

# SEVEN LAKES ENGINEERING SERVICES, INC.

---

204 E. MAIN STREET, ABERDEEN, NC 28315  
TELEPHONE: (910) 638-0965 E-MAIL: 7LAKESENGRG@GMAIL.COM

October 18, 2022

Precision Custom Homes  
120 Gillespie St.  
Fayetteville, NC 28301

Subject: Structural Assessment  
54 Edes Ct.  
Cameron, NC 28326

To whom it may concern,

Seven Lakes Engineering Services, Inc. (SLES) performed an inspection of the subject property on October 13, 2022. The purpose of this inspection was to assess the load bearing wall which is lacking a lug footer. The lug footer is a reinforced footing which is designed to carry the load of the second story floor system.

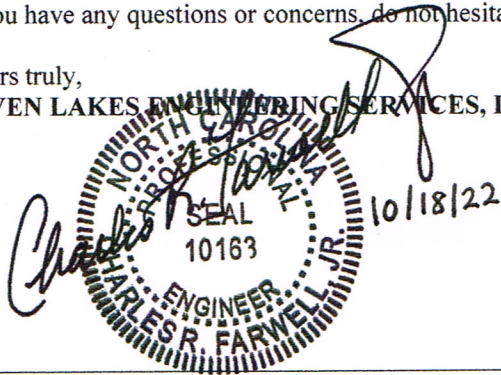
## Summary and Conclusions of Inspection Observations:

Upon inspection of the subject home, SLES noted that the interior load bearing wall between the great room and the bedroom on the first floor is missing a lug footer. The reinforced lug footer is designed to carry the load of the second story floor system. SLES also noted that the sill plate located in the garage is not sitting properly on the concrete slab.

SLES recommends that the second story floor be temporarily supported in order to cut a section of the concrete slab out for the installation of the proposed footer. Please refer to the attached drawing for more details. SLES also recommends that additional concrete be poured in the garage underneath the sill plate in question. Upon addressing both of these items, SLES will certify the repairs.

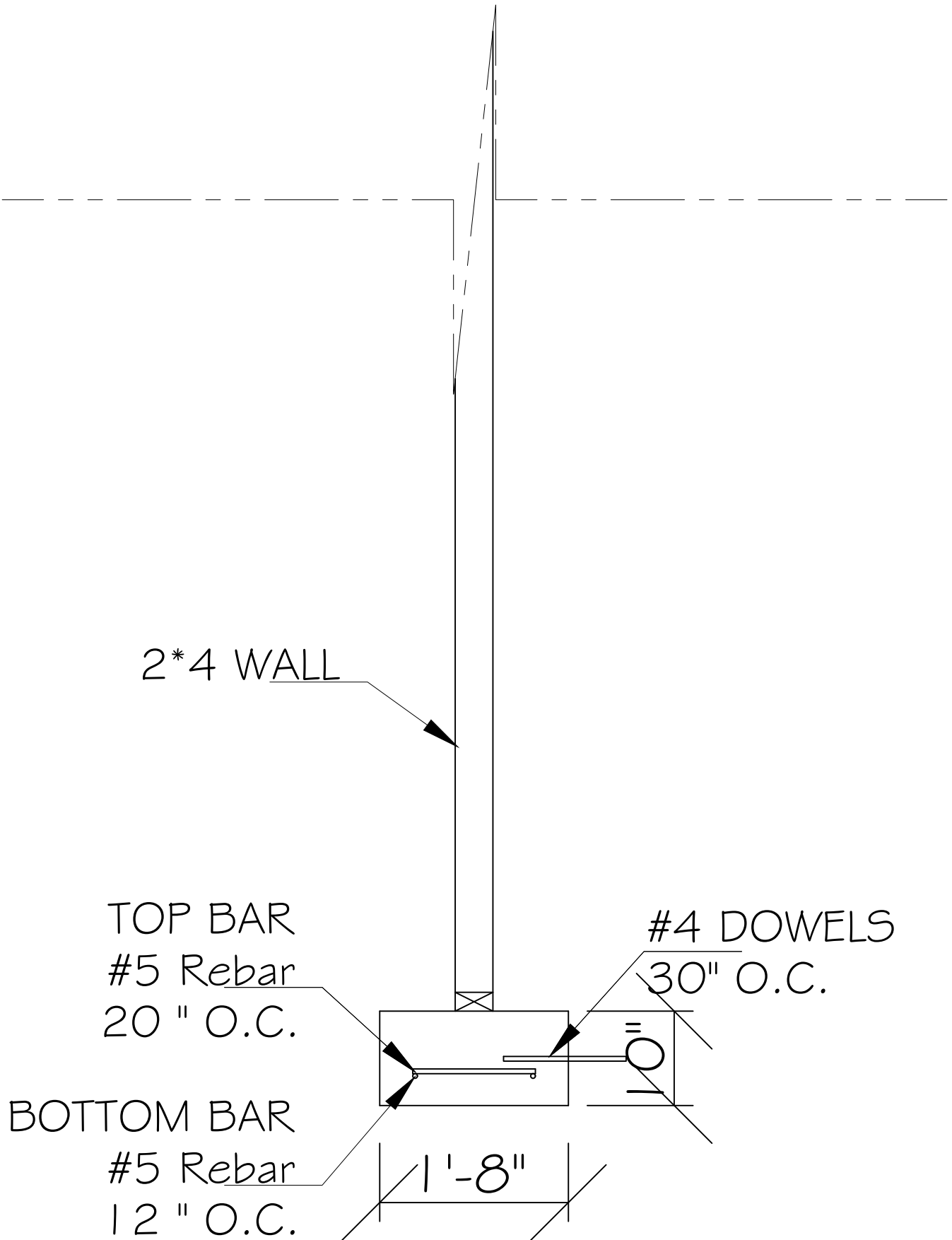
If you have any questions or concerns, do not hesitate to call Shawn at our office.

Yours truly,  
SEVEN LAKES ENGINEERING SERVICES, INC



---

Dr. Charles R. Farwell, Jr. P.E.  
President



2\*4 WALL

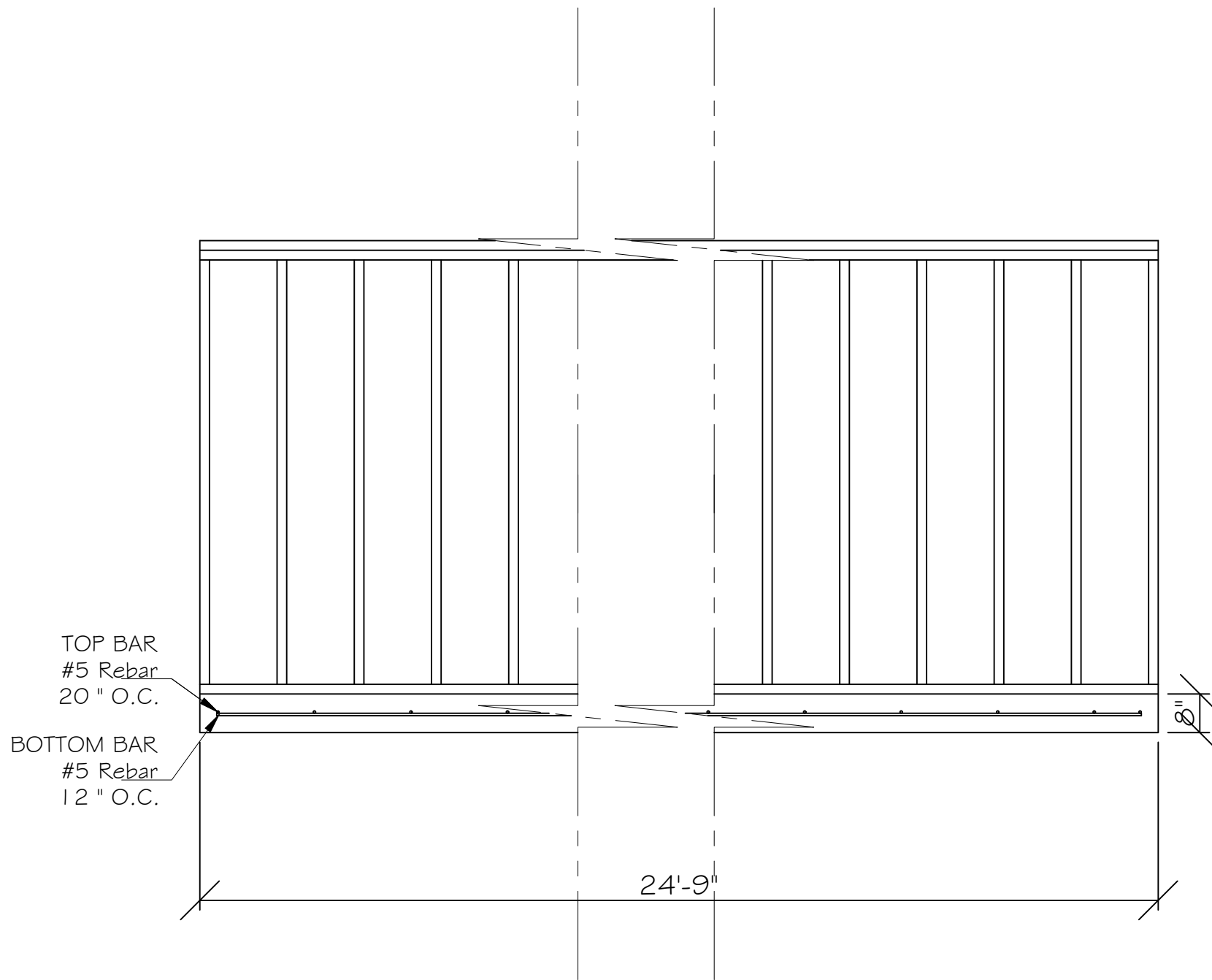
TOP BAR  
#5 Rebar  
20" O.C.

#4 DOWELS  
30" O.C.

BOTTOM BAR  
#5 Rebar  
12" O.C.

1'-8"

# SIDE VIEW



FRONT VIEW