



RESIDENCE OF
**DYLAN
 KOERNER**

Project

MADDEN
 HOME DESIGN

8375 Rushing Road
 Dentham Springs, Louisiana
 70726
 Phone: (225) 791-2912

A | **B** | **D**[®]

Project No.: Hickory Ridge-Mirror
 DATE: MAY 7, 2021
 DRAWN BY: Steven Madden
 DESIGNED BY: Steven Madden

COPYRIGHT NOTE: ©
 These Plans Are Subject To
 Federal Copyright Laws And
 Are To Be Used For The Lot
 Number And Subdivision
 Indicated In This Title Block
 Only. Use On Any Other Site Is
 Prohibited.

© COPYRIGHT 2021

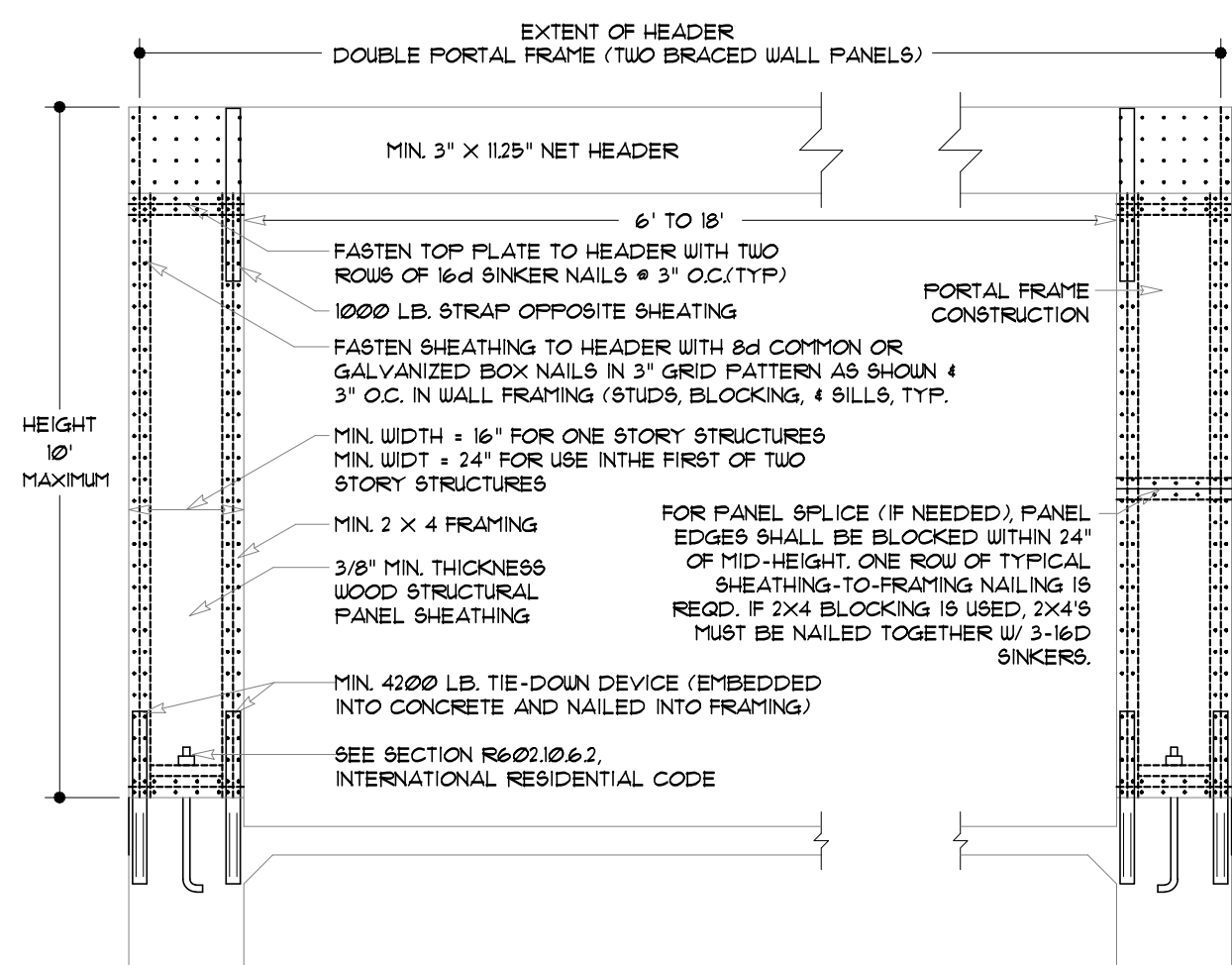
Sheet Title

**COVER
 SHEET**

- Preliminary Dwg.
- Bidding Doc.
- Construction Doc.

Sheet:

MADDEN HOME DESIGN, LLC NOT BEING
 AN ARCHITECTURAL OR ENGINEERING FIRM
 AS SUCH, SHALL NOT BE RESPONSIBLE FOR
 ANY DESIGN OR CONSTRUCTION DEFECTS,
 ERRORS, OMISSIONS, OR NEGLIGENCE,
 WHETHER OR NOT SUCH DEFECTS, ERRORS,
 OMISSIONS, OR NEGLIGENCE ARE CAUSED
 BY THE DESIGN OR CONSTRUCTION OF
 THE PROJECT. THE CONTRACTOR SHALL
 VERIFY ALL DIMENSIONS ARE CORRECT
 AND ENVIRONMENTAL REGULATIONS HAVE
 BEEN MET. IF AN ERROR OR OMISSION
 DOES OCCUR, IT IS THE SOLE
 RESPONSIBILITY OF THE CONTRACTOR
 AND/OR OWNER AT HIS/HER OWN EXPENSE
 AND NOT THE RESPONSIBILITY OF THE
 DRAFTING SERVICE. CONTRACTOR IS RESPONSIBLE FOR
 VERIFICATION OF DIMENSIONS IN THE FIELD
 AND SHALL BUILD HOME IN ACCORDANCE WITH
 THE INTERNATIONAL RESIDENTIAL CODE 2015.



IMPORTANT NOTE:
ALL EGRESS OR RESCUE WINDOWS FROM SLEEPING ROOMS MUST HAVE A MINIMUM NET CLEAR OPENING OF 5.7 SQUARE FEET. GRADE FLOOR WINDOWS MAY HAVE A MINIMUM NET CLEAR OPENING OF 5.9 SQUARE FEET. THE MINIMUM NET CLEAR OPENING HEIGHT SHALL BE 24". THE MINIMUM NET CLEAR OPENING WIDTH SHALL BE 20". MAXIMUM SILL HEIGHT = 44" AFF.

WINDOW SCHEDULE			
MARK	OPENING SIZE	DESCRIPTION	QTY.
A	2'0" x 1'0"	2/2 LITE VINYL SINGLE HUNG WINDOW INSULATED	4
B	2'0" x 6'0"	2/2 LITE VINYL SINGLE HUNG WINDOW INSULATED	2
C	2'0" x 4'0"	4 LITE VINYL FIXED WINDOW INSULATED	1
D	2'0" x 3'6"	2/2 LITE VINYL SINGLE HUNG WINDOW INSULATED	1
E	2'0" x 4'0"	2/2 LITE VINYL SINGLE HUNG WINDOW INSULATED	2
F	4'0" x 4'0"	DBL. & LITE VINYL CASEMENT WINDOW INSULATED	1
G	5'0" x 5'0"	DBL. & LITE VINYL CASEMENT WINDOW INSULATED	1
H	3'0" x 6'0"	2/2 LITE VINYL SINGLE HUNG WINDOW INSULATED	2
J	3'0" x 1'0"	2/2 LITE VINYL SINGLE HUNG WINDOW INSULATED	3

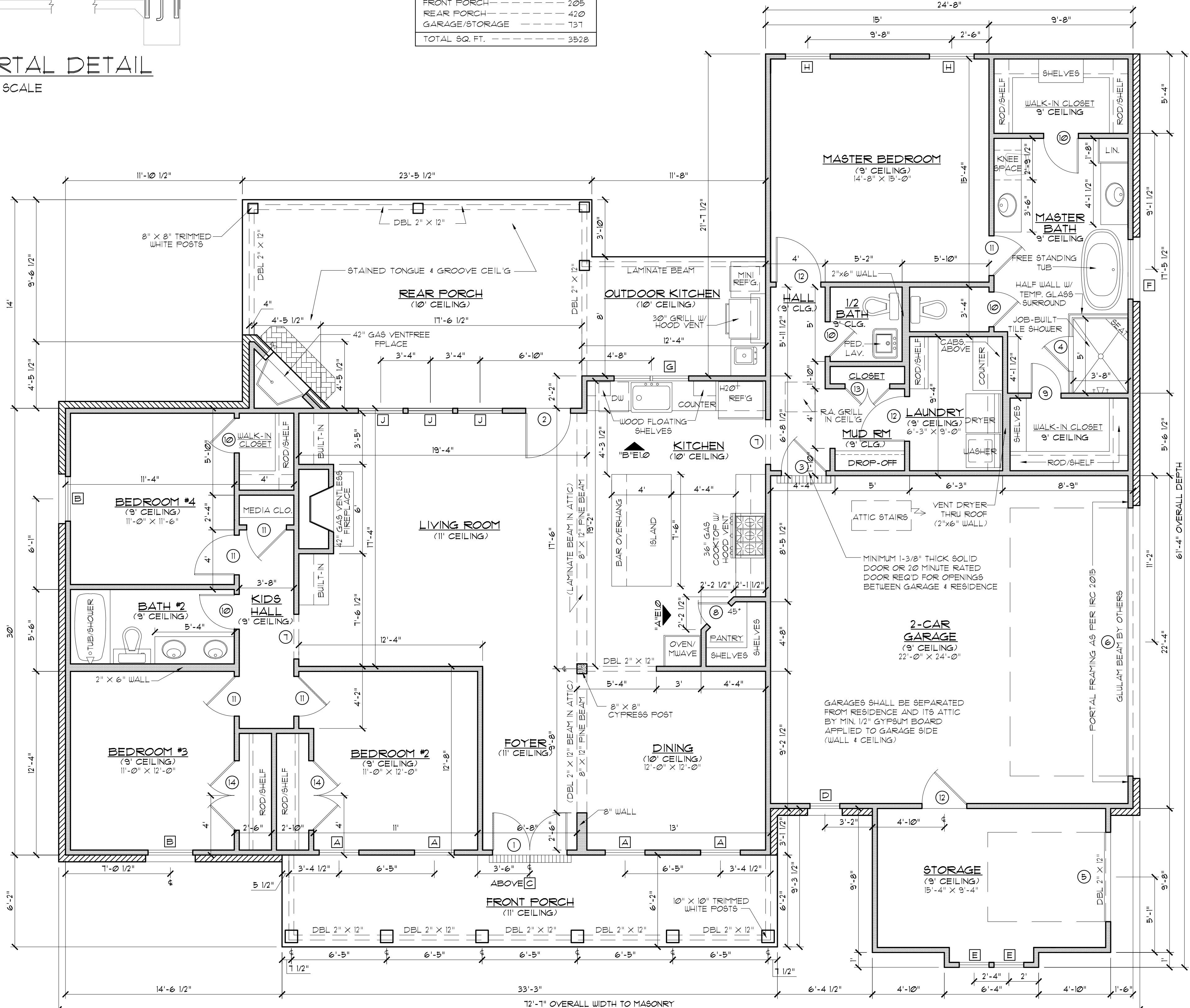
SQUARE FOOTAGE	
LIVING	2166
FRONT PORCH	205
REAR PORCH	420
GARAGE/STORAGE	131
TOTAL SQ. FT.	3528

DOOR SCHEDULE			
MARK	SIZE	DESCRIPTION	QTY.
1	DBL 2'6" x 8'0"	EXTERIOR 4 LITE 3/4 FRENCH SOLID WOOD DOORS	1 PAIR
2	3'0" x 8'0"	EXTERIOR 1 LITE FULL FRENCH WOOD DOOR	1
3	3'0" x 8'0"	EXTERIOR 6 PANEL METAL DOOR	1
4	2'0" x 8'0"	TEMPERED FRAMELESS GLASS SHOWER DOOR	1
5	6'0" x 8'0"	EXTERIOR OVERHEAD METAL ROLL-UP GARAGE DOOR	1
6	18'0" x 8'0"	EXTERIOR OVERHEAD METAL GARAGE DOOR W/ OPENER	1
7	3'0" x 8'0"	CASED OPENING	2
8	2'0" x 8'0"	INTERIOR HORIZONTAL 6 PANEL H.C. MASONITE DOOR	1
9	2'0" x 6'8"	INTERIOR HORIZONTAL 6 PANEL H.C. MASONITE DOOR	1
10	2'4" x 6'8"	INTERIOR HORIZONTAL 6 PANEL H.C. MASONITE DOOR	5
11	2'8" x 6'8"	INTERIOR HORIZONTAL 6 PANEL H.C. MASONITE DOOR	5
12	3'0" x 6'8"	INTERIOR HORIZONTAL 6 PANEL H.C. MASONITE DOOR	3
13	DBL 1'6" x 6'8"	INTERIOR HORIZONTAL 6 PANEL H.C. MASONITE DOORS	1 PAIR
14	DBL 2'4" x 6'8"	INTERIOR HORIZONTAL 6 PANEL H.C. MASONITE DOORS	2 PAIR

GENERAL NOTES:

- ALL KITCHEN AND UTILITY COUNTERTOPS ARE SHOWN AS 2'-0" WIDE UNLESS STATED OTHERWISE.
- ALL BATHROOM LAVATORY COUNTERTOPS SHOWN AS 1'-10" WIDE.
- ALL EXTERIOR OVERALL DIMENSIONS ARE FROM EDGE OF FOUNDATION.
- ALL INTERIOR DIMENSIONS ARE FROM STUD FACE TO STUD FACE.
- ALL INTERIOR WALL THICKNESS SHOWN AS 4" UNLESS NOTED OTHERWISE.
- THE CONTRACTOR SHALL VERIFY ALL DIMENSIONS BEFORE COMMENCING WORK.
- BRICK VENEER WALL TIES (MAX 24" O.C. EACH WAY)
- PURCHASER OF THIS PLAN ASSUMES LIABILITY FOR ANY MODIFICATIONS MADE TO THE LAYOUT OF THIS PLAN.
- ALL WOOD FRAMING SHALL BE NO. 2 GRADE - SOUTHERN PINE LUMBER. ALL CEILING JOISTS SPANS ARE BASED ON TABLE R301.4(2) OF THE IRC 2015 AND ARE DESIGNED FOR ATTIC'S WITH LIMITED STORAGE. (REFER TO FOUNDATION SHEET FOR SPANS)
- RE: SEC. 308 GLAZING IN HAZARDOUS LOCATIONS 4 TEMPERED GLASS FOR WINDOWS THAT ARE WITHIN 24" OF THE DOOR IN THE CLOSED POSITION, PROVIDING THE WINDOW IS LESS THAN 60" ABOVE THE FLOOR. (R308 I.R.C. 2015)
- MASONRY VENEER SHALL BE ANCHORED TO THE SUPPORTING WALL WITH CORROSION-RESISTANT METAL TIES SPACED NOT MORE THAN 24" ON CENTER HORIZONTALLY AND VERTICALLY AND SHALL SUPPORT NOT MORE THAN 2.61 SQ. FEET OF WALL PER SECTION R103.14.1
- VENT HOOD IN KITCHEN MUST VENT TO THE OUTSIDE. MICROVAPE HOODS MUST VENT TO THE OUTSIDE WHERE APPLICABLE.
- DRYER VENT MUST HAVE MAX LENGTH 25'
- ATTIC SPACES MUST PROVIDE 1 SQ. FT. VENTILATION PER 150 SQ. FT. OF AREA UNLESS CONDITIONED SPACE. (ATTIC'S R306)

GARAGE PORTAL DETAIL
NOT TO SCALE



PROTECTION AGAINST TERMITES:

- SUBTERRANEAN TERMITE CONTROL. IN AREAS FAVORABLE TO TERMITE DAMAGE METHODS OF PROTECTION SHALL BE BY CHEMICAL SOIL TREATMENT, PRESSURE-TREATED WOOD, NATURALLY TERMITE RESISTANT WOOD OR PHYSICAL BARRIERS (SUCH AS METAL OR PLASTIC TERMITE SHIELDS), OR ANY COMBINATION OF THESE METHODS.
- CHEMICAL SOIL TREATMENT. THE CONCENTRATION, RATE OF APPLICATION AND TREATMENT METHOD OF THE TERMITICIDE LABEL.
- PRESSURE-TREATED AND NATURALLY RESISTANT WOOD. HEARTWOOD OF REDWOOD AND EASTERN RED CEDAR SHALL BE CONSIDERED TERMITE RESISTANT. PRESSURE-TREATED WOOD AND NATURALLY TERMITE RESISTANT WOOD SHALL NOT BE USED AS A PHYSICAL BARRIER UNLESS A BARRIER CAN BE INSPECTED FOR ANY TERMITE SHELTER TUBES AROUND THE INSIDE AND OUTSIDE EDGES AND JOINTS OF A BARRIER.
- FIELD TREATMENT. FIELD CUT ENDS, NOTCHES, AND DRILLED HOLES OF PRESSURE-TREATED WOOD SHALL BE RETREATED IN THE FIELD ACCORDING TO AWPFA M4.

GENERAL MATERIALS:

- EXTERIOR WALLS:
 - BRICK VENEER
 - REINFORCED CEMENTITIOUS SIDING
 - 1" TYVEK BUILDING WRAP
 - 1/2" OSB SHEATHING
 - R-13 BATT INSULATION
 - 2X4 STUDS @ 1'-4" O.C.
 - 1/2" GYPSUM BOARD INTERIOR
- INTERIOR WALLS:
 - 2X4 STUDS @ 1'-4" O.C.
 - 1/2" GYPSUM BOARD ON BOTH SIDES
- CEILING:
 - 2X JOISTS @ 1'-4" O.C.
 - R-38 INSULATION
 - 1/2" GYPSUM BOARD
- ROOF SYSTEM:
 - 30 YEAR FIBERGLASS SHINGLES
 - 5/8" OSB OR CDX PLYWOOD
 - STANDING SEAM METAL ROOF
 - 5" FELT
 - 2X6 RAFTERS @ 2'0" O.C.

NOTE: ALL ROOFING PRODUCTS, MATERIALS AND INSTALLATION, SHALL COMPLY WITH THE REQUIREMENTS UNLESS CHANGED BY GENERAL CONTRACTOR AT OWN DISCRETION.

WIND ZONE NOTES

- VERIFY WINDOW CODE REQUIREMENTS AT EACH BUILDING LOCATION, AND INSTALL WINDOWS AS PER CODE. REQUIREMENTS WILL VARY FROM DOUBLE INSULATED VINYL TO IMPACT RESISTANT DOUBLE INSULATED VINYL WINDOWS.
- ALL WINDOWS SHALL COMPLY WITH THE GOVERNING IRC/IBC. WINDOWS SHALL BE SELECTED BASED UPON THE COMPONENT AND CLADDING DESIGN PRESSURES.
- CONTRACTOR RESPONSIBLE FOR ANCHORAGE OF BOTTOM PLATE AND WALL STUDS TO FOUNDATION IN COMPLIANCE WITH THE GOVERNING EDITION OF IRC/IBC 1609.

HEADER SPANS FOR LOAD BEARING WALLS:

- SINGLE STORY:**
- 2 PLY 2"x6" 4'-2" MAX
 - 2 PLY 2"x8" 5'-4" MAX
 - 2 PLY 2"x10" 7'-6" MAX
- 2 STORY:**
- 2 PLY 2"x6" 3'X1" MAX
 - 2 PLY 2"x8" 4'X6" MAX
 - 2 PLY 2"x10" 6'X2" MAX
- 2 PLY 2X6 HEADERS FOR ALL NON-LOAD BEARING WALLS
- OSB BETWEEN ALL HEADER PLIES
- NO BOXED HEADERS

NOTE:
ROOF OVERHANG ON NEW CONSTRUCTION TYPICAL 18" FROM FACE OF STUD UNLESS OTHERWISE NOTED.

GENERAL CONTRACTOR TO PROVIDE ADEQUATE ROOF VENTILATION BUILDING SYSTEMS PER IRC CODE (SECTION R306). SYSTEMS TO BE USED TO MEET ROOF VENTILATION REQUIREMENTS ARE AS FOLLOWS: CONTINUOUS RIDGE VENTS, POWER VENTS, BOX VENTS, AND GABLE/DORMER VENTS WHEN APPROVED BY OWNER.

SOFFIT VENTS TO BE USED ONLY IN ACCORDANCE W/ IRC CODE (SECTION R302 AND TABLE R302.1) TO ACCOMMODATE APPROPRIATE FIRE SEPARATION DISTANCES.

REFER TO IRC R302.5 (1) AND (2) FOR ADDITIONAL HEADER AND GIRDER SPANS

FLOOR PLAN
SCALE: 1/4" = 1'-0"

MADDEN HOME DESIGN, LLC NOT BEING AN ARCHITECTURAL OR ENGINEERING FIRM. THIS PLAN IS NOT TO BE USED FOR CONSTRUCTION WITHOUT THE SIGNATURE OF AN ARCHITECT OR ENGINEER. EVERY EFFORT HAS BEEN MADE TO INSURE ALL DIMENSIONS ARE CORRECT AND ENVIRONMENTAL REGULATIONS HAVE BEEN MET. IF AN ERROR OR OMISSION DOES OCCUR IT IS THE SOLE RESPONSIBILITY OF THE CONTRACTOR AND/OR OWNER AT THIS OWN EXPENSE. MADDEN HOME DESIGN, LLC IS NOT PROVIDING SERVICE OR RESPONSIBILITY OF THE CONTRACTOR. CONTRACTOR IS RESPONSIBLE FOR VERIFICATION OF DIMENSIONS IN THE FIELD AND SHALL BUILD HOME IN ACCORDANCE WITH THE INTERNATIONAL RESIDENTIAL CODE 2015.

RESIDENCE OF
DYLAN KOERNER

Project

MADDEN HOME DESIGN

8375 Rushing Road
Dentham Springs, Louisiana
70726
Phone: (225) 791-2912

A B D

Project No.: Hickory Ridge-Mirror

DATE: MAY 7, 2021

DRAWN BY: Steven Madden

DESIGNED BY: Steven Madden

COPYRIGHT NOTE: © These Rights Are Subject To Federal Copyright Laws And Are To Be Used For The Lot Number And Subdivision Indicated In This Title Block Only. Use On Any Other Site Is Prohibited.

© COPYRIGHT 2021

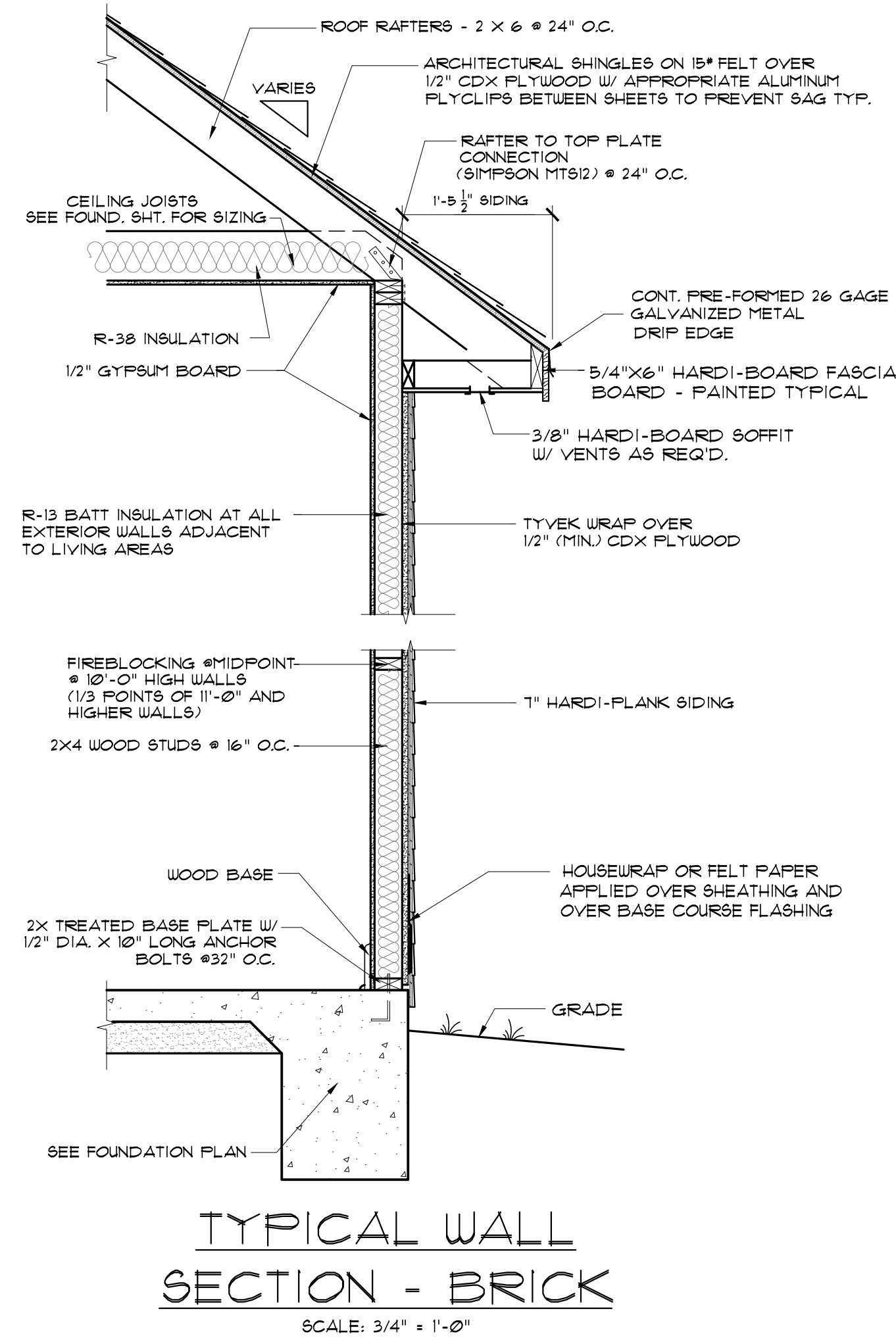
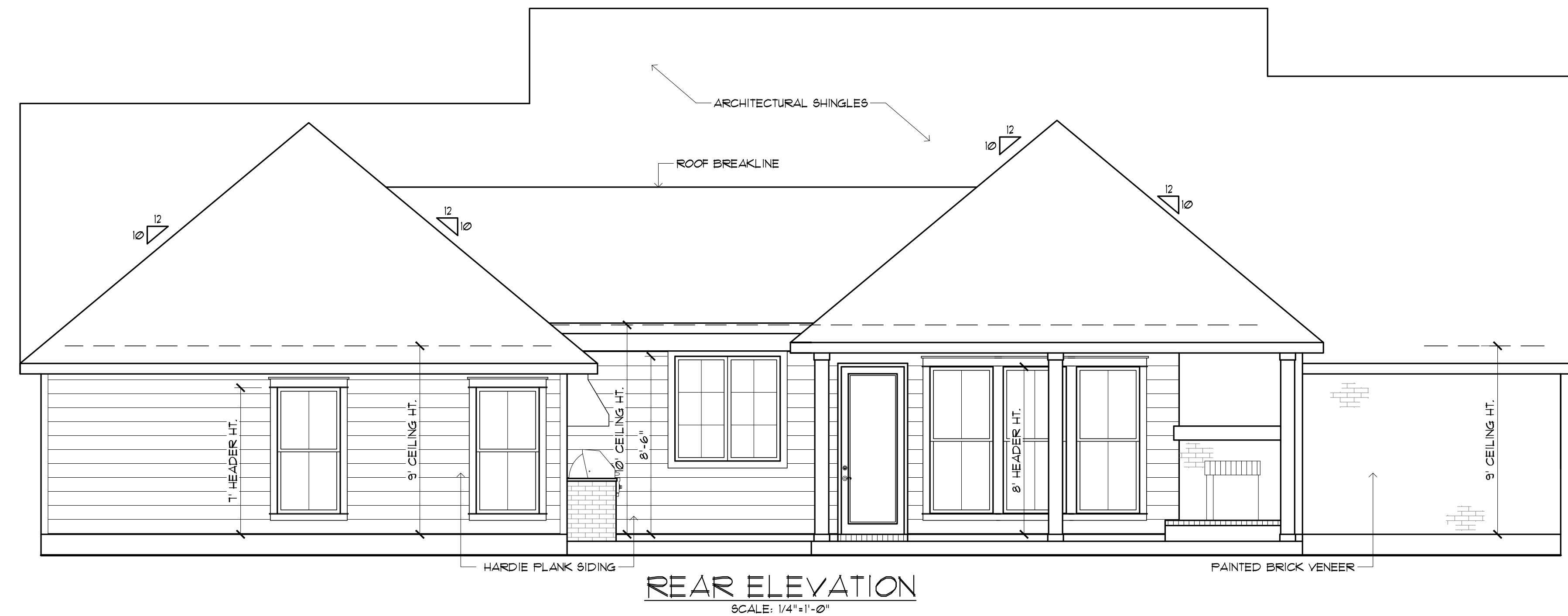
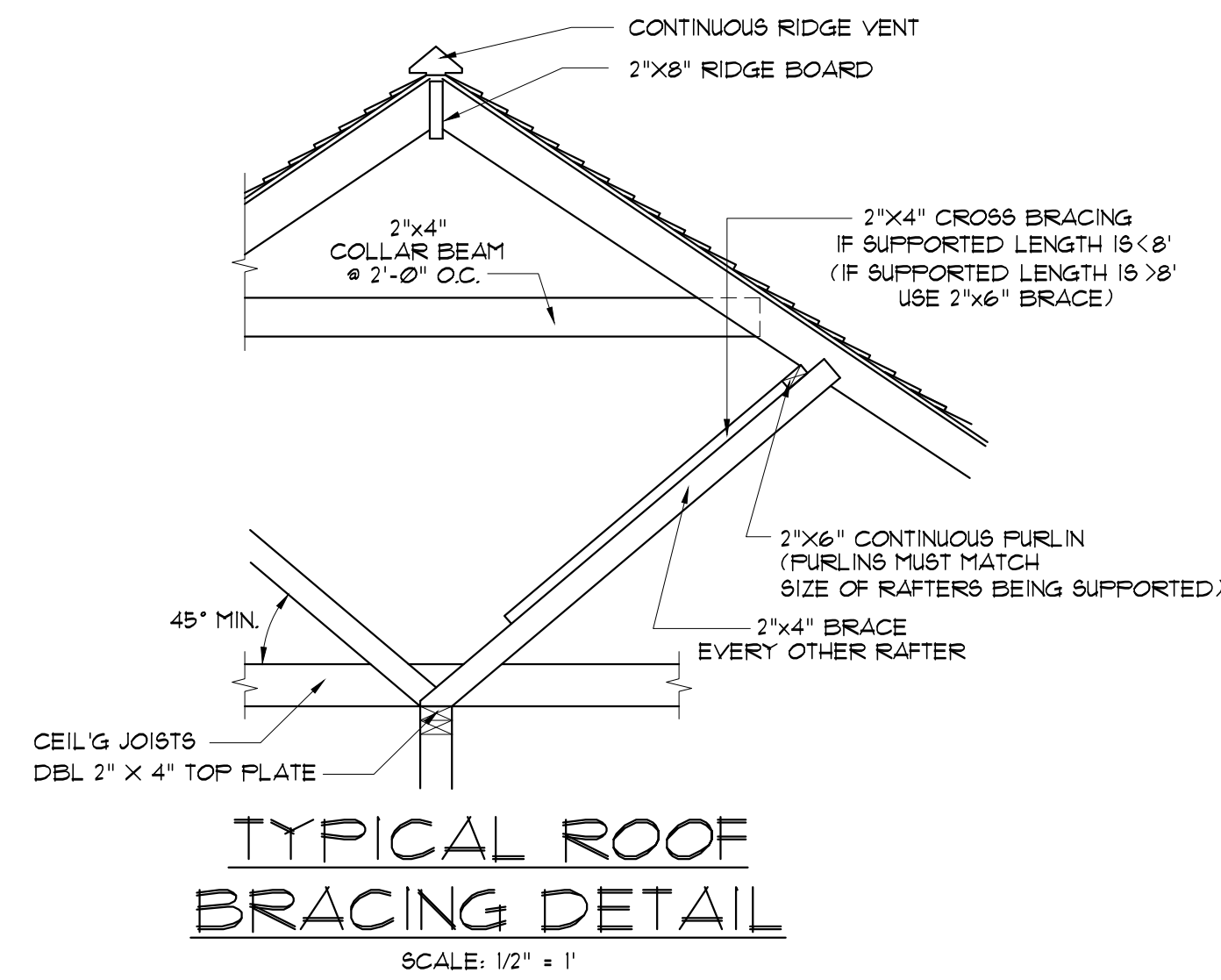
Sheet Title

FLOOR PLAN

Sheet:

□ Preliminary Dwg.
□ Bidding Doc.
□ Construction Doc.

A1.0



MADDEN HOME DESIGN, LLC NOT BEING AN ARCHITECTURAL OR ENGINEERING FIRM, DOES NOT GUARANTEE OR WARRANT THE ACCURACY OF THESE PLANS. THE DESIGNER ASSUMES NO LIABILITY FOR ANY CONSTRUCTION DEFECTS OR OMISSIONS. EVERY EFFORT HAS BEEN MADE TO INSURE ALL DIMENSIONS ARE CORRECT AND ENVIRONMENTAL REGULATIONS HAVE BEEN MET. IF AN ERROR OR OMISSION DOES OCCUR, IT IS THE SOLE RESPONSIBILITY OF THE CONTRACTOR AND/OR OWNER AT HIS OWN EXPENSE AND WITHOUT LIABILITY OF THE DRAFTING SERVICE. CONTRACTOR IS RESPONSIBLE FOR VERIFICATION OF DIMENSIONS IN THE FIELD AND SHALL BUILD HOME IN ACCORDANCE WITH THE INTERNATIONAL RESIDENTIAL CODE 2015.

RESIDENCE OF
DYLAN KOERNER

Project

MADDEN HOME DESIGN
8375 Rushing Road
Denham Springs, Louisiana 70726
Phone: (225) 791-2912

A B D

Project No.: Hickory Ridge-Mirror
DATE: MAY 7, 2021
DRAWN BY: Steven Madden
DESIGNED BY: Steven Madden

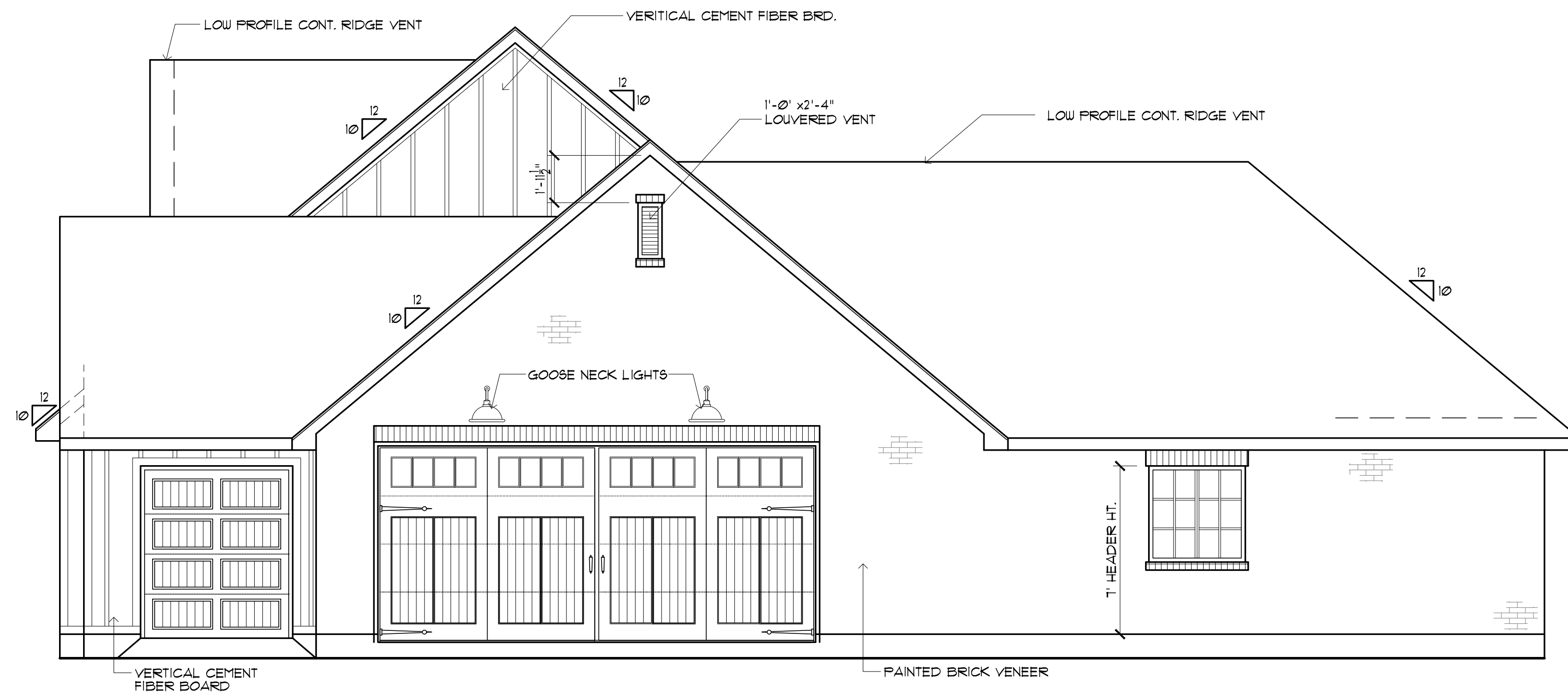
COPYRIGHT NOTE: © These Plans Are Subject To Federal Copyright Laws And Are To Be Used For The Lot Number And Subdivision Indicated In This Title Block Only. Use On Any Other Site Is Prohibited.

© COPYRIGHT 2021 9091
Sheet Title

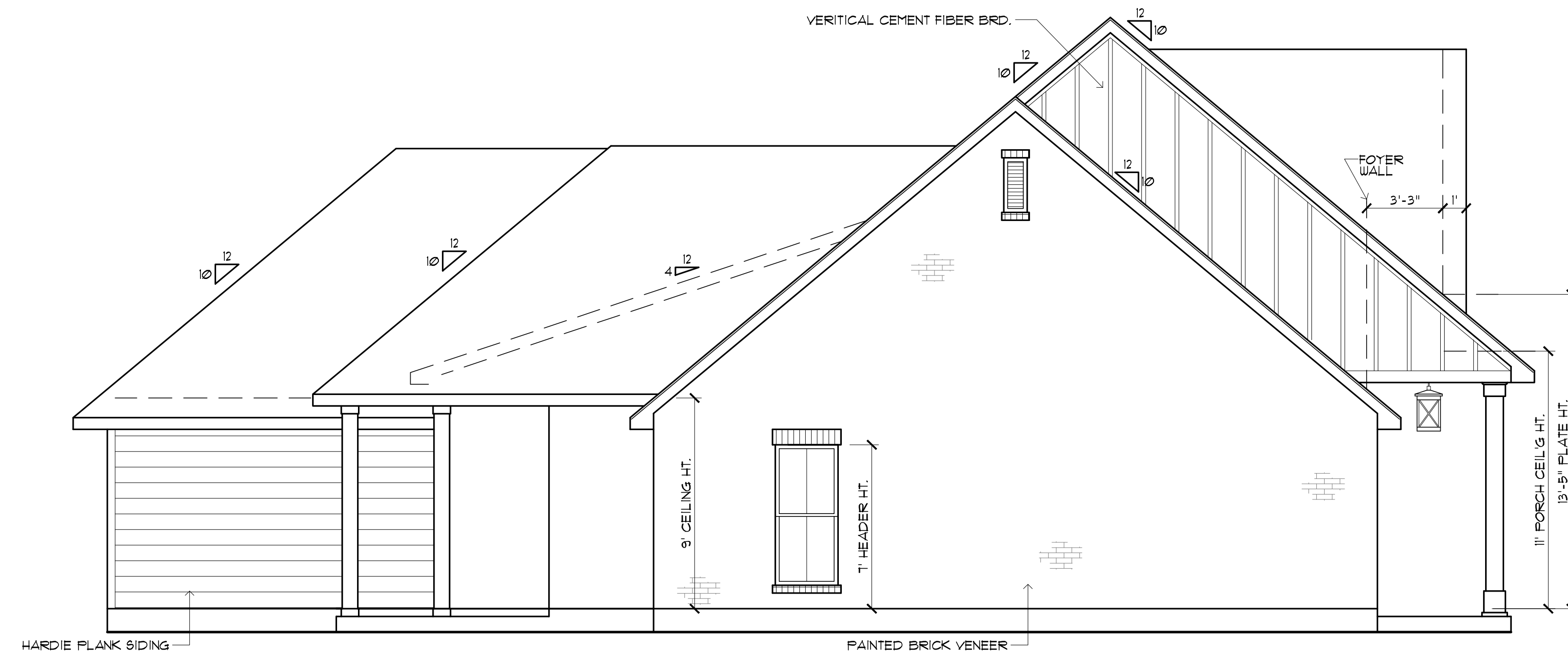
FRONT & REAR ELEVATIONS

Sheet:
 Preliminary Dwg.
 Bidding Doc.
 Construction Doc.

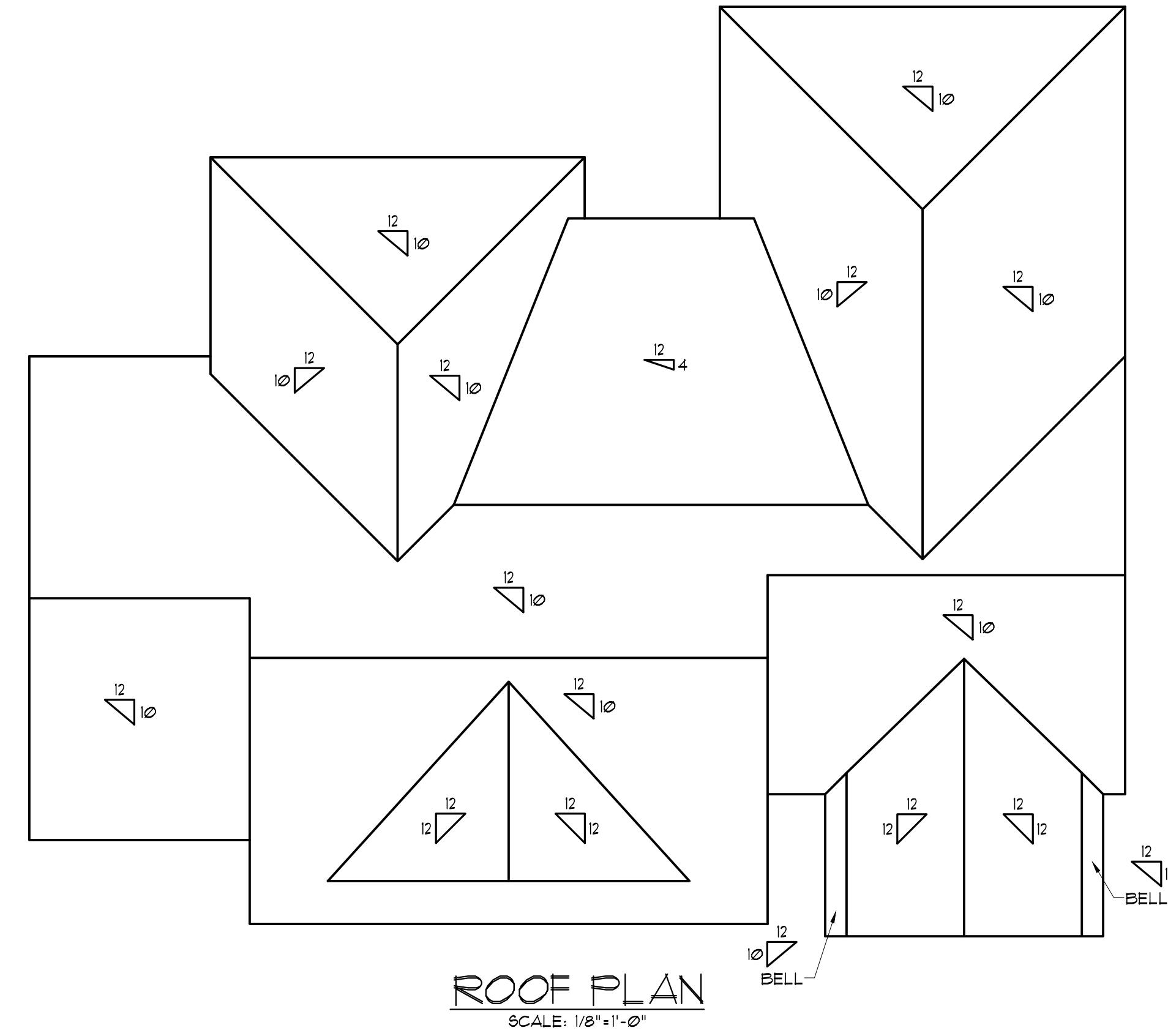
A2.0



RIGHT SIDE ELEVATION
 SCALE: 1/4"=1'-0"



LEFT SIDE ELEVATION
 SCALE: 1/4"=1'-0"



MADDEN HOME DESIGN, LLC NOT BEING AN ARCHITECTURAL OR ENGINEERING FIRM AS SUCH, SHALL NOT BE RESPONSIBLE FOR ANY CONSTRUCTION DEFECTS OR INADEQUACIES. EVERY EFFORT HAS BEEN MADE TO INSURE ALL DIMENSIONS ARE CORRECT AND ENVIRONMENTAL REGULATIONS HAVE BEEN MET. IF AN ERROR OR OMISSION DOES OCCUR, IT IS THE SOLE RESPONSIBILITY OF THE CONTRACTOR AND/OR ARCHITECT AT HIS OWN EXPENSE AND/OR OMISSION. THE CONTRACTOR SHALL BE RESPONSIBLE FOR VERIFICATION OF DIMENSIONS IN THE FIELD AND SHALL BUILD HOME IN ACCORDANCE WITH THE INTERNATIONAL RESIDENTIAL CODE 2015.

RESIDENCE OF
DYLAN KOERNER

Project

MADDEN HOME DESIGN
 8375 Rushing Road
 Dentham Springs, Louisiana
 70726
 Phone: (225) 791-2912

A B D

Project No.: Hickory Ridge-Mirror
 DATE: MAY 7, 2021
 DRAWN BY: Steven Madden
 DESIGNED BY: Steven Madden

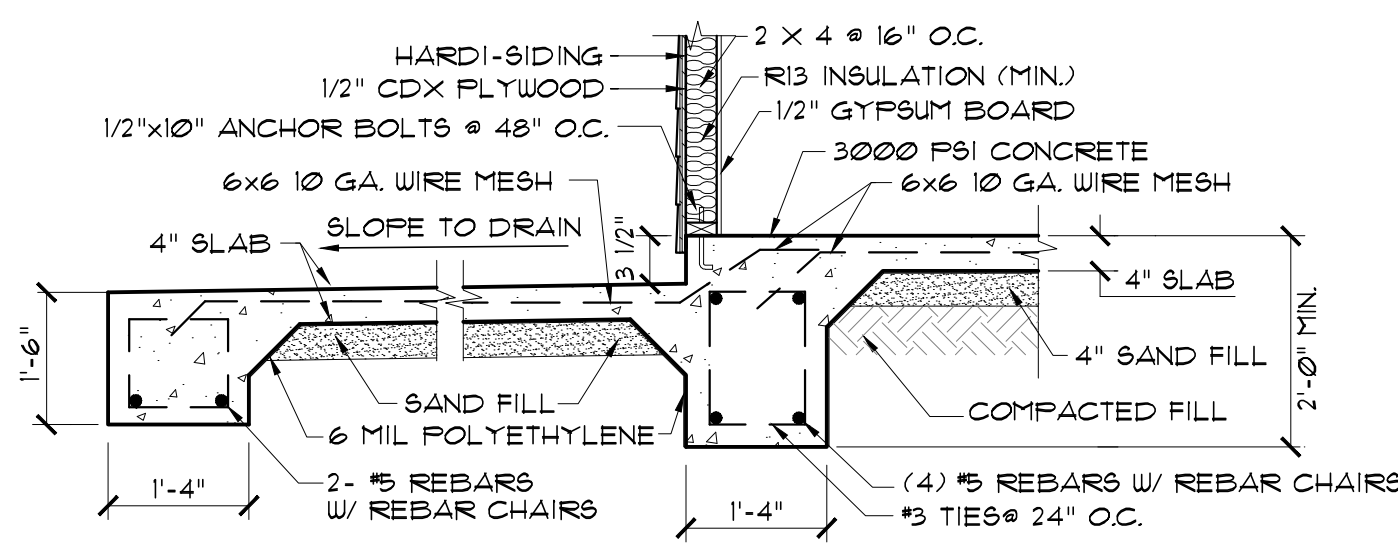
COPYRIGHT NOTE: © These Plans Are Subject To Federal Copyright Laws And Are To Be Used For The Lot Number And Subdivision Indicated In This Title Block Only. Use On Any Other Site Is Prohibited.

© COPYRIGHT 2021

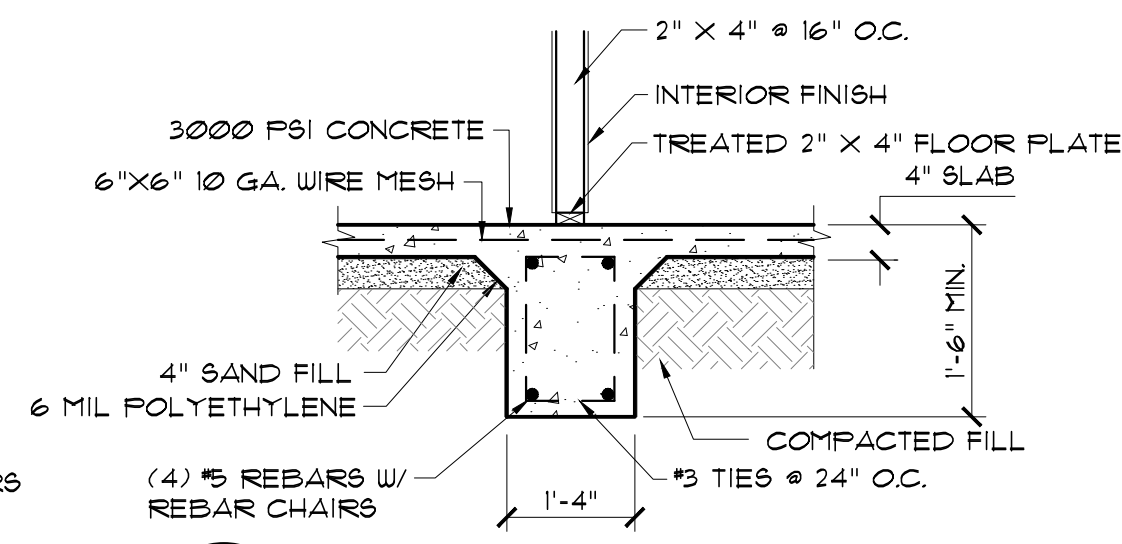
Sheet Title
ELEVATIONS & ROOF PLAN

Sheet:
 Preliminary Dwg.
 Bidding Doc.
 Construction Doc.

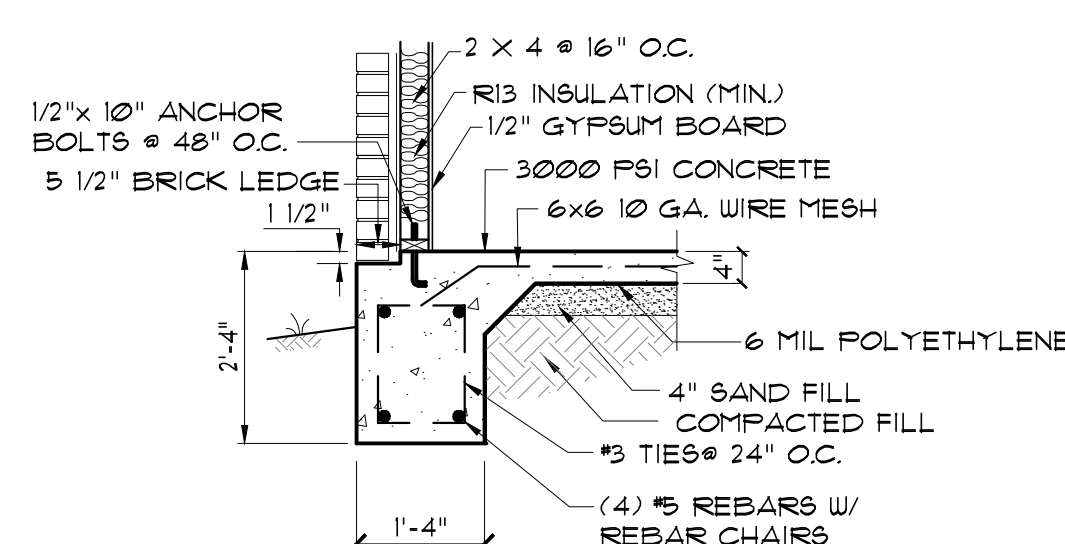
A3.0



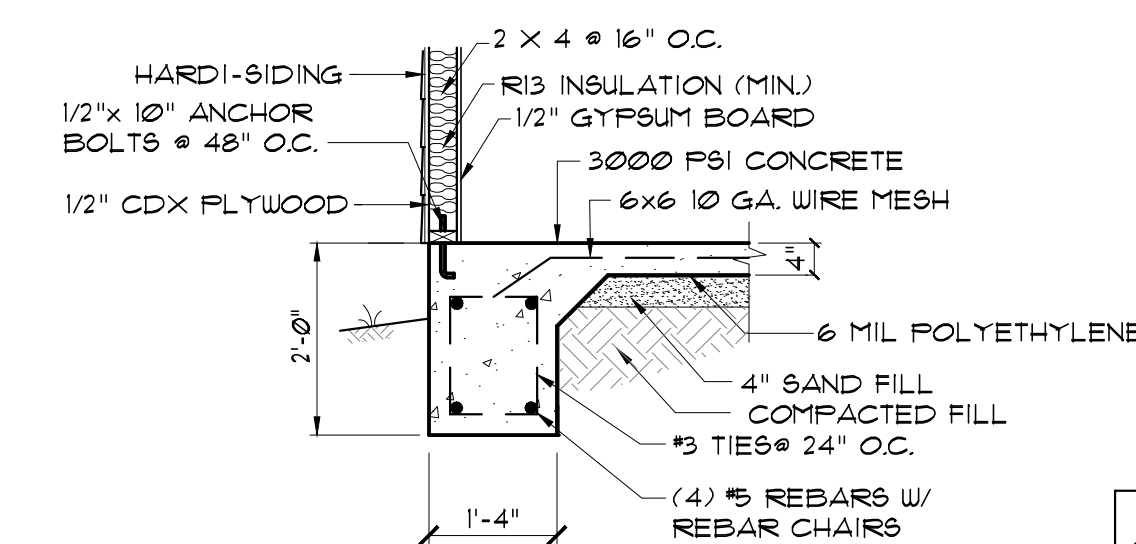
1 COVERED PORCH FOOTING
SCALE: 1/2" = 1'
SIDING EXT. WALL



2 INTERIOR GRADE BEAM
SCALE: 1/2" = 1'



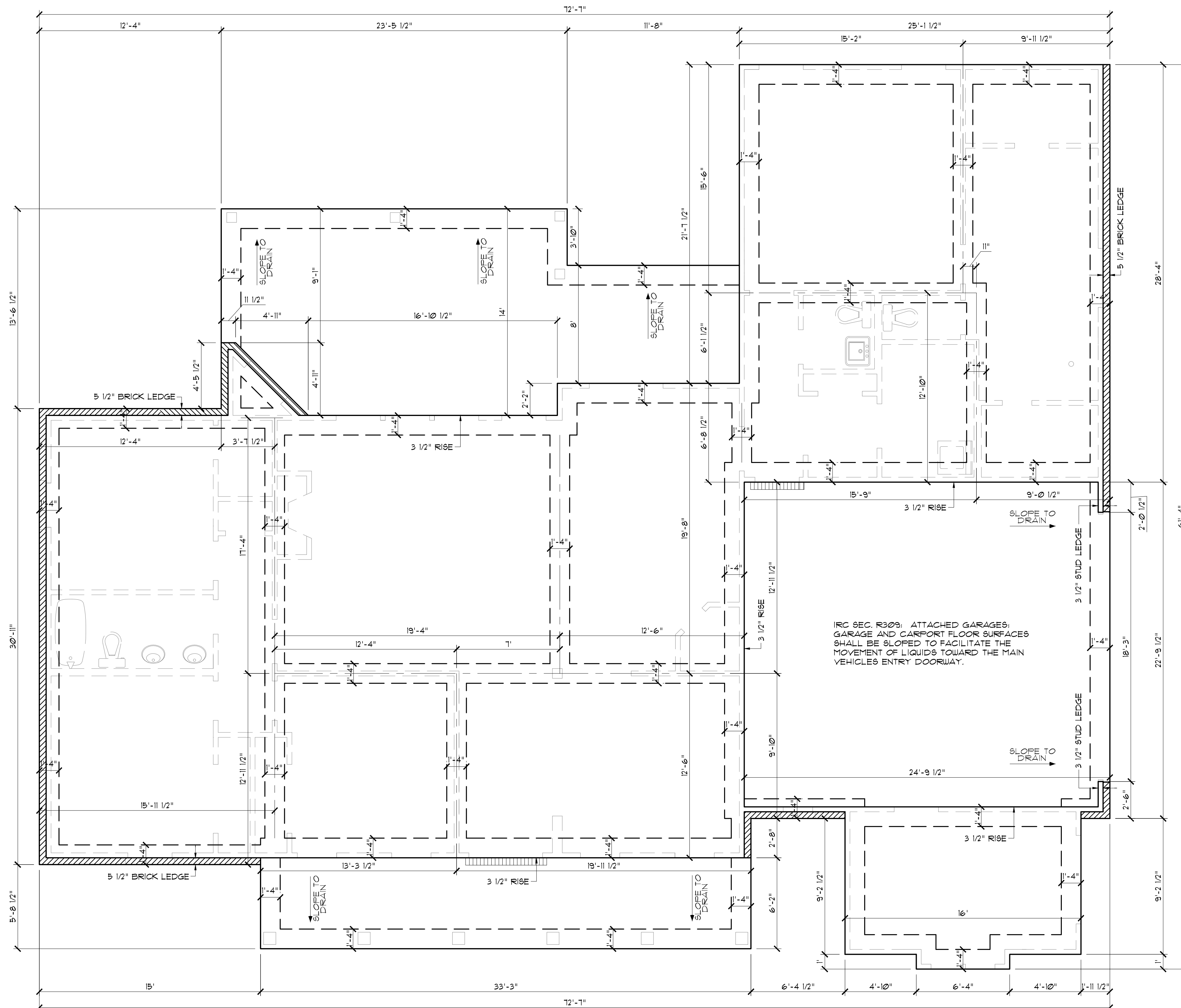
3 BRICK EXTERIOR GRADE BEAM
SCALE: 1/2" = 1'



4 HARDI EXTERIOR GRADE BEAM
SCALE: 1/2" = 1'

NOTE:
ALL EXTERIOR GRADE BEAMS TO EXTEND BELOW UNDISTURBED SOIL A MINIMUM OF 12".

NOTE:
THIS GENERIC FOUNDATION PLAN IS DESIGNED FOR NON EXPANSIVE SOILS WITH A BEARING CAPACITY OF AT LEAST 2500 PSF. MADDEN HOME DESIGN IS NOT AN ENGINEER AND RECOMMENDS THAT A PROFESSIONAL ENGINEER BE CONSULTED FOR YOUR SPECIFIC LOT AS THE DESIGNER HAS NOT BEEN PROVIDED ANY INFORMATION BY THE CLIENT REGARDING THE BEARING CAPACITY OF THE SOILS FOR THIS LOT AND ASSUMES NO RESPONSIBILITY FOR THE STRUCTURAL PERFORMANCE OF THIS DESIGN.



FOUNDATION PLAN
SCALE: 1/4" = 1'-0"

CONCRETE NOTES:

- REFER TO BUILDING PLANS FOR DOOR OPENINGS AND EXACT DIMENSIONS.
- USE CONCRETE BRICK SUPPORTS TO MAINTAIN REINFORCING CLEARANCES. DO NOT USE CMU OR FACE BRICK.
- FOUNDATION DESIGN BASED ON 4-4 FILL DIRT COMPACTED TO 95% DENSITY (ASTM D-1557). FILL PLACED @ 8" MAX. LIFTS.
- ALL CONCRETE SHALL DEVELOP 3000 PSI COMPRESSIVE STRENGTH @ 28 DAYS. PLACE CONCRETE W/ MAXIMUM SLUMP OF 6". PROVIDE SLUMP TEST AND CYLINDERS AT BEGINNING AND MIDPOINT OF POUR.
- GRADE 40 DEFORMED REINFORCING.
- ASTM-105 WUF REINFORCING.
- APPLY A LIQUID MEMBRANE CURING CHEMICAL TO ALL CONCRETE SURFACES IN ACCORDANCE WITH MANUFACTURERS RECOMMENDATIONS. W.R. GRACE PRODUCT OR EQUAL.
- CONTRACTOR SHALL COORDINATE ALL DOOR LOCATIONS AND OMIT NOTCHES ACCORDINGLY.
- 2" CLEARANCE FOR REBAR SIDES AND BOTTOM.
- MINIMUM SLAB THICKNESS SHALL BE 4" ON HOUSE AND ANY SIDEWALKS INCLUDING DRIVEWAY.
- FINISH GRADE TO SLOPE AWAY FROM THE HOUSE.
- REFER TO ELECTRICAL PLAN FOR IN-SLAB WIRING AND OUTLET REQUIREMENTS.
- CONTRACTOR SHALL EXCAVATE ALL FOOTINGS TO SOLID, UNDISTURBED SOIL.
- SLABS AND FOOTINGS SHALL BE PLACED MONOLITHICALLY IN A CONTINUOUS POUR. CONSTRUCTION JOINTS FOR THE PURPOSE OF POUR INTERRUPTION SHALL NOT BE ALLOWED WITHOUT PRIOR APPROVAL BY THE OWNER.
- ALL DRIVEWAY POURS SHALL HAVE THE PROPER CONSTRUCTION AND CONTROL JOINTS AT A DISTANCE NO GREATER THAN 15' WITH A JOINT DOWN THE CENTER. RADIUS BENDS SHALL HAVE A CONTROL JOINT AT THE CENTER OF THEM.

SITE PREPARATION NOTES:

- REMOVE TOP SOIL (8" TO 12") AND DELETERIOUS MATERIAL.
- PROOF ROLL SUBBASE WITH A LOADED 18 YARD DUMP TRUCK. REMOVE ALL "PUMPING AREAS."

FOUNDATION AND SITE WORK NOTES:

- CHECK ELECTRICAL PLAN FOR ANY CONDUIT OR FLOOR RECEPTACLES.
- TERMITE TREAT THE SOIL PRIOR TO POURING CONCRETE AND RETAIN CERTIFICATE FOR OWNER.
- GRADE LOT TO DRAIN AWAY FROM THE FOUNDATION A MINIMUM OF 6 INCHES IN THE FIRST 10 FEET.
- CARPORT AND FRONT PORCH BEAMS ARE NOT SHOWN FOR CLARITY PURPOSES.
- CONTRACTOR SHALL EXCAVATE ALL FOOTINGS TO SOLID, COMPACTED, UNDISTURBED FILL MEETING 90% MODIFIED PROCTOR AS TESTED.
- ALL WELDED WIRE FABRIC SHALL BE 6x6 10/10 WUF.
- POLYETHYLENE VAPOR BARRIER SHALL BE 6 MIL THICKNESS.

MADDEN HOME DESIGN, LLC NOT BEING AN ARCHITECTURAL OR ENGINEERING FIRM, DOES NOT GUARANTEE OR WARRANT ANY OF THE INFORMATION CONTAINED HEREIN. EVERY EFFORT HAS BEEN MADE TO INSURE ALL DIMENSIONS ARE CORRECT AND ENVIRONMENTAL REGULATIONS HAVE BEEN MET. IF AN ERROR OR OMISSION DOES OCCUR, IT IS THE SOLE RESPONSIBILITY OF THE CONTRACTOR AND/OR SUBSIDIARIES AT HIS OWN EXPENSE AND THE CONTRACTOR SHALL BE RESPONSIBLE FOR VERIFYING ALL DIMENSIONS IN THE FIELD AND SHALL BUILD HOME IN ACCORDANCE WITH THE INTERNATIONAL RESIDENTIAL CODE 2015.

RESIDENCE OF
DYLAN KOERNER

Project

MADDEN HOME DESIGN
8375 Rushing Road
Denham Springs, Louisiana 70726
Phone: (225) 791-2912

A B D

Project No.: Hickory Ridge-Mirror

DATE: MAY 7, 2021

DRAWN BY: Steven Madden

DESIGNED BY: Steven Madden

COPYRIGHT NOTE: © These Plans Are Subject To Federal Copyright Laws And Are To Be Used For The Lot Number And Subdivision Indicated In This Title Block Only. Use On Any Other Site Is Prohibited.

© COPYRIGHT 2021

Sheet Title

FOUNDATION PLAN

Sheet:

- Preliminary Dwg.
- Bidding Doc.
- Construction Doc.

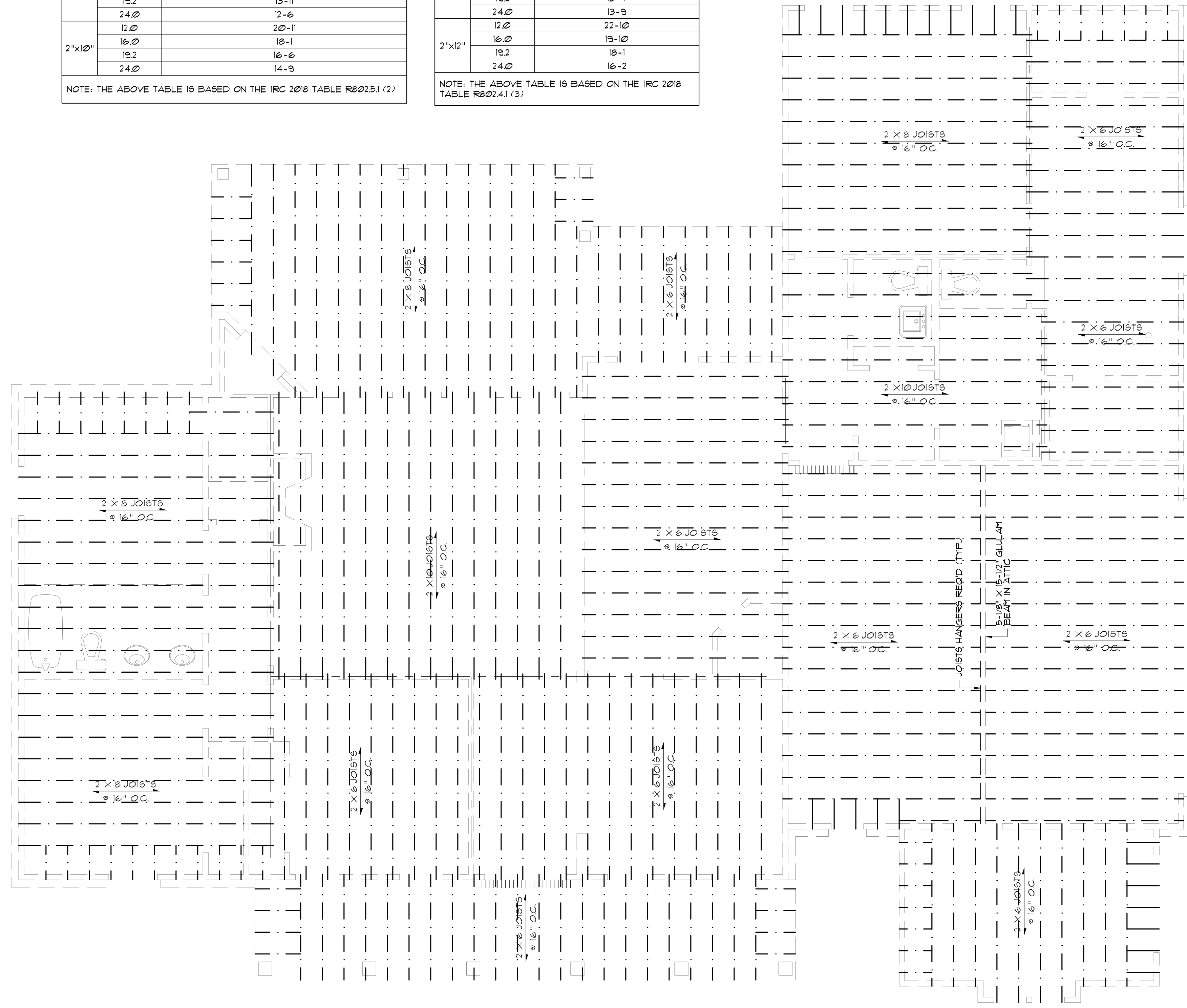
A4.0

CEILING JOIST SPANS		
CEILING JOIST SPANS FOR SOUTHERN PINE SPECIES (INHABITABLE ATTIC WITHOUT STORAGE, LIVE LOAD = 20 PSF, L _D = 240') DEAD LOAD = 10 PSF		
**IF HABITABLE ATTIC SPACE OR STORAGE IS DESIRED, REFER TO INTERNATIONAL RESIDENTIAL CODE SPAN TABLES		
SIZE	SPACING (INCHES)	VISUALLY GRADED #2 SOUTHERN PINE (MAXIMUM CEILING JOIST SPAN) (FT.-IN.)
2"x4"	12.0	9-3
	16.0	8-0
	19.2	7-4
	24.0	6-7
2"x6"	12.0	13-11
	16.0	12-0
	19.2	11-0
	24.0	9-10
2"x8"	12.0	17-1
	16.0	15-3
	19.2	13-11
	24.0	12-6
2"x10"	12.0	20-11
	16.0	18-1
	19.2	16-6
	24.0	14-9

NOTE: THE ABOVE TABLE IS BASED ON THE IRC 2018 TABLE R502.5.1 (2)

RAFTER SPANS		
RAFTER SPANS FOR SOUTHERN PINE SPECIES (LIVE LOAD = 20 PSF, L _D = 240') DEAD LOAD = 10 PSF		
SIZE	SPACING (INCHES)	SPANS (MAXIMUM RAFTER SPANS BETWEEN BRACING) (FT.-IN.)
2"x6"	12.0	12-11
	16.0	11-2
	19.2	10-2
	24.0	9-2
2"x8"	12.0	16-4
	16.0	14-2
	19.2	12-11
	24.0	11-7
2"x10"	12.0	19-5
	16.0	16-10
	19.2	15-4
	24.0	13-9
2"x12"	12.0	22-10
	16.0	19-10
	19.2	18-1
	24.0	16-2

NOTE: THE ABOVE TABLE IS BASED ON THE IRC 2018 TABLE R502.4.1 (3)



JOISTS FRAMING PLAN
SCALE: 1/4" = 1'-0"

GENERAL FRAMING NOTES:

- THE FOLLOWING NOTES ARE SUGGESTED MINIMUM REQUIREMENTS ONLY. DUE TO A VARIANCE OF CODES PER REGION, PLEASE REFER AND COMPLY WITH ALL YOUR LOCAL CODES. CONSULT WITH LOCAL ENGINEERS FOR ALL STRUCTURAL REQUIREMENTS.
1. PROVIDE FURLINS AT MID HEIGHT OF ALL WALLS.
 2. ALL JOIST AND RAFTERS SHALL BE ALIGNED OVER STUDS BELOW.
 3. ALL HEADERS SHALL BE 2-2X10'S WITH 1" PLYWOOD FLITCH PLATE UNLESS OTHERWISE NOTED.
 4. PROVIDE 1X4 CROSS BRACING AT MIDPOINT OF SPAN OR 8'-0" O.C. MAXIMUM IN ALL FLOORS.
 5. ALL EXTERIOR CORNERS (INSIDE AND OUTSIDE CORNERS) SHALL BE BRACED WITH 1" CDX PLYWOOD. NAILING SCHEDULE SHALL BE 8D COMMONS AT 4" O.C. AT ALL EDGES AND 8D COMMONS AT 12" O.C. AT ALL INTERMEDIATE STUDS. (OPTION-APPROVED DIAGONAL CORNER BRACES BOTH DIRECTIONS AT ALL CORNERS).
 6. ALL COLUMNS OR SOLID FRAMES SHALL EXTEND DOWN THRU ALL LEVELS AND TERMINATE AT THE BOTTOM FLOOR AND BE SUPPORTED BY THICKENED SLAB, GRADE BEAM, OR FOOTING DESIGNED TO CARRY LOAD.
 7. PROVIDE DOUBLE 2X6 STRONGBACK AT MIDSPAN FOR CEILING JOISTS WITH SPAN GREATER THAN 10'-0".
 8. PROVIDE COLLAR TIES AT UPPER 1/3 OF VERTICAL DISTANCE BETWEEN RIDGE BOARD AND CEILING JOISTS AT 4'-0" O.C. MAXIMUM.
 9. HIP, VALLEY RAFTERS, AND RIDGE BOARDS SHALL BE ONE "2X" SIZE LARGER THAN RAFTERS.
 10. ROOF DECKING SHALL BE 1/2" CDX PLYWOOD MINIMUM.
 11. WHERE FIRE ENGINEERED FLOOR AND ROOF TRUSSES ARE USED, TRUSS MANUFACTURER MUST PROVIDE SHOP DRAWINGS WHICH BEAR SEAL OF REGISTERED ENGINEER IN STATE IN WHICH WORK IS TO BE PERFORMED.
 12. ALL SOLID FRAMING, COLUMNS, BEAMS, ETC. TO BE DESIGNED BY LOCAL STRUCTURAL ENGINEER AND MEET ALL LOCAL CALLS.
 13. ALL FRAMED WALL DIMENSIONS ARE BASED ON 2X4 STUDS UNLESS OTHERWISE NOTED.
 14. COLUMNS SHALL BE ADEQUATELY ANCHORED TO SLAB TO PREVENT LATERAL DISPLACEMENT PER IRC R407.3.
 15. SITE-ASSEMBLED HEADERS AND GIRDERS TO BE SIZED PER IRC TABLE R502.5(1) AND (2).
 16. HEADERS AND GIRDERS WHOSE SPAN EXCEEDS THOSE LISTED IN IRC TABLE R502.5(1) AND (2) ARE TO BE ENGINEERED BEAMS TO BE SIZED BY A QUALIFIED PARTY.
 17. WALLS ADJACENT TO GARAGE DOOR OPENING TO BE BRACED TO THE MINIMUM LENGTHS LISTED IN IRC R602.10.3 VIA SHEATHING OR AN ALTERNATIVE METHOD OF RESISTING SHEAR AS DESIGNED BY A QUALIFIED ENGINEER.
 18. ROOF AND FLOOR SHEATHING TO COMPLY WITH SPAN CHART R503.2.1(1)

MADDEN HOME DESIGN, LLC NOT BEING AN ARCHITECTURAL OR ENGINEERING FIRM, DOES NOT PROVIDE PROFESSIONAL DESIGN OR CONSULTING SERVICES. THE USER ASSUMES ALL LIABILITY FOR EVERY EFFORT HAS BEEN MADE TO INSURE ALL DIMENSIONS ARE CORRECT AND ENVIRONMENTAL REGULATIONS HAVE BEEN MET. IF AN ERROR OR OMISSION DOES OCCUR, IT IS THE SOLE RESPONSIBILITY OF THE CONTRACTOR AND/OR DESIGNER AT HIS OWN EXPENSE AND THE SERVICE RESPONSIBILITY OF THE CONTRACTOR IS RESPONSIBLE FOR VERIFICATION OF DIMENSIONS IN THE FIELD AND SHALL BUILD HOME IN ACCORDANCE WITH THE INTERNATIONAL RESIDENTIAL CODE 2018.

RESIDENCE OF
DYLAN KOERNER

Project

MADDEN HOME DESIGN
8375 Rushing Road
Denham Springs, Louisiana 70726
Phone: (225) 791-2912

A B D

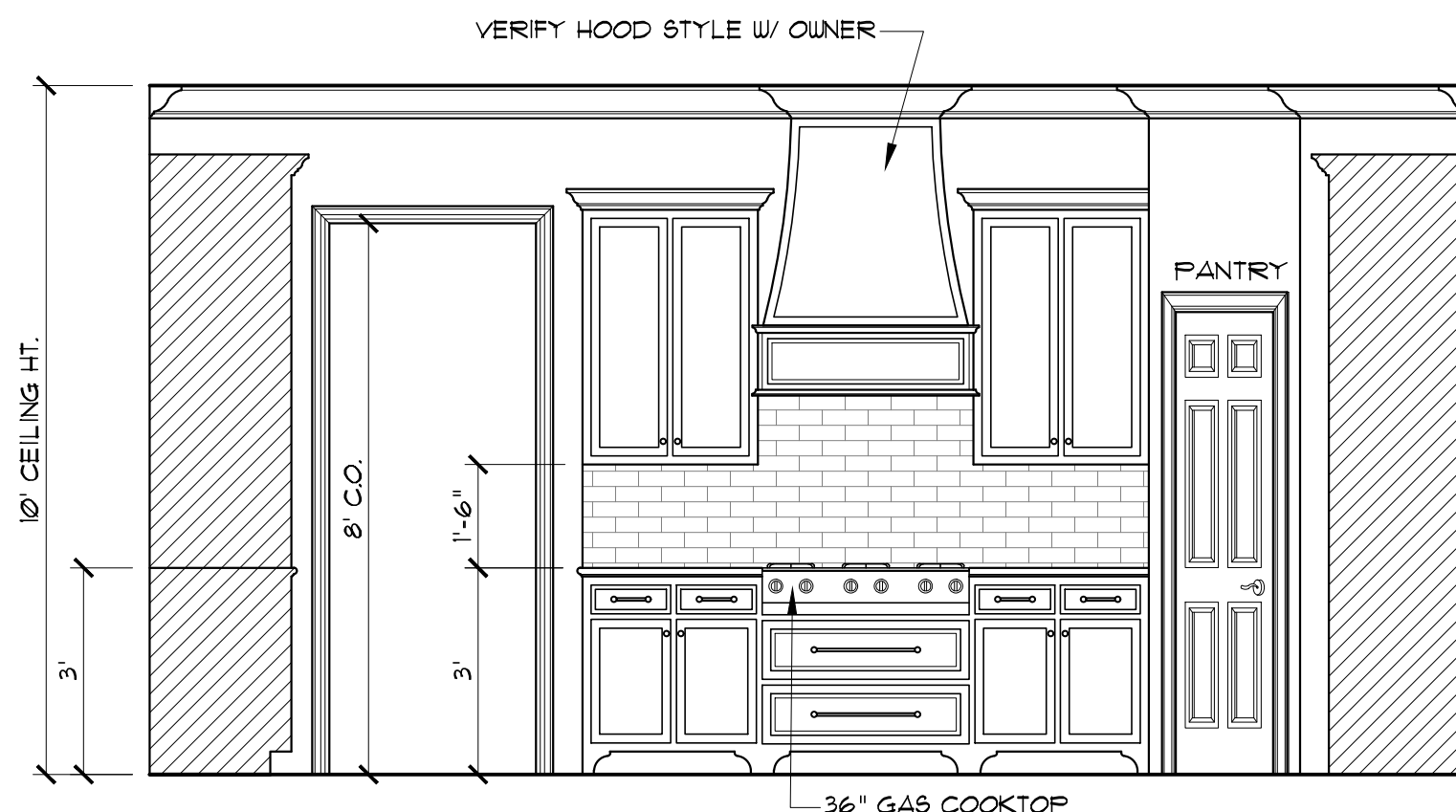
Project No.: Hickory Ridge-Mirror
DATE: MAY 7, 2021
DRAWN BY: Steven Madden
DESIGNED BY: Steven Madden

COPYRIGHT NOTE: © These Plans Are Subject To Federal Copyright Laws And Are To Be Used For The Lot Number And Subdivision Indicated In This Title Block Only. Use On Any Other Site Is Prohibited.

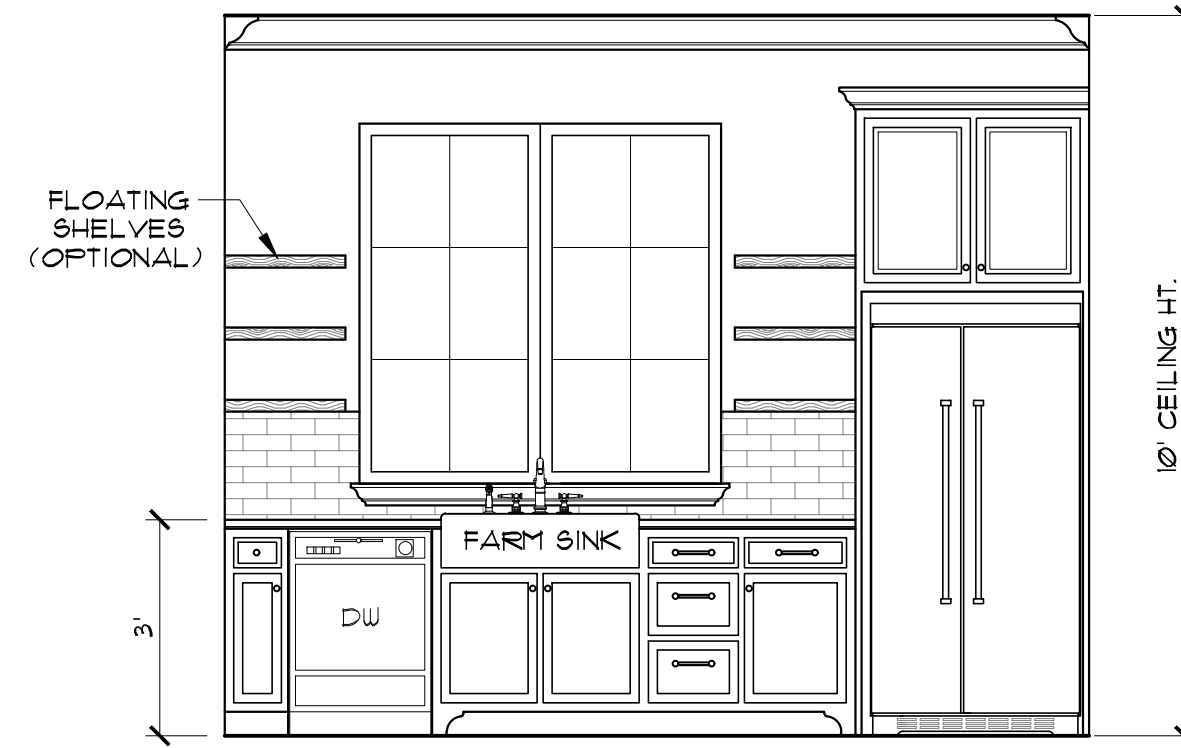
© COPYRIGHT 2021

Sheet Title
JOIST FRAMING PLAN

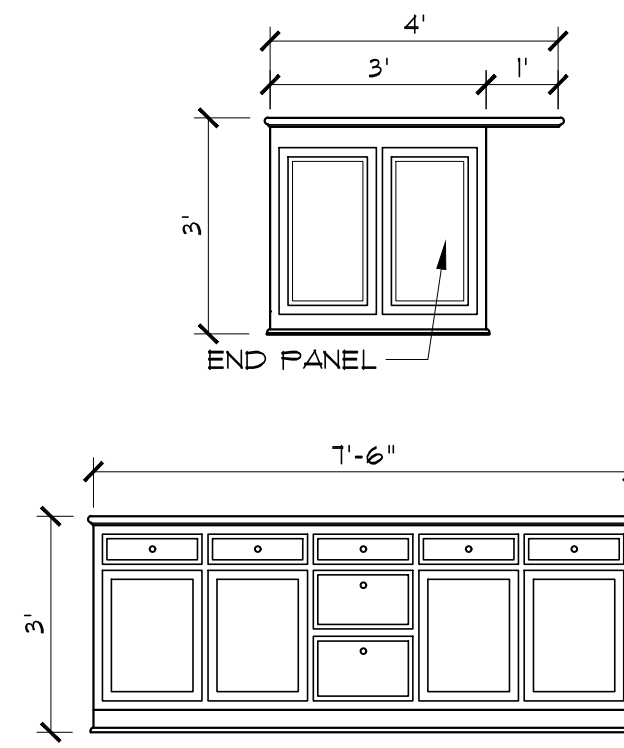
Sheet:
 Preliminary Dwg.
 Bidding Doc.
 Construction Doc.
A5.0



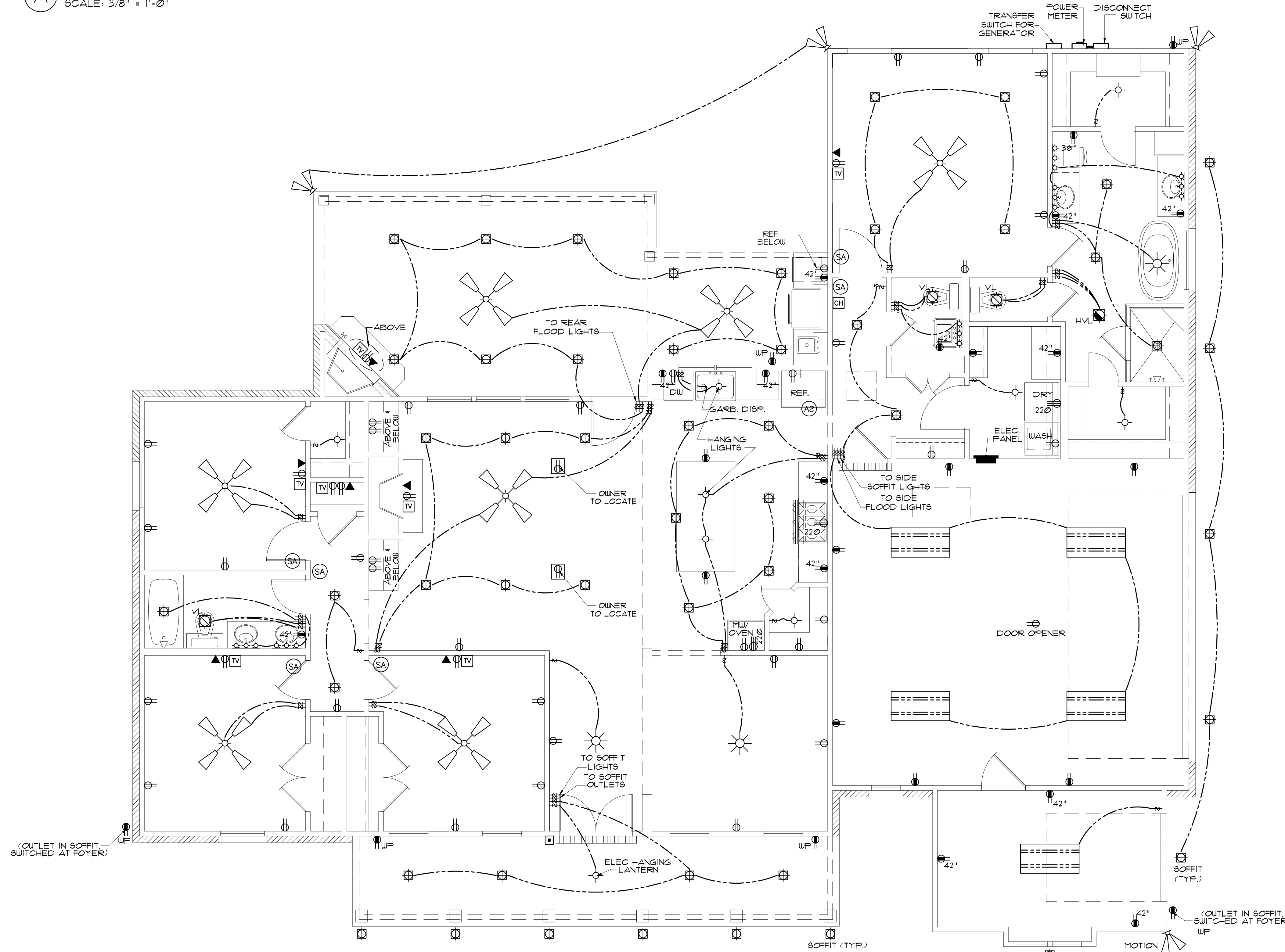
A ELEVATION
SCALE: 3/8" = 1'-0"



B ELEVATION
SCALE: 3/8" = 1'-0"



ISLAND ELEVATIONS
SCALE: 3/8" = 1'-0"



ELECTRICAL PLAN
SCALE: 1/4" = 1'-0"

ELECTRICAL SYMBOL LEGEND	
TV	CABLE OUTLET
▼	TELEPHONE/ ETHERNET OUTLET
⊕	RECEPTACLE, 15A, 125V, 2 POLE 3 WIRE, GROUNDING, DUPLEX
⊕	FLOOR DUPLEX RECEPTACLE
⊕	GROUND-FAULT-CIRCUIT-INTERLIFT RECEPTACLE-USE SQUARE D QUICK GUARD FOR WP LOCATIONS
⊕	RECEPTACLE, 50A, 220V, 2 POLE 3 WIRE, GROUNDING
⊕	TOGGLE SWITCH, SINGLE POLE, 15A
⊕	TOGGLE SWITCH, 3 WAY, 15A
⊕	ELEC. DOOR BELL
CH	DOORBELL CHIME
⊕	DIMMER SWITCH
⊕	LIGHT FIXTURE, INCANDESCENT CEILING MOUNTED
⊕	LIGHT FIXTURE, INCANDESCENT EXTERIOR FLOODS
⊕	CEILING FAN W/ LIGHT - PROVIDE SEPERATE SWITCHES FOR F & L
⊕	LIGHT FIXTURE - CHANDELIER W/ INCANDESCENT BULBS
⊕	LED RECESSED LIGHT
⊕	LIGHT FIXTURE - FLOURESCENT
SA	SMOKE ALARM - 110V ELEC. W/ CARBON MONOXIDE DETECTOR
⊕	VANITY LIGHT
⊕	VENT/LIGHT RECESSED CAN
⊕	HEAT/VENT/LIGHT
⊕	VENT/LIGHT ONLY
⊕	SCONCE LIGHT
⊕	ELECTRIC LANTERN

PRE-WIRE FOR THE FOLLOWING:

- TELEPHONE (ONE INCOMING LINE)
- CABLE VISION (ONE OUTLET PER ROOM MINIMUM)
- SECURITY SYSTEM - COORDINATE W/ OWNER
- COORDINATE ELECTRICAL SYSTEM WITH MECHANICAL CONTRACTOR
- ALL WIRING TO BE COPPER MIN. 12/2 W/ GROUND
- VERIFY LOCATION OF FLOOR OUTLETS IN FAMILY ROOM
- PROVIDE 110V OUTLET FOR GARAGE DISPOSAL UNDER KITCHEN SINK
- PROVIDE 110V OUTLET FOR WHIRLPOOL TUB MOTOR UNDER WHIRLPOOL TUB IN MASTER BATH
- PROVIDE 220V OUTLET FOR CLOTHES DRYER
- COORDINATE SURROUND SYSTEM W/ OWNER

ELECTRICAL NOTES:

- MAIN FEED INTO HOUSE TO BE TRENCHED UNDERGROUND FROM SUPPLY POLE TO METER THEN MAIN DISCONNECT OUTSIDE.
- ALL SMOKE DETECTORS TO BE ELECTRIC POWERED WITH BATTERY BACKUP AND WIRED TO SET ALL ALARMS OFF IF ONE IS TRIPPED.
- ALL EXTERIOR, KITCHEN, AND BATH OUTLETS TO BE GROUND FAULT CIRCUIT INTERRUPT EQUIPPED AND ON A SEPARATE CIRCUIT.
- ELECTRICAL DISCONNECTS ARE TO BE AT A/C UNIT, CONDENSING UNIT, AND WATER HEATER.
- HEAT VENT LIGHTS ARE TO BE ON A SEPARATE CIRCUIT.
- OUTLETS, INCLUDING PHONE AND CABLE, MAY BE ADDED OR CHANGED UPON OWNERS REQUEST.
- ELECTRICAL CONTRACTOR TO VERIFY EQUIPMENT TYPE AND SIZE.
- INSTALL LIGHTS IN ATTIC SPACE W/ SWITCH AT FOOT OF DISP. STAIRS
- ELECTRICAL SERVICE TO BE A 42 CIRCUIT 200 AMP MAIN LOCATED IN THE UTILITY.
- A SUB-PANEL MAY NEED TO BE ADDED FOR ENOUGH CIRCUITS.
- HOUSE TO BE WIRED FOR A SECURITY SYSTEM.
- ALL KITCHEN OUTLETS ARE TO BE GFI EXCEPT APPLIANCE OUTLETS NOT EASILY ACCESSIBLE.
- ARC FAULT BREAKERS ARE TO BE USED IN ALL BEDROOMS.
- IF GAS FIRED APPLIANCES ARE USED IN HOME, CARBON MONOXIDE ALARMS ARE NEEDED (IRC R315).

MADDEN HOME DESIGN, LLC NOT BEING AN ARCHITECTURAL OR ENGINEERING FIRM. THIS PLAN IS FOR INFORMATIONAL PURPOSES ONLY. THE DESIGNER HAS MADE EVERY EFFORT TO BE CORRECT. HOWEVER, THE DESIGNER DOES NOT GUARANTEE THAT ALL DIMENSIONS ARE CORRECT AND ENVIRONMENTAL REGULATIONS HAVE BEEN MET. IF AN ERROR OR OMISSION DOES OCCUR, IT IS THE SOLE RESPONSIBILITY OF THE CONTRACTOR AND/OR OWNER AT HIS OWN EXPENSE. THE CONTRACTOR SHALL BE RESPONSIBLE FOR VERIFYING ALL DIMENSIONS IN THE FIELD AND SHALL BUILD HOME IN ACCORDANCE WITH THE INTERNATIONAL RESIDENTIAL CODE 2015.

RESIDENCE OF
DYLAN KOERNER

Project

MADDEN HOME DESIGN
8375 Rushing Road
Dentonham Springs, Louisiana
70726
Phone: (225) 791-2912

A B D

Project No.: Hickory Ridge-Mirror
DATE: MAY 7, 2021
DRAWN BY: Steven Madden
DESIGNED BY: Steven Madden

COPYRIGHT NOTE: © These Plans Are Subject To Federal Copyright Laws And Are To Be Used For The Lot Number And Subdivision Indicated In This Title Block Only. Use On Any Other Site Is Prohibited.

© COPYRIGHT 2021 2021

Sheet Title
ELECTRICAL PLAN

Sheet:
□ Preliminary Dwg.
□ Bidding Doc.
□ Construction Doc.
E1.0