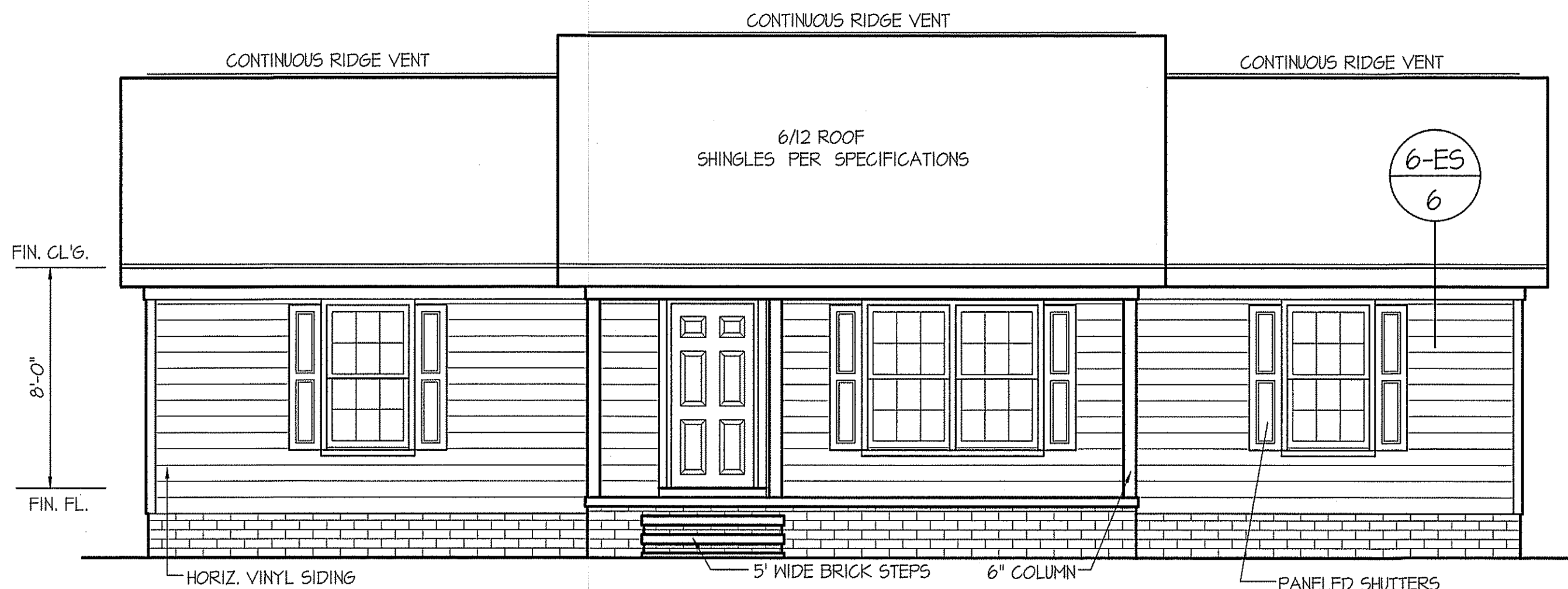


THIS PLAN IS DESIGNED TO MEET THE REQUIREMENTS OF THE NORTH CAROLINA RESIDENTIAL CODE 2018 EDITION

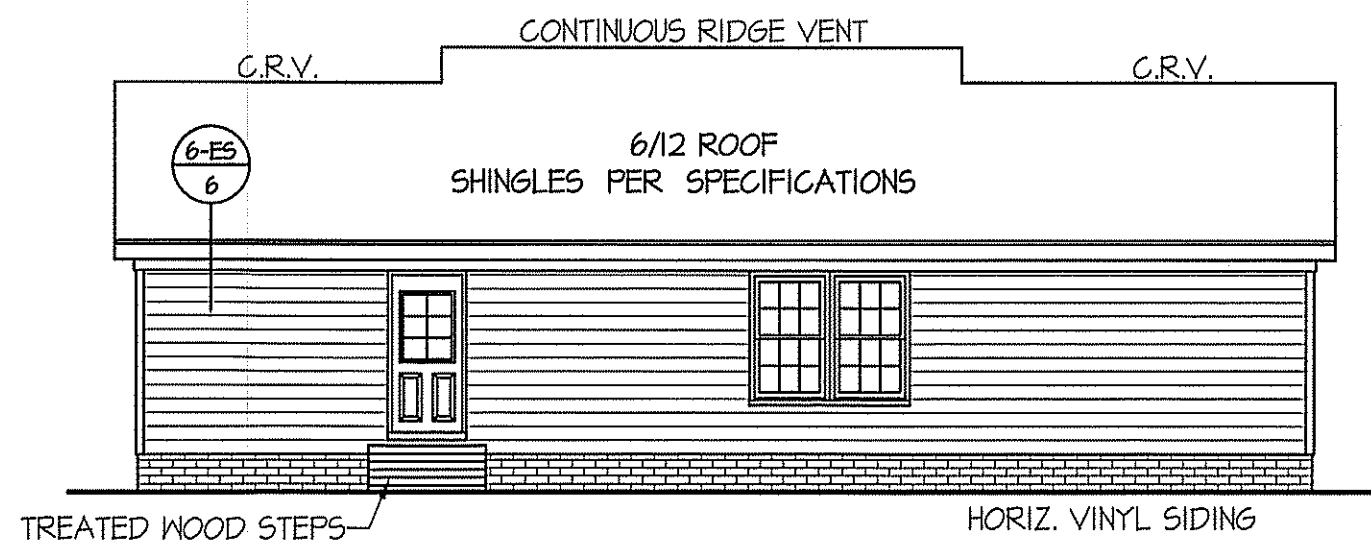
DATE:
MARCH 2, 2022



WIND ZONES (PER TABLE R301.2(4))

COUNTY	MPH
HARNETT	120
JOHNSTON	120
SAMPSON	130
WAKE	115

FRONT ELEVATION
SCALE: 1/4" = 1'-0"



ROOF VENTILATION REQ'MTS.
1320 ATTIC SQ. FT. / 300 = 4.40

PROVIDED ON PLAN
48 L.F. - RIDGE VENT = 7.87
100 L.F. SOFFIT VENT = 6.25
TOTAL = 14.12 S.F. FREE NET AREA

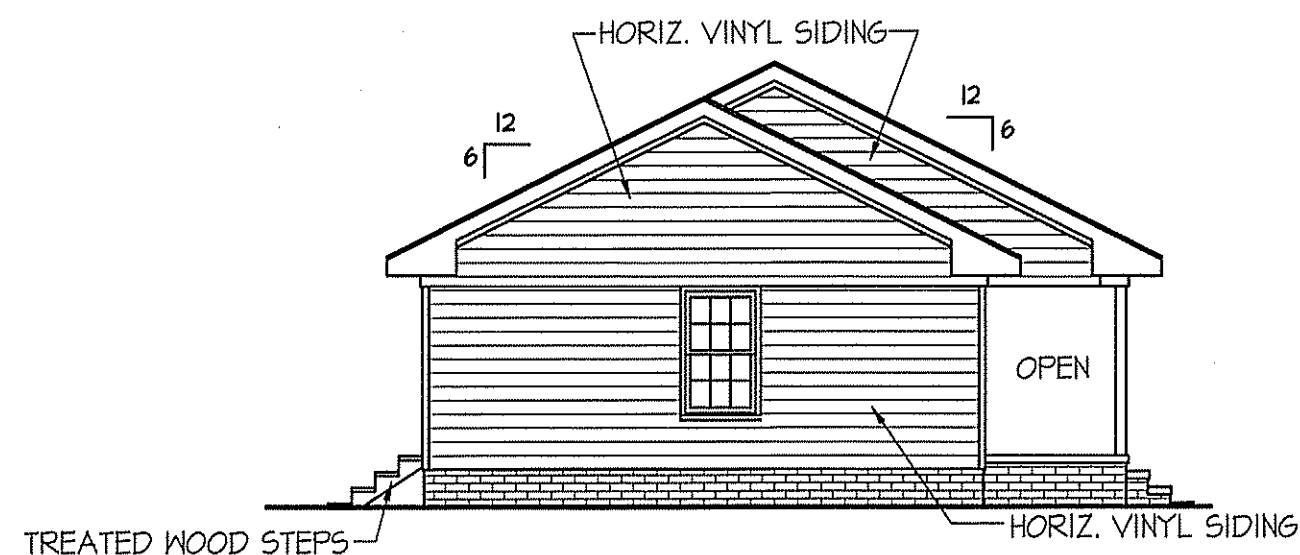
ALL EXTERIOR WALLS TO BE SHEATHED WITH CS-WSP (1/16" OSB) IN ACCORDANCE WITH SECTION R602.10.3 UNLESS OTHERWISE NOTED.

REAR ELEVATION
SCALE: 1/8" = 1'-0"

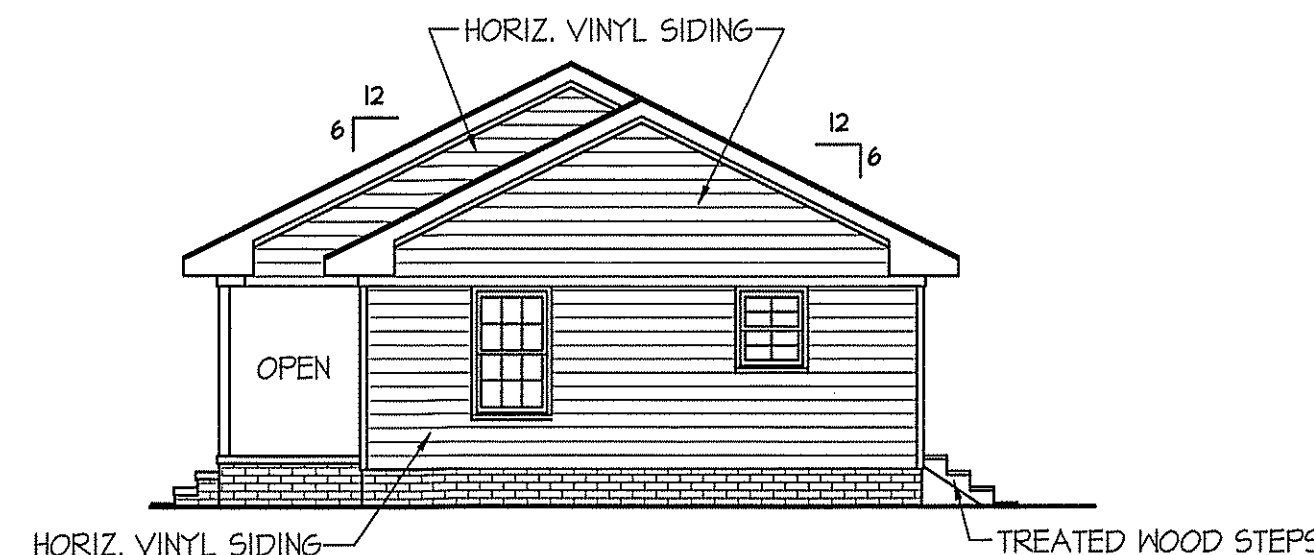
INSULATION and FENESTRATION REQUIREMENTS

CLIMATE ZONE	ZONE-3	ZONE-4
FENESTRATION U-FACTOR	0.35	0.35
GLAZED FENESTRATION SHGC	0.30	0.30
MINIMUM CEILING R-VALUE	R-38	R-38
MINIMUM WALL R-VALUE	R-15, 13+2.5	R-15, 13+2.5
MINIMUM FLOOR R-VALUE	R-19	R-19
MIN. CRAWL SPACE WALL R-VALUE	5/15	10/15
MIN. SLAB R-VALUE	0	R-10

PROVIDE STEPS AS REQUIRED
GRADE MAY VARY - BUILDER TO VERIFY



LEFT ELEVATION
SCALE: 1/8" = 1'-0"



RIGHT ELEVATION
SCALE: 1/8" = 1'-0"

FREEDOM FAMILY HOMES

P.O. BOX 608
DUNN, N.C. - 28335
O: (910) 892-1231 FAX: (910) 892-5680
© 2022, FREEDOM FAMILY HOMES



PLAN:
FREEDOM FAMILY HOMES
JEFFERSON~POPE

SHEET NO.

1

ALL INTERIOR AND EXTERIOR LOAD BEARING HEADERS WILL BE 2x10 #2 SPF UNLESS OTHERWISE NOTED.

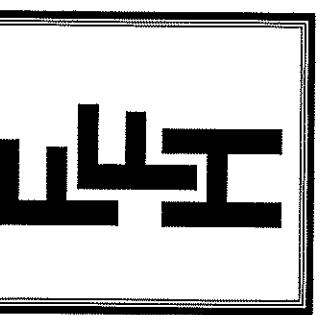
HEADER SCHEDULE		
SYMBOL #	SIZE	JACKS
H-1	(2) 2x10	1
H-2	(2) 2x10	2
H-3	(2) 2x8	2
H-4	(2) 2x12	2
H-5	(2) 1.75 x 9.25 LVL	3

ALL EXTERIOR WALLS TO BE SHEATHED WITH CS-WSP (1/16" OSB) IN ACCORDANCE WITH SECTION R602.10.3 UNLESS OTHERWISE NOTED.

WIND ZONES (PER TABLE R301.2(4))	
COUNTY	MPH
HARNETT	120
JOHNSTON	120
SAMPSON	130
WAKE	115

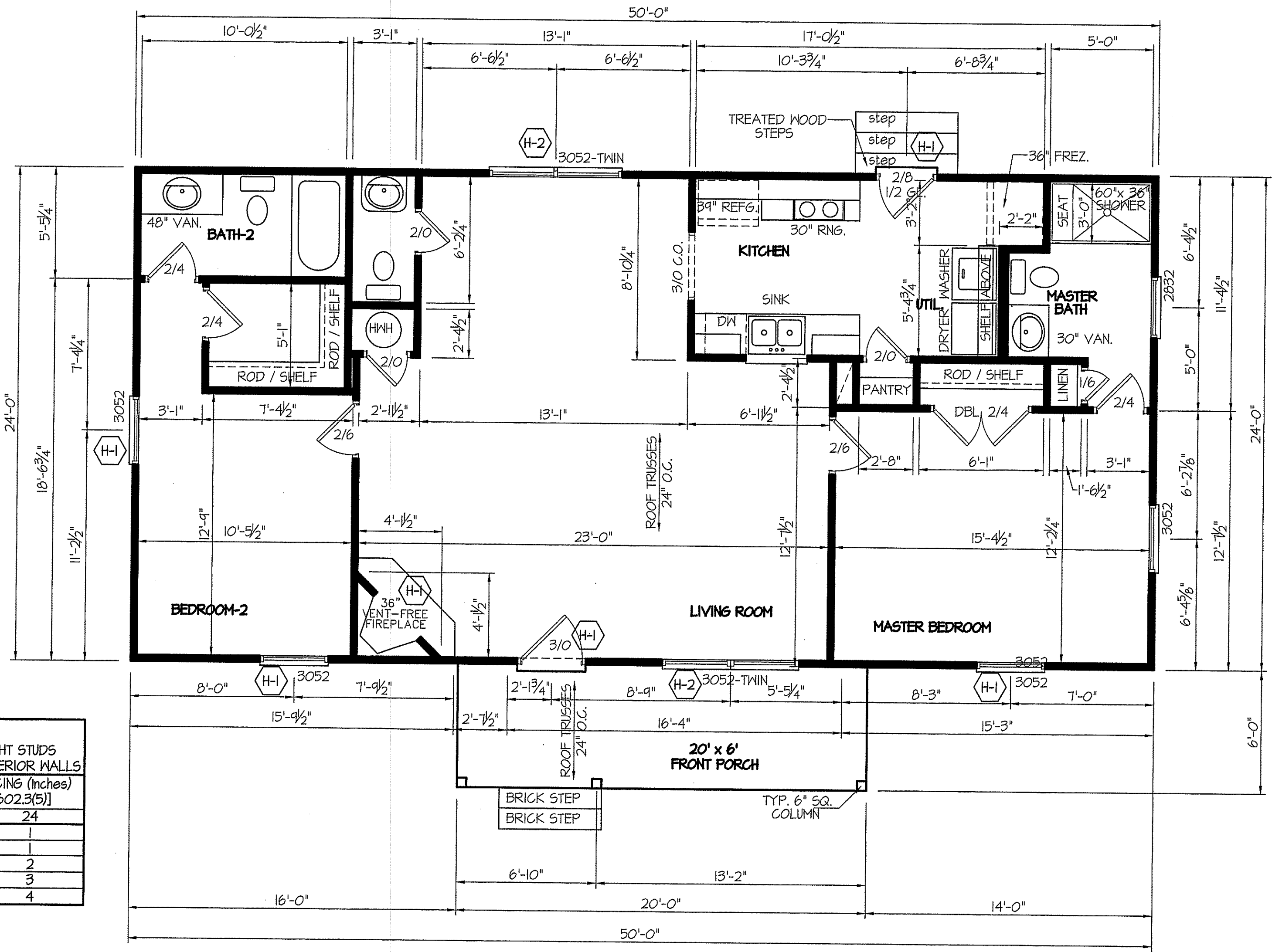
DATE:
MARCH 2, 2022

FREEDOM FAMILY HOMES
P.O. BOX 608
DUNN, N.C. - 28335
O: (910) 892-1231 FAX: (910) 892-5680
© 2022, FREEDOM FAMILY HOMES



PLAN:
FREEDOM FAMILY HOMES
JEFFERSON~POPE

SHEET NO.
2



HEADER SPAN (feet)	MAX. STUD SPACING (Inches) [per Table R602.3(5)]	
	16	24
< 3'	1	1
4'	2	1
8'	3	2
12'	5	3
16'	6	4

GIRDER AND HEADER SIZES AND JACK STUD REQUIREMENTS ON EXTERIOR AND INTERIOR LOAD BEARING WALLS ARE TO COINCIDE WITH TABLE EXT.-R602.7 (1) AND INT.-R602.7 (2).

SECTION R407-COLUMNS
R407.3 STRUCTURAL REQUIREMENTS.
THE COLUMNS SHALL BE RESTRAINED TO PREVENT LATERAL DISPLACEMENT AT THE TOP AND BOTTOM END. WOOD COLUMNS SHALL BE NOT LESS IN NOMINAL SIZE THAN 4 INCHES BY 4 INCHES (102 mm BY 102 mm). STEEL COLUMNS SHALL BE NOT LESS THAN 3-INCH-DIAMETER (76 mm) SCHEDULE 40 PIPE MANUFACTURED IN ACCORDANCE WITH ASTM A53 GRADE B OR APPROVED EQUIVALENT.

8' CEILINGS
FLOOR PLAN

SCALE: 1/4"=1'-0"
TOTAL FLOOR = 1200 SQUARE FEET (HEATED - FRAME)
120 SQUARE FEET (FRONT PORCH)

DATE:
MARCH 2, 2022

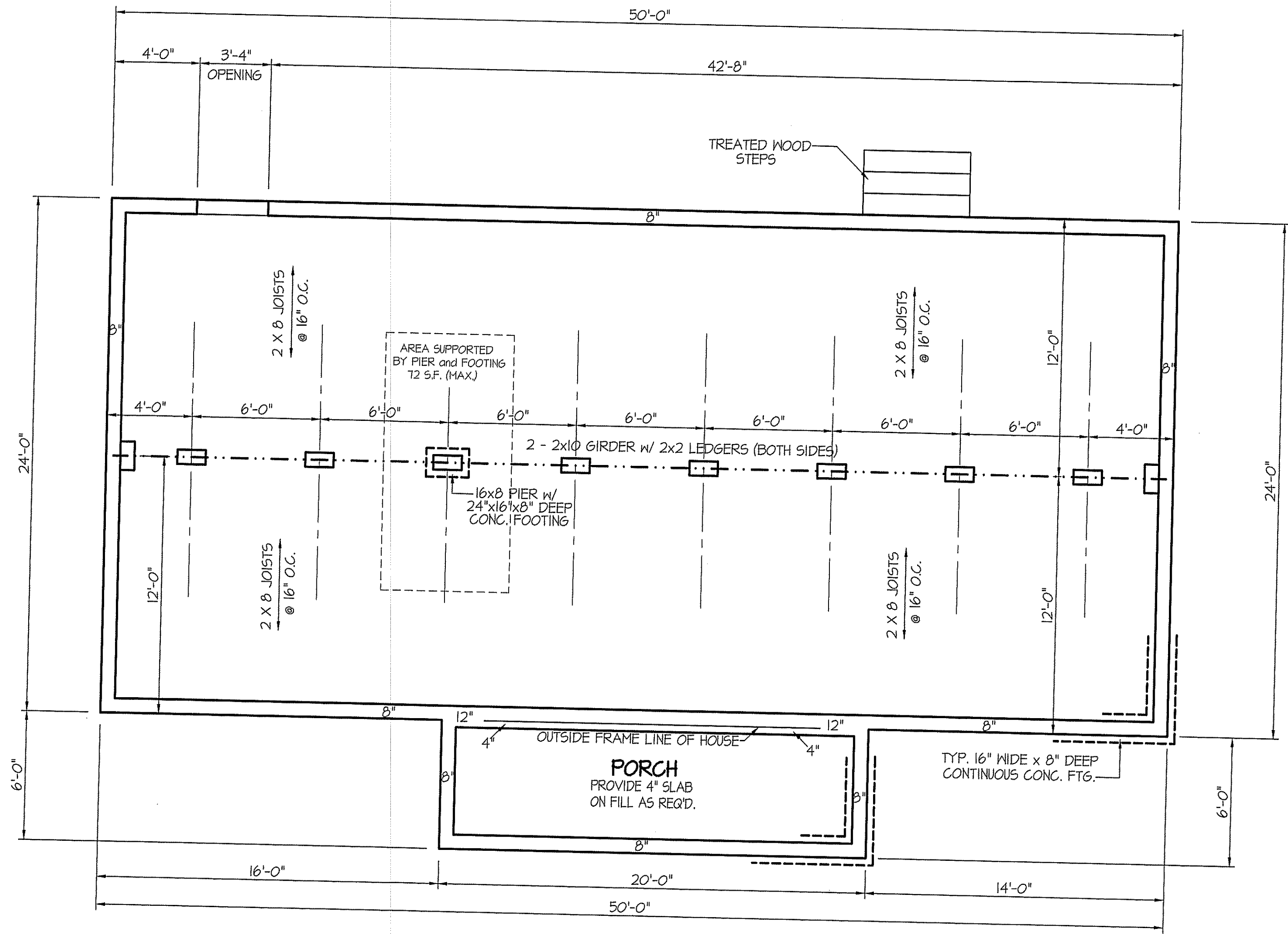
FREEDOM FAMILY HOMES
P.O. BOX 608
DUNN, N.C. 28335
O: (910) 892-1231 FAX: (910) 892-5680
© 2022, FREEDOM FAMILY HOMES



FREEDOM FAMILY HOMES
JEFFERSON~POPE

PLAN:

SHEET NO.
3



FOUNDATION VENTILATION INFORMATION
(MIN. NET AREA OF VENT. REQ'D. = 1/150)
1200 S.F. (CRAWL) x .96 = 115.2 S.I.
USE 18" WITTEN AUTO. VENT* FND. VENTS
@ 65 S.I. FREE NET AREA or EQUIVALENT.

(MIN. NET AREA CAN BE REDUCED TO 1/1500)
1200 S.F. (CRAWL) x .096 = 115.2 S.I.
USE 2" WITTEN AUTO. VENT* FND. VENTS
@ 65 S.I. FREE NET AREA or EQUIVALENT.
w/ APPROVED 6-mil POLYETHYLENE VAPOR RETARDER
or EQUIVALENT IN CRAWL SPACE.

REQUIRED VENTS ARE TO BE PLACED SO AS TO
PROVIDE CROSS-VENTILATION OF THE CRAWL SPACE.

NOTES:
USE SGL. 2 X 8's w/ 2x6 MID SILL ON 8" WALLS
USE DOUBLE 2X10 GIRDERS w/ 2x2 LEDGERS
USE 2X8 JOISTS @ 16" O.C., ADD SGL. JOIST
UNDER PARALLEL INTERIOR WALLS AS REQ'D.
PROVIDE 24 X 36 ACCESS OPENING IN FND. WALL
PROVIDE STEPS TO GRADE (MAX. RISERS 8")

MAX. SPAN FOR 2x8 IS 11'-10" (CLEAR)
PROJECT MAX. SPAN IS 11'-3.5" 40#PSF

BOX SILL
FOUNDATION PLAN
SCALE: 1/4"=1'-0"

FOUNDATION DRAINAGE
A DRAINAGE SYSTEM IS NOT REQUIRED WHEN THE FOUNDATION IS
INSTALLED ON WELL-DRAINED GROUND OR SAND-GRAVEL MIXTURE SOILS
ACCORDING TO THE UNIFIED SOIL CLASSIFICATION SYSTEM,
GROUP 1 SOILS, AS DETAILED IN TABLE R405.1

ALL JOISTS AND GIRDERS WILL BE #2 S.Y.P.
JOIST SPANS TO COINCIDE WITH REVISED TABLES
R502.3.1(1) and R502.3.1(2) FROM 2018 NCR CODES
GIRDER SPANS AND HEADER SPANS TO COINCIDE
WITH TABLE R602.7(1), R602.7(2) AND R602.7(3).

FOUNDATION ANCHORAGE
THE WOOD SILL PLATE ON PERIMETER SHALL BE ANCHORED
TO THE FOUNDATION WALLS WITH ANCHOR BOLTS
SPACED A MAXIMUM OF 4' ON CENTER. ANCHOR BOLTS SHALL
ALSO BE LOCATED WITHIN 15" FROM THE ENDS
OF EACH PLATE SECTION. BOLTS SHALL BE AT LEAST
1/2" IN DIAMETER AND SHALL EXTEND A MINIMUM
OF 15" INTO MASONRY OR CONCRETE.
BOLTS CAN BE SUBSTITUTED WITH
SIMPSON-MAS STRAPS @ 4' O.C.

FILE: JEFFERSON~POPE Plan - COMPUTER FILED UNDER 2022-FREEDOM FAMILY HOMES

FILE: JEFFERSON-POPE Plan - COMPUTER FILED UNDER 2022-FREEDOM FAMILY HOMES

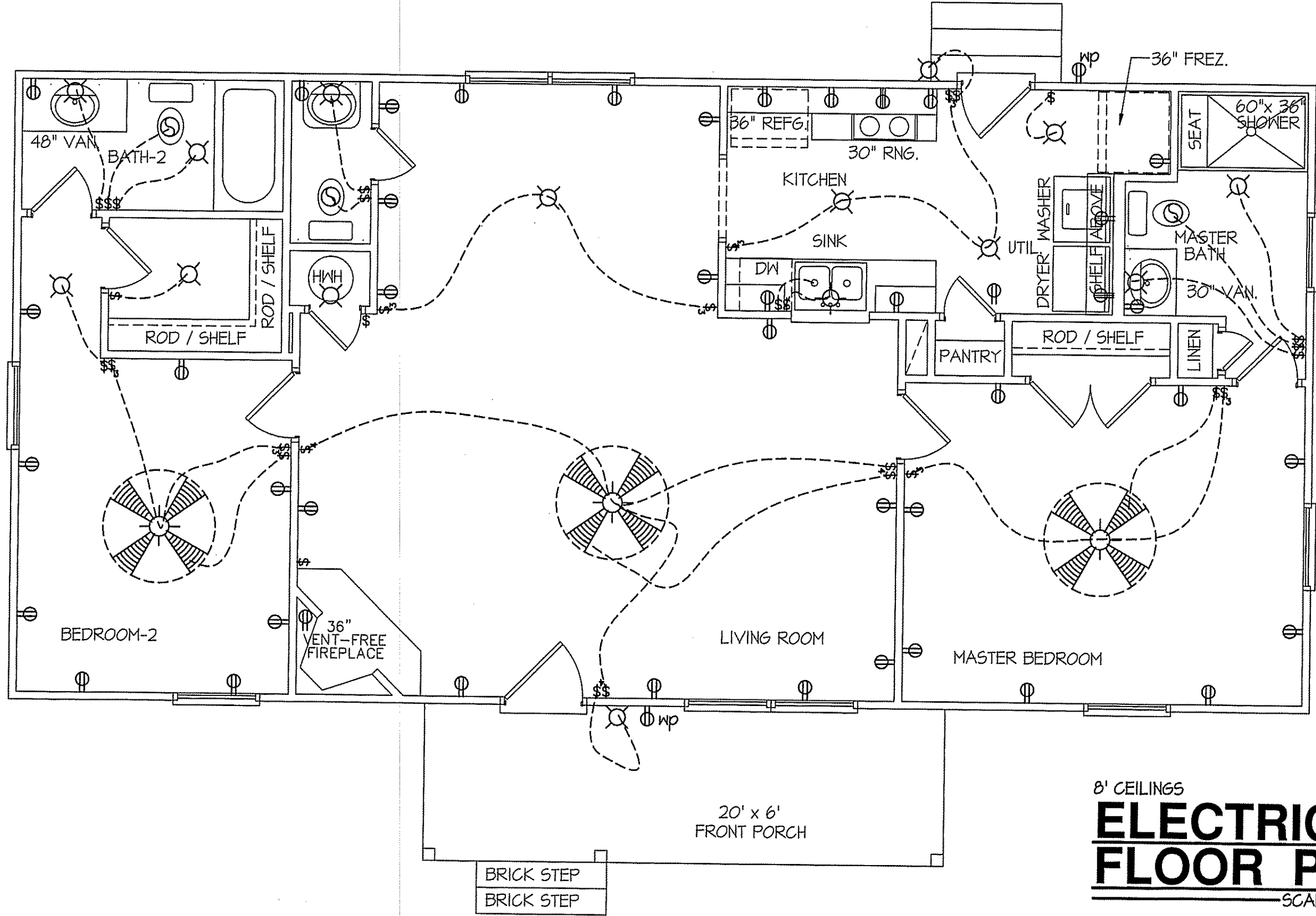
DATE:
MARCH 2, 2022

FREEDOM FAMILY HOMES
P.O. BOX 608
DUNN, N.C. - 28335
O: (910) 892-1231 FAX: (910) 892-5680
© 2022, FREEDOM FAMILY HOMES



PLAN: **FREEDOM FAMILY HOMES**
JEFFERSON~POPE

SHEET NO.
4

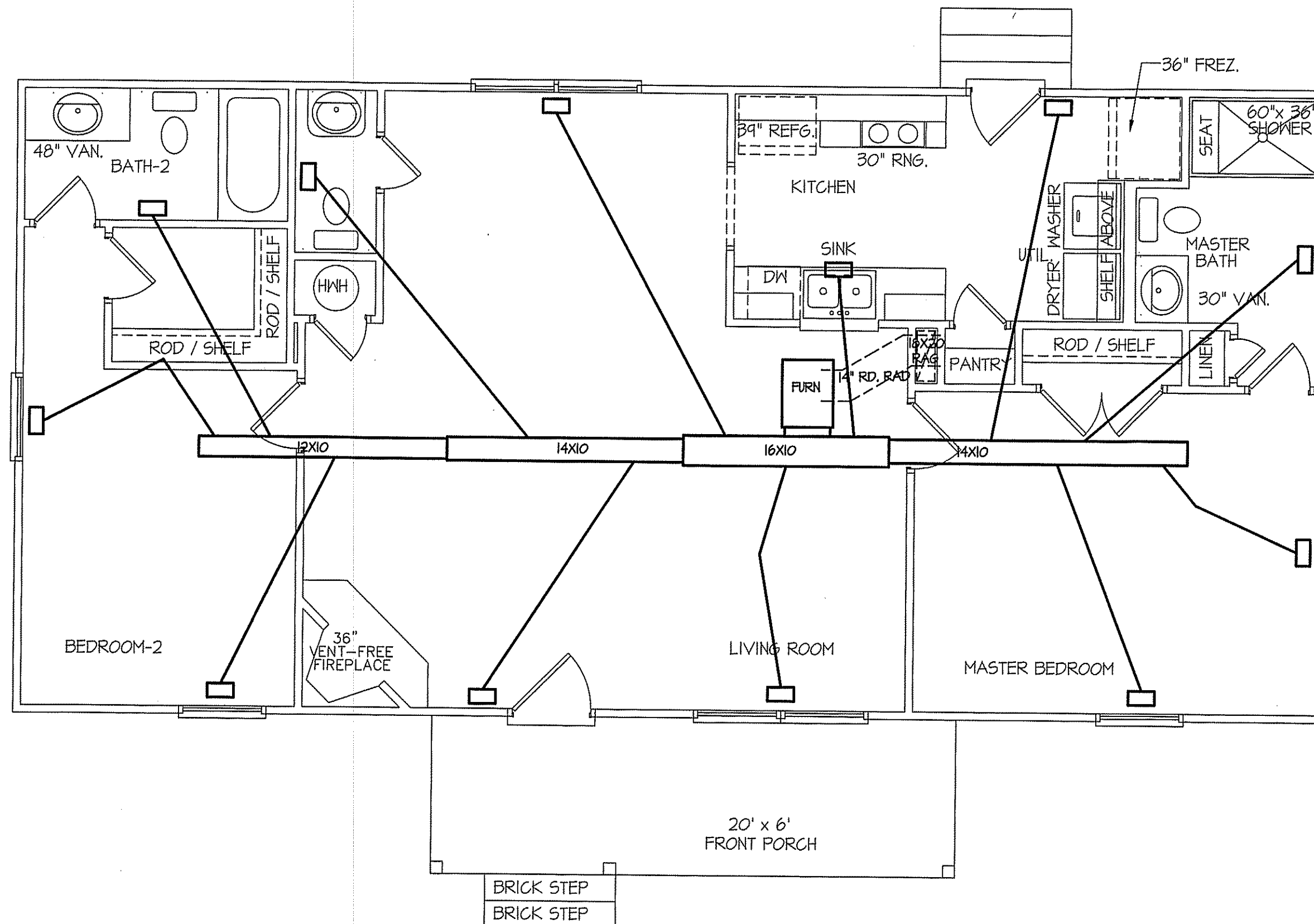


8' CEILINGS
ELECTRICAL FLOOR PLAN
SCALE: 1/4"=1'-0"

TOTAL FLOOR = 1200 SQUARE FEET (HEATED - FRAME)
120 SQUARE FEET (FRONT PORCH)

ELECTRICAL LEGEND		
<small>PROVIDE BURGLAR/SMOKE AND FIRE DETECTORS AS PER MANUFACTURER'S SPECIFICATIONS. PROVIDE CENTRAL VACUUM SYSTEM AS PER MANUFACTURER'S SPECIFICATIONS. ALL FANS ARE TO BE CONTROLLED BY VAR/SPEED AND DIRECTIONAL SWITCHES</small>		
⊕ SURF. MOUNTED LIGHT	⊖ TYPICAL WALL RECEP.	⚡ TYPICAL SWITCH
○ RECESSED LIGHT	⊖ TOP 1/2 HOT W/SWITCH	⚡ 3-WAY SWITCH
⊙ EYEBALL LIGHT	⊖ CEILING RECEPTACLE	⚡ 4-WAY SWITCH
⊕ FAN/LIGHT COMB.	⊖ FLOOR RECEPTACLE	⚡ DIMMER SWITCH
— FLUORESCENT TUBE	⊖ WATERPROOF RECEP.	⊖ ELEC. PANEL BOX
□ FLUOR. LIGHT FIXTURE	⊖ GROUND FAULT	⊖ T.V. CABLE RECEP.
⊖ EXHAUST FAN	⊖ DISPOSAL UNIT	⊖ TELEPHONE JACK
⊖ CL'G. FAN	⊖ 220 VOLT RECEPTACLE	⊖ COMPUTER JACK
⊖ FLOOD LIGHT		

ADD FLOOD LIGHTS AS PER SPECIFICATIONS



HVAC FLOOR PLAN

SCALE: 1/4"=1'-0"

TOTAL FLOOR = 1200 SQUARE FEET (HEATED - FRAME)

TOTAL HEAT GAIN = 19,320 BTUH

TOTAL HEAT LOSS = 30,540 BTUH

NOTE:

HVAC CONTRACTOR TO VERIFY and PROVIDE OWNERS and BUILDER UNIT INFORMATION, BTUH REQUIREMENTS, and DUCT LAYOUTS BEFORE CONSTRUCTION BEGINS.

DATE:

MARCH 2, 2022

FREEDOM FAMILY HOMES

P.O. BOX 608
DUNN, N.C. - 28335
O: (910) 892-1231 FAX: (910) 892-5680
© 2022, FREEDOM FAMILY HOMES



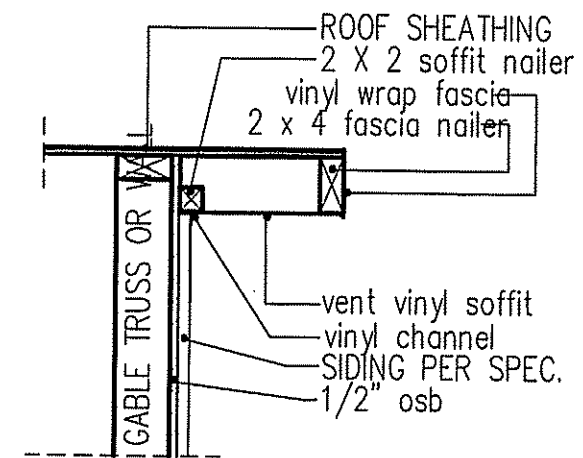
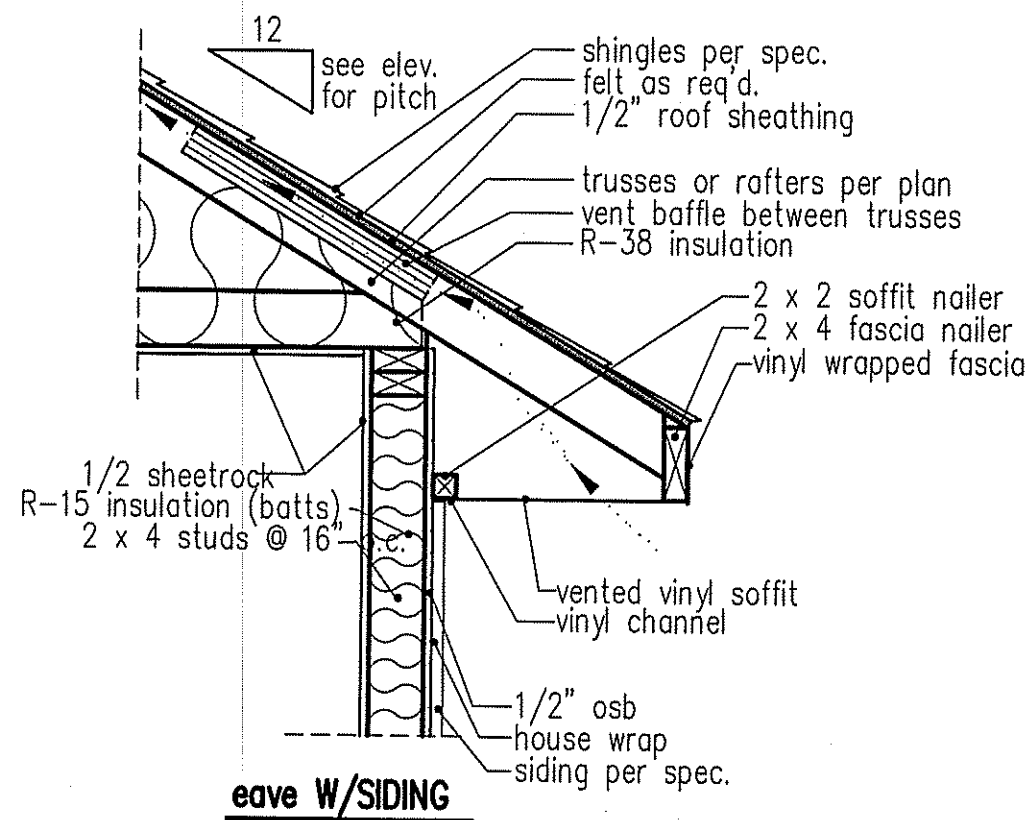
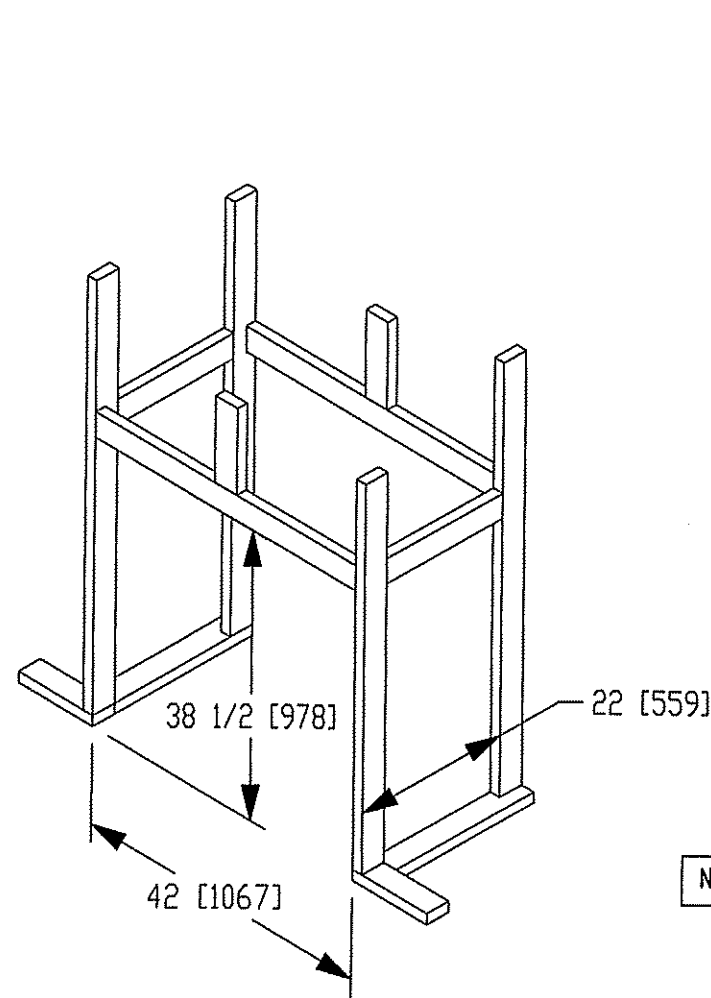
FREEDOM FAMILY HOMES

JEFFERSON~POPE

PLAN:

SHEET NO.

5



RAKE w/SIDING

NOTE: OVERHANG DISTANCE NOTED ON ELEVATION SHEET IS ALWAYS MEASURED FROM FRAME LINE

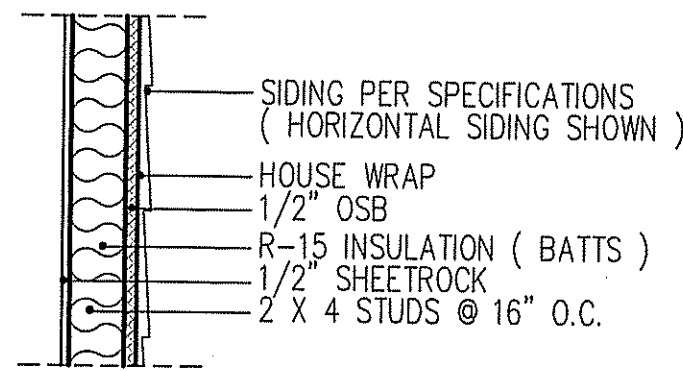
NOTE: OVERHANG DISTANCE NOTED ON ELEVATION SHEET IS ALWAYS MEASURED FROM FRAME LINE

standard eave details

DIMENSIONS IN [] ARE MM

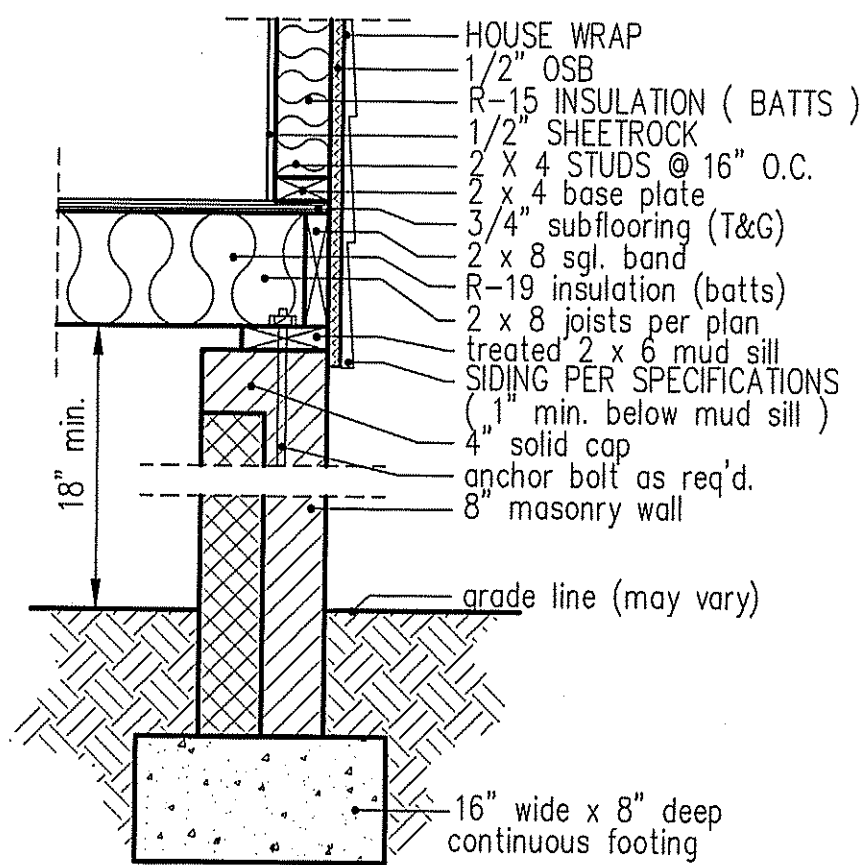
Model 6000-TR	Height		Front Width		Back Width		Depth		Glass Size	BTU Input
	Actual	Framing	Actual	Framing	Actual	Framing	Actual	Framing		
Inches	38	38-1/2	41	42	28-1/2	42	21-1/2	22		

Reference dimensions only. We recommend measuring individual units at installation.

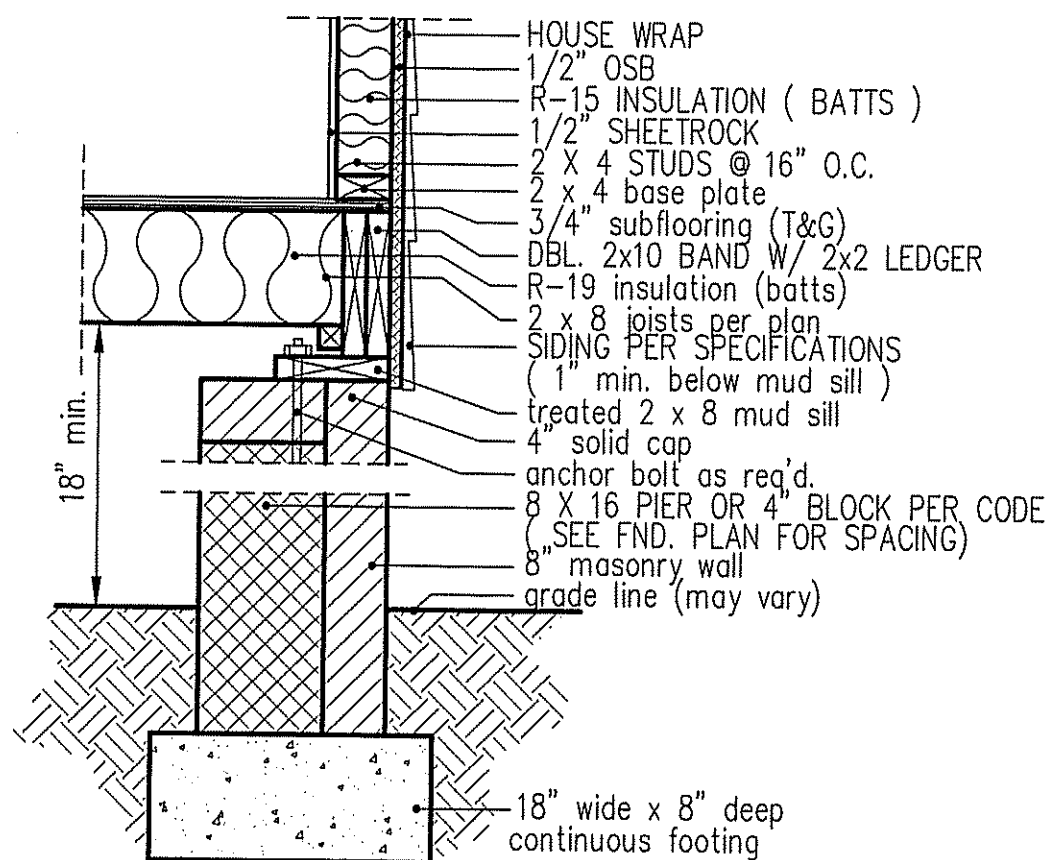


WALL w/siding

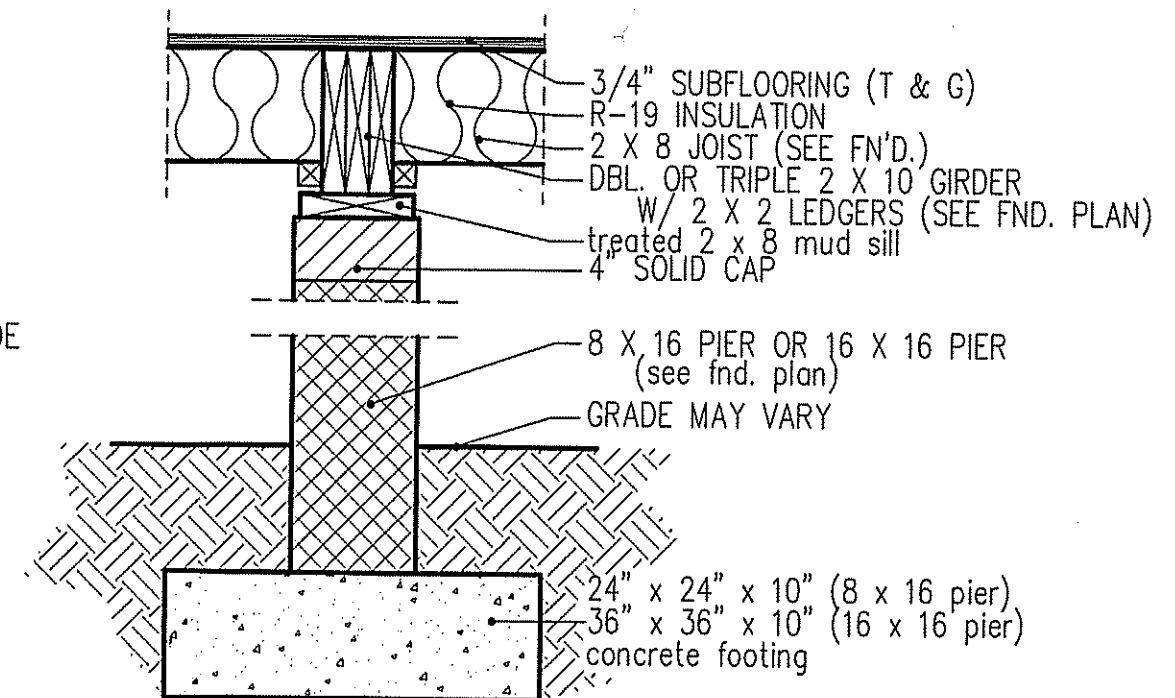
intermediate wall details



8" BOX SILL FOUNDATION WALL



PIER and CURTAIN FOUNDATION WALL



PIER and GIRDER DETAIL

TABLE R602.7.5
MINIMUM NUMBER OF FULL HEIGHT STUDS AT EACH END OF HEADERS IN EXTERIOR WALLS

HEADER SPAN (feet)	MAX. STUD SPACING (Inches) [per Table R602.3(5)]	
	16	24
< 3'	1	1
4'	2	1
8'	3	2
12'	5	3
16'	6	4

GIRDER AND HEADER SIZES AND JACK STUD REQUIREMENTS ON EXTERIOR AND INTERIOR LOAD BEARING WALLS ARE TO COINCIDE WITH TABLE EXT.-R602.7 (1) AND INT.-R602.7 (2).

DATE:
MARCH 2, 2022

FREEDOM FAMILY HOMES
P.O. BOX 608
DUINN, N.C. - 28335
O: (910) 892-1231 FAX: (910) 892-5680
© 2022, FREEDOM FAMILY HOMES



PLAN:
FREEDOM FAMILY HOMES
JEFFERSON~POPE

SHEET NO.

6