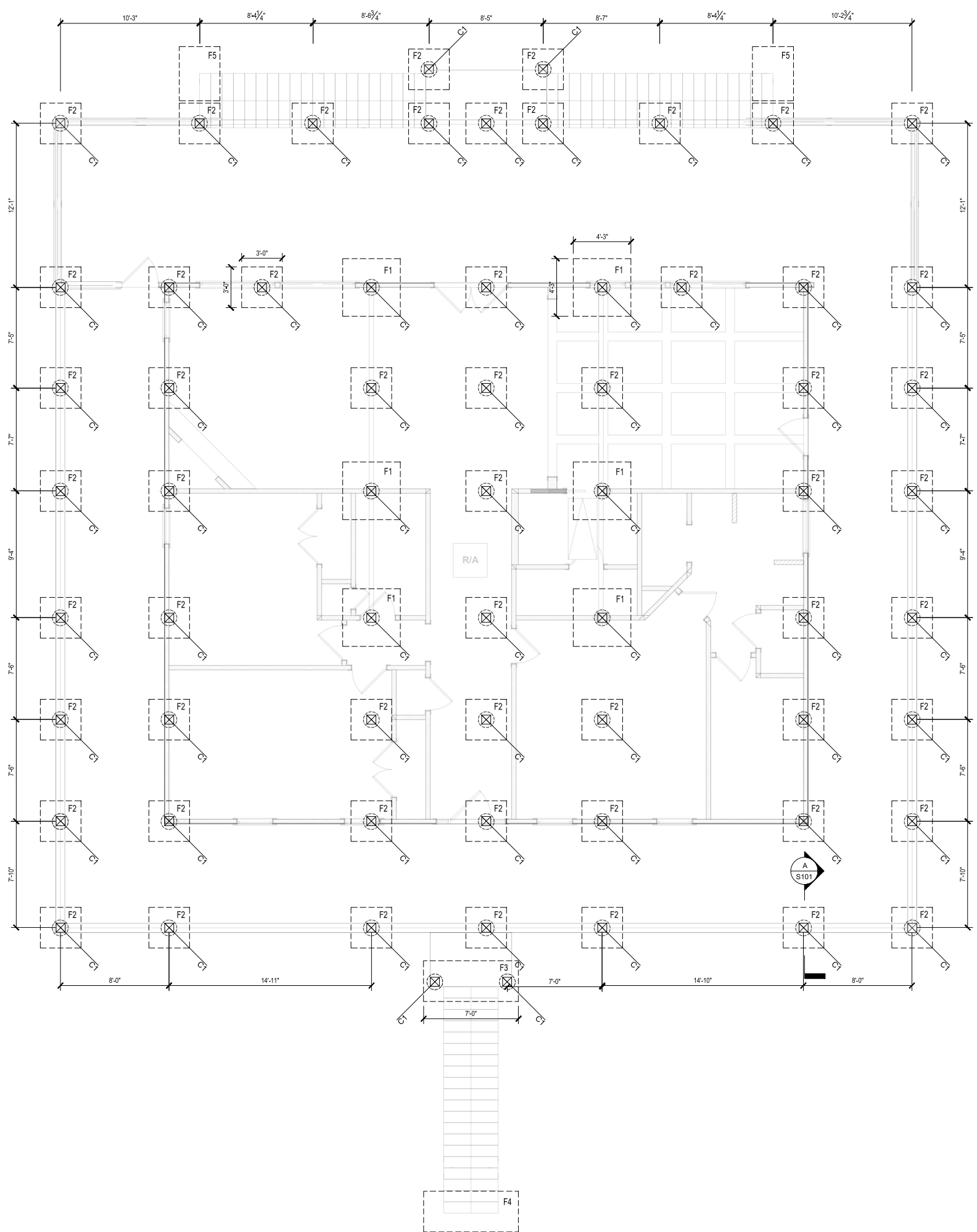


REVISIONS	
NO.	DATE
0	07/20/2022
	FOR SUBMITTAL DESCRIPTIONS

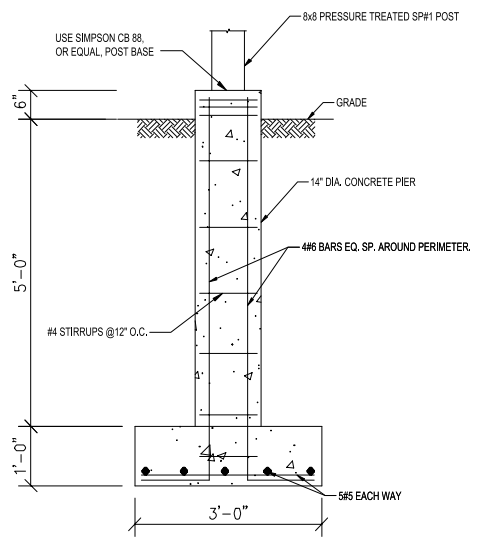
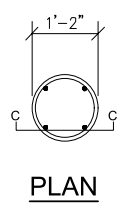


1 FOUNDATION PLAN
SCALE: 1/4" = 1'-0"

- NOTES:**
- USE SIMPSON CB88, OR EQUAL, POST BASE FOR ALL POSTS.
 - THE BOTTOM OF ALL FOOTINGS ARE 6'-0" BELOW GRADE.

SCHEDULE OF POSTS		
MARK	SIZE	REMARK
C1	8 x 8	PRESSURE TREATED, SP#1 OR BETTER

FOOTING SCHEDULE			
TYPE	DIMENSION	DEPTH	REINF. (BOT) EW
F1	4'-0" X 4'-0"	1'-0"	7 #5 EACH WAY
F2	3'-0" X 3'-0"	1'-0"	5 #5 EACH WAY
F3	3'-0" X 7'-0"	1'-0"	4 #5 SHORT WAY, 10 #5 LONG WAY
F4	3'-0" X 7'-0"	0'-4"	CONCRETE SLAB ON GROUND W/ ONE LAYER 66 - W2.0 x W2.0 WWF
F5	3'-0" X 4'-0"	0'-4"	CONCRETE SLAB ON GROUND W/ ONE LAYER 66 - W2.0 x W2.0 WWF



SECTION A - A
SCALE: NTS

FOUNDATION PLAN

SITE ADDRESS:
80 BAY ST.,
FUQUAY-VARINA, NC 27526

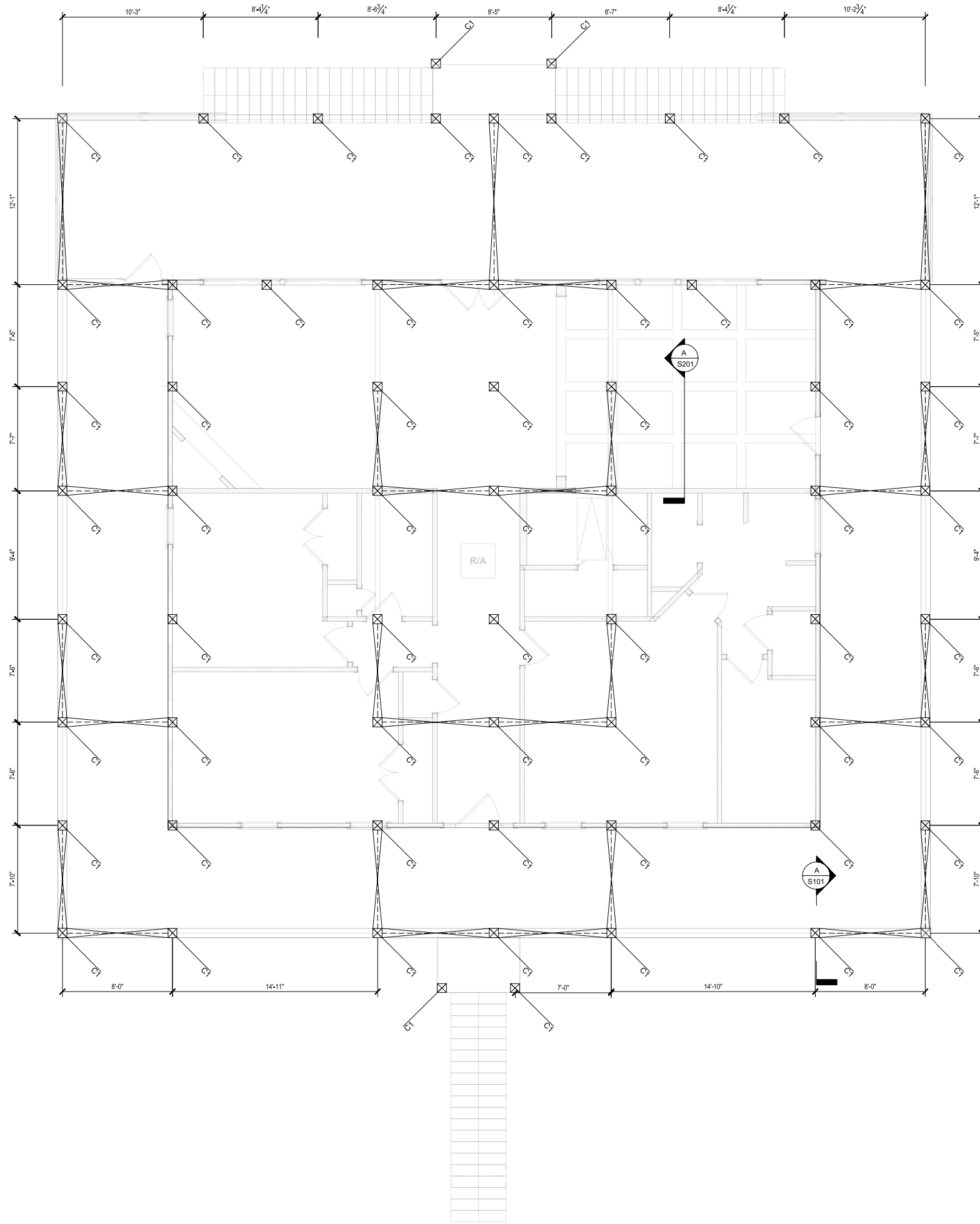


EEI EQUAGEN
ENGINEERING & INSPECTIONS

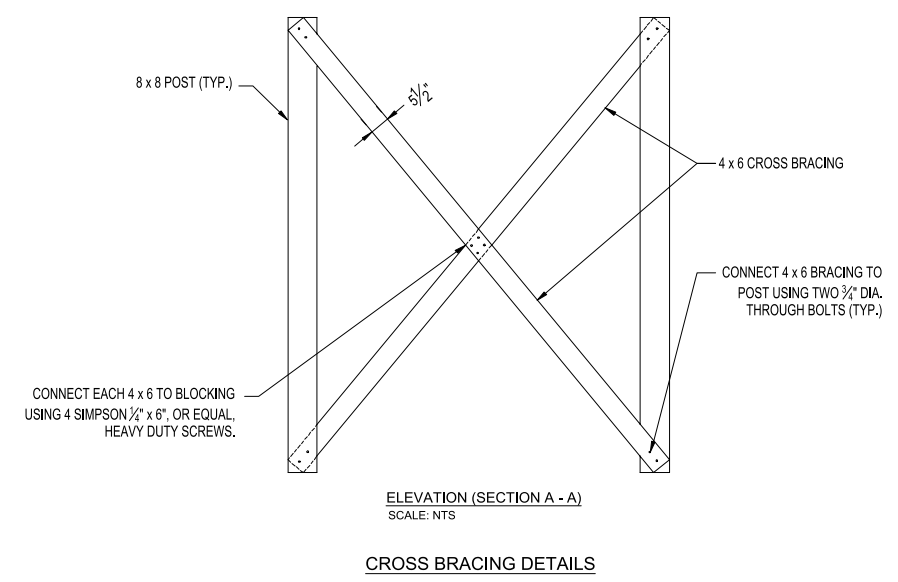
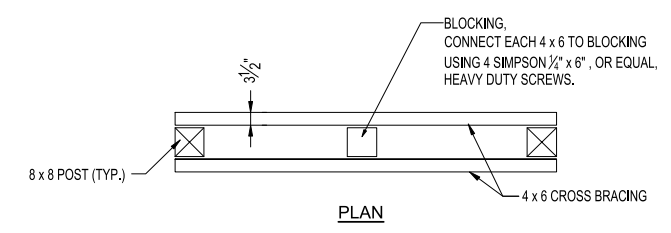
FIRM LIC. # 1869

8045 ARCO CORPORATE DR.,
RALEIGH, NC 27617
PHONE: 919.267.3004
EMAIL: INFO@EQUAGEN.COM

DRAWN BY:	DG
CHECKED BY:	MKC
DATE:	07/20/2022
SCALE:	AS SHOWN
S101	22-3009



1 BRACING OF POSTS UNDERNEATH FIRST FLOOR
SCALE: 1/4" = 1'-0"



REVISIONS	
NO.	DATE
0	07/20/2022
	FOR SUBMITTAL DESCRIPTIONS

BRACING PLAN

SITE ADDRESS:
80 BAY ST.,
FUQUAY-VARINA, NC 27526

PROFESSIONAL SEAL

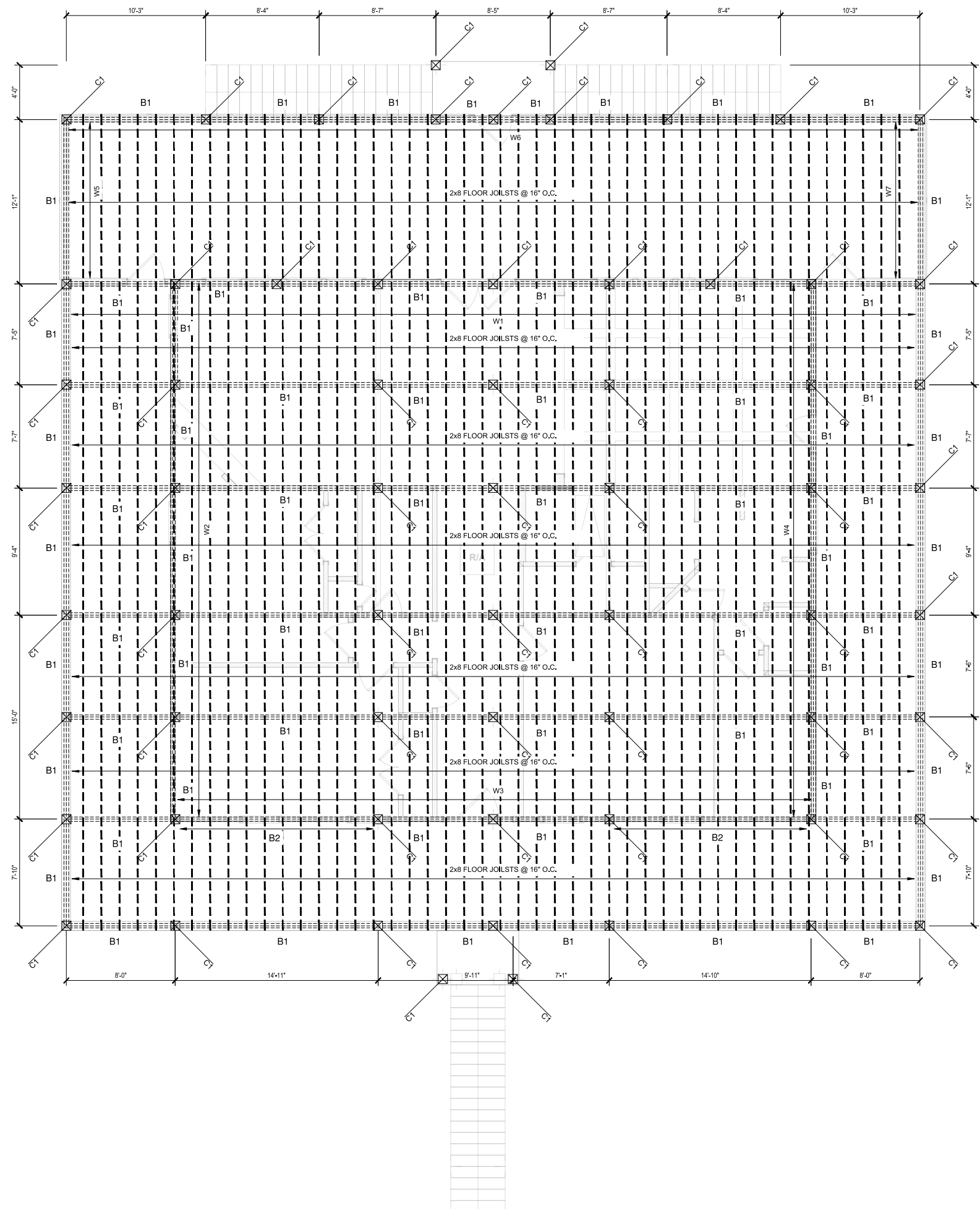
H. Dornohammidi
07/20/2022

EEI EQUAGEN
ENGINEERING & INSPECTIONS

FIRM LIC. # 1869

8045 ARCO CORPORATE DR.,
RALEIGH, NC 27617
PHONE: 919.267.3004
EMAIL: INFO@EQUAGEN.COM

DRAWN BY:	DG
CHECKED BY:	MKC
DATE:	07/20/2022
SCALE:	AS SHOWN
S201	22-3009



1 FIRST FLOOR FRAMING PLAN
SCALE: 1/4" = 1'-0"

NOTES:

- CONNECT 2x8 JOISTS TO BEAMS USING SIMPSON IUS28, OR EQUAL, HANGERS.
- ALL POSTS BELOW SHALL BE PRESSURE TREATED SP#1.
- USE SIMPSON POST CAPS, OR APPROVED EQUAL, FOR DIFFERENT CONFIGURATION AS FOLLOWS:

CCQ 48 SDS 2.5	B1 ===== C1 ===== B1
CCQ 7.1-8 SDS 2.5 (USE SHM AS NEEDED)	B1 ===== C1 ===== B2
CCTQ -8 SDS 2.5 (NEED TO ORDER)	B1 ===== C1
CCTQ -SDS 2.5 (NEED TO ORDER)	B1 ===== B2 ===== C1
ECC LRQ -SDS 2.5 (NEED TO ORDER)	B1 ===== C1
CCQ -SDS 2.5 (NEED TO ORDER)	===== B1

- ON ALL WALLS W1 TO W7, USE SIMPSON MSTA18, OR EQUAL, STRAP TIE TO TIE THE BOTTOM OF EACH STUD TO BEAM BELOW.

SCHEDULE OF BEAMS AND POST

MARK	SIZE	REMARK
B1	(2) 1 1/2" x 11 1/2"	FLUSH BEAM (SEE WOOD NOTES FOR ATTACHMENT)
B2	(4) 1 1/2" x 11 1/2"	FLUSH BEAM (SEE WOOD NOTES FOR ATTACHMENT)
C1	8 x 8	PRESSURE TREATED SP#1 OR BETTER POST BELOW.

REVISIONS	
NO.	DATE
0	07/20/2022
	FOR SUBMITTAL DESCRIPTIONS

1ST FLOOR FRAMING PLAN

SITE ADDRESS:
80 BAY ST.,
FUQUAY-VARINA, NC 27526

PROFESSIONAL SEAL

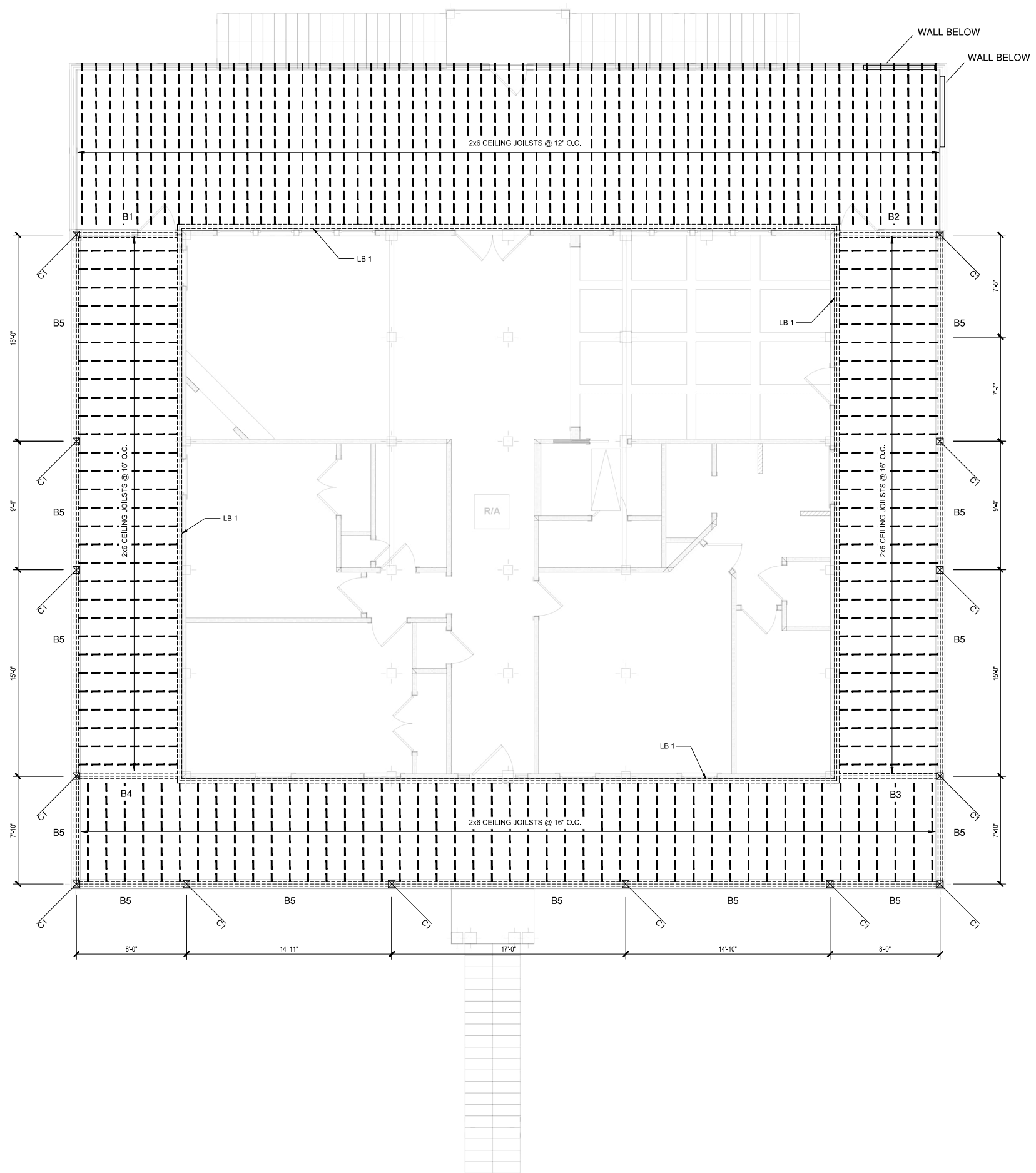
H. Dornohammidi
07/20/2022

EEI EQUAGEN
ENGINEERING & INSPECTIONS

FIRM LIC. # 1869

8045 ARCO CORPORATE DR.,
RALEIGH, NC 27617
PHONE: 919.267.3004
EMAIL: INFO@EQUAGEN.COM

DRAWN BY:	DG
CHECKED BY:	MKC
DATE:	07/20/2022
SCALE:	AS SHOWN
S301	22-3009



1 CEILING FRAMING PLAN (PORCHES' AREA)
SCALE: 1/4" = 1'-0"

- NOTES:**
- CONNECT LB1 TO 4x4 POSTS IN THE WALL USING TWO 3" THROUGH BOLTS WITH WASHERS AND NUTS, AND CONNECT LB1 TO WALL STUDS USING TWO ROWS OF SIMPSON 1/2"x 4 1/2" SDS, OR EQUAL, SCREWS. SEE " CEILING FRAMING PLAN (HOME AREA) FOR LOCATIONS OF 4x4 POSTS.
 - USE SIMPSON LUS 26, OR EQUAL, HANGER TO CONNECT 2x6 JOISTS TO BEAMS.
 - USE SIMPSON LCE4Z, OR EQUAL, COLUMN CAPS FOR THE CORNERS, AND USE SIMPSON CQ46 SDS 2.5, OR EQUAL, COLUMN CAPS FOR OTHER LOCATIONS.
 - USE SIMPSON HUS210-2, OR EQUAL, HANGERS TO CONNECT B1, B2, B3, B4 TO BEAMS ON EACH END.

SCHEDULE OF BEAMS AND POST		
MARK	SIZE	REMARK
B1, B2, B3, B4	(2) 2x 12	FLUSH BEAM (SEE WOOD NOTES FOR ATTACHMENT)
B5	(2) 1 1/2" x 11 1/2"	LVL FLUSH BEAM (SEE WOOD NOTES FOR ATTACHMENT)
C1	6 x 6	POST BELOW
LB1	1 1/2" x 11 1/2"	LVL

REVISIONS	
NO.	DATE
0	07/20/2022
	FOR SUBMITTAL
	DESCRIPTIONS

**CEILING FRAMING PLAN
(PORCHES' AREAS)**

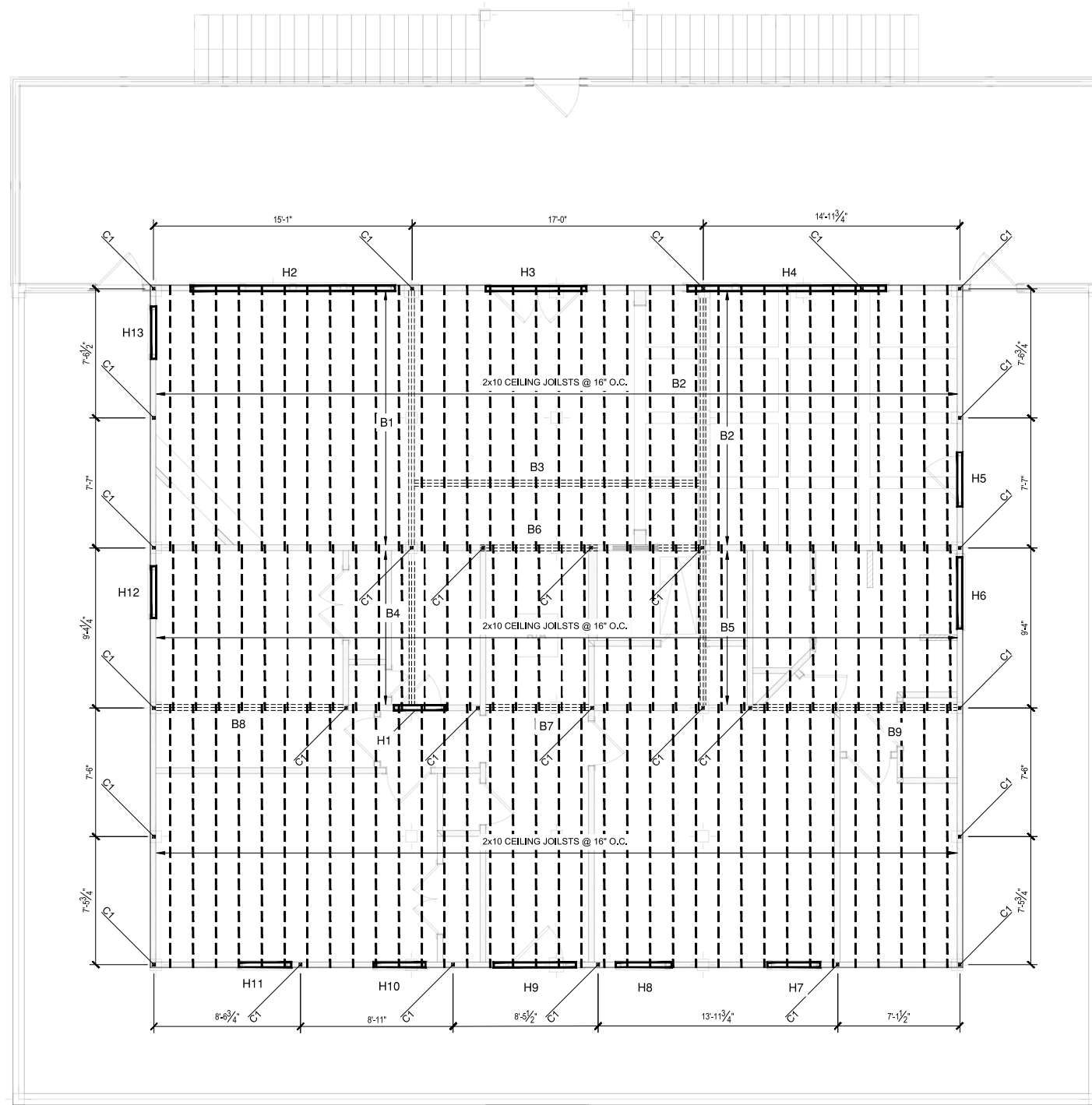
**SITE ADDRESS:
80 BAY ST.,
FUQUAY-VARINA, NC 27526**



EEI EQUAGEN
ENGINEERING & INSPECTIONS
FIRM LIC. # 1869

8045 ARCO CORPORATE DR.,
RALEIGH, NC 27617
PHONE: 919.267.3004
EMAIL: INFO@EQUAGEN.COM

DRAWN BY:	DG
CHECKED BY:	MKC
DATE:	07/20/2022
SCALE:	AS SHOWN
S401	22-3009



1 CEILING FRAMING PLAN (HOUSE AREA)
SCALE: 1/4" = 1'-0"

- GENERAL ROOF FRAMING PLAN NOTES:**
- CONNECT JOISTS TO BEAMS/HEADER USING SIMSON LUS210, OR EQUAL, HANGER.
 - CONNECT B3 TO B1 AND B2 USING SIMPSON HHGU5.5-SDS, OR APPROVED EQUAL, HIGH CAPACITY GIRDER HANGER.
 - USE SIMPSON CCG64SD2.5, OR APPROVED EQUAL, COLUMN CAPS AT THE LOCATIONS B1 & B4 AND B2 & B5 SIT ON 4x4 POST. FOR THE OTHER LOCATIONS WHERE B1, B2, B4, B5 SIT ON A 4x4 POST, USE ECCQ64SD2.5, OR APPROVED EQUAL, COLUMN CAPS.
 - TO SATISFY LATERAL STABILITY OF HEADERS, USE SIMPSON H2.5A, OR EQUAL HURRICANE TIE TO CONNECT JOISTS TO HEADERS.
 - FOR H2 AND H4: USE (3) 2x4 JACK STUDS AND (6) 2x4 KING STUDS. FOR OTHER HEADERS, USE (2) 2x4 JACK STUDS AND (3) 2x4 KING STUDS.

SCHEDULE OF HEADER BELOW

MARK	SIZE	REMARKS
H1, H3, H5, H14	(2) 1 1/2" x 9 1/2"	LVL (SEE WOOD NOTES FOR ATTACHMENT)
H2, H4	(2) 1 1/2" x 16"	LVL (SEE WOOD NOTES FOR ATTACHMENT)

SCHEDULE OF BEAMS AND POST

MARK	SIZE	REMARK
B1, B2, B3, B4, B5	(3) 1 1/2" x 16"	LVL, FLUSH BEAM (SEE WOOD NOTES FOR ATTACHMENT)
B6, B7, B8, B9	(2) 1 1/2" x 9 1/2"	LVL, FLUSH BEAM (SEE WOOD NOTES FOR ATTACHMENT)
C1	4 x 4	(TYP.) POST BELOW

NO.	DATE	FOR SUBMITTAL DESCRIPTIONS
0	07/20/2022	

REVISIONS

CEILING FRAMING PLAN (HOME AREA)

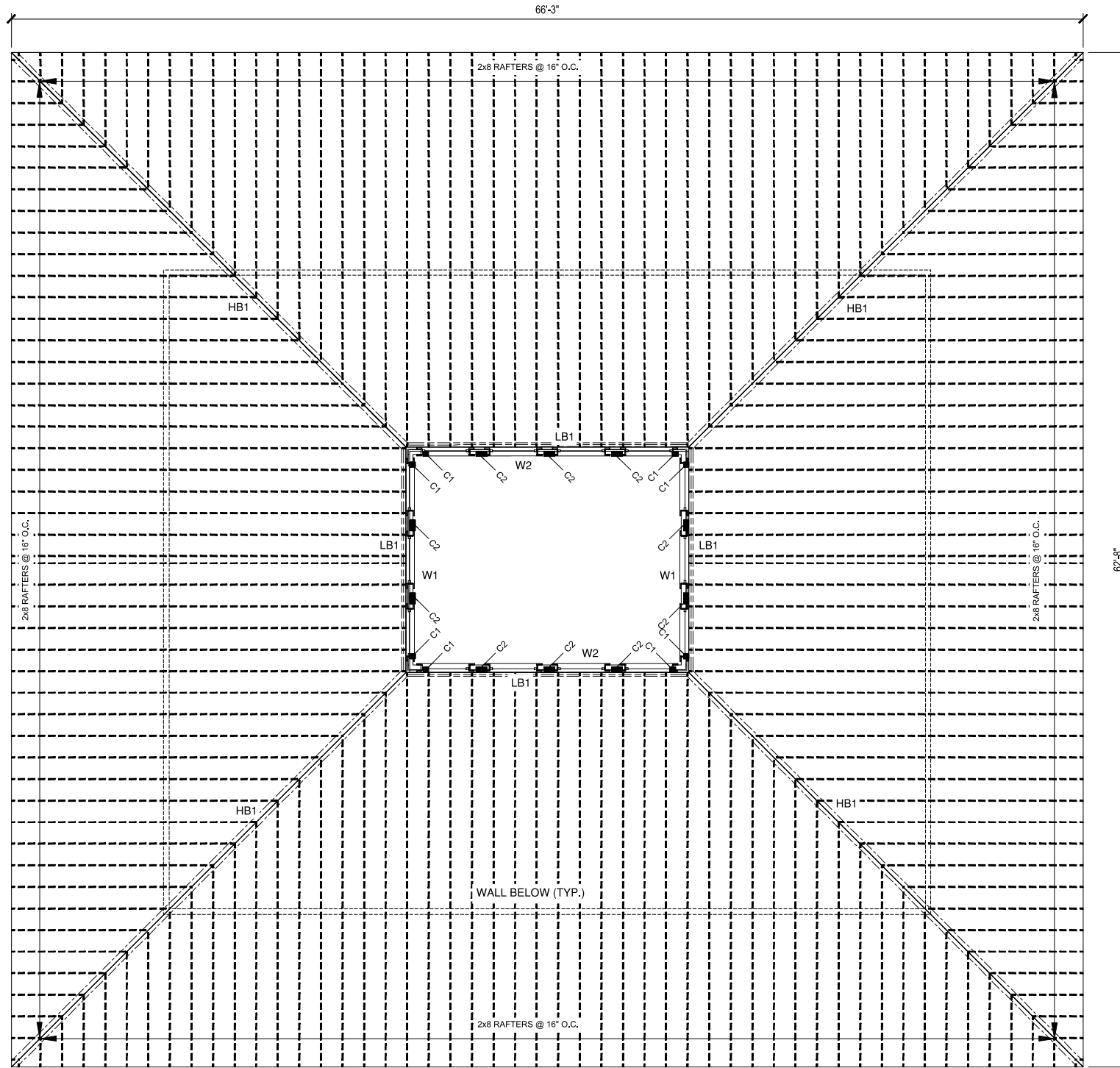
SITE ADDRESS:
80 BAY ST.,
FUQUAY-VARINA, NC 27526



EEI EQUAGEN
ENGINEERING & INSPECTIONS
FIRM LIC. # 1869

8045 ARCO CORPORATE DR.,
RALEIGH, NC 27617
PHONE: 919.267.3004
EMAIL: INFO@EQUAGEN.COM

DRAWN BY:	DG
CHECKED BY:	MKC
DATE:	07/20/2022
SCALE:	AS SHOWN
S501	22-3009



1 ROOF FRAMING PLAN
SCALE: 1/4" = 1'-0"

GENERAL ROOF FRAMING PLAN NOTES:

- AS SHOWN IN "ATTIC FLOOR FRAMING PLAN (TOP LEVEL ROOF)", INSTALL (6) 4x4 ALONG EACH WALL 1 AND (8) 4x4 ALONG EACH WALL. CONNECT LB1 TO EACH 4x4 USING TWO 3/4" DIA. THROUGH BOLTS WITH WASHERS AND NUTS.
- USE SIMPSON LRU2BZ, OR EQUAL, HANGERS TO CONNECT RAFTERS TO LB1. USE (6) SD# 10x2 1/2" CONNECTORS ON FACE AND (5) SD# 10x2 1/2" ON JOIST.
- THE 2x8 RAFTERS ARE SITTING ON "WALL BELOW", I.E. TRANSFERRING LOADS.
- USE SIMPSON H2.5A, OR EQUAL, HURRICANE TIE ON "EACH" RAFTER TO CONNECT RAFTERS TO ALL WALLS "AND" BEAMS BELOW.
- AT THE BOTTOM OF ALL W1 & W2 WALLS, USE SIMPSON PSQ218, OR EQUAL, STRAP TIES TO TIE ALL 4x4 POSTS TO BEAMS BELOW WALLS, ALSO, USE SIMPSON MSTA18 OR EQUAL, STRAPS TO TIE ALL POSTS AND STUDS TO WALL BELOW.

SCHEDULE OF BEAMS		
MARK	SIZE	REMARK
LB1	(2) 1 1/2" x 14"	LVL (SEE WOOD NOTES FOR ATTACHMENT)
HB1	(4) 2 x 12	SEE WOOD NOTES FOR ATTACHMENT.

REVISIONS	
NO.	DATE DESCRIPTIONS
0	07/20/2022 FOR SUBMITTAL

**ROOF FRAMING PLAN
(LOWER LEVEL ROOF)**

**SITE ADDRESS:
80 BAY ST.,
FUQUAY-VARINA, NC 27526**

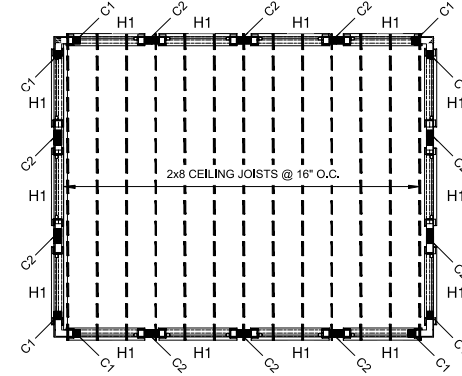
PROFESSIONAL SEAL



**8045 ARCO CORPORATE DR.,
RALEIGH, NC 27617
PHONE: 919.267.3004
EMAIL: INFO@EQUAGEN.COM**

DRAWN BY:	DG
CHECKED BY:	MKC
DATE:	07/20/2022
SCALE:	AS SHOWN

S601 22-3009



1 ATTIC FLOOR FRAMING PLAN (TOP LEVEL ROOF)
SCALE: 1/4" = 1'-0"

NOTES:

- SEE NOTE 1 OF "ROOF FRAMING PLAN (LOWER LEVEL ROOF)" FOR CONNECTION OF C1 & C2 POSTS TO L1.
- AS SHOWN IN "ATTIC FLOOR FRAMING PLAN (TOP LEVEL ROOF)", INSTALL (6) 4X4 ALONG EACH WALL 1 AND (6) 4X4 ALONG EACH WALL 2. CONNECT L1 TO EACH 4X4 USING TWO 3/4" DIA. THROUGH BOLTS WITH WASHERS AND NUTS.

SCHEDULE OF POSTS AND HEADER		
MARK	SIZE	REMARK
C1	4 x 4	POST BELOW
C2	(2) 4 x 4	POST BELOW
H1	(2) 2 x 10	HEADER BELOW (SEE WOOD NOTES FOR ATTACHMENT)

NO.	DATE	FOR SUBMITTAL DESCRIPTIONS
0	07/20/2022	

**ATTIC FLOOR FRAMING PLAN
(TOP LEVEL ROOF)**

**SITE ADDRESS:
80 BAY ST.,
FUQUAY-VARINA, NC 27526**



EEI EQUAGEN
ENGINEERING & INSPECTIONS

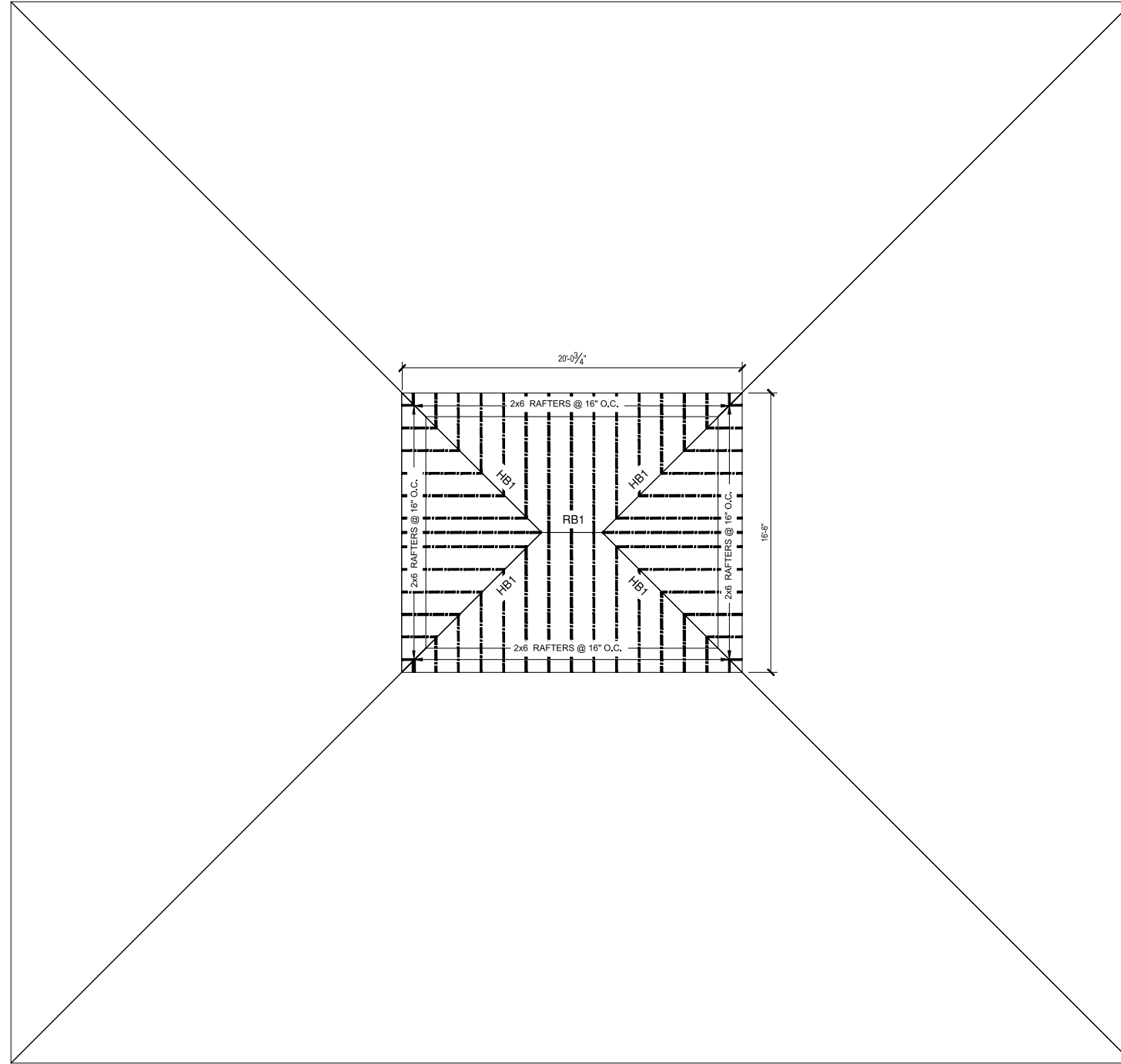
FIRM LIC. # 1869

**8045 ARCO CORPORATE DR.,
RALEIGH, NC 27617
PHONE: 919.267.3004
EMAIL: INFO@EQUAGEN.COM**

DRAWN BY:	DG
CHECKED BY:	MKC
DATE:	07/20/2022
SCALE:	AS SHOWN

S701 22-3009

REVISIONS



1 ROOF FRAMING PLAN (TOP LEVEL)
SCALE: 1/4" = 1'-0"

NOTES:

- USE SIMPSON H2.5A, OR EQUAL, HURRICANE TIE ON "EACH" RAFTER TO FASTEN RAFTERS TO THE TOP OF WALLS BELOW.

SCHEDULE OF BEAMS		
MARK	SIZE	REMARK
RB1	2X8	RIDGE
HB1	(2) 2X8	HIP (SEE WOOD NOTES FOR ATTACHMENT)

NO.	DATE	FOR SUBMITTAL DESCRIPTIONS
0	07/20/2022	

REVISIONS

ROOF FRAMING PLAN
(TOP LEVEL)

SITE ADDRESS:
80 BAY ST.,
FUQUAY-VARINA, NC 27526

PROFESSIONAL SEAL



H. Dornohammidi

07/20/2022



FIRM LIC. # 1869
8045 ARCO CORPORATE DR.,
RALEIGH, NC 27617
PHONE: 919.267.3004
EMAIL: INFO@EQUAGEN.COM

DRAWN BY:	DG
CHECKED BY:	MKC
DATE:	07/20/2022
SCALE:	AS SHOWN

S801 22-3009

WALL BRACING PER IRC 2015 PRESCRIPTIVE METHOD

LOCAL WIND / SEISMIC DESIGN CATEGORY: B

BRACED WALL PANEL LEGEND:

WSP (XX)
LENGTH OF WALL PANEL IN INCHES
AT EXTERIOR FACE OF WALL:
WOOD STRUCTURAL PANEL 7/16" OSB WALL SHEATHING w/ 8d COMMON NAILS (2 1/2"x0.131") AT 4" OC AT EDGES & 12" OC AT INTERMEDIATE SUPPORTS
AN ALTERNATIVE:
16 GAUGE x 1 3/4" STAPLES AT 3" OC AT EDGES & 6" OC AT INTERMEDIATE SUPPORTS
AT INTERIOR FACE OF WALL:
1/2" GYPSUM BOARD/SHEATHING WITH 5d COOLER NAILS AT 4" OC AT EDGES AND INTERMEDIATE SUPPORTS.

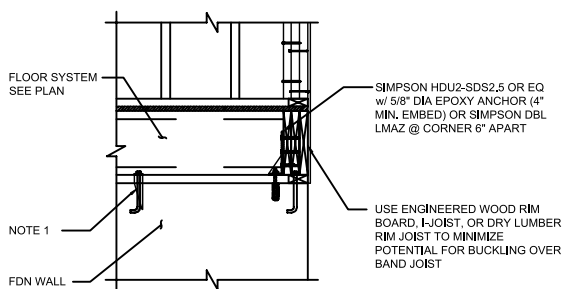
GB (XX)
LENGTH OF WALL PANEL IN INCHES
1/2" GYPSUM SHEATHING W/ 13 GAUGE, 1 3/8" LONG, 19/64" HEAD NAIL OR 0.098" DIA, 1 1/4" LONG, ANNULAR-RINGED NAIL OR 5d COOLER NAIL, 0.086" DIA, 1 5/8" LONG, 15/64" HEAD, OR GYPSUM BOARD NAIL W/ 0.086" DIA, 1 5/8" LONG, 9/32" HEAD @ 4" OC AT EDGES AND INTERMEDIATE SUPPORTS, OR 1 1/4" SCREWS TYPE W OR S, 12" OC W/ 4" AT EDGES AND INTERMEDIATE SUPPORTS W/ MIN 5/8" PENETRATION TO WOOD FRAMING.

NOTE:
WSP = WOOD STRUCTURAL PANEL | CS = CONTINUOUSLY SHEATHED
PF = PORTAL FRAME | GB = GYPSUM BOARD

FOR CONTINUOUS SHEATHING BRACED WALL METHOD, PROVIDE:

- AT EXTERIOR FACE OF WALL:
7/16" OSB WITH 8d NAILS AT 4" OC ON EDGES AND 12" OC ON FIELD.
- AT INTERIOR FACE OF WALL:
1/2" GYPSUM BOARD/SHEATHING WITH 5d COOLER NAILS AT 4" OC AT EDGES AND INTERMEDIATE SUPPORTS.

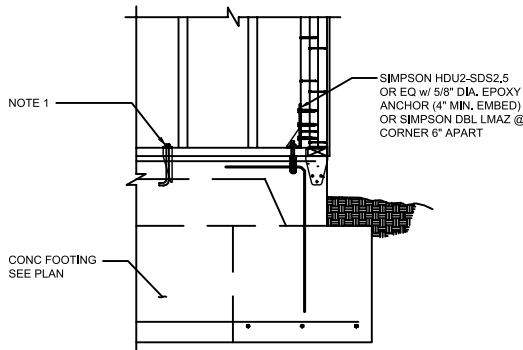
SHEATHING SHALL BE EXTENDED CONTINUOUS 12" ABOVE AND BELOW THE FLOOR SYSTEM.



FOUNDATION WALL CONDITION

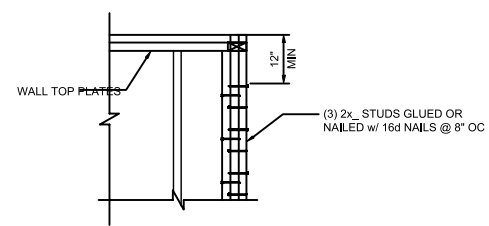
NOTE 1:
1/2" DIA ANCHOR BOLTS (7" MIN EMBED) w/ 2"x2"x3/16" WASHER PLATES @ 4'-0" OC MAX AT 12" MAX FROM EA END OF WALL.

AN ALTERNATIVE: USE SIMPSON STRAPS LMA4/LMA6 @ 3'-0" OC, TYP.

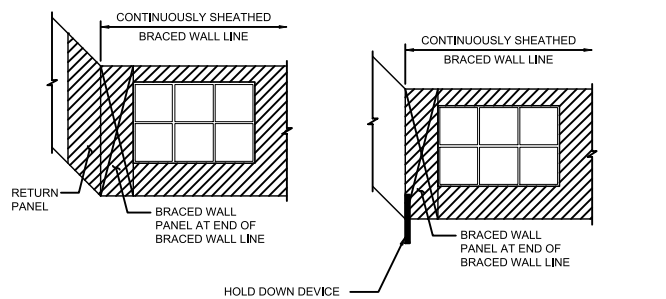


SLAB ON GRADE CONDITION

1 HOLD-DOWN DETAIL SCALE : NTS AT CONCRETE FOUNDATION



2 HOLD-DOWN DETAIL SCALE : NTS AT RAISED WOOD FLOOR



END CONDITION - 1

END CONDITION - 2

END CONDITION - 3

END CONDITION - 4

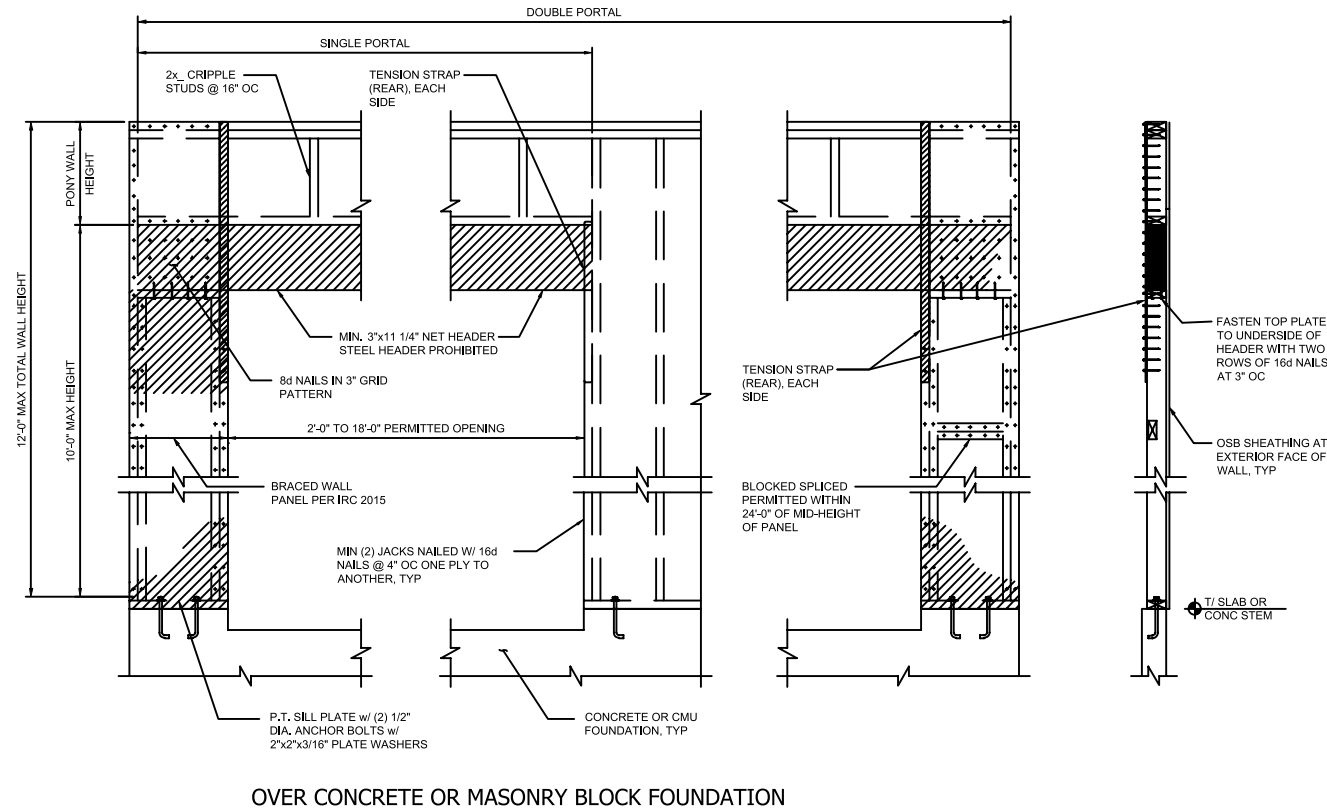
END CONDITION - 3

END CONDITION - 4

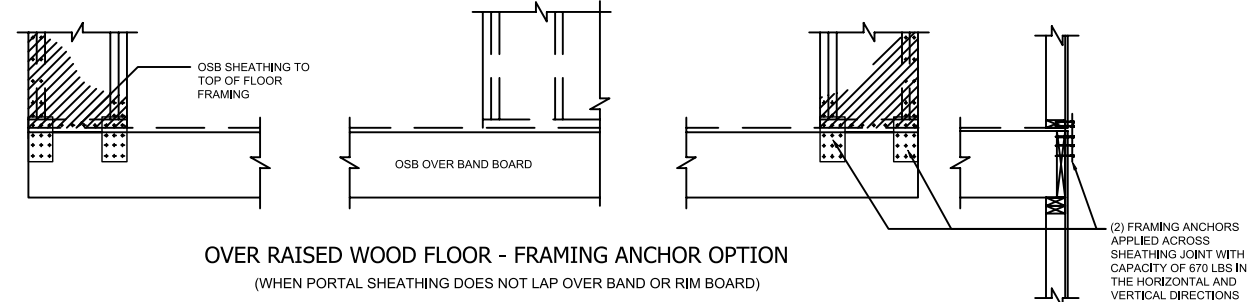
END CONDITION - 5

3 END CONDITIONS FOR BRACED WALL LINES WITH CONTINUOUS SHEATHING METHOD SCALE : NTS

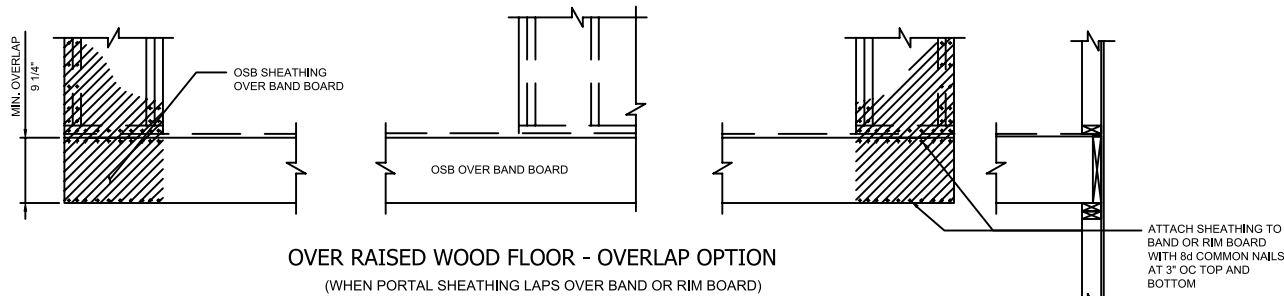
RETURN PANEL OR DISTANCE "D"
24" FOR BRACED WALL LINES SHEATHED WITH WOOD STRUCTURAL PANELS.
32" FOR BRACED WALL LINES SHEATHED WITH STRUCTURAL FIBERBOARD.
HOLD DOWN DEVICE
800 LBS CAPACITY FASTENED TO THE EDGE OF THE BRACED WALL PANEL CLOSEST TO THE CORNER AND TOE THE FOUNDATION OR FLOOR FRAMING BELOW.



OVER CONCRETE OR MASONRY BLOCK FOUNDATION



OVER RAISED WOOD FLOOR - FRAMING ANCHOR OPTION
(WHEN PORTAL SHEATHING DOES NOT LAP OVER BAND OR RIM BOARD)



OVER RAISED WOOD FLOOR - OVERLAP OPTION
(WHEN PORTAL SHEATHING LAPS OVER BAND OR RIM BOARD)

FRONT ELEVATION

SECTION

4 CONTINUOUS SHEATHING PORTAL FRAME (CS-PF) SCALE : NTS

REFERENCE: IRC 2015 FIG. R602.10.6.4

PORTAL FRAME REQUIREMENTS										
MIN. SIZE & GRADE OF WALL STUDS	MAX. PONY WALL HEIGHT (FEET)	MAX. TOTAL WALL HEIGHT (FEET)	MAX. OPENING WIDTH (FEET)	REQUIRED TENSION CAPACITY OF STRAP (LBS)	MIN. SIZE & GRADE OF WALL STUDS	MAX. PONY WALL HEIGHT (FEET)	MAX. TOTAL WALL HEIGHT (FEET)	MAX. OPENING WIDTH (FEET)	REQUIRED TENSION CAPACITY OF STRAP (LBS)	
2x4 SPF #1/#2 GRADE	0	10	18	1000	2x4 #2 GRADE	2	12	18	3850	
			9	1000				9	2350	
			16	1000				16	DESIGN REQUIRED	
			18	1200				9	1000	
			9	1000				16	2050	
			16	2025				18	2450	
	2	10	10	18	2400	2x6 STUD GRADE	2	12	9	1500
				9	1200				16	3150
				16	3200				18	3675
				9	1200				16	3150
				18	2400				9	1500
				16	3200				18	3675

REVISIONS			
NO.	DATE	DESCRIPTIONS	
0	07/20/2022	FOR SUBMITAL	

TYPICAL WALL BRACING DETAILS
SITE ADDRESS:
80 BAY ST.
FUQUAY-VARINA, NC 27526

PROFESSIONAL SEAL

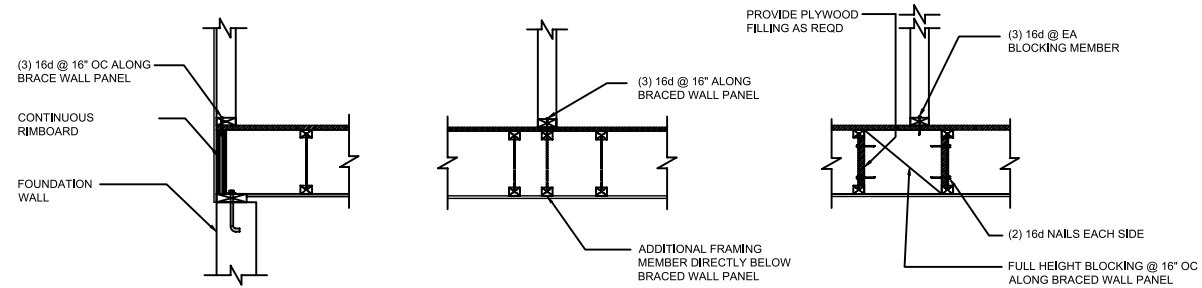


07/20/2022

E.E. EQUAGEN
ENGINEERING & INSPECTIONS
FIRM # P-1869
8045 ARCO CORPORATE DR.,
RALEIGH, NC 27617
PHONE: 919.267.3004
EMAIL: INFO@EQUAGEN.COM

DRAWN BY:	DG
CHECKED BY:	MKC
DATE:	07/20/2022
SCALE:	AS SHOWN

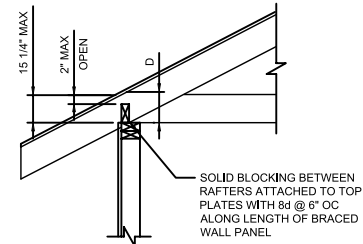
S901 22-3009



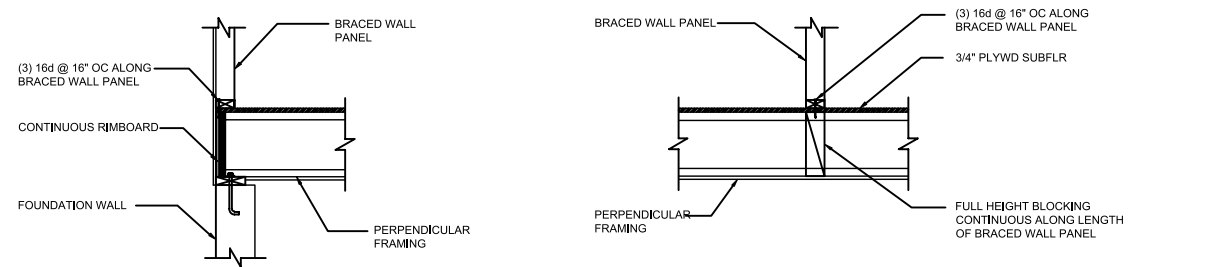
1 BRACED WALL PANEL CONNECTION WHEN PARALLEL TO FLOOR/CEILING FRAMING
SCALE : NTS TYPICAL FLOOR/CEILING FRAMING CONNECTIONS

ROOF FRAMING BLOCKING		
DISTANCE, D	REQUIREMENT	REF. DETAIL
0 - 9 1/4"	NO BLOCKING REQUIRED	NONE
9 1/4" - 11 1/4"	SOLID 2x BLOCKING BETWEEN RAFTERS OR TRUSSES	DETAIL 3
11 1/4" - 48"	SOFFIT BLOCKING OR VERTICAL BLOCKING PANEL	DETAIL 4 OR DETAIL 5
OVER 48"	ENGINEERED DESIGN REQUIRED	NONE

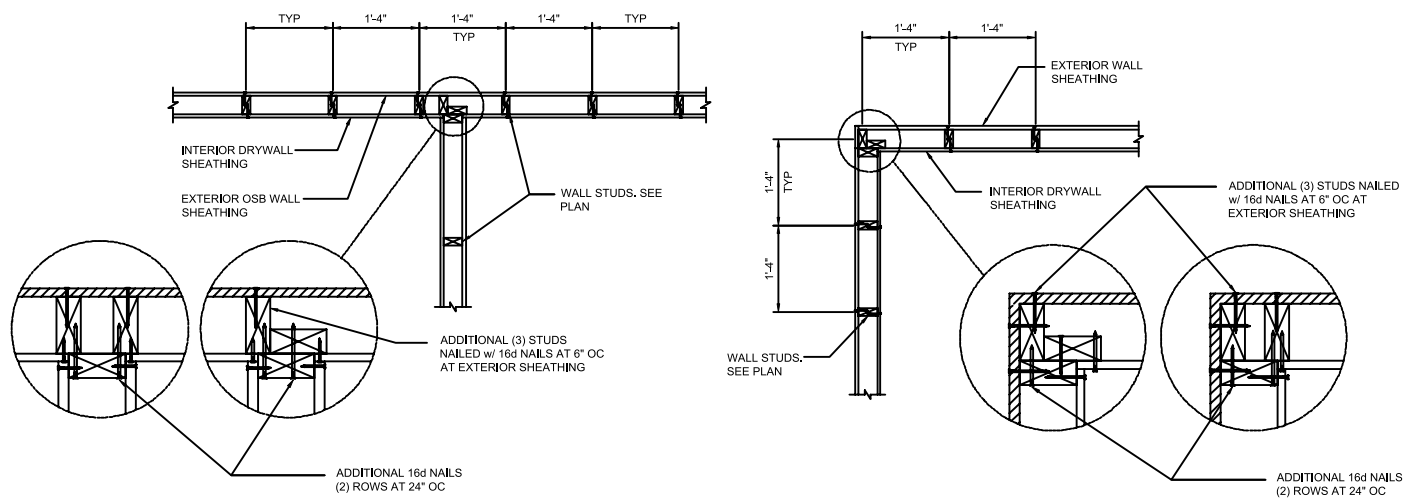
NOTE:
D: DISTANCE FROM TOP OF BRACING UNIT TO TOP OF ROOF SHEATHING



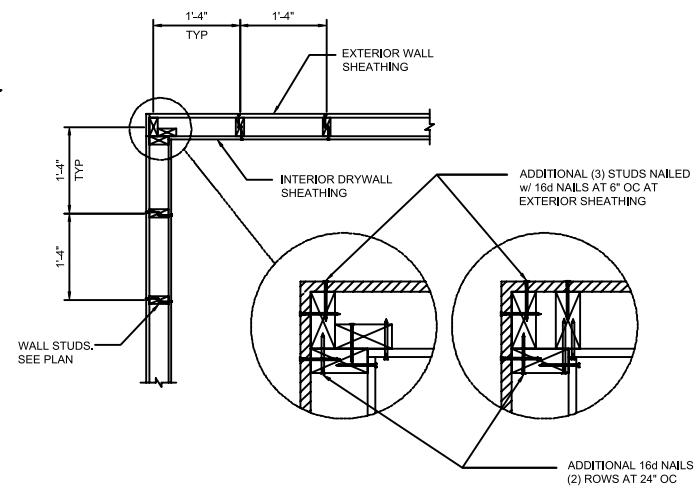
3 BLOCKING BETWEEN ROOF FRAMING MEMBERS
SCALE : NTS TYPICAL ROOF FRAMING CONNECTIONS



2 BRACED WALL PANEL CONNECTION WHEN PERPENDICULAR TO FLOOR/CEILING FRAMING
SCALE : NTS TYPICAL FLOOR/CEILING FRAMING CONNECTIONS



6 FRAMING DETAIL AT WALL INTERSECTIONS
SCALE : NTS



7 FRAMING DETAIL AT WALL CORNERS
SCALE : NTS

NOTE: USE WOOD TO METAL SCREWS @ 2" o.c. FOR CORNER HSS POST AND STUD WALL CONNECTION

NO.		DATE	DESCRIPTIONS
0	07/20/2022	FOR SUBMITAL	

TYPICAL WALL BRACING & TYPICAL ROOF DETAILS

SITE ADDRESS:
80 BAY ST.
FUQUAY-VARINA, NC 27526

PROFESSIONAL SEAL



07/20/2022

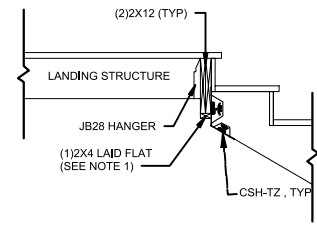


FIRM # P-1869
8045 ARCO CORPORATE DR.,
RALEIGH, NC 27617
PHONE: 919.267.3004
EMAIL: INFO@EQUAGEN.COM

DRAWN BY:	DG
CHECKED BY:	MKC
DATE:	07/20/2022
SCALE:	AS SHOWN

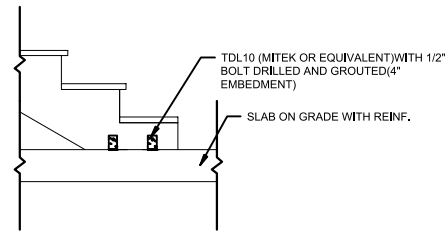
S902 22-3009

REVISIONS



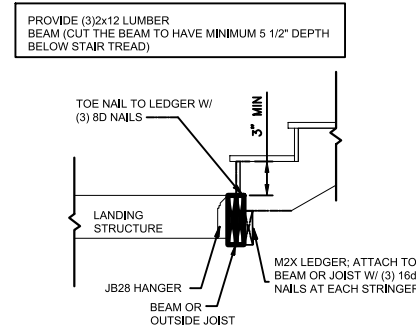
NOTE:
1. PROVIDE (4) 1/4" LAG SCREWS TO CONNECT (1) 2x4 TO BS2 AT BS3/BS4 LOCATION. IN BETWEEN PROVIDE (2) 1/4" LAG SCREWS

1 STRINGER BEAM CONN. TO GIRDER
SCALE: NTS



NOTE: SEE DETAIL 05 FOR EXTENT OF STRINGER BEAM TO BE NOTCHED

2 STRINGER BEAM SUPPORT AT FIRST FLOOR LVL
SCALE: NTS



3 STRINGER BEAM DETAIL -2
SCALE: NTS

NO.	DATE	DESCRIPTIONS
0	07/20/2022	FOR SUBMITAL

TYPICAL DETAILS

SITE ADDRESS:
80 BAY ST.
FUQUAY-VARINA, NC 27526

PROFESSIONAL SEAL



H. P. ...

07/20/2022



FIRM # P-1869
8045 ARCO CORPORATE DR.,
RALEIGH, NC 27617
PHONE: 919.267.3004
EMAIL: INFO@EQUAGEN.COM

DRAWN BY:	DG
CHECKED BY:	MKC
DATE:	07/20/2022
SCALE:	AS SHOWN

S903 22-3009

REVISIONS