

FRONT ELEVATION 5

SCALE: 1/8" = 1'-0"



REAR ELEVATION 5

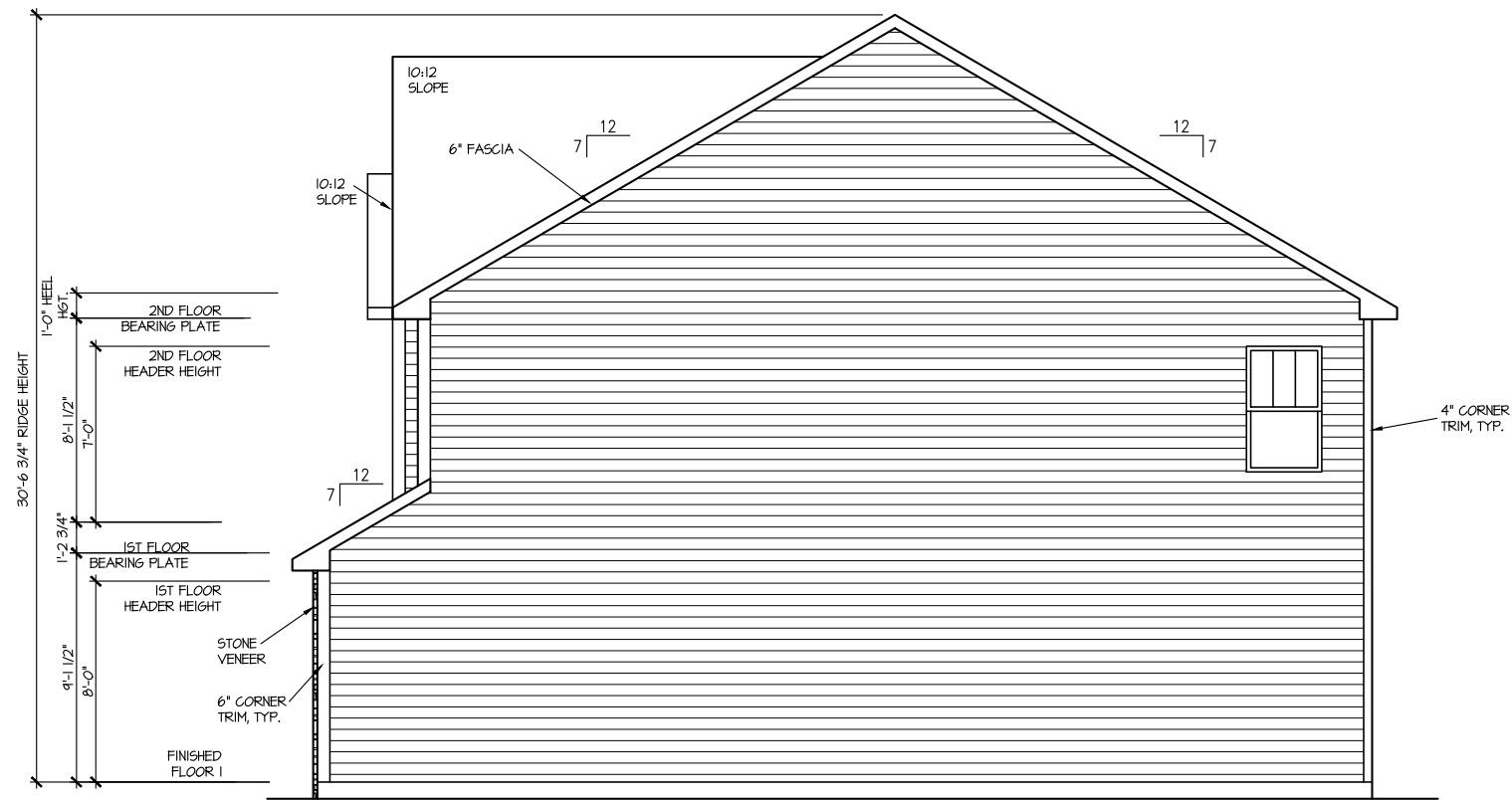
SCALE: 1/8" = 1'-0"

MASTER PLAN INFORMATION	
REVISION	DATE
RS-RALE	10-17-19
UPDATED DATE	1-31-22

DRAWN BY:	ITS
DATE:	03/11/2022
PLAN NO.	1998

HOUSE NAME:	CAMERON
DRAWING TITLE	FRONT & REAR ELEVATIONS

SHEET No.	A.1
-----------	-----



RIGHT ELEVATION 5

SCALE: 1/8" = 1'-0"



LEFT ELEVATION 5

SCALE: 1/8" = 1'-0"

MASTER PLAN INFORMATION	
REVISION	DATE
R5-RALE	10-17-19
UPDATED DATE	1-31-22

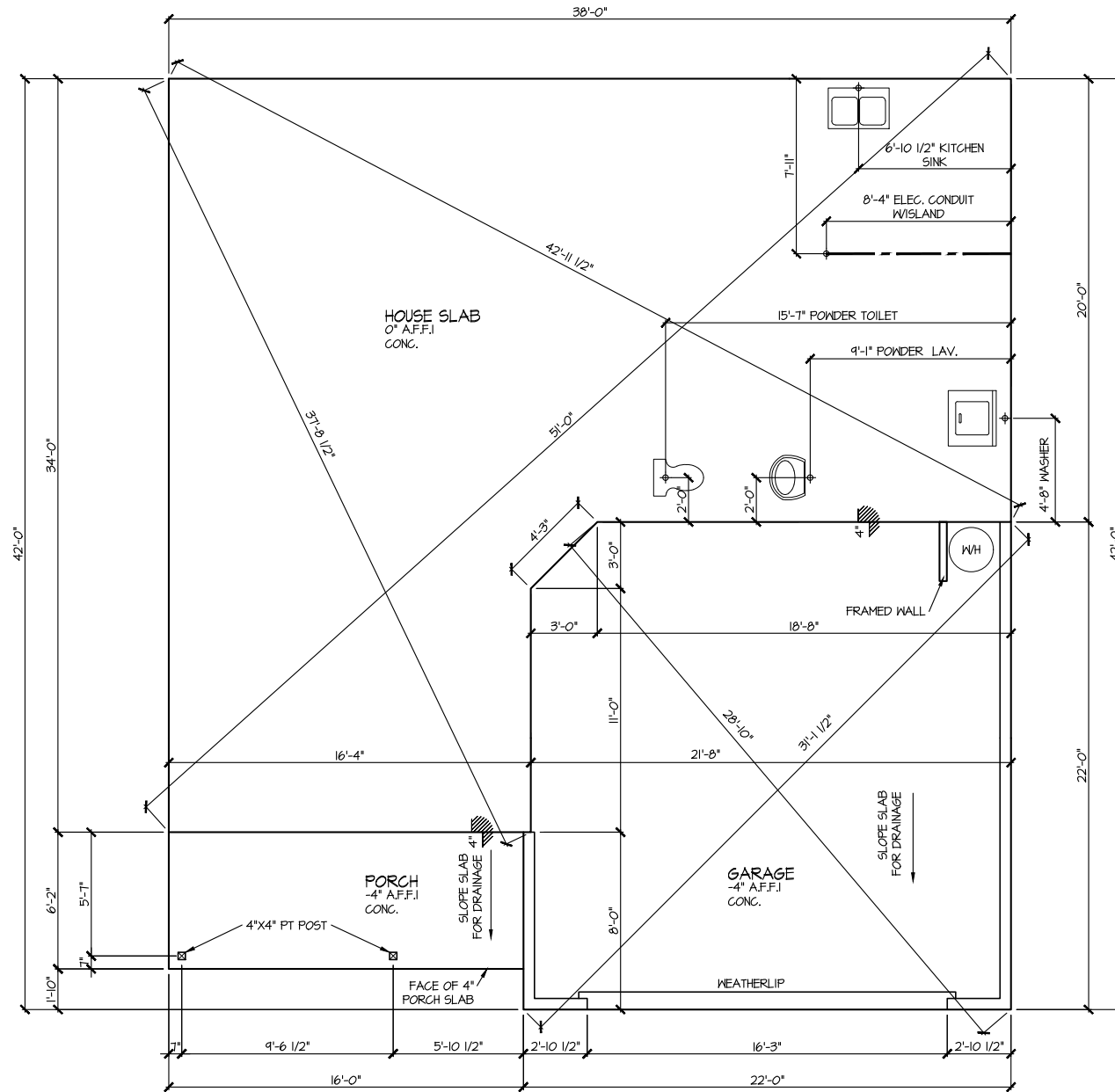
DRAWN BY:	ITS
DATE:	03/11/2022
PLAN NO.	1998






HOUSE NAME:	CAMERON
DRAWING TITLE	RIGHT & LEFT ELEVATIONS

SHEET No.	A1.2
-----------	------



**ELEVATION 5
SLAB PLAN**

SCALE: 1/8" = 1'-0"

MASTER PLAN INFORMATION

REVISION	DATE	UPDATED DATE
R5-RALE	10-17-19	1-31-22

DRAWN BY:

ITS

DATE:

03/11/2022

PLAN NO.

1998

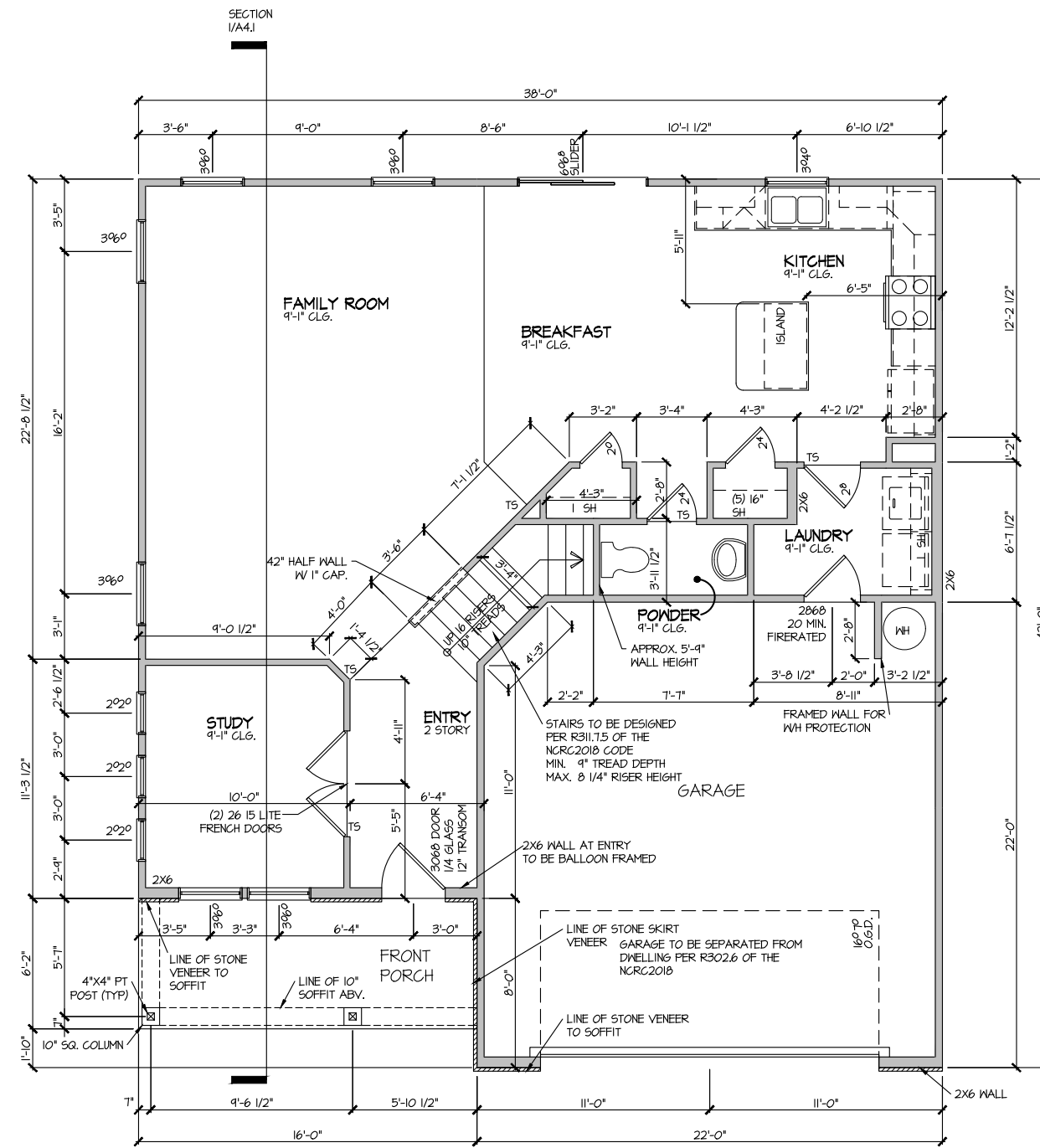


HOUSE NAME:
CAMERON

DRAWING TITLE
SLAB PLAN

SHEET No.

A2.1



**ELEVATION 5
FIRST FLOOR PLAN**

SCALE: 1/8" = 1'-0"

MASTER PLAN INFORMATION	
REVISION	DATE
RS-RALE	10-17-19
UPDATED DATE	1-31-22

DRAWN BY:	ITS
DATE:	03/11/2022
PLAN NO.	1998

DRB
DRB GROUP

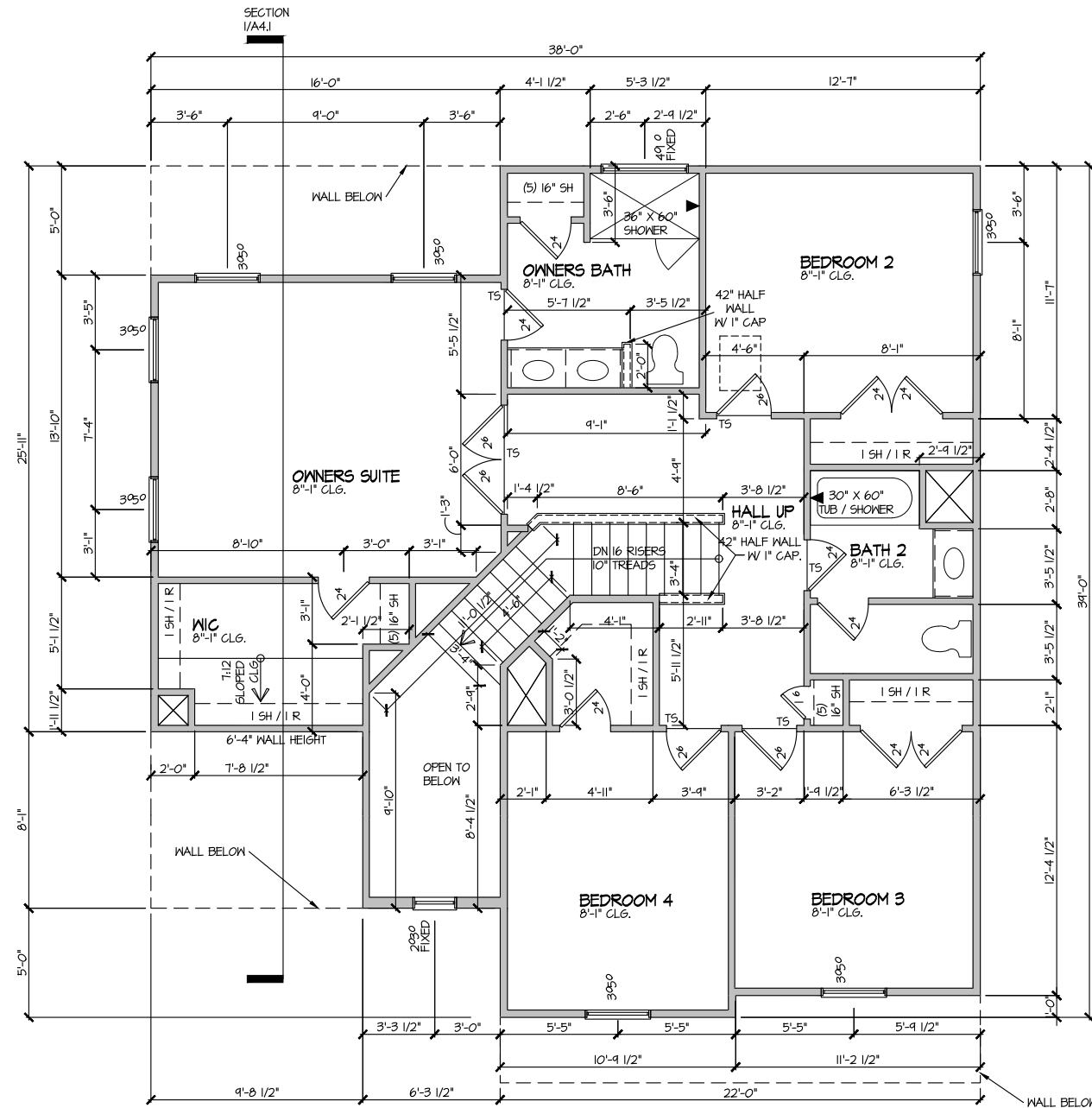
DAN RYAN
DIVISION

FIELDING
CORPORATION

DRB
CORPORATION

HOUSE NAME:	CAMERON
DRAWING TITLE	FIRST FLOOR PLAN

SHEET No.	A3.1
-----------	------



**ELEVATION 5
SECOND FLOOR PLAN**

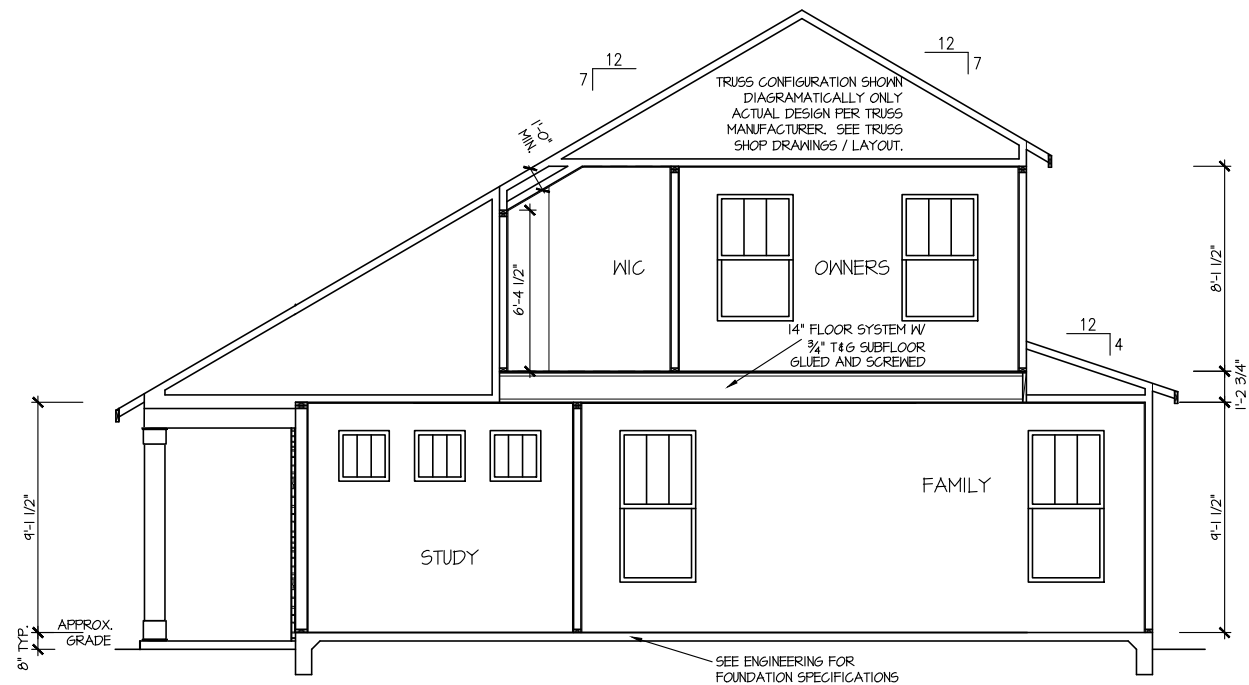
SCALE: 1/8" = 1'-0"

MASTER PLAN INFORMATION	
REVISION	DATE
RS-RALE	10-17-19
UPDATED DATE	1-31-22

DRAWN BY:	ITS
DATE:	03/11/2022
PLAN NO.	1998

HOUSE NAME:	CAMERON
DRAWING TITLE	SECOND FLOOR PLAN

SHEET No.	A3.2
-----------	------



SECTION I

SCALE: 1/8" = 1'-0"

MASTER PLAN INFORMATION		UPDATED DATE
REVISION	DATE	
R5-RALE	10-17-19	1-31-22

DRAWN BY:	ITS
DATE:	03/11/2022
PLAN NO.	1998

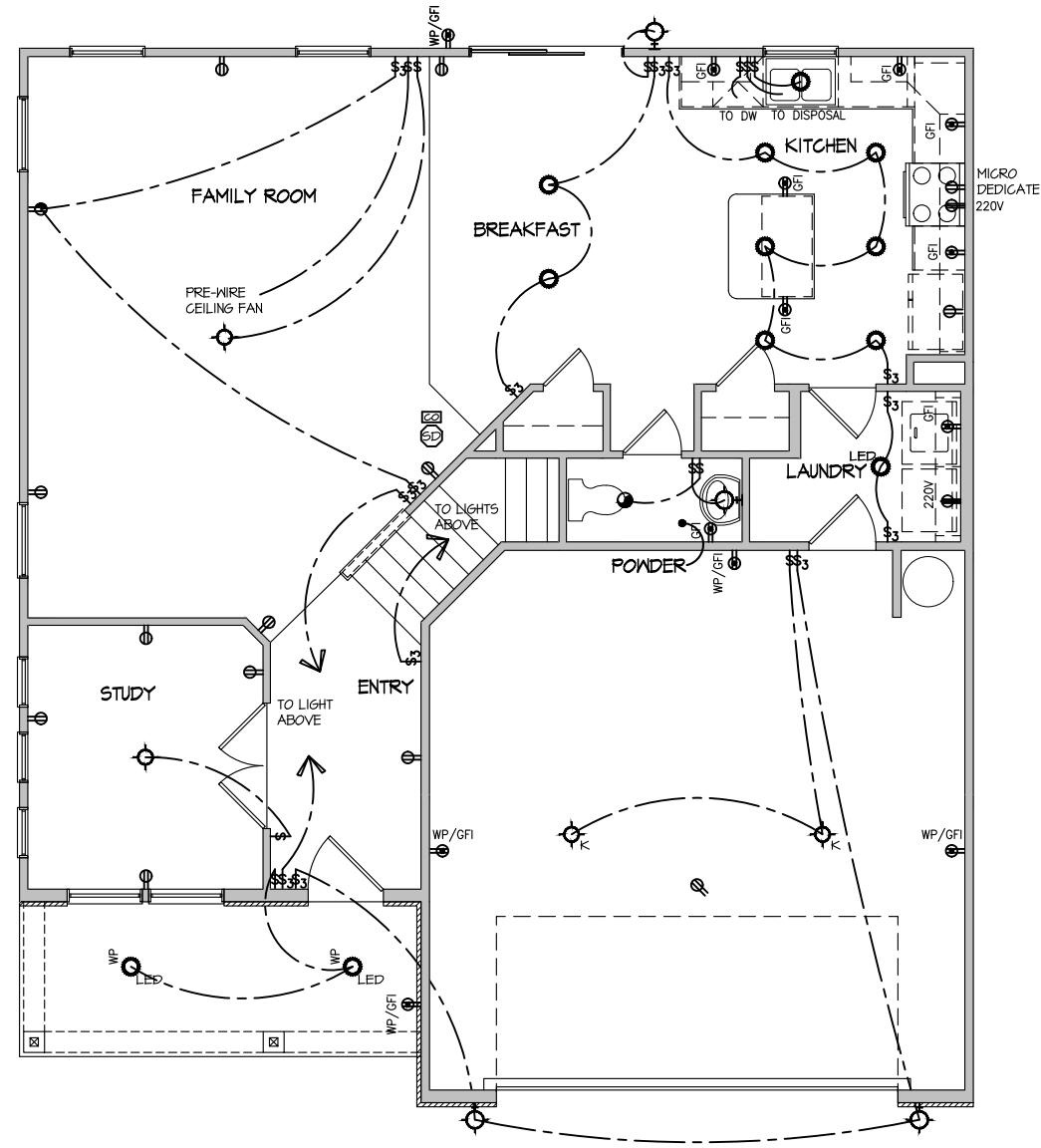
HOUSE NAME:	CAMERON
DRAWING TITLE	BUILDING SECTION

SHEET No.	A4.1
-----------	------

ELECTRICAL LEGEND

- ⊕ SINGLE POLE SWITCH
- ⊕₃ THREE WAY SWITCH
- ⊕₄ FOUR WAY SWITCH
- ⊕⊖ DUPLEX AFCI RECEPTACLE
- ⊕⊖⊔ DUPLEX AFCI RECEPTACLE - BOTTOM HALF SWITCHED
- ⊕⊖⊔ DUPLEX AFCI RECEPTACLE - FLOOR MOUNTED
- 220V ⊕ RECEPTACLE - 220V
- GFI ⊕⊖ DUPLEX AFCI RECEPTACLE - GFI
- WP/GFI ⊕⊖ DUPLEX AFCI RECEPTACLE - WATERPROOF GFI
- ⊕⊖ SMOKE DETECTOR - WIRED IN SERIES
- ⊕ EXHAUST FAN MOTOR
- ⊕ CO DETECTOR
- ⊕ DOOR CHIME
- ⊕ LIGHT FIXTURE - WALL MOUNTED
- ⊕ LIGHT FIXTURE - CEILING MOUNTED
- ⊕ LIGHT FIXTURE - RECESSED CAN
- LED LIGHT FIXTURE - LED SURFACE MOUNTED
- ⊕ FULLCHAIN LAMPHOLDER
- ⊕ KEYLESS LAMPHOLDER

NOTE: ALL ELECTRICAL WORK SHALL CONFORM TO THE REQUIREMENTS OF THE ADOPTED VERSION OF THE NATIONAL ELECTRICAL CODE, THE LOCAL POWER COMPANY AND TO ALL APPLICABLE LOCAL REGULATIONS.



**ELECTRICAL PLAN
FIRST FLOOR - ELEV. 5**
SCALE: 1/8" = 1'-0"

MASTER PLAN INFORMATION	
REVISION DATE	UPDATED DATE
R5-RALE 10-17-19	1-31-22

DRAWN BY:	ITS
DATE:	03/11/2022
PLAN NO.	1998

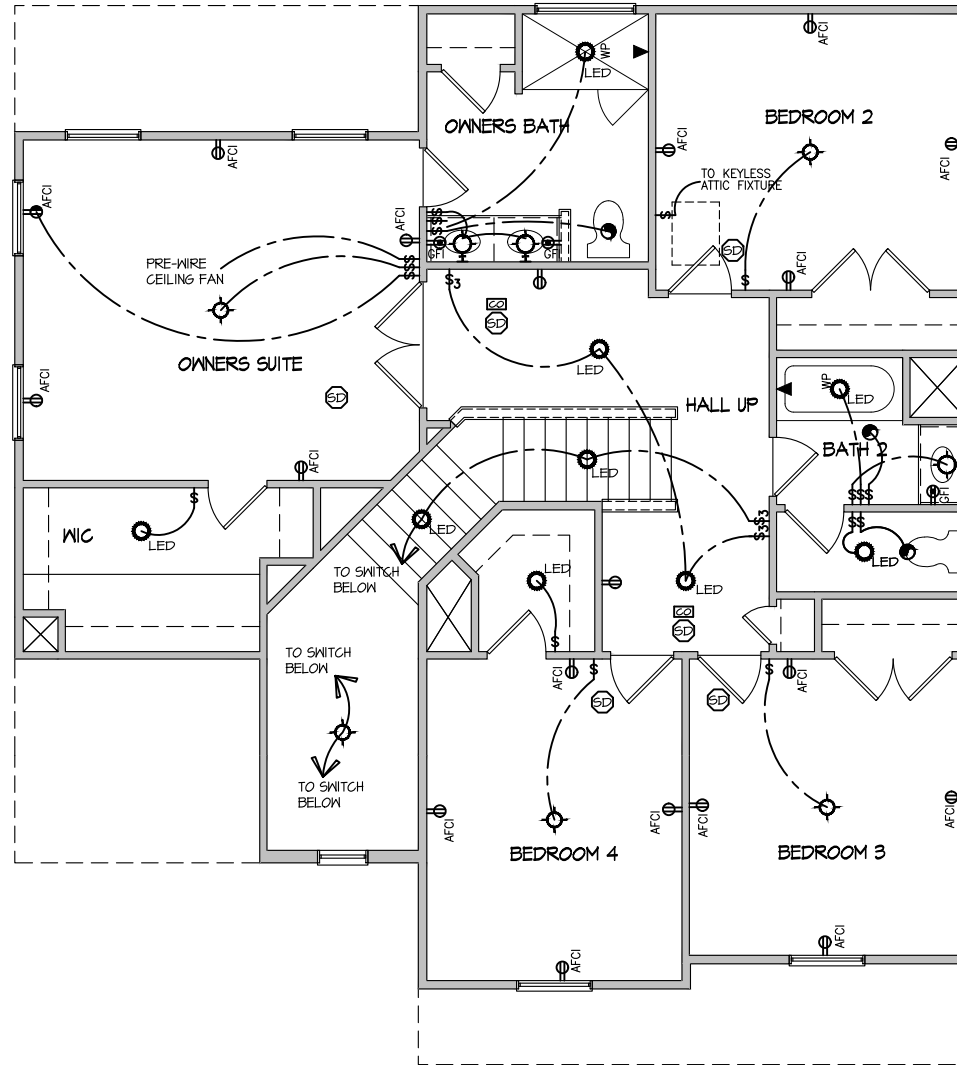
HOUSE NAME:	CAMERON
DRAWING TITLE	FIRST FLOOR ELECTRICAL

SHEET No.	E.1
-----------	-----

ELECTRICAL LEGEND

- Ⓢ SINGLE POLE SWITCH
- Ⓢ₃ THREE WAY SWITCH
- Ⓢ₄ FOUR WAY SWITCH
- ⓈⓈ DUPLEX AFCI RECEPTACLE
- ⓈⓈ_B DUPLEX AFCI RECEPTACLE - BOTTOM HALF SWITCHED
- ⓈⓈ_F DUPLEX AFCI RECEPTACLE - FLOOR MOUNTED
- 220V Ⓢ RECEPTACLE - 220V
- GF Ⓢ DUPLEX AFCI RECEPTACLE - GFI
- WP/GF Ⓢ DUPLEX AFCI RECEPTACLE - WATERPROOF GFI
- ⓈⓈ_{SD} SMOKE DETECTOR - WIRED IN SERIES
- ⓈⓈ_{EF} EXHAUST FAN MOTOR
- ⓈⓈ_{CO} CO DETECTOR
- ⓈⓈ_{DC} DOOR CHIME
- ⓈⓈ_{LM} LIGHT FIXTURE - WALL MOUNTED
- ⓈⓈ_{LC} LIGHT FIXTURE - CEILING MOUNTED
- ⓈⓈ_{RC} LIGHT FIXTURE - RECESSED CAN
- ⓈⓈ_{LS} LIGHT FIXTURE - LED SURFACE MOUNTED
- ⓈⓈ_{LP} FULLCHAIN LAMPHOLDER
- ⓈⓈ_{LK} KEYLESS LAMPHOLDER

NOTE: ALL ELECTRICAL WORK SHALL CONFORM TO THE REQUIREMENTS OF THE ADOPTED VERSION OF THE NATIONAL ELECTRICAL CODE, THE LOCAL POWER COMPANY AND TO ALL APPLICABLE LOCAL REGULATIONS.



**ELECTRICAL PLAN
SECOND FLOOR - ELEV. 5**

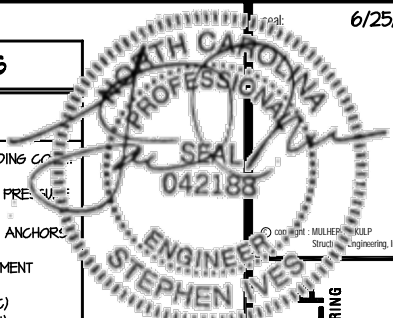
SCALE: 1/8" = 1'-0"

MASTER PLAN INFORMATION	
REVISION	DATE
RS-RALE	10-17-19
UPDATED DATE	1-31-22

DRAWN BY:	ITS
DATE:	03/11/2022
PLAN NO.	1998

HOUSE NAME:	CAMERON
DRAWING TITLE	SECOND FLOOR ELECTRICAL

SHEET No.	E1.2
-----------	------



MULHERN+KULP
RESIDENTIAL STRUCTURAL ENGINEERING
300 Brookside Ave., Building 4 • Amber, PA 19002
P 215-946-8001 • mulhern+kulp.com
NC LIC. #C-3825

M&K project number:
126-21011
project mgr: JTR
drawn by: MDH
issue date: 06-25-21

REVISIONS:
date: initial



General Notes
CAMERON MODEL
RALEIGH, NC

sheet:
50.0

GENERAL STRUCTURAL NOTES

FOUNDATION

• DESIGN IS BASED ON 2018 NORTH CAROLINA STATE BUILDING CODE, RESIDENTIAL CODE.
• FOOTING DESIGN - 2,000 PSF ALLOWABLE SOIL BEARING PRESSURE IS ASSUMED. BUILDER/CONTRACTOR MUST VERIFY.
• FASTEN 2x4/6 SILL PLATES TO FND WITH A MINIMUM OF 2 ANCHORS PER PLATE, 12" MAX. FROM PLATE ENDS - UTILIZING:
• 1/2" DIA. ANCHOR BOLTS @ 6'-0" O.C., 7" MIN. EMBEDMENT (CONG), 15" MIN. EMBEDMENT (CMU)
• SIMPSON MASA ANCHOR STRAPS @ 6'-0" O.C. (CONG)
• SIMPSON MAB23 ANCHOR STRAPS @ 2'-8" O.C. (CMU)
(REFER TO DETAILS FOR 10' TALL WALL ANCHOR REQUIREMENTS)
• ALL LUMBER EXPOSED TO WEATHER OR IN CONTACT W/ CONCRETE OR CMU SHALL BE PRESERVATIVE TREATED SOUTHERN PINE #2.
• BUILDER TO VERIFY CORROSION-RESISTANCE COMPATIBILITY OF HARDWARE & FASTENERS IN CONTACT W/ PRESERVATIVE-TREATED WOOD. CONTACT LUMBER & HARDWARE SUPPLIERS TO COORD.
• BASEMENT INTERIOR BEARING WALLS & EXTERIOR WALK-OUT BASEMENT WALLS SHALL BE 2x6 @ 16" O.C. SFF OR 5YP, "STUD" GRADE OR BETTER.
• CONCRETE DESIGN BASED ON AGI 318. CONCRETE SHALL ATTAIN THE FOLLOWING MIN. COMPRESSIVE STRENGTHS IN 28 DAYS, U.N.O.:
f_c = 4,000 psi: FOUNDATION WALLS
2,500 psi: FOOTINGS & INTERIOR SLABS ON GRADE
3,000 psi: GARAGE & EXTERIOR SLABS ON GRADE
f_y = 60,000 psi
• BASEMENT FOUNDATION WALL DESIGN BASED ON:
• 9' OR 10' HEIGHT (AS NOTED ON PLANS)
• TALLER WALLS MUST BE ENGINEERED.
• NOMINAL WIDTH (1 1/2" FOR 10' THICK WALL).
• BASEMENT WALL DESIGN IS BASED ON 60 PCF BACKFILL SOIL TYPE CLASSIFICATIONS (SG, ML-CI, OR CL).
• BASEMENT WALLS SHALL BE BRACED, PRIOR TO BACKFILLING, BY ADEQUATE TEMPORARY BRACINGS OR INSTALL 1st FLOOR DECK.
• PROVIDE (2) #5 BARS AROUND ALL SIDES OF OPENINGS IN CONCRETE BSMT. FND. WALL WITH 2" CLEAR. REINFORCEMENT SHALL EXTEND 12" PAST CORNER OF OPENING IN ALL DIRECTIONS.
• FOR OPENINGS UP TO 36", PROVIDE MINIMUM 10" CONCRETE DEPTH OVER OPENING OR (3)2x10 W/ (2)2x6 JACK STUDS, U.N.O.
• LARGER OPENINGS SHALL BE PER PLAN.
• ALL CONCRETE EXPOSED TO THE WEATHER SHALL NOT HAVE LESS THAN 5% OR MORE THAN 1% AIR ENTRAINMENT.
• ALL FOOTINGS SHALL BEAR AT LEAST 12" BELOW FINISH GRADE.
• FOOTINGS AND SLABS ON GRADE SHALL BEAR ON VIRGIN SOIL OR 95% COMPACTED FILL.
• PROVIDE CONTROL JOINTS AT ALL INSIDE CORNERS OF SLAB EDGES, AND OTHER LOCATIONS WHERE SLAB CRACKS ARE LIKELY TO DEVELOP.
• JOINTS SHALL BE LOCATED @ 10'-0" O.C. (RECOMMENDED) OR 15'-0" O.C. (MAXIMUM)
• JOINT GRID PATTERN SHALL BE AS CLOSE TO SQUARES AS POSSIBLE (1:1 RATIO), WITH A MAXIMUM OF 1:1.5 RATIO
• CONTROL JOINTS SHALL NOT BE INSTALLED IN STRUCTURAL SLABS
• CONCRETE MASONRY UNITS (CMU) SHALL BE ASTM C90 WITH A MIN. COMPRESSIVE STRENGTH OF 1900 psi (F_m=1500 psi). MORTAR SHALL BE ASTM C270, TYPE S. CMU DESIGN PER AGI 530 & 530.1.
• CMU FOUNDATION WALLS SHALL HAVE 'DUR-O-WALL' HORIZONTAL JOINT REINFORCEMENT (OR EQUAL) - 9 GA. MINIMUM @ 16" O.C.
• PROVIDE 2x8 x 16" LONG P.T. PLATE ON TOP OF ALL CRAML SPACE PIERS. ALL PIERS SHALL BE GROUTED SOLID.
• PROVIDE 2x6 P.T. PLATE ON INTERIOR CRAML SPACE WALLS, FASTENED PER ANCHORAGE SPECIFICATION NOTED ABOVE.
• DIMENSIONS BY OTHERS, BUILDER TO VERIFY.
• BUILDER TO VERIFY THAT MODEL HAS BEEN ADEQUATELY TREATED BY A LICENSED AND BONDED PEST CONTROL COMPANY FOR SUBTERRANEAN TERMITES. METHOD AND TYPE OF TREATMENT TO BE DETERMINED BY PEST CONTROL COMPANY.

LATERAL BRACING & SHEAR WALL SHEATHING SPECIFICATIONS

THIS MODEL HAS BEEN DESIGNED TO RESIST LATERAL FORCES RESULTING FROM:
120 MPH WIND IN 2018 NC SBC:RC
(120 MPH WIND SPEED IN ASCE 7-10 WIND MAP, PER IRC R301.2.1.1) EXP. B, RISK CAT. 2 & SEISMIC CAT. A/B.

THE DESIGN WAS COMPLETED PER 2015 IBC (SECTION 1604) & ASCE 7-10, AS PERMITTED BY R301.1.3 OF THE 2018 NC SBC:RC, OR THE SIMPLIFIED PRESCRIPTIVE PROCEDURE IN ACCORDANCE WITH THE 2015 IRC IF THE PARAMETERS OF SECTION R602.1.2 COMPLY. ACCORDINGLY, THIS MODEL, AS DOCUMENTED AND DETAILED HEREWITHIN, IS ADEQUATE TO RESIST THE CODE REQUIRED LATERAL FORCES.

DESIGN WIND UPLIFT LOADS HAVE BEEN CALCULATED UTILIZING ASCE 7-10 (ACCEPTED ENGINEERING PRACTICE) AS ALLOWED PER 2018 NC SBC:RC SECTION R602.11.1.1. THIS MODEL HAS BEEN DETAIL WHERE REQUIRED & ENGINEERED TO RESIST THE WIND UPLIFT LOAD PATH PER SECTIONS R602.3.5 & R602.11.

EXT. WALL SHEATHING SPECIFICATION

• 7/16" OSB OR 15/32" PLYWOOD:
FASTEN SHEATHING W/ 8d NAILS @ 6" O.C. AT EDGES & @ 12" O.C. IN THE PANEL FIELD. TYP. U.N.O.
• HORIZONTAL BLOCKING OF EXT. WALL/SHEAR WALL PANEL EDGES IS NOT REQUIRED BY THIS DESIGN EXCEPT FOR THOSE AREAS SPECIFICALLY NOTED.
• ALL EXT. WALLS SHALL BE CONTINUOUSLY SHEATHED AND ARE CONSIDERED SHEAR WALLS.
• ALT. STAPLE CONNECTION SPEC: 1 1/2" 16 GA STAPLES (1/4" CROWN) @ 3" O.C. AT EDGES & @ 6" O.C. IN FIELD.

BLOCKED PANEL EDGES

• AT DESIGNATED AREAS - FASTEN SHEATHING W/ 8d NAILS @ 6" O.C. AT ALL PANEL EDGES AND 12" O.C. IN THE PANEL FIELD OR 1 3/4" 16 GA STAPLES (1/4" CROWN) @ 3" O.C. AT EDGES & @ 6" O.C. IN FIELD. ALL SHEATHING PANELS SHALL BE ORIENTED AND INSTALLED FULL HEIGHT OF SHEAR WALL OR 2x HORIZONTAL BLOCKING SHALL BE PROVIDED TO SUPPORT ALL UNSUPPORTED PANEL EDGES & EDGE FASTENING.

3" O.C. EDGE NAILING

• AT DESIGNATED AREAS - FASTEN PANEL EDGES OF WOOD STRUCTURAL WALL SHEATHING TO FRAMING W/ 8d NAILS @ 3" O.C. NO STABLE ALTERNATIVE AVAILABLE AT THIS SPEC. ALL SHEATHING PANELS SHALL BE ORIENTED AND INSTALLED FULL HEIGHT OF SHEAR WALL OR 2x HORIZONTAL BLOCKING SHALL BE PROVIDED TO SUPPORT UNSUPPORTED PANEL EDGES AND 3" O.C. EDGE FASTENING.

NOTES

• SEE CONNECTION SPECIFICATIONS CHART FOR STANDARD SHEAR TRANSFER DETAILING. IF ADDITIONAL CAPACITY IS REQUIRED BY DESIGN, IT WILL BE SPECIFICALLY NOTED ON PLAN.
• DESIGN ASSUMES 16" O.C. MAX. STUD SPACING, U.N.O.
• ALL STRUCTURAL PANELS ARE TO BE DIRECTLY APPLIED TO STUD FRAMING.
• PRE-MANUFACTURED PANELIZED WALLS:
FASTEN TOGETHER END STUDS OF WALL PANELS SHEATHED W/ OSB OR PLYWOOD W/ 10d NAILS @ 4" O.C. (THRU ONE SIDE ONLY)

--- INDICATES EXTENT OF INT. OSB SHEARWALL OR 3" O.C. OSB SHEARWALL.
▶ INDICATES HOLD-DOWN BELOW

FLOOR FRAMING

• I-JOISTS/TRUSSES SHALL BE DESIGNED BY MANUF. TO MEET OR EXCEED L/480 LIVE LOAD DEFLECTION CRITERIA. (EXCLUDES MARBLE FLOORS - CONTACT MKR FOR MARBLE FLOOR DESIGNS)
• AT I-JOIST FLOORS, PROVIDE 1 1/8" MIN. OSB RIM BOARD.
• METAL HANGERS SHALL BE SPECIFIED BY MANUFACTURER, U.N.O.
• I-JOIST/TRUSS SHOP DWGS. SHALL BE SUBMITTED TO ARCH. & ENG. FOR REVIEW AND APPROVAL PRIOR TO FABRICATION OR DELIVERY.
• FLOOR SHEATHING SHALL BE 23/32" A.P.A. RATED 'STURD-I-FLOOR' 24" O.C. EXPOSURE 1 (OR APPROVED EQUAL) WITH TONGUE AND GROOVE EDGES. FASTEN TO FRAMING MEMBERS W/ 6d AND
- 2 1/2" x 0.131" NAILS @ 6" O.C. @ PANEL EDGES & @ 12" O.C. FIELD.
- 2 3/8" x 0.120" NAILS @ 4" O.C. @ PANEL EDGES & @ 8" O.C. FIELD.
- 2 3/8" x 0.113" NAILS @ 3" O.C. @ PANEL EDGES & @ 6" O.C. IN FIELD.

ROOF FRAMING

• BAY WINDOWS & SHED ROOFS (UP TO 6' SPAN) CAN BE 2x4 OR 2x6 RAFTERS & CEILING JOISTS @ 16/24" O.C.
• FASTEN EACH ROOF TRUSS TO TOP PLATE W/ SIMPSON H25T CLIP (OR APPROVED EQUAL) @ ALL BEARING POINTS. PROVIDE (2) H25T CLIPS AT 2-PLY GIRDER TRUSSES, (3) H25T CLIPS AT 3-PLY GIRDER TRUSSES & ROOF BEAMS - AT ALL BEARING POINTS.
• METAL HANGERS SHALL BE SPECIFIED BY THE MANUFACTURER, U.N.O.
• ROOF TRUSS SHOP DWGS. SHALL BE SUBMITTED TO ARCH & ENG. FOR REVIEW AND APPROVAL PRIOR TO FABRICATION OR DELIVERY.
• ERRECT AND INSTALL ROOF TRUSSES PER WTGA & TPI'S BC51-1-08 "GUIDE TO GOOD PRACTICE FOR HANDLING, INSTALLING & BRACING OF METAL PLATE CONNECTED WOOD TRUSSES."
• SUPPORT PORCH & SHORT SPAN ROOF TRUSSES W/ 2x4 LEDGER FASTENED TO FRAMING W/ (2) 3"x0.131" NAILS @ 16" O.C. (MAX 7' SPAN).
• ROOF SHEATHING SHALL BE 7/16" A.P.A. RATED SHEATHING 24/16 EXPOSURE 1 (OR APPROVED EQUAL). FASTEN TO FRAMING MEMBERS - W/ 2 1/2" x 0.131" NAILS @ 6" O.C. @ PANEL EDGES & @ 12" O.C. FIELD.
- W/ 2 3/8" x 0.120" NAILS @ 4" O.C. @ PANEL EDGES & @ 8" O.C. FIELD.
- W/ 2 3/8" x 0.113" NAILS @ 3" O.C. @ PANEL EDGES & @ 6" O.C. FIELD.

HOLD-DOWN SCHEDULE

SYMBOL	SPECIFICATION
▶ HD-1	SIMPSON HIT4 HOLD-DOWN *
▶ HD-2	SIMPSON MSTC66 STRAP TIE (CENTER STRAP ON FLOOR SYSTEM U.N.O.)
▶ HD-3	SIMPSON STHD4RJ HOLD-DOWN

ALTERNATIVE TO 55TB24 ANCHOR BOLT SPECIFICATION:
• UTILIZE SIMPSON "SET" EPOXY SYSTEM TO FASTEN 5/8" DIA. THREADED ROD INTO CONCRETE FOUNDATION. PROVIDE 12" MIN. EMBEDMENT INTO CONCRETE. INSTALL PER MANUF. RECOMMENDATIONS. DO NOT LOCATE ANCHORS WITHIN 1 3/4" OF EDGE OF FOUNDATION.

VENEER LINTEL SCHEDULE

SPAN (MAX)	HEIGHT OF VENEER ABOVE LINTEL	STEEL ANGLE SIZE
3'-0"	20 FT. MAX	L3"x3"x1/4"
	3 FT. MAX	L3"x3"x1/4"
6'-0"	12 FT. MAX	L4"x3"x1/4"
	20 FT. MAX	L5"x3"x3/8"
8'-0"	3 FT. MAX	L4"x4"x1/4" *
	12 FT. MAX	L5"x3"x3/8"
	16 FT. MAX	L6"x3"x3/8"
9'-6"	12 FT. MAX	L6"x3"x3/8"
16'-0"	2 FT. MAX	L7"x4"x1/2" **
	3 FT. MAX	L8"x4"x1/2" **

ALL LINTELS:
- SHALL SUPPORT 2 1/2" - 3 1/2" VENEER W/ 40 psi MAXIMUM HEIGHT.
- 16" SHALL HAVE 4" MIN BEARING
- 18" SHALL HAVE 8" MIN BEARING
- 18" SHALL NOT BE FASTENED BACK TO HEADER.
- 18" SHALL BE FASTENED BACK TO MOOD HEADER IN WALL @ 48" O.C. W/ 1/2" DIA. x 3 1/2" LONG LAG SCREWS IN 2" LONG VERTICALLY SLOTTED HOLES.
- MAX VENEER HT. APPLIES TO ANY PORTION OF BRICK OVER THE OPENING.
- ALL LINTELS SHALL BE LONG LEG VERTICAL.
- WHEN SUPPORTING VENEER @ 9" HIDE THE EXTERIOR TOE OF THE HORIZONTAL LEG MAY BE CUT IN THE FIELD TO BE 3/4" HIDE OVER THE BEARING LENGTH ONLY. THIS IS TO ALLOW FOR MORTAR JOINT FINISHING.
- SEE STRUCTURAL PLANS FOR ANY LINTEL CONDITION NOT ENCOMPASSED BY THE ABOVE PARAMETERS.
* FOR GREEN VENEER USE L40x3/4".
** FOR 3 1/2" VENEER ONLY. SEE PLAN FOR VENEER SUPPORT IF VENEER < 3 1/2" THICK.

GENERAL STRUCTURAL NOTES

• DESIGN IS BASED ON 2018 NORTH CAROLINA STATE BUILDING CODE, RESIDENTIAL CODE.
• WOOD FRAME ENGINEERING IS BASED ON NDS, "NATIONAL DESIGN SPECIFICATION FOR WOOD CONSTRUCTION" - LATEST EDITION.
• DESIGN LOADS:
ROOF DEAD = 7 PSF T.C., 10 PSF B.C. LIVE = 16 PSF LOAD DURATION FACTOR = 1.25
FLOOR LIVE = 40 PSF (30 PSF @ SLEEPING AREAS) DEAD = 10 PSF (1-JOISTS & SOLID SAWN) 10 PSF T.C., 5 PSF B.C. (TRUSSES) (ADDL 10 PSF @ TILE)
LATERAL 120 MPH, EXPOSURE B. SEISMIC A/B.
SOIL 2,000 PSF ASSUMED ALLOWABLE BEARING PRESSURE (TO BE VERIFIED BY BUILDER)

GENERAL FRAMING

• ALL TYP. NAIL FASTENER REQUIREMENTS ARE NOTED IN STANDARD CONNECTIONS TABLE OR ON PLANS. ALL NAILS SPECIFIED ARE MIN DIAMETER AND LENGTH REQUIRED FOR CONNECTION. ALL HANGER NAILS SHALL BE INSTALLED PER MANUFACTURER'S REQUIREMENTS FOR MAX CHARTED CAPACITY. NOTE: HANGERS USE COMMON NAIL DIAMETERS NOT TYPICAL FRAMING GUN NAILS.
• REFER TO FASTENING SCHEDULE TABLE R602.3(1) FOR ALL CONNECTIONS, TYP. U.N.O.
• EXT. & INT. BRG WALLS SHALL BE 2x4 OR 2x6 (AS SHOWN ON PLANS) @ 16" O.C. SFF OR 5YP "STUD" GRADE LUMBER OR BETTER, U.N.O. • WALLS OVER 12' TALL SHALL BE PER PLAN.
• ALL HEADERS, BEAMS & OTHER STRUCTURAL MEMBERS SHALL BE SPRUCE-PINE-FIR #2 (SPP) OR SOUTHERN PINE #2 (SP) LUMBER, OR BETTER (KILN-DRIED). ALL HEADERS HAVE BEEN DESIGNED BASED ON CALCULATED LOADS & SIZED ACCORDINGLY. CODE TABLES HAVE NOT BEEN USED.
• ALL NON-BEARING INTERIOR STUD WALLS SHALL BE CONSTRUCTED WITH 2x "STUD" GRADE MEMBERS SPACED @ 16" O.C. (MAX. U.N.O.) • HEADERS IN NON-LOAD BEARING WALLS SHALL BE: (1)2x4/6 FLAT @ OPENINGS UP TO 4', (2)2x4/6 FLAT UP TO 8'.
• ALL FRAMING LUMBER SHALL BE DRIED TO 15% MC (KD-15).
• ENGINEERED LUMBER TO MEET OR EXCEED THE FOLLOWING:
• 'L5L' - Fb=2325 psi; Fv=310 psi; E=1.55x10⁶ psi
• 'LVL' - Fb=2600 psi; Fv=285 psi; E=2.0x10⁶ psi
• FOR 2 & 3 PLY BEAMS OF EQUAL WIDTH, FASTEN PLIES TOGETHER WITH 3 ROWS OF 3"x0.120" NAILS @ 8" O/C OR 2 ROWS 1/4"x3/8" SIMPSON SD5 SCREWS (OR 3/8" TRUSSLOK SCREWS) @ 16" O/C. USE A MINIMUM OF 3 ROWS FOR BEAM DEPTHS OF 14" OR GREATER. APPLY FASTENING AT BOTH FACES FOR 3-PLY CONDITION. LOCATE TOP & BOTTOM NAILS/SCREWS 2" FROM EDGE. SOLID 3 1/2" OR 5 1/4" BEAMS ARE ACCEPTABLE. USE 2 ROWS OF NAILS FOR 2x6 & 2x8 MEMBERS.
• FOR 4 PLY BEAMS OF EQUAL WIDTH, FASTEN PLIES TOGETHER WITH 3 ROWS OF 1/4"x6" SIMPSON SD5 SCREWS (OR 6 3/4" TRUSSLOK SCREWS) @ 16" O/C. USE A MINIMUM OF 4 ROWS FOR BEAM DEPTHS OF 14" OR GREATER. APPLY FASTENING AT BOTH FACES (ONE SIDE ONLY FOR TRUSSLOK SCREWS). LOCATE TOP AND BOTTOM SCREWS 2" FROM EDGE. A SOLID 7" BEAM IS ACCEPTABLE.
• ALL HEADERS SHALL BE SUPPORTED BY (1)2x JACK STUD & (1)2x KING STUD, MINIMUM.
- THE NUMBER OF STUDS SPECIFIED AT A SUPPORT INDICATES THE NUMBER OF JACK STUDS REQUIRED, U.N.O.
• ALL MULTI-PLY STUDS TO BE FASTENED TOGETHER W/ 3"x0.131" NAILS @ 24" O.C. (MIN), EACH PLY.
• PROVIDE SOLID BLOCKING IN FLOOR SYSTEM UNDER ALL POSTS CONTINUOUS TO FND/BEARING. BLOCKING TO MATCH POST ABOVE.
• FASTEN 2x WOOD PLATES TO TOP FLANGE OF STEEL BEAMS WITH P.A.F.'s (HILTI) X-CF PINS OR EQUAL @ 16" O.C. STAGGERED, OR 1/2" DIA. BOLTS @ 48" O.C. STAGGERED.
• ALL EXTERIOR 4x4 WOOD POSTS SHALL HAVE SIMPSON BC52-2/4 GAP & ABM44Z BASE, U.N.O.

CONNECTION SPECIFICATIONS (TYP. U.N.O.)

DESCRIPTION OF BLDG. ELEMENT	3"x0.131" NAILS	3"x0.120" NAILS
JOIST TO SOLE PLATE	(3) TOENAILS	(3) TOENAILS*
SOLE PLATE TO JOIST/BLK'G.	(3) NAILS @ 4" o.c.	(3) NAILS @ 4" o.c.
STUD TO SOLE PLATE	(2) TOENAILS	(3) TOENAILS*
TOP OR SOLE PLATE TO STUD	(2) NAILS	(3) NAILS
RIM TO TOP PLATE	TOENAILS @ 8" o.c.	TOENAILS @ 6" o.c.*
BLK'G. BTWN. JOISTS TO TOP PL.	(3) TOENAILS	(3) TOENAILS*
DOUBLE STUD	NAILS @ 24" o.c.	NAILS @ 16" o.c.
DOUBLE TOP PLATE	NAILS @ 24" o.c.	NAILS @ 16" o.c.
DOUBLE TOP PLATE LAP SPlice	(4) NAILS IN LAPPED AREA	(1) NAILS IN LAPPED AREA
TOP PLATE LAP @ CORNERS & INTERSECTING WALLS	(2) NAILS	(2) NAILS

* 2 1/2"x0.113" IS AN ACCEPTABLE ALTERNATIVE TO A 3"x0.120", SAME SPACING OR NUMBER OF NAILS. (ONLY ACCEPTABLE WHERE * ARE SHOWN)

MEANS & METHODS NOTES

THE STRUCTURE IS DESIGNED TO BE SELF SUPPORTING AND STABLE AFTER THE BUILDING IS FINISHED AND ALL PLAN, DETAIL, AND NOTE SPECIFICATIONS HAVE BEEN COMPLETED. IT IS THE CONTRACTOR'S SOLE RESPONSIBILITY TO DETERMINE THE ERECTION PROCEDURES AND SEQUENCE TO INSURE THE SAFETY OF THE BUILDING AND ITS COMPONENTS DURING CONSTRUCTION. THIS INCLUDES, BUT IS NOT LIMITED TO, THE ADDITION OF NECESSARY SHORING, SHEETING, TEMPORARY BRACING, GUYS, AND TIE-DOWNS. CONTRACTOR SHALL BE RESPONSIBLE FOR ALL SHORING AND BRACING REQUIRED TO STABILIZE AND PROTECT EXISTING AND ADJACENT STRUCTURES AND SYSTEMS DURING COURSE OF DEMOLITION AND CONSTRUCTION OF THE PROJECT.
STRUCTURAL DESIGN AND SPECIFICATIONS ASSUME THAT ALL SUPPORTING AND NON-SUPPORTING ELEMENTS IN CONTACT WITH FLOOR FRAMING ARE LEVEL, INCLUDING, BUT NOT LIMITED TO, FOUNDATIONS, SLABS ON GRADE, BEAMS, WALLS, AND NON-BEARING ELEMENTS. IT IS THE CONTRACTOR'S RESPONSIBILITY TO VERIFY LEVELNESS AND MAKE ADJUSTMENTS AS NECESSARY, INCLUDING CONSIDERATION OF THOSE AREAS THAT MAY BE WITHIN CONTRACTUAL, INDUSTRY, OR WARRANTY TOLERANCES.

ADDITIONAL NOTES FOR TRUSS & I-JOIST MANUFACTURER

ROOF TRUSS, FLOOR TRUSS AND ENGINEERED JOISTS SHALL BE DESIGNED TO MEET THE DIFFERENTIAL DEFLECTION CRITERIA BELOW, UNLESS NOTED OTHERWISE ON PLAN. MULHERN & KULP CANNOT BE HELD RESPONSIBLE FOR ANY STRUCTURAL ISSUES RELATED TO ANY BUILDING COMPONENT IF COMPONENT SHOP DRAWINGS ARE NOT SUBMITTED TO MKR FOR REVIEW PRIOR TO FABRICATION, DELIVERY, OR INSTALLATION.
TRUSSES/JOISTS SHALL BE DESIGNED SO THAT DIFFERENTIAL DEFLECTION BETWEEN ADJACENT PARALLEL TRUSSES/JOISTS OR GIRDER TRUSSES/FLUSH BEAMS DO NOT EXCEED THE FOLLOWING:
A. ROOF TRUSSES:
1/4" DEAD LOAD
B. FLOOR TRUSSES, ATTIC TRUSSES, & I-JOISTS:
1/8" DEAD LOAD
C. FLOOR TRUSSES & ATTIC TRUSSES ADJACENT TO FLOOR FRAMING BY OTHERS:
LIMIT ABSOLUTE TRUSS DEFLECTION TO 3/16" DEAD LOAD. (NOT DIFFERENTIAL DEFLECTION)

LEGEND

• [Symbol] INTERIOR BEARING WALL
• [Symbol] BEARING WALL ABOVE
• [Symbol] BEAM / HEADER
• [Symbol] INDICATES SHEAR WALL & EXTENT
• [Symbol] EXTENT OF OVERFRAMING
JL METAL HANGER
• [Symbol] INDICATES POST ABOVE. PROVIDE SOLID BLOCKING UNDER POST OR JAMB ABOVE.
▶ INDICATES HOLD-DOWN OR STRAP. REFER TO SCHEDULE.

NON-BEARING HEADER SCHEDULE

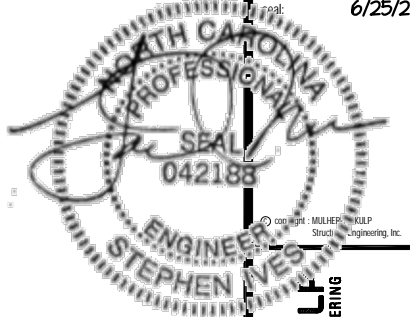
SPAN	2x4 NON-BEARING PARTITION WALL	2x6 NON-BEARING PARTITION WALL
UP TO 3'-0"	(1)2x4 FLAT	(1)2x6 FLAT
UP TO 6'-0"	(2)2x4	(3)2x4
UP TO 8'-0"	(2)2x6	(3)2x6

NOTES:
• ALL NON-BEARING INTERIOR STUD WALLS SHALL BE CONSTRUCTED WITH 2x "STUD" GRADE MEMBERS SPACED @ 24" O.C. (MAX)

REFER TO SO.0 FOR
TYPICAL STRUCTURAL NOTES
& SCHEDULES

LEGEND

- [Symbol] INTERIOR BEARING WALL
- [Symbol] BEARING WALL ABOVE
- [Symbol] BEAM / HEADER
- [Symbol] INDICATES SHEAR WALL & EXTENT
- [Symbol] EXTENT OF OVERFRAMING
- JL METAL HANGER
- * INDICATES POST ABOVE. PROVIDE SOLID BLOCKING UNDER POST OR JAMB ABOVE.
- ▶ INDICATES HOLD-DOWN OR STRAP. REFER TO SCHEDULE.



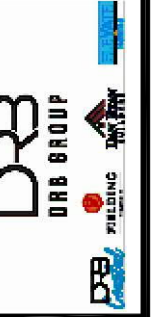
MULHERN+KULF
RESIDENTIAL STRUCTURAL ENGINEERING
300 Brookside Ave. Building 4 • Amber, PA 18002
P 215-946-8001 • mulhern+kulp.com
NC LIC. #C-3825

M&K project number: 126-21011

project mgr: JTR
drawn by: MDH
issue date: 06-25-21

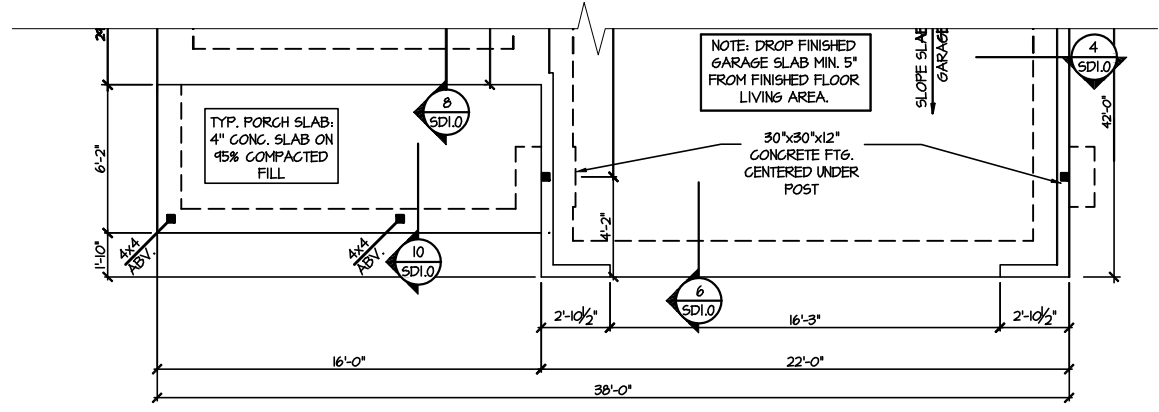
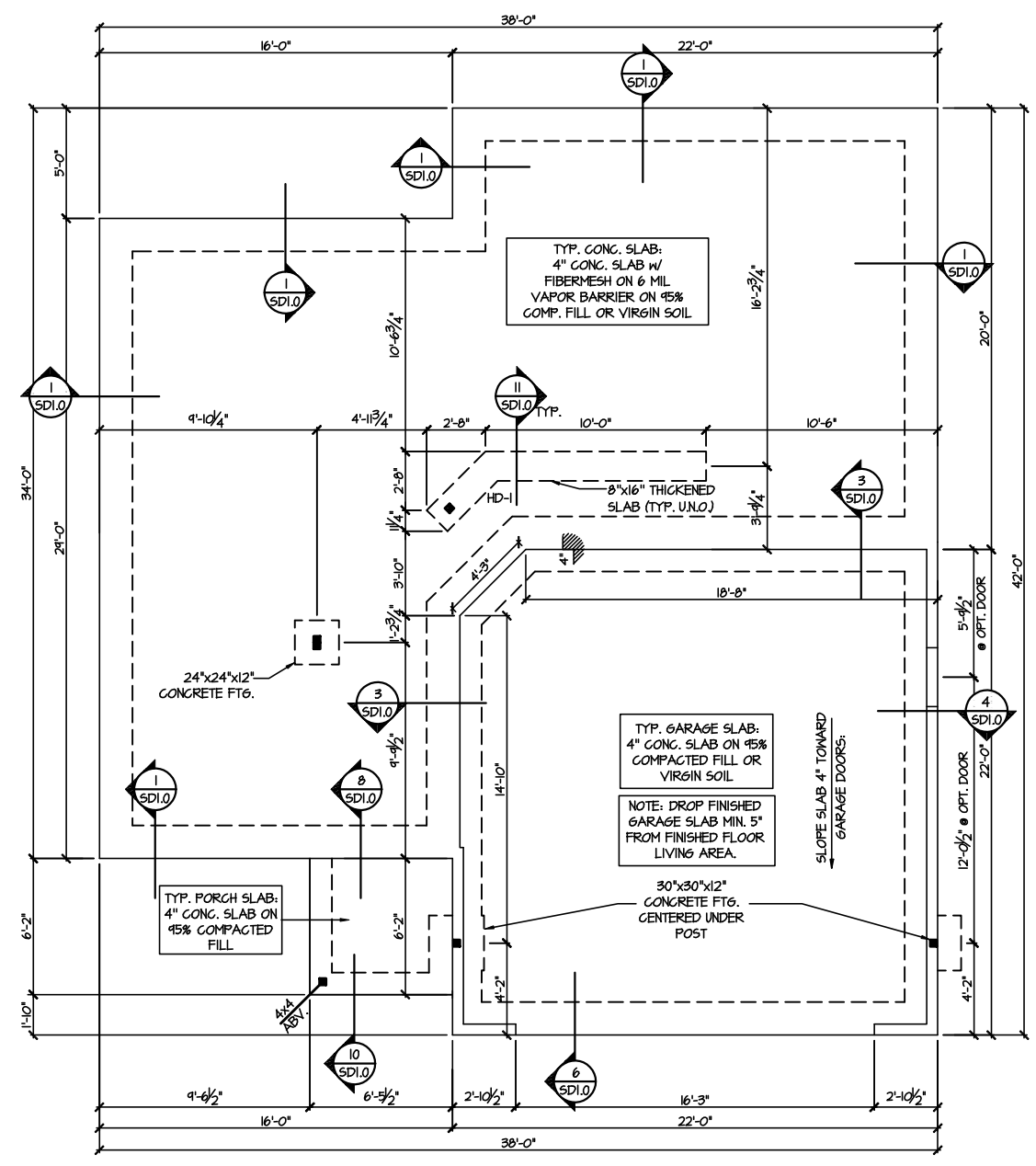
REVISIONS:

date:	initial:



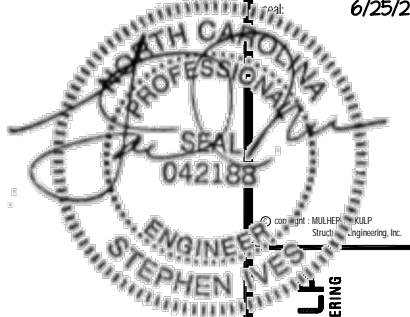
Foundation Plans
CAMERON MODEL
RALEIGH, NC

sheet: Right Hand
S1.0

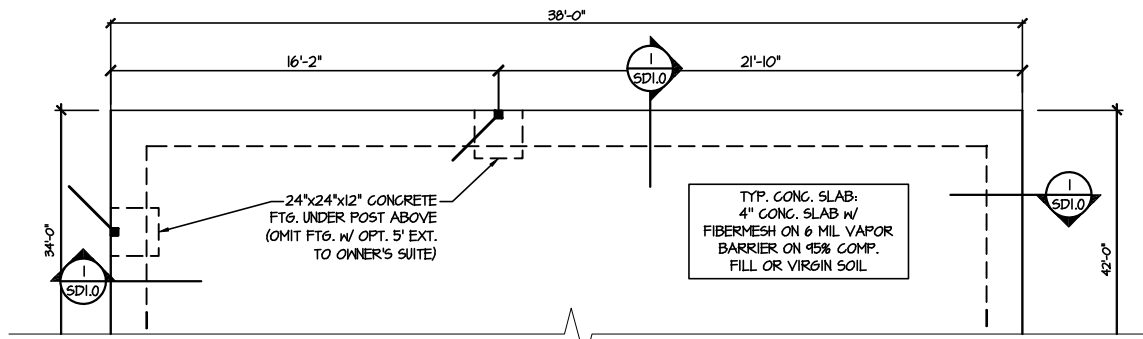


REFER TO SO.0 FOR
TYPICAL STRUCTURAL NOTES
& SCHEDULES

- LEGEND**
- [dashed line] INTERIOR BEARING WALL
 - [dashed line] BEARING WALL ABOVE
 - [dashed line] BEAM / HEADER
 - [dashed line] INDICATES SHEAR WALL & EXTENT
 - [stippled area] EXTENT OF OVERFRAMING
 - JL METAL HANGER
 - * INDICATES POST ABOVE. PROVIDE SOLID BLOCKING UNDER POST OR JAMB ABOVE.
 - ▶ INDICATES HOLD-DOWN OR STRAP. REFER TO SCHEDULE.



MULHERN+KULF
RESIDENTIAL STRUCTURAL ENGINEERING
300 Brookside Ave. Building 4 • Amber, PA 18002
P 215-946-8001 • mulhern+kulp.com
NC LIC. #C-3825



**4 PARTIAL MONO SLAB FOUNDATION PLAN
OPTIONAL 5'-0" EXTENSION**
SCALE: 1/8"=1'-0" ELEV. #1 SHOWN - ALL ELEV. SIM.

M&K project number: 126-21011
project mgr: JTR
drawn by: MDH
issue date: 06-25-21

REVISIONS:

date:	initial:



Foundation Plans
CAMERON MODEL
RALEIGH, NC

sheet: Right Hand
S1.1

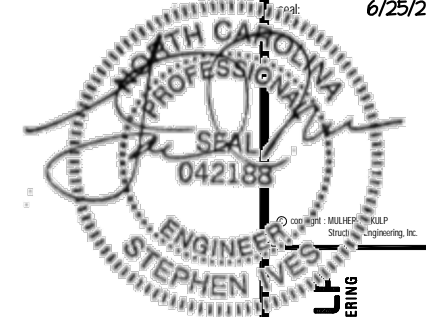
REFER TO 50.0 FOR
TYPICAL STRUCTURAL NOTES
& SCHEDULES

SD2.0 & SD2.1 REFERS TO SD2.0J
& SD2.1J FOR I-JOIST FLOOR
FRAMING OR SD2.0T & SD2.1T
FOR TRUSS FLOOR FRAMING

SD2.1J/SD2.1T REFERS TO
SD2.1JA/SD2.1TA FOR LVL/PSL/LSL
BEAMS OR SD2.1JB/SD2.1TB FOR
FLITCH BEAMS OR
SD2.1JC/SD2.1TC FOR STEEL
BEAMS

LEGEND

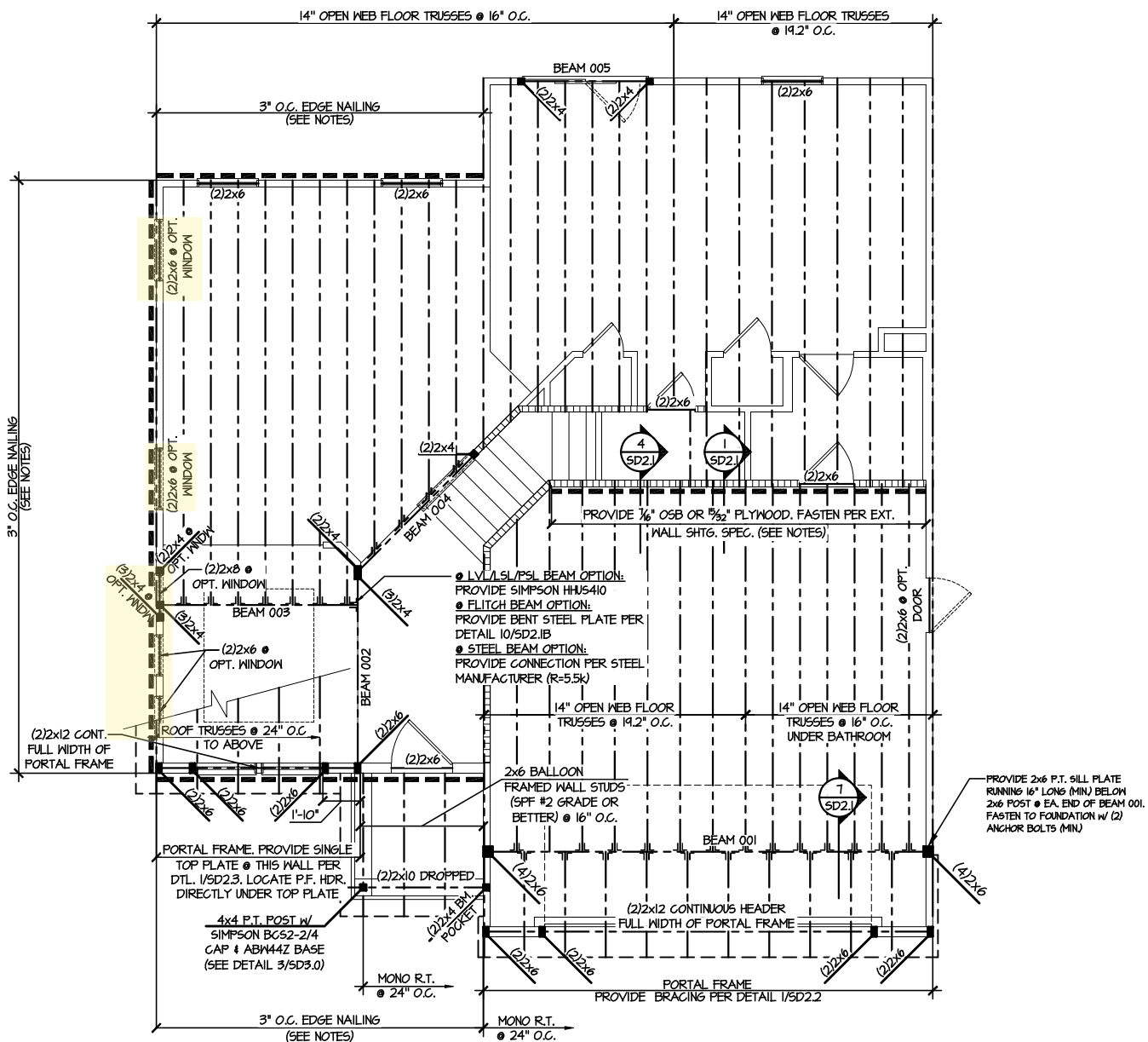
- [Symbol] INTERIOR BEARING WALL
- [Symbol] BEARING WALL ABOVE
- [Symbol] BEAM / HEADER
- [Symbol] INDICATES SHEAR WALL & EXTENT
- [Symbol] EXTENT OF OVERFRAMING
- J.L. METAL HANGER
- * INDICATES POST ABOVE. PROVIDE SOLID BLOCKING UNDER POST OR JAMB ABOVE.
- ▶ INDICATES HOLD-DOWN OR STRAP. REFER TO SCHEDULE.



ENGINEERED BEAM MATERIAL SCHEDULE

BEAM NUMBER	LVL OPTION	PSL OPTION	LSL OPTION	FLITCH OPTION	STEEL OPTION
001	(4) 1 1/2" x 10" - FT	7" x 8" - FT	N/A	(4) 2x12 + (8) 3/4" x 11/4" STEEL FLITCH PLATES - FB	M2x80 - F
001A	(4) 1 1/2" x 10" - D	7" x 8" - D	N/A	(4) 2x12 + (8) 3/4" x 11/4" STEEL FLITCH PLATES - D	M2x80 - D
002	(2) 1 1/2" x 14" - F	3 1/2" x 14" - F	(2) 1 1/2" x 14" - F	(2) 2x12 + (1) 1/2" x 11/4" STEEL FLITCH PLATE - FB	M2x14 - F
005	(2) 1 1/2" x 14" - F	3 1/2" x 14" - F	(2) 1 1/2" x 14" - F	(2) 2x12 + (1) 1/2" x 11/4" STEEL FLITCH PLATE - FB	M2x14 - F
004	(1) 1 1/2" x 14" - F	1 1/2" x 14" - F	(1) 1 1/2" x 14" - F	(2) 2x12 + (1) 1/2" x 11/4" STEEL FLITCH PLATE - FB	M2x14 - F
005	(2) 1 1/2" x 9" - H	3 1/2" x 9" - H	(2) 1 1/2" x 9" - H	(2) 2x10 + (1) 1/2" x 9" STEEL FLITCH PLATE - H	M8x10 - H
006	(2) 1 1/2" x 14" - H	3 1/2" x 14" - H	(3) 1 1/2" x 14" - H	(2) 2x12 + (1) 1/2" x 11/4" STEEL FLITCH PLATE - H	N/A
007	(2) 1 1/2" x 14" - F	3 1/2" x 14" - F	(2) 1 1/2" x 14" - F	(2) 2x12 + (1) 1/2" x 11/4" STEEL FLITCH PLATES - FB	M2x14 - F
007A	(3) 1 1/2" x 14" - F	5 1/2" x 14" - F	(3) 1 1/2" x 14" - F	(3) 2x12 + (2) 1/2" x 11/4" STEEL FLITCH PLATES - FB	M2x14 - F
008	(2) 1 1/2" x 14" - F	3 1/2" x 14" - F	(3) 1 1/2" x 14" - F	(2) 2x12 + (1) 1/2" x 11/4" STEEL FLITCH PLATES - FB	M2x14 - F
008A	(3) 1 1/2" x 14" - F	5 1/2" x 14" - F	(3) 1 1/2" x 14" - F	(3) 2x12 + (2) 1/2" x 11/4" STEEL FLITCH PLATES - FB	M2x14 - F
004	(3) 1 1/2" x 16" - D	5 1/2" x 16" - D	N/A	(3) 2x12 + (2) 1/2" x 11/4" STEEL FLITCH PLATES - D	M2x14 - D
010	(2) 1 1/2" x 9" - D	3 1/2" x 9" - D	(2) 1 1/2" x 9" - D	(2) 2x10 + (1) 1/2" x 9" STEEL FLITCH PLATE - D	M8x10 - D
011	(2) 1 1/2" x 14" - F	3 1/2" x 14" - F	(2) 1 1/2" x 14" - F	(2) 2x12 + (1) 1/2" x 11/4" STEEL FLITCH PLATE - FB	M2x14 - F

- BEAM NOTATION:
 - "FT" INDICATES FLUSH BEAM
 - "FT" INDICATES FLUSH TOP BEAM
 - "FB" INDICATES FLUSH BOTTOM BEAM
 - "D" INDICATES DROPPED BEAM
 - "H" INDICATES DROPPED OPENING HEADER
- REFER TO DETAIL D/SD2.0 FOR TYPICAL FLITCH BEAM CONNECTIONS
- REFER TO DETAIL E/SD2.0 FOR TYPICAL STEEL BEAM CONNECTIONS
- FOR FLUSH TOP BEAMS PROVIDE 2X STACKED PLATES BENEATH BEAM AS REQ'D. FASTEN PLATES IN SUCCESSION W/ (2) 3"x0.120" NAILS @ 8" O.C.
- FOR FLUSH BOTTOM BEAMS PROVIDE 2X STACKED PLATES ATOP BEAM AS REQ'D. FASTEN PLATES IN SUCCESSION W/ (2) 3"x0.120" NAILS @ 8" O.C.

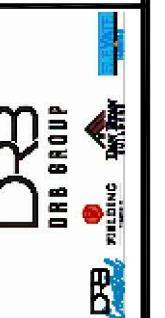


2ND FLOOR FRAMING PLAN - TRUSSES
SCALE: 1/8"=1'-0"
ELEVATION #1

MULHERN+KULF
RESIDENTIAL STRUCTURAL ENGINEERING
300 Brookside Ave. Building 4 • Amber, PA 18002
P 215-946-8001 • mulhern+kulf.com
NC LIC. #C-3825

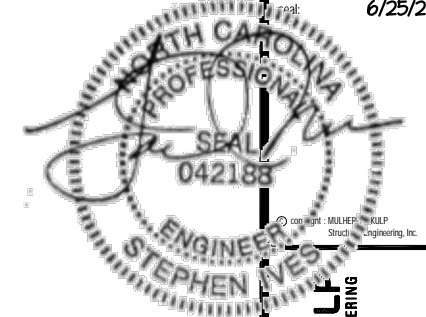
M&K project number:
126-21011
project mgr: JTR
drawn by: MDH
issue date: 06-25-21

REVISIONS:
date: initial



Floor Framing Plans
CAMERON MODEL
RALEIGH, NC

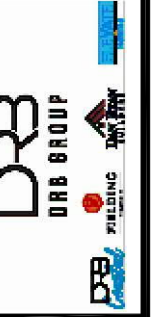
sheet: Right Hand
S3.0T



MULHERN+KULF
RESIDENTIAL STRUCTURAL ENGINEERING
300 Brookside Ave. Building 4 • Amber, PA 19002
P 215-946-8001 • mulhern+kulf.com
NC LIC. #C-3825

M&K project number:
126-21011
project mgr: JTR
drawn by: MDH
issue date: 06-25-21

REVISIONS:
date: initial:



Floor Framing Plans
CAMERON MODEL
RALEIGH, NC

sheet: Right Hand
S3.2J

LEGEND

- ▬ INTERIOR BEARING WALL
- ▬ BEARING WALL ABOVE
- ▬ BEAM / HEADER
- ▬ INDICATES SHEAR WALL & EXTENT
- ▬ EXTENT OF OVERFRAMING
- J.L. METAL HANGER
- * INDICATES POST ABOVE. PROVIDE SOLID BLOCKING UNDER POST OR JAMB ABOVE.
- ▶ INDICATES HOLD-DOWN OR STRAP. REFER TO SCHEDULE.

ENGINEERED BEAM MATERIAL SCHEDULE

BEAM NUMBER	LVL OPTION	PSL OPTION	LSL OPTION	FLITCH OPTION	STEEL OPTION
001	(4)3/4"x18" - FT	7"x18" - FT	NA	(4)2x12 + (8) 3/4"x11/4" STEEL FLITCH PLATES - FB	M2x80 - F
001A	(4)3/4"x18" - D	7"x18" - D	NA	(4)2x12 + (8) 3/4"x11/4" STEEL FLITCH PLATES - D	M2x80 - D
002	(2)3/4"x14" - F	3 1/2"x14" - F	(2)3/4"x14" - F	(2)2x12 + (1) 1/2"x11/4" STEEL FLITCH PLATE - FB	M2x14 - F
005	(2)3/4"x14" - F	3 1/2"x14" - F	(2)3/4"x14" - F	(2)2x12 + (1) 1/2"x11/4" STEEL FLITCH PLATE - FB	M2x14 - F
004	(1)3/4"x14" - F	1 3/4"x14" - F	(1)3/4"x14" - F	(2)2x12 + (1) 1/2"x11/4" STEEL FLITCH PLATE - FB	M2x14 - F
005	(2)3/4"x14" - H	3 1/2"x14" - H	(2)3/4"x14" - H	(2)2x12 + (1) 1/2"x11/4" STEEL FLITCH PLATE - H	M8x10 - H
006	(2)3/4"x14" - H	3 1/2"x14" - H	(3)3/4"x14" - H	(2)2x12 + (1) 1/2"x11/4" STEEL FLITCH PLATE - H	NA
007	(2)3/4"x14" - F	3 1/2"x14" - F	(2)3/4"x14" - F	(2)2x12 + (1) 1/2"x11/4" STEEL FLITCH PLATE - FB	M2x14 - F
007A	(3)3/4"x14" - F	5 1/4"x14" - F	(3)3/4"x14" - F	(3)2x12 + (2) 1/2"x11/4" STEEL FLITCH PLATES - FB	M2x14 - F
008	(2)3/4"x14" - F	3 1/2"x14" - F	(3)3/4"x14" - F	(2)2x12 + (1) 1/2"x11/4" STEEL FLITCH PLATE - FB	M2x14 - F
008A	(3)3/4"x14" - F	5 1/4"x14" - F	(3)3/4"x14" - F	(3)2x12 + (2) 1/2"x11/4" STEEL FLITCH PLATES - FB	M2x14 - F
004	(3)3/4"x16" - D	5 1/4"x16" - D	NA	(3)2x12 + (2) 1/2"x11/4" STEEL FLITCH PLATES - D	M2x14 - D
010	(2)3/4"x14" - D	3 1/2"x14" - D	(2)3/4"x14" - D	(2)2x12 + (1) 1/2"x11/4" STEEL FLITCH PLATE - D	M8x10 - D
011	(2)3/4"x14" - F	3 1/2"x14" - F	(2)3/4"x14" - F	(2)2x12 + (1) 1/2"x11/4" STEEL FLITCH PLATE - FB	M2x14 - F

BEAM NOTATION:

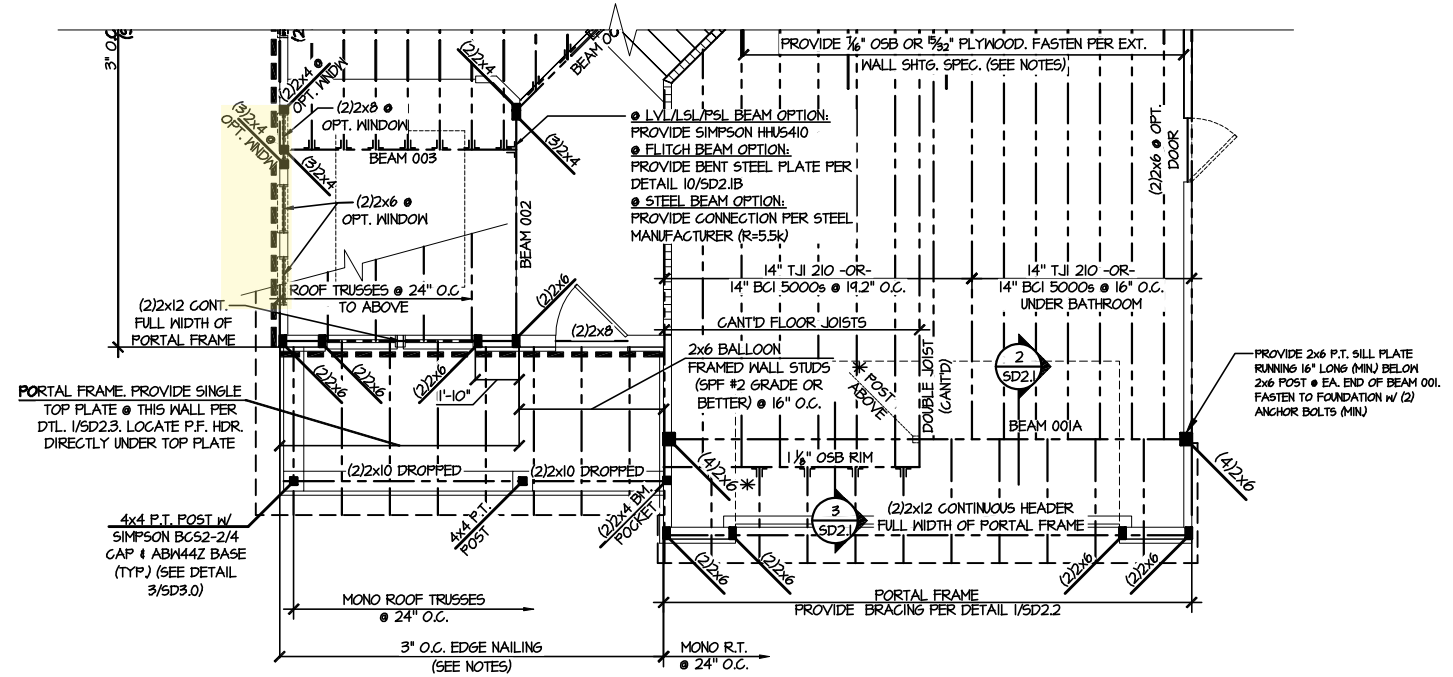
- "F" INDICATES FLUSH BEAM
- "FT" INDICATES FLUSH TOP BEAM
- "FB" INDICATES FLUSH BOTTOM BEAM
- "D" INDICATES DROPPED BEAM
- "H" INDICATES DROPPED OPENING HEADER

- REFER TO DETAIL D/SD2.0 FOR TYPICAL FLITCH BEAM CONNECTIONS
- REFER TO DETAIL E/SD2.0 FOR TYPICAL STEEL BEAM CONNECTIONS
- FOR FLUSH TOP BEAMS PROVIDE 2X STACKED PLATES BENEATH BEAM AS REQ'D. FASTEN PLATES IN SUCCESSION W/ (2) 3"x0.120" NAILS @ 8" O.C.
- FOR FLUSH BOTTOM BEAMS PROVIDE 2X STACKED PLATES ATOP BEAM AS REQ'D. FASTEN PLATES IN SUCCESSION W/ (2) 3"x0.120" NAILS @ 8" O.C.

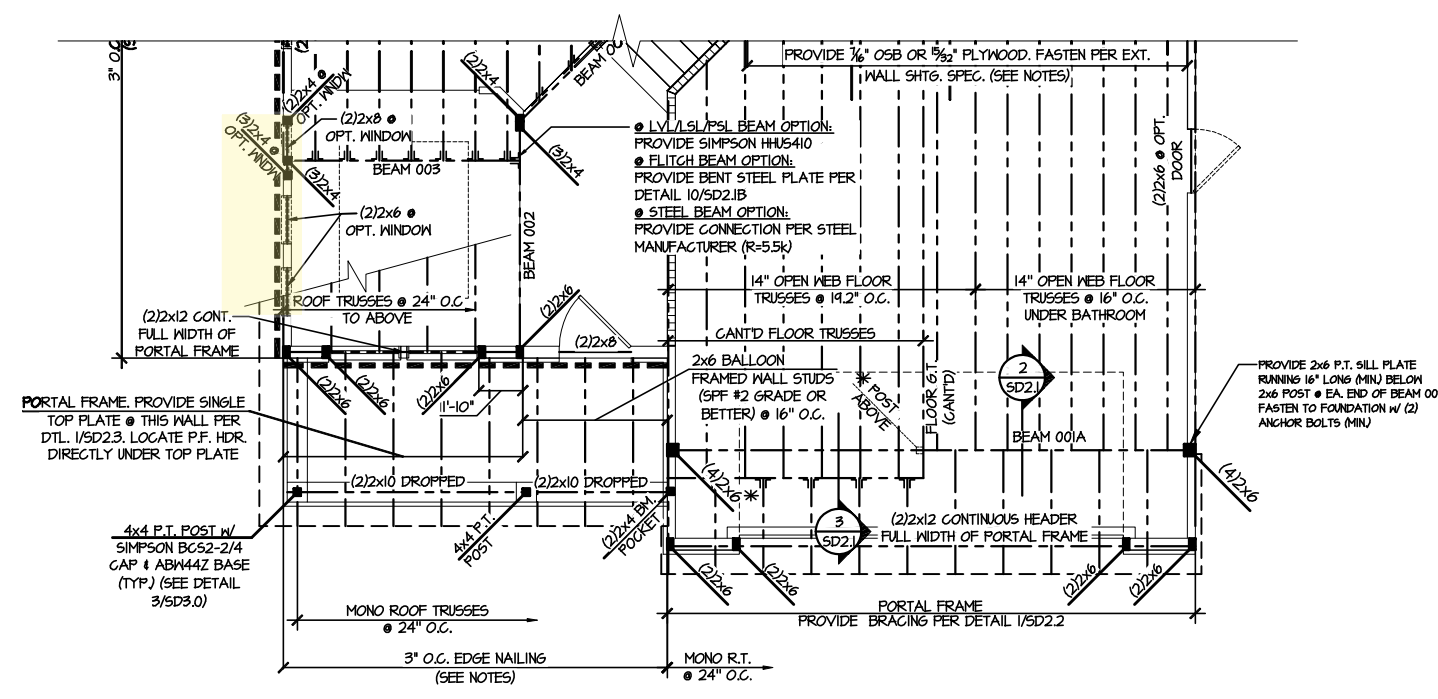
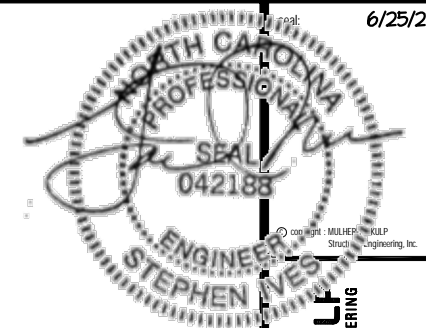
REFER TO SO.O FOR TYPICAL STRUCTURAL NOTES & SCHEDULES

SD2.0 & SD2.1 REFERS TO SD2.0J & SD2.1J FOR I-JOIST FLOOR FRAMING OR SD2.0T & SD2.1T FOR TRUSS FLOOR FRAMING

SD2.1J/SD2.1T REFERS TO SD2.1JA/SD2.1TA FOR LVL/PSL/LSL BEAMS OR SD2.1JB/SD2.1TB FOR FLITCH BEAMS OR SD2.1JC/SD2.1TC FOR STEEL BEAMS



2ND FLOOR FRAMING PLAN - I-JOISTS
SCALE: 1/8"=1'-0"
ELEVATION #5



2ND FLOOR FRAMING PLAN - TRUSSES
 SCALE: 1/8"=1'-0"
 ELEVATION #5

REFER TO SO.O FOR TYPICAL STRUCTURAL NOTES & SCHEDULES

SD2.0 & SD2.1 REFERS TO SD2.0J & SD2.1J FOR I-JOIST FLOOR FRAMING OR SD2.0T & SD2.1T FOR TRUSS FLOOR FRAMING

SD2.1J/SD2.1T REFERS TO SD2.1JA/SD2.1TA FOR LVL/PSL/LSL BEAMS OR SD2.1JB/SD2.1TB FOR FLITCH BEAMS OR SD2.1JC/SD2.1TC FOR STEEL BEAMS

LEGEND

- ◻ INTERIOR BEARING WALL
- ◻ BEARING WALL ABOVE
- BEAM / HEADER
- - - INDICATES SHEAR WALL & EXTENT
- ◻ EXTENT OF OVERFRAMING
- J.L. METAL HANGER
- * INDICATES POST ABOVE. PROVIDE SOLID BLOCKING UNDER POST OR JAMB ABOVE.
- ▶ INDICATES HOLD-DOWN OR STRAP. REFER TO SCHEDULE.

ENGINEERED BEAM MATERIAL SCHEDULE

BEAM NUMBER	LVL OPTION	PSL OPTION	LSL OPTION	FLITCH OPTION	STEEL OPTION
001	(4) 1 1/2" x 10" - FT	7" x 10" - FT	NA	(4) 2x12 + (8) 1/2" x 11/4" STEEL FLITCH PLATES - FB	M2x80 - F
001A	(4) 1 1/2" x 10" - D	7" x 10" - D	NA	(4) 2x12 + (8) 1/2" x 11/4" STEEL FLITCH PLATES - D	M2x80 - D
002	(2) 1 1/2" x 14" - F	3 1/2" x 14" - F	(2) 1 1/2" x 14" - F	(2) 2x12 + (1) 1/2" x 11/4" STEEL FLITCH PLATE - FB	M2x14 - F
005	(2) 1 1/2" x 14" - F	3 1/2" x 14" - F	(2) 1 1/2" x 14" - F	(2) 2x12 + (1) 1/2" x 11/4" STEEL FLITCH PLATE - FB	M2x14 - F
004	(1) 1 1/2" x 14" - F	1 1/2" x 14" - F	(1) 1 1/2" x 14" - F	(2) 2x12 + (1) 1/2" x 11/4" STEEL FLITCH PLATE - FB	M2x14 - F
005	(2) 1 1/2" x 14" - H	3 1/2" x 14" - H	(2) 1 1/2" x 14" - H	(2) 2x10 + (1) 1/2" x 11/4" STEEL FLITCH PLATE - H	M8x10 - H
006	(2) 1 1/2" x 14" - H	3 1/2" x 14" - H	(3) 1 1/2" x 14" - H	(2) 2x12 + (1) 1/2" x 11/4" STEEL FLITCH PLATE - H	NA
007	(2) 1 1/2" x 14" - F	3 1/2" x 14" - F	(2) 1 1/2" x 14" - F	(2) 2x12 + (1) 1/2" x 11/4" STEEL FLITCH PLATE - FB	M2x14 - F
007A	(3) 1 1/2" x 14" - F	5 1/2" x 14" - F	(3) 1 1/2" x 14" - F	(3) 2x12 + (2) 1/2" x 11/4" STEEL FLITCH PLATES - FB	M2x14 - F
008	(2) 1 1/2" x 14" - F	3 1/2" x 14" - F	(3) 1 1/2" x 14" - F	(2) 2x12 + (1) 1/2" x 11/4" STEEL FLITCH PLATE - FB	M2x14 - F
008A	(3) 1 1/2" x 14" - F	5 1/2" x 14" - F	(3) 1 1/2" x 14" - F	(3) 2x12 + (2) 1/2" x 11/4" STEEL FLITCH PLATES - FB	M2x14 - F
009	(3) 1 1/2" x 16" - D	5 1/2" x 16" - D	NA	(3) 2x12 + (2) 1/2" x 11/4" STEEL FLITCH PLATES - D	M2x14 - D
010	(2) 1 1/2" x 14" - D	3 1/2" x 14" - D	(2) 1 1/2" x 14" - D	(2) 2x10 + (1) 1/2" x 11/4" STEEL FLITCH PLATE - D	M8x10 - D
011	(2) 1 1/2" x 14" - F	3 1/2" x 14" - F	(2) 1 1/2" x 14" - F	(2) 2x12 + (1) 1/2" x 11/4" STEEL FLITCH PLATE - FB	M2x14 - F

BEAM NOTATION:

- FT INDICATES FLUSH BEAM
- FT* INDICATES FLUSH TOP BEAM
- FB* INDICATES FLUSH BOTTOM BEAM
- D* INDICATES DROPPED BEAM
- H* INDICATES DROPPED OPENING HEADER

REFER TO DETAIL D/SD2.0 FOR TYPICAL FLITCH BEAM CONNECTIONS
 REFER TO DETAIL E/SD2.0 FOR TYPICAL STEEL BEAM CONNECTIONS
 FOR FLUSH TOP BEAMS PROVIDE 2X STACKED PLATES BENEATH BEAM AS REQ'D. FASTEN PLATES IN SUCCESSION W/ (2) 3"x0.120" NAILS @ 8" O.C.
 FOR FLUSH BOTTOM BEAMS PROVIDE 2X STACKED PLATES ATOP BEAM AS REQ'D. FASTEN PLATES IN SUCCESSION W/ (2) 3"x0.120" NAILS @ 8" O.C.

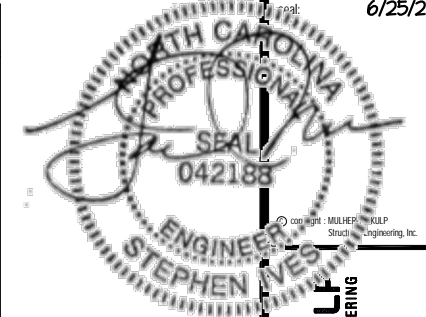
MULHERN+KULF
 RESIDENTIAL STRUCTURAL ENGINEERING
 300 Brookside Ave. Building 4 • Amber, PA 19002
 P 215-946-8001 • mulhern+kulf.com
 NC LIC. # C-3825

M&K project number: 126-21011
 project mgr: JTR
 drawn by: MDH
 issue date: 06-25-21

REVISIONS:
 date: initial

DRB GROUP
 DRB GROUP
 DRB GROUP

Floor Framing Plans
 CAMERON MODEL
 RALEIGH, NC

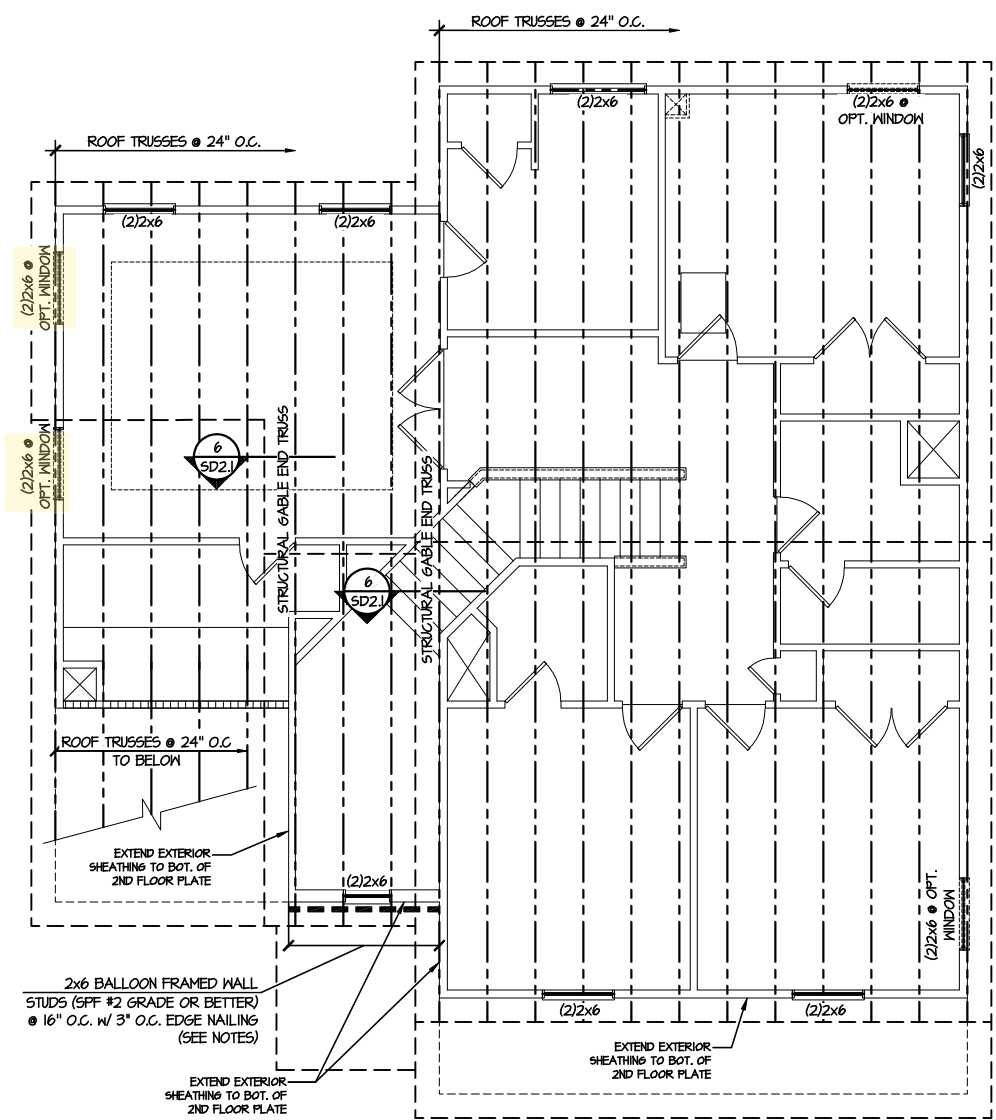


MULHERN+KULF
RESIDENTIAL STRUCTURAL ENGINEERING
300 Brookside Ave. Building 4 • Amber, PA 18002
P 215-946-8001 • mulhern+kulp.com
NC LIC. #C-3825

REFER TO S0.0 FOR
TYPICAL STRUCTURAL NOTES
& SCHEDULES

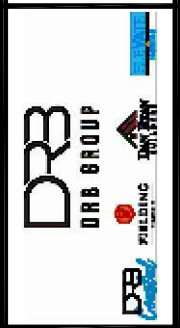
SD2.1J/SD2.1T REFERS TO
SD2.1JA/SD2.1TA FOR LVL/PSL/LSL
BEAMS OR SD2.1JB/SD2.1TB FOR
FLITCH BEAMS OR
SD2.1JC/SD2.1TC FOR STEEL
BEAMS

LEGEND	
	INTERIOR BEARING WALL
	BEARING WALL ABOVE
	BEAM / HEADER
	INDICATES SHEAR WALL & EXTENT
	EXTENT OF OVERFRAMING
JL	METAL HANGER
*	INDICATES POST ABOVE. PROVIDE SOLID BLOCKING UNDER POST OR JAMB ABOVE.
	INDICATES HOLD-DOWN OR STRAP. REFER TO SCHEDULE.



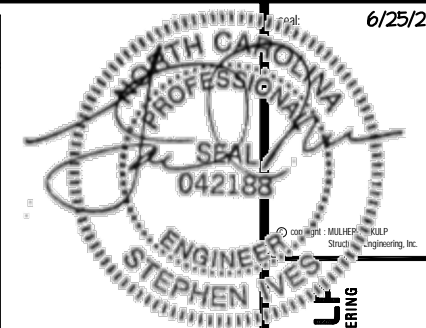
1 ROOF FRAMING PLAN
SCALE: 1/8"=1'-0" ELEVATION #1

M&K project number:	126-21011
project mgr:	JTR
drawn by:	MDH
issue date:	06-25-21
REVISIONS:	
date:	initial:



Roof Framing Plans
CAMERON MODEL
RALEIGH, NC

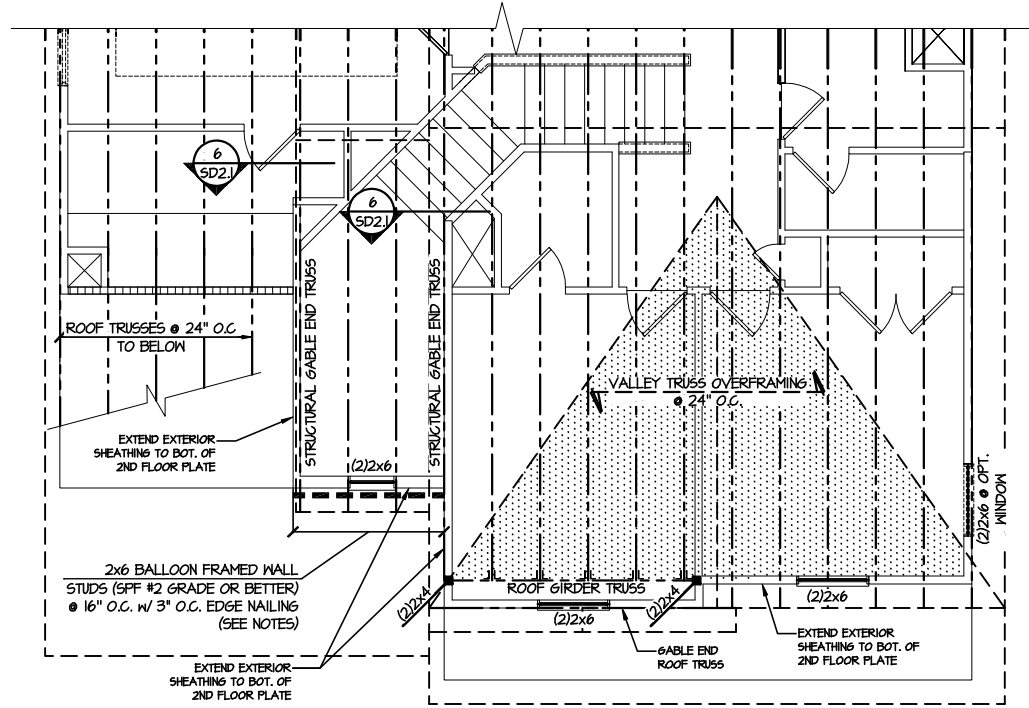
sheet: Right Hand
S4.0



REFER TO SO.O FOR
TYPICAL STRUCTURAL NOTES
& SCHEDULES

SD2.1J/SD2.1T REFERS TO
SD2.1JA/SD2.1TA FOR LVL/PSL/LSL
BEAMS OR SD2.1JB/SD2.1TB FOR
FLITCH BEAMS OR
SD2.1JC/SD2.1TC FOR STEEL
BEAMS

LEGEND	
	INTERIOR BEARING WALL
	BEARING WALL ABOVE
	BEAM / HEADER
	INDICATES SHEAR WALL & EXTENT
	EXTENT OF OVERFRAMING
	J.L. METAL HANGER
	INDICATES POST ABOVE. PROVIDE SOLID BLOCKING UNDER POST OR JAMB ABOVE.
	INDICATES HOLD-DOWN OR STRAP. REFER TO SCHEDULE.



2 ROOF FRAMING PLAN
SCALE: 1/8"=1'-0"
ELEVATION #4
ELEV. #5 SIM.

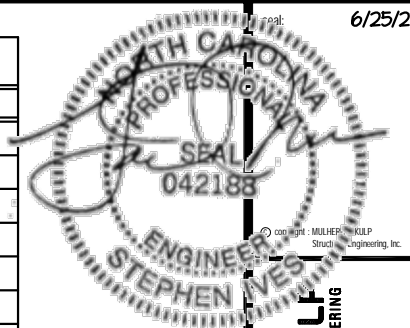
MULHERN+KULF
RESIDENTIAL STRUCTURAL ENGINEERING
300 Brookside Ave. Building 4 • Amber, PA 18002
P 215-946-8001 • mulhern+kulp.com
NC LIC. #C-3825

M&K project number:	126-21011
project mgr:	JTR
drawn by:	MDH
issue date:	06-25-21
REVISIONS:	
date:	initial:

DRB GROUP
DRB GROUP
DRB GROUP
DRB GROUP

Roof Framing Plans
CAMERON MODEL
RALEIGH, NC

sheet: Right Hand
S4.1



MULHERN+KULF
RESIDENTIAL STRUCTURAL ENGINEERING
300 Brookside Ave. Building 4 • Amber, PA 19002
P 215-946-8001 • mulhern+kulp.com
NC LIC. #C-3825

M&K project number:
126-21011
project mgr: JTR
drawn by: MDH
issue date: 06-25-21

REVISIONS:
date: initial:



Option Framing Plans
CAMERON MODEL
RALEIGH, NC

sheet: Right Hand
S5.0J

ENGINEERED BEAM MATERIAL SCHEDULE					
BEAM NUMBER	LVL OPTION	PSL OPTION	LSL OPTION	FLITCH OPTION	STEEL OPTION
001	(4) 3/4" x 10" - FT	7" x 10" - FT	N/A	(4) 2x12 + (3) 3/4" x 1 1/4" STEEL FLITCH PLATES - FB	W12x30 - F
001A	(4) 3/4" x 10" - D	7" x 10" - D	N/A	(4) 2x12 + (3) 3/4" x 1 1/4" STEEL FLITCH PLATES - D	W12x30 - D
002	(2) 3/4" x 14" - F	3 1/2" x 14" - F	(2) 3/4" x 14" - F	(2) 2x12 + (1) 1/2" x 1 1/4" STEEL FLITCH PLATE - FB	W12x14 - F
005	(2) 3/4" x 14" - F	3 1/2" x 14" - F	(2) 3/4" x 14" - F	(2) 2x12 + (1) 1/2" x 1 1/4" STEEL FLITCH PLATE - FB	W12x14 - F
004	(1) 3/4" x 14" - F	1 3/4" x 14" - F	(1) 3/4" x 14" - F	(2) 2x12 + (1) 1/2" x 1 1/4" STEEL FLITCH PLATE - FB	W12x14 - F
005	(2) 3/4" x 14" - H	3 1/2" x 14" - H	(2) 3/4" x 14" - H	(2) 2x10 + (1) 1/2" x 1 1/4" STEEL FLITCH PLATE - H	W10x10 - H
006	(2) 3/4" x 14" - H	3 1/2" x 14" - H	(3) 3/4" x 14" - H	(2) 2x12 + (1) 1/2" x 1 1/4" STEEL FLITCH PLATE - H	N/A
007	(2) 3/4" x 14" - F	3 1/2" x 14" - F	(2) 3/4" x 14" - F	(2) 2x12 + (1) 1/2" x 1 1/4" STEEL FLITCH PLATES - FB	W12x14 - F
007A	(3) 3/4" x 14" - F	3 1/2" x 14" - F	(3) 3/4" x 14" - F	(3) 2x12 + (2) 3/4" x 1 1/4" STEEL FLITCH PLATES - FB	W12x14 - F
008	(2) 3/4" x 14" - F	3 1/2" x 14" - F	(3) 3/4" x 14" - F	(2) 2x12 + (1) 1/2" x 1 1/4" STEEL FLITCH PLATES - FB	W12x14 - F
008A	(3) 3/4" x 14" - F	3 1/2" x 14" - F	(3) 3/4" x 14" - F	(3) 2x12 + (2) 3/4" x 1 1/4" STEEL FLITCH PLATES - FB	W12x14 - F
004	(3) 3/4" x 16" - D	3 1/4" x 16" - D	N/A	(3) 2x12 + (2) 3/4" x 1 1/4" STEEL FLITCH PLATES - D	W12x14 - D
010	(2) 3/4" x 14" - D	3 1/2" x 14" - D	(2) 3/4" x 14" - D	(2) 2x10 + (1) 1/2" x 1 1/4" STEEL FLITCH PLATE - D	W10x10 - D
011	(2) 3/4" x 14" - F	3 1/2" x 14" - F	(2) 3/4" x 14" - F	(2) 2x12 + (1) 1/2" x 1 1/4" STEEL FLITCH PLATE - FB	W12x14 - F

• BEAM NOTATION:
- "F" INDICATES FLUSH BEAM
- "FT" INDICATES FLUSH TOP BEAM
- "FB" INDICATES FLUSH BOTTOM BEAM
- "D" INDICATES DROPPED BEAM
- "H" INDICATES DROPPED OPENING HEADER
• REFER TO DETAIL D/SD2.0 FOR TYPICAL FLITCH BEAM CONNECTIONS
• REFER TO DETAIL E/SD2.0 FOR TYPICAL STEEL BEAM CONNECTIONS
• FOR FLUSH TOP BEAMS PROVIDE 2X STACKED PLATES BENEATH BEAM AS REQ'D. FASTEN PLATES IN SUCCESSION W/ (2) 3"x0.120" NAILS @ 8" O.C.
• FOR FLUSH BOTTOM BEAMS PROVIDE 2X STACKED PLATES ATOP BEAM AS REQ'D. FASTEN PLATES IN SUCCESSION W/ (2) 3"x0.120" NAILS @ 8" O.C.

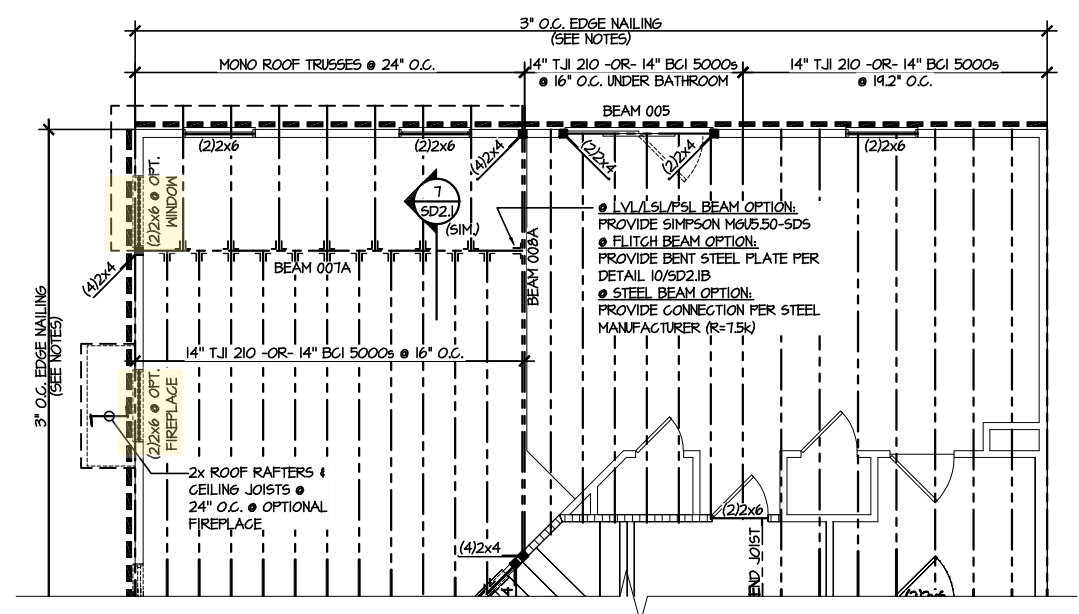
REFER TO S.O. FOR TYPICAL STRUCTURAL NOTES & SCHEDULES

SD2.0 & SD2.1 REFERS TO SD2.0J & SD2.1J FOR I-JOIST FLOOR FRAMING OR SD2.0T & SD2.1T FOR TRUSS FLOOR FRAMING

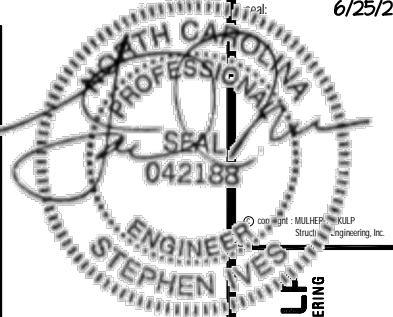
SD2.1J/SD2.1T REFERS TO SD2.1JA/SD2.1TA FOR LVL/PSL/LSL BEAMS OR SD2.1JB/SD2.1TB FOR FLITCH BEAMS OR SD2.1JC/SD2.1TC FOR STEEL BEAMS

LEGEND

- ◻ INTERIOR BEARING WALL
- ◻ BEARING WALL ABOVE
- BEAM / HEADER
- INDICATES SHEAR WALL & EXTENT
- ◻ EXTENT OF OVERFRAMING
- JL METAL HANGER
- INDICATES POST ABOVE. PROVIDE SOLID BLOCKING UNDER POST OR JAMB ABOVE.
- ▶ INDICATES HOLD-DOWN OR STRAP. REFER TO SCHEDULE.



2 PARTIAL 2ND FLOOR FRAMING PLAN OPT. 5' EXTENSION TO FAMILY ROOM - I-JOISTS
SCALE: 1/8"=1'-0"
ELEV. #1 SHOWN - ALL ELEV. SIMILAR



MULHERN+KULF
RESIDENTIAL STRUCTURAL ENGINEERING
300 Brookside Ave. Building 4 • Amber, PA 19002
P 215-946-8001 • mulhern+kulf.com
NC LIC. #C-3825

M&K project number:
126-21011
project mgr: JTR
drawn by: MDH
issue date: 06-25-21



Option Framing Plans
CAMERON MODEL
RALEIGH, NC

sheet: Right Hand
S5.0T

ENGINEERED BEAM MATERIAL SCHEDULE

BEAM NUMBER	LVL OPTION	PSL OPTION	LSL OPTION	FLITCH OPTION	STEEL OPTION
001	(4)1/2"x10" - FT	7"x10" - FT	N/A	(4)2x12 + (3) 3/4"x1/4" STEEL FLITCH PLATES - FB	W12x30 - F
001A	(4)1/2"x10" - D	7"x10" - D	N/A	(4)2x12 + (3) 3/4"x1/4" STEEL FLITCH PLATES - D	W12x30 - D
002	(2)1/2"x14" - F	3 1/2"x14" - F	(2)1/2"x14" - F	(2)2x12 + (1) 1/2"x1/4" STEEL FLITCH PLATE - FB	W12x14 - F
005	(2)1/2"x14" - F	3 1/2"x14" - F	(2)1/2"x14" - F	(2)2x12 + (1) 1/2"x1/4" STEEL FLITCH PLATE - FB	W12x14 - F
004	(1)1/2"x14" - F	1 1/2"x14" - F	(1)1/2"x14" - F	(2)2x12 + (1) 1/2"x1/4" STEEL FLITCH PLATE - FB	W12x14 - F
005	(2)1/2"x14" - H	3 1/2"x14" - H	(2)1/2"x14" - H	(2)2x10 + (1) 1/2"x1/4" STEEL FLITCH PLATE - H	W10x10 - H
006	(2)1/2"x14" - H	3 1/2"x14" - H	(3)1/2"x14" - H	(2)2x12 + (1) 1/2"x1/4" STEEL FLITCH PLATE - H	N/A
007	(2)1/2"x14" - F	3 1/2"x14" - F	(2)1/2"x14" - F	(2)2x12 + (1) 1/2"x1/4" STEEL FLITCH PLATES - FB	W12x14 - F
007A	(3)1/2"x14" - F	3 1/2"x14" - F	(3)1/2"x14" - F	(3)2x12 + (2) 1/2"x1/4" STEEL FLITCH PLATES - FB	W12x14 - F
008	(2)1/2"x14" - F	3 1/2"x14" - F	(3)1/2"x14" - F	(2)2x12 + (1) 1/2"x1/4" STEEL FLITCH PLATE - FB	W12x14 - F
008A	(3)1/2"x14" - F	3 1/2"x14" - F	(3)1/2"x14" - F	(3)2x12 + (2) 1/2"x1/4" STEEL FLITCH PLATES - FB	W12x14 - F
004	(3)1/2"x16" - D	3 1/2"x16" - D	N/A	(3)2x12 + (2) 1/2"x1/4" STEEL FLITCH PLATES - D	W12x14 - D
010	(2)1/2"x14" - D	3 1/2"x14" - D	(2)1/2"x14" - D	(2)2x10 + (1) 1/2"x1/4" STEEL FLITCH PLATE - D	W10x10 - D
011	(2)1/2"x14" - F	3 1/2"x14" - F	(2)1/2"x14" - F	(2)2x12 + (1) 1/2"x1/4" STEEL FLITCH PLATE - FB	W12x14 - F

- BEAM NOTATION:**
 - "F" INDICATES FLUSH BEAM
 - "FT" INDICATES FLUSH TOP BEAM
 - "FB" INDICATES FLUSH BOTTOM BEAM
 - "D" INDICATES DROPPED BEAM
 - "H" INDICATES DROPPED OPENING HEADER
- REFER TO DETAIL D/SD2.0 FOR TYPICAL FLITCH BEAM CONNECTIONS
- REFER TO DETAIL E/SD2.0 FOR TYPICAL STEEL BEAM CONNECTIONS
- FOR FLUSH TOP BEAMS PROVIDE 2X STACKED PLATES BENEATH BEAM AS REQ'D. FASTEN PLATES IN SUCCESSION W/ (2) 3"x0.120" NAILS @ 8" O.C.
- FOR FLUSH BOTTOM BEAMS PROVIDE 2X STACKED PLATES ATOP BEAM AS REQ'D. FASTEN PLATES IN SUCCESSION W/ (2) 3"x0.120" NAILS @ 8" O.C.

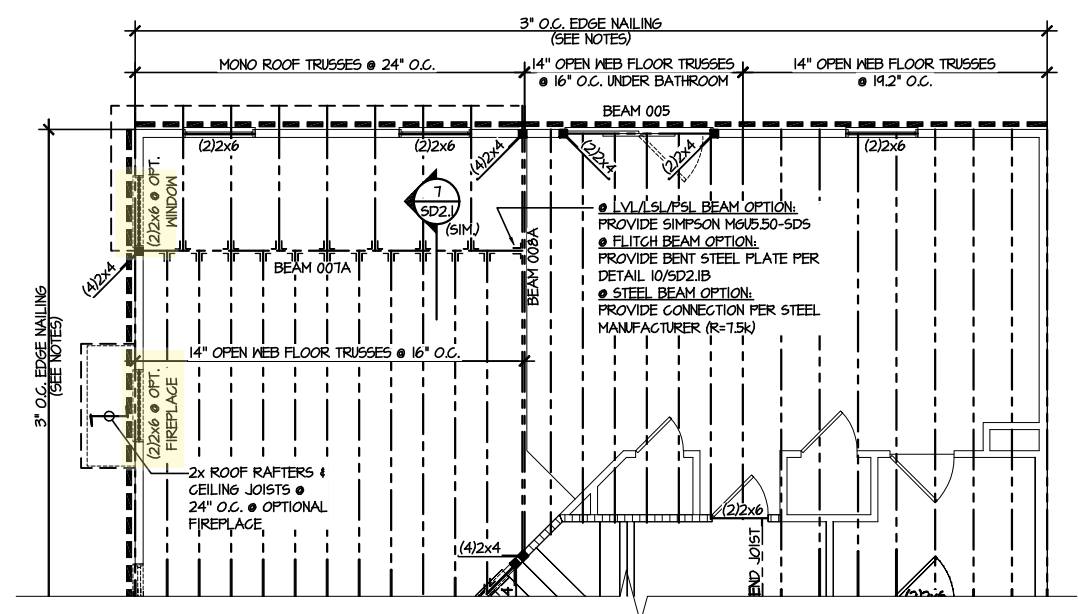
REFER TO SO.O FOR TYPICAL STRUCTURAL NOTES & SCHEDULES

SD2.0 & SD2.1 REFERS TO SD2.0J & SD2.1J FOR I-JOIST FLOOR FRAMING OR SD2.0T & SD2.1T FOR TRUSS FLOOR FRAMING

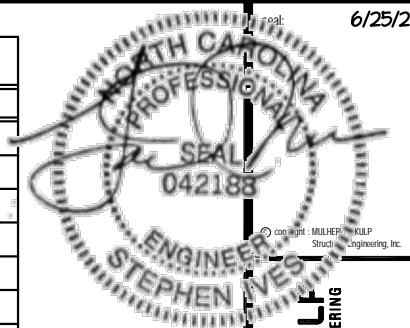
SD2.1J/SD2.1T REFERS TO SD2.1JA/SD2.1TA FOR LVL/PSL/LSL BEAMS OR SD2.1JB/SD2.1TB FOR FLITCH BEAMS OR SD2.1JC/SD2.1TC FOR STEEL BEAMS

LEGEND

- ◻ INTERIOR BEARING WALL
- ◻ BEARING WALL ABOVE
- BEAM / HEADER
- - - INDICATES SHEAR WALL & EXTENT
- ◻ EXTENT OF OVERFRAMING
- JL METAL HANGER
- INDICATES POST ABOVE. PROVIDE SOLID BLOCKING UNDER POST OR JAMB ABOVE.
- ▶ INDICATES HOLD-DOWN OR STRAP. REFER TO SCHEDULE.



2 PARTIAL 2ND FLOOR FRAMING PLAN OPT. 5' EXTENSION TO FAMILY ROOM - TRUSSES
SCALE: 1/8"=1'-0" ELEV. #1 SHOWN - ALL ELEV. SIMILAR



MULHERN+KULF
RESIDENTIAL STRUCTURAL ENGINEERING
300 Brookside Ave. Building 4 • Amber, PA 19002
P 215-946-8001 • mulhern+kulp.com
NC LIC. #C-3825

M&K project number:
126-21011
project mgr: JTR
drawn by: MDH
issue date: 06-25-21

REVISIONS:
date: initial:



Option Framing Plans
CAMERON MODEL
RALEIGH, NC

sheet: Right Hand
S5.1J

ENGINEERED BEAM MATERIAL SCHEDULE					
BEAM NUMBER	LVL OPTION	PSL OPTION	LSL OPTION	FLITCH OPTION	STEEL OPTION
001	(4)1/4"x10" - FT	7"x18" - FT	N/A	(4)2x12 + (3) 3/4"x1/4" STEEL FLITCH PLATES - FB	W12x30 - F
001A	(4)1/4"x10" - D	7"x18" - D	N/A	(4)2x12 + (3) 3/4"x1/4" STEEL FLITCH PLATES - D	W12x30 - D
002	(2)1/4"x14" - F	3 1/2"x14" - F	(2)1/4"x14" - F	(2)2x12 + (1) 1/2"x1/4" STEEL FLITCH PLATE - FB	W12x14 - F
003	(2)1/4"x14" - F	3 1/2"x14" - F	(2)1/4"x14" - F	(2)2x12 + (1) 1/2"x1/4" STEEL FLITCH PLATE - FB	W12x14 - F
004	(1)1/4"x14" - F	1 1/2"x14" - F	(1)1/4"x14" - F	(2)2x12 + (1) 1/2"x1/4" STEEL FLITCH PLATE - FB	W12x14 - F
005	(2)1/4"x14" - H	3 1/2"x14" - H	(2)1/4"x14" - H	(2)2x10 + (1) 1/2"x1/4" STEEL FLITCH PLATE - H	W10x10 - H
006	(2)1/4"x14" - H	3 1/2"x14" - H	(3)1/4"x14" - H	(2)2x12 + (1) 1/2"x1/4" STEEL FLITCH PLATE - H	N/A
007	(2)1/4"x14" - F	3 1/2"x14" - F	(2)1/4"x14" - F	(2)2x12 + (1) 1/2"x1/4" STEEL FLITCH PLATE - FB	W12x14 - F
007A	(3)1/4"x14" - F	3 1/2"x14" - F	(3)1/4"x14" - F	(3)2x12 + (2) 1/2"x1/4" STEEL FLITCH PLATES - FB	W12x14 - F
008	(2)1/4"x14" - F	3 1/2"x14" - F	(3)1/4"x14" - F	(2)2x12 + (1) 1/2"x1/4" STEEL FLITCH PLATE - FB	W12x14 - F
008A	(3)1/4"x14" - F	3 1/2"x14" - F	(3)1/4"x14" - F	(3)2x12 + (2) 1/2"x1/4" STEEL FLITCH PLATES - FB	W12x14 - F
009	(3)1/4"x16" - D	3 1/2"x16" - D	N/A	(3)2x12 + (2) 1/2"x1/4" STEEL FLITCH PLATES - D	W12x14 - D
010	(2)1/4"x14" - D	3 1/2"x14" - D	(2)1/4"x14" - D	(2)2x10 + (1) 1/2"x1/4" STEEL FLITCH PLATE - D	W10x10 - D
011	(2)1/4"x14" - F	3 1/2"x14" - F	(2)1/4"x14" - F	(2)2x12 + (1) 1/2"x1/4" STEEL FLITCH PLATE - FB	W12x14 - F

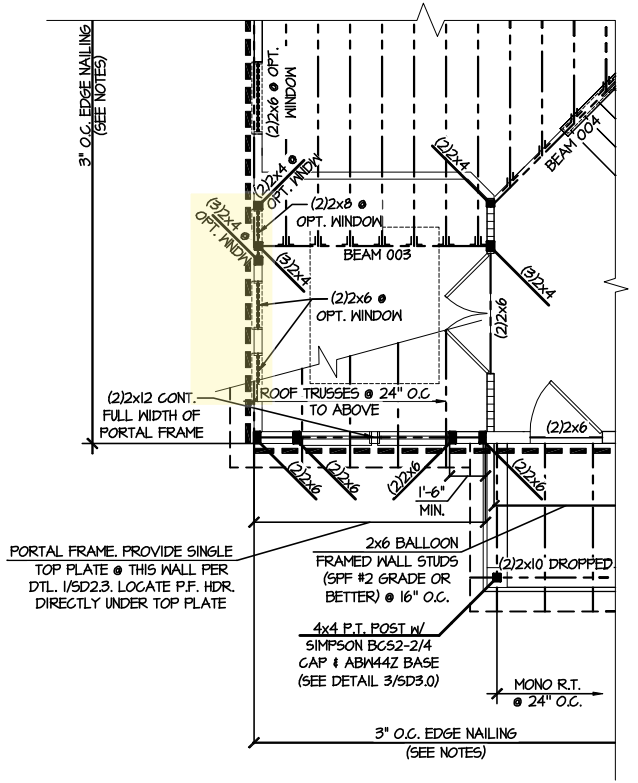
- BEAM NOTATION:
- "F" INDICATES FLUSH BEAM
- "FT" INDICATES FLUSH TOP BEAM
- "FB" INDICATES FLUSH BOTTOM BEAM
- "D" INDICATES DROPPED BEAM
- "H" INDICATES DROPPED OPENING HEADER
- REFER TO DETAIL D/SD2.0 FOR TYPICAL FLITCH BEAM CONNECTIONS
- REFER TO DETAIL E/SD2.0 FOR TYPICAL STEEL BEAM CONNECTIONS
- FOR FLUSH TOP BEAMS PROVIDE 2X STACKED PLATES BENEATH BEAM AS REQ'D. FASTEN PLATES IN SUCCESSION W/ (2) 3"x0.120" NAILS @ 8" O.C.
- FOR FLUSH BOTTOM BEAMS PROVIDE 2X STACKED PLATES ATOP BEAM AS REQ'D. FASTEN PLATES IN SUCCESSION W/ (2) 3"x0.120" NAILS @ 8" O.C.

- LEGEND**
- [Symbol] INTERIOR BEARING WALL
 - [Symbol] BEARING WALL ABOVE
 - [Symbol] BEAM / HEADER
 - [Symbol] INDICATES SHEAR WALL & EXTENT
 - [Symbol] EXTENT OF OVERFRAMING
 - JL METAL HANGER
 - [Symbol] INDICATES POST ABOVE. PROVIDE SOLID BLOCKING UNDER POST OR JAMB ABOVE.
 - ▶ [Symbol] INDICATES HOLD-DOWN OR STRAP. REFER TO SCHEDULE.

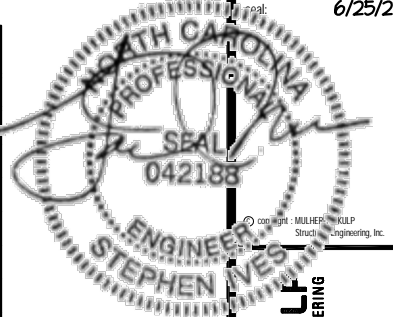
REFER TO S0.0 FOR TYPICAL STRUCTURAL NOTES & SCHEDULES

SD2.0 & SD2.1 REFERS TO SD2.0J & SD2.1J FOR I-JOIST FLOOR FRAMING OR SD2.0T & SD2.1T FOR TRUSS FLOOR FRAMING

SD2.1J/SD2.1T REFERS TO SD2.1JA/SD2.1TA FOR LVL/PSL/LSL BEAMS OR SD2.1JB/SD2.1TB FOR FLITCH BEAMS OR SD2.1JC/SD2.1TC FOR STEEL BEAMS



PARTIAL 2ND FLOOR FRAMING PLAN
OPTIONAL STUDY - I-JOISTS
SCALE: 1/8"=1'-0"
OPT. TRIPLE WINDOW @ FLEX SIM.
ELEV #1 SHOWN - ALL ELEV. SIMILAR

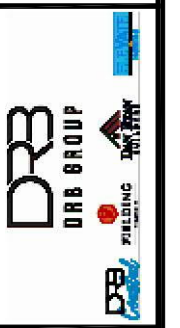


MULHERN+KULF
RESIDENTIAL STRUCTURAL ENGINEERING
300 Brookside Ave. Building 4 • Amber, PA 19002
P 215-946-8001 • mulhern+kulf.com
NC LIC. #C-3825



M&K project number:
126-21011
project mgr: JTR
drawn by: MDH
issue date: 06-25-21

REVISIONS:
date: initial:



Option Framing Plans
CAMERON MODEL
RALEIGH, NC

sheet: Right Hand
S5.1T

ENGINEERED BEAM MATERIAL SCHEDULE					
BEAM NUMBER	LVL OPTION	PSL OPTION	LSL OPTION	FLITCH OPTION	STEEL OPTION
001	(4)1/4"x10" - FT	7"x18" - FT	N/A	(4)2x12 + (3) 3/4"x1/4" STEEL FLITCH PLATES - FB	W12x30 - F
001A	(4)1/4"x10" - D	7"x18" - D	N/A	(4)2x12 + (3) 3/4"x1/4" STEEL FLITCH PLATES - D	W12x30 - D
002	(2)1/4"x14" - F	3 1/2"x14" - F	(2)1/4"x14" - F	(2)2x12 + (1) 1/2"x1/4" STEEL FLITCH PLATE - FB	W12x14 - F
003	(2)1/4"x14" - F	3 1/2"x14" - F	(2)1/4"x14" - F	(2)2x12 + (1) 1/2"x1/4" STEEL FLITCH PLATE - FB	W12x14 - F
004	(1)1/4"x14" - F	1 1/2"x14" - F	(1)1/4"x14" - F	(2)2x12 + (1) 1/2"x1/4" STEEL FLITCH PLATE - FB	W12x14 - F
005	(2)1/4"x14" - H	3 1/2"x14" - H	(2)1/4"x14" - H	(2)2x10 + (1) 1/2"x1/4" STEEL FLITCH PLATE - H	W10x10 - H
006	(2)1/4"x14" - H	3 1/2"x14" - H	(3)1/4"x14" - H	(2)2x12 + (1) 1/2"x1/4" STEEL FLITCH PLATE - H	N/A
007	(2)1/4"x14" - F	3 1/2"x14" - F	(2)1/4"x14" - F	(2)2x12 + (1) 1/2"x1/4" STEEL FLITCH PLATE - FB	W12x14 - F
007A	(3)1/4"x14" - F	3 1/4"x14" - F	(3)1/4"x14" - F	(3)2x12 + (2) 1/2"x1/4" STEEL FLITCH PLATES - FB	W12x14 - F
008	(2)1/4"x14" - F	3 1/2"x14" - F	(3)1/4"x14" - F	(2)2x12 + (1) 1/2"x1/4" STEEL FLITCH PLATE - FB	W12x14 - F
008A	(3)1/4"x14" - F	3 1/4"x14" - F	(3)1/4"x14" - F	(3)2x12 + (2) 1/2"x1/4" STEEL FLITCH PLATES - FB	W12x14 - F
009	(3)1/4"x16" - D	3 1/4"x16" - D	N/A	(3)2x12 + (2) 1/2"x1/4" STEEL FLITCH PLATES - D	W12x14 - D
010	(2)1/4"x14" - D	3 1/2"x14" - D	(2)1/4"x14" - D	(2)2x10 + (1) 1/2"x1/4" STEEL FLITCH PLATE - D	W10x10 - D
011	(2)1/4"x14" - F	3 1/2"x14" - F	(2)1/4"x14" - F	(2)2x12 + (1) 1/2"x1/4" STEEL FLITCH PLATE - FB	W12x14 - F

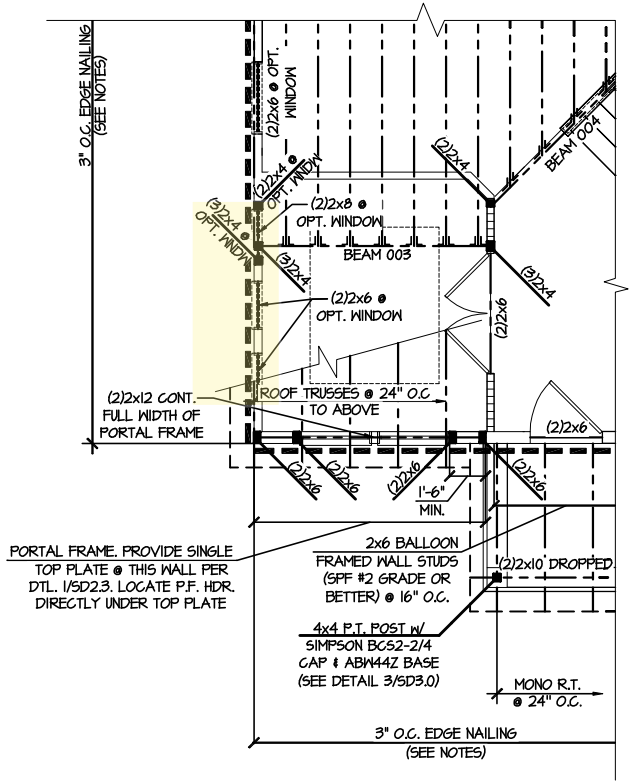
- BEAM NOTATION:
- "F" INDICATES FLUSH BEAM
- "FT" INDICATES FLUSH TOP BEAM
- "FB" INDICATES FLUSH BOTTOM BEAM
- "D" INDICATES DROPPED BEAM
- "H" INDICATES DROPPED OPENING HEADER
- REFER TO DETAIL D/SD2.0 FOR TYPICAL FLITCH BEAM CONNECTIONS
- REFER TO DETAIL E/SD2.0 FOR TYPICAL STEEL BEAM CONNECTIONS
- FOR FLUSH TOP BEAMS PROVIDE 2X STACKED PLATES BENEATH BEAM AS REQ'D. FASTEN PLATES IN SUCCESSION W/ (2) 3"x0.120" NAILS @ 8" O.C.
- FOR FLUSH BOTTOM BEAMS PROVIDE 2X STACKED PLATES ATOP BEAM AS REQ'D. FASTEN PLATES IN SUCCESSION W/ (2) 3"x0.120" NAILS @ 8" O.C.

LEGEND	
• [Symbol]	INTERIOR BEARING WALL
• [Symbol]	BEARING WALL ABOVE
• [Symbol]	BEAM / HEADER
• [Symbol]	INDICATES SHEAR WALL & EXTENT
• [Symbol]	EXTENT OF OVERFRAMING
JL	METAL HANGER
• [Symbol]	INDICATES POST ABOVE. PROVIDE SOLID BLOCKING UNDER POST OR JAMB ABOVE.
▶ [Symbol]	INDICATES HOLD-DOWN OR STRAP. REFER TO SCHEDULE.

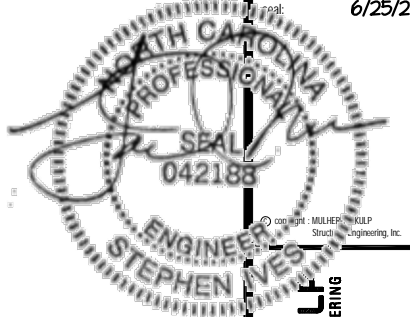
REFER TO SO.O FOR TYPICAL STRUCTURAL NOTES & SCHEDULES

SD2.0 & SD2.1 REFERS TO SD2.0J & SD2.1J FOR I-JOIST FLOOR FRAMING OR SD2.0T & SD2.1T FOR TRUSS FLOOR FRAMING

SD2.1J/SD2.1T REFERS TO SD2.1JA/SD2.1TA FOR LVL/PSL/LSL BEAMS OR SD2.1JB/SD2.1TB FOR FLITCH BEAMS OR SD2.1JC/SD2.1TC FOR STEEL BEAMS

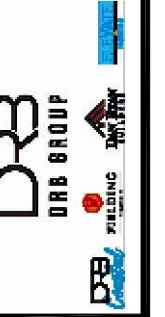


PARTIAL 2ND FLOOR FRAMING PLAN
OPTIONAL STUDY - TRUSSES
SCALE: 1/8"=1'-0"
OPT. TRIPLE WINDOW @ FLEX SIM.
ELEV #1 SHOWN - ALL ELEV. SIMILAR



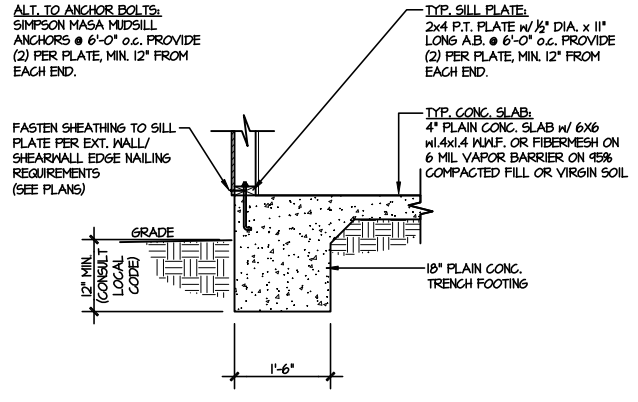
MULHERN+KULP
RESIDENTIAL STRUCTURAL ENGINEERING
300 Brookside Ave. Building 4 • Amber, PA 19002
P 215-946-8001 • mulhern+kulp.com
NC LIC. #C-3825

M&K project number:
126-21011
project mgr: JTR
drawn by: MDH
issue date: 06-25-21
REVISIONS:
date: initial:

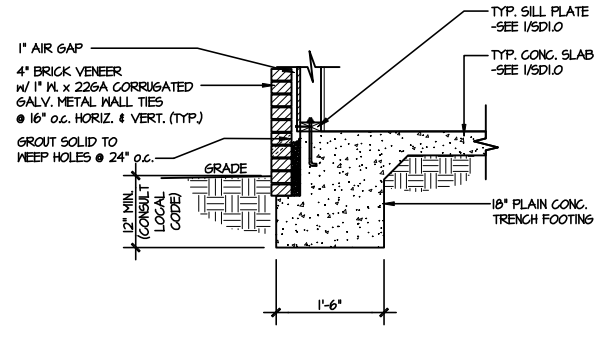


Foundation Details
CAMERON MODEL
RALEIGH, NC

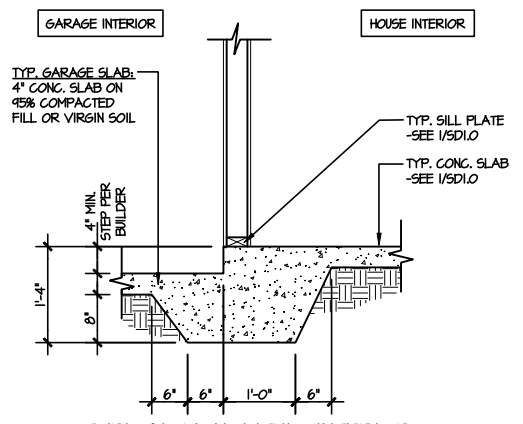
sheet:
SD1.0



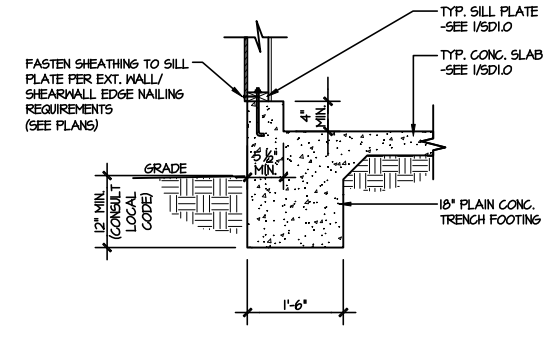
1 TYPICAL SLAB ON GRADE PERIMETER FOOTING
SCALE: 3/8"=1'-0"



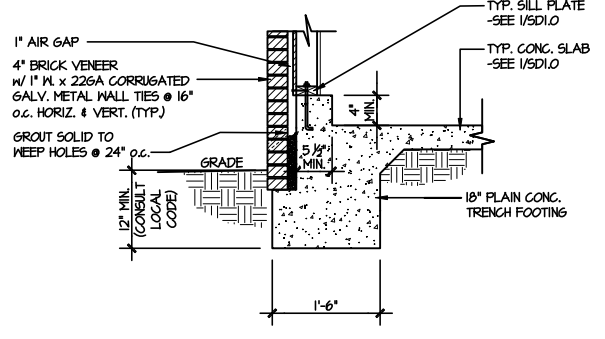
2 TYPICAL SLAB ON GRADE PERIMETER FOOTING
SCALE: 3/8"=1'-0" W/ BRICK VENEER



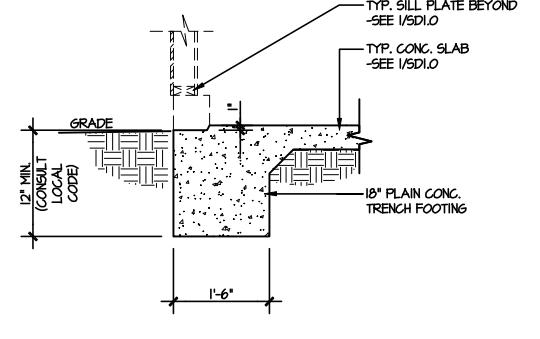
3 TYPICAL MONOLITHIC INTERIOR GARAGE FOOTING
SCALE: 3/8"=1'-0"



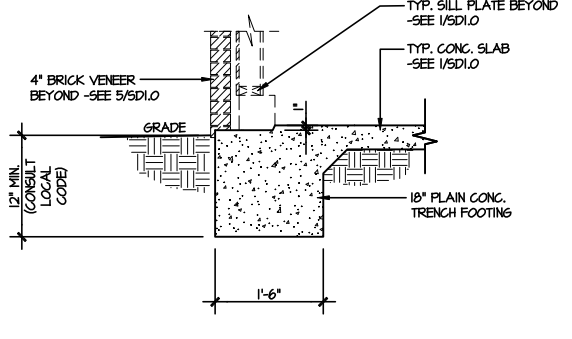
4 TYPICAL SLAB ON GRADE GARAGE PERIMETER FOOTING
SCALE: 3/8"=1'-0"



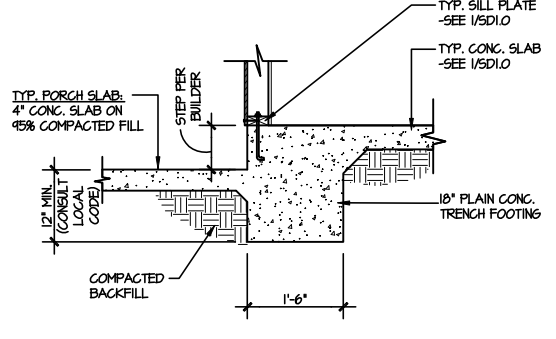
5 TYPICAL SLAB ON GRADE GARAGE PERIMETER FOOTING
SCALE: 3/8"=1'-0" W/ BRICK VENEER



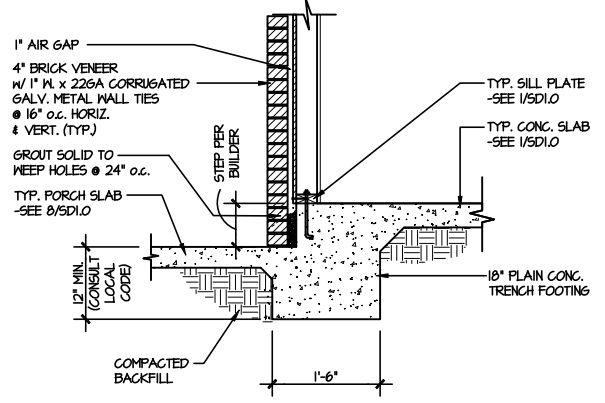
6 TYPICAL SLAB ON GRADE GARAGE ENTRY @ PERIMETER FOOTING
SCALE: 3/8"=1'-0"



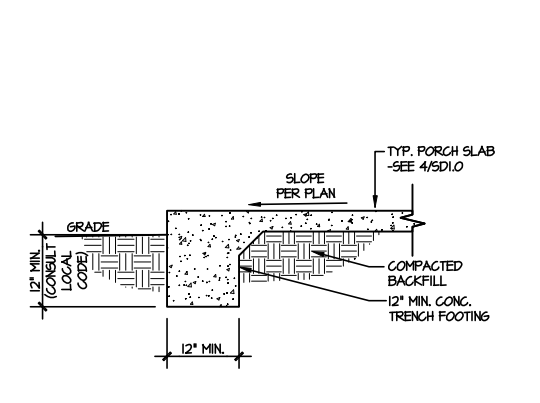
7 TYPICAL SLAB ON GRADE GARAGE ENTRY @ PERIMETER FOOTING
SCALE: 3/8"=1'-0" W/ BRICK VENEER



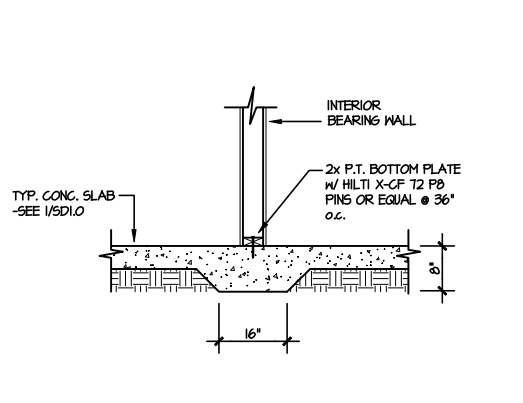
8 TYPICAL SLAB ON GRADE PERIMETER FOOTING @ PORCH/PATIO
SCALE: 3/8"=1'-0"



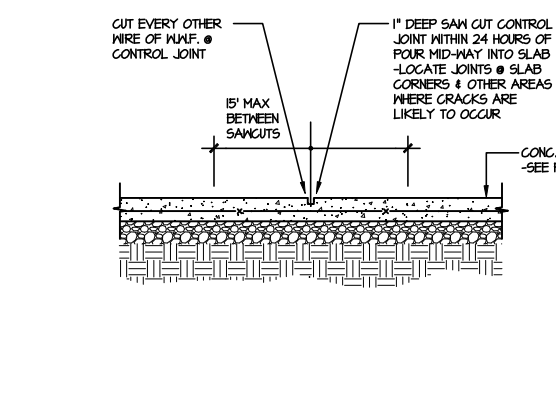
9 TYPICAL SLAB ON GRADE PERIMETER FOOTING @ PORCH/PATIO
SCALE: 3/8"=1'-0" W/ BRICK VENEER



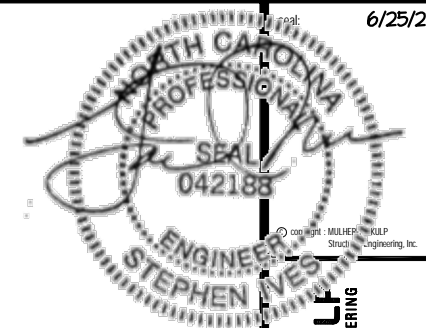
10 TYPICAL FOOTING @ PORCH SLAB
SCALE: 3/8"=1'-0"



11 TYPICAL THICKENED SLAB @ INTERIOR BEARING WALL
SCALE: 3/8"=1'-0"



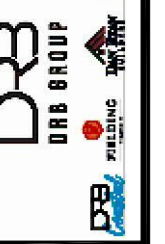
12 TYPICAL CONTROL JOINT
SCALE: 3/8"=1'-0"
LOCATE @ 15'-0" O.C. MAX. OR CORNERS WHERE CRACKS LIKELY TO DEVELOP



MULHERN+KULF
RESIDENTIAL STRUCTURAL ENGINEERING
300 Brookside Ave. Building 4 • Amber, PA 18002
P 215-946-8001 • mulhern+kulf.com
NC LIC. #C-3825

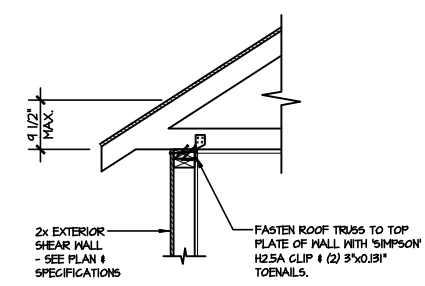


M&K project number:
126-21011
project mgr: JTR
drawn by: MDH
issue date: 06-25-21
REVISIONS:
date: initial:

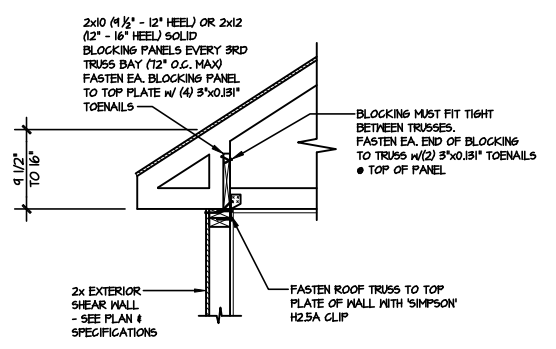


Framing Details
CAMERON MODEL
RALEIGH, NC

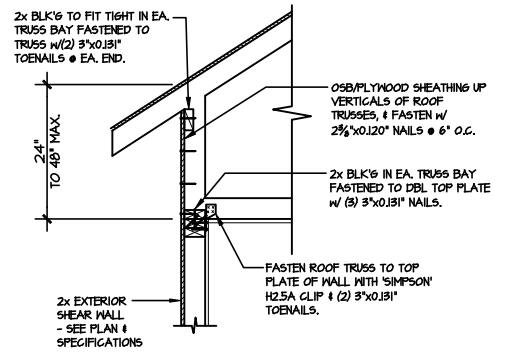
sheet:
SD2.0J



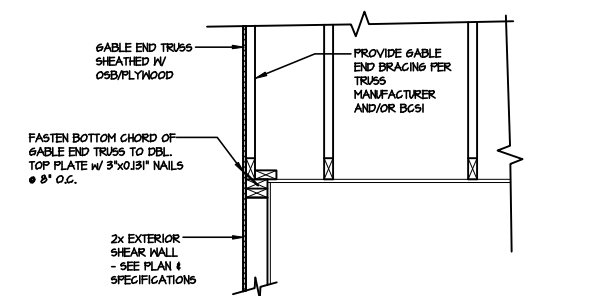
(A1) TYPICAL SHEAR TRANSFER DETAIL @ ROOF
SCALE: 3/8"=1'-0"
HEEL HEIGHT LESS THAN 9 1/2" NO BLOCKING REQ'D



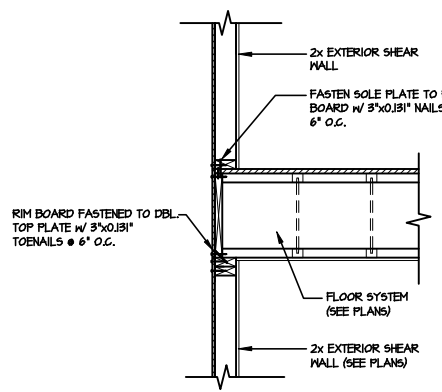
(A2) TYPICAL SHEAR TRANSFER DETAIL @ ROOF
SCALE: 3/8"=1'-0"
HEEL HEIGHT BETWEEN 9 1/2" - 16" BLOCKING REQ'D



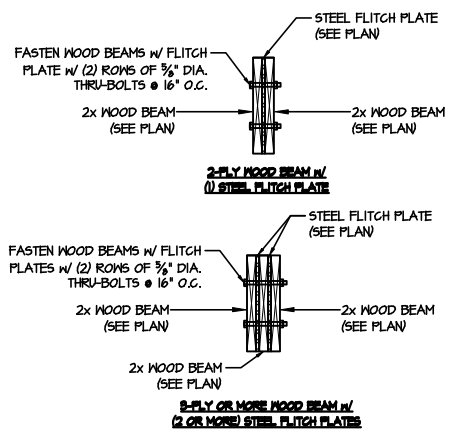
(A3) TYPICAL SHEAR TRANSFER DETAIL @ RAISED HEEL TRUSS
SCALE: 3/8"=1'-0"
HEEL HEIGHT UP TO 48" MAX.



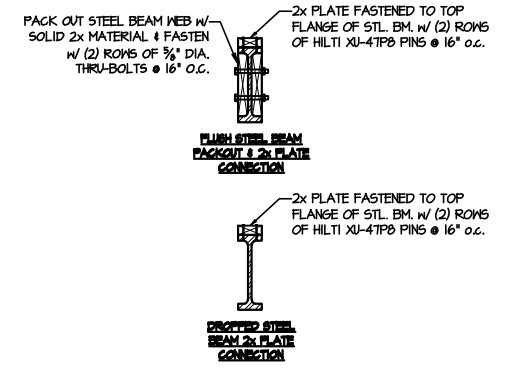
(B) TYPICAL GABLE END DETAIL
SCALE: 3/8"=1'-0"



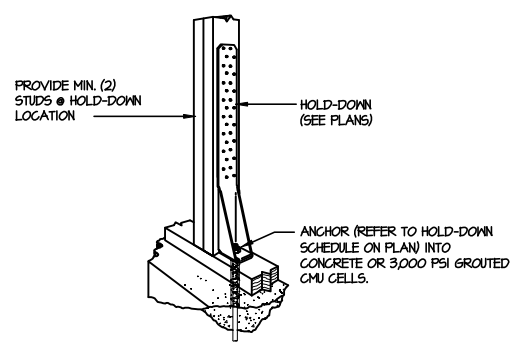
(C) TYPICAL SHEAR TRANSFER DETAIL BETWEEN FLOORS @ EXTERIOR WALL
SCALE: 3/8"=1'-0"



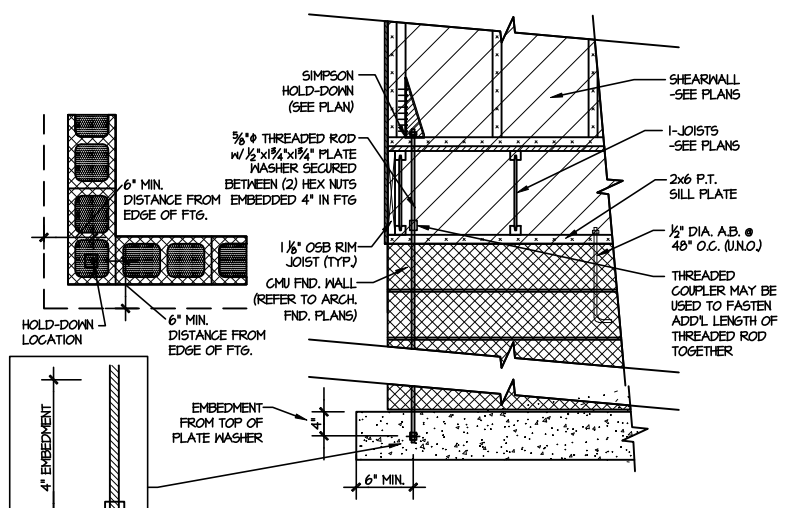
(D) TYPICAL FLITCH BEAM CONNECTION DETAIL
SCALE: 3/4"=1'-0"



(E) TYPICAL STEEL BEAM CONNECTION DETAIL
SCALE: 3/4"=1'-0"



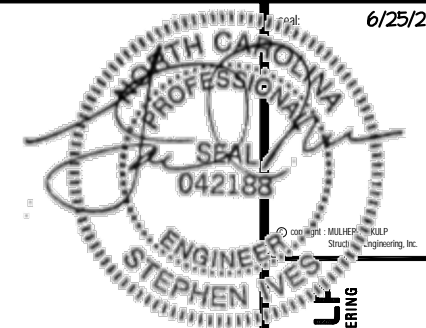
(F1) TYPICAL HOLD DOWN INSTALLATION
SCALE: N.T.S.



(F2) TYPICAL CMU FOUNDATION HOLD-DOWN INSTALLATION
SCALE: N.T.S. (CORNER SHOWN - APPLICABLE TO ALL CONDITIONS)

LETTERED DETAILS ARE TYPICAL FOR THIS HOME & SHALL BE IMPLEMENTED IN ALL APPLICABLE AREAS. THESE DETAILS ARE NOT "CUT" ON THE PLANS.

NUMBERED DETAILS ARE PLAN SPECIFIC AND ARE ONLY REQUIRED WHERE SPECIFICALLY INDICATED ("CUT") ON THE PLANS.

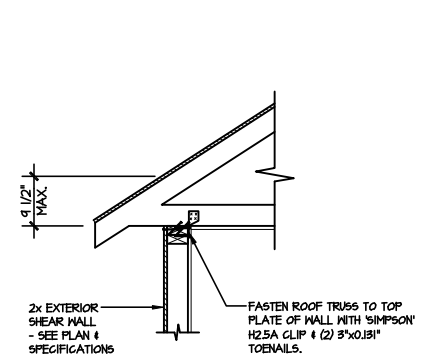


MULHERN+KULF
RESIDENTIAL STRUCTURAL ENGINEERING
300 Brookside Ave. Building 4 • Amber, PA 18002
P 215-946-8001 • mulhern+kulf.com
NC LIC. #C-3825

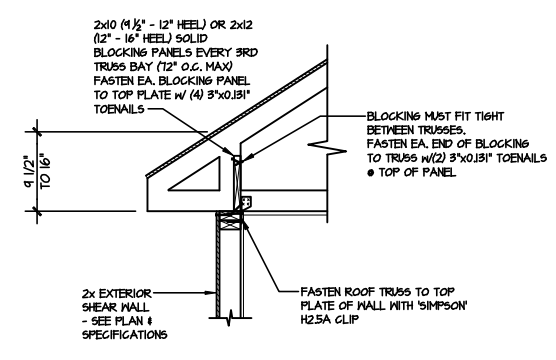
M&K project number: 126-21011
project mgr: JTR
drawn by: MDH
issue date: 06-25-21
REVISIONS:
date: initial

Framing Details
CAMERON MODEL
RALEIGH, NC

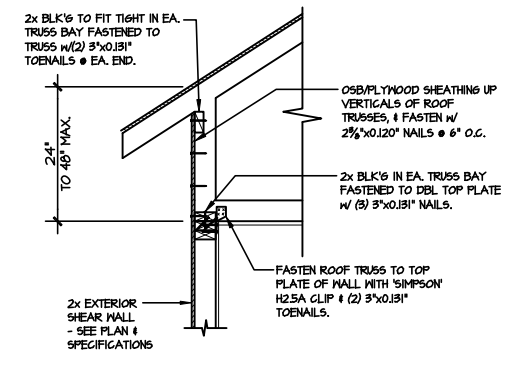
sheet: **SD2.0T**



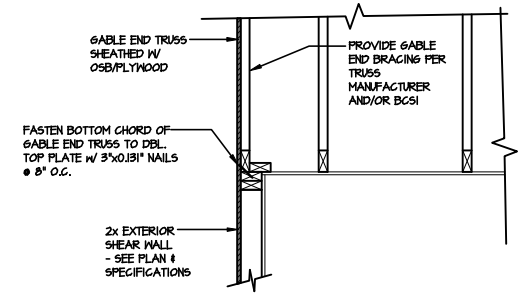
AI TYPICAL SHEAR TRANSFER DETAIL @ ROOF
SCALE: 3/8"=1'-0" HEEL HEIGHT LESS THAN 1 1/2" NO BLOCKING REQ'D



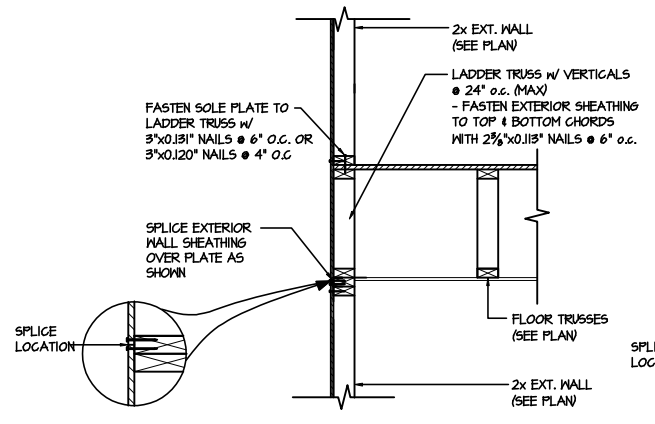
A2 TYPICAL SHEAR TRANSFER DETAIL @ ROOF
SCALE: 3/8"=1'-0" HEEL HEIGHT BETWEEN 1 1/2" - 16" BLOCKING REQ'D



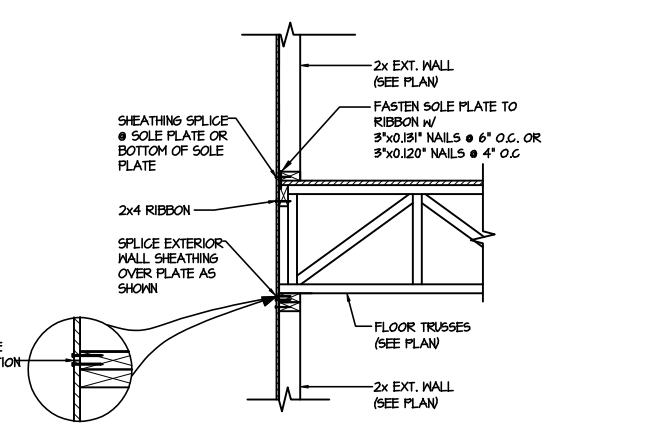
A3 TYPICAL SHEAR TRANSFER DETAIL @ RAISED HEEL TRUSS
SCALE: 3/8"=1'-0" HEEL HEIGHT UP TO 48" MAX



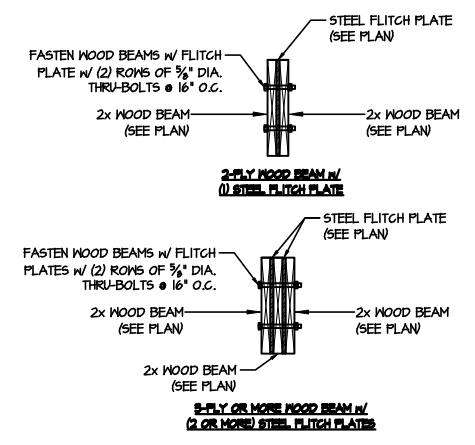
B TYPICAL GABLE END DETAIL
SCALE: 3/8"=1'-0"



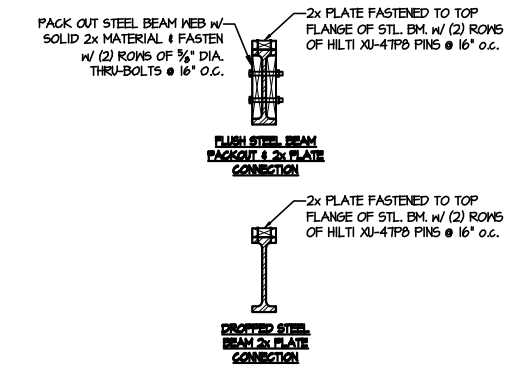
C1 TYPICAL SHEAR TRANSFER DETAIL BETWEEN FLOORS @ EXTERIOR WALL
SCALE: 3/8"=1'-0" PARALLEL FRAM



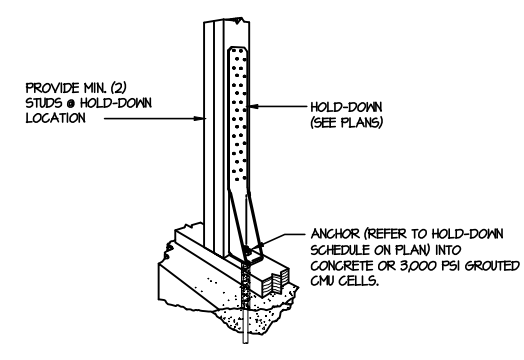
C2 TYPICAL SHEAR TRANSFER DETAIL BETWEEN FLOORS @ EXTERIOR WALL
SCALE: 3/8"=1'-0" PERPENDICULAR FRAM



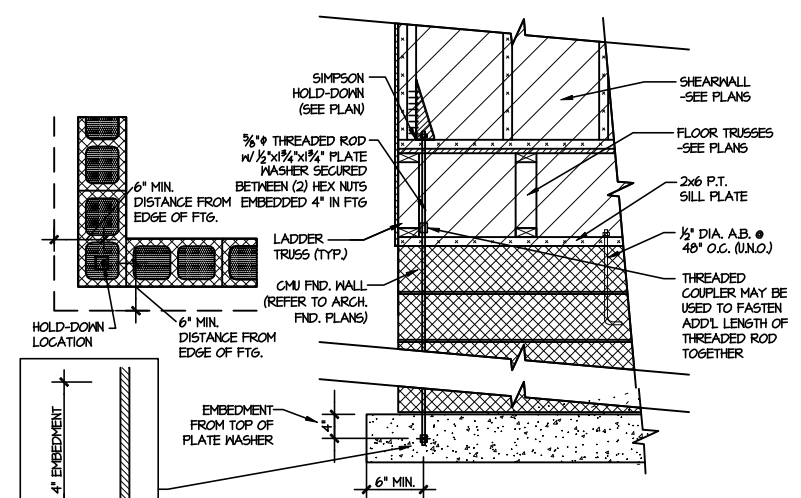
D TYPICAL FITCH BEAM CONNECTION DETAIL
SCALE: 3/4"=1'-0"



E TYPICAL STEEL BEAM CONNECTION DETAIL
SCALE: 3/4"=1'-0"



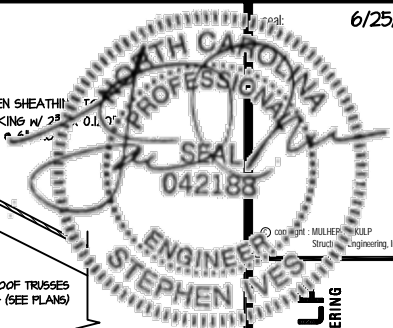
F1 TYPICAL HOLD DOWN INSTALLATION
SCALE: N.T.S.



F2 TYPICAL CMU FOUNDATION HOLD-DOWN INSTALLATION
SCALE: N.T.S. (CORNER SHOWN - APPLICABLE TO ALL CONDITIONS)

LETTERED DETAILS ARE TYPICAL FOR THIS HOME & SHALL BE IMPLEMENTED IN ALL APPLICABLE AREAS. THESE DETAILS ARE NOT "CUT" ON THE PLANS.

NUMBERED DETAILS ARE PLAN SPECIFIC AND ARE ONLY REQUIRED WHERE SPECIFICALLY INDICATED ("CUT") ON THE PLANS.



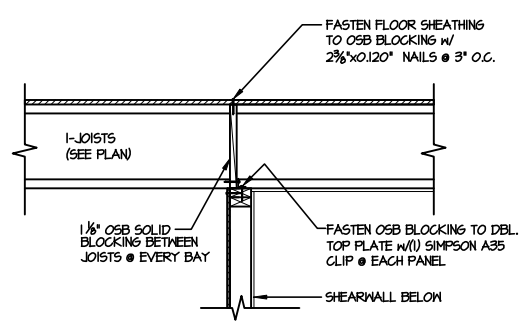
MULHERN+KULF
RESIDENTIAL STRUCTURAL ENGINEERING
300 Brookside Ave. Building 4 • Amber, PA 18002
P 215-946-8001 • mulhern+kulf.com
NC LIC. #C-3825

M&K project number:
126-21011
project mgr: JTR
drawn by: MDH
issue date: 06-25-21
REVISIONS:
date: initial:

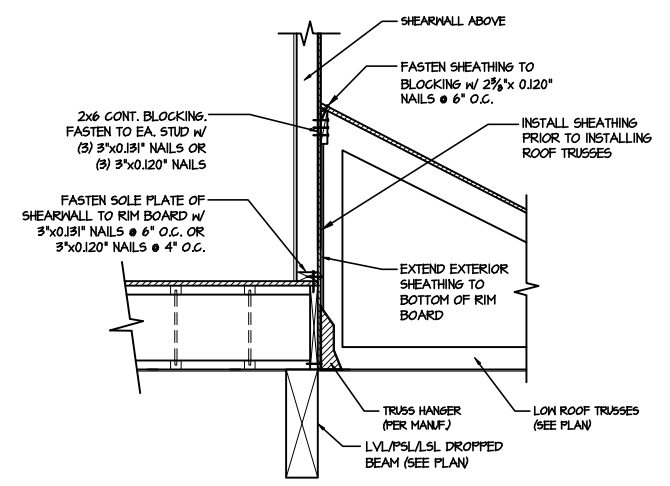


Framing Details
CAMERON MODEL
RALEIGH, NC

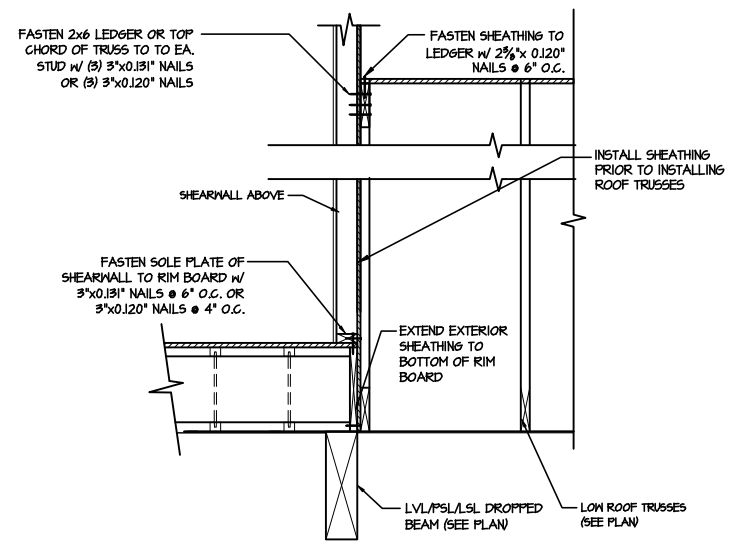
sheet:
SD2.1AJ



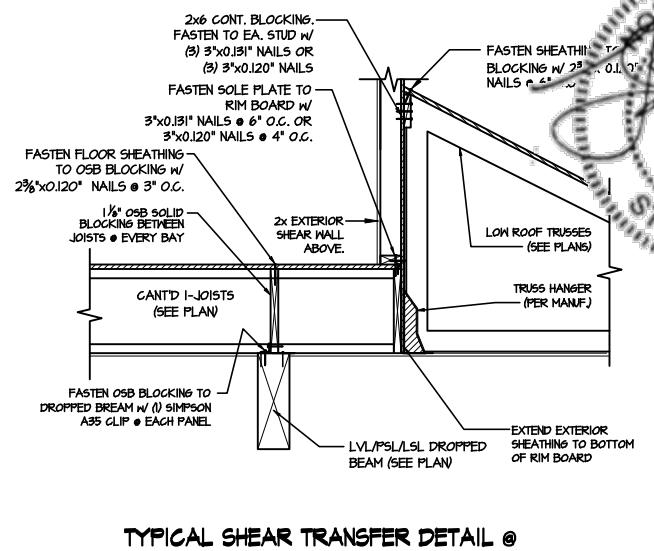
1 SHEAR TRANSFER DETAIL @ INTERIOR SHEARWALL BELOW
SCALE: 3/4"=1'-0"
PERPENDICULAR FRAMING



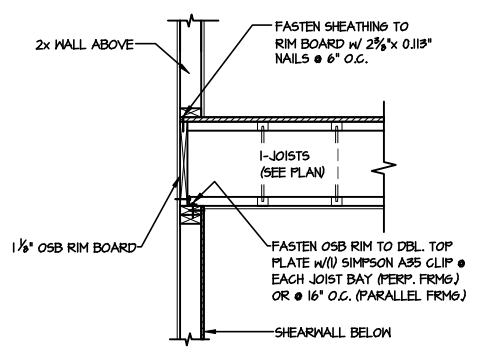
2 SHEAR TRANSFER DETAIL @ EXTERIOR SHEARWALL ABOVE
SCALE: 3/8"=1'-0"



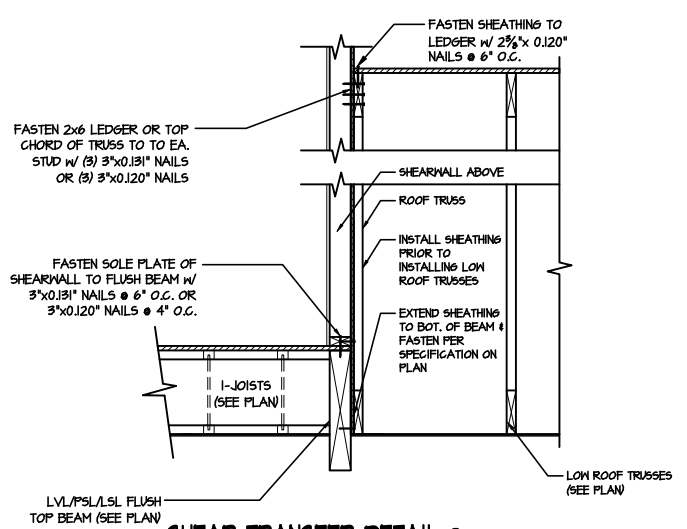
2A SHEAR TRANSFER DETAIL @ EXTERIOR SHEARWALL ABOVE
SCALE: 3/8"=1'-0"



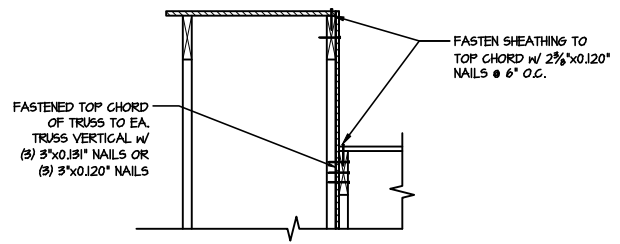
3 TYPICAL SHEAR TRANSFER DETAIL @ EXTERIOR WALL ABOVE OVER GARAGE
SCALE: 3/8"=1'-0"



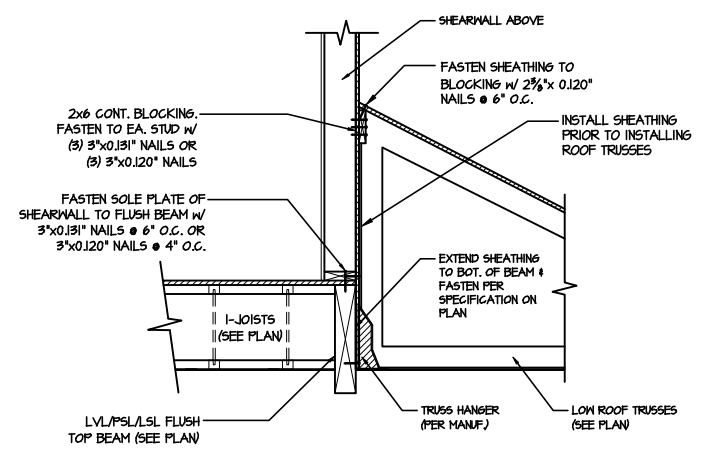
4 SHEAR TRANSFER DETAIL @ INT. SHEARWALL BELOW
SCALE: 3/4"=1'-0"
EDGE OF FRAMING



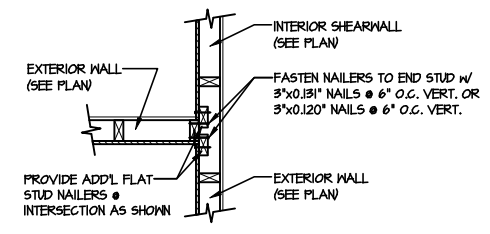
5 SHEAR TRANSFER DETAIL @ EXTERIOR SHEARWALL ABOVE
SCALE: 3/8"=1'-0"



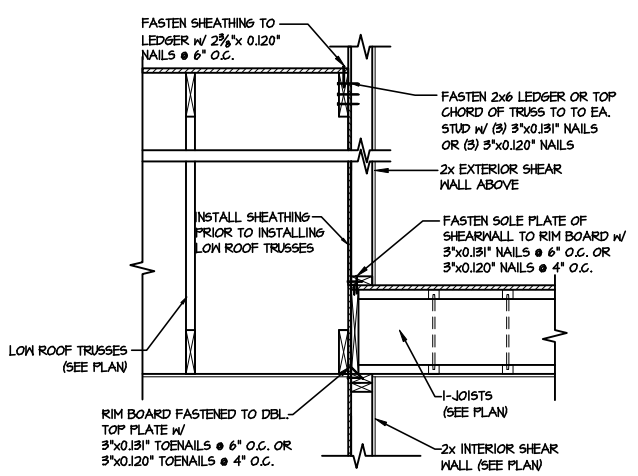
6 SHEAR TRANSFER DETAIL @ EXTERIOR SHEARWALL ABOVE
SCALE: 3/8"=1'-0"



7 SHEAR TRANSFER DETAIL @ EXTERIOR SHEARWALL ABOVE
SCALE: 3/8"=1'-0"

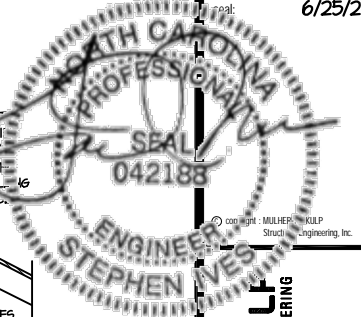


8 SHEAR TRANSFER DETAIL @ INTERSECTING INT. SHEARWALL
SCALE: 3/4"=1'-0"
SITE ON SAME PAGE



9 TYPICAL SHEAR TRANSFER DETAIL BETWEEN FLOORS @ INTERIOR WALL
SCALE: 3/4"=1'-0"

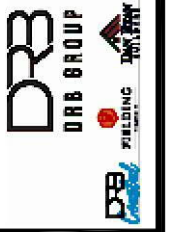
LETTERED DETAILS ARE TYPICAL FOR THIS HOME & SHALL BE IMPLEMENTED IN ALL APPLICABLE AREAS. THESE DETAILS ARE NOT "CUT" ON THE PLANS.
NUMBERED DETAILS ARE PLAN SPECIFIC AND ARE ONLY REQUIRED WHERE SPECIFICALLY INDICATED ("CUT") ON THE PLANS.



MULHERN+KULP
RESIDENTIAL STRUCTURAL ENGINEERING
300 Brookside Ave. Building 4 • Amber, PA 18002
P 215-946-8001 • mulhern+kulp.com
NC LIC. #C-3825

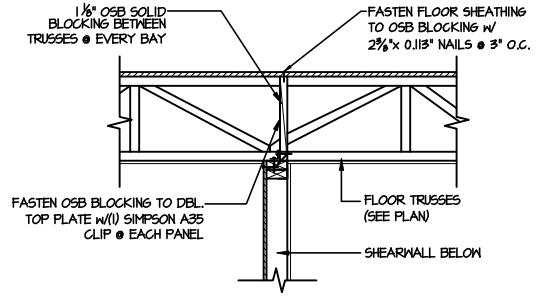


M&K project number:
126-21011
project mgr: JTR
drawn by: MDH
issue date: 06-25-21
REVISIONS:
date: initial

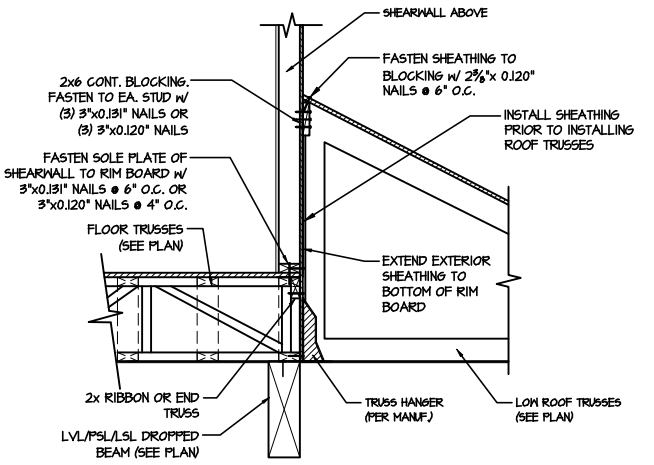


Framing Details
CAMERON MODEL
RALEIGH, NC

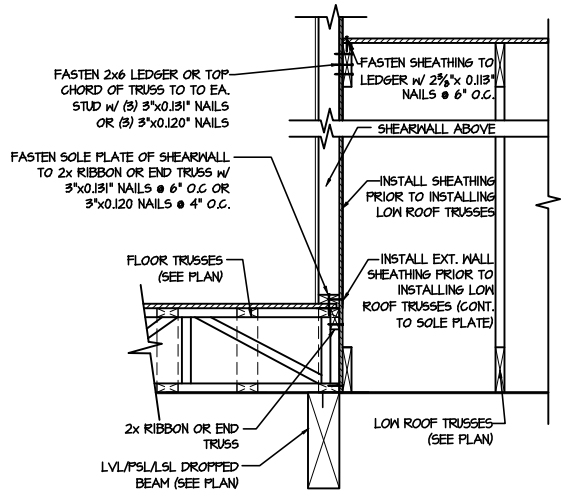
sheet:
SD2.1AT



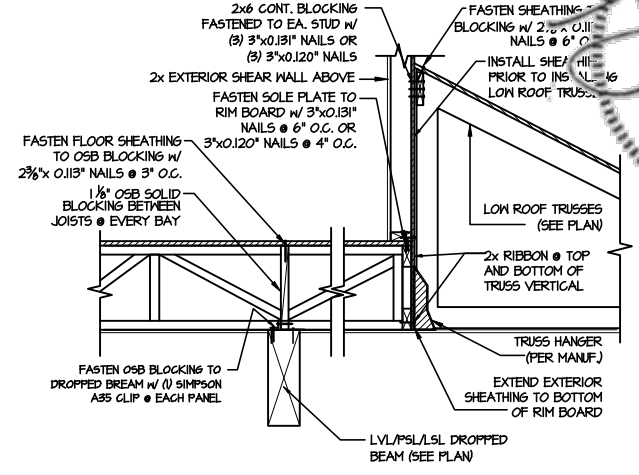
1 SHEAR TRANSFER DETAIL @
INTERIOR SHEARWALL BELOW
SCALE: 3/4"=1'-0"
PERPENDICULAR FRAMING



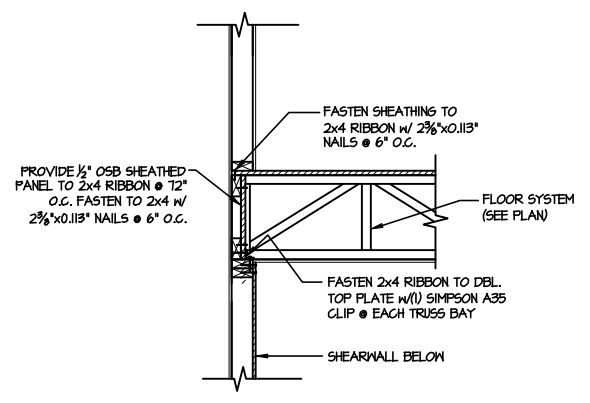
2 SHEAR TRANSFER DETAIL @
EXTERIOR SHEARWALL ABOVE
SCALE: 3/8"=1'-0"



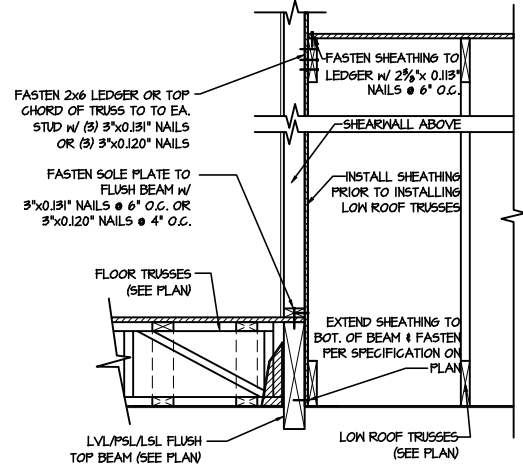
2A SHEAR TRANSFER DETAIL @
EXTERIOR SHEARWALL ABOVE
SCALE: 3/8"=1'-0"



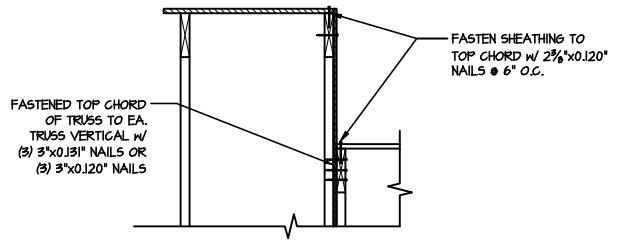
3 TYPICAL SHEAR TRANSFER DETAIL @
EXTERIOR WALL ABOVE OVER GARAGE
SCALE: 3/8"=1'-0"



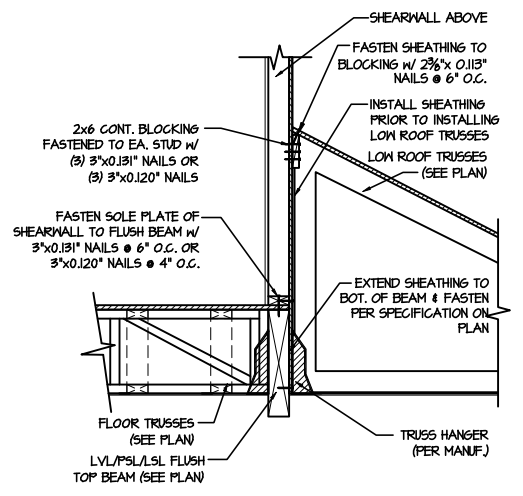
4 SHEAR TRANSFER DETAIL @
INTERIOR SHEAR WALL
SCALE: 3/4"=1'-0"
PERPENDICULAR FRAMING



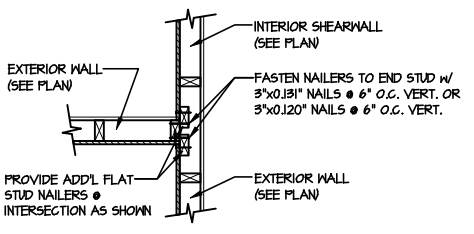
5 SHEAR TRANSFER DETAIL @
EXTERIOR SHEARWALL ABOVE
SCALE: 3/8"=1'-0"



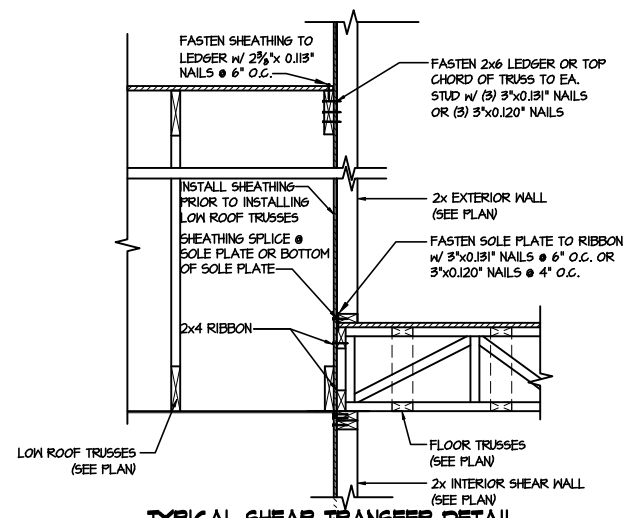
6 SHEAR TRANSFER DETAIL @
EXTERIOR SHEARWALL ABOVE
SCALE: 3/8"=1'-0"



7 SHEAR TRANSFER DETAIL @
EXTERIOR SHEARWALL ABOVE
SCALE: 3/8"=1'-0"



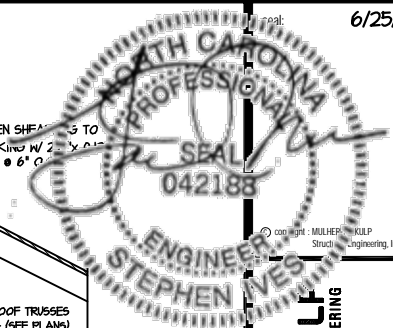
8 SHEAR TRANSFER DETAIL @
INTERSECTING INT. SHEARWALL
SCALE: 3/4"=1'-0"
SHTS. ON SAME FACE



9 TYPICAL SHEAR TRANSFER DETAIL
BETWEEN FLOORS @ INTERIOR WALL
SCALE: 3/4"=1'-0"

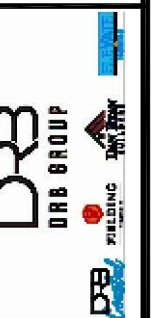
LETTERED DETAILS ARE TYPICAL FOR THIS HOME & SHALL BE IMPLEMENTED IN ALL APPLICABLE AREAS. THESE DETAILS ARE NOT "CUT" ON THE PLANS.

NUMBERED DETAILS ARE PLAN SPECIFIC AND ARE ONLY REQUIRED WHERE SPECIFICALLY INDICATED ("CUT") ON THE PLANS.



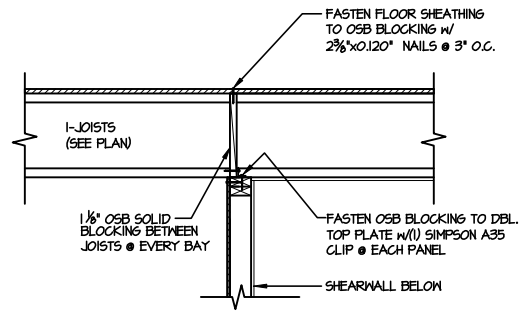
MULHERN+KULF
RESIDENTIAL STRUCTURAL ENGINEERING
300 Brookside Ave. Building 4 • Arden, PA 18002
P 215-646-8001 • mulhern+kulf.com
NC LIC. #C-3825

M&K project number:
126-21011
project mgr: JTR
drawn by: MDH
issue date: 06-25-21
REVISIONS:
date: initial

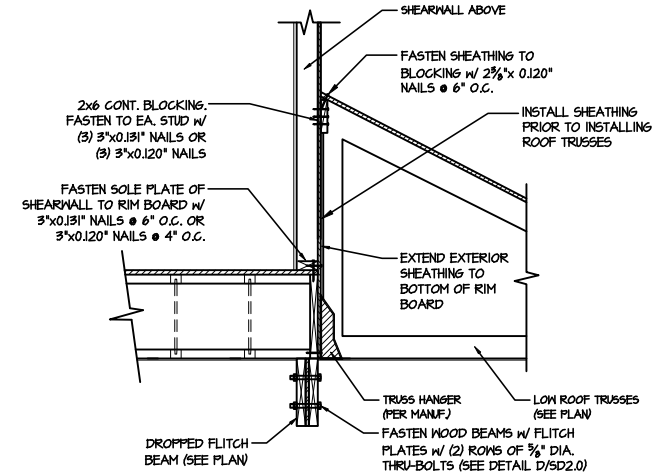


Framing Details
CAMERON MODEL
RALEIGH, NC

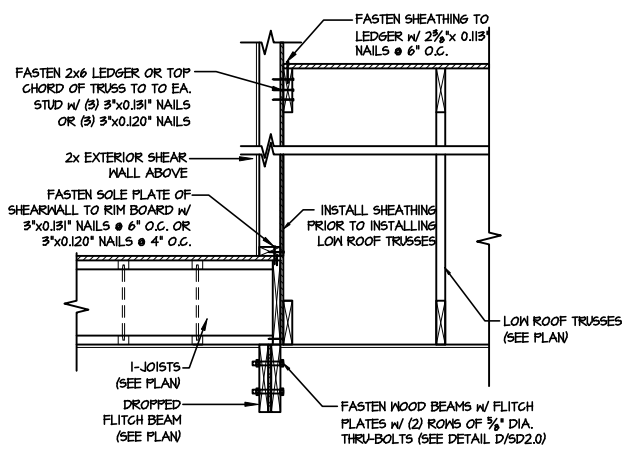
sheet:
SD2.1BJ



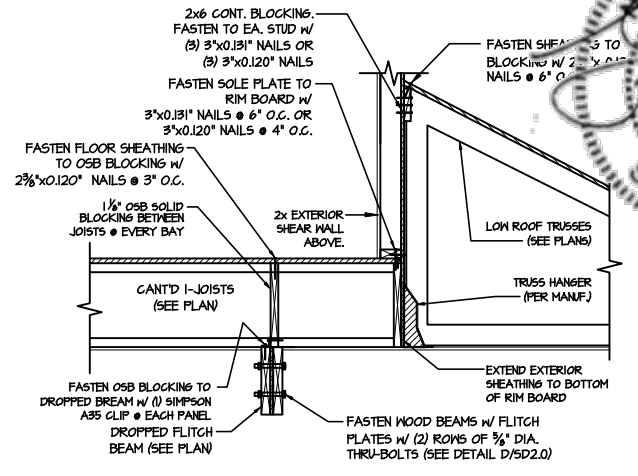
1 SHEAR TRANSFER DETAIL @ INTERIOR SHEARWALL BELOW
SCALE: 3/4"=1'-0"
PERPENDICULAR FRAMING



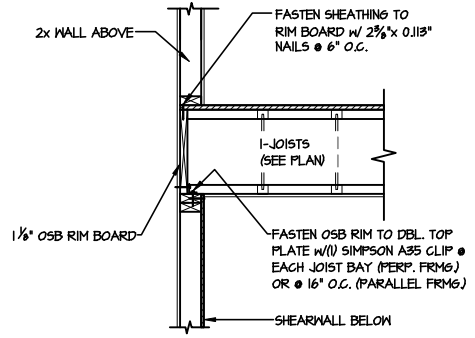
2 SHEAR TRANSFER DETAIL @ EXTERIOR SHEARWALL ABOVE
SCALE: 3/8"=1'-0"



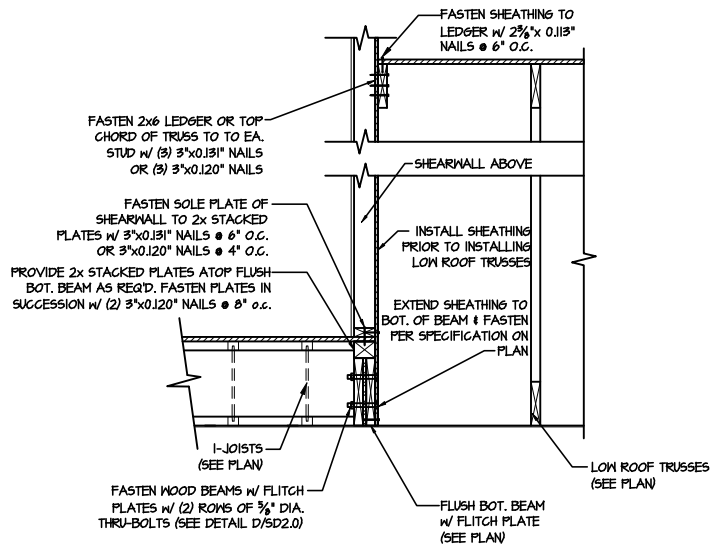
2A SHEAR TRANSFER DETAIL @ EXTERIOR SHEARWALL ABOVE
SCALE: 3/8"=1'-0"



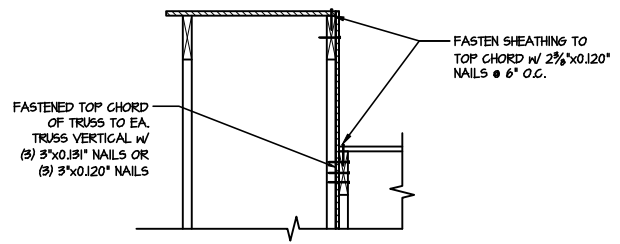
3 TYPICAL SHEAR TRANSFER DETAIL @ EXTERIOR WALL ABOVE OVER GARAGE
SCALE: 3/8"=1'-0"



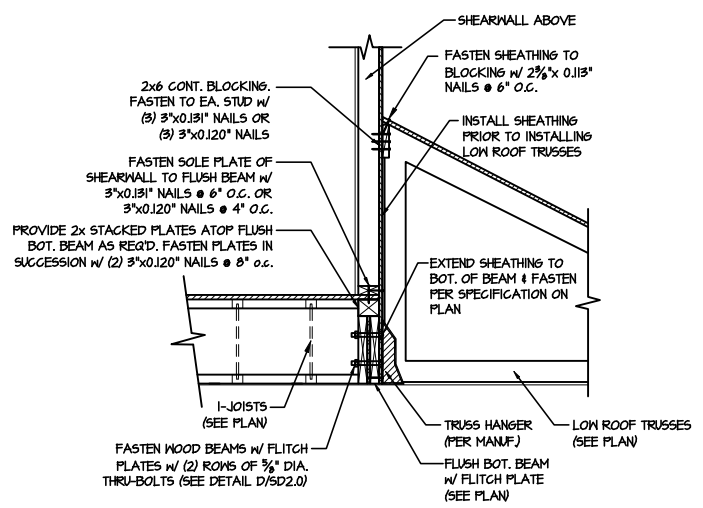
4 SHEAR TRANSFER DETAIL @ INT. SHEARWALL BELOW
SCALE: 3/4"=1'-0"
EDGE OF FRAMING



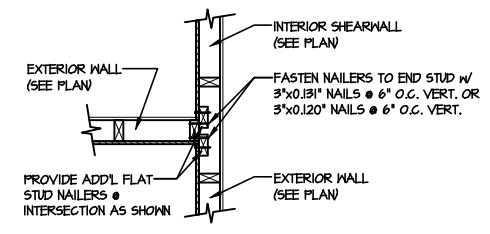
5 SHEAR TRANSFER DETAIL @ EXTERIOR SHEARWALL ABOVE
SCALE: 3/8"=1'-0"



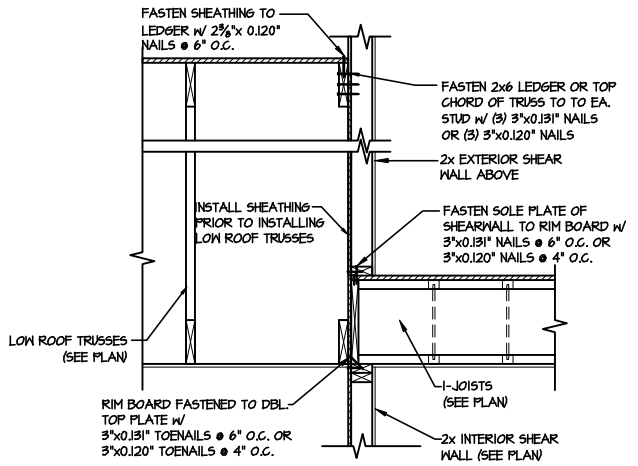
6 SHEAR TRANSFER DETAIL @ EXTERIOR SHEARWALL ABOVE
SCALE: 3/8"=1'-0"



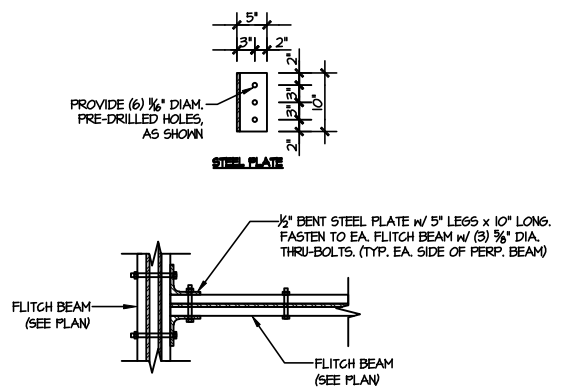
7 SHEAR TRANSFER DETAIL @ EXTERIOR SHEARWALL ABOVE
SCALE: 3/8"=1'-0"



8 SHEAR TRANSFER DETAIL @ INTERSECTING INT. SHEARWALL
SCALE: 3/4"=1'-0"
SITE ON SAME PAGE

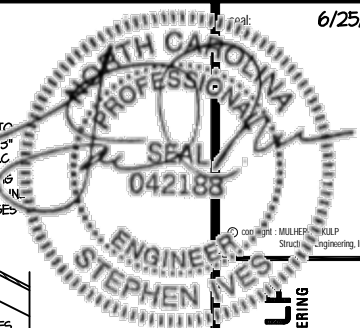


9 TYPICAL SHEAR TRANSFER DETAIL BETWEEN FLOORS @ INTERIOR WALL
SCALE: 3/4"=1'-0"

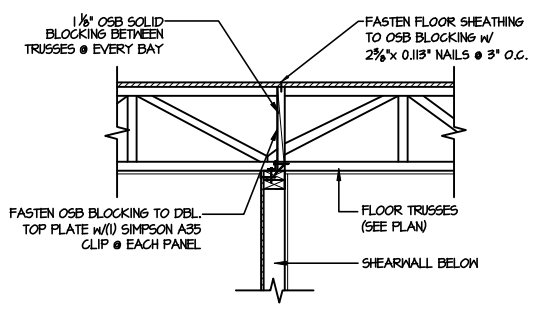


10 TYPICAL FLITCH BEAM TO FLITCH BEAM CONNECTION DETAIL
SCALE: 3/4"=1'-0"

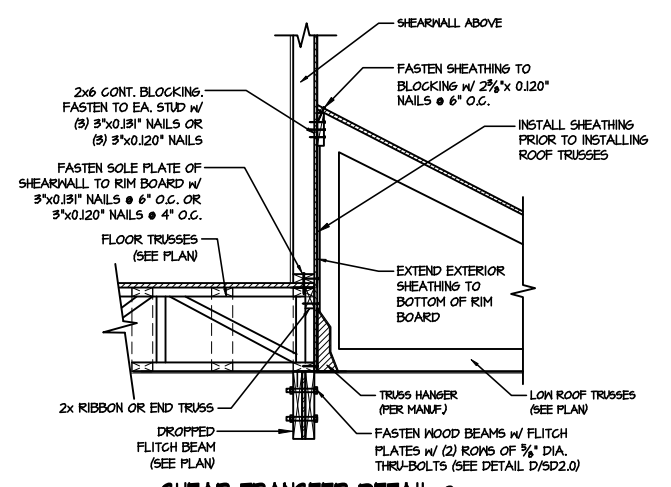
LETTERED DETAILS ARE TYPICAL FOR THIS HOME & SHALL BE IMPLEMENTED IN ALL APPLICABLE AREAS. THESE DETAILS ARE NOT "CUT" ON THE PLANS.
NUMBERED DETAILS ARE PLAN SPECIFIC AND ARE ONLY REQUIRED WHERE SPECIFICALLY INDICATED ("CUT" ON THE PLANS.)



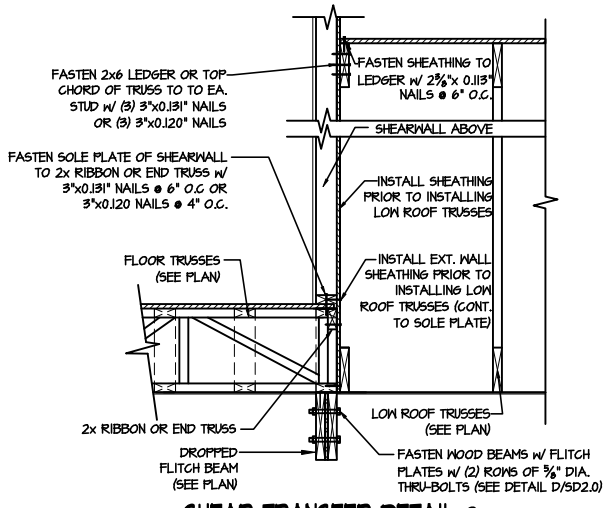
MULHERN+KULP
RESIDENTIAL STRUCTURAL ENGINEERING
300 Brookside Ave. Building 4 • Amber, PA 18002
P 215-946-8001 • mulhern+kulp.com
NC LIC. #C-3825



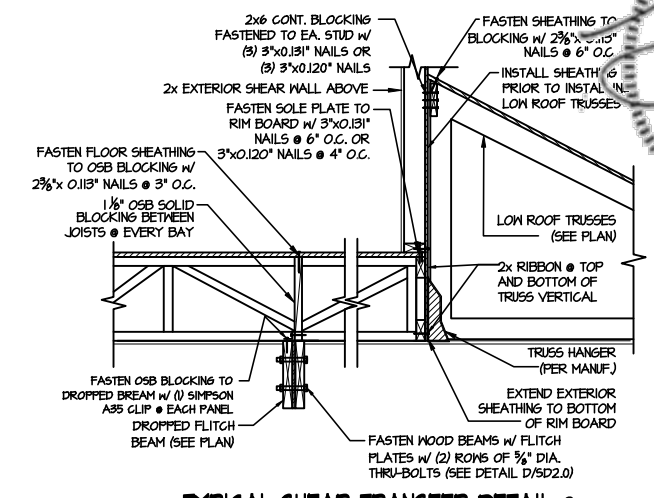
1 SHEAR TRANSFER DETAIL @ INTERIOR SHEARWALL BELOW
SCALE: 3/4\"/>



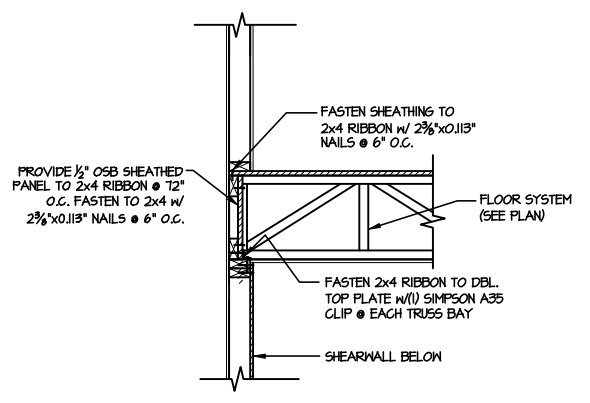
2 SHEAR TRANSFER DETAIL @ EXTERIOR SHEARWALL ABOVE
SCALE: 3/8\"/>



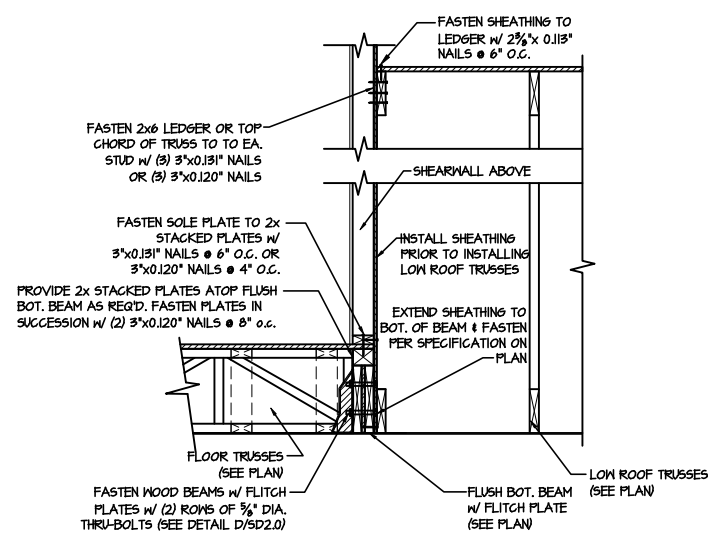
2A SHEAR TRANSFER DETAIL @ EXTERIOR SHEARWALL ABOVE
SCALE: 3/8\"/>



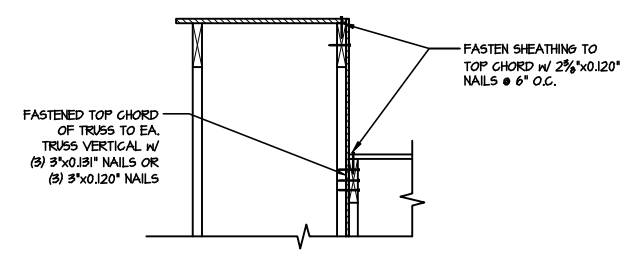
3 TYPICAL SHEAR TRANSFER DETAIL @ EXTERIOR WALL ABOVE OVER GARAGE
SCALE: 3/8\"/>



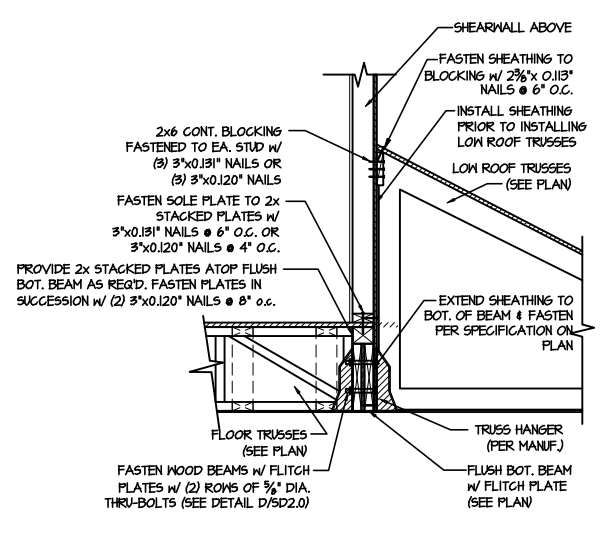
4 SHEAR TRANSFER DETAIL @ INTERIOR SHEAR WALL
SCALE: 3/4\"/>



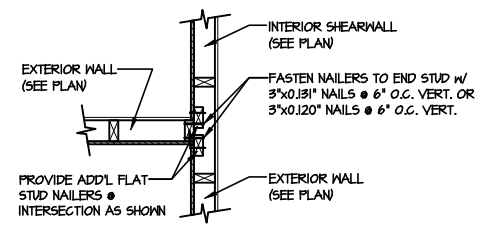
5 SHEAR TRANSFER DETAIL @ EXTERIOR SHEARWALL ABOVE
SCALE: 3/8\"/>



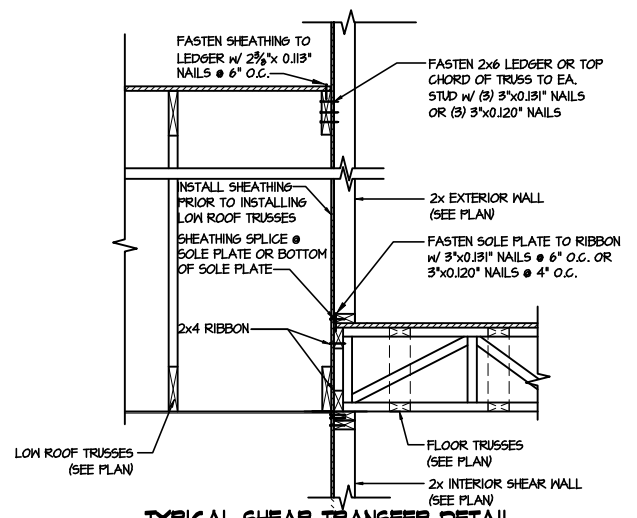
6 SHEAR TRANSFER DETAIL @ EXTERIOR SHEARWALL ABOVE
SCALE: 3/8\"/>



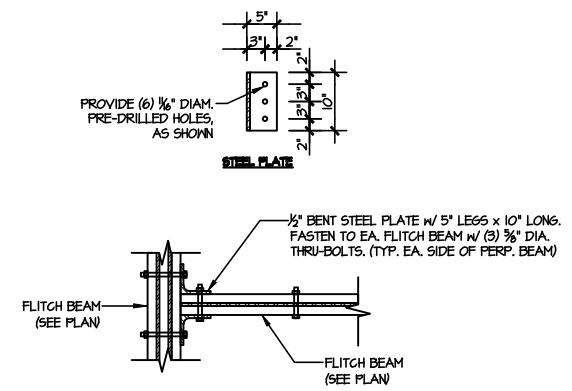
7 SHEAR TRANSFER DETAIL @ EXTERIOR SHEARWALL ABOVE
SCALE: 3/8\"/>



8 SHEAR TRANSFER DETAIL @ INTERSECTING INT. SHEARWALL
SCALE: 3/4\"/>



9 TYPICAL SHEAR TRANSFER DETAIL BETWEEN FLOORS @ INTERIOR WALL
SCALE: 3/4\"/>



10 TYPICAL FLITCH BEAM TO FLITCH BEAM CONNECTION DETAIL
SCALE: 3/4\"/>

LETTERED DETAILS ARE TYPICAL FOR THIS HOME & SHALL BE IMPLEMENTED IN ALL APPLICABLE AREAS. THESE DETAILS ARE NOT "CUT" ON THE PLANS.

NUMBERED DETAILS ARE PLAN SPECIFIC AND ARE ONLY REQUIRED WHERE SPECIFICALLY INDICATED ("CUT") ON THE PLANS.

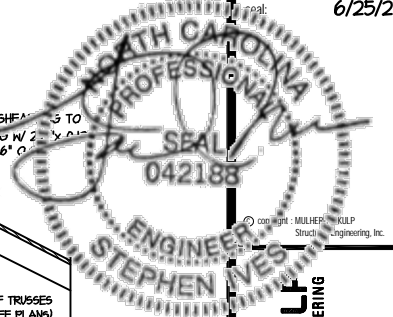
M&K project number: 126-21011
project mgr: JTR
drawn by: MDH
issue date: 06-25-21

REVISIONS:
date: initial



Framing Details
CAMERON MODEL
RALEIGH, NC

sheet: SD2.1BT



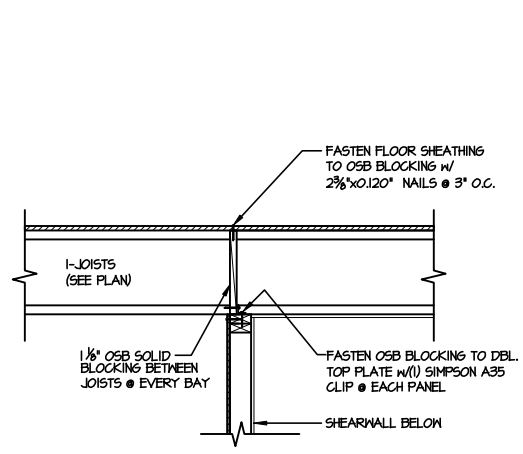
MULHERN+KULP
RESIDENTIAL STRUCTURAL ENGINEERING
300 Brookside Ave., Building 4 • Amber, PA 19002
P 215-946-8001 • mulhern+kulp.com
NC LIC. #C-3825

M&K project number:
126-21011
project mgr: JTR
drawn by: MDH
issue date: 06-25-21

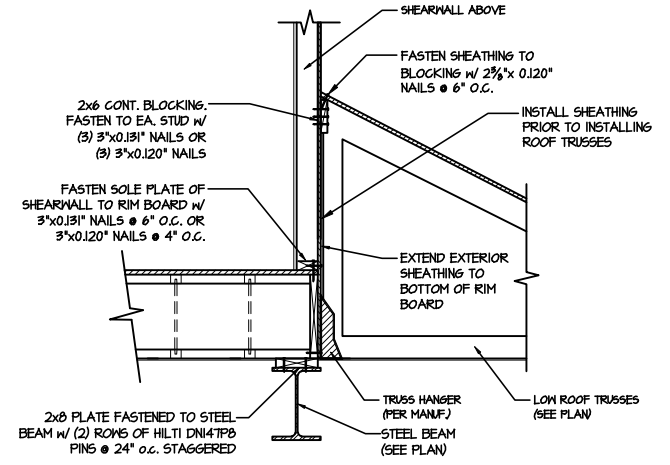
REVISIONS:
date: initial

DRB
DRB GROUP
DRB
DRB
DRB
DRB

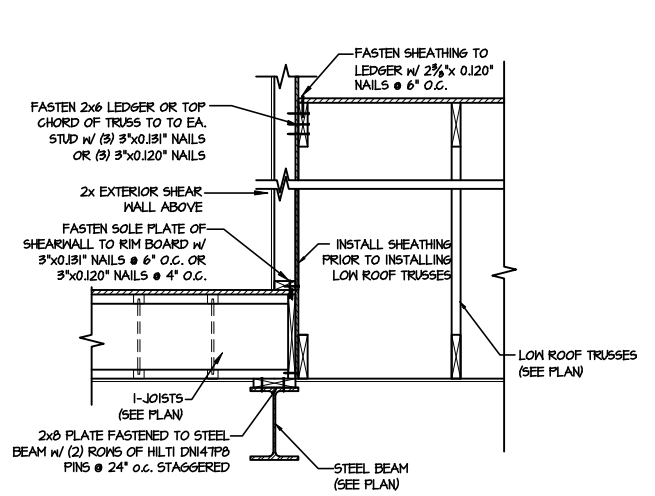
sheet:
SD2.1CJ



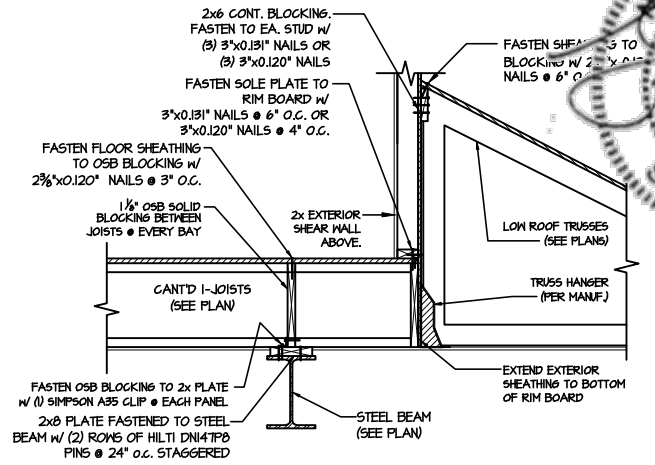
1 SHEAR TRANSFER DETAIL @ INTERIOR SHEARWALL BELOW
SCALE: 3/4"=1'-0"
PERPENDICULAR FRAMING



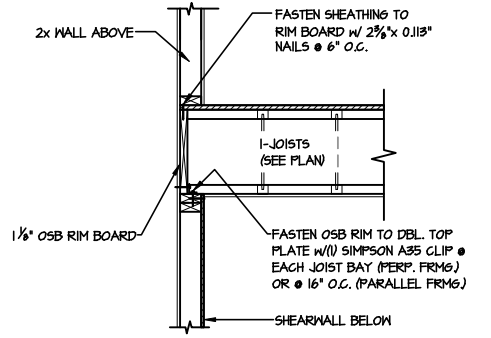
2 SHEAR TRANSFER DETAIL @ EXTERIOR SHEARWALL ABOVE
SCALE: 3/8"=1'-0"



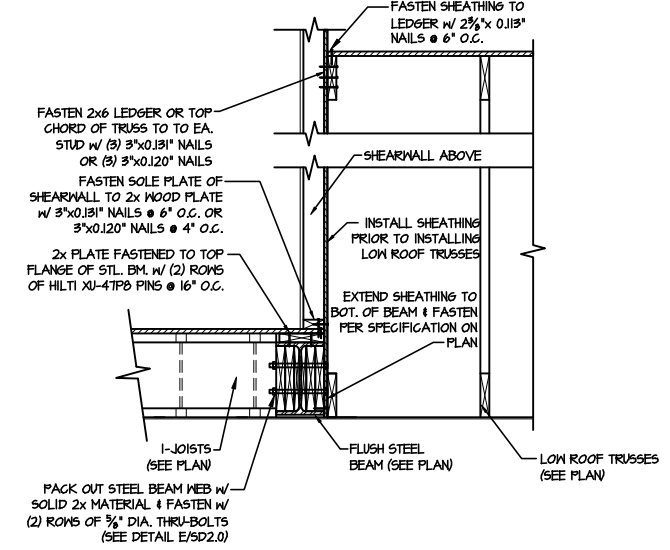
2A SHEAR TRANSFER DETAIL @ EXTERIOR SHEARWALL ABOVE
SCALE: 3/8"=1'-0"



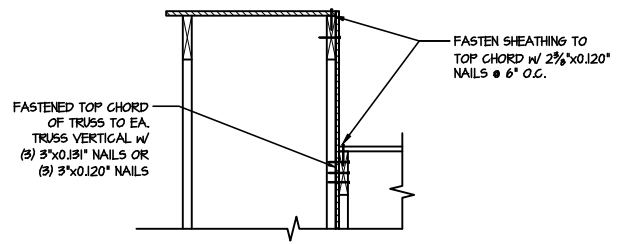
3 TYPICAL SHEAR TRANSFER DETAIL @ EXTERIOR WALL ABOVE OVER GARAGE
SCALE: 3/8"=1'-0"



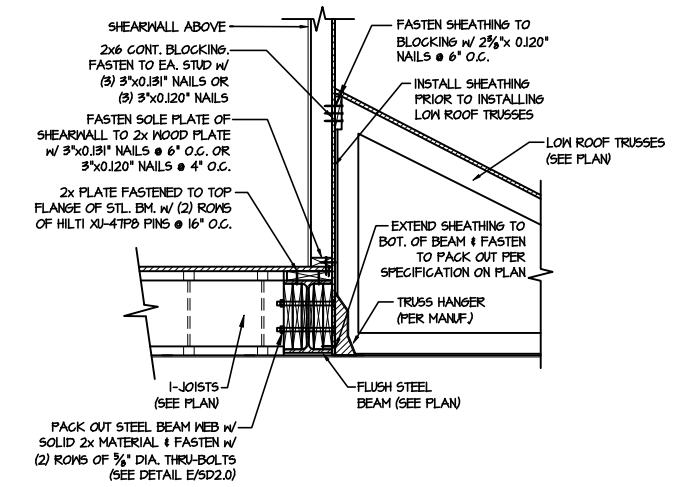
4 SHEAR TRANSFER DETAIL @ INT. SHEARWALL BELOW
SCALE: 3/4"=1'-0"
EDGE OF FRAMING



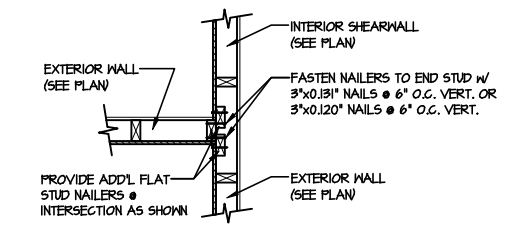
5 SHEAR TRANSFER DETAIL @ EXTERIOR SHEARWALL ABOVE
SCALE: 3/8"=1'-0"



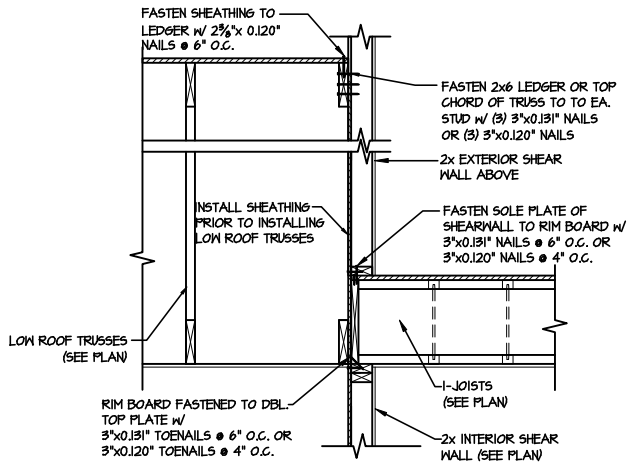
6 SHEAR TRANSFER DETAIL @ EXTERIOR SHEARWALL ABOVE
SCALE: 3/8"=1'-0"



7 SHEAR TRANSFER DETAIL @ EXTERIOR SHEARWALL ABOVE
SCALE: 3/8"=1'-0"



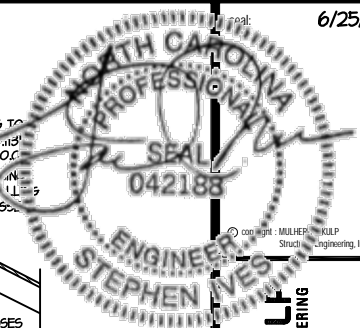
8 SHEAR TRANSFER DETAIL @ INTERSECTING INT. SHEARWALL
SCALE: 3/4"=1'-0"
SHR. ON SAME PAGE



9 TYPICAL SHEAR TRANSFER DETAIL BETWEEN FLOORS @ INTERIOR WALL
SCALE: 3/4"=1'-0"

LETTERED DETAILS ARE TYPICAL FOR THIS HOME & SHALL BE IMPLEMENTED IN ALL APPLICABLE AREAS. THESE DETAILS ARE NOT "CUT" ON THE PLANS.

NUMBERED DETAILS ARE PLAN SPECIFIC AND ARE ONLY REQUIRED WHERE SPECIFICALLY INDICATED ("CUT") ON THE PLANS.



MULHERN+KULP
RESIDENTIAL STRUCTURAL ENGINEERING
300 Brookside Ave. Building 4 • Arden, PA 19002
P 215-646-8001 • mulhern+kulp.com
NC LIC. #C-3825



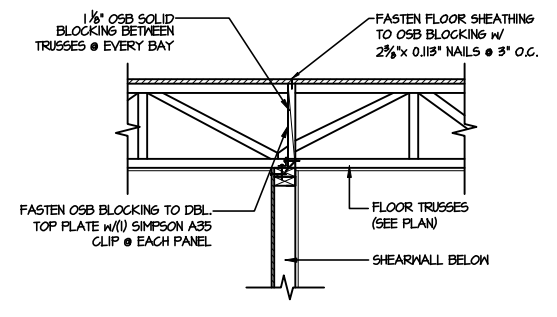
M&K project number:
126-21011
project mgr: JTR
drawn by: MDH
issue date: 06-25-21

REVISIONS:
date: initial:

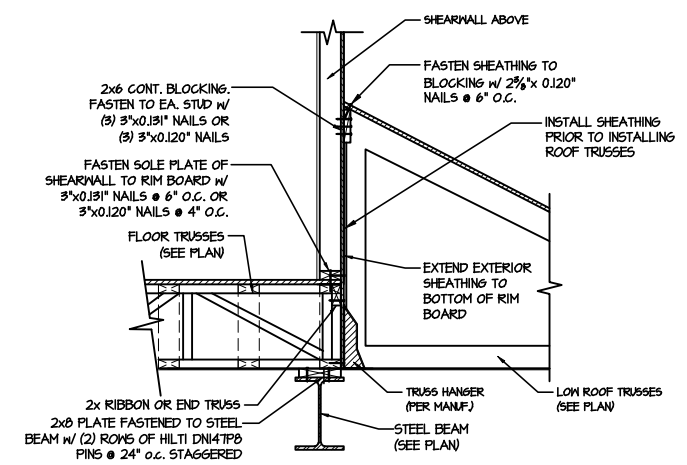


Framing Details
CAMERON MODEL
RALEIGH, NC

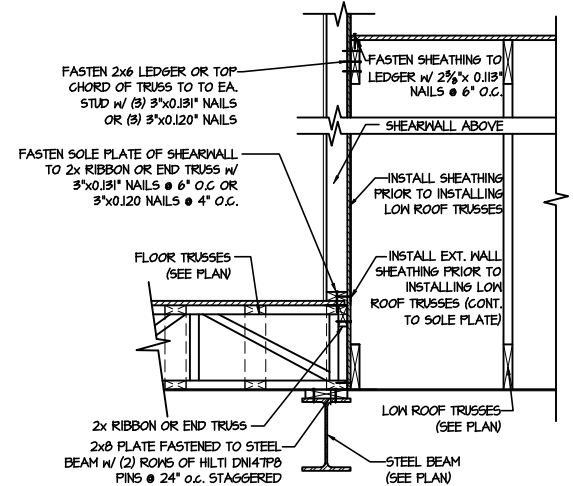
sheet:
SD2.1CT



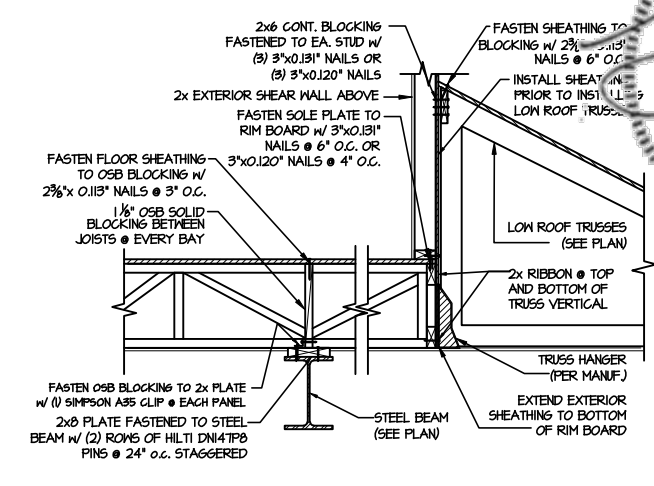
1 SHEAR TRANSFER DETAIL @
INTERIOR SHEARWALL BELOW
SCALE: 3/4"=1'-0" PERPENDICULAR FRAMING



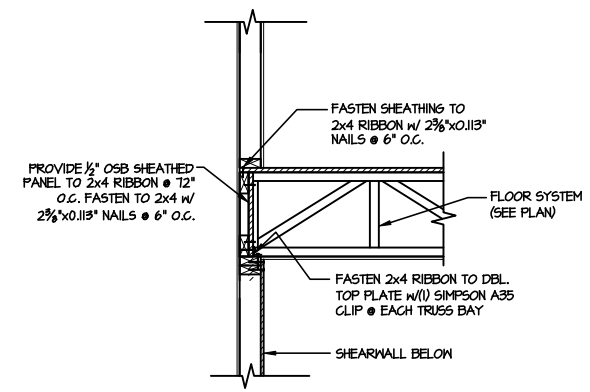
2 SHEAR TRANSFER DETAIL @
EXTERIOR SHEARWALL ABOVE
SCALE: 3/8"=1'-0"



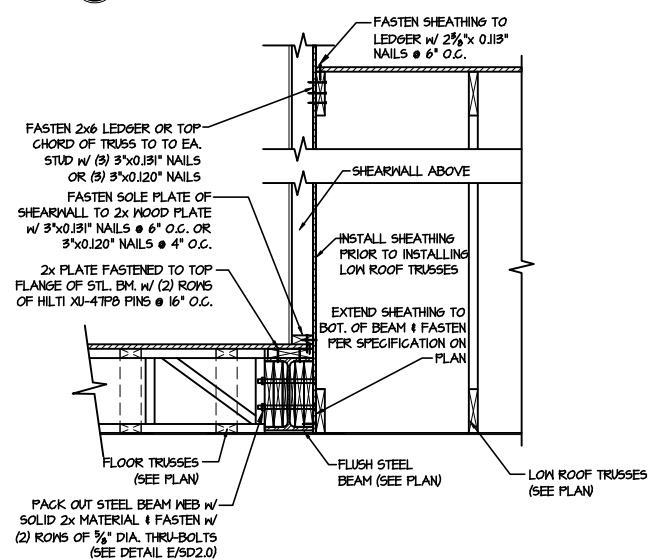
2A SHEAR TRANSFER DETAIL @
EXTERIOR SHEARWALL ABOVE
SCALE: 3/8"=1'-0"



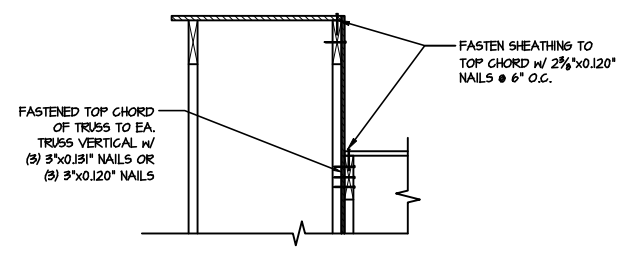
3 TYPICAL SHEAR TRANSFER DETAIL @
EXTERIOR WALL ABOVE OVER GARAGE
SCALE: 3/8"=1'-0"



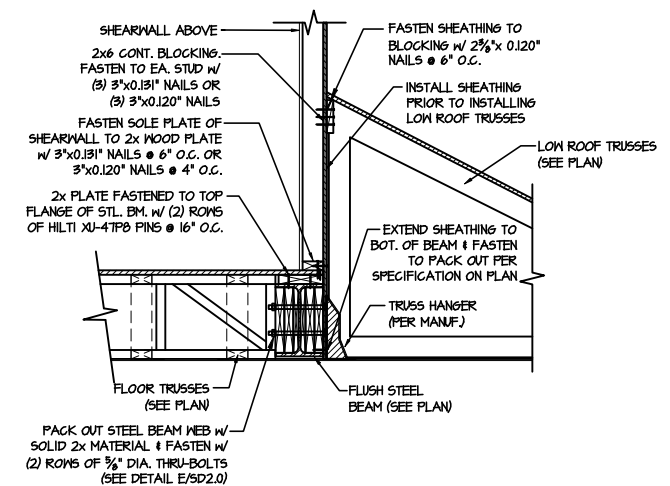
4 SHEAR TRANSFER DETAIL
@ INTERIOR SHEAR WALL
SCALE: 3/4"=1'-0" PERPENDICULAR FRAMING



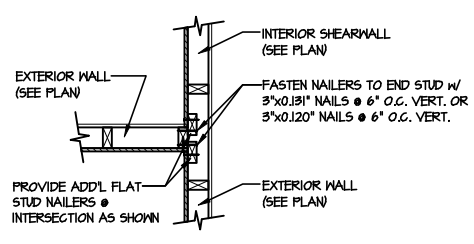
5 SHEAR TRANSFER DETAIL @
EXTERIOR SHEARWALL ABOVE
SCALE: 3/8"=1'-0"



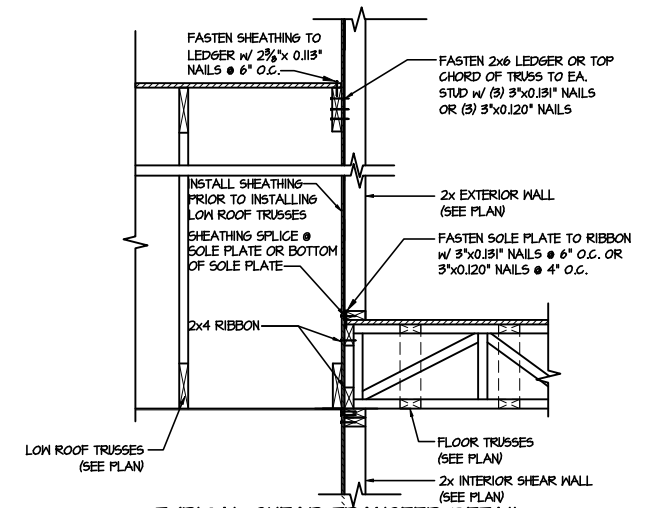
6 SHEAR TRANSFER DETAIL @
EXTERIOR SHEARWALL ABOVE
SCALE: 3/8"=1'-0"



7 SHEAR TRANSFER DETAIL @
EXTERIOR SHEARWALL ABOVE
SCALE: 3/8"=1'-0"



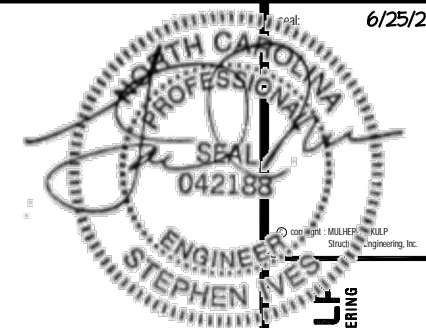
8 SHEAR TRANSFER DETAIL @
INTERSECTING INT. SHEARWALL
SCALE: 3/4"=1'-0" SHTS. ON SAME PAGE



9 TYPICAL SHEAR TRANSFER DETAIL
BETWEEN FLOORS @ INTERIOR WALL
SCALE: 3/4"=1'-0"

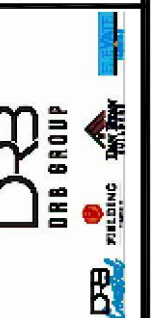
LETTERED DETAILS ARE TYPICAL FOR THIS HOME & SHALL BE IMPLEMENTED IN ALL APPLICABLE AREAS. THESE DETAILS ARE NOT "CUT" ON THE PLANS.

NUMBERED DETAILS ARE PLAN SPECIFIC AND ARE ONLY REQUIRED WHERE SPECIFICALLY INDICATED ("CUT" ON THE PLANS.



MULHERN+KULF
RESIDENTIAL STRUCTURAL ENGINEERING
300 Brookside Ave. Building 4 • Amber, PA 18002
P 215-946-8001 • mulhern+kulf.com
NC LIC. #C-3825

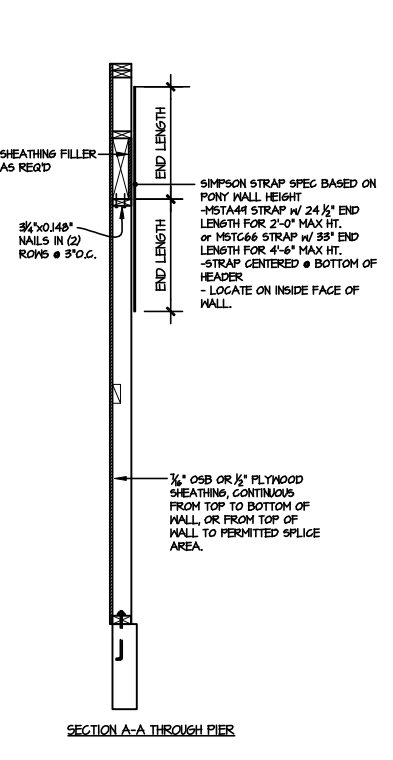
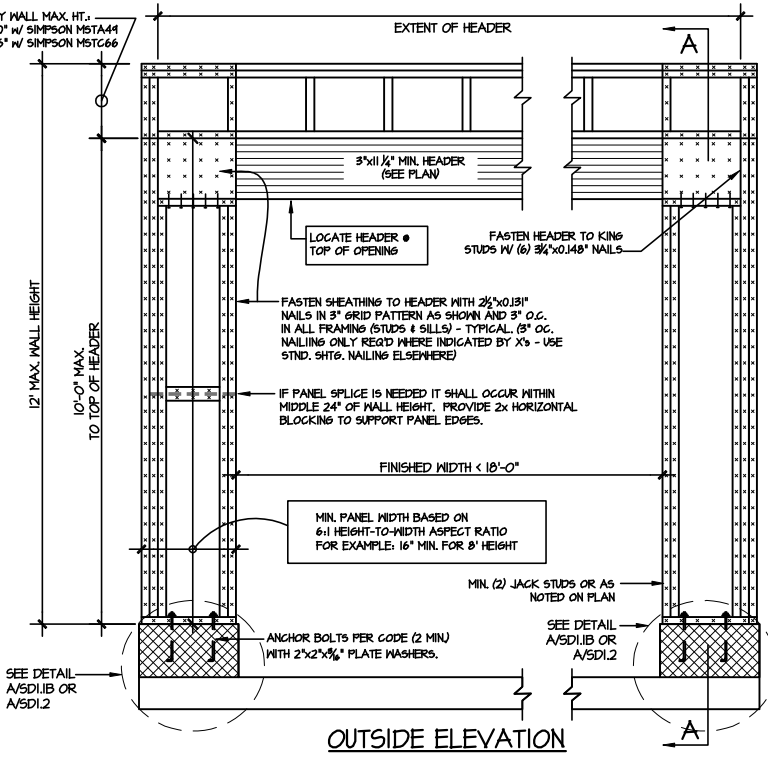
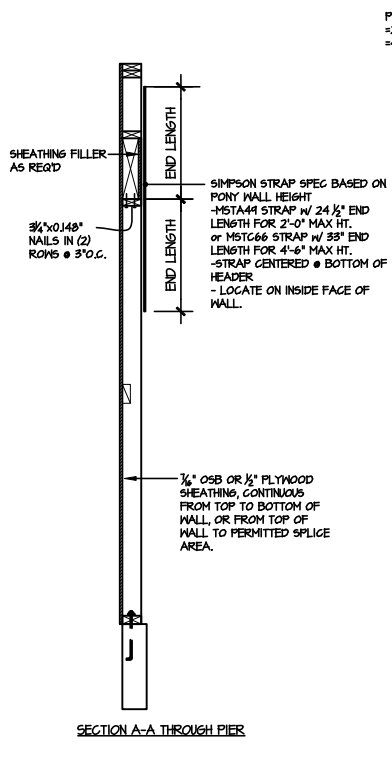
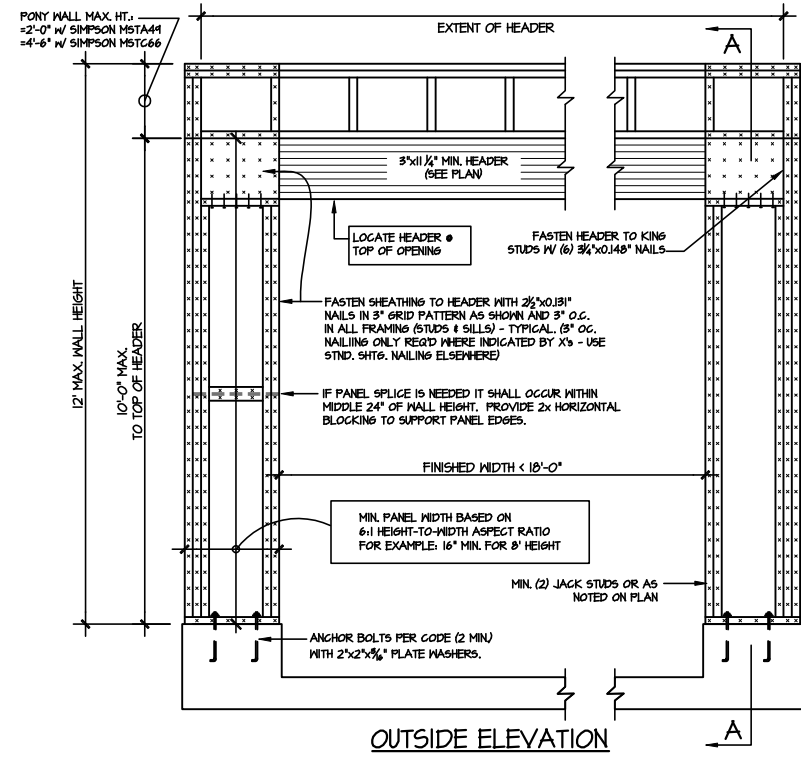
M&K project number:
126-21011
project mgr: JTR
drawn by: MDH
issue date: 06-25-21
REVISIONS:
date: initial:



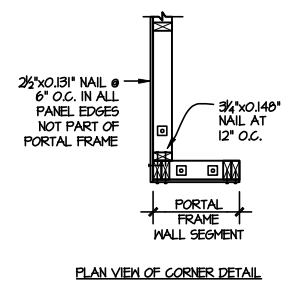
Framing Detail s
CAMERON MODEL
RALEIGH, NC

sheet:
SD2.2

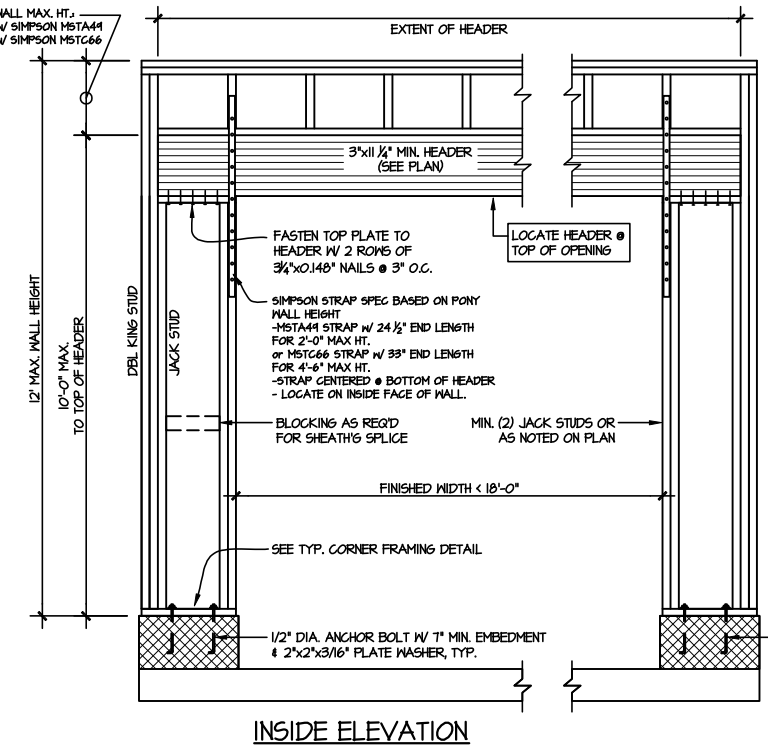
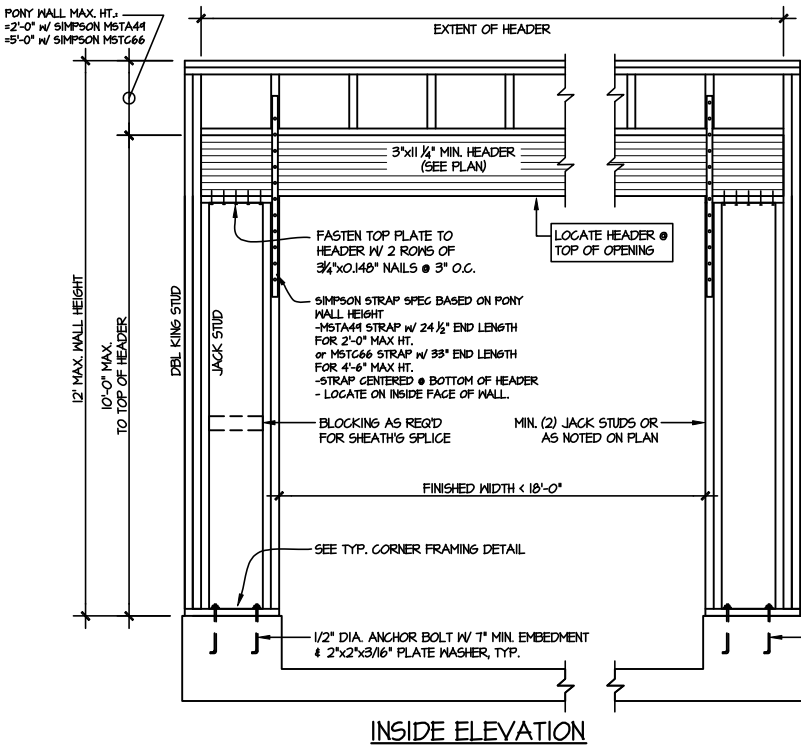
FILE: RLH - Cameron - Structurals DATE: 6/25/2021 8:25 AM



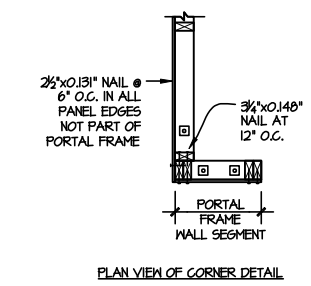
NOTE: ALL SHEATHABLE AREAS OF EXTERIOR WALL SHALL BE FULLY SHEATHED WITH 1/2" PLYWOOD OR 1/4" OSB



ALTERNATIVES TO 1/2" DIA. ANCHOR BOLT:
1) 1/2" DIA. x 6" LONG SIMPSON TITEN HD
2) 1/2" DIA. THREADED ROD EPOXY SET W/ 4 1/2" EMBED. (MIN) UTILIZING HILTI HY200 EPOXY ANCHORING SYSTEM (OR EQUAL)



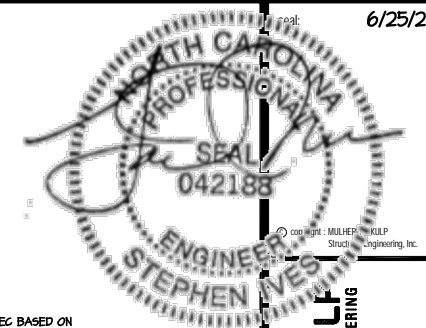
NOTE: ALL SHEATHABLE AREAS OF EXTERIOR WALL SHALL BE FULLY SHEATHED WITH 1/2" PLYWOOD OR 1/4" OSB



ALTERNATIVE TO 1/2" DIA. ANCHOR BOLT:
1) 1/2" DIA. THREADED ROD EPOXY SET W/ 4 1/2" EMBED. (MIN) UTILIZING HILTI HY200 EPOXY ANCHORING SYSTEM (OR EQUAL)

IA TWO SIDED GARAGE PORTAL FRAME BRACING ELEVATION ON CONCRETE STEM
SCALE: N.T.S.

IB TWO SIDED GARAGE PORTAL FRAME BRACING ELEVATION ON CMU STEM
SCALE: N.T.S.



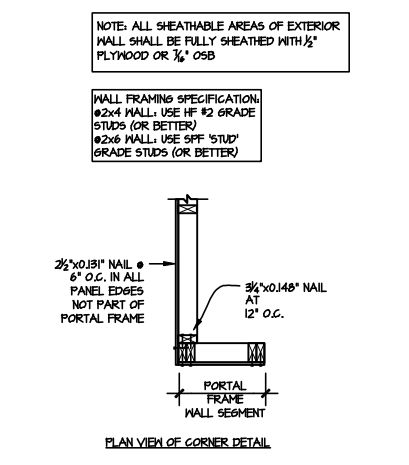
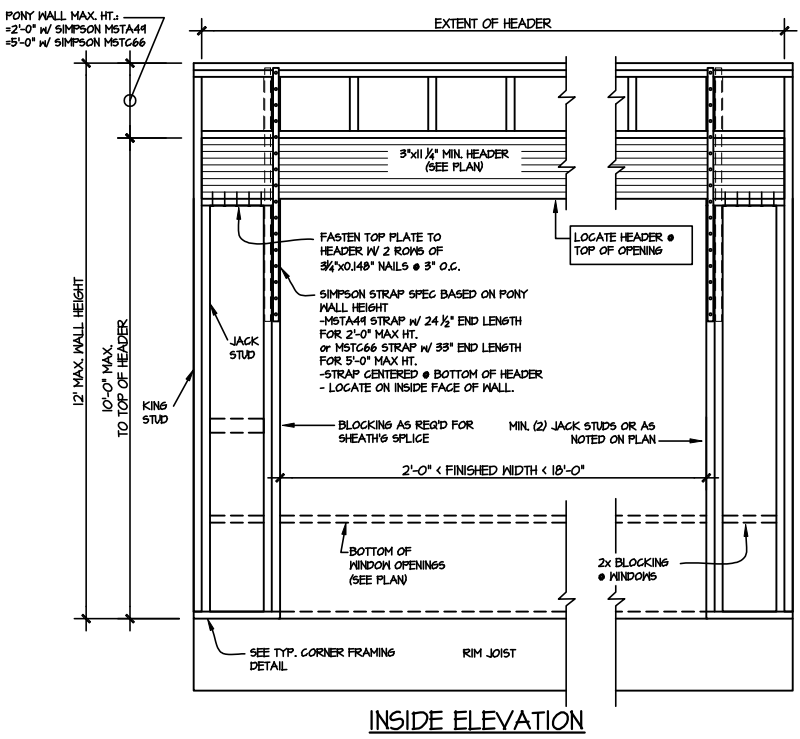
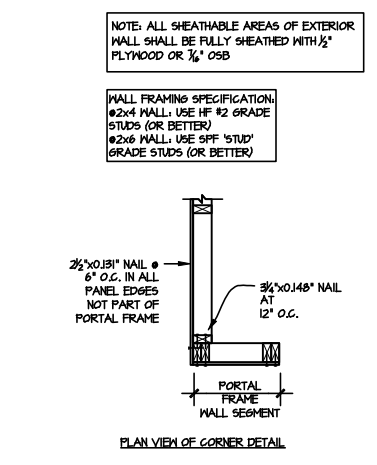
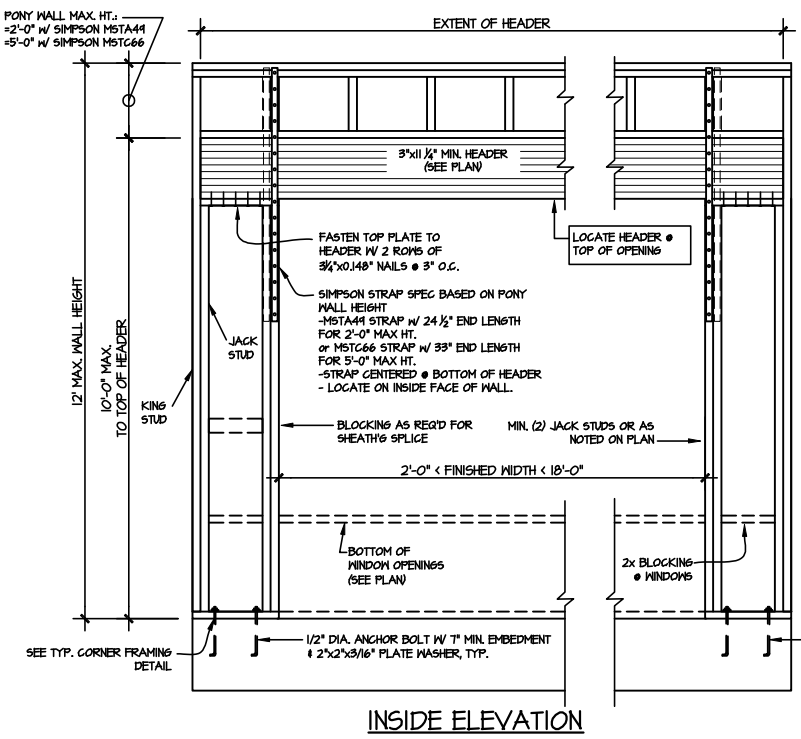
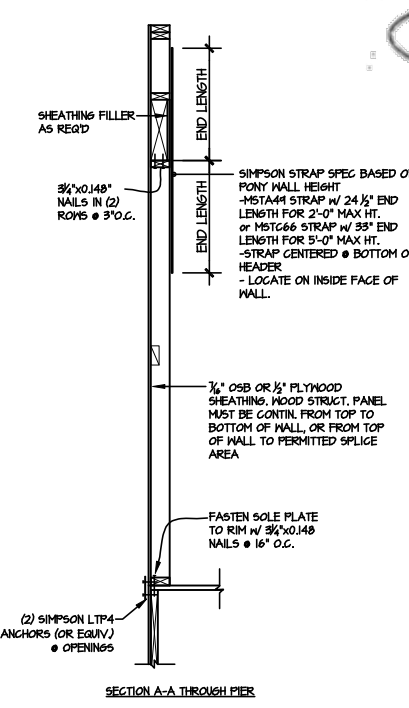
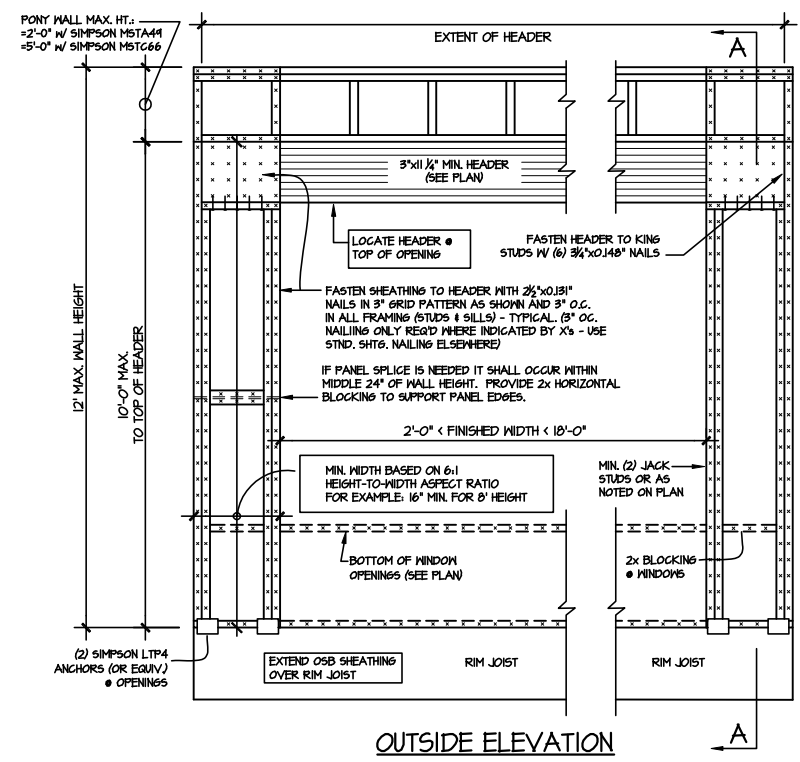
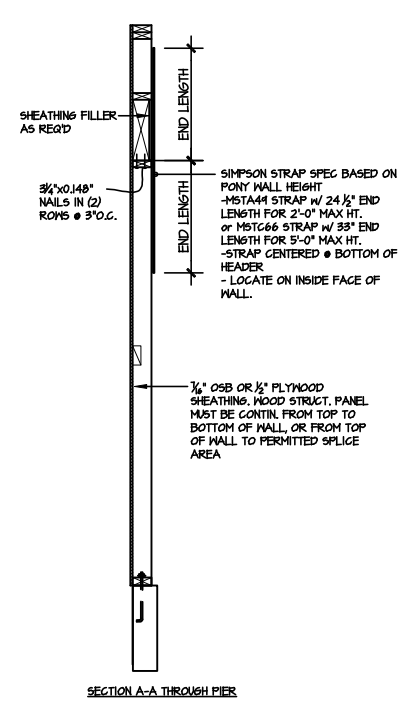
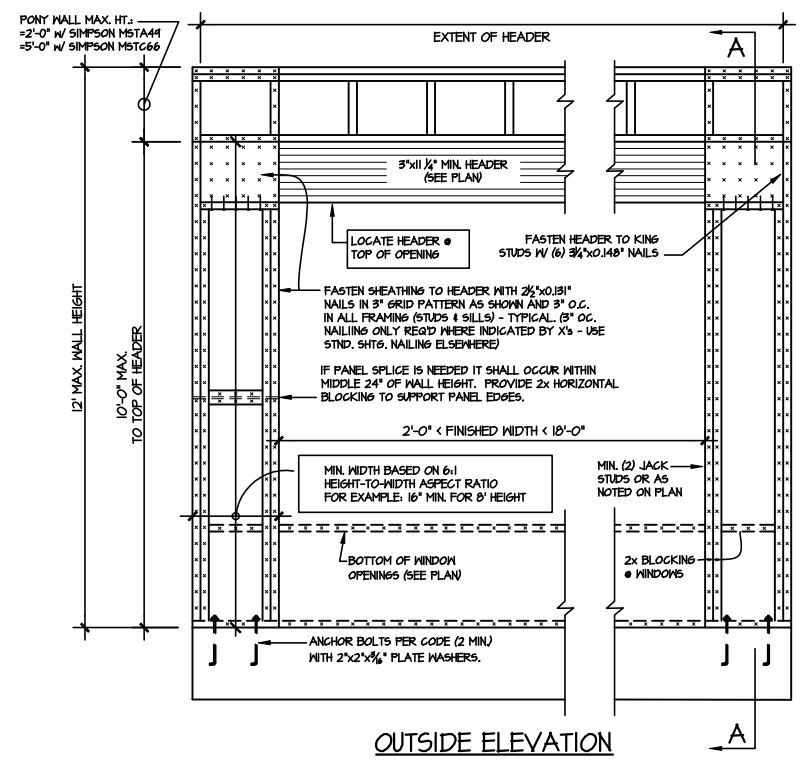
MULHERN+KULF
RESIDENTIAL STRUCTURAL ENGINEERING
300 Brookside Ave., Building 4 • Amber, PA 18002
P 215-946-8001 • mulhern+kulf.com
NC LIC. #C-3825

M&K project number:
126-21011
project mgr: JTR
drawn by: MDH
issue date: 06-25-21
REVISIONS:
date: initial



Framing Details
CAMERON MODEL
RALEIGH, NC

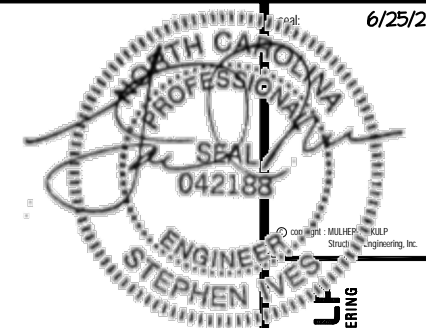
sheet:
SD2.3



ALTERNATIVES TO 1/2" DIA. ANCHOR BOLT:
1) 1/2" DIA. x 6" LONG SIMPSON TITEN HD
2) 1/2" DIA. THREADED ROD EPOXY SET W/ 1/4" 1/2" EMB. (MIN) UTILIZING HILTI HY200 EPOXY ANCHORING SYSTEM (OR EQUAL)

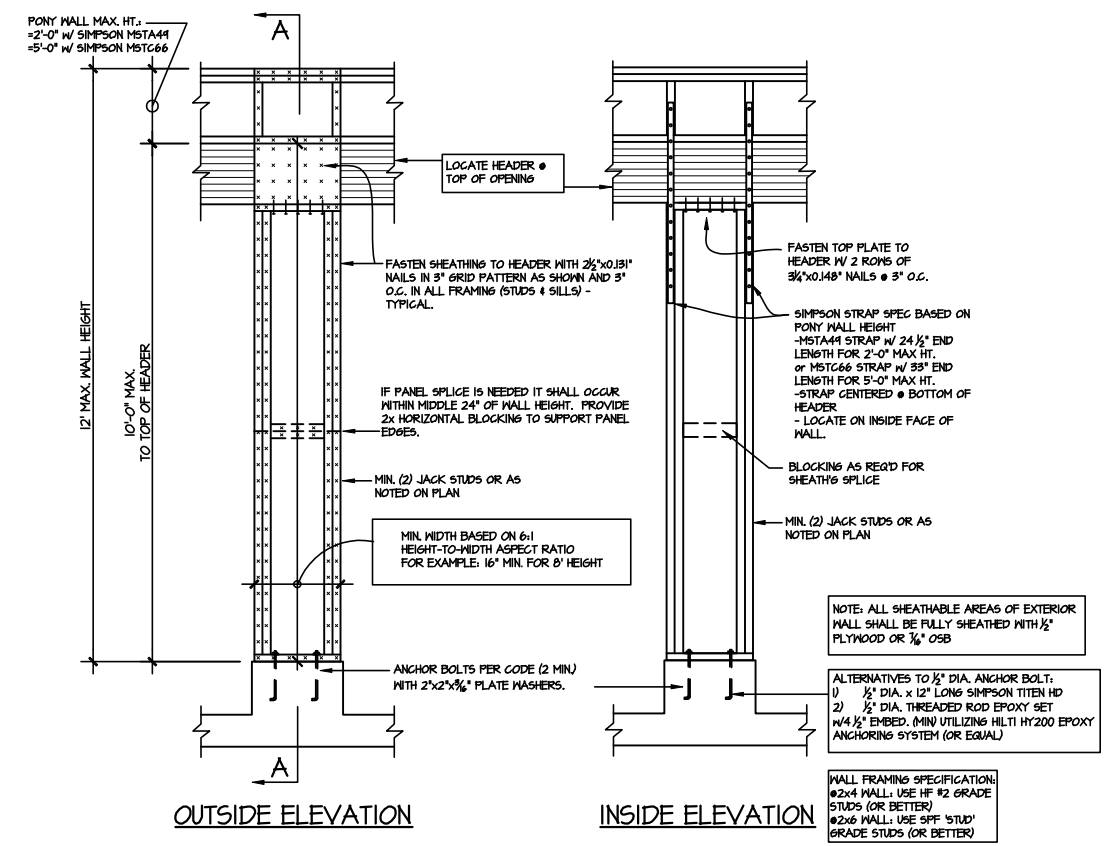
IA DOOR/WINDOW PORTAL FRAME BRACING ELEV. BOTH SIDES OF OPENING SLAB CONDITION
SCALE: N.T.S.

IB DOOR/WINDOW PORTAL FRAME BRACING ELEV. BOTH SIDES OF OPENING CRAWL SPACE CONDITION
SCALE: N.T.S.

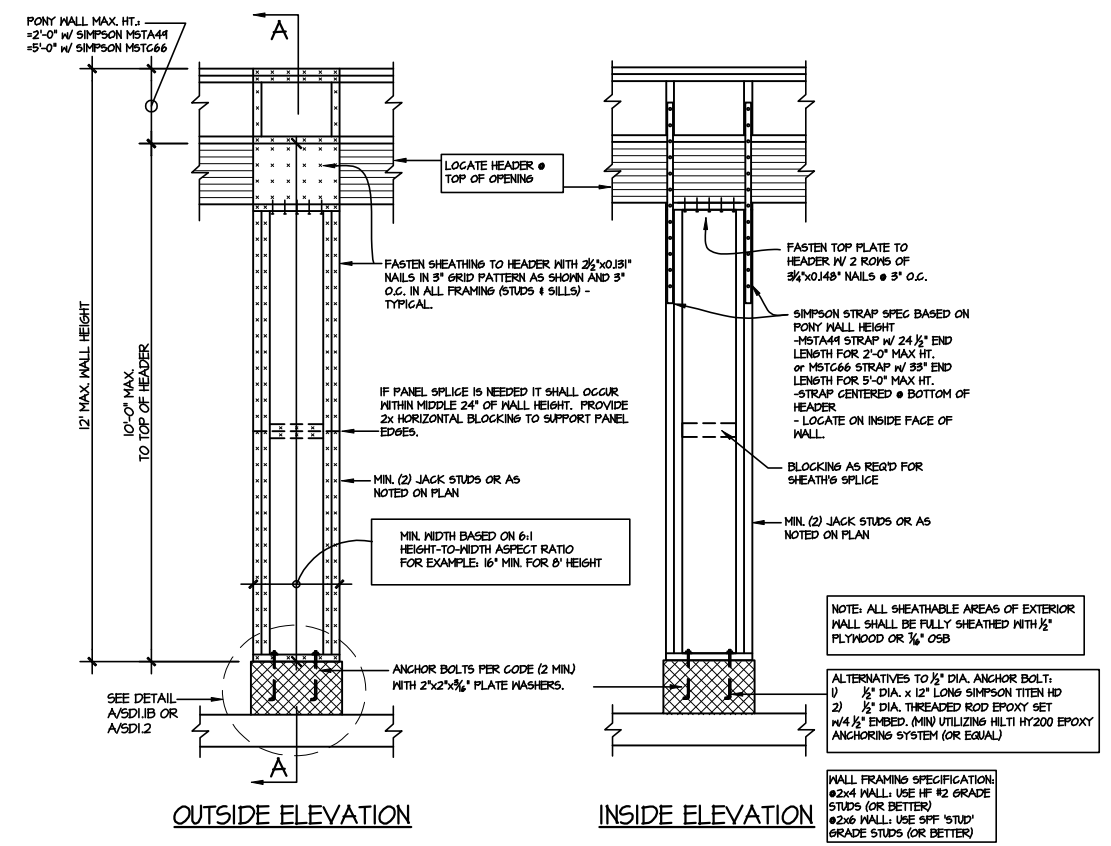


MULHERN+KULF
RESIDENTIAL STRUCTURAL ENGINEERING
300 Brookside Ave. Building 4 • Amber, PA 18002
P 215-946-8001 • mulhern+kulp.com
NC LIC. #C-3825

M&K project number:
126-21011
project mgr: JTR
drawn by: MDH
issue date: 06-25-21
REVISIONS:
date: initial:

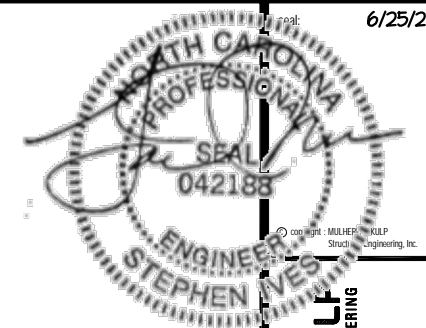


IA GARAGE PORTAL FRAME BRACING ELEVATION
SCALE: N.T.S. CENTER PIER BETWEEN 2 GARAGE DOORS
CONCRETE STEM



IB GARAGE PORTAL FRAME BRACING ELEVATION
SCALE: N.T.S. CENTER PIER BETWEEN 2 GARAGE DOORS
CMU STEM

Framing Detail s
CAMERON MODEL
RALEIGH, NC



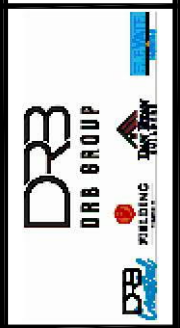
MULHERN+KULF
RESIDENTIAL STRUCTURAL ENGINEERING
300 Brookside Ave. Building 4 • Arden, PA 18002
P 215-946-8001 • mulhern+kulp.com
NC LIC. #C-3825



M&K project number:
126-21011

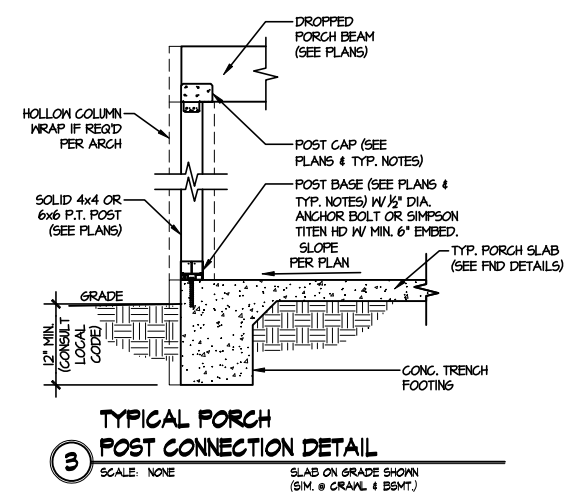
project mgr: JTR
drawn by: MDH
issue date: 06-25-21

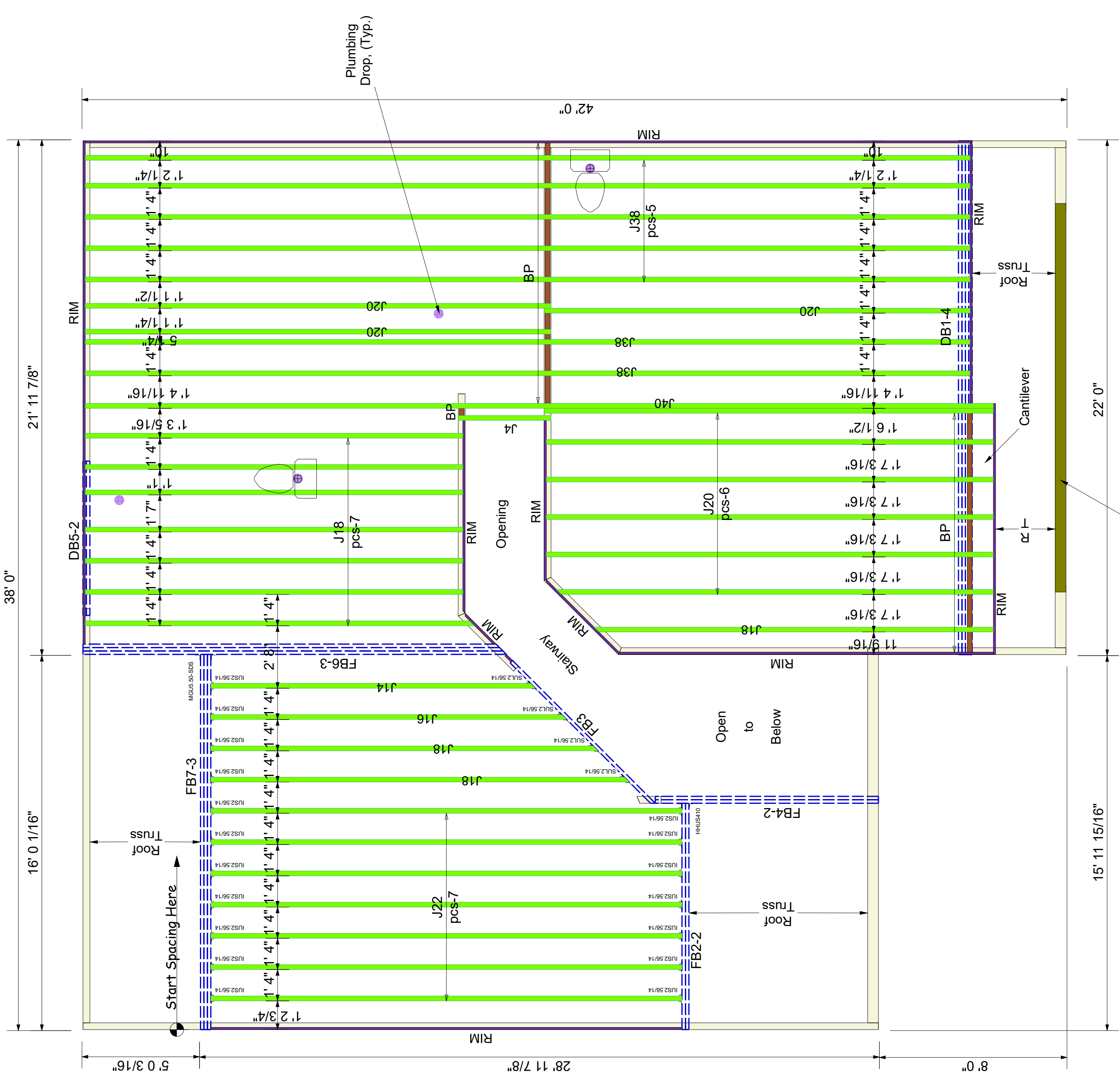
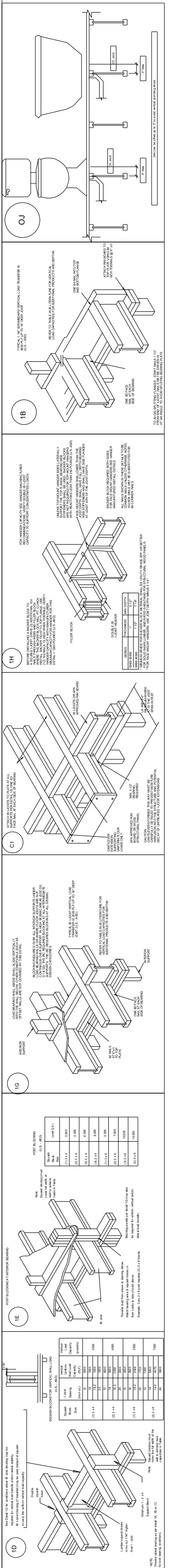
REVISIONS:
date: initial:



Framing Detail s
CAMERON MODEL
RALEIGH, NC

sheet
SD3.0





PlotID	Length	Product	Products	Piles	Net Qty	Fab Type
J40	40' 0"	14" PUJ-40		1	1	MFD
J38	38' 0"	14" PUJ-40		1	7	MFD
J22	22' 0"	14" PUJ-40		1	9	MFD
J18	18' 0"	14" PUJ-40		1	10	MFD
J16	16' 0"	14" PUJ-40		1	1	MFD
J14	14' 0"	14" PUJ-40		1	1	MFD
J4	4' 0"	14" PUJ-40		1	1	FF
DB5-2	8' 0"	2.0 RigidLam DF LVL 1-3/4 x 9-1/4		2	2	FF
FB6-3	20' 0"	2.0 RigidLam DF LVL 1-3/4 x 14		3	3	FF
FB7-3	18' 0"	2.0 RigidLam DF LVL 1-3/4 x 14		3	3	FF
FB3	10' 0"	2.0 RigidLam DF LVL 1-3/4 x 14		1	1	FF
FB2-2	10' 0"	2.0 RigidLam DF LVL 1-3/4 x 14		2	2	FF
FB4-2	10' 0"	2.0 RigidLam DF LVL 1-3/4 x 14		2	2	FF
DB1-4	22' 0"	2.0 RigidLam DF LVL 1-3/4 x 18		4	4	FF
RIM	12' 0"	1 1/8" x 14" APA Rim Board		1	12	FF
BP	2' 0"	14" PUJ-40		1	10	FF

Connector Summary	
Qty	Product
1	Simpson HHUS410
18	IUS2.56/14
4	MGU5.50-SDS
	SUL2.56/14

Dropped Beam
BY OTHERS

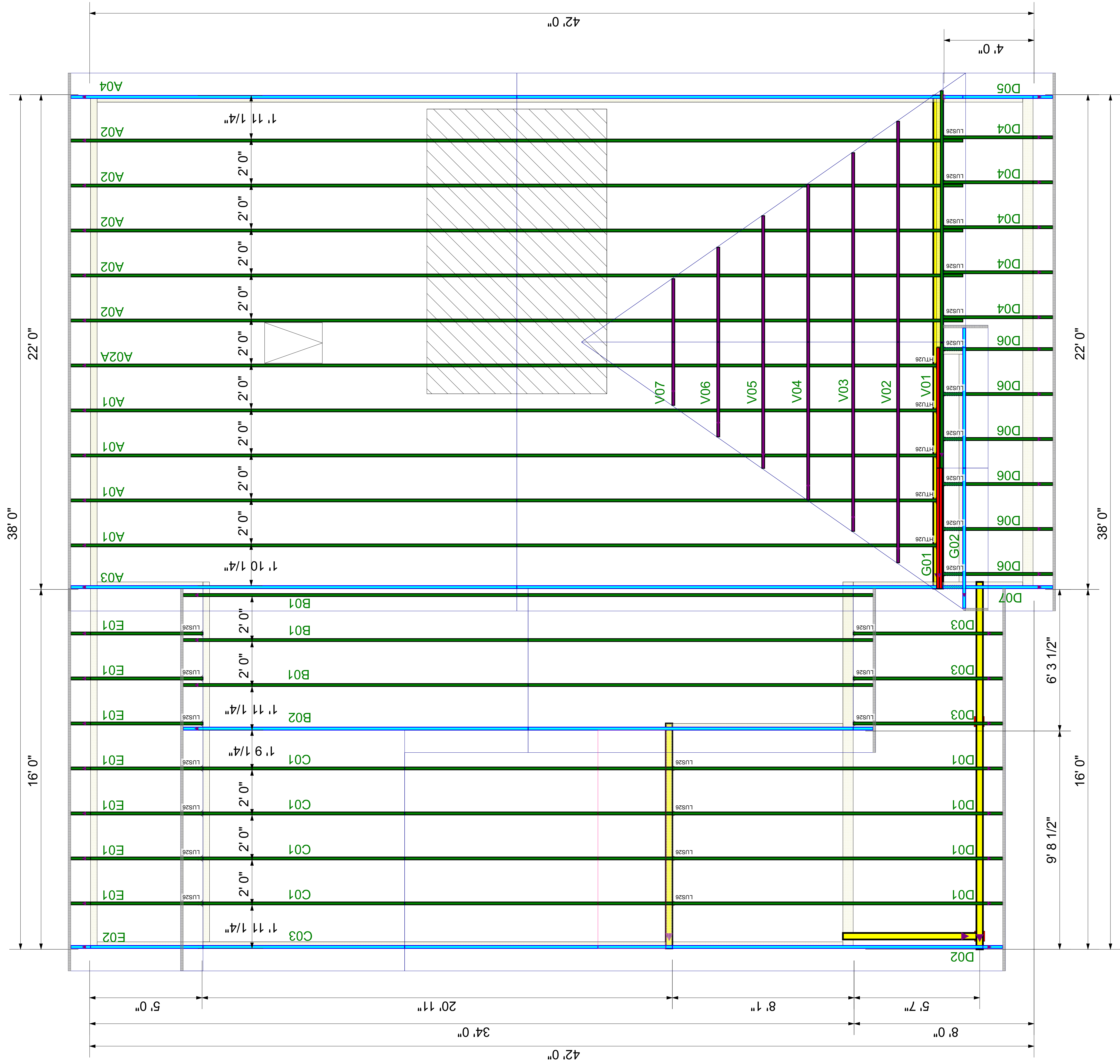
BLOCK SOLID UNDER ALL POST /POINT LOADS FROM ABOVE - TYPICAL AT ALL LOCATIONS

2nd Floor I-Joist
DRAWING SCALE : NTS

PROJECT NUMBER 22030115	REVISIONS
SHEET NUMBER	DATE
1 / 1	03.16.22
	RKW

Dan Ryan Builders
113 Farm at Neills Creek (Cameron 5-GRFE)
2nd FLOOR I-JOIST PLACEMENT PLAN





Truss Connector Total List		
Manuf	Product	Qty
Simpson	HTU26	5
Simpson	LUS26	25

ROOF LAYOUT

DRAWING SCALE : NTS

PROJECT NUMBER 22030115	REVISIONS
SHEET NUMBER 1 / 1	DATE 4-7-22
	BY ND

DRB
CAMERON 5 - 113 FARM AT NEILLS CREEK
ROOF TRUSS LAYOUT

