

ELEVATION NOTES:
 GRADE ELEVATIONS SHOWN DO NOT NECESSARILY REFER TO THIS OR ANY OTHER LOT. THEY ARE FOR DIAGRAMMATIC PURPOSES ONLY AND MAY VARY. BUILDER IS RESPONSIBLE FOR ADAPTING THIS PLAN TO SUIT THE EXISTING TOPOGRAPHY OF THE SITE.

ROOF VENTILATION TO BE DETERMINED BY BUILDER AS PER CODE.

ALL EGRESS OR RESCUE WINDOWS FROM SLEEPING ROOMS MUST HAVE A MIN. NET CLEAR OPENING OF 4.0 SQ. FT. THE MIN NET CLEAR OPENING HEIGHT DIMENSION SHALL BE 22". THE MIN NET CLEAR OPENING WIDTH SHALL BE 20".

EACH EGRESS WINDOW FROM SLEEPING ROOMS MUST HAVE A SILL HEIGHT OF NO MORE THAN 44" FROM THE FLOOR. ALL WINDOW SIZES ARE NOMINAL AND ARE TO BE VERIFIED WITH MANUFACTURER FOR AVAILABILITY AND CONFORMITY TO STATE AND LOCAL CODE REQUIREMENTS.

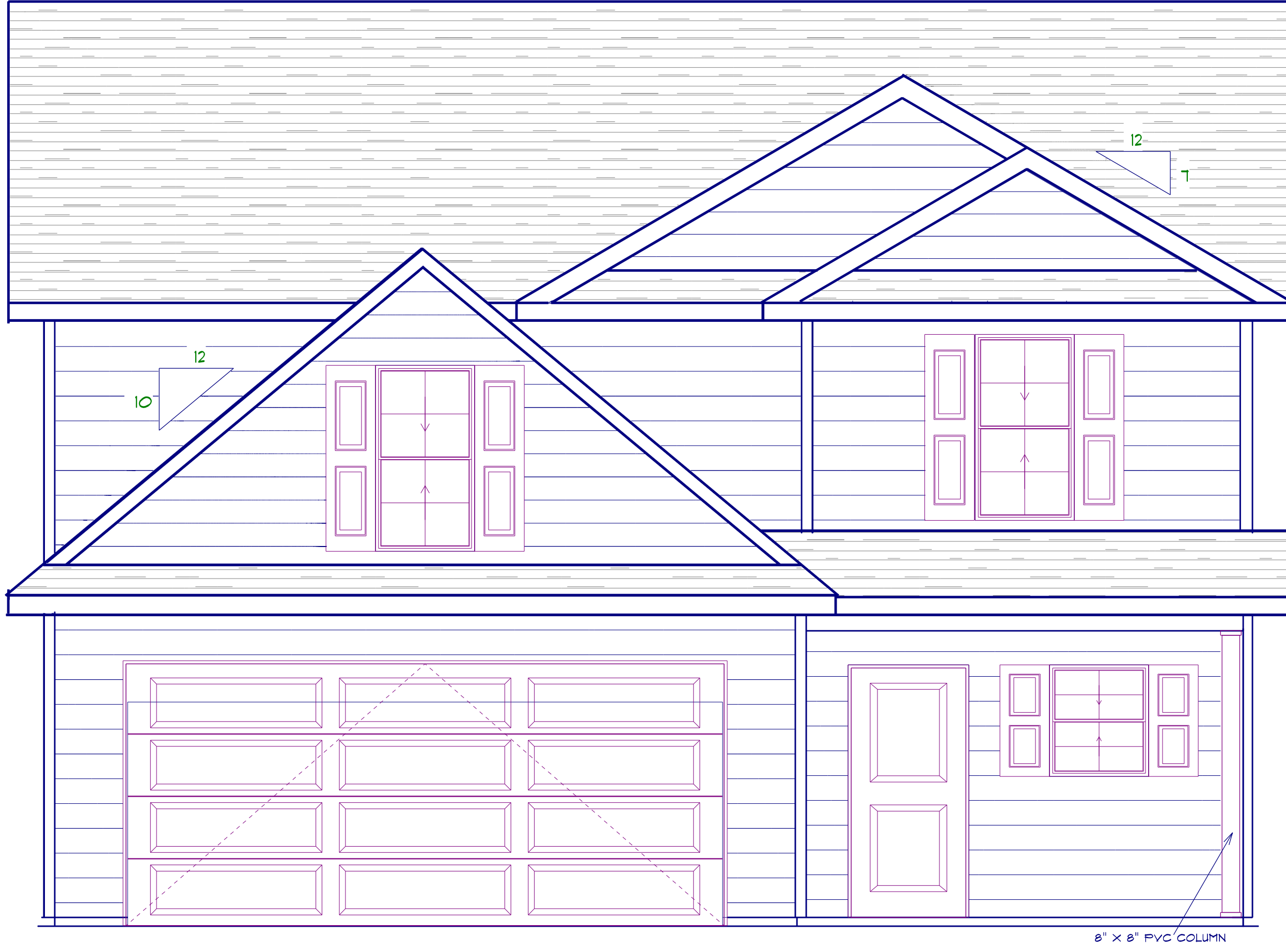
PORCHES, BALCONIES, OR RAISED FLOOR SURFACES LOCATED MORE THAN 30" ABOVE THE FLOOR OR GRADE BELOW SHALL HAVE GUARDRAILS NOT LESS THAN 36" IN HEIGHT.

I ASSUME NO RESPONSIBILITY FOR ANY DISTANCES AFTER START OF CONSTRUCTION. CONTRACTOR/BUILDER SHALL CONSULT WITH HOME OWNER ON ALL INTERIOR AND EXTERIOR MOLDINGS, TRIMS, COLORS, FINISHES, CABINET LAYOUTS, AND MANUFACTURERS BEFORE CONSTRUCTION BEGINS. ALL BEAMS AND FRAMING MEMBERS ARE SIZED BY OTHERS.

1.1 This plan has been drawn to comply with the 2018 NC Building Code

- 1.2 Minimum Design Loads for Building and Other Structures ASCE 7-98
- 2 Roof Dead Load 15 PSF
- 3 Roof Live Load 20 PSF
- 4 Typical Floor Dead Load 10 PSF
- 5 Floor Live Loads
 - 5.1 Rooms other than sleeping rooms 40 PSF
 - 5.2 Sleeping Rooms 30 PSF
 - 5.3 Stairs 40 PSF
 - 5.4 Decks 40 PSF
 - 5.5 Exterior Balconies 60 PSF
- 6 Wind Loads
 - 6.1 Ultimate Design Wind Speeds 15 MPH
 - 6.2 Wind Importance Factor, I_w 1.00
 - 6.3 Exposure B
 - 6.4 Walls (Component and Cladding) 25 PSF
 - 6.5 Roofs (Component and Cladding)
 - 6.5.1 Roof Slopes 2.25/12 to 1/12 34.8 PSF
 - 6.5.2 Roof Slopes 1/12 to 12/12 21 PSF

It is the sole responsibility of the Contractor and/or Builder to conform to all standards, provisions, requirements, methods of construction and uses of materials provided in buildings and/or structures as required by NC Uniform Building Code, Local Agencies and in accordance with good engineering practices. Verify all dimensions prior to construction.



FRONT ELEVATION

1ST. FLOOR HEATED SQ. FT. 1169
 2ND FLOOR HEATED SQ. FT. 810
 GARAGE SQ. FT. 443
 COVERED PORCH SQ. FT. 70

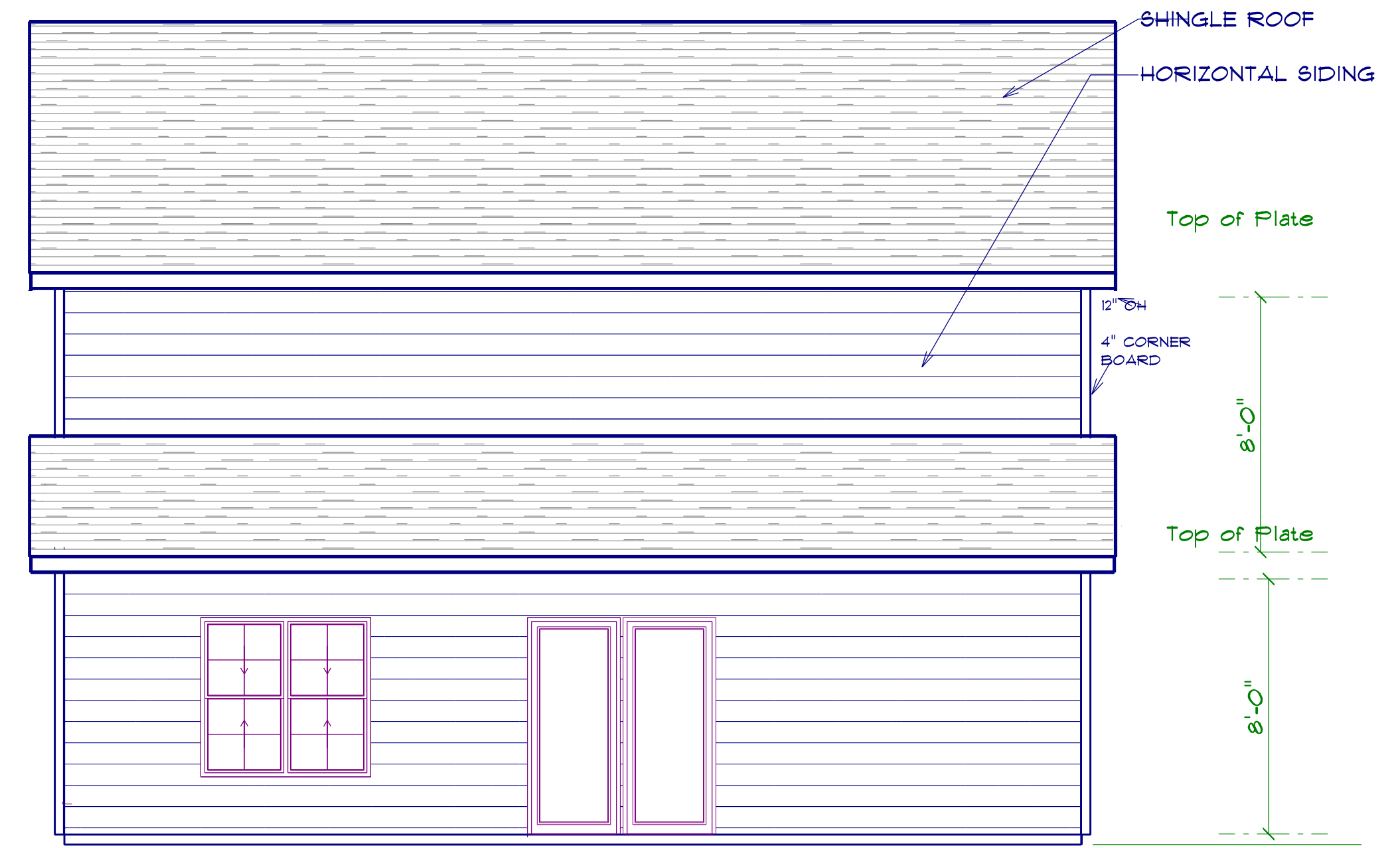
Floor	Height Of Ext. Wall	Area Of Ext. Wall	Ext. Wall
1st	8'-0	1363	1363
2nd	8'-0	849	849
other			
2212	Total Sq. Ft. of Exterior Walls		

Total Fenestration	Total Exterior Walls	Percentage of wall openings
188	2212	14%

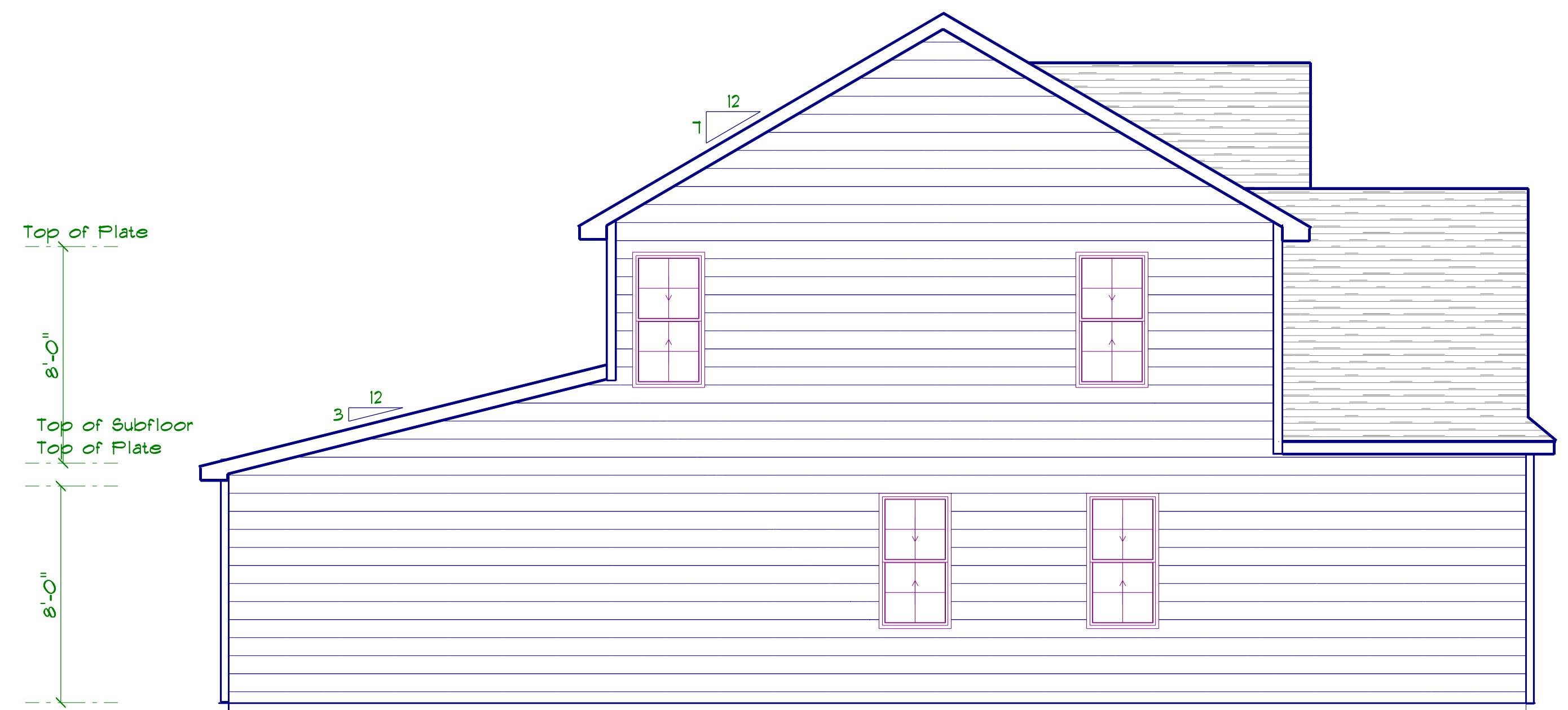
Above Grade Walls Surrounding Heated Space



RIGHT ELEVATION
SCALE: 1" = 1/4"



REAR ELEVATION
SCALE: 1" = 1/4"



LEFT ELEVATION
SCALE: 1" = 1/4"

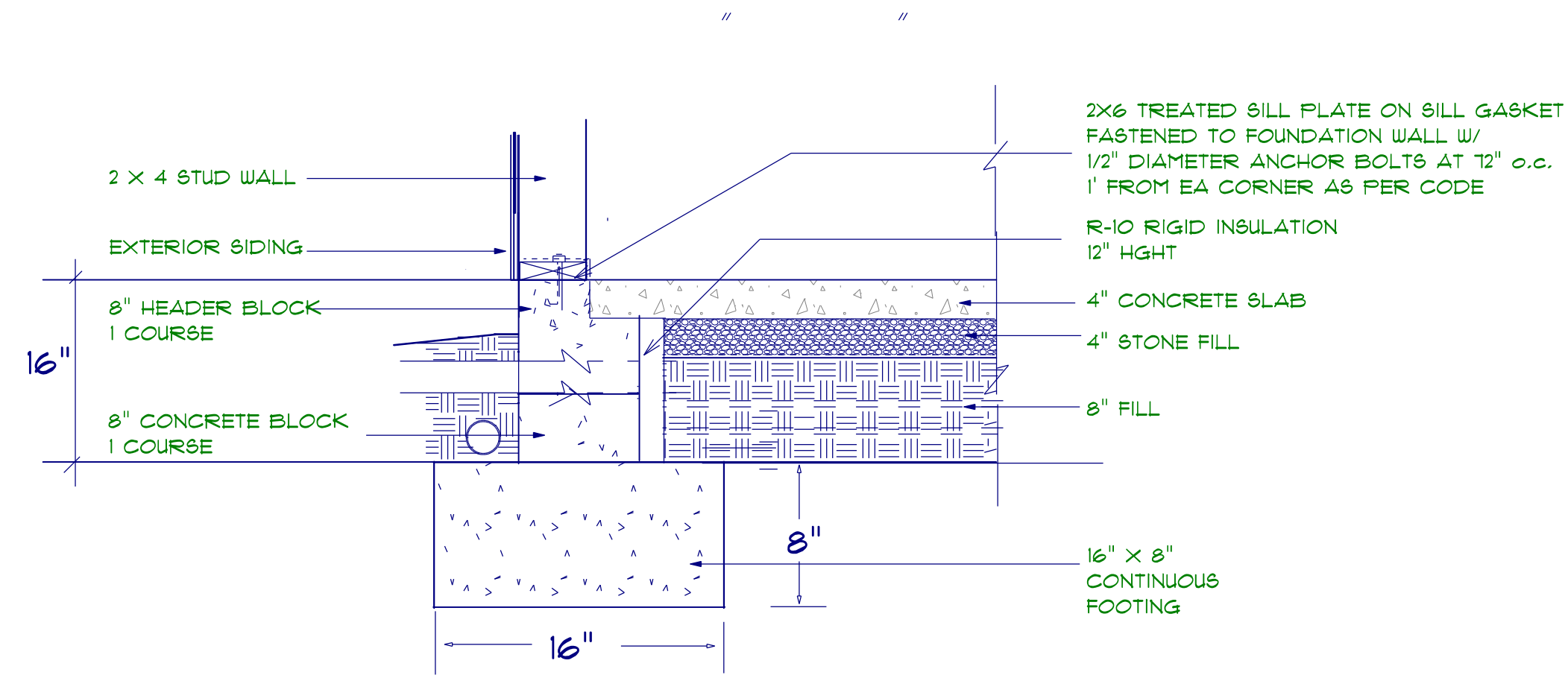
ELEVATION NOTES:
GRADE ELEVATIONS SHOWN DO NOT NECESSARILY REFER TO THIS OR ANY OTHER LOT. THEY ARE FOR DIAGRAMMATIC PURPOSES ONLY AND MAY VARY. BUILDER IS RESPONSIBLE FOR ADAPTING THIS PLAN TO SUIT THE EXISTING TOPOGRAPHY OF THE SITE.

ROOF VENTILATION TO BE DETERMINED BY BUILDER AS PER CODE.

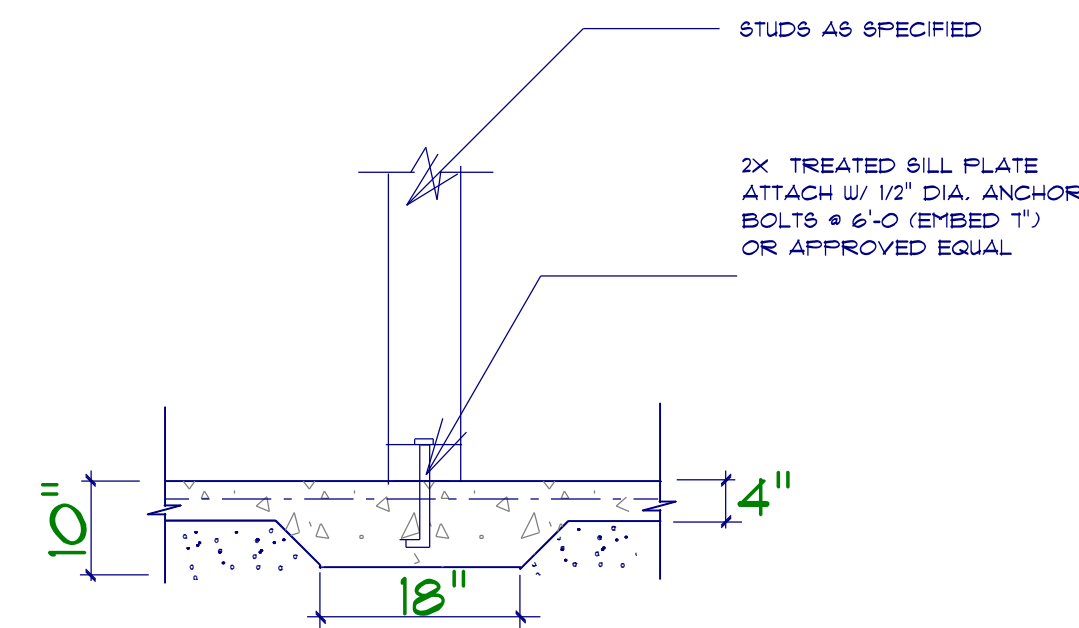
ALL EGRESS OR RESCUE WINDOWS FROM SLEEPING ROOMS MUST HAVE A MIN. NET CLEAR OPENING OF 4.0 SQ. FT. THE MIN NET CLEAR OPENING HEIGHT DIMENSION SHALL BE 22". THE MIN NET CLEAR OPENING WIDTH SHALL BE 20".

EACH EGRESS WINDOW FROM SLEEPING ROOMS MUST HAVE A SILL HEIGHT OF NO MORE THAN 44" FROM THE FLOOR. ALL WINDOW SIZES ARE NOMINAL AND ARE TO BE VERIFIED WITH MANUFACTURER FOR AVAILABILITY AND CONFORMITY TO STATE AND LOCAL CODE REQUIREMENTS.

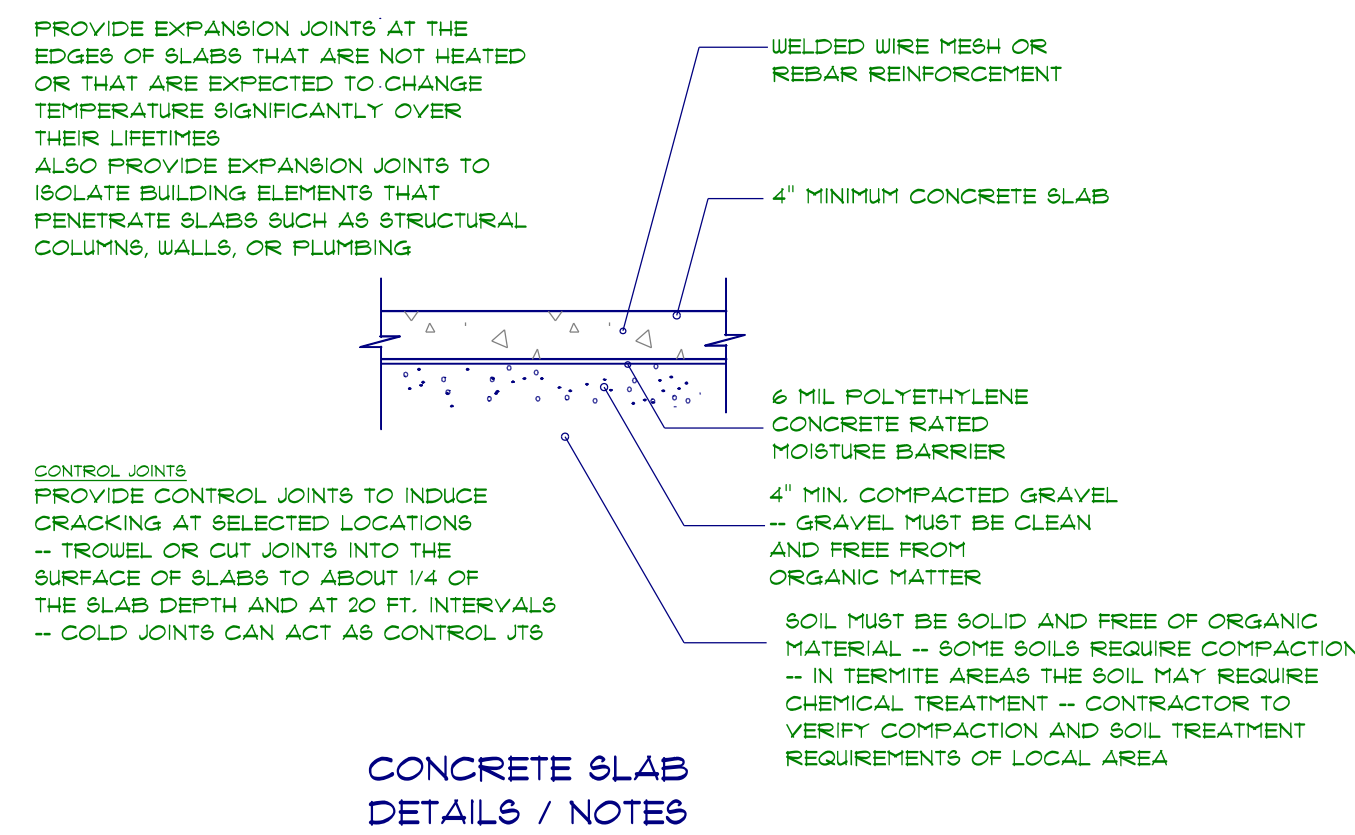
PORCHES, BALCONIES, OR RAISED FLOOR SURFACES LOCATED MORE THAN 30" ABOVE THE FLOOR OR GRADE BELOW SHALL HAVE GUARDRAILS NOT LESS THAN 32" IN HEIGHT.



STEM WALL FOUNDATION Detail not to scale



TYPICAL THICKENED SLAB



CONCRETE SLAB DETAILS / NOTES

FOUNDATION NOTES:

ALL FOOTINGS SHALL BEAR ON ORIGINAL UNDISTURBED SOIL. THE 28 DAY COMPRESSIVE STRENGTH OF ALL FOOTINGS IS 3000 PSI

PROVIDE WATER PROOFING AND PERIMETER DRAINS AS REQUIRED.

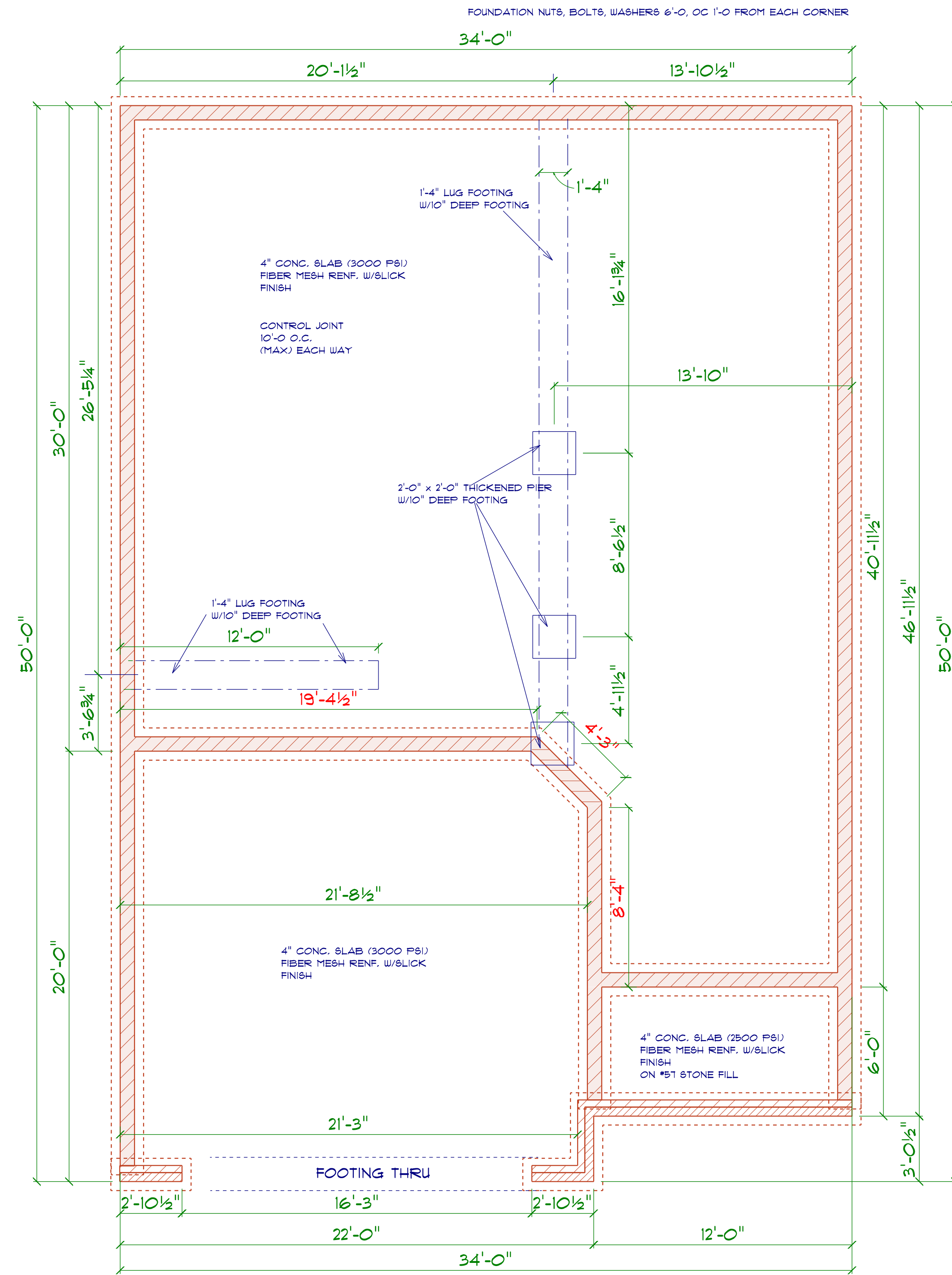
FOUNDATION CONCRETE MIX TO HAVE 1/2" MAX AGGREGATE SIZE. CONCRETE FILL MIX TO HAVE 1/2" MAX AGGREGATE SIZE.

FOOTING WIDTHS ARE BASED ON A LOAD-BEARING SOIL CAPACITY OF 2000 PSI.

PROVIDE 6 MIL POLY VAPOR BARRIER TO COVER GROUND SURFACE IN CRAWL SPACE

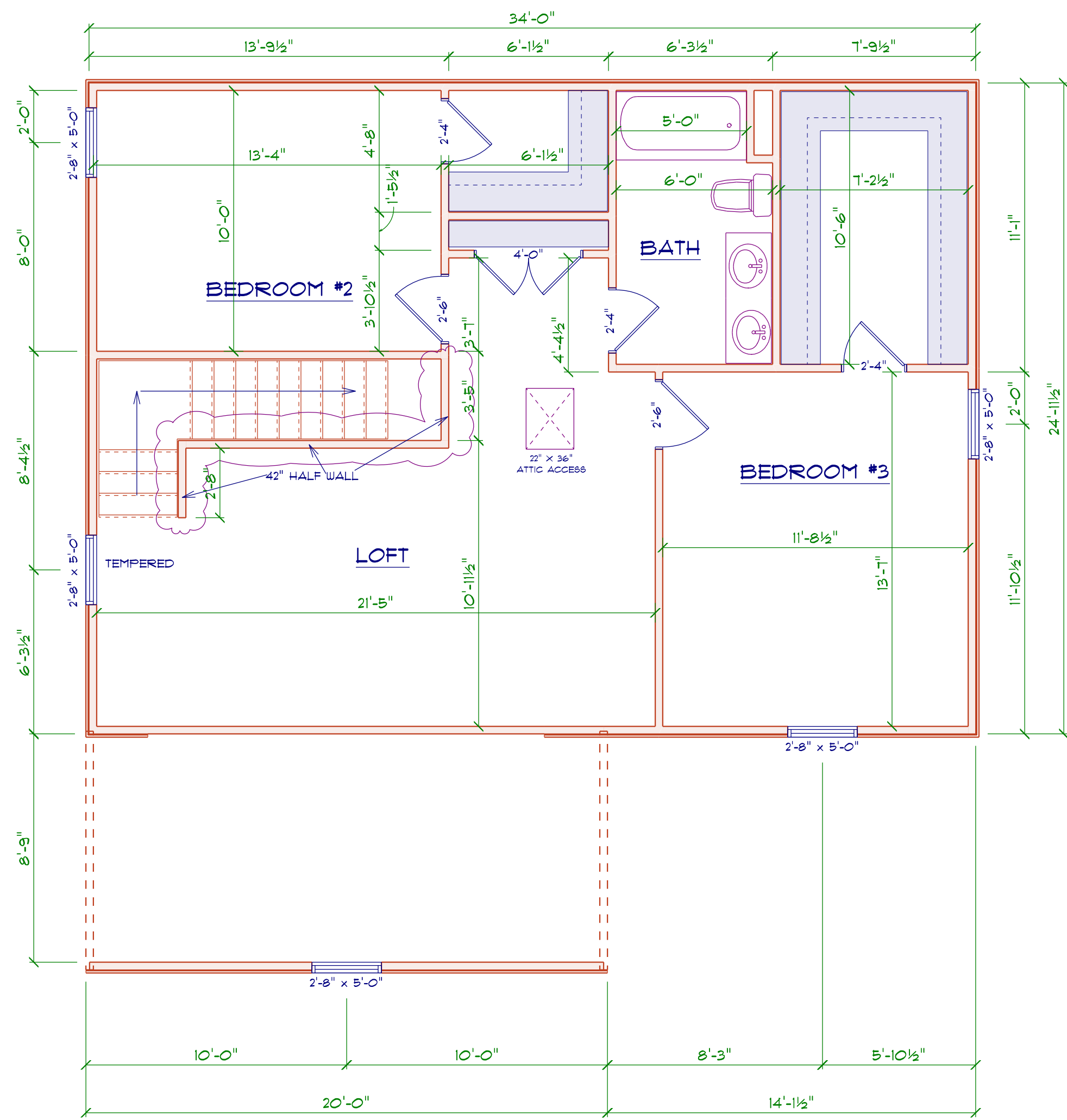
ALL ANCHOR BOLTS TO BE 1" LONG, 1/2" DIA. ASB UNO ANCHOR BOLTS SHALL BE SPACE AT A MAX OF 6' OC AND NO MORE THAN 1' FROM EA CORNER.

Termite Soil Treatment: Treat entire slab area soil or crawl space surface before vapor barrier is installed and slab is poured with a state approved termiticide. Termiticide should be applied by a licensed and certified pest control professional by the state of North Carolina.



FOUNDATION PLAN

SCALE: 1" = 1/4"



2ND FLOOR PLAN

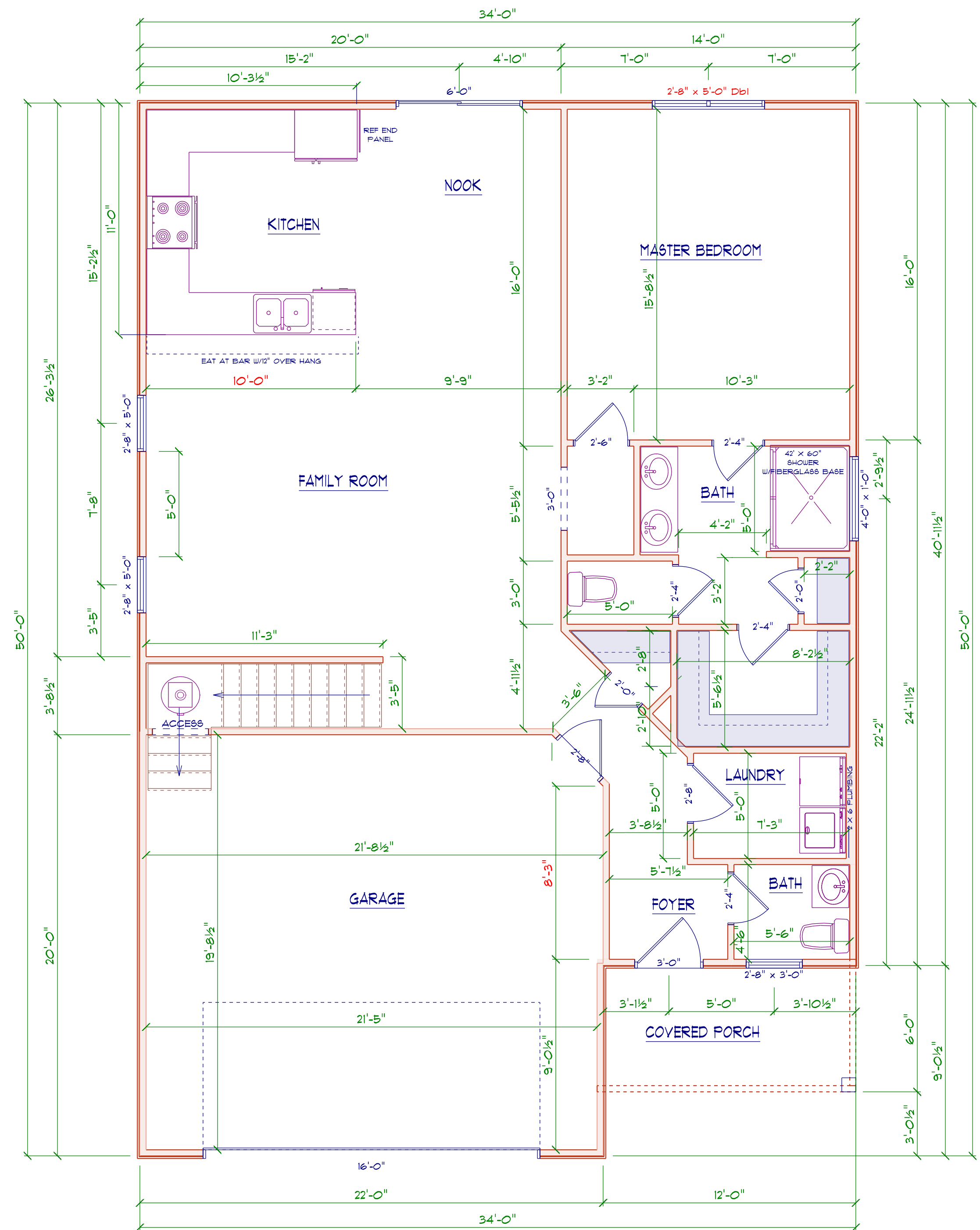
SCALE: 1" = 1/4"

AREA SCHEDULE	
NAME	AREA
Heated Floor Area	805.5 sq. ft.

OPENING SCHEDULE				
SIZE	COUNT	LIBRARY NAME	R.O. WIDTH	R.O. HEIGHT
2'-8" x 5'-0"	5	Window\Double Hung	2'-8"	5'-0"

GENERAL FRAMING NOTES:
 ALL LUMBER IN CONTACT WITH CONCRETE OR MASONRY SHALL BE PRESSURE TREATED.
 FRAMING LUMBER SHALL BE SYP #2 GRADE AND/OR SPRUCE PINE FIR #1 AND/OR #2, KILN DRIED.
 WHERE PRE-ENGINEERED JOISTS ARE USED, JOIST MANUFACTURER SHALL PROVIDE SHOP DRAWINGS, WHICH BEAR SEAL OF A N.C. ENGINEER.
 STUDS AND JOISTS SHALL NOT BE CUT TO INSTALL PLUMBING OR WIRING WITHOUT ADDING METAL OR WOOD SIDE PANELS TO STRENGTHEN THE MEMBER TO ITS ORIGINAL CAPACITY.
 NAIL MULTIPLE MEMBERS WITH 2 ROWS OF 16d NAILS STAGGERED 32" OC AN USE 3-16d NAILS 2" IN AT EACH END. DOUBLE ALL STUDS UNDER ROOF POST DOWNS UNO.
 NAIL FLOOR JOISTS TO BILL PLATE WITH 8d TOE NAILS.
 ALL EXPOSED FRAMING ON PORCHES AND DECKS SHALL BE PRESSURE TREATED.
 PROVIDE WATERPROOFING AND DRAINS AS REQUIRED.
 ALL FRAMING TO BE 16" OC UNO. WALL FRAMING DIMENSIONS ARE BASED ON 2 X 4 STUDS UNO. DOUBLE STUDS UNDER ALL HEADERS.
 LVL'S AND TJI'S TO BE SIZED BY OTHERS
 EXTERIOR WALLS IN LIVING AREAS ARE 2 X 4

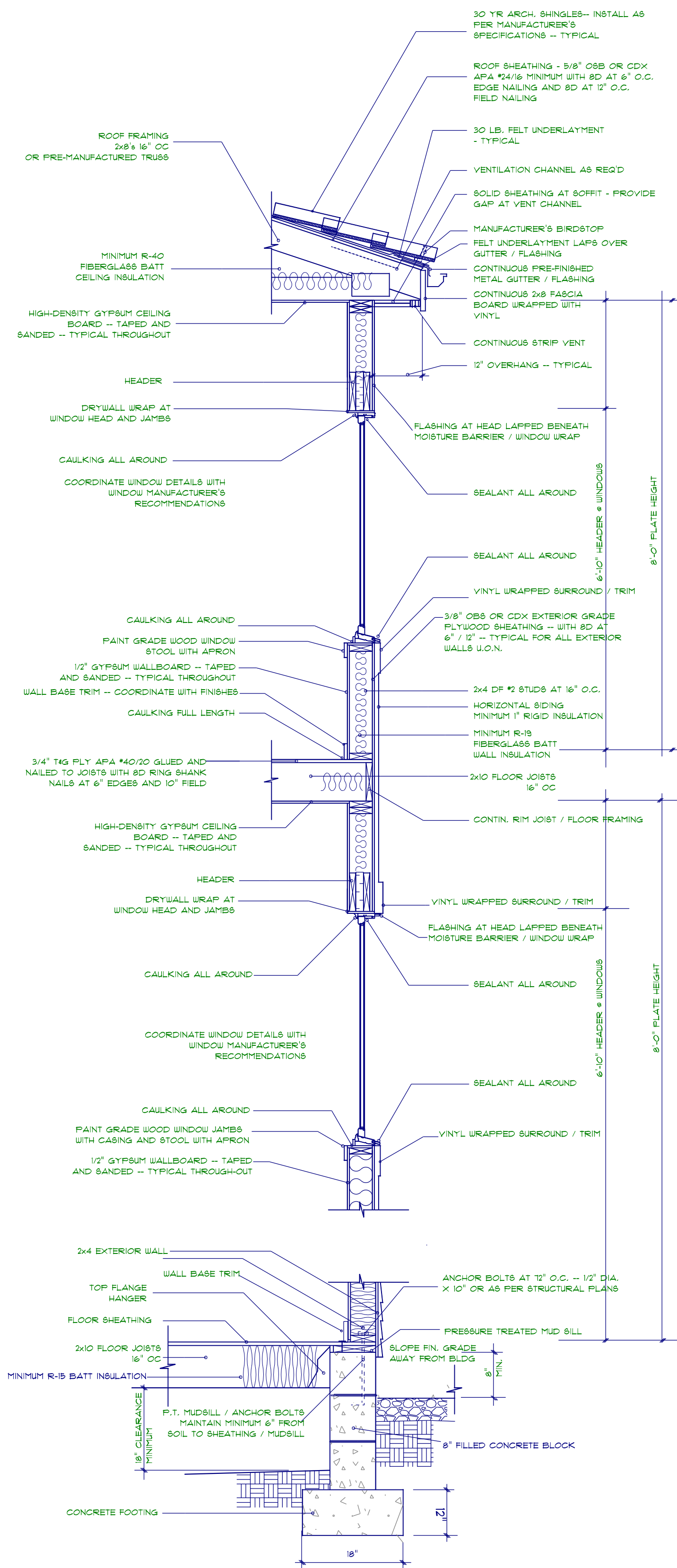
OPENING SCHEDULE				
SIZE	COUNT	LIBRARY NAME	R.O. WIDTH	R.O. HEIGHT
6'-0"	1	Exterior Door\Patio	72"	80-1/2"
2'-8" x 3'-0"	1	Window\Double Hung	32"	36"
2'-8" x 5'-0"	2	Window\Double Hung	32"	60-1/2"
2'-8" x 5'-0" Dbl	1	Window\Double Hung	64-1/2"	60-1/2"
4'-0" x 1'-0"	1	Window\Transom	48"	12"



1ST FLOOR PLAN

SCALE: 1" = 1/4"

AREA SCHEDULE	
NAME	AREA
Heated Floor Area	1147.9 sq. ft.
Garage	443.2 sq. ft.
Covered Porch	69.8 sq. ft.



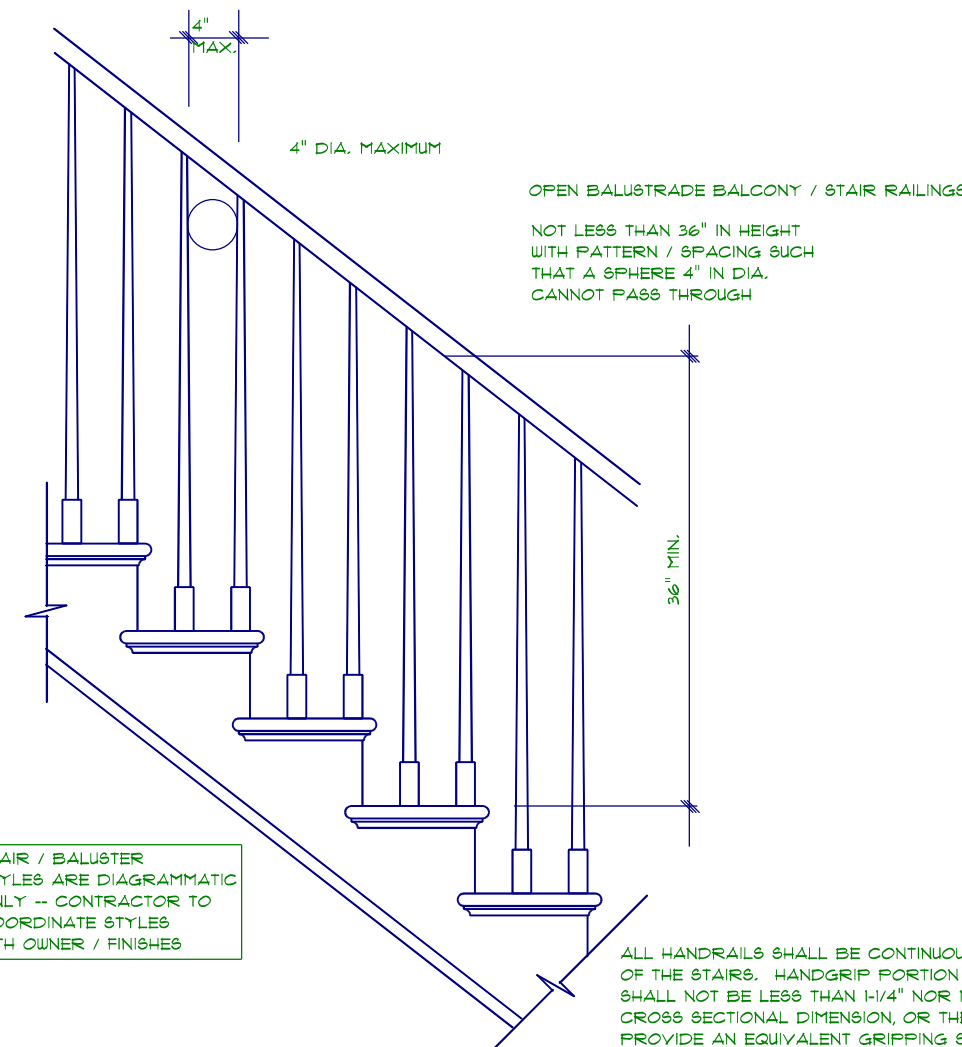
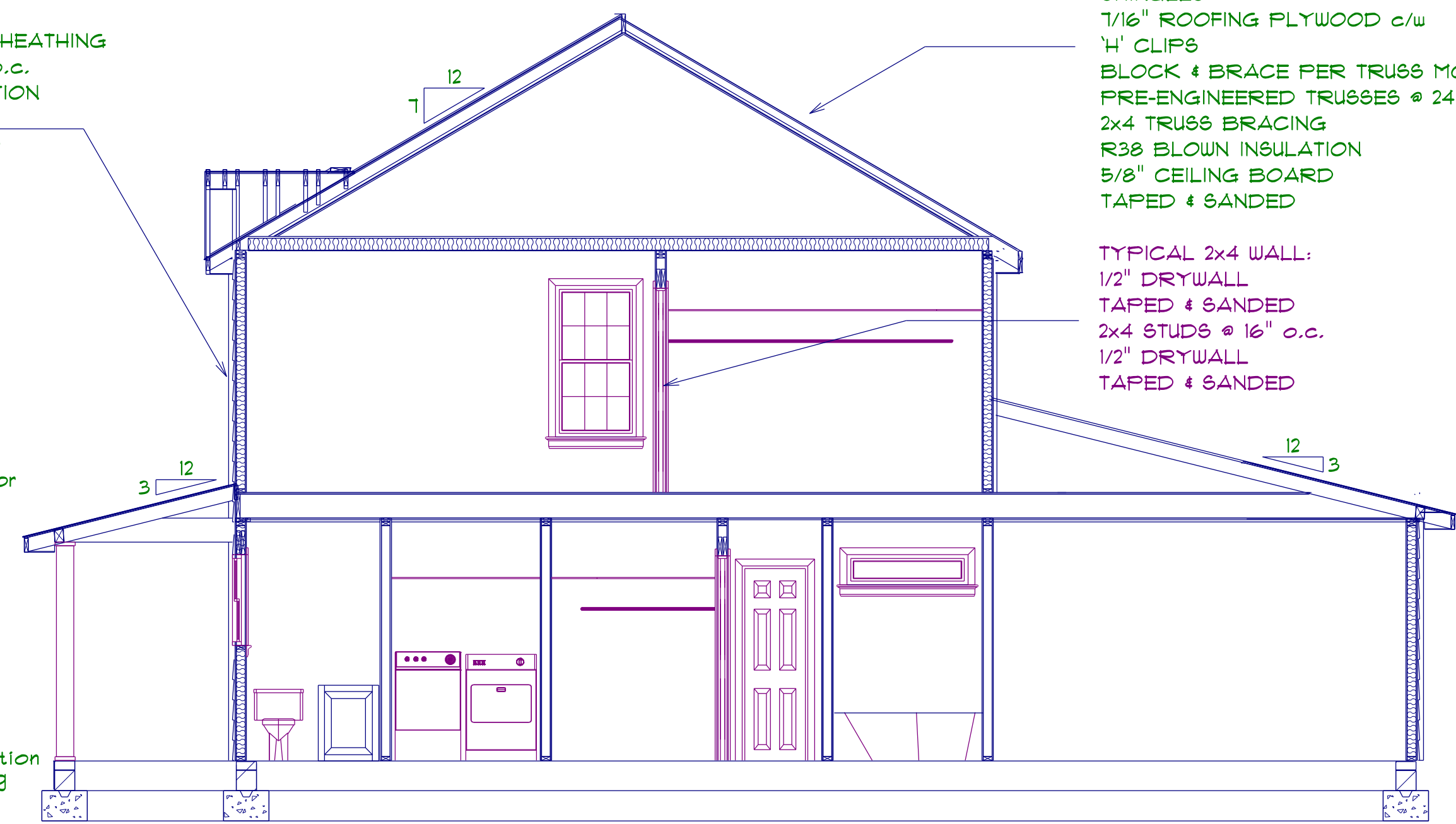
TWO STORY DETAIL WITH CRAWL SPACE

TYPICAL 2x4 SIDING EXTERIOR WALL:
VINYL SIDING
1/16" PLYWOOD SHEATHING
2x4 STUDS @ 16" o.c.
R13 BATT INSULATION
1/2" DRYWALL
TAPED & SANDED

TYPICAL TRUSS ROOF:
SHINGLES
7/16" ROOFING PLYWOOD c/w 'H' CLIPS
BLOCK & BRACE PER TRUSS MGR.
PRE-ENGINEERED TRUSSES @ 24" o.c.
2x4 TRUSS BRACING
R38 BLOWN INSULATION
5/8" CEILING BOARD
TAPED & SANDED

TYPICAL 2x4 WALL:
1/2" DRYWALL
TAPED & SANDED
2x4 STUDS @ 16" o.c.
1/2" DRYWALL
TAPED & SANDED

Top of Plate
Top of Subfloor
Top of Plate
Top of Foundation
Top of Footing



STAIR / BALUSTER STILES ARE DIAGRAMMATIC ONLY - CONTRACTOR TO COORDINATE STILES WITH OWNER / FINISHES

ALL HANDRAILS SHALL BE CONTINUOUS THE FULL LENGTH OF THE STAIRS. HANDGRIP PORTION OF ALL HANDRAILS SHALL NOT BE LESS THAN 1 1/4" NOR MORE THAN 2" IN CROSS SECTIONAL DIMENSION OR THE SHAPE SHALL PROVIDE AN EQUIVALENT GRIPPING SURFACE

STAIR RAILING

ROOF NOTES:

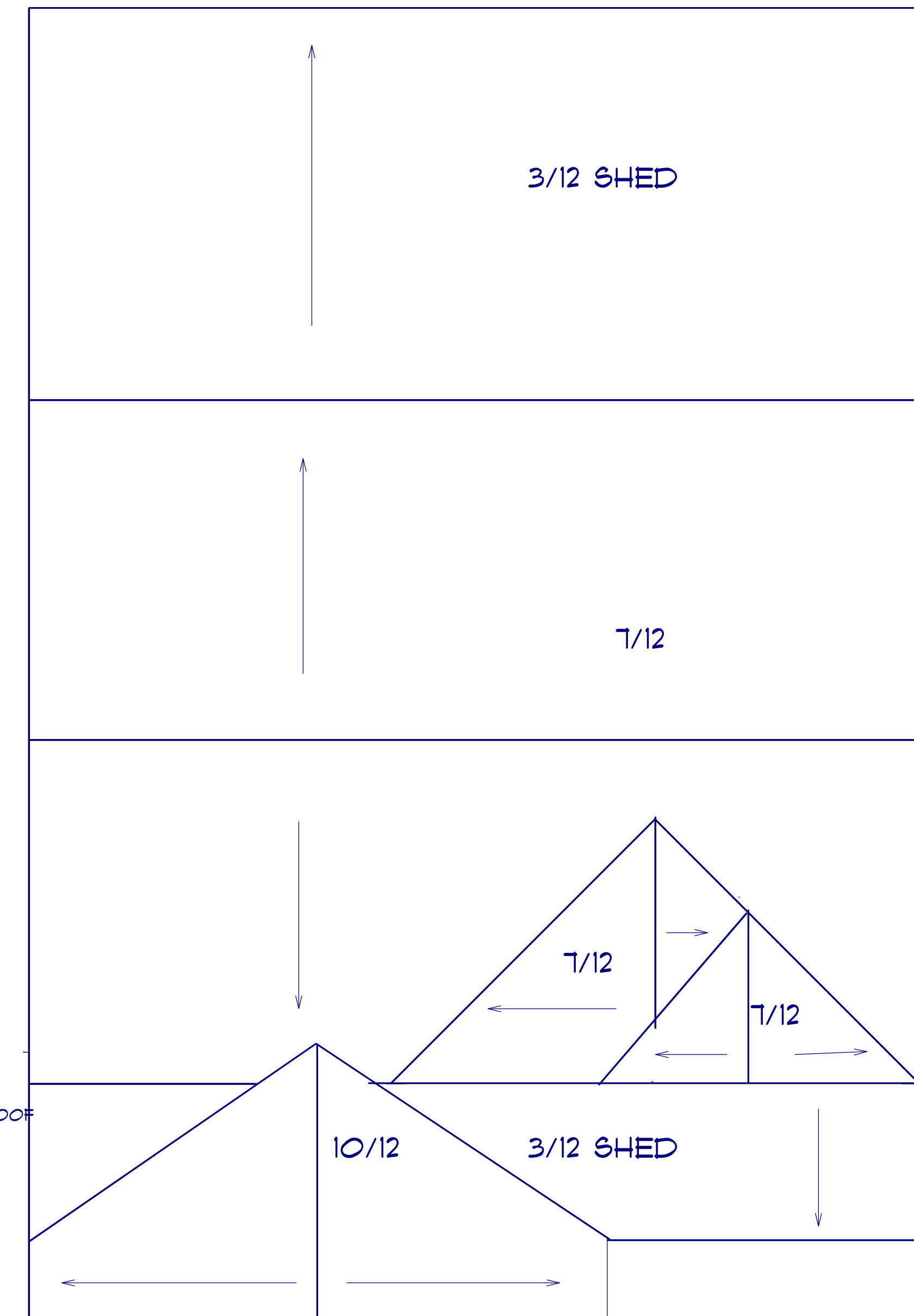
TRUSSES, BRACINGS, BRIDGING AND CONNECTORS ARE TO BE DESIGNED BY THE TRUSS MANUFACTURER.

IDENTIFY LUMBER BY OFFICIAL GRADE MARKINGS.

DO NOT CUT OR REMOVE CHORDS OR OTHER TRUSS MEMBERS. DO NOT NOTCH OR DRILL TRUSS MEMBERS.

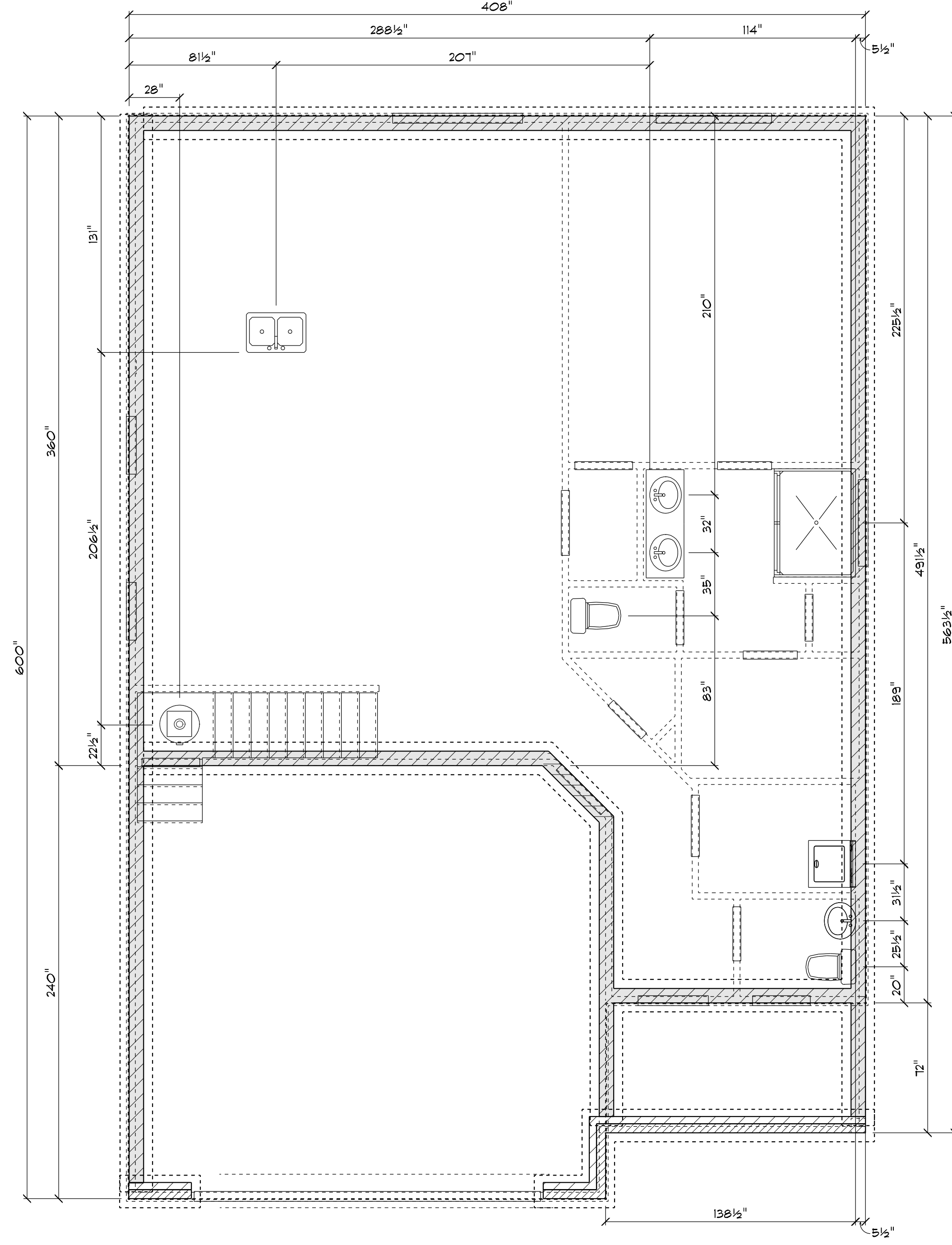
WHERE PRE-ENGINEERED ROOF TRUSSES ARE USED, TRUSS MANUFACTURER SHALL PROVIDE SHOP DRAWINGS, WHICH BEAR SEAL OF A N. C. REGISTERED ENGINEER.

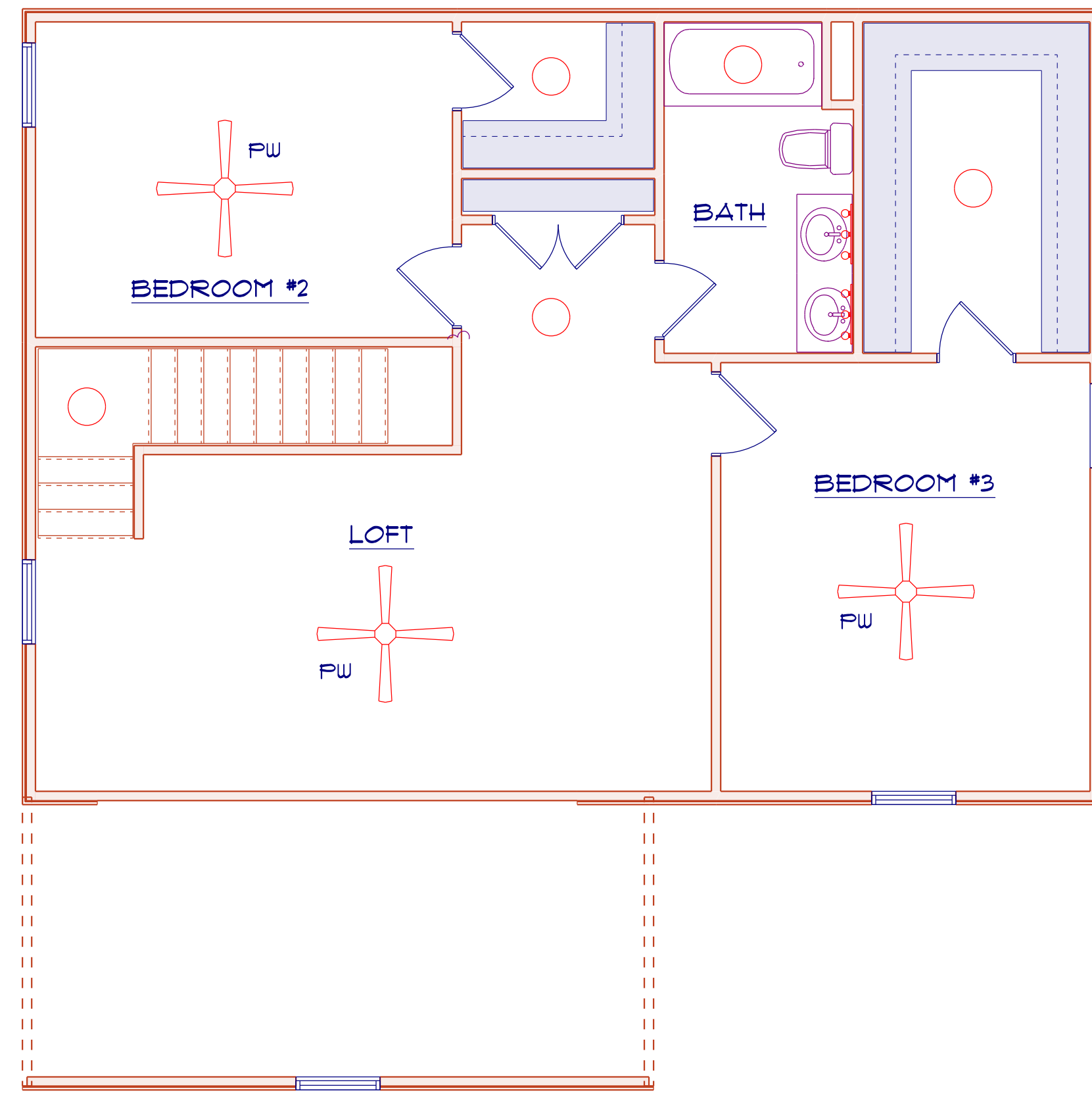
7/12 PITCH MAIN ROOF
10/12 PITCH GARAGE ROOF
3/12 PITCH SHED
12" OVERHANG



ROOF PLAN

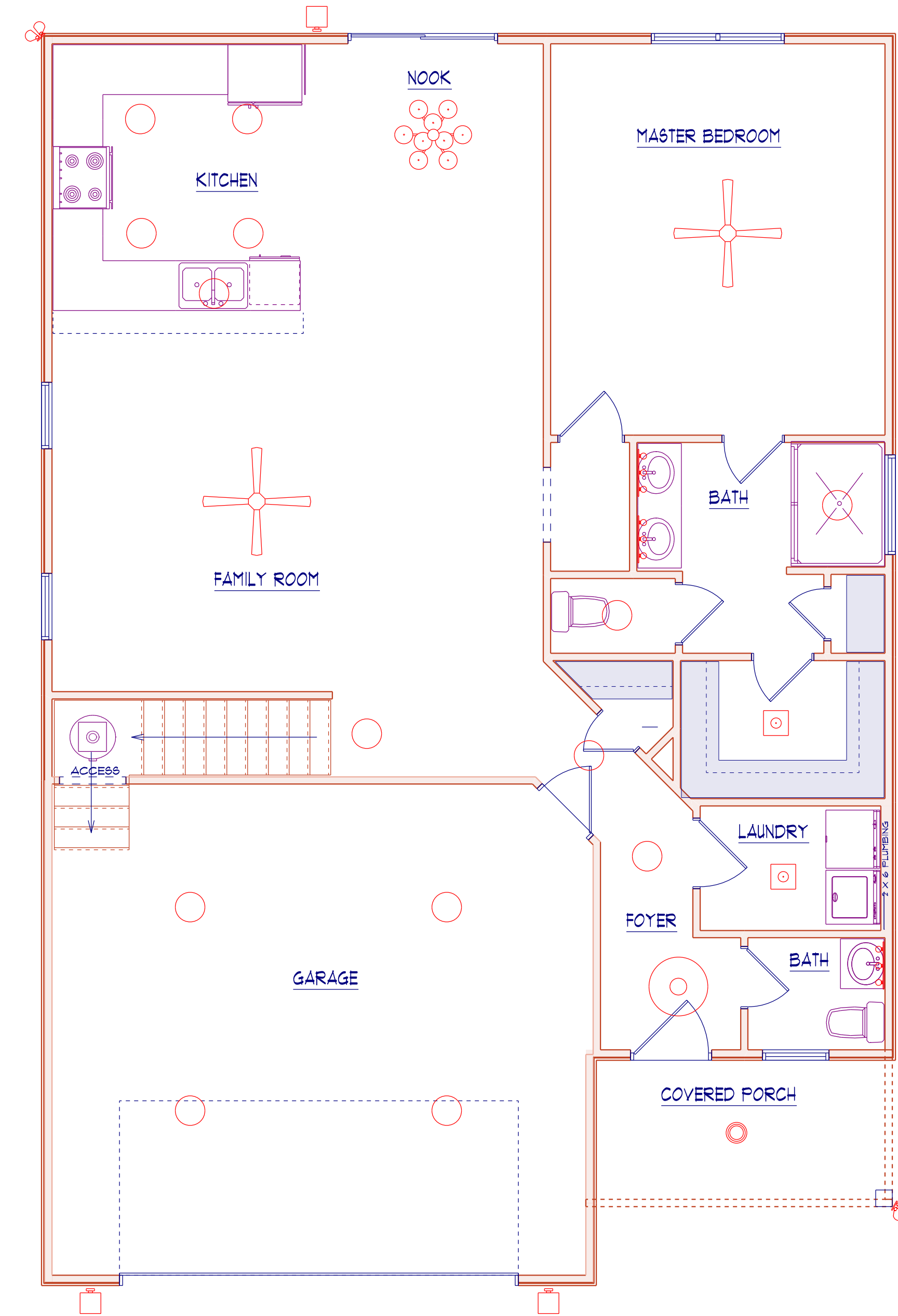
SCALE: 1" = 1/4"





2ND FLOOR PLAN

ELECTRICAL LEGEND		
ELECTRICAL	COUNT	SYMBOL
ceiling fan	2	
10" led	2	
7" led	19	
foyer light	1	
dinning room light	1	
coach light	3	
exterior over head light	1	
flood light	2	
vanity bar light	5	



1ST FLOOR PLAN