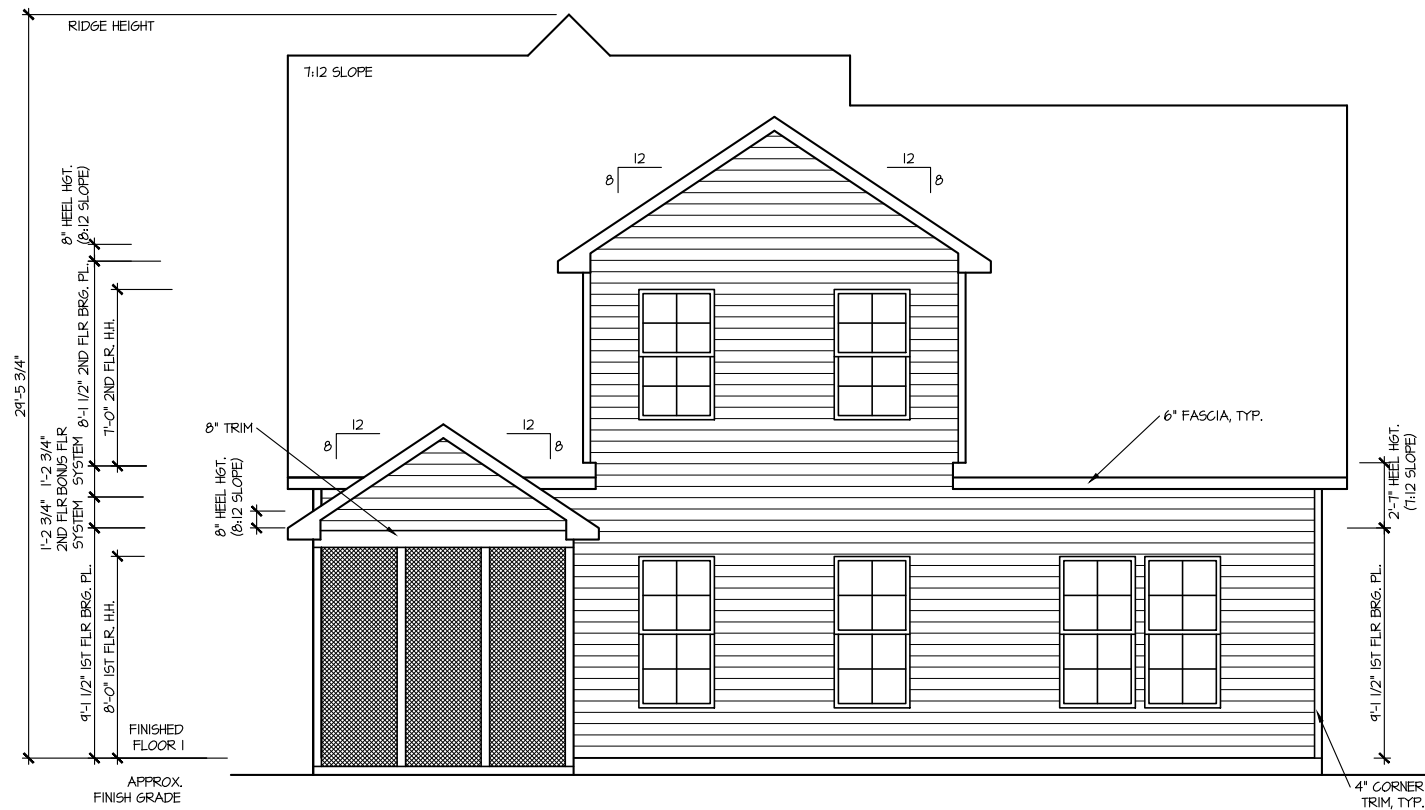


FRONT ELEVATION 4

SCALE: 1/8" = 1'-0"



REAR ELEVATION 4

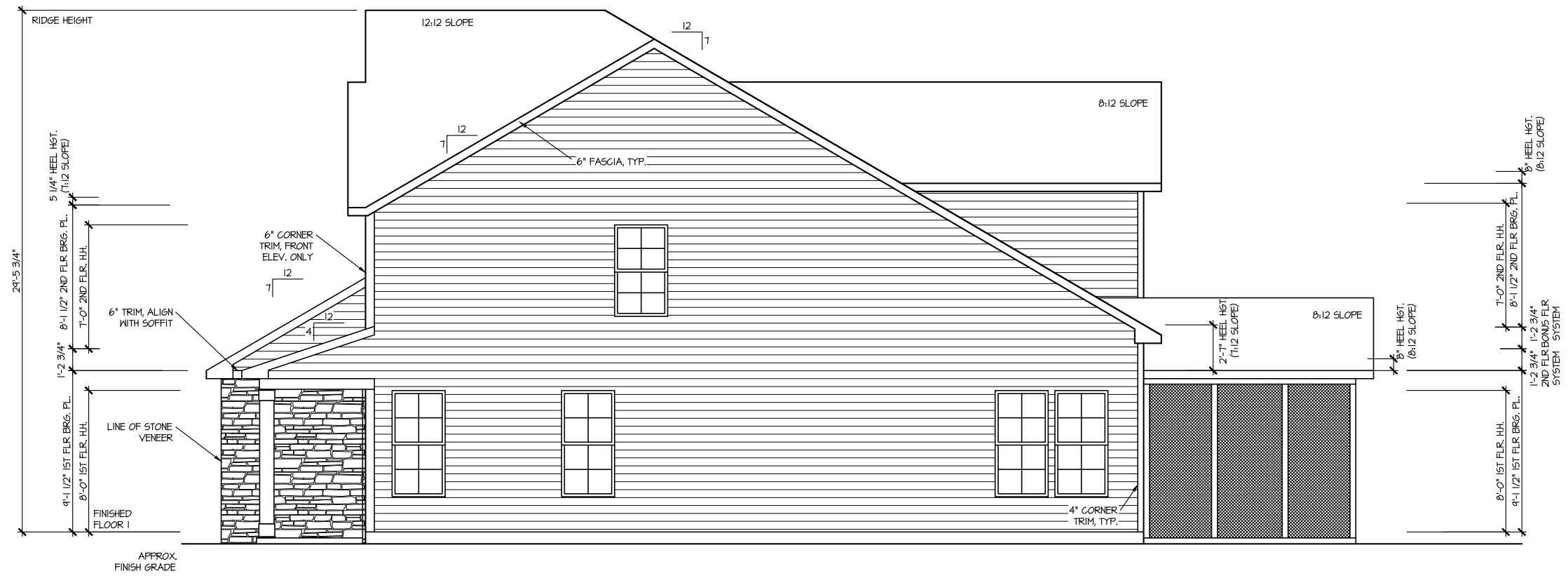
SCALE: 1/8" = 1'-0"

MASTER PLAN INFORMATION	
REVISION DATE	UPDATED DATE
R1 RALE 10-12-18	01-24-22

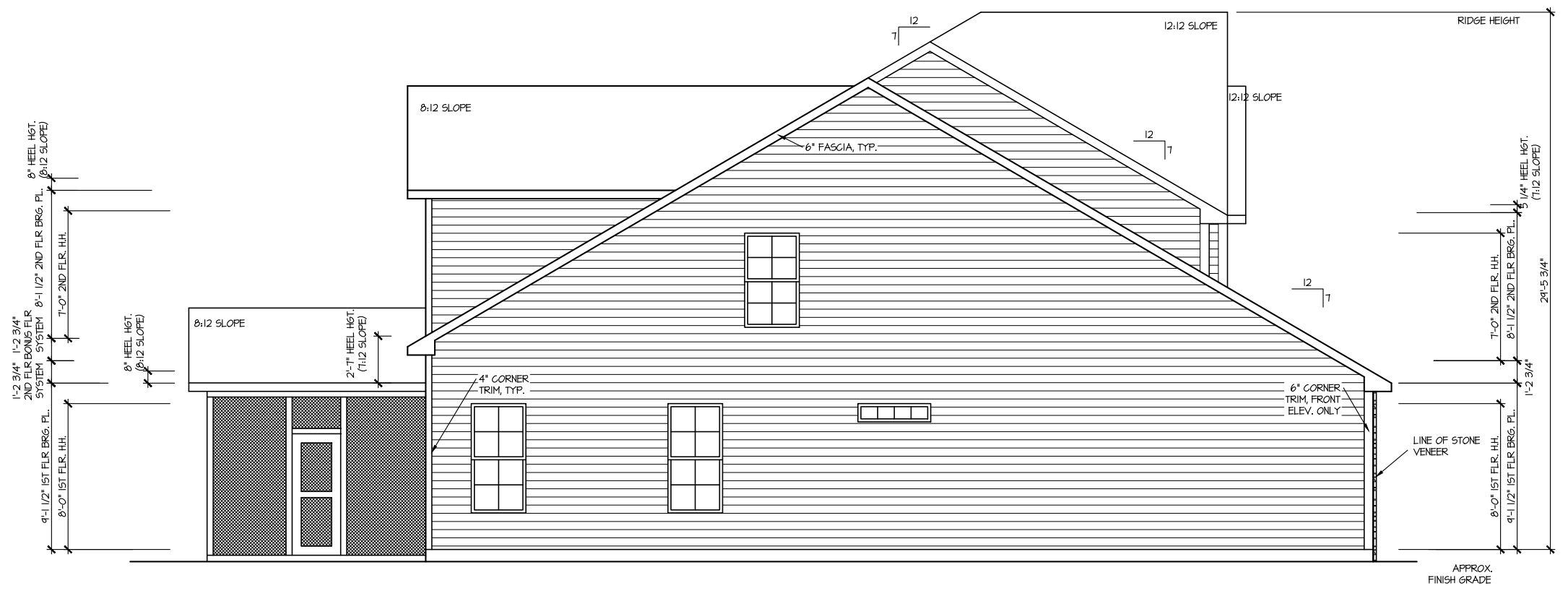
DRAWN BY:	ITS
DATE:	03/09/2022
PLAN NO.	2183

HOUSE NAME:	MIDDLETON
DRAWING TITLE	FRONT & REAR ELEVATIONS

SHEET No.	A.I
-----------	-----



RIGHT ELEVATION 4
SCALE: 1/8" = 1'-0"



LEFT ELEVATION 4
SCALE: 1/8" = 1'-0"

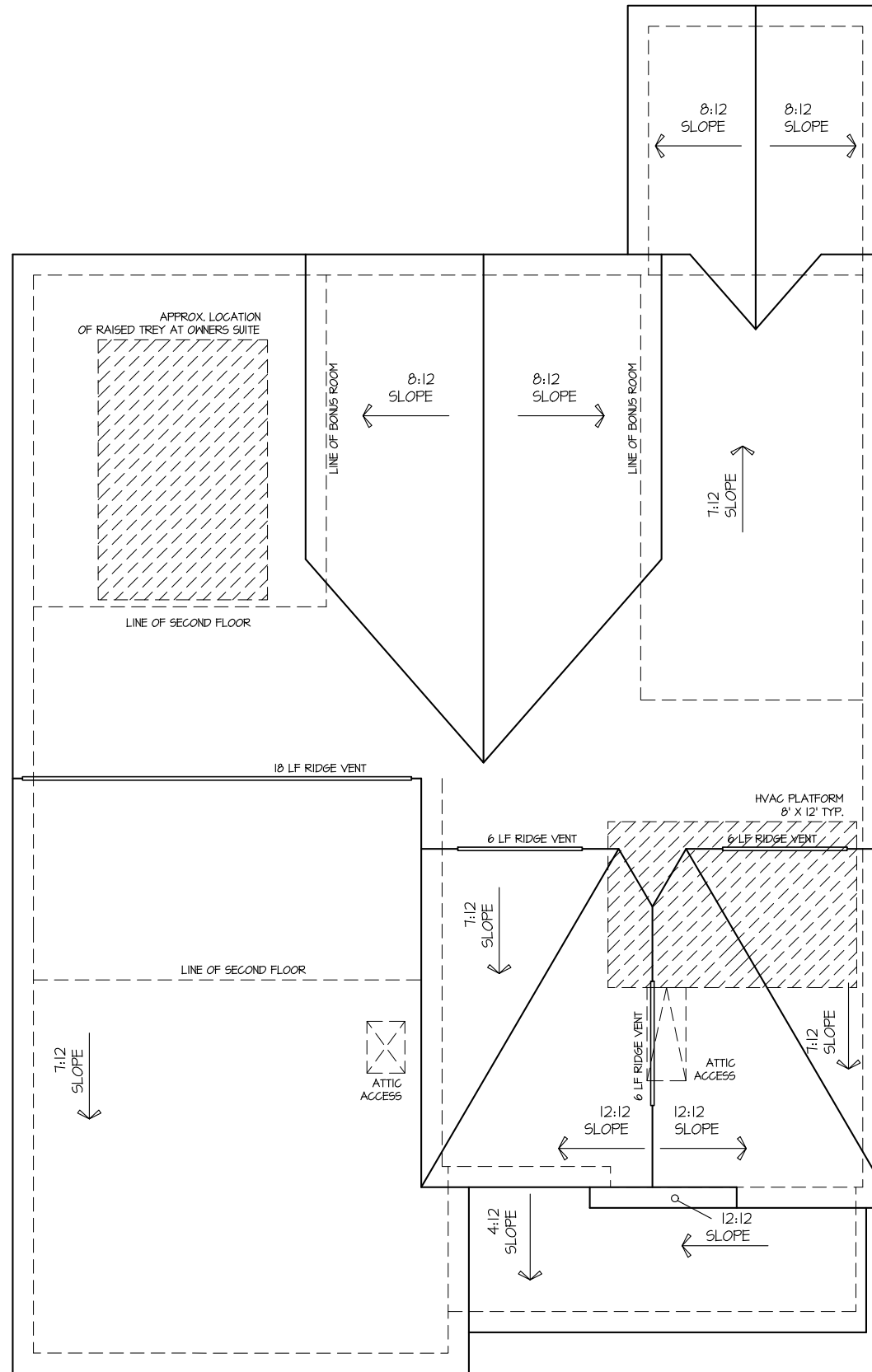
MASTER PLAN INFORMATION	
REVISION DATE	UPDATED DATE
R1 RALE 10-12-18	01-24-22

DRAWN BY: ITS
DATE: 03/09/2022
PLAN NO. 2183

HOUSE NAME: MIDDLETON
DRAWING TITLE: RIGHT & LEFT ELEVATIONS

SHEET No. A1.2

ROOF VENTILATION CALCULATIONS:
 ROOF AREA = 2402 SQ. FT.
 OVERALL REQUIRED VENTILATION:
 1 TO 150 = 14.01 SQ. FT.
 1 TO 300 = 7.01 SQ. FT.
 50-80% IN TOP THIRD = 350 - 5.61 SQ. FT. (1 TO 300)
 NET FREE AREA OF VENTED SOFFIT = 5.7 SQ. IN. / LINEAR FT.
 NET FREE AREA OF RIDGE VENT = 10 SQ. IN. / LINEAR FT.
 LOWER VENTING (BOTTOM 2/3 RDS)
 14 LINEAR FEET OF SOFFIT X 5.7 SQ. IN. = 249 SQ. FT.
 UPPER VENTING (TOP 1/3 RDS)
 36 LINEAR FEET OF RIDGE X 10 SQ. IN. = 45 SQ. FT.
 400 SQ. FT. BETWEEN 50% - 80%
 (1 TO 300 ALLOWED)
 TOTAL ROOF VENTILATION: 743 SQ. FT. > 701 SQ. FT. (REQ'D)



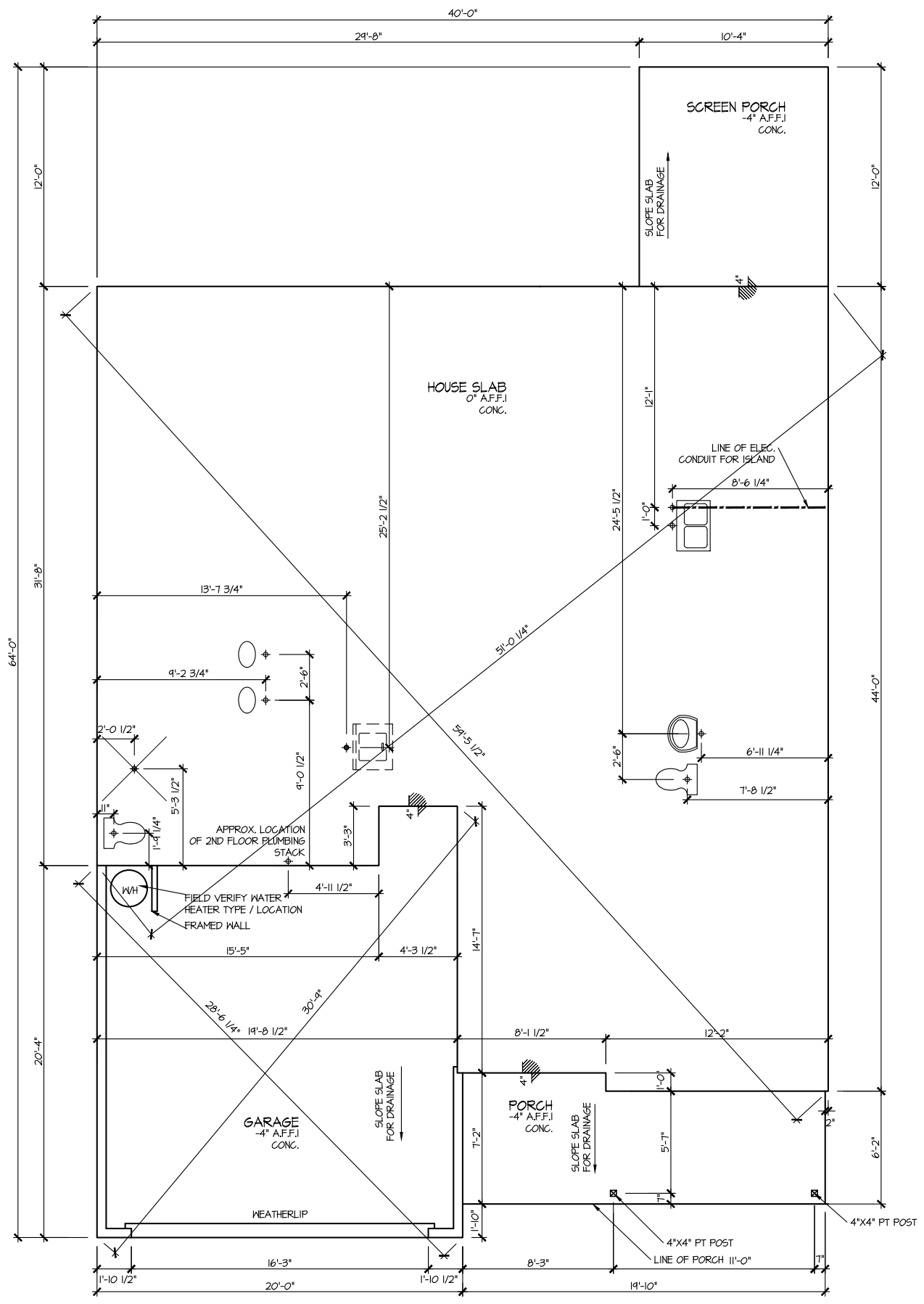
ROOF PLAN ELEV. 4
 SCALE: 1/8" = 1'-0"

MASTER PLAN INFORMATION	
REVISION	DATE
R1	RALE 10-12-18
	UPDATED DATE 01-24-22

DRAWN BY: ITS
 DATE: 03/09/2022
 PLAN NO. 2183

HOUSE NAME: MIDDLETON
 DRAWING TITLE: ROOF PLAN

SHEET No. A1.3



**ELEVATION 4
SLAB PLAN**
SCALE: 1/8" = 1'-0"

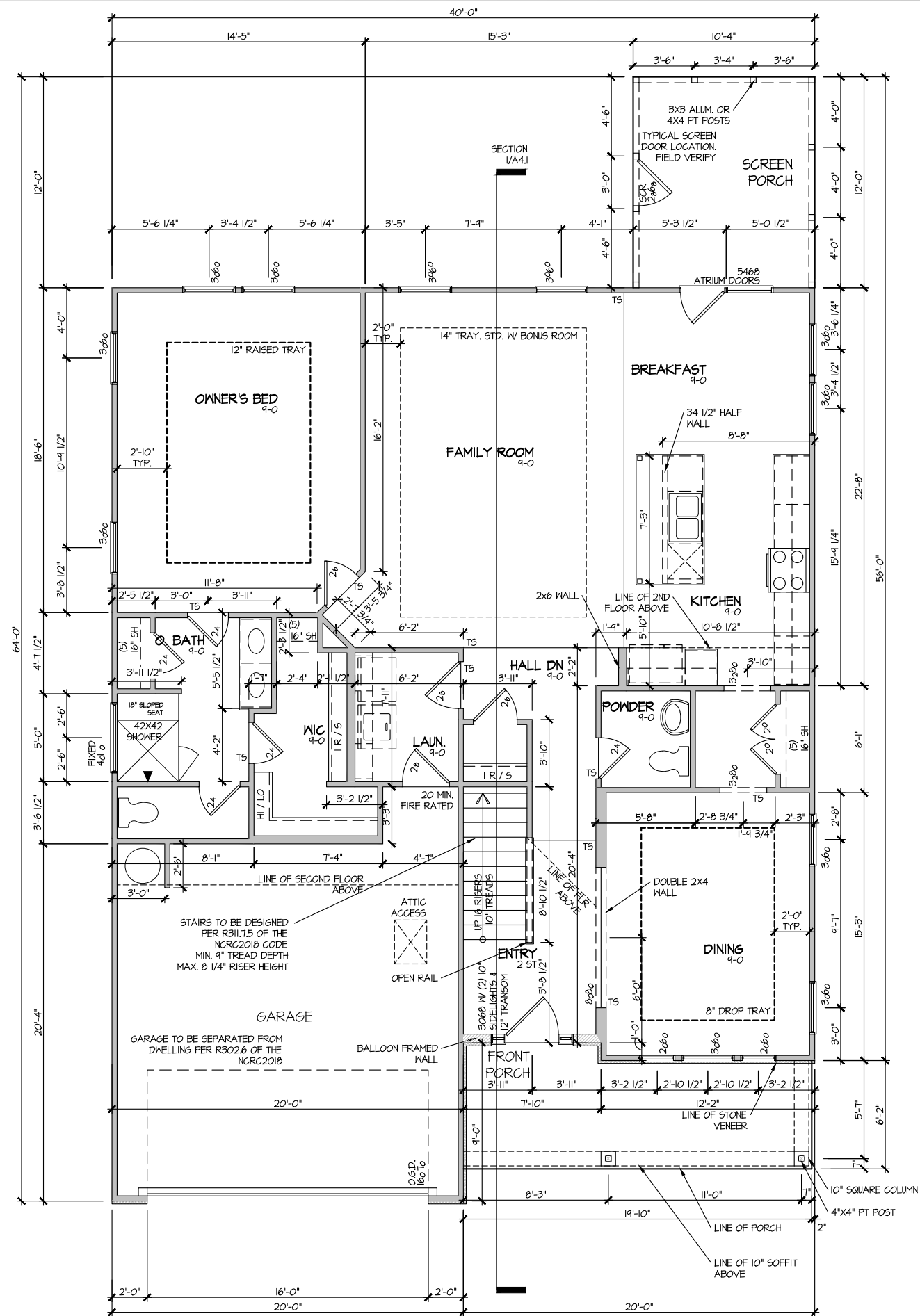
FILE: Lot 00.0004.dwg DATE: 3/9/2022 12:26 PM

MASTER PLAN INFORMATION	
REVISION	DATE
R1	RALE 10-12-18
UPDATED DATE	01-24-22

DRAWN BY:	ITS
DATE:	03/09/2022
PLAN NO.	2183

HOUSE NAME:	MIDDLETON
DRAWING TITLE	SLAB PLAN

SHEET No.
A2.1



**ELEVATION 4
FIRST FLOOR PLAN**
SCALE: 1/8" = 1'-0"

MASTER PLAN INFORMATION	
REVISION	DATE
R1	10-12-18
RALE	01-24-22

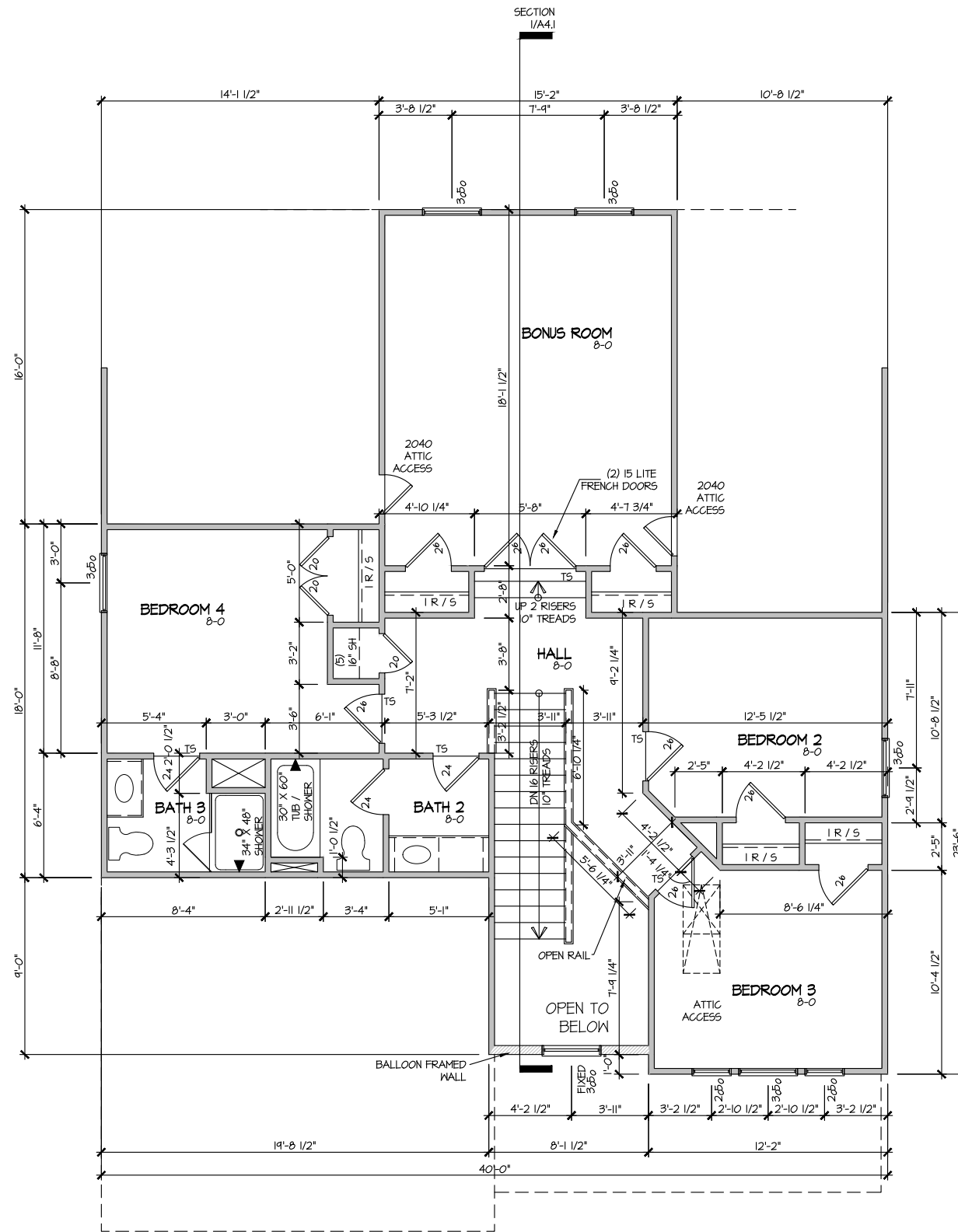
DRAWN BY: ITS
 DATE: 03/09/2022
 PLAN NO. 2183






HOUSE NAME: MIDDLETON
 DRAWING TITLE: FIRST FLOOR PLAN

SHEET No. A3.1



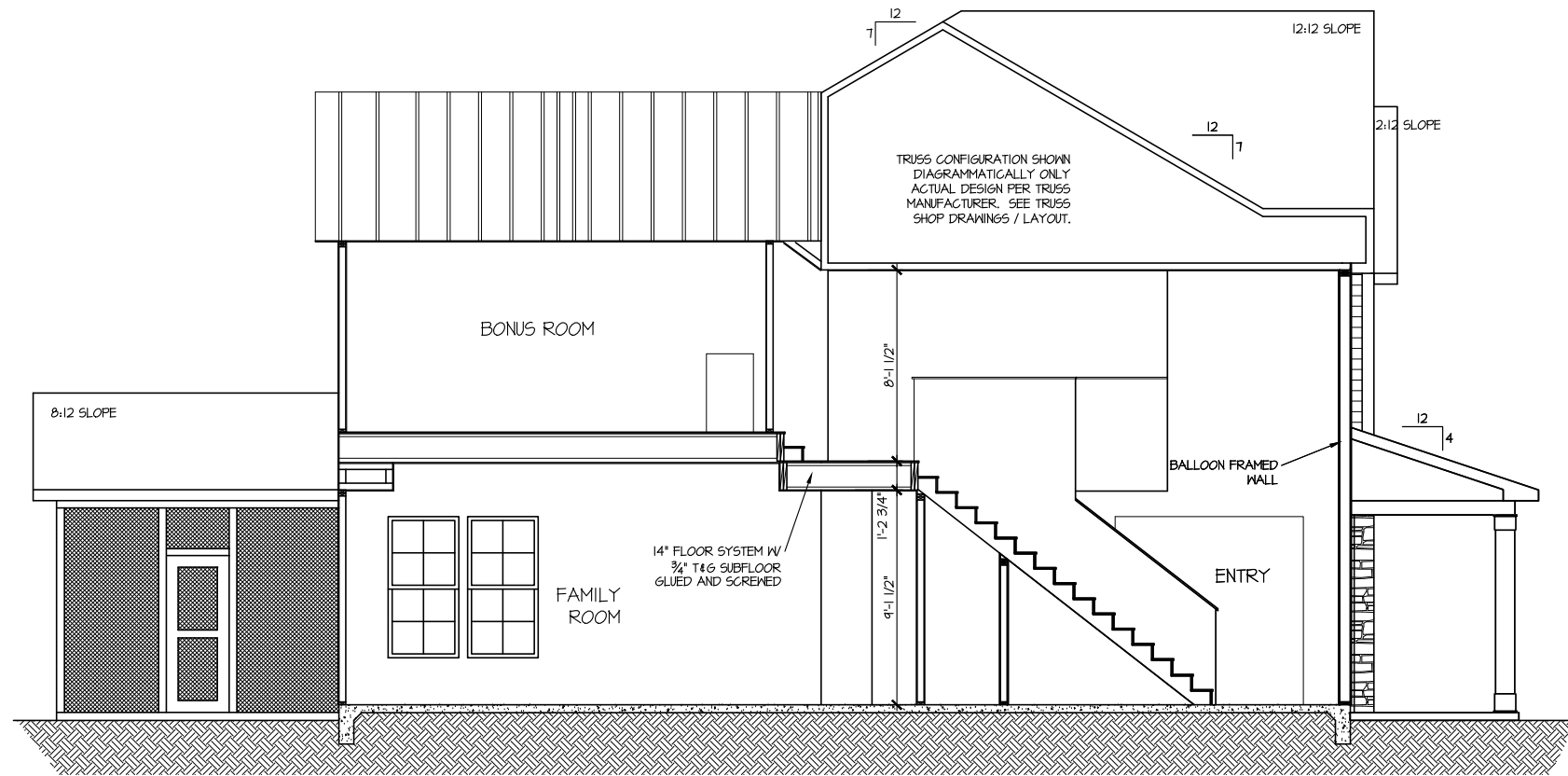
**ELEVATION 4
SECOND FLOOR PLAN**
SCALE: 1/8" = 1'-0"

MASTER PLAN INFORMATION	
REVISION	DATE
R1	RALE 10-12-18
UPDATED DATE	01-24-22

DRAWN BY:	ITS
DATE:	03/09/2022
PLAN NO.	2183

HOUSE NAME:	MIDDLETON
DRAWING TITLE	SECOND FLOOR PLAN

SHEET No.	A3.2
-----------	------



SECTION I

SCALE: 1/8" = 1'-0"

MASTER PLAN INFORMATION	
REVISION	DATE
R1	10-12-18
DATE	01-24-22
UPDATED DATE	

DRAWN BY:	ITS
DATE:	03/09/2022
PLAN NO.	2183

DRB GROUP
FIELDING
DRB Central

HOUSE NAME:
MIDDLETON

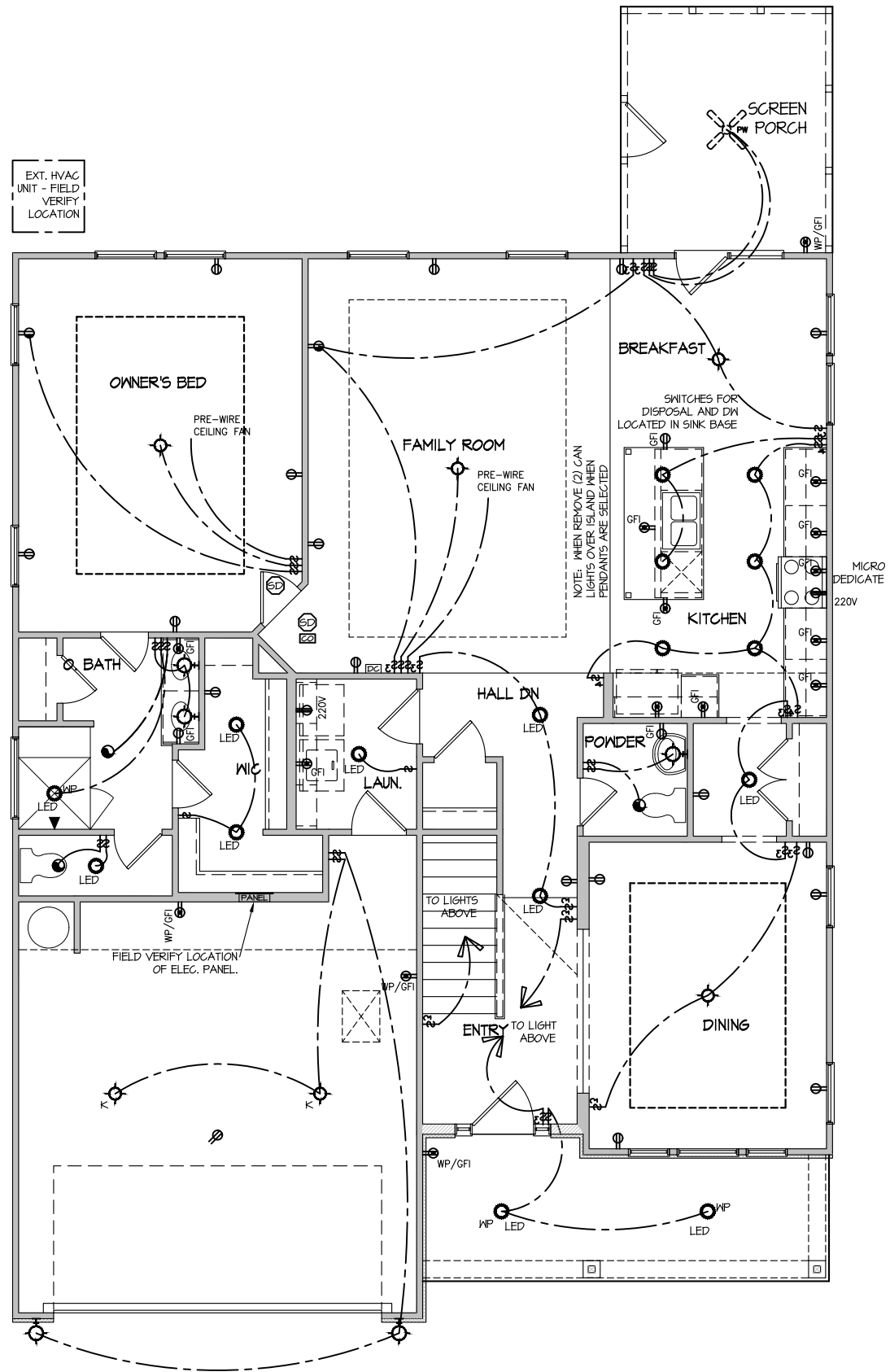
DRAWING TITLE
BUILDING SECTION

SHEET No.
A4.1

ELECTRICAL LEGEND

- ⊘ SINGLE POLE SWITCH
- ⊘₃ THREE WAY SWITCH
- ⊘₄ FOUR WAY SWITCH
- ⊕ DUPLEX AFCI RECEPTACLE
- ⊕₁ DUPLEX AFCI RECEPTACLE - BOTTOM HALF SWITCHED
- ⊕₂ DUPLEX AFCI RECEPTACLE - FLOOR MOUNTED
- 220V ⊕ RECEPTACLE - 220V
- GFI ⊕ DUPLEX AFCI RECEPTACLE - GFI
- WP/GFI ⊕ DUPLEX AFCI RECEPTACLE - WATERPROOF GFI
- ⊕_{SD} SMOKE DETECTOR - WIRED IN SERIES
- ⊕_{EF} EXHAUST FAN MOTOR
- ⊕_{CO} CO DETECTOR
- ⊕_{DC} DOOR CHIME
- ⊕_{LM} LIGHT FIXTURE - WALL MOUNTED
- ⊕_{LC} LIGHT FIXTURE - CEILING MOUNTED
- ⊕_{RC} LIGHT FIXTURE - RECESSED CAN
- ⊕_{LSM} LIGHT FIXTURE - LED SURFACE MOUNTED
- ⊕_{PL} FULLCHAIN LAMPHOLDER
- ⊕_K KEYLESS LAMPHOLDER

NOTE: ALL ELECTRICAL WORK SHALL CONFORM TO THE REQUIREMENTS OF THE ADOPTED VERSION OF THE NATIONAL ELECTRICAL CODE, THE LOCAL POWER COMPANY AND TO ALL APPLICABLE LOCAL REGULATIONS.



**ELECTRICAL PLAN
FIRST FLOOR - ELEV. 4**
SCALE: 1/8" = 1'-0"

MASTER PLAN INFORMATION	
REVISION DATE	UPDATED DATE
R1 RALE 10-12-18	01-24-22

DRAWN BY:	ITS
DATE:	03/09/2022
PLAN NO.	2183

HOUSE NAME:
MIDDLETON

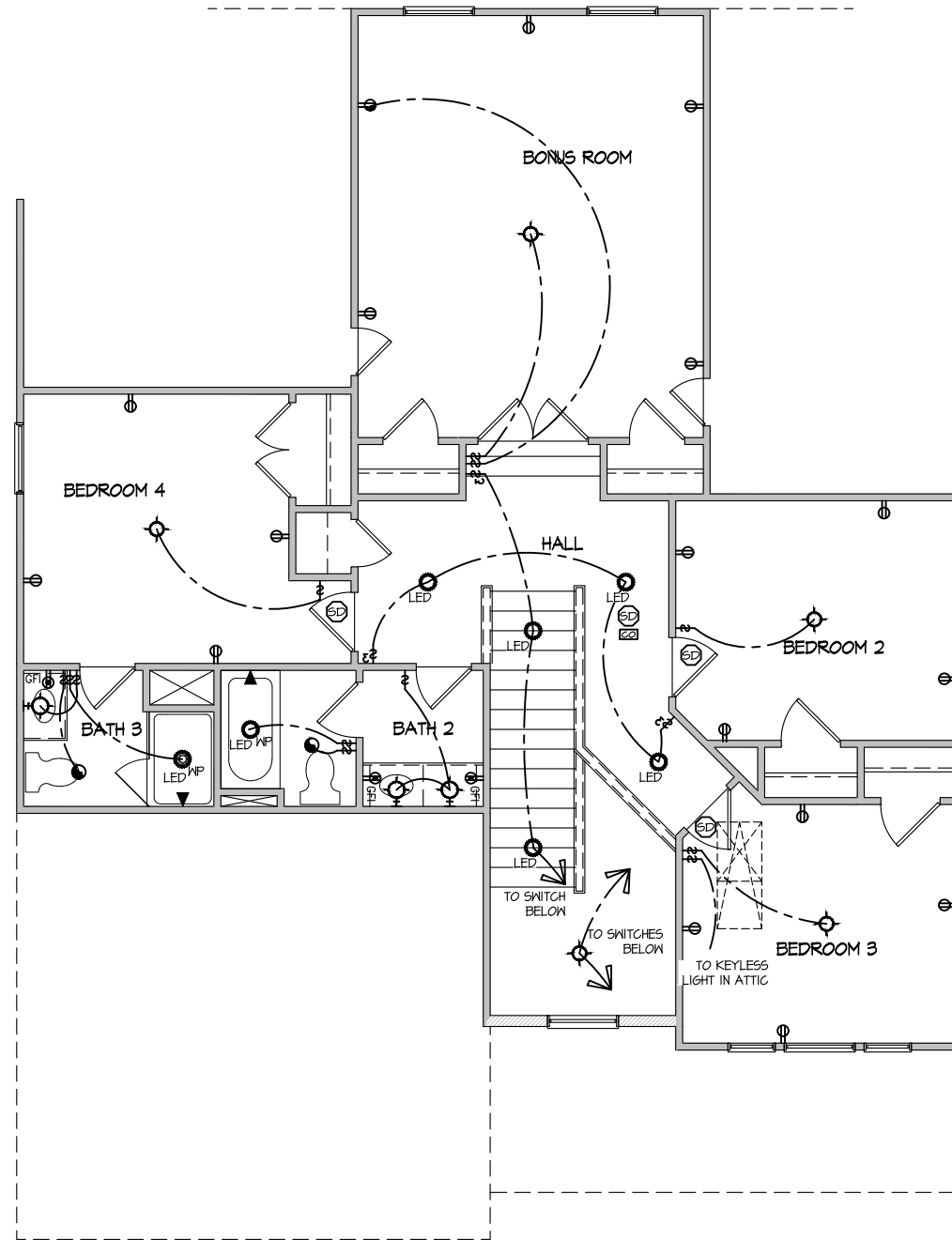
DRAWING TITLE
FIRST FLOOR ELECTRICAL

SHEET No.
E.I.

ELECTRICAL LEGEND

- Ⓢ SINGLE POLE SWITCH
- Ⓢ₃ THREE WAY SWITCH
- Ⓢ₄ FOUR WAY SWITCH
- ⓈⓈ DUPLEX AFCI RECEPTACLE
- ⓈⓈⓈ DUPLEX AFCI RECEPTACLE - BOTTOM HALF SWITCHED
- ⓈⓈⓈ DUPLEX AFCI RECEPTACLE - FLOOR MOUNTED
- 220V Ⓢ RECEPTACLE - 220V
- GF ⓈⓈ DUPLEX AFCI RECEPTACLE - GFI
- WP/GF ⓈⓈ DUPLEX AFCI RECEPTACLE - WATERPROOF GFI
- ⓈⓈ SMOKE DETECTOR - WIRED IN SERIES
- Ⓢ EXHAUST FAN MOTOR
- Ⓢ CO DETECTOR
- Ⓢ DOOR CHIME
- Ⓢ LIGHT FIXTURE - WALL MOUNTED
- Ⓢ LIGHT FIXTURE - CEILING MOUNTED
- Ⓢ LIGHT FIXTURE - RECESSED CAN
- LED Ⓢ LIGHT FIXTURE - LED SURFACE MOUNTED
- Ⓢ_F FULLCHAIN LAMPHOLDER
- Ⓢ_K KEYLESS LAMPHOLDER

NOTE: ALL ELECTRICAL WORK SHALL CONFORM TO THE REQUIREMENTS OF THE ADOPTED VERSION OF THE NATIONAL ELECTRICAL CODE, THE LOCAL POWER COMPANY AND TO ALL APPLICABLE LOCAL REGULATIONS.



**ELECTRICAL PLAN
SECOND FLOOR - ELEV. 4**
SCALE: 1/8" = 1'-0"

MASTER PLAN INFORMATION	
REVISION	DATE
R1	10-12-18
UPDATED DATE	01-24-22

DRAWN BY: ITS
DATE: 03/09/2022
PLAN NO. 2183

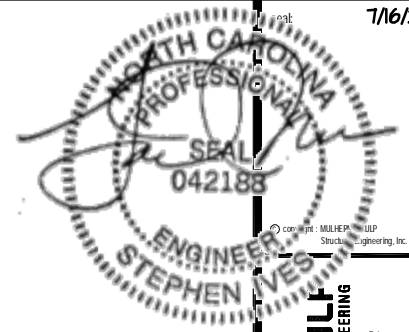
HOUSE NAME: MIDDLETON
DRAWING TITLE: SECOND FLOOR ELECTRICAL

SHEET No. E1.2

REFER TO S.O. FOR
TYPICAL STRUCTURAL NOTES
& SCHEDULES

LEGEND

- INTERIOR BEARING WALL
- BEARING WALL ABOVE
- BEAM / HEADER
- INDICATES SHEAR WALL & EXTENT
- EXTENT OF OVERFRAMING
- JL METAL HANGER
- INDICATES POST ABOVE. PROVIDE SOLID BLOCKING UNDER POST OR JAMB ABOVE.
- INDICATES HOLD-DOWN OR STRAP. REFER TO SCHEDULE.



MULHERN+KULT
RESIDENTIAL STRUCTURAL ENGINEERING
300 Broadway Ave. Building 4 - number: PA 19002
P 215-948-9801 • mulhern+kult.com
NC LIC. # C-3825

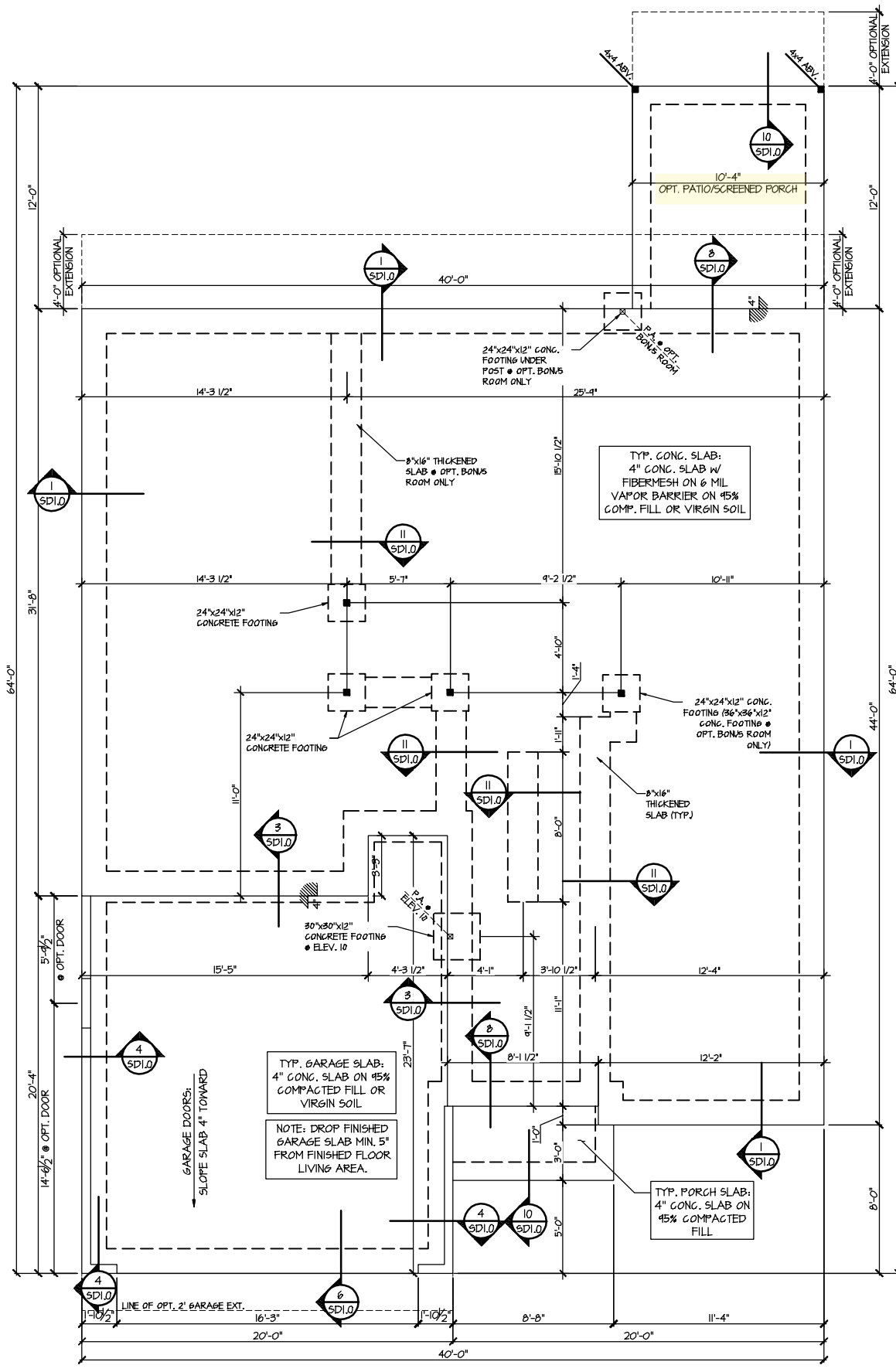
M&K project number:
126-21018
project mgr: JTR
drawn by: MDH
issue date: 07-16-21

REVISIONS:
date: initia:

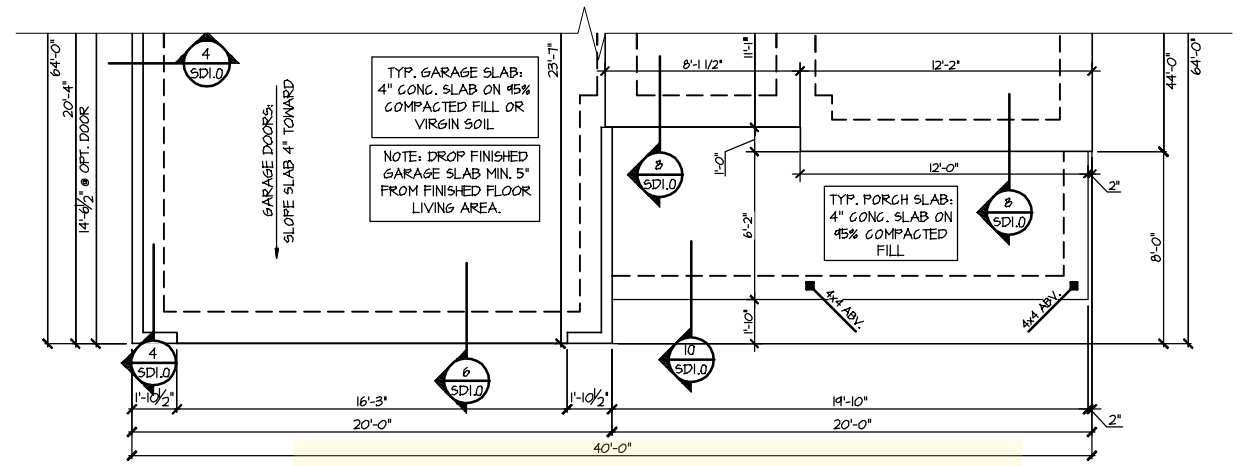


Foundation Plans
MIDDLETON MODEL
RALEIGH, NC

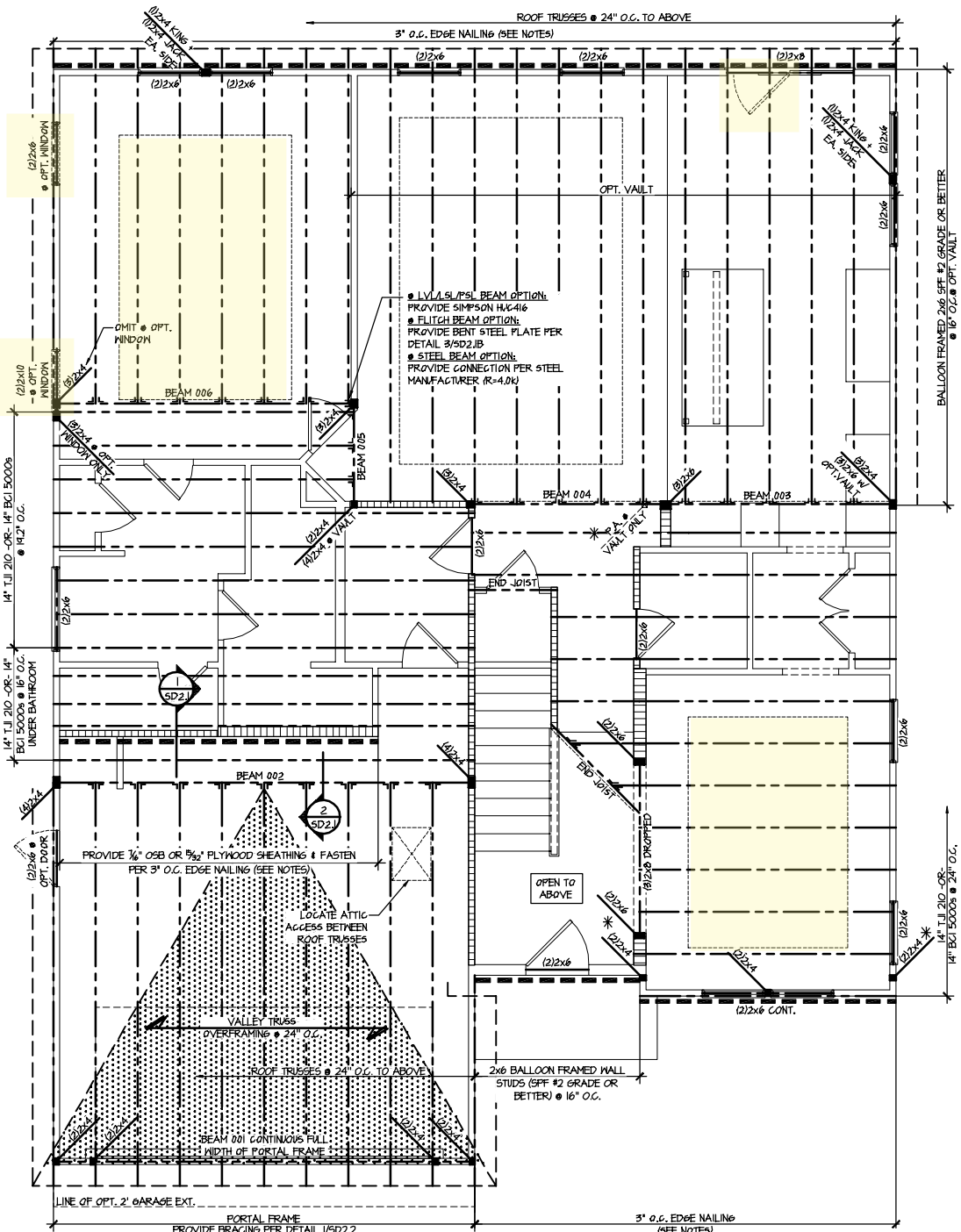
sheet: Left Hand
S1.0



1 MONO SLAB FOUNDATION PLAN
SCALE: 1/8"=1'-0"
ELEVATION #1
OPTIONAL SCREENED PORCH SHOWN



3 PARTIAL MONO SLAB FOUNDATION PLAN
SCALE: 1/8"=1'-0"
ELEVATION #4



1 2ND FLOOR FRAMING PLAN - I-JOISTS
 SCALE: 1/8"=1'-0"
 ELEVATION #1

ENGINEERED BEAM MATERIAL SCHEDULE					
BEAM NUMBER	LVL OPTION	PSL OPTION	LSL OPTION	FLITCH OPTION	STEEL OPTION
001	(2) 9/4" x 11 1/2" - H	3/2" x 11 1/2" - H	(2) 9/4" x 11 1/2" - H	(2) 2x12 + (1) 1/2" x 11 1/2" STEEL FLITCH PLATE - H	N/A
001A	(2) 9/4" x 11 1/2" - H	3/2" x 11 1/2" - H	(2) 9/4" x 11 1/2" - H	(2) 2x12 + (1) 1/2" x 11 1/2" STEEL FLITCH PLATE - H	N/A
002	(2) 9/4" x 10" - FT	3/2" x 10" - FT	N/A	(2) 2x12 + (2) 1/2" x 10" STEEL FLITCH PLATES - FB	W8x14 - F
003	(2) 9/4" x 14" - F	3/2" x 14" - F	(2) 9/4" x 14" - F	(2) 2x12 + (1) 1/2" x 14" STEEL FLITCH PLATE - FB	W8x14 - F
004	(2) 9/4" x 14" - F	3/2" x 14" - F	(2) 9/4" x 14" - F	(2) 2x12 + (1) 1/2" x 14" STEEL FLITCH PLATE - FB	W8x14 - F
005	(2) 9/4" x 14" - F	3/2" x 14" - F	(2) 9/4" x 14" - F	(2) 2x12 + (1) 1/2" x 14" STEEL FLITCH PLATE - FB	W8x14 - F
006	(2) 9/4" x 14" - F	3/2" x 14" - F	(2) 9/4" x 14" - F	(2) 2x12 + (1) 1/2" x 14" STEEL FLITCH PLATE - FB	W8x14 - F
007	(2) 9/4" x 11 1/2" - F	3/2" x 11 1/2" - F	(2) 9/4" x 11 1/2" - F	(2) 2x12 + (1) 1/2" x 11 1/2" STEEL FLITCH PLATE - FB	W8x12 - F
008	(2) 9/4" x 14" - F	3/2" x 14" - F	(2) 9/4" x 14" - F	(2) 2x12 + (1) 1/2" x 14" STEEL FLITCH PLATE - FB	W8x14 - F
009	(3) 9/4" x 10" - FT	3/2" x 10" - FT	N/A	(4) 2x12 + (3) 1/2" x 10" STEEL FLITCH PLATES - FB	W8x26 - F
010	(3) 9/4" x 20" - FT	3/2" x 20" - FT	N/A	(4) 2x12 + (3) 3/2" x 20" STEEL FLITCH PLATES - FB	W8x35 - F
011	(2) 9/4" x 11 1/2" - FB	3/2" x 11 1/2" - FB	(2) 9/4" x 14" - FB	(2) 2x12 + (1) 1/2" x 11 1/2" STEEL FLITCH PLATE - FB	W8x12 - FB

BEAM NOTATION:
 - "F" INDICATES FLUSH BEAM
 - "FT" INDICATES FLUSH TOP BEAM
 - "FB" INDICATES FLUSH BOTTOM BEAM
 - "D" INDICATES DROPPED BEAM
 - "H" INDICATES DROPPED OPENING HEADER
 - REFER TO DETAIL D/SD2.0 FOR TYPICAL FLITCH BEAM CONNECTIONS
 - REFER TO DETAIL E/SD2.0 FOR TYPICAL STEEL BEAM CONNECTIONS
 - FOR FLUSH TOP BEAMS PROVIDE 2X STACKED PLATES BENEATH BEAM AS REQ'D. FASTEN PLATES IN SUCCESSION W/ (2) 3"x0.120" NAILS @ 8" O.C.
 - FOR FLUSH BOTTOM BEAMS PROVIDE 2X STACKED PLATES ATOP BEAM AS REQ'D. FASTEN PLATES IN SUCCESSION W/ (2) 3"x0.120" NAILS @ 8" O.C.

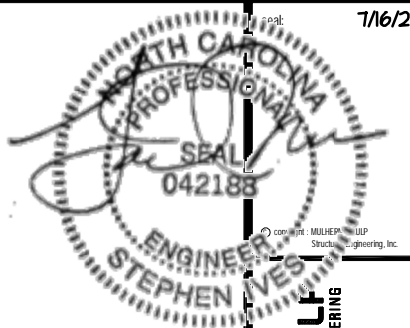
LEGEND

- ▬ INTERIOR BEARING WALL
- ▬ BEARING WALL ABOVE
- ▬ BEAM / HEADER
- ▬ INDICATES SHEAR WALL & EXTENT
- ▬ EXTENT OF OVERFRAMING
- JL METAL HANGER
- ▬ INDICATES POST ABOVE. PROVIDE SOLID BLOCKING UNDER POST OR JAMB ABOVE.
- ▬ INDICATES HOLD-DOWN OR STRAP. REFER TO SCHEDULE.

REFER TO SO.0 FOR TYPICAL STRUCTURAL NOTES & SCHEDULES

SD2.0 & SD2.1 REFERS TO SD2.0J & SD2.1J FOR I-JOIST FLOOR FRAMING OR SD2.0T & SD2.1T FOR TRUSS FLOOR FRAMING

SD2.1J/SD2.1T REFERS TO SD2.1JA/SD2.1TA FOR LVL/PSL/LSL BEAMS OR SD2.1JB/SD2.1TB FOR FLITCH BEAMS OR SD2.1JC/SD2.1TC FOR STEEL BEAMS



MULHERN+KULF
 RESIDENTIAL STRUCTURAL ENGINEERING
 300 Brookside Ave. Building 4 • Arden, NC 28702
 P 215-946-8001 • mulhern+kulf.com
 NC LIC. #C-3825

MAK project number: 126-21018

project mgr: JTR
 drawn by: MDH
 issue date: 07-16-21

REVISIONS:
 date: initial

DRB
 DRB GROUP
 DRB BUILDING
 DRB GROUP

Floor Framing Plans
 MIDDLETON MODEL
 RALEIGH, NC

ENGINEERED BEAM MATERIAL SCHEDULE

BEAM NUMBER	LVL OPTION	PSL OPTION	LSL OPTION	FLITCH OPTION	STEEL OPTION
001	(2) 1 1/2" x 1 1/4" - H	3/4" x 1 1/4" - H	(2) 1 1/4" x 1 1/4" - H	(2) 2x12 + (1) 1/2" x 1/4" STEEL FLITCH PLATE - H	N/A
001A	(2) 1 1/2" x 1 1/4" - H	3/4" x 1 1/4" - H	(2) 1 1/4" x 1 1/4" - H	(2) 2x12 + (1) 1/2" x 1/4" STEEL FLITCH PLATE - H	N/A
002	(2) 1 1/2" x 1 1/4" - FT	3/4" x 1 1/4" - FT	N/A	(3) 2x12 + (2) 1/2" x 1/4" STEEL FLITCH PLATES - FB	W2x14 - F
003	(2) 1 1/2" x 1 1/4" - F	3/4" x 1 1/4" - F	(2) 1 1/4" x 1 1/4" - F	(2) 2x12 + (1) 1/2" x 1/4" STEEL FLITCH PLATE - FB	W2x14 - F
004	(2) 1 1/2" x 1 1/4" - F	3/4" x 1 1/4" - F	(2) 1 1/4" x 1 1/4" - F	(2) 2x12 + (1) 1/2" x 1/4" STEEL FLITCH PLATE - FB	W2x14 - F
005	(2) 1 1/2" x 1 1/4" - F	3/4" x 1 1/4" - F	(2) 1 1/4" x 1 1/4" - F	(2) 2x12 + (1) 1/2" x 1/4" STEEL FLITCH PLATE - FB	W2x14 - F
006	(2) 1 1/2" x 1 1/4" - F	3/4" x 1 1/4" - F	(2) 1 1/4" x 1 1/4" - F	(2) 2x12 + (1) 1/2" x 1/4" STEEL FLITCH PLATE - FB	W2x14 - F
007	(2) 1 1/2" x 1 1/4" - F	3/4" x 1 1/4" - F	(2) 1 1/4" x 1 1/4" - F	(2) 2x12 + (1) 1/2" x 1/4" STEEL FLITCH PLATE - F	W10x12 - F
008	(2) 1 1/2" x 1 1/4" - F	3/4" x 1 1/4" - F	(2) 1 1/4" x 1 1/4" - F	(2) 2x12 + (1) 1/2" x 1/4" STEEL FLITCH PLATE - FB	W2x14 - F
009	(3) 1 1/2" x 1 1/4" - FT	3/4" x 1 1/4" - FT	N/A	(4) 2x12 + (3) 1/2" x 1/4" STEEL FLITCH PLATES - FB	W2x26 - F
010	(3) 1 1/2" x 20" - FT	3/4" x 20" - FT	N/A	(4) 2x12 + (3) 1/2" x 1/4" STEEL FLITCH PLATES - FB	W2x35 - F
011	(2) 1 1/2" x 1 1/4" - FB	3/4" x 1 1/4" - FB	(2) 1 1/4" x 1 1/4" - FB	(2) 2x12 + (1) 1/2" x 1/4" STEEL FLITCH PLATE - FB	W10x12 - FB

- BEAM NOTATION:
 - "F" INDICATES FLUSH BEAM
 - "FT" INDICATES FLUSH TOP BEAM
 - "FB" INDICATES FLUSH BOTTOM BEAM
 - "D" INDICATES DROPPED BEAM
 - "H" INDICATES DROPPED OPENING HEADER
- REFER TO DETAIL D/SD2.0 FOR TYPICAL FLITCH BEAM CONNECTIONS
- REFER TO DETAIL E/SD2.0 FOR TYPICAL STEEL BEAM CONNECTIONS
- FOR FLUSH TOP BEAMS PROVIDE 2X STACKED PLATES BENEATH BEAM AS REQ'D. FASTEN PLATES IN SUCCESSION W/ (2) 3" X 0.120" NAILS @ 8" O.C.
- FOR FLUSH BOTTOM BEAMS PROVIDE 2X STACKED PLATES ATOP BEAM AS REQ'D. FASTEN PLATES IN SUCCESSION W/ (2) 3" X 0.120" NAILS @ 8" O.C.

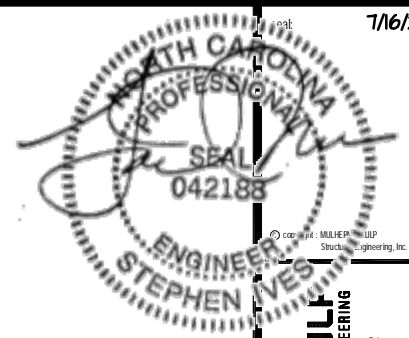
LEGEND

- INTERIOR BEARING WALL
- BEARING WALL ABOVE
- BEAM / HEADER
- INDICATES SHEAR WALL & EXTENT
- EXTENT OF OVERFRAMING
- JL METAL HANGER
- INDICATES POST ABOVE. PROVIDE SOLID BLOCKING UNDER POST OR JAMB ABOVE.
- INDICATES HOLD-DOWN OR STRAP. REFER TO SCHEDULE.

REFER TO SO.O FOR TYPICAL STRUCTURAL NOTES & SCHEDULES

SD2.0 & SD2.1 REFERS TO SD2.0J & SD2.1J FOR I-JOIST FLOOR FRAMING OR SD2.0T & SD2.1T FOR TRUSS FLOOR FRAMING

SD2.1J/SD2.1T REFERS TO SD2.1JA/SD2.1TA FOR LVL/PSL/LSL BEAMS OR SD2.1JB/SD2.1TB FOR FLITCH BEAMS OR SD2.1JC/SD2.1TC FOR STEEL BEAMS

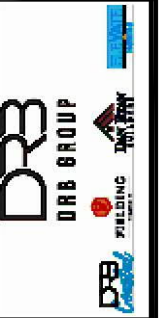


MULHERN+KULT
 RESIDENTIAL STRUCTURAL ENGINEERING
 300 Riverside Ave. Building 4 - number: PA 19002
 P215-646-9807 - mulhernkg.com
 NC LIC. # C-3825

M&K project number: 126-21018
 project mgr: JTR
 drawn by: MDH
 issue date: 07-16-21

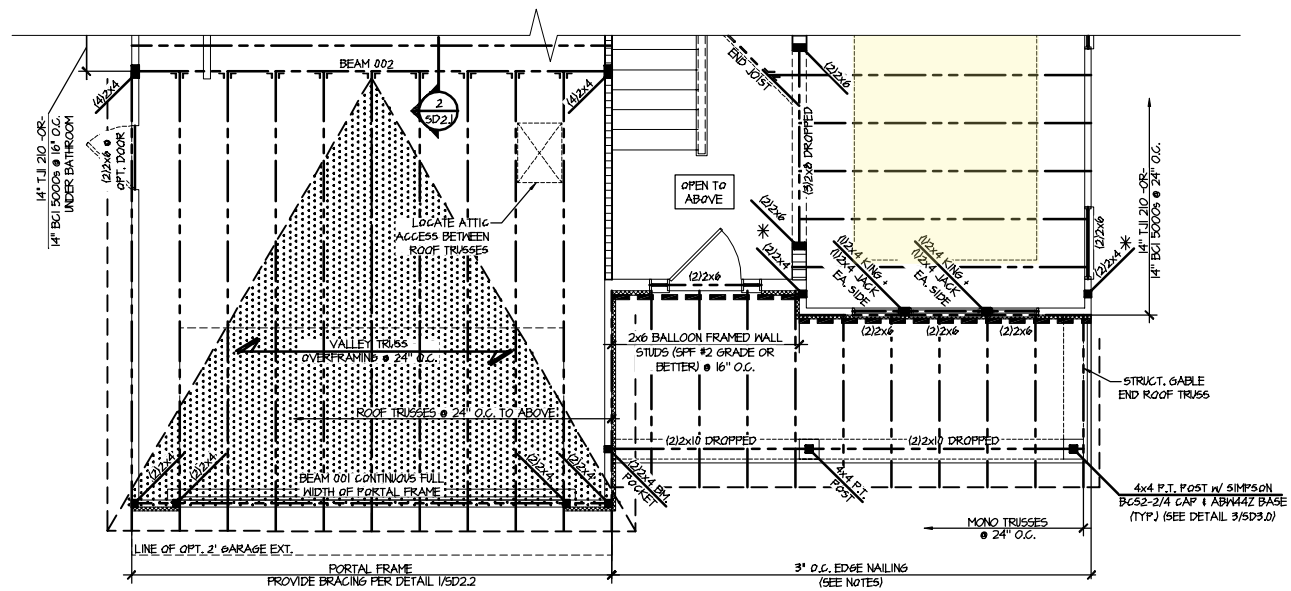
REVISIONS:

date:	initial:

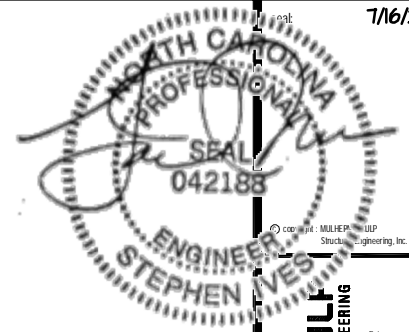


Floor Framing Plans
 MIDDLETON MODEL
 RALEIGH, NC

sheet: Left Hand
S3.1J



2 PARTIAL 2ND FLOOR FRAMING PLAN - I-JOIST
 SCALE: 1/8"=1'-0"
 ELEVATION #4



MULHERN+KULT
RESIDENTIAL STRUCTURAL ENGINEERING
300 Riverside Ave. Building 1 - number PA 19022
P.O. Box 984-9807 - mulhernkg.com
NC LIC. #C-3825

ENGINEERED BEAM MATERIAL SCHEDULE

BEAM NUMBER	LVL OPTION	PSL OPTION	LSL OPTION	FLITCH OPTION	STEEL OPTION
001	(2)1 1/2"x1 1/2" - H	3/2"x1 1/2" - H	(2)1 1/2"x1 1/2" - H	(2)2"x12" + (1) 1/2"x1 1/2" STEEL FLITCH PLATE - H	N/A
001A	(2)1 1/2"x1 1/2" - H	3/2"x1 1/2" - H	(2)1 1/2"x1 1/2" - H	(2)2"x12" + (1) 1/2"x1 1/2" STEEL FLITCH PLATE - H	N/A
002	(2)1 1/2"x1 1/2" - FT	3/2"x1 1/2" - FT	N/A	(2)2"x12" + (2) 1/2"x1 1/2" STEEL FLITCH PLATES - FB	N2x14 - F
003	(2)1 1/2"x1 1/2" - F	3/2"x1 1/2" - F	(2)1 1/2"x1 1/2" - F	(2)2"x12" + (1) 1/2"x1 1/2" STEEL FLITCH PLATE - FB	N2x14 - F
004	(2)1 1/2"x1 1/2" - F	3/2"x1 1/2" - F	(2)1 1/2"x1 1/2" - F	(2)2"x12" + (1) 1/2"x1 1/2" STEEL FLITCH PLATE - FB	N2x14 - F
005	(2)1 1/2"x1 1/2" - F	3/2"x1 1/2" - F	(2)1 1/2"x1 1/2" - F	(2)2"x12" + (1) 1/2"x1 1/2" STEEL FLITCH PLATE - FB	N2x14 - F
006	(2)1 1/2"x1 1/2" - F	3/2"x1 1/2" - F	(2)1 1/2"x1 1/2" - F	(2)2"x12" + (1) 1/2"x1 1/2" STEEL FLITCH PLATE - FB	N2x14 - F
007	(2)1 1/2"x1 1/2" - F	3/2"x1 1/2" - F	(2)1 1/2"x1 1/2" - F	(2)2"x12" + (1) 1/2"x1 1/2" STEEL FLITCH PLATE - F	N10x12 - F
008	(2)1 1/2"x1 1/2" - F	3/2"x1 1/2" - F	(2)1 1/2"x1 1/2" - F	(2)2"x12" + (1) 1/2"x1 1/2" STEEL FLITCH PLATE - FB	N2x14 - F
009	(3)1 1/2"x1 1/2" - FT	5/4"x1 1/2" - FT	N/A	(4)2"x12" + (3) 1/2"x1 1/2" STEEL FLITCH PLATES - FB	N2x26 - F
010	(3)1 1/2"x1 1/2" - FT	5/4"x1 1/2" - FT	N/A	(4)2"x12" + (3) 1/2"x1 1/2" STEEL FLITCH PLATES - FB	N2x35 - F
011	(2)1 1/2"x1 1/2" - FB	3/2"x1 1/2" - FB	(2)1 1/2"x1 1/2" - FB	(2)2"x12" + (1) 1/2"x1 1/2" STEEL FLITCH PLATE - FB	N10x12 - FB

LEGEND

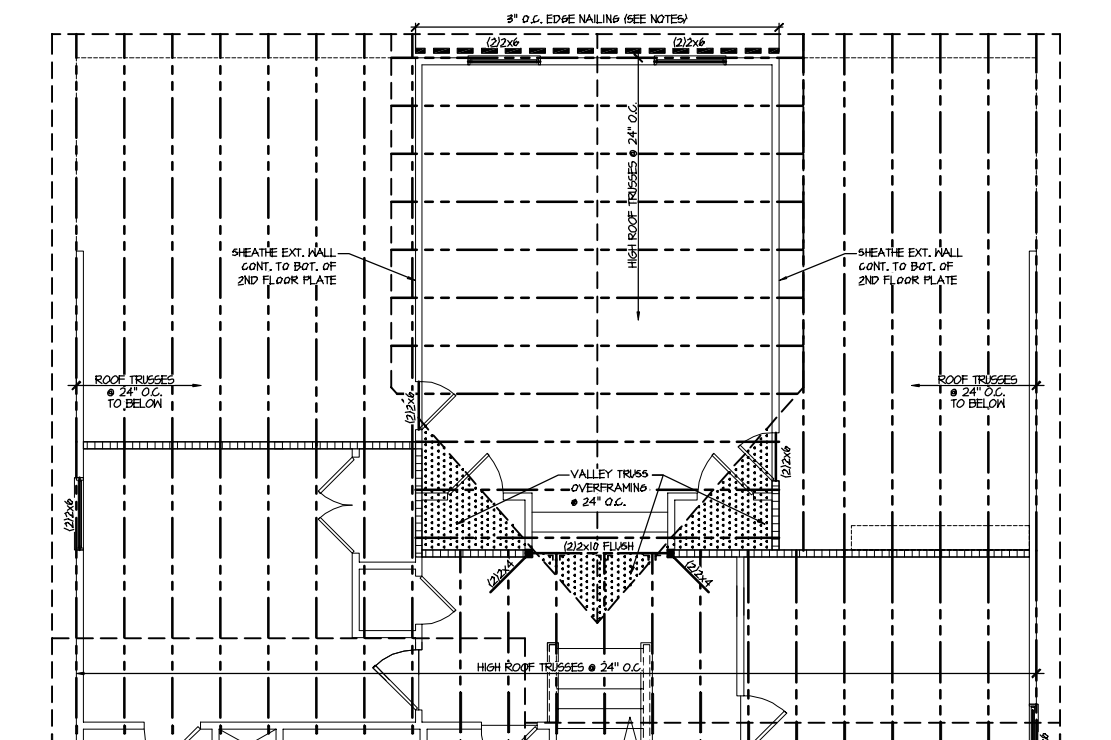
- ▬ INTERIOR BEARING WALL
- ▬ BEARING WALL ABOVE
- ▬ BEAM / HEADER
- ▬ INDICATES SHEAR WALL & EXTENT
- ▬ EXTENT OF OVERFRAMING
- JL METAL HANGER
- * INDICATES POST ABOVE. PROVIDE SOLID BLOCKING UNDER POST OR JAMB ABOVE.
- ▶ INDICATES HOLD-DOWN OR STRAP. REFER TO SCHEDULE.

REFER TO SO.0 FOR TYPICAL STRUCTURAL NOTES & SCHEDULES

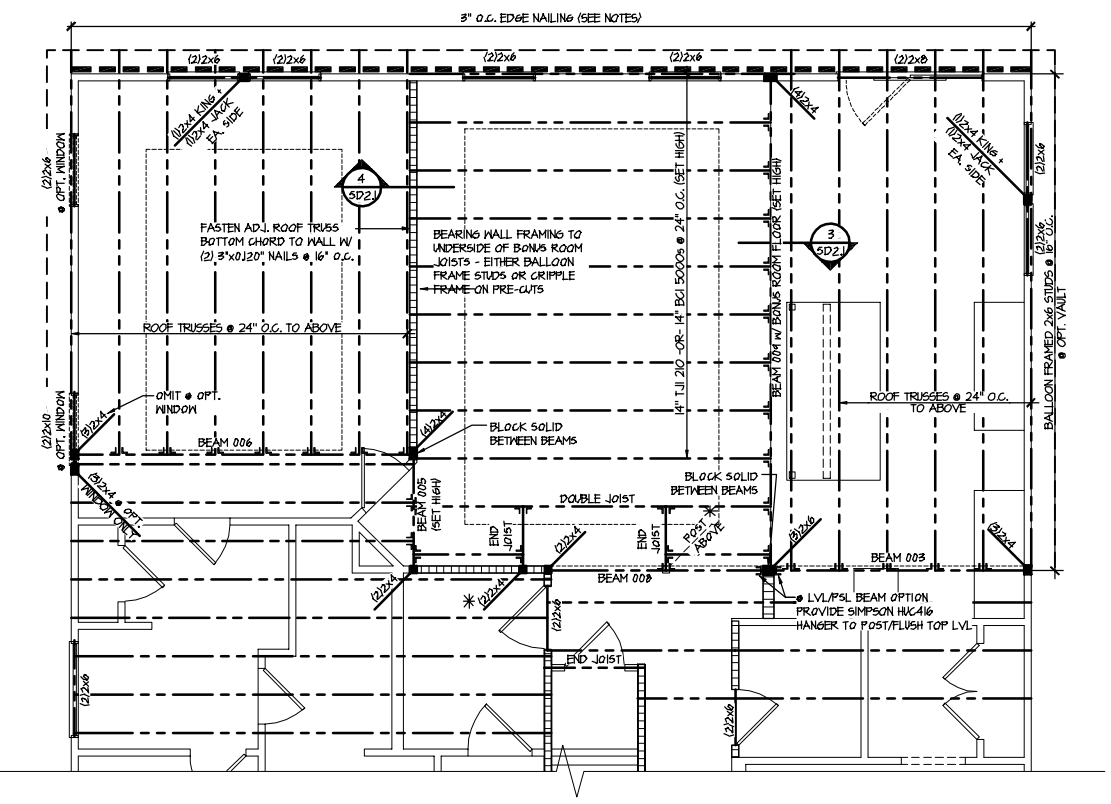
SD2.0 & SD2.1 REFERS TO SD2.0J & SD2.1J FOR I-JOIST FLOOR FRAMING OR SD2.0T & SD2.1T FOR TRUSS FLOOR FRAMING

SD2.1J/SD2.1T REFERS TO SD2.1JA/SD2.1TA FOR LVL/PSL/LSL BEAMS OR SD2.1JB/SD2.1TB FOR FLITCH BEAMS OR SD2.1JC/SD2.1TC FOR STEEL BEAMS

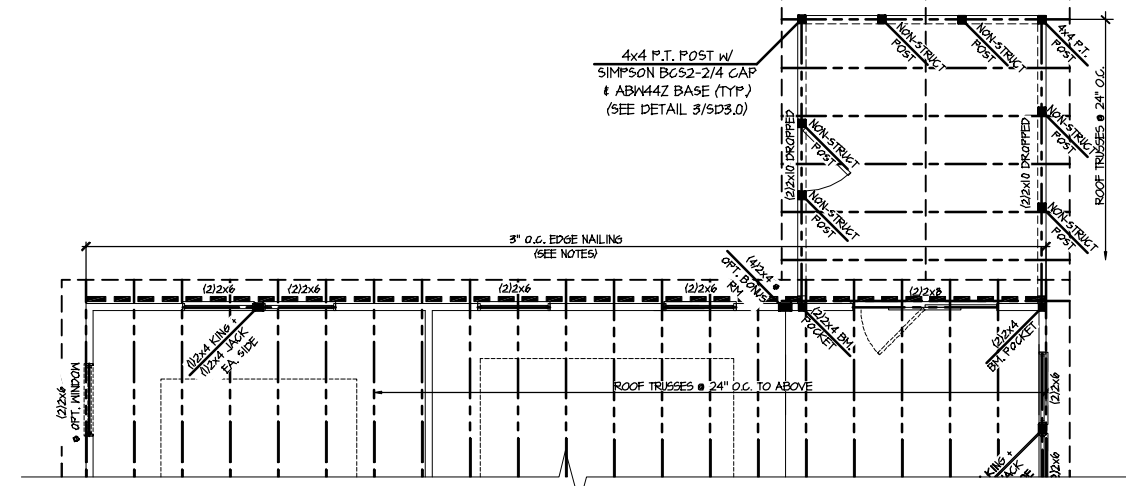
- BEAM NOTATION:**
- "F" INDICATES FLUSH BEAM
 - "FT" INDICATES FLUSH TOP BEAM
 - "FB" INDICATES FLUSH BOTTOM BEAM
 - "D" INDICATES DROPPED BEAM
 - "H" INDICATES DROPPED OPENING HEADER
 - REFER TO DETAIL D/SD2.0 FOR TYPICAL FLITCH BEAM CONNECTIONS
 - REFER TO DETAIL E/SD2.0 FOR TYPICAL STEEL BEAM CONNECTIONS
 - FOR FLUSH TOP BEAMS PROVIDE 2X STACKED PLATES BENEATH BEAM AS REQ'D. FASTEN PLATES IN SUCCESSION W/ (2) 3"x0.120" NAILS @ 8" O.C.
 - FOR FLUSH BOTTOM BEAMS PROVIDE 2X STACKED PLATES ATOP BEAM AS REQ'D. FASTEN PLATES IN SUCCESSION W/ (2) 3"x0.120" NAILS @ 8" O.C.



1 PARTIAL ROOF FRAMING PLAN OPTIONAL BONUS ROOM - I-JOISTS
SCALE: 1/8"=1'-0"
ELEV. #1 SHOWN - ALL ELEV. SIM.
OPT. REAR 4' EXT. SIM.



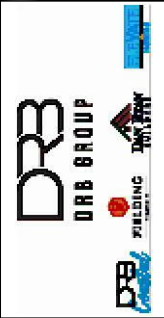
2 PARTIAL SECOND FLOOR FRAMING PLAN OPTIONAL BONUS ROOM - I-JOISTS
SCALE: 1/8"=1'-0"
ELEV. #1 SHOWN - ALL ELEV. SIM.



4 PARTIAL 2ND FLOOR FRAMING PLAN OPTIONAL SCREENED PORCH - I-JOISTS
SCALE: 1/8"=1'-0"
ELEV. #1 SHOWN - ALL ELEV. SIM.

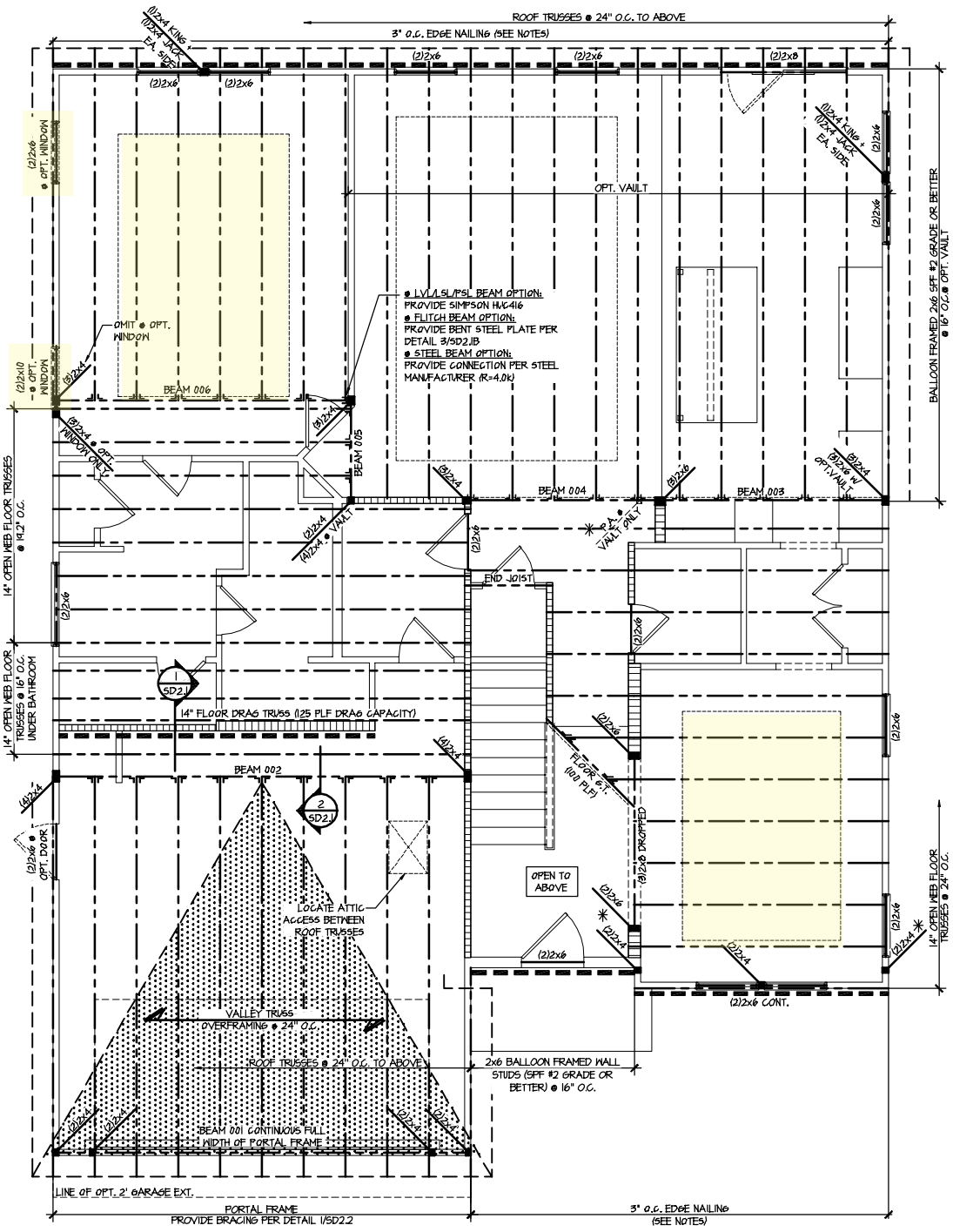
M&K project number: 126-21018
project mgr: JTR
drawn by: MDH
issue date: 07-16-21

REVISIONS:
date: initial



Option Framing Plans
MIDDLETON MODEL
RALEIGH, NC

sheet: Left Hand
S5.0J



2ND FLOOR FRAMING PLAN - TRUSSES
 SCALE: 1/8"=1'-0"
 ELEVATION #1

ENGINEERED BEAM MATERIAL SCHEDULE					
BEAM NUMBER	LVL OPTION	PSL OPTION	LSL OPTION	FLITCH OPTION	STEEL OPTION
001	(2) 5/4" x 11 1/8" - H	3/2" x 11 1/8" - H	(2) 5/4" x 11 1/8" - H	(2) 2x12 + (1) 1/2" x 11 1/8" STEEL FLITCH PLATE - H	N/A
001A	(2) 5/4" x 11 1/8" - H	3/2" x 11 1/8" - H	(2) 5/4" x 11 1/8" - H	(2) 2x12 + (1) 1/2" x 11 1/8" STEEL FLITCH PLATE - H	N/A
002	(2) 5/4" x 10" - FT	5/4" x 10" - FT	N/A	(3) 2x12 + (2) 1/2" x 10" STEEL FLITCH PLATES - FB	W2x14 - F
003	(2) 5/4" x 14" - F	3/2" x 14" - F	(2) 5/4" x 14" - F	(2) 2x12 + (1) 1/2" x 14" STEEL FLITCH PLATE - FB	W2x14 - F
004	(2) 5/4" x 14" - F	3/2" x 14" - F	(2) 5/4" x 14" - F	(2) 2x12 + (1) 1/2" x 14" STEEL FLITCH PLATE - FB	W2x14 - F
005	(2) 5/4" x 14" - F	3/2" x 14" - F	(2) 5/4" x 14" - F	(2) 2x12 + (1) 1/2" x 14" STEEL FLITCH PLATE - FB	W2x14 - F
006	(2) 5/4" x 14" - F	3/2" x 14" - F	(2) 5/4" x 14" - F	(2) 2x12 + (1) 1/2" x 14" STEEL FLITCH PLATE - FB	W2x14 - F
007	(2) 5/4" x 11 1/8" - F	3/2" x 11 1/8" - F	(2) 5/4" x 11 1/8" - F	(2) 2x12 + (1) 1/2" x 11 1/8" STEEL FLITCH PLATE - FB	W2x12 - F
008	(2) 5/4" x 14" - F	3/2" x 14" - F	(2) 5/4" x 14" - F	(2) 2x12 + (1) 1/2" x 14" STEEL FLITCH PLATE - FB	W2x14 - F
009	(3) 5/4" x 10" - FT	5/4" x 10" - FT	N/A	(4) 2x12 + (3) 1/2" x 10" STEEL FLITCH PLATES - FB	W2x26 - F
010	(3) 5/4" x 20" - FT	5/4" x 20" - FT	N/A	(4) 2x12 + (3) 3/4" x 20" STEEL FLITCH PLATES - FB	W2x35 - F
011	(2) 5/4" x 11 1/8" - FB	3/2" x 11 1/8" - FB	(2) 5/4" x 14" - FB	(2) 2x12 + (1) 1/2" x 11 1/8" STEEL FLITCH PLATE - FB	W2x12 - FB

BEAM NOTATION:

- "F" INDICATES FLUSH BEAM
- "FT" INDICATES FLUSH TOP BEAM
- "FB" INDICATES FLUSH BOTTOM BEAM
- "D" INDICATES DROPPED BEAM
- "H" INDICATES DROPPED OPENING HEADER
- REFER TO DETAIL D/SD2.0 FOR TYPICAL FLITCH BEAM CONNECTIONS
- REFER TO DETAIL E/SD2.0 FOR TYPICAL STEEL BEAM CONNECTIONS
- FOR FLUSH TOP BEAMS PROVIDE 2X STACKED PLATES BENEATH BEAM AS REQ'D. FASTEN PLATES IN SUCCESSION W/ (2) 3"x0.120" NAILS @ 8" O.C.
- FOR FLUSH BOTTOM BEAMS PROVIDE 2X STACKED PLATES ATOP BEAM AS REQ'D. FASTEN PLATES IN SUCCESSION W/ (2) 3"x0.120" NAILS @ 8" O.C.

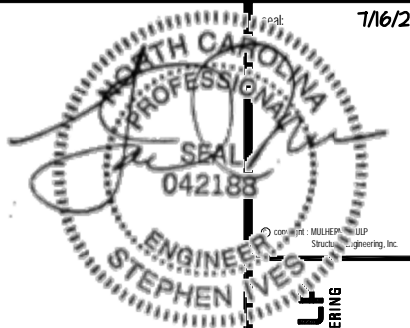
LEGEND

- ▬ INTERIOR BEARING WALL
- ▬ BEARING WALL ABOVE
- ▬ BEAM / HEADER
- ▬ INDICATES SHEAR WALL & EXTENT
- ▬ EXTENT OF OVERFRAMING
- JL METAL HANGER
- ▬ INDICATES POST ABOVE. PROVIDE SOLID BLOCKING UNDER POST OR JAMB ABOVE.
- ▬ INDICATES HOLD-DOWN OR STRAP. REFER TO SCHEDULE.

REFER TO SO.0 FOR TYPICAL STRUCTURAL NOTES & SCHEDULES

SD2.0 & SD2.1 REFERS TO SD2.0J & SD2.1J FOR I-JOIST FLOOR FRAMING OR SD2.0T & SD2.1T FOR TRUSS FLOOR FRAMING

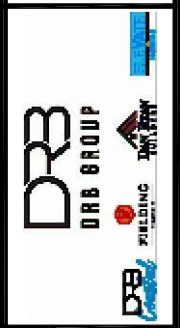
SD2.1J/SD2.1T REFERS TO SD2.1JA/SD2.1TA FOR LVL/PSL/LSL BEAMS OR SD2.1JB/SD2.1TB FOR FLITCH BEAMS OR SD2.1JC/SD2.1TC FOR STEEL BEAMS



MULHERN+KULF
 RESIDENTIAL STRUCTURAL ENGINEERING
 300 Brookside Ave. Building 4 • Amber, PA 15002
 P 215-946-8001 • mulhern+kulf.com
 NC LIC. #C-3825

M&K project number: 126-21018
 project mgr: JTR
 drawn by: MDH
 issue date: 07-16-21

REVISIONS:
 date: initial



Floor Framing Plans
 MIDDLETON MODEL
 RALEIGH, NC

ENGINEERED BEAM MATERIAL SCHEDULE

BEAM NUMBER	LVL OPTION	PSL OPTION	LSL OPTION	FLITCH OPTION	STEEL OPTION
001	(2)3/4"x17/8" - H	3/4"x17/8" - H	(2)3/4"x17/8" - H	(2)2x12 + (1) 1/2"x11/2" STEEL FLITCH PLATE - H	N/A
001A	(2)3/4"x17/8" - H	3/4"x17/8" - H	(2)3/4"x17/8" - H	(2)2x12 + (1) 1/2"x11/2" STEEL FLITCH PLATE - H	N/A
002	(2)3/4"x18" - FT	5/4"x18" - FT	N/A	(3)2x12 + (2) 1/2"x11/2" STEEL FLITCH PLATES - FB	W12x14 - F
003	(2)3/4"x14" - F	3/4"x14" - F	(2)3/4"x14" - F	(2)2x12 + (1) 1/2"x11/2" STEEL FLITCH PLATE - FB	W12x14 - F
004	(2)3/4"x14" - F	3/4"x14" - F	(2)3/4"x14" - F	(2)2x12 + (1) 1/2"x11/2" STEEL FLITCH PLATE - FB	W12x14 - F
005	(2)3/4"x14" - F	3/4"x14" - F	(2)3/4"x14" - F	(2)2x12 + (1) 1/2"x11/2" STEEL FLITCH PLATE - FB	W12x14 - F
006	(2)3/4"x14" - F	3/4"x14" - F	(2)3/4"x14" - F	(2)2x12 + (1) 1/2"x11/2" STEEL FLITCH PLATE - FB	W12x14 - F
007	(2)3/4"x17/8" - F	3/4"x17/8" - F	(2)3/4"x17/8" - F	(2)2x12 + (1) 1/2"x11/2" STEEL FLITCH PLATE - F	W10x12 - F
008	(2)3/4"x14" - F	3/4"x14" - F	(2)3/4"x14" - F	(2)2x12 + (1) 1/2"x11/2" STEEL FLITCH PLATE - FB	W12x14 - F
009	(3)3/4"x18" - FT	5/4"x18" - FT	N/A	(4)2x12 + (3) 1/2"x11/2" STEEL FLITCH PLATES - FB	W12x26 - F
010	(3)3/4"x20" - FT	5/4"x20" - FT	N/A	(4)2x12 + (3) 1/2"x11/2" STEEL FLITCH PLATES - FB	W12x35 - F
011	(2)3/4"x17/8" - FB	3/4"x17/8" - FB	(2)3/4"x14" - FB	(2)2x12 + (1) 1/2"x11/2" STEEL FLITCH PLATE - FB	W10x12 - FB

- BEAM NOTATION:
 - "F" INDICATES FLUSH BEAM
 - "FT" INDICATES FLUSH TOP BEAM
 - "FB" INDICATES FLUSH BOTTOM BEAM
 - "D" INDICATES DROPPED BEAM
 - "H" INDICATES DROPPED OPENING HEADER
- REFER TO DETAIL D/SD2.0 FOR TYPICAL FLITCH BEAM CONNECTIONS
- REFER TO DETAIL E/SD2.0 FOR TYPICAL STEEL BEAM CONNECTIONS
- FOR FLUSH TOP BEAMS PROVIDE 2X STACKED PLATES BENEATH BEAM AS REQ'D. FASTEN PLATES IN SUCCESSION W/ (2) 3"x0.120" NAILS @ 8" O.C.
- FOR FLUSH BOTTOM BEAMS PROVIDE 2X STACKED PLATES ATOP BEAM AS REQ'D. FASTEN PLATES IN SUCCESSION W/ (2) 3"x0.120" NAILS @ 8" O.C.

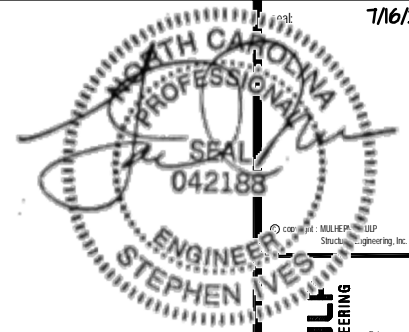
LEGEND

- INTERIOR BEARING WALL
- BEARING WALL ABOVE
- BEAM / HEADER
- INDICATES SHEAR WALL & EXTENT
- EXTENT OF OVERFRAMING
- JL METAL HANGER
- INDICATES POST ABOVE. PROVIDE SOLID BLOCKING UNDER POST OR JAMB ABOVE.
- INDICATES HOLD-DOWN OR STRAP. REFER TO SCHEDULE.

REFER TO SO.O FOR TYPICAL STRUCTURAL NOTES & SCHEDULES

SD2.0 & SD2.1 REFERS TO SD2.0J & SD2.1J FOR I-JOIST FLOOR FRAMING OR SD2.0T & SD2.1T FOR TRUSS FLOOR FRAMING

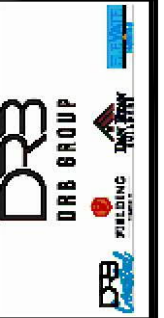
SD2.1J/SD2.1T REFERS TO SD2.1JA/SD2.1TA FOR LVL/PSL/LSL BEAMS OR SD2.1JB/SD2.1TB FOR FLITCH BEAMS OR SD2.1JC/SD2.1TC FOR STEEL BEAMS



MULHERN+KULT
 RESIDENTIAL STRUCTURAL ENGINEERING
 300 Riverside Ave. Building 4 - number: PA 18002
 P215-646-9001 - mulhern@mk.com
 NC LIC. #C-3825

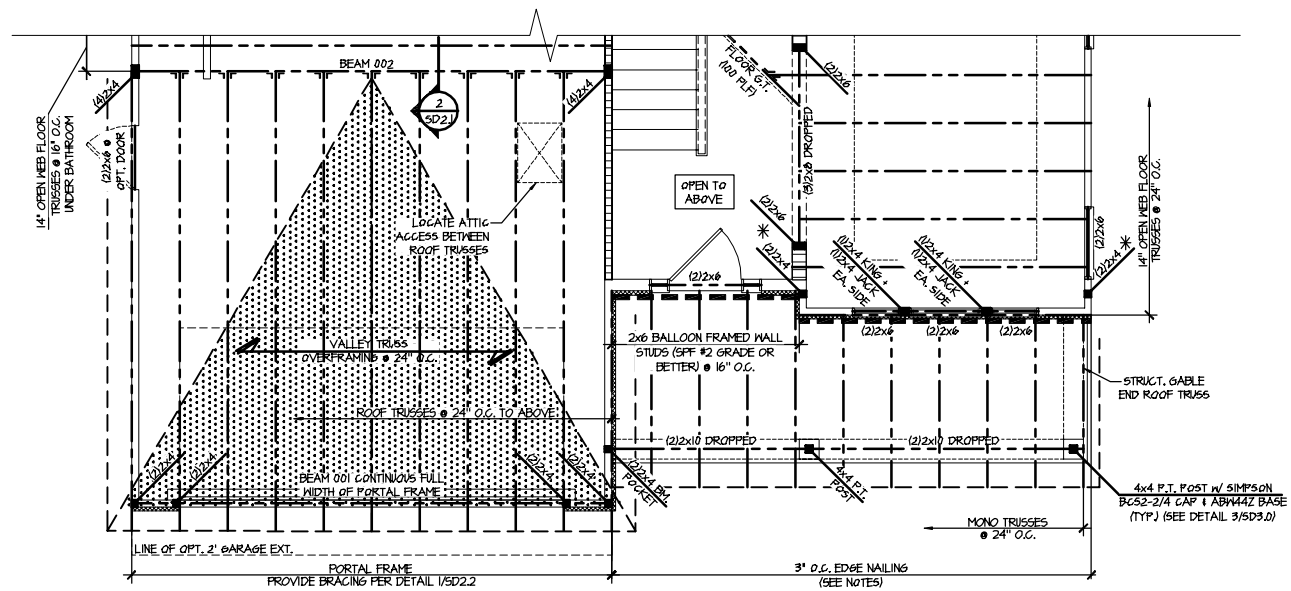
M&K project number: 126-21018
 project mgr: JTR
 drawn by: MDH
 issue date: 07-16-21

REVISIONS:
 date: initial

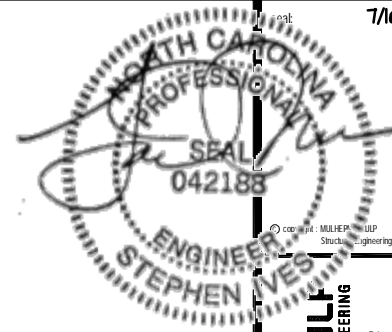


Floor Framing Plans
 MIDDLETON MODEL
 RALEIGH, NC

sheet: Left Hand
S3.1T



2 PARTIAL 2ND FLOOR FRAMING PLAN - TRUSSES
 SCALE: 1/8"=1'-0"
 ELEVATION #4



MULHERN+KULT
RESIDENTIAL STRUCTURAL ENGINEERING
300 Riverside Ave. Building 1 - Number PA 19022
P.O. Box 984807 - Raleigh, NC 27608
N.C. LIC. # C-3825

ENGINEERED BEAM MATERIAL SCHEDULE					
BEAM NUMBER	LVL OPTION	PSL OPTION	LSL OPTION	FLITCH OPTION	STEEL OPTION
001	(2)1 1/2"x1 1/2" - H	3/2"x1 1/2" - H	(2)1 1/2"x1 1/2" - H	(2)2x12 + (1) 1/2"x1 1/2" STEEL FLITCH PLATE - H	N/A
001A	(2)1 1/2"x1 1/2" - H	3/2"x1 1/2" - H	(2)1 1/2"x1 1/2" - H	(2)2x12 + (1) 1/2"x1 1/2" STEEL FLITCH PLATE - H	N/A
002	(2)1 1/2"x1 1/2" - FT	3/2"x1 1/2" - FT	N/A	(2)2x12 + (2) 1/2"x1 1/2" STEEL FLITCH PLATES - FB	N2x14 - F
003	(2)1 1/2"x1 1/2" - F	3/2"x1 1/2" - F	(2)1 1/2"x1 1/2" - F	(2)2x12 + (1) 1/2"x1 1/2" STEEL FLITCH PLATE - FB	N2x14 - F
004	(2)1 1/2"x1 1/2" - F	3/2"x1 1/2" - F	(2)1 1/2"x1 1/2" - F	(2)2x12 + (1) 1/2"x1 1/2" STEEL FLITCH PLATE - FB	N2x14 - F
005	(2)1 1/2"x1 1/2" - F	3/2"x1 1/2" - F	(2)1 1/2"x1 1/2" - F	(2)2x12 + (1) 1/2"x1 1/2" STEEL FLITCH PLATE - FB	N2x14 - F
006	(2)1 1/2"x1 1/2" - F	3/2"x1 1/2" - F	(2)1 1/2"x1 1/2" - F	(2)2x12 + (1) 1/2"x1 1/2" STEEL FLITCH PLATE - FB	N2x14 - F
007	(2)1 1/2"x1 1/2" - F	3/2"x1 1/2" - F	(2)1 1/2"x1 1/2" - F	(2)2x12 + (1) 1/2"x1 1/2" STEEL FLITCH PLATE - F	N10x12 - F
008	(2)1 1/2"x1 1/2" - F	3/2"x1 1/2" - F	(2)1 1/2"x1 1/2" - F	(2)2x12 + (1) 1/2"x1 1/2" STEEL FLITCH PLATE - FB	N2x14 - F
009	(2)1 1/2"x1 1/2" - FT	3/2"x1 1/2" - FT	N/A	(4)2x12 + (2) 1/2"x1 1/2" STEEL FLITCH PLATES - FB	N2x26 - F
010	(2)1 1/2"x1 1/2" - FT	3/2"x1 1/2" - FT	N/A	(4)2x12 + (2) 1/2"x1 1/2" STEEL FLITCH PLATES - FB	N2x35 - F
011	(2)1 1/2"x1 1/2" - FB	3/2"x1 1/2" - FB	(2)1 1/2"x1 1/2" - FB	(2)2x12 + (1) 1/2"x1 1/2" STEEL FLITCH PLATE - FB	N10x12 - FB

BEAM NOTATION:

- "F" INDICATES FLUSH BEAM
- "FT" INDICATES FLUSH TOP BEAM
- "FB" INDICATES FLUSH BOTTOM BEAM
- "D" INDICATES DROPPED BEAM
- "H" INDICATES DROPPED OPENING HEADER
- REFER TO DETAIL D/SD2.0 FOR TYPICAL FLITCH BEAM CONNECTIONS
- REFER TO DETAIL E/SD2.0 FOR TYPICAL STEEL BEAM CONNECTIONS
- FOR FLUSH TOP BEAMS PROVIDE 2X STACKED PLATES BENEATH BEAM AS REQ'D. FASTEN PLATES IN SUCCESSION W/ (2) 3"x0.120" NAILS @ 8" O.C.
- FOR FLUSH BOTTOM BEAMS PROVIDE 2X STACKED PLATES ATOP BEAM AS REQ'D. FASTEN PLATES IN SUCCESSION W/ (2) 3"x0.120" NAILS @ 8" O.C.

- LEGEND**
- Interior Bearing Wall
 - Bearing Wall Above
 - Beam / Header
 - Indicates Shear Wall & Extent
 - Extent of Overframing
 - JL Metal Hanger
 - Indicates Post Above. Provide Solid Blocking Under Post or Jamb Above.
 - Indicates Hold-Down or Strap. Refer to Schedule.

REFER TO SO.0 FOR TYPICAL STRUCTURAL NOTES & SCHEDULES

SD2.0 & SD2.1 REFERS TO SD2.0J & SD2.1J FOR I-JOIST FLOOR FRAMING OR SD2.0T & SD2.1T FOR TRUSS FLOOR FRAMING

SD2.1J/SD2.1T REFERS TO SD2.1JA/SD2.1TA FOR LVL/PSL/LSL BEAMS OR SD2.1JB/SD2.1TB FOR FLITCH BEAMS OR SD2.1JC/SD2.1TC FOR STEEL BEAMS

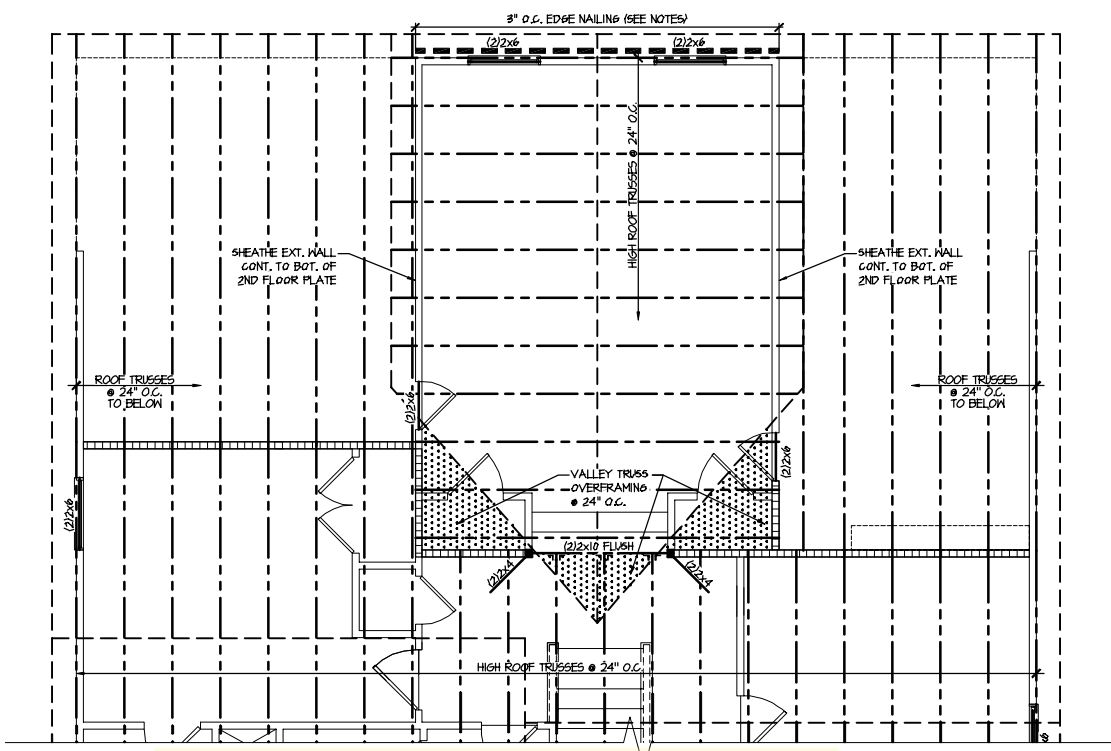
M&K project number: 126-21018
project mgr: JTR
drawn by: MDH
issue date: 07-16-21

REVISIONS:
date: initial

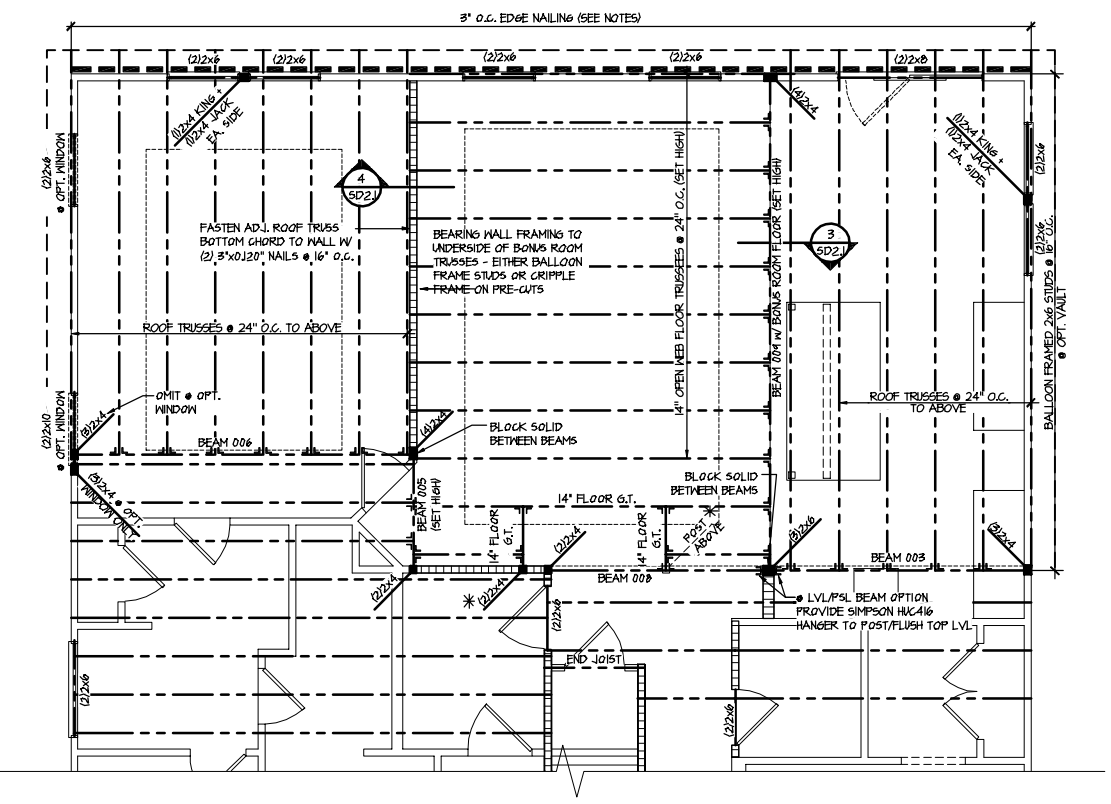


Option Framing Plans
MIDDLETON MODEL
RALEIGH, NC

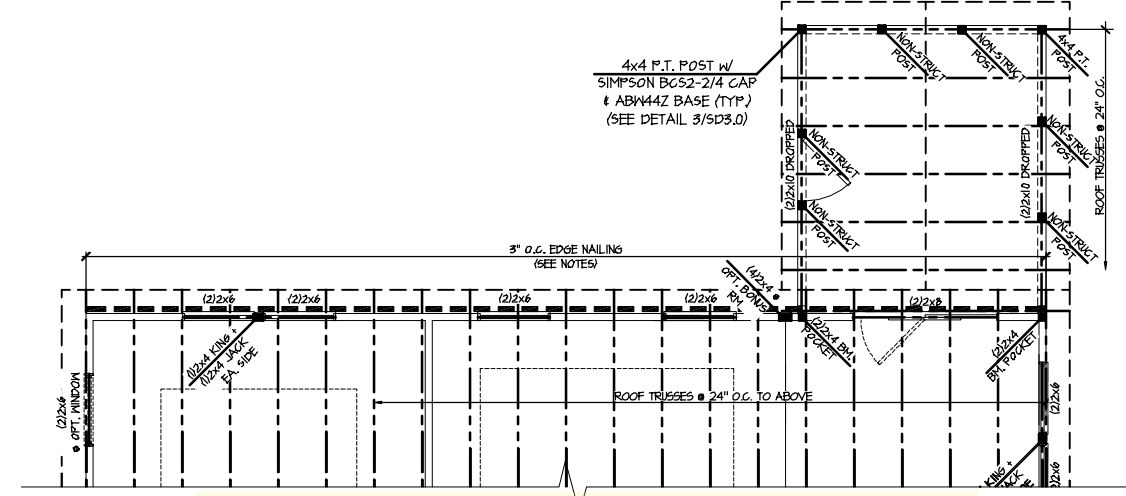
sheet: Left Hand
S5.0T



1 PARTIAL ROOF FRAMING PLAN OPTIONAL BONUS ROOM - TRUSSES
SCALE: 1/8"=1'-0"
ELEV. #1 SHOWN - ALL ELEV. SIM.
OPT. REAR 4' EXT. SIM.



2 PARTIAL SECOND FLOOR FRAMING PLAN OPTIONAL BONUS ROOM - TRUSSES
SCALE: 1/8"=1'-0"
ELEV. #1 SHOWN - ALL ELEV. SIM.



4 PARTIAL 2ND FLOOR FRAMING PLAN OPTIONAL SCREENED PORCH - TRUSSES
SCALE: 1/8"=1'-0"
ELEV. #1 SHOWN - ALL ELEV. SIM.

ENGINEERED BEAM MATERIAL SCHEDULE

BEAM NUMBER	LVL OPTION	PSL OPTION	LSL OPTION	FLITCH OPTION	STEEL OPTION
001	(2)3/4"x11 1/2" - H	3/4"x11 1/2" - H	(2)3/4"x11 1/2" - H	(2)2x12 + (1) 1/2"x11 1/2" STEEL FLITCH PLATE - H	N/A
001A	(2)3/4"x11 1/2" - H	3/4"x11 1/2" - H	(2)3/4"x11 1/2" - H	(2)2x12 + (1) 1/2"x11 1/2" STEEL FLITCH PLATE - H	N/A
002	(2)3/4"x10" - FT	3/4"x10" - FT	N/A	(3)2x12 + (2) 1/2"x10" STEEL FLITCH PLATES - FB	W12x14 - F
003	(2)3/4"x14" - F	3/4"x14" - F	(2)3/4"x14" - F	(2)2x12 + (1) 1/2"x14" STEEL FLITCH PLATE - FB	W12x14 - F
004	(2)3/4"x14" - F	3/4"x14" - F	(2)3/4"x14" - F	(2)2x12 + (1) 1/2"x14" STEEL FLITCH PLATE - FB	W12x14 - F
005	(2)3/4"x14" - F	3/4"x14" - F	(2)3/4"x14" - F	(2)2x12 + (1) 1/2"x14" STEEL FLITCH PLATE - FB	W12x14 - F
006	(2)3/4"x14" - F	3/4"x14" - F	(2)3/4"x14" - F	(2)2x12 + (1) 1/2"x14" STEEL FLITCH PLATE - FB	W12x14 - F
007	(2)3/4"x11 1/2" - F	3/4"x11 1/2" - F	(2)3/4"x11 1/2" - F	(2)2x12 + (1) 1/2"x11 1/2" STEEL FLITCH PLATE - F	W10x12 - F
008	(2)3/4"x14" - F	3/4"x14" - F	(2)3/4"x14" - F	(2)2x12 + (1) 1/2"x14" STEEL FLITCH PLATE - FB	W12x14 - F
009	(3)3/4"x10" - FT	3/4"x10" - FT	N/A	(4)2x12 + (3) 1/2"x10" STEEL FLITCH PLATES - FB	W12x26 - F
010	(3)3/4"x20" - FT	3/4"x20" - FT	N/A	(4)2x12 + (3) 1/2"x20" STEEL FLITCH PLATES - FB	W12x35 - F
011	(2)3/4"x11 1/2" - FB	3/4"x11 1/2" - FB	(2)3/4"x14" - FB	(2)2x12 + (1) 1/2"x11 1/2" STEEL FLITCH PLATE - FB	W10x12 - FB

- BEAM NOTATION:
 - "F" INDICATES FLUSH BEAM
 - "FT" INDICATES FLUSH TOP BEAM
 - "FB" INDICATES FLUSH BOTTOM BEAM
 - "D" INDICATES DROPPED BEAM
 - "H" INDICATES DROPPED OPENING HEADER
- REFER TO DETAIL D/SD2.0 FOR TYPICAL FLITCH BEAM CONNECTIONS
- REFER TO DETAIL E/SD2.0 FOR TYPICAL STEEL BEAM CONNECTIONS
- FOR FLUSH TOP BEAMS PROVIDE 2X STACKED PLATES BENEATH BEAM AS REQ'D. FASTEN PLATES IN SUCCESSION W/ (2) 3"x0.120" NAILS @ 8" O.C.
- FOR FLUSH BOTTOM BEAMS PROVIDE 2X STACKED PLATES ATOP BEAM AS REQ'D. FASTEN PLATES IN SUCCESSION W/ (2) 3"x0.120" NAILS @ 8" O.C.

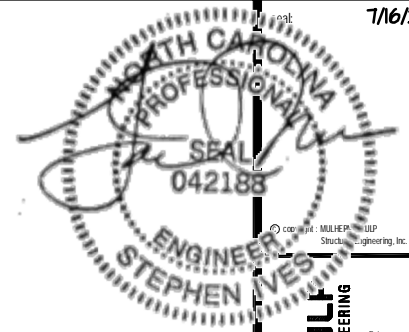
REFER TO S4.0 FOR TYPICAL STRUCTURAL NOTES & SCHEDULES

SD2.0 & SD2.1 REFERS TO SD2.0J & SD2.1J FOR I-JOIST FLOOR FRAMING OR SD2.0T & SD2.1T FOR TRUSS FLOOR FRAMING

SD2.1J/SD2.1T REFERS TO SD2.1JA/SD2.1TA FOR LVL/PSL/LSL BEAMS OR SD2.1JB/SD2.1TB FOR FLITCH BEAMS OR SD2.1JC/SD2.1TC FOR STEEL BEAMS

LEGEND

- INTERIOR BEARING WALL
- BEARING WALL ABOVE
- BEAM / HEADER
- INDICATES SHEAR WALL & EXTENT
- EXTENT OF OVERFRAMING
- JL METAL HANGER
- INDICATES POST ABOVE. PROVIDE SOLID BLOCKING UNDER POST OR JAMB ABOVE.
- INDICATES HOLD-DOWN OR STRAP. REFER TO SCHEDULE.



MULHERN+KULT
 RESIDENTIAL STRUCTURAL ENGINEERING
 300 Riverside Ave. Building 6 - number PA 19002
 252-846-9801 - mulhern@mk.com
 NC LIC. #C-3825

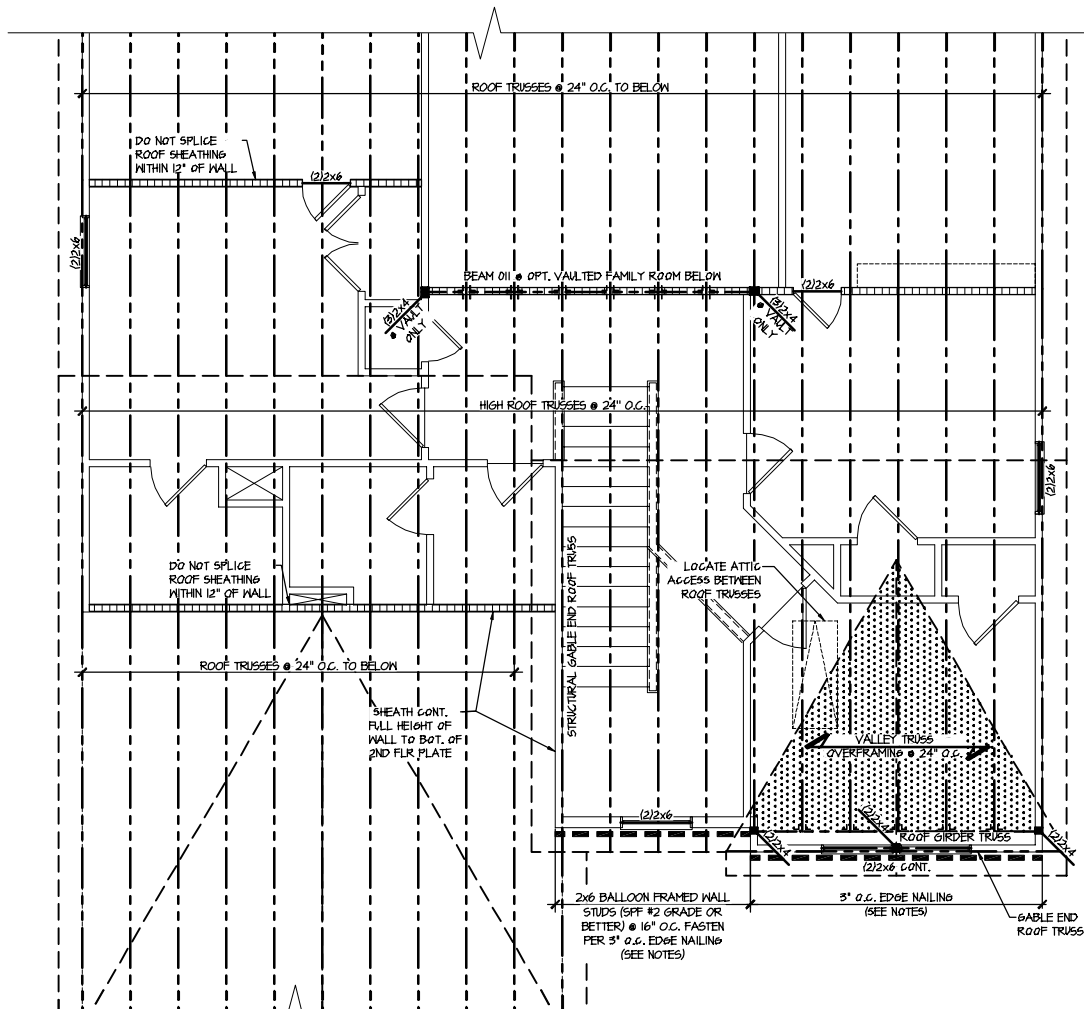
M&K project number: 126-21018
 project mgr: JTR
 drawn by: MDH
 issue date: 07-16-21

REVISIONS:
 date: initial:



Roof Framing Plans
 MIDDLETON MODEL
 RALEIGH, NC

sheet: Left Hand
S4.0



1 ROOF FRAMING PLAN
 SCALE: 1/8"=1'-0"
 ELEVATIONS 41

ENGINEERED BEAM MATERIAL SCHEDULE

BEAM NUMBER	LVL OPTION	PSL OPTION	LSL OPTION	FLITCH OPTION	STEEL OPTION
001	(2) 3/4" x 11 1/2" - H	3/4" x 11 1/2" - H	(2) 3/4" x 11 1/2" - H	(2) 2x12 + (1) 1/2" x 11 1/2" STEEL FLITCH PLATE - H	N/A
001A	(2) 3/4" x 11 1/2" - H	3/4" x 11 1/2" - H	(2) 3/4" x 11 1/2" - H	(2) 2x12 + (1) 1/2" x 11 1/2" STEEL FLITCH PLATE - H	N/A
002	(2) 3/4" x 10" - FT	3/4" x 10" - FT	N/A	(3) 2x12 + (2) 1/2" x 11 1/2" STEEL FLITCH PLATES - FB	W12x14 - F
003	(2) 3/4" x 14" - F	3/4" x 14" - F	(2) 3/4" x 14" - F	(2) 2x12 + (1) 1/2" x 11 1/2" STEEL FLITCH PLATE - FB	W12x14 - F
004	(2) 3/4" x 14" - F	3/4" x 14" - F	(2) 3/4" x 14" - F	(2) 2x12 + (1) 1/2" x 11 1/2" STEEL FLITCH PLATE - FB	W12x14 - F
005	(2) 3/4" x 14" - F	3/4" x 14" - F	(2) 3/4" x 14" - F	(2) 2x12 + (1) 1/2" x 11 1/2" STEEL FLITCH PLATE - FB	W12x14 - F
006	(2) 3/4" x 14" - F	3/4" x 14" - F	(2) 3/4" x 14" - F	(2) 2x12 + (1) 1/2" x 11 1/2" STEEL FLITCH PLATE - FB	W12x14 - F
007	(2) 3/4" x 11 1/2" - F	3/4" x 11 1/2" - F	(2) 3/4" x 11 1/2" - F	(2) 2x12 + (1) 1/2" x 11 1/2" STEEL FLITCH PLATE - F	W10x12 - F
008	(2) 3/4" x 14" - F	3/4" x 14" - F	(2) 3/4" x 14" - F	(2) 2x12 + (1) 1/2" x 11 1/2" STEEL FLITCH PLATE - FB	W12x14 - F
009	(3) 3/4" x 10" - FT	3/4" x 10" - FT	N/A	(4) 2x12 + (3) 1/2" x 11 1/2" STEEL FLITCH PLATES - FB	W12x26 - F
010	(3) 3/4" x 20" - FT	3/4" x 20" - FT	N/A	(4) 2x12 + (3) 1/2" x 11 1/2" STEEL FLITCH PLATES - FB	W12x35 - F
011	(2) 3/4" x 11 1/2" - FB	3/4" x 11 1/2" - FB	(2) 3/4" x 14" - FB	(2) 2x12 + (1) 1/2" x 11 1/2" STEEL FLITCH PLATE - FB	W10x12 - FB

- BEAM NOTATION:
 - "F" INDICATES FLUSH BEAM
 - "FT" INDICATES FLUSH TOP BEAM
 - "FB" INDICATES FLUSH BOTTOM BEAM
 - "D" INDICATES DROPPED BEAM
 - "H" INDICATES DROPPED OPENING HEADER
- REFER TO DETAIL D/SD2.0 FOR TYPICAL FLITCH BEAM CONNECTIONS
- REFER TO DETAIL E/SD2.0 FOR TYPICAL STEEL BEAM CONNECTIONS
- FOR FLUSH TOP BEAMS PROVIDE 2X STACKED PLATES BENEATH BEAM AS REQ'D. FASTEN PLATES IN SUCCESSION W/ (2) 3"x0.120" NAILS @ 8" O.C.
- FOR FLUSH BOTTOM BEAMS PROVIDE 2X STACKED PLATES ATOP BEAM AS REQ'D. FASTEN PLATES IN SUCCESSION W/ (2) 3"x0.120" NAILS @ 8" O.C.

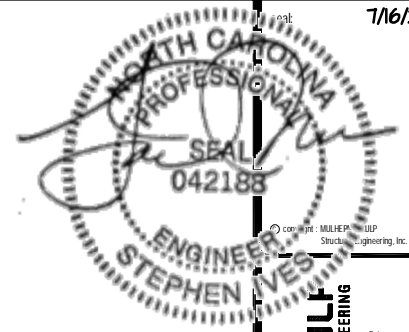
REFER TO S.O. FOR TYPICAL STRUCTURAL NOTES & SCHEDULES

SD2.0 & SD2.1 REFERS TO SD2.0J & SD2.1J FOR I-JOIST FLOOR FRAMING OR SD2.0T & SD2.1T FOR TRUSS FLOOR FRAMING

SD2.1J/SD2.1T REFERS TO SD2.1JA/SD2.1TA FOR LVL/PSL/LSL BEAMS OR SD2.1JB/SD2.1TB FOR FLITCH BEAMS OR SD2.1JC/SD2.1TC FOR STEEL BEAMS

LEGEND

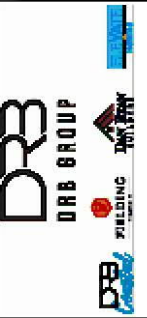
- INTERIOR BEARING WALL
- BEARING WALL ABOVE
- BEAM / HEADER
- INDICATES SHEAR WALL & EXTENT
- EXTENT OF OVERFRAMING
- JL METAL HANGER
- INDICATES POST ABOVE. PROVIDE SOLID BLOCKING UNDER POST OR JAMB ABOVE.
- INDICATES HOLD-DOWN OR STRAP. REFER TO SCHEDULE.



MULHERN+KULF
RESIDENTIAL STRUCTURAL ENGINEERING
300 Riverside Ave. Building 4 - number PA 19002
P 252-948-9801 - mulhern@mk.com
NC LIC. # C-3825

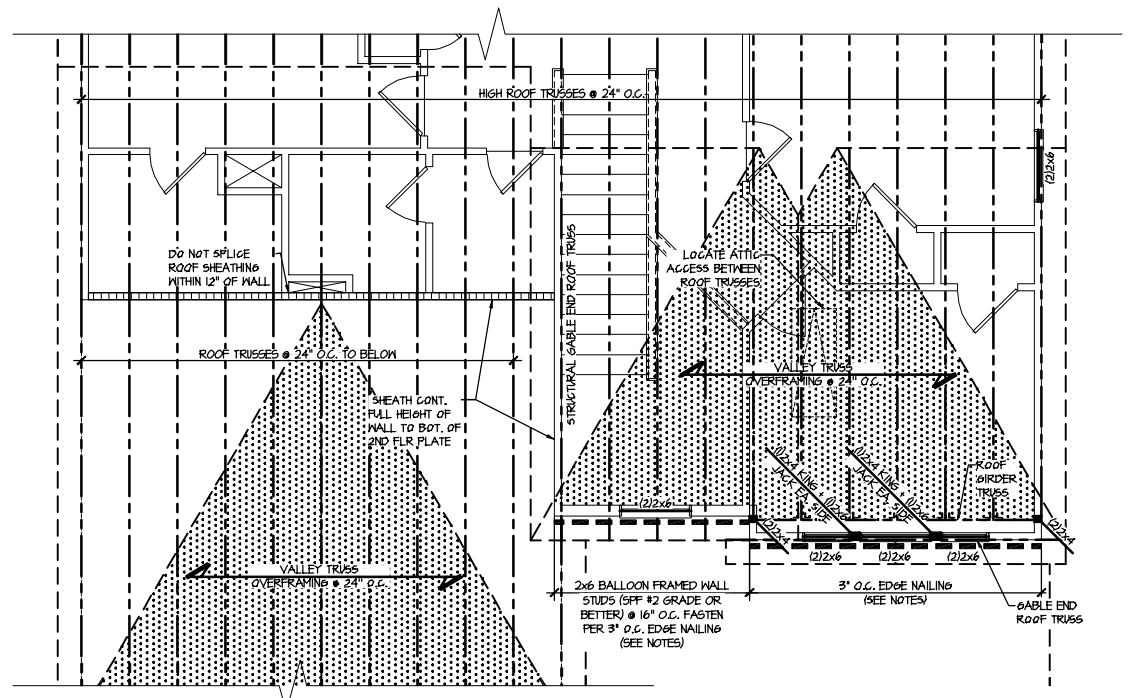
M&K project number: 126-21018
project mgr: JTR
drawn by: MDH
issue date: 07-16-21

REVISIONS:
date: initial:

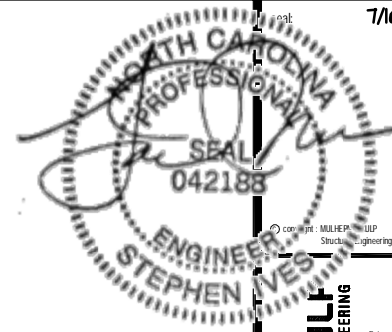


Roof Framing Plans
MIDDLETON MODEL
RALEIGH, NC

sheet: 1 LEFT Hand
S4.1



PARTIAL ROOF FRAMING PLAN
SCALE: 1/8"=1'-0"
ELEVATION #4



MULHERN+KULF
RESIDENTIAL STRUCTURAL ENGINEERING
300 Riverside Ave. Building 4 - Durham, PA 19002
P: 215-948-9001 F: mulhern+kulf.com
NC LIC. # C-3825



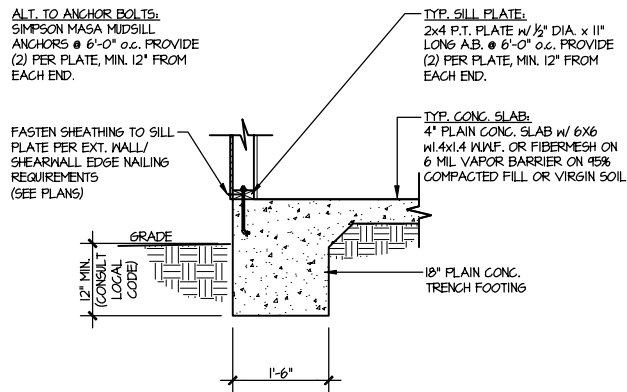
MSK project number:
126-21018
project mgr: JTR
drawn by: MDH
issue date: 07-16-21

REVISIONS:
date: initial

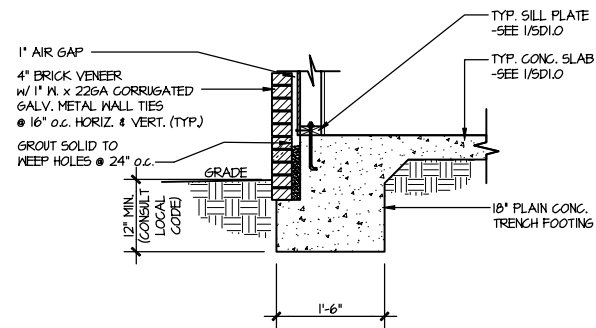


Foundation Details
MIDDLETON MODEL
RALEIGH, NC

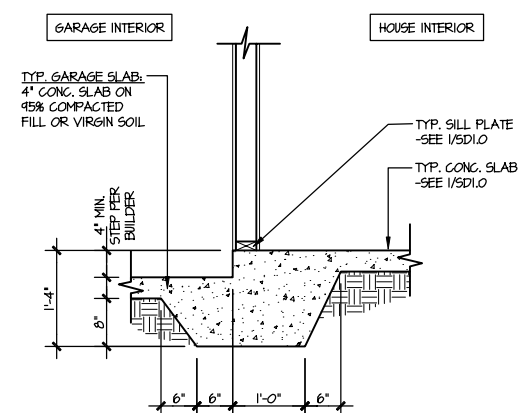
sheet:
SD1.0



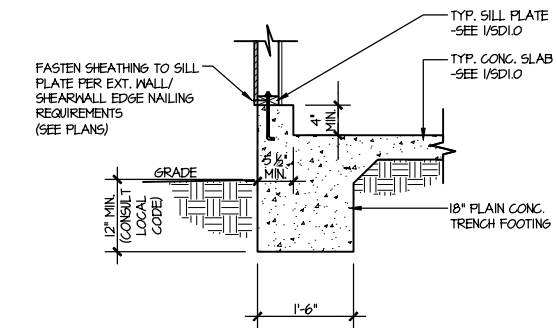
1 TYPICAL SLAB ON GRADE PERIMETER FOOTING
SCALE: 3/8"=1'-0"



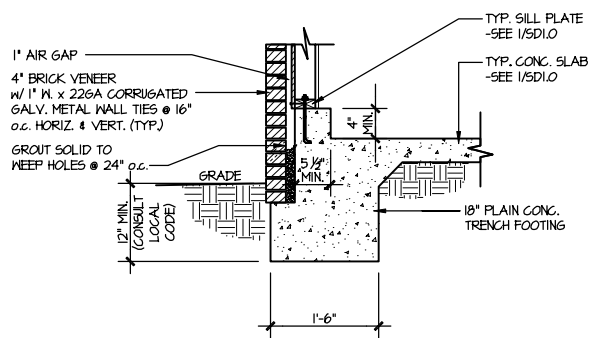
2 TYPICAL SLAB ON GRADE PERIMETER FOOTING
SCALE: 3/8"=1'-0" W/ BRICK VENEER



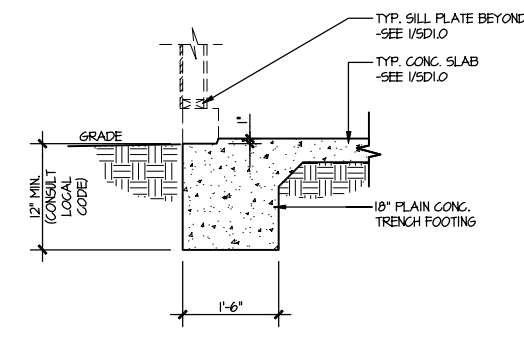
3 TYPICAL MONOLITHIC INTERIOR GARAGE FOOTING
SCALE: 3/8"=1'-0"



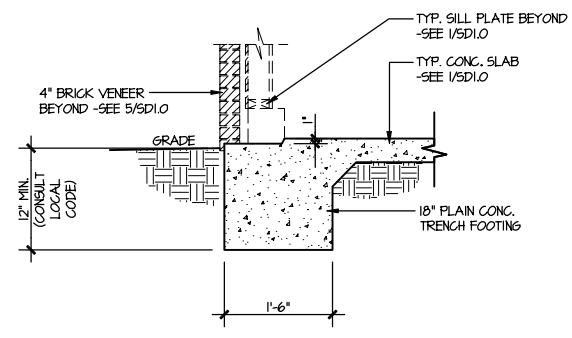
4 TYPICAL SLAB ON GRADE GARAGE PERIMETER FOOTING
SCALE: 3/8"=1'-0"



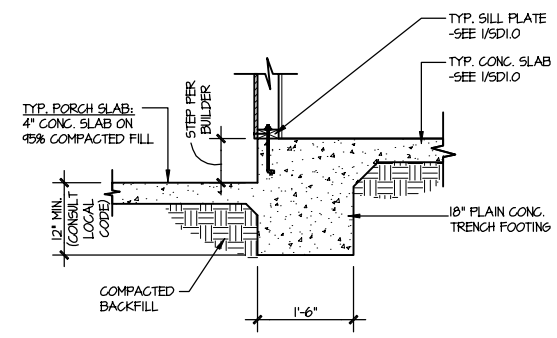
5 TYPICAL SLAB ON GRADE GARAGE PERIMETER FOOTING
SCALE: 3/8"=1'-0" W/ BRICK VENEER



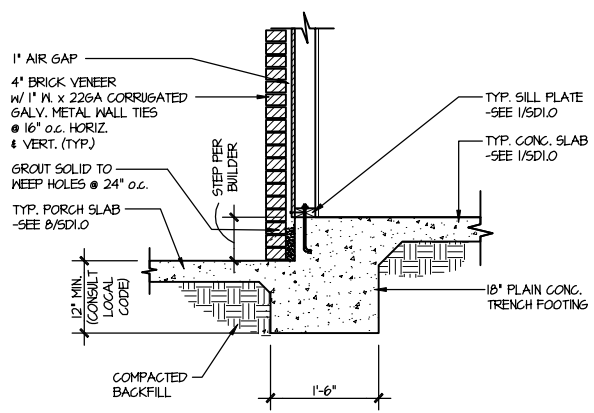
6 TYPICAL SLAB ON GRADE GARAGE ENTRY @ PERIMETER FOOTING
SCALE: 3/8"=1'-0"



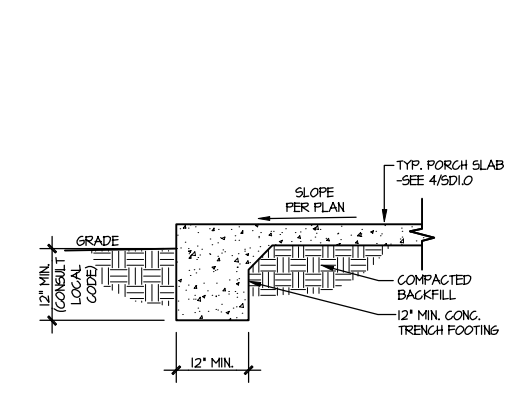
7 TYPICAL SLAB ON GRADE GARAGE ENTRY @ PERIMETER FOOTING
SCALE: 3/8"=1'-0" W/ BRICK VENEER



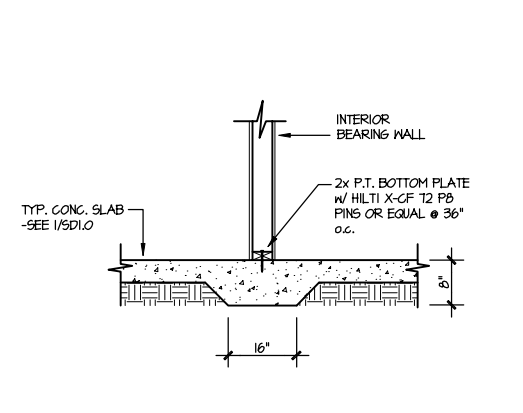
8 TYPICAL SLAB ON GRADE PERIMETER FOOTING @ PORCH/PATIO
SCALE: 3/8"=1'-0"



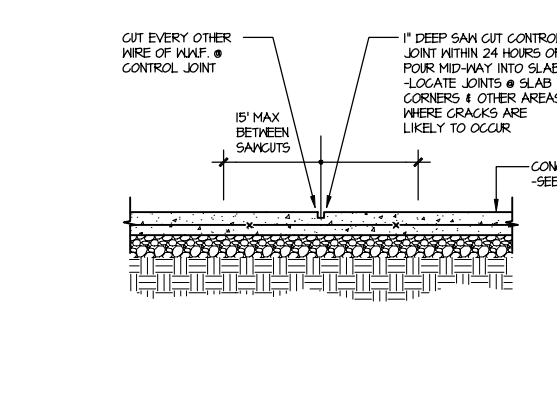
9 TYPICAL SLAB ON GRADE PERIMETER FOOTING @ PORCH/PATIO
SCALE: 3/8"=1'-0" W/ BRICK VENEER



10 TYPICAL FOOTING @ PORCH SLAB
SCALE: 3/8"=1'-0"

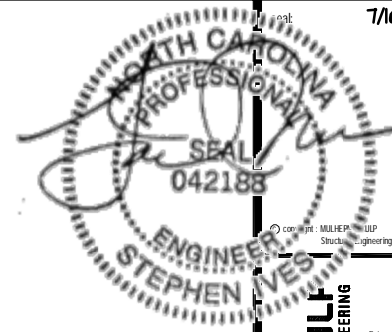


11 TYPICAL THICKENED SLAB @ INTERIOR BEARING WALL
SCALE: 3/8"=1'-0"

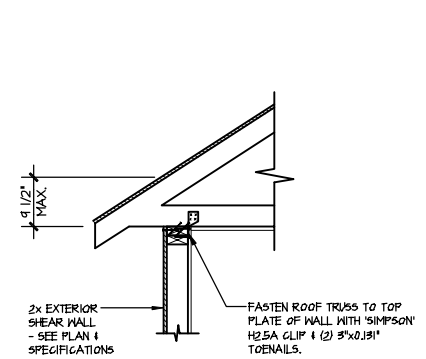


A TYPICAL CONTROL JOINT
SCALE: 3/8"=1'-0"
LOCATE @ 15'-0" MAX. OR CORNERS WHERE CRACKS LIKELY TO DEVELOP

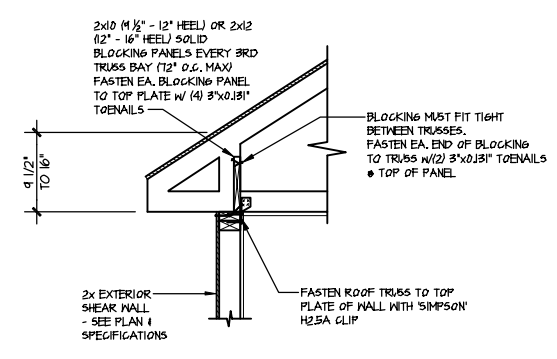
FILE: RLH - Middleton - Structural DATE: 7/16/2021 5:47 PM



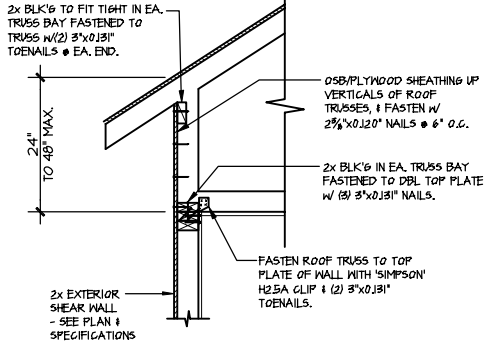
MULHERN+KULF
RESIDENTIAL STRUCTURAL ENGINEERING
300 Riverside Ave. Building 1 - number: PA 19002
PA 215-948-9001 - mulhern+kulf.com
NC LIC. #C-3825



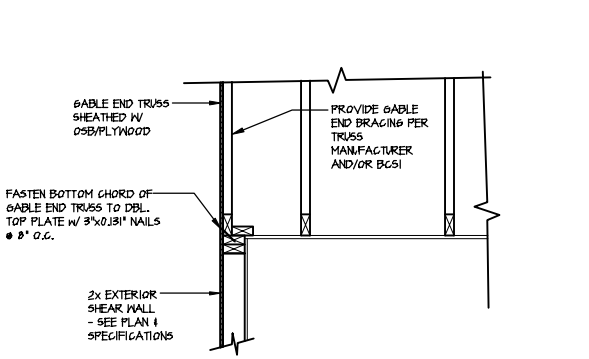
A1 **TYPICAL SHEAR TRANSFER DETAIL @ ROOF**
SCALE: 3/8"=1'-0"
HEEL HEIGHT LESS THAN 9 1/2"
NO BLOCKING REQ'D



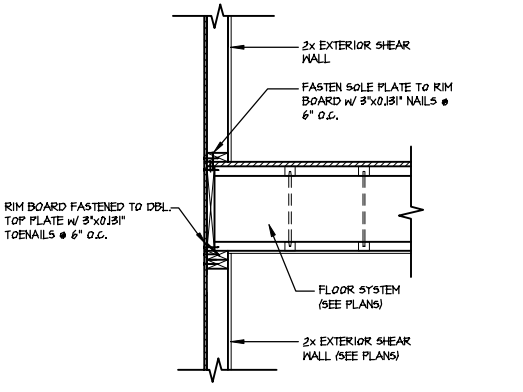
A2 **TYPICAL SHEAR TRANSFER DETAIL @ ROOF**
SCALE: 3/8"=1'-0"
HEEL HEIGHT BETWEEN 9 1/2" - 16"
BLOCKING REQ'D



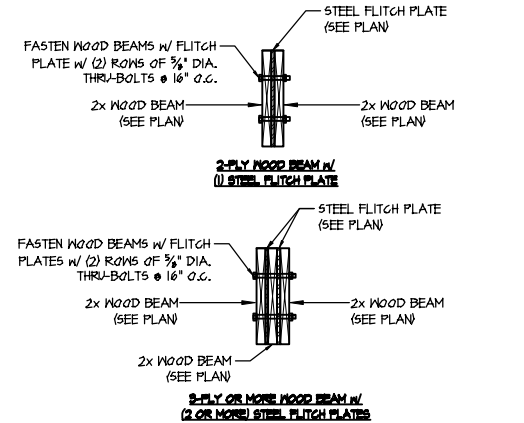
A3 **TYPICAL SHEAR TRANSFER DETAIL @ RAISED HEEL TRUSS**
SCALE: 3/8"=1'-0"
HEEL HEIGHT UP TO 48" MAX



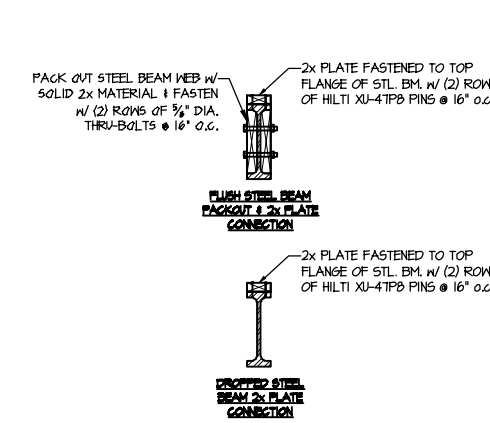
B **TYPICAL GABLE END DETAIL**
SCALE: 3/8"=1'-0"



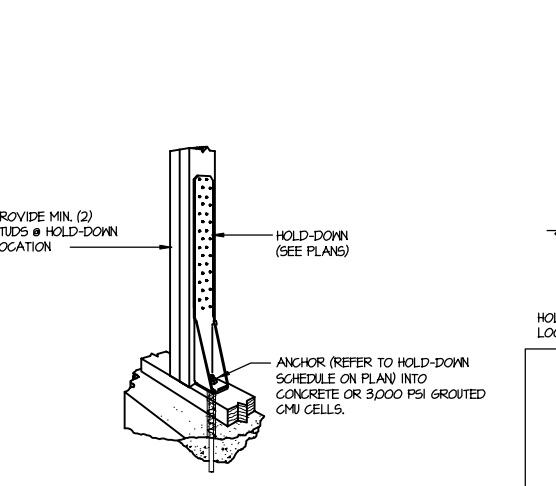
C **TYPICAL SHEAR TRANSFER DETAIL BETWEEN FLOORS @ EXTERIOR WALL**
SCALE: 3/8"=1'-0"



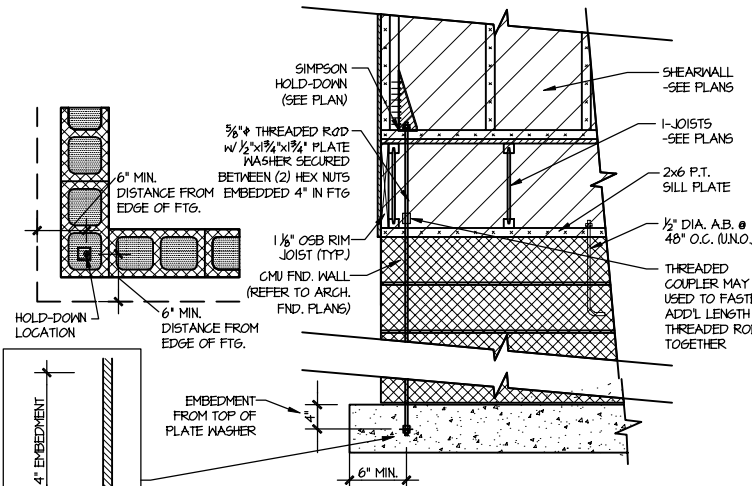
D **TYPICAL FLITCH BEAM CONNECTION DETAIL**
SCALE: 3/4"=1'-0"



E **TYPICAL STEEL BEAM CONNECTION DETAIL**
SCALE: 3/4"=1'-0"

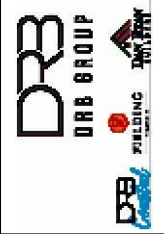


F1 **TYPICAL HOLD DOWN INSTALLATION**
SCALE: NTS



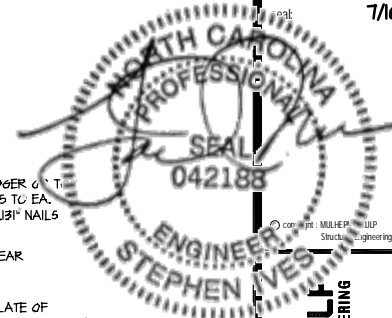
F2 **TYPICAL CMU FOUNDATION HOLD-DOWN INSTALLATION**
SCALE: NTS
(CORNER SHOWN - APPLICABLE TO ALL CONDITIONS)

FILE: RLH - Middleton - Structural DATE: 7/16/2021 5:48 PM

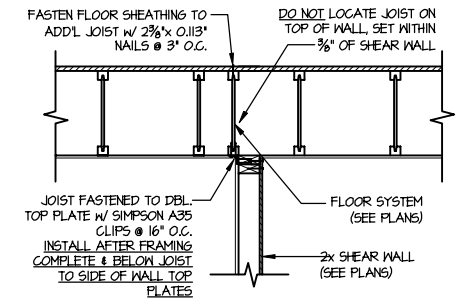


Framing Details
MIDDLETON MODEL
RALEIGH, NC

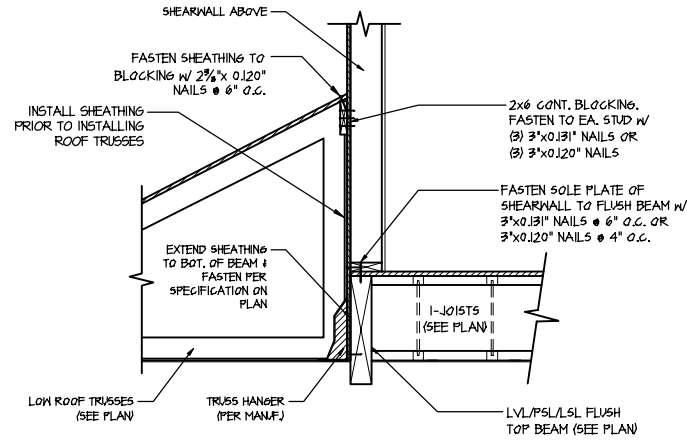
sheet: **SD2.0J**



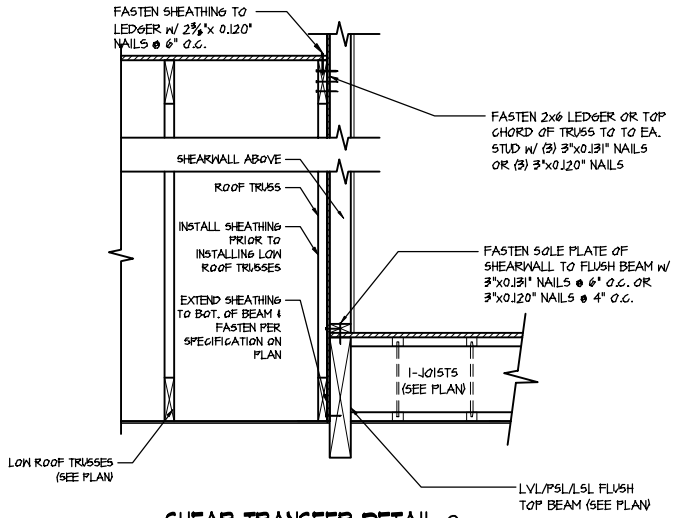
MULHERN+KULF
RESIDENTIAL STRUCTURAL ENGINEERING
300 Riverside Ave. Building 6 - Raleigh, PA 10002
919-848-9001 • mulhern+kulf.com
NC LIC. #C-3825



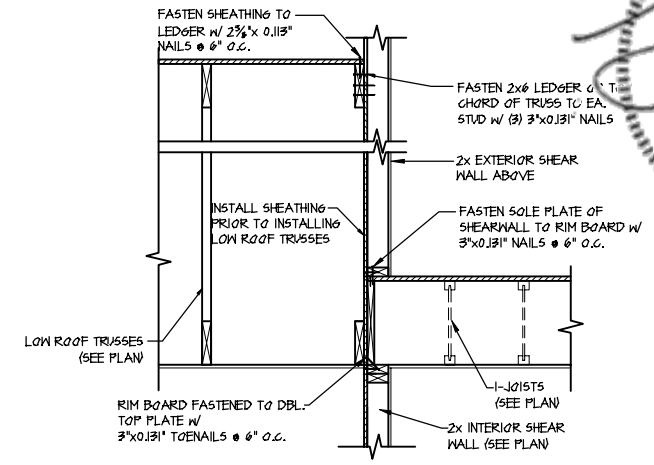
1 SHEAR TRANSFER DETAIL @ INTERIOR SHEARWALL BELOW
SCALE: 3/4"=1'-0"
PARALLEL TO FRAMING
ONLY REQ'D WHERE NOTED ON PLAN



2 SHEAR TRANSFER DETAIL @ EXTERIOR SHEARWALL ABOVE
SCALE: 3/8"=1'-0"



3 SHEAR TRANSFER DETAIL @ EXTERIOR SHEARWALL ABOVE
SCALE: 3/8"=1'-0"



4 TYPICAL SHEAR TRANSFER DETAIL BETWEEN FLOORS @ INTERIOR WALL
SCALE: 3/4"=1'-0"

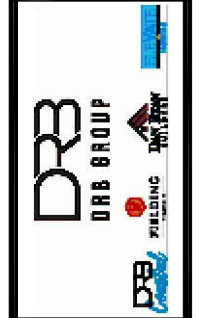
LETTERED DETAILS ARE TYPICAL FOR THIS HOME & SHALL BE IMPLEMENTED IN ALL APPLICABLE AREAS. THESE DETAILS ARE NOT "CUT" ON THE PLANS.

NUMBERED DETAILS ARE PLAN SPECIFIC AND ARE ONLY REQUIRED WHERE SPECIFICALLY INDICATED ("CUT") ON THE PLANS.

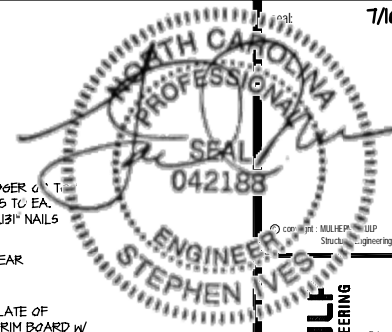
M&K project number: 126-21018
project mgr: JTR
drawn by: MDH
issue date: 07-16-21

REVISIONS:

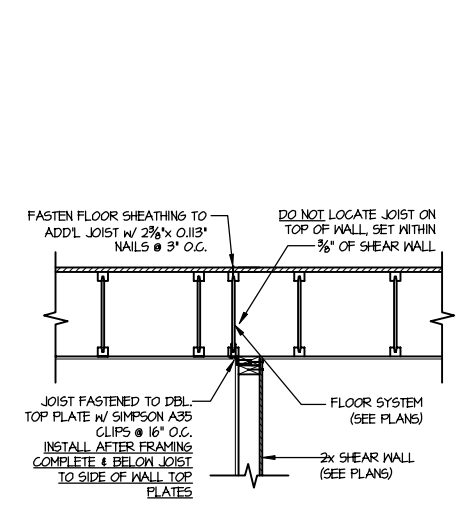
date:	initia:



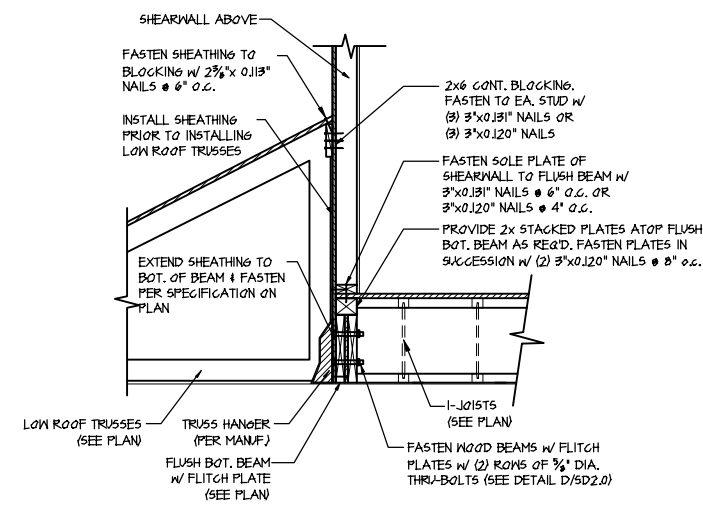
Framing Details
MIDDLETON MODEL
RALEIGH, NC



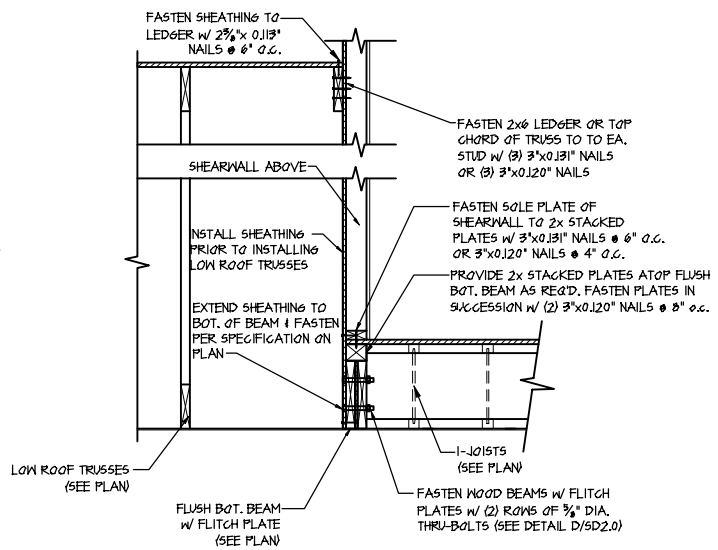
MULHERN+KULF
RESIDENTIAL STRUCTURAL ENGINEERING
300 Providence Ave. Building 6 - Raleigh, PA 10002
919-848-9001 - mulhernkulf.com
NC LIC. #C-3825



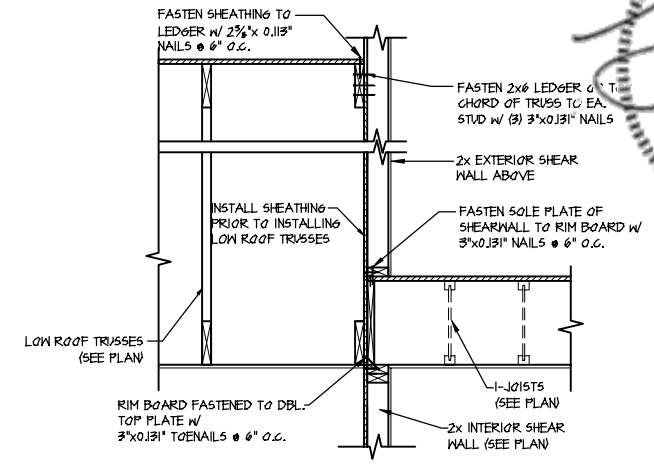
1 SHEAR TRANSFER DETAIL @ INTERIOR SHEARWALL BELOW
SCALE: 3/4"=1'-0"
PARALLEL TO FRAMING
ONLY REQ'D WHERE NOTED ON PLAN



2 SHEAR TRANSFER DETAIL @ EXTERIOR SHEARWALL ABOVE
SCALE: 3/8"=1'-0"



2 SHEAR TRANSFER DETAIL @ EXTERIOR SHEARWALL ABOVE
SCALE: 3/8"=1'-0"



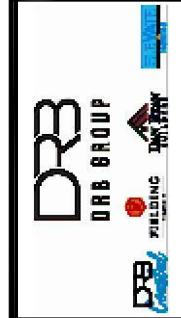
3 TYPICAL SHEAR TRANSFER DETAIL BETWEEN FLOORS @ INTERIOR WALL
SCALE: 3/4"=1'-0"

LETTERED DETAILS ARE TYPICAL FOR THIS HOME & SHALL BE IMPLEMENTED IN ALL APPLICABLE AREAS. THESE DETAILS ARE NOT "CUT" ON THE PLANS.

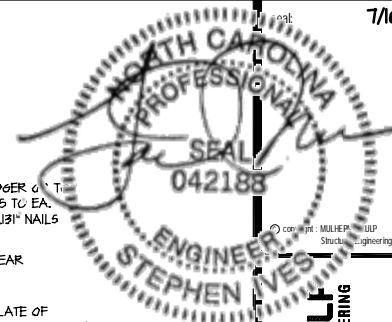
NUMBERED DETAILS ARE PLAN SPECIFIC AND ARE ONLY REQUIRED WHERE SPECIFICALLY INDICATED ("CUT") ON THE PLANS.

M&K project number: 126-21018
project mgr: JTR
drawn by: MDH
issue date: 07-16-21

REVISIONS:
date: initial:



Framing Details
MIDDLETON MODEL
RALEIGH, NC



MULHERN+KULF
RESIDENTIAL STRUCTURAL ENGINEERING
300 Bechtold Ave. Building 6 - number PA 19002
P.O. Box 9007 - mulhernkulf.com
NC LIC. #C-3825



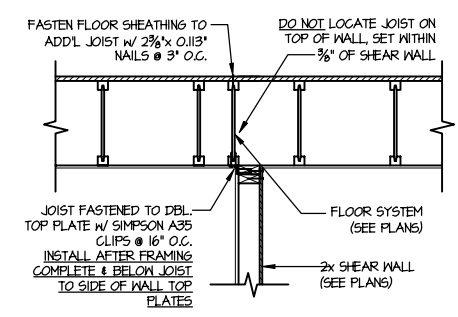
WGK project number:
126-21018
project mgr: JTR
drawn by: MDH
issue date: 07-16-21

REVISIONS:
date: initia:

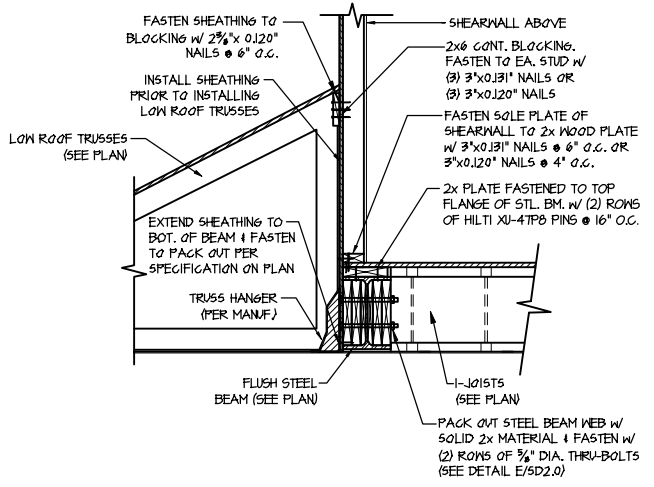


Framing Details
MIDDLETON MODEL
RALEIGH, NC

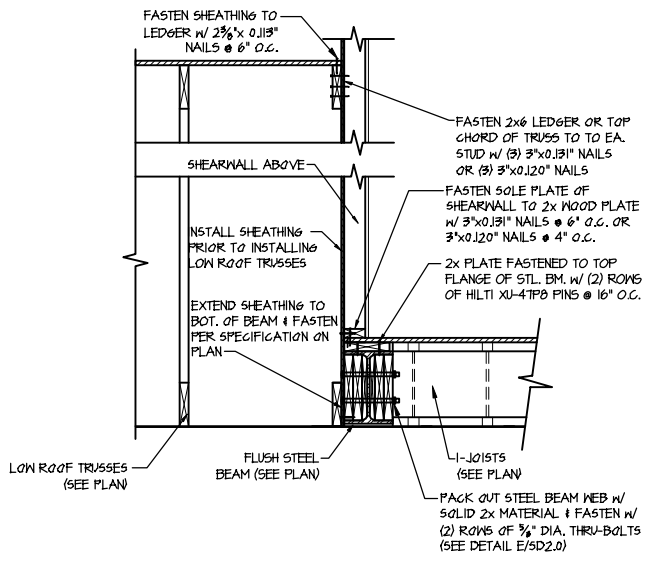
sheet:
SD2.1CJ



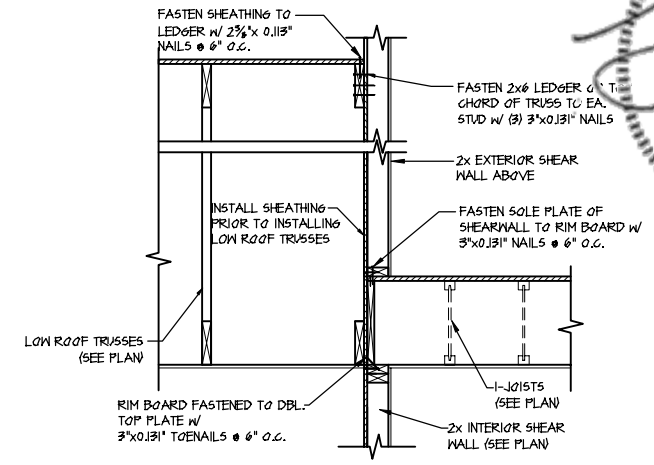
1 SHEAR TRANSFER DETAIL @ INTERIOR SHEARWALL BELOW
SCALE: 3/4"=1'-0"
PARALLEL TO FRAMING
ONLY REQ'D WHERE NOTED ON PLAN



2 SHEAR TRANSFER DETAIL @ EXTERIOR SHEARWALL ABOVE
SCALE: 3/8"=1'-0"



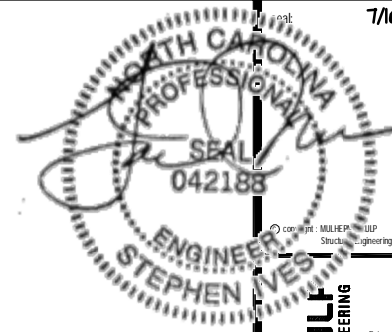
2 SHEAR TRANSFER DETAIL @ EXTERIOR SHEARWALL ABOVE
SCALE: 3/8"=1'-0"



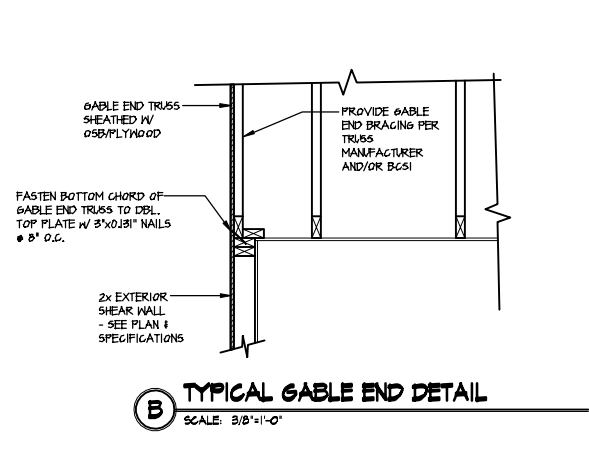
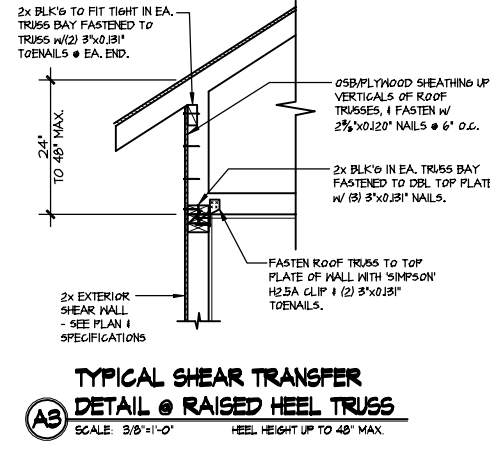
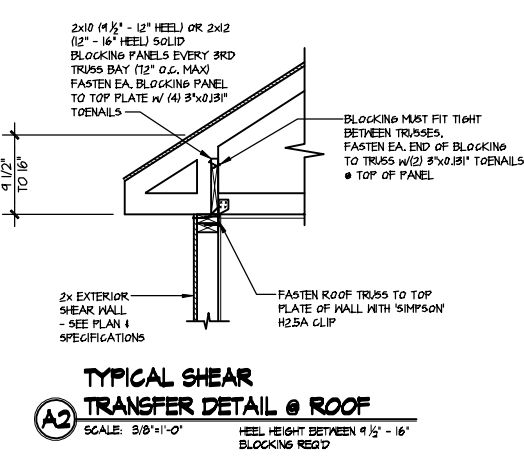
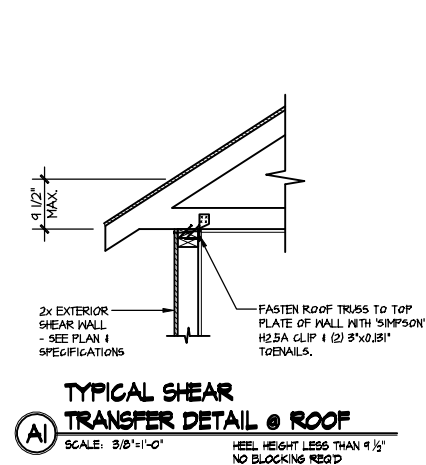
3 TYPICAL SHEAR TRANSFER DETAIL BETWEEN FLOORS @ INTERIOR WALL
SCALE: 3/4"=1'-0"

LETTERED DETAILS ARE TYPICAL FOR THIS HOME & SHALL BE IMPLEMENTED IN ALL APPLICABLE AREAS. THESE DETAILS ARE NOT "CUT" ON THE PLANS.

NUMBERED DETAILS ARE PLAN SPECIFIC AND ARE ONLY REQUIRED WHERE SPECIFICALLY INDICATED ("CUT") ON THE PLANS.



MULHERN+KULF
RESIDENTIAL STRUCTURAL ENGINEERING
300 Riverside Ave. Building 5 - number: PA 19002
P.215-948-9001 - mulhern+kulf.com
NC LIC. #C-3825

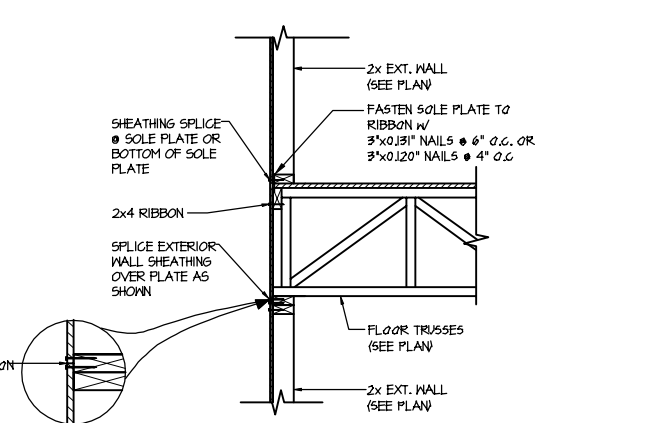
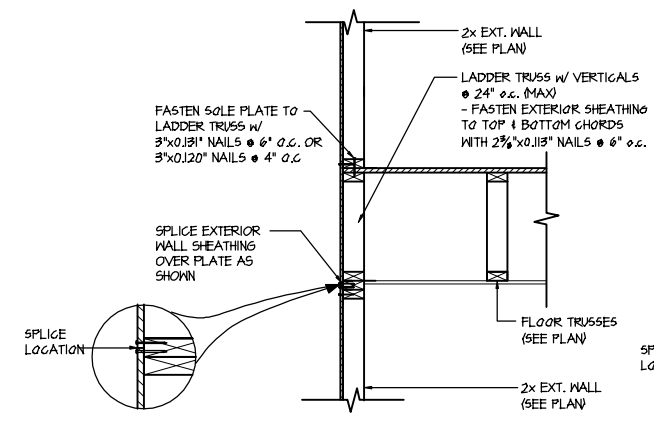


A1 TYPICAL SHEAR TRANSFER DETAIL @ ROOF
SCALE: 3/8"=1'-0"
HEEL HEIGHT LESS THAN 9 1/2" NO BLOCKING REQ'D

A2 TYPICAL SHEAR TRANSFER DETAIL @ ROOF
SCALE: 3/8"=1'-0"
HEEL HEIGHT BETWEEN 9 1/2" - 16" BLOCKING REQ'D

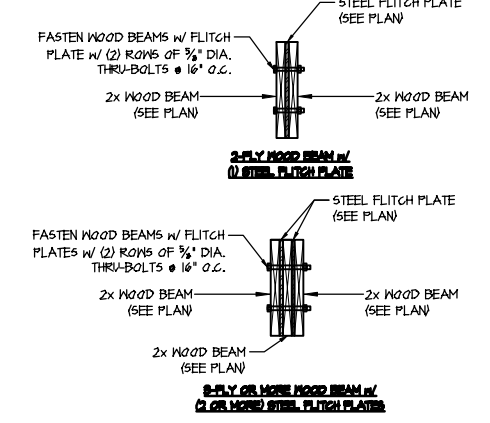
A3 TYPICAL SHEAR TRANSFER DETAIL @ RAISED HEEL TRUSS
SCALE: 3/8"=1'-0"
HEEL HEIGHT UP TO 48" MAX.

B TYPICAL GABLE END DETAIL
SCALE: 3/8"=1'-0"

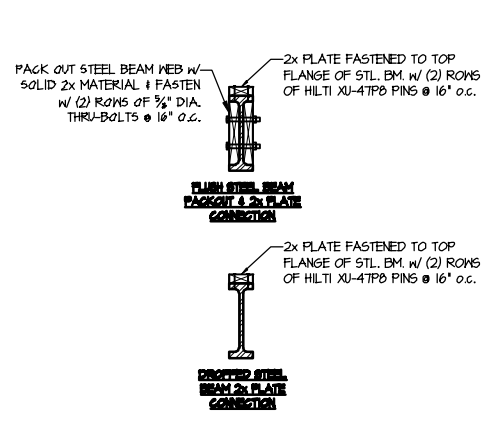


C1 TYPICAL SHEAR TRANSFER DETAIL BETWEEN FLOORS @ EXTERIOR WALL
SCALE: 3/8"=1'-0"
PARALLEL FRAME

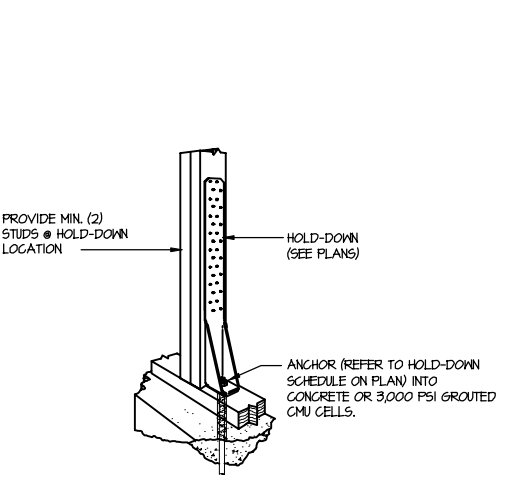
C2 TYPICAL SHEAR TRANSFER DETAIL BETWEEN FLOORS @ EXTERIOR WALL
SCALE: 3/8"=1'-0"
PERPENDICULAR FRAME



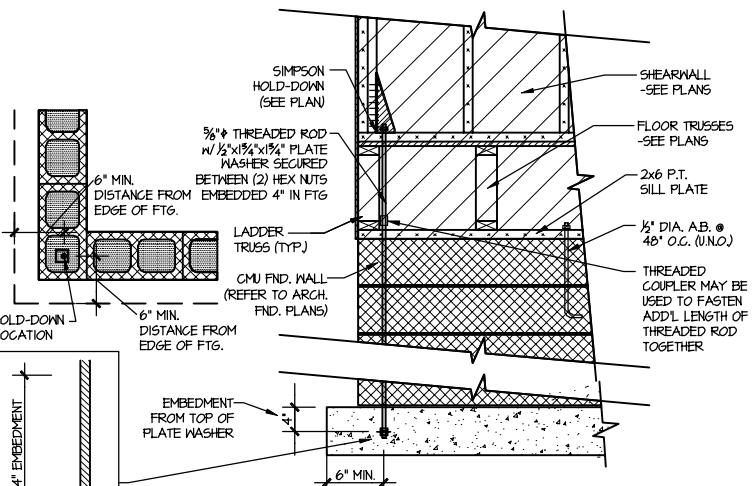
D TYPICAL FLITCH BEAM CONNECTION DETAIL
SCALE: 3/4"=1'-0"



E TYPICAL STEEL BEAM CONNECTION DETAIL
SCALE: 3/4"=1'-0"



F1 TYPICAL HOLD DOWN INSTALLATION
SCALE: N.T.S.

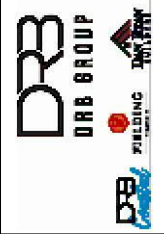


F2 TYPICAL CMU FOUNDATION HOLD-DOWN INSTALLATION
SCALE: N.T.S.
(CORNER SHOWN - APPLICABLE TO ALL CONDITIONS)

FILE: RLH - Middleton - Structural DATE: 7/16/2021 5:48 PM

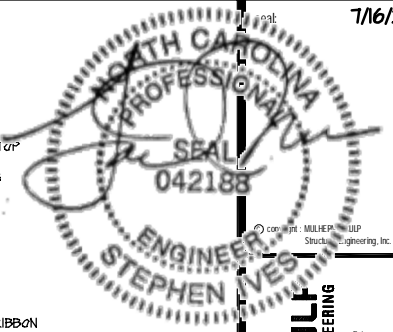
M&K project number: 126-21018
project mgr: JTR
drawn by: MDH
issue date: 07-16-21

REVISIONS:
date: initial:

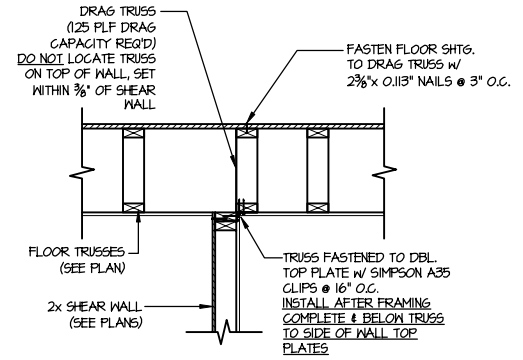


Framing Details
MIDDLETON MODEL
RALEIGH, NC

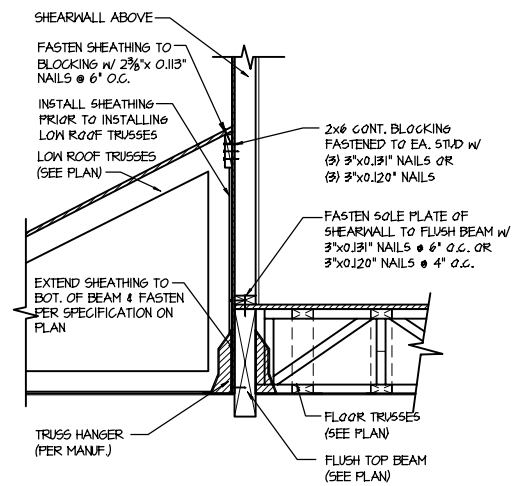
sheet: SD2.0T



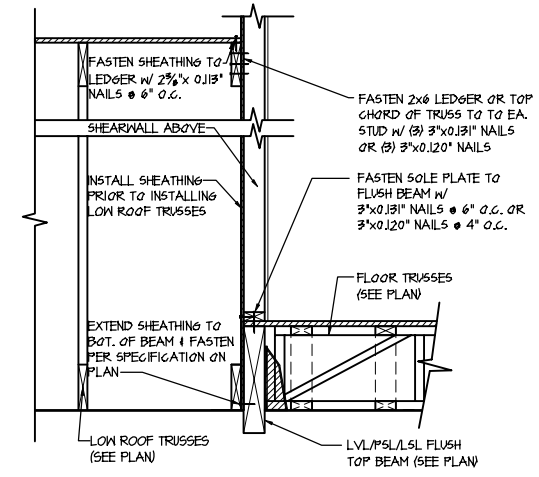
MULHERN+KULF
 RESIDENTIAL STRUCTURAL ENGINEERING
 300 Riverside Ave. Building 6 - number PA 19022
 P.O. Box 98-9007 - mulhernkulf.com
 NC LIC. #C-3825



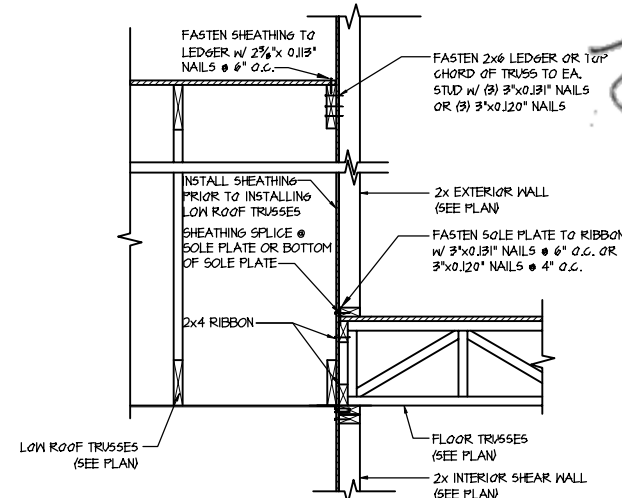
1 SHEAR TRANSFER DETAIL @ INTERIOR SHEAR WALL
 SCALE: 3/4"=1'-0" PARALLEL FRAMING



2 SHEAR TRANSFER DETAIL @ EXTERIOR SHEARWALL ABOVE
 SCALE: 3/4"=1'-0"



3 SHEAR TRANSFER DETAIL @ EXTERIOR SHEARWALL ABOVE
 SCALE: 3/8"=1'-0"



4 TYPICAL SHEAR TRANSFER DETAIL BETWEEN FLOORS @ INTERIOR WALL
 SCALE: 3/4"=1'-0"

LETTERED DETAILS ARE TYPICAL FOR THIS HOME & SHALL BE IMPLEMENTED IN ALL APPLICABLE AREAS. THESE DETAILS ARE NOT "CUT" ON THE PLANS.

NUMBERED DETAILS ARE PLAN SPECIFIC AND ARE ONLY REQUIRED WHERE SPECIFICALLY INDICATED ("CUT") ON THE PLANS.

M&K project number: 126-21018

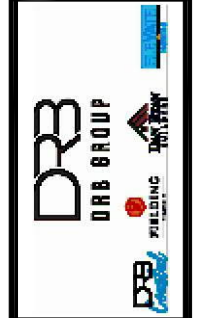
project mgr: JTR

drawn by: MDH

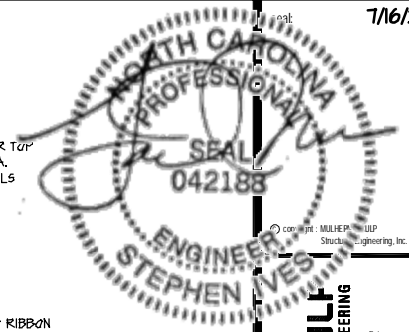
issue date: 07-16-21

REVISIONS:

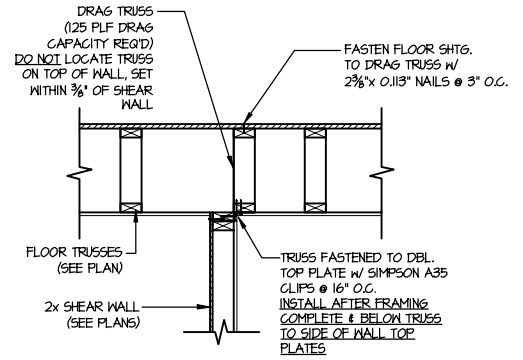
date:	initial:



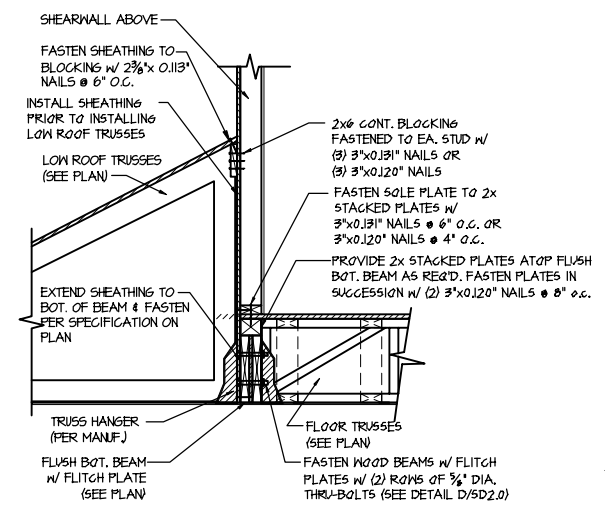
Framing Details
 MIDDLETON MODEL
 RALEIGH, NC



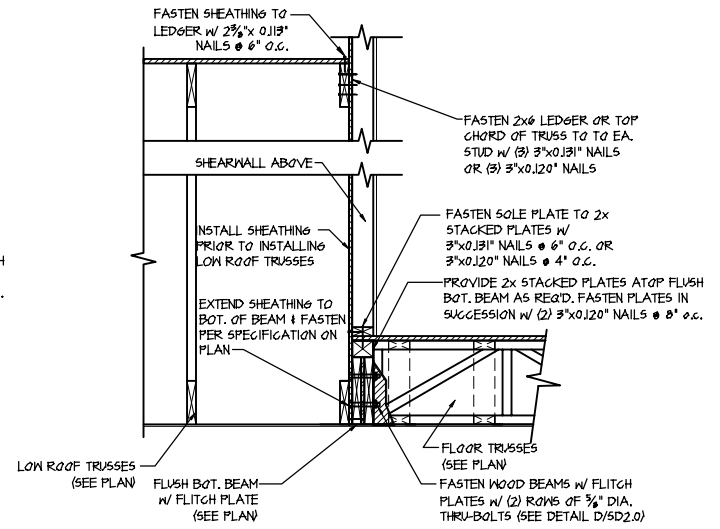
MULHERN+KULF
 RESIDENTIAL STRUCTURAL ENGINEERING
 300 Riverside Ave. Building 6 - number PA 19022
 252-946-9001 • mulhern+kulf.com
 NC LIC. #C-3825



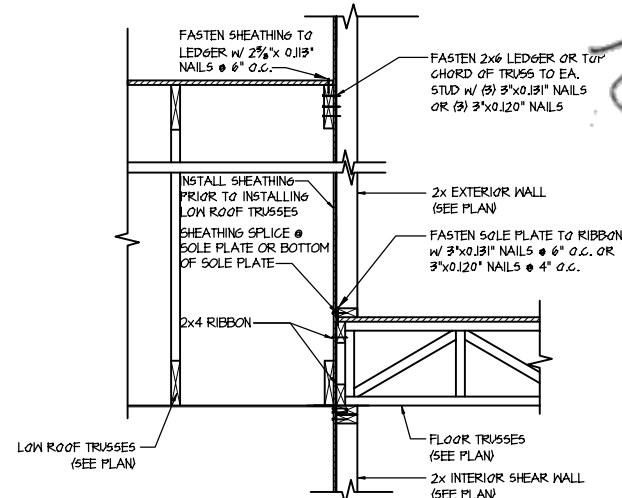
1 SHEAR TRANSFER DETAIL @ INTERIOR SHEAR WALL
 SCALE: 3/4"=1'-0" PARALLEL FRAMING



2 SHEAR TRANSFER DETAIL @ EXTERIOR SHEARWALL ABOVE
 SCALE: 3/8"=1'-0"



3 SHEAR TRANSFER DETAIL @ EXTERIOR SHEARWALL ABOVE
 SCALE: 3/8"=1'-0"



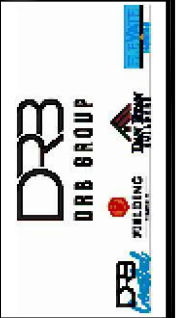
4 TYPICAL SHEAR TRANSFER DETAIL BETWEEN FLOORS @ INTERIOR WALL
 SCALE: 3/4"=1'-0"

<p>LETTERED DETAILS ARE TYPICAL FOR THIS HOME & SHALL BE IMPLEMENTED IN ALL APPLICABLE AREAS. THESE DETAILS ARE NOT "CUT" ON THE PLANS.</p>	<p>NUMBERED DETAILS ARE PLAN SPECIFIC AND ARE ONLY REQUIRED WHERE SPECIFICALLY INDICATED ("CUT") ON THE PLANS.</p>
---	--

M&K project number: 126-21018
 project mgr: JTR
 drawn by: MDH
 issue date: 07-16-21

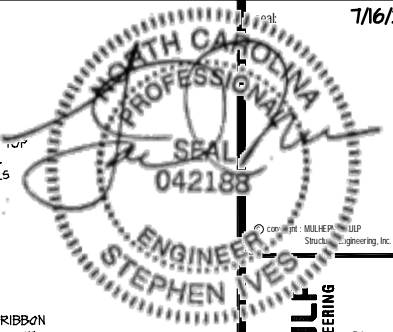
REVISIONS:

date:	initial:



Framing Details
 MIDDLETON MODEL
 RALEIGH, NC

sheet: SD2.1BT



MULHERN+KULF
RESIDENTIAL STRUCTURAL ENGINEERING
300 Riverside Ave. Building 4 - number PA 19022
252-948-9001 - mulhern+kulf.com
NC LIC. #C-3825



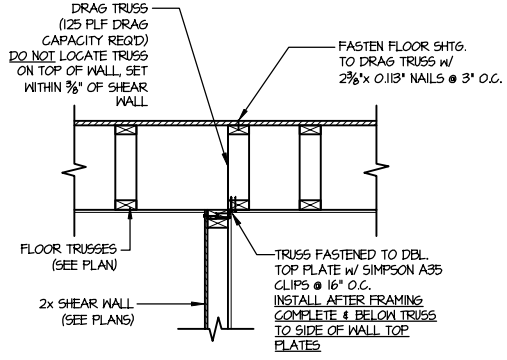
WGK project number:
126-21018
project mgr: JTR
drawn by: MDH
issue date: 07-16-21

REVISIONS:
date: initial

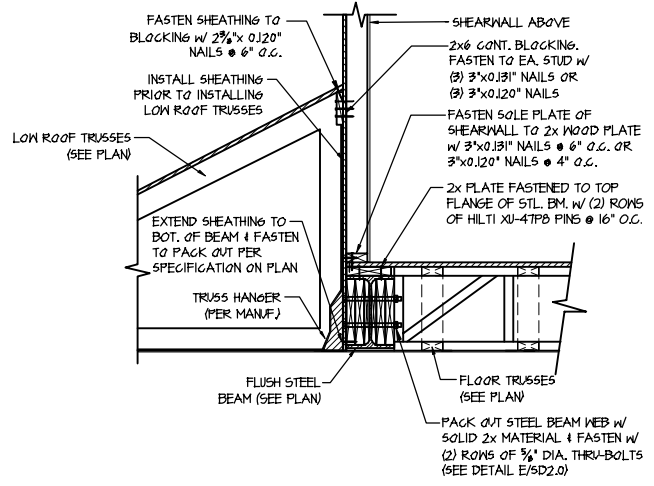


Framing Details
MIDDLETON MODEL
RALEIGH, NC

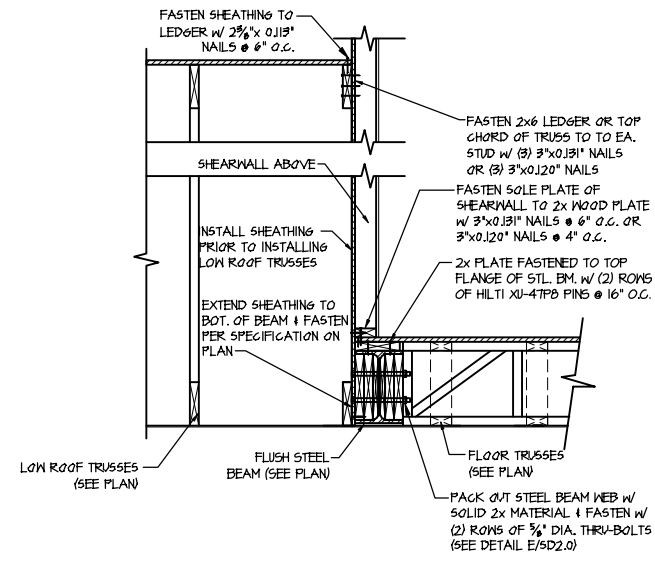
sheet:
SD2.1CT



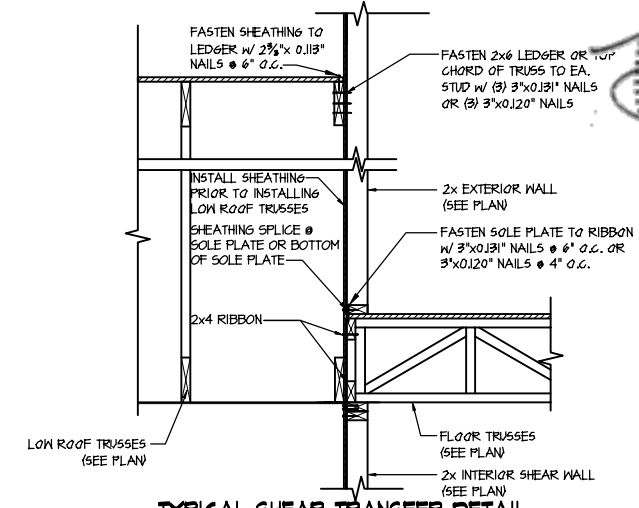
1
SHEAR TRANSFER DETAIL @ INTERIOR SHEAR WALL
SCALE: 3/4"=1'-0"
PARALLEL FRAMING



2
SHEAR TRANSFER DETAIL @ EXTERIOR SHEARWALL ABOVE
SCALE: 3/8"=1'-0"

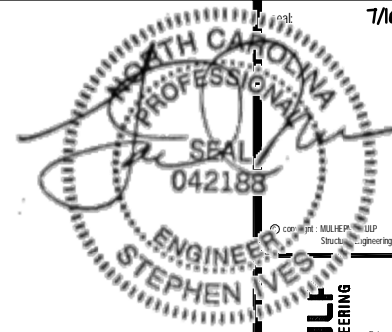


3
SHEAR TRANSFER DETAIL @ EXTERIOR SHEARWALL ABOVE
SCALE: 3/8"=1'-0"



4
TYPICAL SHEAR TRANSFER DETAIL BETWEEN FLOORS @ INTERIOR WALL
SCALE: 3/4"=1'-0"

LETTERED DETAILS ARE TYPICAL FOR THIS HOME & SHALL BE IMPLEMENTED IN ALL APPLICABLE AREAS. THESE DETAILS ARE NOT "CUT" ON THE PLANS.	NUMBERED DETAILS ARE PLAN SPECIFIC AND ARE ONLY REQUIRED WHERE SPECIFICALLY INDICATED ("CUT") ON THE PLANS.
--	---



MULHERN+KULF
RESIDENTIAL STRUCTURAL ENGINEERING
300 Riverside Ave. Building 4 - number PA 19022
P215-948-9001 - mulhern+kulf.com
NC LIC. #C-3825

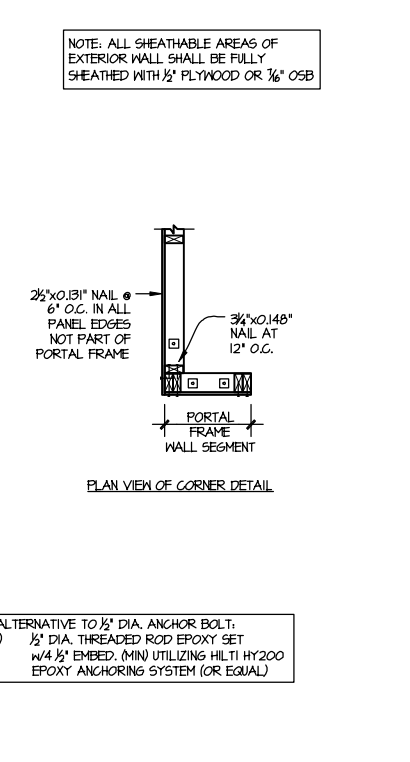
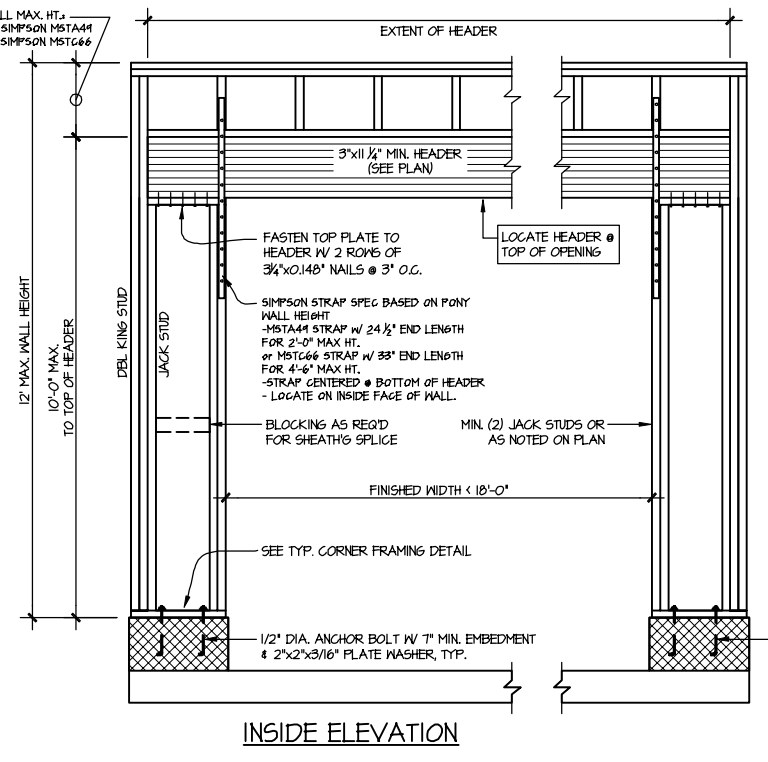
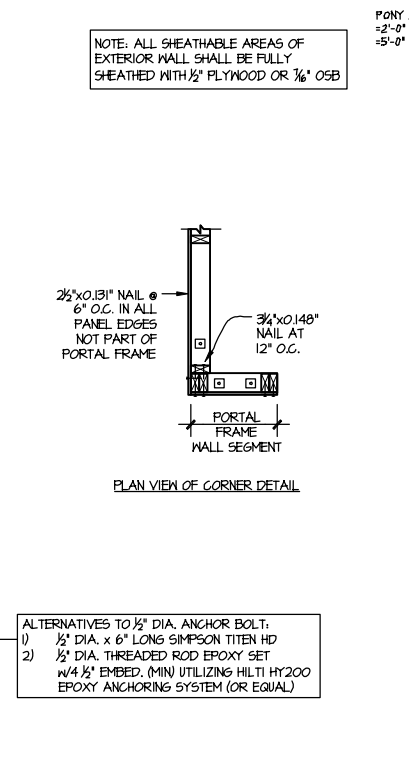
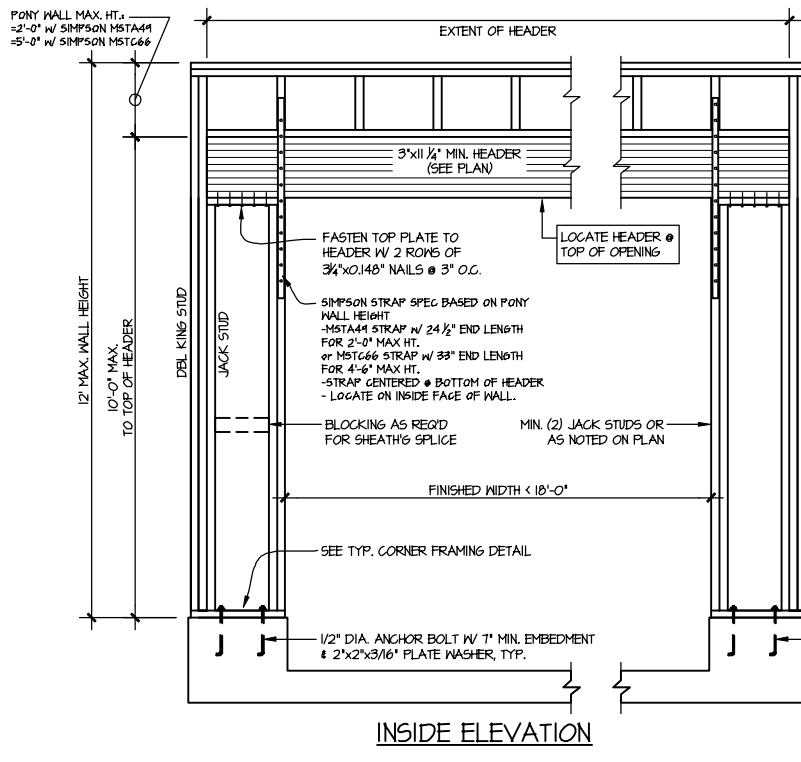
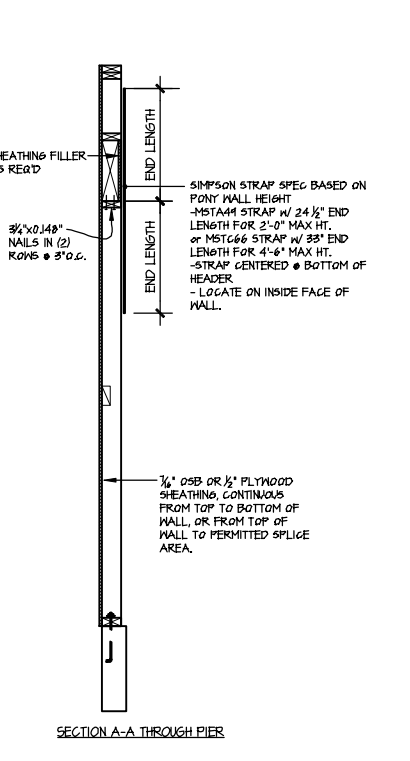
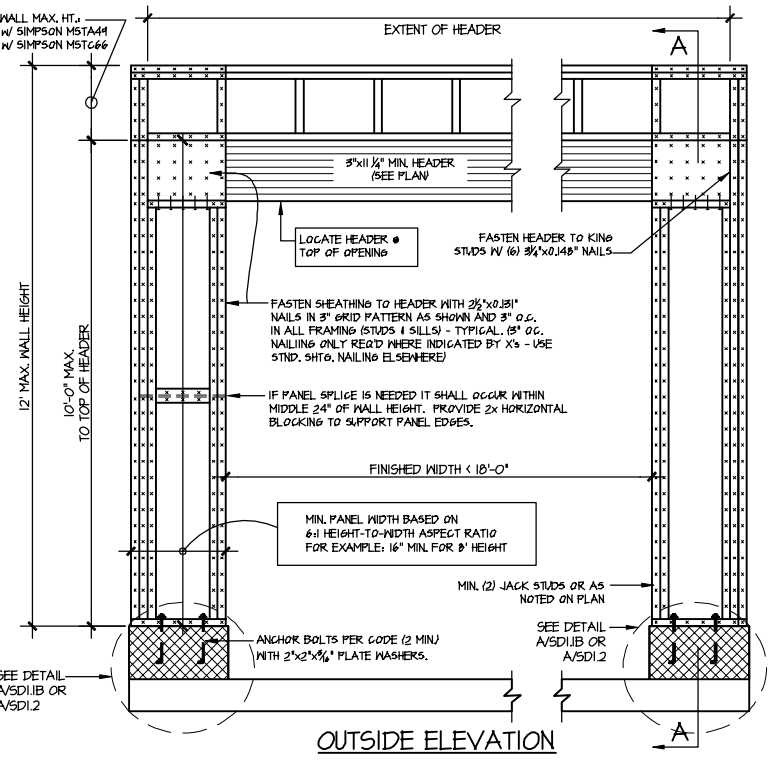
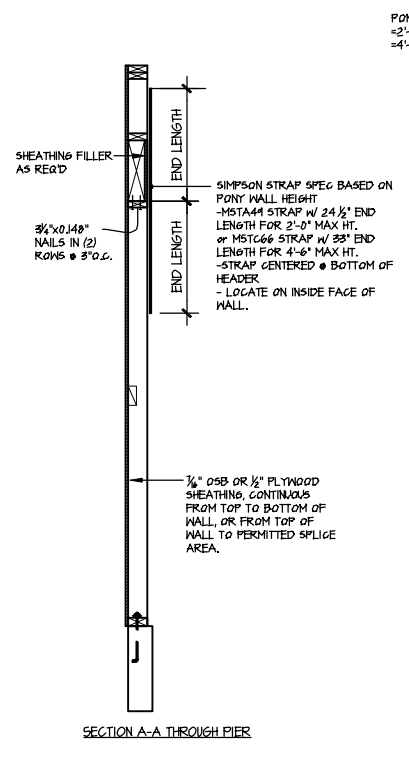
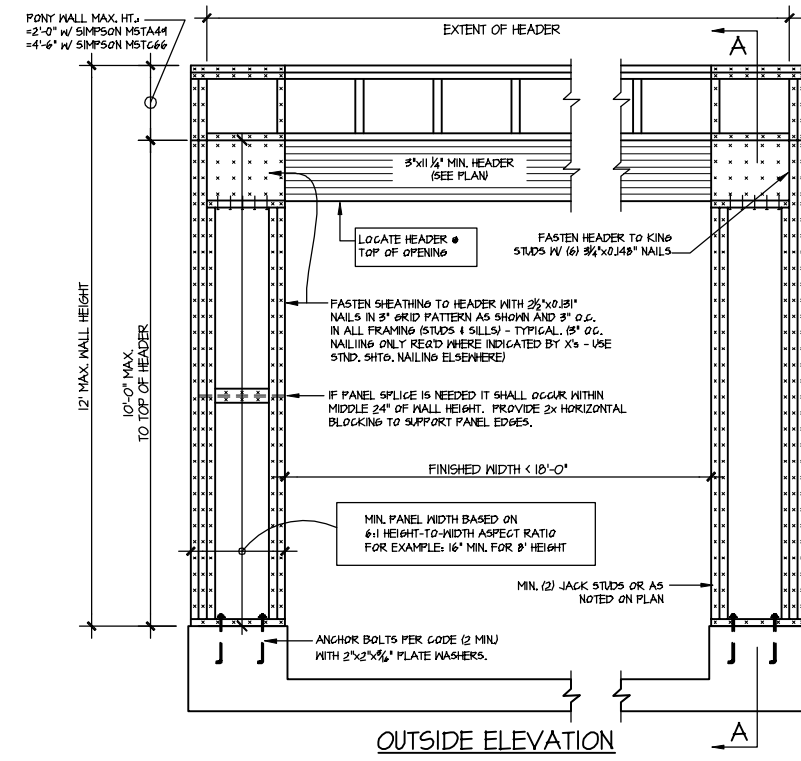
M&K project number:
126-21018
project mgr: JTR
drawn by: MDH
issue date: 07-16-21

REVISIONS:
date: initial



Framing Details
MIDDLETON MODEL
RALEIGH, NC

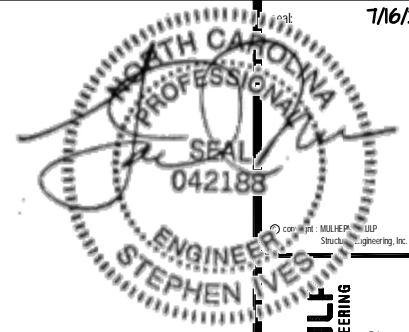
sheet:
SD2.2



ALTERNATIVES TO 1/2" DIA. ANCHOR BOLT:
1) 1/2" DIA. x 6" LONG SIMPSON TITEN HD
2) 1/2" DIA. THREADED ROD EPOXY SET W/ 4 1/2" EMBED. (MIN) UTILIZING HILTI HY200 EPOXY ANCHORING SYSTEM (OR EQUAL)

(A) TWO SIDED GARAGE PORTAL FRAME BRACING ELEVATION ON CONCRETE STEM
SCALE: N.T.S.

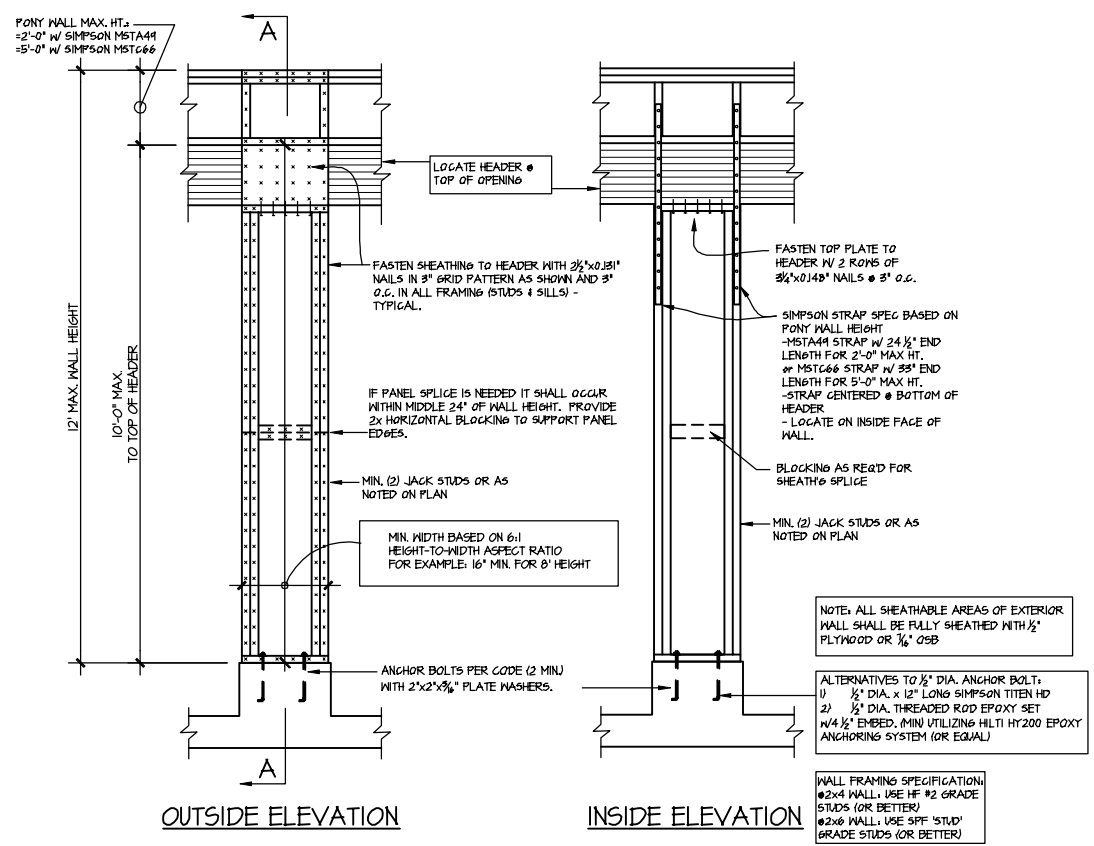
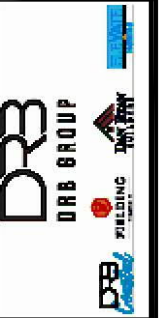
(B) TWO SIDED GARAGE PORTAL FRAME BRACING ELEVATION ON CMU STEM
SCALE: N.T.S.



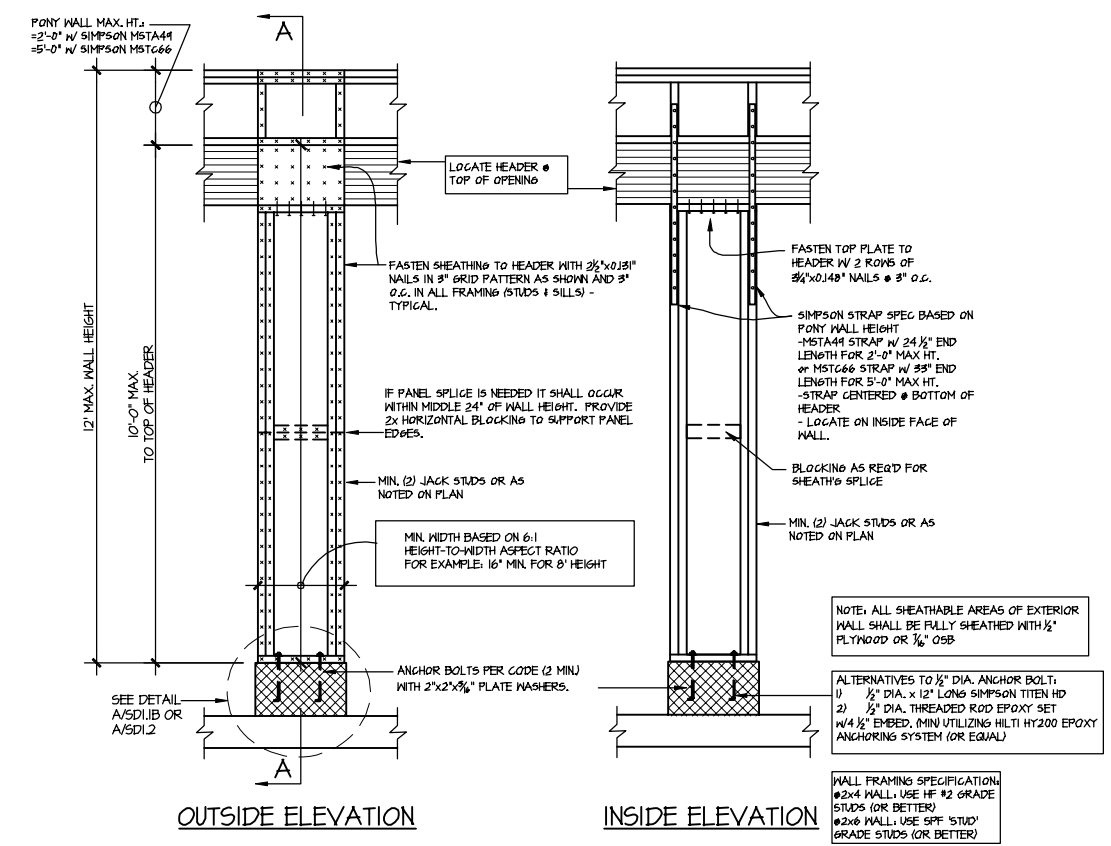
MULHERN+KULF
RESIDENTIAL STRUCTURAL ENGINEERING
300 Riverside Ave. Building 4 - Durham, PA 19002
P: 215-948-9001 | mulhern+kulf.com
NC LIC. #C-3825

W&K project number:
126-21018
project mgr: JTR
drawn by: MDH
issue date: 07-16-21

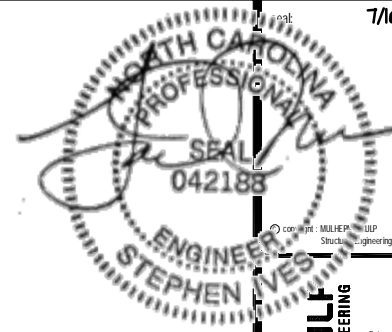
REVISIONS:
date: initial



IA GARAGE PORTAL FRAME BRACING ELEVATION
SCALE: N.T.S. CENTER PIER BETWEEN 2 GARAGE DOORS CONCRETE STEM



IB GARAGE PORTAL FRAME BRACING ELEVATION
SCALE: N.T.S. CENTER PIER BETWEEN 2 GARAGE DOORS CMU STEM

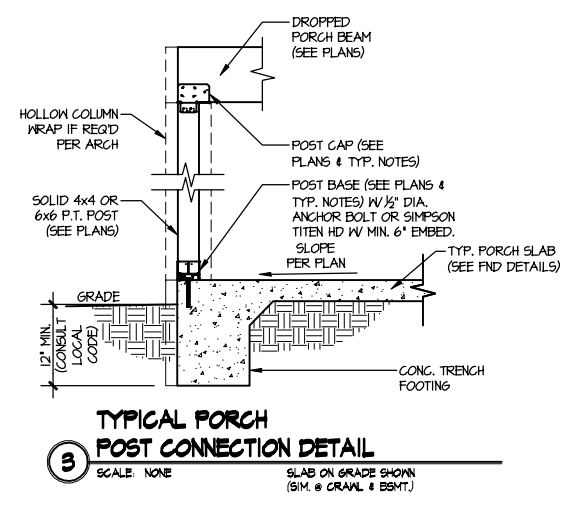


MULHERN+KULF
RESIDENTIAL STRUCTURAL ENGINEERING
300 Brookside Ave. Building 4 - Durham, PA 19002
P: 215-648-9001 - mulhern+kulf.com
NC LIC. # C-3825

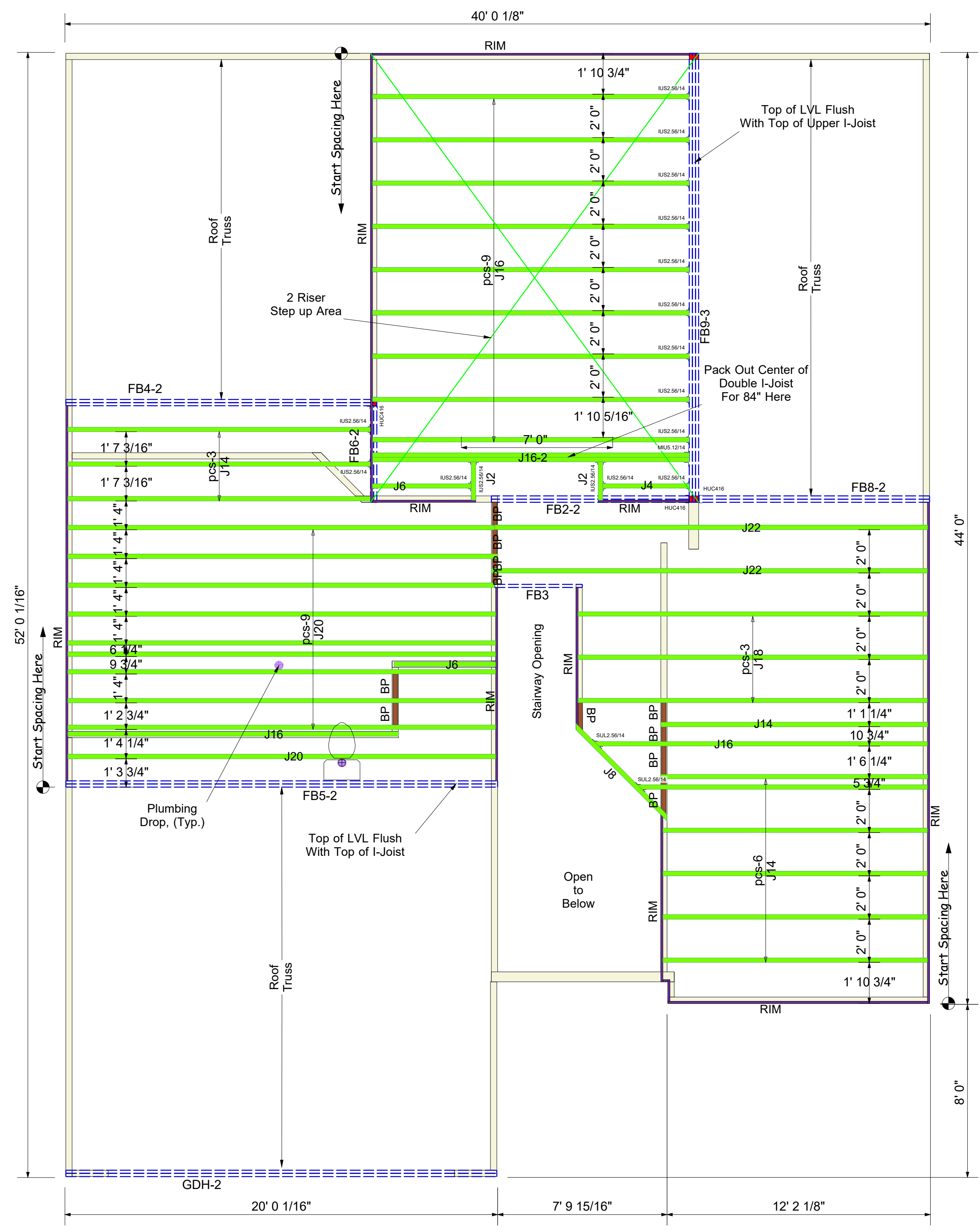
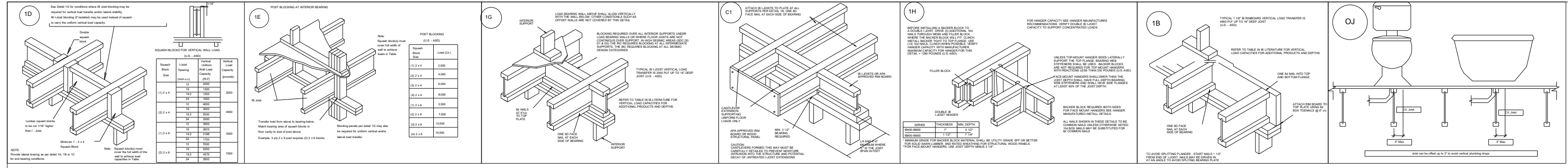


WGK project number:
126-21018
project mgr: JTR
drawn by: MDH
issue date: 07-16-21

REVISIONS:	
date:	initial:



Framing Details
MIDDLETON MODEL
RALEIGH, NC



Connector Summary		
Qty	Manuf	Product
3	HUC416	
16	Simpson	IUS2.56/14
1	Simpson	MIUS.12/14
2		SUL2.56/14

Products					
PlotID	Length	Product	Plies	Net Qty	Fab Type
J22	22' 0"	14" PJI-40	1	2	MFD
J20	20' 0"	14" PJI-40	1	10	MFD
J18	18' 0"	14" PJI-40	1	3	MFD
J16	16' 0"	14" PJI-40	1	11	MFD
J16-2	16' 0"	14" PJI-40	2	2	MFD
J14	14' 0"	14" PJI-40	1	10	MFD
J8	8' 0"	14" PJI-40	1	1	FF
J6	6' 0"	14" PJI-40	1	2	MFD
J4	4' 0"	14" PJI-40	1	1	MFD
J2	2' 0"	14" PJI-40	1	2	MFD
GDH-2	20' 0"	2.0 RigidLam DF LVL 1-3/4 x 11-7/8	2	2	FF
FB4-2	16' 0"	2.0 RigidLam DF LVL 1-3/4 x 14	2	2	FF
FB8-2	12' 0"	2.0 RigidLam DF LVL 1-3/4 x 14	2	2	FF
FB2-2	10' 0"	2.0 RigidLam DF LVL 1-3/4 x 14	2	2	FF
FB3	6' 0"	2.0 RigidLam DF LVL 1-3/4 x 14	1	1	FF
FB6-2	6' 0"	2.0 RigidLam DF LVL 1-3/4 x 14	2	2	FF
FB9-3	22' 0"	2.0 RigidLam DF LVL 1-3/4 x 18	3	3	FF
FB5-2	20' 0"	2.0 RigidLam DF LVL 1-3/4 x 18	2	2	FF
RIM	12' 0"	1 1/8" x 14" APA Rim Board	1	11	FF
BP	2' 0"	14" PJI-40	1	6	FF

BLOCK SOLID UNDER ALL POST /POINT LOADS FROM ABOVE - TYPICAL AT ALL LOCATIONS

2nd Floor I-Joist
DRAWING SCALE : NTS

PROJECT NUMBER 22030098	REVISIONS	
SHEET NUMBER 1 / 1	DATE 03.15.22	BY RKW

Dan Ryan Builders
4 Farm at Neills Creek (Middleton 4-GLFE)
2nd FLOOR I-JOIST PLACEMENT PLAN



PROJECT NUMBER
22030098

SHEET NUMBER
1 / 1

REVISIONS

DATE	BY
3-16-22	ND

DRB GROUP

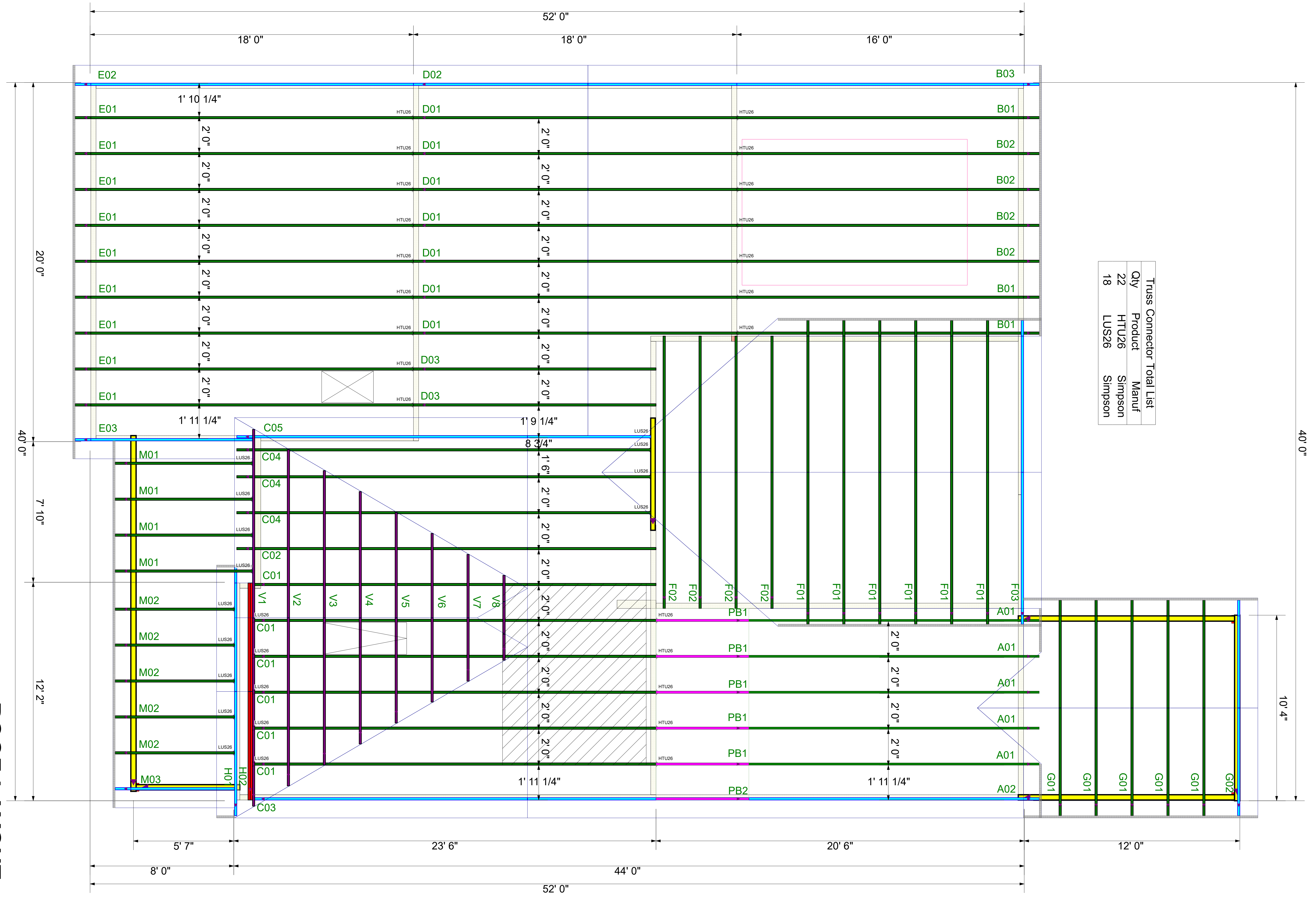
MIDDLETON 4 - 4 FARM AT NEILLS CREEK

ROOF TRUSS LAYOUT



ROOF LAYOUT

DRAWING SCALE : NTS



Truss Connector Total List

Qty	Product	Manuf
22	HTU26	Simpson
18	LUS26	Simpson