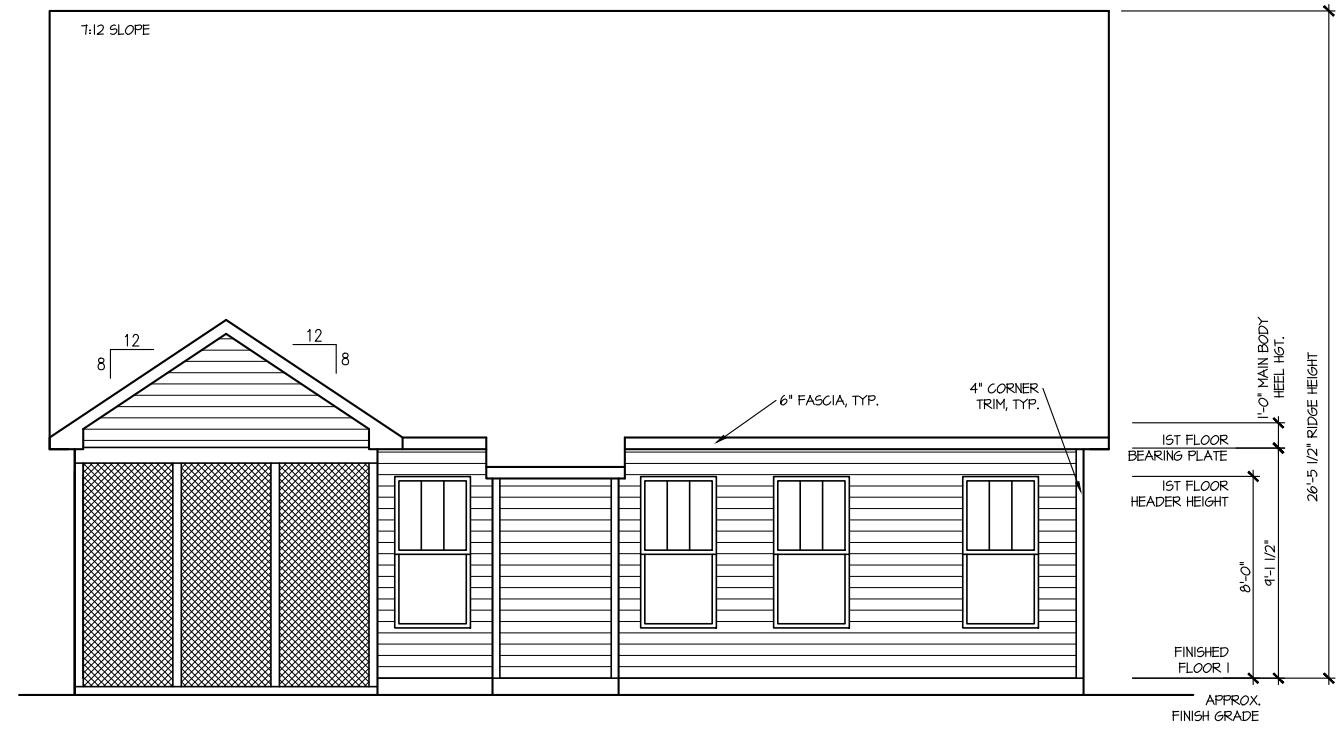


**FRONT ELEVATION 9**  
SCALE: 1/8" = 1'-0"



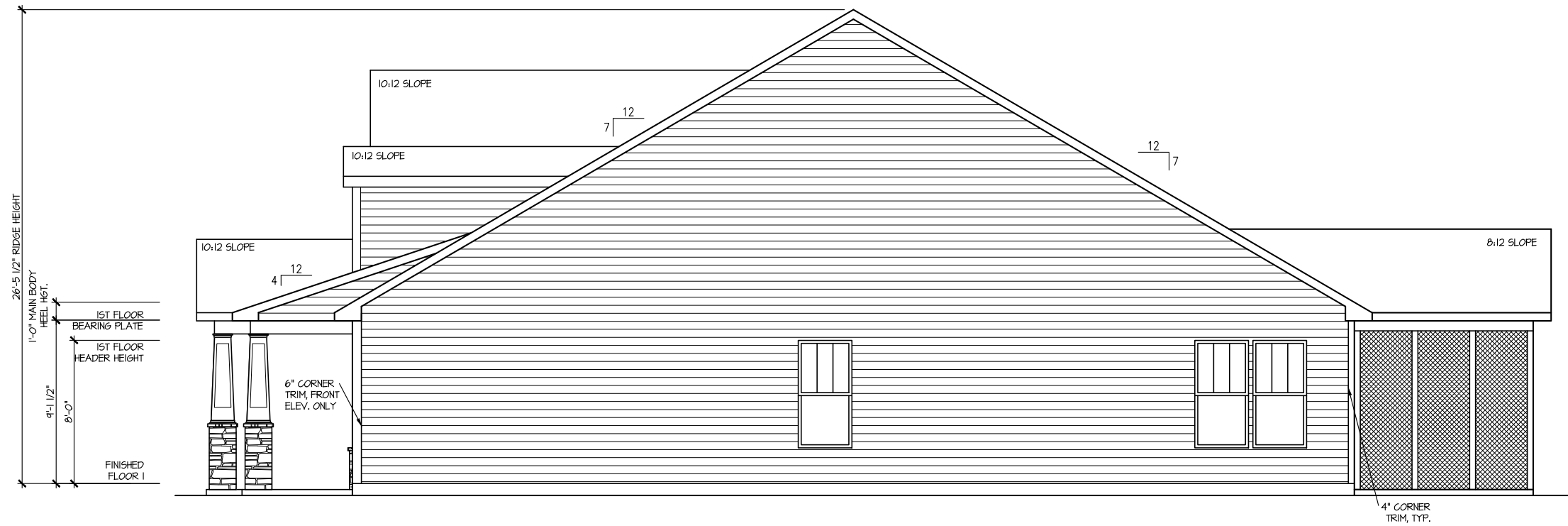
**REAR ELEVATION 9**  
SCALE: 1/8" = 1'-0"

MASTER PLAN INFORMATION	
REVISION	DATE
R3-RALE	02-24-22
UPDATED DATE	03-10-22

DRAWN BY: ITS  
DATE: 04/22/2022  
PLAN NO. 1777

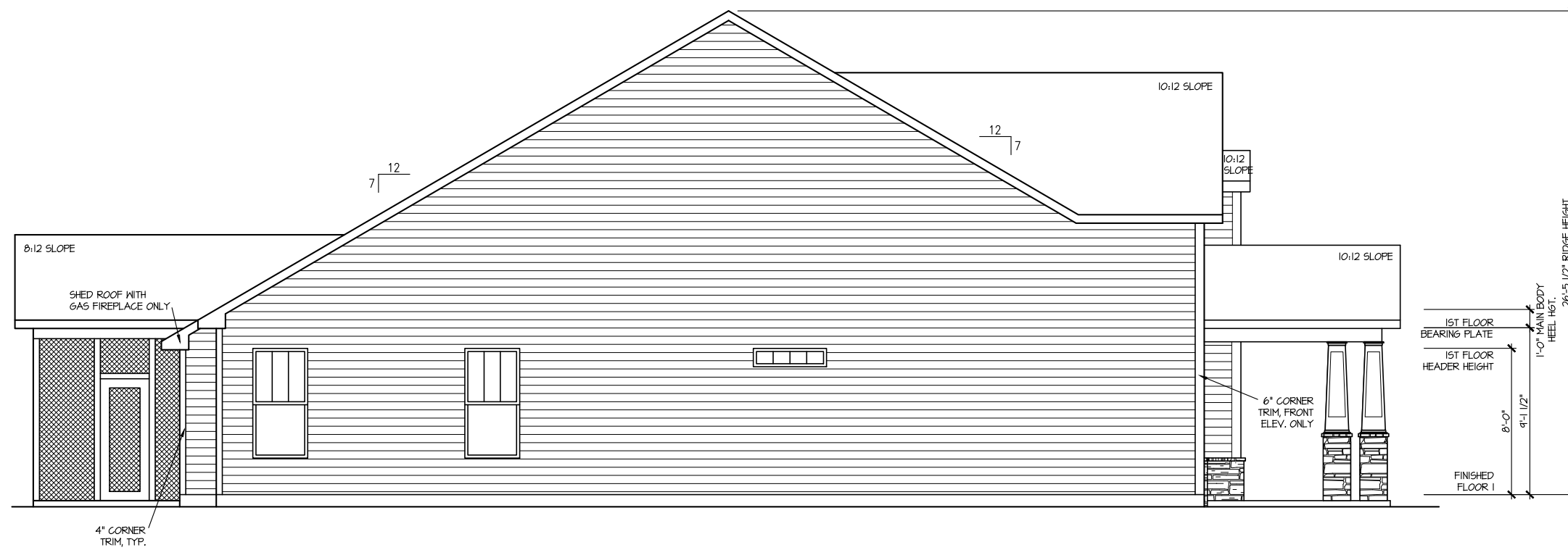
HOUSE NAME: COOPER 3  
DRAWING TITLE: FRONT & REAR ELEVATIONS

SHEET No. A.1



**RIGHT ELEVATION 9**

SCALE: 1/8" = 1'-0"



**LEFT ELEVATION 9**

SCALE: 1/8" = 1'-0"

MASTER PLAN INFORMATION

REVISION	DATE	UPDATED DATE
R3-RALE	02-24-22	03-10-22

DRAWN BY: ITS

DATE: 04/22/2022

PLAN NO. 1777



HOUSE NAME: COOPER 3

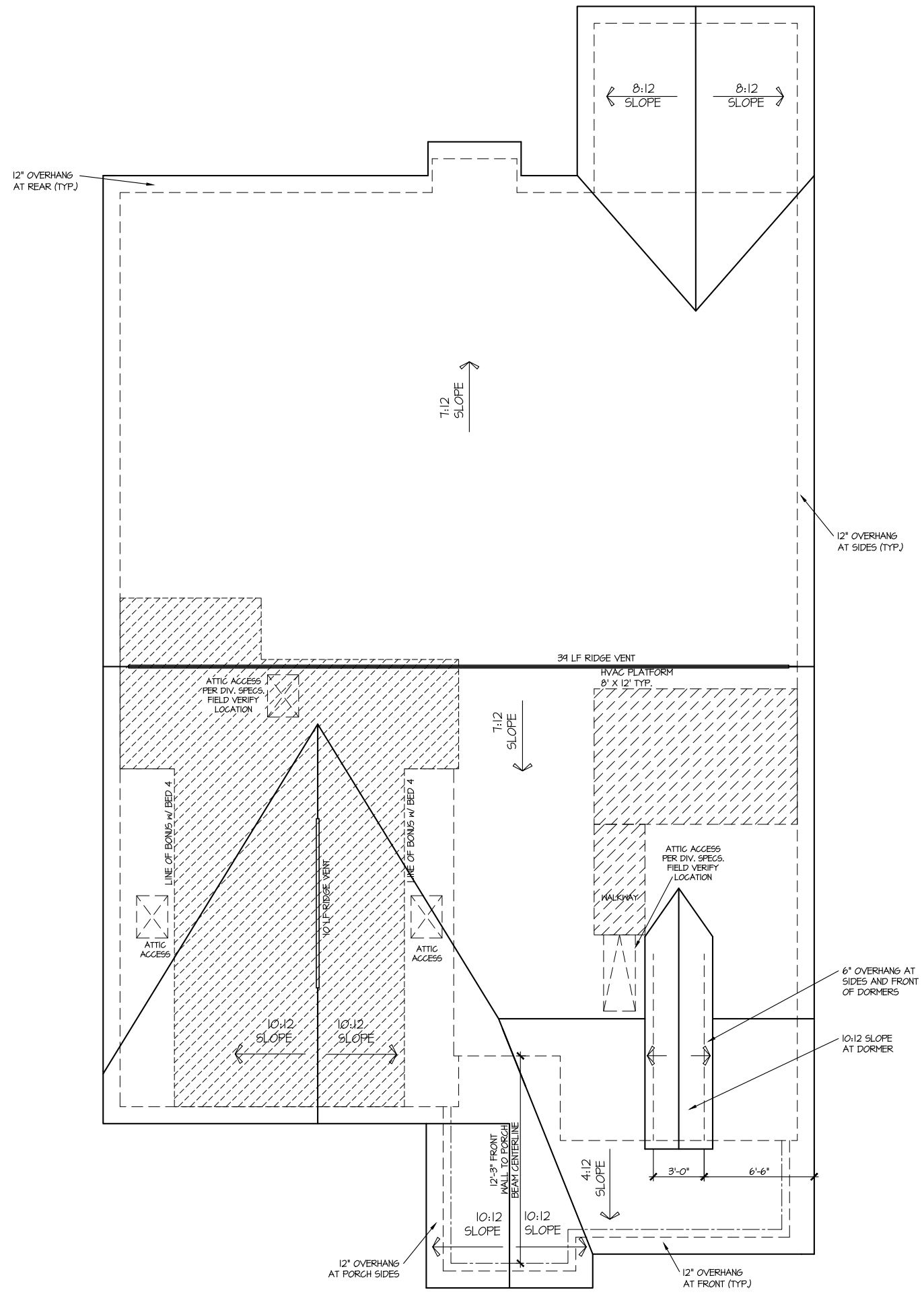
DRAWING TITLE

RIGHT & LEFT ELEVATIONS

SHEET No.

A1.2

**ROOF VENTILATION CALCULATIONS:**  
 ROOF AREA = 2466 SQ. FT.  
 OVERALL REQUIRED VENTILATION:  
 1 TO 150 = 16.44 SQ. FT.  
 1 TO 300 = 8.22 SQ. FT.  
 50-80% IN TOP THIRD = 4.11 = 6.18 SQ. FT. (1 TO 300)  
 NET FREE AREA OF VENTED SOFFIT = 5.1 SQ. IN. / LINEAR FT.  
 NET FREE AREA OF RIDGE VENT = 18 SQ. IN. / LINEAR FT.  
 LOWER VENTING (BOTTOM 2/3 RISE)  
 14 LINEAR FEET OF SOFFIT X 5.1 SQ. IN. = 2.49 SQ. FT.  
 UPPER VENTING (TOP 1/3 RISE)  
 44 LINEAR FEET OF RIDGE X 18 SQ. IN. = 6.18 SQ. FT.  
 6.18 SQ. FT. BETWEEN 50% - 80%  
 (1 TO 300 ALLOWED)  
 TOTAL ROOF VENTILATION: 7.81 SQ. FT. > 8.22 SQ. FT. (R01D)



**ROOF PLAN ELEV. 9**  
 SCALE: 1/8" = 1'-0"

MASTER PLAN INFORMATION

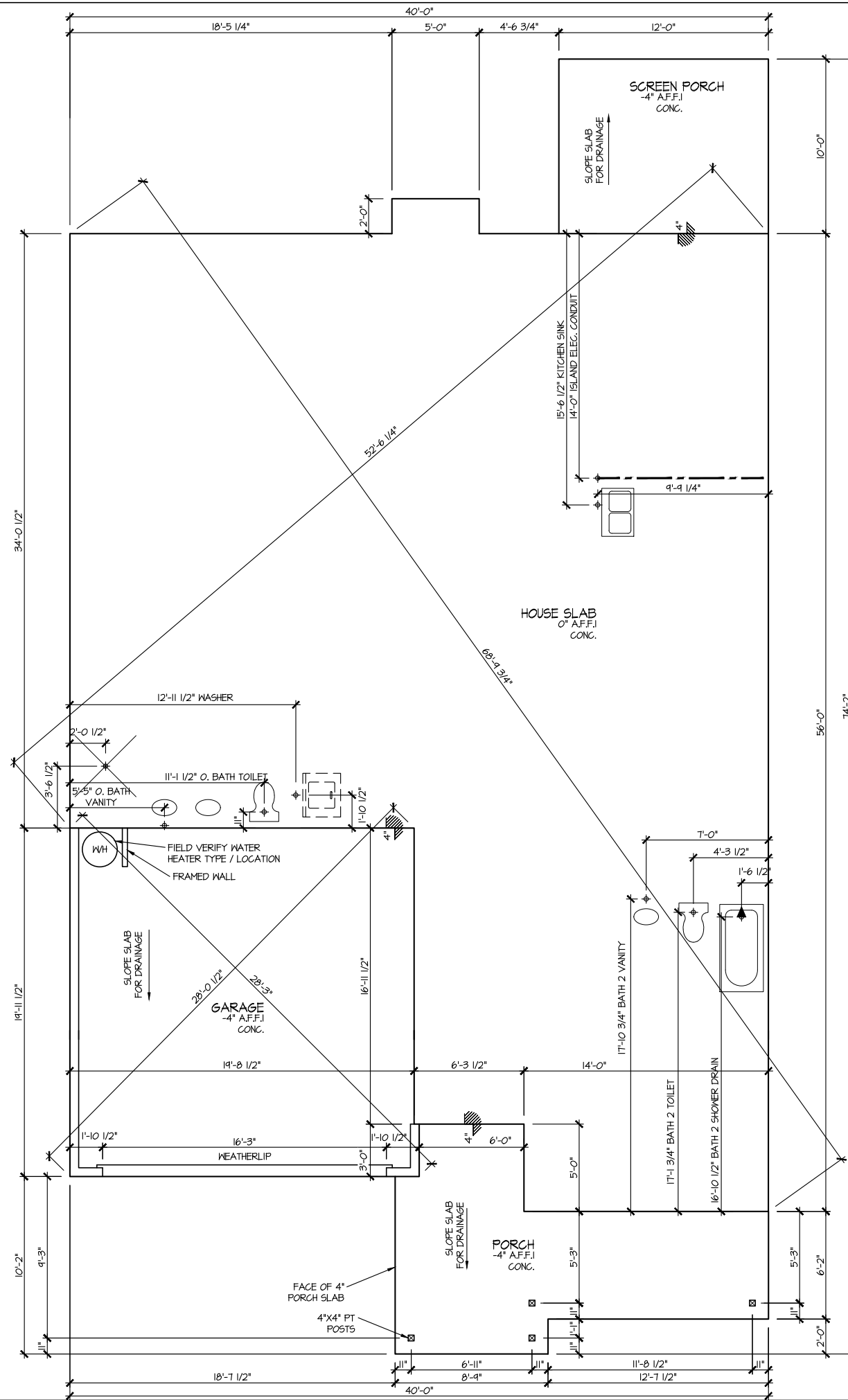
REVISION	DATE	UPDATED DATE
R3-RALE	02-24-22	03-10-22

DRAWN BY: ITS  
 DATE: 04/22/2022  
 PLAN NO. 1777

DRB GROUP  
 DRB FIELDING  
 DAN RYAN BUILDERS

HOUSE NAME: COOPER 3  
 DRAWING TITLE: ROOF PLAN

SHEET No. A13



**ELEVATION 9  
SLAB PLAN**  
SCALE: 1/8" = 1'-0"

MASTER PLAN INFORMATION

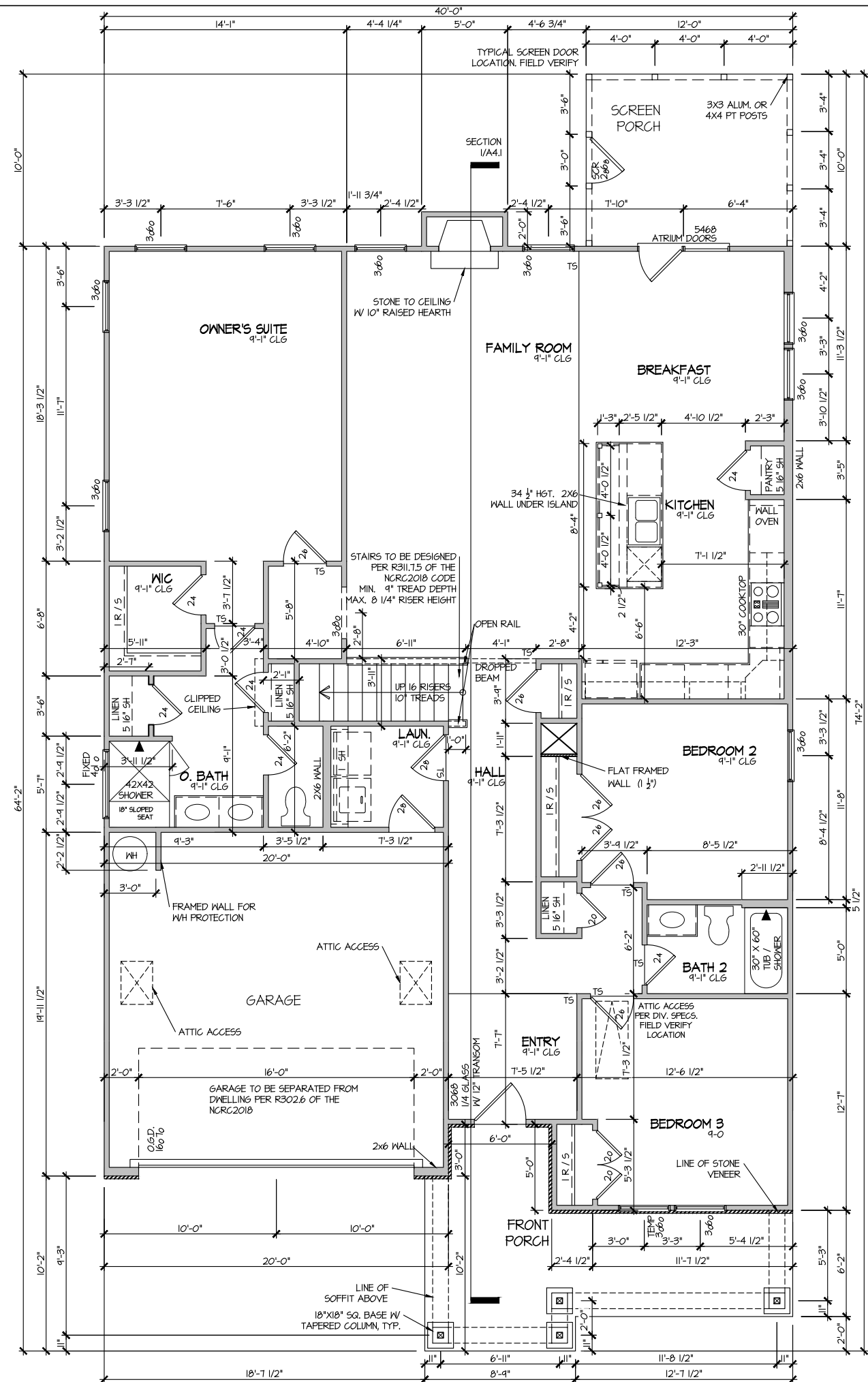
REVISION	DATE	UPDATED DATE
R3-RALE	02-24-22	03-10-22

DRAWN BY:  
ITS  
DATE:  
04/22/2022  
PLAN NO.  
1777



HOUSE NAME:  
**COOPER 3**  
DRAWING TITLE  
SLAB PLAN

SHEET No.  
**A2.1**



ELEVATION 9  
FIRST FLOOR PLAN  
SCALE: 1/8" = 1'-0"

FILE: Lot 00.0079 amendment.dwg DATE: 4/1/2022

MASTER PLAN INFORMATION	
REVISION	DATE
R3-RALE	02-24-22
UPDATED DATE	03-10-22

DRAWN BY:	ITS
DATE:	04/22/2022
PLAN NO.	1777

**DRB**  
DRB GROUP

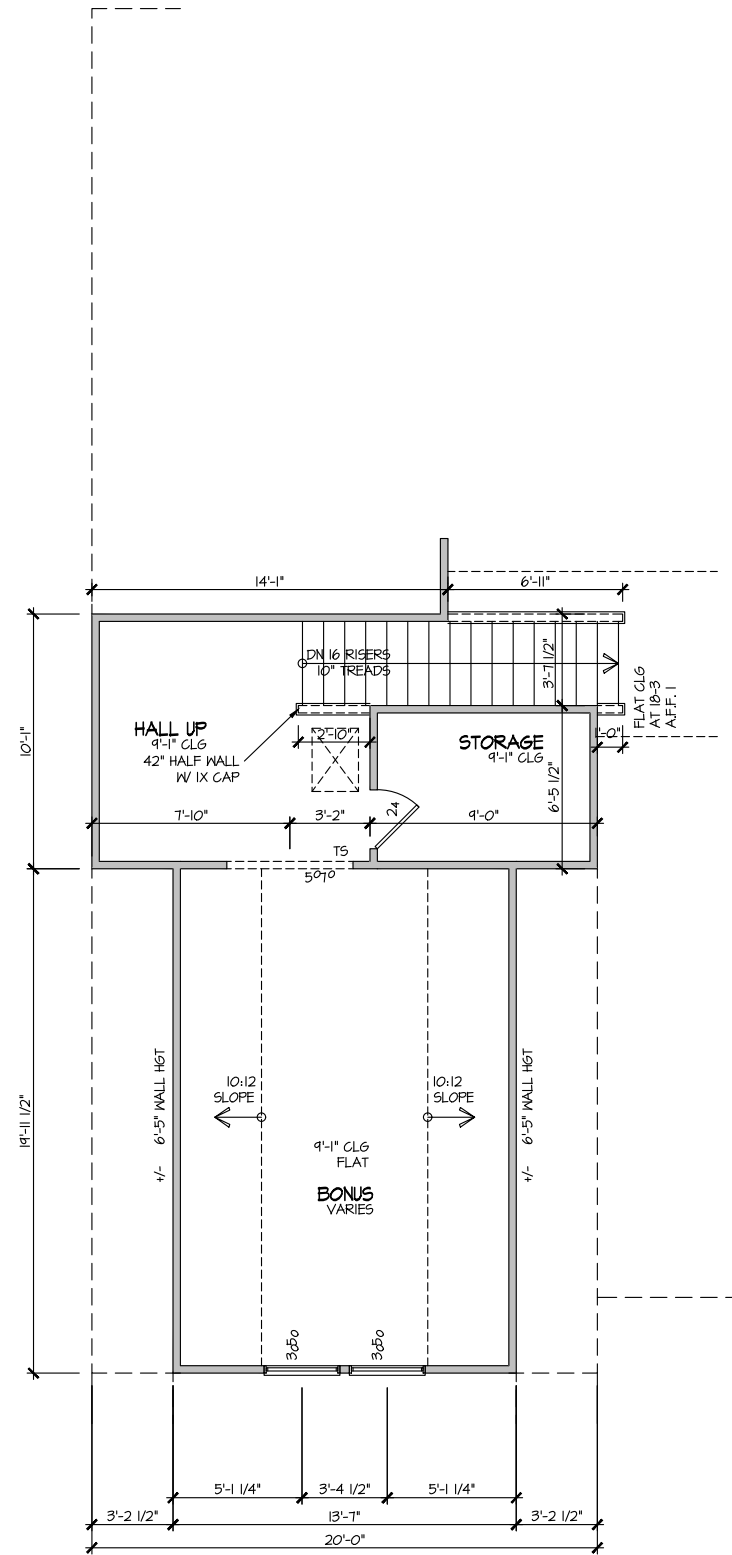
**DAN RYAN**  
DIVISION

**FIELDING**  
CORPORATION

**DRB**  
Central

HOUSE NAME:	COOPER 3
DRAWING TITLE	FIRST FLOOR PLAN

SHEET No.	A3.1
-----------	------



ELEVATION 9  
SECOND FLOOR PLAN

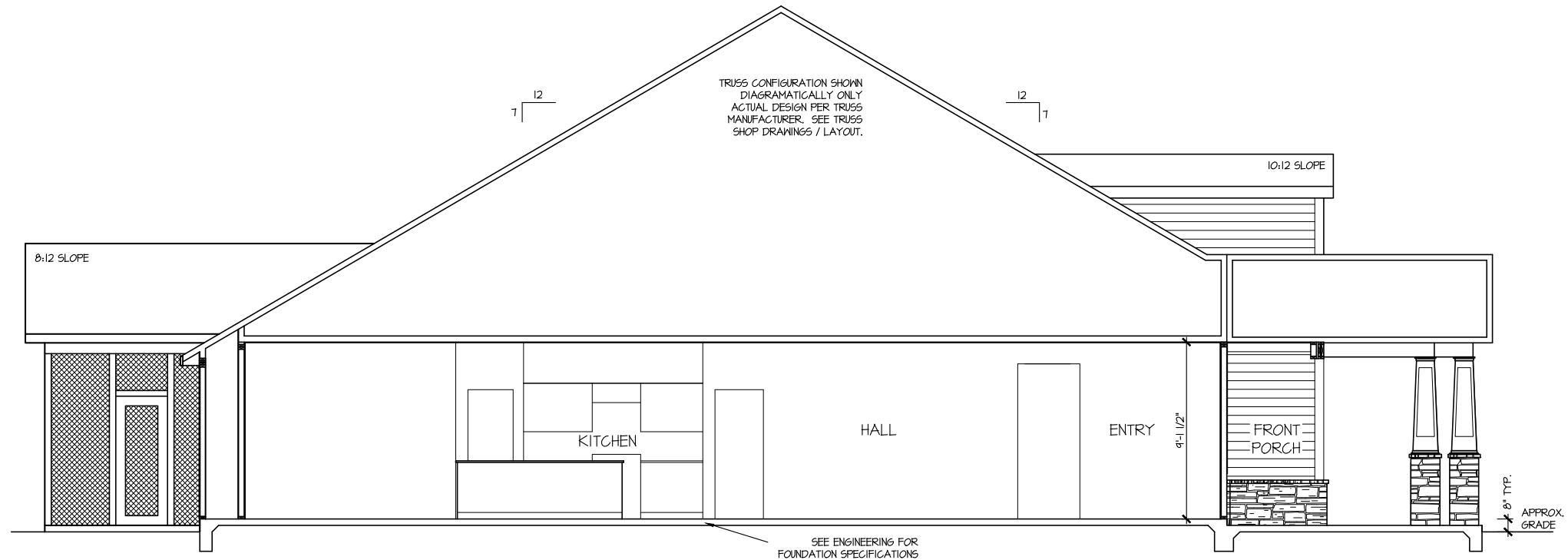
SCALE: 1/8" = 1'-0"

MASTER PLAN INFORMATION	
REVISION	DATE
R3-RALE	02-24-22
UPDATED DATE	03-10-22

DRAWN BY:	ITS
DATE:	04/22/2022
PLAN NO.	1777

HOUSE NAME:	COOPER 3
DRAWING TITLE	SECOND FLOOR PLAN

SHEET No.  
A3.2



**SECTION I**  
SCALE: 1/8" = 1'-0"

MASTER PLAN INFORMATION		UPDATED DATE
REVISION	DATE	03-10-22
R3-RALE	02-24-22	

DRAWN BY:	ITS
DATE:	04/22/2022
PLAN NO.	1777

DRB GROUP  
DRB FIELDING  
DRB Coastal

HOUSE NAME:	COOPER 3
DRAWING TITLE	BUILDING SECTION

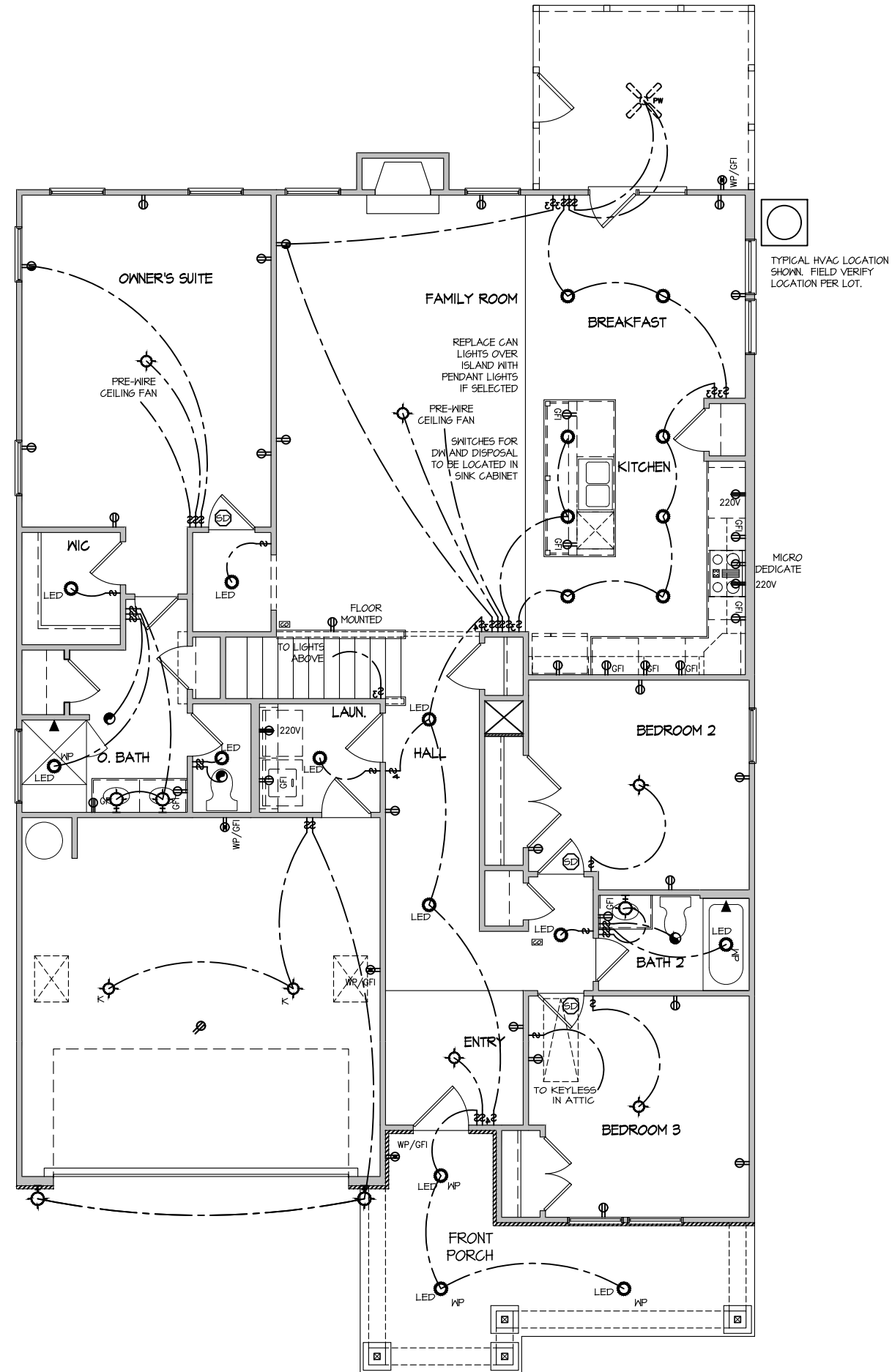
SHEET No.  
**A4.1**



**ELECTRICAL LEGEND**

- ⊘ SINGLE POLE SWITCH
- ⊘<sub>3</sub> THREE WAY SWITCH
- ⊘<sub>4</sub> FOUR WAY SWITCH
- ⊕ DUPLEX AFCI RECEPTACLE
- ⊕<sub>B</sub> DUPLEX AFCI RECEPTACLE - BOTTOM HALF SWITCHED
- ⊕<sub>F</sub> DUPLEX AFCI RECEPTACLE - FLOOR MOUNTED
- 220V ⊕ RECEPTACLE - 220V
- ⊕<sub>GFI</sub> DUPLEX AFCI RECEPTACLE - GFI
- ⊕<sub>WP/GFI</sub> DUPLEX AFCI RECEPTACLE - WATERPROOF GFI
- ⊕<sub>SD</sub> SMOKE DETECTOR - WIRED IN SERIES
- ⊕<sub>EF</sub> EXHAUST FAN MOTOR
- ⊕<sub>CO</sub> CO DETECTOR
- ⊕<sub>DC</sub> DOOR CHIME
- ⊕<sub>LM</sub> LIGHT FIXTURE - WALL MOUNTED
- ⊕<sub>CM</sub> LIGHT FIXTURE - CEILING MOUNTED
- ⊕<sub>RC</sub> LIGHT FIXTURE - RECESSED CAN
- ⊕<sub>LSM</sub> LIGHT FIXTURE - LED SURFACE MOUNTED
- ⊕<sub>FL</sub> FULLCHAIN LAMPHOLDER
- ⊕<sub>K</sub> KEYLESS LAMPHOLDER

NOTE: ALL ELECTRICAL WORK SHALL CONFORM TO THE REQUIREMENTS OF THE ADOPTED VERSION OF THE NATIONAL ELECTRICAL CODE, THE LOCAL POWER COMPANY AND TO ALL APPLICABLE LOCAL REGULATIONS.



**ELECTRICAL PLAN**  
**FIRST FLOOR - ELEV. 9**  
 SCALE: 1/8" = 1'-0"

MASTER PLAN INFORMATION	
REVISION DATE	02-24-22
REVISION	R3-RALE
UPDATED DATE	03-10-22

DRAWN BY:	ITS
DATE:	04/22/2022
PLAN NO.	1777





HOUSE NAME:	COOPER 3
DRAWING TITLE	FIRST FLOOR ELECTRICAL

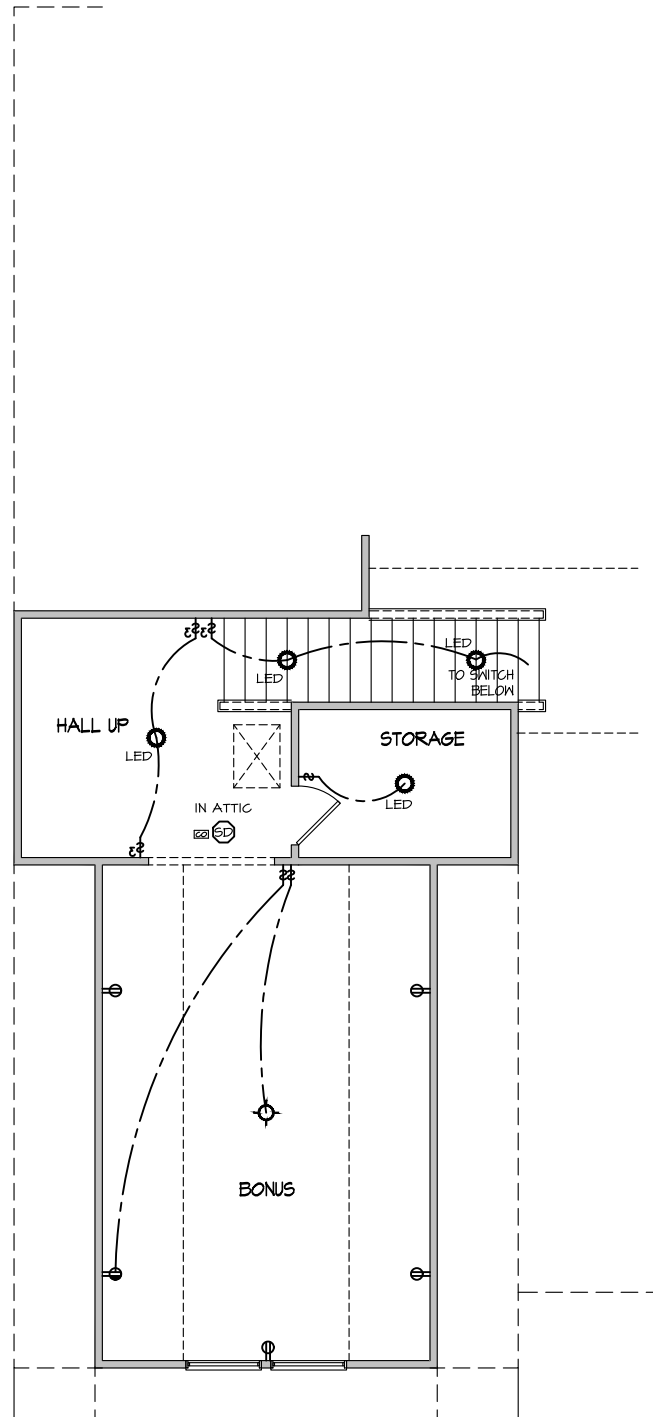
SHEET No.	E.I.
-----------	------

FILE: Lot 00.0079 amendment.dwg DATE: 4/1/2022

**ELECTRICAL LEGEND**

- Ⓢ SINGLE POLE SWITCH
- Ⓢ<sub>3</sub> THREE WAY SWITCH
- Ⓢ<sub>4</sub> FOUR WAY SWITCH
- ⓈⓈ DUPLEX AFCI RECEPTACLE
- ⓈⓈ<sub>B</sub> DUPLEX AFCI RECEPTACLE - BOTTOM HALF SWITCHED
- ⓈⓈ<sub>F</sub> DUPLEX AFCI RECEPTACLE - FLOOR MOUNTED
- 220V Ⓢ RECEPTACLE - 220V
- GF Ⓢ DUPLEX AFCI RECEPTACLE - GFI
- WP/GF Ⓢ DUPLEX AFCI RECEPTACLE - WATERPROOF GFI
- ⓈⓈ SMOKE DETECTOR - WIRED IN SERIES
- Ⓢ EXHAUST FAN MOTOR
- Ⓢ CO DETECTOR
- Ⓢ DOOR CHIME
- Ⓢ LIGHT FIXTURE - WALL MOUNTED
- Ⓢ LIGHT FIXTURE - CEILING MOUNTED
- Ⓢ LIGHT FIXTURE - RECESSED CAN
- Ⓢ<sub>LED</sub> LIGHT FIXTURE - LED SURFACE MOUNTED
- Ⓢ<sub>P</sub> FULLCHAIN LAMPHOLDER
- Ⓢ<sub>K</sub> KEYLESS LAMPHOLDER

NOTE: ALL ELECTRICAL WORK SHALL CONFORM TO THE REQUIREMENTS OF THE ADOPTED VERSION OF THE NATIONAL ELECTRICAL CODE, THE LOCAL POWER COMPANY AND TO ALL APPLICABLE LOCAL REGULATIONS.



**ELECTRICAL PLAN  
SECOND FLOOR - ELEV. 9**

SCALE: 1/8" = 1'-0"

MASTER PLAN INFORMATION

REVISION	DATE	UPDATED DATE
R3-RALE	02-24-22	03-10-22

DRAWN BY: ITS

DATE: 04/22/2022

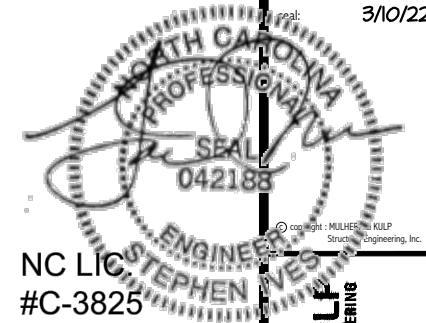
PLAN NO. 1777



HOUSE NAME: COOPER 3  
DRAWING TITLE: SECOND FLOOR ELECTRICAL

SHEET No.

E1.2



NC LIC #C-3825



M&K project number: 126-21030  
project mgr: JTR  
drawn by: KL  
issue date: 08-20-21  
REVISIONS:  
date: initial:  
03/09/22 JTS



STRUCTURAL NOTES  
COOPER 3 MODEL  
RALEIGH, NC

sheet: **50.0**

### LATERAL BRACING & SHEAR WALL SHEATHING SPECIFICATIONS

THIS MODEL HAS BEEN DESIGNED TO RESIST LATERAL FORCES RESULTING FROM:  
**120 MPH WIND IN 2018 NC SBC:RC**  
(120 MPH WIND SPEED IN ASCE 7-10 WIND MAP, PER IRC R301.2.1.1) EXP. B, RISK CAT. 2 & SEISMIC CAT. A/B.

THE DESIGN WAS COMPLETED PER 2015 IBC (SECTION 1609) & ASCE 7-10, AS PERMITTED BY R301.3 OF THE 2018 NC SBC:RC, OR THE SIMPLIFIED PRESCRIPTIVE PROCEDURE IN ACCORDANCE WITH THE 2015 IRC IF THE PARAMETERS OF SECTION R602.12 COMPLY. ACCORDINGLY, THIS MODEL, AS DOCUMENTED AND DETAILED HEREWITHIN, IS ADEQUATE TO RESIST THE CODE REQUIRED LATERAL FORCES.

DESIGN WIND UPLIFT LOADS HAVE BEEN CALCULATED UTILIZING ASCE 7-10 (ACCEPTED ENGINEERING PRACTICE) AS ALLOWED PER 2018 NC SBC:RC SECTION R802.11.1.1. THIS MODEL HAS BEEN DETAILED WHERE REQUIRED & ENGINEERED TO RESIST THE WIND UPLIFT LOAD PATH PER SECTIONS R602.3.5 & R802.11.

### EXT. WALL SHEATHING SPECIFICATION

- 7/16" OSB OR 15/32" PLYWOOD: FASTEN SHEATHING W/ 8d NAILS @ 6" O.C. AT EDGES & @ 12" O.C. IN THE PANEL FIELD. TYP. UNO.
- HORIZONTAL BLOCKING OF EXT. WALLS/SHEAR WALL PANEL EDGES IS NOT REQUIRED BY THIS DESIGN EXCEPT FOR THOSE AREAS SPECIFICALLY NOTED.
- ALL EXT. WALLS SHALL BE CONTINUOUSLY SHEATHED AND ARE CONSIDERED SHEAR WALLS.
- ALT. STAPLE CONNECTION SPEC: 1 1/2" 16 GA STAPLES (1/8" CROWN) @ 3" O.C. AT EDGES & @ 6" O.C. IN FIELD.

### BLOCKED PANEL EDGES

- AT DESIGNATED AREAS - FASTEN SHEATHING W/ 8d NAILS @ 6" O.C. AT ALL PANEL EDGES AND 12" O.C. IN THE PANEL FIELD OR 1 1/2" 16 GA STAPLES (1/8" CROWN) @ 3" O.C. AT EDGES & @ 6" O.C. IN FIELD. ALL SHEATHING PANELS SHALL BE ORIENTED AND INSTALLED FULL HEIGHT OF SHEAR WALL OR 2x HORIZONTAL BLOCKING SHALL BE PROVIDED TO SUPPORT ALL UNSUPPORTED PANEL EDGES & EDGE FASTENING.

### 3" O.C. EDGE NAILING

- AT DESIGNATED AREAS - FASTEN PANEL EDGES OF WOOD STRUCTURAL WALL SHEATHING TO FRAMING W/ 8d NAILS @ 3" O.C. NO STAPLE ALTERNATIVE AVAILABLE AT THIS SPEC. ALL SHEATHING PANELS SHALL BE ORIENTED AND INSTALLED FULL HEIGHT OF SHEAR WALL OR 2x HORIZONTAL BLOCKING SHALL BE PROVIDED TO SUPPORT UNSUPPORTED PANEL EDGES AND 3" O.C. EDGE FASTENING.

### NOTES

- SEE CONNECTION SPECIFICATIONS CHART FOR STANDARD SHEAR TRANSFER DETAILING. IF ADDITIONAL CAPACITY IS REQUIRED BY DESIGN, IT WILL BE SPECIFICALLY NOTED ON PLAN.
- DESIGN ASSUMES 16" O.C. MAX. STUD SPACING, UNO.
- ALL STRUCTURAL PANELS ARE TO BE DIRECTLY APPLIED TO STUD FRAMING.
- PRE-MANUFACTURED PANELIZED WALLS: FASTEN TOGETHER END STUDS OF WALL PANELS SHEATHED W/ OSB OR PLYWOOD W/ 10d NAILS @ 4" O.C. (THRU ONE SIDE ONLY)
- INDICATES EXTENT OF INT. OSB SHEARWALL OR 3" O.C. OSB SHEARWALL.
- ▶ INDICATES HOLD-DOWN BELOW

### FLOOR FRAMING

- I-JOISTS/TRUSSES SHALL BE DESIGNED BY MANUF. TO MEET OR EXCEED L/480 LIVE LOAD DEFLECTION CRITERIA. (EXCLUDES MARBLE FLOORS - CONTACT MKR FOR MARBLE FLOOR DESIGNS)
- AT I-JOIST FLOORS, PROVIDE 1 1/8" MIN. OSB RIM BOARD.
- METAL HANGERS SHALL BE SPECIFIED BY MANUFACTURER, UNO.
- I-JOIST/TRUSS SHOP DWGS. SHALL BE SUBMITTED TO ARCH. & ENG. FOR REVIEW AND APPROVAL PRIOR TO FABRICATION OR DELIVERY.
- FLOOR SHEATHING SHALL BE 23/32" A.P.A. RATED 'STURD-I-FLOOR' 24" O.C. EXPOSURE 1 (OR APPROVED EQUAL) WITH TONGUE AND GROOVE EDGES. FASTEN TO FRAMING MEMBERS W/ GLUE AND:
  - 2 1/2" x 0.131" NAILS @ 6" O.C. @ PANEL EDGES & @ 12" O.C. FIELD.
  - 2 3/8" x 0.120" NAILS @ 4" O.C. @ PANEL EDGES & @ 8" O.C. FIELD.
  - 2 3/8" x 0.113" NAILS @ 3" O.C. @ PANEL EDGES & @ 6" O.C. IN FIELD.

### ROOF FRAMING

- BAY WINDOWS & SHED ROOFS (UP TO 6' SPAN) CAN BE 2x4 OR 2x6 RAFTERS & CEILING JOISTS @ 16/24" O.C.
- FASTEN EACH ROOF TRUSS TO TOP PLATE W/ SIMPSON H25T CLIP (OR APPROVED EQUAL) @ ALL BEARING POINTS. PROVIDE (2) H25T CLIPS AT 2-PLY GIRDER TRUSSES, (3) H25T CLIPS AT 3-PLY GIRDER TRUSSES & ROOF BEAMS - AT ALL BEARING POINTS.
- METAL HANGERS SHALL BE SPECIFIED BY THE MANUFACTURER, UNO.
- ROOF TRUSS SHOP DWGS. SHALL BE SUBMITTED TO ARCH. & ENG. FOR REVIEW AND APPROVAL PRIOR TO FABRICATION OR DELIVERY.
- ERECT AND INSTALL ROOF TRUSSES PER WTCA & TPI'S BCSI 1-08 "GUIDE TO GOOD PRACTICE FOR HANDLING, INSTALLING & BRACING OF METAL PLATE CONNECTED WOOD TRUSSES."
- SUPPORT PORCH & SHORT SPAN ROOF TRUSSES (MAX 7' SPAN) W/ 2x4 LEDGER FASTENED TO:
  - RIM BOARD W/ (2) 3"x0.131" NAILS @ 16" O.C. MAX. (I-JOISTS)
  - TRUSS VERTICALS W/ (3) 3"x0.131" NAILS @ 19.2" O.C. MAX. (FLOOR TRUSSES)
- ROOF SHEATHING SHALL BE 7/16" A.P.A. RATED SHEATHING 24/16 EXPOSURE 1 (OR APPROVED EQUAL). FASTEN TO FRAMING MEMBERS:
  - W/ 2 1/2" x 0.131" NAILS @ 6" O.C. @ PANEL EDGES & @ 12" O.C. FIELD.
  - W/ 2 3/8" x 0.120" NAILS @ 4" O.C. @ PANEL EDGES & @ 8" O.C. FIELD.
  - W/ 2 3/8" x 0.113" NAILS @ 3" O.C. @ PANEL EDGES & @ 6" O.C. FIELD.

### HOLD-DOWN SCHEDULE

SYMBOL	SPECIFICATION
▶ HD-1	SIMPSON HTT4 HOLD-DOWN *
▶ HD-2	SIMPSON MSTC66 STRAP TIE (CENTER STRAP ON FLOOR SYSTEM UNO.)
▶ HD-3	SIMPSON STHD14RJ HOLD-DOWN

ALTERNATIVE TO S61B24 ANCHOR BOLT SPECIFICATION:  
 \* UTILIZE SIMPSON "SET" EPOXY SYSTEM TO FASTEN 3/8" DIA. THREADED ROD INTO CONCRETE FOUNDATION. PROVIDE 12" MIN. EMBEDMENT INTO CONCRETE. INSTALL PER MANUF. RECOMMENDATIONS. DO NOT LOCATE ANCHORS WITHIN 1 3/4" OF EDGE OF FOUNDATION.

### LEGEND

- [Symbol] INTERIOR BEARING WALL
- [Symbol] BEARING WALL ABOVE
- [Symbol] BEAM / HEADER
- [Symbol] INDICATES SHEAR WALL & EXTENT
- [Symbol] EXTENT OF OVERFRAMING
- JL METAL HANGER
- [Symbol] INDICATES POST ABOVE. PROVIDE SOLID BLOCKING UNDER POST OR JAMB ABOVE.
- ▶ INDICATES HOLD-DOWN OR STRAP. REFER TO SCHEDULE.

### NON-BEARING HEADER SCHEDULE

SPAN	2x4 NON-BEARING PARTITION WALL	2x6 NON-BEARING PARTITION WALL
UP TO 3'-0"	(1)2x4 FLAT	(1)2x6 FLAT
UP TO 6'-0"	(2)2x4	(3)2x4
UP TO 8'-0"	(2)2x6	(3)2x6

NOTES:  
 • ALL NON-BEARING INTERIOR STUD WALLS SHALL BE CONSTRUCTED WITH 2x 'STUD' GRADE MEMBERS SPACED @ 24" O.C. (MAX.)

### GENERAL STRUCTURAL NOTES

- DESIGN IS BASED ON 2018 NORTH CAROLINA STATE BUILDING CODE, RESIDENTIAL CODE.
- WOOD FRAME ENGINEERING IS BASED ON NDS, "NATIONAL DESIGN SPECIFICATION FOR WOOD CONSTRUCTION" - LATEST EDITION.
- DESIGN LOADS:
  - ROOF DEAD = 7 PSF T.C., 10 PSF B.C. LIVE = 16 PSF LOAD DURATION FACTOR = 1.25
  - FLOOR LIVE = 40 PSF (30 PSF @ SLEEPING AREAS) DEAD = 10 PSF (I-JOISTS & SOLID SAWN) 10 PSF T.C., 5 PSF B.C. (TRUSSES) (ADD'L 10 PSF @ TILE)
  - LATERAL 120 MPH, EXPOSURE B. SEISMIC A/B.
  - SOIL 2,000 PSF ASSUMED ALLOWABLE BEARING PRESSURE (TO BE VERIFIED BY BUILDER)

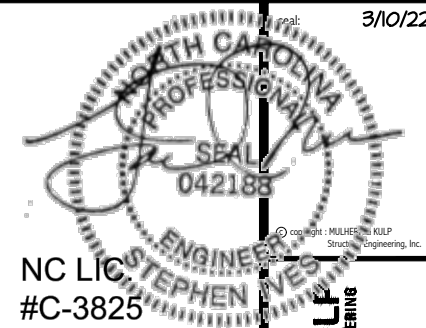
### GENERAL FRAMING

- ALL TYP. NAIL FASTENER REQUIREMENTS ARE NOTED IN STANDARD CONNECTIONS TABLE OR ON PLANS. ALL NAILS SPECIFIED ARE MIN DIAMETER AND LENGTH REQUIRED FOR CONNECTION. ALL HANGER NAILS SHALL BE INSTALLED PER MANUFACTURER'S REQUIREMENTS FOR MAX CHARTED CAPACITY. NOTE: HANGERS USE COMMON NAIL DIAMETERS NOT TYPICAL FRAMING GUN NAILS.
- REFER TO FASTENING SCHEDULE TABLE R602.3(1) FOR ALL CONNECTIONS, TYP. UNO.
- EXT. & INT. BRG WALLS SHALL BE 2x4 OR 2x6 (AS SHOWN ON PLANS) @ 16" O.C. SFF OR 5YP "STUD" GRADE LUMBER, OR BETTER, UNO.
  - WALLS OVER 12' TALL SHALL BE PER PLAN.
- ALL HEADERS, BEAMS & OTHER STRUCTURAL MEMBERS SHALL BE SPRUCE-PINE-FIR #2 (SPP) OR SOUTHERN PINE #2 (SP) LUMBER, OR BETTER (KILN-DRIED). ALL HEADERS HAVE BEEN DESIGNED BASED ON CALCULATED LOADS & SIZED ACCORDINGLY. CODE TABLES HAVE NOT BEEN USED.
- ALL NON-BEARING INTERIOR STUD WALLS SHALL BE CONSTRUCTED WITH 2x 'STUD' GRADE MEMBERS SPACED @ 16" O.C. (MAX. UNO.)
  - HEADERS IN NON-LOAD BEARING WALLS SHALL BE: (1)2x4/6 FLAT @ OPENINGS UP TO 4'; (2)2x4/6 FLAT UP TO 8'.
- ALL FRAMING LUMBER SHALL BE DRIED TO 15% MC (KD-15).
- ENGINEERED LUMBER TO MEET OR EXCEED THE FOLLOWING:
  - LSL - Fb=2325 psi; Fv=310 psi; E=1.55x10<sup>6</sup> psi
  - LVL - Fb=2600 psi; Fv=285 psi; E=2.0x10<sup>6</sup> psi
- FOR 2 & 3 PLY BEAMS OF EQUAL WIDTH, FASTEN PLYS TOGETHER WITH 3 ROWS OF 3"x0.120" NAILS @ 8" O.C. OR 2 ROWS 1/4"x3/8" SIMPSON SDS SCREWS (OR 3/8" TRUSSLOK SCREWS) @ 16" O.C. USE A MINIMUM OF 3 ROWS FOR BEAM DEPTHS OF 14" OR GREATER. APPLY FASTENING AT BOTH FACES FOR 3-PLY CONDITION. LOCATE TOP & BOTTOM NAILS/SCREWS 2" FROM EDGE. SOLID 3 1/2" OR 5 1/4" BEAMS ARE ACCEPTABLE. USE 2 ROWS OF NAILS FOR 2x6 & 2x8 MEMBERS.
- FOR 4 PLY BEAMS OF EQUAL WIDTH, FASTEN PLYS TOGETHER WITH 3 ROWS OF 1/4"x6" SIMPSON SDS SCREWS (OR 6 3/4" TRUSSLOK SCREWS) @ 16" O.C. USE A MINIMUM OF 4 ROWS FOR BEAM DEPTHS OF 14" OR GREATER. APPLY FASTENING AT BOTH FACES (ONE SIDE ONLY FOR TRUSSLOK SCREWS). LOCATE TOP AND BOTTOM SCREWS 2" FROM EDGE. A SOLID 7" BEAM IS ACCEPTABLE.
- ALL HEADERS SHALL BE SUPPORTED BY (1)2x JACK STUD & (1)2x KING STUD, MINIMUM.
  - THE NUMBER OF STUDS SPECIFIED AT A SUPPORT INDICATES THE NUMBER OF JACK STUDS REQUIRED, UNO.
- ALL MULTI-PLY STUDS TO BE FASTENED TOGETHER W/ 3"x0.131" NAILS @ 24" O.C. (MIN), EACH PLY.
- PROVIDE SOLID BLOCKING IN FLOOR SYSTEM UNDER ALL POSTS CONTINUOUS TO FND/BEARING. BLOCKING TO MATCH POST ABOVE.
- FASTEN 2x WOOD PLATES TO TOP FLANGE OF STEEL BEAMS WITH P.A.F.'s (HILTI) X-CF PINS OR EQUAL @ 16" O.C. STAGGERED, OR 1/2" DIA. BOLTS @ 48" O.C. STAGGERED.
- ALL EXTERIOR 4x4 WOOD POSTS SHALL HAVE SIMPSON BC52-2/4 CAP & ABW44Z BASE, UNO.

### GENERAL STRUCTURAL NOTES

#### FOUNDATION

- DESIGN IS BASED ON 2018 NORTH CAROLINA STATE BUILDING CODE, RESIDENTIAL CODE.
- FOOTING DESIGN - 2,000 PSF ALLOWABLE SOIL BEARING PRESSURE IS ASSUMED. BUILDER/CONTRACTOR MUST VERIFY.
- FASTEN 2x4/6 SILL PLATES TO FND WITH A MINIMUM OF 2 ANCHORS PER PLATE, 12" MAX. FROM PLATE ENDS - UTILIZING:
  - 1/2" DIA. ANCHOR BOLTS @ 6'-0" O.C., 1" MIN. EMBEDMENT (CONC), 15" MIN. EMBEDMENT (CMU)
  - SIMPSON MASA ANCHOR STRAPS @ 6'-0" O.C. (CONC)
  - SIMPSON MAB23 ANCHOR STRAPS @ 2'-8" O.C. (CMU)
 (REFER TO DETAILS FOR 10' TALL WALL ANCHOR REQUIREMENTS)
- ALL LUMBER EXPOSED TO WEATHER OR IN CONTACT W/ CONCRETE OR CMU SHALL BE PRESERVATIVE TREATED SOUTHERN PINE #2.
- BUILDER TO VERIFY CORROSION-RESISTANCE COMPATIBILITY OF HARDWARE & FASTENERS IN CONTACT W/ PRESERVATIVE-TREATED WOOD. CONTACT LUMBER & HARDWARE SUPPLIERS TO COORD.
- BASEMENT INTERIOR BEARING WALLS & EXTERIOR WALK-OUT BASEMENT WALLS SHALL BE 2x6 @ 16" O.C. SFF OR 5YP, "STUD" GRADE OR BETTER.
- CONCRETE DESIGN BASED ON ACI 318. CONCRETE SHALL ATTAIN THE FOLLOWING MIN. COMPRESSIVE STRENGTHS IN 28 DAYS, UNO.:
  - f'c = 4,000 psi: ..... FOUNDATION WALLS
  - 2,500 psi: ..... FOOTINGS & INTERIOR SLABS ON GRADE
  - 3,000 psi: ..... GARAGE & EXTERIOR SLABS ON GRADE
  - f'y = 60,000 psi
- BASEMENT FOUNDATION WALL DESIGN BASED ON:
  - 9' OR 10' HEIGHT (AS NOTED ON PLANS)
  - TALLER WALLS MUST BE ENGINEERED.
  - NOMINAL WIDTH (1 1/2" FOR 10" THICK WALL).
- BASEMENT WALL DESIGN IS BASED ON 60 PCF BACKFILL SOIL TYPE CLASSIFICATIONS (SC, ML-CI, OR CL).
- BASEMENT WALLS SHALL BE BRACED, PRIOR TO BACKFILLING, BY ADEQUATE TEMPORARY BRACING OR INSTALL 1st FLOOR DECK.
- PROVIDE (2) #5 BARS AROUND ALL SIDES OF OPENINGS IN CONCRETE BSMT. FND. WALL WITH 2" CLEAR. REINFORCEMENT SHALL EXTEND 12" PAST CORNER OF OPENING IN ALL DIRECTIONS.
  - FOR OPENINGS UP TO 36", PROVIDE MINIMUM 10" CONCRETE DEPTH OVER OPENING OR (3)2x10 W/ (2)2x6 JACK STUDS, UNO.
  - LARGER OPENINGS SHALL BE PER PLAN.
- ALL CONCRETE EXPOSED TO THE WEATHER SHALL NOT HAVE LESS THAN 5% OR MORE THAN 1% AIR ENTRAINMENT.
- ALL FOOTINGS SHALL BEAR AT LEAST 12" BELOW FINISH GRADE.
- FOOTINGS AND SLABS ON GRADE SHALL BEAR ON VIRGIN SOIL OR 15% COMPACTED FILL.
- PROVIDE CONTROL JOINTS AT ALL INSIDE CORNERS OF SLAB EDGES, AND OTHER LOCATIONS WHERE SLAB CRACKS ARE LIKELY TO DEVELOP.
  - JOINTS SHALL BE LOCATED @ 10'-0" O.C. (RECOMMENDED) OR 15'-0" O.C. (MAXIMUM)
  - JOINT GRID PATTERN SHALL BE AS CLOSE TO SQUARES AS POSSIBLE (1:1 RATIO), WITH A MAXIMUM OF 1:1.5 RATIO
  - CONTROL JOINTS SHALL NOT BE INSTALLED IN STRUCTURAL SLABS
- CONCRETE MASONRY UNITS (CMU) SHALL BE ASTM C90 WITH A MIN. COMPRESSIVE STRENGTH OF 1900 psi (Fm=1500 psi). MORTAR SHALL BE ASTM C270, TYPE S. CMU DESIGN PER ACI 530 & 530.1.
- CMU FOUNDATION WALLS SHALL HAVE "DUR-O-WALL" HORIZONTAL JOINT REINFORCEMENT (OR EQUAL) - 1 GA. MINIMUM @ 16" O.C.
- PROVIDE 2x8 x 16" LONG P.T. PLATE ON TOP OF ALL CRAWL SPACE PIERS. ALL PIERS SHALL BE GROUTED SOLID.
- PROVIDE 2x6 P.T. PLATE ON INTERIOR CRAWL SPACE WALLS, FASTENED PER ANCHORAGE SPECIFICATION NOTED ABOVE.
- DIMENSIONS BY OTHERS, BUILDER TO VERIFY.
- BUILDER TO VERIFY THAT MODEL HAS BEEN ADEQUATELY TREATED BY A LICENSED AND BONDED PEST CONTROL COMPANY FOR SUBTERRANEAN TERMITES. METHOD AND TYPE OF TREATMENT TO BE DETERMINED BY PEST CONTROL COMPANY.



**MULHERN+KULF**  
RESIDENTIAL STRUCTURAL ENGINEERING  
300 Beaveste Ave, Building 4 - Asheville, PA 19002  
P 215-546-8800 | mulhern+kulf.com

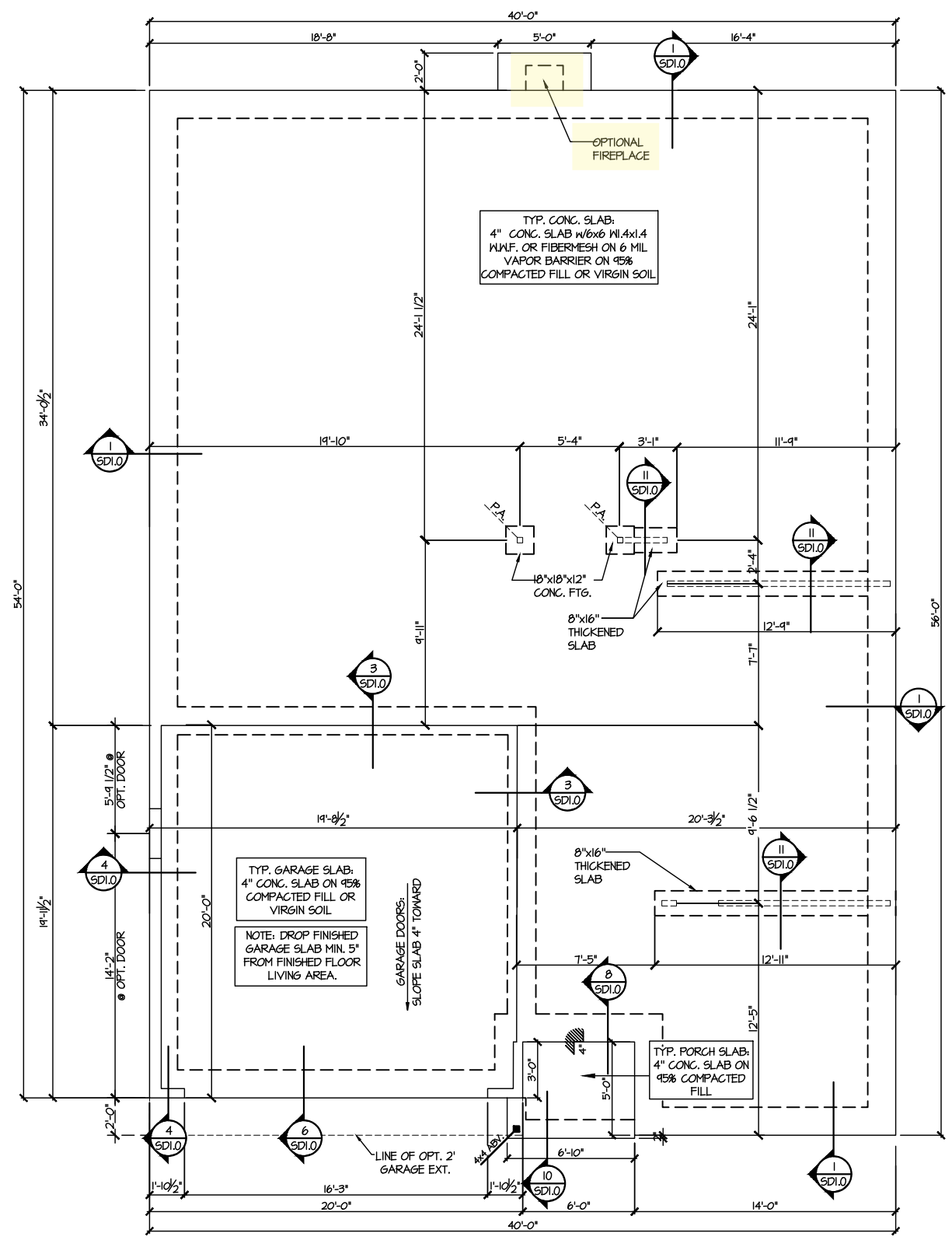
M&K project number:  
126-21030  
project mgr: JTR  
drawn by: KL  
issue date: 08-20-21

REVISIONS:  
date: initial:  
03/09/22 JTS

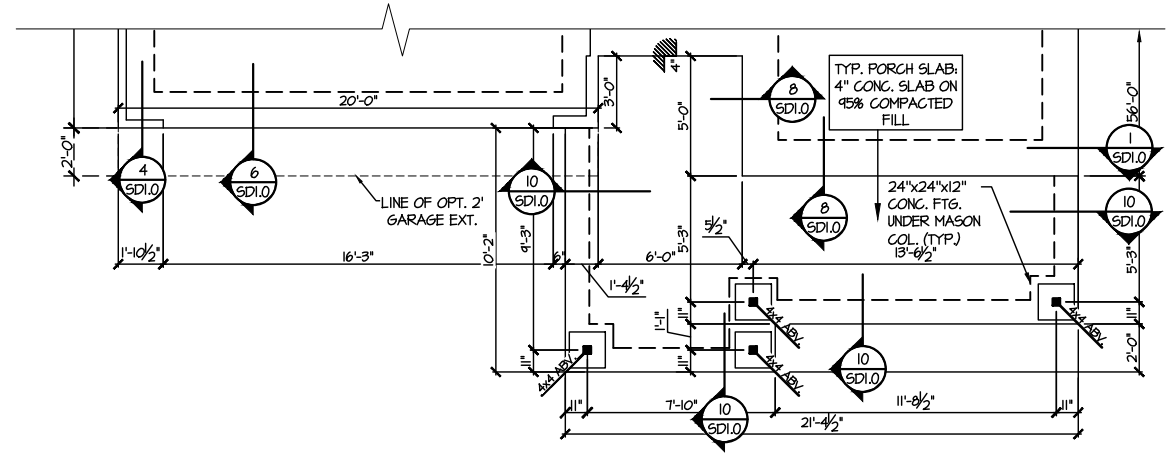


FOUNDATION PLANS  
COOPER 3 MODEL  
RALEIGH, NC

sheet: LEFT HAND  
**S1.0**



**1 MONO SLAB FOUNDATION PLAN**  
SCALE: 1/8"=1'-0"  
ELEV. #1

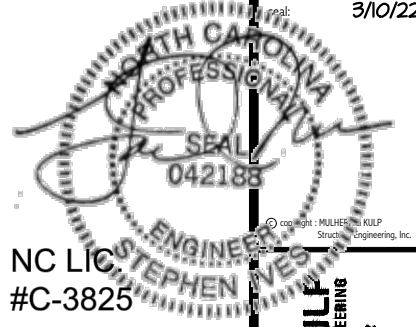


**5 PARTIAL MONO SLAB FOUNDATION PLAN**  
SCALE: 1/8"=1'-0"  
ELEVATION #4

**LEGEND**

- ▬ INTERIOR BEARING WALL
- - - BEARING WALL ABOVE
- BEAM / HEADER
- - - INDICATES SHEAR WALL & EXTENT
- ▨ EXTENT OF OVERFRAMING
- JL METAL HANGER
- \* INDICATES POST ABOVE. PROVIDE SOLID BLOCKING UNDER POST OR JAMB ABOVE.
- ▶ INDICATES HOLD-DOWN OR STRAP. REFER TO SCHEDULE.

REFER TO S.O. FOR  
TYPICAL STRUCTURAL NOTES  
& SCHEDULES



NC LIC #C-3825



M&K project number:  
126-21030  
project mgr: JTR  
drawn by: KL  
issue date: 08-20-21

REVISIONS:  
date: 03/09/22 initial: JTS



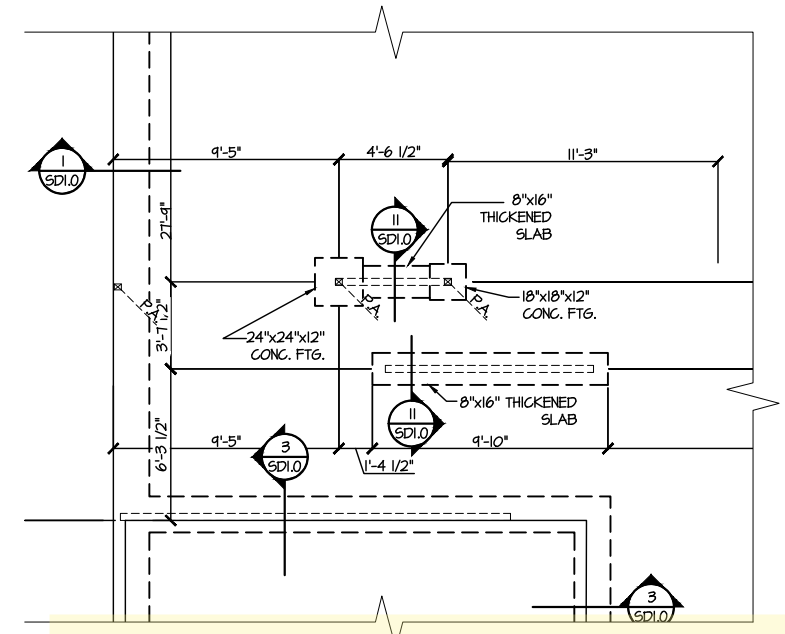
FOUNDATION PLANS  
COOPER 3 MODEL  
RALEIGH, NC

sheet LEFT HAND  
**S1.1**

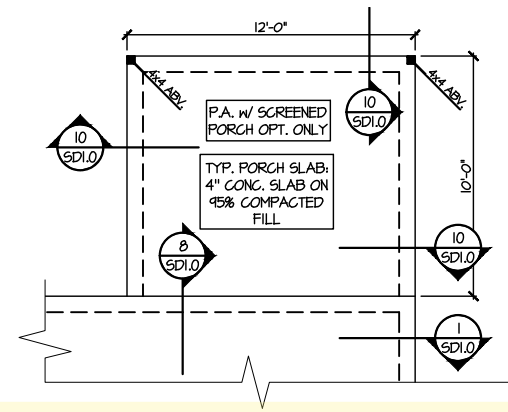
**LEGEND**

- [Symbol] INTERIOR BEARING WALL
- [Symbol] BEARING WALL ABOVE
- [Symbol] BEAM / HEADER
- [Symbol] INDICATES SHEAR WALL & EXTENT
- [Symbol] EXTENT OF OVERFRAMING
- [Symbol] METAL HANGER
- [Symbol] INDICATES POST ABOVE. PROVIDE SOLID BLOCKING UNDER POST OR JAMB ABOVE.
- [Symbol] INDICATES HOLD-DOWN OR STRAP. REFER TO SCHEDULE.

**REFER TO SO.0 FOR TYPICAL STRUCTURAL NOTES & SCHEDULES**



**1 PARTIAL MONO SLAB FOUNDATION PLAN**  
OPTIONAL BONUS ROOM  
SCALE: 1/8"=1'-0" ELEV. #1 SHOWN - ALL ELEV. SIM.



**3 PARTIAL MONO SLAB FOUNDATION PLAN**  
SCALE: 1/8"=1'-0" OPTIONAL PATIO & SCREENED PORCH

REFER TO S0.0 FOR  
TYPICAL STRUCTURAL NOTES  
& SCHEDULES

**LEGEND**

- ▬ INTERIOR BEARING WALL
- ▬ BEARING WALL ABOVE
- ▬ BEAM / HEADER
- ▬ INDICATES SHEAR WALL & EXTENT
- ▬ EXTENT OF OVERFRAMING
- ⌋ METAL HANGER
- \* INDICATES POST ABOVE, PROVIDE SOLID BLOCKING UNDER POST OR JAMB ABOVE.
- ▶ INDICATES HOLD-DOWN OR STRAP. REFER TO SCHEDULE.

SEAL  
042188  
ENGINEER  
STEPHEN IVES  
NC LIC #C-3825

**MULHERN+KULP**  
RESIDENTIAL STRUCTURAL ENGINEERING  
300 Beavertide Ave, Building 4 - Asheville, PA 17002  
P 215-546-8801 • mulhern+kulp.com

M&K project number: 126-21030

project mgr: JTR  
drawn by: KL  
issue date: 08-20-21

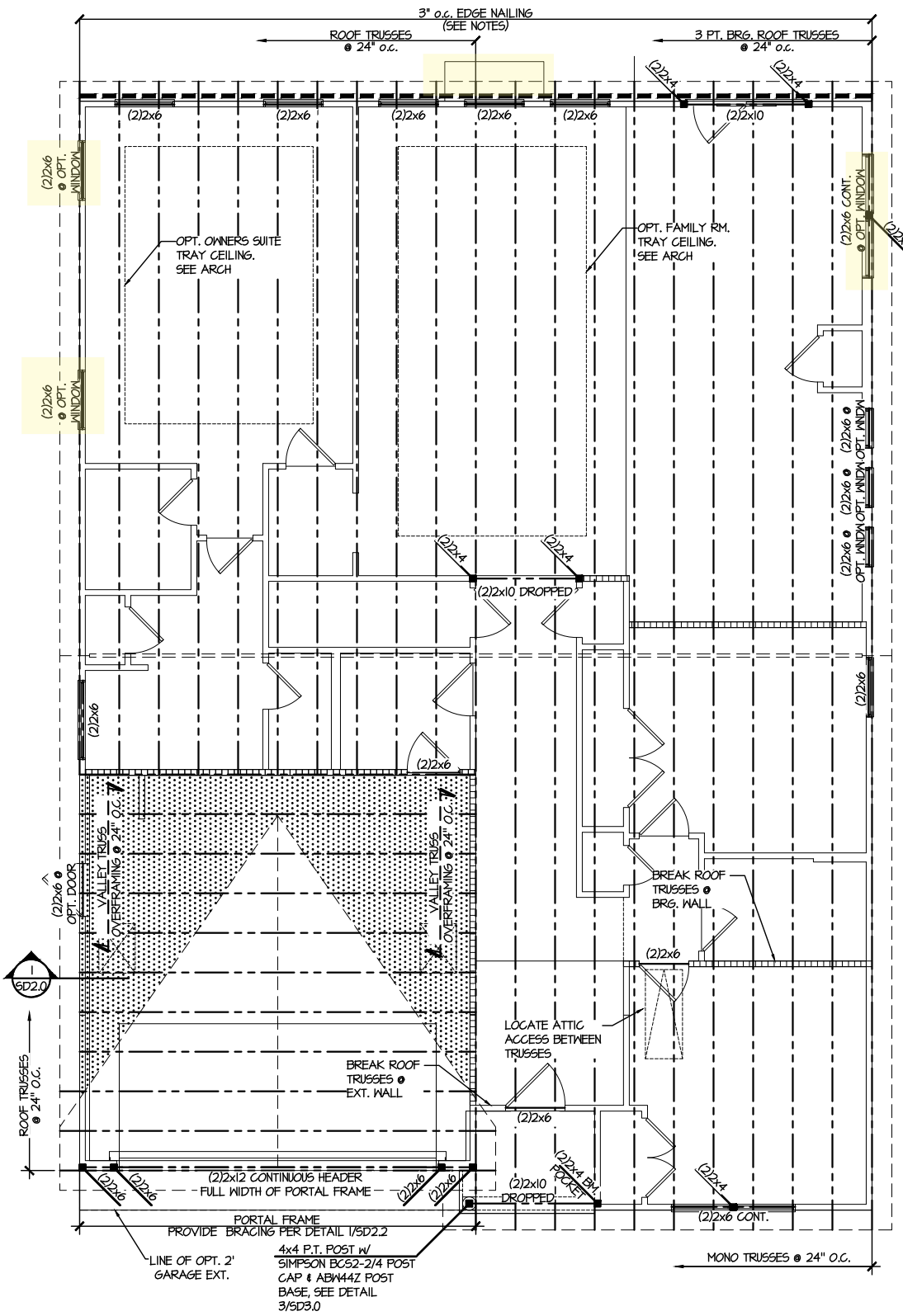
REVISIONS:

date:	initial:
03/09/22	JTS

**DRB GROUP**  
DRB GROUP  
FIELDING CONSULTANTS  
DRB CONSULTANTS

ROOF FRAMING PLANS  
COOPER 3 MODEL  
RALEIGH, NC

sheet: LEFT HAND  
**S4.0**

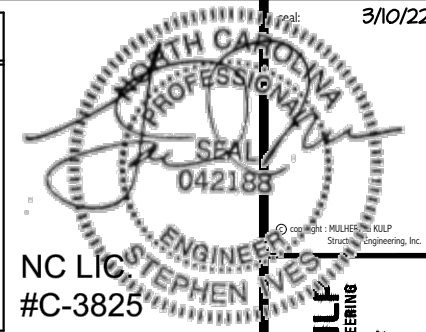


**1 ROOF FRAMING PLAN**  
SCALE: 1/8"=1'-0"  
ELEVATION #1  
(SIM. @ OPT.  
DELUXE OWN. BATH  
TILE SHOWER  
& ROMAN BATH)

REFER TO 50.0 FOR  
TYPICAL STRUCTURAL NOTES  
& SCHEDULES

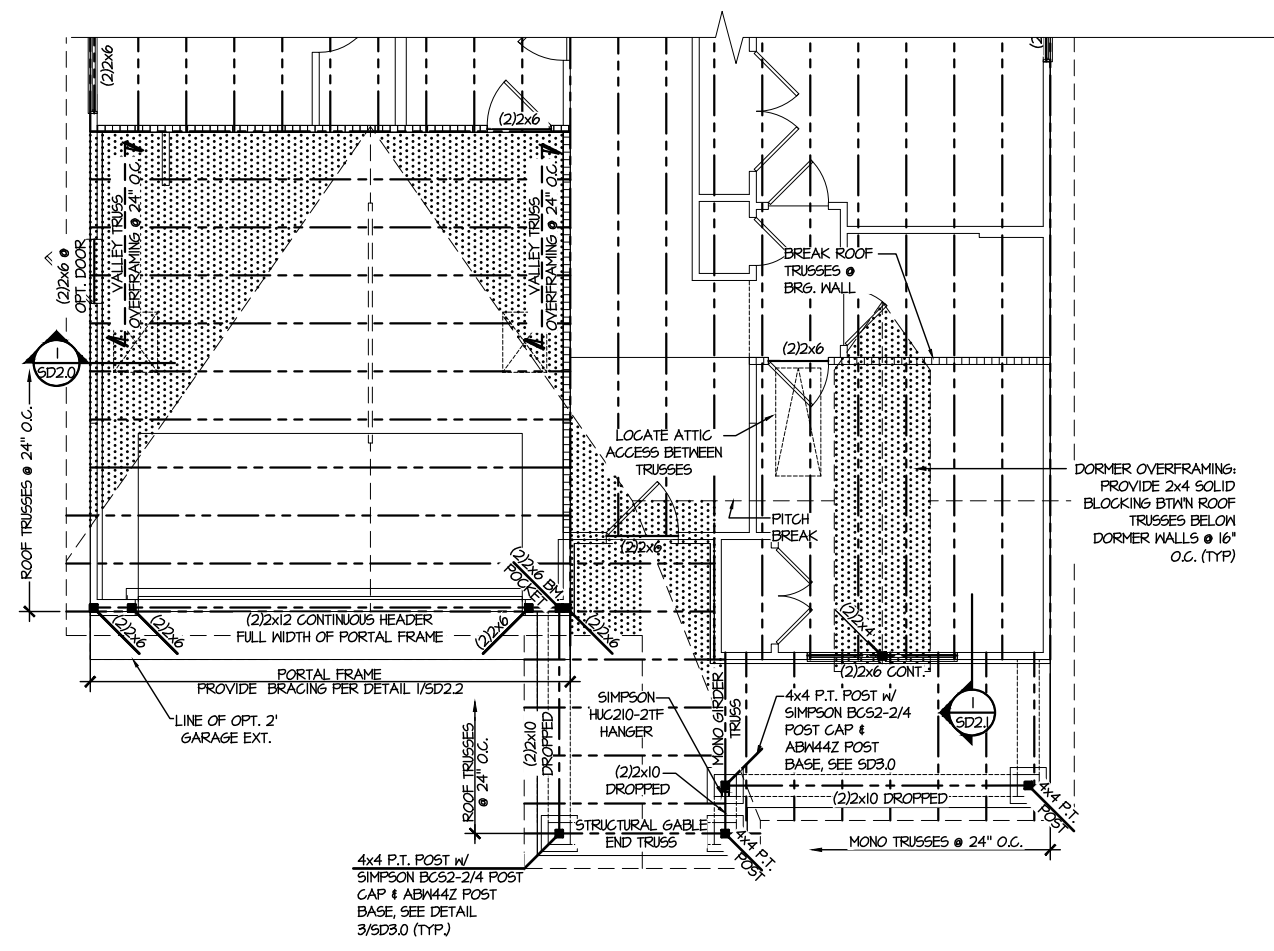
LEGEND

- [Pattern] INTERIOR BEARING WALL
- [Pattern] BEARING WALL ABOVE
- [Pattern] BEAM / HEADER
- [Pattern] INDICATES SHEAR WALL & EXTENT
- [Pattern] EXTENT OF OVERFRAMING
- JL METAL HANGER
- INDICATES POST ABOVE. PROVIDE SOLID BLOCKING UNDER POST OR JAMB ABOVE.
- ▶ INDICATES HOLD-DOWN OR STRAP. REFER TO SCHEDULE.



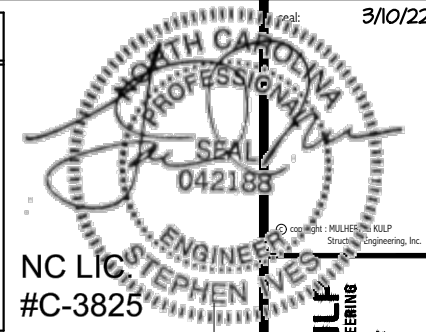
**MULHERN+KULP**  
RESIDENTIAL STRUCTURAL ENGINEERING  
300 Dovesdale Ave, Building 4 - Asheville, PA 18002  
P 215-696-8801 | mulhern+kulp.com

M&K project number:  
126-21030  
project mgr: JTR  
drawn by: KL  
issue date: 08-20-21  
REVISIONS:  
date: initial:  
03/09/22 ITS



**3 PARTIAL ROOF FRAMING PLAN**  
SCALE: 1/8"=1'-0" ELEVATION #4

ROOF FRAMING PLANS  
COOPER 3 MODEL  
RALEIGH, NC



NC LIC. ENGINEER  
#C-3825



M&K project number:  
126-21030  
project mgr: JTR  
drawn by: KL  
issue date: 08-20-21  
REVISIONS:  
date: initial:  
03/09/22 ITS



OPTION FRAMING PLANS  
COOPER 3 MODEL  
RALEIGH, NC

sheet: LEFT HAND  
**S5.0J**

**LEGEND**

- [Symbol] INTERIOR BEARING WALL
- [Symbol] BEARING WALL ABOVE
- [Symbol] BEAM / HEADER
- [Symbol] INDICATES SHEAR WALL & EXTENT
- [Symbol] EXTENT OF OVERFRAMING
- [Symbol] J.L METAL HANGER
- [Symbol] INDICATES POST ABOVE. PROVIDE SOLID BLOCKING UNDER POST OR JAMB ABOVE.
- ▶ [Symbol] INDICATES HOLD-DOWN OR STRAP. REFER TO SCHEDULE.

REFER TO 50.0 FOR TYPICAL STRUCTURAL NOTES & SCHEDULES

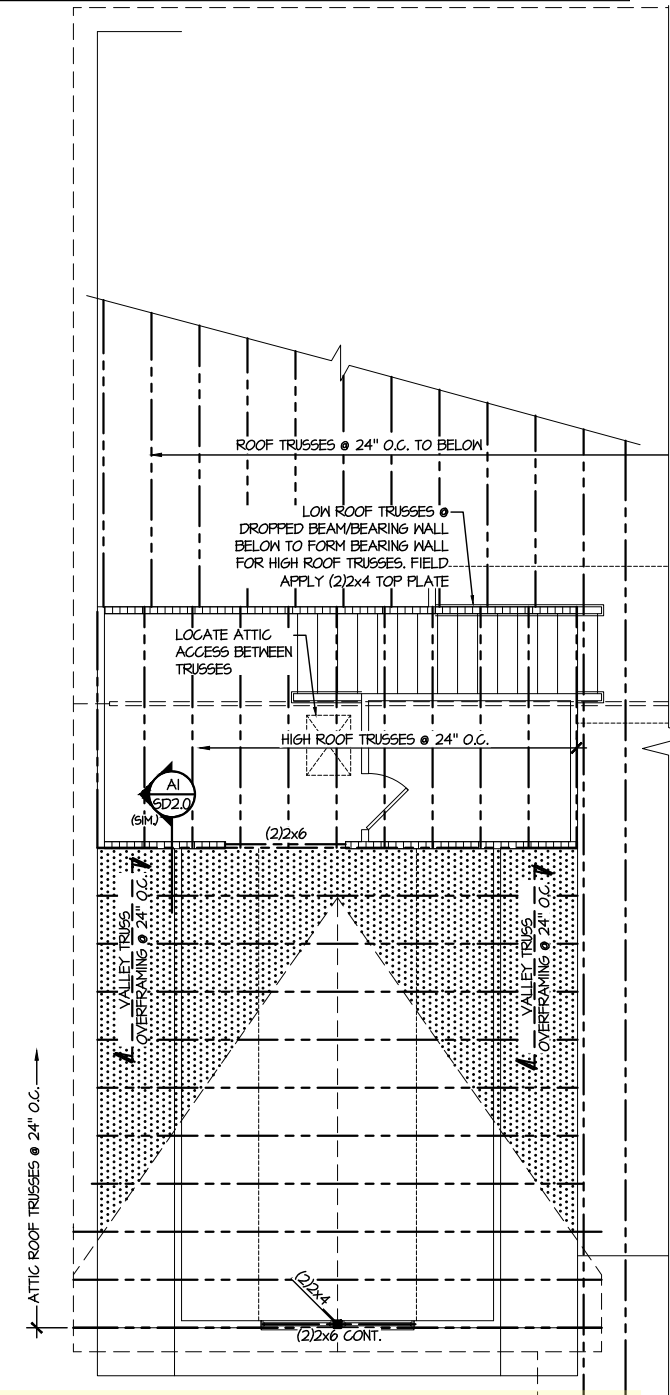
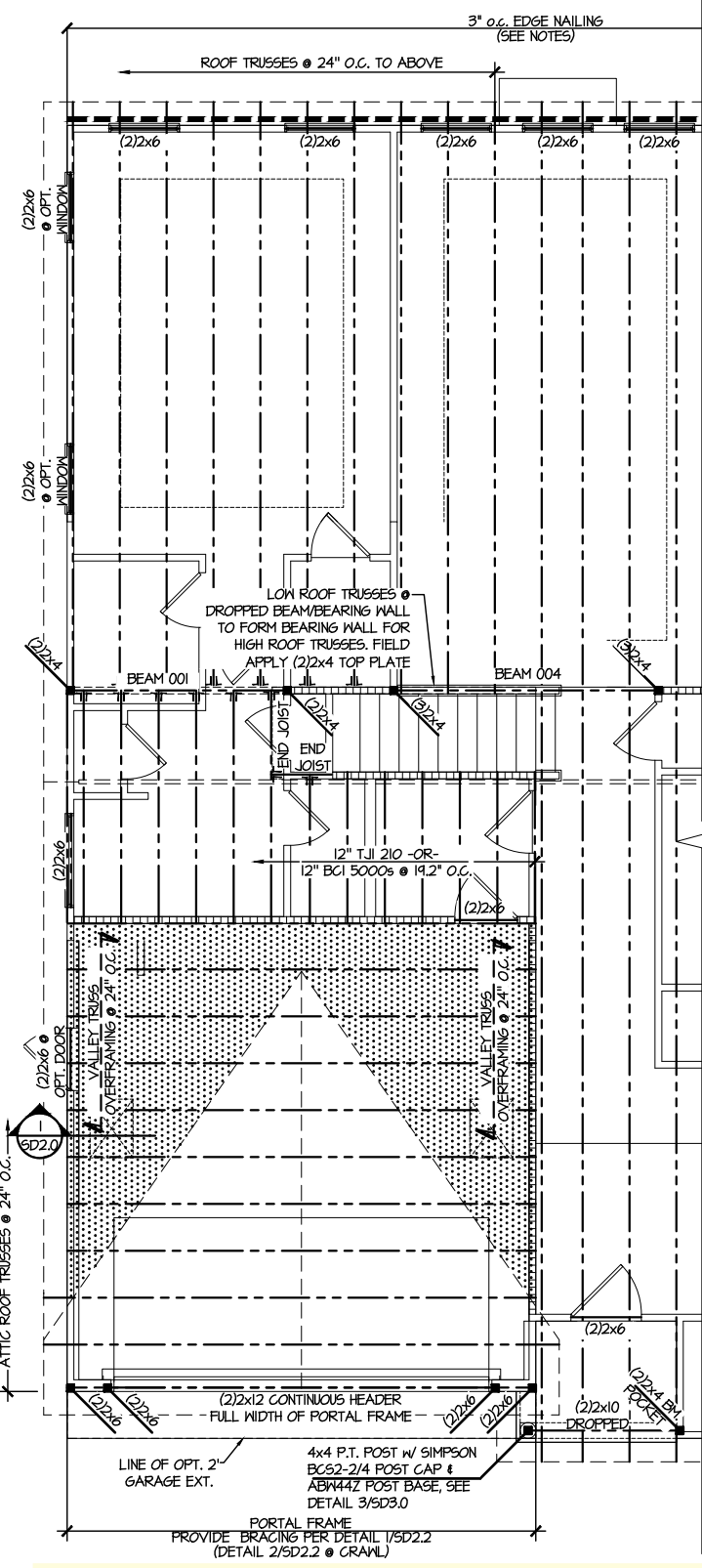
SD2.0 & SD2.1 REFERS TO SD2.0J & SD2.1J FOR I-JOIST FLOOR FRAMING OR SD2.0T & SD2.1T FOR TRUSS FLOOR FRAMING

SD2.1J/SD2.1T REFERS TO SD2.1JA/SD2.1TA FOR LVL/PSL/LSL BEAMS OR SD2.1JB/SD2.1TB FOR FLITCH BEAMS OR SD2.1JC/SD2.1TC FOR STEEL BEAMS

**ENGINEERED BEAM MATERIAL SCHEDULE**

BEAM NUMBER	LVL OPTION	PSL OPTION	LSL OPTION	FLITCH OPTION	STEEL OPTION
001	(2)3/4"x11/8" - F	3/4"x11/8" - F	(3)3/4"x11/8" - F	(2)2x12 + (1) 3/8"x11/4" STEEL FLITCH PLATES - F	M12x14 - F
002	(3)3/4"x11/8" - F	3/4"x11/8" - F	(4)3/4"x11/8" - F	(2)2x12 + (1) 3/8"x11/4" STEEL FLITCH PLATES - F	M12x14 - F
003	(2)3/4"x11/8" - F	3/4"x11/8" - F	(3)3/4"x11/8" - F	(2)2x12 + (1) 3/8"x11/4" STEEL FLITCH PLATES - F	M12x14 - F
004	(2)3/4"x11 1/4" - D	3/4"x11 1/4" - D	(2)3/4"x11/8" - D	(2)2x10 + (1) 3/8"x11/4" STEEL FLITCH PLATES - D	M8x10 - D

- BEAM NOTATION:**
- "F" INDICATES FLUSH BEAM
  - "FT" INDICATES FLUSH TOP BEAM
  - "FB" INDICATES FLUSH BOTTOM BEAM
  - "D" INDICATES DROPPED BEAM
  - "H" INDICATES DROPPED OPENING HEADER
  - REFER TO DETAIL D/SD2.0 FOR TYPICAL FLITCH BEAM CONNECTIONS
  - REFER TO DETAIL E/SD2.0 FOR TYPICAL STEEL BEAM CONNECTIONS
  - FOR FLUSH TOP BEAMS PROVIDE 2X STACKED PLATES BENEATH BEAM AS REQ'D. FASTEN PLATES IN SUCCESSION W/ (2) 3"x0.120" NAILS @ 8" O.C.
  - FOR FLUSH BOTTOM BEAMS PROVIDE 2X STACKED PLATES ATOP BEAM AS REQ'D. FASTEN PLATES IN SUCCESSION W/ (2) 3"x0.120" NAILS @ 8" O.C.



**1 PARTIAL 2ND FLOOR FRAMING PLAN OPTIONAL BONUS ROOM**  
SCALE: 1/8"=1'-0" ELEV #1 SHOWN - ALL ELEV. SIMILAR

**2 PARTIAL ROOF FRAMING PLAN OPTIONAL BONUS ROOM**  
SCALE: 1/8"=1'-0" ELEV #1 SHOWN - ALL ELEV. SIMILAR



**ENGINEERED BEAM MATERIAL SCHEDULE**

BEAM NUMBER	LVL OPTION	PSL OPTION	LSL OPTION	FLITCH OPTION	STEEL OPTION
001	(2)3/4"x11/8" - F	3/5"x11/8" - F	(3)3/4"x11/8" - F	(2)2x12 + (1) 3/8"x11/4" STEEL FLITCH PLATES - F	M12x14 - F
002	(3)3/4"x11/8" - F	3/4"x11/8" - F	(4)3/4"x11/8" - F	(2)2x12 + (1) 3/8"x11/4" STEEL FLITCH PLATES - F	M12x14 - F
003	(2)3/4"x11/8" - F	3/5"x11/8" - F	(3)3/4"x11/8" - F	(2)2x12 + (1) 3/8"x11/4" STEEL FLITCH PLATES - F	M12x14 - F
004	(2)3/4"x11 1/4" - D	3/5"x11 1/4" - D	(2)3/4"x11/8" - D	(2)2x10 + (1) 3/8"x11/4" STEEL FLITCH PLATES - D	M8x10 - D

- BEAM NOTATION:**
- "F" INDICATES FLUSH BEAM
  - "FT" INDICATES FLUSH TOP BEAM
  - "FB" INDICATES FLUSH BOTTOM BEAM
  - "D" INDICATES DROPPED BEAM
  - "H" INDICATES DROPPED OPENING HEADER
  - REFER TO DETAIL D/SD2.0 FOR TYPICAL FLITCH BEAM CONNECTIONS
  - REFER TO DETAIL E/SD2.0 FOR TYPICAL STEEL BEAM CONNECTIONS
  - FOR FLUSH TOP BEAMS PROVIDE 2X STACKED PLATES BENEATH BEAM AS REQ'D. FASTEN PLATES IN SUCCESSION W/ (2) 3"x0.120" NAILS @ 8" O.C.
  - FOR FLUSH BOTTOM BEAMS PROVIDE 2X STACKED PLATES ATOP BEAM AS REQ'D. FASTEN PLATES IN SUCCESSION W/ (2) 3"x0.120" NAILS @ 8" O.C.

**SD2.1J/SD2.1T REFERS TO SD2.1JA/SD2.1TA FOR LVL/PSL/LSL BEAMS OR SD2.1JB/SD2.1TB FOR FLITCH BEAMS OR SD2.1JC/SD2.1TC FOR STEEL BEAMS**

**REFER TO S0.0 FOR TYPICAL STRUCTURAL NOTES & SCHEDULES**

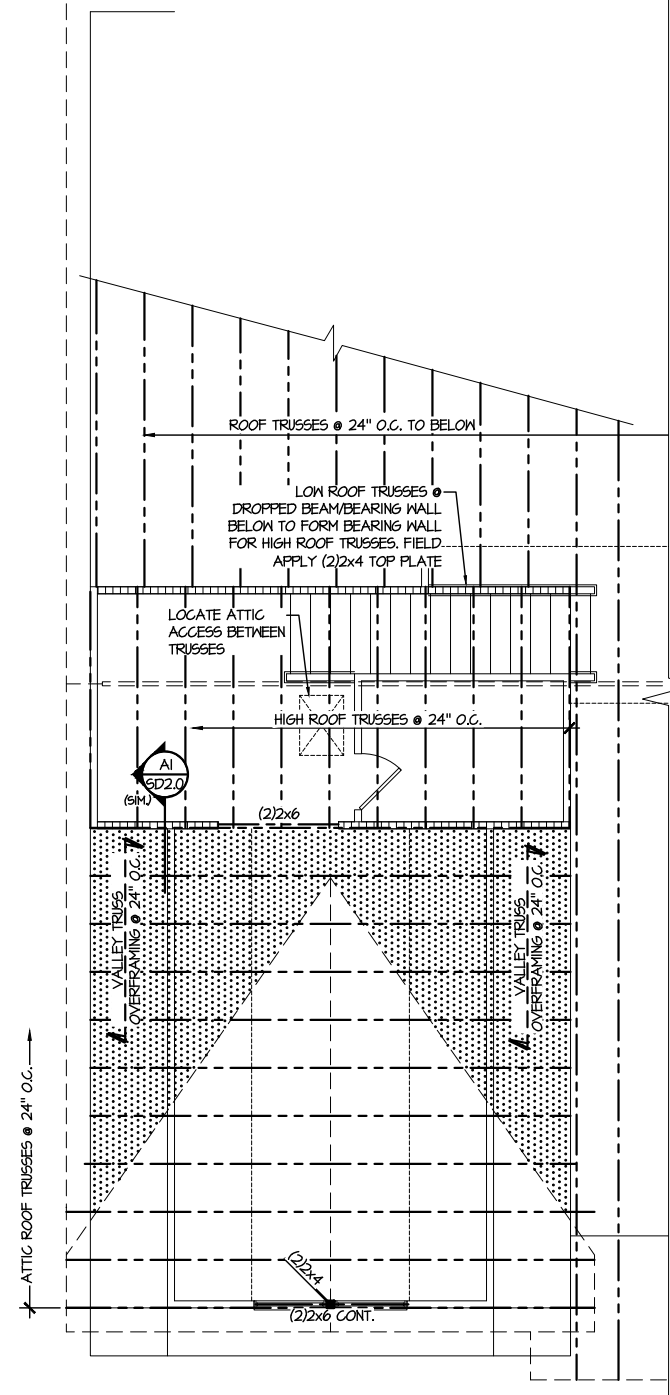
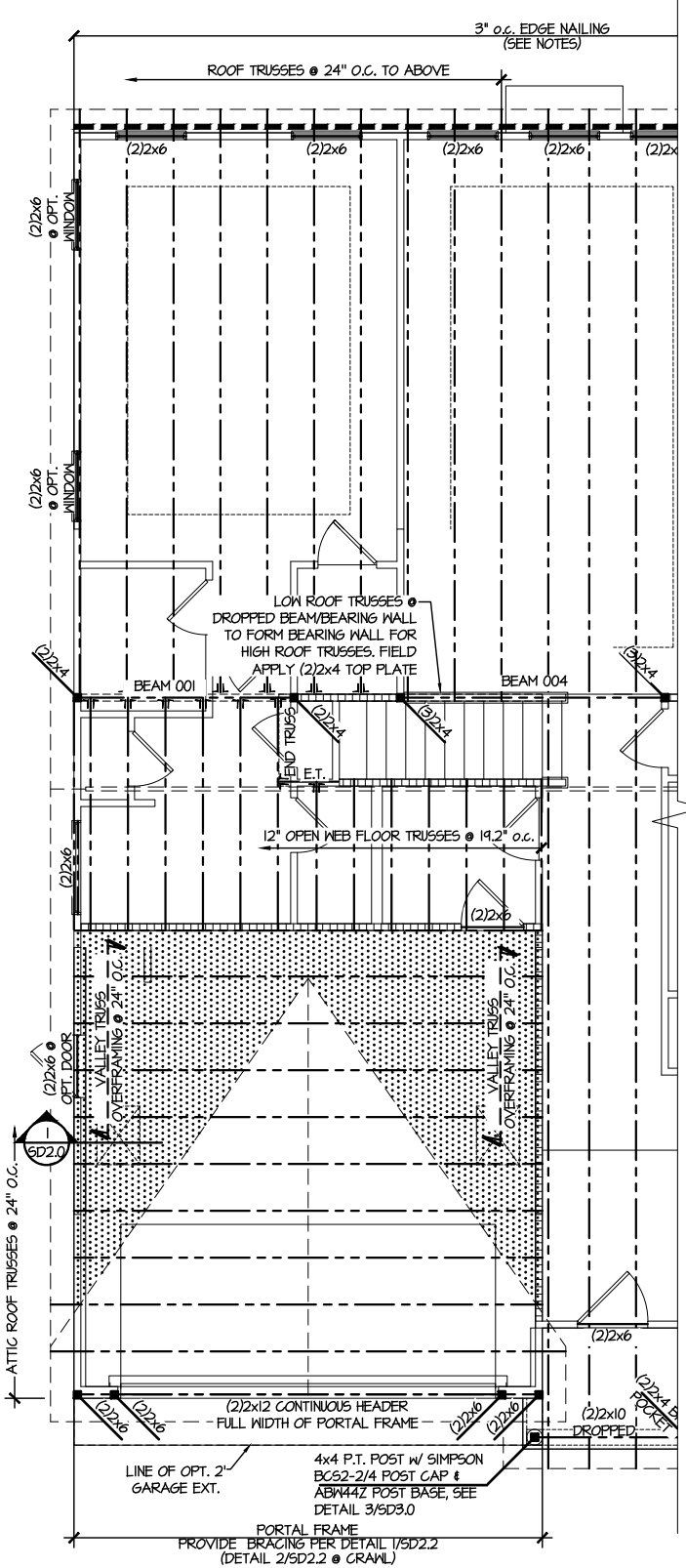
**SD2.0 & SD2.1 REFERS TO SD2.0J & SD2.1J FOR I-JOIST FLOOR FRAMING OR SD2.0T & SD2.1T FOR TRUSS FLOOR FRAMING**

**LEGEND**

- [Symbol] INTERIOR BEARING WALL
- [Symbol] BEARING WALL ABOVE
- [Symbol] BEAM / HEADER
- [Symbol] INDICATES SHEAR WALL & EXTENT
- [Symbol] EXTENT OF OVERFRAMING
- [Symbol] J.L. METAL HANGER
- [Symbol] INDICATES POST ABOVE. PROVIDE SOLID BLOCKING UNDER POST OR JAMB ABOVE.
- [Symbol] INDICATES HOLD-DOWN OR STRAP. REFER TO SCHEDULE.

Professional Seal: **STEPHEN VESPA**, NC LIC. #C-3825

MULHERN+KULP  
RESIDENTIAL STRUCTURAL ENGINEERING  
300 Dovesdale Ave., Building 4 - Aulander, PA 19022  
P 215-696-8881 | m.kulps@mulhernkulp.com



**1 PARTIAL 2ND FLOOR FRAMING PLAN OPTIONAL BONUS ROOM**  
SCALE: 1/8"=1'-0" ELEV #1 SHOWN - ALL ELEV. SIMILAR

**2 PARTIAL ROOF FRAMING PLAN OPTIONAL BONUS ROOM**  
SCALE: 1/8"=1'-0" ELEV #1 SHOWN - ALL ELEV. SIMILAR

M&K project number: 126-21030

project mgr: JTR  
drawn by: KL  
issue date: 08-20-21

REVISIONS:

date:	initial:
03/09/22	JTS

**DRB GROUP**  
DRB GROUP  
FIELDING DAY RAYN BUILDERS  
DRB CONSULT

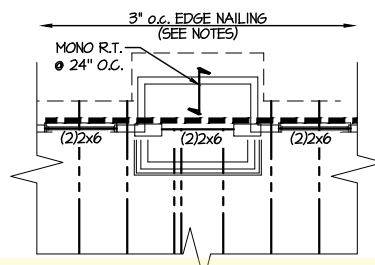
OPTION FRAMING PLANS  
COOPER 3 MODEL  
RALEIGH, NC

REFER TO 50.0 FOR  
TYPICAL STRUCTURAL NOTES  
& SCHEDULES

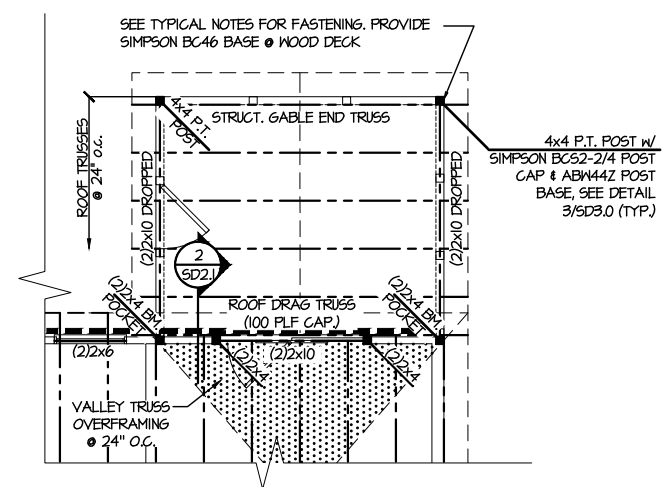
LEGEND	
• [Pattern]	INTERIOR BEARING WALL
• [Pattern]	BEARING WALL ABOVE
• [Pattern]	BEAM / HEADER
• [Pattern]	INDICATES SHEAR WALL & EXTENT
• [Pattern]	EXTENT OF OVERFRAMING
• [Symbol]	⌋L METAL HANGER
• [Symbol]	* INDICATES POST ABOVE, PROVIDE SOLID BLOCKING UNDER POST OR JAMB ABOVE.
• [Symbol]	▶ INDICATES HOLD-DOWN OR STRAP. REFER TO SCHEDULE.

NC LIC #C-3825

MULHERN+KULP  
RESIDENTIAL STRUCTURAL ENGINEERING  
300 Beaveshole Ave, Building 4 - Asheville, PA 19002  
P 215-946-8801 • mulhern+kulp.com



**1 PARTIAL ROOF FRAMING PLAN  
OPTIONAL FIREPLACE**  
SCALE: 1/8"=1'-0" ELEV #1 SHOWN - ALL ELEV. SIMILAR



**2 PARTIAL ROOF FRAMING PLAN  
OPTIONAL SCREENED PORCH**  
SCALE: 1/8"=1'-0" ELEV #1 SHOWN - ALL ELEV. SIMILAR

M&K project number:  
126-21030

project mgr: JTR  
drawn by: KL  
issue date: 08-20-21

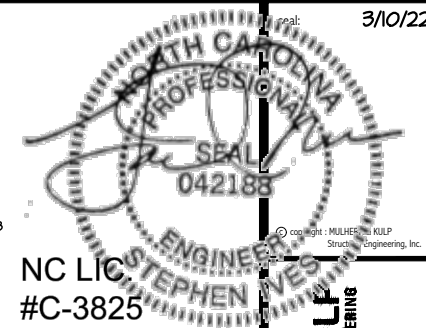
REVISIONS:

date:	initial:
03/09/22	JTS

DRB GROUP  
DRB GROUP  
DRB FIELDING CONSULTANTS  
DRB CONSULTANTS

OPTION FRAMING PLANS  
COOPER 3 MODEL  
RALEIGH, NC

sheet: LEFT HAND  
**S5.1**



**MULHERN+KULP**  
RESIDENTIAL STRUCTURAL ENGINEERING  
300 Beaverton Ave., Building 4 - Asheville, PA 19002  
P: 215-548-8800 | mulhern+kulp.com

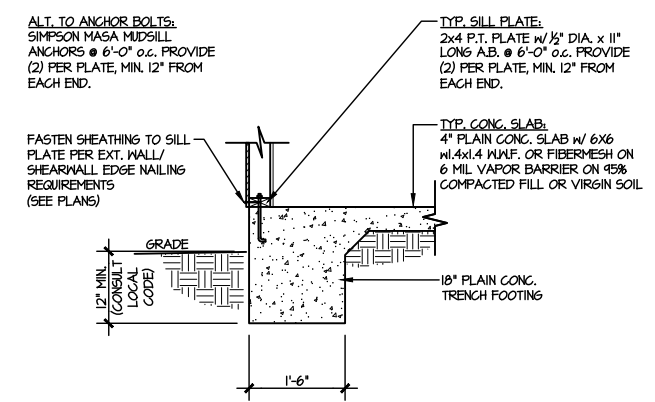
M&K project number:  
126-21030  
project mgr: JTR  
drawn by: KL  
issue date: 08-20-21

REVISIONS:  
date: initial:  
03/09/22 JTS

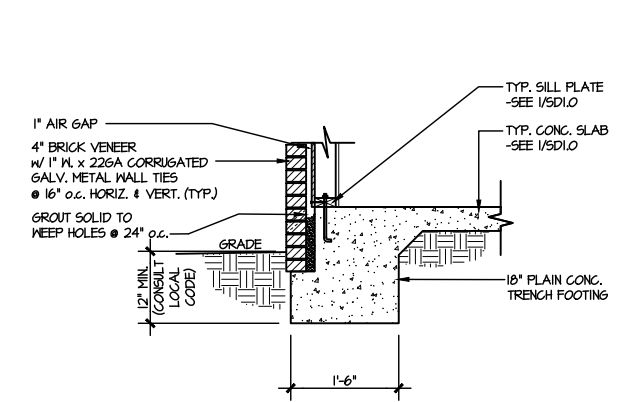


FOUNDATION DETAILS  
COOPER 3 MODEL  
RALEIGH, NC

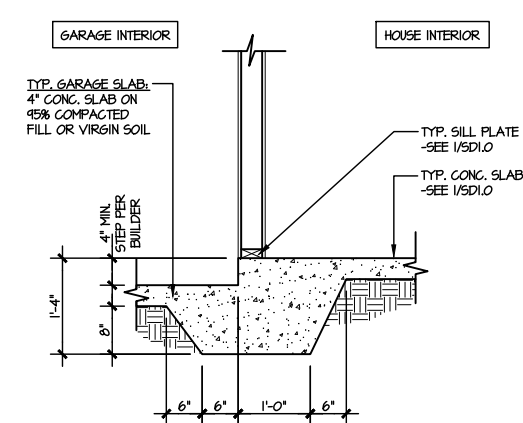
sheet:  
**SD1.0**



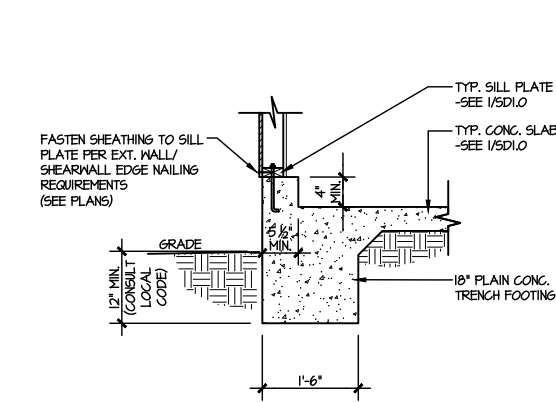
**1** TYPICAL SLAB ON GRADE PERIMETER FOOTING  
SCALE: 3/8"=1'-0"



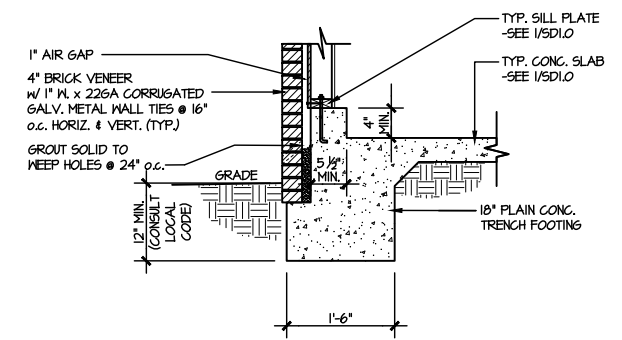
**2** TYPICAL SLAB ON GRADE PERIMETER FOOTING  
SCALE: 3/8"=1'-0" W/ BRICK VENEER



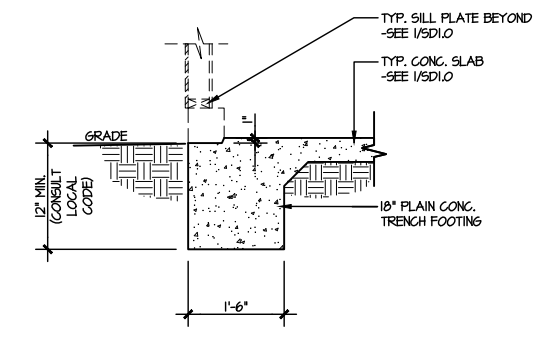
**3** TYPICAL MONOLITHIC INTERIOR GARAGE FOOTING  
SCALE: 3/8"=1'-0"



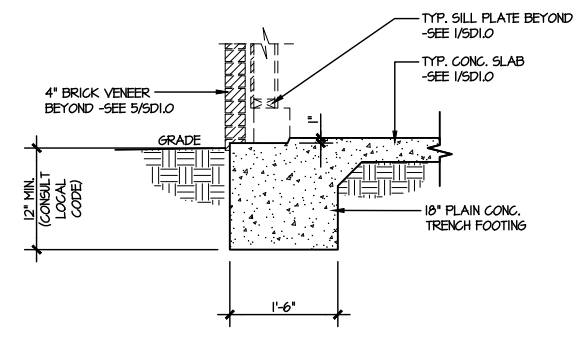
**4** TYPICAL SLAB ON GRADE GARAGE PERIMETER FOOTING  
SCALE: 3/8"=1'-0"



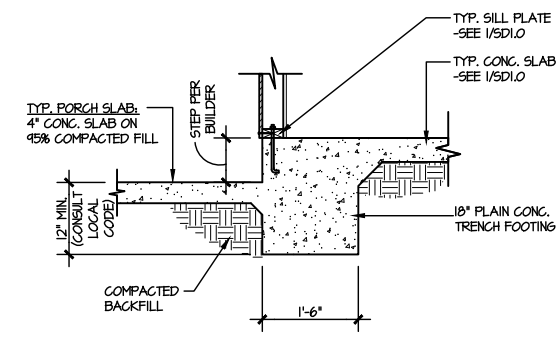
**5** TYPICAL SLAB ON GRADE GARAGE PERIMETER FOOTING  
SCALE: 3/8"=1'-0" W/ BRICK VENEER



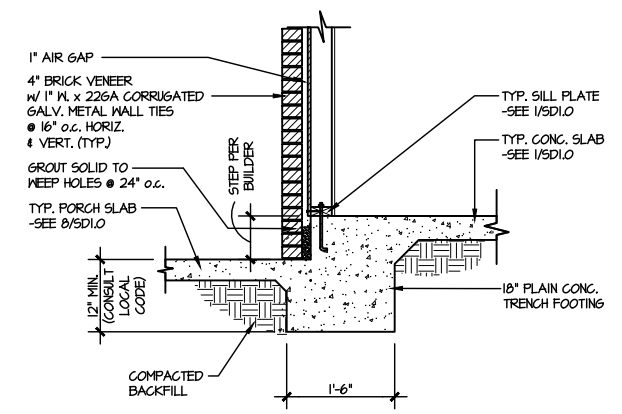
**6** TYPICAL SLAB ON GRADE GARAGE ENTRY @ PERIMETER FOOTING  
SCALE: 3/8"=1'-0"



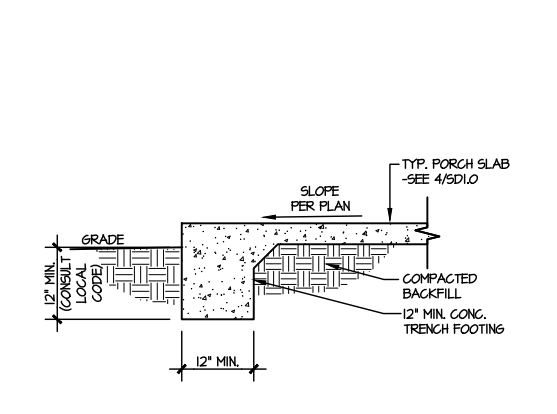
**7** TYPICAL SLAB ON GRADE GARAGE ENTRY @ PERIMETER FOOTING  
SCALE: 3/8"=1'-0" W/ BRICK VENEER



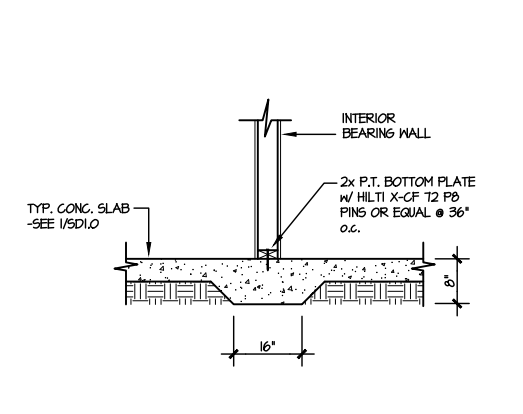
**8** TYPICAL SLAB ON GRADE PERIMETER FOOTING @ PORCH/PATIO  
SCALE: 3/8"=1'-0"



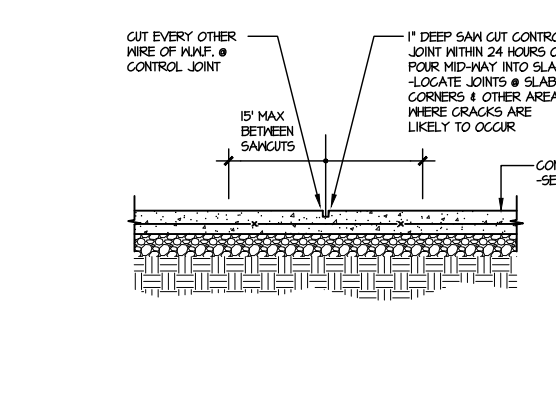
**9** TYPICAL SLAB ON GRADE PERIMETER FOOTING @ PORCH/PATIO  
SCALE: 3/8"=1'-0" W/ BRICK VENEER



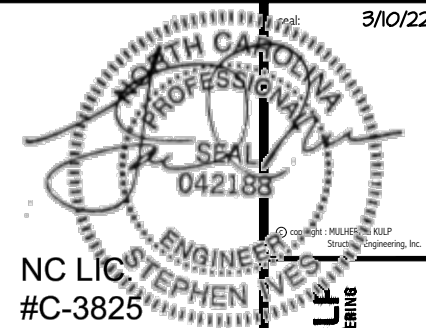
**10** TYPICAL FOOTING @ PORCH SLAB  
SCALE: 3/8"=1'-0"



**11** TYPICAL THICKENED SLAB @ INTERIOR BEARING WALL  
SCALE: 3/8"=1'-0"



**A** TYPICAL CONTROL JOINT  
SCALE: 3/8"=1'-0"  
LOCATE @ 15'-0" o.c. MAX. OR CORNERS WHERE CRACKS LIKELY TO DEVELOP



NC LIC #C-3825

MULHERN+KULP  
RESIDENTIAL STRUCTURAL ENGINEERING  
300 Beaverville Ave., Building 4 - Asheville, PA 19002  
P 215-946-8800

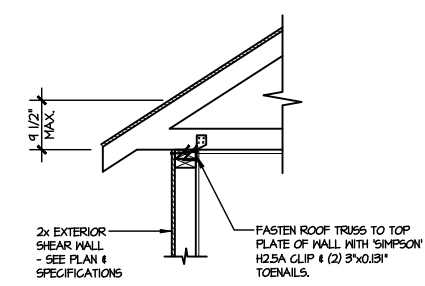
M&K project number:  
126-21030  
project mgr: JTR  
drawn by: KL  
issue date: 08-20-21

REVISIONS:  
date: initial:  
03/09/22 JTS

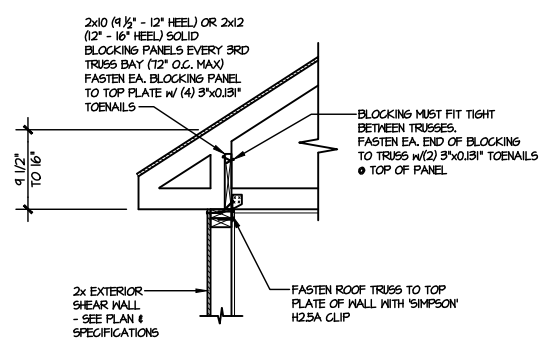


FRAMING DETAILS  
COOPER 3 MODEL  
RALEIGH, NC

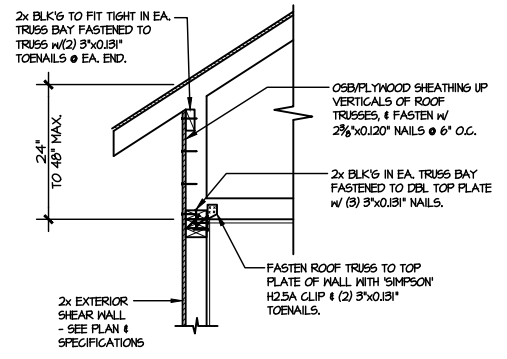
sheet:  
SD2.0J



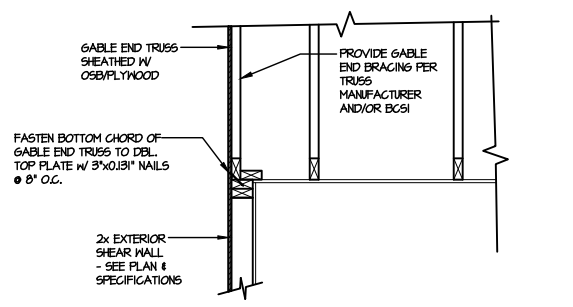
**A1** TYPICAL SHEAR TRANSFER DETAIL @ ROOF  
SCALE: 3/8"=1'-0"  
HEEL HEIGHT LESS THAN 4 1/2"  
NO BLOCKING REQ'D



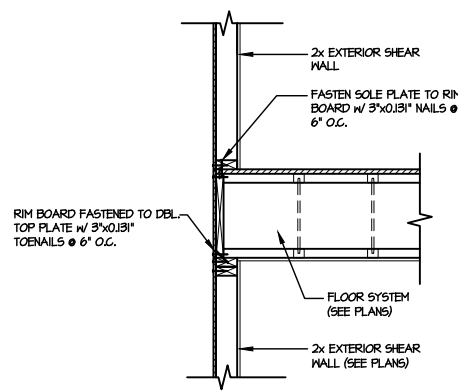
**A2** TYPICAL SHEAR TRANSFER DETAIL @ ROOF  
SCALE: 3/8"=1'-0"  
HEEL HEIGHT BETWEEN 4 1/2" - 16"  
BLOCKING REQ'D



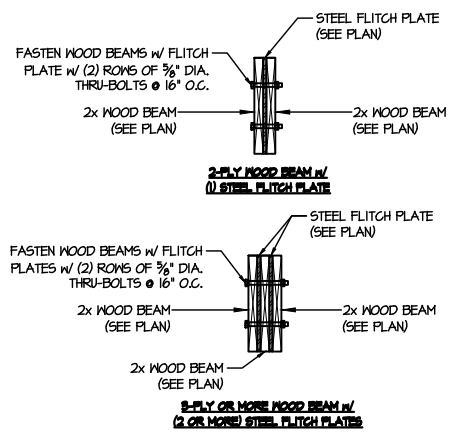
**A3** TYPICAL SHEAR TRANSFER DETAIL @ RAISED HEEL TRUSS  
SCALE: 3/8"=1'-0"  
HEEL HEIGHT UP TO 48" MAX.



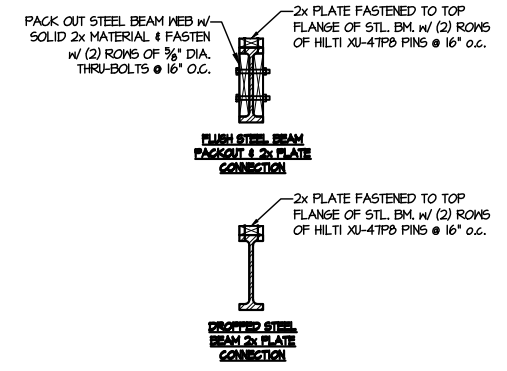
**B** TYPICAL GABLE END DETAIL  
SCALE: 3/8"=1'-0"



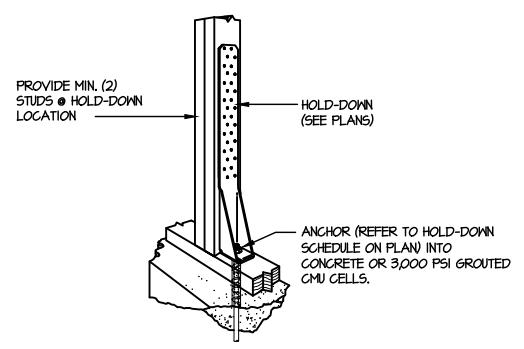
**C** TYPICAL SHEAR TRANSFER DETAIL BETWEEN FLOORS @ EXTERIOR WALL  
SCALE: 3/8"=1'-0"



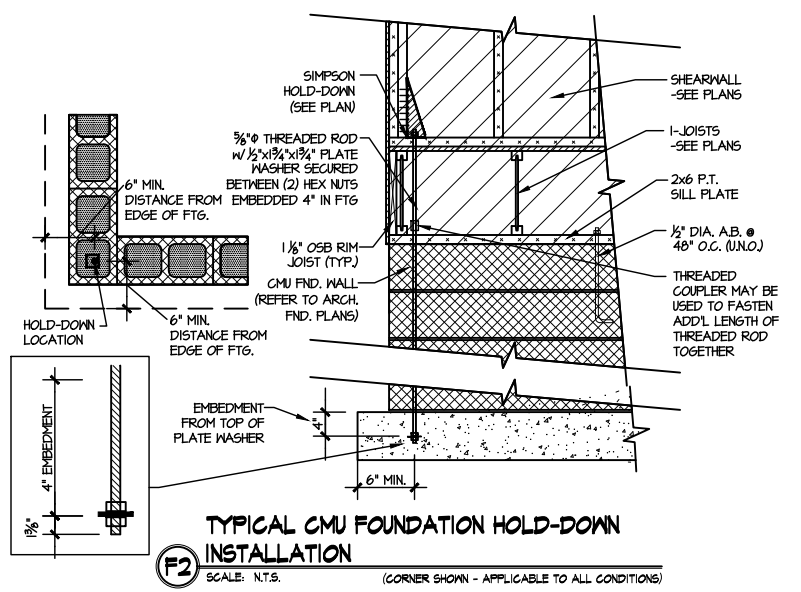
**D** TYPICAL FLITCH BEAM CONNECTION DETAIL  
SCALE: 3/4"=1'-0"



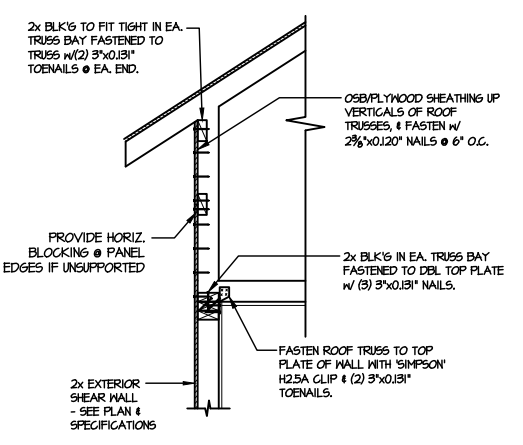
**E** TYPICAL STEEL BEAM CONNECTION DETAIL  
SCALE: 3/4"=1'-0"



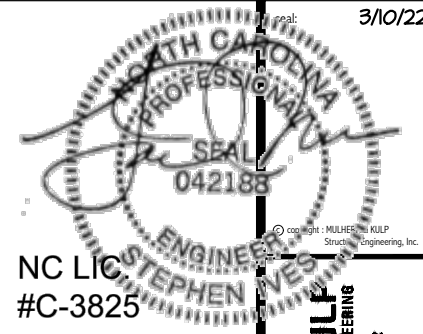
**F1** TYPICAL HOLD DOWN INSTALLATION  
SCALE: N.T.S.



**F2** TYPICAL CMU FOUNDATION HOLD-DOWN INSTALLATION  
SCALE: N.T.S. (CORNER SHOWN - APPLICABLE TO ALL CONDITIONS)



**I** TYPICAL SHEAR TRANSFER DETAIL @ RAISED HEEL TRUSS  
SCALE: 3/8"=1'-0"  
HEEL HEIGHT GREATER THAN 48"



MULHERN+KULF  
RESIDENTIAL STRUCTURAL ENGINEERING  
330 Beavertown Ave., Building 4 - Asheville, PA 19002  
P 215-636-8800



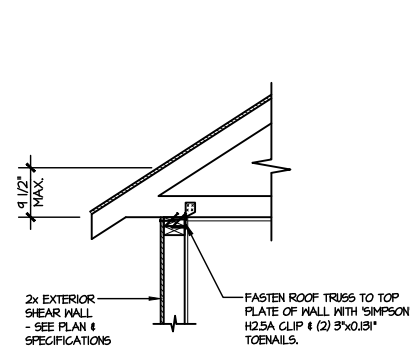
M&K project number:  
126-21030  
project mgr: JTR  
drawn by: KL  
issue date: 08-20-21

REVISIONS:  
date: initial:  
03/09/22 JTS

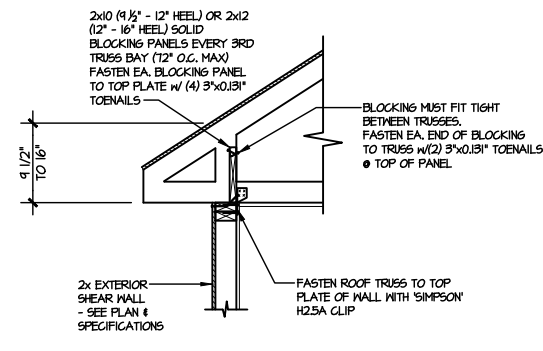
DRB GROUP  
DRB GROUP  
DRB CONSULTING

FRAMING DETAILS  
COOPER 3 MODEL  
RALEIGH, NC

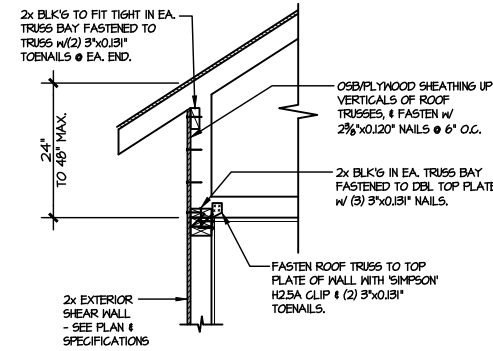
sheet:  
SD2.0T



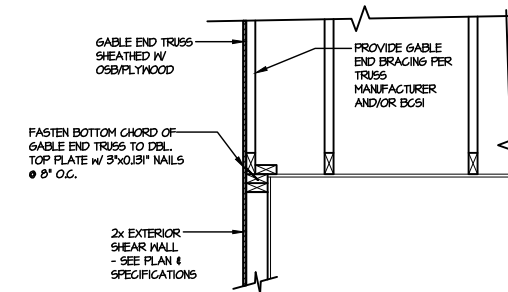
**A1** TYPICAL SHEAR TRANSFER DETAIL @ ROOF  
SCALE: 3/8"=1'-0"  
HEEL HEIGHT LESS THAN 4 1/2" NO BLOCKING REQ'D



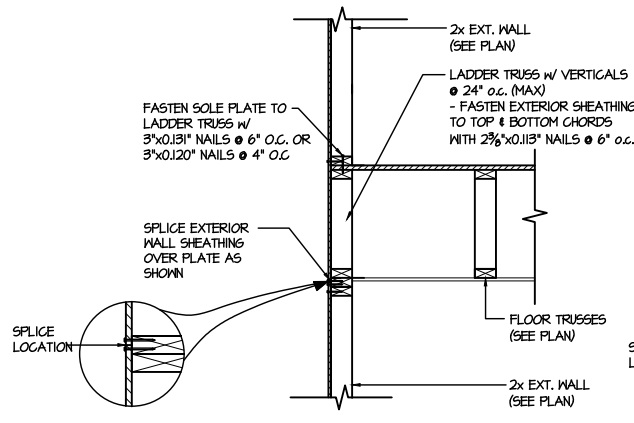
**A2** TYPICAL SHEAR TRANSFER DETAIL @ ROOF  
SCALE: 3/8"=1'-0"  
HEEL HEIGHT BETWEEN 4 1/2" - 16" BLOCKING REQ'D



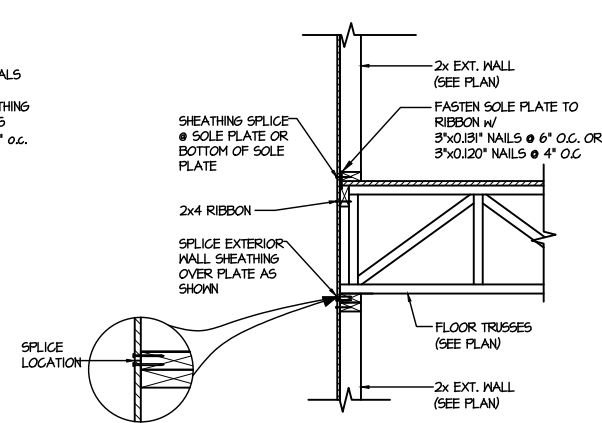
**A3** TYPICAL SHEAR TRANSFER DETAIL @ RAISED HEEL TRUSS  
SCALE: 3/8"=1'-0"  
HEEL HEIGHT UP TO 48" MAX.



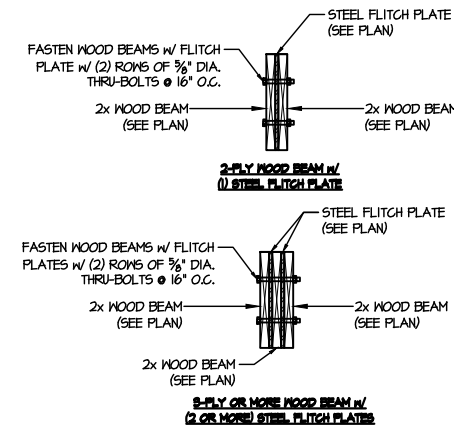
**B** TYPICAL GABLE END DETAIL  
SCALE: 3/8"=1'-0"



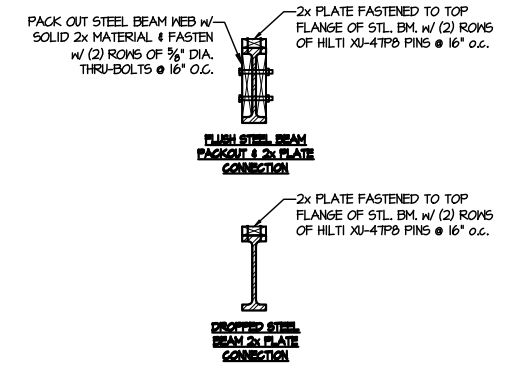
**C1** TYPICAL SHEAR TRANSFER DETAIL BETWEEN FLOORS @ EXTERIOR WALL  
SCALE: 3/8"=1'-0"  
PARALLEL FRMS



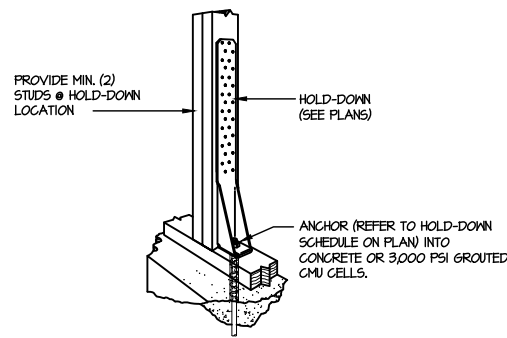
**C2** TYPICAL SHEAR TRANSFER DETAIL BETWEEN FLOORS @ EXTERIOR WALL  
SCALE: 3/8"=1'-0"  
PERPENDICULAR FRMS



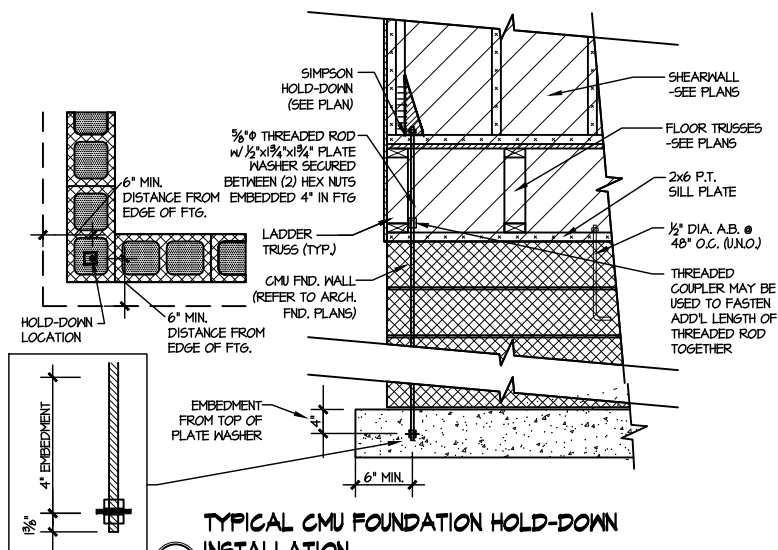
**D** TYPICAL FLITCH BEAM CONNECTION DETAIL  
SCALE: 3/4"=1'-0"



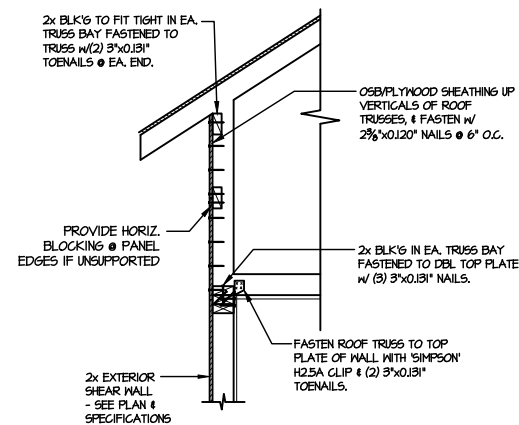
**E** TYPICAL STEEL BEAM CONNECTION DETAIL  
SCALE: 3/4"=1'-0"



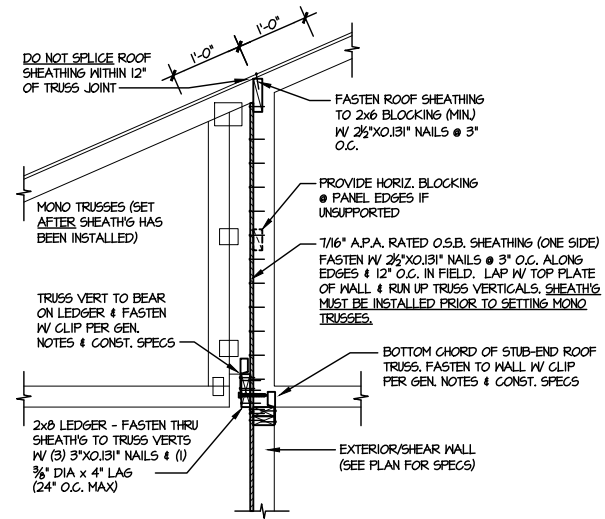
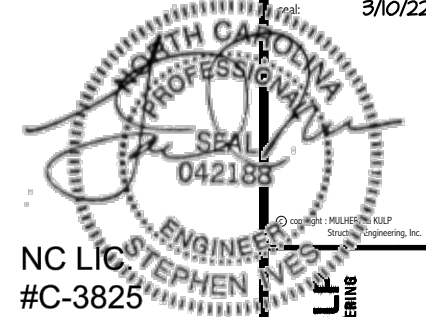
**F1** TYPICAL HOLD DOWN INSTALLATION  
SCALE: N.T.S.



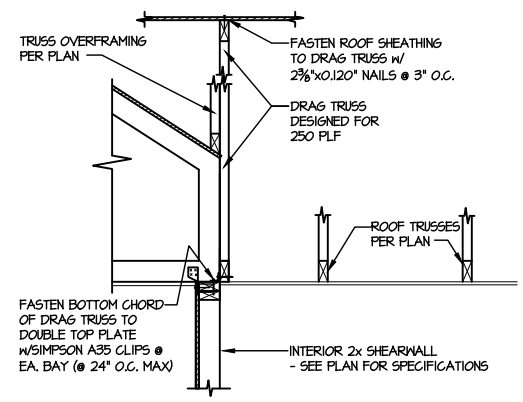
**F2** TYPICAL CMU FOUNDATION HOLD-DOWN INSTALLATION  
SCALE: N.T.S.  
(CORNER SHOWN - APPLICABLE TO ALL CONDITIONS)



**I** TYPICAL SHEAR TRANSFER DETAIL @ RAISED HEEL TRUSS  
SCALE: 3/8"=1'-0"  
HEEL HEIGHT GREATER THAN 48"



**1** SHEAR TRANSFER DETAIL @ BREAK IN TRUSSES OVER SHEAR WALL  
SCALE: 3/4"=1'-0" - 22-84  
3/8"=1'-0" - 11d7



**2** SHEAR TRANSFER DETAIL AT INTERIOR SHEARWALL BELOW  
SCALE: 3/4"=1'-0"

**MULHERN+KULP**  
RESIDENTIAL STRUCTURAL ENGINEERING  
300 Beaverville Ave., Building 4 - Asheville, PA 17002  
P 215-546-8800 - mulhern+kulp.com

MGK project number:  
126-21030

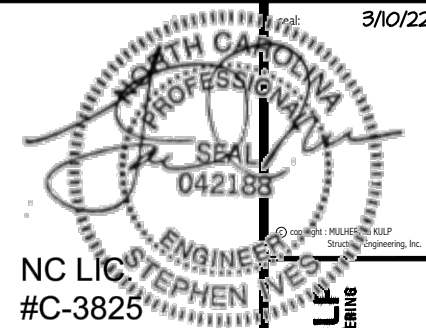
project mgr: JTR  
drawn by: KL  
issue date: 08-20-21

REVISIONS:

date:	initial:
03/09/22	JTS

FRAMING DETAILS  
COOPER 3 MODEL  
RALEIGH, NC

sheet:  
**SD2.1**



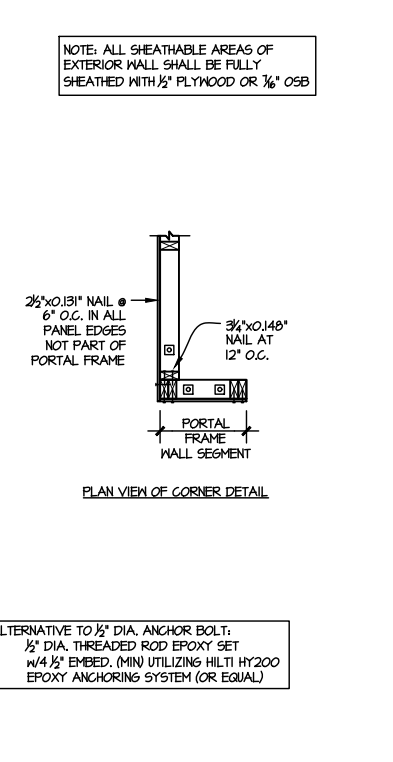
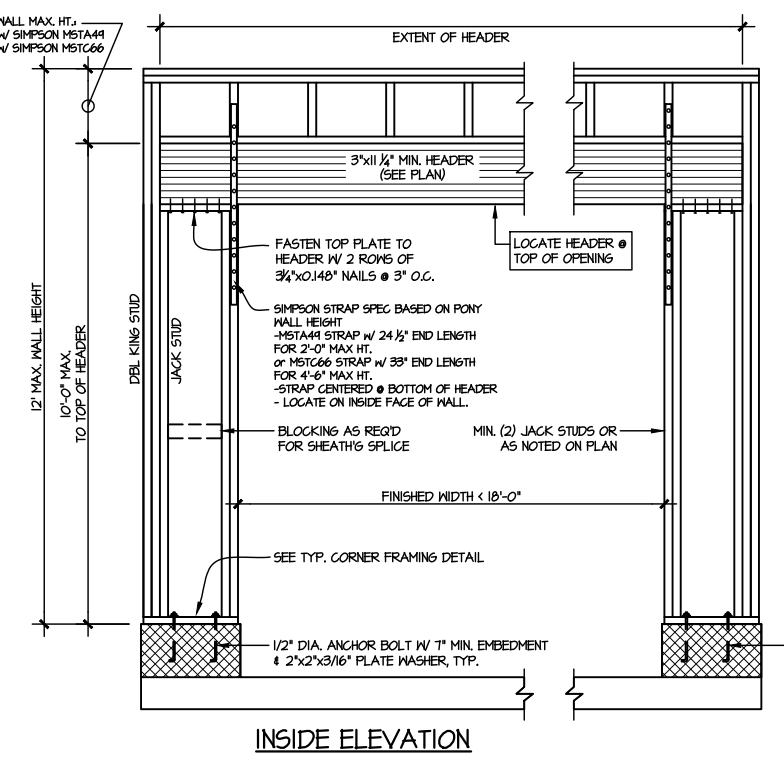
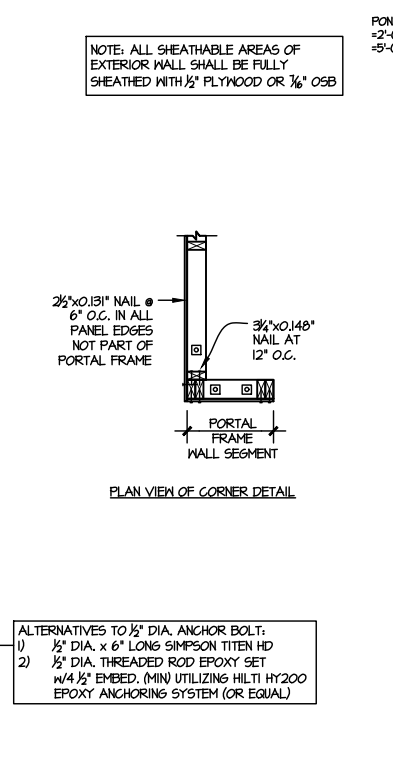
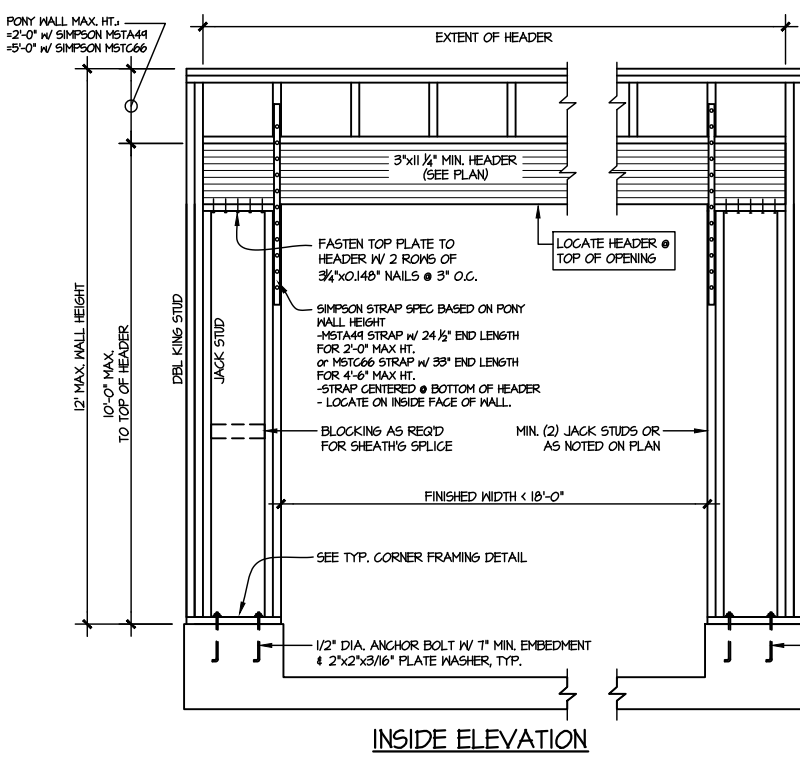
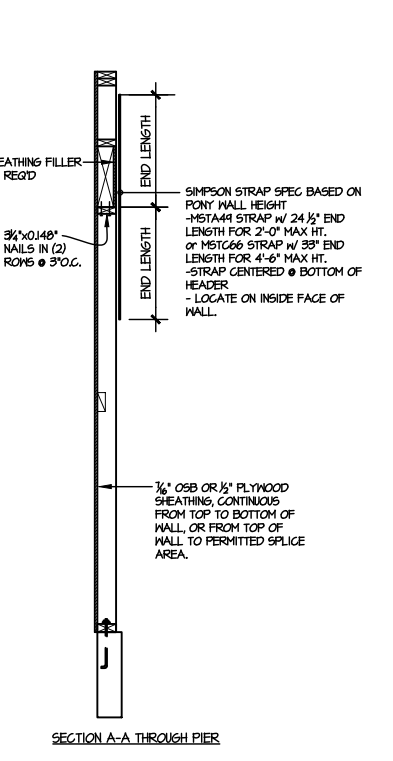
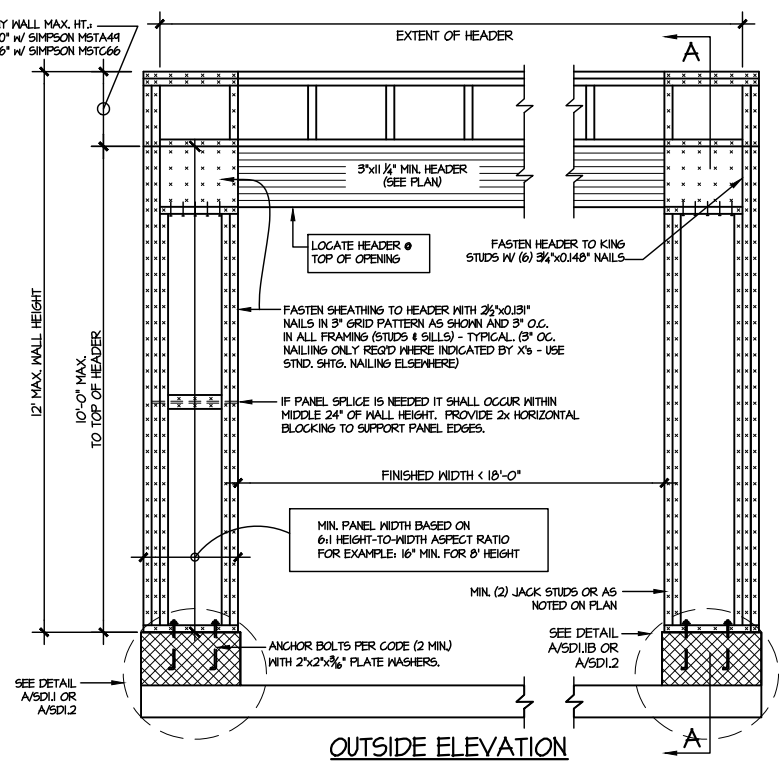
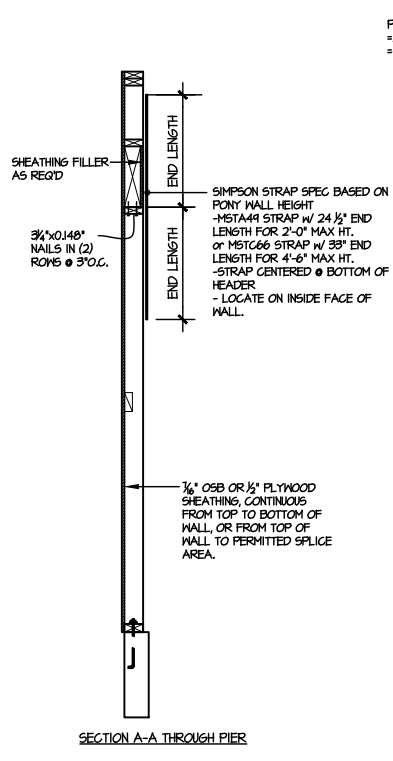
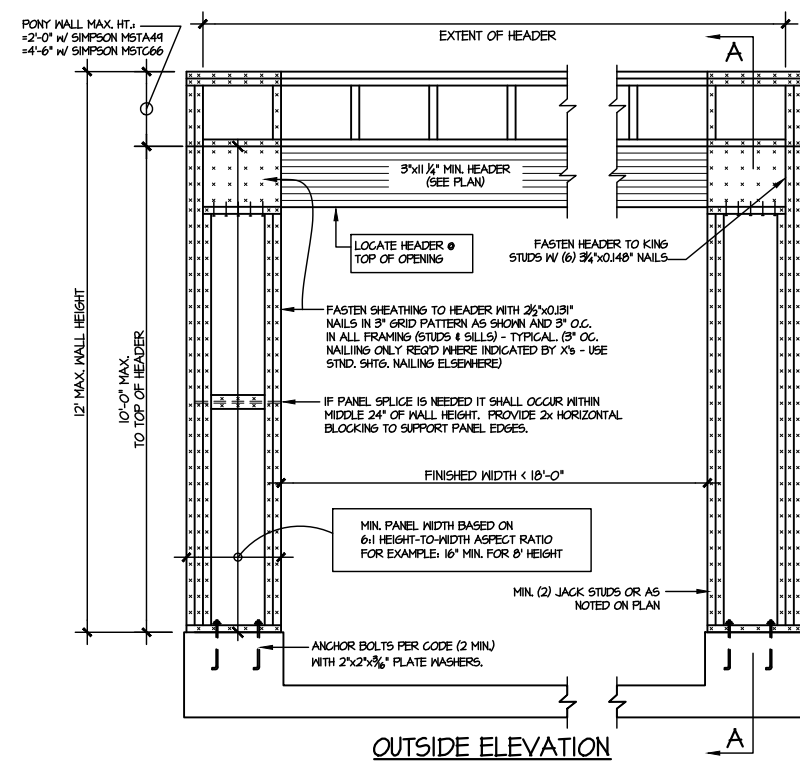
**MULHERN+KULP**  
RESIDENTIAL STRUCTURAL ENGINEERING  
300 Riverside Ave., Building 4 - Asheville, PA 17002  
P: 215-548-8800 | m+k@mulhernkulp.com

M&K project number:  
126-21030  
project mgr: JTR  
drawn by: KL  
issue date: 08-20-21  
REVISIONS:  
date: initial:  
03/09/22 JTS



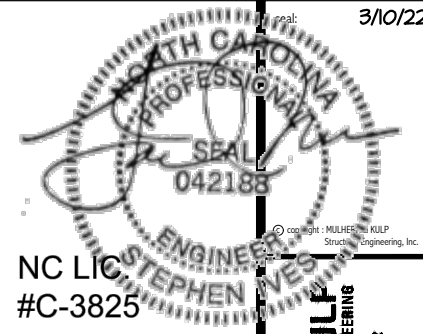
FRAMING DETAILS  
COOPER 3 MODEL  
RALEIGH, NC

sheet:  
**SD2.2**



① TWO SIDED GARAGE PORTAL FRAME BRACING ELEVATION ON CONCRETE STEM  
SCALE: N.T.S.

② TWO SIDED GARAGE PORTAL FRAME BRACING ELEVATION ON CMU STEM  
SCALE: N.T.S.



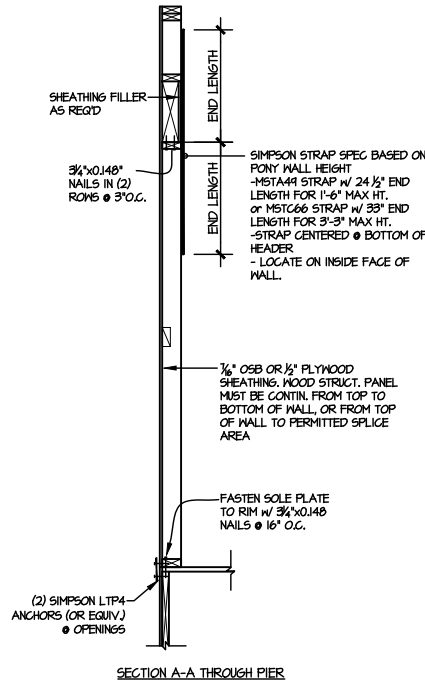
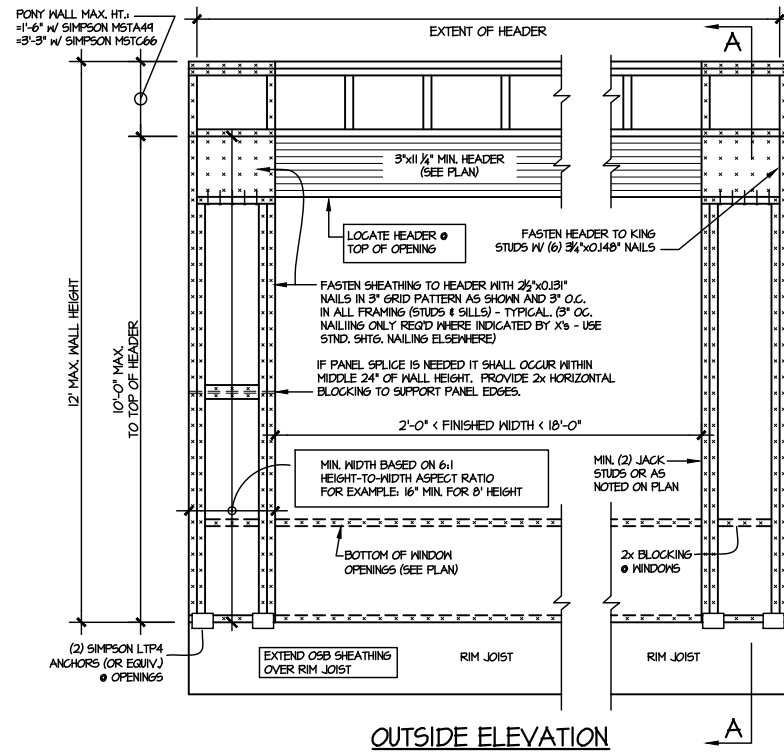
**MULHERN+KULF**  
RESIDENTIAL STRUCTURAL ENGINEERING  
300 Beavette Ave., Building 4 - Asheville, PA 17002  
P 215-646-8801 • mulhern+kulf.com

M&K project number:  
126-21030  
project mgr: JTR  
drawn by: KL  
issue date: 08-20-21  
REVISIONS:  
date: initial:  
03/09/22 JTS

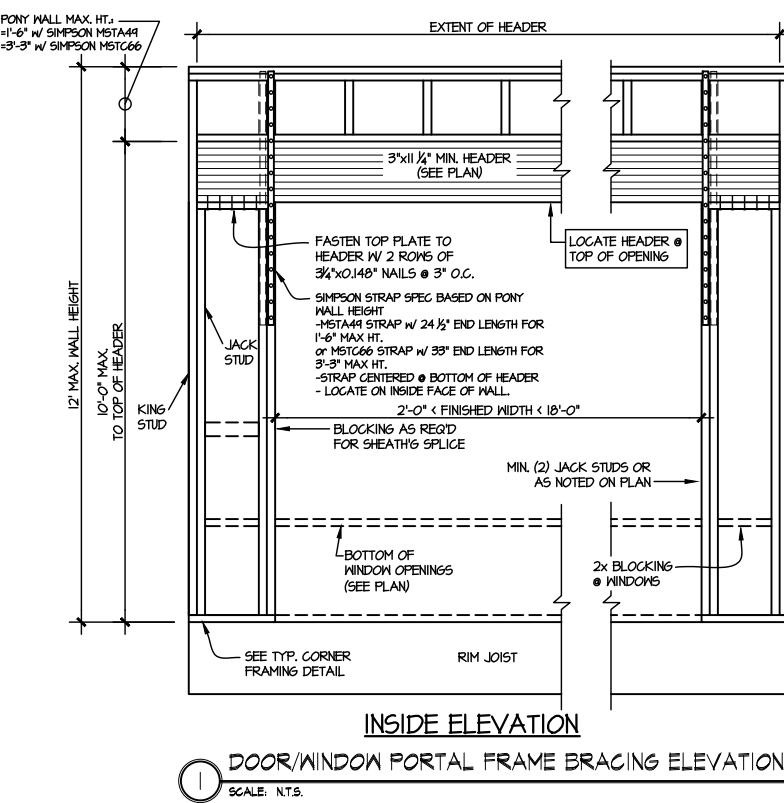
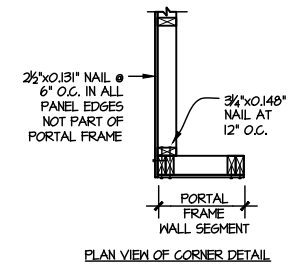


FRAMING DETAILS  
COOPER 3 MODEL  
RALEIGH, NC

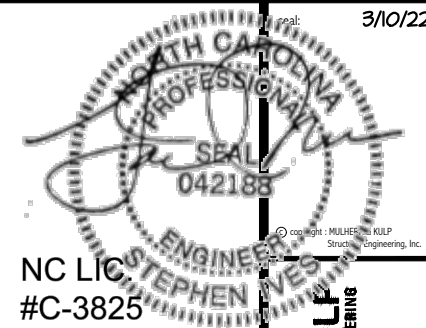
sheet:  
**SD2.3**



NOTE: ALL SHEATHABLE AREAS OF EXTERIOR WALL SHALL BE FULLY SHEATHED WITH 1/2" PLYWOOD OR 1/4" OSB







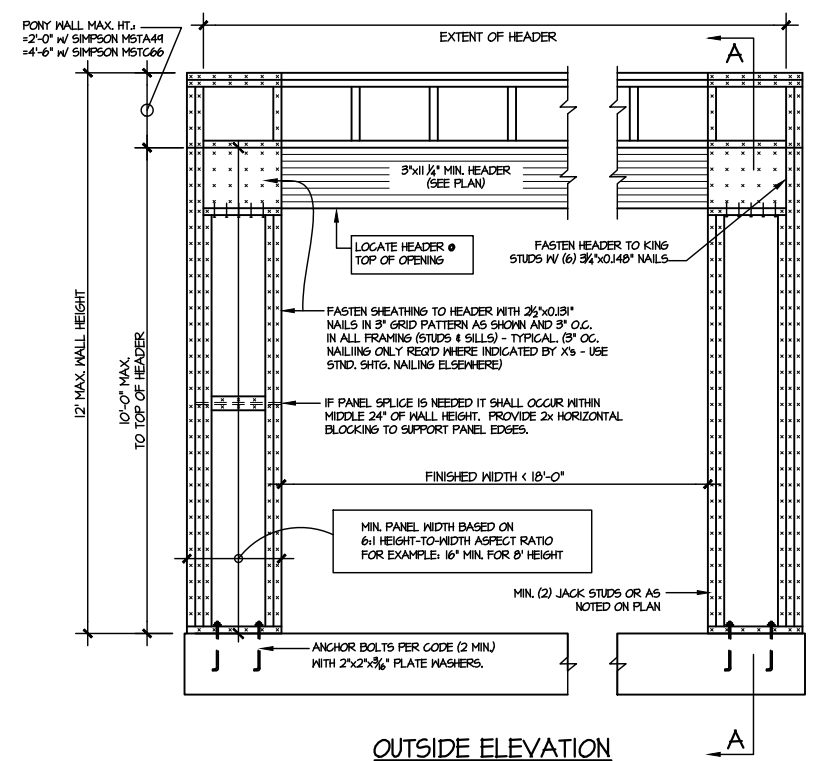
**MULHERN+KULP**  
RESIDENTIAL STRUCTURAL ENGINEERING  
300 Beaverton Ave., Building 4 - Asheville, PA 17002  
P 215-948-8881 • mulhern+kulp.com

M&K project number:  
126-21030  
project mgr: JTR  
drawn by: KL  
issue date: 08-20-21  
REVISIONS:  
date: initial:  
03/09/22 JTS

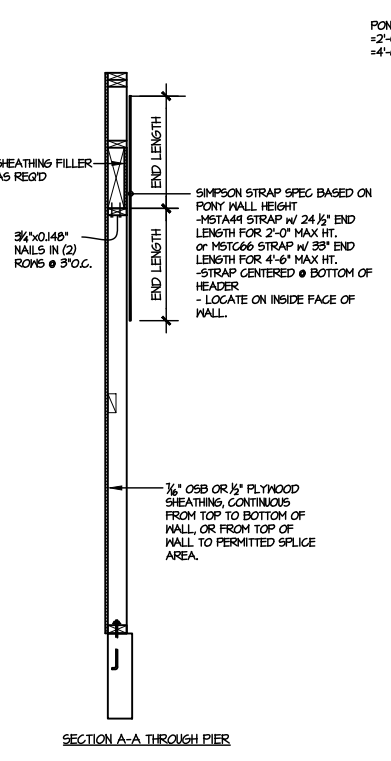


FRAMING DETAILS  
COOPER 3 MODEL  
RALEIGH, NC

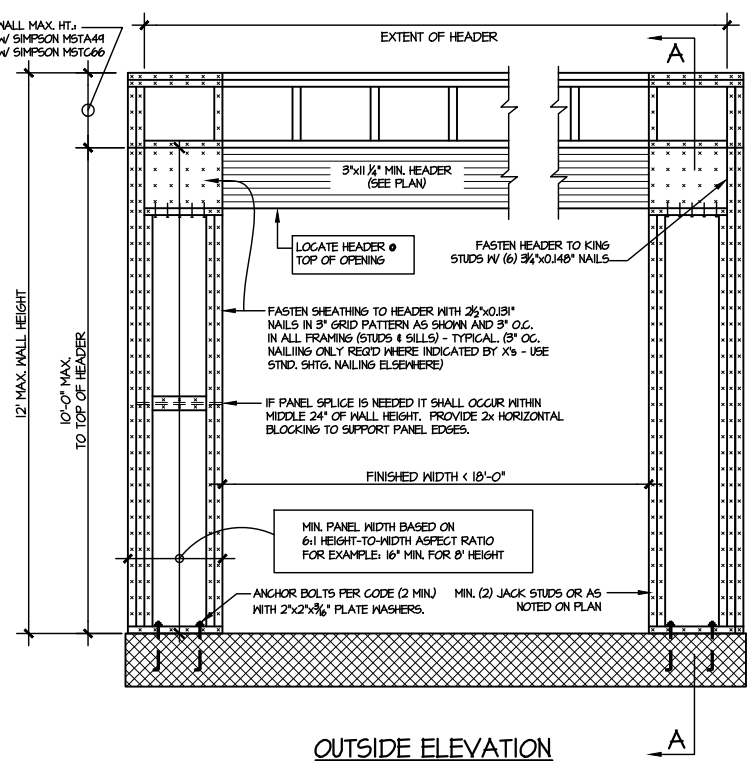
sheet:  
**SD2.4**



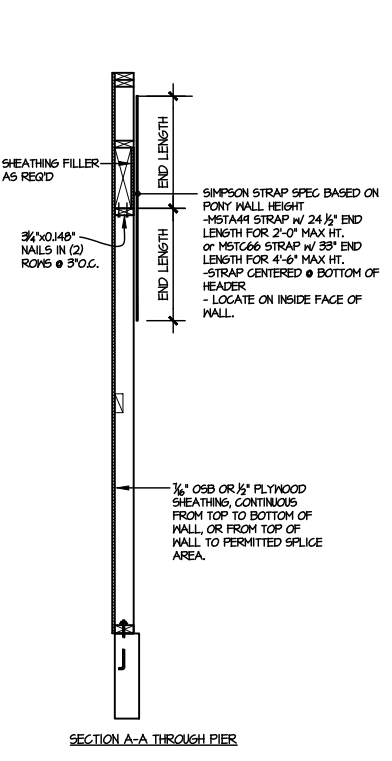
OUTSIDE ELEVATION



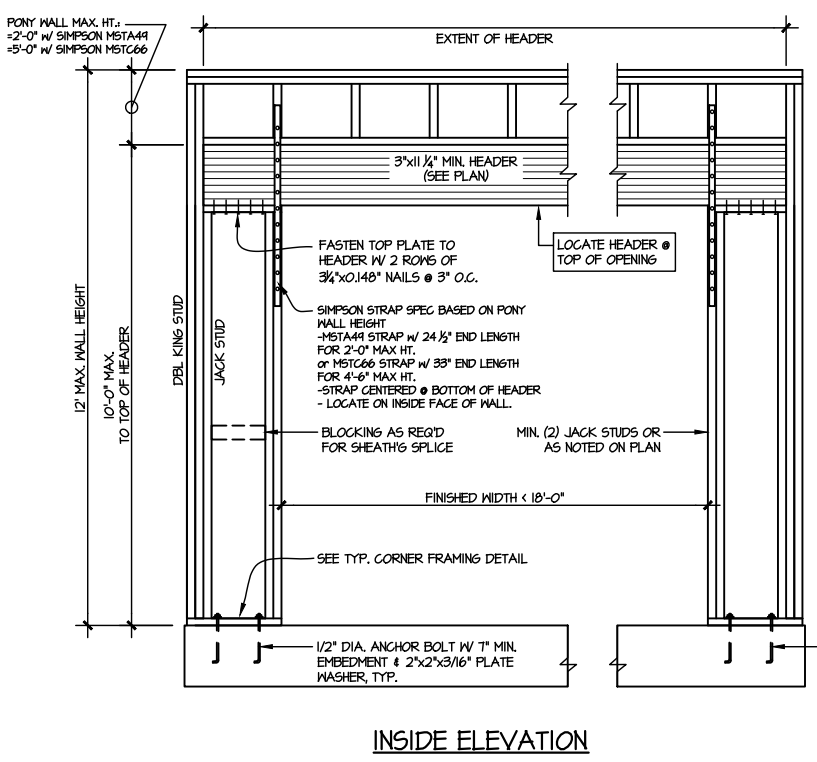
SECTION A-A THROUGH PIER



OUTSIDE ELEVATION

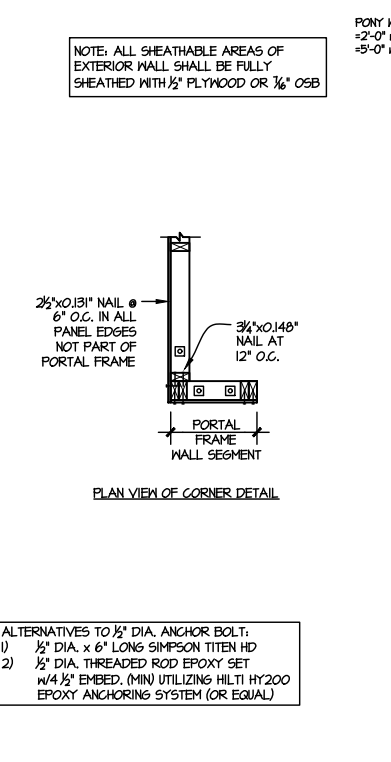


SECTION A-A THROUGH PIER



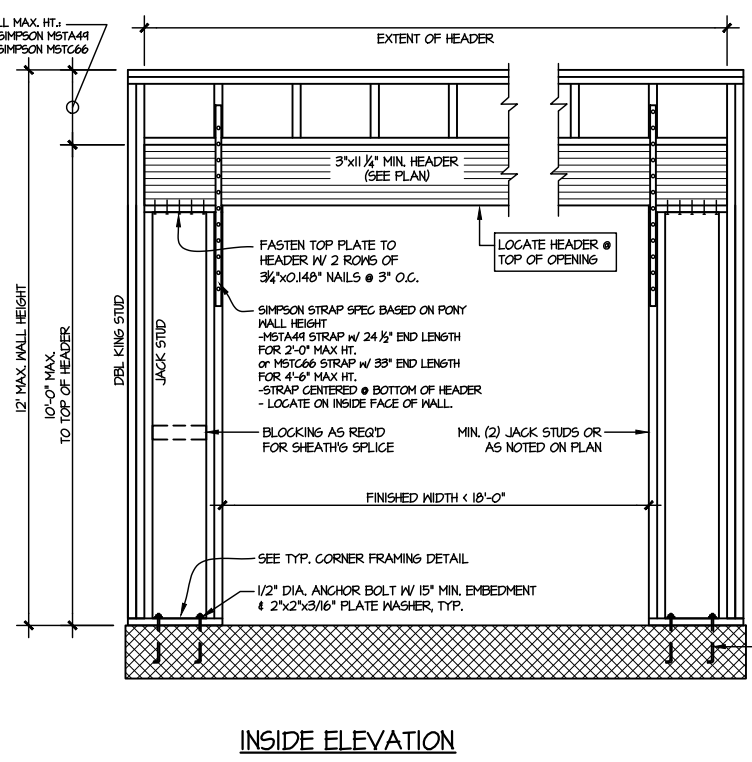
INSIDE ELEVATION

TWO SIDED PORTAL FRAME BRACING  
ELEVATION ON CONCRETE STEM  
SCALE: N.T.S.



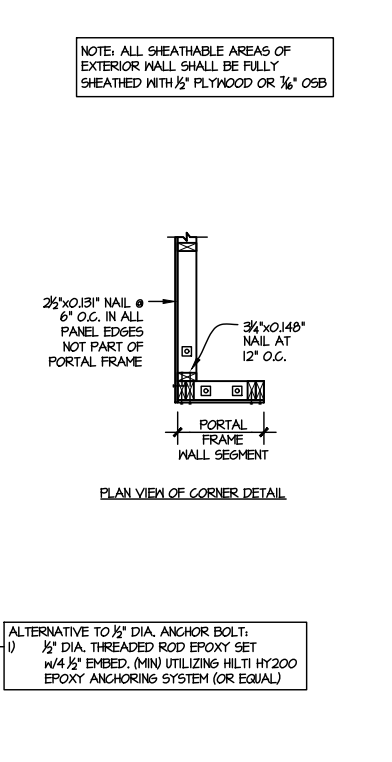
PLAN VIEW OF CORNER DETAIL

ALTERNATIVES TO 1/2" DIA. ANCHOR BOLT:  
1) 1/2" DIA. x 6" LONG SIMPSON TITEN HD  
2) 1/2" DIA. THREADED ROD EPOXY SET  
w/ 4 1/2" EMBED. (MIN) UTILIZING HILTI HY200  
EPOXY ANCHORING SYSTEM (OR EQUAL)



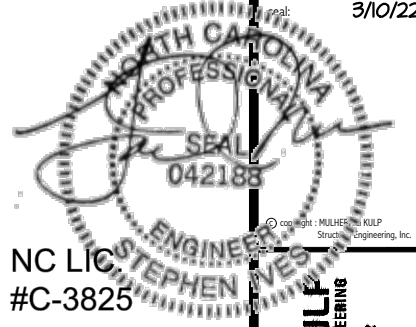
INSIDE ELEVATION

TWO SIDED PORTAL FRAME BRACING  
ELEVATION ON CMU STEM  
SCALE: N.T.S.



PLAN VIEW OF CORNER DETAIL

ALTERNATIVE TO 1/2" DIA. ANCHOR BOLT:  
1) 1/2" DIA. THREADED ROD EPOXY SET  
w/ 4 1/2" EMBED. (MIN) UTILIZING HILTI HY200  
EPOXY ANCHORING SYSTEM (OR EQUAL)



**MULHERN+KULF**  
 RESIDENTIAL STRUCTURAL ENGINEERING  
 300 Beavertide Ave, Building 4 - Asheville, PA 17002  
 P 215-546-8801 • mulhern+kulf.com



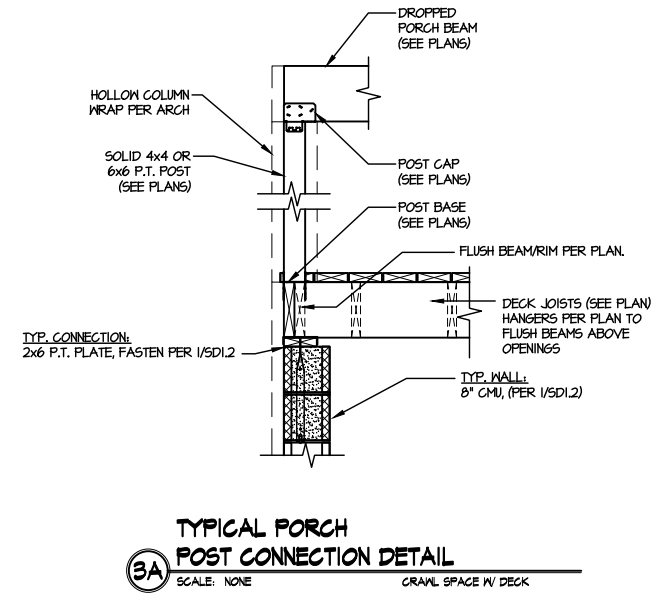
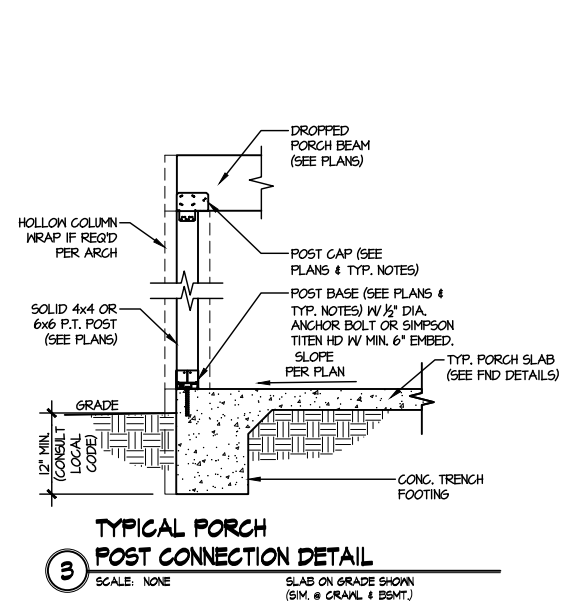
M&K project number:  
 126-21030  
 project mgr: JTR  
 drawn by: KL  
 issue date: 08-20-21

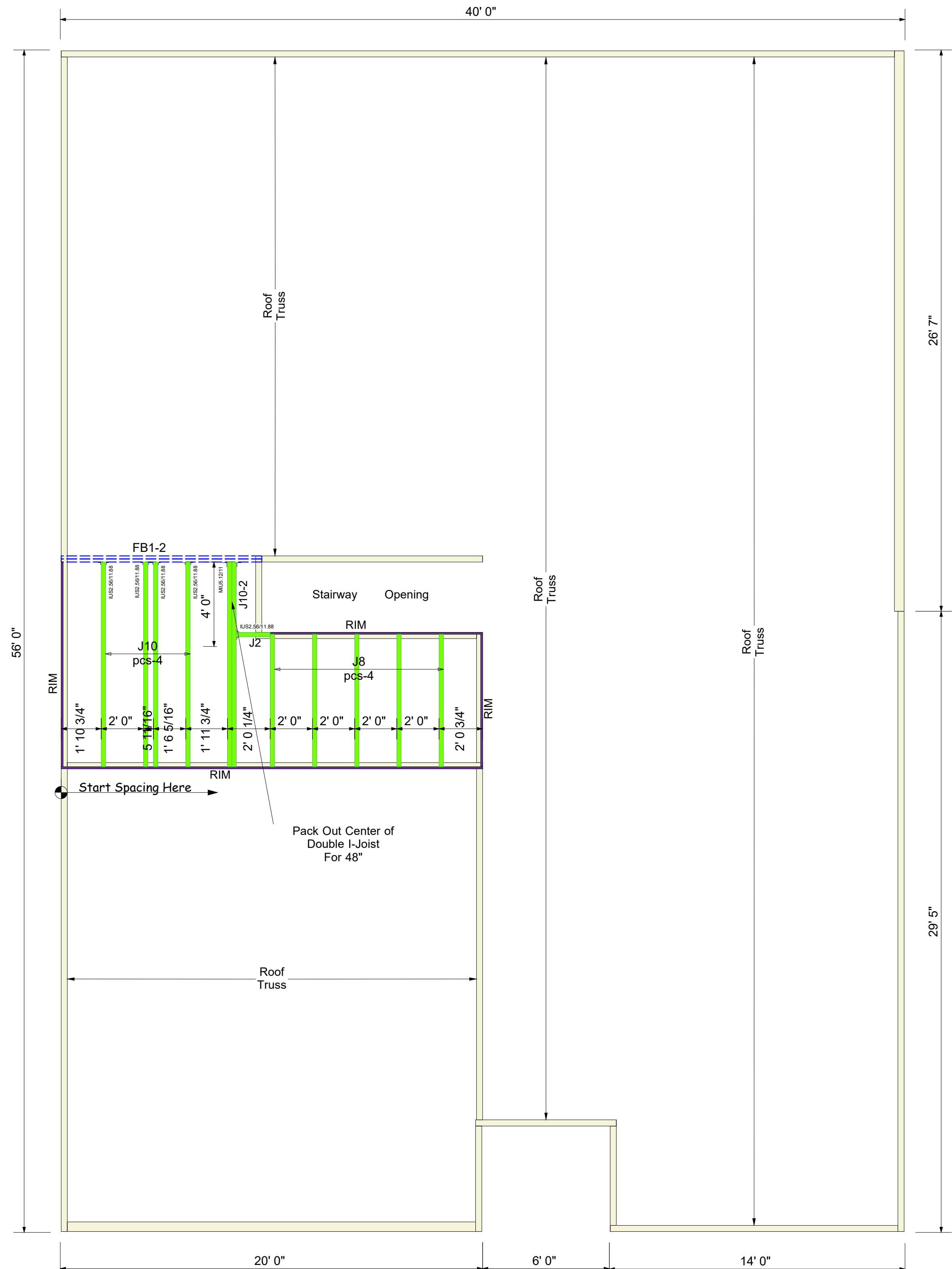
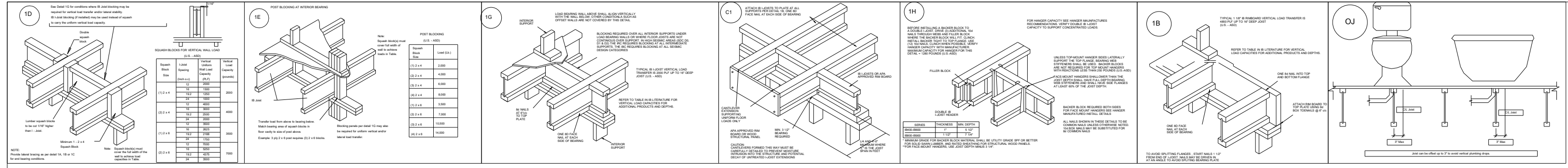
REVISIONS:  
 date: initial:  
 03/09/22 JTS



FRAMING DETAILS  
 COOPER 3 MODEL  
 RALEIGH, NC

sheet:  
**SD3.0**





Connector Summary		
Qty	Manuf	Product
5	Simpson	IUS2.56/11.88
1	Simpson	MIU5.12/11

Products					
PlotID	Length	Product	Plies	Net Qty	Fab Type
J10	10' 0"	11 7/8" PJI-40	1	4	MFD
J10-2	10' 0"	11 7/8" PJI-40	2	2	MFD
J8	8' 0"	11 7/8" PJI-40	1	5	MFD
J2	2' 0"	11 7/8" PJI-40	1	1	MFD
FB1-2	10' 0"	2.0 RigidLam DF LVL 1-3/4 x 11-7/8	2	2	FF
RIM	12' 0"	1 1/8" x 11 7/8" APA Rim Board	1	4	FF

BLOCK SOLID UNDER ALL POST /POINT LOADS FROM ABOVE - TYPICAL AT ALL LOCATIONS

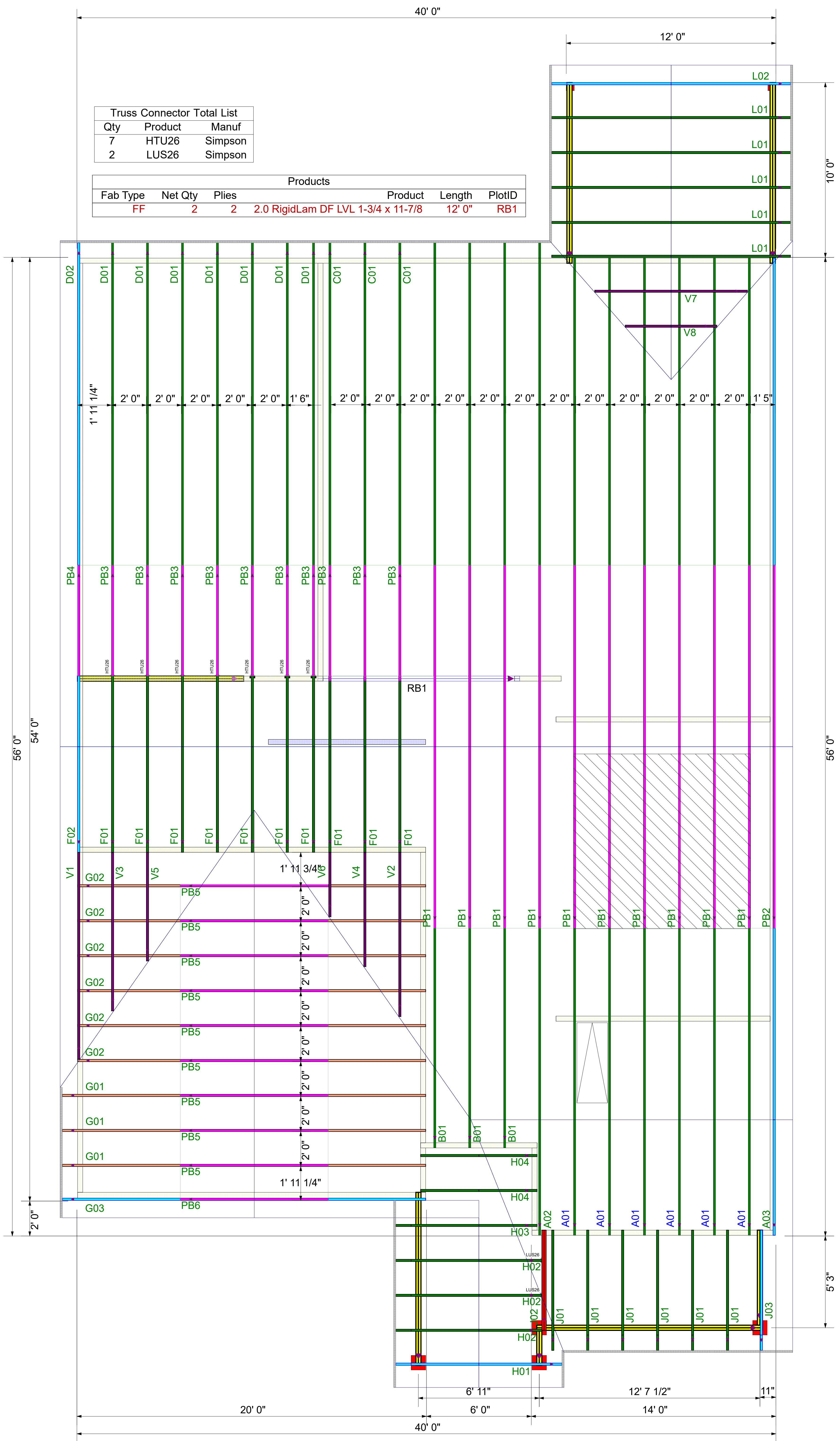
**2nd Floor I-Joist**  
DRAWING SCALE : NTS

PROJECT NUMBER <b>22040115</b>	REVISIONS	
SHEET NUMBER <b>1 / 1</b>	DATE 05.11.22	BY RKW

**Dan Ryan Builders**  
79 Farm at Neills Creek (Cooper3 9-GLFE)  
2nd FLOOR I-JOIST PLACEMENT PLAN

Truss Connector Total List		
Qty	Product	Manuf
7	HTU26	Simpson
2	LUS26	Simpson

Products					
Fab Type	Net Qty	Plies	Product	Length	PlotID
FF	2	2	2.0 RigidLam DF LVL 1-3/4 x 11-7/8	12' 0"	RB1



**ROOF LAYOUT**  
DRAWING SCALE : NTS

PROJECT NUMBER <b>22040115</b>
SHEET NUMBER <b>1 / 1</b>

REVISIONS	
DATE	BY
5-16-22	ND

<b>DRB GROUP</b>	
COOPER 9 - 79 FARM AT NEILLS CREEK	
<b>ROOF TRUSS LAYOUT</b>	

