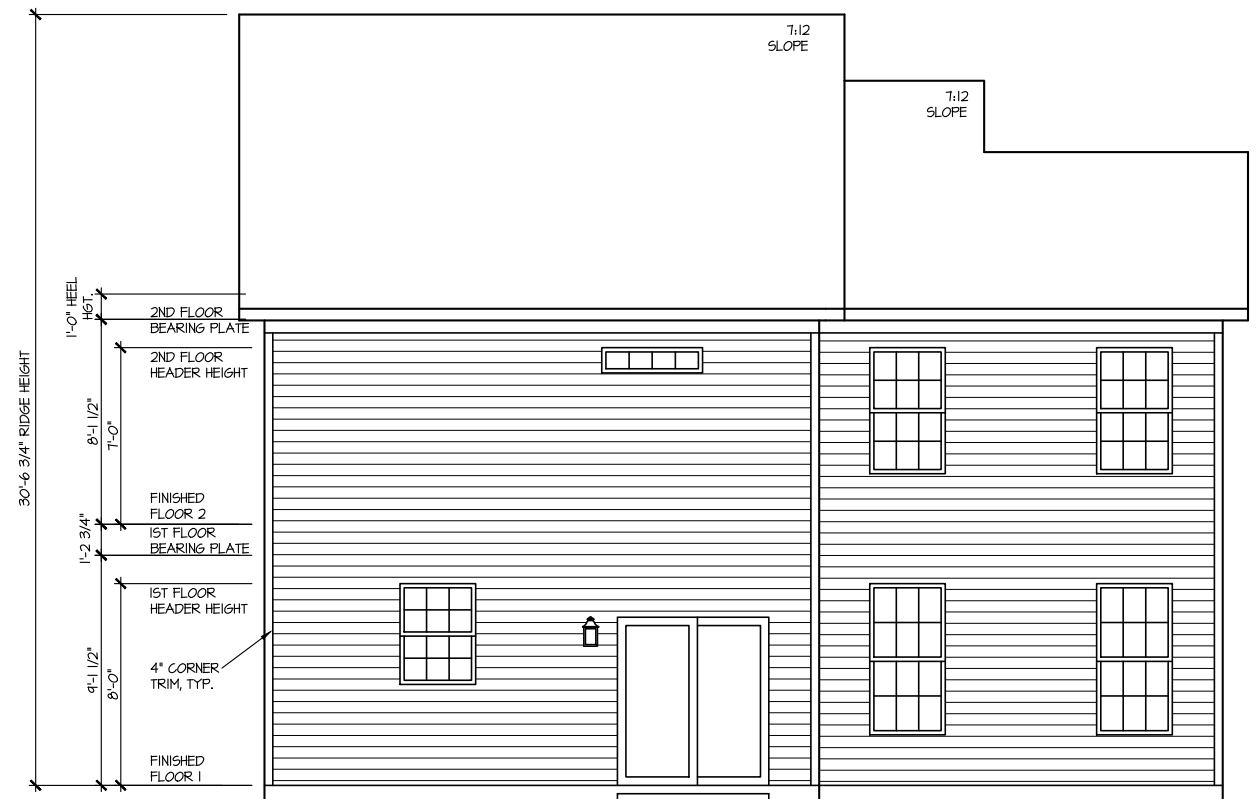


**FRONT ELEVATION I**

SCALE: 1/8" = 1'-0"



**REAR ELEVATION I**

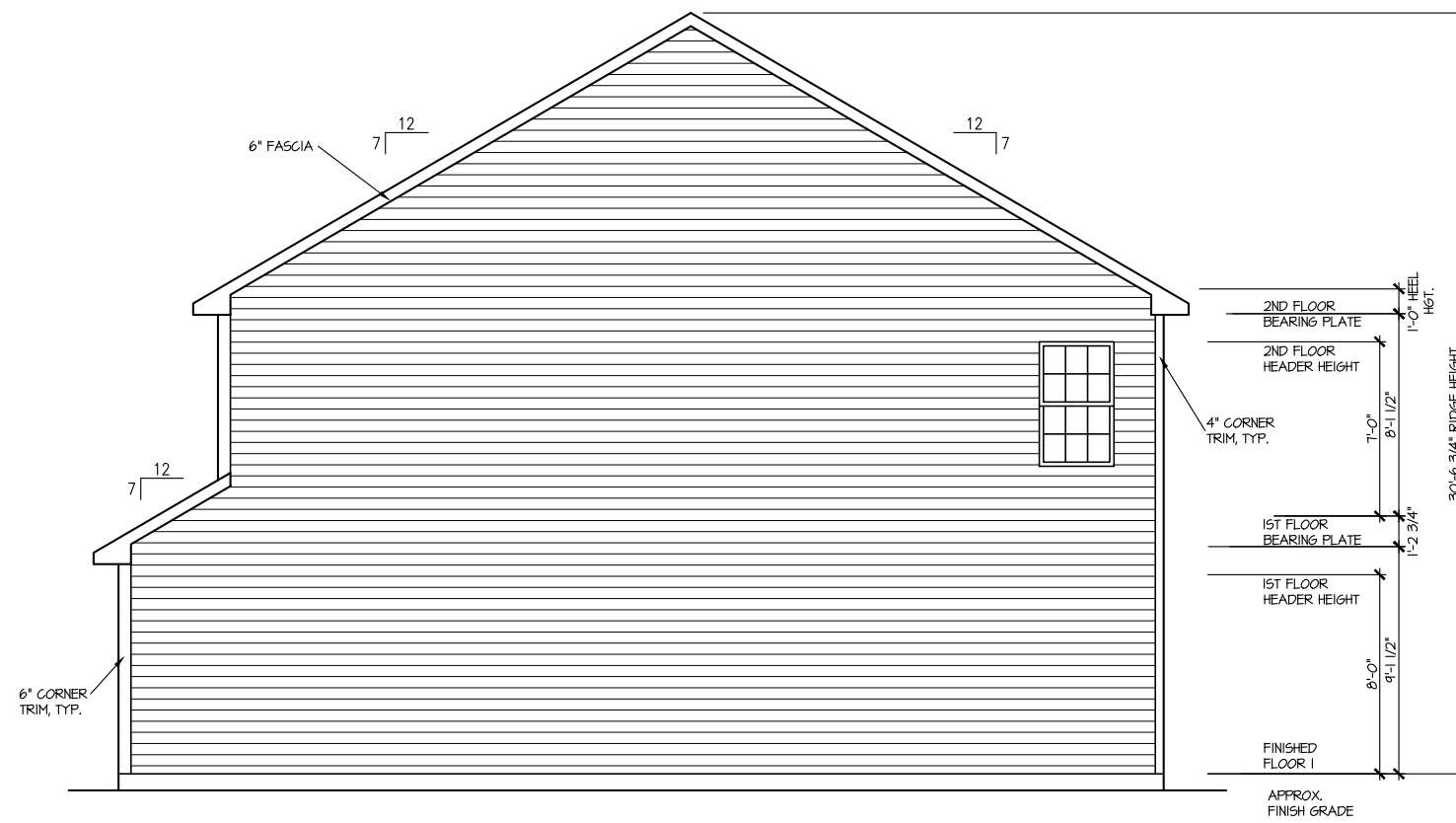
SCALE: 1/8" = 1'-0"

MASTER PLAN INFORMATION	
REVISION DATE	UPDATED DATE
R5-RALE 10-17-2019	01-31-2022

DRAWN BY:	ITS
DATE:	04/15/2022
PLAN NO.	1998

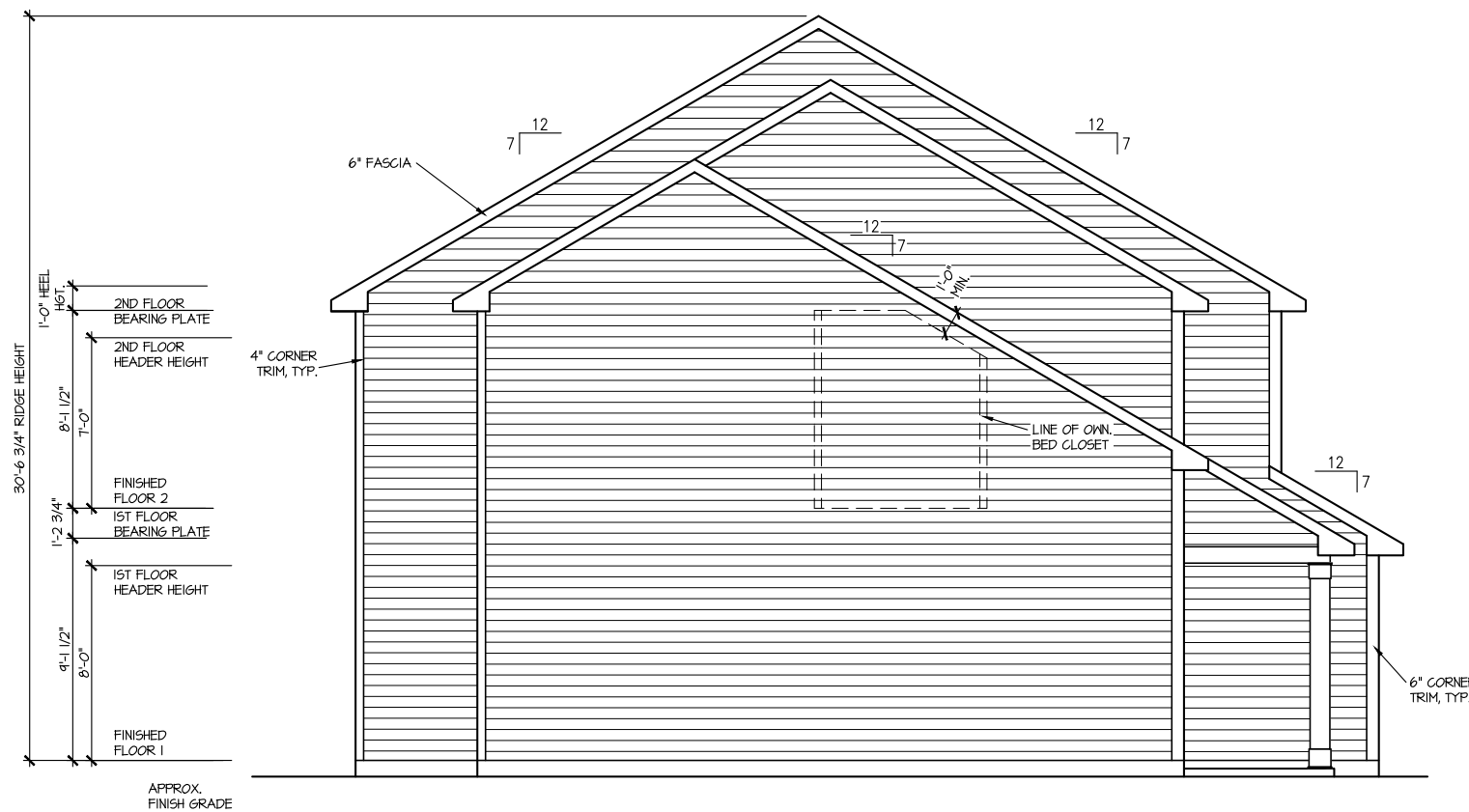
HOUSE NAME:	CAMERON
DRAWING TITLE	FRONT & REAR ELEVATIONS

SHEET No.	A.I
-----------	-----



**RIGHT ELEVATION I**

SCALE: 1/8" = 1'-0"



**LEFT ELEVATION I**

SCALE: 1/8" = 1'-0"

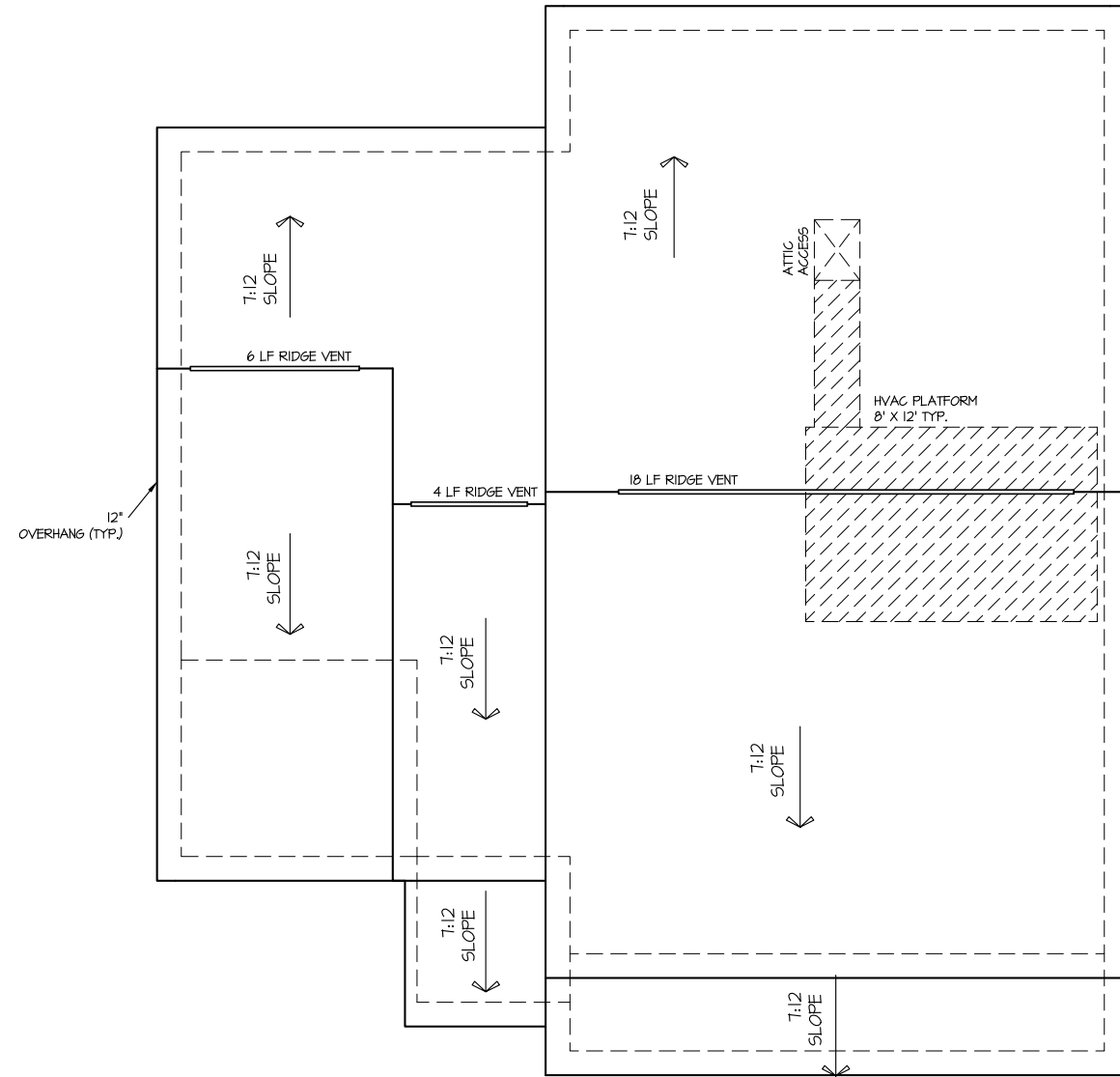
MASTER PLAN INFORMATION		UPDATED DATE
REVISION	DATE	01-31-2022
R5-RALE	10-17-2019	

DRAWN BY:	ITS
DATE:	04/15/2022
PLAN NO.	1998

HOUSE NAME:	CAMERON
DRAWING TITLE	RIGHT & LEFT ELEVATIONS

SHEET No.	A1.2
-----------	------

**ROOF VENTILATION CALCULATIONS:**  
ROOF AREA = 1300 SQ. FT.  
OVERALL REQUIRED VENTILATION:  
1 TO 150 = 8.67 SQ. FT.  
1 TO 300 = 4.33 SQ. FT.  
50-80% IN TOP THIRD = 2.17- 5.41 FT. (1 TO 300)  
NET FREE AREA OF VENTED SOFFIT = 5.7 SQ. IN / LINEAR FT.  
NET FREE AREA OF RIDGE VENT = 18 SQ. IN/ LINEAR FT.  
  
LOWER VENTING: (BOTTOM 2/3 RDS)  
77 LINEAR FEET OF SOFFIT X 5.7 SQ. IN. = 3.05 SQ. FT.  
UPPER VENTING: (TOP 1/3 RD)  
28 LINEAR FEET OF RIDGE X 18 SQ. IN = 3.5 SQ. FT.  
3.5 SQ. FT. BETWEEN 50% - 80%  
(1 TO 300 ALLOWED)  
TOTAL ROOF VENTILATION: 6.55 SQ. FT. > 4.33 SQ. FT. (REQ'D)



**ROOF PLAN ELEV. 1**

SCALE: 1/8" = 1'-0"

UPDATED DATE  
01-31-2022

MASTER PLAN INFORMATION  
REVISION DATE  
R5-RALE 10-17-2019

DRAWN BY:  
ITS

DATE:  
04/15/2022

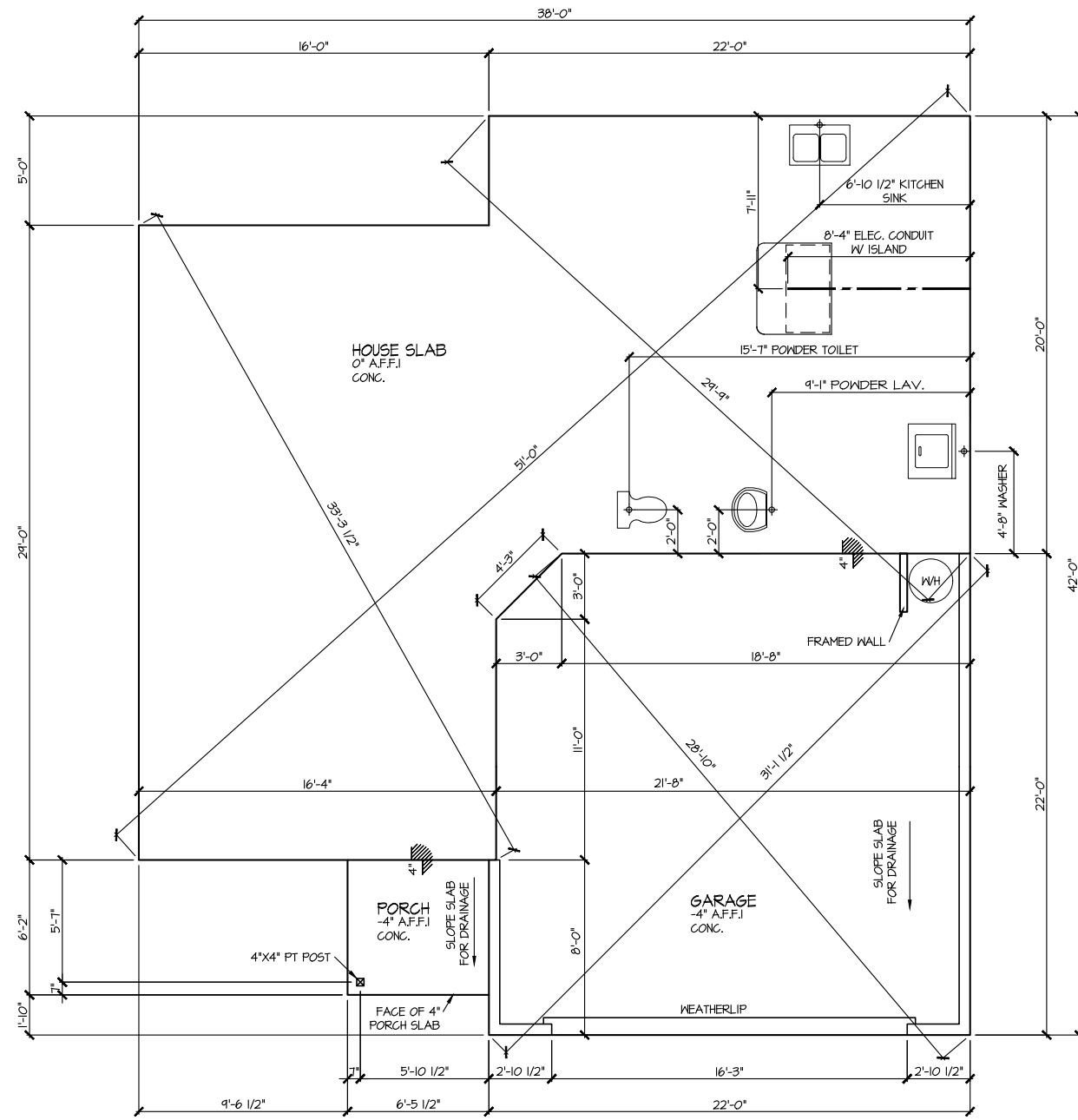
PLAN NO.  
1998



HOUSE NAME:  
**CAMERON**  
DRAWING TITLE  
ROOF PLAN

SHEET No.

**A1.3**



**ELEVATION I  
SLAB PLAN**

SCALE: 1/8" = 1'-0"

MASTER PLAN INFORMATION

REVISION	DATE	UPDATED DATE
R5-RALE	10-17-2019	01-31-2022

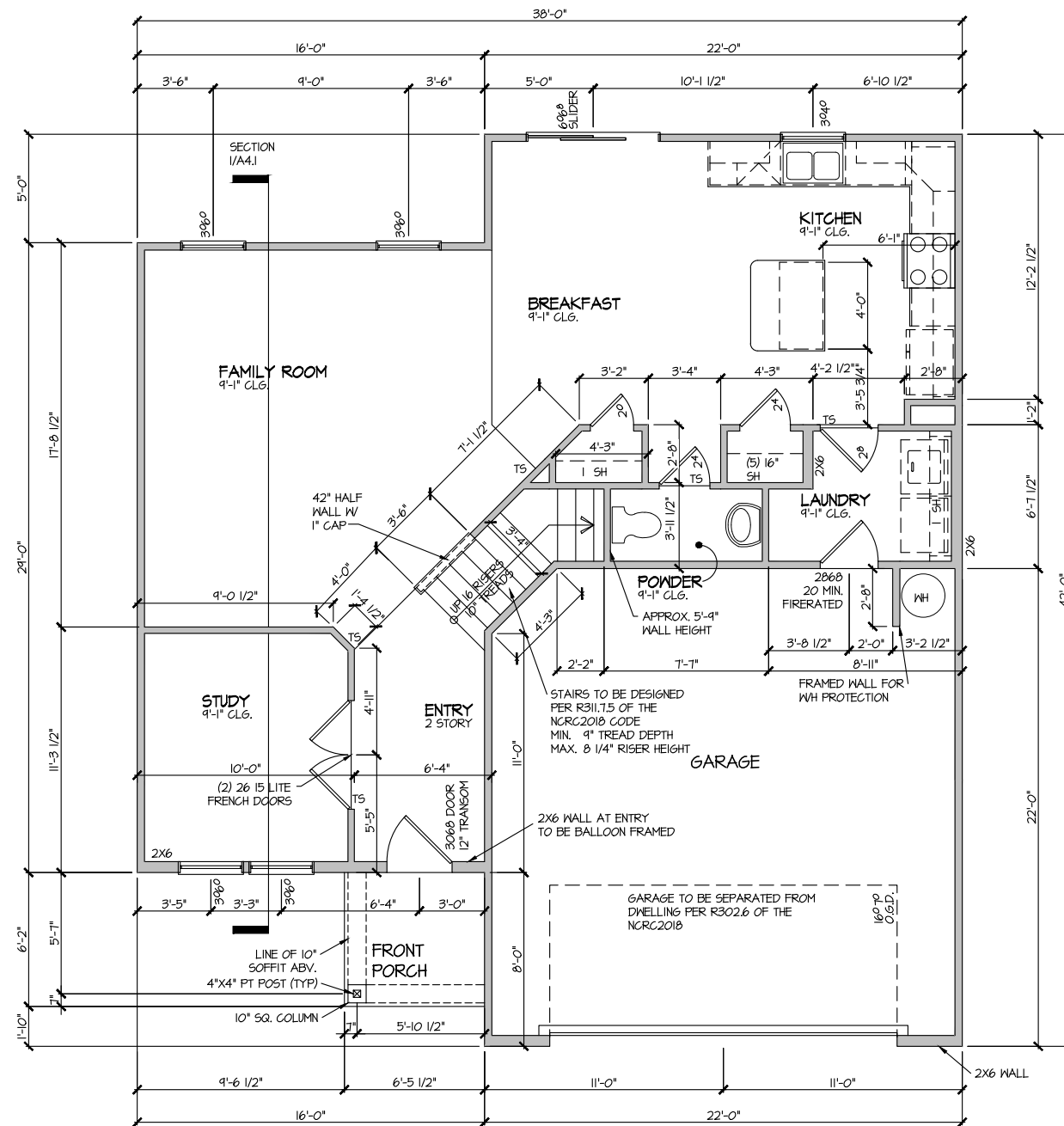
DRAWN BY:

ITS  
DATE: 04/15/2022  
PLAN NO. 1998

DRB GROUP  
DRB FIELDING  
DRB Coastal

HOUSE NAME: CAMERON  
DRAWING TITLE: SLAB PLAN

SHEET No. A2.1



### ELEVATION I FIRST FLOOR PLAN

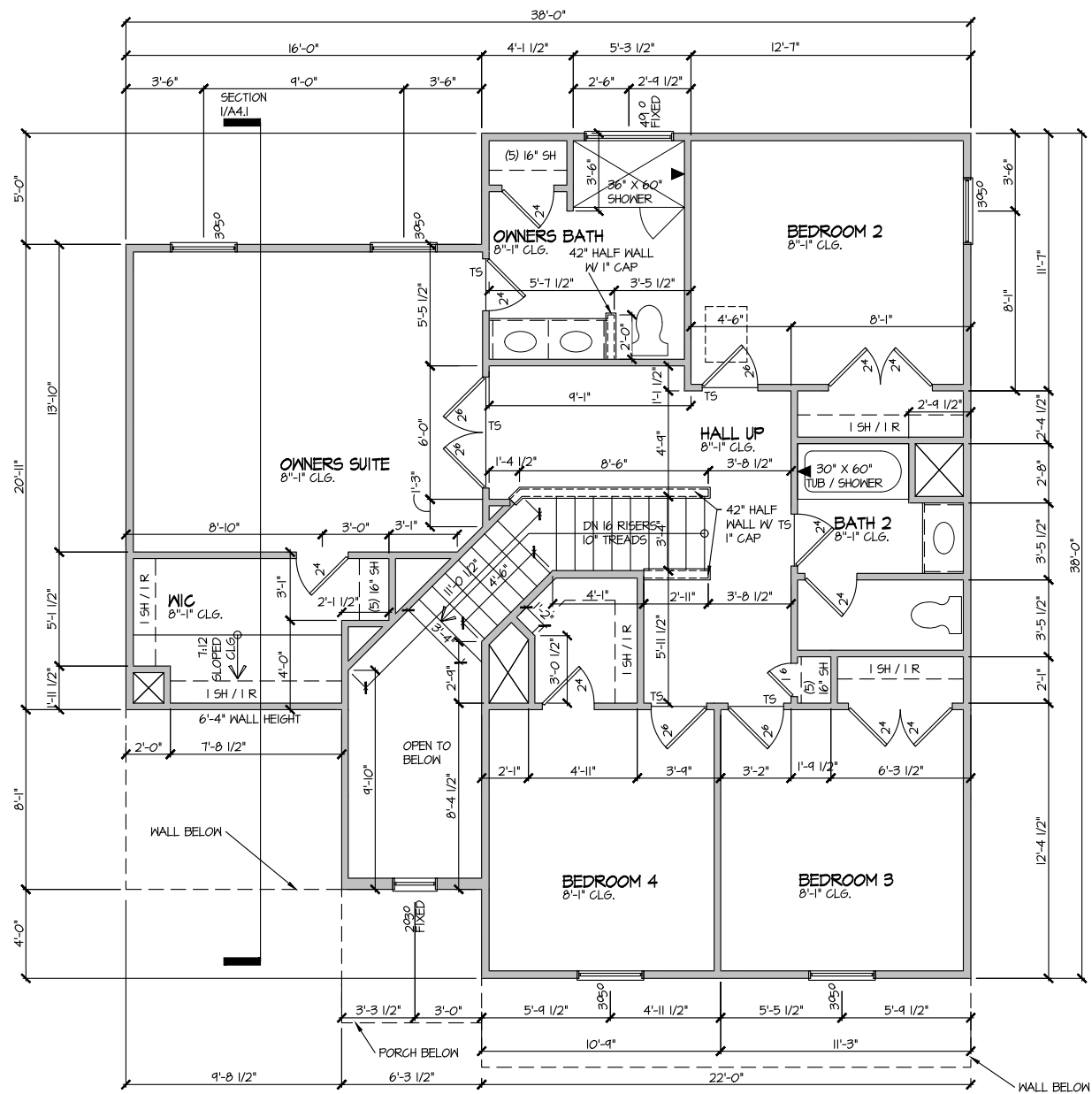
SCALE: 1/8" = 1'-0"

MASTER PLAN INFORMATION	
REVISION	DATE
RS-RALE	10-17-2019
UPDATED DATE	01-31-2022

DRAWN BY:	ITS
DATE:	04/15/2022
PLAN NO.	1998

HOUSE NAME:	CAMERON
DRAWING TITLE	FIRST FLOOR PLAN






SHEET No.	A3.1
-----------	------



ELEVATION I  
 SECOND FLOOR PLAN  
 SCALE: 1/8" = 1'-0"

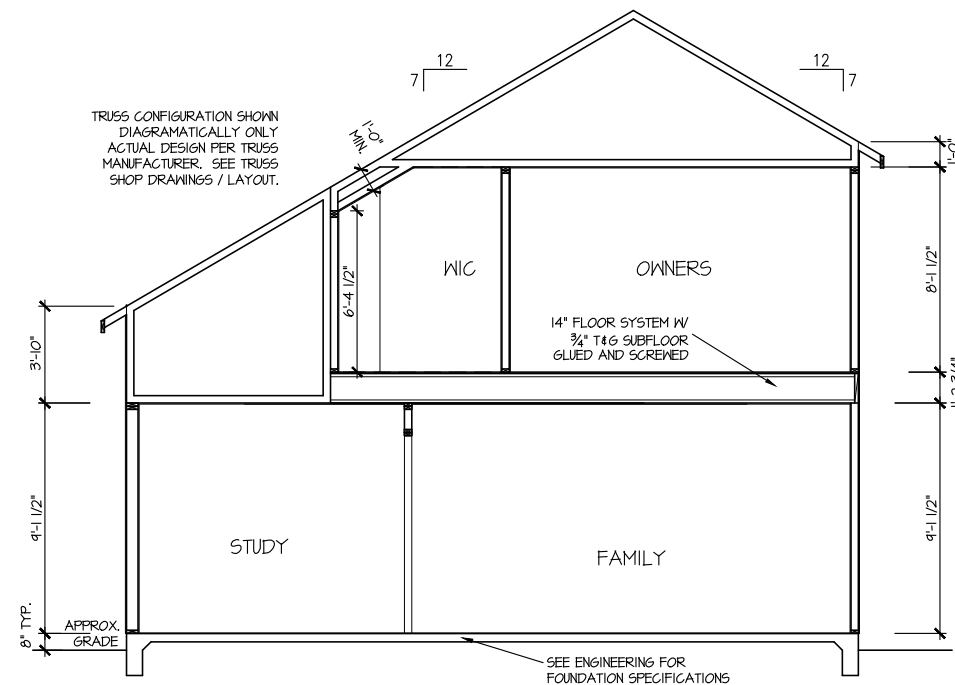
MASTER PLAN INFORMATION	
REVISION	DATE
R5-RALE	10-17-2019
UPDATED DATE	01-31-2022

DRAWN BY:	ITS
DATE:	04/15/2022
PLAN NO.	1998

HOUSE NAME:	CAMERON
DRAWING TITLE	SECOND FLOOR PLAN

SHEET No.	A3.2
-----------	------



**SECTION I**  
SCALE: 1/8" = 1'-0"

MASTER PLAN INFORMATION		UPDATED DATE
REVISION	DATE	01-31-2022
RS-RALE	10-17-2019	

DRAWN BY:	ITS
DATE:	04/15/2022
PLAN NO.	1998

DRB GROUP

DRB FIELDING

DRB Coastal

HOUSE NAME:	CAMERON
DRAWING TITLE	BUILDING SECTION

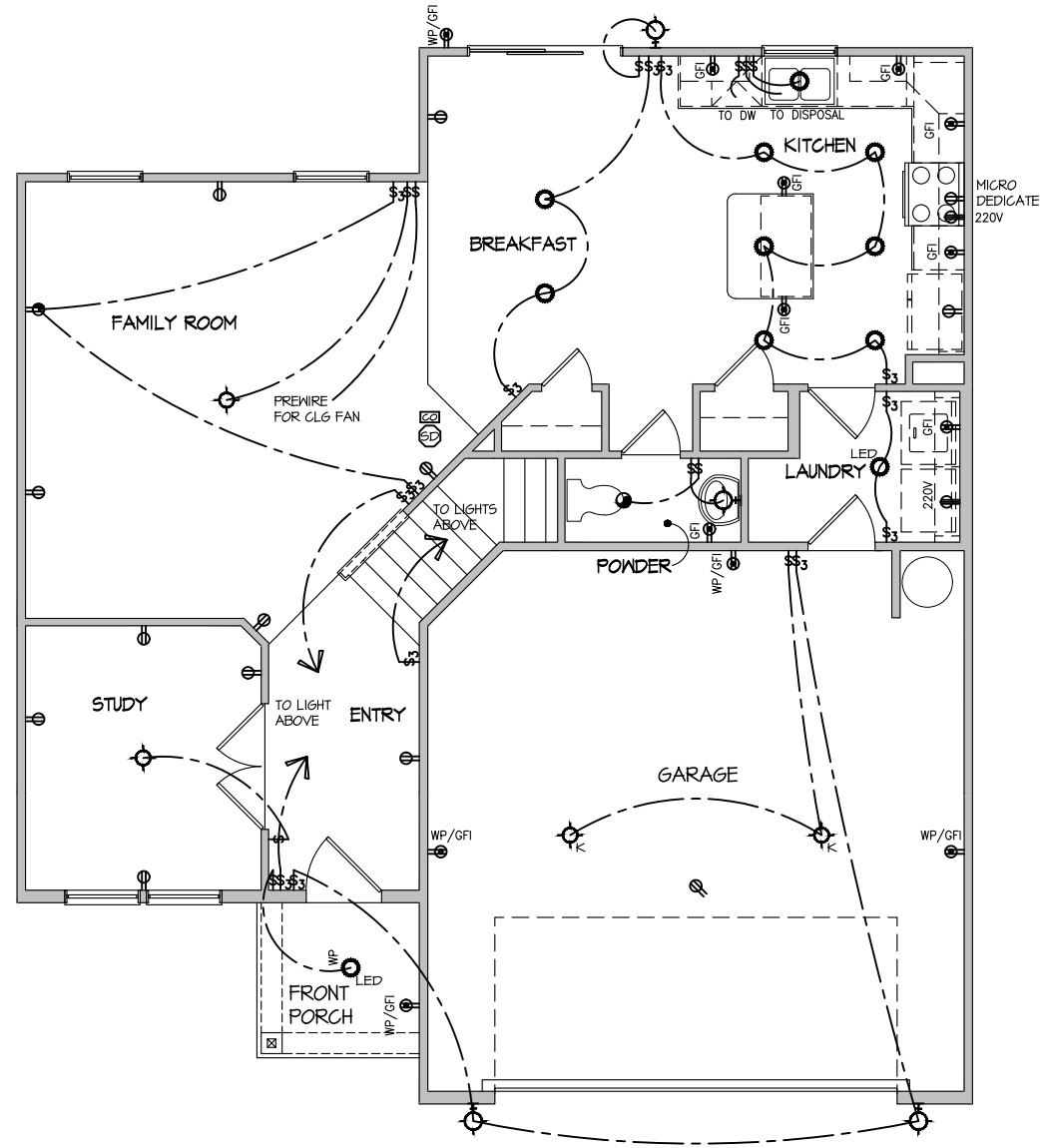
SHEET No.  
**A4.1**



**ELECTRICAL LEGEND**

- Ⓢ SINGLE POLE SWITCH
- Ⓢ<sub>3</sub> THREE WAY SWITCH
- Ⓢ<sub>4</sub> FOUR WAY SWITCH
- ⓈⓈ DUPLEX AFCI RECEPTACLE
- ⓈⓈⓈ DUPLEX AFCI RECEPTACLE - BOTTOM HALF SWITCHED
- ⓈⓈⓈ DUPLEX AFCI RECEPTACLE - FLOOR MOUNTED
- 220V Ⓢ RECEPTACLE - 220V
- GFI Ⓢ DUPLEX AFCI RECEPTACLE - GFI
- WP/GFI Ⓢ DUPLEX AFCI RECEPTACLE - WATERPROOF GFI
- ⓈⓈ SMOKE DETECTOR - WIRED IN SERIES
- Ⓢ EXHAUST FAN MOTOR
- Ⓢ CO DETECTOR
- Ⓢ DOOR CHIME
- Ⓢ LIGHT FIXTURE - WALL MOUNTED
- Ⓢ LIGHT FIXTURE - CEILING MOUNTED
- Ⓢ LIGHT FIXTURE - RECESSED CAN
- LED LIGHT FIXTURE - LED SURFACE MOUNTED
- Ⓢ FULLCHAIN LAMPHOLDER
- Ⓢ KEYLESS LAMPHOLDER

NOTE: ALL ELECTRICAL WORK SHALL CONFORM TO THE REQUIREMENTS OF THE ADOPTED VERSION OF THE NATIONAL ELECTRICAL CODE, THE LOCAL POWER COMPANY AND TO ALL APPLICABLE LOCAL REGULATIONS.



**ELECTRICAL PLAN  
FIRST FLOOR - ELEV. 1**

SCALE: 1/8" = 1'-0"

MASTER PLAN INFORMATION

REVISION	DATE	UPDATED DATE
R5-RALE	10-17-2019	01-31-2022

DRAWN BY: ITS

DATE: 04/15/2022

PLAN NO. 1998

**DRB**  
DRB GROUP

FIELDING  
FIELDING GROUP

DRB  
DRB GROUP

HOUSE NAME:  
**CAMERON**

DRAWING TITLE

**FIRST FLOOR ELECTRICAL**

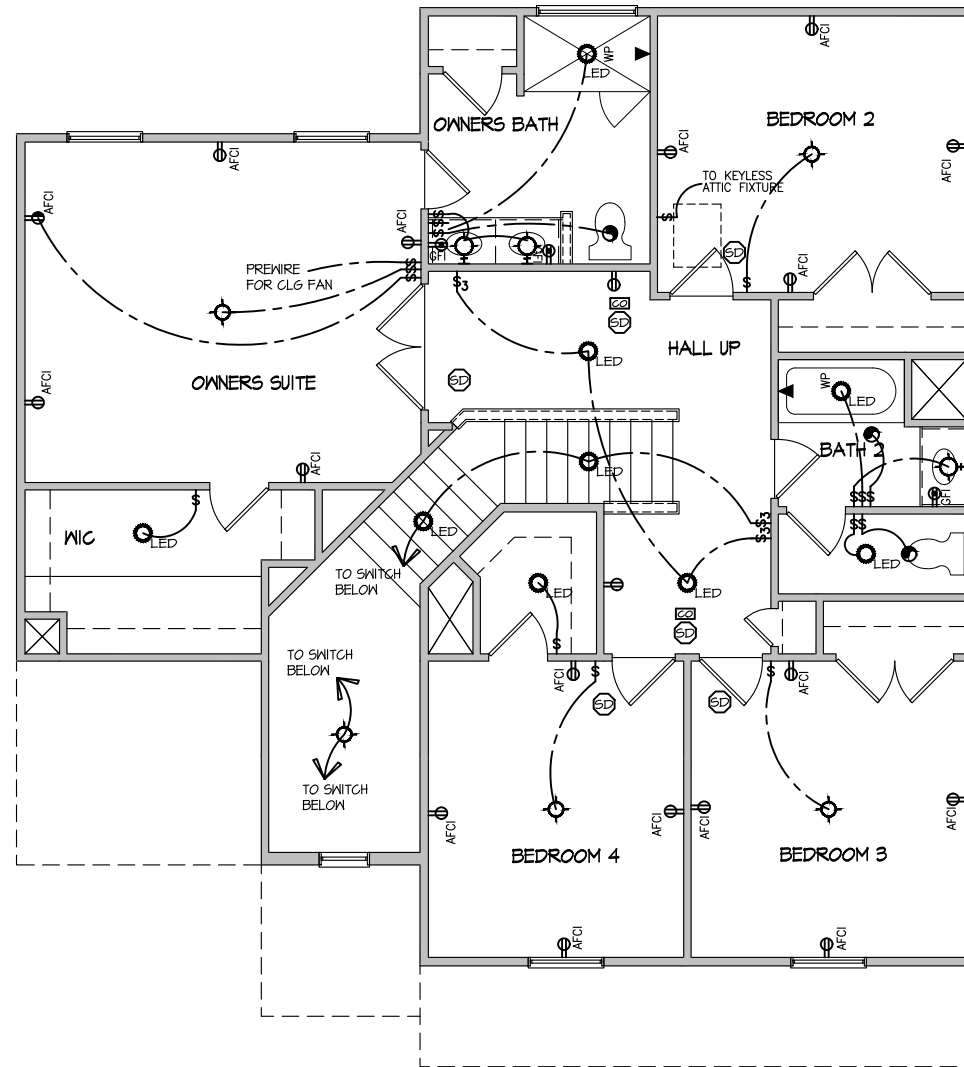
SHEET No.

**E.1**

**ELECTRICAL LEGEND**

- Ⓢ SINGLE POLE SWITCH
- Ⓢ<sub>3</sub> THREE WAY SWITCH
- Ⓢ<sub>4</sub> FOUR WAY SWITCH
- ⓈⓂ DUPLEX AFCI RECEPTACLE
- ⓈⓂ<sub>B</sub> DUPLEX AFCI RECEPTACLE - BOTTOM HALF SWITCHED
- Ⓜ DUPLEX AFCI RECEPTACLE - FLOOR MOUNTED
- 220V Ⓜ RECEPTACLE - 220V
- GF ⓈⓂ DUPLEX AFCI RECEPTACLE - GFI
- WP/GF ⓈⓂ DUPLEX AFCI RECEPTACLE - WATERPROOF GFI
- ⓈⓂ SMOKE DETECTOR - WIRED IN SERIES
- ⓈⓂ EXHAUST FAN MOTOR
- ⓈⓂ CO DETECTOR
- ⓈⓂ DOOR CHIME
- ⓈⓂ LIGHT FIXTURE - WALL MOUNTED
- ⓈⓂ LIGHT FIXTURE - CEILING MOUNTED
- ⓈⓂ LIGHT FIXTURE - RECESSED CAN
- LED LIGHT FIXTURE - LED SURFACE MOUNTED
- ⓈⓂ FULLCHAIN LAMPHOLDER
- ⓈⓂ KEYLESS LAMPHOLDER

NOTE: ALL ELECTRICAL WORK SHALL CONFORM TO THE REQUIREMENTS OF THE ADOPTED VERSION OF THE NATIONAL ELECTRICAL CODE, THE LOCAL POWER COMPANY AND TO ALL APPLICABLE LOCAL REGULATIONS.



**ELECTRICAL PLAN  
SECOND FLOOR - ELEV. 1**

SCALE: 1/8" = 1'-0"

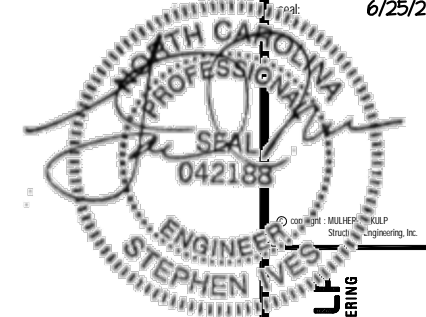
MASTER PLAN INFORMATION	
REVISION	DATE
R5-RALE	10-17-2019
UPDATED DATE	01-31-2022

DRAWN BY: ITS  
DATE: 04/15/2022  
PLAN NO. 1998

HOUSE NAME: CAMERON  
DRAWING TITLE: SECOND FLOOR ELECTRICAL

SHEET No. E1.2

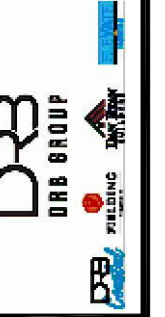




**MULHERN+KULF**  
RESIDENTIAL STRUCTURAL ENGINEERING  
300 Brookside Ave. Building 4 • Amber, PA 18002  
P 215-946-8001 • mulhern+kulp.com  
NC LIC. # C-3825

M&K project number:  
126-21011  
project mgr: JTR  
drawn by: MDH  
issue date: 06-25-21

REVISIONS:  
date: initial:



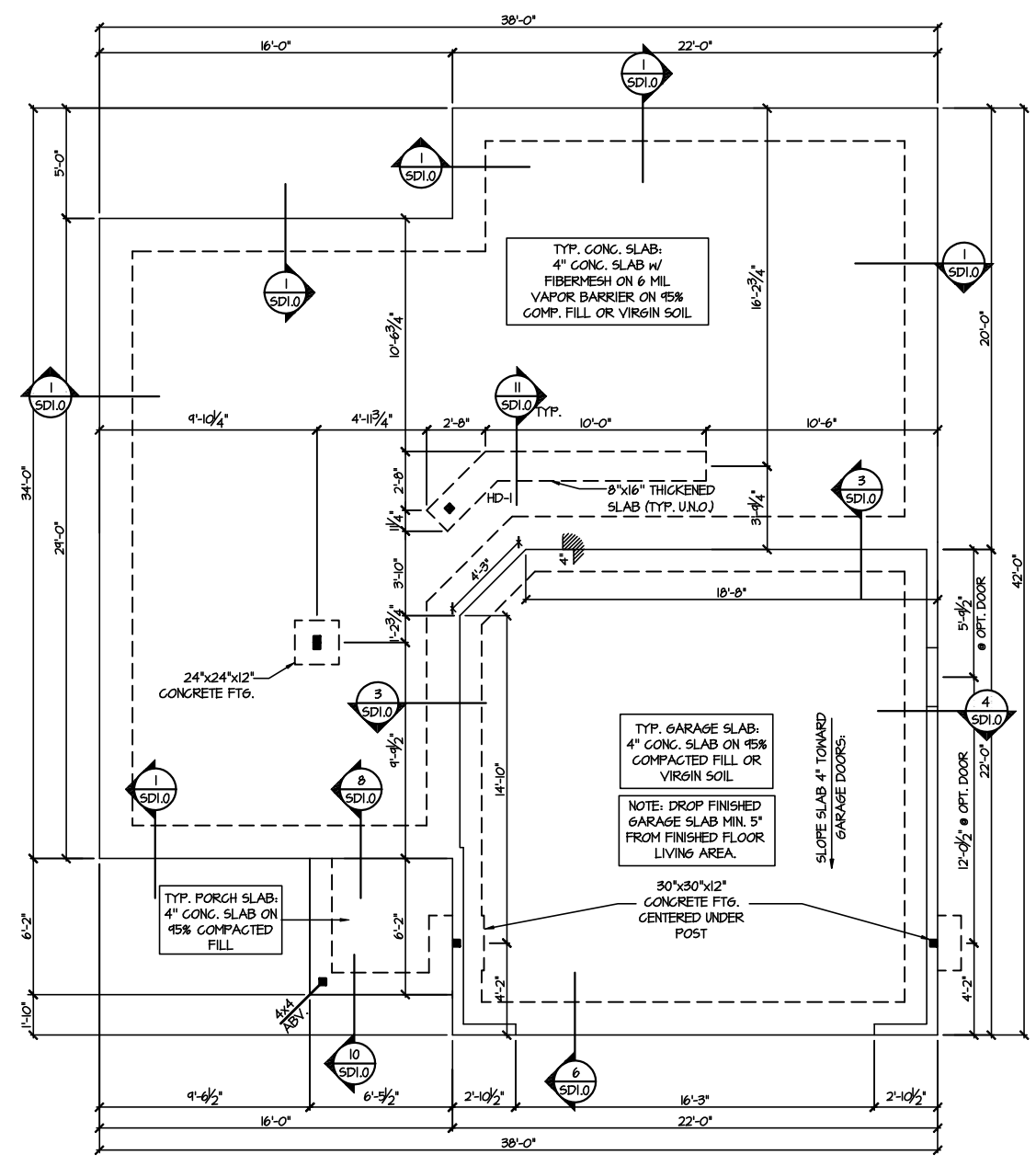
Foundation Plans  
CAMERON MODEL  
RALEIGH, NC

sheet: Right Hand  
**S1.0**

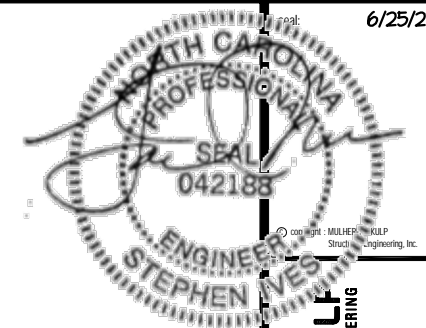
REFER TO SO.0 FOR  
TYPICAL STRUCTURAL NOTES  
& SCHEDULES

**LEGEND**

- [Symbol] INTERIOR BEARING WALL
- [Symbol] BEARING WALL ABOVE
- [Symbol] BEAM / HEADER
- [Symbol] INDICATES SHEAR WALL & EXTENT
- [Symbol] EXTENT OF OVERFRAMING
- JL METAL HANGER
- \* INDICATES POST ABOVE. PROVIDE SOLID BLOCKING UNDER POST OR JAMB ABOVE.
- ▶ INDICATES HOLD-DOWN OR STRAP. REFER TO SCHEDULE.

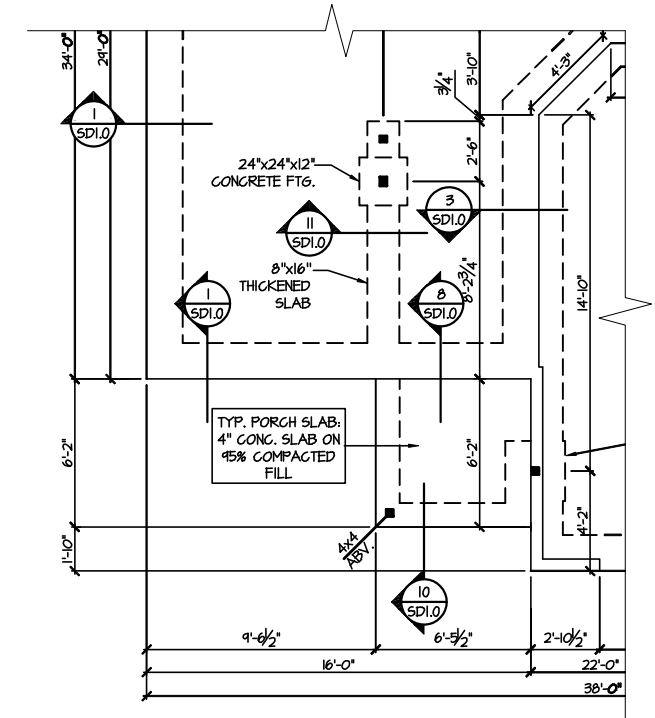


**1 MONO SLAB FOUNDATION PLAN**  
SCALE: 1/8"=1'-0"  
ELEVATION #1



REFER TO SO.0 FOR  
TYPICAL STRUCTURAL NOTES  
& SCHEDULES

LEGEND	
	INTERIOR BEARING WALL
	BEARING WALL ABOVE
	BEAM / HEADER
	INDICATES SHEAR WALL & EXTENT
	EXTENT OF OVERFRAMING
JL	METAL HANGER
*	INDICATES POST ABOVE. PROVIDE SOLID BLOCKING UNDER POST OR JAMB ABOVE.
	INDICATES HOLD-DOWN OR STRAP. REFER TO SCHEDULE.



**3 PARTIAL MONO SLAB FOUNDATION PLAN  
OPTIONAL STUDY**  
SCALE: 1/8"=1'-0" ELEV. #1 SHOWN - ALL ELEV. SIM.

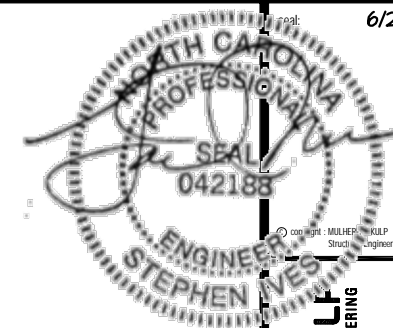
**MULHERN+KULP**  
RESIDENTIAL STRUCTURAL ENGINEERING  
300 Brookside Ave. Building 4 • Amber, PA 18002  
P 215-946-8001 • mulhern+kulp.com  
NC LIC. #C-3825

M&K project number:	126-21011
project mgr:	JTR
drawn by:	MDH
issue date:	06-25-21
REVISIONS:	
date:	initial:

**DRB DRB GROUP**  
DRB BUILDING CONSULTANTS

Foundation Plans  
CAMERON MODEL  
RALEIGH, NC

sheet: Right Hand  
**S1.1**



**MULHERN+KULF**  
RESIDENTIAL STRUCTURAL ENGINEERING  
300 Brookside Ave. Building 4 • Amber, PA 18002  
P 215-946-8001 • mulhern+kulp.com  
NC LIC. #C-3825

REFER TO SO.0 FOR  
TYPICAL STRUCTURAL NOTES  
& SCHEDULES

SD2.0 & SD2.1 REFERS TO SD2.0J  
& SD2.1J FOR I-JOIST FLOOR  
FRAMING OR SD2.0T & SD2.1T  
FOR TRUSS FLOOR FRAMING

SD2.1J/SD2.1T REFERS TO  
SD2.1JA/SD2.1TA FOR LVL/PSL/LSL  
BEAMS OR SD2.1JB/SD2.1TB FOR  
FLITCH BEAMS OR  
SD2.1JC/SD2.1TC FOR STEEL  
BEAMS

**LEGEND**

- ▬ INTERIOR BEARING WALL
- ▬ BEARING WALL ABOVE
- ▬ BEAM / HEADER
- ▬ INDICATES SHEAR WALL & EXTENT
- ▬ EXTENT OF OVERFRAMING
- J.L. METAL HANGER
- \* INDICATES POST ABOVE. PROVIDE SOLID BLOCKING UNDER POST OR JAMB ABOVE.
- ▶ INDICATES HOLD-DOWN OR STRAP. REFER TO SCHEDULE.

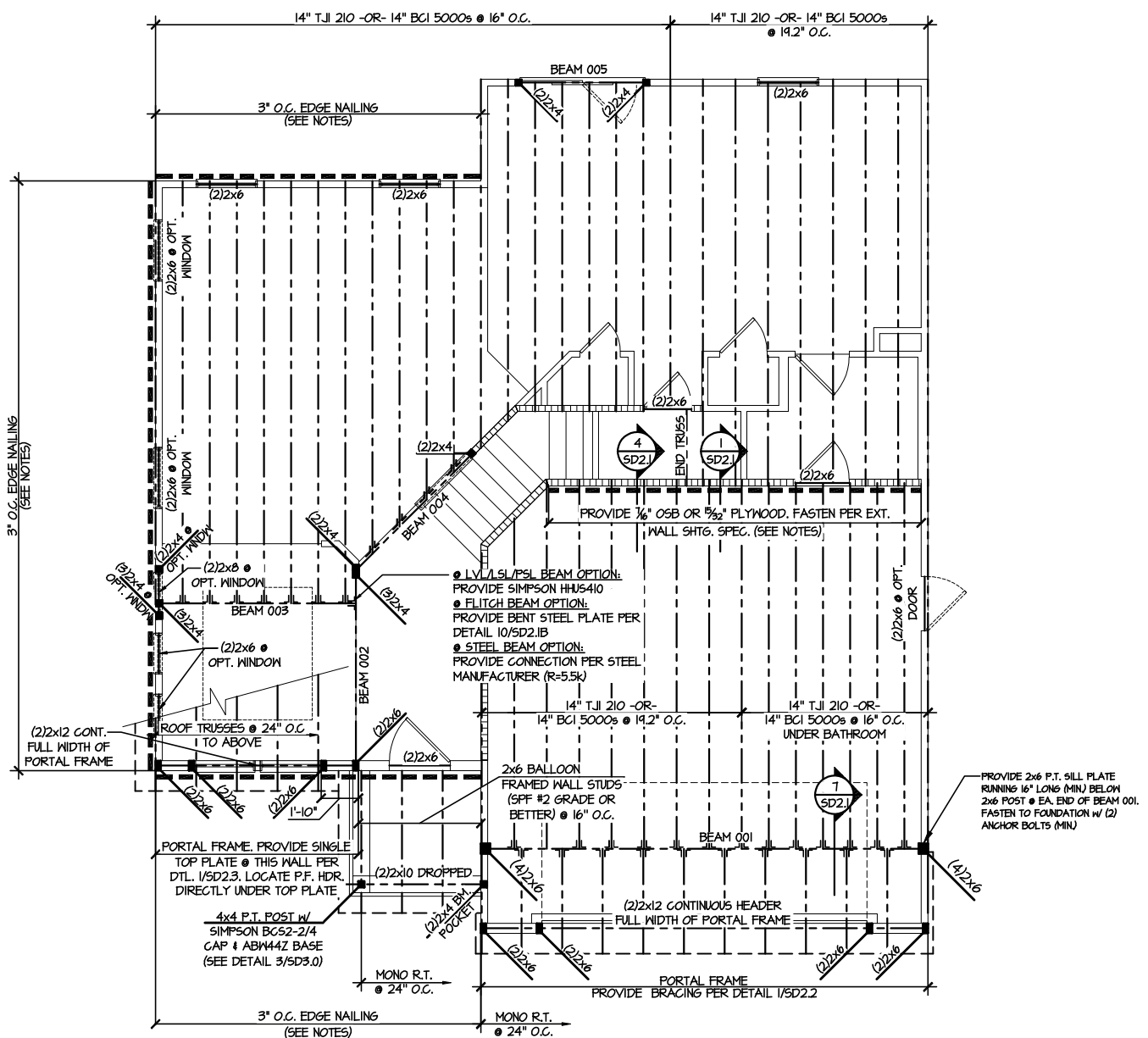
**ENGINEERED BEAM MATERIAL SCHEDULE**

BEAM NUMBER	LVL OPTION	PSL OPTION	LSL OPTION	FLITCH OPTION	STEEL OPTION
001	(4) 3/4" x 10" - FT	7" x 8" - FT	N/A	(4) 2x12 + (8) 3/4" x 10" STEEL FLITCH PLATES - FB	M2x80 - F
001A	(4) 3/4" x 10" - D	7" x 8" - D	N/A	(4) 2x12 + (8) 3/4" x 10" STEEL FLITCH PLATES - D	M2x80 - D
002	(2) 3/4" x 14" - F	3 1/2" x 14" - F	(2) 3/4" x 14" - F	(2) 2x12 + (1) 3/4" x 10" STEEL FLITCH PLATE - FB	M2x14 - F
003	(2) 3/4" x 14" - F	3 1/2" x 14" - F	(2) 3/4" x 14" - F	(2) 2x12 + (1) 3/4" x 10" STEEL FLITCH PLATE - FB	M2x14 - F
004	(1) 3/4" x 14" - F	1 3/4" x 14" - F	(1) 3/4" x 14" - F	(2) 2x12 + (1) 3/4" x 10" STEEL FLITCH PLATE - FB	M2x14 - F
005	(2) 3/4" x 4" - H	3 1/2" x 4" - H	(2) 3/4" x 4" - H	(2) 2x10 + (1) 3/4" x 4" STEEL FLITCH PLATE - H	M8x10 - H
006	(2) 3/4" x 14" - H	3 1/2" x 14" - H	(3) 3/4" x 14" - H	(2) 2x12 + (1) 3/4" x 10" STEEL FLITCH PLATE - H	N/A
007	(2) 3/4" x 14" - F	3 1/2" x 14" - F	(2) 3/4" x 14" - F	(2) 2x12 + (1) 3/4" x 10" STEEL FLITCH PLATES - FB	M2x14 - F
007A	(3) 3/4" x 14" - F	5 1/4" x 14" - F	(3) 3/4" x 14" - F	(3) 2x12 + (2) 3/4" x 10" STEEL FLITCH PLATES - FB	M2x14 - F
008	(2) 3/4" x 14" - F	3 1/2" x 14" - F	(3) 3/4" x 14" - F	(2) 2x12 + (1) 3/4" x 10" STEEL FLITCH PLATES - FB	M2x14 - F
008A	(3) 3/4" x 14" - F	5 1/4" x 14" - F	(3) 3/4" x 14" - F	(3) 2x12 + (2) 3/4" x 10" STEEL FLITCH PLATES - FB	M2x14 - F
004	(3) 3/4" x 16" - D	5 1/4" x 16" - D	N/A	(3) 2x12 + (2) 3/4" x 10" STEEL FLITCH PLATES - D	M2x14 - D
010	(2) 3/4" x 4" - D	3 1/2" x 4" - D	(2) 3/4" x 4" - D	(2) 2x10 + (1) 3/4" x 4" STEEL FLITCH PLATE - D	M8x10 - D
011	(2) 3/4" x 14" - F	3 1/2" x 14" - F	(2) 3/4" x 14" - F	(2) 2x12 + (1) 3/4" x 10" STEEL FLITCH PLATE - FB	M2x14 - F

**BEAM NOTATION:**

- "F" INDICATES FLUSH BEAM
- "FT" INDICATES FLUSH TOP BEAM
- "FB" INDICATES FLUSH BOTTOM BEAM
- "D" INDICATES DROPPED BEAM
- "H" INDICATES DROPPED OPENING HEADER

REFER TO DETAIL D/SD2.0 FOR TYPICAL FLITCH BEAM CONNECTIONS  
REFER TO DETAIL E/SD2.0 FOR TYPICAL STEEL BEAM CONNECTIONS  
FOR FLUSH TOP BEAMS PROVIDE 2X STACKED PLATES BENEATH BEAM AS REQ'D. FASTEN PLATES IN SUCCESSION W/ (2) 3"x0.120" NAILS @ 8" O.C.  
FOR FLUSH BOTTOM BEAMS PROVIDE 2X STACKED PLATES ATOP BEAM AS REQ'D. FASTEN PLATES IN SUCCESSION W/ (2) 3"x0.120" NAILS @ 8" O.C.



**2ND FLOOR FRAMING PLAN - I-JOISTS**  
SCALE: 1/8"=1'-0"  
ELEVATION #1

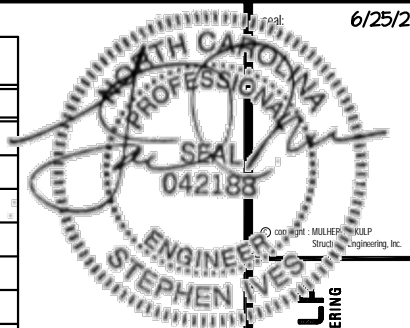
M&K project number:  
126-21011  
project mgr: JTR  
drawn by: MDH  
issue date: 06-25-21

REVISIONS:  
date: initial



Floor Framing Plans  
CAMERON MODEL  
RALEIGH, NC

sheet: Right Hand  
**S3.0J**



**MULHERN+KULF**  
RESIDENTIAL STRUCTURAL ENGINEERING  
300 Brookside Ave. Building 4 • Amber, PA 19002  
P 215-946-8001 • mulhern+kulp.com  
NC LIC. #C-3825

**ENGINEERED BEAM MATERIAL SCHEDULE**

BEAM NUMBER	LVL OPTION	PSL OPTION	LSL OPTION	FLITCH OPTION	STEEL OPTION
001	(4)1 1/2"x10" - FT	7"x18" - FT	N/A	(4)2x12 + (3) 3/4"x1 1/4" STEEL FLITCH PLATES - FB	W12x30 - F
001A	(4)1 1/2"x10" - D	7"x18" - D	N/A	(4)2x12 + (3) 3/4"x1 1/4" STEEL FLITCH PLATES - D	W12x30 - D
002	(2)1 1/2"x14" - F	3 1/2"x14" - F	(2)1 1/4"x14" - F	(2)2x12 + (1) 1/2"x1 1/4" STEEL FLITCH PLATE - FB	W12x14 - F
003	(2)1 1/2"x14" - F	3 1/2"x14" - F	(2)1 1/4"x14" - F	(2)2x12 + (1) 1/2"x1 1/4" STEEL FLITCH PLATE - FB	W12x14 - F
004	(1)1 1/2"x14" - F	1 1/2"x14" - F	(1)1 1/4"x14" - F	(2)2x12 + (1) 1/2"x1 1/4" STEEL FLITCH PLATE - FB	W12x14 - F
005	(2)1 1/2"x14" - H	3 1/2"x14" - H	(2)1 1/4"x14" - H	(2)2x10 + (1) 1/2"x1 1/4" STEEL FLITCH PLATE - H	W10x10 - H
006	(2)1 1/2"x14" - H	3 1/2"x14" - H	(3)1 1/4"x14" - H	(2)2x12 + (1) 1/2"x1 1/4" STEEL FLITCH PLATE - H	N/A
007	(2)1 1/2"x14" - F	3 1/2"x14" - F	(2)1 1/4"x14" - F	(2)2x12 + (1) 1/2"x1 1/4" STEEL FLITCH PLATE - FB	W12x14 - F
007A	(3)1 1/2"x14" - F	3 1/2"x14" - F	(3)1 1/4"x14" - F	(3)2x12 + (2) 1/2"x1 1/4" STEEL FLITCH PLATES - FB	W12x14 - F
008	(2)1 1/2"x14" - F	3 1/2"x14" - F	(3)1 1/4"x14" - F	(2)2x12 + (1) 1/2"x1 1/4" STEEL FLITCH PLATE - FB	W12x14 - F
008A	(3)1 1/2"x14" - F	3 1/2"x14" - F	(3)1 1/4"x14" - F	(3)2x12 + (2) 1/2"x1 1/4" STEEL FLITCH PLATES - FB	W12x14 - F
009	(3)1 1/2"x16" - D	3 1/2"x16" - D	N/A	(3)2x12 + (2) 1/2"x1 1/4" STEEL FLITCH PLATES - D	W12x14 - D
010	(2)1 1/2"x14" - D	3 1/2"x14" - D	(2)1 1/4"x14" - D	(2)2x10 + (1) 1/2"x1 1/4" STEEL FLITCH PLATE - D	W10x10 - D
011	(2)1 1/2"x14" - F	3 1/2"x14" - F	(2)1 1/4"x14" - F	(2)2x12 + (1) 1/2"x1 1/4" STEEL FLITCH PLATE - FB	W12x14 - F

- BEAM NOTATION:**
  - "F" INDICATES FLUSH BEAM
  - "FT" INDICATES FLUSH TOP BEAM
  - "FB" INDICATES FLUSH BOTTOM BEAM
  - "D" INDICATES DROPPED BEAM
  - "H" INDICATES DROPPED OPENING HEADER
- REFER TO DETAIL D/SD2.0 FOR TYPICAL FLITCH BEAM CONNECTIONS
- REFER TO DETAIL E/SD2.0 FOR TYPICAL STEEL BEAM CONNECTIONS
- FOR FLUSH TOP BEAMS PROVIDE 2X STACKED PLATES BENEATH BEAM AS REQ'D. FASTEN PLATES IN SUCCESSION W/ (2) 3"x0.120" NAILS @ 8" O.C.
- FOR FLUSH BOTTOM BEAMS PROVIDE 2X STACKED PLATES ATOP BEAM AS REQ'D. FASTEN PLATES IN SUCCESSION W/ (2) 3"x0.120" NAILS @ 8" O.C.

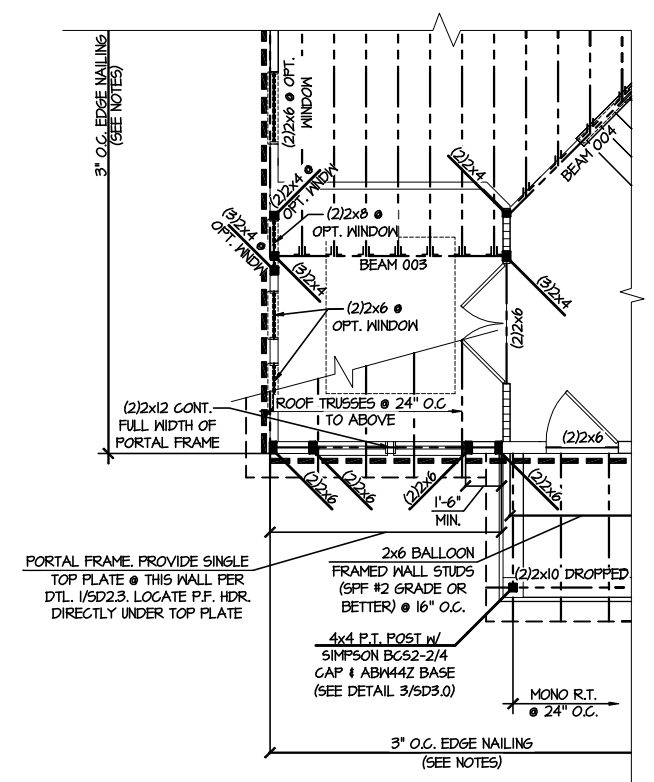
**LEGEND**

- ◻ INTERIOR BEARING WALL
- ◻ BEARING WALL ABOVE
- BEAM / HEADER
- INDICATES SHEAR WALL & EXTENT
- ◻ EXTENT OF OVERFRAMING
- JL METAL HANGER
- INDICATES POST ABOVE. PROVIDE SOLID BLOCKING UNDER POST OR JAMB ABOVE.
- ▶ INDICATES HOLD-DOWN OR STRAP. REFER TO SCHEDULE.

REFER TO SO.O FOR TYPICAL STRUCTURAL NOTES & SCHEDULES

SD2.0 & SD2.1 REFERS TO SD2.0J & SD2.1J FOR I-JOIST FLOOR FRAMING OR SD2.0T & SD2.1T FOR TRUSS FLOOR FRAMING

SD2.1J/SD2.1T REFERS TO SD2.1JA/SD2.1TA FOR LVL/PSL/LSL BEAMS OR SD2.1JB/SD2.1TB FOR FLITCH BEAMS OR SD2.1JC/SD2.1TC FOR STEEL BEAMS



**4 PARTIAL 2ND FLOOR FRAMING PLAN**  
**OPTIONAL STUDY - I-JOISTS**  
SCALE: 1/8"=1'-0"  
OPT. TRIPLE WINDOW @ FLEX SIM.  
ELEV #1 SHOWN - ALL ELEV. SIMILAR

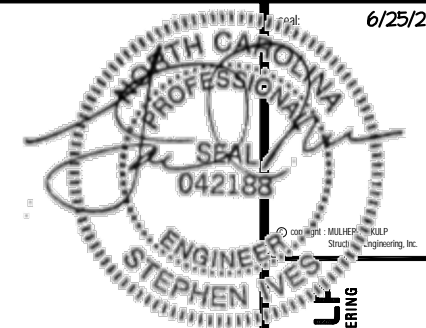
M&K project number:  
126-21011  
project mgr: JTR  
drawn by: MDH  
issue date: 06-25-21

REVISIONS:  
date: initial:



Option Framing Plans  
CAMERON MODEL  
RALEIGH, NC

sheet: Right Hand  
**S5.1J**



REFER TO 50.0 FOR TYPICAL STRUCTURAL NOTES & SCHEDULES

SD2.0 & SD2.1 REFERS TO SD2.0J & SD2.1J FOR I-JOIST FLOOR FRAMING OR SD2.0T & SD2.1T FOR TRUSS FLOOR FRAMING

SD2.1J/SD2.1T REFERS TO SD2.1JA/SD2.1TA FOR LVL/PSL/LSL BEAMS OR SD2.1JB/SD2.1TB FOR FLITCH BEAMS OR SD2.1JC/SD2.1TC FOR STEEL BEAMS

**LEGEND**

- ▬ INTERIOR BEARING WALL
- ▬ BEARING WALL ABOVE
- ▬ BEAM / HEADER
- ▬ INDICATES SHEAR WALL & EXTENT
- ▬ EXTENT OF OVERFRAMING
- J.L. METAL HANGER
- \* INDICATES POST ABOVE, PROVIDE SOLID BLOCKING UNDER POST OR JAMB ABOVE.
- ▶ INDICATES HOLD-DOWN OR STRAP. REFER TO SCHEDULE.

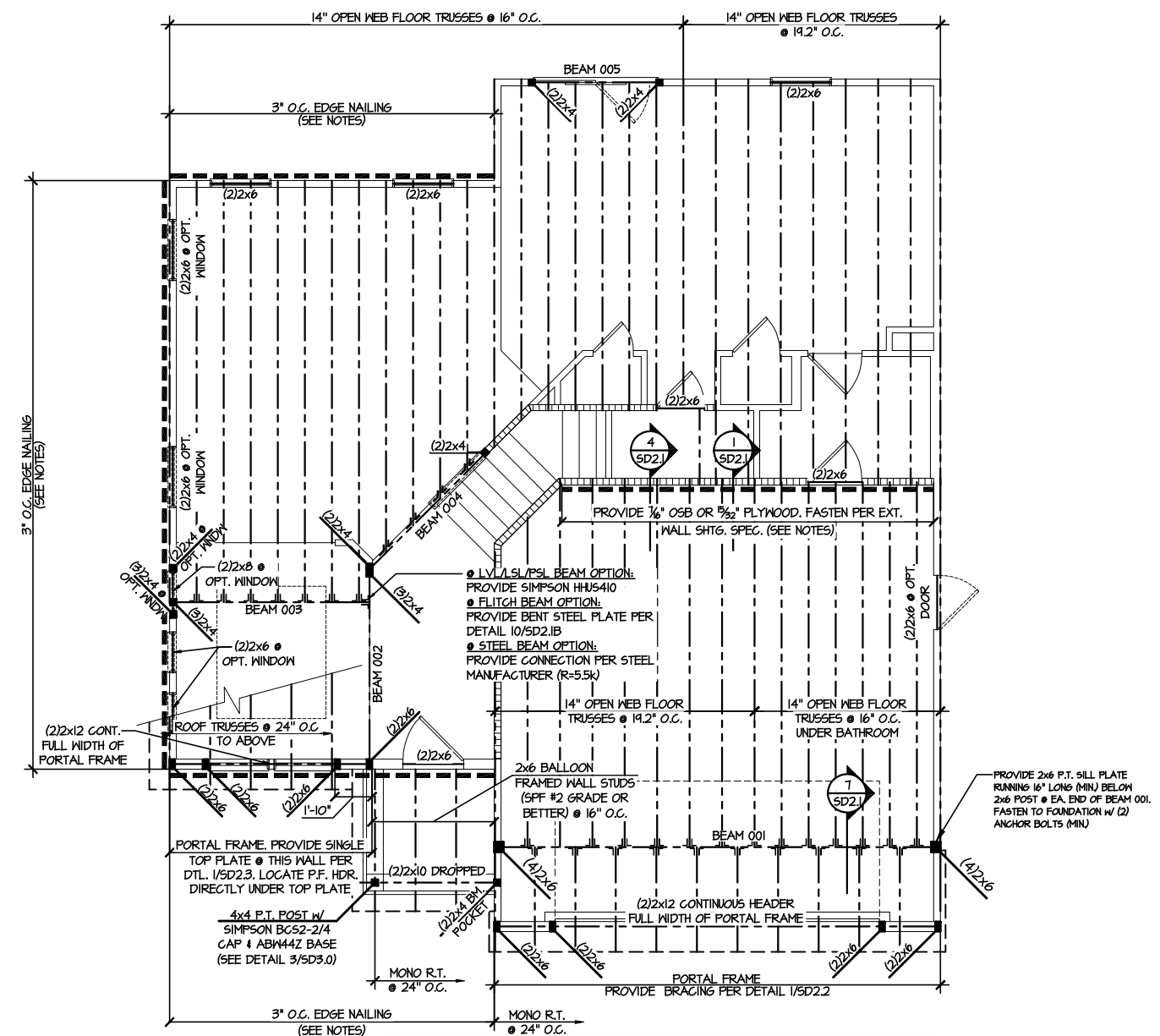
**ENGINEERED BEAM MATERIAL SCHEDULE**

BEAM NUMBER	LVL OPTION	PSL OPTION	LSL OPTION	FLITCH OPTION	STEEL OPTION
001	(4) 3/4" x 10" - FT	7" x 8" - FT	N/A	(4) 2x12 + (8) 3/4" x 10" STEEL FLITCH PLATES - FB	M2x80 - F
001A	(4) 3/4" x 10" - D	7" x 8" - D	N/A	(4) 2x12 + (8) 3/4" x 10" STEEL FLITCH PLATES - D	M2x80 - D
002	(2) 3/4" x 14" - F	3 1/2" x 14" - F	(2) 3/4" x 14" - F	(2) 2x12 + (1) 3/4" x 10" STEEL FLITCH PLATE - FB	M2x14 - F
003	(2) 3/4" x 14" - F	3 1/2" x 14" - F	(2) 3/4" x 14" - F	(2) 2x12 + (1) 3/4" x 10" STEEL FLITCH PLATE - FB	M2x14 - F
004	(1) 3/4" x 14" - F	1 3/4" x 14" - F	(1) 3/4" x 14" - F	(2) 2x12 + (1) 3/4" x 10" STEEL FLITCH PLATE - FB	M2x14 - F
005	(2) 3/4" x 9" - H	3 1/2" x 9" - H	(2) 3/4" x 9" - H	(2) 2x10 + (1) 3/4" x 9" STEEL FLITCH PLATE - H	M8x10 - H
006	(2) 3/4" x 14" - H	3 1/2" x 14" - H	(3) 3/4" x 14" - H	(2) 2x12 + (1) 3/4" x 10" STEEL FLITCH PLATE - H	N/A
007	(2) 3/4" x 14" - F	3 1/2" x 14" - F	(2) 3/4" x 14" - F	(2) 2x12 + (1) 3/4" x 10" STEEL FLITCH PLATES - FB	M2x14 - F
007A	(3) 3/4" x 14" - F	5 1/4" x 14" - F	(3) 3/4" x 14" - F	(3) 2x12 + (2) 3/4" x 10" STEEL FLITCH PLATES - FB	M2x14 - F
008	(2) 3/4" x 14" - F	3 1/2" x 14" - F	(3) 3/4" x 14" - F	(2) 2x12 + (1) 3/4" x 10" STEEL FLITCH PLATES - FB	M2x14 - F
008A	(3) 3/4" x 14" - F	5 1/4" x 14" - F	(3) 3/4" x 14" - F	(3) 2x12 + (2) 3/4" x 10" STEEL FLITCH PLATES - FB	M2x14 - F
004	(3) 3/4" x 16" - D	5 1/4" x 16" - D	N/A	(3) 2x12 + (2) 3/4" x 10" STEEL FLITCH PLATES - D	M2x14 - D
010	(2) 3/4" x 9" - D	3 1/2" x 9" - D	(2) 3/4" x 9" - D	(2) 2x10 + (1) 3/4" x 9" STEEL FLITCH PLATE - D	M8x10 - D
011	(2) 3/4" x 14" - F	3 1/2" x 14" - F	(2) 3/4" x 14" - F	(2) 2x12 + (1) 3/4" x 10" STEEL FLITCH PLATE - FB	M2x14 - F

**BEAM NOTATION:**

- "F" INDICATES FLUSH BEAM
- "FT" INDICATES FLUSH TOP BEAM
- "FB" INDICATES FLUSH BOTTOM BEAM
- "D" INDICATES DROPPED BEAM
- "H" INDICATES DROPPED OPENING HEADER

REFER TO DETAIL D/SD2.0 FOR TYPICAL FLITCH BEAM CONNECTIONS  
 REFER TO DETAIL E/SD2.0 FOR TYPICAL STEEL BEAM CONNECTIONS  
 FOR FLUSH TOP BEAMS PROVIDE 2X STACKED PLATES BENEATH BEAM AS REQ'D. FASTEN PLATES IN SUCCESSION W/ (2) 3"x0.120" NAILS @ 8" O.C.  
 FOR FLUSH BOTTOM BEAMS PROVIDE 2X STACKED PLATES ATOP BEAM AS REQ'D. FASTEN PLATES IN SUCCESSION W/ (2) 3"x0.120" NAILS @ 8" O.C.



**2ND FLOOR FRAMING PLAN - TRUSSES**  
 SCALE: 1/8"=1'-0"  
 ELEVATION #1

**MULHERN+KULF**  
 RESIDENTIAL STRUCTURAL ENGINEERING  
 300 Brookside Ave. Building 4 • Amber, PA 18002  
 P 215-946-8001 • mulhern+kulf.com  
 NC LIC. #C-3825

M&K project number:  
 126-21011

project mgr:  
 JTR

drawn by:  
 MDH

issue date:  
 06-25-21

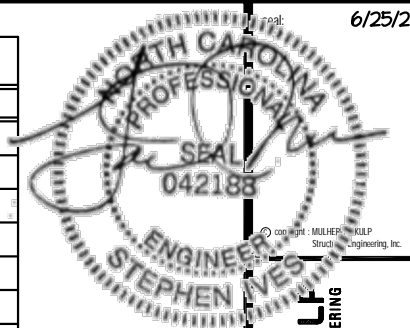
REVISIONS:

date: initial:



Floor Framing Plans  
 CAMERON MODEL  
 RALEIGH, NC





**MULHERN+KULF**  
RESIDENTIAL STRUCTURAL ENGINEERING  
300 Brookside Ave. Building 4 • Amber, PA 19002  
P 215-946-8001 • mulhern+kulp.com  
NC LIC. #C-3825

M&K project number:  
126-21011  
project mgr: JTR  
drawn by: MDH  
issue date: 06-25-21

REVISIONS:  
date: initial:



Option Framing Plans  
CAMERON MODEL  
RALEIGH, NC

sheet: Right Hand  
**S5.1T**

ENGINEERED BEAM MATERIAL SCHEDULE					
BEAM NUMBER	LVL OPTION	PSL OPTION	LSL OPTION	FLITCH OPTION	STEEL OPTION
001	(4)1/2"x10" - FT	7"x18" - FT	N/A	(4)2x12 + (3) 3/4"x1/4" STEEL FLITCH PLATES - FB	W12x30 - F
001A	(4)1/2"x10" - D	7"x18" - D	N/A	(4)2x12 + (3) 3/4"x1/4" STEEL FLITCH PLATES - D	W12x30 - D
002	(2)1/2"x14" - F	3 1/2"x14" - F	(2)1/2"x14" - F	(2)2x12 + (1) 1/2"x1/4" STEEL FLITCH PLATE - FB	W12x14 - F
003	(2)1/2"x14" - F	3 1/2"x14" - F	(2)1/2"x14" - F	(2)2x12 + (1) 1/2"x1/4" STEEL FLITCH PLATE - FB	W12x14 - F
004	(1)1/2"x14" - F	1 1/2"x14" - F	(1)1/2"x14" - F	(2)2x12 + (1) 1/2"x1/4" STEEL FLITCH PLATE - FB	W12x14 - F
005	(2)1/2"x14" - H	3 1/2"x14" - H	(2)1/2"x14" - H	(2)2x10 + (1) 1/2"x1/4" STEEL FLITCH PLATE - H	W10x10 - H
006	(2)1/2"x14" - H	3 1/2"x14" - H	(3)1/2"x14" - H	(2)2x12 + (1) 1/2"x1/4" STEEL FLITCH PLATE - H	N/A
007	(2)1/2"x14" - F	3 1/2"x14" - F	(2)1/2"x14" - F	(2)2x12 + (1) 1/2"x1/4" STEEL FLITCH PLATE - FB	W12x14 - F
007A	(3)1/2"x14" - F	3 1/2"x14" - F	(3)1/2"x14" - F	(3)2x12 + (2) 1/2"x1/4" STEEL FLITCH PLATES - FB	W12x14 - F
008	(2)1/2"x14" - F	3 1/2"x14" - F	(3)1/2"x14" - F	(2)2x12 + (1) 1/2"x1/4" STEEL FLITCH PLATE - FB	W12x14 - F
008A	(3)1/2"x14" - F	3 1/2"x14" - F	(3)1/2"x14" - F	(3)2x12 + (2) 1/2"x1/4" STEEL FLITCH PLATES - FB	W12x14 - F
009	(3)1/2"x16" - D	3 1/2"x16" - D	N/A	(3)2x12 + (2) 1/2"x1/4" STEEL FLITCH PLATES - D	W12x14 - D
010	(2)1/2"x14" - D	3 1/2"x14" - D	(2)1/2"x14" - D	(2)2x10 + (1) 1/2"x1/4" STEEL FLITCH PLATE - D	W10x10 - D
011	(2)1/2"x14" - F	3 1/2"x14" - F	(2)1/2"x14" - F	(2)2x12 + (1) 1/2"x1/4" STEEL FLITCH PLATE - FB	W12x14 - F

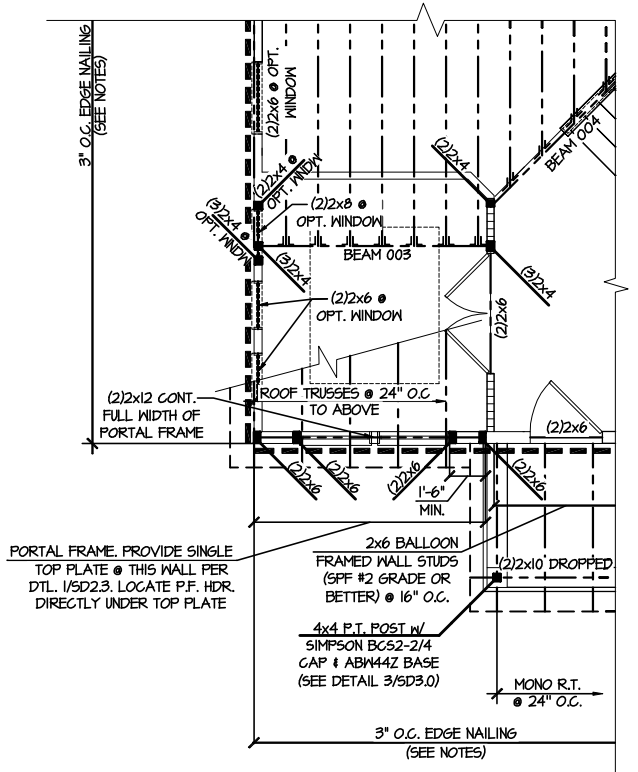
- BEAM NOTATION:  
- "F" INDICATES FLUSH BEAM  
- "FT" INDICATES FLUSH TOP BEAM  
- "FB" INDICATES FLUSH BOTTOM BEAM  
- "D" INDICATES DROPPED BEAM  
- "H" INDICATES DROPPED OPENING HEADER
- REFER TO DETAIL D/SD2.0 FOR TYPICAL FLITCH BEAM CONNECTIONS
- REFER TO DETAIL E/SD2.0 FOR TYPICAL STEEL BEAM CONNECTIONS
- FOR FLUSH TOP BEAMS PROVIDE 2X STACKED PLATES BENEATH BEAM AS REQ'D. FASTEN PLATES IN SUCCESSION W/ (2) 3"x0.120" NAILS @ 8" O.C.
- FOR FLUSH BOTTOM BEAMS PROVIDE 2X STACKED PLATES ATOP BEAM AS REQ'D. FASTEN PLATES IN SUCCESSION W/ (2) 3"x0.120" NAILS @ 8" O.C.

- LEGEND**
- [Symbol] INTERIOR BEARING WALL
  - [Symbol] BEARING WALL ABOVE
  - [Symbol] BEAM / HEADER
  - [Symbol] INDICATES SHEAR WALL & EXTENT
  - [Symbol] EXTENT OF OVERFRAMING
  - JL METAL HANGER
  - [Symbol] INDICATES POST ABOVE. PROVIDE SOLID BLOCKING UNDER POST OR JAMB ABOVE.
  - ▶ [Symbol] INDICATES HOLD-DOWN OR STRAP. REFER TO SCHEDULE.

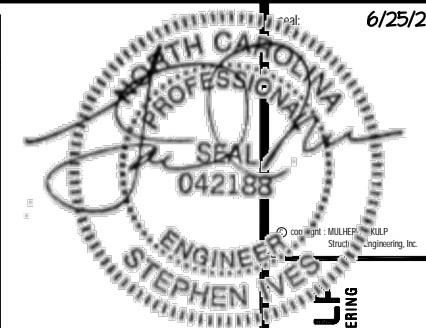
REFER TO SO.O FOR TYPICAL STRUCTURAL NOTES & SCHEDULES

SD2.0 & SD2.1 REFERS TO SD2.0J & SD2.1J FOR I-JOIST FLOOR FRAMING OR SD2.0T & SD2.1T FOR TRUSS FLOOR FRAMING

SD2.1J/SD2.1T REFERS TO SD2.1JA/SD2.1TA FOR LVL/PSL/LSL BEAMS OR SD2.1JB/SD2.1TB FOR FLITCH BEAMS OR SD2.1JC/SD2.1TC FOR STEEL BEAMS



**4 PARTIAL 2ND FLOOR FRAMING PLAN**  
**OPTIONAL STUDY - TRUSSES**  
SCALE: 1/8"=1'-0"  
OPT. TRIPLE WINDOW @ FLEX SIM.  
ELEV #1 SHOWN - ALL ELEV. SIMILAR

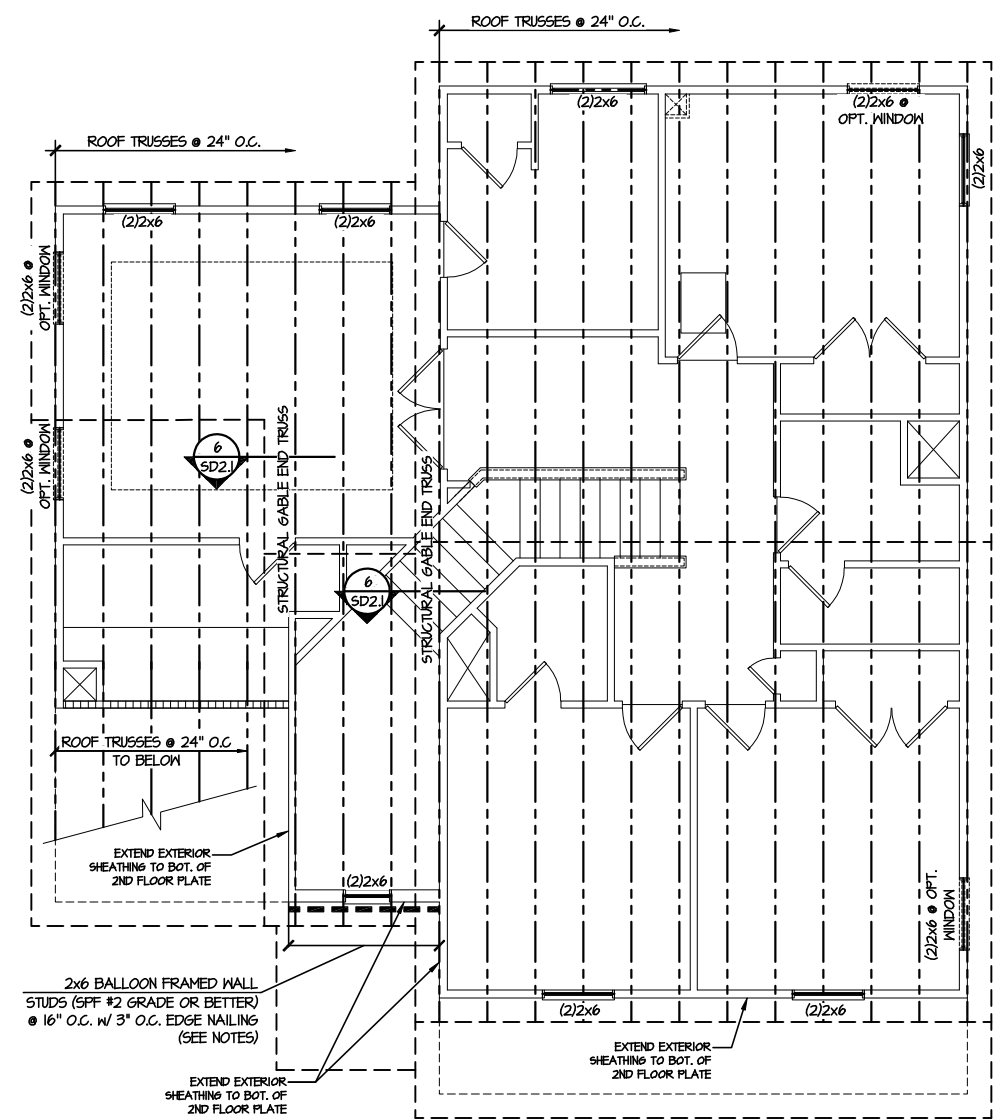


**MULHERN+KULF**  
 RESIDENTIAL STRUCTURAL ENGINEERING  
 300 Brookside Ave. Building 4 • Amber, PA 18002  
 P 215-946-8001 • mulhern+kulp.com  
 NC LIC. #C-3825

REFER TO SO.O FOR  
 TYPICAL STRUCTURAL NOTES  
 & SCHEDULES

SD2.1J/SD2.IT REFERS TO  
 SD2.1JA/SD2.ITA FOR LVL/PSL/LSL  
 BEAMS OR SD2.1JB/SD2.ITB FOR  
 FLITCH BEAMS OR  
 SD2.1JC/SD2.ITC FOR STEEL  
 BEAMS

LEGEND	
• [Symbol]	INTERIOR BEARING WALL
• [Symbol]	BEARING WALL ABOVE
• [Symbol]	BEAM / HEADER
• [Symbol]	INDICATES SHEAR WALL & EXTENT
• [Symbol]	EXTENT OF OVERFRAMING
JL	METAL HANGER
*	INDICATES POST ABOVE. PROVIDE SOLID BLOCKING UNDER POST OR JAMB ABOVE.
▶	INDICATES HOLD-DOWN OR STRAP. REFER TO SCHEDULE.



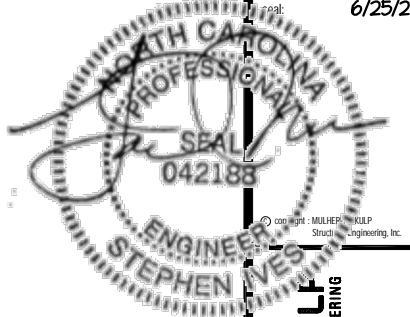
**1 ROOF FRAMING PLAN**  
 SCALE: 1/8"=1'-0" ELEVATION #1

M&K project number:	126-21011
project mgr:	JTR
drawn by:	MDH
issue date:	06-25-21
REVISIONS:	
date:	initial:



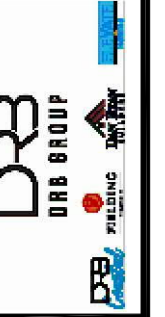
Roof Framing Plans  
 CAMERON MODEL  
 RALEIGH, NC

sheet: Right Hand  
**S4.0**



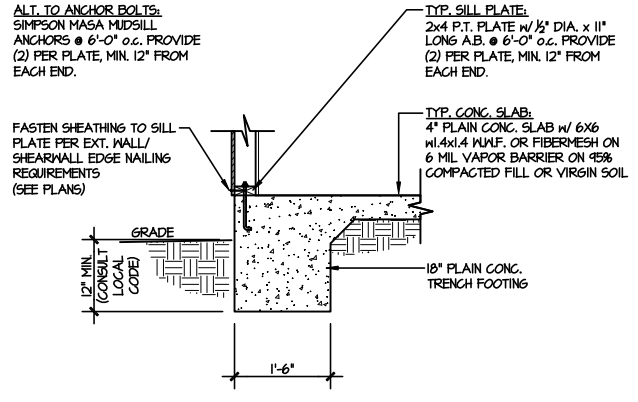
**MULHERN+KULP**  
RESIDENTIAL STRUCTURAL ENGINEERING  
300 Brookside Ave. Building 4 • Amber, PA 19002  
P 215-946-8001 • mulhern+kulp.com  
NC LIC. #C-3825

M&K project number:  
126-21011  
project mgr: JTR  
drawn by: MDH  
issue date: 06-25-21  
REVISIONS:  
date: initial:

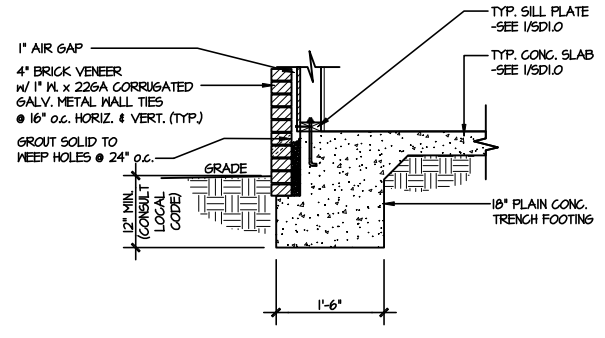


Foundation Details  
CAMERON MODEL  
RALEIGH, NC

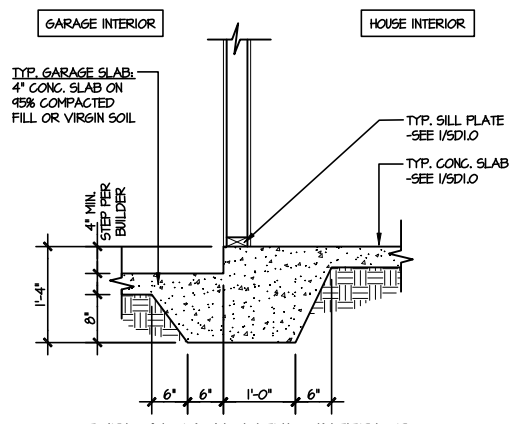
sheet:  
**SD1.0**



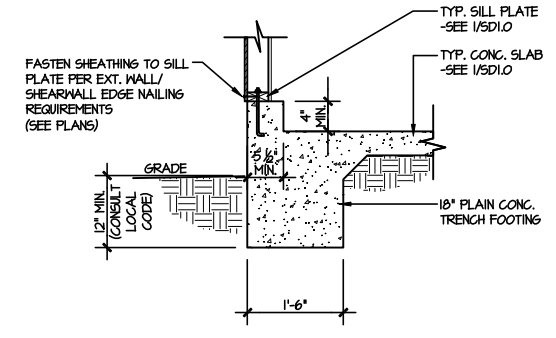
**1** TYPICAL SLAB ON GRADE PERIMETER FOOTING  
SCALE: 3/8"=1'-0"



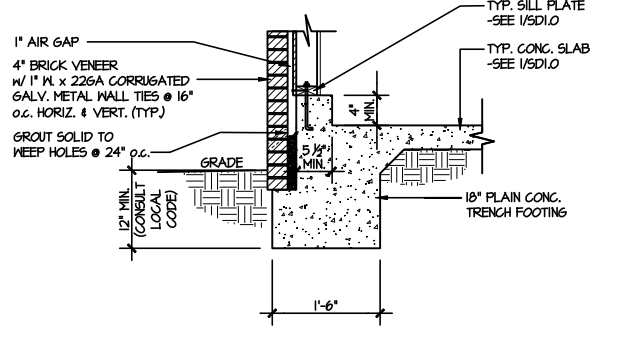
**2** TYPICAL SLAB ON GRADE PERIMETER FOOTING  
SCALE: 3/8"=1'-0" w/ BRICK VENEER



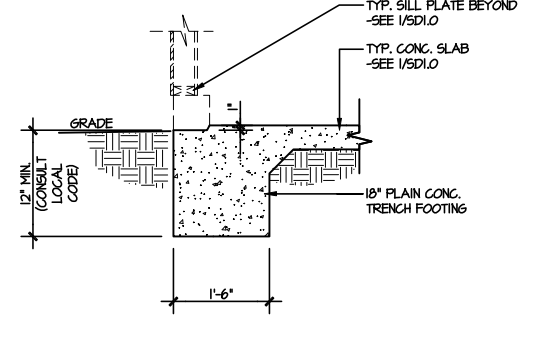
**3** TYPICAL MONOLITHIC INTERIOR GARAGE FOOTING  
SCALE: 3/8"=1'-0"



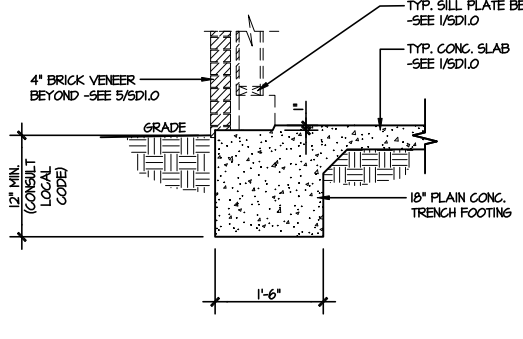
**4** TYPICAL SLAB ON GRADE GARAGE PERIMETER FOOTING  
SCALE: 3/8"=1'-0"



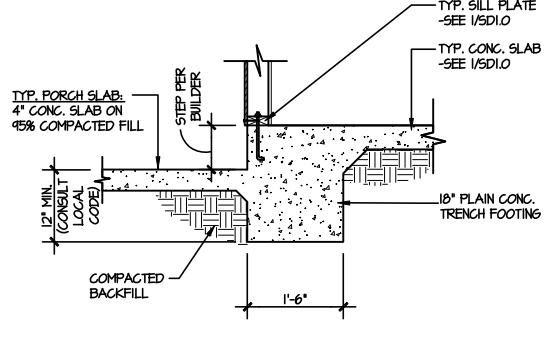
**5** TYPICAL SLAB ON GRADE GARAGE PERIMETER FOOTING  
SCALE: 3/8"=1'-0" w/ BRICK VENEER



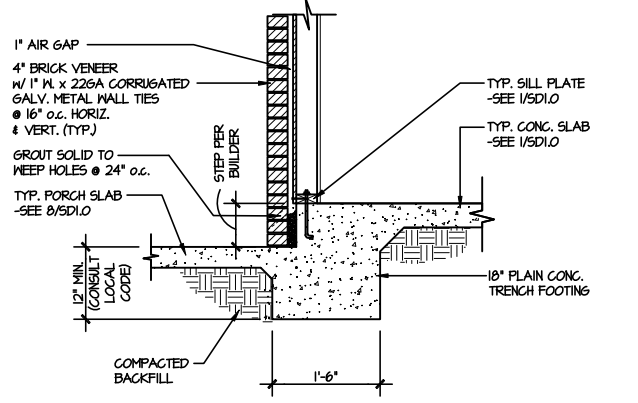
**6** TYPICAL SLAB ON GRADE GARAGE ENTRY @ PERIMETER FOOTING  
SCALE: 3/8"=1'-0"



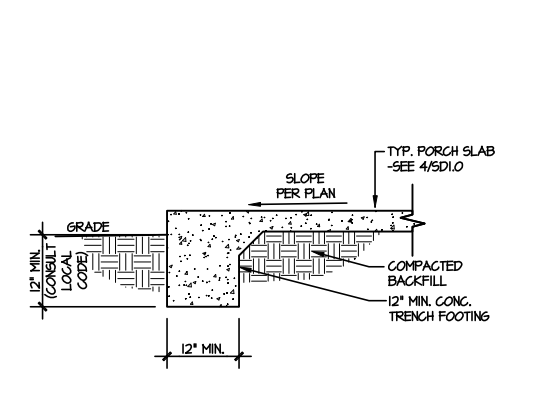
**7** TYPICAL SLAB ON GRADE GARAGE ENTRY @ PERIMETER FOOTING  
SCALE: 3/8"=1'-0" w/ BRICK VENEER



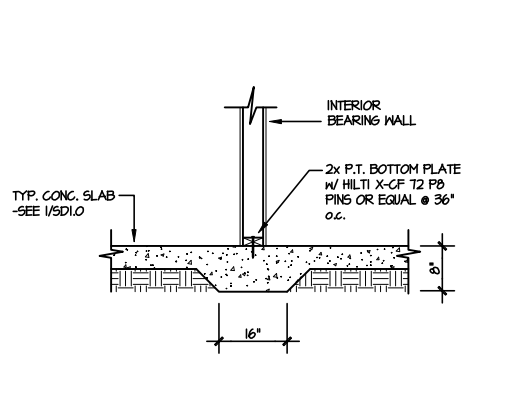
**8** TYPICAL SLAB ON GRADE PERIMETER FOOTING @ PORCH/PATIO  
SCALE: 3/8"=1'-0"



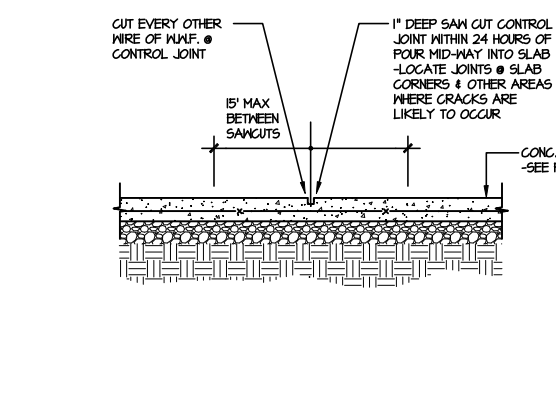
**9** TYPICAL SLAB ON GRADE PERIMETER FOOTING @ PORCH/PATIO  
SCALE: 3/8"=1'-0" w/ BRICK VENEER



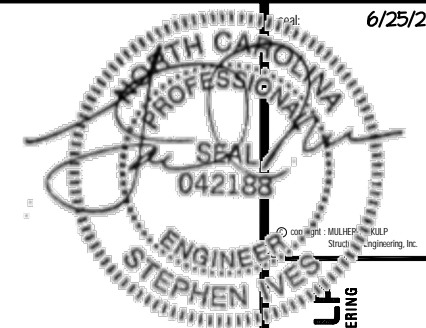
**10** TYPICAL FOOTING @ PORCH SLAB  
SCALE: 3/8"=1'-0"



**11** TYPICAL THICKENED SLAB @ INTERIOR BEARING WALL  
SCALE: 3/8"=1'-0"



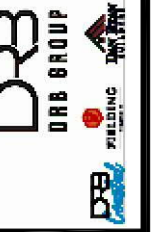
**A** TYPICAL CONTROL JOINT  
SCALE: 3/8"=1'-0" LOCATE @ 15'-0" o.c. MAX. OR CORNERS WHERE CRACKS LIKELY TO DEVELOP



**MULHERN+KULF**  
RESIDENTIAL STRUCTURAL ENGINEERING  
300 Brookside Ave. Building 4 • Amber, PA 18002  
P 215-946-8001 • mulhern+kulf.com  
NC LIC. #C-3825

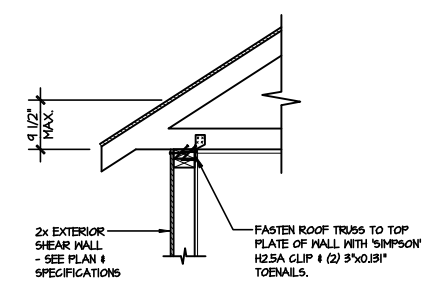


M&K project number:  
126-21011  
project mgr: JTR  
drawn by: MDH  
issue date: 06-25-21  
REVISIONS:  
date: initial:

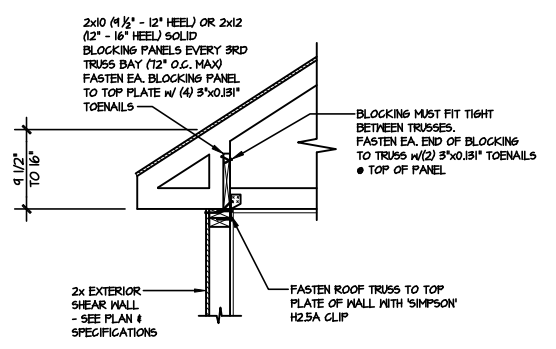


Framing Details  
CAMERON MODEL  
RALEIGH, NC

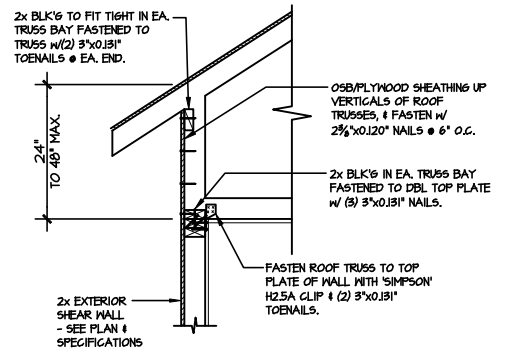
sheet:  
**SD2.0J**



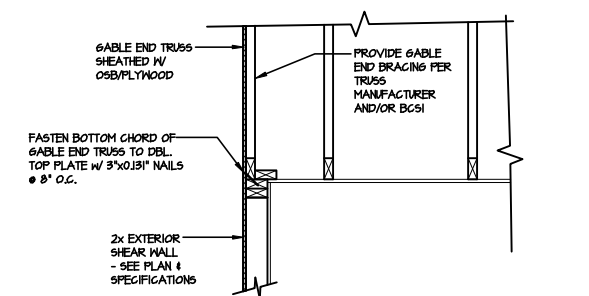
**(A1) TYPICAL SHEAR TRANSFER DETAIL @ ROOF**  
SCALE: 3/8"=1'-0"  
HEEL HEIGHT LESS THAN 9 1/2" NO BLOCKING REQ'D



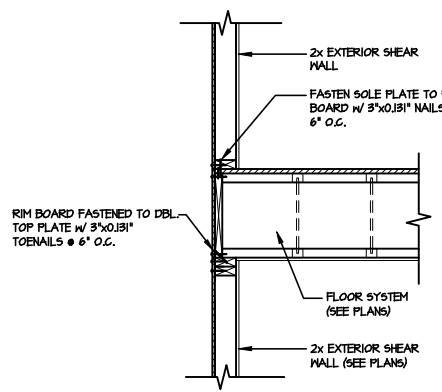
**(A2) TYPICAL SHEAR TRANSFER DETAIL @ ROOF**  
SCALE: 3/8"=1'-0"  
HEEL HEIGHT BETWEEN 9 1/2" - 16" BLOCKING REQ'D



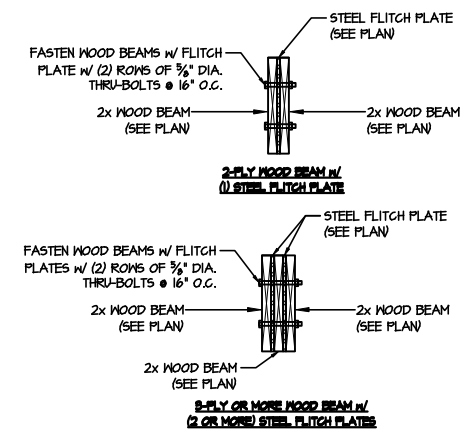
**(A3) TYPICAL SHEAR TRANSFER DETAIL @ RAISED HEEL TRUSS**  
SCALE: 3/8"=1'-0"  
HEEL HEIGHT UP TO 48" MAX.



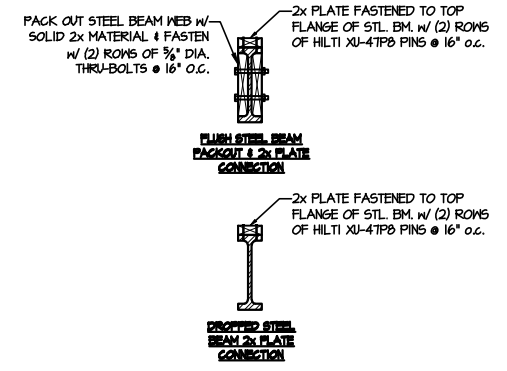
**(B) TYPICAL GABLE END DETAIL**  
SCALE: 3/8"=1'-0"



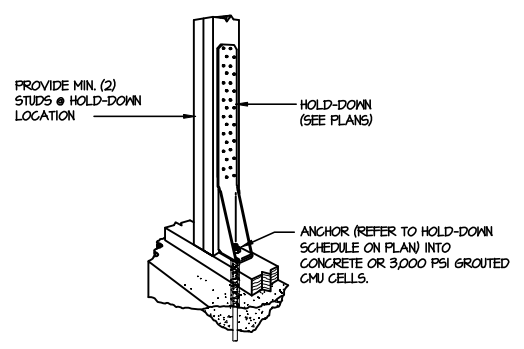
**(C) TYPICAL SHEAR TRANSFER DETAIL BETWEEN FLOORS @ EXTERIOR WALL**  
SCALE: 3/8"=1'-0"



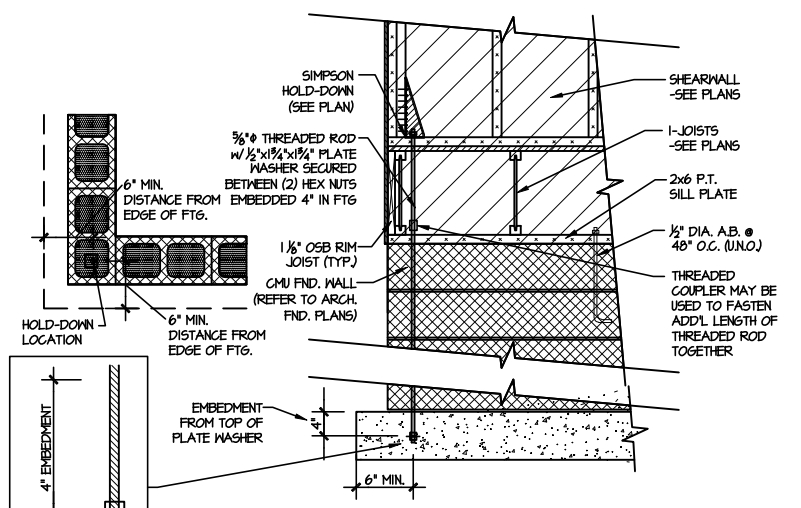
**(D) TYPICAL FLITCH BEAM CONNECTION DETAIL**  
SCALE: 3/4"=1'-0"



**(E) TYPICAL STEEL BEAM CONNECTION DETAIL**  
SCALE: 3/4"=1'-0"



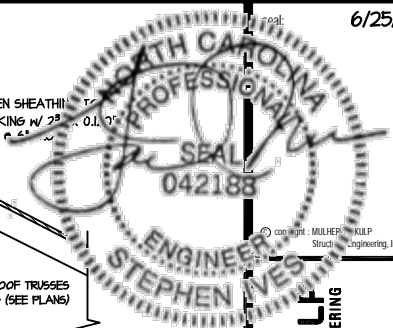
**(F1) TYPICAL HOLD DOWN INSTALLATION**  
SCALE: N.T.S.



**(F2) TYPICAL CMU FOUNDATION HOLD-DOWN INSTALLATION**  
SCALE: N.T.S. (CORNER SHOWN - APPLICABLE TO ALL CONDITIONS)

LETTERED DETAILS ARE TYPICAL FOR THIS HOME & SHALL BE IMPLEMENTED IN ALL APPLICABLE AREAS. THESE DETAILS ARE NOT "CUT" ON THE PLANS.

NUMBERED DETAILS ARE PLAN SPECIFIC AND ARE ONLY REQUIRED WHERE SPECIFICALLY INDICATED ("CUT") ON THE PLANS.



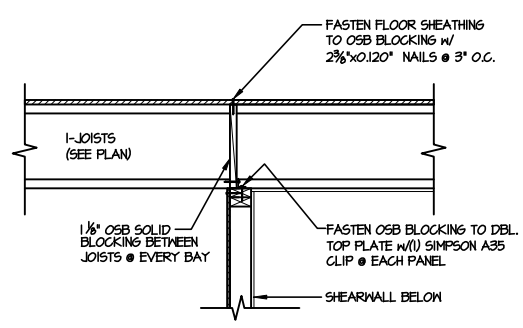
**MULHERN+KULF**  
RESIDENTIAL STRUCTURAL ENGINEERING  
300 Brookside Ave., Building 4 • Amber, PA 18002  
P 215-946-8001 • mulhern+kulf.com  
NC LIC. #C-3825

M&K project number:  
126-21011  
project mgr: JTR  
drawn by: MDH  
issue date: 06-25-21  
REVISIONS:  
date: initial

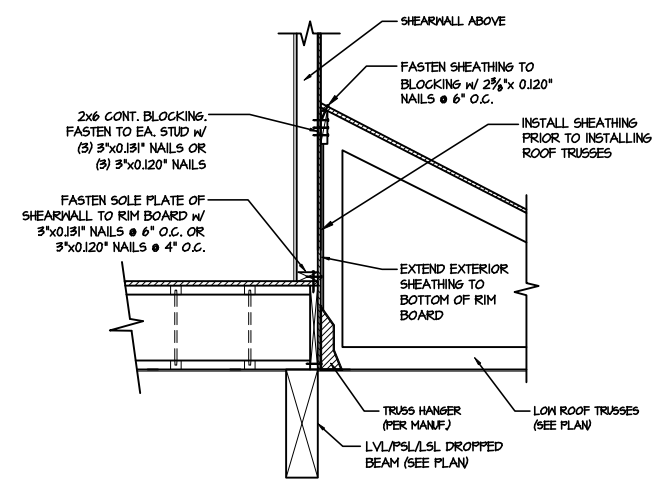


Framing Details  
CAMERON MODEL  
RALEIGH, NC

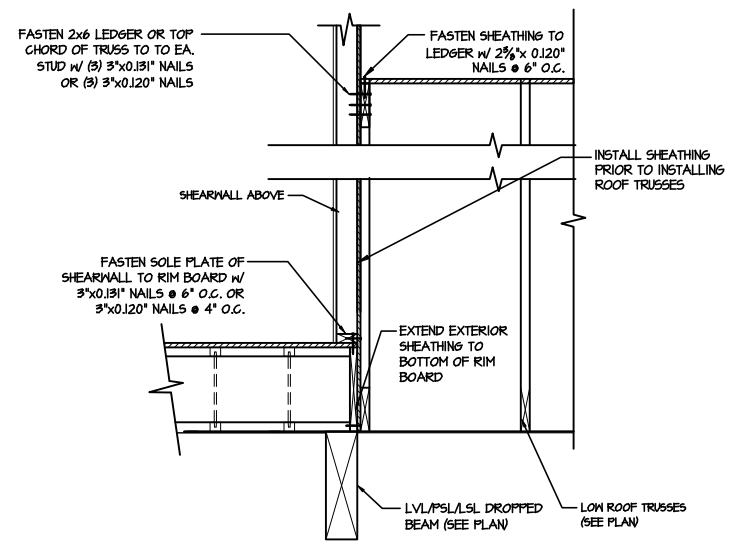
sheet:  
**SD2.1AJ**



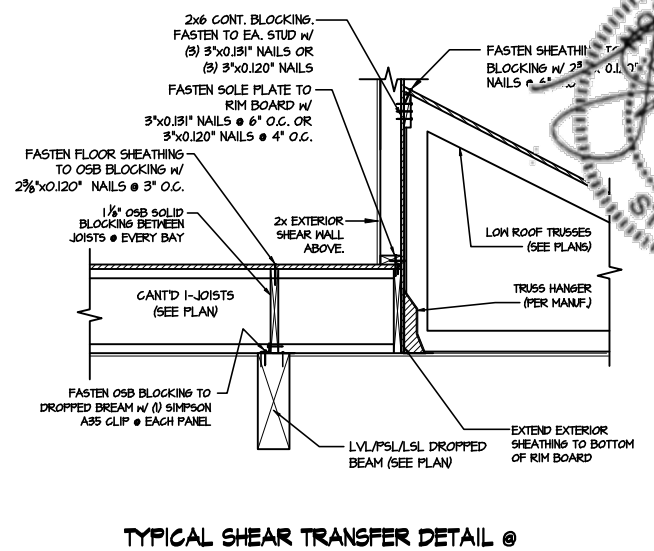
**1** SHEAR TRANSFER DETAIL @  
INTERIOR SHEARWALL BELOW  
SCALE: 3/4"=1'-0"  
PERPENDICULAR FRAMING



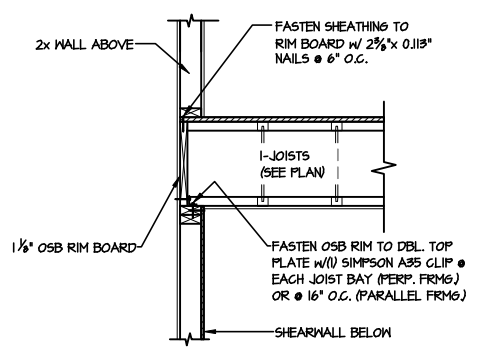
**2** SHEAR TRANSFER DETAIL @  
EXTERIOR SHEARWALL ABOVE  
SCALE: 3/8"=1'-0"



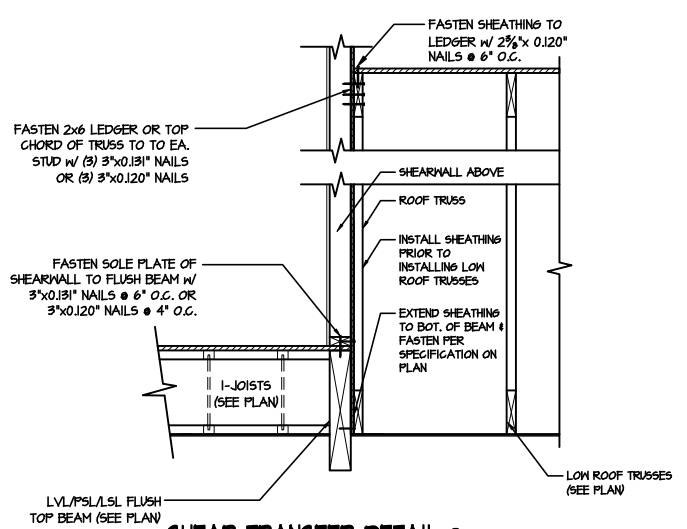
**2A** SHEAR TRANSFER DETAIL @  
EXTERIOR SHEARWALL ABOVE  
SCALE: 3/8"=1'-0"



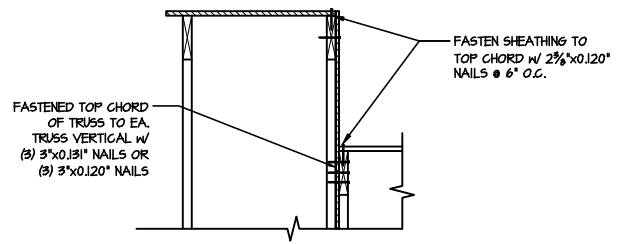
**3** TYPICAL SHEAR TRANSFER DETAIL @  
EXTERIOR WALL ABOVE OVER GARAGE  
SCALE: 3/8"=1'-0"



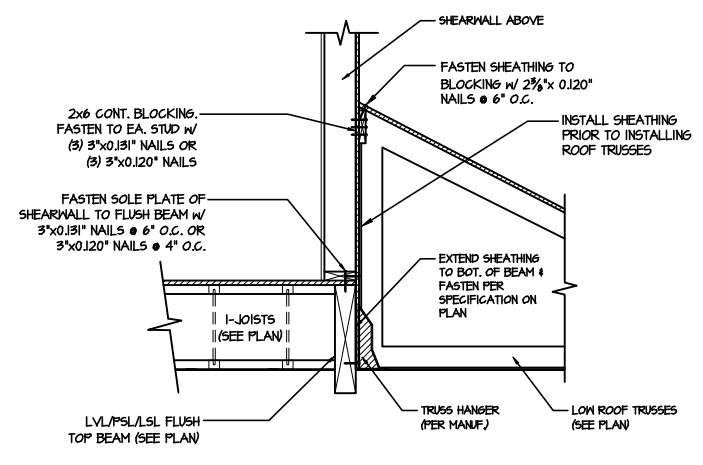
**4** SHEAR TRANSFER DETAIL @ INT.  
SHEARWALL BELOW  
SCALE: 3/4"=1'-0"  
EDGE OF FRAMING



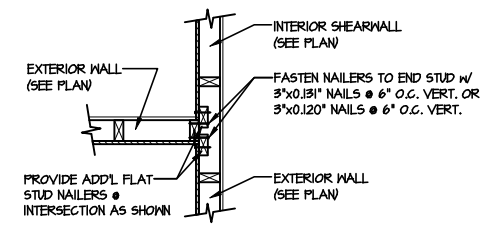
**5** SHEAR TRANSFER DETAIL @  
EXTERIOR SHEARWALL ABOVE  
SCALE: 3/8"=1'-0"



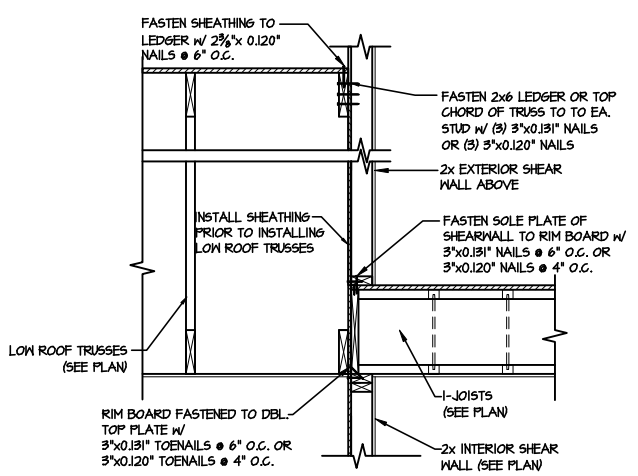
**6** SHEAR TRANSFER DETAIL @  
EXTERIOR SHEARWALL ABOVE  
SCALE: 3/8"=1'-0"



**7** SHEAR TRANSFER DETAIL @  
EXTERIOR SHEARWALL ABOVE  
SCALE: 3/8"=1'-0"

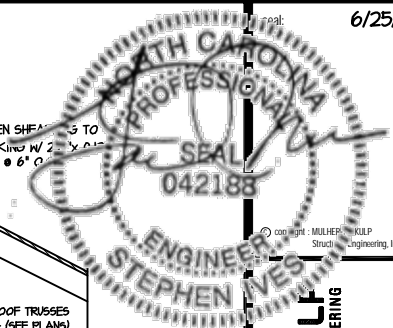


**8** SHEAR TRANSFER DETAIL @  
INTERSECTING INT. SHEARWALL  
SCALE: 3/4"=1'-0"  
SITE ON SAME PAGE



**9** TYPICAL SHEAR TRANSFER DETAIL  
BETWEEN FLOORS @ INTERIOR WALL  
SCALE: 3/4"=1'-0"

LETTERED DETAILS ARE TYPICAL FOR THIS HOME & SHALL BE IMPLEMENTED IN ALL APPLICABLE AREAS. THESE DETAILS ARE NOT "CUT" ON THE PLANS.  
NUMBERED DETAILS ARE PLAN SPECIFIC AND ARE ONLY REQUIRED WHERE SPECIFICALLY INDICATED ("CUT") ON THE PLANS.



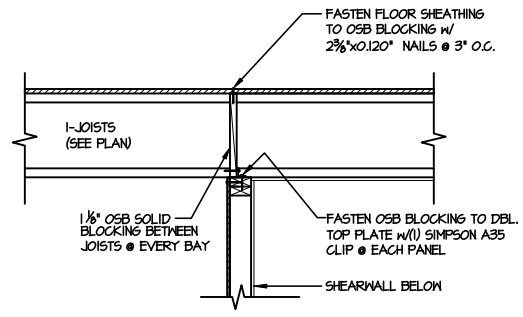
**MULHERN+KULF**  
RESIDENTIAL STRUCTURAL ENGINEERING  
300 Brookside Ave. Building 4 - Arden, PA 18002  
P 215-646-8001 • mulhern+kulf.com  
NC LIC. #C-3825

M&K project number:  
126-21011  
project mgr: JTR  
drawn by: MDH  
issue date: 06-25-21  
REVISIONS:  
date: initial

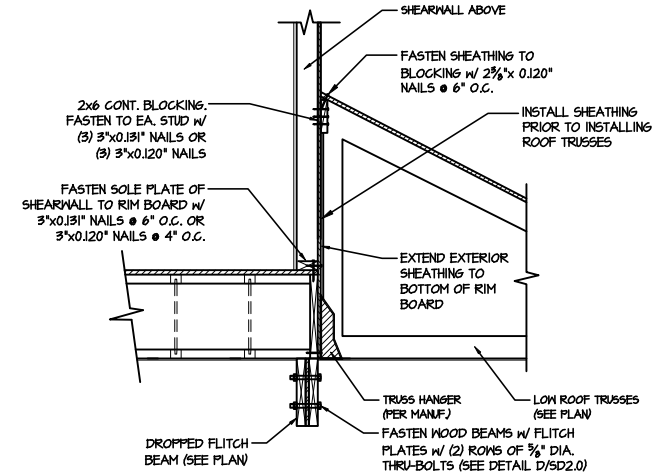


Framing Details  
CAMERON MODEL  
RALEIGH, NC

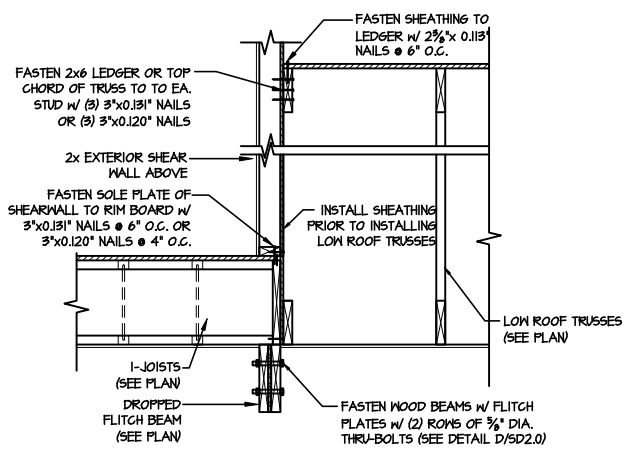
sheet:  
**SD2.1BJ**



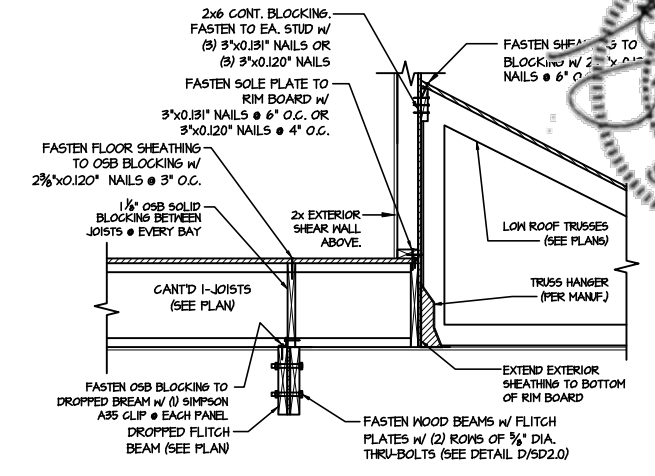
**1** SHEAR TRANSFER DETAIL @ INTERIOR SHEARWALL BELOW  
SCALE: 3/4"=1'-0"  
PERPENDICULAR FRAMING



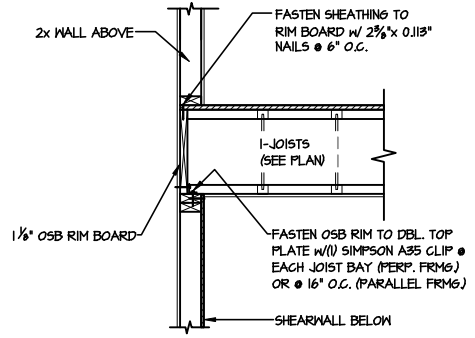
**2** SHEAR TRANSFER DETAIL @ EXTERIOR SHEARWALL ABOVE  
SCALE: 3/8"=1'-0"



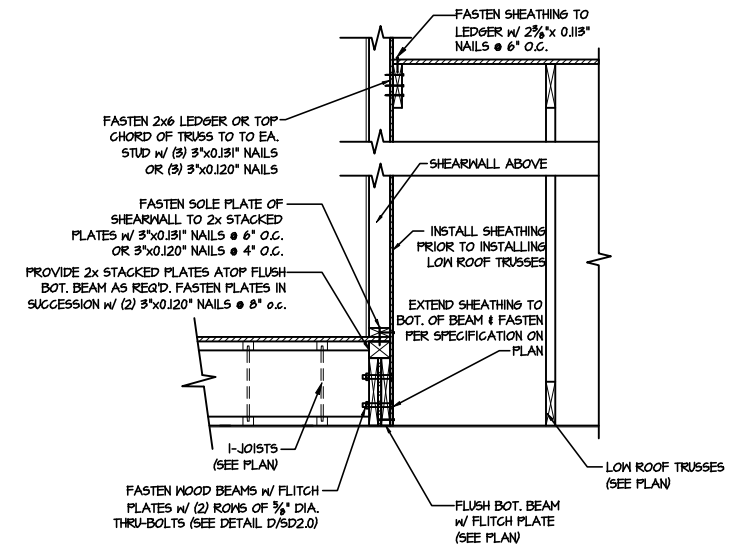
**2A** SHEAR TRANSFER DETAIL @ EXTERIOR SHEARWALL ABOVE  
SCALE: 3/8"=1'-0"



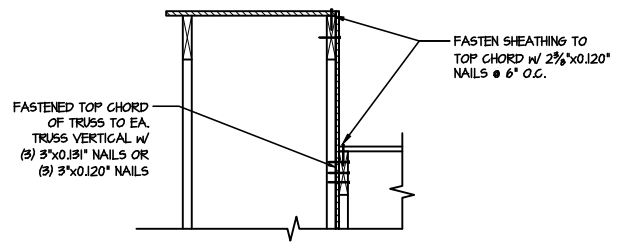
**3** TYPICAL SHEAR TRANSFER DETAIL @ EXTERIOR WALL ABOVE OVER GARAGE  
SCALE: 3/8"=1'-0"



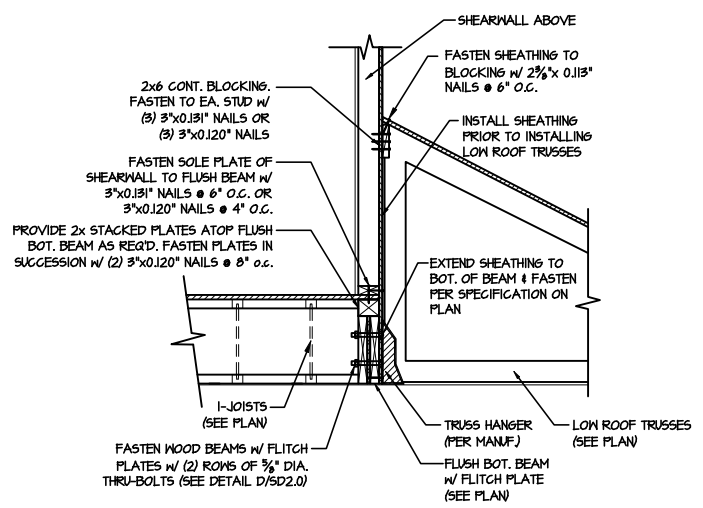
**4** SHEAR TRANSFER DETAIL @ INT. SHEARWALL BELOW  
SCALE: 3/4"=1'-0"  
EDGE OF FRAMING



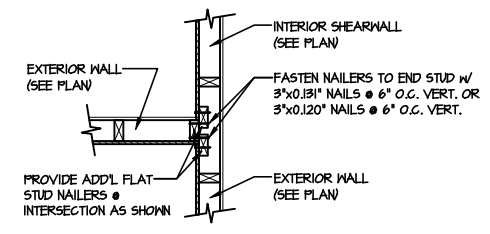
**5** SHEAR TRANSFER DETAIL @ EXTERIOR SHEARWALL ABOVE  
SCALE: 3/8"=1'-0"



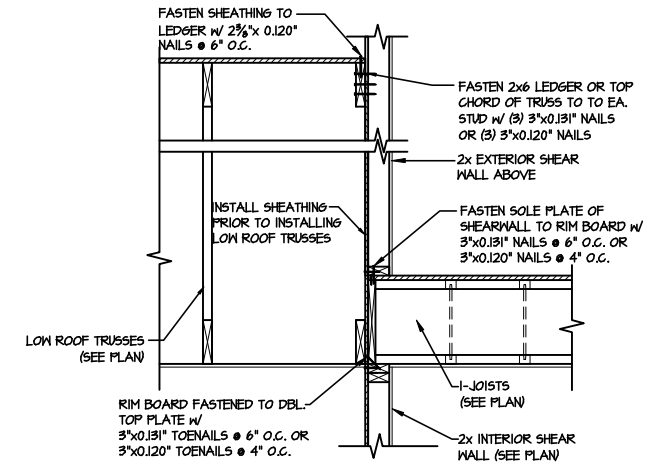
**6** SHEAR TRANSFER DETAIL @ EXTERIOR SHEARWALL ABOVE  
SCALE: 3/8"=1'-0"



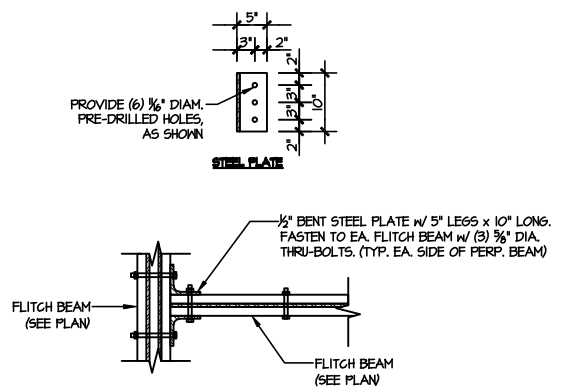
**7** SHEAR TRANSFER DETAIL @ EXTERIOR SHEARWALL ABOVE  
SCALE: 3/8"=1'-0"



**8** SHEAR TRANSFER DETAIL @ INTERSECTING INT. SHEARWALL  
SCALE: 3/4"=1'-0"  
SITE. ON SAME PAGE



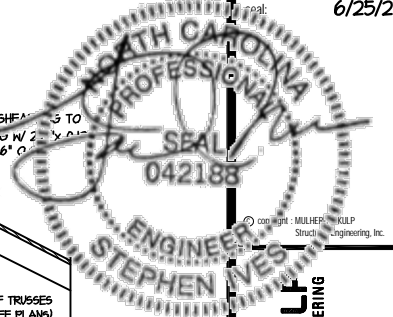
**9** TYPICAL SHEAR TRANSFER DETAIL BETWEEN FLOORS @ INTERIOR WALL  
SCALE: 3/4"=1'-0"



**10** TYPICAL FLITCH BEAM TO FLITCH BEAM CONNECTION DETAIL  
SCALE: 3/4"=1'-0"

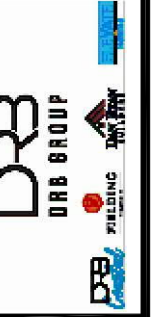
LETTERED DETAILS ARE TYPICAL FOR THIS HOME & SHALL BE IMPLEMENTED IN ALL APPLICABLE AREAS. THESE DETAILS ARE NOT "CUT" ON THE PLANS.

NUMBERED DETAILS ARE PLAN SPECIFIC AND ARE ONLY REQUIRED WHERE SPECIFICALLY INDICATED ("CUT") ON THE PLANS.



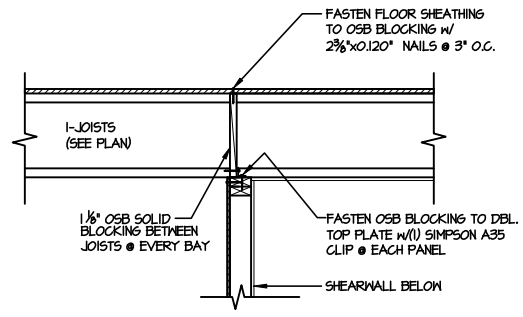
**MULHERN+KULP**  
RESIDENTIAL STRUCTURAL ENGINEERING  
300 Brookside Ave., Building 4 • Amber, PA 19002  
P 215-946-8001 • mulhern+kulp.com  
NC LIC. #C-3825

M&K project number:  
126-21011  
project mgr: JTR  
drawn by: MDH  
issue date: 06-25-21  
REVISIONS:  
date: initial

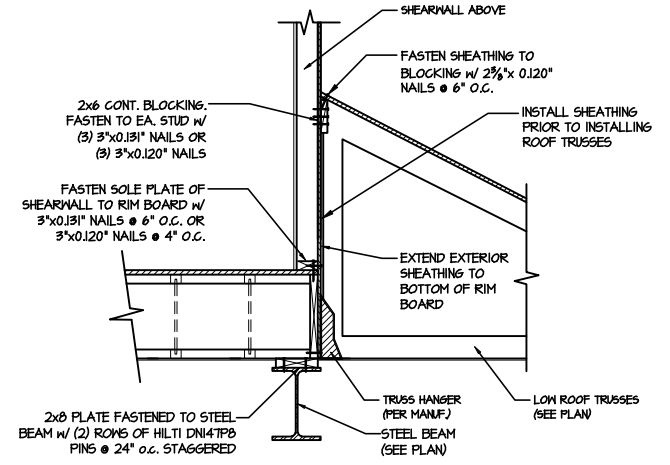


Framing Details  
CAMERON MODEL  
RALEIGH, NC

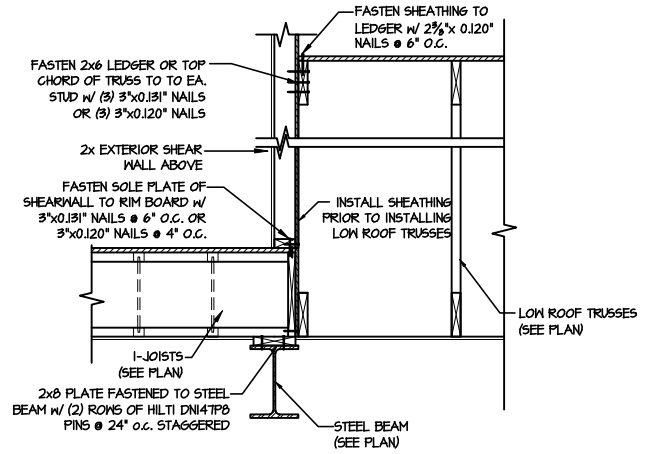
sheet:  
**SD2.1CJ**



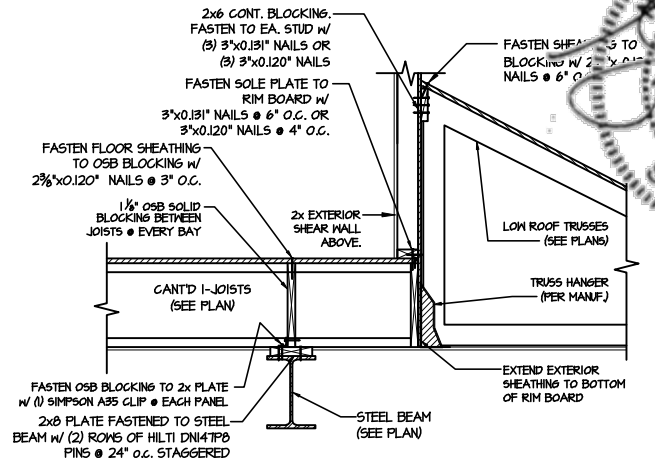
**1** SHEAR TRANSFER DETAIL @ INTERIOR SHEARWALL BELOW  
SCALE: 3/4"=1'-0"  
PERPENDICULAR FRAMING



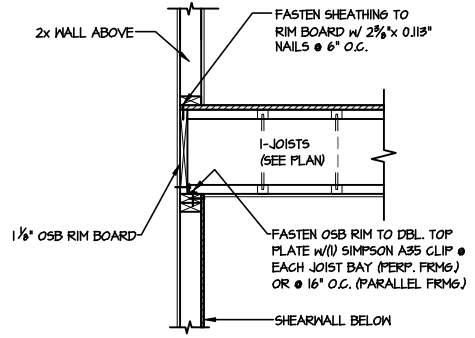
**2** SHEAR TRANSFER DETAIL @ EXTERIOR SHEARWALL ABOVE  
SCALE: 3/8"=1'-0"



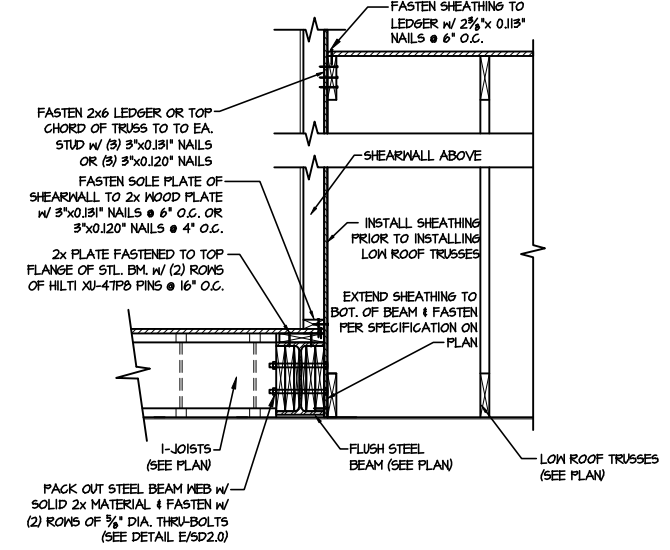
**2A** SHEAR TRANSFER DETAIL @ EXTERIOR SHEARWALL ABOVE  
SCALE: 3/8"=1'-0"



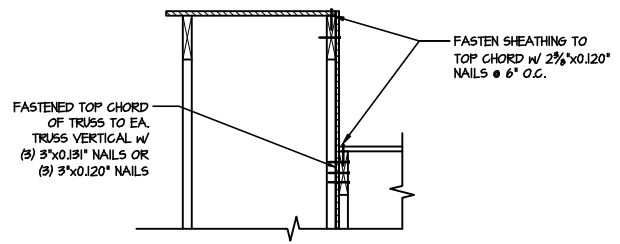
**3** TYPICAL SHEAR TRANSFER DETAIL @ EXTERIOR WALL ABOVE OVER GARAGE  
SCALE: 3/8"=1'-0"



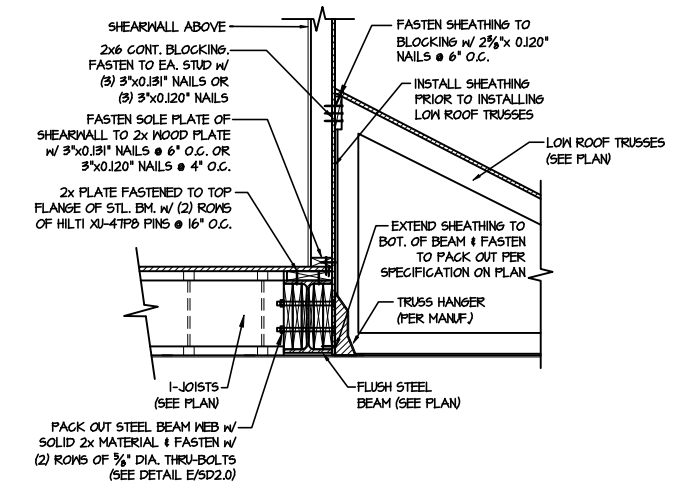
**4** SHEAR TRANSFER DETAIL @ INT. SHEARWALL BELOW  
SCALE: 3/4"=1'-0"  
EDGE OF FRAMING



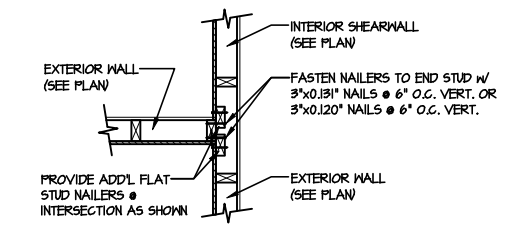
**5** SHEAR TRANSFER DETAIL @ EXTERIOR SHEARWALL ABOVE  
SCALE: 3/8"=1'-0"



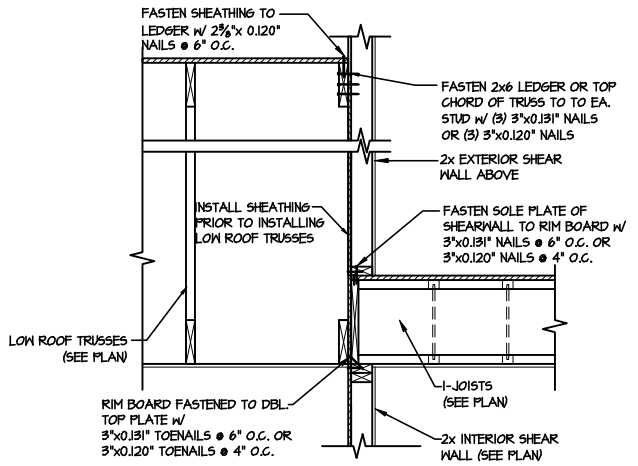
**6** SHEAR TRANSFER DETAIL @ EXTERIOR SHEARWALL ABOVE  
SCALE: 3/8"=1'-0"



**7** SHEAR TRANSFER DETAIL @ EXTERIOR SHEARWALL ABOVE  
SCALE: 3/8"=1'-0"



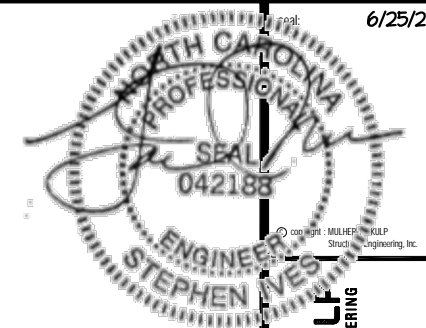
**8** SHEAR TRANSFER DETAIL @ INTERSECTING INT. SHEARWALL  
SCALE: 3/4"=1'-0"  
SHR. ON SAME PAGE



**9** TYPICAL SHEAR TRANSFER DETAIL BETWEEN FLOORS @ INTERIOR WALL  
SCALE: 3/4"=1'-0"

LETTERED DETAILS ARE TYPICAL FOR THIS HOME & SHALL BE IMPLEMENTED IN ALL APPLICABLE AREAS. THESE DETAILS ARE NOT "CUT" ON THE PLANS.

NUMBERED DETAILS ARE PLAN SPECIFIC AND ARE ONLY REQUIRED WHERE SPECIFICALLY INDICATED ("CUT") ON THE PLANS.

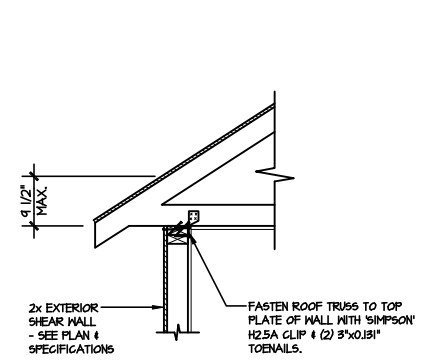


**MULHERN+KULF**  
RESIDENTIAL STRUCTURAL ENGINEERING  
300 Brookside Ave. Building 4 • Amber, PA 18002  
P 215-946-8001 • mulhern+kulf.com  
NC LIC. #C-3825

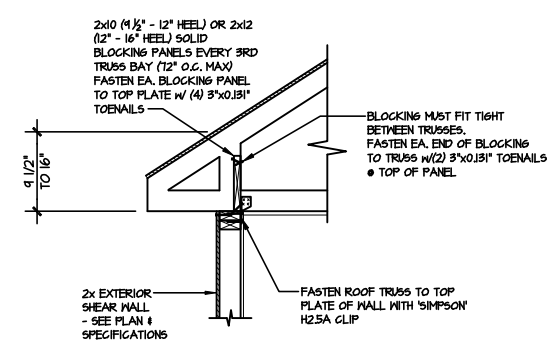
M&K project number: 126-21011  
project mgr: JTR  
drawn by: MDH  
issue date: 06-25-21  
REVISIONS:  
date: initial

Framing Details  
CAMERON MODEL  
RALEIGH, NC

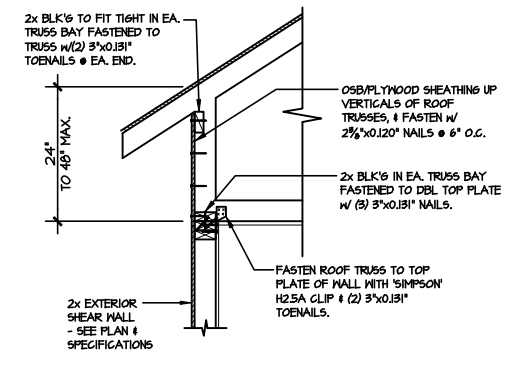
sheet: **SD2.0T**



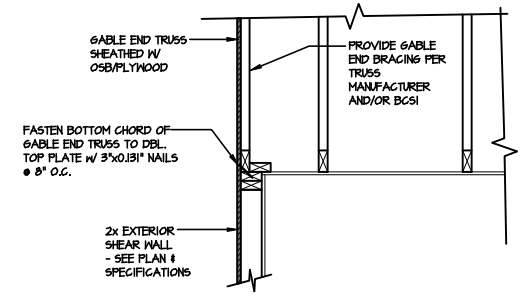
**AI TYPICAL SHEAR TRANSFER DETAIL @ ROOF**  
SCALE: 3/8"=1'-0"  
HEEL HEIGHT LESS THAN 1 1/2"  
NO BLOCKING REQ'D



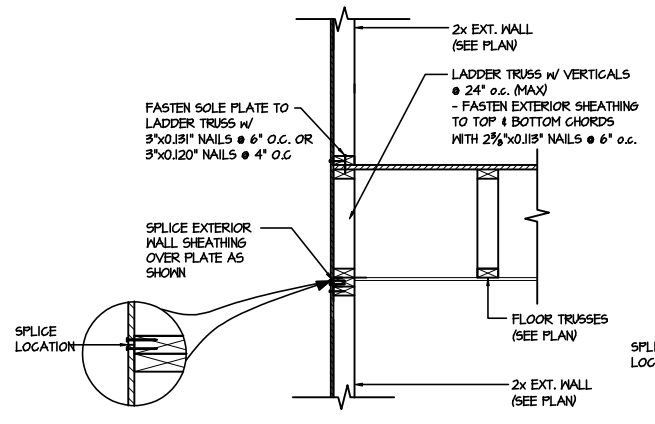
**A2 TYPICAL SHEAR TRANSFER DETAIL @ ROOF**  
SCALE: 3/8"=1'-0"  
HEEL HEIGHT BETWEEN 1 1/2" - 16"  
BLOCKING REQ'D



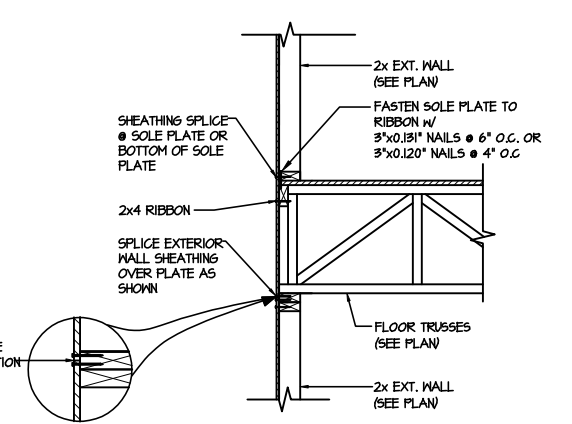
**A3 TYPICAL SHEAR TRANSFER DETAIL @ RAISED HEEL TRUSS**  
SCALE: 3/8"=1'-0"  
HEEL HEIGHT UP TO 48" MAX



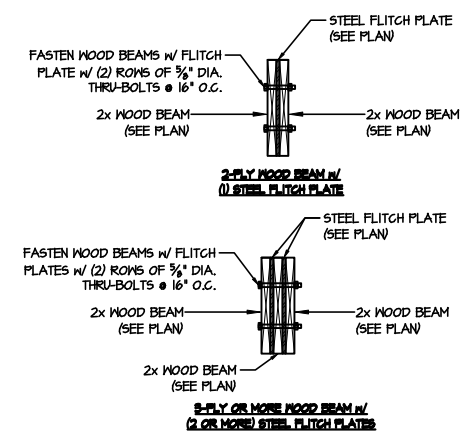
**B TYPICAL GABLE END DETAIL**  
SCALE: 3/8"=1'-0"



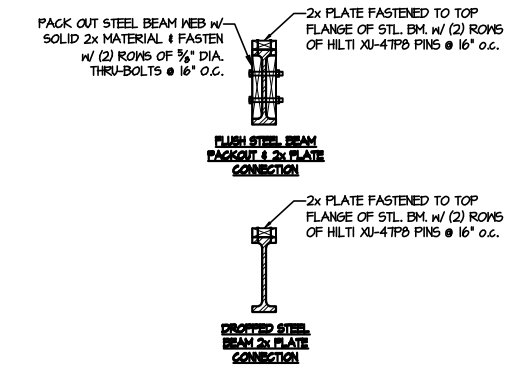
**C1 TYPICAL SHEAR TRANSFER DETAIL BETWEEN FLOORS @ EXTERIOR WALL**  
SCALE: 3/8"=1'-0"  
PARALLEL FRAM



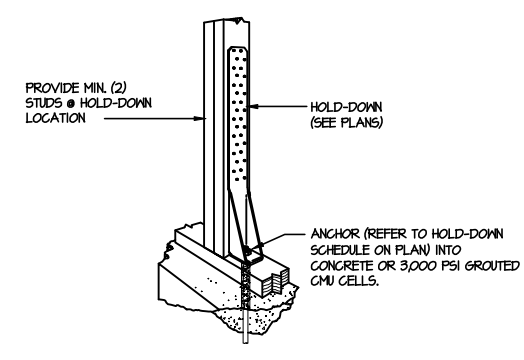
**C2 TYPICAL SHEAR TRANSFER DETAIL BETWEEN FLOORS @ EXTERIOR WALL**  
SCALE: 3/8"=1'-0"  
PERPENDICULAR FRAM



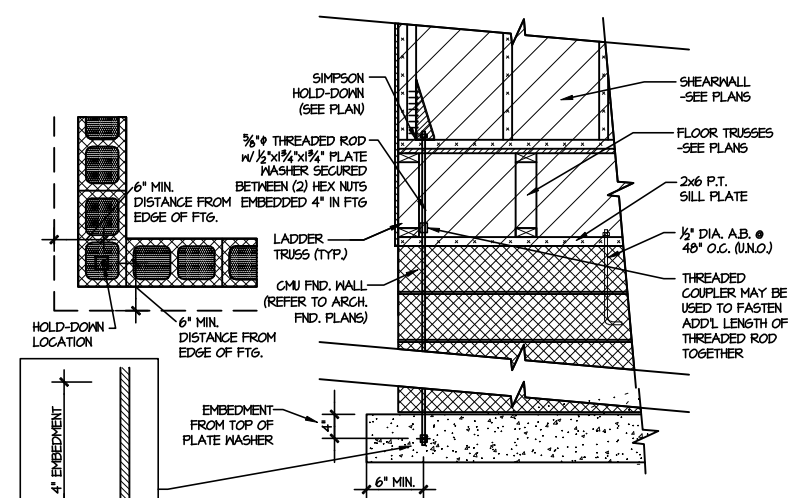
**D TYPICAL FITCH BEAM CONNECTION DETAIL**  
SCALE: 3/4"=1'-0"



**E TYPICAL STEEL BEAM CONNECTION DETAIL**  
SCALE: 3/4"=1'-0"



**F1 TYPICAL HOLD DOWN INSTALLATION**  
SCALE: N.T.S.

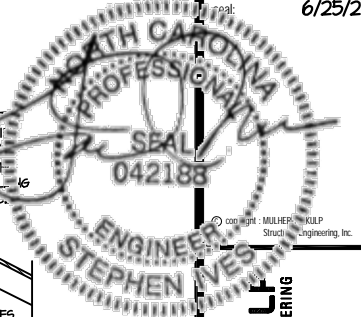


**F2 TYPICAL CMU FOUNDATION HOLD-DOWN INSTALLATION**  
SCALE: N.T.S. (CORNER SHOWN - APPLICABLE TO ALL CONDITIONS)

LETTERED DETAILS ARE TYPICAL FOR THIS HOME & SHALL BE IMPLEMENTED IN ALL APPLICABLE AREAS. THESE DETAILS ARE NOT "CUT" ON THE PLANS.

NUMBERED DETAILS ARE PLAN SPECIFIC AND ARE ONLY REQUIRED WHERE SPECIFICALLY INDICATED ("CUT") ON THE PLANS.



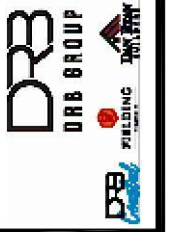


**MULHERN+KULP**  
RESIDENTIAL STRUCTURAL ENGINEERING  
300 Brookside Ave. Building 4 • Amber, PA 18002  
P 215-946-8001 • mulhern+kulp.com  
NC LIC. #C-3825



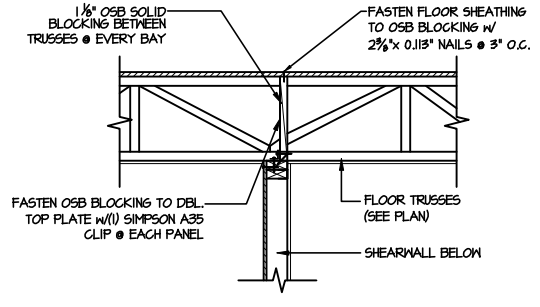
M&K project number:  
126-21011  
project mgr: JTR  
drawn by: MDH  
issue date: 06-25-21

REVISIONS:  
date: initial

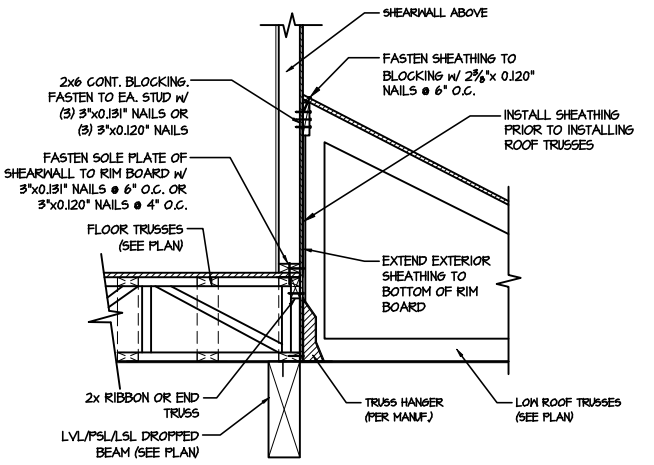


Framing Details  
CAMERON MODEL  
RALEIGH, NC

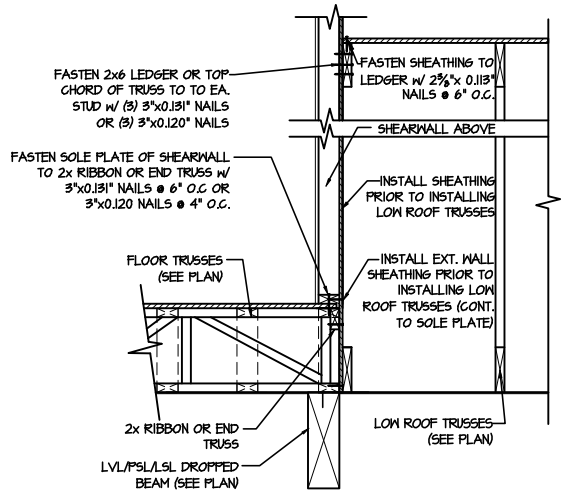
sheet:  
**SD2.1AT**



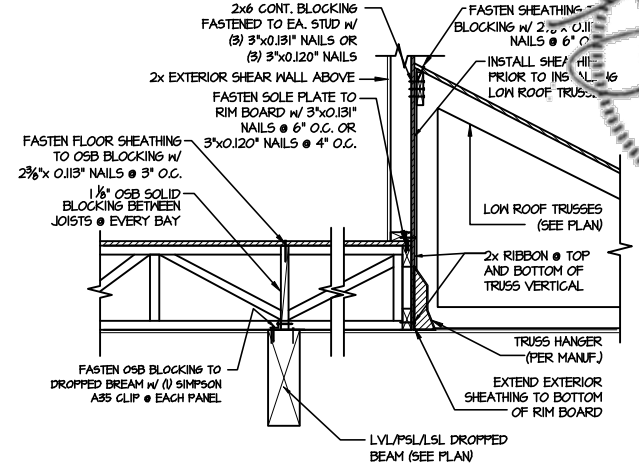
**1** SHEAR TRANSFER DETAIL @  
INTERIOR SHEARWALL BELOW  
SCALE: 3/4\"/>



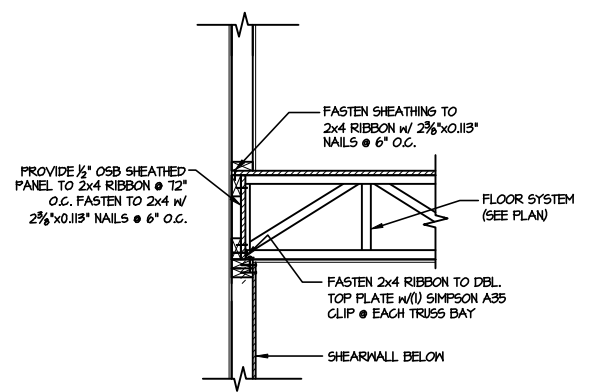
**2** SHEAR TRANSFER DETAIL @  
EXTERIOR SHEARWALL ABOVE  
SCALE: 3/8\"/>



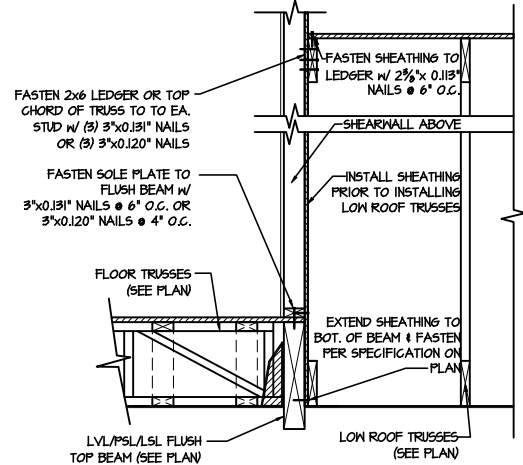
**2A** SHEAR TRANSFER DETAIL @  
EXTERIOR SHEARWALL ABOVE  
SCALE: 3/8\"/>



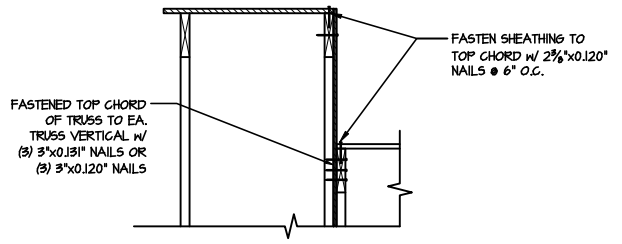
**3** TYPICAL SHEAR TRANSFER DETAIL @  
EXTERIOR WALL ABOVE OVER GARAGE  
SCALE: 3/8\"/>



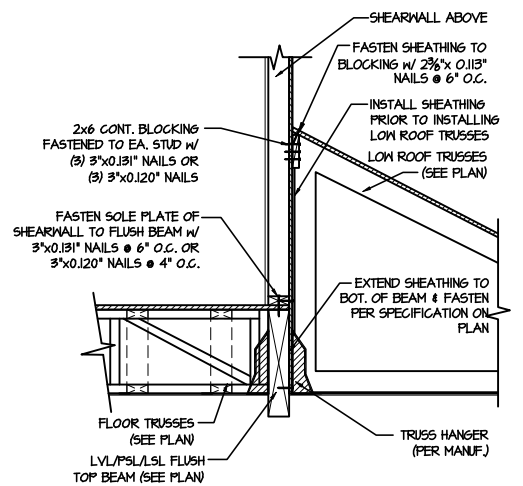
**4** SHEAR TRANSFER DETAIL @  
INTERIOR SHEAR WALL  
SCALE: 3/4\"/>



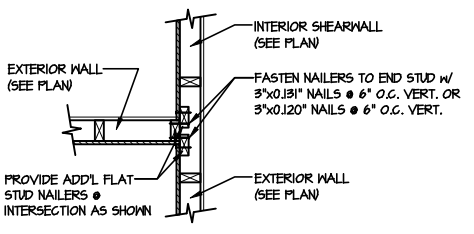
**5** SHEAR TRANSFER DETAIL @  
EXTERIOR SHEARWALL ABOVE  
SCALE: 3/8\"/>



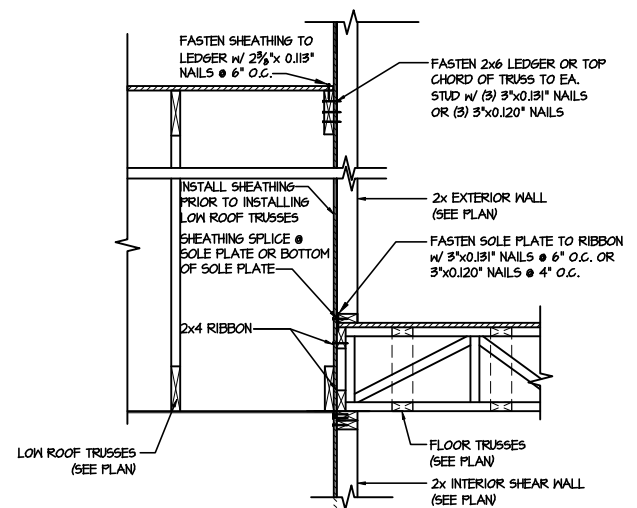
**6** SHEAR TRANSFER DETAIL @  
EXTERIOR SHEARWALL ABOVE  
SCALE: 3/8\"/>



**7** SHEAR TRANSFER DETAIL @  
EXTERIOR SHEARWALL ABOVE  
SCALE: 3/8\"/>



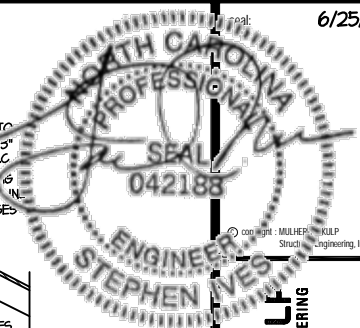
**8** SHEAR TRANSFER DETAIL @  
INTERSECTING INT. SHEARWALL  
SCALE: 3/4\"/>



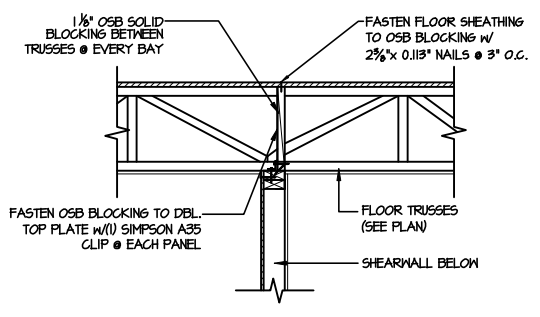
**9** TYPICAL SHEAR TRANSFER DETAIL  
BETWEEN FLOORS @ INTERIOR WALL  
SCALE: 3/4\"/>

LETTERED DETAILS ARE TYPICAL FOR THIS HOME & SHALL BE IMPLEMENTED IN ALL APPLICABLE AREAS. THESE DETAILS ARE NOT "CUT" ON THE PLANS.

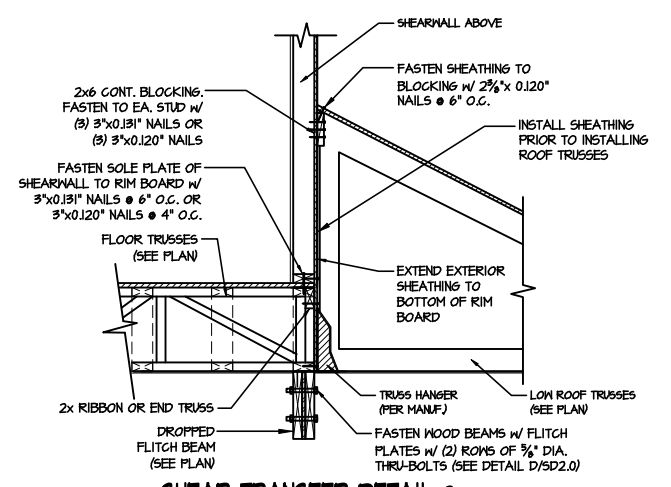
NUMBERED DETAILS ARE PLAN SPECIFIC AND ARE ONLY REQUIRED WHERE SPECIFICALLY INDICATED ("CUT") ON THE PLANS.



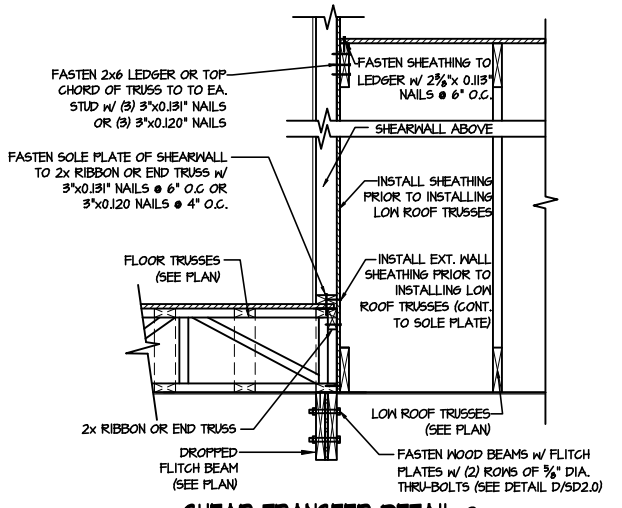
**MULHERN+KULP**  
RESIDENTIAL STRUCTURAL ENGINEERING  
300 Brookside Ave. Building 4 • Amber, PA 18002  
P 215-946-8001 • mulhern+kulp.com  
NC LIC. #C-3825



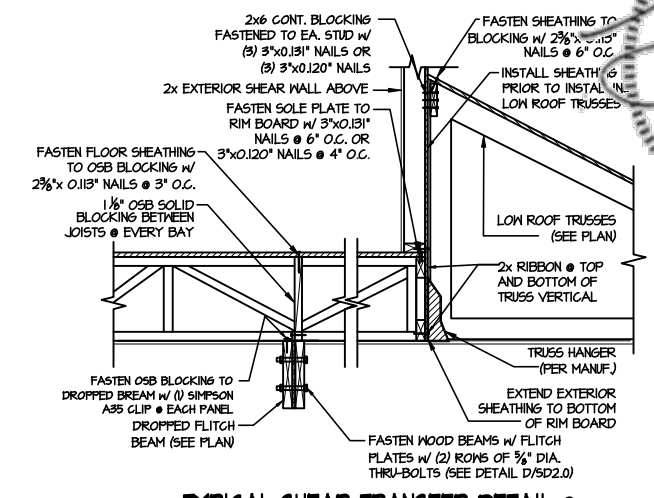
**1** SHEAR TRANSFER DETAIL @ INTERIOR SHEARWALL BELOW  
SCALE: 3/4\"/>



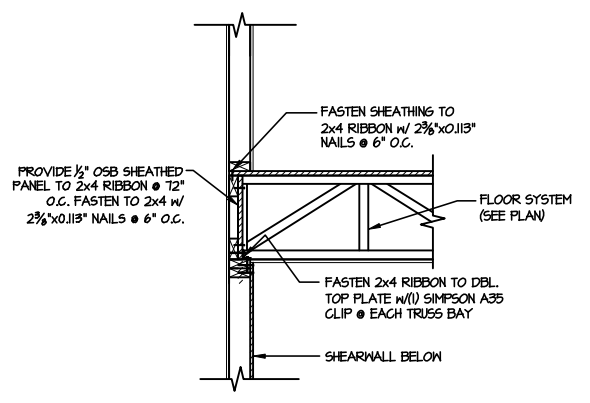
**2** SHEAR TRANSFER DETAIL @ EXTERIOR SHEARWALL ABOVE  
SCALE: 3/8\"/>



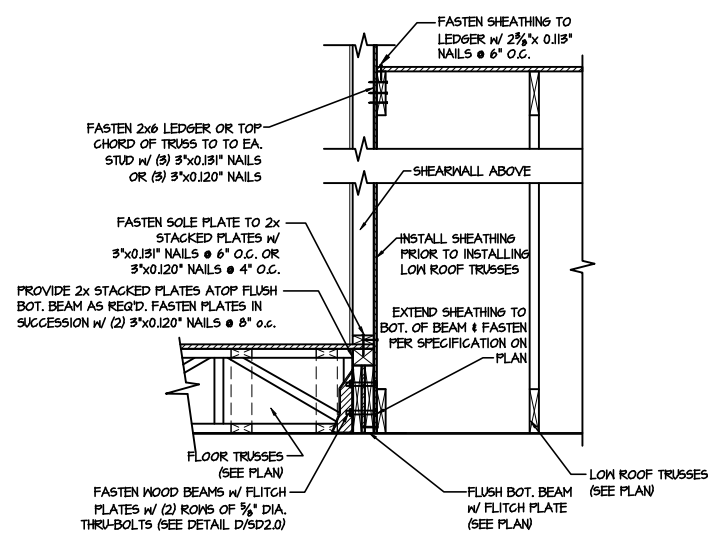
**2A** SHEAR TRANSFER DETAIL @ EXTERIOR SHEARWALL ABOVE  
SCALE: 3/8\"/>



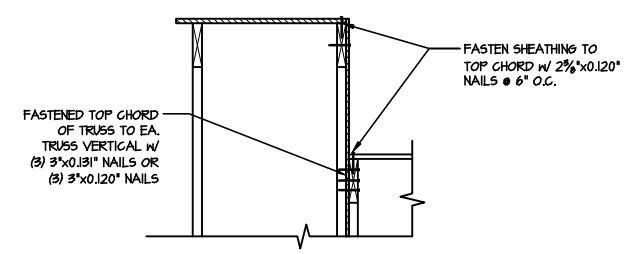
**3** TYPICAL SHEAR TRANSFER DETAIL @ EXTERIOR WALL ABOVE OVER GARAGE  
SCALE: 3/8\"/>



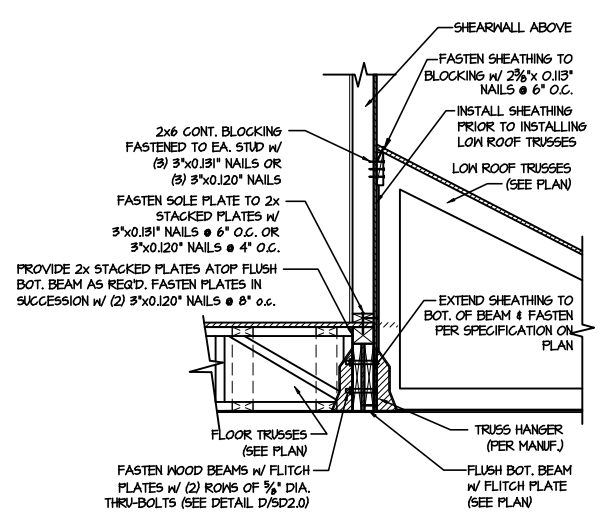
**4** SHEAR TRANSFER DETAIL @ INTERIOR SHEAR WALL  
SCALE: 3/4\"/>



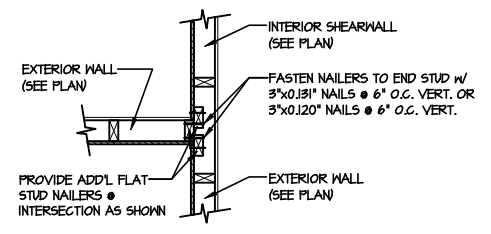
**5** SHEAR TRANSFER DETAIL @ EXTERIOR SHEARWALL ABOVE  
SCALE: 3/8\"/>



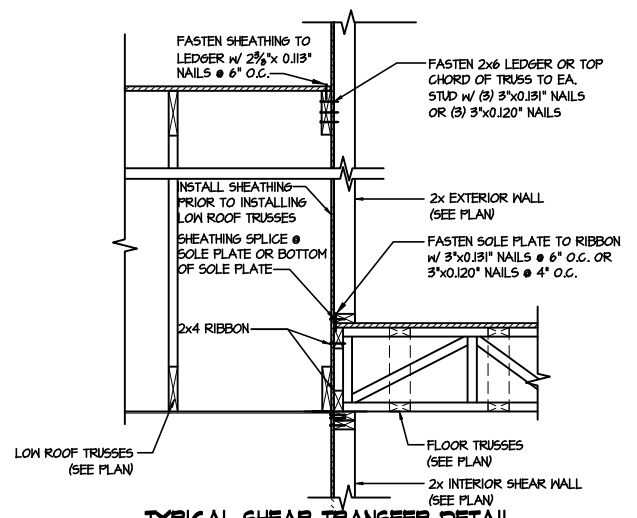
**6** SHEAR TRANSFER DETAIL @ EXTERIOR SHEARWALL ABOVE  
SCALE: 3/8\"/>



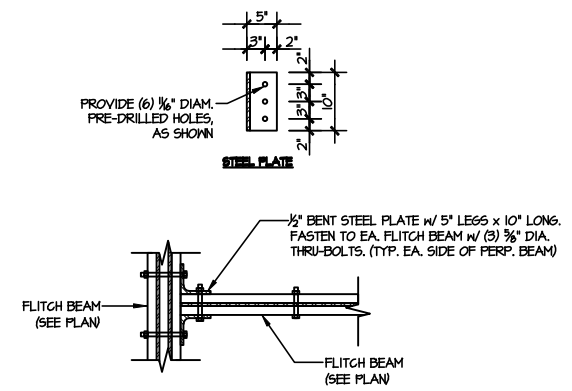
**7** SHEAR TRANSFER DETAIL @ EXTERIOR SHEARWALL ABOVE  
SCALE: 3/8\"/>



**8** SHEAR TRANSFER DETAIL @ INTERSECTING INT. SHEARWALL  
SCALE: 3/4\"/>



**9** TYPICAL SHEAR TRANSFER DETAIL BETWEEN FLOORS @ INTERIOR WALL  
SCALE: 3/4\"/>



**10** TYPICAL FLITCH BEAM TO FLITCH BEAM CONNECTION DETAIL  
SCALE: 3/4\"/>

LETTERED DETAILS ARE TYPICAL FOR THIS HOME & SHALL BE IMPLEMENTED IN ALL APPLICABLE AREAS. THESE DETAILS ARE NOT "CUT" ON THE PLANS.

NUMBERED DETAILS ARE PLAN SPECIFIC AND ARE ONLY REQUIRED WHERE SPECIFICALLY INDICATED ("CUT") ON THE PLANS.

M&K project number: 126-21011

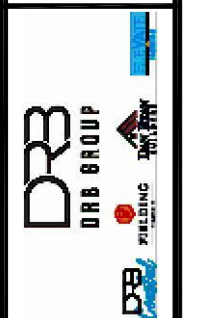
project mgr: JTR

drawn by: MDH

issue date: 06-25-21

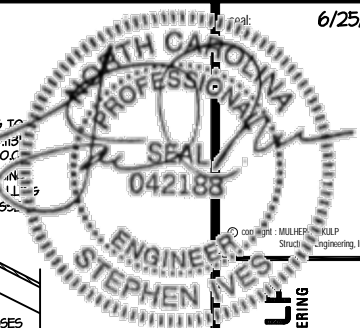
REVISIONS:

date:	initial:



Framing Details  
CAMERON MODEL  
RALEIGH, NC

sheet: SD2.1BT



**MULHERN+KULF**  
RESIDENTIAL STRUCTURAL ENGINEERING  
300 Brookside Ave. Building 4 • Arden, PA 18002  
P 215-946-8001 • mulhern+kulp.com  
NC LIC. #C-3825



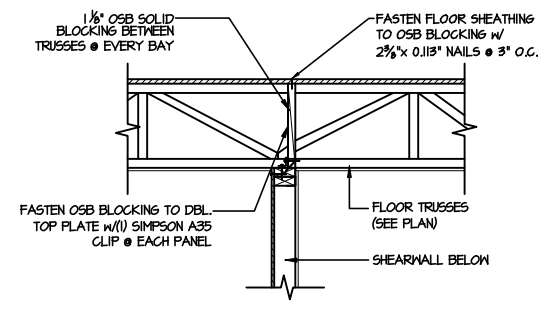
M&K project number:  
126-21011  
project mgr: JTR  
drawn by: MDH  
issue date: 06-25-21

REVISIONS:  
date: initial

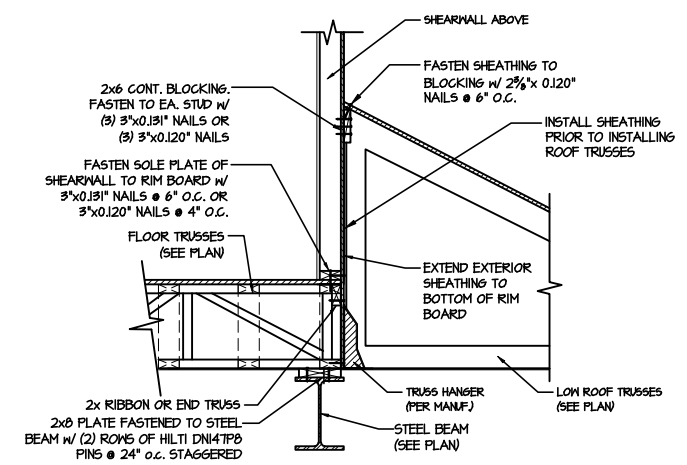


Framing Details  
CAMERON MODEL  
RALEIGH, NC

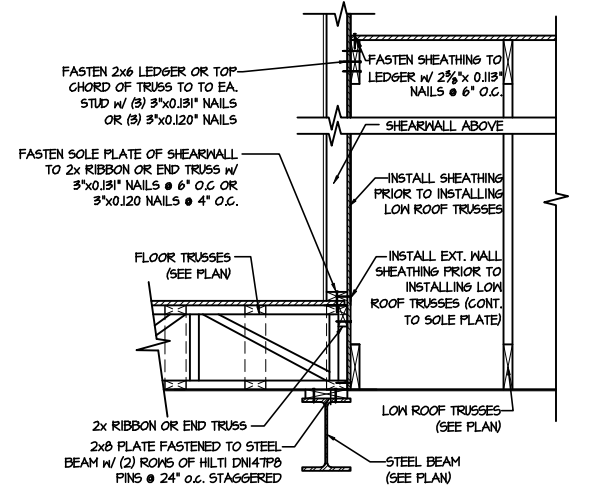
sheet:  
**SD2.1CT**



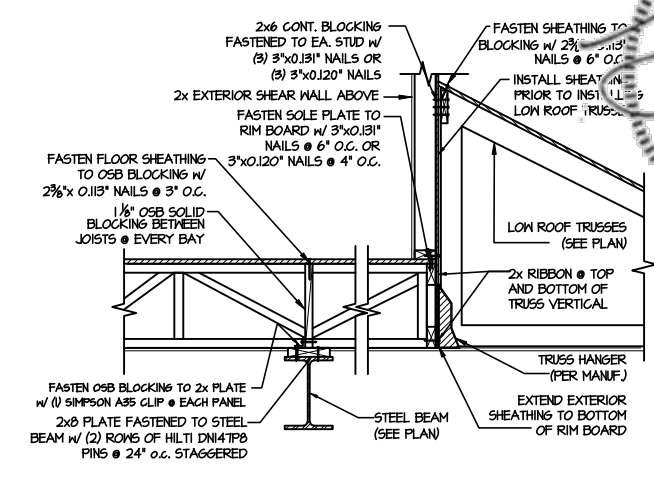
**1** SHEAR TRANSFER DETAIL @  
INTERIOR SHEARWALL BELOW  
SCALE: 3/4"=1'-0"  
PERPENDICULAR FRAMING



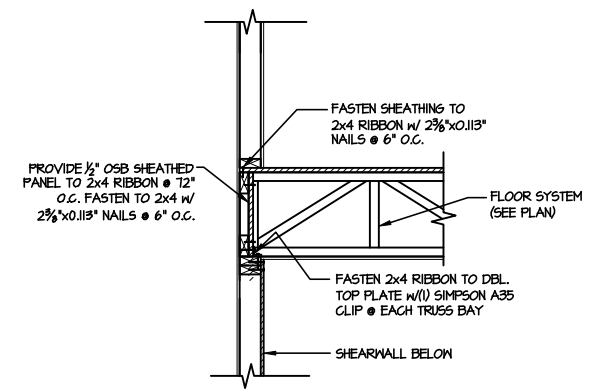
**2** SHEAR TRANSFER DETAIL @  
EXTERIOR SHEARWALL ABOVE  
SCALE: 3/8"=1'-0"



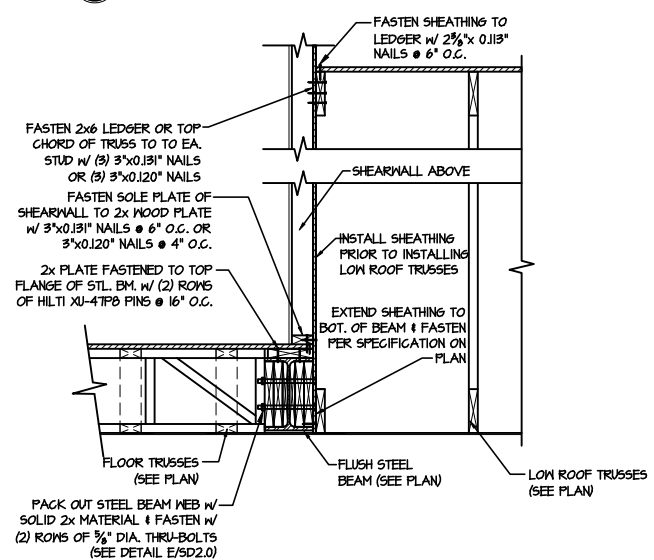
**2A** SHEAR TRANSFER DETAIL @  
EXTERIOR SHEARWALL ABOVE  
SCALE: 3/8"=1'-0"



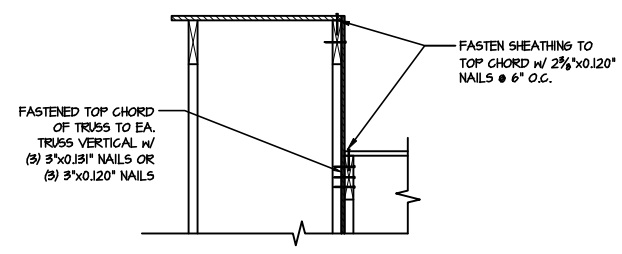
**3** TYPICAL SHEAR TRANSFER DETAIL @  
EXTERIOR WALL ABOVE OVER GARAGE  
SCALE: 3/8"=1'-0"



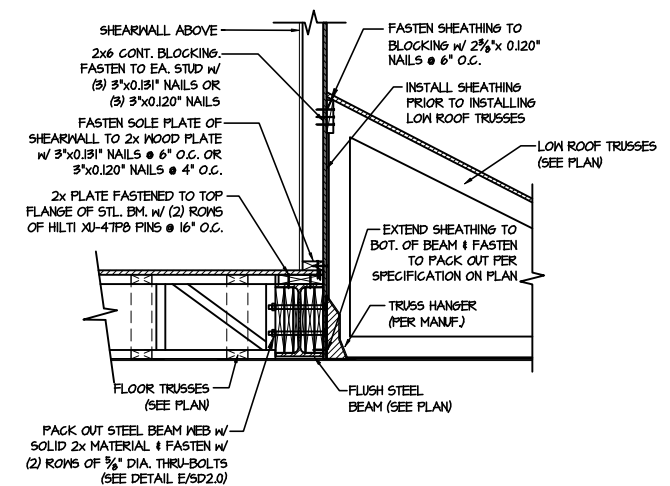
**4** SHEAR TRANSFER DETAIL  
@ INTERIOR SHEAR WALL  
SCALE: 3/4"=1'-0"  
PERPENDICULAR FRAMING



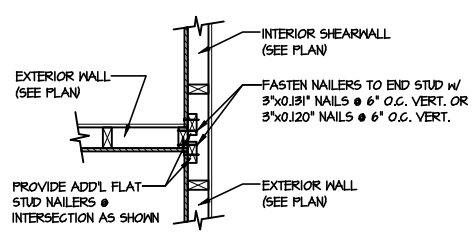
**5** SHEAR TRANSFER DETAIL @  
EXTERIOR SHEARWALL ABOVE  
SCALE: 3/8"=1'-0"



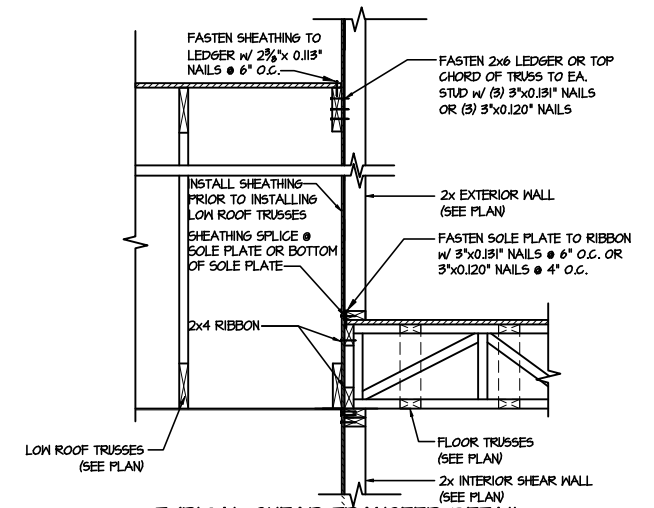
**6** SHEAR TRANSFER DETAIL @  
EXTERIOR SHEARWALL ABOVE  
SCALE: 3/8"=1'-0"



**7** SHEAR TRANSFER DETAIL @  
EXTERIOR SHEARWALL ABOVE  
SCALE: 3/8"=1'-0"



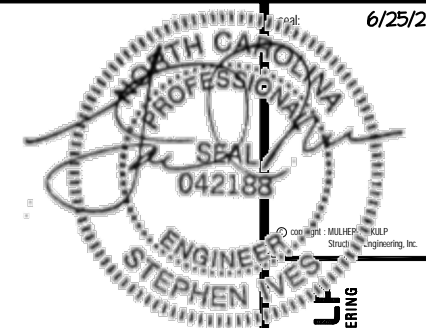
**8** SHEAR TRANSFER DETAIL @  
INTERSECTING INT. SHEARWALL  
SCALE: 3/4"=1'-0"  
SHO. ON SAME PAGE



**9** TYPICAL SHEAR TRANSFER DETAIL  
BETWEEN FLOORS @ INTERIOR WALL  
SCALE: 3/4"=1'-0"

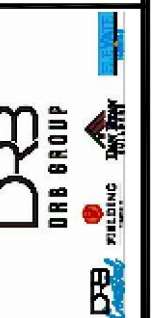
LETTERED DETAILS ARE TYPICAL FOR THIS HOME & SHALL BE IMPLEMENTED IN ALL APPLICABLE AREAS. THESE DETAILS ARE NOT "CUT" ON THE PLANS.

NUMBERED DETAILS ARE PLAN SPECIFIC AND ARE ONLY REQUIRED WHERE SPECIFICALLY INDICATED ("CUT") ON THE PLANS.



**MULHERN+KULP**  
RESIDENTIAL STRUCTURAL ENGINEERING  
300 Brookside Ave. Building 4 • Amber, PA 18002  
P 215-646-8001 • mulhern+kulp.com  
NC LIC. #C-3825

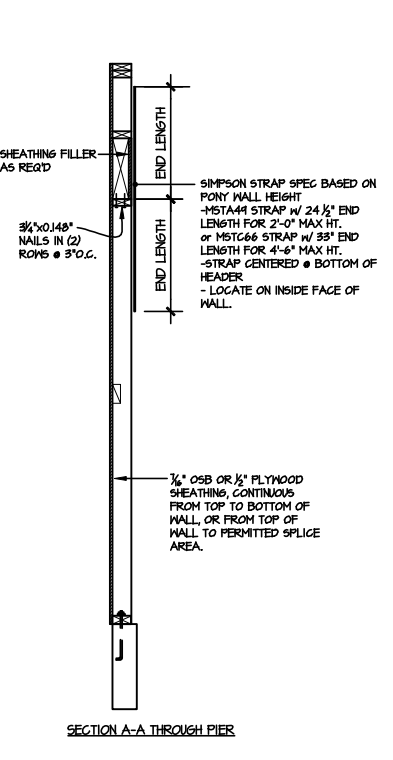
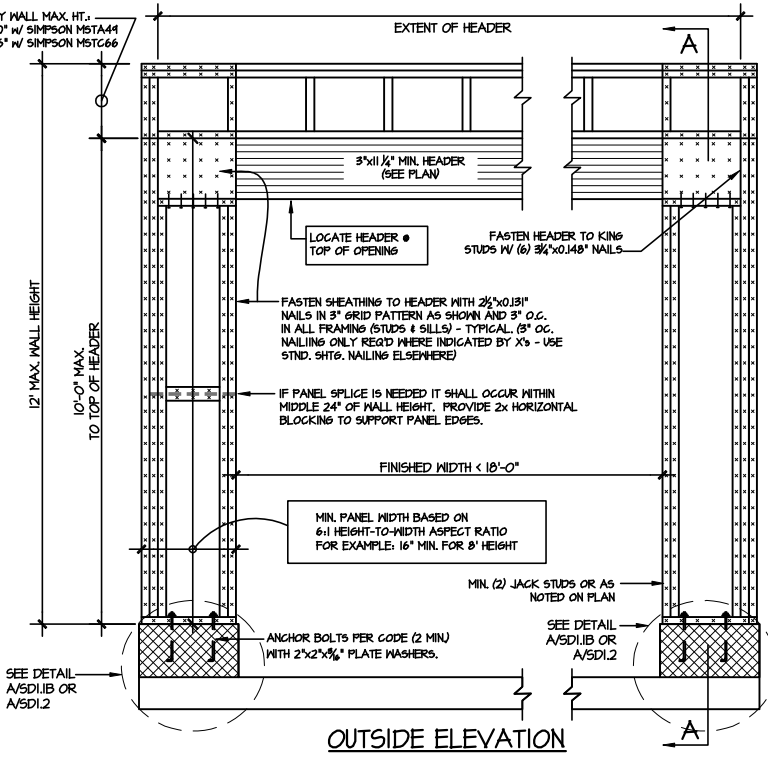
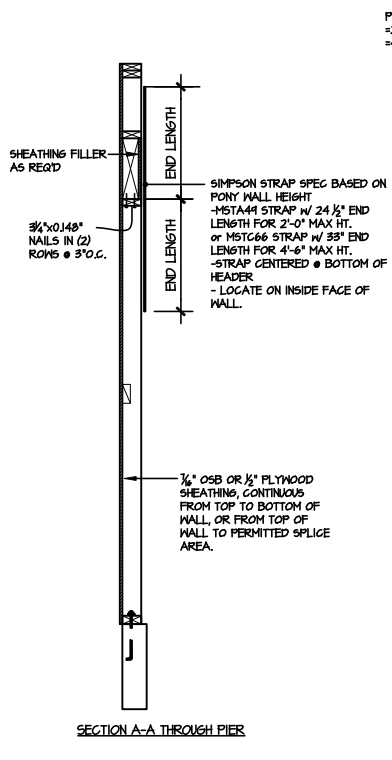
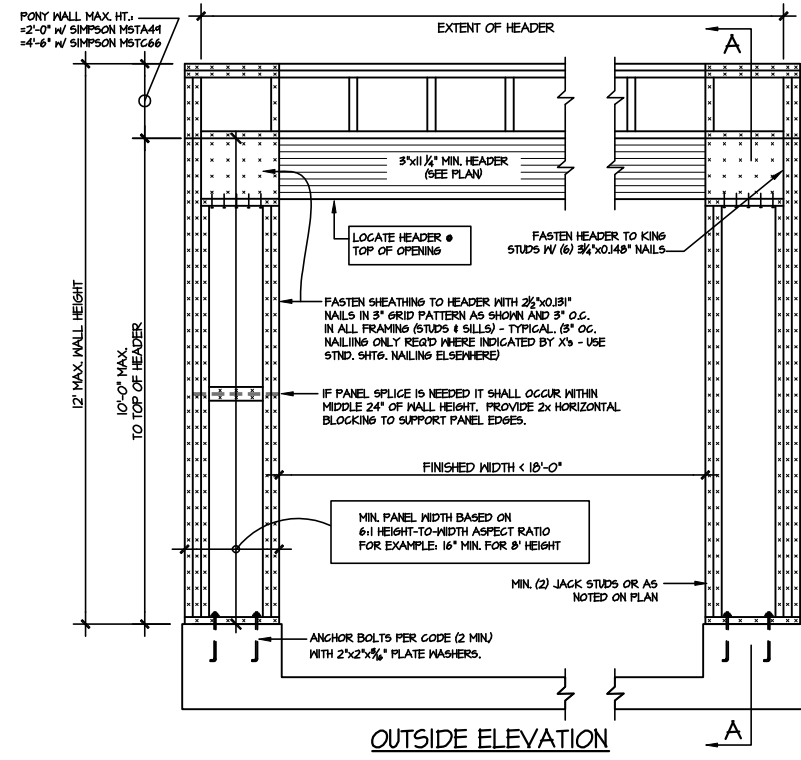
M&K project number:  
126-21011  
project mgr: JTR  
drawn by: MDH  
issue date: 06-25-21  
REVISIONS:  
date: initial:



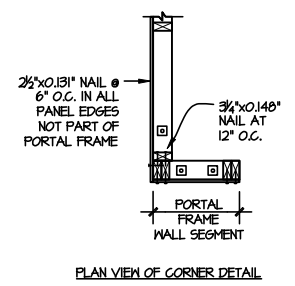
Framing Detail s  
CAMERON MODEL  
RALEIGH, NC

sheet:  
**SD2.2**

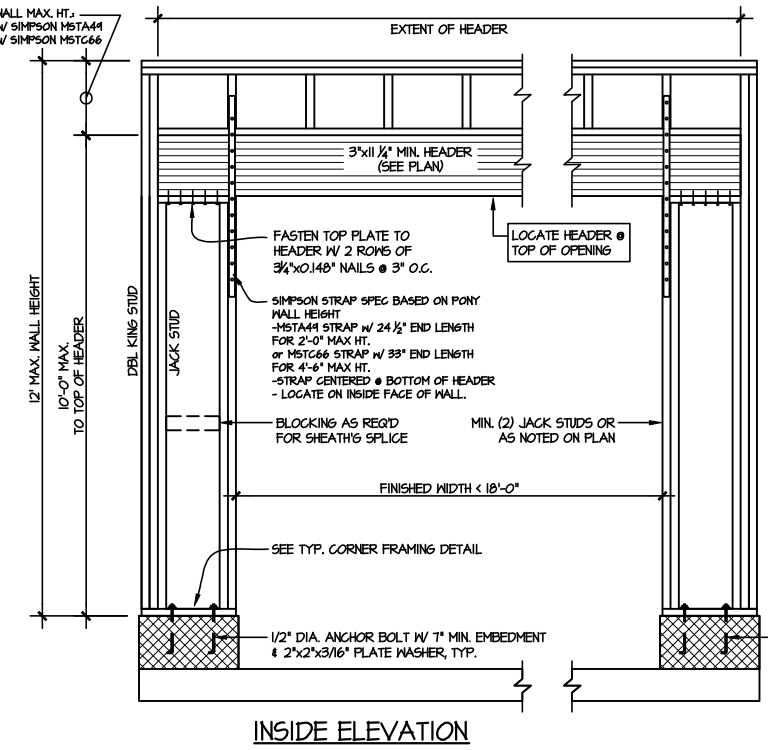
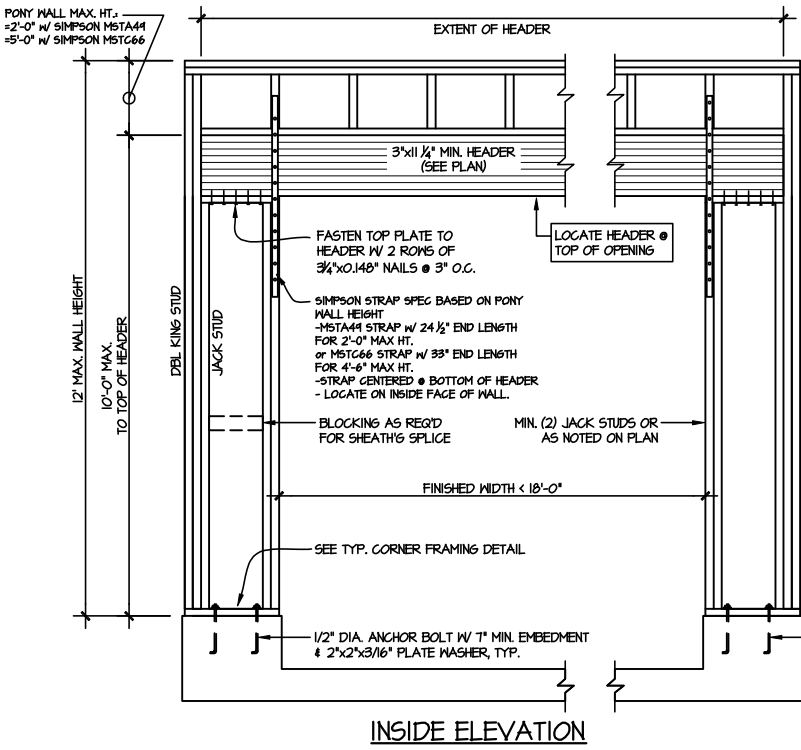
FILE: RLH - Cameron - Structural DATE: 6/25/2021 8:25 AM



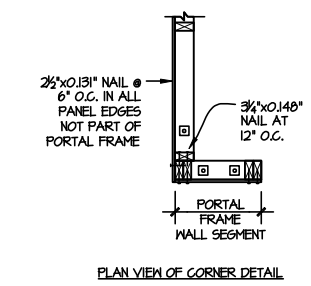
NOTE: ALL SHEATHABLE AREAS OF EXTERIOR WALL SHALL BE FULLY SHEATHED WITH 1/2" PLYWOOD OR 1/4" OSB



ALTERNATIVES TO 1/2" DIA. ANCHOR BOLT:  
1) 1/2" DIA. x 6" LONG SIMPSON TITEN HD  
2) 1/2" DIA. THREADED ROD EPOXY SET W/ 4 1/2" EMBED. (MIN) UTILIZING HILTI HY200 EPOXY ANCHORING SYSTEM (OR EQUAL)



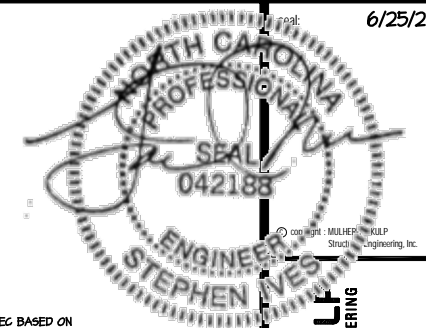
NOTE: ALL SHEATHABLE AREAS OF EXTERIOR WALL SHALL BE FULLY SHEATHED WITH 1/2" PLYWOOD OR 1/4" OSB



ALTERNATIVE TO 1/2" DIA. ANCHOR BOLT:  
1) 1/2" DIA. THREADED ROD EPOXY SET W/ 4 1/2" EMBED. (MIN) UTILIZING HILTI HY200 EPOXY ANCHORING SYSTEM (OR EQUAL)

**IA** TWO SIDED GARAGE PORTAL FRAME BRACING ELEVATION ON CONCRETE STEM  
SCALE: N.T.S.

**IB** TWO SIDED GARAGE PORTAL FRAME BRACING ELEVATION ON CMU STEM  
SCALE: N.T.S.



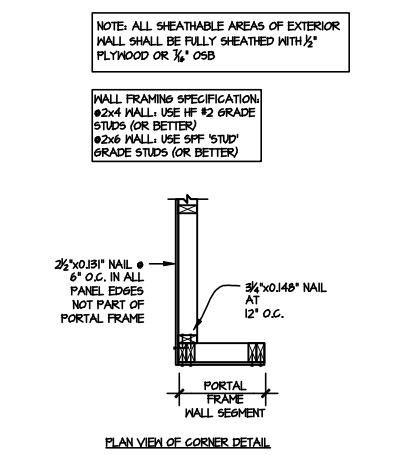
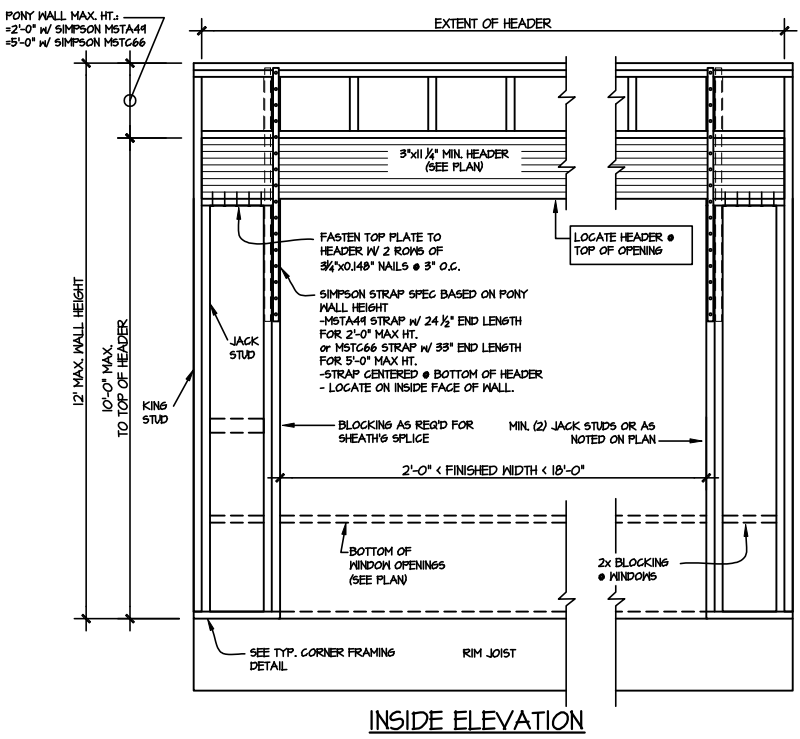
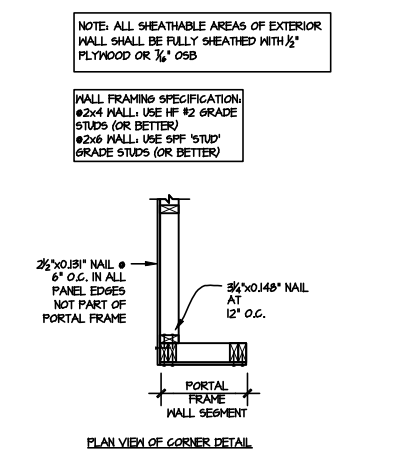
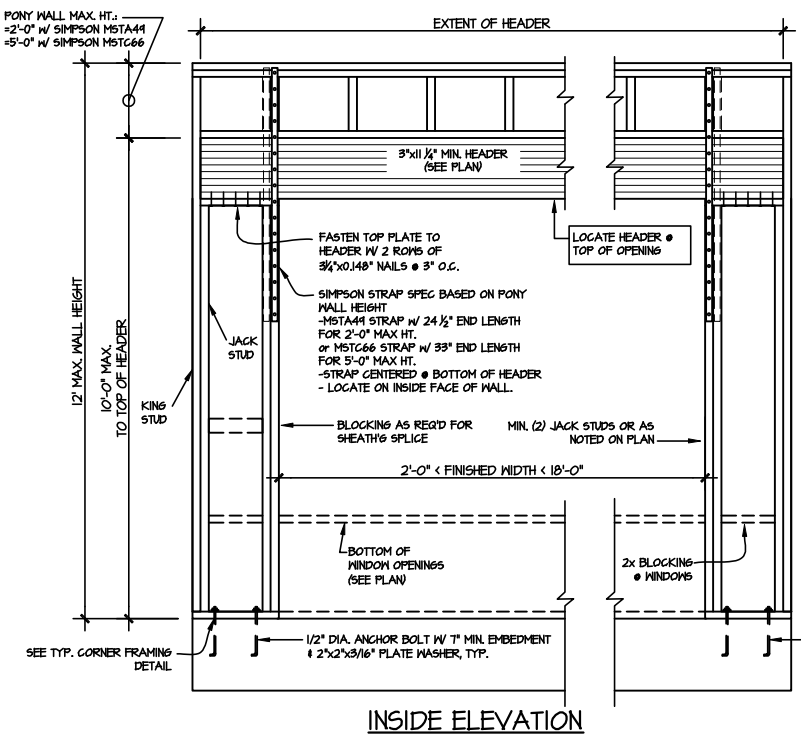
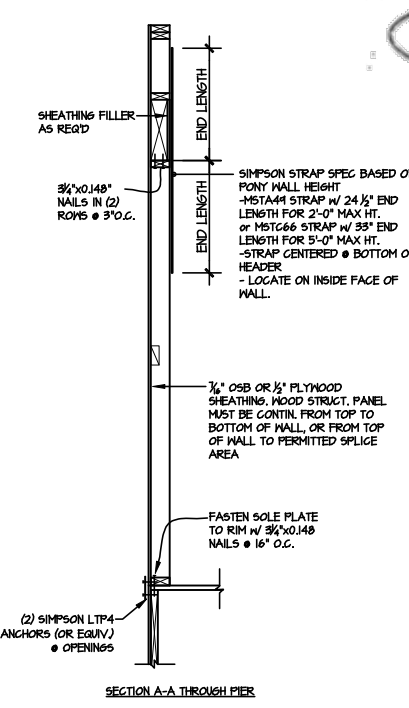
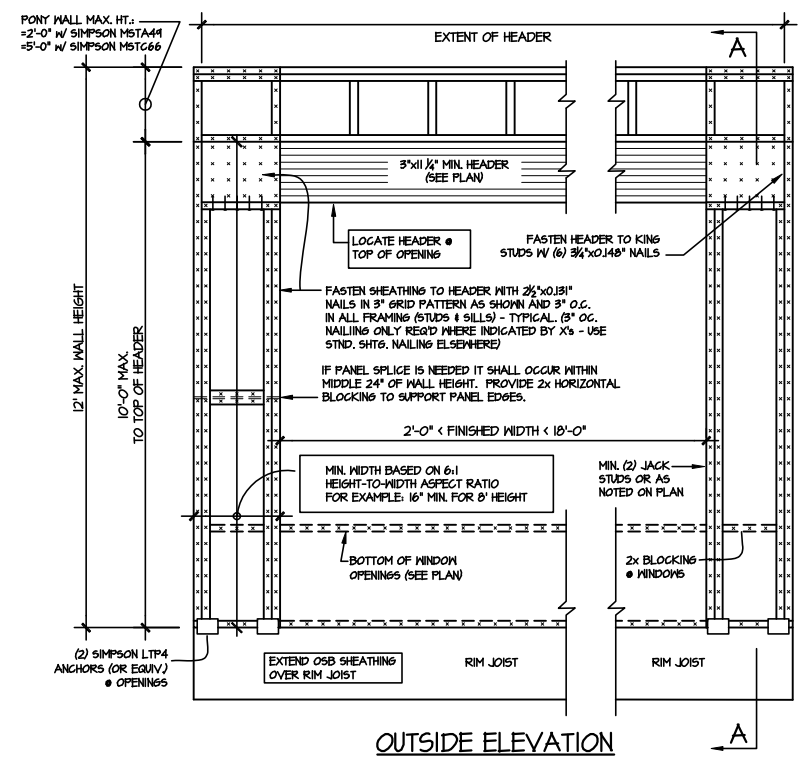
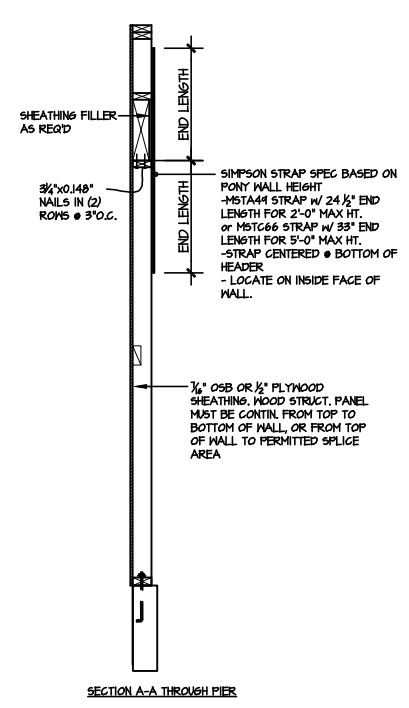
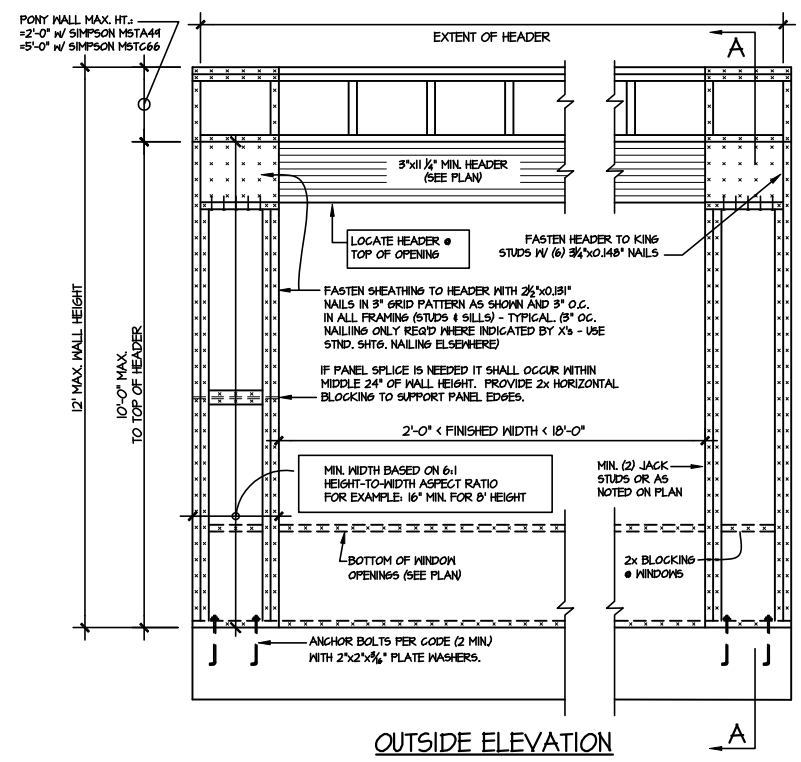
**MULHERN+KULF**  
RESIDENTIAL STRUCTURAL ENGINEERING  
300 Brookside Ave., Building 4 • Amber, PA 18002  
P 215-946-8001 • mulhern+kulf.com  
NC LIC. #C-3825

M&K project number:  
126-21011  
project mgr: JTR  
drawn by: MDH  
issue date: 06-25-21  
REVISIONS:  
date: initial



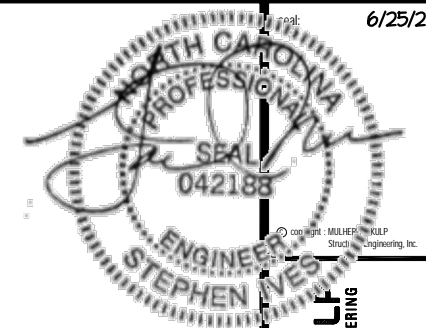
Framing Details  
CAMERON MODEL  
RALEIGH, NC

sheet:  
**SD2.3**

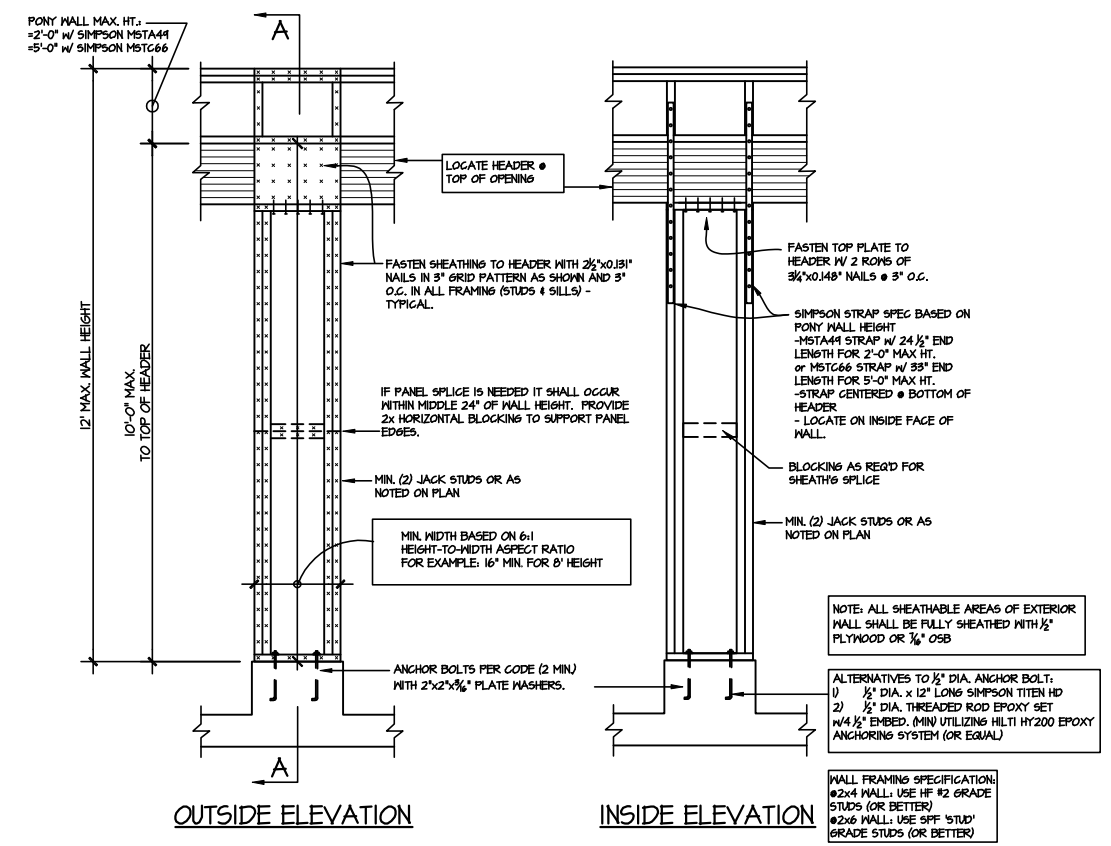


**IA DOOR/WINDOW PORTAL FRAME BRACING ELEV.**  
SCALE: N.T.S.  
BOTH SIDES OF OPENING  
SLAB CONDITION

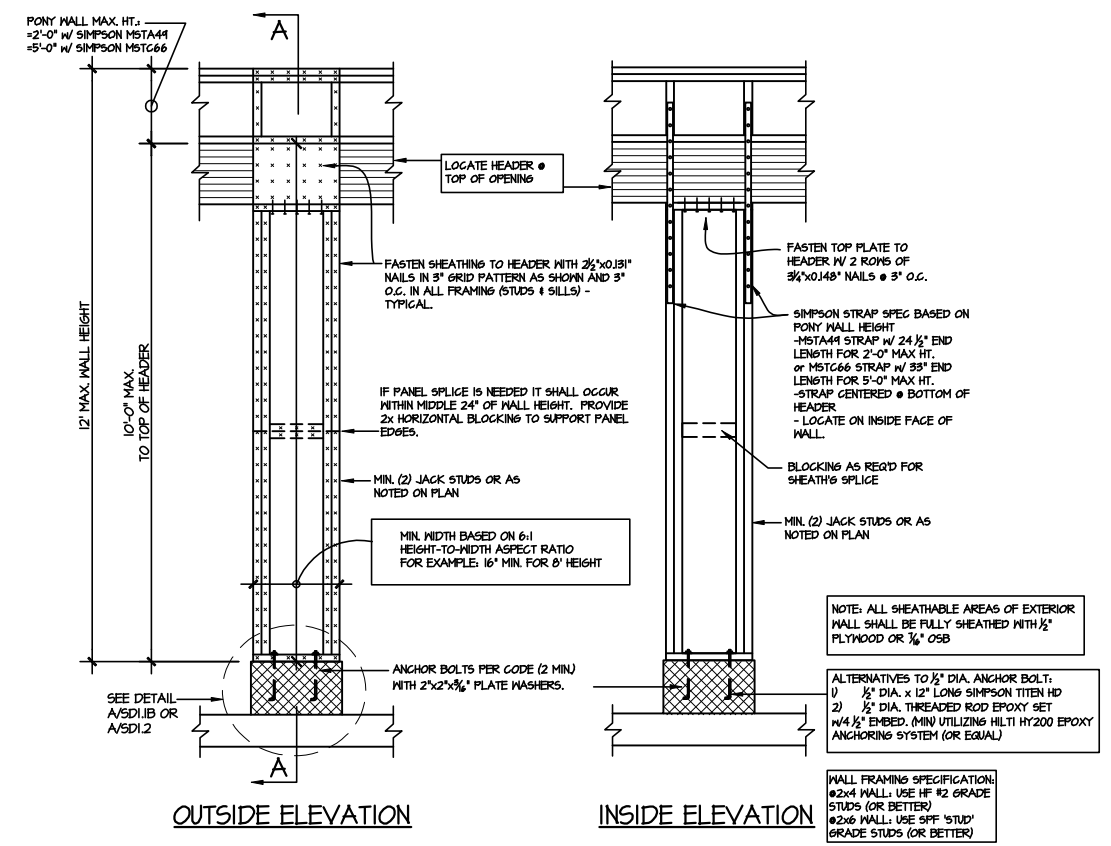
**IB DOOR/WINDOW PORTAL FRAME BRACING ELEV.**  
SCALE: N.T.S.  
BOTH SIDES OF OPENING  
CRAWL SPACE CONDITION



**MULHERN+KULF**  
RESIDENTIAL STRUCTURAL ENGINEERING  
300 Brookside Ave. Building 4 • Amber, PA 18002  
P 215-946-8001 • mulhern+kulp.com  
NC LIC. # C-3825



**IA GARAGE PORTAL FRAME BRACING ELEVATION**  
SCALE: N.T.S.      CENTER PIER BETWEEN 2 GARAGE DOORS  
CONCRETE STEM



**IB GARAGE PORTAL FRAME BRACING ELEVATION**  
SCALE: N.T.S.      CENTER PIER BETWEEN 2 GARAGE DOORS  
CMU STEM

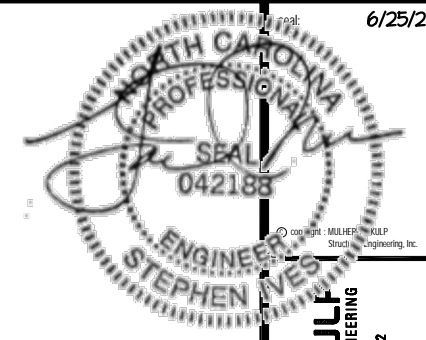
M&K project number: 126-21011

project mgr: JTR  
drawn by: MDH  
issue date: 06-25-21

REVISIONS:  
date: initial



Framing Details  
CAMERON MODEL  
RALEIGH, NC



**MULHERN+KULF**  
RESIDENTIAL STRUCTURAL ENGINEERING  
300 Brookside Ave. Building 4 • Arden, PA 18002  
P 215-946-8001 • mulhern+kulp.com  
NC LIC. #C-3825



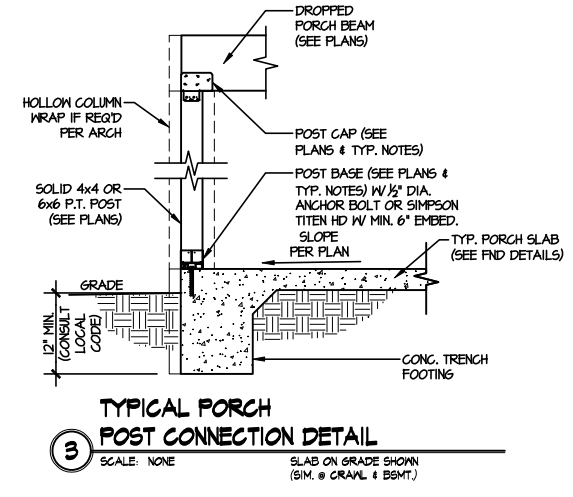
M&K project number:  
126-21011  
project mgr: JTR  
drawn by: MDH  
issue date: 06-25-21

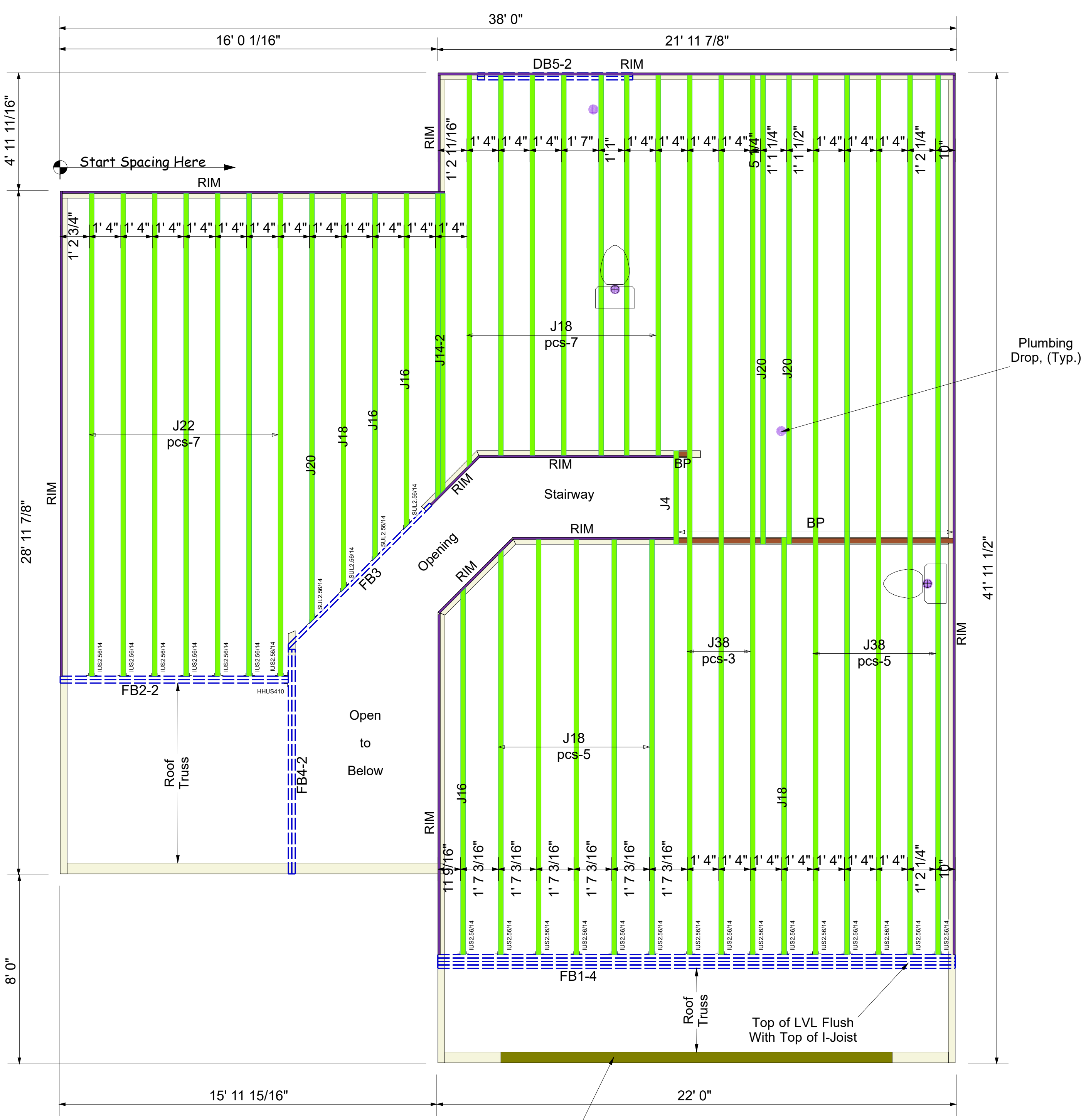
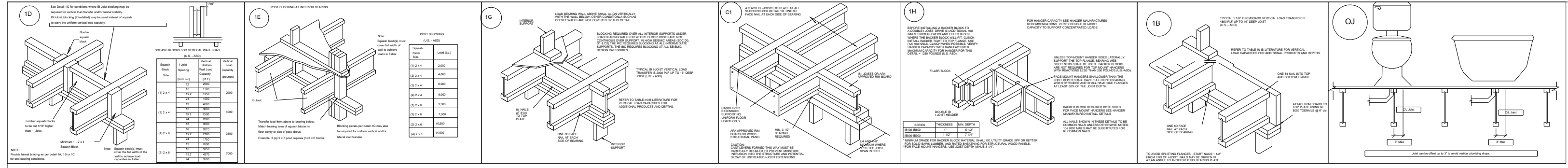
REVISIONS:  
date: initial:



Framing Detail s  
CAMERON MODEL  
RALEIGH, NC

sheet  
**SD3.0**





Connector Summary		
Qty	Manuf	Product
1	Simpson	HHUS410
22	Simpson	IUS2.56/14
4		SUL2.56/14

Products					
PlotID	Length	Product	Plies	Net Qty	Fab Type
J38	38' 0"	14" PJI-40	1	8	MFD
J22	22' 0"	14" PJI-40	1	7	MFD
J20	20' 0"	14" PJI-40	1	3	MFD
J18	18' 0"	14" PJI-40	1	14	MFD
J16	16' 0"	14" PJI-40	1	3	MFD
J14-2	14' 0"	14" PJI-40	2	2	MFD
J4	4' 0"	14" PJI-40	1	1	FF
DB5-2	8' 0"	2.0 RigidLam DF LVL 1-3/4 x 9-1/4	2	2	FF
FB3	10' 0"	2.0 RigidLam DF LVL 1-3/4 x 14	1	1	FF
FB2-2	10' 0"	2.0 RigidLam DF LVL 1-3/4 x 14	2	2	FF
FB4-2	10' 0"	2.0 RigidLam DF LVL 1-3/4 x 14	2	2	FF
FB1-4	22' 0"	2.0 RigidLam DF LVL 1-3/4 x 18	4	4	FF
RIM	12' 0"	1 1/8" x 14" APA Rim Board	1	12	FF
BP	2' 0"	14" PJI-40	1	5	FF

BLOCK SOLID UNDER ALL POST /POINT LOADS FROM ABOVE - TYPICAL AT ALL LOCATIONS

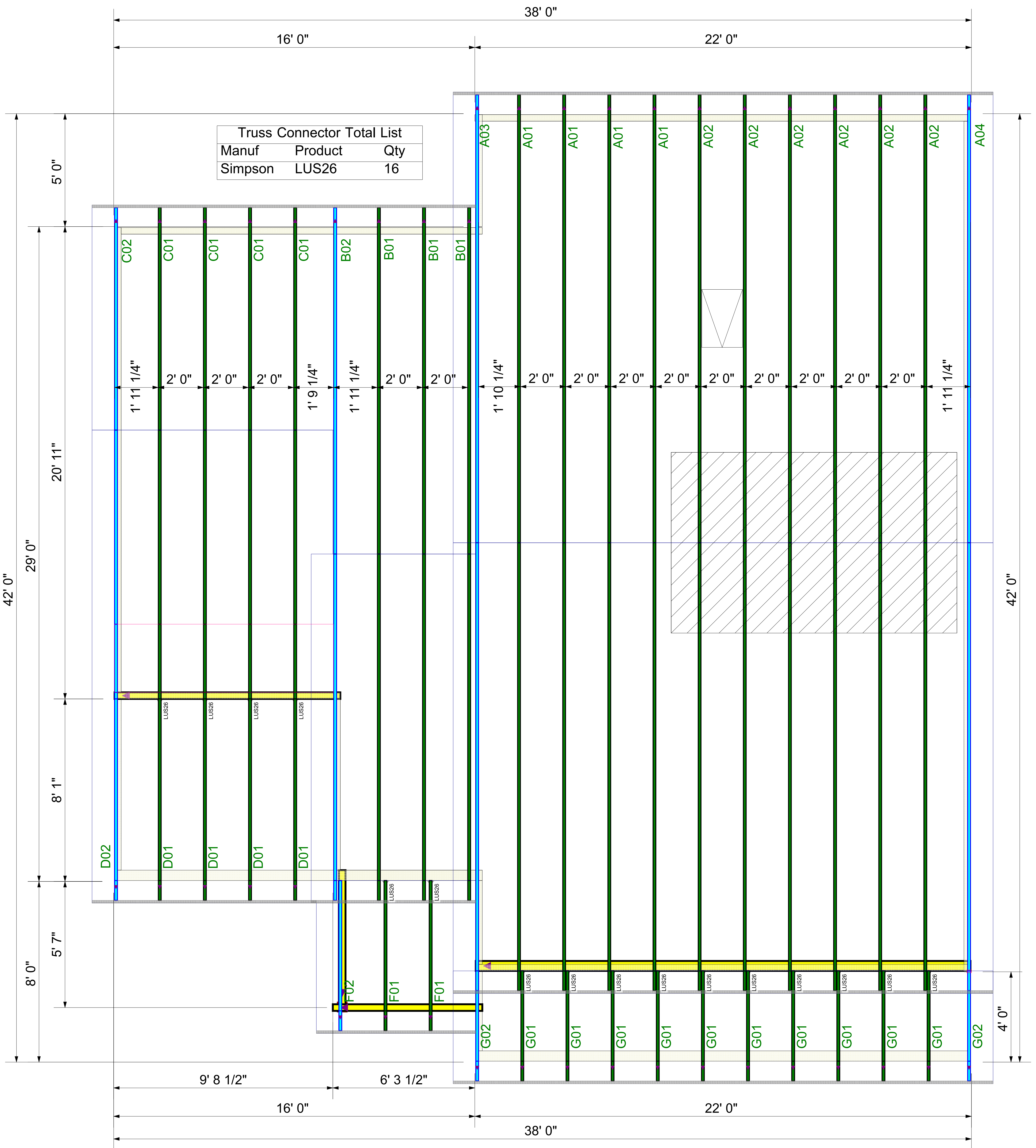
**2nd Floor I-Joist**  
DRAWING SCALE : NTS

PROJECT NUMBER	REVISIONS	
<b>22040083</b>	DATE	BY
SHEET NUMBER	04.25.22	RKW
<b>1 / 1</b>		

**Dan Ryan Builders**  
122 Farm at Neills Creek (Cameron 1-GRFE)  
2nd FLOOR I-JOIST PLACEMENT PLAN

**Kempsville**  
Building Materials  
A Division of the Carter Lumber Company





**ROOF LAYOUT**  
DRAWING SCALE : NTS

PROJECT NUMBER <b>22040083</b>
SHEET NUMBER <b>1 / 1</b>

REVISIONS	
DATE	BY
4-22-22	ND

<b>DRB GROUP</b>
<b>CAMERON 1 - 122 FARM AT NEILLS CREEK</b>
<b>ROOF TRUSS LAYOUT</b>

