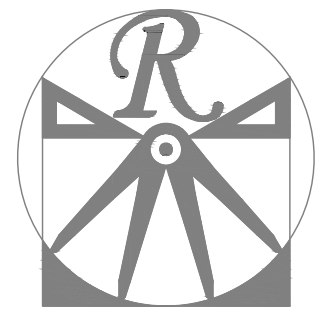


PLANS DESIGNED TO THE  
2018 NORTH CAROLINA STATE  
RESIDENTIAL BUILDING CODE.

LOT 2 MCPHAIL FARM  
606 HAYES RD  
SPRING LAKE, NC 28390

- GENERAL NOTES
1. ALL WORK SHALL BE PERFORMED IN ACCORDANCE WITH ALL APPLICABLE NATIONAL, STATE, AND LOCAL CODES AND REGULATIONS.
  2. CONTRACTOR SHALL THOROUGHLY REVIEW ALL SHEETS IN PLAN SET AND VERIFY ALL DETAILS AND DIMENSIONS BEFORE BEGINNING CONSTRUCTION. ANY DISCREPANCIES SHALL BE REPORTED TO RENAISSANCE RESIDENTIAL DESIGN, INC. FOR JUSTIFICATION AND/OR CORRECTION BEFORE PROCEEDING WITH WORK. CONTRACTORS SHALL ASSUME RESPONSIBILITY FOR ERRORS THAT ARE NOT REPORTED PRIOR TO CONSTRUCTION.
  3. ALL DIMENSIONS SHOULD BE READ OR CALCULATED AND NEVER SCALED.
  4. CONTRACTOR SHALL ENSURE COMPATIBILITY OF THE BUILDING WITH ALL SITE REQUIREMENTS.

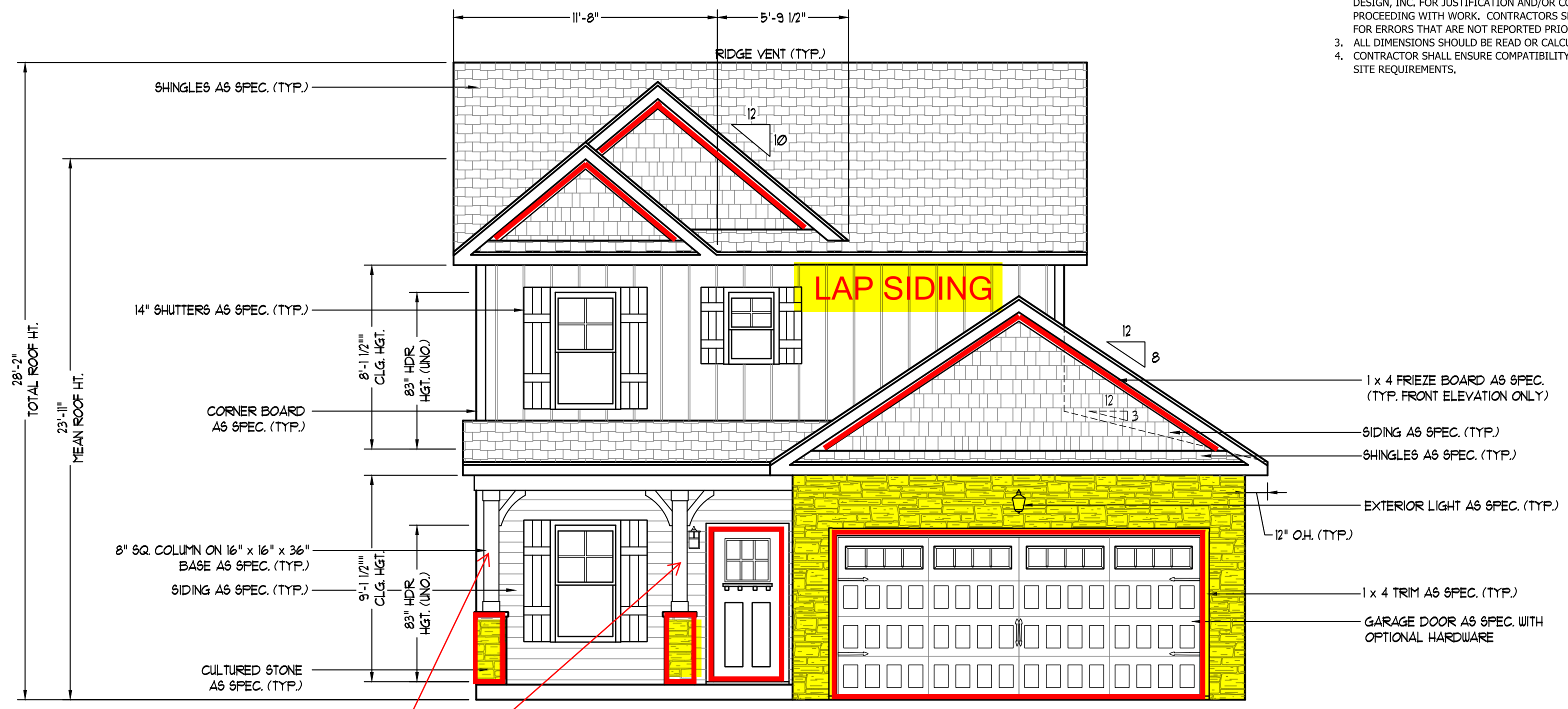


**RENAISSANCE**  
RESIDENTIAL DESIGN, INC.  
RALEIGH, NC 27612  
(919) 649-4128  
WWW.RRDCAROLINA.COM  
The art of transforming your vision into reality.

RENAISSANCE RESIDENTIAL DESIGN, INC. RESERVES THE RIGHT TO MAKE MODIFICATIONS TO FLOOR PLANS, DIMENSIONS, MATERIALS, AND SPECIFICATIONS WITHOUT NOTICE. THESE DRAWINGS ARE FOR THE PURPOSE OF CONVEYING AN ARCHITECTURAL CONCEPT ONLY. RENAISSANCE RESIDENTIAL DESIGN, INC. HEREBY EXPRESSLY RESERVES ITS COMMON LAW COPYRIGHT AND OTHER PROPERTY RIGHTS IN THESE PLANS. THESE PLANS AND DRAWINGS ARE NOT TO BE REPRODUCED, CHANGED, OR COPIED IN ANY FORM OR MANNER WITHOUT FIRST OBTAINING THE EXPRESS WRITTEN CONSENT OF RENAISSANCE RESIDENTIAL DESIGN, INC. NOR ARE THEY TO BE ASSIGNED TO ANY THIRD PARTY WITHOUT FIRST OBTAINING SAID WRITTEN PERMISSION AND CONSENT.

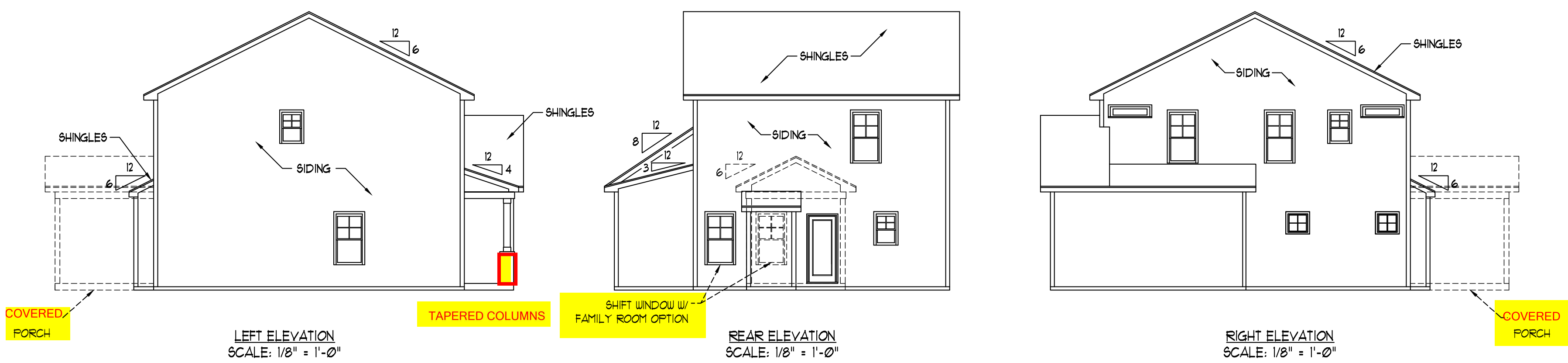
**WEAVER**  
HOMES  
350 Weaver Drive • Fayetteville, NC 28303  
910.630.2100 • 800.892.2100  
www.weaver-homes.com

PRICES, PROMOTIONS, INCENTIVES, FEATURES, OPTIONS, FLOOR PLANS, ELEVATIONS, DESIGNS, MATERIALS AND FINISHES ARE SUBJECT TO CHANGE WITHOUT NOTICE. SQUARE FOOTAGE AND DIMENSIONS ARE ESTIMATED AND MAY VARY IN ACTUAL CONSTRUCTION. ACTUAL POSITION OF HOUSE ON LOT WILL BE DETERMINED BY THE SITE PLAN AND SURVEY. THESE PLANS AND DRAWINGS ARE THE PROPERTY OF WEAVER HOMES. ANY USE, REPRODUCTION, OR MODIFICATION OF THESE PLANS WITHOUT THE WRITTEN PERMISSION OF WEAVER HOMES IS PROHIBITED. SEE US AT THE SALES CENTER FOR CURRENT DETAILS. COPYRIGHT © 2020 WEAVER HOMES



**FRONT ELEVATION-C**  
SCALE: 1/4" = 1'-0"

PLUMBING: DOUBLE J  
ELECTRICAL: PIONEER  
HVAC: CENTRAL AIR



**LEFT ELEVATION**  
SCALE: 1/8" = 1'-0"

**REAR ELEVATION**  
SCALE: 1/8" = 1'-0"

**RIGHT ELEVATION**  
SCALE: 1/8" = 1'-0"

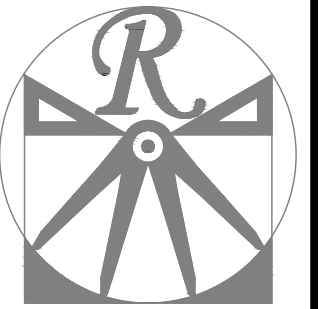
SCALE NOTE: 18x24 PRINTS ARE TO SCALE AS NOTED.  
11x17 PRINTS ARE NOT TO SCALE

**WEAVER HOMES**  
CAROLINA COLLECTION  
MAGNOLIA-II

DATE: FEBRUARY 19, 2021  
REV.:  
SCALE: 1/4" = 1'-0"  
DRAWN BY: WG  
ENGINEERED BY:  
REVIEWED BY:

C - ELEVATIONS  
**A-3**

SQUARE FOOTAGE (I.F.S.)	
1st FLOOR:	581 SQ. FT.
2nd FLOOR:	141 SQ. FT.
TOTAL:	1328 SQ. FT.
GARAGE:	398 SQ. FT.
FRONT PORCH (ELEV.-A4C):	10 SQ. FT.
FRONT PORCH (ELEV.-B):	25 SQ. FT.
STD. REAR PATIO:	100 SQ. FT.
OPT. REAR PORCH:	100 SQ. FT.



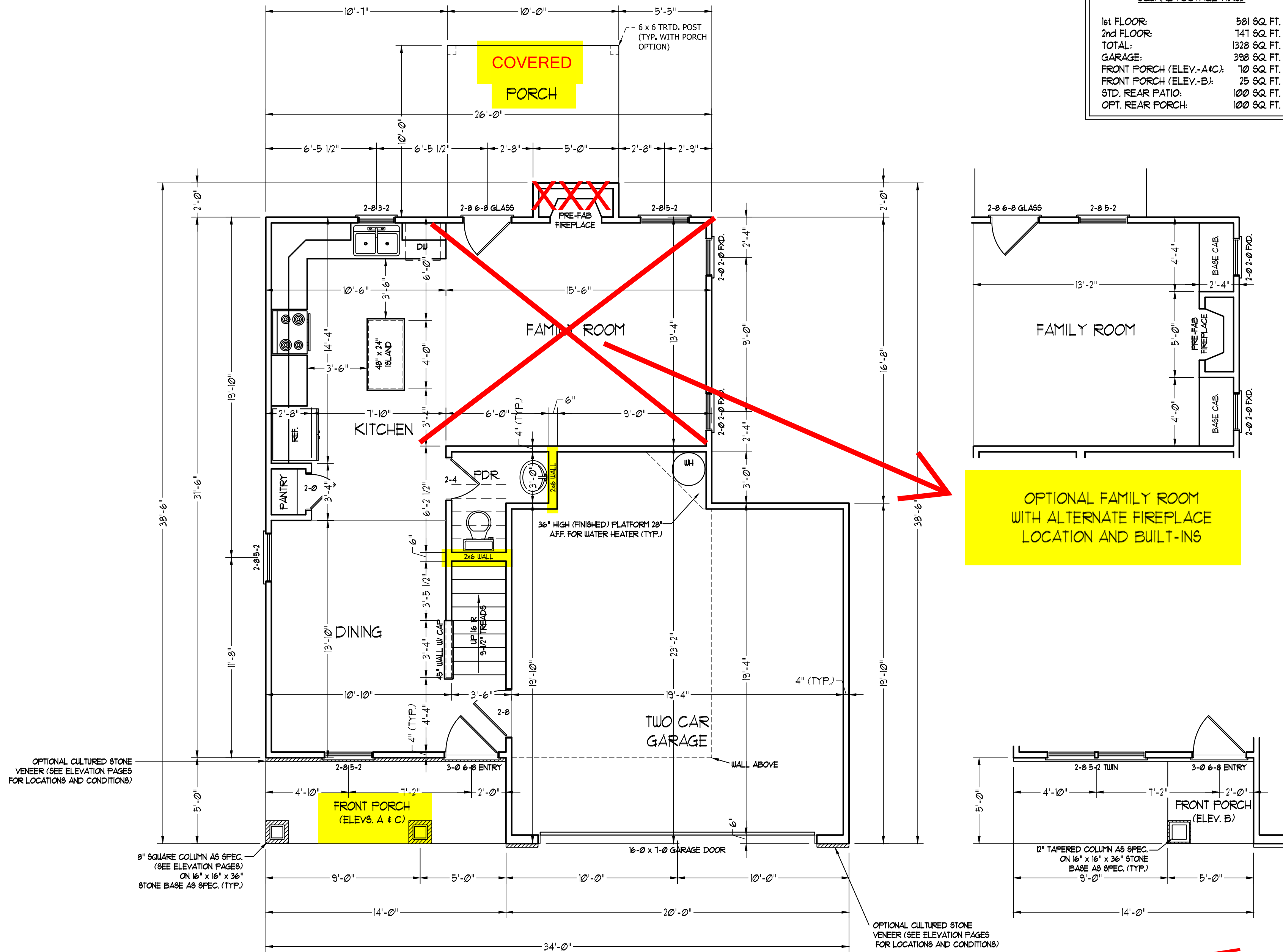
**RENAISSANCE**  
RESIDENTIAL DESIGN, INC.  
RALEIGH, NC 27612  
(919) 649-4128  
WWW.RRD-CAROLINA.COM

The art of transforming your vision into reality.  
RENAISSANCE RESIDENTIAL DESIGN, INC. RESERVES THE RIGHT TO MAKE MODIFICATIONS TO FLOOR PLANS, DIMENSIONS, MATERIALS, AND SPECIFICATIONS WITHOUT NOTICE. THESE PLANS AND DRAWINGS ARE NOT TO BE REPRODUCED, CHANGED, OR COPIED IN ANY FORM OR MANNER WITHOUT FIRST OBTAINING THE EXPRESS WRITTEN CONSENT OF RENAISSANCE RESIDENTIAL DESIGN, INC. NOR ARE THEY TO BE ASSIGNED TO ANY THIRD PARTY WITHOUT FIRST OBTAINING SAID WRITTEN PERMISSION AND CONSENT.

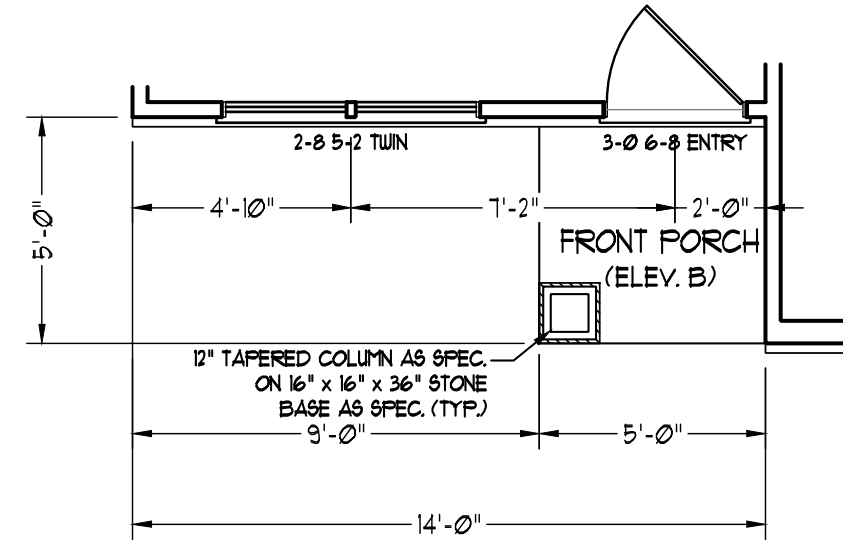
RENAISSANCE RESIDENTIAL DESIGN, INC. HEREBY EXPRESSLY RESERVES ITS COMMON LAW COPYRIGHT AND OTHER PROPERTY RIGHTS IN THESE PLANS. THESE PLANS AND DRAWINGS ARE NOT TO BE REPRODUCED, CHANGED, OR COPIED IN ANY FORM OR MANNER WITHOUT FIRST OBTAINING THE EXPRESS WRITTEN CONSENT OF RENAISSANCE RESIDENTIAL DESIGN, INC. NOR ARE THEY TO BE ASSIGNED TO ANY THIRD PARTY WITHOUT FIRST OBTAINING SAID WRITTEN PERMISSION AND CONSENT.

**WEAVER**  
**HOMES**  
350 Weaver Drive • Fayetteville, NC 28303  
910.650.2100 • 800.892.2190  
www.weaver-homes.com

PRICES, PROMOTIONS, INCENTIVES, FEATURES, OPTIONS, FLOOR PLANS, ELEVATIONS, DESIGNS, MATERIALS AND FINISHES ARE SUBJECT TO CHANGE WITHOUT NOTICE. SQUARE FOOTAGE AND DIMENSIONS ARE ESTIMATED AND MAY VARY IN ACTUAL CONSTRUCTION. ACTUAL POSITION OF HOUSE ON LOT WILL BE DETERMINED BY THE SITE PLAN AND SURVEY. ARTIST'S CONCEPTIONS. FLOOR PLANS ARE THE COPYRIGHTED PROPERTY OF WEAVER HOMES. ANY USE, REPRODUCTION, MODIFICATION, OR DISTRIBUTION OF THESE PLANS IS PROHIBITED. SEE WEBSITE FOR CURRENT LISTINGS AND CONTACT INFORMATION FOR CURRENT DETAILS. COPYRIGHT © 2020 WEAVER HOMES



**OPTIONAL FAMILY ROOM WITH ALTERNATE FIREPLACE LOCATION AND BUILT-INS**



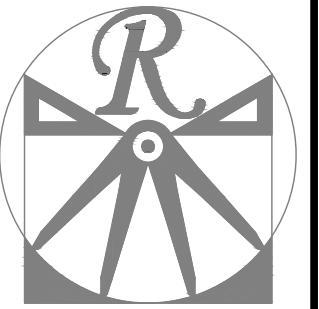
~~FRONT PORCH AND DINING ROOM WINDOW ELEVATION B~~

SCALE NOTE: 18x24 PRINTS ARE TO SCALE AS NOTED.  
**11x17 PRINTS ARE NOT TO SCALE**

**WEAVER HOMES**  
**CAROLINA COLLECTION**  
**MAGNOLIA-II**

DATE: FEBRUARY 19, 2021  
REV.:  
SCALE: 1/4" = 1'-0"  
DRAWN BY: WG  
ENGINEERED BY:  
REVIEWED BY:

FIRST FLOOR PLAN  
**A-4**



**RENAISSANCE**  
RESIDENTIAL DESIGN, INC.

RALEIGH, NC 27612  
(919) 649-4128  
WWW.RRD-CAROLINA.COM

The art of transforming your vision into reality.  
RENAISSANCE RESIDENTIAL DESIGN, INC. RESERVES THE RIGHT TO MAKE MODIFICATIONS TO FLOOR PLANS, DIMENSIONS, MATERIALS, AND SPECIFICATIONS WITHOUT NOTICE. THESE DRAWINGS ARE FOR THE PURPOSE OF CONVEYING AN ARCHITECTURAL CONCEPT ONLY.

RENAISSANCE RESIDENTIAL DESIGN, INC. HEREBY EXPRESSLY RESERVES ITS COMMON LAW COPYRIGHT AND OTHER PROPERTY RIGHTS IN THESE PLANS. THESE PLANS AND DRAWINGS ARE NOT TO BE REPRODUCED, CHANGED, OR COPIED IN ANY FORM OR MANNER WITHOUT FIRST OBTAINING THE EXPRESS WRITTEN CONSENT OF RENAISSANCE RESIDENTIAL DESIGN, INC. NOR ARE THEY TO BE ASSIGNED TO ANY THIRD PARTY WITHOUT FIRST OBTAINING SAID WRITTEN PERMISSION AND CONSENT.

**WEAVER**  
HOMES  
350 Weaver Drive • Fayetteville, NC 28303  
910.630.2100 • 800.892.2100  
www.weaver-homes.com

PRICES, PROMOTIONS, INCENTIVES, FEATURES, OPTIONS, FLOOR PLANS, ELEVATIONS, DESIGNS, MATERIALS AND FINISHES ARE SUBJECT TO CHANGE WITHOUT NOTICE. SQUARE FOOTAGE AND DIMENSIONS ARE ESTIMATED AND MAY VARY IN ACTUAL CONSTRUCTION. ACTUAL POSITION OF HOUSE ON LOT WILL BE DETERMINED BY THE SITE PLAN AND SURVEY. THESE DRAWINGS ARE THE PROPERTY OF WEAVER HOMES. ANY USE, REPRODUCTION, OR MODIFICATION OF THESE DRAWINGS IS PROHIBITED. SEE BACKSHEET FOR CURRENT DETAILS. COPYRIGHT © 2020 WEAVER HOMES

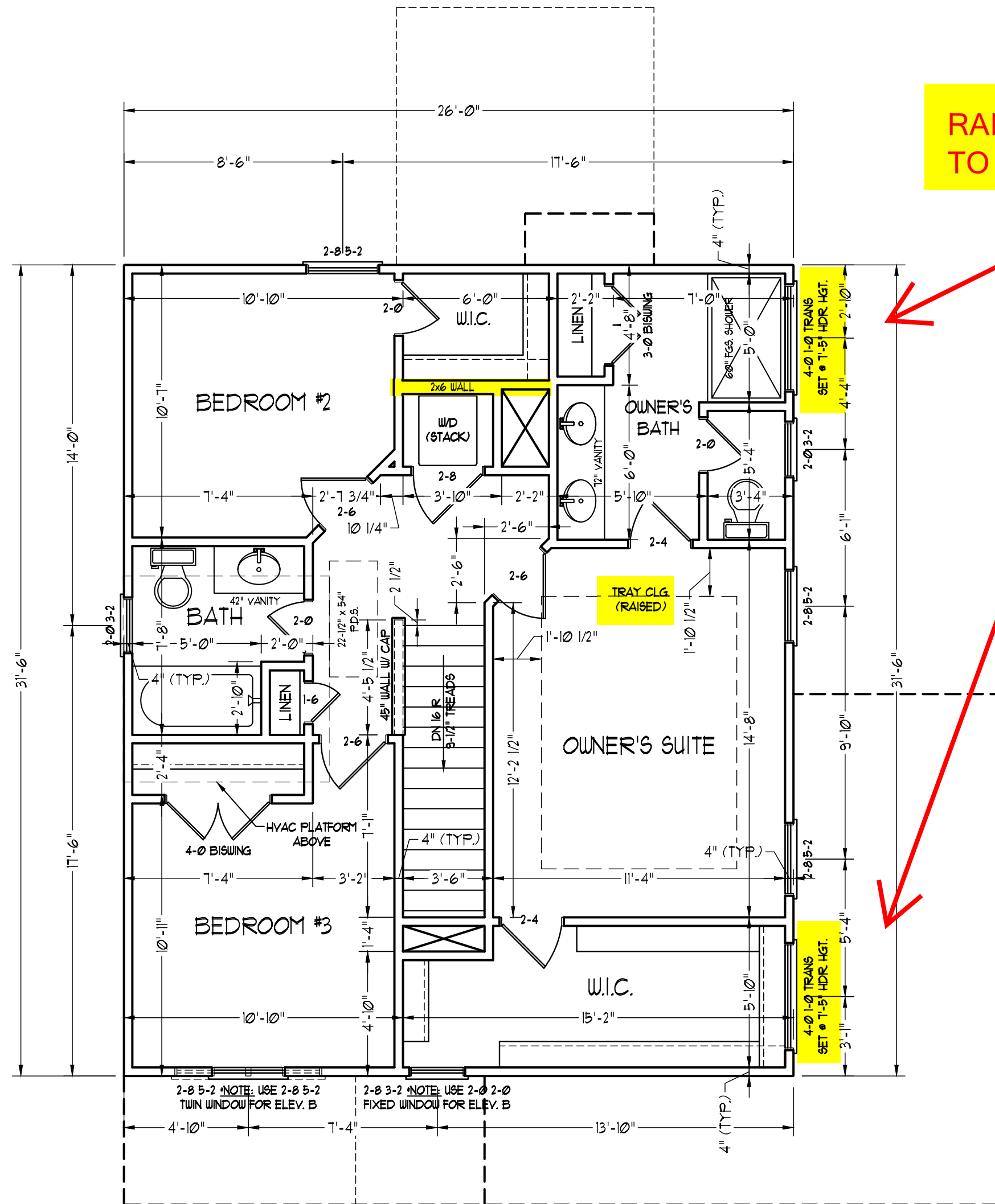
**WEAVER HOMES**  
CAROLINA COLLECTION  
MAGNOLIA-II

DATE: FEBRUARY 19, 2021  
REV.:  
SCALE: 1/4" = 1'-0"  
DRAWN BY: WG  
ENGINEERED BY:  
REVIEWED BY:

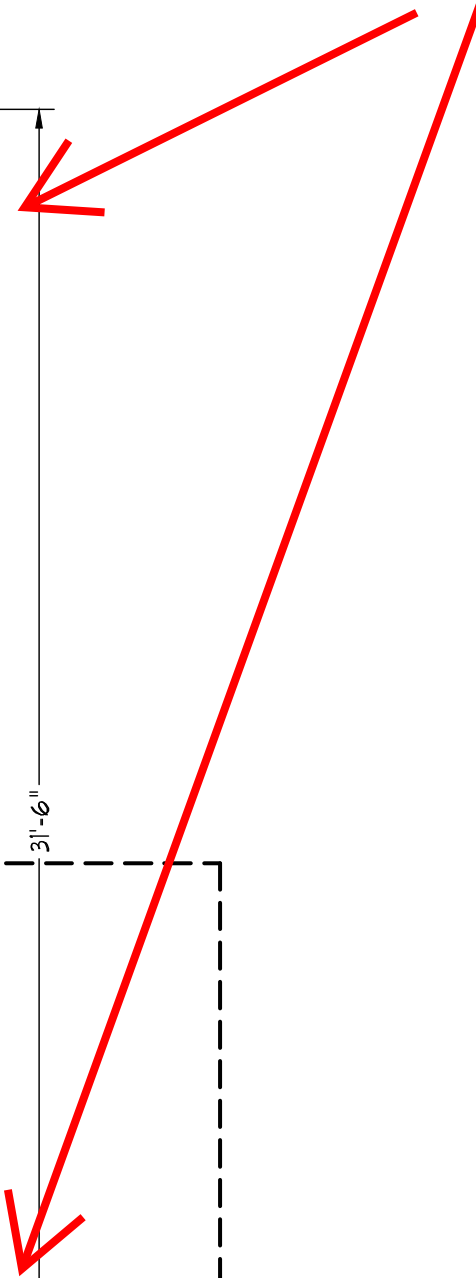
SECOND FLOOR  
PLAN

**A-5**

SCALE NOTE: 18x24 PRINTS ARE TO SCALE AS NOTED.  
**11x17 PRINTS ARE NOT TO SCALE**



**RAISE HEADER TO TOP PLATE**



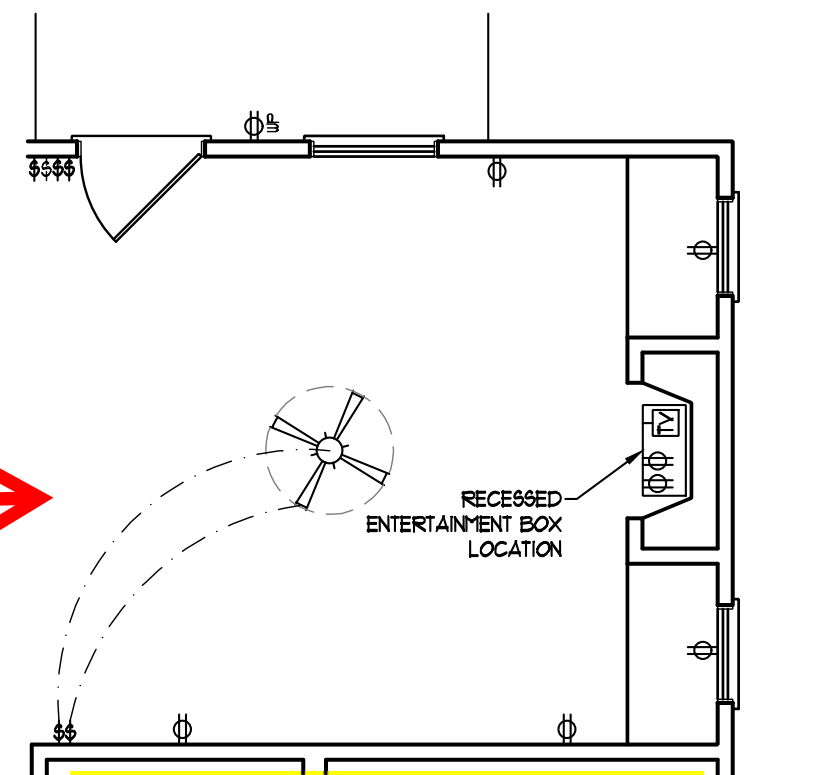
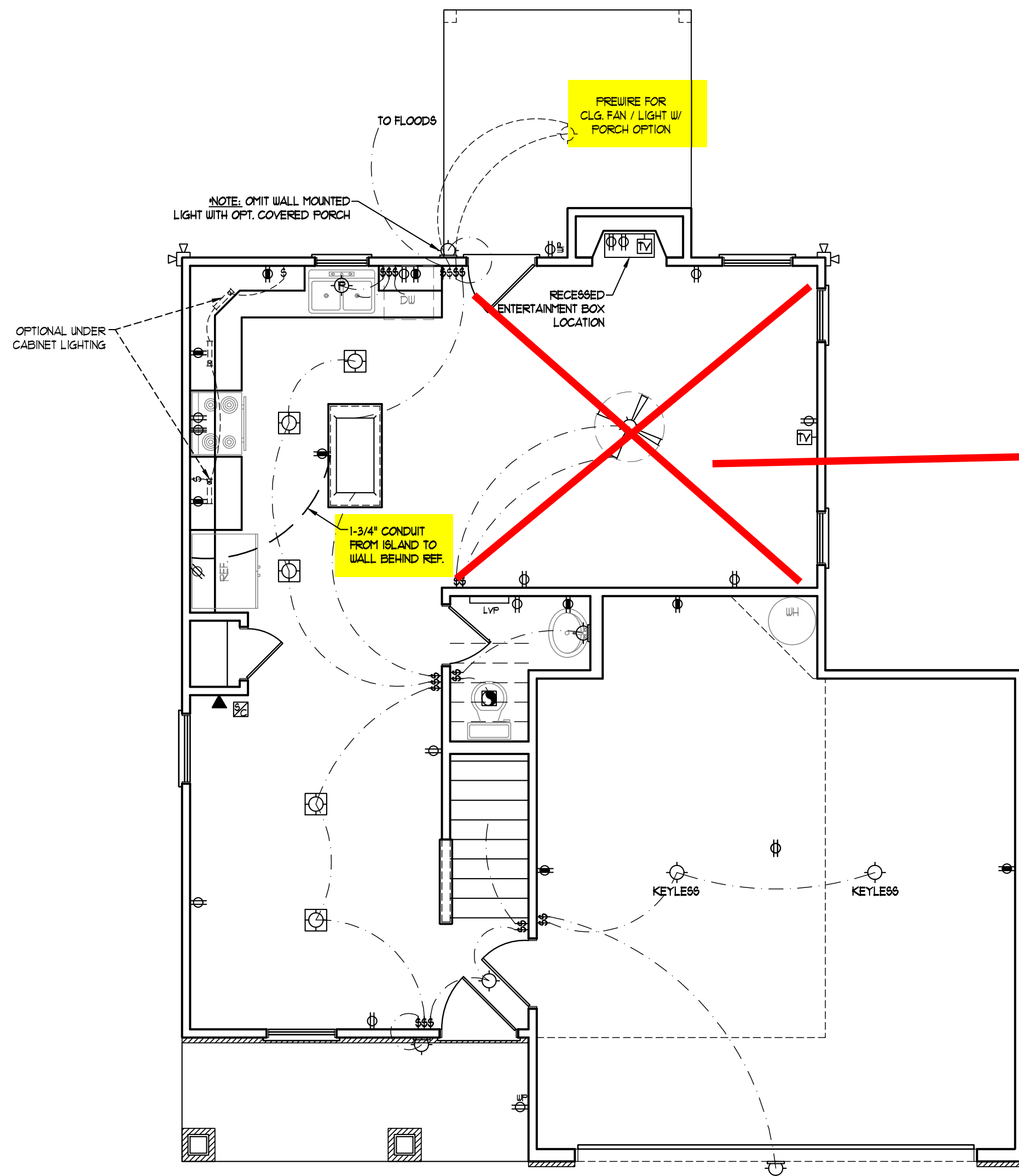


**ELECTRICAL LAYOUT NOTES:**

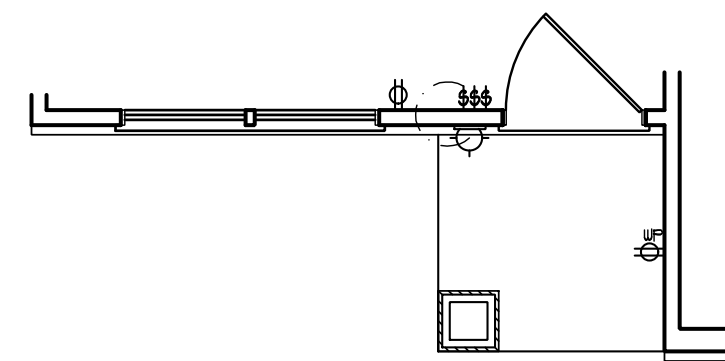
- 1) BLOCK AND WIRE FOR ALL CEILING FANS PER PLAN.
- 2) VANITY LIGHTS TO BE SET @ 90° AFF. (TYP.)
- 3) ADDITIONAL EXTERIOR OUTLETS REQUIRED BY CODE TO BE LOCATED BY ELECTRICIAN.
- 4) PLACE SWITCHES 8" (MIN) FROM ROUGH OPENINGS.

**ELECTRICAL LEGEND**

- 110 V OUTLET
- 110 V GFI OUTLET
- 110 V SWITCHED OUTLET
- 110 V BASEBOARD OUTLET
- 4-FLEX
- COUNTER OR FLOOR MOUNTED
- WEATHERPROOF
- 220 V OUTLET
- 110 V DEDICATED CIRCUIT
- 220 V DEDICATED CIRCUIT
- SPECIAL PURPOSE (240 V, ETC.)
- WALL MOUNT LIGHT
- CEILING MOUNT LIGHT
- PENDANT LIGHT
- RECESSED CAN LIGHT
- MINI CAN LIGHT
- EYEBALL LIGHT
- FLUORESCENT LIGHT
- UNDERCABINET LIGHT
- FLOOD LIGHT
- SWITCH
- DIMMER SWITCH
- TELEPHONE
- DATA
- TELEPHONE AND DATA
- TV CONNECTION
- TV/ DATA
- CONDUIT FOR COMPONENT WIRING
- SPEAKER
- 110 V SMOKE/ CO DETECTOR
- 110 V SMOKE DETECTOR
- EXHAUST FAN
- LOW VOLTAGE PANEL
- ALARM PANEL
- CEILING FAN
- CEILING FAN W/ LIGHT

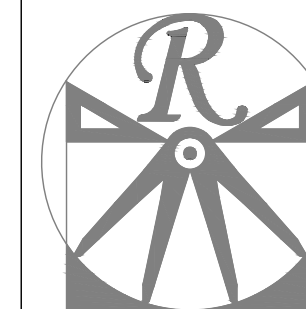


OPTIONAL FAMILY ROOM  
WITH ALTERNATE FIREPLACE  
LOCATION AND BUILT-INS



~~FRONT PORCH AND DINING  
ROOM WINDOW ELEVATION B~~

SCALE NOTE: 18x24 PRINTS ARE  
TO SCALE AS NOTED.  
**11x17 PRINTS ARE NOT TO SCALE**



**RENAISSANCE**  
RESIDENTIAL DESIGN, INC.

RALEIGH, NC 27612  
(919) 649-4128  
WWW.RRDCAROLINA.COM

The art of transforming your vision into reality.  
RENAISSANCE RESIDENTIAL DESIGN, INC.,  
RESERVES THE RIGHT TO MAKE  
MODIFICATIONS TO FLOOR PLANS,  
DIMENSIONS, MATERIALS, AND  
SPECIFICATIONS WITHOUT NOTICE.  
THESE DRAWINGS ARE FOR THE  
PURPOSE OF CONVEYING AN  
ARCHITECTURAL CONCEPT ONLY.

RENAISSANCE RESIDENTIAL DESIGN, INC.,  
HEREBY EXPRESSLY RESERVES ITS  
COMMON LAW COPYRIGHT AND OTHER  
PROPERTY RIGHTS IN THESE PLANS.  
THESE PLANS AND DRAWINGS ARE NOT  
TO BE REPRODUCED, CHANGED, OR  
COPIED IN ANY FORM OR MANNER  
WITHOUT FIRST OBTAINING THE EXPRESS  
WRITTEN CONSENT OF RENAISSANCE  
RESIDENTIAL DESIGN, INC., NOR ARE  
THEY TO BE ASSIGNED TO ANY THIRD  
PARTY WITHOUT FIRST OBTAINING SAID  
WRITTEN PERMISSION AND CONSENT.

**WEAVER**  
**HOMES**  
350 Weaver Drive • Fayetteville, NC 28303  
910.630.2100 • 800.892.2100  
www.weaver-homes.com

PRICES, PROMOTIONS, INCENTIVES, FEATURES, OPTIONS,  
FLOOR PLANS, ELEVATIONS, MATERIALS, FINISHES,  
DIMENSIONS, AND DIMENSIONS ARE ESTIMATED AND  
MAY VARY IN ACTUAL CONSTRUCTION. ACTUAL POSITION OF  
HOUSE ON LOT WILL BE DETERMINED BY THE SITE PLAN AND  
ARTIST'S CONCEPTIONS. FLOOR PLANS ARE THE COPYRIGHTED  
PROPERTY OF WEAVER HOMES. ANY USE, REPRODUCTION,  
MODIFICATION, OR ALTERATION OF THESE PLANS IS  
PROHIBITED. SEE WEBSITE FOR ALIENATION STATEMENT FOR  
CURRENT DETAILS. COPYRIGHT © 2020 WEAVER HOMES

**WEAVER HOMES**  
**CAROLINA COLLECTION**  
**MAGNOLIA-II**

DATE: FEBRUARY 19, 2021

REV.:

SCALE: 1/4" = 1'-0"

DRAWN BY: WG

ENGINEERED BY:

REVIEWED BY:

FIRST FLOOR  
ELECTRICAL  
PLAN

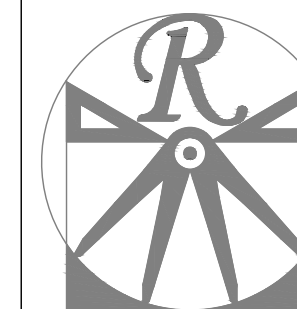
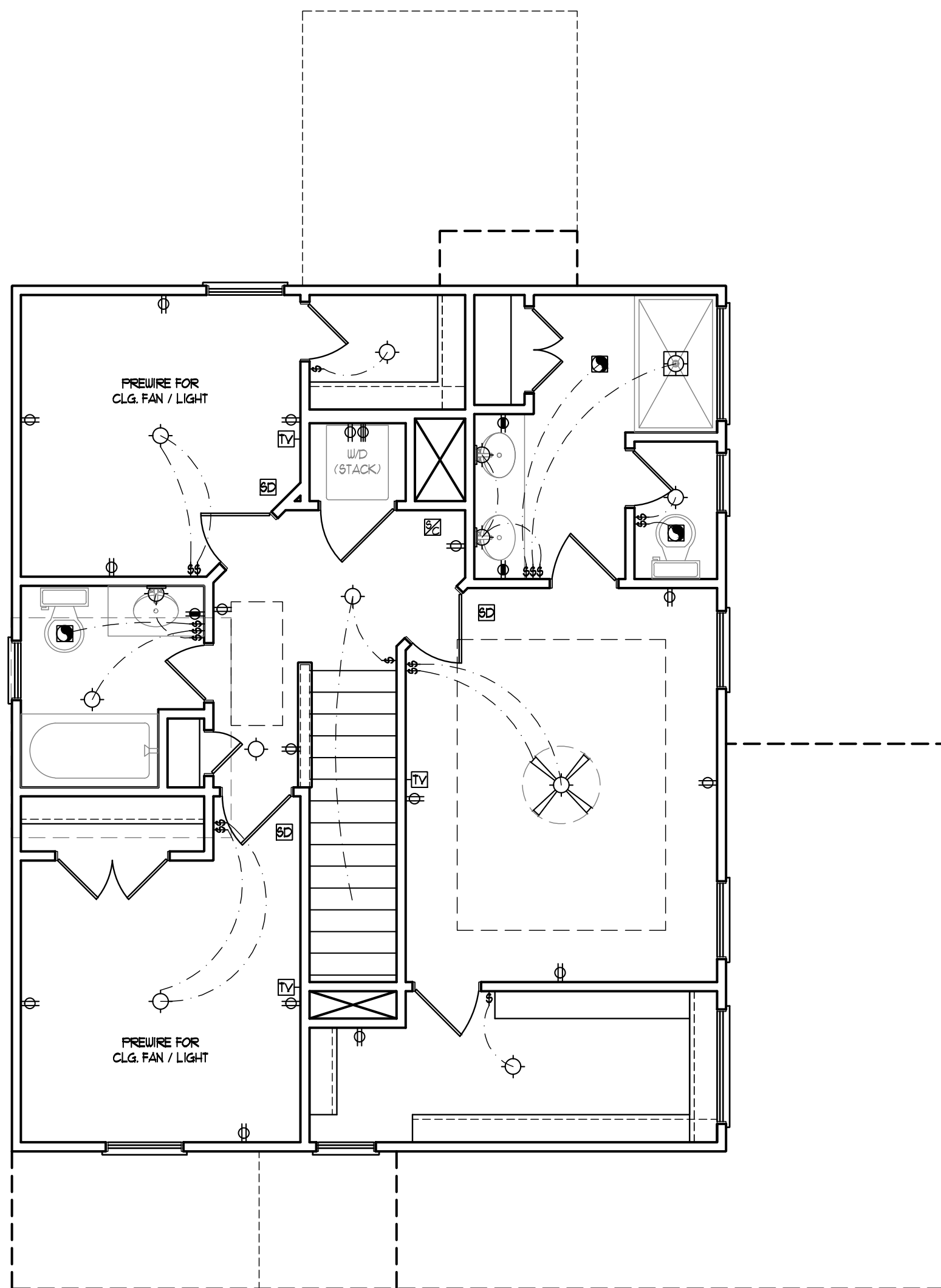
**E-1**

**ELECTRICAL LAYOUT NOTES:**

- 1) BLOCK AND WIRE FOR ALL CEILING FANS PER PLAN.
- 2) VANITY LIGHTS TO BE SET @ 90° AFF. (TYP.)
- 3) ADDITIONAL EXTERIOR OUTLETS REQUIRED BY CODE TO BE LOCATED BY ELECTRICIAN.
- 4) PLACE SWITCHES 8" (MIN.) FROM ROUGH OPENINGS.

**ELECTRICAL LEGEND**

- 110 V OUTLET
- 110 V GFI OUTLET
- 110 V SWITCHED OUTLET
- 110 V BASEBOARD OUTLET
- 4-FLEX
- COUNTER OR FLOOR MOUNTED
- WEATHERPROOF
- 220 V OUTLET
- 110 V DEDICATED CIRCUIT
- 220 V DEDICATED CIRCUIT
- SPECIAL PURPOSE (240 V, ETC.)
- WALL MOUNT LIGHT
- CEILING MOUNT LIGHT
- PENDANT LIGHT
- RECESSED CAN LIGHT
- MINI CAN LIGHT
- EYEBALL LIGHT
- FLUORESCENT LIGHT
- UNDERCABINET LIGHT
- FLOOD LIGHT
- SWITCH
- DIMMER SWITCH
- TELEPHONE
- DATA
- TELEPHONE AND DATA
- TV CONNECTION
- TV/ DATA
- CONDUIT FOR COMPONENT WIRING
- SPEAKER
- 110 V SMOKE/ CO DETECTOR
- 110 V SMOKE DETECTOR
- EXHAUST FAN
- LOW VOLTAGE PANEL
- ALARM PANEL
- CEILING FAN
- CEILING FAN W/ LIGHT



**RENAISSANCE**  
RESIDENTIAL DESIGN, INC.

RALEIGH, NC 27612  
(919) 649-4128

WWW.RRD-CAROLINA.COM

The art of transforming your vision into reality.

RENAISSANCE RESIDENTIAL DESIGN, INC. RESERVES THE RIGHT TO MAKE MODIFICATIONS TO FLOOR PLANS, DIMENSIONS, MATERIALS, AND SPECIFICATIONS WITHOUT NOTICE. THESE DRAWINGS ARE FOR THE PURPOSE OF CONVEYING AN ARCHITECTURAL CONCEPT ONLY.

RENAISSANCE RESIDENTIAL DESIGN, INC. HEREBY EXPRESSLY RESERVES ITS COMMON LAW COPYRIGHT AND OTHER PROPERTY RIGHTS IN THESE PLANS. THESE PLANS AND DRAWINGS ARE NOT TO BE REPRODUCED, CHANGED, OR COPIED IN ANY FORM OR MANNER WITHOUT FIRST OBTAINING THE EXPRESS WRITTEN CONSENT OF RENAISSANCE RESIDENTIAL DESIGN, INC. NOR ARE THEY TO BE ASSIGNED TO ANY THIRD PARTY WITHOUT FIRST OBTAINING SAID WRITTEN PERMISSION AND CONSENT.

**WEAVER**  
**HOMES**  
350 Weaver Drive • Fayetteville, NC 28303  
910.630.2100 • 800.892.2100  
www.weaver-homes.com

PRICES, PROMOTIONS, INCENTIVES, FEATURES, OPTIONS, FLOOR PLANS, ELEVATIONS, DESIGNS, MATERIALS AND FINISHES ARE SUBJECT TO CHANGE WITHOUT NOTICE. SQUARE FOOTAGE AND DIMENSIONS ARE ESTIMATED AND MAY VARY IN ACTUAL CONSTRUCTION. ACTUAL POSITION OF HOUSE ON LOT WILL BE DETERMINED BY THE SITE PLAN AND ARTIST'S CONCEPTIONS. FLOOR PLANS ARE THE COPYRIGHTED PROPERTY OF WEAVER HOMES. ANY USE, REPRODUCTION, OR MODIFICATION OF THESE DRAWINGS IS STRICTLY PROHIBITED. SEE WEBSITE FOR ALL DISCLOSURES AND CURRENT DETAILS. COPYRIGHT © 2021 WEAVER HOMES

**WEAVER HOMES**  
**CAROLINA COLLECTION**  
**MAGNOLIA-II**

DATE: FEBRUARY 19, 2021

REV.:

SCALE: 1/4" = 1'-0"

DRAWN BY: WG

ENGINEERED BY:

REVIEWED BY:

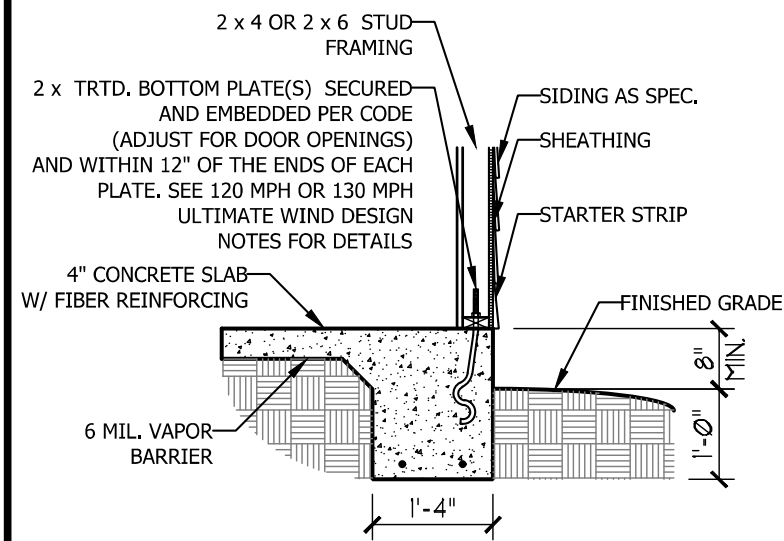
SECOND FLOOR  
ELECTRICAL  
PLAN

E-2

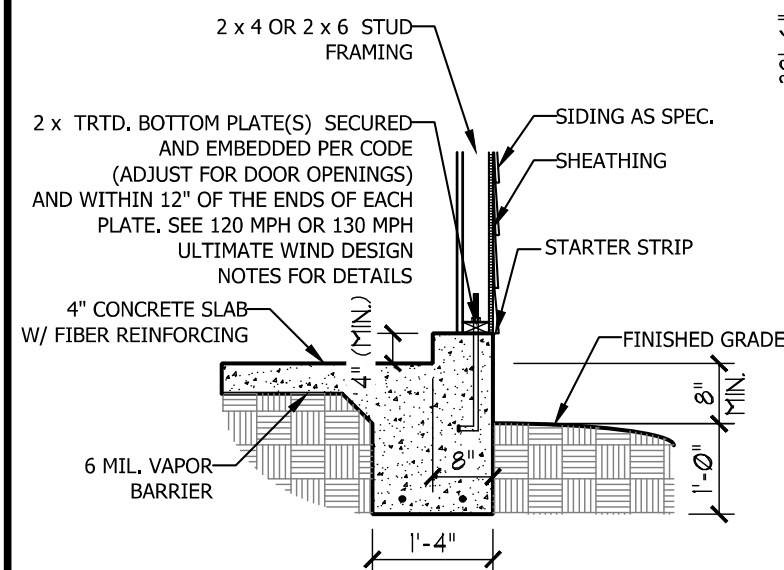
SCALE NOTE: 18x24 PRINTS ARE TO SCALE AS NOTED.  
**11x17 PRINTS ARE NOT TO SCALE**

**ULTIMATE DESIGN WIND SPEED NOTES FOR LESS THAN 30' MEAN ROOF HEIGHT:**

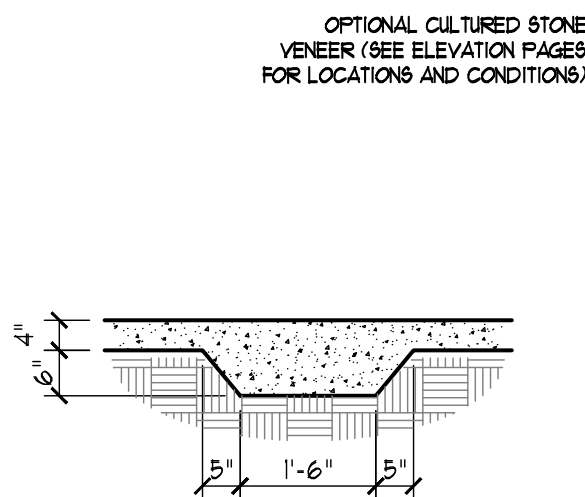
1. STRUCTURAL DESIGN PER NORTH CAROLINA RESIDENTIAL CODE, 2018 EDITION.
2. FOR 120 MPH WIND ZONES INSTALL 1/2" ANCHOR BOLTS 6'-0" O.C. AND WITHIN 1'-0" FROM END OF EACH CORNER. ANCHOR BOLTS MUST EXTEND A MINIMUM OF 7" INTO CONCRETE OR 15" INTO MASONRY. LOCATE BOLT WITHIN MIDDLE THIRD OF PLATE WIDTH.
3. FOR 130 MPH WIND ZONES INSTALL 1/2" ANCHOR BOLTS 4'-0" O.C. AND WITHIN 1'-0" FROM END OF EACH CORNER. ANCHOR BOLTS MUST EXTEND A MINIMUM OF 7" INTO CONCRETE OR 15" INTO MASONRY. LOCATE BOLT WITHIN MIDDLE THIRD OF PLATE WIDTH.
4. MEAN ROOF HEIGHT IS LESS THAN 30 FEET.
5. EXTERIOR WALLS DESIGNED FOR 120 OR 130 MPH WINDS.
6. INSTALL 7/16" OSB SHEATHING ON ALL EXTERIOR WALLS OF ALL STORIES IN ACCORDANCE WITH SECTION R602.10.3 OF THE NRC, 2018 EDITION.
7. ENERGY EFFICIENCY COMPLIANCE AND INSULATION VALUES OF THE BUILDING TO BE IN ACCORDANCE WITH CHAPTER 11 OF THE NRC, 2018 EDITION.



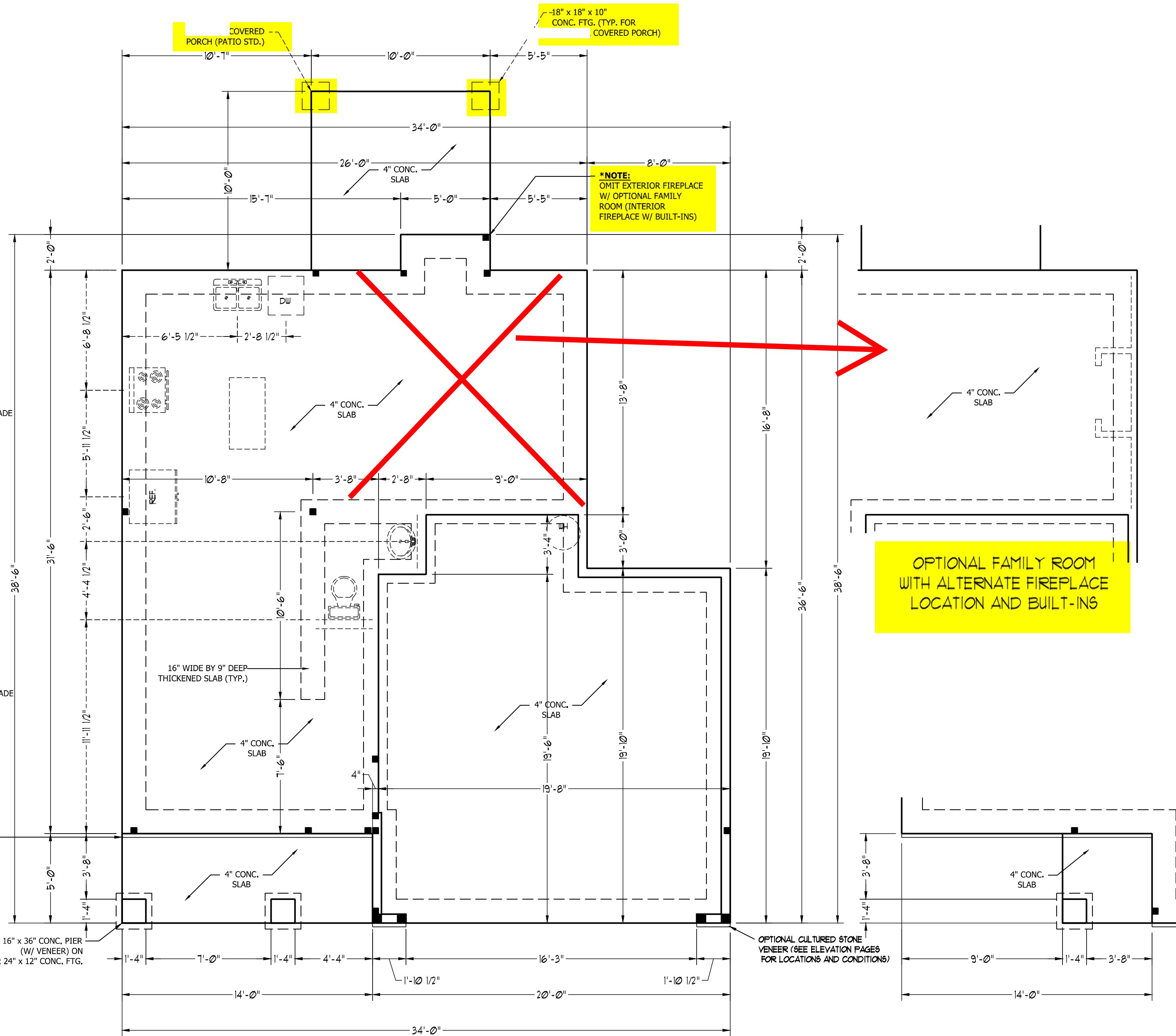
**TYPICAL SLAB DETAIL**



**GARAGE CURB DETAIL**

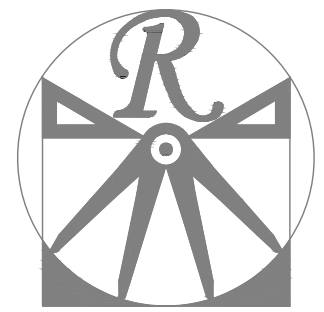


**THICKENED SLAB DETAIL**



~~FRONT PORCH ELEVATION B~~

SCALE NOTE: 18x24 PRINTS ARE TO SCALE AS NOTED.  
11x17 PRINTS ARE NOT TO SCALE



**RENAISSANCE**  
RESIDENTIAL DESIGN, INC.

RALEIGH, NC 27612  
(919) 649-4128  
WWW.RRDCAROLINA.COM

The art of transforming your vision into reality.  
RENAISSANCE RESIDENTIAL DESIGN, INC. RESERVES THE RIGHT TO MAKE MODIFICATIONS TO FLOOR PLANS, DIMENSIONS, MATERIALS, AND SPECIFICATIONS WITHOUT NOTICE. THESE DRAWINGS ARE FOR THE PURPOSE OF CONVEYING AN ARCHITECTURAL CONCEPT ONLY.

RENAISSANCE RESIDENTIAL DESIGN, INC. HEREBY EXPRESSLY RESERVES ITS COMMON LAW COPYRIGHT AND OTHER PROPERTY RIGHTS IN THESE PLANS. THESE PLANS AND DRAWINGS ARE NOT TO BE REPRODUCED, CHANGED, OR COPIED IN ANY FORM OR MANNER WITHOUT FIRST OBTAINING THE EXPRESS WRITTEN CONSENT OF RENAISSANCE RESIDENTIAL DESIGN, INC. NOR ARE THEY TO BE ASSIGNED TO ANY THIRD PARTY WITHOUT FIRST OBTAINING SAID WRITTEN PERMISSION AND CONSENT.

**WEAVER HOMES**  
350 Weaver Drive • Fayetteville, NC 28303  
910.630.2100 • 800.892.2100  
www.weaver-homes.com

PRICES, PROMOTIONS, INCENTIVES, FEATURES, OPTIONS, FLOOR PLANS, ELEVATIONS, DESIGN MATERIALS AND SOURCE FOOTAGE AND DIMENSIONS ARE ESTIMATED AND MAY VARY IN ACTUAL CONSTRUCTION. ACTUAL POSITION OF HOUSE ON LOT WILL BE DETERMINED BY THE SITE PLAN AND ARTIST'S CONCEPTIONS. FLOOR PLANS ARE THE COPYRIGHTED PROPERTY OF WEAVER HOMES. ANY USE, REPRODUCTION, OR MODIFICATION OF THESE PLANS WITHOUT THE WRITTEN CONSENT OF WEAVER HOMES IS PROHIBITED. SEE WEBSITE FOR CURRENT DETAILS. COPYRIGHT © 2020 WEAVER HOMES

**WEAVER HOMES**  
CAROLINA COLLECTION  
MAGNOLIA-II

DATE: FEBRUARY 19, 2021  
REV.:  
SCALE: 1/4" = 1'-0"  
DRAWN BY: WG  
ENGINEERED BY:  
REVIEWED BY:

MONO SLAB  
FOUNDATION  
PLAN  
**S-1**



**STRUCTURAL NOTES:**

1. ALL FRAMING LUMBER TO BE SPF #2 (UNO). ALL TREATED LUMBER TO BE SYP #2 (UNO).
2. ALL LOAD BEARING HEADERS TO BE (2) 2 x 6 (UNO).
3. INSTALL AN EXTRA JOIST UNDER WALLS PARALLEL TO FLOOR JOISTS
4. WINDOW AND DOOR HEADERS TO BE SUPPORTED w/ (1) JACK STUD AND (1) KING STUD EA. END (UNO.). SEE TABLE R602.7.5 FOR ADDITIONAL KING STUD REQUIREMENTS.
5. SQUARES DENOTE POINT LOADS WHICH REQUIRE SOLID BLOCKING TO GIRDER OR FOUNDATION. ALL SQUARES TO BE (2) STUDS (UNO.).
6. ALL 4 x 4 POSTS SHALL BE ANCHORED TO SLABS W/ SIMPSON ABU44 POST BASES (OR EQUAL) AND 6 x 6 POSTS W/ ABU66 POST BASES (OR EQUAL) (UNO). ALL 4 x 4 AND 6 x 6 POSTS TO BE INSTALLED WITH 700 LB CAPACITY UPLIFT CONNECTORS AT TOP (UNO.).
7. FOR FIBERGLASS, ALUMINUM, OR COLUMN ENG. BY OTHERS, SECURE TO SLAB W/ (2) METAL ANGLES USING 2" CONC. SCREWS. FASTEN ANGLES TO COLUMNS W/ 1/4" THROUGH BOLTS W/ NUTS AND WASHERS. LOCATE ANGLES ON OPPOSITE SIDES OF COLUMN. THROUGH BOLTS MUST BE INSTALLED PRIOR TO SETTING COLUMN.

**BRACE WALL PANEL NOTES:**

**EXTERIOR WALLS:** ALL EXTERIOR WALLS TO BE SHEATHED WITH CS-WSP OR CS-SFB IN ACCORDANCE WITH SECTION R602.10.3 UNLESS NOTED OTHERWISE.

**REQUIRED LENGTH OF BRACING:** REQUIRED BRACE WALL LENGTH FOR EACH SIDE OF THE CIRCUMSCRIBED RECTANGLE ARE INTERPOLATED PER TABLE R602.10.3. METHODS CS-WSP AND CS-SFB CONTRIBUTE THEIR ACTUAL LENGTH. METHOD GB CONTRIBUTES 0.5 ITS ACTUAL LENGTH. METHOD PF CONTRIBUTES 1.5 TIMES ITS ACTUAL LENGTH.

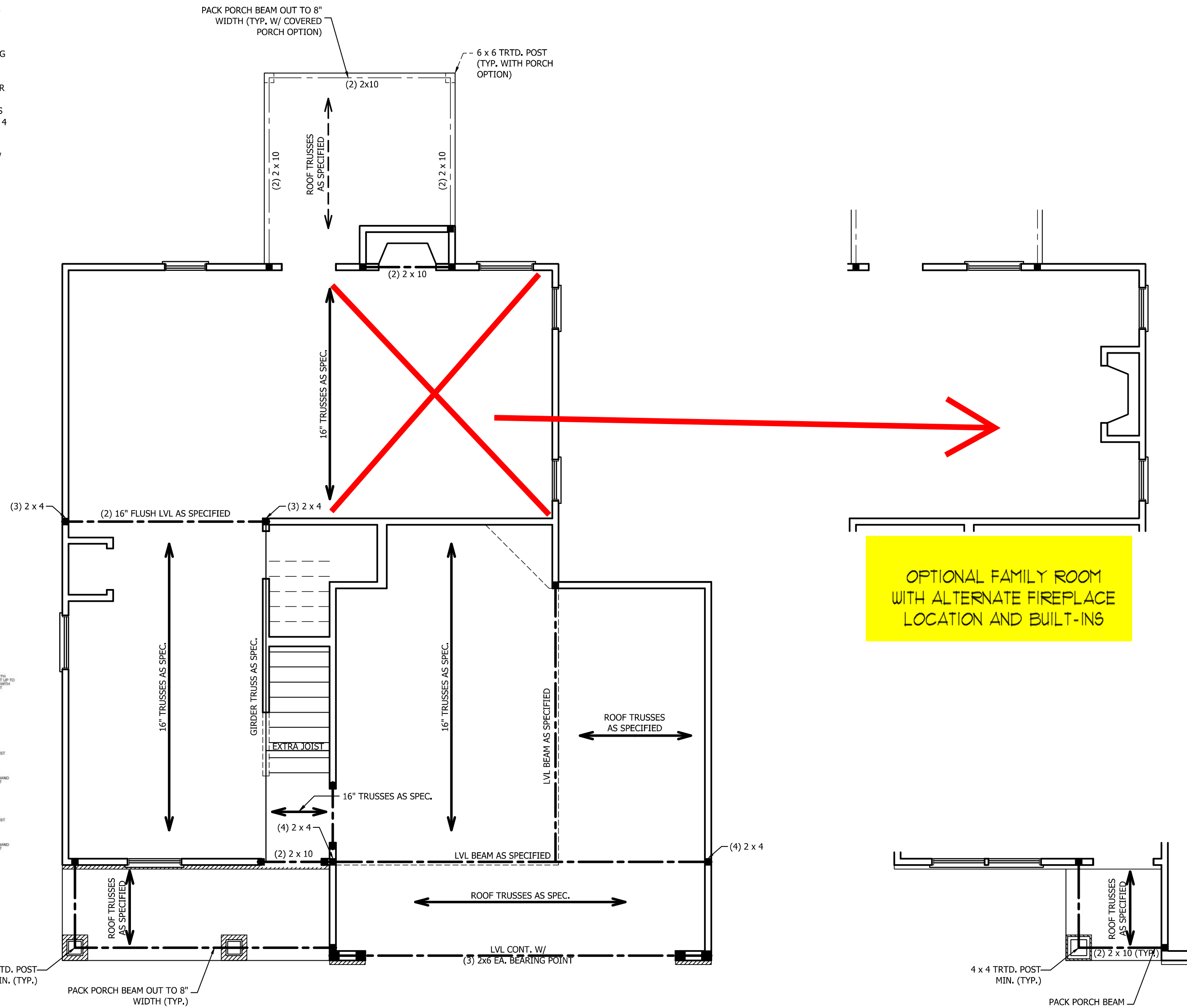
**GYPSON:** ALL INTERIOR SIDES OF EXTERIOR WALLS AND BOTH SIDES OF INTERIOR WALLS TO HAVE 1/2" GYPSUM INSTALLED. WHEN NOT USING METHOD GB GYPSUM TO BE FASTENED PER TABLE R702.3.5. METHOD GB TO BE FASTENED PER TABLE R602.10.1.

**HD:** 800 LBS HOLD DOWN DEVICE FASTENED TO THE EDGE OF THE BRACE WALL PANEL NEAREST TO THE CORNER

**METHODS:** PER TABLE R602.10.1

PACK PORCH BEAM OUT TO 8" WIDTH (TYP. W/ COVERED PORCH OPTION)

6 x 6 TRTD. POST (TYP. WITH PORCH OPTION)



OPTIONAL FAMILY ROOM WITH ALTERNATE FIREPLACE LOCATION AND BUILT-INS

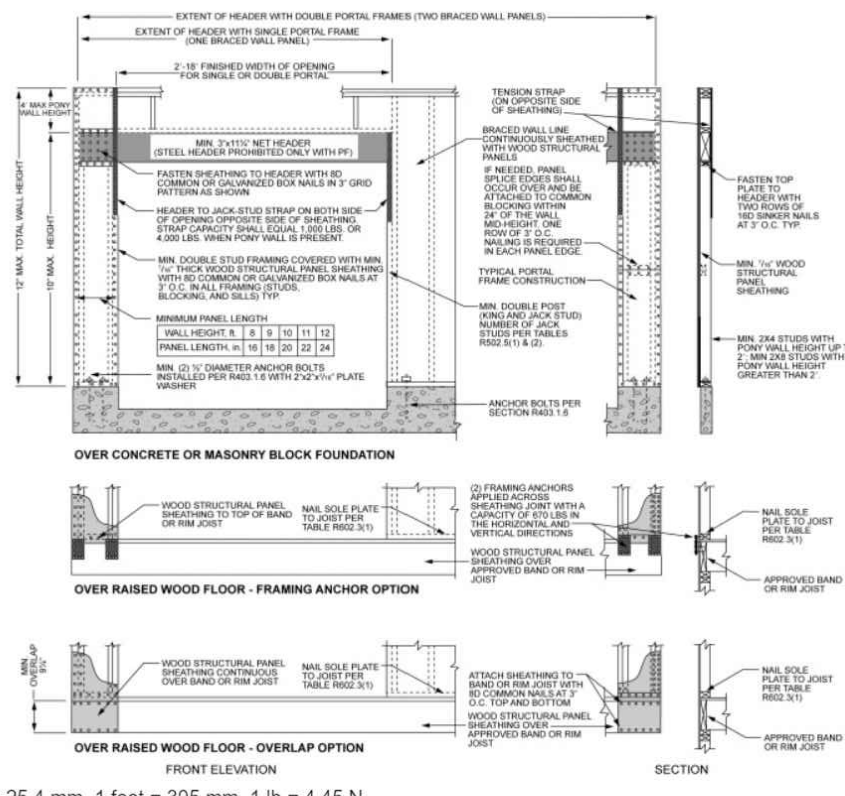
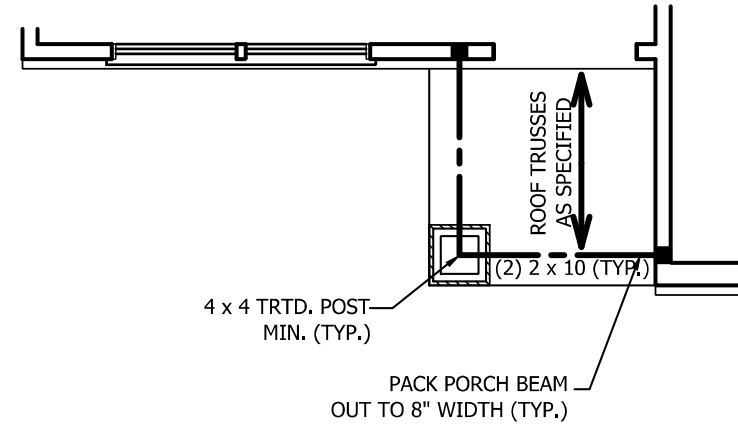
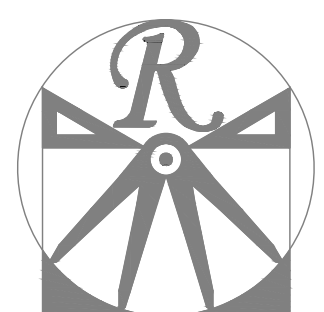


FIGURE R602.10.1  
METHOD PF--PORTAL FRAME CONSTRUCTION

~~FRONT PORCH AND DINING ROOM WINDOW ELEVATION B~~

SCALE NOTE: 18x24 PRINTS ARE TO SCALE AS NOTED.  
11x17 PRINTS ARE NOT TO SCALE



**RENAISSANCE**  
RESIDENTIAL DESIGN, INC.  
RALEIGH, NC 27612  
(919) 649-4128  
WWW.RRDCAROLINA.COM

The art of transforming your vision into reality.  
RENAISSANCE RESIDENTIAL DESIGN, INC. RESERVES THE RIGHT TO MAKE MODIFICATIONS TO FLOOR PLANS, DIMENSIONS, MATERIALS, AND SPECIFICATIONS WITHOUT NOTICE. THESE DRAWINGS ARE FOR THE PURPOSE OF CONVEYING AN ARCHITECTURAL CONCEPT ONLY.

RENAISSANCE RESIDENTIAL DESIGN, INC. HEREBY EXPRESSLY RESERVES ITS COMMON LAW COPYRIGHT AND OTHER PROPERTY RIGHTS IN THESE PLANS. THESE PLANS AND DRAWINGS ARE NOT TO BE REPRODUCED, CHANGED, OR COPIED IN ANY FORM OR MANNER WITHOUT FIRST OBTAINING THE EXPRESS WRITTEN CONSENT OF RENAISSANCE RESIDENTIAL DESIGN, INC. NOR ARE THEY TO BE ASSIGNED TO ANY THIRD PARTY WITHOUT FIRST OBTAINING SAID WRITTEN PERMISSION AND CONSENT.

**WEAVER HOMES**  
350 Weaver Drive • Fayetteville, NC 28303  
910.630.2100 • 800.892.2190  
www.weaver-homes.com

PRICES, PROMOTIONS, INCENTIVES, FEATURES, OPTIONS, FLOOR PLANS, ELEVATIONS, DESIGNS, MATERIALS AND FINISHES ARE SUBJECT TO CHANGE WITHOUT NOTICE. SQUARE FOOTAGE AND DIMENSIONS ARE ESTIMATED AND MAY VARY IN ACTUAL CONSTRUCTION. ACTUAL POSITION OF HOUSE ON LOT WILL BE DETERMINED BY THE SITE PLAN AND ARTIST'S CONCEPTIONS. FLOOR PLANS ARE THE COPYRIGHTED PROPERTY OF WEAVER HOMES. ANY USE, REPRODUCTION, MODIFICATION, OR DISTRIBUTION OF THESE PLANS WITHOUT WRITTEN PERMISSION IS PROHIBITED. SEE WEBSITE FOR CURRENT DETAILS. COPYRIGHT © 2020 WEAVER HOMES

**WEAVER HOMES**  
CAROLINA COLLECTION  
MAGNOLIA-II

DATE: FEBRUARY 19, 2021  
REV.:  
SCALE: 1/4" = 1'-0"  
DRAWN BY: WG  
ENGINEERED BY:  
REVIEWED BY:

SECOND FLOOR FRAMING PLAN  
S-2

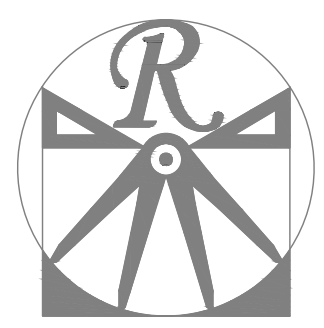
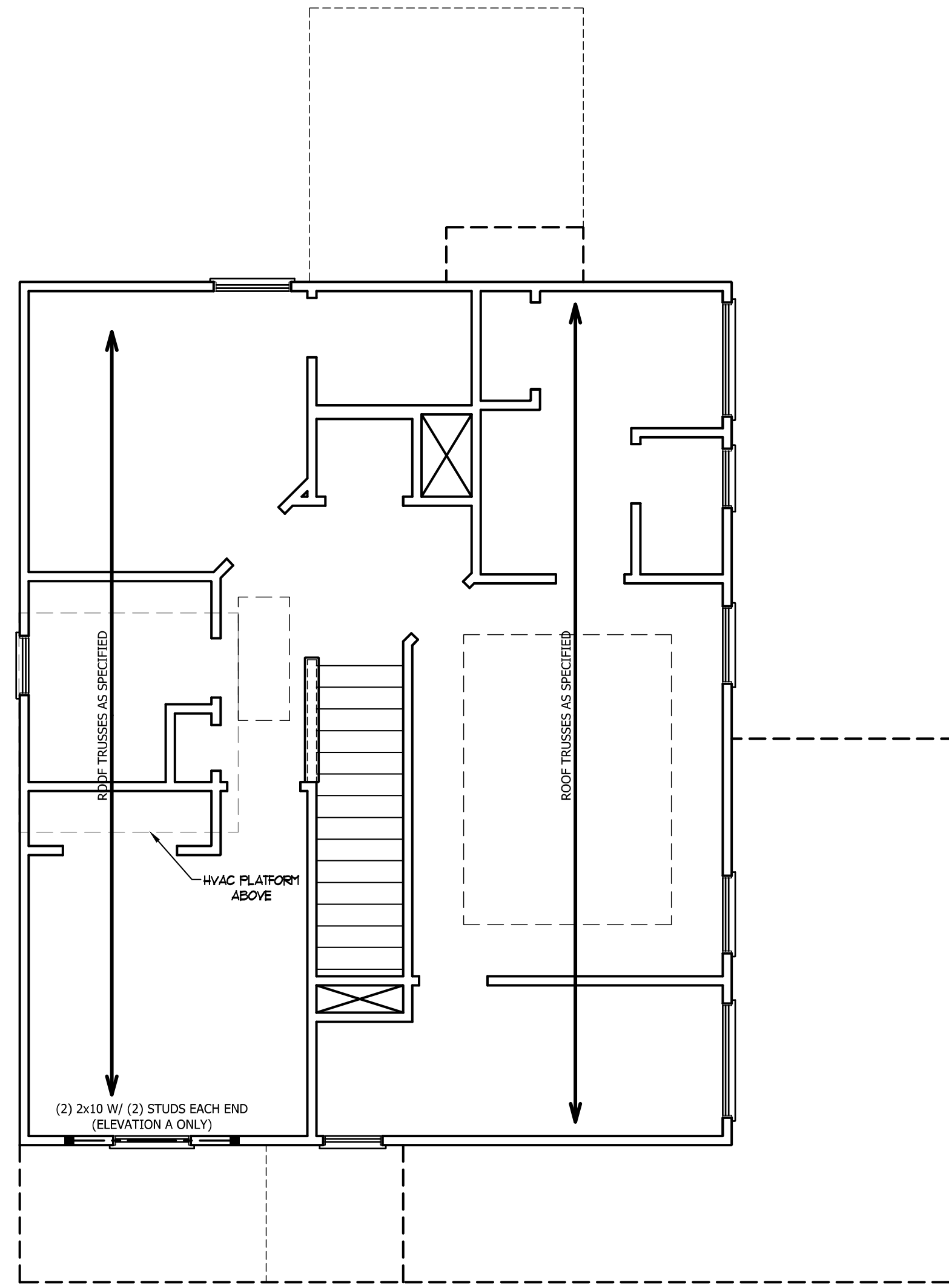
TABLE R602.7.5  
MINIMUM NUMBER OF FULL HEIGHT STUDS  
AT EACH END OF HEADERS IN EXTERIOR WALLS

HEADER SPAN (FEET)	MAXIMUM STUD SPACING (INCHES) (PER TABLE R602.3(5))	
	16	24
UP TO 3'	1	1
4'	2	1
8'	3	2
12'	5	3
16'	6	4

**STRUCTURAL NOTES:**

1. ALL FRAMING LUMBER TO BE SPF #2 (UNO). ALL TREATED LUMBER TO BE SYP #2 (UNO).
2. ALL LOAD BEARING HEADERS TO BE (2) 2 x 6 (UNO).
3. WINDOW AND DOOR HEADERS TO BE SUPPORTED w/ (1) JACK STUD AND (1) KING STUD EA. END (UNO.). SEE TABLE R602.7.5 FOR ADDITIONAL KING STUD REQUIREMENTS.
4. SQUARES DENOTE POINT LOADS WHICH REQUIRE SOLID BLOCKING TO GIRDER OR FOUNDATION. ALL SQUARES TO BE (2) STUDS (UNO.)

DSP - DOUBLE STUD POCKET  
TSP - TRIPLE STUD POCKET



**RENAISSANCE**  
RESIDENTIAL DESIGN, INC.  
RALEIGH, NC 27612  
(919) 649-4128  
WWW.RRDCAROLINA.COM

The art of transforming your vision into reality.

RENAISSANCE RESIDENTIAL DESIGN, INC. RESERVES THE RIGHT TO MAKE MODIFICATIONS TO FLOOR PLANS, DIMENSIONS, MATERIALS, AND SPECIFICATIONS WITHOUT NOTICE. THESE DRAWINGS ARE FOR THE PURPOSE OF CONVEYING AN ARCHITECTURAL CONCEPT ONLY.

RENAISSANCE RESIDENTIAL DESIGN, INC. HEREBY EXPRESSLY RESERVES ITS COMMON LAW COPYRIGHT AND OTHER PROPERTY RIGHTS IN THESE PLANS. THESE PLANS AND DRAWINGS ARE NOT TO BE REPRODUCED, CHANGED, OR COPIED IN ANY FORM OR MANNER WITHOUT FIRST OBTAINING THE EXPRESS WRITTEN CONSENT OF RENAISSANCE RESIDENTIAL DESIGN, INC. NOR ARE THEY TO BE ASSIGNED TO ANY THIRD PARTY WITHOUT FIRST OBTAINING SAID WRITTEN PERMISSION AND CONSENT.

**WEAVER**  
— HOMES —  
350 Weaver Drive • Fayetteville, NC 28303  
910.630.2100 • 800.892.2100  
www.weaver-homes.com

PRICES, PROMOTIONS, INCENTIVES, FEATURES, OPTIONS, FLOOR PLANS, ELEVATIONS, DESIGNS, MATERIALS AND DIMENSIONS ARE SUBJECT TO CHANGE WITHOUT NOTICE. SQUARE FOOTAGE AND DIMENSIONS ARE ESTIMATED AND MAY VARY IN ACTUAL CONSTRUCTION. ACTUAL POSITION OF HOUSE ON LOT WILL BE DETERMINED BY THE SITE PLAN AND ARTIST'S CONCEPTIONS. FLOOR PLANS ARE THE COPYRIGHTED PROPERTY OF WEAVER HOMES. ANY USE, REPRODUCTION, OR MODIFICATION OF THESE PLANS WITHOUT THE WRITTEN PERMISSION OF WEAVER HOMES IS PROHIBITED. SEE WEBSITE FOR CURRENT DETAILS. COPYRIGHT © 2020 WEAVER HOMES

**WEAVER HOMES**  
CAROLINA COLLECTION  
MAGNOLIA-II

DATE: FEBRUARY 19, 2021  
REV.:  
SCALE: 1/4" = 1'-0"  
DRAWN BY: WG  
ENGINEERED BY:  
REVIEWED BY:

ATTIC FLOOR  
FRAMING PLAN

S-3

SCALE NOTE: 18x24 PRINTS ARE  
TO SCALE AS NOTED.  
**11x17 PRINTS ARE NOT TO SCALE**

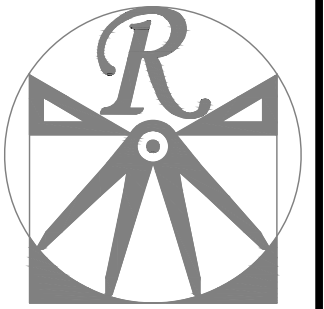


**ATTIC VENT CALCULATION:**  
 100 SQ. FT. OF ATTIC DIVIDED BY 150 REQUIRES 0.7 SQ. FT. OF NET FREE VENTILATING AREA (MIN.).

**ATTIC VENT CALCULATION:**  
 1250 SQ. FT. OF ATTIC DIVIDED BY 150 REQUIRES 8.3 SQ. FT. OF NET FREE VENTILATING AREA (MIN.).

**STRUCTURAL NOTES:**

1. ALL FRAMING LUMBER TO BE #2 SPF (UNO).
2. HIP SPLICES ARE TO BE SPACED A MIN. OF 8'-0". FASTEN MEMBERS WITH THREE ROWS OF 12d NAILS @ 16" O.C. (TYP.)
3. STICK FRAME OVER-FRAMED ROOF SECTIONS W/ 2 x 8 RIDGES, 2 x 6 RAFTERS @ 16" O.C. AND FLAT 2 x 10 VALLEYS OR USE VALLEY TRUSSES.
4. FASTEN FLAT VALLEYS TO RAFTERS OR TRUSSES WITH SIMPSON H2.5A HURRICANE TIES @ 32" O.C. MAX. PASS HURRICANE TIES THROUGH NOTCH IN ROOF SHEATHING. EACH RAFTER IS TO BE FASTENED TO THE FLAT VALLEY WITH A MIN. OF (6) 12d TOE NAILS.
5. REFER TO SECTION R802.11 OF THE 2018 NCRRC FOR REQUIRED UPLIFT RESISTANCE AT RAFTERS AND TRUSSES.



**RENAISSANCE**  
 RESIDENTIAL DESIGN, INC.

RALEIGH, NC 27612  
 (919) 649-4128  
 WWW.RRDCAROLINA.COM

The art of transforming your vision into reality.  
 RENAISSANCE RESIDENTIAL DESIGN, INC. RESERVES THE RIGHT TO MAKE MODIFICATIONS TO FLOOR PLANS, DIMENSIONS, MATERIALS, AND SPECIFICATIONS WITHOUT NOTICE. THESE DRAWINGS ARE FOR THE PURPOSE OF CONVEYING AN ARCHITECTURAL CONCEPT ONLY.

RENAISSANCE RESIDENTIAL DESIGN, INC. HEREBY EXPRESSLY RESERVES ITS COMMON LAW COPYRIGHT AND OTHER PROPERTY RIGHTS IN THESE PLANS. THESE PLANS AND DRAWINGS ARE NOT TO BE REPRODUCED, CHANGED, OR COPIED IN ANY FORM OR MANNER WITHOUT FIRST OBTAINING THE EXPRESS WRITTEN CONSENT OF RENAISSANCE RESIDENTIAL DESIGN, INC. NOR ARE THEY TO BE ASSIGNED TO ANY THIRD PARTY WITHOUT FIRST OBTAINING SAID WRITTEN PERMISSION AND CONSENT.

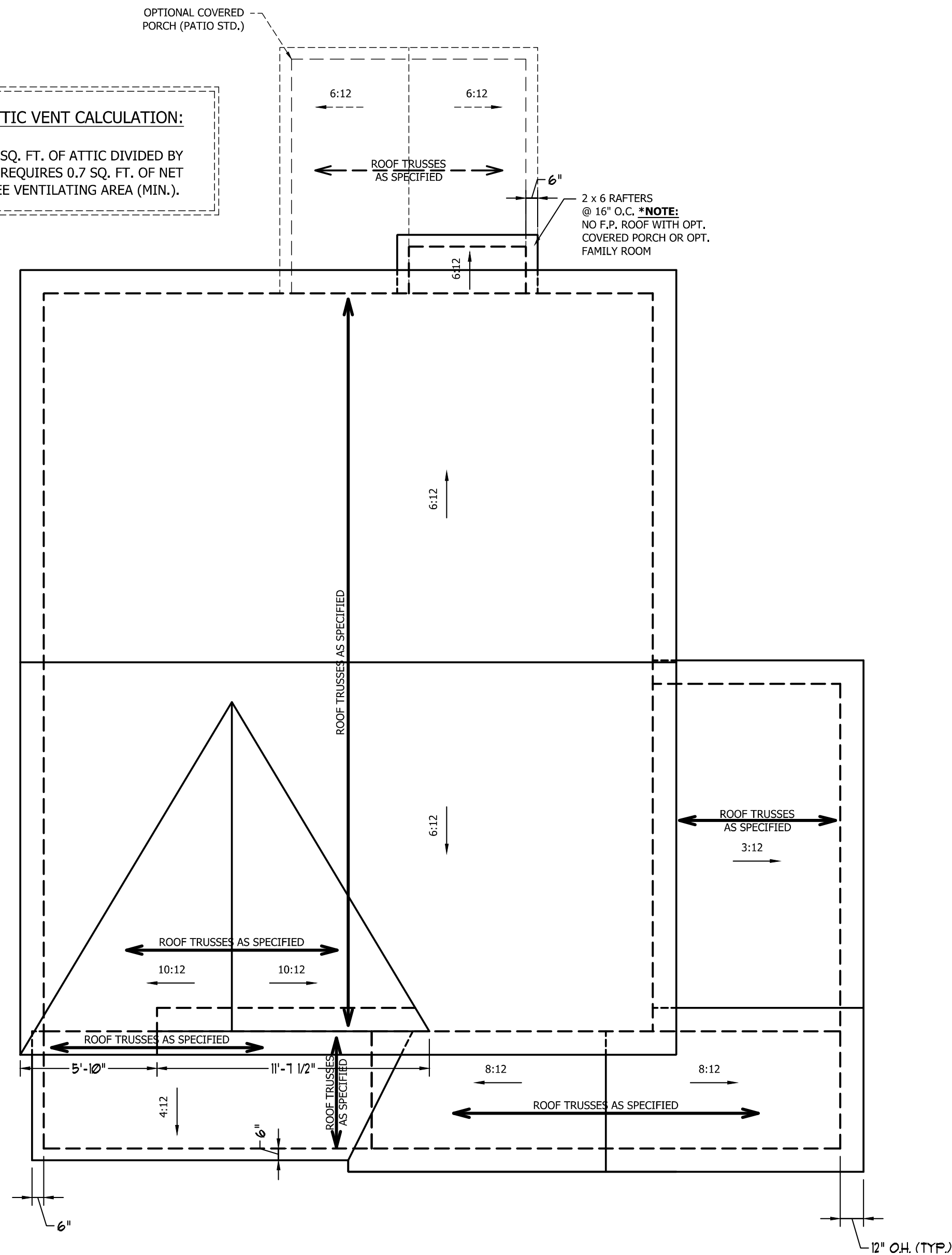
**WEAVER**  
**HOMES**  
 350 Weaver Drive • Fayetteville, NC 28303  
 910.630.2100 • 800.892.2100  
 www.weaver-homes.com

PRICES, PROMOTIONS, INCENTIVES, FEATURES, OPTIONS, FLOOR PLANS, ELEVATIONS, DESIGNS, MATERIALS AND FINISHES ARE SUBJECT TO CHANGE WITHOUT NOTICE. SQUARE FOOTAGE AND DIMENSIONS ARE ESTIMATED AND MAY VARY IN ACTUAL CONSTRUCTION. ACTUAL POSITION OF HOUSE ON LOT WILL BE DETERMINED BY THE SITE PLAN AND ARTIST'S CONCEPTIONS. FLOOR PLANS ARE THE COPYRIGHTED PROPERTY OF WEAVER HOMES. ANY USE, REPRODUCTION, OR MODIFICATION OF THESE DRAWINGS IS STRICTLY PROHIBITED. SEE WEBSITE FOR CURRENT DETAILS. COPYRIGHT © 2020 WEAVER HOMES

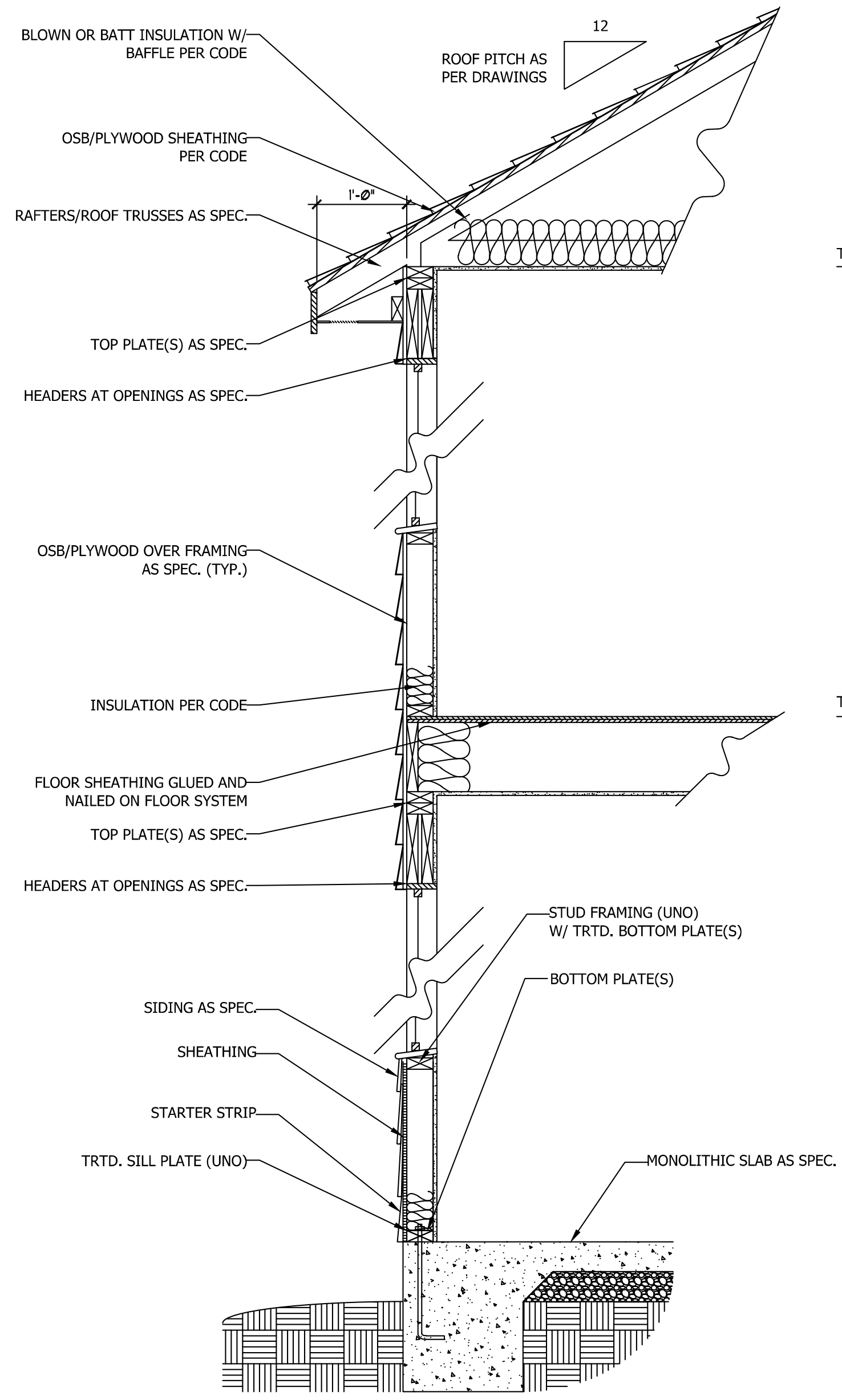
**WEAVER HOMES**  
**CAROLINA COLLECTION**  
**MAGNOLIA-II**

DATE: FEBRUARY 19, 2021  
 REV.:  
 SCALE: 1/4" = 1'-0"  
 DRAWN BY: WG  
 ENGINEERED BY:  
 REVIEWED BY:

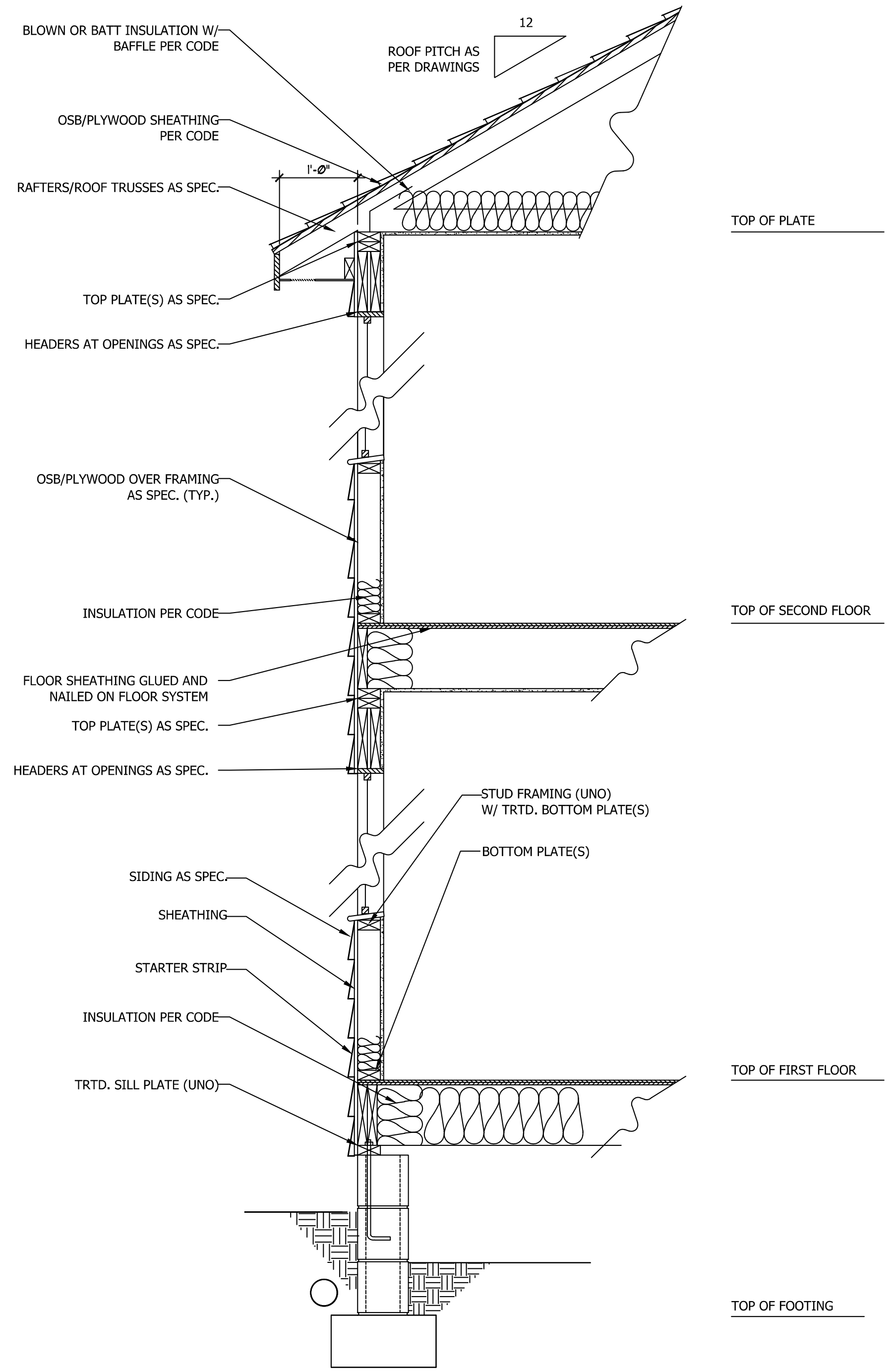
ROOF PLAN  
 ELEVATION - C  
**S-4**



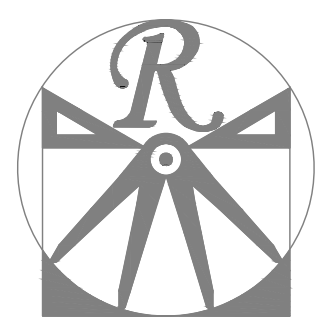
**ELEVATION C**



**WALL SECTION W/ SLAB  
W/ STD. SIDING SHOWN (NTS)**



**WALL SECTION W/ CRAWL SPACE  
W/ STD. SIDING SHOWN (NTS)**



**RENAISSANCE**  
RESIDENTIAL DESIGN, INC.  
RALEIGH, NC 27612  
(919) 649-4128  
WWW.RRDCAROLINA.COM

The art of transforming your vision into reality.  
RENAISSANCE RESIDENTIAL DESIGN, INC. RESERVES THE RIGHT TO MAKE MODIFICATIONS TO FLOOR PLANS, DIMENSIONS, MATERIALS, AND SPECIFICATIONS WITHOUT NOTICE. THESE DRAWINGS ARE FOR THE PURPOSE OF CONVEYING AN ARCHITECTURAL CONCEPT ONLY.  
RENAISSANCE RESIDENTIAL DESIGN, INC. HEREBY EXPRESSLY RESERVES ITS COMMON LAW COPYRIGHT AND OTHER PROPERTY RIGHTS IN THESE PLANS. THESE PLANS AND DRAWINGS ARE NOT TO BE REPRODUCED, CHANGED, OR COPIED IN ANY FORM OR MANNER WITHOUT FIRST OBTAINING THE EXPRESS WRITTEN CONSENT OF RENAISSANCE RESIDENTIAL DESIGN, INC. NOR ARE THEY TO BE ASSIGNED TO ANY THIRD PARTY WITHOUT FIRST OBTAINING SAID WRITTEN PERMISSION AND CONSENT.

**WEAVER**  
**HOMES**  
350 Weaver Drive • Fayetteville, NC 28303  
910.630.2100 • 800.892.2190  
www.weaver-homes.com

PRICES, PROMOTIONS, INCENTIVES, FEATURES, OPTIONS, FLOOR PLANS, ELEVATIONS, DESIGNS, MATERIALS AND FINISHES ARE SUBJECT TO CHANGE WITHOUT NOTICE. SQUARE FOOTAGE AND DIMENSIONS ARE ESTIMATED AND MAY VARY IN ACTUAL CONSTRUCTION. ACTUAL POSITION OF HOUSE ON LOT WILL BE DETERMINED BY THE SITE PLAN AND SURVEY. THESE DRAWINGS ARE THE PROPERTY OF WEAVER HOMES. ANY USE, REPRODUCTION, OR DISTRIBUTION OF THESE DRAWINGS WITHOUT THE WRITTEN PERMISSION OF WEAVER HOMES IS PROHIBITED. SEE SPECIFICATIONS FOR CURRENT DETAILS. COPYRIGHT © 2020 WEAVER HOMES

**WEAVER HOMES**  
**CAROLINA COLLECTION**  
**MAGNOLIA-II**

DATE: FEBRUARY 19, 2021  
REV.:  
SCALE: 1/4" = 1'-0"  
DRAWN BY: WG  
ENGINEERED BY:  
REVIEWED BY:

TYPICAL WALL SECTIONS

D-1