



ROOF & FLOOR TRUSSES & BEAMS

Reilly Road Industrial Park
Fayetteville, N.C. 28309
Phone: (910) 864-8787
Fax: (910) 864-4444

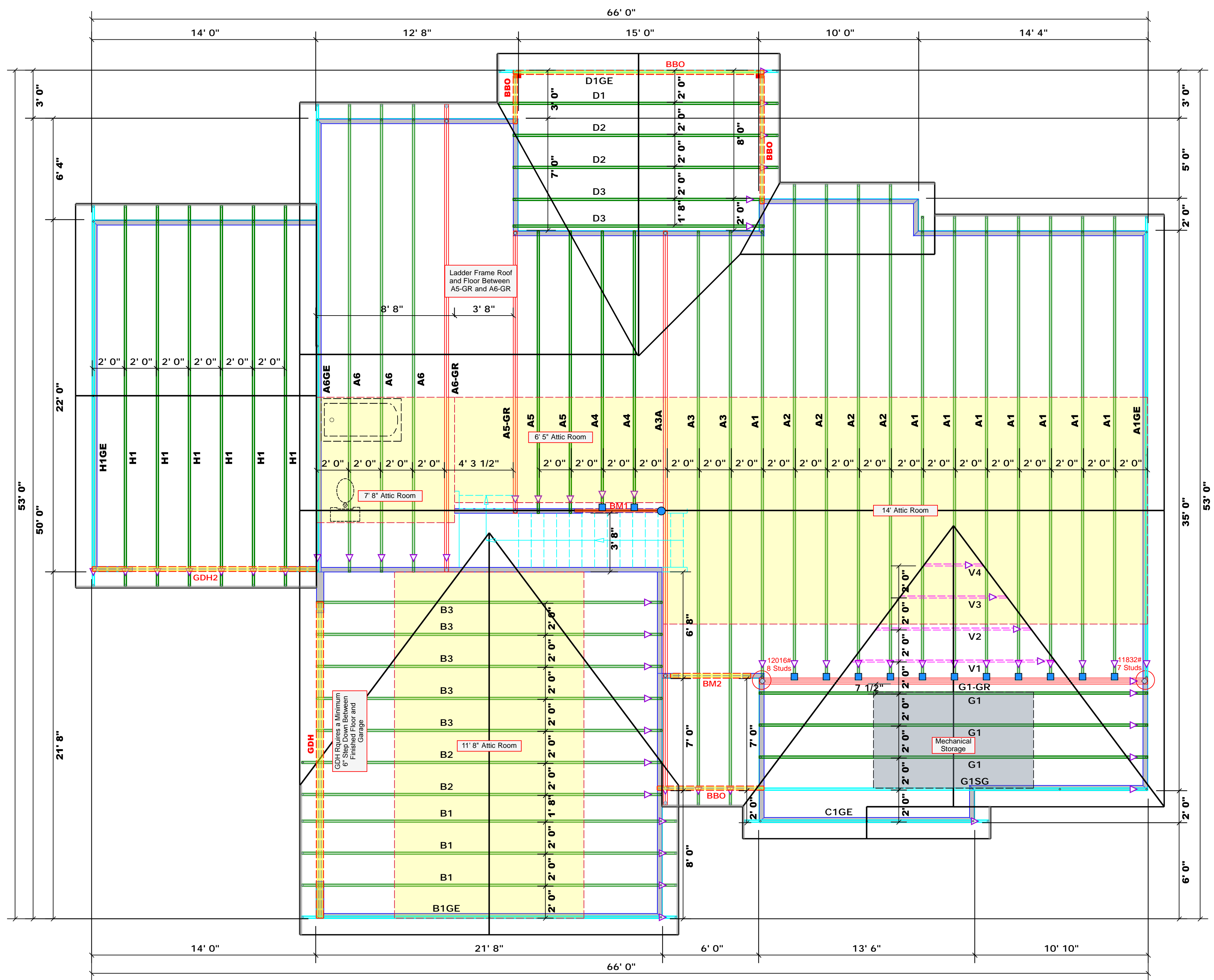
Bearing reactions less than or equal to 3000# are deemed to comply with the prescriptive Code requirements. The contractor shall refer to the attached Tables (derived from the prescriptive Code requirements) to determine the minimum foundation size and number of wood studs required to support reactions greater than 3000# but not greater than 15000#. A registered design professional shall be retained to design the support system for any reaction that exceeds those specified in the attached Tables. A registered design professional shall be retained to design the support system for all reactions that exceed 15000#.

Signature _____
David Landry

LOAD CHART FOR JACK STUDS

(BASED ON TABLES 502.5(1) & (b))
NUMBER OF JACK STUDS REQUIRED @ EA END OF HEADER/GIRDER

END REACTION (UP TO)	REQ. STUDS FOR (1) 1" LVL HEADER	END REACTION (UP TO)	REQ. STUDS FOR (1) 1" LVL HEADER	END REACTION (UP TO)	REQ. STUDS FOR (1) 1" LVL HEADER
1700	1	2550	1	3400	1
3400	2	5100	2	6800	2
5100	3	7650	3	10200	3
6800	4	10200	4	13600	4
8500	5	12750	5	17000	5
10200	6	15300	6		
11900	7				
13600	8				
15300	9				



PlotID	Length	Product	Plies	Net Qty	Fab Type
BM1	6' 0"	2x10 SPF No.2	2	2	FF
BM2	5' 0"	1-3/4"x 9-1/4" LVL Kerto-S	2	2	FF
GDH	20' 0"	1-3/4"x 16" LVL Kerto-S	3	3	FF
GDH2	14' 0"	1-3/4"x 11-7/8" LVL Kerto-S	2	2	FF

All Walls Shown Are Considered Load Bearing

Hatch Legend

[Pattern]	Padded HVAC
[Pattern]	Drop Beam

1 Truss Placement Plan
Scale: 1/4"=1'

Dimension Notes
1. All exterior wall to wall dimensions are to face of sheathing unless noted otherwise
2. All interior wall dimensions are to face of frame wall unless noted otherwise
3. All exterior wall to truss dimensions are to face of frame wall unless noted otherwise

Roof Area = 3590.94 sq.ft.
Ridge Line = 132.58 ft.
Hip Line = 0 ft.
Horiz. OH = 122.76 ft.
Raked OH = 250.85 ft.
Decking = 123 sheets

Connector Information					Nail Information	
Sym	Product	Manuf	Qty	Supported Member	Header	Truss
[Blue Square]	HUS26	USP	13	NA	16d/3-1/2"	16d/3-1/2"
[Blue Circle]	HUS410	USP	1	Varies	16d/3-1/2"	16d/3-1/2"

BUILDER	Weaver Development Co. Inc.	COUNTY	Angier / Harnett
JOB NAME	Lot 6 Mitchell Manor	ADDRESS	203 Mitchell Manor Dr.
PLAN	Halifax II / 3GLS, 3BR	MODEL	Roof
SEAL DATE	N/A	DATE REV.	05/12/22
QUOTE #		DRAWN BY	David Landry
JOB #	J0522-2435	SALESMAN	Lenny Norris

THIS IS A TRUSS PLACEMENT DIAGRAM ONLY. These trusses are designed as individual building components to be incorporated into the building design at the specification of the building designer. See individual design sheets for each truss design identified on the placement drawing. The building designer is responsible for temporary and permanent bracing of the roof and floor system and for the overall structure. The design of the truss support structure including headers, beams, walls, and columns is the responsibility of the building designer. For general guidance regarding bracing, consult BCSI-B1 and BCSI-B3 provided with the truss delivery package or online @ sbcindustry.com



ROOF & FLOOR TRUSSES & BEAMS

Reilly Road Industrial Park
Fayetteville, N.C. 28309
Phone: (910) 864-8787
Fax: (910) 864-4444

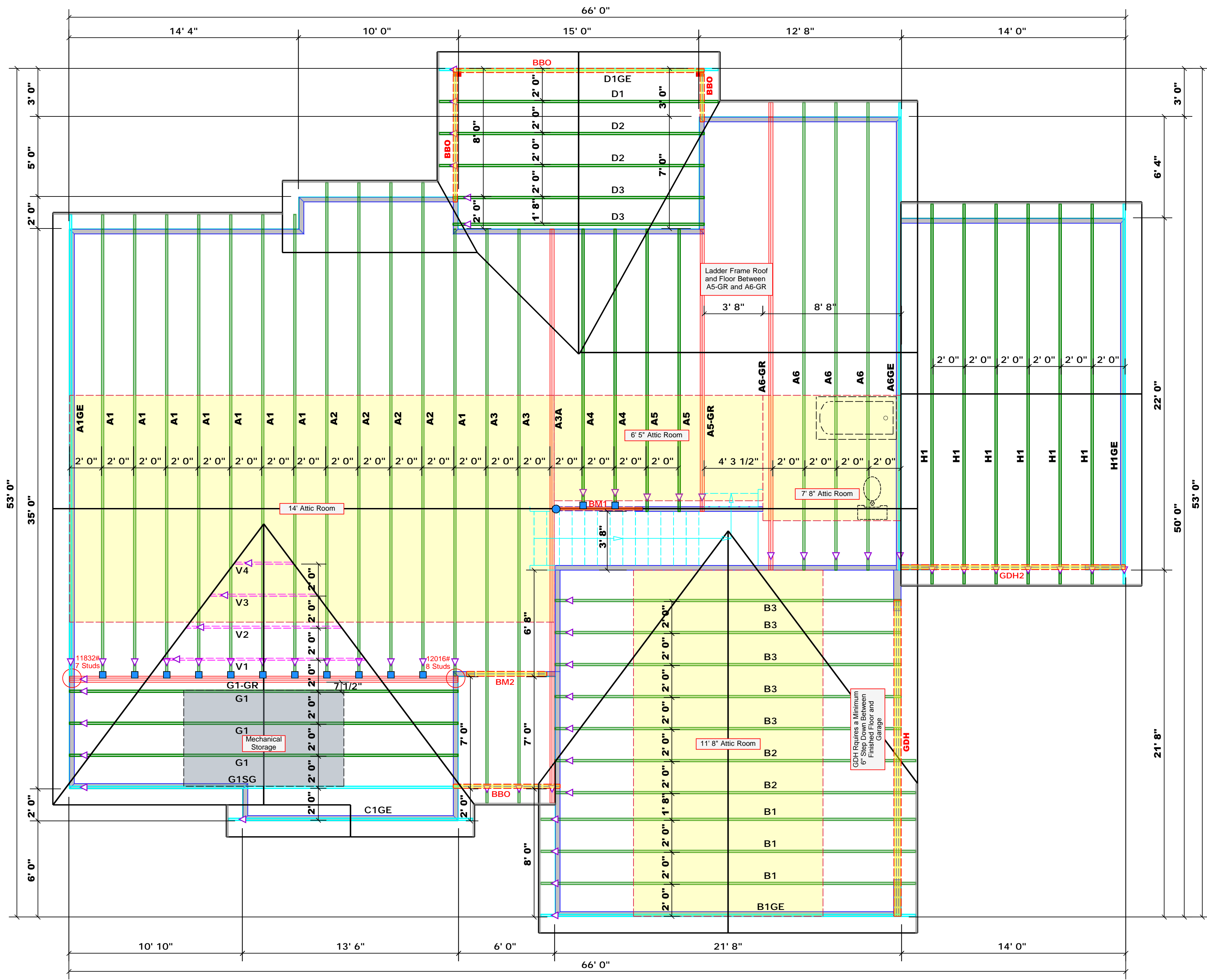
Bearing reactions less than or equal to 3000# are deemed to comply with the prescriptive Code requirements. The contractor shall refer to the attached Tables (derived from the prescriptive Code requirements) to determine the minimum foundation size and number of wood studs required to support reactions greater than 3000# but not greater than 15000#. A registered design professional shall be retained to design the support system for any reaction that exceeds those specified in the attached Tables. A registered design professional shall be retained to design the support system for all reactions that exceed 15000#.

Signature _____
David Landry

LOAD CHART FOR JACK STUDS

(BASED ON TABLES 502.5(1) & (b))
NUMBER OF JACK STUDS REQUIRED @ EA END OF HEADER/GIRDER

END REACTION (UP TO)	REQ. STUDS FOR (1) 1" HEADER	END REACTION (UP TO)	REQ. STUDS FOR (1) 1" HEADER	END REACTION (UP TO)	REQ. STUDS FOR (1) 1" HEADER
1700	1	2550	1	3400	1
3400	2	5100	2	6800	2
5100	3	7650	3	10200	3
6800	4	10200	4	13600	4
8500	5	12750	5	17000	5
10200	6	15300	6		
11900	7				
13600	8				
15300	9				



Products					
PlotID	Length	Product	Plies	Net Qty	Fab Type
BM1	6' 0"	2x10 SPF No.2	2	2	FF
BM2	5' 0"	1-3/4"x 9-1/4" LVL Kerto-S	2	2	FF
GDH	20' 0"	1-3/4"x 16" LVL Kerto-S	3	3	FF
GDH2	14' 0"	1-3/4"x 11-7/8" LVL Kerto-S	2	2	FF

All Walls Shown Are Considered Load Bearing

Hatch Legend	
	Padded HVAC
	Drop Beam

1 Truss Placement Plan

Scale: 1/4"=1'

- Dimension Notes**
- All exterior wall to wall dimensions are to face of sheathing unless noted otherwise
 - All interior wall dimensions are to face of frame wall unless noted otherwise
 - All exterior wall to truss dimensions are to face of frame wall unless noted otherwise

Roof Area = 3590.94 sq.ft.
Ridge Line = 132.58 ft.
Hip Line = 0 ft.
Horiz. OH = 122.76 ft.
Raked OH = 250.85 ft.
Decking = 123 sheets

Connector Information					Nail Information	
Sym	Product	Manuf	Qty	Supported Member	Header	Truss
	HUS26	USP	13	NA	16d/3-1/2"	16d/3-1/2"
	HUS410	USP	1	Varies	16d/3-1/2"	16d/3-1/2"

COUNTY	Angier / Harnett
ADDRESS	203 Mitchell Manor Dr.
MODEL	Roof
DATE REV.	05/12/22
DRAWN BY	David Landry
SALESMAN	Lenny Norris
BUILDER	Weaver Development Co. Inc.
JOB NAME	Lot 6 Mitchell Manor
PLAN	Halifax II / 3GLS, 4BR
SEAL DATE	N/A
QUOTE #	
JOB #	J0522-2435

THIS IS A TRUSS PLACEMENT DIAGRAM ONLY. These trusses are designed as individual building components to be incorporated into the building design at the specification of the building designer. See individual design sheets for each truss design identified on the placement drawing. The building designer is responsible for temporary and permanent bracing of the roof and floor system and for the overall structure. The design of the truss support structure including headers, beams, walls, and columns is the responsibility of the building designer. For general guidance regarding bracing, consult BCSI-B1 and BCSI-B3 provided with the truss delivery package or online @ sbcindustry.com

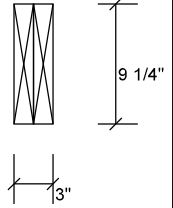
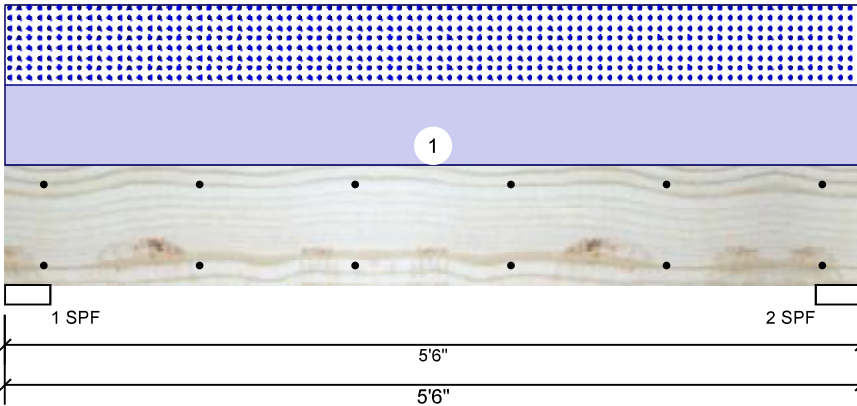


Client: Weaver Development Co. Inc.
 Project: Halifax II
 Address: 203 Mitchell Manor Dr.
 Angier, NC 27501

Date: 5/12/2022
 Input by: David Landry
 Job Name: Lot 6 Mitchell Manor
 Project #: J0522-2435

BM1 S-P-F #2 2.000" X 10.000" 2-Ply - PASSED

Level: Level



Member Information

Type:	Girder
Plies:	2
Moisture Condition:	Dry
Deflection LL:	480
Deflection TL:	360
Importance:	Normal - II
Temperature:	Temp <= 100°F

Application:	Floor
Design Method:	ASD
Building Code:	IBC/IRC 2015
Load Sharing:	No
Deck:	Not Checked

Reactions UNPATTERNED Ib (Uplift)

Brg	Direction	Live	Dead	Snow	Wind	Const
1	Vertical	0	919	919	0	0
2	Vertical	0	919	919	0	0

Bearings

Bearing	Length	Dir.	Cap.	React D/L lb	Total	Ld. Case	Ld. Comb.
1 - SPF	3.500"	Vert	41%	919 / 919	1837	L	D+S
2 - SPF	3.500"	Vert	41%	919 / 919	1837	L	D+S

Analysis Results

Analysis	Actual	Location	Allowed	Capacity	Comb.	Case
Moment	2122 ft-lb	2'9"	3946 ft-lb	0.538 (54%)	D+S	L
Unbraced	2122 ft-lb	2'9"	3654 ft-lb	0.581 (58%)	D+S	L
Shear	1127 lb	1' 3/4"	2872 lb	0.392 (39%)	D+S	L
LL Defl inch	0.018 (L/3452)	2'9"	0.126 (L/480)	0.139 (14%)	S	L
TL Defl inch	0.035 (L/1726)	2'9"	0.168 (L/360)	0.209 (21%)	D+S	L

Design Notes

- 1 Provide support to prevent lateral movement and rotation at the end bearings. Lateral support may also be required at the interior bearings by the building code.
- 2 Fasten all plies using 2 rows of 10d Box nails (.128x3") at 12" o.c. Maximum end distance not to exceed 6".
- 3 Refer to last page of calculations for fasteners required for specified loads.
- 4 Girders are designed to be supported on the bottom edge only.
- 5 Top loads must be supported equally by all plies.
- 6 Top must be laterally braced at end bearings.
- 7 Bottom must be laterally braced at end bearings.
- 8 Lateral slenderness ratio based on single ply width.

ID	Load Type	Location	Trib Width	Side	Dead 0.9	Live 1	Snow 1.15	Wind 1.6	Const. 1.25	Comments
1	Uniform			Top	334 PLF	0 PLF	334 PLF	0 PLF	0 PLF	A4

Manufacturer Info

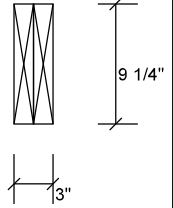
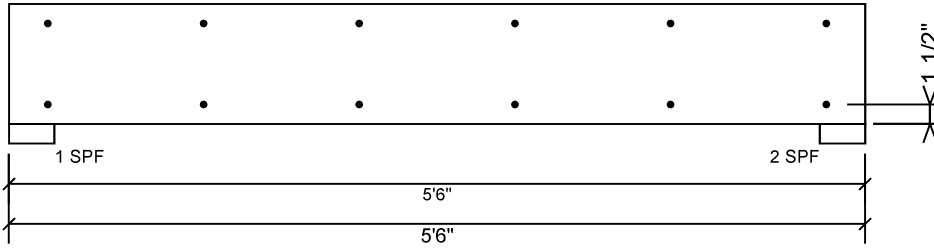
Comtech, Inc.
 1001 S. Reilly Road, Suite #639
 Fayetteville, NC
 USA
 28314
 910-864-TRUS



This design is valid until 11/3/2024

BM1 S-P-F #2 2.000" X 10.000" 2-Ply - PASSED

Level: Level



Multi-Ply Analysis

Fasten all plies using 2 rows of 10d Box nails (.128x3") at 12" o.c.. Maximum end distance not to exceed 6".

Capacity	0.0 %
Load	0.0 PLF
Yield Limit per Foot	157.4 PLF
Yield Limit per Fastener	78.7 lb.
Yield Mode	IV
Edge Distance	1 1/2"
Min. End Distance	3"
Load Combination	
Duration Factor	1.00

Manufacturer Info	Comtech, Inc. 1001 S. Reilly Road, Suite #639 Fayetteville, NC USA 28314 910-864-TRUS

This design is valid until 11/3/2024

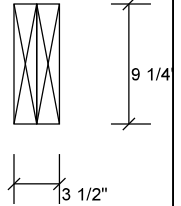
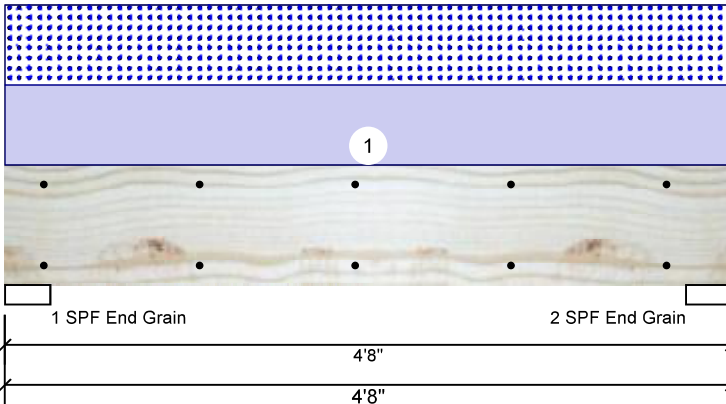


Client: Weaver Development Co. Inc.
 Project: Halifax II
 Address: 203 Mitchell Manor Dr.
 Angier, NC 27501

Date: 5/12/2022
 Input by: David Landry
 Job Name: Lot 6 Mitchell Manor
 Project #: J0522-2435

BM2 Kerto-S LVL 1.750" X 9.250" 2-Ply - PASSED

Level: Level



Member Information

Type: Girder
 Plies: 2
 Moisture Condition: Dry
 Deflection LL: 480
 Deflection TL: 360
 Importance: Normal - II
 Temperature: Temp <= 100°F

Application: Floor
 Design Method: ASD
 Building Code: IBC/IRC 2015
 Load Sharing: No
 Deck: Not Checked

Reactions UNPATTERNED lb (Uplift)

Brg	Direction	Live	Dead	Snow	Wind	Const
1	Vertical	0	1526	1510	0	0
2	Vertical	0	1526	1510	0	0

Bearings

Bearing	Length	Dir.	Cap.	React D/L lb	Total	Ld. Case	Ld. Comb.
1 - SPF End Grain	3.500"	Vert	30%	1526 / 1510	3036	L	D+S
2 - SPF End Grain	3.500"	Vert	30%	1526 / 1510	3036	L	D+S

Analysis Results

Analysis	Actual	Location	Allowed	Capacity	Comb.	Case
Moment	2881 ft-lb	2'4"	14423 ft-lb	0.200 (20%)	D+S	L
Unbraced	2881 ft-lb	2'4"	12555 ft-lb	0.229 (23%)	D+S	L
Shear	1659 lb	3'7 1/4"	7943 lb	0.209 (21%)	D+S	L
LL Defl inch	0.015 (L/3370)	2'4 1/16"	0.105 (L/480)	0.142 (14%)	S	L
TL Defl inch	0.030 (L/1676)	2'4 1/16"	0.140 (L/360)	0.215 (21%)	D+S	L

Design Notes

- 1 Provide support to prevent lateral movement and rotation at the end bearings. Lateral support may also be required at the interior bearings by the building code.
- 2 Fasten all plies using 2 rows of 10d Box nails (.128x3") at 12" o.c. Maximum end distance not to exceed 6".
- 3 Refer to last page of calculations for fasteners required for specified loads.
- 4 Girders are designed to be supported on the bottom edge only.
- 5 Top loads must be supported equally by all plies.
- 6 Top must be laterally braced at end bearings.
- 7 Bottom must be laterally braced at end bearings.
- 8 Lateral slenderness ratio based on single ply width.

ID	Load Type	Location	Trib Width	Side	Dead 0.9	Live 1	Snow 1.15	Wind 1.6	Const. 1.25	Comments
1	Uniform			Top	647 PLF	0 PLF	647 PLF	0 PLF	0 PLF	A3
	Self Weight				7 PLF					

Notes

Calculated Structural Designs is responsible only of the structural adequacy of this component based on the design criteria and loadings shown. It is the responsibility of the customer and/or the contractor to ensure the component suitability of the intended application, and to verify the dimensions and loads.

Lumber

1. Dry service conditions, unless noted otherwise
2. LVL not to be treated with fire retardant or corrosive

Handling & Installation

1. LVL beams must not be cut or drilled
2. Refer to manufacturer's product information regarding installation requirements, multi-ply fastening details, beam strength values, and code approvals
3. Damaged Beams must not be used
4. Design assumes top edge is laterally restrained
5. Provide lateral support at bearing points to avoid lateral displacement and rotation

6. For flat roofs provide proper drainage to prevent ponding

This design is valid until 11/3/2024

Manufacturer Info

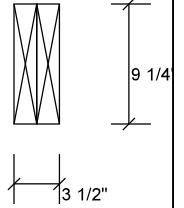
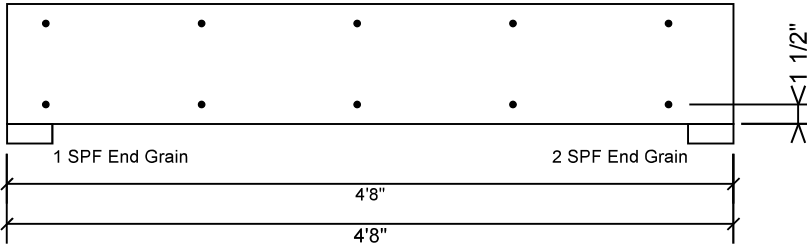
Metsä Wood
 301 Merritt 7 Building, 2nd Floor
 Norwalk, CT 06851
 (800) 622-5850
www.metsawood.com/us

Comtech, Inc.
 1001 S. Reilly Road, Suite #639
 Fayetteville, NC
 USA
 28314
 910-864-TRUS



BM2 Kerto-S LVL 1.750" X 9.250" 2-Ply - PASSED

Level: Level



Multi-Ply Analysis

Fasten all plies using 2 rows of 10d Box nails (.128x3") at 12" o.c.. Maximum end distance not to exceed 6".

Capacity	0.0 %
Load	0.0 PLF
Yield Limit per Foot	163.7 PLF
Yield Limit per Fastener	81.9 lb.
Yield Mode	IV
Edge Distance	1 1/2"
Min. End Distance	3"
Load Combination	
Duration Factor	1.00

Notes

Calculated Structured Designs is responsible only of the structural adequacy of this component based on the design criteria and loadings shown. It is the responsibility of the customer and/or the contractor to ensure the component suitability of the intended application, and to verify the dimensions and loads.

Lumber

1. Dry service conditions, unless noted otherwise
2. LVL not to be treated with fire retardant or corrosive

chemicals

Handling & Installation

1. LVL beams must not be cut or drilled
2. Refer to manufacturer's product information regarding installation requirements, multi-ply fastening details, beam strength values, and code approvals
3. Damaged Beams must not be used
4. Design assumes top edge is laterally restrained
5. Provide lateral support at bearing points to avoid lateral displacement and rotation

6. For flat roofs provide proper drainage to prevent ponding

This design is valid until 11/3/2024

Manufacturer Info

Metsä Wood
 301 Merritt 7 Building, 2nd Floor
 Norwalk, CT 06851
 (800) 622-5850
www.metsawood.com/us

Comtech, Inc.
 1001 S. Reilly Road, Suite #639
 Fayetteville, NC
 USA
 28314
 910-864-TRUS



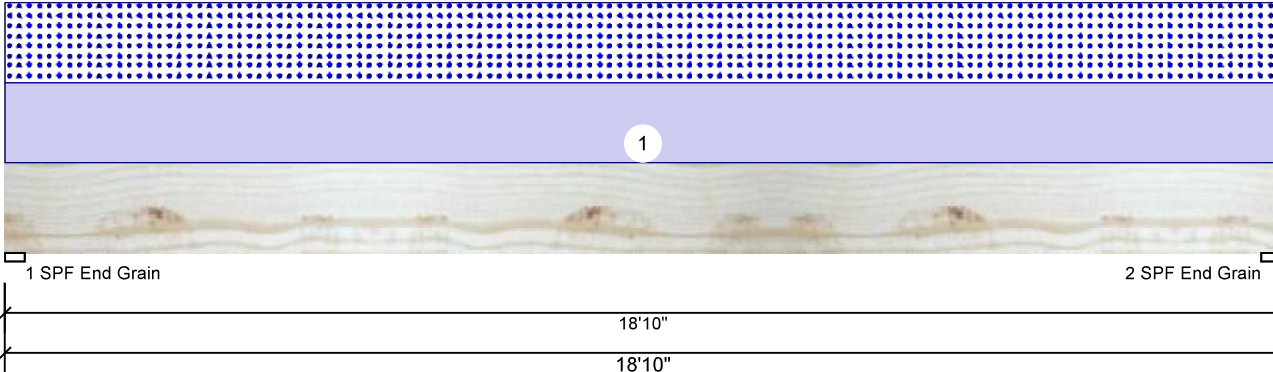


Client: Weaver Development Co. Inc.
 Project: Halifax II
 Address: 203 Mitchell Manor Dr.
 Angier, NC 27501

Date: 5/12/2022
 Input by: David Landry
 Job Name: Lot 6 Mitchell Manor
 Project #: J0522-2435

GDH Kerto-S LVL 1.750" X 16.000" 3-Ply - PASSED

Level: Level



Member Information

Type:	Girder	Application:	Floor
Plies:	3	Design Method:	ASD
Moisture Condition:	Dry	Building Code:	IBC/IRC 2015
Deflection LL:	480	Load Sharing:	Yes
Deflection TL:	240	Deck:	Not Checked
Importance:	Normal - II		
Temperature:	Temp <= 100°F		

Reactions UNPATTERNED lb (Uplift)

Brg	Direction	Live	Dead	Snow	Wind	Const
1	Vertical	0	3585	3409	0	0
2	Vertical	0	3585	3409	0	0

Bearings

Bearing	Length	Dir.	Cap.	React D/L lb	Total	Ld. Case	Ld. Comb.
1 - SPF End Grain	3.500"	Vert	45%	3585 / 3409	6993	L	D+S
2 - SPF End Grain	3.500"	Vert	45%	3585 / 3409	6993	L	D+S

Analysis Results

Analysis	Actual	Location	Allowed	Capacity	Comb.	Case
Moment	31415 ft-lb	9'5"	62010 ft-lb	0.507 (51%)	D+S	L
Unbraced	31415 ft-lb	9'5"	31596 ft-lb	0.994 (99%)	D+S	L
Shear	5812 lb	1'7 1/2"	20608 lb	0.282 (28%)	D+S	L
LL Defl inch	0.281 (L/785)	9'5 1/16"	0.460 (L/480)	0.612 (61%)	S	L
TL Defl inch	0.577 (L/383)	9'5 1/16"	0.920 (L/240)	0.627 (63%)	D+S	L

Design Notes

- 1 Provide support to prevent lateral movement and rotation at the end bearings. Lateral support may also be required at the interior bearings by the building code.
- 2 Girders are designed to be supported on the bottom edge only.
- 3 Multiple plies must be fastened together as per manufacturer's details.
- 4 Top loads must be supported equally by all plies.
- 5 Top must be laterally braced at a maximum of 5'6 3/8" o.c.
- 6 Bottom must be laterally braced at end bearings.
- 7 Lateral slenderness ratio based on single ply width.

ID	Load Type	Location	Trib Width	Side	Dead 0.9	Live 1	Snow 1.15	Wind 1.6	Const. 1.25	Comments
1	Uniform			Top	362 PLF	0 PLF	362 PLF	0 PLF	0 PLF	B2
	Self Weight				19 PLF					

Notes

Calculated Structured Designs is responsible only of the structural adequacy of this component based on the design criteria and loadings shown. It is the responsibility of the customer and/or the contractor to ensure the component suitability of the intended application, and to verify the dimensions and loads.

Lumber

1. Dry service conditions, unless noted otherwise
2. LVL not to be treated with fire retardant or corrosive chemicals

Handling & Installation

1. LVL beams must not be cut or drilled
2. Refer to manufacturer's product information regarding installation requirements, multi-ply fastening details, beam strength values, and code approvals
3. Damaged Beams must not be used
4. Design assumes top edge is laterally restrained
5. Provide lateral support at bearing points to avoid lateral displacement and rotation

6. For flat roofs provide proper drainage to prevent ponding

This design is valid until 11/3/2024

Manufacturer Info

Metsä Wood
 301 Merritt 7 Building, 2nd Floor
 Norwalk, CT 06851
 (800) 622-5850
www.metsawood.com/us

Comtech, Inc.
 1001 S. Reilly Road, Suite #639
 Fayetteville, NC
 USA
 28314
 910-864-TRUS



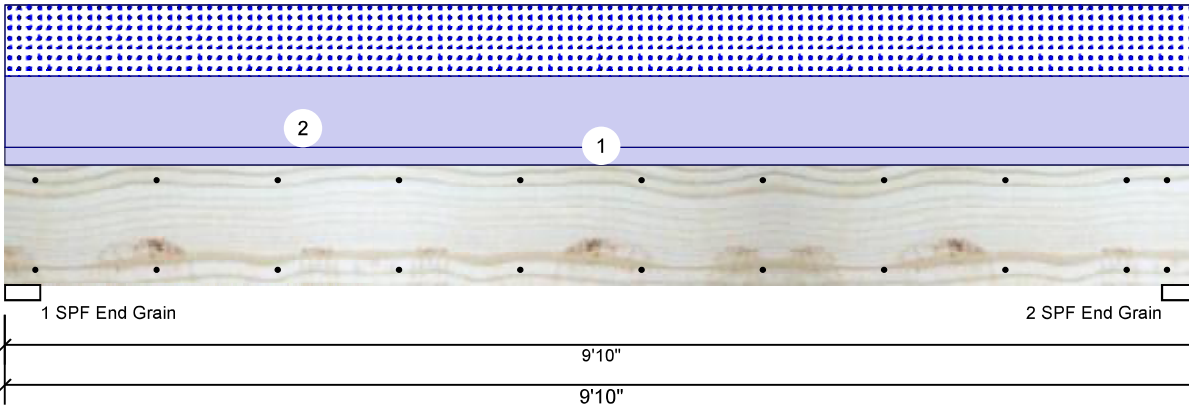


Client: Weaver Development Co. Inc.
 Project: Halifax II
 Address: 203 Mitchell Manor Dr.
 Angier, NC 27501

Date: 5/12/2022
 Input by: David Landry
 Job Name: Lot 6 Mitchell Manor
 Project #: J0522-2435

GDH2 Kerto-S LVL 1.750" X 11.875" 2-Ply - PASSED

Level: Level



Member Information

Type:	Girder
Plies:	2
Moisture Condition:	Dry
Deflection LL:	480
Deflection TL:	360
Importance:	Normal - II
Temperature:	Temp <= 100°F

Application:	Floor
Design Method:	ASD
Building Code:	IBC/IRC 2015
Load Sharing:	No
Deck:	Not Checked

Reactions UNPATTERNED lb (Uplift)

Brg	Direction	Live	Dead	Snow	Wind	Const
1	Vertical	0	1530	1190	0	0
2	Vertical	0	1530	1190	0	0

Bearings

Bearing	Length	Dir.	Cap.	React D/L lb	Total	Ld. Case	Ld. Comb.
1 - SPF End Grain	3.500"	Vert	26%	1530 / 1190	2720	L	D+S
2 - SPF End Grain	3.500"	Vert	26%	1530 / 1190	2720	L	D+S

Analysis Results

Analysis	Actual	Location	Allowed	Capacity	Comb.	Case
Moment	6078 ft-lb	4'11"	22897 ft-lb	0.265 (27%)	D+S	L
Unbraced	6078 ft-lb	4'11"	9857 ft-lb	0.617 (62%)	D+S	L
Shear	2020 lb	8'6 5/8"	10197 lb	0.198 (20%)	D+S	L
LL Defl inch	0.050 (L/2231)	4'11"	0.234 (L/480)	0.215 (22%)	S	L
TL Defl inch	0.115 (L/976)	4'11"	0.312 (L/360)	0.369 (37%)	D+S	L

Design Notes

- 1 Provide support to prevent lateral movement and rotation at the end bearings. Lateral support may also be required at the interior bearings by the building code.
- 2 Fasten all plies using 2 rows of 10d Box nails (.128x3") at 12" o.c. Maximum end distance not to exceed 6".
- 3 Refer to last page of calculations for fasteners required for specified loads.
- 4 Girders are designed to be supported on the bottom edge only.
- 5 Top loads must be supported equally by all plies.
- 6 Top must be laterally braced at end bearings.
- 7 Bottom must be laterally braced at end bearings.
- 8 Lateral slenderness ratio based on single ply width.

ID	Load Type	Location	Trib Width	Side	Dead 0.9	Live 1	Snow 1.15	Wind 1.6	Const. 1.25	Comments
1	Uniform			Top	60 PLF	0 PLF	0 PLF	0 PLF	0 PLF	Wall Above
2	Uniform			Top	242 PLF	0 PLF	242 PLF	0 PLF	0 PLF	H1
	Self Weight				9 PLF					

Notes
 Calculated Structured Designs is responsible only of the structural adequacy of this component based on the design criteria and loadings shown. It is the responsibility of the customer and/or the contractor to ensure the component suitability of the intended application, and to verify the dimensions and loads.

Lumber
 1. Dry service conditions, unless noted otherwise
 2. LVL not to be treated with fire retardant or corrosive chemicals

Handling & Installation
 1. LVL beams must not be cut or drilled
 2. Refer to manufacturer's product information regarding installation requirements, multi-ply fastening details, beam strength values, and code approvals
 3. Damaged Beams must not be used
 4. Design assumes top edge is laterally restrained
 5. Provide lateral support at bearing points to avoid lateral displacement and rotation

6. For flat roofs provide proper drainage to prevent ponding

This design is valid until 11/3/2024

Manufacturer Info
 Metsä Wood
 301 Merritt 7 Building, 2nd Floor
 Norwalk, CT 06851
 (800) 622-5850
 www.metsawood.com/us

Comtech, Inc.
 1001 S. Reilly Road, Suite #639
 Fayetteville, NC
 USA
 28314
 910-864-TRUS

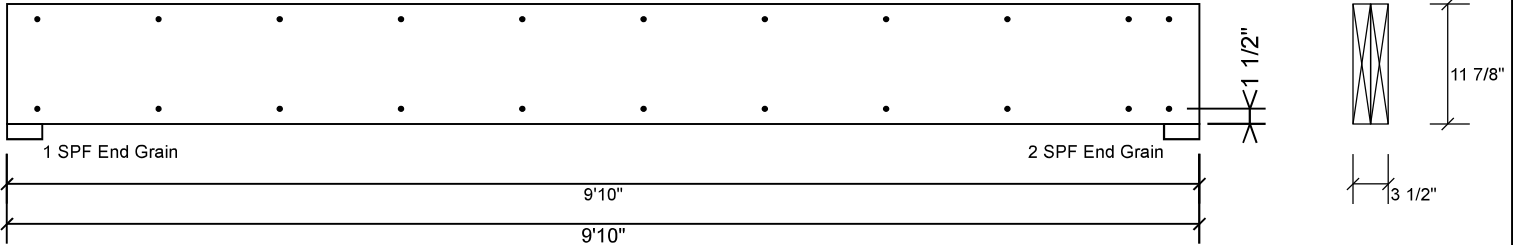


Client: Weaver Development Co. Inc.
 Project: Halifax II
 Address: 203 Mitchell Manor Dr.
 Angier, NC 27501

Date: 5/12/2022
 Input by: David Landry
 Job Name: Lot 6 Mitchell Manor
 Project #: J0522-2435

GDH2 Kerto-S LVL 1.750" X 11.875" 2-Ply - PASSED

Level: Level



Multi-Ply Analysis

Fasten all plies using 2 rows of 10d Box nails (.128x3") at 12" o.c.. Maximum end distance not to exceed 6".

Capacity	0.0 %
Load	0.0 PLF
Yield Limit per Foot	163.7 PLF
Yield Limit per Fastener	81.9 lb.
Yield Mode	IV
Edge Distance	1 1/2"
Min. End Distance	3"
Load Combination	
Duration Factor	1.00

Notes

Calculated Structured Designs is responsible only of the structural adequacy of this component based on the design criteria and loadings shown. It is the responsibility of the customer and/or the contractor to ensure the component suitability of the intended application, and to verify the dimensions and loads.

Lumber

1. Dry service conditions, unless noted otherwise
2. LVL not to be treated with fire retardant or corrosive

Handling & Installation

1. LVL beams must not be cut or drilled
2. Refer to manufacturer's product information regarding installation requirements, multi-ply fastening details, beam strength values, and code approvals
3. Damaged Beams must not be used
4. Design assumes top edge is laterally restrained
5. Provide lateral support at bearing points to avoid lateral displacement and rotation

6. For flat roofs provide proper drainage to prevent ponding

This design is valid until 11/3/2024

Manufacturer Info

Metsä Wood
 301 Merritt 7 Building, 2nd Floor
 Norwalk, CT 06851
 (800) 622-5850
www.metsawood.com/us

Comtech, Inc.
 1001 S. Reilly Road, Suite #639
 Fayetteville, NC
 USA
 28314
 910-864-TRUS





Trenco
818 Soundside Rd
Edenton, NC 27932

Re: J0522-2435
Lot 6 Mitchell Manor

The truss drawing(s) referenced below have been prepared by Truss Engineering Co. under my direct supervision based on the parameters provided by Comtech, Inc - Fayetteville.

Pages or sheets covered by this seal: I51907485 thru I51907513

My license renewal date for the state of North Carolina is December 31, 2022.

North Carolina COA: C-0844



May 12, 2022

Gilbert, Eric

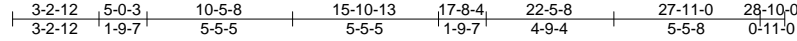
IMPORTANT NOTE: The seal on these truss component designs is a certification that the engineer named is licensed in the jurisdiction(s) identified and that the designs comply with ANSI/TPI 1. These designs are based upon parameters shown (e.g., loads, supports, dimensions, shapes and design codes), which were given to MiTek or TRENCO. Any project specific information included is for MiTek's or TRENCO's customers file reference purpose only, and was not taken into account in the preparation of these designs. MiTek or TRENCO has not independently verified the applicability of the design parameters or the designs for any particular building. Before use, the building designer should verify applicability of design parameters and properly incorporate these designs into the overall building design per ANSI/TPI 1, Chapter 2.

Job	Truss	Truss Type	Qty	Ply	Lot 6 Mitchell Manor	151907485
J0522-2435	A1	ATTIC	8	1		

Comtech, Inc. Fayetteville, NC - 28314,

8.430 s Aug 16 2021 MiTek Industries, Inc. Thu May 12 08:14:32 2022 Page 1

ID:G?Mgu2wAOefhMizVCCS4xvzzRIE-9IH9dqKxNIF?EctwNFItDJaNqRVMUIFYBOAOAzHh5



6x8 =

Scale = 1:86.0

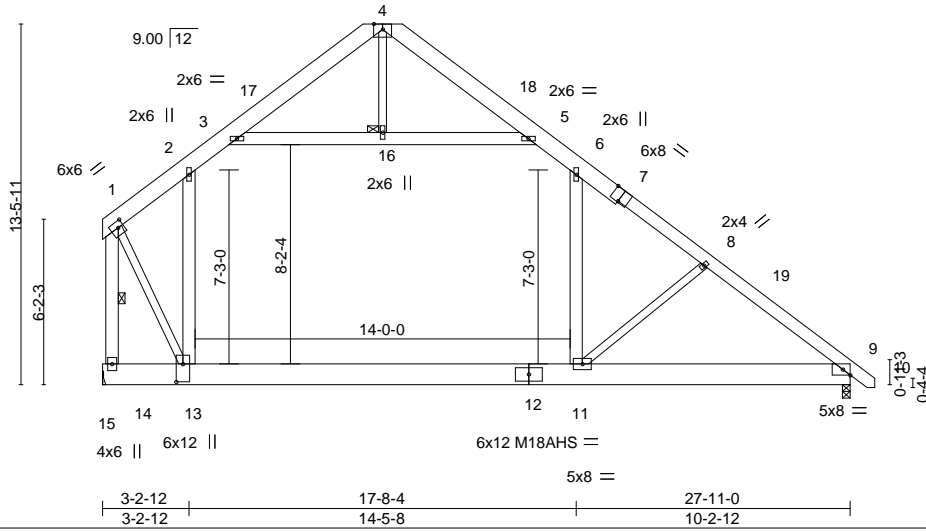


Plate Offsets (X,Y)-- [1:0-2-8,0-2-12], [7:0-4-0,Edge], [9:0-3-5,Edge], [13:0-8-0,0-3-0]

LOADING (psf)	SPACING-	CSI.	DEFL.	in (loc)	l/defl	L/d	PLATES	GRIP
TCLL 20.0	Plate Grip DOL 1.15	TC 0.59	Vert(LL) -0.30	11-13	>999	360	MT20	244/190
TCDL 10.0	Lumber DOL 1.15	BC 0.69	Vert(CT) -0.61	11-13	>538	240	M18AHS	186/179
BCLL 0.0 *	Rep Stress Incr YES	WB 0.72	Horz(CT) 0.02	9	n/a	n/a		
BCDL 10.0	Code IRC2015/TPI2014	Matrix-S	Wind(LL) 0.21	9-11	>999	240		
							Weight: 307 lb	FT = 20%

LUMBER-

TOP CHORD 2x8 SP No.1 *Except*
7-10: 2x6 SP No.1
BOT CHORD 2x10 SP 2400F 2.0E *Except*
9-12: 2x10 SP No.1
WEBS 2x6 SP No.1 *Except*
8-11,4-16,1-13: 2x4 SP No.2

BRACING-

TOP CHORD Structural wood sheathing directly applied or 4-5-13 oc purlins, except end verticals.
BOT CHORD Rigid ceiling directly applied or 5-11-10 oc bracing.
WEBS 1 Row at midpt 1-14
JOINTS 1 Brace at Jt(s): 16

REACTIONS.

(size) 14=Mechanical, 9=0-3-8
Max Horz 14=-317(LC 8)
Max Grav 14=2033(LC 21), 9=1665(LC 21)

FORCES. (lb) - Max. Comp./Max. Ten. - All forces 250 (lb) or less except when shown.

TOP CHORD 1-2=-1625/0, 2-3=-1477/112, 3-4=-556/107, 4-5=-411/104, 5-6=-1312/102, 6-8=-1903/0, 8-9=-2117/0, 1-14=-3612/0
BOT CHORD 13-14=-267/321, 11-13=0/1397, 9-11=0/1642
WEBS 2-13=-362/304, 6-11=0/784, 8-11=-523/203, 3-16=-1122/83, 5-16=-1122/83, 1-13=0/3077

NOTES-

- Unbalanced roof live loads have been considered for this design.
- Wind: ASCE 7-10; Vult=130mph Vasd=103mph; TCDL=6.0psf; BCDL=6.0psf; h=15ft; Cat. II; Exp C; Enclosed; MWFRS (envelope) and C-C Exterior(2) 0-4-4 to 4-6-6, Interior(1) 4-6-6 to 10-5-8, Exterior(2) 10-5-8 to 14-10-5, Interior(1) 14-10-5 to 28-8-4 zone;C-C for members and forces & MWFRS for reactions shown; Lumber DOL=1.60 plate grip DOL=1.60
- All plates are MT20 plates unless otherwise indicated.
- This truss has been designed for a 10.0 psf bottom chord live load nonconcurrent with any other live loads.
- * This truss has been designed for a live load of 30.0psf on the bottom chord in all areas where a rectangle 3-6-0 tall by 2-0-0 wide will fit between the bottom chord and any other members.
- Ceiling dead load (10.0 psf) on member(s). 2-3, 5-6, 3-16, 5-16; Wall dead load (5.0psf) on member(s).2-13, 6-11
- Bottom chord live load (40.0 psf) and additional bottom chord dead load (10.0 psf) applied only to room. 11-13
- Refer to girder(s) for truss to truss connections.
- Attic room checked for L/360 deflection.



May 12, 2022

WARNING - Verify design parameters and READ NOTES ON THIS AND INCLUDED MITEK REFERENCE PAGE MII-7473 rev. 5/19/2020 BEFORE USE.

Design valid for use only with MiTek® connectors. This design is based only upon parameters shown, and is for an individual building component, not a truss system. Before use, the building designer must verify the applicability of design parameters and properly incorporate this design into the overall building design. Bracing indicated is to prevent buckling of individual truss web and/or chord members only. Additional temporary and permanent bracing is always required for stability and to prevent collapse with possible personal injury and property damage. For general guidance regarding the fabrication, storage, delivery, erection and bracing of trusses and truss systems, see

ANSI/TPI1 Quality Criteria, DSB-89 and BCSI Building Component

Safety Information available from Truss Plate Institute, 2670 Crain Highway, Suite 203 Waldorf, MD 20601



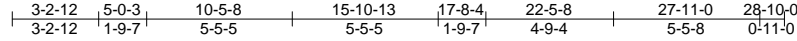
818 Soundside Road
Edenton, NC 27932

Job	Truss	Truss Type	Qty	Ply	Lot 6 Mitchell Manor	151907486
J0522-2435	A1GE	GABLE	1	1	Job Reference (optional)	

Comtech, Inc., Fayetteville, NC - 28314,

8.430 s Aug 16 2021 MiTek Industries, Inc. Thu May 12 08:14:33 2022 Page 1

ID:G?Mgu2wAOefhMIzVCCS4xvzzRIE-eUqXrALZ8cNssmS6xNmXQRsICE5w4Pmr8jczHIh4



6x8 =

Scale = 1:86.0

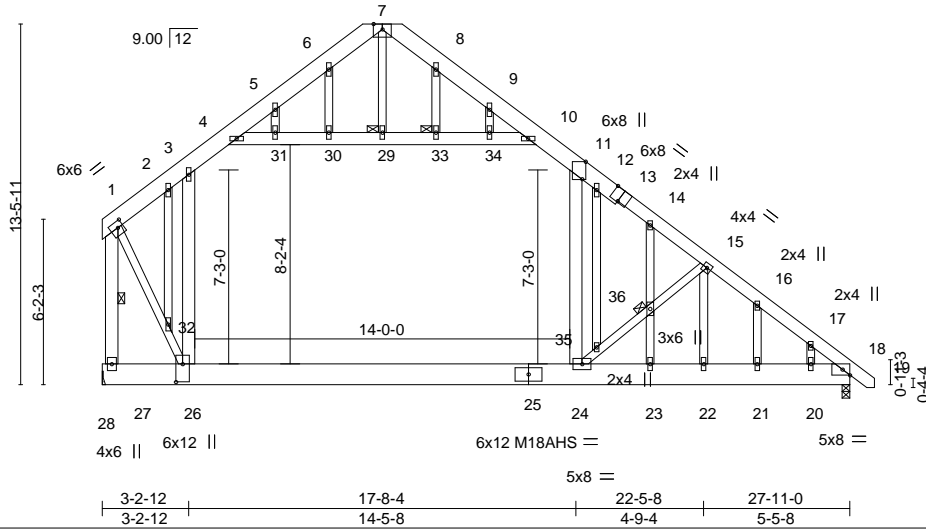


Plate Offsets (X,Y)-- [1:0-2-8,0-2-12], [11:0-7-14,Edge], [13:0-4-0,Edge], [18:0-3-5,Edge], [26:0-8-0,0-3-0]

LOADING (psf)	SPACING-	CSI.	DEFL.	in (loc)	l/defl	L/d	PLATES	GRIP
TCLL 20.0	Plate Grip DOL 1.15	TC 0.58	Vert(LL) -0.28	24-26	>999	360	MT20	244/190
TCDL 10.0	Lumber DOL 1.15	BC 0.67	Vert(CT) -0.57	24-26	>579	240	M18AHS	186/179
BCLL 0.0 *	Rep Stress Incr YES	WB 0.78	Horz(CT) 0.02	18	n/a	n/a		
BCDL 10.0	Code IRC2015/TPI2014	Matrix-S	Wind(LL) 0.26	24	>999	240		
							Weight: 352 lb	FT = 20%

LUMBER-

TOP CHORD 2x8 SP No.1 *Except*
13-19: 2x6 SP No.1
BOT CHORD 2x10 SP 2400F 2.0E *Except*
18-25: 2x10 SP No.1
WEBS 2x6 SP No.1 *Except*
15-24,7-29,1-26,15-22: 2x4 SP No.2
OTHERS 2x4 SP No.2

BRACING-

TOP CHORD Structural wood sheathing directly applied or 5-0-7 oc purlins, except end verticals.
BOT CHORD Rigid ceiling directly applied or 10-0-0 oc bracing, Except:
6-2-6 oc bracing: 26-27
6-6-8 oc bracing: 24-26.
WEBS 1 Row at midpt 1-27
JOINTS 1 Brace at Jt(s): 29, 33, 36

REACTIONS.

(size) 27=Mechanical, 18=0-3-8
Max Horz 27=-432(LC 13)
Max Uplift 18=-35(LC 13)
Max Grav 27=2032(LC 21), 18=1669(LC 21)

FORCES. (lb) - Max. Comp./Max. Ten. - All forces 250 (lb) or less except when shown.

TOP CHORD 1-2=-1613/0, 2-3=-1516/0, 3-4=-1471/166, 4-5=-656/111, 5-6=-453/132, 6-7=-432/188,
7-8=-345/181, 8-9=-399/132, 9-10=-401/114, 10-11=-1295/156, 11-12=-1925/44,
12-14=-1885/8, 14-15=-1743/0, 15-16=-2232/131, 16-17=-2287/79, 17-18=-2454/0,
1-27=-3565/0
BOT CHORD 26-27=-326/435, 24-26=0/1410, 23-24=0/1780, 22-23=0/1780, 21-22=0/1751,
20-21=0/1751, 18-20=0/1751
WEBS 3-26=-407/223, 11-24=0/1075, 24-35=-994/479, 35-36=-812/423, 15-36=-811/415,
4-31=-1087/103, 30-31=-1077/104, 29-30=-1078/104, 29-33=-1078/104, 33-34=-1078/104,
10-34=-1073/102, 1-32=-10/3046, 26-32=-19/3104, 5-31=-9/358, 12-35=-261/81,
14-36=-400/35, 23-36=-399/25, 15-22=-247/660

NOTES-

- Unbalanced roof live loads have been considered for this design.
- Wind: ASCE 7-10; Vult=130mph Vasd=103mph; TCDL=6.0psf; BCDL=6.0psf; h=15ft; Cat. II; Exp C; Enclosed; MWFRS (envelope) gable end zone and C-C Exterior(2) zone; C-C for members and forces & MWFRS for reactions shown; Lumber DOL=1.60 plate grip DOL=1.60
- Truss designed for wind loads in the plane of the truss only. For studs exposed to wind (normal to the face), see Standard Industry Gable End Details as applicable, or consult qualified building designer as per ANSI/TPI 1.
- All plates are MT20 plates unless otherwise indicated.
- All plates are 2x6 MT20 unless otherwise indicated.
- Gable studs spaced at 2-0-0 oc.
- This truss has been designed for a 10.0 psf bottom chord live load nonconcurrent with any other live loads.
- * This truss has been designed for a live load of 30.0psf on the bottom chord in all areas where a rectangle 3-6-0 tall by 2-0-0 wide will fit between the bottom chord and any other members.
- Ceiling dead load (10.0 psf) on member(s). 3-4, 10-11, 4-31, 30-31, 29-30, 29-33, 33-34, 10-34; Wall dead load (5.0psf) on member(s). 3-26, 11-24

Continuous ceiling load (40.0 psf) and additional bottom chord dead load (10.0 psf) applied only to room. 24-26



May 12, 2022

WARNING - Verify design parameters and READ NOTES ON THIS AND INCLUDED MITEK REFERENCE PAGE MII-7473 rev. 5/19/2020 BEFORE USE.

Design valid for use only with MiTek® connectors. This design is based only upon parameters shown, and is for an individual building component, not a truss system. Before use, the building designer must verify the applicability of design parameters and properly incorporate this design into the overall building design. Bracing indicated is to prevent buckling of individual truss web and/or chord members only. Additional temporary and permanent bracing is always required for stability and to prevent collapse with possible personal injury and property damage. For general guidance regarding the fabrication, storage, delivery, erection and bracing of trusses and truss systems, see **ANSI/TPI1 Quality Criteria, DSB-89 and BCSI Building Component Safety Information** available from Truss Plate Institute, 2670 Crain Highway, Suite 203 Waldorf, MD 20601



818 Soundside Road
Edenton, NC 27932

Job	Truss	Truss Type	Qty	Ply	Lot 6 Mitchell Manor	I51907486
J0522-2435	A1GE	GABLE	1	1	Job Reference (optional)	

Comtech, Inc, Fayetteville, NC - 28314,

8.430 s Aug 16 2021 MiTek Industries, Inc. Thu May 12 08:14:33 2022 Page 2
 ID:G?Mgu2wAOefhMIzVCCS4xvzzRiE-eUqXrALZ8cNssmS6xNmXQRslCEn55w4Pmr8jxczHlh4

NOTES-

- 11) Refer to girder(s) for truss to truss connections.
- 12) Provide mechanical connection (by others) of truss to bearing plate capable of withstanding 100 lb uplift at joint(s) 18.
- 13) Attic room checked for L/360 deflection.

WARNING - Verify design parameters and READ NOTES ON THIS AND INCLUDED MITEK REFERENCE PAGE MII-7473 rev. 5/19/2020 BEFORE USE.

Design valid for use only with MiTek® connectors. This design is based only upon parameters shown, and is for an individual building component, not a truss system. Before use, the building designer must verify the applicability of design parameters and properly incorporate this design into the overall building design. Bracing indicated is to prevent buckling of individual truss web and/or chord members only. Additional temporary and permanent bracing is always required for stability and to prevent collapse with possible personal injury and property damage. For general guidance regarding the fabrication, storage, delivery, erection and bracing of trusses and truss systems, see **ANSI/TPI1 Quality Criteria, DSB-89 and BCSI Building Component Safety Information** available from Truss Plate Institute, 2670 Crain Highway, Suite 203 Waldorf, MD 20601



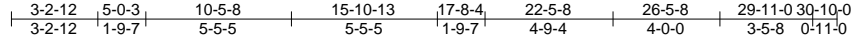
818 Soundside Road
 Edenton, NC 27932

Job	Truss	Truss Type	Qty	Ply	Lot 6 Mitchell Manor	151907487
J0522-2435	A2	ATTIC	4	1		

Comtech, Inc. Fayetteville, NC - 28314,

8.430 s Aug 16 2021 MiTek Industries, Inc. Thu May 12 08:14:34 2022 Page 1

ID:G?Mgu2wAOefhMlzVCCS4xvzzRiE-6gOv2WMBvVjTw11V4HmzePzbe6EqK0Y?VtHTz2zHh3



6x8 =

Scale = 1:86.0

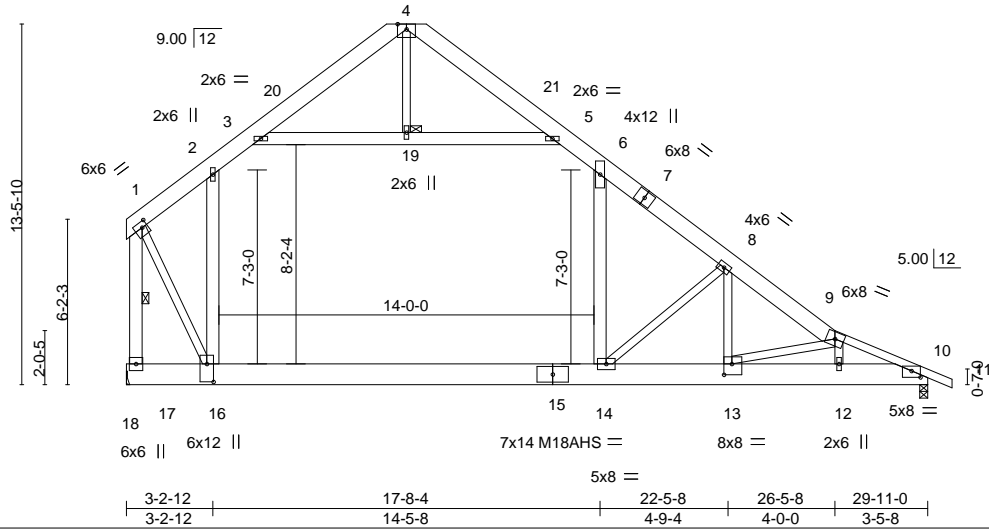


Plate Offsets (X,Y)-- [1:0-2-8,0-2-8], [10:0-4-0,0-2-14], [13:0-3-8,0-4-12], [16:0-8-0,0-3-0]

LOADING (psf)	SPACING-	CSI.	DEFL.	in (loc)	l/defl	L/d	PLATES	GRIP
TCLL 20.0	Plate Grip DOL 1.15	TC 0.42	Vert(LL) -0.36	14-16	>978	360	MT20	244/190
TCDL 10.0	Lumber DOL 1.15	BC 0.74	Vert(CT) -0.74	14-16	>479	240	M18AHS	186/179
BCLL 0.0 *	Rep Stress Incr YES	WB 0.99	Horz(CT) 0.02	10	n/a	n/a		
BCDL 10.0	Code IRC2015/TPI2014	Matrix-S	Wind(LL) 0.22	14	>999	240		
							Weight: 334 lb	FT = 20%

LUMBER-

TOP CHORD 2x8 SP 2400F 2.0E *Except*
9-11: 2x4 SP No.1
BOT CHORD 2x10 SP 2400F 2.0E
WEBS 2x4 SP No.2 *Except*
2-16,6-14,3-5,1-17: 2x6 SP No.1

BRACING-

TOP CHORD Structural wood sheathing directly applied or 3-6-9 oc purlins, except end verticals.
BOT CHORD Rigid ceiling directly applied or 5-6-5 oc bracing.
WEBS 1 Row at midpt 1-17
JOINTS 1 Brace at Jt(s): 19

REACTIONS.

(size) 17=Mechanical, 10=0-3-8
Max Horz 17=-320(LC 8)
Max Grav 17=2144(LC 21), 10=1640(LC 21)

FORCES. (lb) - Max. Comp./Max. Ten. - All forces 250 (lb) or less except when shown.

TOP CHORD 1-2=-1710/0, 2-3=-1583/108, 3-4=-573/106, 4-5=-392/105, 5-6=-1377/102, 6-8=-2121/0, 8-9=-3066/14, 9-10=-2966/3, 1-17=-3817/0
BOT CHORD 16-17=-219/323, 14-16=0/1512, 13-14=0/2530, 12-13=0/2793, 10-12=0/2680
WEBS 2-16=-372/266, 6-14=0/1019, 8-14=-1601/216, 9-12=-533/69, 3-19=-1220/78, 5-19=-1220/78, 1-16=0/3299, 8-13=-80/1003, 9-13=-314/97

NOTES-

- Unbalanced roof live loads have been considered for this design.
- Wind: ASCE 7-10; Vult=130mph Vasd=103mph; TCDL=6.0psf; BCDL=6.0psf; h=15ft; Cat. II; Exp C; Enclosed; MWFRS (envelope) and C-C Exterior(2) 0-4-4 to 4-6-6, Interior(1) 4-6-6 to 10-5-8, Exterior(2) 10-5-8 to 14-10-5, Interior(1) 14-10-5 to 30-10-0 zone;C-C for members and forces & MWFRS for reactions shown; Lumber DOL=1.60 plate grip DOL=1.60
- All plates are MT20 plates unless otherwise indicated.
- This truss has been designed for a 10.0 psf bottom chord live load nonconcurrent with any other live loads.
- * This truss has been designed for a live load of 30.0psf on the bottom chord in all areas where a rectangle 3-6-0 tall by 2-0-0 wide will fit between the bottom chord and any other members.
- Ceiling dead load (10.0 psf) on member(s). 2-3, 5-6, 3-19, 5-19; Wall dead load (5.0psf) on member(s).2-16, 6-14
- Bottom chord live load (40.0 psf) and additional bottom chord dead load (10.0 psf) applied only to room. 14-16
- Refer to girder(s) for truss to truss connections.
- Attic room checked for L/360 deflection.



May 12, 2022

WARNING - Verify design parameters and READ NOTES ON THIS AND INCLUDED MITEK REFERENCE PAGE MII-7473 rev. 5/19/2020 BEFORE USE.

Design valid for use only with MiTek® connectors. This design is based only upon parameters shown, and is for an individual building component, not a truss system. Before use, the building designer must verify the applicability of design parameters and properly incorporate this design into the overall building design. Bracing indicated is to prevent buckling of individual truss web and/or chord members only. Additional temporary and permanent bracing is always required for stability and to prevent collapse with possible personal injury and property damage. For general guidance regarding the fabrication, storage, delivery, erection and bracing of trusses and truss systems, see **ANSI/TPI1 Quality Criteria, DSB-89 and BCSI Building Component Safety Information** available from Truss Plate Institute, 2670 Crain Highway, Suite 203 Waldorf, MD 20601



818 Soundside Road
Edenton, NC 27932

Job	Truss	Truss Type	Qty	Ply	Lot 6 Mitchell Manor	151907488
J0522-2435	A3	ATTIC	2	1	Job Reference (optional)	

Comtech, Inc., Fayetteville, NC - 28314,

8.430 s Aug 16 2021 MiTek Industries, Inc. Thu May 12 08:14:35 2022 Page 1

ID:G?Mgu2wAOefhMlzVCCS4xvzzRIE-asyIFsNpgDda54cV2no?Vsx5Q2S?ZrThE9dq?UzHh2



6x8 =

Scale = 1:87.1

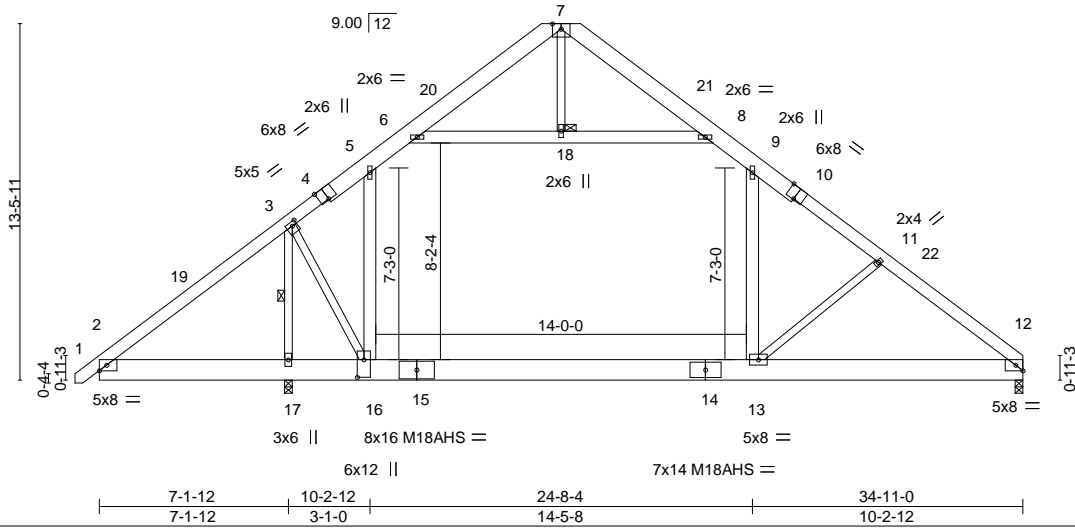


Plate Offsets (X,Y)-- [3:0-2-4,0-1-12], [4:0-4-0,Edge], [10:0-4-0,Edge], [12:0-3-5,Edge], [16:0-8-0,0-3-0]

LOADING (psf)	SPACING-	CSI.	DEFL.	PLATES	GRIP
TCLL 20.0	Plate Grip DOL 1.15	TC 0.60	Vert(LL) -0.32 13-16 >999 360	MT20	244/190
TCDL 10.0	Lumber DOL 1.15	BC 0.71	Vert(CT) -0.67 13-16 >495 240	M18AHS	186/179
BCLL 0.0 *	Rep Stress Incr YES	WB 0.72	Horz(CT) 0.01 12 n/a n/a		
BCDL 10.0	Code IRC2015/TPI2014	Matrix-S	Wind(LL) 0.21 13 >999 240		
				Weight: 349 lb	FT = 20%

LUMBER-

TOP CHORD 2x8 SP No.1 *Except*
1-4,10-12: 2x6 SP No.1
BOT CHORD 2x10 SP 2400F 2.0E
WEBS 2x4 SP No.2 *Except*
5-16,9-13,6-8: 2x6 SP No.1

BRACING-

TOP CHORD Structural wood sheathing directly applied or 4-7-1 oc purlins.
BOT CHORD Rigid ceiling directly applied or 5-7-4 oc bracing.
WEBS 1 Row at midpt 3-17
JOINTS 1 Brace at Jt(s): 18

REACTIONS.

(size) 17=0-3-8, 12=0-3-8
Max Horz 17=323(LC 9)
Max Grav 17=2585(LC 2), 12=1558(LC 21)

FORCES. (lb) - Max. Comp./Max. Ten. - All forces 250 (lb) or less except when shown.

TOP CHORD 2-3=-359/523, 3-5=-1443/0, 5-6=-1383/35, 6-7=-583/127, 7-8=-419/108, 8-9=-1216/43,
9-11=-1770/0, 11-12=-1987/0
BOT CHORD 2-17=-366/407, 16-17=-456/389, 13-16=0/1282, 12-13=0/1537
WEBS 3-17=-3830/192, 3-16=0/3169, 5-16=-533/223, 9-13=0/749, 11-13=-530/237,
6-18=-1007/0, 8-18=-1007/0

NOTES-

- Unbalanced roof live loads have been considered for this design.
- Wind: ASCE 7-10; Vult=130mph Vasd=103mph; TCDL=6.0psf; BCDL=6.0psf; h=15ft; Cat. II; Exp C; Enclosed; MWFRS (envelope) and C-C Exterior(2) -0-9-4 to 3-7-9, Interior(1) 3-7-9 to 17-5-8, Exterior(2) 17-5-8 to 21-10-5, Interior(1) 21-10-5 to 34-9-4 zone; cantilever left exposed ;C-C for members and forces & MWFRS for reactions shown; Lumber DOL=1.60 plate grip DOL=1.60
- All plates are MT20 plates unless otherwise indicated.
- This truss has been designed for a 10.0 psf bottom chord live load nonconcurrent with any other live loads.
- * This truss has been designed for a live load of 30.0psf on the bottom chord in all areas where a rectangle 3-6-0 tall by 2-0-0 wide will fit between the bottom chord and any other members.
- Ceiling dead load (10.0 psf) on member(s). 5-6, 8-9, 6-18, 8-18; Wall dead load (5.0psf) on member(s).5-16, 9-13
- Bottom chord live load (40.0 psf) and additional bottom chord dead load (10.0 psf) applied only to room. 13-16
- See Standard Industry Piggyback Truss Connection Detail for Connection to base truss as applicable, or consult qualified building designer.
- Attic room checked for L/360 deflection.



May 12, 2022

WARNING - Verify design parameters and READ NOTES ON THIS AND INCLUDED MITEK REFERENCE PAGE MII-7473 rev. 5/19/2020 BEFORE USE.

Design valid for use only with MiTek® connectors. This design is based only upon parameters shown, and is for an individual building component, not a truss system. Before use, the building designer must verify the applicability of design parameters and properly incorporate this design into the overall building design. Bracing indicated is to prevent buckling of individual truss web and/or chord members only. Additional temporary and permanent bracing is always required for stability and to prevent collapse with possible personal injury and property damage. For general guidance regarding the fabrication, storage, delivery, erection and bracing of trusses and truss systems, see

ANSI/TPI1 Quality Criteria, DSB-89 and BCSI Building Component

Safety Information available from Truss Plate Institute, 2670 Crain Highway, Suite 203 Waldorf, MD 20601



818 Soundside Road
Edenton, NC 27932

Job	Truss	Truss Type	Qty	Ply	Lot 6 Mitchell Manor	151907489
J0522-2435	A3A	ATTIC	1	2	Job Reference (optional)	

Comtech, Inc. Fayetteville, NC - 28314,

8.430 s Aug 16 2021 MiTek Industries, Inc. Thu May 12 08:14:36 2022 Page 1

ID:G?Mgu2wAOefhMizVCCS4xvzzRIE-23WgTCORRxiQjDBhcVJE23UJqSjEIGYrSoMOXxzHlh1



6x8 =

Scale = 1:87.1

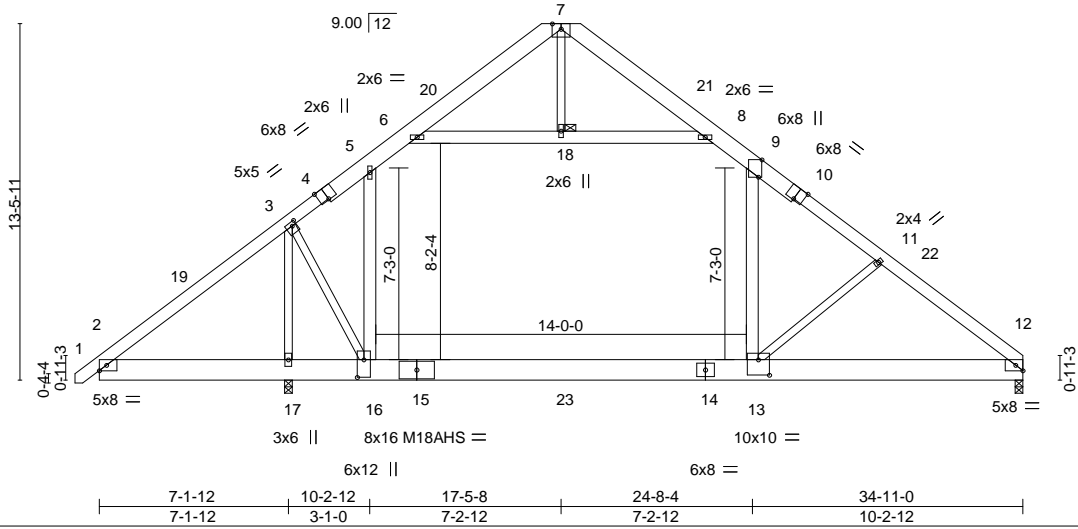


Plate Offsets (X,Y)-- [3:0-2-0,0-1-12], [4:0-4-0,Edge], [9:0-7-14,Edge], [10:0-4-0,Edge], [12:0-3-5,Edge], [13:0-5-0,0-7-0], [16:0-8-0,0-3-0]

LOADING (psf)	SPACING-	CSI.	DEFL.	PLATES	GRIP
TCLL 20.0	Plate Grip DOL 1.15	TC 0.43	Vert(LL) -0.44 13-16 >747 360	MT20	244/190
TCDL 10.0	Lumber DOL 1.15	BC 0.96	Vert(CT) -0.71 13-16 >468 240	M18AHS	186/179
BCLL 0.0 *	Rep Stress Incr NO	WB 0.86	Horz(CT) 0.01 12 n/a n/a		
BCDL 10.0	Code IRC2015/TPI2014	Matrix-S	Wind(LL) 0.20 13-16 >999 240		
				Weight: 699 lb	FT = 20%

LUMBER-

TOP CHORD 2x8 SP 2400F 2.0E *Except*
1-4,10-12: 2x6 SP 2400F 2.0E
BOT CHORD 2x10 SP 2400F 2.0E
WEBS 2x4 SP No.2 *Except*
5-16,9-13,6-8: 2x6 SP No.1

BRACING-

TOP CHORD Structural wood sheathing directly applied or 6-0-0 oc purlins.
BOT CHORD Rigid ceiling directly applied or 6-0-0 oc bracing.
JOINTS 1 Brace at Jt(s): 18

REACTIONS.

(size) 17=0-3-8, 12=0-3-8
Max Horz 17=323(LC 11)
Max Grav 17=4603(LC 21), 12=2767(LC 21)

FORCES. (lb) - Max. Comp./Max. Ten. - All forces 250 (lb) or less except when shown.

TOP CHORD 2-3=-359/514, 3-5=-3511/152, 5-6=-2754/232, 6-7=-542/115, 7-8=-302/99,
8-9=-2471/221, 9-11=-4020/206, 11-12=-4280/227
BOT CHORD 2-17=-357/405, 16-17=-440/387, 13-16=0/2920, 12-13=-78/3320
WEBS 3-17=-8046/801, 3-16=-480/6540, 5-16=-88/1207, 9-13=-84/2257, 11-13=-732/263,
6-18=-2795/253, 8-18=-2795/253

NOTES-

- 2-ply truss to be connected together with 10d (0.131"x3") nails as follows:
Top chords connected as follows: 2x6 - 2 rows staggered at 0-9-0 oc, 2x8 - 2 rows staggered at 0-9-0 oc.
Bottom chords connected as follows: 2x10 - 2 rows staggered at 0-3-0 oc.
Webs connected as follows: 2x4 - 1 row at 0-9-0 oc, 2x6 - 2 rows staggered at 0-9-0 oc.
- All loads are considered equally applied to all plies, except if noted as front (F) or back (B) face in the LOAD CASE(S) section. Ply to ply connections have been provided to distribute only loads noted as (F) or (B), unless otherwise indicated.
- Unbalanced roof live loads have been considered for this design.
- Wind: ASCE 7-10; Vult=130mph Vasd=103mph; TCDL=6.0psf; BCDL=6.0psf; h=15ft; Cat. II; Exp C; Enclosed; MWFRS (envelope) and C-C Exterior(2) 0-9-4 to 3-7-9, Interior(1) 3-7-9 to 17-5-8, Exterior(2) 17-5-8 to 21-10-5, Interior(1) 21-10-5 to 34-9-4 zone; cantilever left exposed ;C-C for members and forces & MWFRS for reactions shown; Lumber DOL=1.60 plate grip DOL=1.60
- All plates are MT20 plates unless otherwise indicated.
- This truss has been designed for a 10.0 psf bottom chord live load nonconcurrent with any other live loads.
- * This truss has been designed for a live load of 30.0psf on the bottom chord in all areas where a rectangle 3-6-0 tall by 2-0-0 wide will fit between the bottom chord and any other members.
- Ceiling dead load (10.0 psf) on member(s). 5-6, 8-9, 6-18, 8-18; Wall dead load (5.0psf) on member(s).5-16, 9-13
- Bottom chord live load (40.0 psf) and additional bottom chord dead load (10.0 psf) applied only to room. 13-16
- See Standard Industry Piggyback Truss Connection Detail for Connection to base truss as applicable, or consult qualified building designer.
- Hanger(s) or other connection device(s) shall be provided sufficient to support concentrated load(s) 3237 lb down and 464 lb up at 17-5-8 on bottom chord. The design/selection of such connection device(s) is the responsibility of others.
- Attic room checked for L/360 deflection.



May 12, 2022

LOAD CASE(S) Standard

WARNING - Verify design parameters and READ NOTES ON THIS AND INCLUDED MITEK REFERENCE PAGE MII-7473 rev. 5/19/2020 BEFORE USE.

Design valid for use only with MiTek® connectors. This design is based only upon parameters shown, and is for an individual building component, not a truss system. Before use, the building designer must verify the applicability of design parameters and properly incorporate this design into the overall building design. Bracing indicated is to prevent buckling of individual truss web and/or chord members only. Additional temporary and permanent bracing is always required for stability and to prevent collapse with possible personal injury and property damage. For general guidance regarding the fabrication, storage, delivery, erection and bracing of trusses and truss systems, see **ANSI/TPI1 Quality Criteria, DSB-89 and BCSI Building Component Safety Information** available from Truss Plate Institute, 2670 Crain Highway, Suite 203 Waldorf, MD 20601



818 Soundside Road
Edenton, NC 27932

Job	Truss	Truss Type	Qty	Ply	Lot 6 Mitchell Manor	I51907489
J0522-2435	A3A	ATTIC	1	2	Job Reference (optional)	

Comtech, Inc, Fayetteville, NC - 28314,

8.430 s Aug 16 2021 MiTek Industries, Inc. Thu May 12 08:14:36 2022 Page 2
 ID:G?Mgu2wAOefhMizVCCS4xvzzRiE-23WgTCORRXIQjDBhcVJE23UJqSjEIGYrSoMOXxzHih1

LOAD CASE(S) Standard

1) Dead + Roof Live (balanced): Lumber Increase=1.15, Plate Increase=1.15

Uniform Loads (plf)

Vert: 1-5=-60, 5-6=-80, 6-7=-60, 7-8=-60, 8-9=-80, 9-12=-60, 2-16=-20, 13-16=-40, 12-13=-20, 6-8=-20

Drag: 5-16=-10, 9-13=-10

Concentrated Loads (lb)

Vert: 23=-1837(F)

WARNING - Verify design parameters and READ NOTES ON THIS AND INCLUDED MITEK REFERENCE PAGE MII-7473 rev. 5/19/2020 BEFORE USE.

Design valid for use only with MiTek® connectors. This design is based only upon parameters shown, and is for an individual building component, not a truss system. Before use, the building designer must verify the applicability of design parameters and properly incorporate this design into the overall building design. Bracing indicated is to prevent buckling of individual truss web and/or chord members only. Additional temporary and permanent bracing is always required for stability and to prevent collapse with possible personal injury and property damage. For general guidance regarding the fabrication, storage, delivery, erection and bracing of trusses and truss systems, see **ANSI/TPI1 Quality Criteria, DSB-89 and BCSI Building Component Safety Information** available from Truss Plate Institute, 2670 Crain Highway, Suite 203 Waldorf, MD 20601



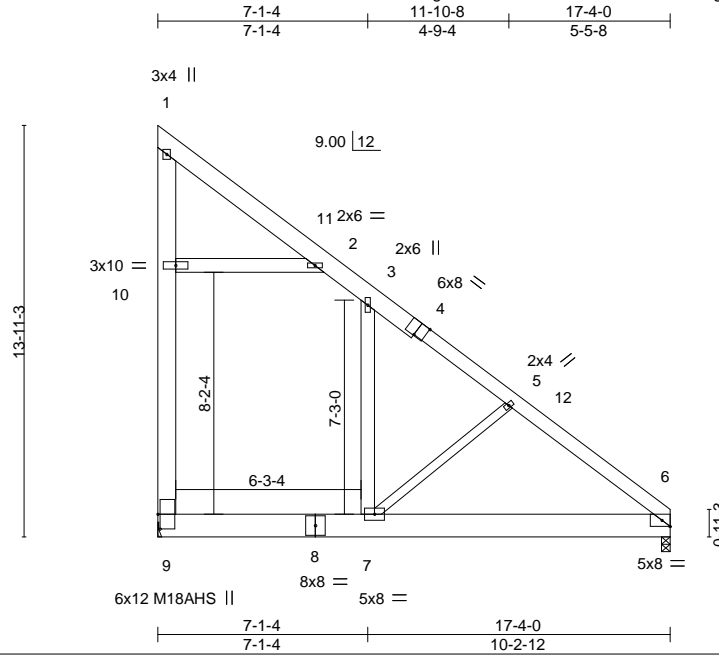
818 Soundside Road
 Edenton, NC 27932

Job	Truss	Truss Type	Qty	Ply	Lot 6 Mitchell Manor	151907490
J0522-2435	A4	ROOF TRUSS	2	1	Job Reference (optional)	

Comtech, Inc. Fayetteville, NC - 28314,

8.430 s Aug 16 2021 MiTek Industries, Inc. Thu May 12 08:14:37 2022 Page 1

ID:G?Mgu2wAOefhMizVCCS4xvzzRIE-WF42gYO4CrHKNmtACqTaH1RvrE71r1_hS6x4NzHh0



Scale = 1:78.0

Plate Offsets (X,Y)-- [4:0-4-0,Edge], [6:0-3-5,Edge], [9:0-6-0,0-0-14]

LOADING (psf)	SPACING-	CSI.	DEFL.	in (loc)	l/defl	L/d	PLATES	GRIP
TCLL 20.0	Plate Grip DOL 1.15	TC 0.60	Vert(LL) -0.16	6-7	>999	360	MT20	244/190
TCDL 10.0	Lumber DOL 1.15	BC 0.28	Vert(CT) -0.35	6-7	>572	240	M18AHS	186/179
BCLL 0.0 *	Rep Stress Incr YES	WB 0.34	Horz(CT) 0.00	6	n/a	n/a		
BCDL 10.0	Code IRC2015/TPI2014	Matrix-S	Wind(LL) 0.15	6-7	>999	240		
							Weight: 203 lb	FT = 20%

LUMBER-

TOP CHORD 2x8 SP No.1 *Except*
4-6: 2x6 SP No.1
BOT CHORD 2x10 SP 2400F 2.0E
WEBS 2x6 SP No.1 *Except*
1-9: 2x8 SP No.1, 5-7: 2x4 SP No.2

BRACING-

TOP CHORD Structural wood sheathing directly applied or 6-0-0 oc purlins, except end verticals.
BOT CHORD Rigid ceiling directly applied or 10-0-0 oc bracing.

REACTIONS.

(size) 9=Mechanical, 6=0-3-8
Max Horz 9=422(LC 13)
Max Uplift 9=57(LC 13)
Max Grav 9=1328(LC 21), 6=798(LC 21)

FORCES. (lb) - Max. Comp./Max. Ten. - All forces 250 (lb) or less except when shown.

TOP CHORD 9-10=-561/92, 1-10=-505/125, 1-2=-119/538, 2-3=-259/134, 3-5=-535/82, 5-6=-746/90
BOT CHORD 7-9=-13/405, 6-7=0/578
WEBS 3-7=-18/253, 5-7=-514/223, 2-10=-703/262

NOTES-

- 1) Wind: ASCE 7-10; Vult=130mph Vasd=103mph; TCDL=6.0psf; BCDL=6.0psf; h=15ft; Cat. II; Exp C; Enclosed; MWFRS (envelope) and C-C Exterior(2) 0-3-10 to 4-8-7, Interior(1) 4-8-7 to 17-2-4 zone;C-C for members and forces & MWFRS for reactions shown; Lumber DOL=1.60 plate grip DOL=1.60
- 2) All plates are MT20 plates unless otherwise indicated.
- 3) This truss has been designed for a 10.0 psf bottom chord live load nonconcurrent with any other live loads.
- 4) * This truss has been designed for a live load of 30.0psf on the bottom chord in all areas where a rectangle 3-6-0 tall by 2-0-0 wide will fit between the bottom chord and any other members.
- 5) Ceiling dead load (10.0 psf) on member(s). 2-3, 2-10; Wall dead load (5.0psf) on member(s).3-7
- 6) Bottom chord live load (40.0 psf) and additional bottom chord dead load (10.0 psf) applied only to room. 7-9
- 7) Refer to girder(s) for truss to truss connections.
- 8) Provide mechanical connection (by others) of truss to bearing plate capable of withstanding 100 lb uplift at joint(s) 9.
- 9) Attic room checked for L/360 deflection.



May 12, 2022

WARNING - Verify design parameters and READ NOTES ON THIS AND INCLUDED MITEK REFERENCE PAGE MII-7473 rev. 5/19/2020 BEFORE USE.

Design valid for use only with MiTek® connectors. This design is based only upon parameters shown, and is for an individual building component, not a truss system. Before use, the building designer must verify the applicability of design parameters and properly incorporate this design into the overall building design. Bracing indicated is to prevent buckling of individual truss web and/or chord members only. Additional temporary and permanent bracing is always required for stability and to prevent collapse with possible personal injury and property damage. For general guidance regarding the fabrication, storage, delivery, erection and bracing of trusses and truss systems, see **ANSI/TPI1 Quality Criteria, DSB-89 and BCSI Building Component Safety Information** available from Truss Plate Institute, 2670 Crain Highway, Suite 203 Waldorf, MD 20601



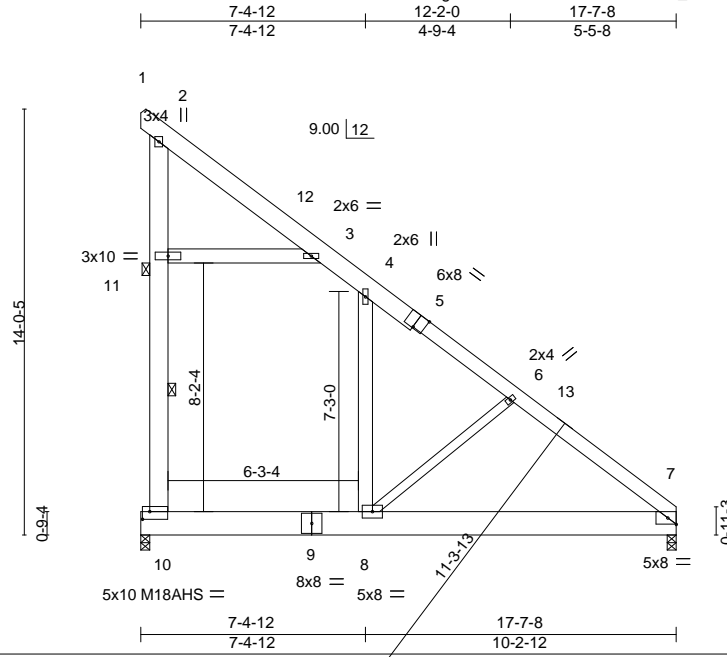
818 Soundside Road
Edenton, NC 27932

Job	Truss	Truss Type	Qty	Ply	Lot 6 Mitchell Manor	151907491
J0522-2435	A5	ROOF TRUSS	2	1	Job Reference (optional)	

Comtech, Inc. Fayetteville, NC - 28314,

8.430 s Aug 16 2021 MiTek Industries, Inc. Thu May 12 08:14:38 2022 Page 1

ID:G?Mgu2wAOefhMizVCCS4xvzzRIE_-ReQuuPiz8?8yXL4kwMi7UZadFaMmIF8w6rUcpzHlh?



Scale = 1:75.9

Plate Offsets (X,Y)-- [5:0-4-0,Edge], [7:0-3-5,Edge], [10:0-2-14,0-3-0]

LOADING (psf)	SPACING-	CSI.	DEFL.	PLATES	GRIP
TCLL 20.0	Plate Grip DOL 1.15	TC 0.73	Vert(LL) -0.16	MT20	244/190
TCDL 10.0	Lumber DOL 1.15	BC 0.28	Vert(CT) -0.35	M18AHS	186/179
BCLL 0.0 *	Rep Stress Incr YES	WB 0.34	Horz(CT) 0.00	Weight: 205 lb	FT = 20%
BCDL 10.0	Code IRC2015/TPI2014	Matrix-S	Wind(LL) 0.15		

LUMBER-

TOP CHORD 2x8 SP No.1 *Except*
5-7: 2x6 SP No.1
BOT CHORD 2x10 SP 2400F 2.0E
WEBS 2x6 SP No.1 *Except*
2-10: 2x8 SP No.1, 6-8: 2x4 SP No.2

BRACING-

TOP CHORD Structural wood sheathing directly applied or 6-0-0 oc purlins, except end verticals.
BOT CHORD Rigid ceiling directly applied or 10-0-0 oc bracing.
WEBS 1 Row at midpt 10-11
JOINTS 1 Brace at Jt(s): 11

REACTIONS.

(size) 10=0-3-8, 7=0-3-8
Max Horz 10=-432(LC 13)
Max Uplift 10=-72(LC 13)
Max Grav 10=1359(LC 21), 7=796(LC 21)

FORCES. (lb) - Max. Comp./Max. Ten. - All forces 250 (lb) or less except when shown.

TOP CHORD 10-11=-592/107, 2-11=-536/140, 2-3=-128/539, 3-4=-272/100, 4-6=-544/49, 6-7=-755/57
BOT CHORD 8-10=-16/415, 7-8=0/585
WEBS 4-8=-20/253, 3-11=-698/256, 6-8=-515/226

NOTES-

- 1) Wind: ASCE 7-10; Vult=130mph Vasd=103mph; TCDL=6.0psf; BCDL=6.0psf; h=15ft; Cat. II; Exp C; Enclosed; MWFRS (envelope) and C-C Exterior(2) 0-1-0 to 4-5-13, Interior(1) 4-5-13 to 17-5-12 zone; C-C for members and forces & MWFRS for reactions shown; Lumber DOL=1.60 plate grip DOL=1.60
- 2) All plates are MT20 plates unless otherwise indicated.
- 3) This truss has been designed for a 10.0 psf bottom chord live load nonconcurrent with any other live loads.
- 4) * This truss has been designed for a live load of 30.0psf on the bottom chord in all areas where a rectangle 3-6-0 tall by 2-0-0 wide will fit between the bottom chord and any other members.
- 5) Ceiling dead load (10.0 psf) on member(s). 3-4, 3-11; Wall dead load (5.0psf) on member(s).4-8
- 6) Bottom chord live load (40.0 psf) and additional bottom chord dead load (10.0 psf) applied only to room. 8-10
- 7) Provide mechanical connection (by others) of truss to bearing plate capable of withstanding 100 lb uplift at joint(s) 10.
- 8) Attic room checked for L/360 deflection.



May 12, 2022

WARNING - Verify design parameters and READ NOTES ON THIS AND INCLUDED MITEK REFERENCE PAGE MII-7473 rev. 5/19/2020 BEFORE USE.

Design valid for use only with MiTek® connectors. This design is based only upon parameters shown, and is for an individual building component, not a truss system. Before use, the building designer must verify the applicability of design parameters and properly incorporate this design into the overall building design. Bracing indicated is to prevent buckling of individual truss web and/or chord members only. Additional temporary and permanent bracing is always required for stability and to prevent collapse with possible personal injury and property damage. For general guidance regarding the fabrication, storage, delivery, erection and bracing of trusses and truss systems, see

ANSI/TPI1 Quality Criteria, DSB-89 and BCSI Building Component

Safety Information available from Truss Plate Institute, 2670 Crain Highway, Suite 203 Waldorf, MD 20601



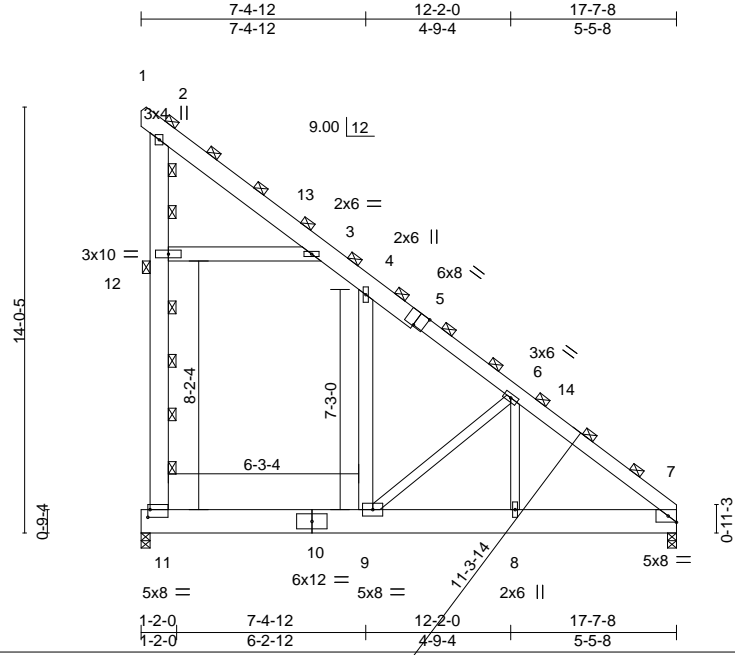
818 Soundside Road
Edenton, NC 27932

Job	Truss	Truss Type	Qty	Ply	Lot 6 Mitchell Manor	151907492
J0522-2435	A5-GR	ROOF TRUSS	1	2	Job Reference (optional)	

Comtech, Inc. Fayetteville, NC - 28314,

8.430 s Aug 16 2021 MiTek Industries, Inc. Thu May 12 08:14:39 2022 Page 1

ID:G?Mgu2wAOefhMIzVCCS4xvzzRIE-SeCo5EQKkS7?ahwGHdtxgi6qrwuVnTH9mb28GzHlh_



Scale = 1:75.9

Plate Offsets (X,Y)-- [5:0-4-0,Edge], [7:0-3-5,Edge], [11:0-0-14,0-3-0]

LOADING (psf)	SPACING-	CSI.	DEFL.	in (loc)	l/defl	L/d	PLATES	GRIP
TCLL 20.0	Plate Grip DOL 1.15	TC 0.45	Vert(LL) -0.10	9	>999	360	MT20	244/190
TCDL 10.0	Lumber DOL 1.15	BC 0.26	Vert(CT) -0.22	9	>930	240		
BCLL 0.0 *	Rep Stress Incr NO	WB 0.21	Horz(CT) 0.00	7	n/a	n/a		
BCDL 10.0	Code IRC2015/TPI2014	Matrix-S	Wind(LL) 0.09	9	>999	240		
							Weight: 421 lb	FT = 20%

LUMBER-

TOP CHORD 2x8 SP No.1 *Except*
5-7: 2x6 SP No.1
BOT CHORD 2x10 SP 2400F 2.0E
WEBS 2x6 SP No.1 *Except*
2-11: 2x8 SP No.1, 6-9,6-8: 2x4 SP No.2

BRACING-

TOP CHORD 2-0-0 oc purlins (6-0-0 max.), except end verticals
(Switched from sheeted: Spacing > 2-8-0).
BOT CHORD Rigid ceiling directly applied or 10-0-0 oc bracing.
JOINTS 1 Brace at Jt(s): 2, 12

REACTIONS.

(size) 11=0-3-8, 7=0-3-8
Max Horz 11=-648(LC 13)
Max Uplift 11=-108(LC 13)
Max Grav 11=2038(LC 21), 7=1193(LC 21)

FORCES. (lb) - Max. Comp./Max. Ten. - All forces 250 (lb) or less except when shown.

TOP CHORD 11-12=-814/159, 2-12=-730/208, 2-3=-189/707, 3-4=-412/149, 4-6=-738/83,
6-7=-1755/32
BOT CHORD 9-11=-61/625, 8-9=0/1261, 7-8=0/1261
WEBS 3-12=-945/393, 6-9=-1476/312, 6-8=-30/1064

NOTES-

- 2-ply truss to be connected together with 10d (0.131"x3") nails as follows:
Top chords connected as follows: 2x8 - 2 rows staggered at 0-9-0 oc, 2x6 - 2 rows staggered at 0-9-0 oc.
Bottom chords connected as follows: 2x10 - 2 rows staggered at 0-9-0 oc.
Webs connected as follows: 2x6 - 2 rows staggered at 0-9-0 oc, 2x4 - 1 row at 0-9-0 oc.
- All loads are considered equally applied to all plies, except if noted as front (F) or back (B) face in the LOAD CASE(S) section. Ply to ply connections have been provided to distribute only loads noted as (F) or (B), unless otherwise indicated.
- Wind: ASCE 7-10; Vult=130mph Vasd=103mph; TCDL=6.0psf; BCDL=6.0psf; h=15ft; Cat. II; Exp C; Enclosed; MWFRS (envelope) and C-C Exterior(2) 0-1-0 to 4-5-13, Interior(1) 4-5-13 to 17-5-12 zone;C-C for members and forces & MWFRS for reactions shown; Lumber DOL=1.60 plate grip DOL=1.60
- This truss has been designed for a 10.0 psf bottom chord live load nonconcurrent with any other live loads.
- * This truss has been designed for a live load of 30.0psf on the bottom chord in all areas where a rectangle 3-6-0 tall by 2-0-0 wide will fit between the bottom chord and any other members.
- Ceiling dead load (10.0 psf) on member(s). 3-4, 3-12; Wall dead load (5.0psf) on member(s).4-9
- Bottom chord live load (40.0 psf) and additional bottom chord dead load (10.0 psf) applied only to room. 9-11
- Provide mechanical connection (by others) of truss to bearing plate capable of withstanding 100 lb uplift at joint(s) except (jt=lb) 11=108.
- Graphical purlin representation does not depict the size or the orientation of the purlin along the top and/or bottom chord.
- Attic room checked for L/360 deflection.



May 12, 2022

WARNING - Verify design parameters and READ NOTES ON THIS AND INCLUDED MITEK REFERENCE PAGE MII-7473 rev. 5/19/2020 BEFORE USE.

Design valid for use only with MiTek® connectors. This design is based only upon parameters shown, and is for an individual building component, not a truss system. Before use, the building designer must verify the applicability of design parameters and properly incorporate this design into the overall building design. Bracing indicated is to prevent buckling of individual truss web and/or chord members only. Additional temporary and permanent bracing is always required for stability and to prevent collapse with possible personal injury and property damage. For general guidance regarding the fabrication, storage, delivery, erection and bracing of trusses and truss systems, see

ANSI/TPI1 Quality Criteria, DSB-89 and BCSI Building Component

Safety Information available from Truss Plate Institute, 2670 Crain Highway, Suite 203 Waldorf, MD 20601



818 Soundside Road
Edenton, NC 27932

Job	Truss	Truss Type	Qty	Ply	Lot 6 Mitchell Manor	151907493
J0522-2435	A6	ROOF TRUSS	3	1	Job Reference (optional)	

Comtech, Inc. Fayetteville, NC - 28314,

8.430 s Aug 16 2021 MiTek Industries, Inc. Thu May 12 08:14:40 2022 Page 1

ID:G?Mgu2wAOefhMIzVCCS4xvzzRiE-wqIBJaRyVmGsBrUSrLOACvex736AE3PRNQkbizHlgz



6x12 M18AHS =

Scale = 1:86.5

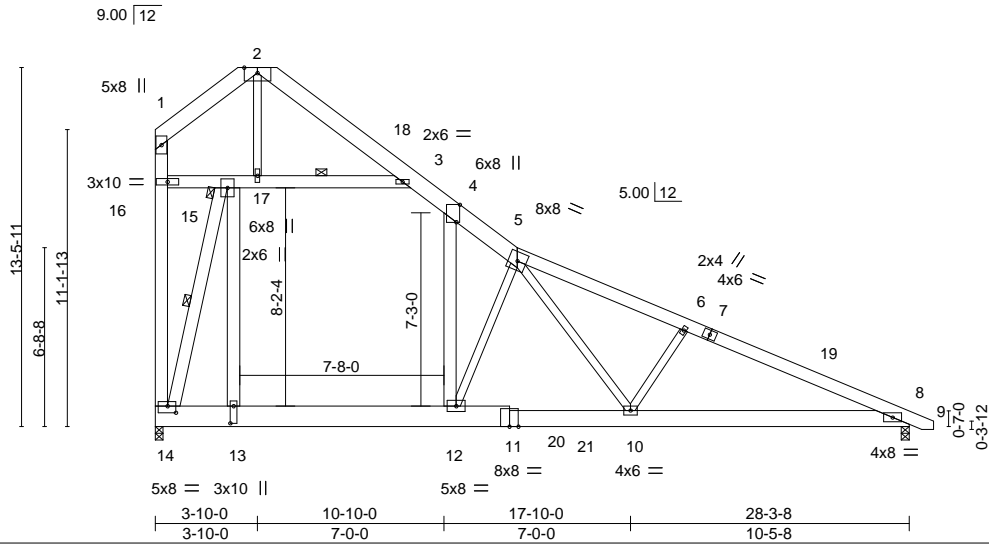


Plate Offsets (X,Y)-- [4:0-7-14,Edge], [13:0-7-12,0-1-8], [14:0-3-12,0-3-0]

LOADING (psf)	SPACING-	CSI.	DEFL.	in (loc)	l/defl	L/d	PLATES	GRIP
TCLL 20.0	Plate Grip DOL 1.15	TC 0.67	Vert(LL) -0.22	10-12	>999	360	MT20	244/190
TCDL 10.0	Lumber DOL 1.15	BC 0.90	Vert(CT) -0.46	10-12	>736	240	M18AHS	186/179
BCLL 0.0 *	Rep Stress Incr YES	WB 0.94	Horz(CT) 0.03	8	n/a	n/a		
BCDL 10.0	Code IRC2015/TPI2014	Matrix-S	Wind(LL) 0.15	10-12	>999	240		
							Weight: 322 lb	FT = 20%

LUMBER-

TOP CHORD 2x8 SP No.1 *Except*
5-7,7-9: 2x6 SP No.1
BOT CHORD 2x8 SP No.1 *Except*
11-14: 2x10 SP No.1
WEBS 2x6 SP No.1 *Except*
2-17,5-12,5-10,6-10: 2x4 SP No.2

BRACING-

TOP CHORD Structural wood sheathing directly applied or 4-5-13 oc purlins, except end verticals.
BOT CHORD Rigid ceiling directly applied or 5-11-2 oc bracing.
WEBS 1 Row at midpt 3-15, 14-15
JOINTS 1 Brace at Jt(s): 15

REACTIONS.

(size) 14=0-3-8, 8=0-3-8
Max Horz 14=-386(LC 13)
Max Grav 14=1899(LC 21), 8=1327(LC 2)

FORCES. (lb) - Max. Comp./Max. Ten. - All forces 250 (lb) or less except when shown.

TOP CHORD 1-2=-46/909, 2-3=-81/883, 3-4=-845/0, 4-5=-1740/0, 5-6=-2479/0, 6-8=-2689/6,
14-16=-69/1026, 1-16=-13/598
BOT CHORD 13-14=0/1154, 12-13=0/1196, 10-12=0/1729, 8-10=0/2401
WEBS 13-15=0/1674, 4-12=0/1284, 15-16=-703/80, 15-17=-2008/133, 3-17=-1755/94,
14-15=-3791/83, 2-17=-1396/254, 5-12=-1480/147, 5-10=-173/947, 6-10=-420/248

NOTES-

- Unbalanced roof live loads have been considered for this design.
- Wind: ASCE 7-10; Vult=130mph Vasd=103mph; TCDL=6.0psf; BCDL=6.0psf; h=15ft; Cat. II; Exp C; Enclosed; MWFRS (envelope) and C-C Exterior(2) 0-2-12 to 8-2-13, Interior(1) 8-2-13 to 28-11-14 zone; C-C for members and forces & MWFRS for reactions shown; Lumber DOL=1.60 plate grip DOL=1.60
- All plates are MT20 plates unless otherwise indicated.
- This truss has been designed for a 10.0 psf bottom chord live load nonconcurrent with any other live loads.
- * This truss has been designed for a live load of 30.0psf on the bottom chord in all areas where a rectangle 3-6-0 tall by 2-0-0 wide will fit between the bottom chord and any other members, with BCDL = 10.0psf.
- Ceiling dead load (10.0 psf) on member(s). 3-4, 4-5, 15-16, 15-17, 3-17; Wall dead load (5.0psf) on member(s).13-15, 4-12
- Bottom chord live load (40.0 psf) and additional bottom chord dead load (10.0 psf) applied only to room. 12-13
- Attic room checked for L/360 deflection.



May 12, 2022

WARNING - Verify design parameters and READ NOTES ON THIS AND INCLUDED MITEK REFERENCE PAGE MII-7473 rev. 5/19/2020 BEFORE USE.

Design valid for use only with MiTek® connectors. This design is based only upon parameters shown, and is for an individual building component, not a truss system. Before use, the building designer must verify the applicability of design parameters and properly incorporate this design into the overall building design. Bracing indicated is to prevent buckling of individual truss web and/or chord members only. Additional temporary and permanent bracing is always required for stability and to prevent collapse with possible personal injury and property damage. For general guidance regarding the fabrication, storage, delivery, erection and bracing of trusses and truss systems, see **ANSI/TPI1 Quality Criteria, DSB-89 and BCSI Building Component Safety Information** available from Truss Plate Institute, 2670 Crain Highway, Suite 203 Waldorf, MD 20601



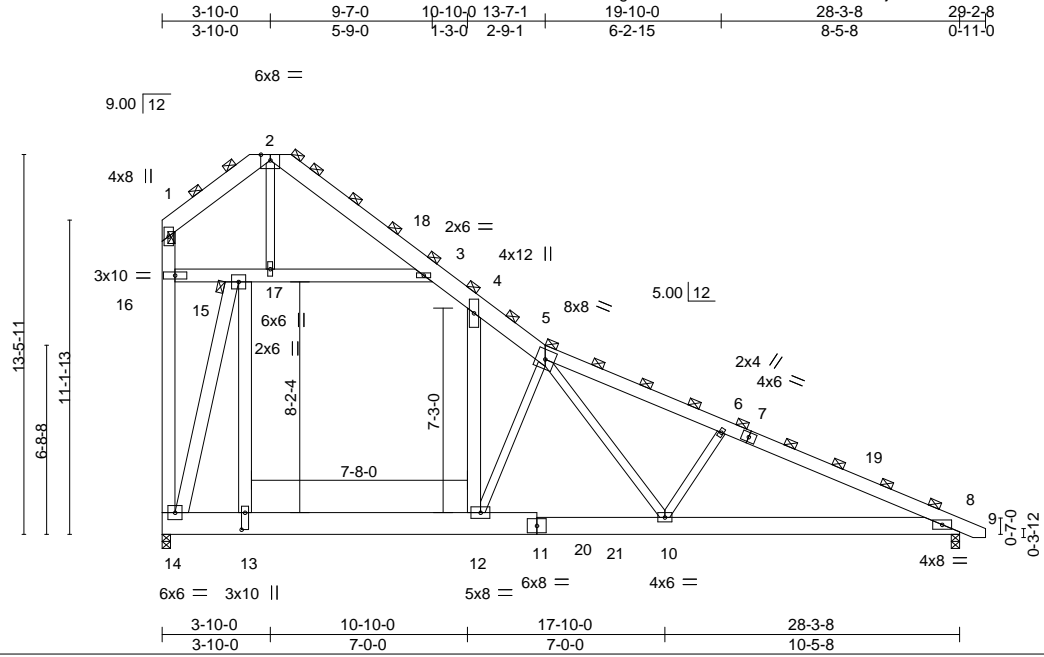
818 Soundside Road
Edenton, NC 27932

Job	Truss	Truss Type	Qty	Ply	Lot 6 Mitchell Manor	151907494
J0522-2435	A6-GR	ROOF TRUSS	1	2	Job Reference (optional)	

Comtech, Inc, Fayetteville, NC - 28314,

8.430 s Aug 16 2021 MiTek Industries, Inc. Thu May 12 08:14:42 2022 Page 1

ID:G?Mgu2wAOefhMlzVCCS4xvzRIE-tDtxjFSC0NwAR8erzQeHKKKDs75zUjrkpikazHlgx



Scale = 1:81.7

Plate Offsets (X,Y)-- [13:0-7-4,0-1-8]

LOADING (psf)	SPACING-	CSI.	DEFL.	in (loc)	l/defl	L/d	PLATES	GRIP
TCLL 20.0	Plate Grip DOL 1.15	TC 0.50	Vert(LL) -0.16	10-12	>999	360	MT20	244/190
TCDL 10.0	Lumber DOL 1.15	BC 0.74	Vert(CT) -0.34	10-12	>981	240		
BCLL 0.0 *	Rep Stress Incr NO	WB 0.90	Horz(CT) 0.02	8	n/a	n/a		
BCDL 10.0	Code IRC2015/TPI2014	Matrix-S	Wind(LL) 0.11	10-12	>999	240		
							Weight: 644 lb	FT = 20%

LUMBER-

TOP CHORD 2x8 SP No.1 *Except*
5-7,7-9: 2x6 SP No.1
BOT CHORD 2x8 SP No.1 *Except*
11-14: 2x10 SP No.1
WEBS 2x6 SP No.1 *Except*
2-17,5-12,5-10,6-10: 2x4 SP No.2

BRACING-

TOP CHORD 2-0-0 oc purlins (6-0-0 max.), except end verticals
(Switched from sheeted: Spacing > 2-8-0).
BOT CHORD Rigid ceiling directly applied or 10-0-0 oc bracing.
JOINTS 1 Brace at Jt(s): 1, 2, 5, 15

REACTIONS.

(size) 14=0-3-8, 8=0-3-8
Max Horz 14=-579(LC 13)
Max Grav 14=2848(LC 21), 8=1990(LC 2)

FORCES. (lb) - Max. Comp./Max. Ten. - All forces 250 (lb) or less except when shown.

TOP CHORD 1-2=-69/1364, 2-3=-122/1324, 3-4=-1268/0, 4-5=-2610/0, 5-6=-3719/0, 6-8=-4034/9,
14-16=-103/1539, 1-16=-19/897
BOT CHORD 13-14=0/1730, 12-13=0/1794, 10-12=0/2594, 8-10=0/3601
WEBS 13-15=0/2510, 4-12=0/1926, 15-16=-1055/120, 15-17=-3012/199, 3-17=-2632/140,
14-15=-5686/124, 2-17=-2094/382, 5-12=-2220/220, 5-10=-260/1421, 6-10=-630/372

NOTES-

- 2-ply truss to be connected together with 10d (0.131"x3") nails as follows:
Top chords connected as follows: 2x8 - 2 rows staggered at 0-9-0 oc, 2x6 - 2 rows staggered at 0-9-0 oc.
Bottom chords connected as follows: 2x10 - 2 rows staggered at 0-9-0 oc, 2x8 - 2 rows staggered at 0-9-0 oc.
Webs connected as follows: 2x6 - 2 rows staggered at 0-9-0 oc, 2x4 - 1 row at 0-9-0 oc.
- All loads are considered equally applied to all plies, except if noted as front (F) or back (B) face in the LOAD CASE(S) section. Ply to ply connections have been provided to distribute only loads noted as (F) or (B), unless otherwise indicated.
- Unbalanced roof live loads have been considered for this design.
- Wind: ASCE 7-10; Vult=130mph Vasd=103mph; TCDL=6.0psf; BCDL=6.0psf; h=15ft; Cat. II; Exp C; Enclosed; MWFRS (envelope) and C-C Exterior(2) 0-2-12 to 8-2-13, Interior(1) 8-2-13 to 28-11-14 zone; C-C for members and forces & MWFRS for reactions shown; Lumber DOL=1.60 plate grip DOL=1.60
- This truss has been designed for a 10.0 psf bottom chord live load nonconcurrent with any other live loads.
- * This truss has been designed for a live load of 30.0psf on the bottom chord in all areas where a rectangle 3-6-0 tall by 2-0-0 wide will fit between the bottom chord and any other members, with BCDL = 10.0psf.
- Ceiling dead load (10.0 psf) on member(s). 3-4, 4-5, 15-16, 15-17, 3-17; Wall dead load (5.0psf) on member(s). 13-15, 4-12
- Bottom chord live load (40.0 psf) and additional bottom chord dead load (10.0 psf) applied only to room. 12-13
- Graphical purlin representation does not depict the size or the orientation of the purlin along the top and/or bottom chord.
- Attic room checked for L/360 deflection.



May 12, 2022

WARNING - Verify design parameters and READ NOTES ON THIS AND INCLUDED MITEK REFERENCE PAGE MII-7473 rev. 5/19/2020 BEFORE USE.

Design valid for use only with MiTek® connectors. This design is based only upon parameters shown, and is for an individual building component, not a truss system. Before use, the building designer must verify the applicability of design parameters and properly incorporate this design into the overall building design. Bracing indicated is to prevent buckling of individual truss web and/or chord members only. Additional temporary and permanent bracing is always required for stability and to prevent collapse with possible personal injury and property damage. For general guidance regarding the fabrication, storage, delivery, erection and bracing of trusses and truss systems, see **ANSI/TPI1 Quality Criteria, DSB-89 and BCSI Building Component Safety Information** available from Truss Plate Institute, 2670 Crain Highway, Suite 203 Waldorf, MD 20601



818 Soundside Road
Edenton, NC 27932

Job	Truss	Truss Type	Qty	Ply	Lot 6 Mitchell Manor	151907495
J0522-2435	A6GE	GABLE	1	1	Job Reference (optional)	

Comtech, Inc., Fayetteville, NC - 28314,

8.430 s Aug 16 2021 MiTek Industries, Inc. Thu May 12 08:14:41 2022 Page 1

ID:G?Mgu2wAOefhMlzVCCS4xvzzRIE-P0JZWvRaG3Ojp?3fP2vPI7B8aTTPzafac449C8zHly



6x12 M18AHS =

Scale = 1:90.8

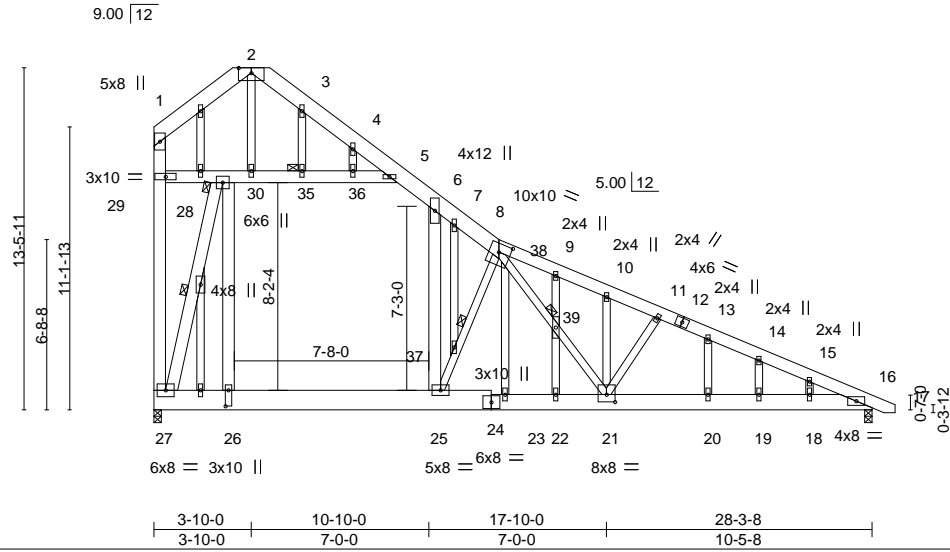


Plate Offsets (X,Y)-- [8:0-5-8,0-4-0], [21:0-4-0,0-3-8], [26:0-7-8,0-1-8]

LOADING (psf)	SPACING-	CSI.	DEFL.	in (loc)	l/defl	L/d	PLATES	GRIP
TCLL 20.0	Plate Grip DOL 1.15	TC 0.56	Vert(LL) -0.17	25	>999	360	MT20	244/190
TCDL 10.0	Lumber DOL 1.15	BC 0.83	Vert(CT) -0.37	23-25	>898	240	M18AHS	186/179
BCLL 0.0 *	Rep Stress Incr YES	WB 0.68	Horz(CT) 0.03	16	n/a	n/a		
BCDL 10.0	Code IRC2015/TPI2014	Matrix-S	Wind(LL) 0.18	23-25	>999	240		
							Weight: 372 lb	FT = 20%

LUMBER-

TOP CHORD 2x8 SP No.1 *Except*
8-12,12-17: 2x6 SP No.1
BOT CHORD 2x8 SP No.1 *Except*
24-27: 2x10 SP No.1
WEBS 2x6 SP No.1 *Except*
2-30,8-25,8-21,11-21: 2x4 SP No.2
OTHERS 2x4 SP No.2

BRACING-

TOP CHORD Structural wood sheathing directly applied or 4-11-1 oc purlins, except end verticals.
BOT CHORD Rigid ceiling directly applied or 10-0-0 oc bracing, Except: 8-9-11 oc bracing: 26-27
6-11-2 oc bracing: 25-26.
WEBS 1 Row at midpt 27-28, 8-25
JOINTS 1 Brace at Jt(s): 28, 35, 39

REACTIONS.

(size) 27=0-3-8, 16=0-3-8
Max Horz 27=-563(LC 13)
Max Uplift 27=-62(LC 13), 16=-134(LC 13)
Max Grav 27=1798(LC 21), 16=1288(LC 1)

FORCES. (lb) - Max. Comp./Max. Ten. - All forces 250 (lb) or less except when shown.

TOP CHORD 1-2=-128/768, 2-3=-152/797, 3-4=-176/666, 4-5=-229/603, 5-6=-810/21, 6-7=-1473/0, 7-8=-1553/0, 8-9=-2182/301, 9-10=-2203/254, 10-11=-2244/236, 11-13=-2332/264, 13-14=-2405/262, 14-15=-2401/211, 15-16=-2447/172, 27-29=-204/868, 1-29=-80/527
BOT CHORD 26-27=0/1083, 25-26=0/1123, 23-25=0/1668, 22-23=0/1668, 21-22=0/1668, 20-21=-104/2197, 19-20=-104/2197, 18-19=-104/2197, 16-18=-104/2197
WEBS 26-28=-65/1610, 6-25=-26/999, 28-29=-589/141, 28-30=-1741/298, 30-35=-1523/241, 35-36=-1524/241, 5-36=-1525/239, 27-28=-3429/396, 2-30=-1299/326, 25-37=-1571/470, 8-37=-1650/498, 8-38=-491/1192, 38-39=-311/673, 21-39=-325/714, 11-21=-413/251, 23-38=-204/583

NOTES-

- 1) Unbalanced roof live loads have been considered for this design.
- 2) Wind: ASCE 7-10; Vult=130mph Vasd=103mph; TCDL=6.0psf; BCDL=6.0psf; h=15ft; Cat. II; Exp C; Enclosed; MWFRS (envelope) gable end zone and C-C Exterior(2) zone; C-C for members and forces & MWFRS for reactions shown; Lumber DOL=1.60 plate grip DOL=1.60
- 3) Truss designed for wind loads in the plane of the truss only. For studs exposed to wind (normal to the face), see Standard Industry Gable End Details as applicable, or consult qualified building designer as per ANSI/TPI 1.
- 4) All plates are MT20 plates unless otherwise indicated.
- 5) All plates are 2x6 MT20 unless otherwise indicated.
- 6) Gable studs spaced at 2-0-0 oc.
- 7) This truss has been designed for a 10.0 psf bottom chord live load nonconcurrent with any other live loads.
- 8) * This truss has been designed for a live load of 30.0psf on the bottom chord in all areas where a rectangle 3-6-0 tall by 2-0-0 wide will fit between the bottom chord and any other members.
- 9) Ceiling dead load (10.0 psf) on member(s). 5-6, 28-29, 28-30, 30-35, 35-36, 5-36; Wall dead load (5.0psf) on member(s).26-28, 6-25
- 10) Bottom chord live load (40.0 psf) and additional bottom chord dead load (10.0 psf) applied only to room. 25-26



May 12, 2022

Continued on page 2

WARNING - Verify design parameters and READ NOTES ON THIS AND INCLUDED MITEK REFERENCE PAGE MII-7473 rev. 5/19/2020 BEFORE USE.

Design valid for use only with MiTek® connectors. This design is based only upon parameters shown, and is for an individual building component, not a truss system. Before use, the building designer must verify the applicability of design parameters and properly incorporate this design into the overall building design. Bracing indicated is to prevent buckling of individual truss web and/or chord members only. Additional temporary and permanent bracing is always required for stability and to prevent collapse with possible personal injury and property damage. For general guidance regarding the fabrication, storage, delivery, erection and bracing of trusses and truss systems, see

ANSI/TPI1 Quality Criteria, DSB-89 and BCSI Building Component

Safety Information available from Truss Plate Institute, 2670 Crain Highway, Suite 203 Waldorf, MD 20601



818 Soundside Road
Edenton, NC 27932

Job	Truss	Truss Type	Qty	Ply	Lot 6 Mitchell Manor	I51907495
J0522-2435	A6GE	GABLE	1	1	Job Reference (optional)	

Comtech, Inc, Fayetteville, NC - 28314,

8.430 s Aug 16 2021 MiTek Industries, Inc. Thu May 12 08:14:41 2022 Page 2
 ID:G?Mgu2wAOefhMlzVCCS4xvzzRiE-P0JZWvRaG3Ojp?3fP2vPI7B8aTTPzafac449C8zHlgy

NOTES-

- 11) Provide mechanical connection (by others) of truss to bearing plate capable of withstanding 100 lb uplift at joint(s) 27 except (jt=lb) 16=134.
- 12) Attic room checked for L/360 deflection.

WARNING - Verify design parameters and READ NOTES ON THIS AND INCLUDED MITEK REFERENCE PAGE MII-7473 rev. 5/19/2020 BEFORE USE.

Design valid for use only with MiTek® connectors. This design is based only upon parameters shown, and is for an individual building component, not a truss system. Before use, the building designer must verify the applicability of design parameters and properly incorporate this design into the overall building design. Bracing indicated is to prevent buckling of individual truss web and/or chord members only. Additional temporary and permanent bracing is always required for stability and to prevent collapse with possible personal injury and property damage. For general guidance regarding the fabrication, storage, delivery, erection and bracing of trusses and truss systems, see **ANSI/TPI1 Quality Criteria, DSB-89 and BCSI Building Component Safety Information** available from Truss Plate Institute, 2670 Crain Highway, Suite 203 Waldorf, MD 20601



818 Soundside Road
 Edenton, NC 27932

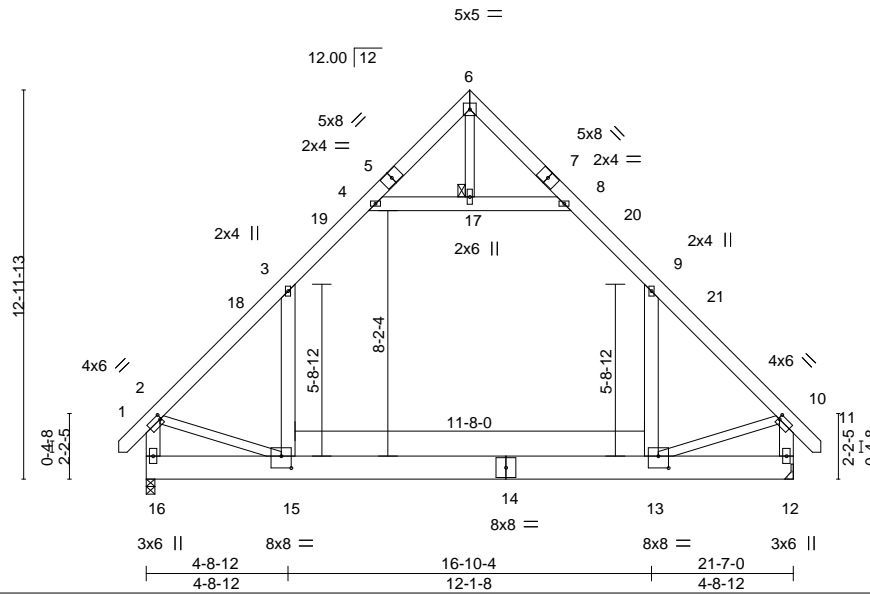
Job	Truss	Truss Type	Qty	Ply	Lot 6 Mitchell Manor	151907496
J0522-2435	B1	ATTIC	3	1		

Comtech, Inc., Fayetteville, NC - 28314,

8.430 s Aug 16 2021 MiTek Industries, Inc. Thu May 12 08:14:44 2022 Page 1

ID:G?Mgu2wAOefhMizVCCS4xvzzRIE-pb?h8xUTY_mlgSoD4AS6NlpaGgWUA3B0l2lpoTzHlvg

-0-11-0	4-8-12	7-7-12	10-9-8	13-11-4	16-10-4	21-7-0	22-6-0
0-11-0	4-8-12	2-11-0	3-1-12	3-1-12	2-11-0	4-8-12	0-11-0



Scale = 1:76.9

Plate Offsets (X,Y)-- [2:0-0-8,0-2-0], [10:0-0-8,0-2-0], [13:0-4-0,0-4-12], [15:0-4-0,0-4-12]

LOADING (psf)	SPACING-	CSI.	DEFL.	in (loc)	l/defl	L/d	PLATES	GRIP
TCLL 20.0	Plate Grip DOL 1.15	TC 0.79	Vert(LL) -0.23	13-15	>999	360	MT20	244/190
TCDL 10.0	Lumber DOL 1.15	BC 0.75	Vert(CT) -0.38	13-15	>666	240		
BCLL 0.0 *	Rep Stress Incr YES	WB 0.18	Horz(CT) 0.01	12	n/a	n/a		
BCDL 10.0	Code IRC2015/TPI2014	Matrix-S	Wind(LL) 0.06	13-15	>999	240		
							Weight: 229 lb	FT = 20%

LUMBER-

TOP CHORD 2x6 SP No.1
 BOT CHORD 2x10 SP No.1
 WEBS 2x6 SP No.1 *Except*
 6-17,2-15,10-13: 2x4 SP No.2

BRACING-

TOP CHORD Structural wood sheathing directly applied or 4-4-9 oc purlins, except end verticals.
 BOT CHORD Rigid ceiling directly applied or 9-8-5 oc bracing.
 JOINTS 1 Brace at Jt(s): 17

REACTIONS.

(size) 16=0-3-8, 12=Mechanical
 Max Horz 16=337(LC 11)
 Max Grav 16=1485(LC 21), 12=1485(LC 20)

FORCES. (lb) - Max. Comp./Max. Ten. - All forces 250 (lb) or less except when shown.

TOP CHORD 2-3=-1614/0, 3-4=-981/147, 8-9=-981/147, 9-10=-1613/0, 2-16=-1640/10,
 10-12=-1641/11
 BOT CHORD 15-16=-297/490, 13-15=0/1005, 12-13=-63/272
 WEBS 9-13=-2/705, 3-15=-3/705, 4-17=-1024/185, 8-17=-1024/185, 2-15=0/853, 10-13=0/858

NOTES-

- Unbalanced roof live loads have been considered for this design.
- Wind: ASCE 7-10; Vult=130mph Vasd=103mph; TCDL=6.0psf; BCDL=6.0psf; h=15ft; Cat. II; Exp C; Enclosed; MWFRS (envelope) and C-C Exterior(2) -0-9-6 to 3-7-7, Interior(1) 3-7-7 to 10-9-8, Exterior(2) 10-9-8 to 15-2-5, Interior(1) 15-2-5 to 22-4-6 zone; end vertical left and right exposed; C-C for members and forces & MWFRS for reactions shown; Lumber DOL=1.60 plate grip DOL=1.60
- This truss has been designed for a 10.0 psf bottom chord live load nonconcurrent with any other live loads.
- * This truss has been designed for a live load of 30.0psf on the bottom chord in all areas where a rectangle 3-6-0 tall by 2-0-0 wide will fit between the bottom chord and any other members.
- Ceiling dead load (10.0 psf) on member(s). 3-4, 8-9, 4-17, 8-17; Wall dead load (5.0psf) on member(s).9-13, 3-15
- Bottom chord live load (40.0 psf) and additional bottom chord dead load (10.0 psf) applied only to room. 13-15
- Refer to girder(s) for truss to truss connections.
- Attic room checked for L/360 deflection.



May 12, 2022

WARNING - Verify design parameters and READ NOTES ON THIS AND INCLUDED MITEK REFERENCE PAGE MII-7473 rev. 5/19/2020 BEFORE USE.

Design valid for use only with MiTek® connectors. This design is based only upon parameters shown, and is for an individual building component, not a truss system. Before use, the building designer must verify the applicability of design parameters and properly incorporate this design into the overall building design. Bracing indicated is to prevent buckling of individual truss web and/or chord members only. Additional temporary and permanent bracing is always required for stability and to prevent collapse with possible personal injury and property damage. For general guidance regarding the fabrication, storage, delivery, erection and bracing of trusses and truss systems, see

ANSI/TPI1 Quality Criteria, DSB-89 and BCSI Building Component

Safety Information available from Truss Plate Institute, 2670 Crain Highway, Suite 203 Waldorf, MD 20601



818 Soundside Road
 Edenton, NC 27932

Job	Truss	Truss Type	Qty	Ply	Lot 6 Mitchell Manor	151907497
J0522-2435	B1GE	GABLE	1	1	Job Reference (optional)	

Comtech, Inc, Fayetteville, NC - 28314,

8.430 s Aug 16 2021 MiTek Industries, Inc. Thu May 12 08:14:45 2022 Page 1

ID:G?Mgu2wAOefhMlzVCCS4xvzzRiE-HoZ4MHV5Jlu9lcNQeu_LvzMnJ4sAvN2AXi2MLvzHgu

0-11-0 4-8-12 7-7-12 10-9-8 13-11-4 16-10-4 21-7-0 22-6-0
0-11-0 4-8-12 2-11-0 3-1-12 3-1-12 2-11-0 4-8-12 0-11-0

Scale = 1:81.6

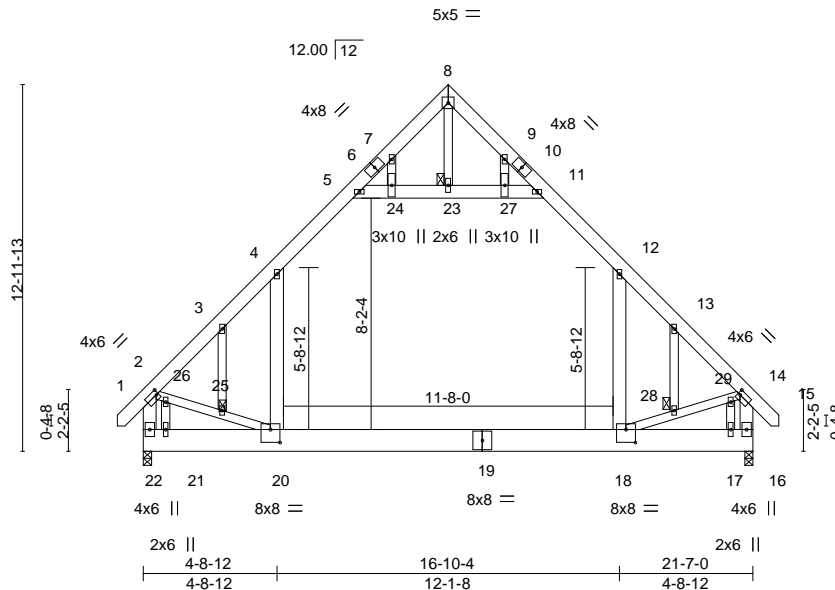


Plate Offsets (X,Y)-- [2:0-1-0,0-2-0], [14:0-1-0,0-2-0], [18:0-4-0,0-5-8], [20:0-4-0,0-5-8]

LOADING (psf)	SPACING-	CSI.	DEFL.	in (loc)	l/defl	L/d	PLATES	GRIP
TCLL 20.0	Plate Grip DOL 1.15	TC 0.70	Vert(LL) -0.21	18-20	>999	360	MT20	244/190
TCDL 10.0	Lumber DOL 1.15	BC 0.72	Vert(CT) -0.35	18-20	>726	240		
BCLL 0.0 *	Rep Stress Incr YES	WB 0.72	Horz(CT) 0.01	16	n/a	n/a		
BCDL 10.0	Code IRC2015/TPI2014	Matrix-S	Wind(LL) 0.08	18-20	>999	240		
							Weight: 244 lb	FT = 20%

LUMBER-

TOP CHORD 2x6 SP No.1
BOT CHORD 2x10 SP No.1
WEBS 2x6 SP No.1 *Except*
8-23,2-20,14-18: 2x4 SP No.2
OTHERS 2x4 SP No.2

BRACING-

TOP CHORD Structural wood sheathing directly applied or 4-9-4 oc purlins, except end verticals.
BOT CHORD Rigid ceiling directly applied or 10-0-0 oc bracing.
JOINTS 1 Brace at Jt(s): 23, 25, 28

REACTIONS.

(size) 22=0-3-8, 16=0-3-8
Max Horz 22=422(LC 11)
Max Grav 22=1480(LC 21), 16=1480(LC 20)

FORCES. (lb) - Max. Comp./Max. Ten. - All forces 250 (lb) or less except when shown.

TOP CHORD 2-3=-1601/0, 3-4=-1592/42, 4-5=-995/179, 7-8=-26/326, 8-9=-26/326, 11-12=-995/179, 12-13=-1591/42, 13-14=-1600/0, 2-22=-1231/0, 14-16=-1232/0
BOT CHORD 21-22=-379/571, 20-21=-379/571, 18-20=0/1047, 17-18=-83/286, 16-17=-83/286
WEBS 12-18=0/790, 4-20=0/790, 5-24=-1075/235, 23-24=-1070/236, 23-27=-1070/236, 11-27=-1075/235, 8-23=-438/0, 2-26=-22/762, 25-26=-3/913, 20-25=-19/874, 18-28=-26/879, 28-29=-10/918, 14-29=-29/767, 7-24=-10/475, 21-26=-476/69, 9-27=-10/474, 17-29=-477/69

NOTES-

- Unbalanced roof live loads have been considered for this design.
- Wind: ASCE 7-10; Vult=130mph Vasd=103mph; TCDL=6.0psf; BCDL=6.0psf; h=15ft; Cat. II; Exp C; Enclosed; MWFRS (envelope) gable end zone and C-C Exterior(2) zone; end vertical left and right exposed; C-C for members and forces & MWFRS for reactions shown; Lumber DOL=1.60 plate grip DOL=1.60
- Truss designed for wind loads in the plane of the truss only. For studs exposed to wind (normal to the face), see Standard Industry Gable End Details as applicable, or consult qualified building designer as per ANSI/TPI 1.
- All plates are 2x4 MT20 unless otherwise indicated.
- Gable studs spaced at 2-0-0 oc.
- This truss has been designed for a 10.0 psf bottom chord live load nonconcurrent with any other live loads.
- * This truss has been designed for a live load of 30.0psf on the bottom chord in all areas where a rectangle 3-6-0 tall by 2-0-0 wide will fit between the bottom chord and any other members.
- Ceiling dead load (10.0 psf) on member(s). 4-5, 11-12, 5-24, 23-24, 23-27, 11-27; Wall dead load (5.0psf) on member(s).12-18, 4-20
- Bottom chord live load (40.0 psf) and additional bottom chord dead load (10.0 psf) applied only to room. 18-20
- Attic room checked for L/360 deflection.



May 12, 2022

WARNING - Verify design parameters and READ NOTES ON THIS AND INCLUDED MITEK REFERENCE PAGE MII-7473 rev. 5/19/2020 BEFORE USE.

Design valid for use only with MiTek® connectors. This design is based only upon parameters shown, and is for an individual building component, not a truss system. Before use, the building designer must verify the applicability of design parameters and properly incorporate this design into the overall building design. Bracing indicated is to prevent buckling of individual truss web and/or chord members only. Additional temporary and permanent bracing is always required for stability and to prevent collapse with possible personal injury and property damage. For general guidance regarding the fabrication, storage, delivery, erection and bracing of trusses and truss systems, see ANSI/TPI1 Quality Criteria, DSB-89 and BCSI Building Component Safety Information available from Truss Plate Institute, 2670 Crain Highway, Suite 203 Waldorf, MD 20601



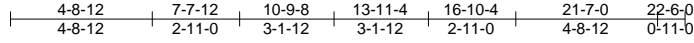
818 Soundside Road
Edenton, NC 27932

Job	Truss	Truss Type	Qty	Ply	Lot 6 Mitchell Manor	151907498
J0522-2435	B2	ATTIC	2	1		

Comtech, Inc. Fayetteville, NC - 28314,

8.430 s Aug 16 2021 MiTek Industries, Inc. Thu May 12 08:14:46 2022 Page 1

ID:G?Mgu2wAOefhMizVCCS4xvzRIE-l_7SZdVj4c00vmycCbVaSAuwiUCveyNjmMnvtMzHlgt



5x5 =

Scale = 1:76.9

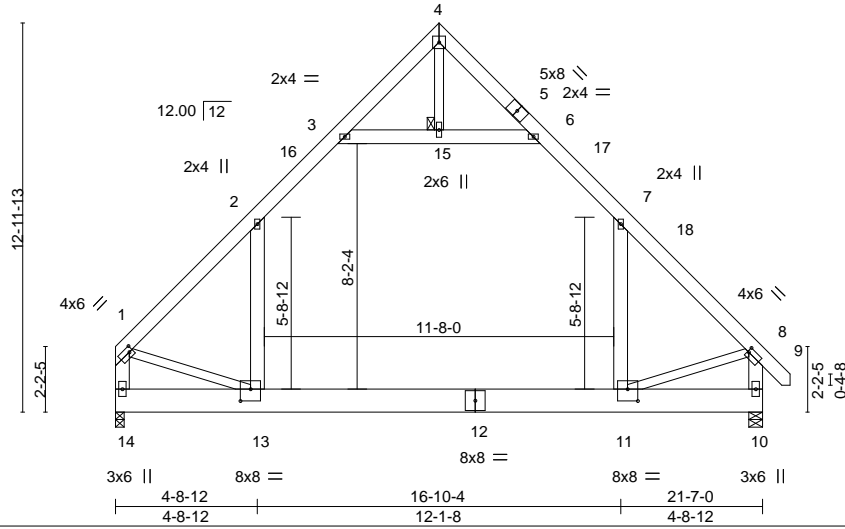


Plate Offsets (X,Y)-- [1:0-1-8,0-2-0], [8:0-0-8,0-2-0], [11:0-4-0,0-4-12], [13:0-4-0,0-4-12]

LOADING (psf)	SPACING-	CSI.	DEFL.	in (loc)	l/defl	L/d	PLATES	GRIP
TCLL 20.0	Plate Grip DOL 1.15	TC 0.79	Vert(LL) -0.23	11-13	>999	360	MT20	244/190
TCDL 10.0	Lumber DOL 1.15	BC 0.75	Vert(CT) -0.38	11-13	>659	240		
BCLL 0.0 *	Rep Stress Incr YES	WB 0.20	Horz(CT) 0.01	10	n/a	n/a		
BCDL 10.0	Code IRC2015/TPI2014	Matrix-S	Wind(LL) 0.06	11-13	>999	240		
							Weight: 226 lb	FT = 20%

LUMBER-

TOP CHORD 2x6 SP No.1
 BOT CHORD 2x10 SP No.1
 WEBS 2x6 SP No.1 *Except*
 4-15,1-13,8-11: 2x4 SP No.2

BRACING-

TOP CHORD Structural wood sheathing directly applied or 4-2-15 oc purlins, except end verticals.
 BOT CHORD Rigid ceiling directly applied or 9-7-6 oc bracing.
 JOINTS 1 Brace at Jt(s): 15

REACTIONS.

(size) 14=0-3-8, 10=0-5-8
 Max Horz 14=-329(LC 8)
 Max Grav 14=1445(LC 21), 10=1486(LC 20)

FORCES. (lb) - Max. Comp./Max. Ten. - All forces 250 (lb) or less except when shown.

TOP CHORD 1-2=-1597/0, 2-3=-984/149, 6-7=-981/145, 7-8=-1617/0, 1-14=-1597/0, 8-10=-1644/8
 BOT CHORD 13-14=-289/422, 11-13=0/1007, 10-11=-63/273
 WEBS 7-11=-1/708, 2-13=-8/675, 3-15=-1030/189, 6-15=-1030/189, 1-13=0/914, 8-11=0/859

NOTES-

- Unbalanced roof live loads have been considered for this design.
- Wind: ASCE 7-10; Vult=130mph Vasd=103mph; TCDL=6.0psf; BCDL=6.0psf; h=15ft; Cat. II; Exp C; Enclosed; MWFRS (envelope) and C-C Exterior(2) 0-2-12 to 4-8-12, Interior(1) 4-8-12 to 10-9-8, Exterior(2) 10-9-8 to 15-2-5, Interior(1) 15-2-5 to 22-4-6 zone; end vertical left and right exposed; C-C for members and forces & MWFRS for reactions shown; Lumber DOL=1.60 plate grip DOL=1.60
- This truss has been designed for a 10.0 psf bottom chord live load nonconcurrent with any other live loads.
- * This truss has been designed for a live load of 30.0psf on the bottom chord in all areas where a rectangle 3-6-0 tall by 2-0-0 wide will fit between the bottom chord and any other members.
- Ceiling dead load (10.0 psf) on member(s). 2-3, 6-7, 3-15, 6-15; Wall dead load (5.0psf) on member(s). 7-11, 2-13
- Bottom chord live load (40.0 psf) and additional bottom chord dead load (10.0 psf) applied only to room. 11-13
- Attic room checked for L/360 deflection.



May 12, 2022

WARNING - Verify design parameters and READ NOTES ON THIS AND INCLUDED MITEK REFERENCE PAGE MII-7473 rev. 5/19/2020 BEFORE USE.

Design valid for use only with MiTek® connectors. This design is based only upon parameters shown, and is for an individual building component, not a truss system. Before use, the building designer must verify the applicability of design parameters and properly incorporate this design into the overall building design. Bracing indicated is to prevent buckling of individual truss web and/or chord members only. Additional temporary and permanent bracing is always required for stability and to prevent collapse with possible personal injury and property damage. For general guidance regarding the fabrication, storage, delivery, erection and bracing of trusses and truss systems, see

ANSI/TPI1 Quality Criteria, DSB-89 and BCSI Building Component

Safety Information available from Truss Plate Institute, 2670 Crain Highway, Suite 203 Waldorf, MD 20601



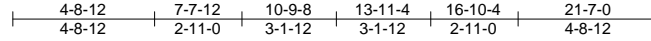
818 Soundside Road
 Edenton, NC 27932

Job	Truss	Truss Type	Qty	Ply	Lot 6 Mitchell Manor	151907499
J0522-2435	B3	ATTIC	5	1		

Comtech, Inc. Fayetteville, NC - 28314,

8.430 s Aug 16 2021 MiTek Industries, Inc. Thu May 12 08:14:47 2022 Page 1

ID:G?Mgu2wAOefhMizVCCS4xvzzRIE-DAhqnzWLRv8tXwXolJ0p_OR5htY5NPdT_0XTPOzHlgs



5x5 =

Scale = 1:76.9

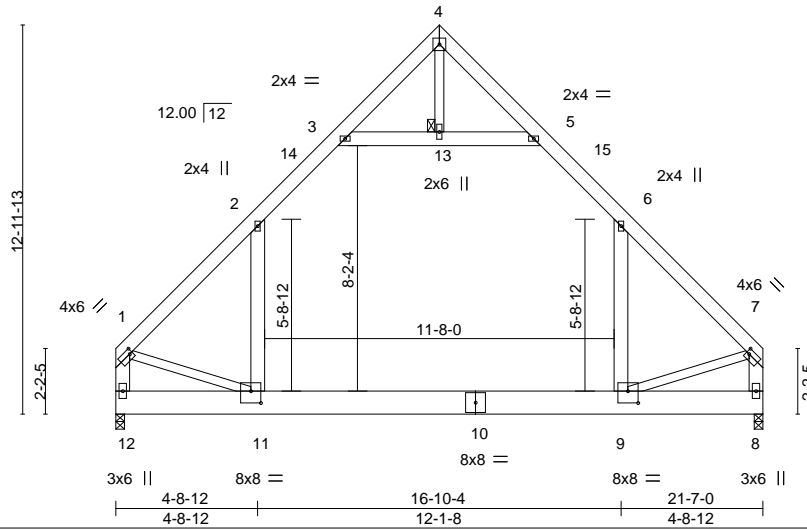


Plate Offsets (X,Y)-- [1:0-1-4,0-2-0], [7:0-1-4,0-2-0], [9:0-4-0,0-4-12], [11:0-4-0,0-4-12]

LOADING (psf)	SPACING-	CSI.	DEFL.	in (loc)	l/defl	L/d	PLATES	GRIP
TCLL 20.0	Plate Grip DOL 1.15	TC 0.78	Vert(LL) -0.23	9-11	>999	360	MT20	244/190
TCDL 10.0	Lumber DOL 1.15	BC 0.75	Vert(CT) -0.39	9-11	>653	240		
BCLL 0.0 *	Rep Stress Incr YES	WB 0.20	Horz(CT) 0.01	8	n/a	n/a		
BCDL 10.0	Code IRC2015/TPI2014	Matrix-S	Wind(LL) 0.07	9-11	>999	240	Weight: 223 lb	FT = 20%

LUMBER-

TOP CHORD 2x6 SP No.1
 BOT CHORD 2x10 SP No.1
 WEBS 2x6 SP No.1 *Except*
 4-13,1-11,7-9: 2x4 SP No.2

BRACING-

TOP CHORD Structural wood sheathing directly applied or 4-2-11 oc purlins, except end verticals.
 BOT CHORD Rigid ceiling directly applied or 9-6-8 oc bracing.
 JOINTS 1 Brace at Jt(s): 13

REACTIONS.

(size) 12=0-3-8, 8=0-3-8
 Max Horz 12=313(LC 11)
 Max Grav 12=1446(LC 21), 8=1446(LC 20)

FORCES. (lb) - Max. Comp./Max. Ten. - All forces 250 (lb) or less except when shown.

TOP CHORD 1-2=-1600/0, 2-3=-984/147, 5-6=-984/147, 6-7=-1600/0, 1-12=-1600/0, 7-8=-1601/0
 BOT CHORD 11-12=-303/406, 9-11=0/997
 WEBS 6-9=-6/678, 2-11=-7/678, 3-13=-1036/187, 5-13=-1036/187, 1-11=0/915, 7-9=0/919

NOTES-

- Unbalanced roof live loads have been considered for this design.
- Wind: ASCE 7-10; Vult=130mph Vasd=103mph; TCDL=6.0psf; BCDL=6.0psf; h=15ft; Cat. II; Exp C; Enclosed; MWFRS (envelope) and C-C Exterior(2) 0-2-12 to 4-8-12, Interior(1) 4-8-12 to 10-9-8, Exterior(2) 10-9-8 to 15-2-5, Interior(1) 15-2-5 to 21-4-4 zone; end vertical left and right exposed; C-C for members and forces & MWFRS for reactions shown; Lumber DOL=1.60 plate grip DOL=1.60
- This truss has been designed for a 10.0 psf bottom chord live load nonconcurrent with any other live loads.
- * This truss has been designed for a live load of 30.0psf on the bottom chord in all areas where a rectangle 3-6-0 tall by 2-0-0 wide will fit between the bottom chord and any other members.
- Ceiling dead load (10.0 psf) on member(s). 2-3, 5-6, 3-13, 5-13; Wall dead load (5.0psf) on member(s).6-9, 2-11
- Bottom chord live load (40.0 psf) and additional bottom chord dead load (10.0 psf) applied only to room. 9-11
- Attic room checked for L/360 deflection.



May 12, 2022

WARNING - Verify design parameters and READ NOTES ON THIS AND INCLUDED MITEK REFERENCE PAGE MII-7473 rev. 5/19/2020 BEFORE USE.

Design valid for use only with MiTek® connectors. This design is based only upon parameters shown, and is for an individual building component, not a truss system. Before use, the building designer must verify the applicability of design parameters and properly incorporate this design into the overall building design. Bracing indicated is to prevent buckling of individual truss web and/or chord members only. Additional temporary and permanent bracing is always required for stability and to prevent collapse with possible personal injury and property damage. For general guidance regarding the fabrication, storage, delivery, erection and bracing of trusses and truss systems, see

ANSI/TPI1 Quality Criteria, DSB-89 and BCSI Building Component

Safety Information available from Truss Plate Institute, 2670 Crain Highway, Suite 203 Waldorf, MD 20601



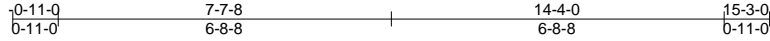
818 Soundside Road
 Edenton, NC 27932

Job	Truss	Truss Type	Qty	Ply	Lot 6 Mitchell Manor	151907500
J0522-2435	C1GE	COMMON SUPPORTED GAB	1	1		

Comtech, Inc. Fayetteville, NC - 28314,

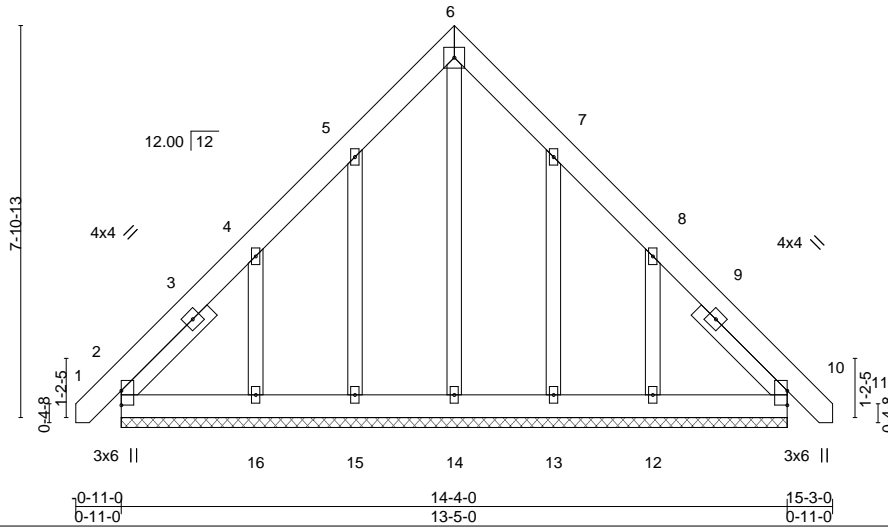
8.430 s Aug 16 2021 MiTek Industries, Inc. Thu May 12 08:14:48 2022 Page 1

ID:G?Mgu2wAOefhMlzVCCS4xvzzRIE-hNEC_JXzcDGj946?J0X2Xb_StH3W6twcDgG0xEzHlgr



5x5 =

Scale = 1:46.4



LOADING (psf)	SPACING-	CSI.	DEFL.	in	(loc)	l/defl	L/d	PLATES	GRIP
TCLL 20.0	2-0-0	TC 0.04	Vert(LL)	0.00	10	n/r	120	MT20	244/190
TCDL 10.0	Plate Grip DOL 1.15	BC 0.04	Vert(CT)	0.00	10	n/r	120		
BCLL 0.0 *	Lumber DOL 1.15	WB 0.13	Horz(CT)	0.00	10	n/a	n/a		
BCDL 10.0	Rep Stress Incr YES	Matrix-S						Weight: 124 lb	FT = 20%
	Code IRC2015/TPI2014								

LUMBER-

TOP CHORD 2x6 SP No.1
 BOT CHORD 2x6 SP No.1
 OTHERS 2x4 SP No.2
 SLIDER Left 2x4 SP No.2 2-6-0, Right 2x4 SP No.2 2-6-0

BRACING-

TOP CHORD Structural wood sheathing directly applied or 6-0-0 oc purlins.
 BOT CHORD Rigid ceiling directly applied or 10-0-0 oc bracing.

REACTIONS.

All bearings 13-5-0.
 (lb) - Max Horz 2=-224(LC 10)
 Max Uplift All uplift 100 lb or less at joint(s) 2, 10, 15, 13 except 16=-256(LC 12), 12=-251(LC 13)
 Max Grav All reactions 250 lb or less at joint(s) 2, 10, 14, 15, 13 except 16=270(LC 19), 12=265(LC 20)

FORCES. (lb) - Max. Comp./Max. Ten. - All forces 250 (lb) or less except when shown.

WEBS 4-16=-280/263, 8-12=-280/260

NOTES-

- Unbalanced roof live loads have been considered for this design.
- Wind: ASCE 7-10; Vult=130mph Vasd=103mph; TCDL=6.0psf; BCDL=6.0psf; h=15ft; Cat. II; Exp C; Enclosed; MWFRS (envelope) gable end zone and C-C Exterior(2) zone; C-C for members and forces & MWFRS for reactions shown; Lumber DOL=1.60 plate grip DOL=1.60
- Truss designed for wind loads in the plane of the truss only. For studs exposed to wind (normal to the face), see Standard Industry Gable End Details as applicable, or consult qualified building designer as per ANSI/TPI 1.
- All plates are 2x4 MT20 unless otherwise indicated.
- Gable requires continuous bottom chord bearing.
- Gable studs spaced at 2-0-0 oc.
- This truss has been designed for a 10.0 psf bottom chord live load nonconcurrent with any other live loads.
- * This truss has been designed for a live load of 30.0psf on the bottom chord in all areas where a rectangle 3-6-0 tall by 2-0-0 wide will fit between the bottom chord and any other members.
- Provide mechanical connection (by others) of truss to bearing plate capable of withstanding 100 lb uplift at joint(s) 2, 10, 15, 13 except (jt=lb) 16=256, 12=251.
- See Standard Industry Piggyback Truss Connection Detail for Connection to base truss as applicable, or consult qualified building designer.



May 12, 2022

WARNING - Verify design parameters and READ NOTES ON THIS AND INCLUDED MITEK REFERENCE PAGE MII-7473 rev. 5/19/2020 BEFORE USE.

Design valid for use only with MiTek® connectors. This design is based only upon parameters shown, and is for an individual building component, not a truss system. Before use, the building designer must verify the applicability of design parameters and properly incorporate this design into the overall building design. Bracing indicated is to prevent buckling of individual truss web and/or chord members only. Additional temporary and permanent bracing is always required for stability and to prevent collapse with possible personal injury and property damage. For general guidance regarding the fabrication, storage, delivery, erection and bracing of trusses and truss systems, see

ANSI/TPI1 Quality Criteria, DSB-89 and BCSI Building Component

Safety Information available from Truss Plate Institute, 2670 Crain Highway, Suite 203 Waldorf, MD 20601



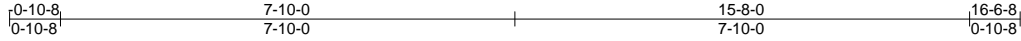
818 Soundside Road
 Edenton, NC 27932

Job	Truss	Truss Type	Qty	Ply	Lot 6 Mitchell Manor	151907501
J0522-2435	D1	COMMON	1	1		

Comtech, Inc., Fayetteville, NC - 28314,

8.430 s Aug 16 2021 MiTek Industries, Inc. Thu May 12 08:14:49 2022 Page 1

ID:G?Mgu2wAOefhMizVCCS4xvzzRIE-AZoaBeYbNXOamDgBtk2H4pWZzhKerIQISK0aUhzHlgq



5x5 =

Scale = 1:39.7

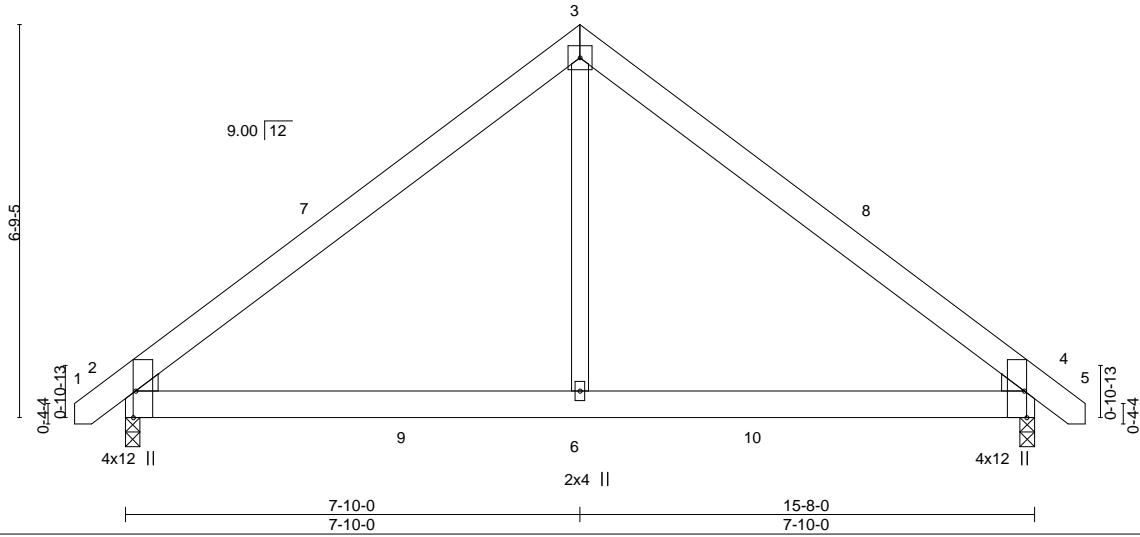


Plate Offsets (X,Y)-- [2:0-5-8,Edge], [4:0-5-8,Edge]

LOADING (psf)	SPACING-	CSI.	DEFL.	in (loc)	l/defl	L/d	PLATES	GRIP
TCLL 20.0	Plate Grip DOL 1.15	TC 0.28	Vert(LL) -0.03	4-6	>999	360	MT20	244/190
TCDL 10.0	Lumber DOL 1.15	BC 0.30	Vert(CT) -0.05	4-6	>999	240		
BCLL 0.0 *	Rep Stress Incr YES	WB 0.31	Horz(CT) 0.01	4	n/a	n/a		
BCDL 10.0	Code IRC2015/TPI2014	Matrix-S	Wind(LL) 0.06	4-6	>999	240	Weight: 98 lb	FT = 20%

LUMBER-

TOP CHORD 2x6 SP No.1
 BOT CHORD 2x6 SP No.1
 WEBS 2x4 SP No.2
 WEDGE
 Left: 2x4 SP No.2 , Right: 2x4 SP No.2

BRACING-

TOP CHORD Structural wood sheathing directly applied or 6-0-0 oc purlins.
 BOT CHORD Rigid ceiling directly applied or 10-0-0 oc bracing.

REACTIONS.

(size) 2=0-3-0, 4=0-3-0
 Max Horz 2=-154(LC 10)
 Max Uplift 2=-90(LC 9), 4=-90(LC 8)
 Max Grav 2=717(LC 2), 4=717(LC 2)

FORCES. (lb) - Max. Comp./Max. Ten. - All forces 250 (lb) or less except when shown.

TOP CHORD 2-3=-810/620, 3-4=-810/618
 BOT CHORD 2-6=-323/544, 4-6=-323/544
 WEBS 3-6=-488/523

NOTES-

- Unbalanced roof live loads have been considered for this design.
- Wind: ASCE 7-10; Vult=130mph Vasd=103mph; TCDL=6.0psf; BCDL=6.0psf; h=15ft; Cat. II; Exp C; Enclosed; MWFRS (envelope) and C-C Exterior(2) -0-8-12 to 3-8-1, Interior(1) 3-8-1 to 7-10-0, Exterior(2) 7-10-0 to 12-2-13, Interior(1) 12-2-13 to 16-4-12 zone; porch left and right exposed; C-C for members and forces & MWFRS for reactions shown; Lumber DOL=1.60 plate grip DOL=1.60
- This truss has been designed for a 10.0 psf bottom chord live load nonconcurrent with any other live loads.
- * This truss has been designed for a live load of 30.0psf on the bottom chord in all areas where a rectangle 3-6-0 tall by 2-0-0 wide will fit between the bottom chord and any other members, with BCDL = 10.0psf.
- Provide mechanical connection (by others) of truss to bearing plate capable of withstanding 100 lb uplift at joint(s) 2, 4.
- See Standard Industry Piggyback Truss Connection Detail for Connection to base truss as applicable, or consult qualified building designer.



May 12, 2022

WARNING - Verify design parameters and READ NOTES ON THIS AND INCLUDED MITEK REFERENCE PAGE MII-7473 rev. 5/19/2020 BEFORE USE.

Design valid for use only with MiTek® connectors. This design is based only upon parameters shown, and is for an individual building component, not a truss system. Before use, the building designer must verify the applicability of design parameters and properly incorporate this design into the overall building design. Bracing indicated is to prevent buckling of individual truss web and/or chord members only. Additional temporary and permanent bracing is always required for stability and to prevent collapse with possible personal injury and property damage. For general guidance regarding the fabrication, storage, delivery, erection and bracing of trusses and truss systems, see

ANSI/TPI1 Quality Criteria, DSB-89 and BCSI Building Component

Safety Information available from Truss Plate Institute, 2670 Crain Highway, Suite 203 Waldorf, MD 20601



818 Soundside Road
 Edenton, NC 27932

Job	Truss	Truss Type	Qty	Ply	Lot 6 Mitchell Manor	151907502
J0522-2435	D1GE	COMMON SUPPORTED GAB	1	1	Job Reference (optional)	

Comtech, Inc., Fayetteville, NC - 28314,

8.430 s Aug 16 2021 MiTek Industries, Inc. Thu May 12 08:14:50 2022 Page 1

ID:G?Mgu2wAOefhMzVCCS4xvzzRiE-elMzP_YE8qWRONFNRZwC03od5kFanQvg_I707zHlgp

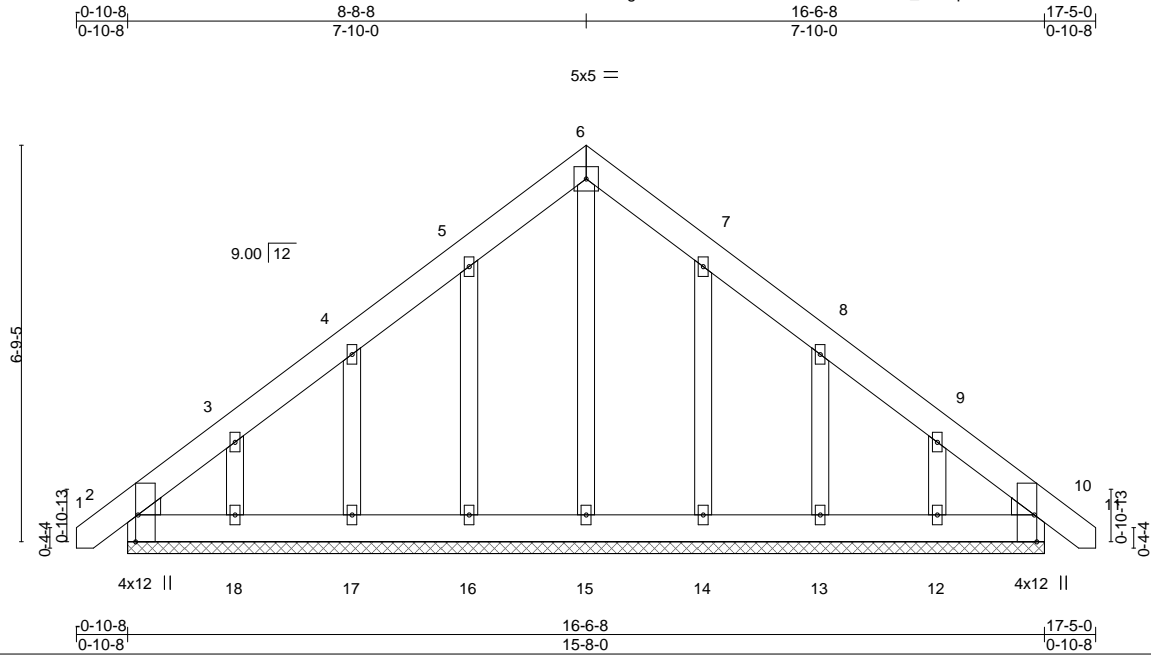


Plate Offsets (X,Y)-- [2:0-5-8,Edge], [10:0-5-8,Edge]

LOADING (psf)	SPACING-	CSI.	DEFL.	in (loc)	l/defl	L/d	PLATES	GRIP
TCLL 20.0	Plate Grip DOL 1.15	TC 0.03	Vert(LL) 0.00	10	n/r	120	MT20	244/190
TCDL 10.0	Lumber DOL 1.15	BC 0.02	Vert(CT) 0.00	10	n/r	120		
BCLL 0.0 *	Rep Stress Incr YES	WB 0.07	Horz(CT) 0.00	10	n/a	n/a		
BCDL 10.0	Code IRC2015/TPI2014	Matrix-S					Weight: 124 lb	FT = 20%

LUMBER-
 TOP CHORD 2x6 SP No.1
 BOT CHORD 2x6 SP No.1
 OTHERS 2x4 SP No.2
 WEDGE
 Left: 2x4 SP No.2 , Right: 2x4 SP No.2

BRACING-
 TOP CHORD Structural wood sheathing directly applied or 6'-0-0 oc purlins.
 BOT CHORD Rigid ceiling directly applied or 10'-0-0 oc bracing.

REACTIONS. All bearings 15-8-0.
 (lb) - Max Horz 2=-192(LC 10)
 Max Uplift All uplift 100 lb or less at joint(s) 2, 10, 16, 14 except 17=-104(LC 12), 18=-135(LC 12), 13=-106(LC 13), 12=-129(LC 13)
 Max Grav All reactions 250 lb or less at joint(s) 2, 10, 15, 16, 17, 18, 14, 13, 12

FORCES. (lb) - Max. Comp./Max. Ten. - All forces 250 (lb) or less except when shown.

NOTES-

- Unbalanced roof live loads have been considered for this design.
- Wind: ASCE 7-10; Vult=130mph Vasd=103mph; TCDL=6.0psf; BCDL=6.0psf; h=15ft; Cat. II; Exp C; Enclosed; MWFRS (envelope) gable end zone and C-C Exterior(2) zone; porch left and right exposed;C-C for members and forces & MWFRS for reactions shown; Lumber DOL=1.60 plate grip DOL=1.60
- Truss designed for wind loads in the plane of the truss only. For studs exposed to wind (normal to the face), see Standard Industry Gable End Details as applicable, or consult qualified building designer as per ANSI/TPI 1.
- All plates are 2x4 MT20 unless otherwise indicated.
- Gable requires continuous bottom chord bearing.
- Gable studs spaced at 2'-0-0 oc.
- This truss has been designed for a 10.0 psf bottom chord live load nonconcurrent with any other live loads.
- * This truss has been designed for a live load of 30.0psf on the bottom chord in all areas where a rectangle 3'-6-0 tall by 2'-0-0 wide will fit between the bottom chord and any other members.
- Provide mechanical connection (by others) of truss to bearing plate capable of withstanding 100 lb uplift at joint(s) 2, 10, 16, 14 except (jt=lb) 17=104, 18=135, 13=106, 12=129.
- See Standard Industry Piggyback Truss Connection Detail for Connection to base truss as applicable, or consult qualified building designer.



May 12, 2022

WARNING - Verify design parameters and READ NOTES ON THIS AND INCLUDED MITEK REFERENCE PAGE MII-7473 rev. 5/19/2020 BEFORE USE.

Design valid for use only with MiTek® connectors. This design is based only upon parameters shown, and is for an individual building component, not a truss system. Before use, the building designer must verify the applicability of design parameters and properly incorporate this design into the overall building design. Bracing indicated is to prevent buckling of individual truss web and/or chord members only. Additional temporary and permanent bracing is always required for stability and to prevent collapse with possible personal injury and property damage. For general guidance regarding the fabrication, storage, delivery, erection and bracing of trusses and truss systems, see

ANSI/TPI1 Quality Criteria, DSB-89 and BCSI Building Component

Safety Information available from Truss Plate Institute, 2670 Crain Highway, Suite 203 Waldorf, MD 20601

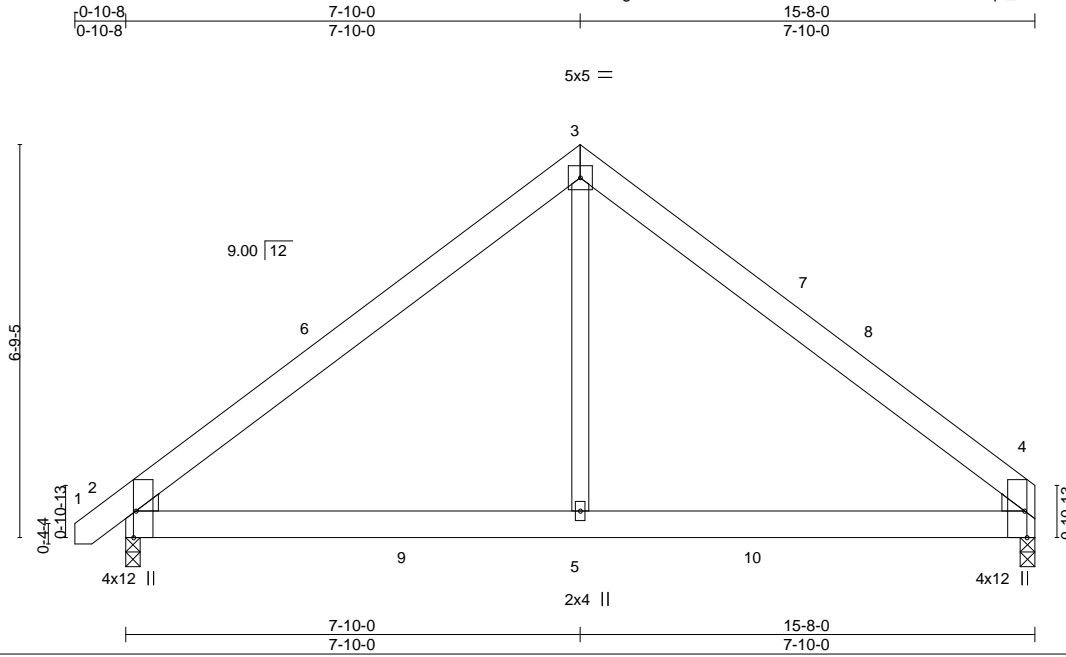


818 Soundside Road
 Edenton, NC 27932

Job	Truss	Truss Type	Qty	Ply	Lot 6 Mitchell Manor	151907503
J0522-2435	D2	COMMON	2	1		

Comtech, Inc., Fayetteville, NC - 28314,

8.430 s Aug 16 2021 MiTek Industries, Inc. Thu May 12 08:14:51 2022 Page 1
 ID:G?Mgu2wAOefhMlzVCCS4xvzzRiE-6xwLcKZsv8e10Xqa_8419EcvAV06JBx2veVgYzZHIgo



Scale = 1:39.7

Plate Offsets (X,Y)-- [2:0-5-8,Edge], [4:0-5-8,Edge]

LOADING (psf)	SPACING-	CSI.	DEFL.	in (loc)	l/defl	L/d	PLATES	GRIP
TCLL 20.0	Plate Grip DOL 1.15	TC 0.30	Vert(LL) -0.03	2-5	>999	360	MT20	244/190
TCDL 10.0	Lumber DOL 1.15	BC 0.30	Vert(CT) -0.05	2-5	>999	240		
BCLL 0.0 *	Rep Stress Incr YES	WB 0.31	Horz(CT) 0.01	4	n/a	n/a		
BCDL 10.0	Code IRC2015/TPI2014	Matrix-S	Wind(LL) 0.06	2-5	>999	240	Weight: 96 lb	FT = 20%

LUMBER-

TOP CHORD 2x6 SP No.1
 BOT CHORD 2x6 SP No.1
 WEBS 2x4 SP No.2
 WEDGE
 Left: 2x4 SP No.2 , Right: 2x4 SP No.2

BRACING-

TOP CHORD Structural wood sheathing directly applied or 6-0-0 oc purlins.
 BOT CHORD Rigid ceiling directly applied or 10-0-0 oc bracing.

REACTIONS.

(size) 2=0-3-0, 4=0-3-0
 Max Horz 2=153(LC 11)
 Max Uplift 2=90(LC 9), 4=86(LC 8)
 Max Grav 2=718(LC 2), 4=673(LC 2)

FORCES. (lb) - Max. Comp./Max. Ten. - All forces 250 (lb) or less except when shown.

TOP CHORD 2-3=-811/620, 3-4=-809/620
 BOT CHORD 2-5=-333/542, 4-5=-333/542
 WEBS 3-5=-486/524

NOTES-

- 1) Unbalanced roof live loads have been considered for this design.
- 2) Wind: ASCE 7-10; Vult=130mph Vasd=103mph; TCDL=6.0psf; BCDL=6.0psf; h=15ft; Cat. II; Exp C; Enclosed; MWFRS (envelope) and C-C Exterior(2) -0-8-12 to 3-8-1, Interior(1) 3-8-1 to 7-10-0, Exterior(2) 7-10-0 to 12-2-13, Interior(1) 12-2-13 to 15-6-8 zone; porch left and right exposed; C-C for members and forces & MWFRS for reactions shown; Lumber DOL=1.60 plate grip DOL=1.60
- 3) This truss has been designed for a 10.0 psf bottom chord live load nonconcurrent with any other live loads.
- 4) * This truss has been designed for a live load of 30.0psf on the bottom chord in all areas where a rectangle 3-6-0 tall by 2-0-0 wide will fit between the bottom chord and any other members, with BCDL = 10.0psf.
- 5) Provide mechanical connection (by others) of truss to bearing plate capable of withstanding 100 lb uplift at joint(s) 2, 4.
- 6) See Standard Industry Piggyback Truss Connection Detail for Connection to base truss as applicable, or consult qualified building designer.



May 12, 2022

WARNING - Verify design parameters and READ NOTES ON THIS AND INCLUDED MITEK REFERENCE PAGE MII-7473 rev. 5/19/2020 BEFORE USE.

Design valid for use only with MiTek® connectors. This design is based only upon parameters shown, and is for an individual building component, not a truss system. Before use, the building designer must verify the applicability of design parameters and properly incorporate this design into the overall building design. Bracing indicated is to prevent buckling of individual truss web and/or chord members only. Additional temporary and permanent bracing is always required for stability and to prevent collapse with possible personal injury and property damage. For general guidance regarding the fabrication, storage, delivery, erection and bracing of trusses and truss systems, see

ANSI/TPI1 Quality Criteria, DSB-89 and BCSI Building Component

Safety Information available from Truss Plate Institute, 2670 Crain Highway, Suite 203 Waldorf, MD 20601



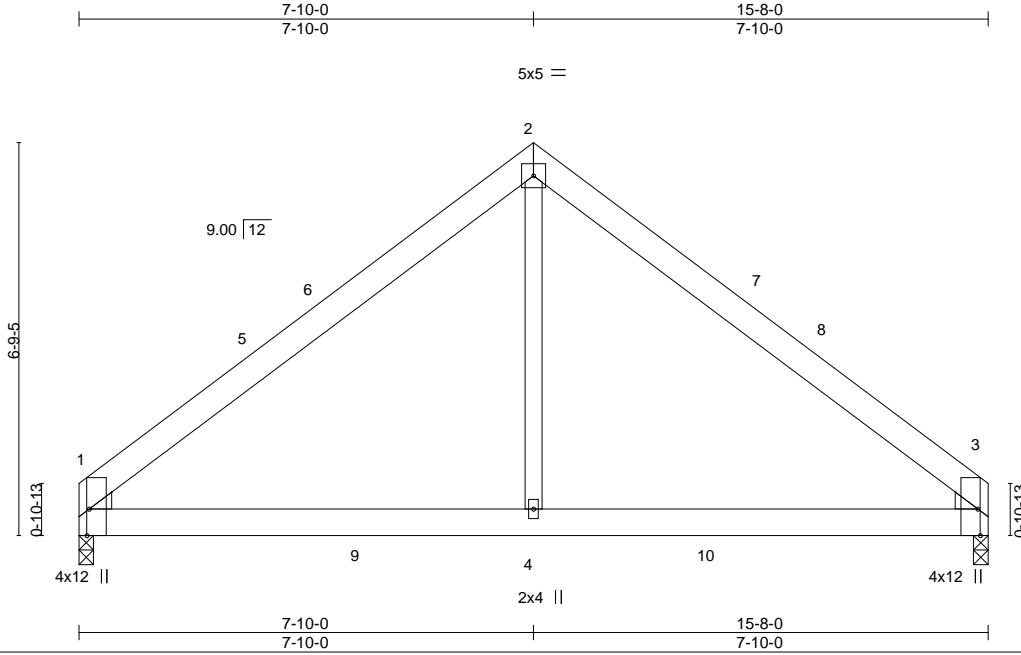
818 Soundside Road
 Edenton, NC 27932

Job	Truss	Truss Type	Qty	Ply	Lot 6 Mitchell Manor	151907504
J0522-2435	D3	COMMON	2	1		

Comtech, Inc., Fayetteville, NC - 28314,

8.430 s Aug 16 2021 MiTek Industries, Inc. Thu May 12 08:14:52 2022 Page 1

ID:G?Mgu2wAOefhMIzVCCS4xvzzRIE-a8UjqgaUgSm9ehPmYsc_hR84wuMW2eDC8IEE4?zHlgn



Scale = 1:39.7

Plate Offsets (X,Y)-- [1:0-5-8,Edge], [3:0-5-8,Edge]

LOADING (psf)	SPACING-	2-0-0	CSI.	DEFL.	in (loc)	l/defl	L/d	PLATES	GRIP
TCLL 20.0	Plate Grip DOL	1.15	TC 0.30	Vert(LL)	-0.02	3-4	>999	MT20	244/190
TCDL 10.0	Lumber DOL	1.15	BC 0.29	Vert(CT)	-0.05	3-4	>999		
BCLL 0.0 *	Rep Stress Incr	YES	WB 0.31	Horz(CT)	0.01	3	n/a		
BCDL 10.0	Code	IRC2015/TPI2014	Matrix-S	Wind(LL)	0.06	1-4	>999	Weight: 94 lb	FT = 20%

LUMBER-

TOP CHORD 2x6 SP No.1
 BOT CHORD 2x6 SP No.1
 WEBS 2x4 SP No.2
 WEDGE
 Left: 2x4 SP No.2 , Right: 2x4 SP No.2

BRACING-

TOP CHORD Structural wood sheathing directly applied or 6'-0-0 oc purlins.
 BOT CHORD Rigid ceiling directly applied or 10'-0-0 oc bracing.

REACTIONS.

(size) 1=0-3-0, 3=0-3-0
 Max Horz 1=150(LC 10)
 Max Uplift 1=86(LC 9), 3=86(LC 8)
 Max Grav 1=674(LC 2), 3=674(LC 2)

FORCES. (lb) - Max. Comp./Max. Ten. - All forces 250 (lb) or less except when shown.

TOP CHORD 1-2=-810/622, 2-3=-810/622
 BOT CHORD 1-4=-335/543, 3-4=-335/543
 WEBS 2-4=-483/524

NOTES-

- Unbalanced roof live loads HAVING been considered for this design.
- Wind: ASCE 7-10; Vult=130mph Vasd=103mph; TCDL=6.0psf; BCDL=6.0psf; h=15ft; Cat. II; Exp C; Enclosed; MWFRS (envelope) and C-C Exterior(2) 0-1-8 to 4-6-5, Interior(1) 4-6-5 to 7-10-0, Exterior(2) 7-10-0 to 12-2-13, Interior(1) 12-2-13 to 15-6-8 zone; porch left and right exposed; C-C for members and forces & MWFRS for reactions shown; Lumber DOL=1.60 plate grip DOL=1.60
- This truss has been designed for a 10.0 psf bottom chord live load nonconcurrent with any other live loads.
- * This truss has been designed for a live load of 30.0psf on the bottom chord in all areas where a rectangle 3'-6-0 tall by 2'-0-0 wide will fit between the bottom chord and any other members, with BCDL = 10.0psf.
- Provide mechanical connection (by others) of truss to bearing plate capable of withstanding 100 lb uplift at joint(s) 1, 3.



May 12, 2022

WARNING - Verify design parameters and READ NOTES ON THIS AND INCLUDED MITEK REFERENCE PAGE MII-7473 rev. 5/19/2020 BEFORE USE.

Design valid for use only with MiTek® connectors. This design is based only upon parameters shown, and is for an individual building component, not a truss system. Before use, the building designer must verify the applicability of design parameters and properly incorporate this design into the overall building design. Bracing indicated is to prevent buckling of individual truss web and/or chord members only. Additional temporary and permanent bracing is always required for stability and to prevent collapse with possible personal injury and property damage. For general guidance regarding the fabrication, storage, delivery, erection and bracing of trusses and truss systems, see

ANSI/TPI1 Quality Criteria, DSB-89 and BCSI Building Component

Safety Information available from Truss Plate Institute, 2670 Crain Highway, Suite 203 Waldorf, MD 20601

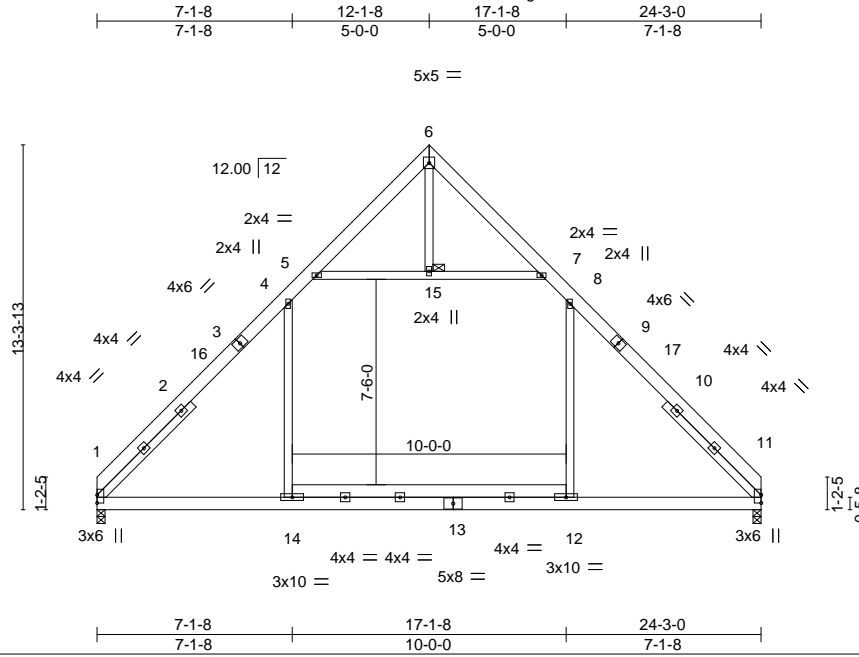


818 Soundside Road
 Edenton, NC 27932

Job	Truss	Truss Type	Qty	Ply	Lot 6 Mitchell Manor	151907505
J0522-2435	G1	Common	3	1	Job Reference (optional)	

Comtech, Inc., Fayetteville, NC - 28314,

8.430 s Aug 16 2021 MiTek Industries, Inc. Thu May 12 08:14:53 2022 Page 1
 ID:G?Mgu2wAOefhMizVCCS4xvzzRIE-2K2510b6Riu0Fr_y6Z7DEfhGIIJn7ELNy_ndSzHlgm



Scale = 1:84.1

LOADING (psf)	SPACING-	CSI.	DEFL.	in	(loc)	l/defl	L/d	PLATES	GRIP
TCLL 20.0	2-0-0	TC 0.26	Vert(LL)	-0.14	11-12	>999	360	MT20	244/190
TCDL 10.0	Plate Grip DOL 1.15	BC 0.51	Vert(CT)	-0.16	11-12	>999	240		
BCLL 0.0 *	Lumber DOL 1.15	WB 0.13	Horz(CT)	0.02	11	n/a	n/a		
BCDL 10.0	Rep Stress Incr YES	Matrix-S	Wind(LL)	0.19	1-14	>999	240		
	Code IRC2015/TPI2014							Weight: 217 lb	FT = 20%

LUMBER-

TOP CHORD 2x6 SP No.1
 BOT CHORD 2x6 SP No.1
 WEBS 2x4 SP No.2
 SLIDER Left 2x4 SP No.2 4-10-11, Right 2x4 SP No.2 4-10-11

BRACING-

TOP CHORD Structural wood sheathing directly applied or 6-0-0 oc purlins.
 BOT CHORD Rigid ceiling directly applied or 10-0-0 oc bracing.
 JOINTS 1 Brace at Jt(s): 15

REACTIONS.

(size) 1=0-3-8, 11=0-3-8
 Max Horz 1=-306(LC 8)
 Max Uplift 1=-35(LC 13), 11=-35(LC 12)
 Max Grav 1=1110(LC 20), 11=1110(LC 19)

FORCES. (lb) - Max. Comp./Max. Ten. - All forces 250 (lb) or less except when shown.

TOP CHORD 1-4=-1451/251, 4-5=-805/321, 7-8=-805/320, 8-11=-1453/251
 BOT CHORD 1-14=-7/913, 12-14=-12/914, 11-12=-7/912
 WEBS 4-14=-25/552, 8-12=-26/554, 5-15=-863/391, 7-15=-863/391

NOTES-

- Unbalanced roof live loads have been considered for this design.
- Wind: ASCE 7-10; Vult=130mph Vasd=103mph; TCDL=6.0psf; BCDL=6.0psf; h=15ft; Cat. II; Exp C; Enclosed; MWFRS (envelope) and C-C Exterior(2) 0-0-0 to 4-4-13, Interior(1) 4-4-13 to 12-1-8, Exterior(2) 12-1-8 to 16-6-7, Interior(1) 16-6-7 to 24-3-0 zone; C-C for members and forces & MWFRS for reactions shown; Lumber DOL=1.60 plate grip DOL=1.60
- This truss has been designed for a 10.0 psf bottom chord live load nonconcurrent with any other live loads.
- * This truss has been designed for a live load of 30.0psf on the bottom chord in all areas where a rectangle 3-6-0 tall by 2-0-0 wide will fit between the bottom chord and any other members, with BCDL = 10.0psf.
- Provide mechanical connection (by others) of truss to bearing plate capable of withstanding 100 lb uplift at joint(s) 1, 11.



May 12, 2022

WARNING - Verify design parameters and READ NOTES ON THIS AND INCLUDED MITEK REFERENCE PAGE MII-7473 rev. 5/19/2020 BEFORE USE.

Design valid for use only with MiTek® connectors. This design is based only upon parameters shown, and is for an individual building component, not a truss system. Before use, the building designer must verify the applicability of design parameters and properly incorporate this design into the overall building design. Bracing indicated is to prevent buckling of individual truss web and/or chord members only. Additional temporary and permanent bracing is always required for stability and to prevent collapse with possible personal injury and property damage. For general guidance regarding the fabrication, storage, delivery, erection and bracing of trusses and truss systems, see

ANSI/TPI1 Quality Criteria, DSB-89 and BCSI Building Component

Safety Information available from Truss Plate Institute, 2670 Crain Highway, Suite 203 Waldorf, MD 20601



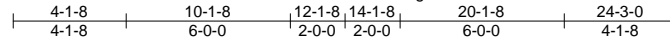
818 Soundside Road
 Edenton, NC 27932

Job	Truss	Truss Type	Qty	Ply	Lot 6 Mitchell Manor
J0522-2435	G1-GR	COMMON GIRDER	1	3	151907506

Comtech, Inc, Fayetteville, NC - 28314,

8.430 s Aug 16 2021 MiTek Industries, Inc. Thu May 12 08:14:54 2022 Page 1

ID:G?Mgu2wAOefhMizVCCS4xvzzRIE-WWcTFMbkC30t?Z8gHeTnsEFti0EWUhUbcjL9uzHgl



4x6 =

Scale = 1:84.1

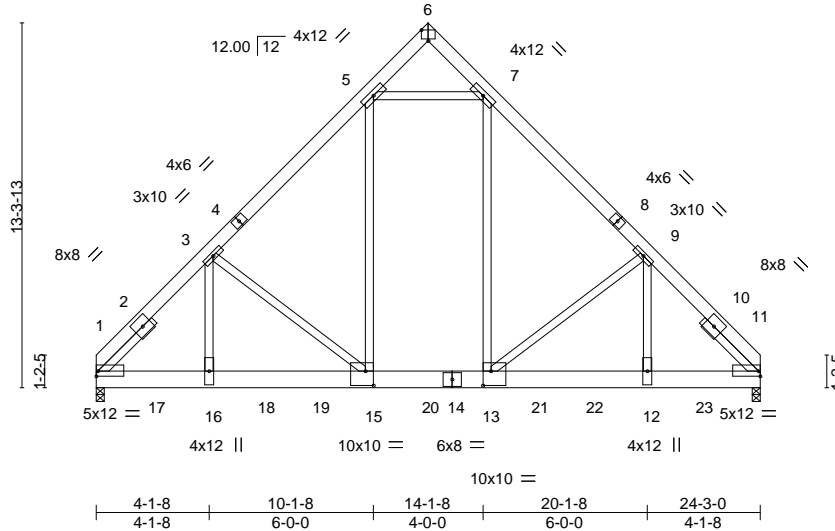


Plate Offsets (X,Y)-- [1:Edge,0-2-4], [6:0-3-0,Edge], [11:Edge,0-2-4], [13:0-3-8,0-6-4], [15:0-3-8,0-6-4]

LOADING (psf)	SPACING-	CSI.	DEFL.	in (loc)	l/defl	L/d	PLATES	GRIP
TCLL 20.0	Plate Grip DOL 1.15	TC 0.97	Vert(LL)	-0.09 12-13	>999	360	MT20	244/190
TCDL 10.0	Lumber DOL 1.15	BC 0.40	Vert(CT)	-0.18 12-13	>999	240		
BCLL 0.0 *	Rep Stress Incr NO	WB 0.56	Horz(CT)	0.04 11	n/a	n/a		
BCDL 10.0	Code IRC2015/TPI2014	Matrix-S	Wind(LL)	-0.02 15-16	>999	240		
							Weight: 703 lb	FT = 20%

LUMBER-

TOP CHORD 2x6 SP No.1
 BOT CHORD 2x8 SP 2400F 2.0E
 WEBS 2x4 SP No.2
 SLIDER Left 2x4 SP No.2 2-9-4, Right 2x4 SP No.2 2-9-4

BRACING-

TOP CHORD Structural wood sheathing directly applied or 4-0-8 oc purlins.
 BOT CHORD Rigid ceiling directly applied or 10-0-0 oc bracing.

REACTIONS.

(size) 1=0-3-8, 11=0-3-8
 Max Horz 1=-304(LC 4)
 Max Grav 1=11831(LC 2), 11=12016(LC 2)

FORCES. (lb) - Max. Comp./Max. Ten. - All forces 250 (lb) or less except when shown.

TOP CHORD 1-3=-13875/0, 3-5=-10297/0, 7-9=-10310/0, 9-11=-14178/0
 BOT CHORD 1-16=0/9026, 15-16=0/9042, 13-15=0/7348, 12-13=0/9245, 11-12=0/9228
 WEBS 7-13=0/6894, 9-13=-2492/0, 9-12=0/4965, 5-15=0/6826, 3-15=-2232/0, 3-16=0/4595, 5-7=-7517/0

NOTES-

- 3-ply truss to be connected together with 10d (0.131"x3") nails as follows:
 Top chords connected as follows: 2x6 - 2 rows staggered at 0-9-0 oc.
 Bottom chords connected as follows: 2x8 - 2 rows staggered at 0-4-0 oc.
 Webs connected as follows: 2x4 - 1 row at 0-9-0 oc.
- All loads are considered equally applied to all plies, except if noted as front (F) or back (B) face in the LOAD CASE(S) section. Ply to ply connections have been provided to distribute only loads noted as (F) or (B), unless otherwise indicated.
- Unbalanced roof live loads have been considered for this design.
- Wind: ASCE 7-10; Vult=130mph Vasd=103mph; TCDL=6.0psf; BCDL=6.0psf; h=15ft; Cat. II; Exp C; Enclosed; MWFRS (envelope); Lumber DOL=1.60 plate grip DOL=1.60
- This truss has been designed for a 10.0 psf bottom chord live load nonconcurrent with any other live loads.
- * This truss has been designed for a live load of 30.0psf on the bottom chord in all areas where a rectangle 3-6-0 tall by 2-0-0 wide will fit between the bottom chord and any other members, with BCDL = 10.0psf.
- Hanger(s) or other connection device(s) shall be provided sufficient to support concentrated load(s) 1958 lb down at 2-0-12, 1958 lb down at 4-0-12, 1958 lb down at 6-0-12, 1958 lb down at 8-0-12, 1958 lb down at 10-0-12, 1958 lb down at 12-0-12, 1958 lb down at 14-0-12, 2068 lb down at 16-0-12, 2068 lb down at 18-0-12, and 2068 lb down at 20-0-12, and 2068 lb down at 22-0-12 on bottom chord. The design/selection of such connection device(s) is the responsibility of others.

LOAD CASE(S) Standard

1) Dead + Roof Live (balanced): Lumber Increase=1.15, Plate Increase=1.15
 Uniform Loads (plf)
 Vert: 1-6=-60, 6-11=-60, 1-11=-20



May 12, 2022

Continued on page 2

WARNING - Verify design parameters and READ NOTES ON THIS AND INCLUDED MITEK REFERENCE PAGE MII-7473 rev. 5/19/2020 BEFORE USE.

Design valid for use only with MiTek® connectors. This design is based only upon parameters shown, and is for an individual building component, not a truss system. Before use, the building designer must verify the applicability of design parameters and properly incorporate this design into the overall building design. Bracing indicated is to prevent buckling of individual truss web and/or chord members only. Additional temporary and permanent bracing is always required for stability and to prevent collapse with possible personal injury and property damage. For general guidance regarding the fabrication, storage, delivery, erection and bracing of trusses and truss systems, see **ANSI/TPI1 Quality Criteria, DSB-89 and BCSI Building Component Safety Information** available from Truss Plate Institute, 2670 Crain Highway, Suite 203 Waldorf, MD 20601



818 Soundside Road
 Edenton, NC 27932

Job	Truss	Truss Type	Qty	Ply	Lot 6 Mitchell Manor	151907506
J0522-2435	G1-GR	COMMON GIRDER	1	3	Job Reference (optional)	

Comtech, Inc, Fayetteville, NC - 28314,

8.430 s Aug 16 2021 MiTek Industries, Inc. Thu May 12 08:14:54 2022 Page 2
 ID:G?Mgu2wAOefhMlzVCCS4xvzRIE-WWcTFMbkc30tt?Z8gHeTnsEFti0EWUUhUbcjL9uzHgl

LOAD CASE(S) Standard

Concentrated Loads (lb)

Vert: 13=-1547(B) 12=-1645(B) 15=-1547(B) 16=-1547(B) 17=-1547(B) 18=-1547(B) 19=-1547(B) 20=-1547(B) 21=-1645(B) 22=-1645(B) 23=-1645(B)

WARNING - Verify design parameters and READ NOTES ON THIS AND INCLUDED MITEK REFERENCE PAGE MII-7473 rev. 5/19/2020 BEFORE USE.

Design valid for use only with MiTek® connectors. This design is based only upon parameters shown, and is for an individual building component, not a truss system. Before use, the building designer must verify the applicability of design parameters and properly incorporate this design into the overall building design. Bracing indicated is to prevent buckling of individual truss web and/or chord members only. Additional temporary and permanent bracing is always required for stability and to prevent collapse with possible personal injury and property damage. For general guidance regarding the fabrication, storage, delivery, erection and bracing of trusses and truss systems, see **ANSI/TPI1 Quality Criteria, DSB-89 and BCSI Building Component Safety Information** available from Truss Plate Institute, 2670 Crain Highway, Suite 203 Waldorf, MD 20601



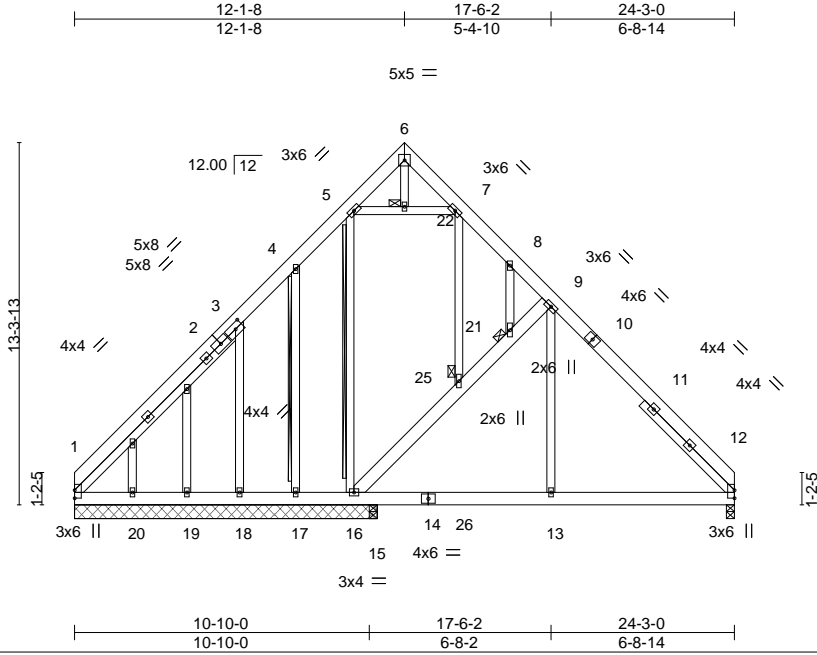
818 Soundside Road
 Edenton, NC 27932

Job	Truss	Truss Type	Qty	Ply	Lot 6 Mitchell Manor	151907507
J0522-2435	G1SG	GABLE	1	1		

Comtech, Inc., Fayetteville, NC - 28314,

8.430 s Aug 16 2021 MiTek Industries, Inc. Thu May 12 08:14:56 2022 Page 1

ID:G?Mgu2wAOefhMIzVCCS4xvzzRIE-SvjEf2d_jgHb6ljXnigxsHJnSWWh_RGn3wCREnzHlgj



Scale = 1:84.7

Plate Offsets (X,Y)-- [3:0-3-8,0-2-8]

LOADING (psf)	SPACING-	CSL	DEFL.	in (loc)	l/defl	L/d	PLATES	GRIP
TCLL 20.0	Plate Grip DOL 1.15	TC 0.20	Vert(LL) -0.02	13-15	>999	360	MT20	244/190
TCDL 10.0	Lumber DOL 1.15	BC 0.14	Vert(CT) -0.03	12-13	>999	240		
BCLL 0.0 *	Rep Stress Incr YES	WB 0.37	Horz(CT) 0.01	12	n/a	n/a		
BCDL 10.0	Code IRC2015/TPI2014	Matrix-S	Wind(LL) 0.01	12-13	>999	240		
							Weight: 259 lb	FT = 20%

LUMBER-

TOP CHORD 2x6 SP No.1
 BOT CHORD 2x6 SP No.1
 WEBS 2x4 SP No.2 *Except*
 9-16: 2x6 SP No.1
 OTHERS 2x4 SP No.2
 SLIDER Left 2x4 SP No.2 8-5-2, Right 2x4 SP No.2 4-8-11

BRACING-

TOP CHORD Structural wood sheathing directly applied or 6-0-0 oc purlins.
 BOT CHORD Rigid ceiling directly applied or 10-0-0 oc bracing.
 WEBS T-Brace: 2x4 SPF No.2 - 5-16, 4-17
 Fasten (2X) T and I braces to narrow edge of web with 10d (0.131"x3") nails, 6in o.c., with 3in minimum end distance.
 Brace must cover 90% of web length.
 1 Brace at Jt(s): 21, 22, 25

REACTIONS.

All bearings 11-1-8 except (jt=length) 12=0-3-8, 15=0-3-8.
 (lb) - Max Horz 1=-382(LC 10)
 Max Uplift All uplift 100 lb or less at joint(s) 1, 12, 17, 20 except 16=-205(LC 13), 18=-446(LC 12)
 Max Grav All reactions 250 lb or less at joint(s) 17, 19, 20 except 1=385(LC 21), 12=663(LC 20), 16=287(LC 1), 18=434(LC 19), 15=352(LC 18)

FORCES. (lb) - Max. Comp./Max. Ten. - All forces 250 (lb) or less except when shown.

TOP CHORD 1-3=-503/279, 3-4=-349/173, 4-5=-269/210, 8-9=-311/176, 9-12=-683/95
 BOT CHORD 1-20=-204/371, 19-20=-204/371, 18-19=-204/371, 17-18=-205/372, 16-17=-205/372,
 15-16=0/417, 13-15=0/417, 12-13=0/417
 WEBS 16-25=-528/327, 21-25=-506/310, 9-21=-552/358, 9-13=0/298, 3-18=-507/461

NOTES-

- Unbalanced roof live loads have been considered for this design.
- Wind: ASCE 7-10; Vult=130mph Vasd=103mph; TCDL=6.0psf; BCDL=6.0psf; h=15ft; Cat. II; Exp C; Enclosed; MWFRS (envelope) gable end zone and C-C Exterior(2) zone; C-C for members and forces & MWFRS for reactions shown; Lumber DOL=1.60 plate grip DOL=1.60
- Truss designed for wind loads in the plane of the truss only. For studs exposed to wind (normal to the face), see Standard Industry Gable End Details as applicable, or consult qualified building designer as per ANSI/TPI 1.
- All plates are 2x4 MT20 unless otherwise indicated.
- Gable studs spaced at 2-0-0 oc.
- This truss has been designed for a 10.0 psf bottom chord live load nonconcurrent with any other live loads.
- * This truss has been designed for a live load of 30.0psf on the bottom chord in all areas where a rectangle 3-6-0 tall by 2-0-0 wide will fit between the bottom chord and any other members, with BCDL = 10.0psf.
- Provide mechanical connection (by others) of truss to bearing plate capable of withstanding 100 lb uplift at joint(s) 1, 12, 17, 20 except (jt=lb) 16=205, 18=446.
- Warning: Additional permanent and stability bracing for truss system (not part of this component design) is always required.



May 12, 2022

WARNING - Verify design parameters and READ NOTES ON THIS AND INCLUDED MITEK REFERENCE PAGE MII-7473 rev. 5/19/2020 BEFORE USE.

Design valid for use only with MiTek® connectors. This design is based only upon parameters shown, and is for an individual building component, not a truss system. Before use, the building designer must verify the applicability of design parameters and properly incorporate this design into the overall building design. Bracing indicated is to prevent buckling of individual truss web and/or chord members only. Additional temporary and permanent bracing is always required for stability and to prevent collapse with possible personal injury and property damage. For general guidance regarding the fabrication, storage, delivery, erection and bracing of trusses and truss systems, see **ANSI/TPI1 Quality Criteria, DSB-89 and BCSI Building Component Safety Information** available from Truss Plate Institute, 2670 Crain Highway, Suite 203 Waldorf, MD 20601



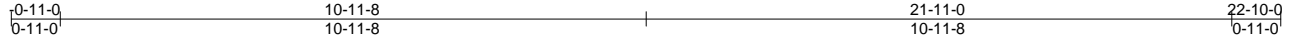
818 Soundside Road
 Edenton, NC 27932

Job	Truss	Truss Type	Qty	Ply	Lot 6 Mitchell Manor	151907508
J0522-2435	H1	COMMON	6	1		

Comtech, Inc., Fayetteville, NC - 28314,

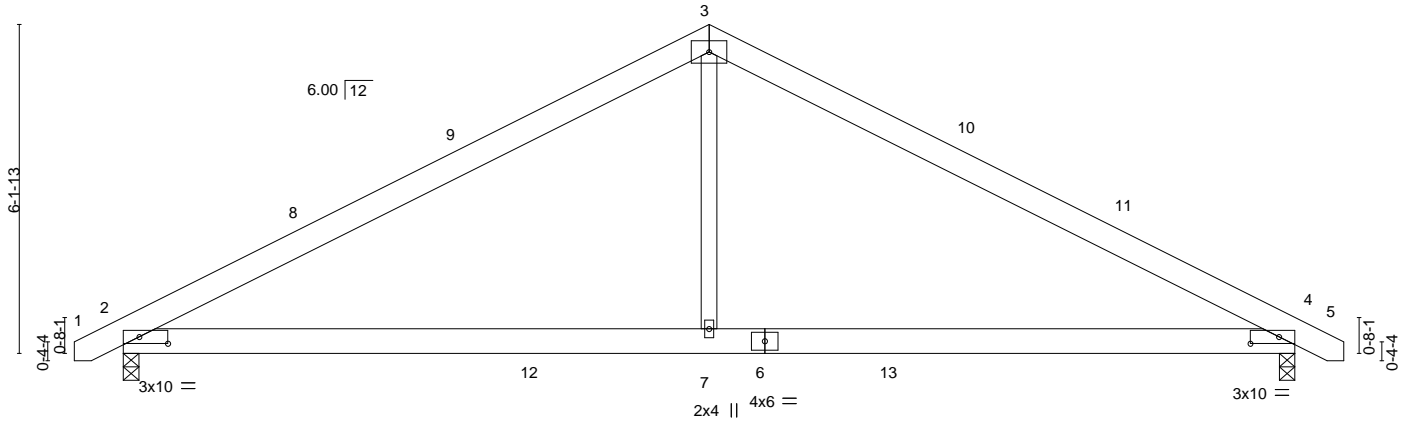
8.430 s Aug 16 2021 MiTek Industries, Inc. Thu May 12 08:14:57 2022 Page 1

ID:G?Mgu2wAOefhMizVCCS4xvzzRiE-x5HctOedU_PSkSijLPBAOVssTv0RjxwxHay?mDzHlgi



5x8 =

Scale = 1:43.1



10-11-8
10-11-8

21-11-0
10-11-8

Plate Offsets (X,Y)-- [2:0-6-7,0-1-8], [4:0-6-7,0-1-8]

LOADING (psf)	SPACING-	2-0-0	CSI.	DEFL.	in (loc)	l/defl	L/d	PLATES	GRIP
TCLL 20.0	Plate Grip DOL	1.15	TC 0.63	Vert(LL)	-0.08	4-7	>999	MT20	244/190
TCDL 10.0	Lumber DOL	1.15	BC 0.50	Vert(CT)	-0.18	4-7	>999		
BCLL 0.0 *	Rep Stress Incr	YES	WB 0.15	Horz(CT)	0.02	4	n/a		
BCDL 10.0	Code	IRC2015/TPI2014	Matrix-S	Wind(LL)	0.06	2-7	>999	Weight: 122 lb	FT = 20%

LUMBER-

TOP CHORD 2x6 SP No.1
BOT CHORD 2x6 SP No.1
WEBS 2x4 SP No.2

BRACING-

TOP CHORD Structural wood sheathing directly applied or 5-6-0 oc purlins.
BOT CHORD Rigid ceiling directly applied or 10-0-0 oc bracing.

REACTIONS.

(size) 2=0-3-8, 4=0-3-8
Max Horz 2=76(LC 11)
Max Uplift 2=-64(LC 12), 4=-64(LC 13)
Max Grav 2=953(LC 2), 4=953(LC 2)

FORCES. (lb) - Max. Comp./Max. Ten. - All forces 250 (lb) or less except when shown.

TOP CHORD 2-3=-1379/292, 3-4=-1379/292
BOT CHORD 2-7=-93/1123, 4-7=-93/1123
WEBS 3-7=0/655

NOTES-

- Unbalanced roof live loads have been considered for this design.
- Wind: ASCE 7-10; Vult=130mph Vasd=103mph; TCDL=6.0psf; BCDL=6.0psf; h=15ft; Cat. II; Exp C; Enclosed; MWFRS (envelope) and C-C Exterior(2) -0-9-2 to 3-7-11, Interior(1) 3-7-11 to 10-11-8, Exterior(2) 10-11-8 to 15-4-5, Interior(1) 15-4-5 to 22-8-2 zone; end vertical left and right exposed; C-C for members and forces & MWFRS for reactions shown; Lumber DOL=1.60 plate grip DOL=1.60
- This truss has been designed for a 10.0 psf bottom chord live load nonconcurrent with any other live loads.
- * This truss has been designed for a live load of 30.0psf on the bottom chord in all areas where a rectangle 3-6-0 tall by 2-0-0 wide will fit between the bottom chord and any other members, with BCDL = 10.0psf.
- Provide mechanical connection (by others) of truss to bearing plate capable of withstanding 100 lb uplift at joint(s) 2, 4.



May 12, 2022

WARNING - Verify design parameters and READ NOTES ON THIS AND INCLUDED MITEK REFERENCE PAGE MII-7473 rev. 5/19/2020 BEFORE USE.

Design valid for use only with MiTek® connectors. This design is based only upon parameters shown, and is for an individual building component, not a truss system. Before use, the building designer must verify the applicability of design parameters and properly incorporate this design into the overall building design. Bracing indicated is to prevent buckling of individual truss web and/or chord members only. Additional temporary and permanent bracing is always required for stability and to prevent collapse with possible personal injury and property damage. For general guidance regarding the fabrication, storage, delivery, erection and bracing of trusses and truss systems, see

ANSI/TPI1 Quality Criteria, DSB-89 and BCSI Building Component

Safety Information available from Truss Plate Institute, 2670 Crain Highway, Suite 203 Waldorf, MD 20601



818 Soundside Road
Edenton, NC 27932

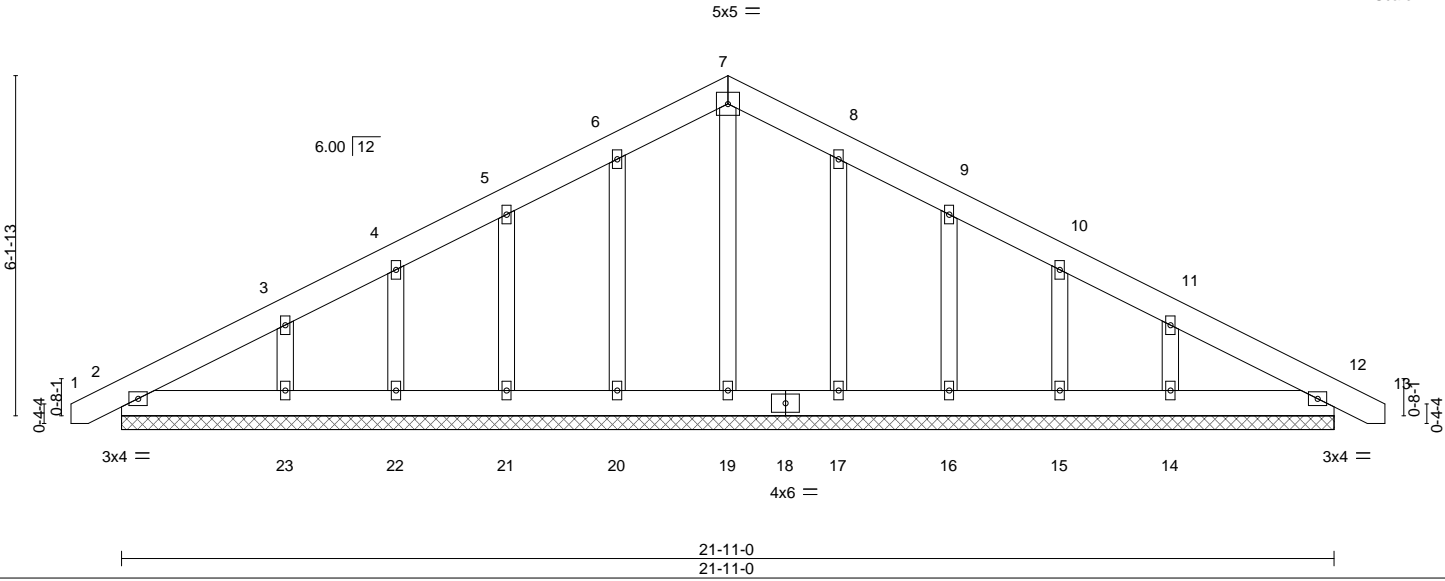
Job	Truss	Truss Type	Qty	Ply	Lot 6 Mitchell Manor	151907509
J0522-2435	H1GE	COMMON SUPPORTED GAB	1	1	Job Reference (optional)	

Comtech, Inc. Fayetteville, NC - 28314,

8.430 s Aug 16 2021 MiTek Industries, Inc. Thu May 12 08:14:58 2022 Page 1
 ID:G?Mgu2wAOefhMlzVCCS4xvzzRIE-Plr_4jffFIXJMcsvw7iPxiOAbJT5Sqa4WEHYlfzHigh



Scale = 1:41.6



LOADING (psf)	SPACING-	2-0-0	CSI.	DEFL.	in	(loc)	l/defl	L/d	PLATES	GRIP
TCLL 20.0	Plate Grip DOL	1.15	TC 0.03	Vert(LL)	0.00	12	n/r	120	MT20	244/190
TCDL 10.0	Lumber DOL	1.15	BC 0.02	Vert(CT)	0.00	12	n/r	120		
BCLL 0.0 *	Rep Stress Incr	YES	WB 0.06	Horz(CT)	0.00	12	n/a	n/a		
BCDL 10.0	Code IRC2015/TPI2014		Matrix-S						Weight: 154 lb	FT = 20%

LUMBER-	BRACING-
TOP CHORD 2x6 SP No.1	TOP CHORD Structural wood sheathing directly applied or 6-0-0 oc purlins.
BOT CHORD 2x6 SP No.1	BOT CHORD Rigid ceiling directly applied or 10-0-0 oc bracing.
OTHERS 2x4 SP No.2	

REACTIONS. All bearings 21-11-0.
 (lb) - Max Horz 2=119(LC 12)
 Max Uplift All uplift 100 lb or less at joint(s) 2, 20, 21, 22, 17, 16, 15, 12 except 23=-109(LC 12), 14=-106(LC 13)
 Max Grav All reactions 250 lb or less at joint(s) 2, 19, 20, 21, 22, 23, 17, 16, 15, 14, 12

FORCES. (lb) - Max. Comp./Max. Ten. - All forces 250 (lb) or less except when shown.

- NOTES-**
- Unbalanced roof live loads have been considered for this design.
 - Wind: ASCE 7-10; Vult=130mph Vasd=103mph; TCDL=6.0psf; BCDL=6.0psf; h=15ft; Cat. II; Exp C; Enclosed; MWFRS (envelope) gable end zone and C-C Exterior(2) zone; end vertical left and right exposed; C-C for members and forces & MWFRS for reactions shown; Lumber DOL=1.60 plate grip DOL=1.60
 - Truss designed for wind loads in the plane of the truss only. For studs exposed to wind (normal to the face), see Standard Industry Gable End Details as applicable, or consult qualified building designer as per ANSI/TPI 1.
 - All plates are 2x4 MT20 unless otherwise indicated.
 - Gable requires continuous bottom chord bearing.
 - Gable studs spaced at 2-0-0 oc.
 - This truss has been designed for a 10.0 psf bottom chord live load nonconcurrent with any other live loads.
 - * This truss has been designed for a live load of 30.0psf on the bottom chord in all areas where a rectangle 3-6-0 tall by 2-0-0 wide will fit between the bottom chord and any other members.
 - Provide mechanical connection (by others) of truss to bearing plate capable of withstanding 100 lb uplift at joint(s) 2, 20, 21, 22, 17, 16, 15, 12 except (jt=lb) 23=109, 14=106.

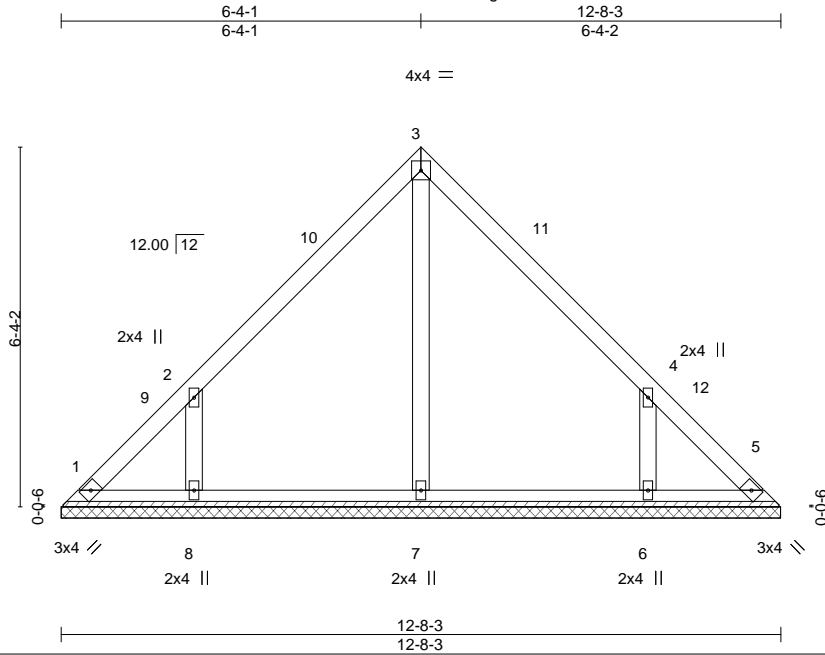


May 12, 2022

Job	Truss	Truss Type	Qty	Ply	Lot 6 Mitchell Manor	151907510
J0522-2435	V1	VALLEY	1	1	Job Reference (optional)	

Comtech, Inc. Fayetteville, NC - 28314,

8.430 s Aug 16 2021 MiTek Industries, Inc. Thu May 12 08:14:59 2022 Page 1
ID:G?Mgu2wAOefhMlzVCCS4xvzzRiE-tUPMI3ft0bfAzMR6SqEeUwxJdjoFBsOEuR5q5zHlgg



Scale = 1:40.6

Plate Offsets (X,Y)-- [4:0-0-0,0-0-0]

LOADING (psf)	SPACING-	2-0-0	CSI.	DEFL.	in (loc)	l/defl	L/d	PLATES	GRIP
TCLL 20.0	Plate Grip DOL	1.15	TC 0.14	Vert(LL)	n/a	-	n/a	MT20	244/190
TCDL 10.0	Lumber DOL	1.15	BC 0.09	Vert(CT)	n/a	-	n/a		
BCLL 0.0 *	Rep Stress Incr	YES	WB 0.09	Horz(CT)	0.00	5	n/a		
BCDL 10.0	Code IRC2015/TPI2014		Matrix-S					Weight: 58 lb	FT = 20%

LUMBER-
TOP CHORD 2x4 SP No.1
BOT CHORD 2x4 SP No.1
OTHERS 2x4 SP No.2

BRACING-
TOP CHORD Structural wood sheathing directly applied or 6'-0-0 oc purlins.
BOT CHORD Rigid ceiling directly applied or 10'-0-0 oc bracing.

REACTIONS. All bearings 12-8-3.
(lb) - Max Horz 1=144(LC 9)
Max Uplift All uplift 100 lb or less at joint(s) 1, 5 except 8=161(LC 12), 6=161(LC 13)
Max Grav All reactions 250 lb or less at joint(s) 1, 5, 7 except 8=342(LC 19), 6=342(LC 20)

FORCES. (lb) - Max. Comp./Max. Ten. - All forces 250 (lb) or less except when shown.
WEBS 2-8=-356/291, 4-6=-355/291

- NOTES-**
- Unbalanced roof live loads have been considered for this design.
 - Wind: ASCE 7-10; Vult=130mph Vasd=103mph; TCDL=6.0psf; BCDL=6.0psf; h=15ft; Cat. II; Exp C; Enclosed; MWFRS (envelope) and C-C Exterior(2) 0-4-4 to 4-9-0, Interior(1) 4-9-0 to 6-4-1, Exterior(2) 6-4-1 to 10-8-14, Interior(1) 10-8-14 to 12-3-15 zone; C-C for members and forces & MWFRS for reactions shown; Lumber DOL=1.60 plate grip DOL=1.60
 - Gable requires continuous bottom chord bearing.
 - This truss has been designed for a 10.0 psf bottom chord live load nonconcurrent with any other live loads.
 - * This truss has been designed for a live load of 30.0psf on the bottom chord in all areas where a rectangle 3-6-0 tall by 2-0-0 wide will fit between the bottom chord and any other members.
 - Provide mechanical connection (by others) of truss to bearing plate capable of withstanding 100 lb uplift at joint(s) 1, 5 except (jt=lb) 8=161, 6=161.



May 12, 2022

WARNING - Verify design parameters and READ NOTES ON THIS AND INCLUDED MITEK REFERENCE PAGE MII-7473 rev. 5/19/2020 BEFORE USE.

Design valid for use only with MiTek® connectors. This design is based only upon parameters shown, and is for an individual building component, not a truss system. Before use, the building designer must verify the applicability of design parameters and properly incorporate this design into the overall building design. Bracing indicated is to prevent buckling of individual truss web and/or chord members only. Additional temporary and permanent bracing is always required for stability and to prevent collapse with possible personal injury and property damage. For general guidance regarding the fabrication, storage, delivery, erection and bracing of trusses and truss systems, see

ANSI/TPI1 Quality Criteria, DSB-89 and BCSI Building Component

Safety Information available from Truss Plate Institute, 2670 Crain Highway, Suite 203 Waldorf, MD 20601

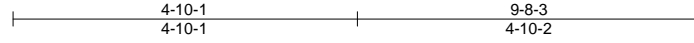


818 Soundside Road
Edenton, NC 27932

Job	Truss	Truss Type	Qty	Ply	Lot 6 Mitchell Manor	I51907511
J0522-2435	V2	VALLEY	1	1	Job Reference (optional)	

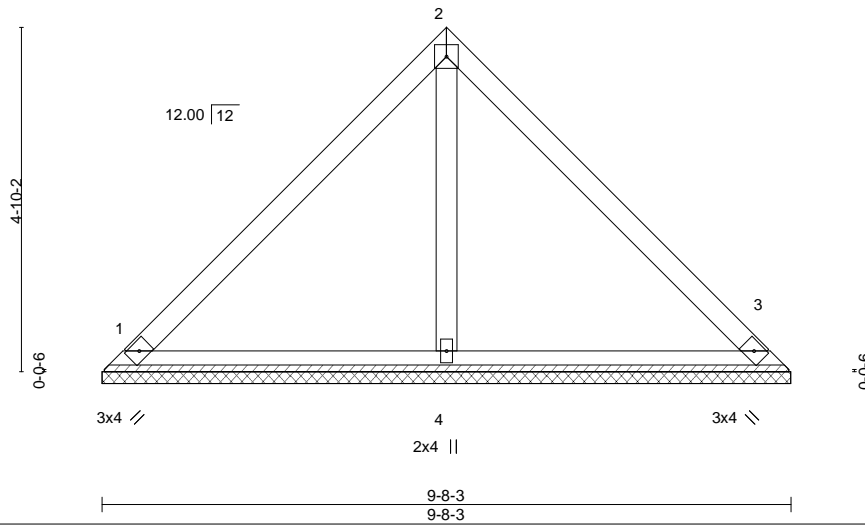
Comtech, Inc. Fayetteville, NC - 28314,

8.430 s Aug 16 2021 MiTek Industries, Inc. Thu May 12 08:15:00 2022 Page 1
ID:G?Mgu2wAOefhMizVCCS4xvzzRIE-LgzlVPgVnvn1bw0IOXit07TS477XwKON_XAfNYzHlGf



4x4 =

Scale = 1:32.4



LOADING (psf)	SPACING-	CSI.	DEFL.	in	(loc)	l/defl	L/d	PLATES	GRIP
TCLL 20.0	Plate Grip DOL 1.15	TC 0.22	Vert(LL)	n/a	-	n/a	999	MT20	244/190
TCDL 10.0	Lumber DOL 1.15	BC 0.15	Vert(CT)	n/a	-	n/a	999		
BCLL 0.0 *	Rep Stress Incr YES	WB 0.06	Horz(CT)	0.00	3	n/a	n/a		
BCDL 10.0	Code IRC2015/TPI2014	Matrix-S						Weight: 39 lb	FT = 20%

LUMBER-

TOP CHORD 2x4 SP No.1
BOT CHORD 2x4 SP No.1
OTHERS 2x4 SP No.2

BRACING-

TOP CHORD Structural wood sheathing directly applied or 6-0-0 oc purlins.
BOT CHORD Rigid ceiling directly applied or 10-0-0 oc bracing.

REACTIONS.

(size) 1=9-8-3, 3=9-8-3, 4=9-8-3
Max Horz 1=-108(LC 8)
Max Uplift 1=-27(LC 13), 3=-27(LC 13)
Max Grav 1=204(LC 1), 3=204(LC 1), 4=311(LC 1)

FORCES. (lb) - Max. Comp./Max. Ten. - All forces 250 (lb) or less except when shown.

NOTES-

- Unbalanced roof live loads have been considered for this design.
- Wind: ASCE 7-10; Vult=130mph Vasd=103mph; TCDL=6.0psf; BCDL=6.0psf; h=15ft; Cat. II; Exp C; Enclosed; MWFRS (envelope) and C-C Exterior(2) zone;C-C for members and forces & MWFRS for reactions shown; Lumber DOL=1.60 plate grip DOL=1.60
- Gable requires continuous bottom chord bearing.
- This truss has been designed for a 10.0 psf bottom chord live load nonconcurrent with any other live loads.
- * This truss has been designed for a live load of 30.0psf on the bottom chord in all areas where a rectangle 3-6-0 tall by 2-0-0 wide will fit between the bottom chord and any other members.
- Provide mechanical connection (by others) of truss to bearing plate capable of withstanding 100 lb uplift at joint(s) 1, 3.



May 12, 2022

WARNING - Verify design parameters and READ NOTES ON THIS AND INCLUDED MITEK REFERENCE PAGE MII-7473 rev. 5/19/2020 BEFORE USE.

Design valid for use only with MiTek® connectors. This design is based only upon parameters shown, and is for an individual building component, not a truss system. Before use, the building designer must verify the applicability of design parameters and properly incorporate this design into the overall building design. Bracing indicated is to prevent buckling of individual truss web and/or chord members only. Additional temporary and permanent bracing is always required for stability and to prevent collapse with possible personal injury and property damage. For general guidance regarding the fabrication, storage, delivery, erection and bracing of trusses and truss systems, see

Safety Information available from Truss Plate Institute, 2670 Crain Highway, Suite 203 Waldorf, MD 20601 **ANSI/TPI1 Quality Criteria, DSB-89 and BCSI Building Component**

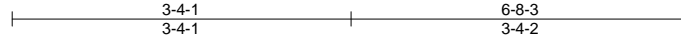


818 Soundside Road
Edenton, NC 27932

Job	Truss	Truss Type	Qty	Ply	Lot 6 Mitchell Manor	151907512
J0522-2435	V3	VALLEY	1	1		

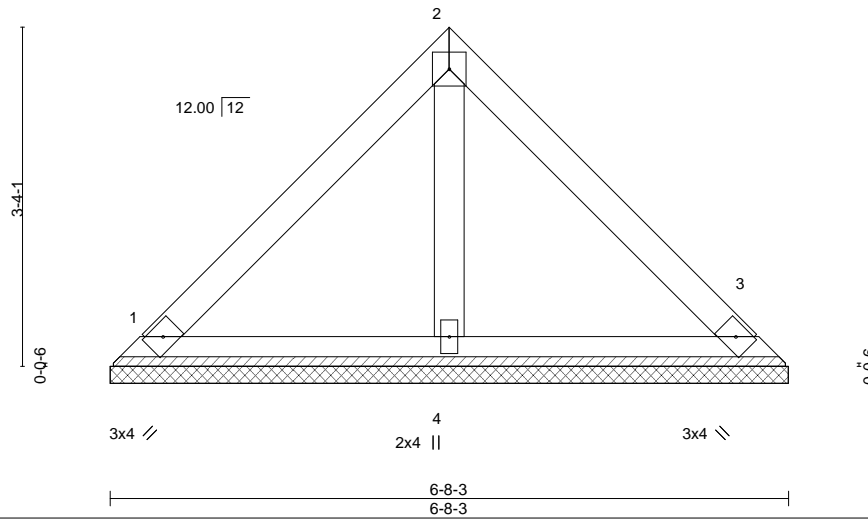
Comtech, Inc. Fayetteville, NC - 28314,

8.430 s Aug 16 2021 MiTek Industries, Inc. Thu May 12 08:15:01 2022 Page 1
 ID:G?Mgu2wAOefhMlzVCCS4xvzzRiE-ptX7Jh7YDvtD3bVaFG6ZL0exWU4fvWCBwCv_zHlge



4x4 =

Scale = 1:22.7



LOADING (psf)	SPACING-	2-0-0	CSI.	DEFL.	in	(loc)	l/defl	L/d	PLATES	GRIP
TCLL 20.0	Plate Grip DOL	1.15	TC 0.15	Vert(LL)	n/a	-	n/a	999	MT20	244/190
TCDL 10.0	Lumber DOL	1.15	BC 0.07	Vert(CT)	n/a	-	n/a	999		
BCLL 0.0 *	Rep Stress Incr	YES	WB 0.02	Horz(CT)	0.00	3	n/a	n/a		
BCDL 10.0	Code IRC2015/TPI2014		Matrix-P						Weight: 26 lb	FT = 20%

LUMBER-

TOP CHORD 2x4 SP No.1
 BOT CHORD 2x4 SP No.1
 OTHERS 2x4 SP No.2

BRACING-

TOP CHORD Structural wood sheathing directly applied or 6-0-0 oc purlins.
 BOT CHORD Rigid ceiling directly applied or 10-0-0 oc bracing.

REACTIONS.

(size) 1=6-8-3, 3=6-8-3, 4=6-8-3
 Max Horz 1=-72(LC 8)
 Max Uplift 1=-26(LC 13), 3=-26(LC 13)
 Max Grav 1=146(LC 1), 3=146(LC 1), 4=187(LC 1)

FORCES. (lb) - Max. Comp./Max. Ten. - All forces 250 (lb) or less except when shown.

NOTES-

- Unbalanced roof live loads have been considered for this design.
- Wind: ASCE 7-10; Vult=130mph Vasd=103mph; TCDL=6.0psf; BCDL=6.0psf; h=15ft; Cat. II; Exp C; Enclosed; MWFRS (envelope) and C-C Exterior(2) zone;C-C for members and forces & MWFRS for reactions shown; Lumber DOL=1.60 plate grip DOL=1.60
- Gable requires continuous bottom chord bearing.
- This truss has been designed for a 10.0 psf bottom chord live load nonconcurrent with any other live loads.
- * This truss has been designed for a live load of 30.0psf on the bottom chord in all areas where a rectangle 3-6-0 tall by 2-0-0 wide will fit between the bottom chord and any other members.
- Provide mechanical connection (by others) of truss to bearing plate capable of withstanding 100 lb uplift at joint(s) 1, 3.



May 12, 2022

WARNING - Verify design parameters and READ NOTES ON THIS AND INCLUDED MITEK REFERENCE PAGE MII-7473 rev. 5/19/2020 BEFORE USE.

Design valid for use only with MiTek® connectors. This design is based only upon parameters shown, and is for an individual building component, not a truss system. Before use, the building designer must verify the applicability of design parameters and properly incorporate this design into the overall building design. Bracing indicated is to prevent buckling of individual truss web and/or chord members only. Additional temporary and permanent bracing is always required for stability and to prevent collapse with possible personal injury and property damage. For general guidance regarding the fabrication, storage, delivery, erection and bracing of trusses and truss systems, see

Safety Information available from Truss Plate Institute, 2670 Crain Highway, Suite 203 Waldorf, MD 20601 **ANSI/TPI1 Quality Criteria, DSB-89 and BCSI Building Component**



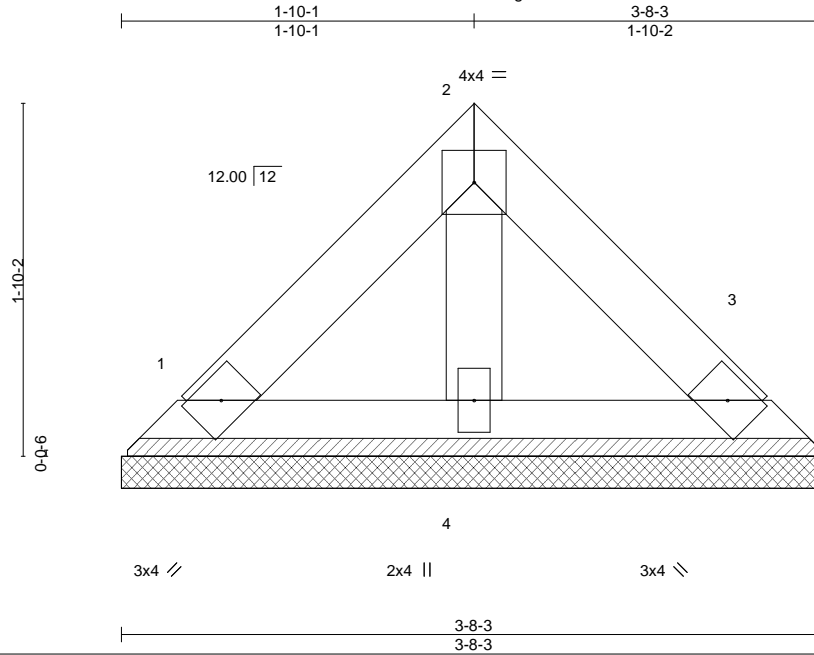
818 Soundside Road
 Edenton, NC 27932

Job	Truss	Truss Type	Qty	Ply	Lot 6 Mitchell Manor	I51907513
J0522-2435	V4	VALLEY	1	1	Job Reference (optional)	

Comtech, Inc. Fayetteville, NC - 28314,

8.430 s Aug 16 2021 MiTek Industries, Inc. Thu May 12 08:15:02 2022 Page 1

ID:G?Mgu2wAOefhMizVCCS4xvzzRIE-H35Vw5ilJW1kqDAh8ynL5YZrUwq5OEMgRrfmRQzHlGd



Scale: 1"=1'

LOADING (psf)	SPACING-	CSI.	DEFL.	in	(loc)	l/defl	L/d	PLATES	GRIP
TCLL 20.0	Plate Grip DOL 1.15	TC 0.03	Vert(LL) n/a	-	n/a	999		MT20	244/190
TCDL 10.0	Lumber DOL 1.15	BC 0.02	Vert(CT) n/a	-	n/a	999			
BCLL 0.0 *	Rep Stress Incr YES	WB 0.01	Horz(CT) 0.00	3	n/a	n/a			
BCDL 10.0	Code IRC2015/TPI2014	Matrix-P						Weight: 13 lb	FT = 20%

LUMBER-

TOP CHORD 2x4 SP No.1
 BOT CHORD 2x4 SP No.1
 OTHERS 2x4 SP No.2

BRACING-

TOP CHORD Structural wood sheathing directly applied or 3-8-3 oc purlins.
 BOT CHORD Rigid ceiling directly applied or 10-0-0 oc bracing.

REACTIONS.

(size) 1=3-8-3, 3=3-8-3, 4=3-8-3
 Max Horz 1=-36(LC 8)
 Max Uplift 1=-13(LC 13), 3=-13(LC 13)
 Max Grav 1=72(LC 1), 3=73(LC 1), 4=93(LC 1)

FORCES. (lb) - Max. Comp./Max. Ten. - All forces 250 (lb) or less except when shown.

NOTES-

- Unbalanced roof live loads have been considered for this design.
- Wind: ASCE 7-10; Vult=130mph Vasd=103mph; TCDL=6.0psf; BCDL=6.0psf; h=15ft; Cat. II; Exp C; Enclosed; MWFRS (envelope) and C-C Exterior(2) zone;C-C for members and forces & MWFRS for reactions shown; Lumber DOL=1.60 plate grip DOL=1.60
- Gable requires continuous bottom chord bearing.
- This truss has been designed for a 10.0 psf bottom chord live load nonconcurrent with any other live loads.
- * This truss has been designed for a live load of 30.0psf on the bottom chord in all areas where a rectangle 3-6-0 tall by 2-0-0 wide will fit between the bottom chord and any other members.
- Provide mechanical connection (by others) of truss to bearing plate capable of withstanding 100 lb uplift at joint(s) 1, 3.



May 12, 2022

WARNING - Verify design parameters and READ NOTES ON THIS AND INCLUDED MITEK REFERENCE PAGE MII-7473 rev. 5/19/2020 BEFORE USE.

Design valid for use only with MiTek® connectors. This design is based only upon parameters shown, and is for an individual building component, not a truss system. Before use, the building designer must verify the applicability of design parameters and properly incorporate this design into the overall building design. Bracing indicated is to prevent buckling of individual truss web and/or chord members only. Additional temporary and permanent bracing is always required for stability and to prevent collapse with possible personal injury and property damage. For general guidance regarding the fabrication, storage, delivery, erection and bracing of trusses and truss systems, see

ANSI/TPI1 Quality Criteria, DSB-89 and BCSI Building Component

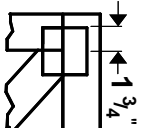
Safety Information available from Truss Plate Institute, 2670 Crain Highway, Suite 203 Waldorf, MD 20601



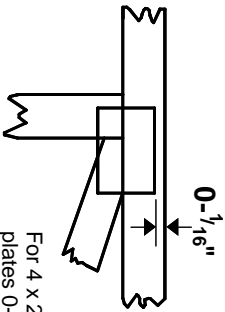
818 Soundside Road
 Edenton, NC 27932

Symbols

PLATE LOCATION AND ORIENTATION



Center plate on joint unless x, y offsets are indicated. Dimensions are in ft-in-sixteenths. Apply plates to both sides of truss and fully embed teeth.



For 4 x 2 orientation, locate plates 0-¹/₁₆" from outside edge of truss.



This symbol indicates the required direction of slots in connector plates.

* Plate location details available in **MITtek 2020 software** or upon request.

PLATE SIZE

4 X 4

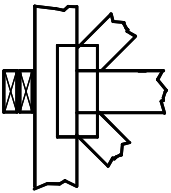
The first dimension is the plate width measured perpendicular to slots. Second dimension is the length parallel to slots.

LATERAL BRACING LOCATION



Indicated by symbol shown and/or by text in the bracing section of the output. Use T or I bracing if indicated.

BEARING



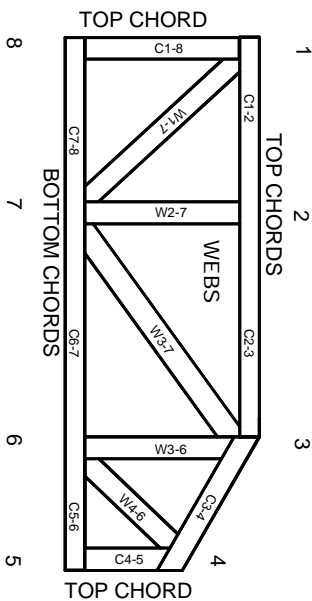
Indicates location where bearings (supports) occur. Icons vary but reaction section indicates joint number where bearings occur. Min size shown is for crushing only.

Industry Standards:

ANSI/TP1: National Design Specification for Metal Plate Connected Wood Truss Construction.
DSB-89: Design Standard for Bracing, Building Component Safety Information, Guide to Good Practice for Handling, Installing & Bracing of Metal Plate Connected Wood Trusses.

Numbering System

6-4-8
dimensions shown in ft-in-sixteenths
(Drawings not to scale)



JOINTS ARE GENERALLY NUMBERED/LETTERED CLOCKWISE AROUND THE TRUSS STARTING AT THE JOINT FARTHEST TO THE LEFT.

CHORDS AND WEBS ARE IDENTIFIED BY END JOINT NUMBERS/LETTERS.

PRODUCT CODE APPROVALS

ICC-ES Reports:

ESR-1311, ESR-1352, ESR 1988
ER-3907, ESR-2362, ESR-1397, ESR-3282

Trusses are designed for wind loads in the plane of the truss unless otherwise shown.

Lumber design values are in accordance with ANSI/TP1 section 6.3 These truss designs rely on lumber values established by others.

© 2012 MITtek® All Rights Reserved



MITtek Engineering Reference Sheet: Mill-7473 rev. 5/19/2020



General Safety Notes

Failure to Follow Could Cause Property Damage or Personal Injury

1. Additional stability bracing for truss system, e.g. diagonal or X-bracing, is always required. See BCSI.
2. Truss bracing must be designed by an engineer. For wide truss spacing, individual lateral braces themselves may require bracing, or alternative Tor I bracing should be considered.
3. Never exceed the design loading shown and never stack materials on inadequately braced trusses.
4. Provide copies of this truss design to the building designer, erection supervisor, property owner and all other interested parties.
5. Cut members to bear tightly against each other.
6. Place plates on each face of truss at each joint and embed fully. Knots and wane at joint locations are regulated by ANSI/TP1 1.
7. Design assumes trusses will be suitably protected from the environment in accord with ANSI/TP1 1.
8. Unless otherwise noted, moisture content of lumber shall not exceed 19% at time of fabrication.
9. Unless expressly noted, this design is not applicable for use with fire retardant, preservative treated, or green lumber.
10. Camber is a non-structural consideration and is the responsibility of truss fabricator. General practice is to camber for dead load deflection.
11. Plate type, size, orientation and location dimensions indicated are minimum plating requirements.
12. Lumber used shall be of the species and size, and in all respects, equal to or better than that specified.
13. Top chords must be sheathed or purlins provided at spacing indicated on design.
14. Bottom chords require lateral bracing at 10 ft. spacing, or less, if no ceiling is installed, unless otherwise noted.
15. Connections not shown are the responsibility of others.
16. Do not cut or alter truss member or plate without prior approval of an engineer.
17. Install and load vertically unless indicated otherwise.
18. Use of green or treated lumber may pose unacceptable environmental, health or performance risks. Consult with project engineer before use.
19. Review all portions of this design (front, back, words and pictures) before use. Reviewing pictures alone is not sufficient.
20. Design assumes manufacture in accordance with ANSI/TP1 1 Quality Criteria.
21. The design does not take into account any dynamic or other loads other than those expressly stated.