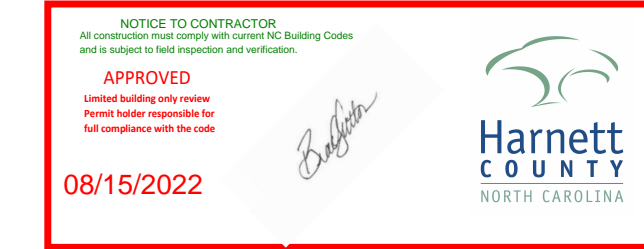


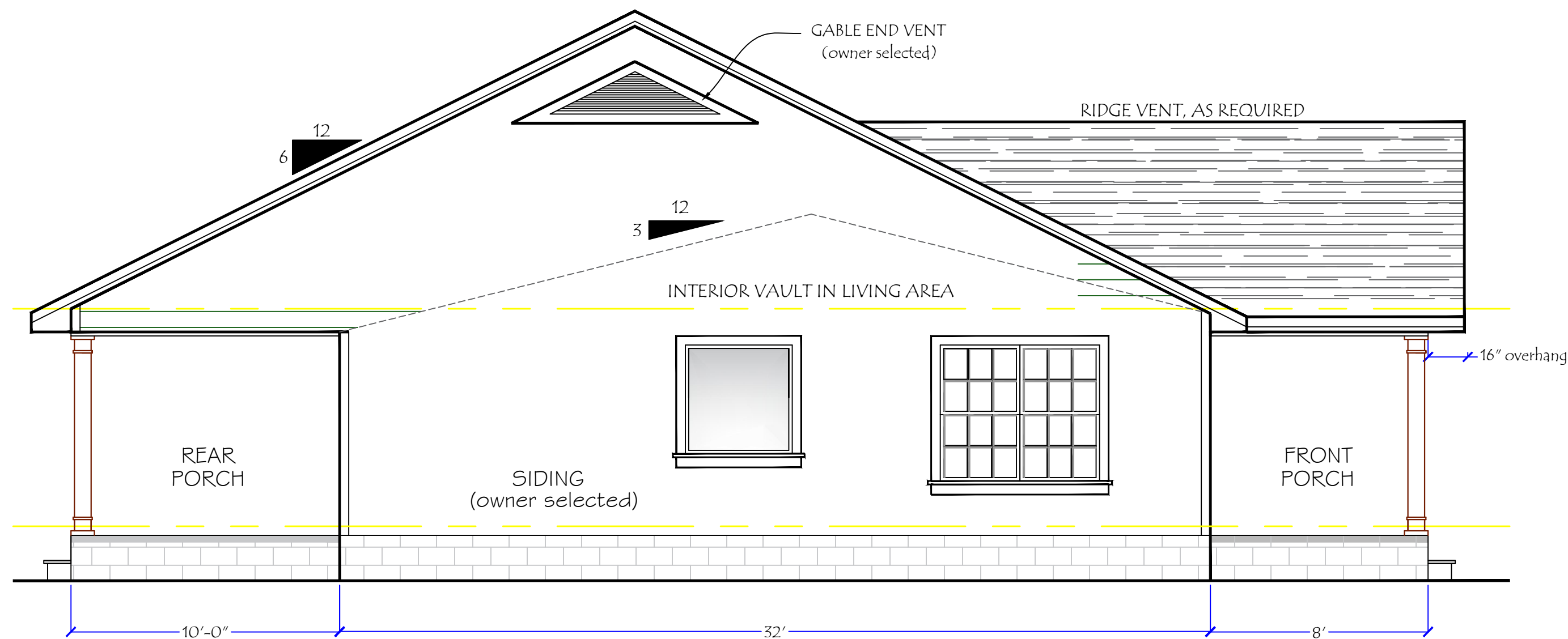
FRONT ELEVATION

SCALE: 1/4" = 1'-0"



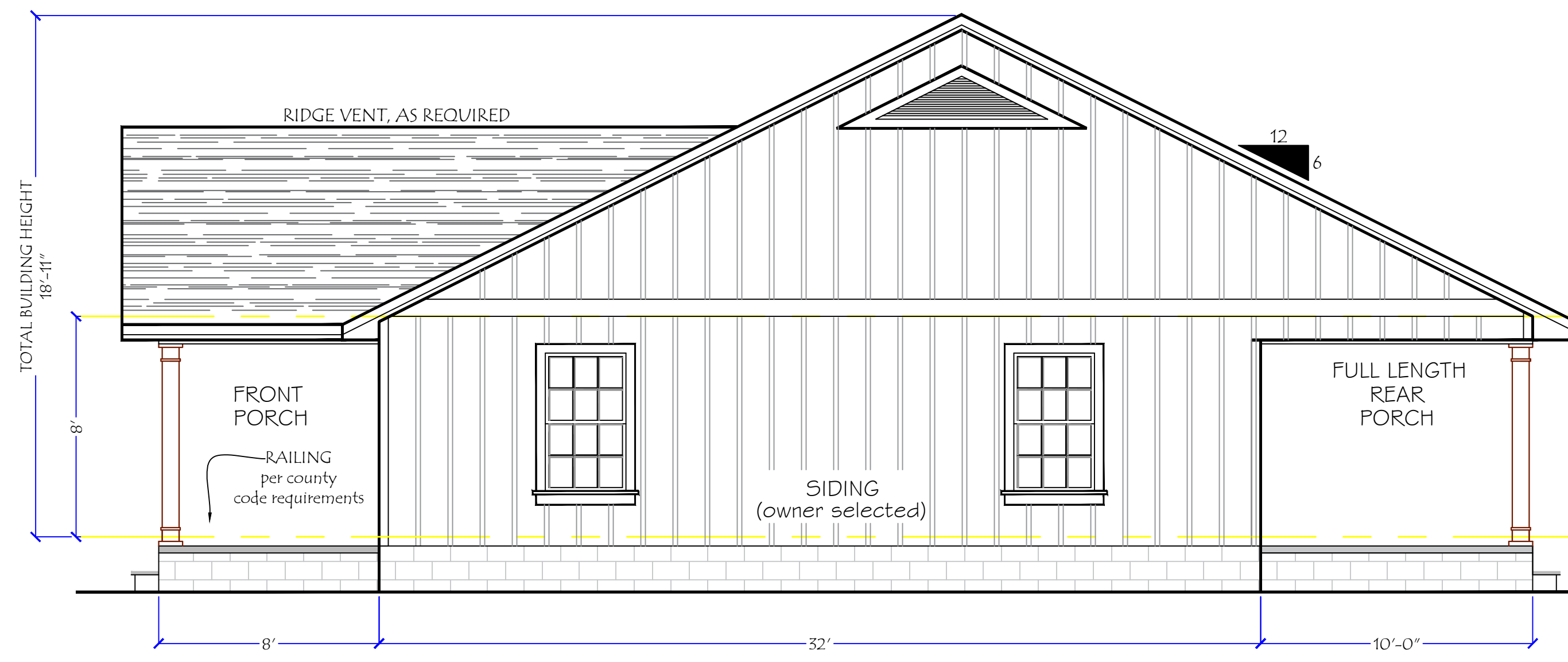
TRUSS NOTE:
ALL ENGINEERED TRUSSES SHALL BE MANUFACTURED PER THE BUILDING CODE AND THE NATIONAL TRUSS DESIGN INSTITUTE

- NOTES**
1. ACTUAL SLOPE AND/OR VARIATIONS IN GRADE CONDITIONS TO BE DETERMINED ON SITE PRIOR TO CONSTRUCTION.
 2. CHECK ALL DIMENSIONS FOR ACCURACY PRIOR TO CONSTRUCTION.
 3. ALL FLASHING SHALL ADHERE TO BUILDING CODE.
 4. ALL CONSTRUCTION MUST CONFORM TO CURRENT STATE AND LOCAL CODES WHERE APPLICABLE.



LEFT SIDE ELEVATION

SCALE: 1/4" = 1'-0"

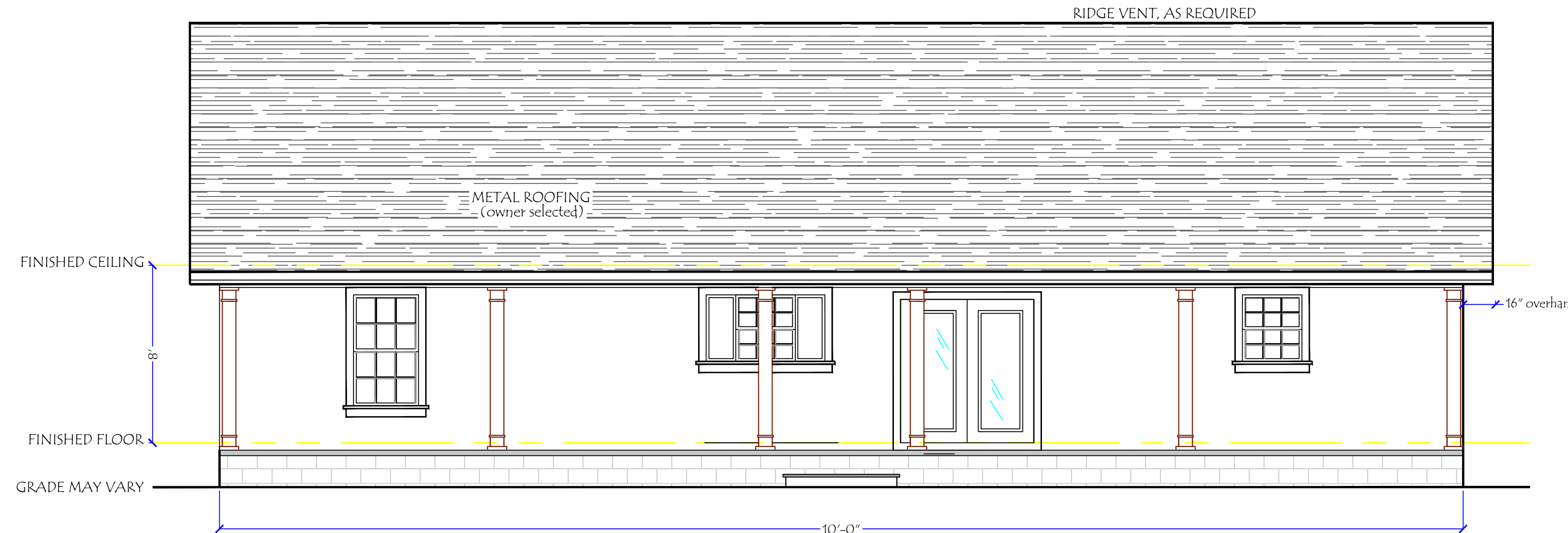


RIGHT SIDE ELEVATION

SCALE: 1/4" = 1'-0"

REAR ELEVATION

SCALE: 1/4" = 1'-0"



DRAFTING & DESIGN



CERTIFICATION

PROJECT NAME

TITLE

ELEVATIONS

DWG. BY

CHK. BY

SCALE: 1/4" = 1'-0"

DATE

PROJECT No.

PAGE No.

PG - 1

NOTES

1. ACTUAL SLOPE AND/OR VARIATIONS IN GRADE CONDITIONS TO BE DETERMINED ON SITE PRIOR TO CONSTRUCTION.
2. CHECK ALL DIMENSIONS FOR ACCURACY PRIOR TO CONSTRUCTION.
3. ALL CONSTRUCTION MUST CONFORM TO CURRENT STATE AND LOCAL CODES WHERE APPLICABLE.
4. EXACT DESCRIPTION OR SPECIFICATIONS NOT PROVIDED ON PLANS (DOORS, WINDOWS, CABINETS, ELECTRICAL, HVAC, FINISHES ETC. TO BE PROVIDED BY CONTRACTOR OR OWNER.)
5. ALL ELECTRICAL, PLUMBING, AND HVAC TO BE INSTALLED BY CURRENTLY LICENSED CONTRACTORS IN ACCORDANCE W/ STATE & LOCAL CODES.

DRAFTING & DESIGN



CERTIFICATION

PROJECT NAME

TITLE

FLOOR PLAN

DWG. BY

CHK. BY

SCALE

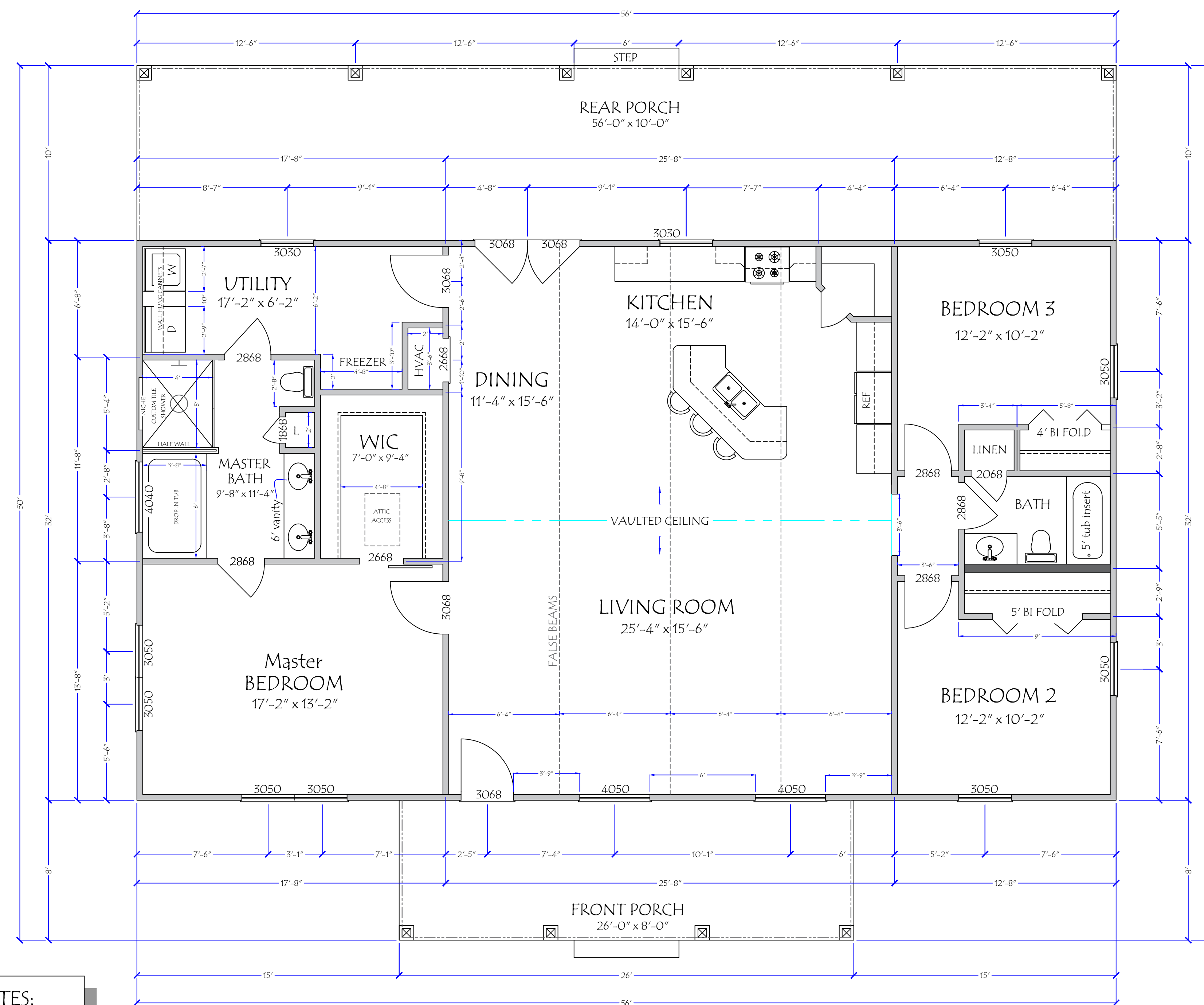
Scale: 1/4"=1'-0"

DATE

PROJECT No.

PAGE No.

PG - 2



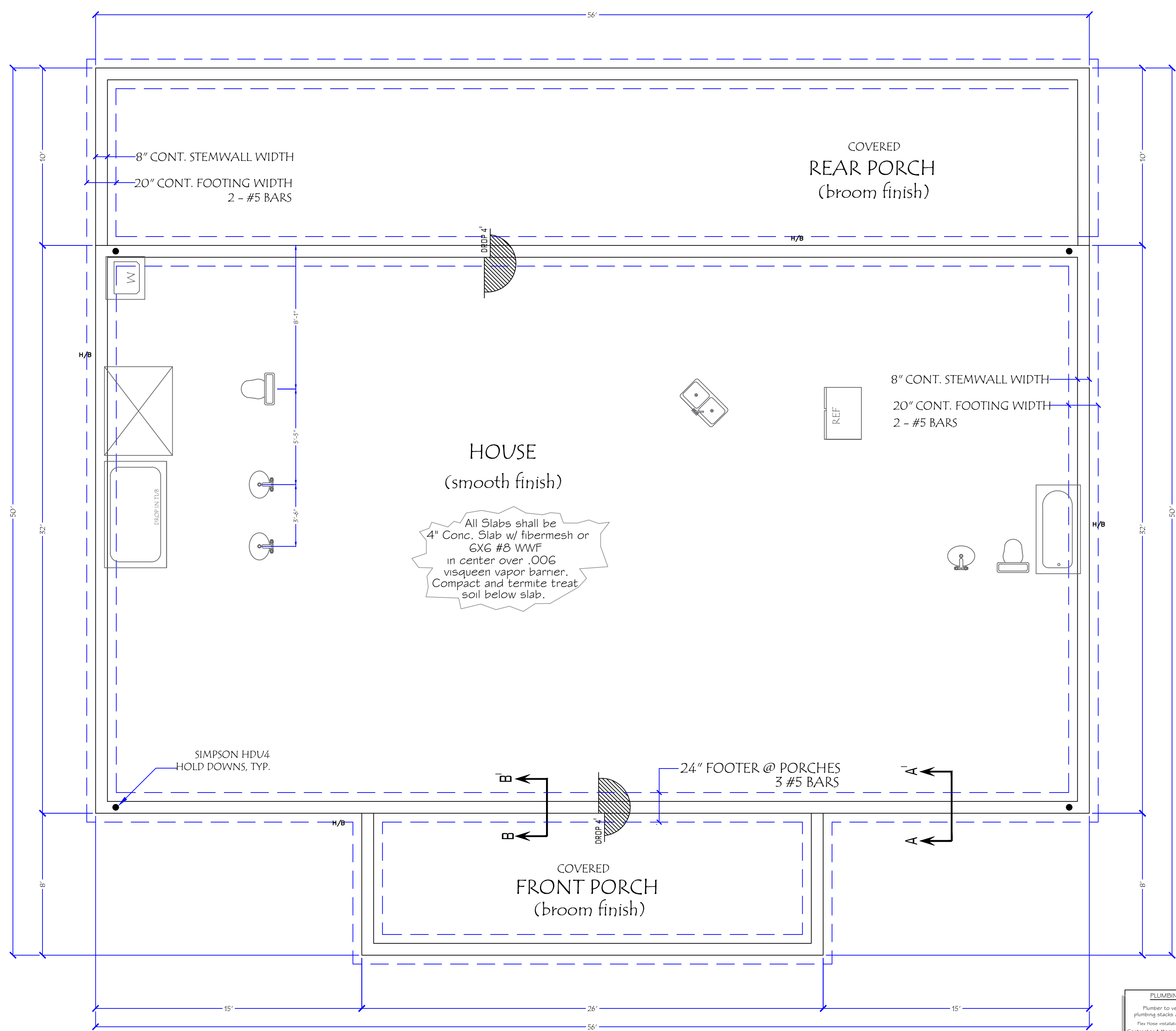
2x4 INTERIOR WALL
2x6 EXTERIOR/PLUMBING WALL

| SQUARE FOOTAGE | |
|-----------------|--------------|
| HTD SQUARE FEET | 1792 |
| FRONT PORCH | 208 |
| REAR PORCH | 560 |
| TOTAL | 2,560 |

WINDOW / DOOR NOTES:
ALL WINDOW & DOOR HEADERS TO BE SIZED AND INSTALLED IN ACCORDANCE W/ STATE AND LOCAL CODES

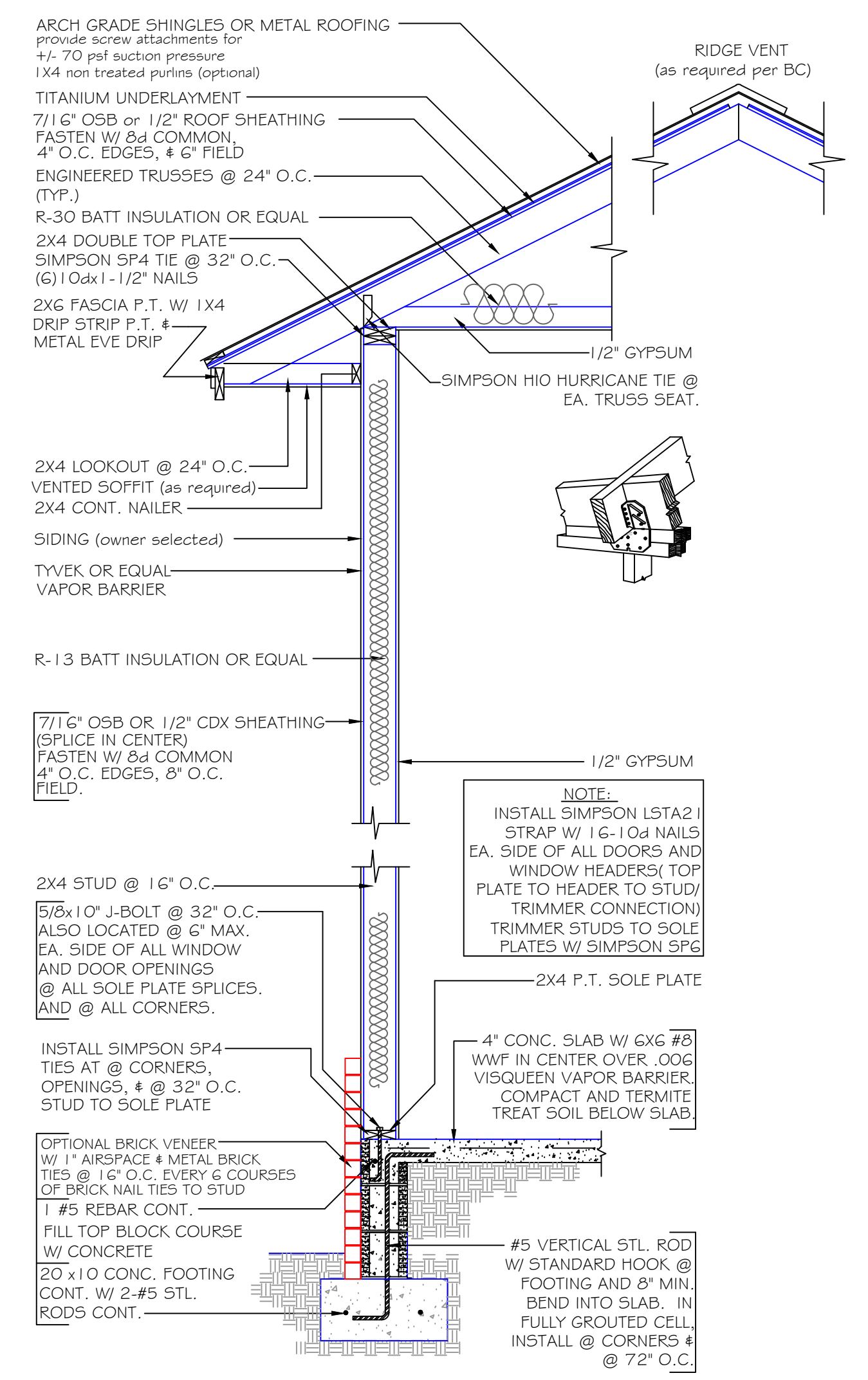
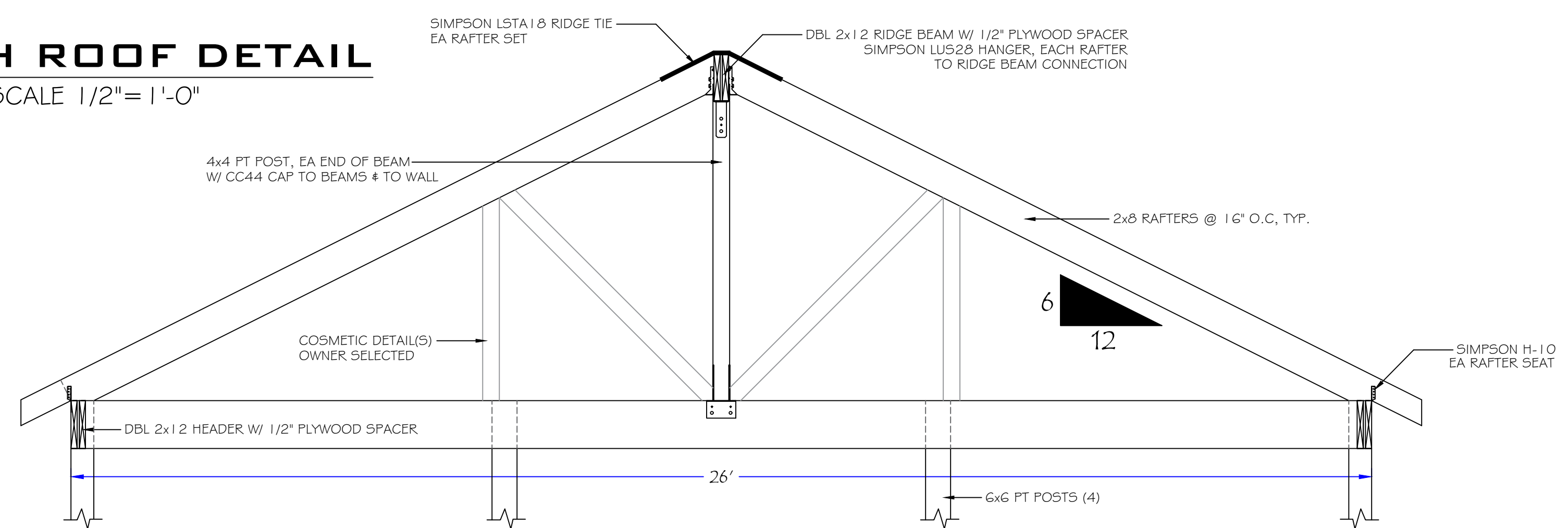
PORCH NOTES:
6X6 PT POST, SIMPSON BC6Z CAP, ABU66Z BASE, TYP. DBL 2X12 HEADER W/ 1/2" PLYWOOD SPACER, TYPICAL SIMPSON HUS410 FACE MOUNT HANGERS EACH HEADER/WALL CONNECTION, TYP.

FLOOR PLAN
SCALE 1/4" = 1'-0"



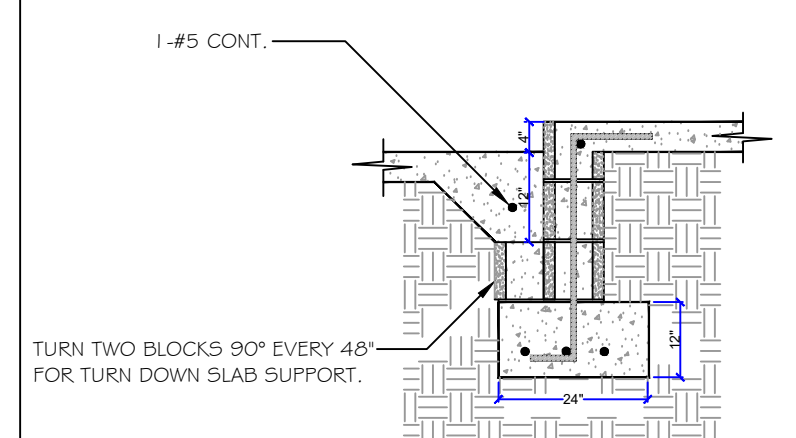
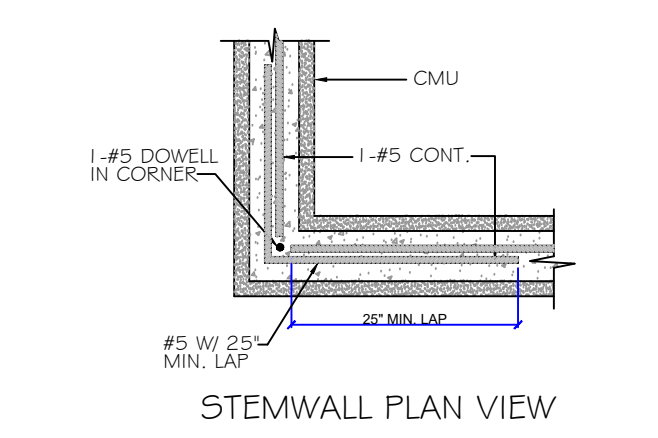
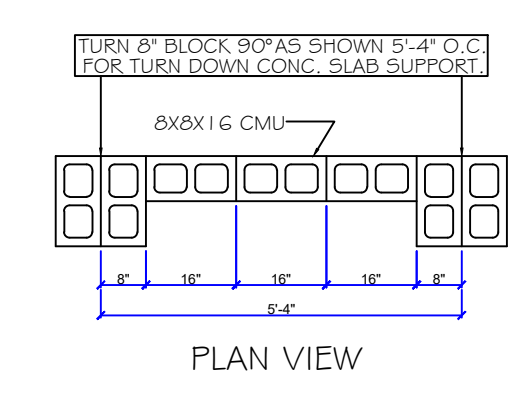
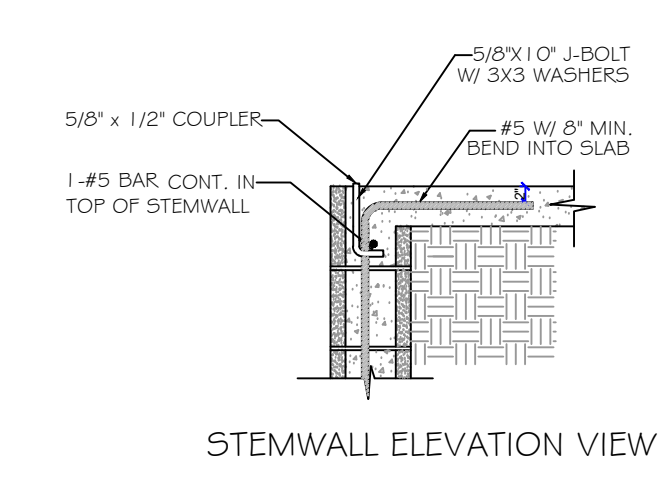
PORCH ROOF DETAIL

SCALE 1/2" = 1'-0"



WALL SECTION

SCALE 1/2" = 1'-0"



CONTINUITY REINFORCEMENT AT CORNERS

NOT TO SCALE

TURN-DOWN SLAB SUPPORT @ PORCHES

NOT TO SCALE

NOTES

1. ALL CONSTRUCTION SHALL CONFORM TO THE BUILDING CODE.
2. IN THE EVENT OF A CONFLICT BETWEEN THE PLANS AND THE CODES, THE CODES SHALL GOVERN.
3. CONCRETE: 3000 PSI STEEL GRADE 40
4. ALL FILL SHALL BE COMPACTED TO 95% OF MAXIMUM DRY DENSITY AS DETERMINED BY A MODIFIED PROCTOR.
5. ALL REBAR SPLICES SHALL BE 24" MINIMUM.
6. SOIL SHALL BE CHEMICALLY TREATED FOR TERMITES PER B.C.
7. THE CONTRACTOR SHALL VERIFY DIMENSIONS AT THE SITE PRIOR TO BEGINNING CONSTRUCTION.
8. ALL REINFORCEMENT SHALL BE LOCATED A MIN. 3" FROM CONCRETE SURFACE.
9. ANY ORGANIC MATERIAL UNDER FOUNDATION SHALL BE REMOVED PRIOR TO CONSTRUCTION, UNLESS OTHERWISE SPECIFIED.
10. FOR STEM WALLS 6" OR HIGHER, FORM WORK SHALL BE BRACED BEFORE BACKFILLING.
11. CONCRETE BLOCKS SHALL HAVE A MINIMUM COMPRESSIVE STRENGTH OF 1900 PSI.
12. FOUNDATION DESIGN UNLESS NOTED IS BASED UPON A MIN. BEARING CAPACITY OF 1500 PSF.
13. OWNER SHALL CHECK WITH LOCAL BUILDING DEPARTMENT FOR APPLICABLE LOCATION AND SUITABILITY.

DRAFTING & DESIGN



CERTIFICATION

PROJECT NAME

TITLE

FOUNDATION PLAN & STRUCTURAL DETAILS

DWG. BY

CHK. BY

SCALE VARIES

DATE

PROJECT No.

PAGE No.

PG - 4

56-00-00



NC 1-919-787-8787 / 1-800-473-8787
Fax 1-919-783-0817

VA 1-757-833-8300 / 1-800-868-8787
Fax 1-757-833-5400

**THIS IS A TRUSS PLACEMENT
DIAGRAM ONLY.**

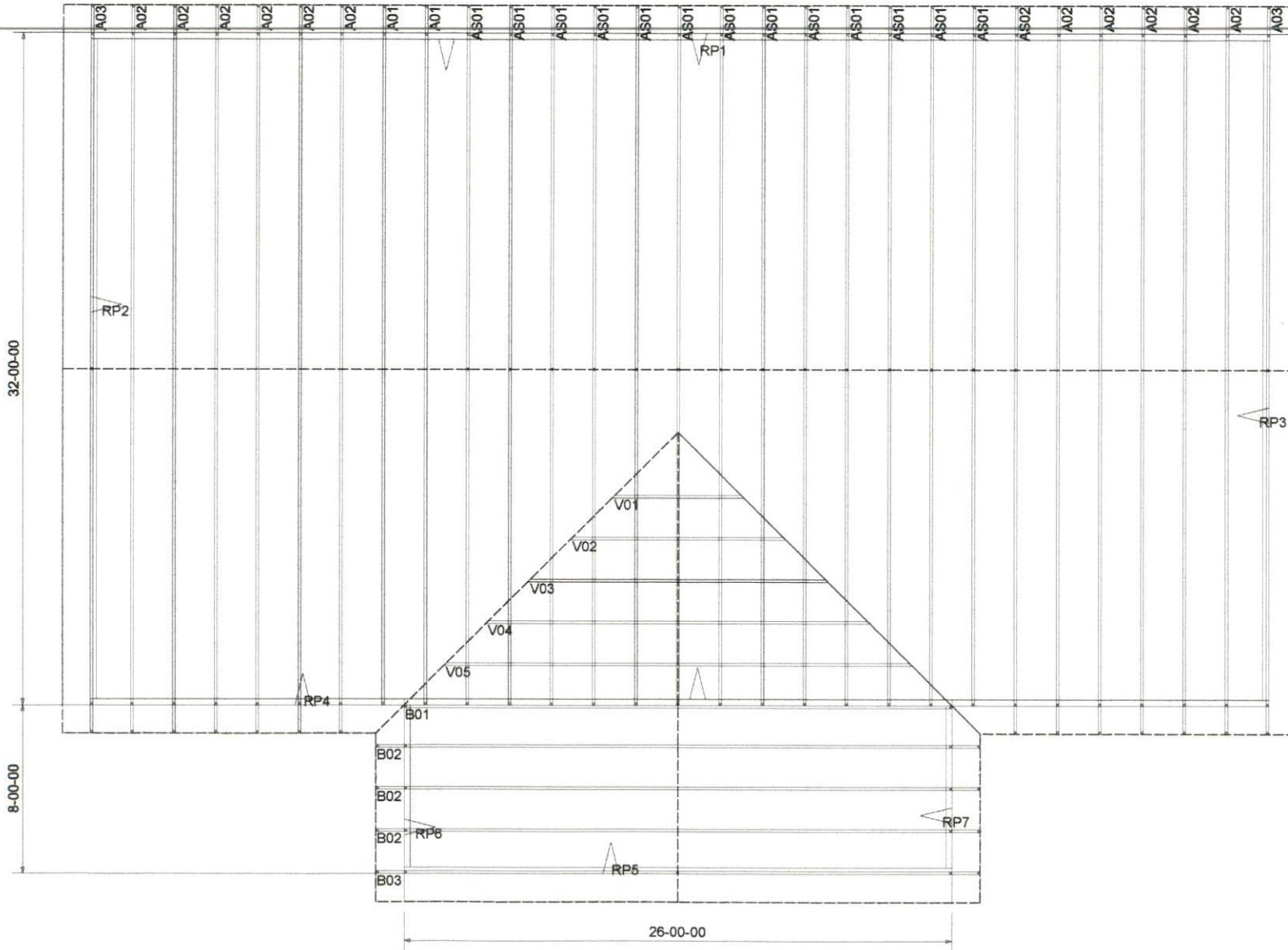
These trusses are designed as individual building components to be incorporated into the building design at the specification of the building designer. See individual design sheets for each truss design identified on the placement drawing. The building designer is responsible for temporary and permanent bracing of the roof and floor system and for the overall structure. This design of the entire truss support structure including, but not limited to headers, beams, walls, and columns is the responsibility of the building designer. For general guidance regarding bracing, consult "Bracing of wood trusses" available from the Truss Plate Institute, 583 D'Orazio Drive, Madison, WI 53179

**TRUSS TO BEARING DESIGN
RESPONSIBILITY.**

Truss to bearing connections if shown on this layout are suggested by Truswood based solely on the uplift reactions and considerations for the truss component. All truss to bearing connections must be specified or approved by the Building Designer to adequately transfer all loads to the building system and foundation. Consult hardware manufacturer's specifications for all installation requirements.

GENERAL NOTES:

- 1) REFER TO INDIVIDUAL TRUSS DRAWINGS FOR ADDITIONAL INFO
- 2) DIMENSIONS SHOWN ARE FROM FACE OF STUD OF BEARING WALL U.R.O.
- 3) DIMENSIONAL VERIFICATION IS THE RESPONSIBILITY OF THE SITE CONTRACTOR AND/OR ARCHITECT
- 4) ALL INTERIOR HEADERS TO BE DROPPED EXCEPT AS NOTED.
- 5) ALL TRUSSES MUST BE SPACED AT A MAXIMUM OF 24" OC UNLESS OTHERWISE NOTED.
- 6) DO NOT CUT, DRILL, OR ALTER ANY TRUSS WITHOUT THE WRITTEN CONSENT FROM A REGISTERED ENGINEER.



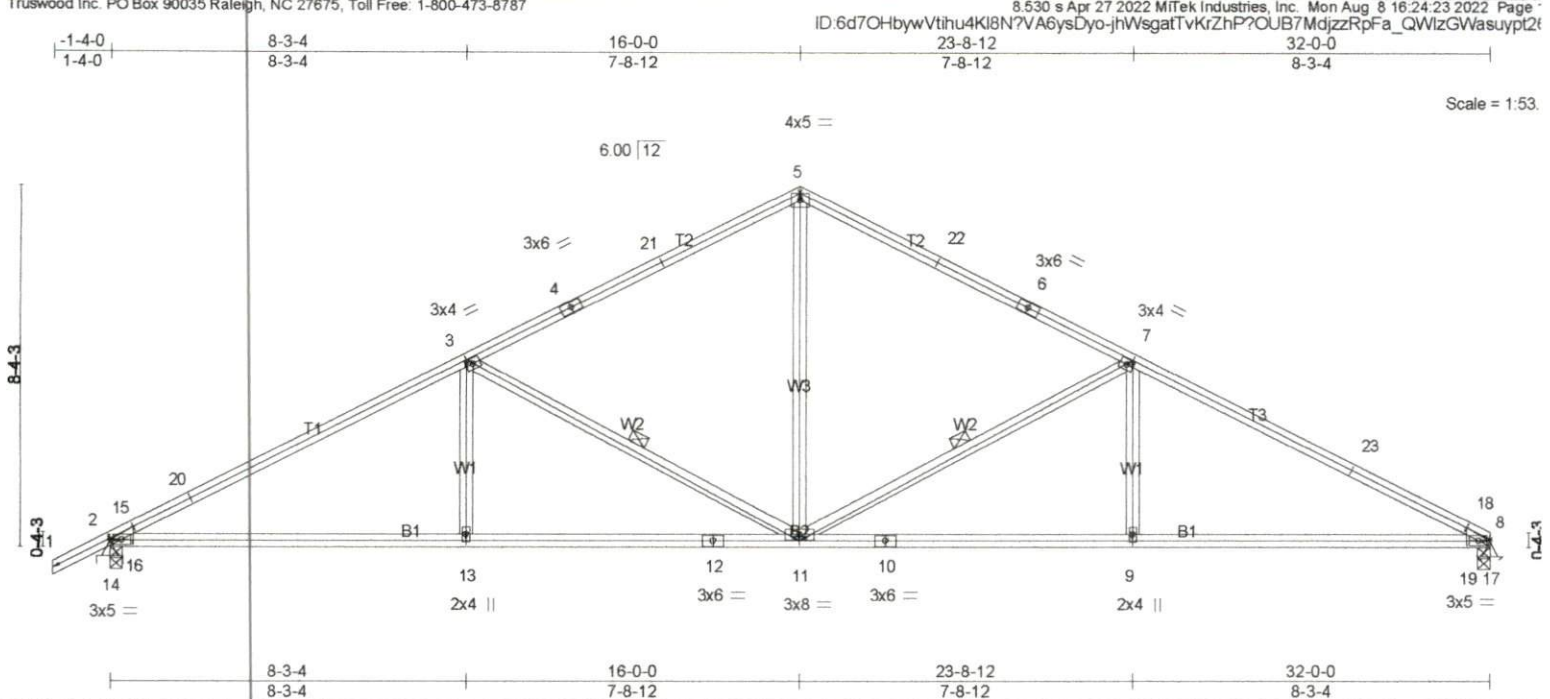
| | | |
|-------|-------|-------|
| DATE: | DATE: | DATE: |
| BY: | BY: | BY: |

CUSTOMER NAME: **Tim Cook**
 PROJECT: **Lillington House**
 DATE: **8/4/2022**
 SCALE: **SCALE**
 REVISION: _____
 REVISION: _____
 REVISION: _____

FILENAME: _____
 LOT: _____

DESIGNED BY: _____
 CHECKED BY: _____

JOB NUMBER: _____



| LOADING (psf) | SPACING- | 2-0-0 | CSI. | DEFL. | in (loc) | l/defl | L/d | PLATES | GRIP |
|---------------|----------------------|-------|------------|----------|----------|--------|------|----------------|----------|
| TCLL 20.0 | Plate Grip DOL | 1.15 | TC 0.89 | Vert(LL) | 0.41 | 3-5 | >947 | MT20 | 244/190 |
| TCDL 10.0 | Lumber DOL | 1.15 | BC 0.95 | Vert(CT) | -0.43 | 7-18 | >896 | | |
| BCLL 0.0 * | Rep Stress Incr | YES | WB 0.37 | Horz(CT) | 0.10 | 8 | n/a | | |
| BCDL 10.0 | Code IRC2018/TPI2014 | | Matrix-MSH | | | | | | |
| | | | | | | | | Weight: 152 lb | FT = 20% |

LUMBER-
 TOP CHORD 2x4 SP No.2
 BOT CHORD 2x4 SP No.2
 WEBS 2x4 SP No.3

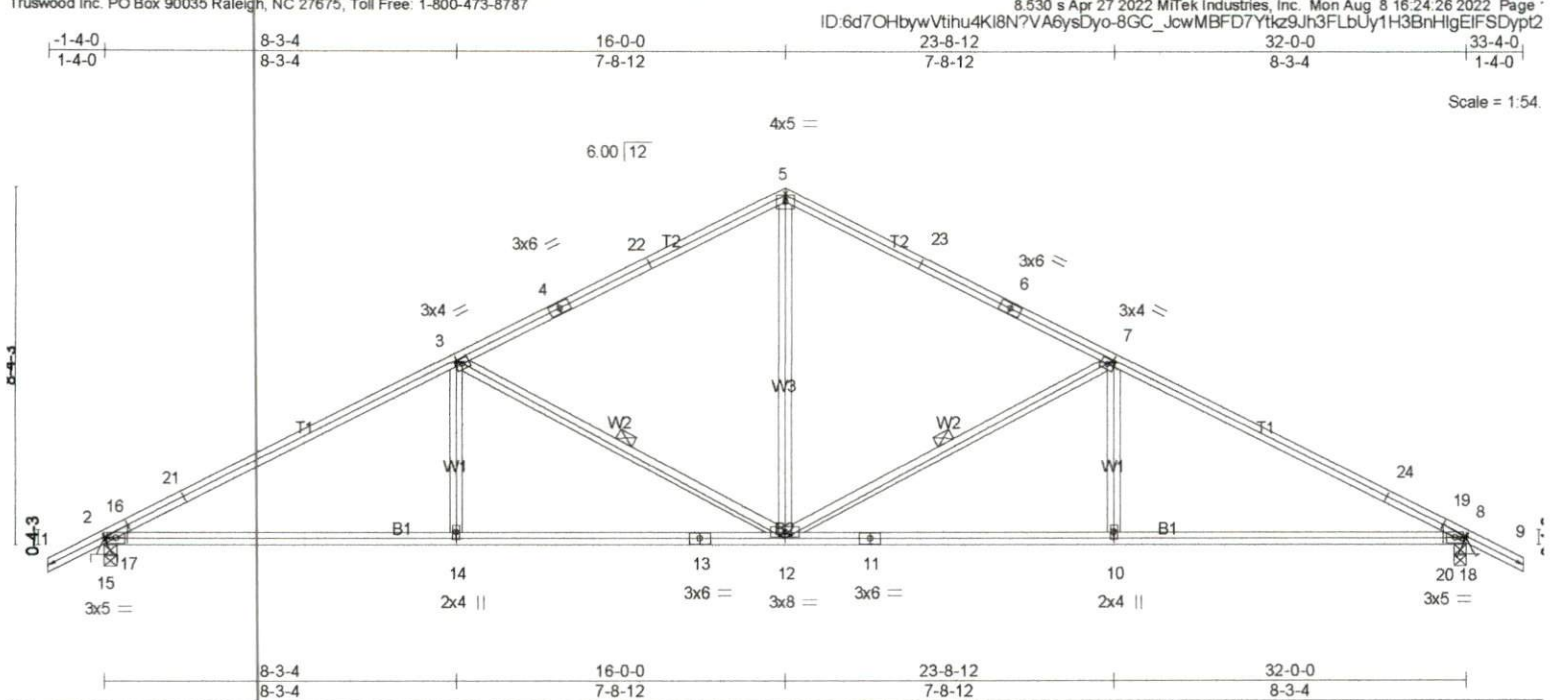
BRACING-
 TOP CHORD Structural wood sheathing directly applied or 1-7-8 oc purlins.
 BOT CHORD Rigid ceiling directly applied or 2-2-0 oc bracing.
 WEBS 1 Row at midpt 7-11, 3-11

REACTIONS. (lb/size) 2=1362/0-3-8 (min. 0-1-10), 8=1278/0-3-8 (min. 0-1-8)
 Max Horz 2=225(LC 16)
 Max Uplift 2=440(LC 12), 8=390(LC 13)

FORCES. (lb) - Max. Comp./Max. Ten. - All forces 250 (lb) or less except when shown.
TOP CHORD 2-15=-738/143, 15-20=-2319/637, 3-20=-2231/671, 3-4=-1568/522, 4-21=-1451/541,
 5-21=-1447/559, 5-22=-1447/566, 6-22=-1451/548, 6-7=-1569/529, 7-23=-2242/684,
 18-23=-2326/657, 8-18=-808/194
BOT CHORD 14-16=-240/630, 13-16=-663/1996, 12-13=-663/1996, 11-12=-663/1996, 10-11=-492/2005,
 9-10=-492/2005, 9-19=-492/2005, 17-19=-214/703
WEBS 5-11=-216/894, 7-11=-817/489, 7-9=0/346, 3-11=-806/479, 3-13=0/344, 2-14=-795/367,
 15-16=-433/435, 14-15=-706/155, 2-16=-245/605, 8-17=-700/256, 18-19=-412/400,
 17-18=-737/180, 8-19=-186/634

- NOTES-** (7-8)
- Unbalanced roof live loads have been considered for this design.
 - Wind: ASCE 7-16; Vult=130mph (3-second gust) Vasd=103mph; TC DL=6.0psf; BCDL=6.0psf; h=35ft; Cat. II; Exp C; Enclosed; MWFRS (envelope) gable end zone and C-C Exterior(2E) -1-4-0 to 1-10-6, Interior(1) 1-10-6 to 16-0-0, Exterior(2R) 16-0-0 to 19-2-6, Interior(1) 19-2-6 to 32-0-0 zone; cantilever left and right exposed; end vertical left and right exposed; C-C for members and forces & MWFRS for reactions shown; Lumber DOL=1.33 plate grip DOL=1.33
 - This truss has been designed for a 10.0 psf bottom chord live load nonconcurrent with any other live loads.
 - * This truss has been designed for a live load of 20.0psf on the bottom chord in all areas where a rectangle 3-6-0 tall by 1-0-0 wide will fit between the bottom chord and any other members.
 - Provide mechanical connection (by others) of truss to bearing plate capable of withstanding 100 lb uplift at joint(s) except (jt=lb) 2=440, 8=390.
 - This truss is designed in accordance with the 2018 International Residential Code sections R502.11.1 and R802.10.2 and referenced standard ANSI/TPI 1.
 - If Southern Pine (SP or SPP) lumber is specified, the design values are those effective 06/01/2012 by ALSC or proposed by SPIB.

LOAD CASE(S) Standard



| | | | | | |
|----------------------|----------------------|-------------|-----------------------------|----------------|-------------|
| LOADING (psf) | SPACING- | CSI. | DEFL. | PLATES | GRIP |
| TCLL 20.0 | 2-0-0 | TC 0.87 | in (loc) l/defl L/d | MT20 | 244/190 |
| TCDL 10.0 | Plate Grip DOL 1.15 | BC 0.90 | Vert(LL) 0.40 3-5 >950 240 | | |
| BCLL 0.0 * | Lumber DOL 1.15 | WB 0.37 | Vert(CT) -0.43 3-5 >903 180 | | |
| BCDL 10.0 | Rep Stress Incr YES | Matrix-MSH | Horz(CT) 0.10 8 n/a n/a | | |
| | Code IRC2018/TPI2014 | | | Weight: 154 lb | FT = 20% |

LUMBER-
 TOP CHORD 2x4 SP No.2
 BOT CHORD 2x4 SP No.2
 WEBS 2x4 SP No.3

BRACING-
 TOP CHORD Structural wood sheathing directly applied or 2-2-0 oc purlins.
 BOT CHORD Rigid ceiling directly applied or 6-9-5 oc bracing.
 WEBS 1 Row at midpt 7-12, 3-12

REACTIONS. (lb/size) 2=1360/0-3-8 (min. 0-1-10), 8=1360/0-3-8 (min. 0-1-10)
 Max Horz 2=210(LC 16)
 Max Uplift 2=439(LC 12), 8=439(LC 13)

FORCES. (lb) - Max. Comp./Max. Ten. - All forces 250 (lb) or less except when shown.

TOP CHORD 2-16=-737/144, 16-21=-2315/636, 3-21=-2228/670, 3-4=-1565/520, 4-22=-1448/539,
 5-22=-1443/558, 5-23=-1443/558, 6-23=-1448/539, 6-7=-1565/520, 7-24=-2228/671,
 19-24=-2315/636, 8-19=-737/143

BOT CHORD 15-17=-233/629, 14-17=-646/1992, 13-14=-646/1992, 12-13=-646/1992, 11-12=-451/1992,
 10-11=-451/1992, 10-20=-451/1992, 18-20=-141/629

WEBS 5-12=-206/890, 7-12=-805/480, 7-10=0/344, 3-12=-805/479, 3-14=0/344, 2-15=-794/366,
 16-17=-432/434, 15-16=-705/157, 2-17=-238/604, 8-18=-794/366, 19-20=-432/423,
 18-19=-705/158, 8-20=-153/604

- NOTES- (7-8)**
- 1) Unbalanced roof live loads have been considered for this design.
 - 2) Wind: ASCE 7-16; Vult=130mph (3-second gust) Vasd=103mph; TC DL=6.0psf; BC DL=6.0psf; h=35ft; Cat. II; Exp C; Enclosed; MWFRS (envelope) gable end zone and C-C Exterior(2E) -1-4-0 to 1-10-6, Interior(1) 1-10-6 to 16-0-0, Exterior(2R) 16-0-0 to 19-2-6, Interior(1) 19-2-6 to 33-4-0 zone; cantilever left and right exposed; end vertical left and right exposed; C-C for members and forces & MWFRS for reactions shown; Lumber DOL=1.33 plate grip DOL=1.33
 - 3) This truss has been designed for a 10.0 psf bottom chord live load nonconcurrent with any other live loads.
 - 4) * This truss has been designed for a live load of 20.0psf on the bottom chord in all areas where a rectangle 3-6-0 tall by 1-0-0 wide will fit between the bottom chord and any other members.
 - 5) Provide mechanical connection (by others) of truss to bearing plate capable of withstanding 100 lb uplift at joint(s) except (jt=lb) 2=439, 8=439.
 - 6) This truss is designed in accordance with the 2018 International Residential Code sections R502.11.1 and R802.10.2 and referenced standard ANSI/TPI 1.
 - 7) If Southern Pine (SP or SPb) lumber is specified, the design values are those effective 06/01/2012 by ALSC or proposed by SPIB.

LOAD CASE(S) Standard

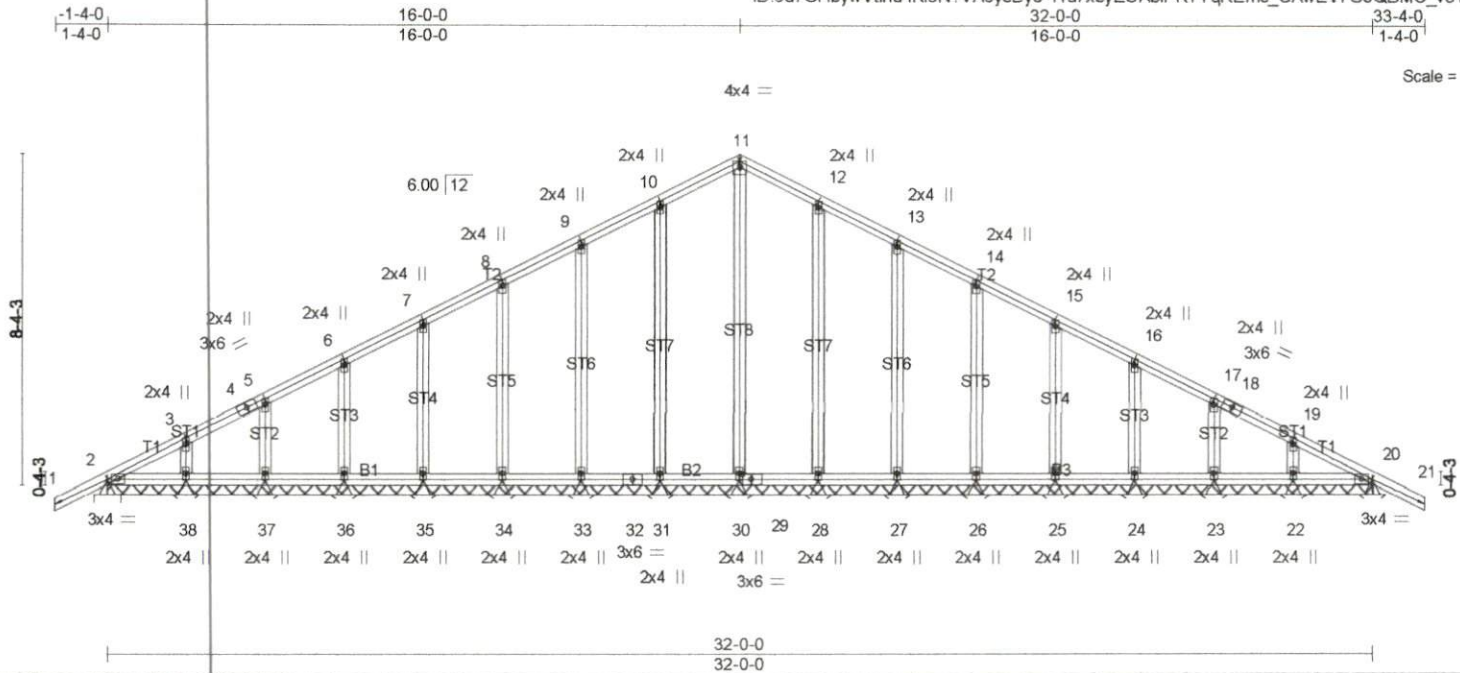


Plate Offsets (X,Y)-- [29'-0"-2'-10",0'-1"-8"]

| LOADING (psf) | SPACING- | CSI. | DEFL. | in (loc) | l/defl | L/d | PLATES | GRIP |
|---------------|----------------------|-----------|----------|----------|--------|-----|----------------|----------|
| TCLL 20.0 | 2-0-0 | TC 0.19 | Vert(LL) | -0.00 | 21 | n/r | MT20 | 244/190 |
| TCDL 10.0 | Plate Grip DOL 1.15 | BC 0.11 | Vert(CT) | -0.01 | 21 | n/r | | |
| BCLL 0.0 * | Lumber DOL 1.15 | WB 0.28 | Horz(CT) | 0.01 | 20 | n/a | | |
| BCDL 10.0 | Rep Stress Incr YES | Matrix-SH | | | | | | |
| | Code IRC2018/TPI2014 | | | | | | | |
| | | | | | | | Weight: 196 lb | FT = 20% |

LUMBER-
 TOP CHORD 2x4 SP No.2
 BOT CHORD 2x4 SP No.2
 OTHERS 2x4 SP No.3

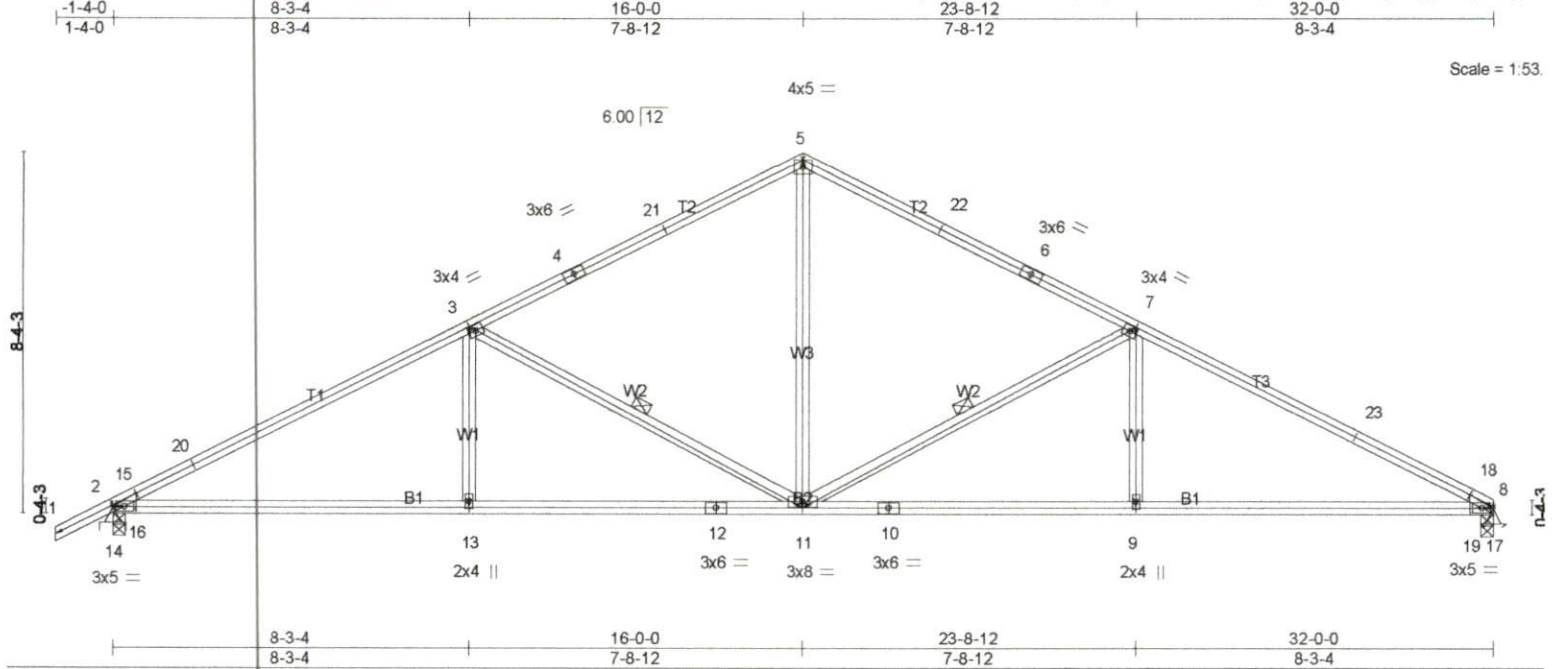
BRACING-
 TOP CHORD Structural wood sheathing directly applied or 6'-0" oc purlins.
 BOT CHORD Rigid ceiling directly applied or 10'-0" oc bracing.

REACTIONS. All bearings 32'-0-0.
 (lb) - Max Horz 2=210(LC 12)
 Max Uplift All uplift 100 lb or less at joint(s) 2, 31, 33, 34, 35, 36, 37, 38, 28, 27, 26, 25, 24, 23, 22, 20
 Max Grav All reactions 250 lb or less at joint(s) 2, 31, 33, 34, 35, 36, 37, 38, 28, 27, 26, 25, 24, 23, 22, 20
 except 30=274(LC 22)

FORCES. (lb) - Max. Comp./Max. Ten. - All forces 250 (lb) or less except when shown.
 TOP CHORD 9-10=-110/312, 10-11=-134/377, 11-12=-134/377, 12-13=-110/312

- NOTES-** (11-12)
- 1) Unbalanced roof live loads have been considered for this design.
 - 2) Wind: ASCE 7-16; Vult=130mph (3-second gust) Vasd=103mph; TCDL=6.0psf; BCDL=6.0psf; h=35ft; Cat. II; Exp C; Enclosed; MWFRS (envelope) gable end zone and C-C Corner(3E) -1'-4"-0 to 2'-0"-0, Exterior(2N) 2'-0"-0 to 16'-0"-0, Corner(3R) 16'-0"-0 to 19'-2"-6, Exterior(2N) 19'-2"-6 to 33'-4"-0 zone; cantilever left and right exposed; end vertical left and right exposed; C-C for members and forces & MWFRS for reactions shown; Lumber DOL=1.33 plate grip DOL=1.33
 - 3) Truss designed for wind loads in the plane of the truss only. For studs exposed to wind (normal to the face), see Truswood standard detail "Gable BR-1" for bracing information.
 - 4) Gable requires continuous bottom chord bearing.
 - 5) Gable studs spaced at 2'-0" oc.
 - 6) This truss has been designed for a 10.0 psf bottom chord live load nonconcurrent with any other live loads.
 - 7) * This truss has been designed for a live load of 20.0psf on the bottom chord in all areas where a rectangle 3'-6" tall by 1'-0" wide will fit between the bottom chord and any other members, with BCDL = 10.0psf.
 - 8) Provide mechanical connection (by others) of truss to bearing plate capable of withstanding 100 lb uplift at joint(s) 2, 31, 33, 34, 35, 36, 37, 38, 28, 27, 26, 25, 24, 23, 22, 20.
 - 9) Beveled plate or shim required to provide full bearing surface with truss chord at joint(s) 2.
 - 10) This truss is designed in accordance with the 2018 International Residential Code sections R502.11.1 and R802.10.2 and referenced standard ANSI/TPI 1.
 - 11) If Southern Pine (SP or SPp) lumber is specified, the design values are those effective 06/01/2012 by ALSC or proposed by SPIB.

LOAD CASE(S) Standard



| | | | | | |
|----------------------|----------------------|-------------|------------------------------|----------------|-------------|
| LOADING (psf) | SPACING- | CSI. | DEFL. | PLATES | GRIP |
| TCLL 20.0 | 2-0-0 | TC 0.89 | in (loc) l/defl L/d | MT20 | 244/190 |
| TCDL 10.0 | Plate Grip DOL 1.15 | BC 0.95 | Vert(LL) 0.41 3-5 >947 240 | | |
| BCLL 0.0 * | Lumber DOL 1.15 | WB 0.37 | Vert(CT) -0.43 7-18 >896 180 | | |
| BCDL 10.0 | Rep Stress Incr YES | Matrix-MSH | Horz(CT) 0.10 8 n/a n/a | | |
| | Code IRC2018/TPI2014 | | | Weight: 152 lb | FT = 20% |

LUMBER-
 TOP CHORD 2x4 SP No.2
 BOT CHORD 2x4 SP No.2
 WEBS 2x4 SP No.3

BRACING-
 TOP CHORD Structural wood sheathing directly applied or 1-7-8 oc purlins.
 BOT CHORD Rigid ceiling directly applied or 2-2-0 oc bracing.
 WEBS 1 Row at midpt 7-11, 3-11

REACTIONS. (lb/size) 2=1362/0-3-8 (min. 0-1-10), 8=1278/0-3-8 (min. 0-1-8)
 Max Horz 2=225(LC 16)
 Max Uplift 2=440(LC 12), 8=390(LC 13)

FORCES. (lb) - Max. Comp./Max. Ten. - All forces 250 (lb) or less except when shown.

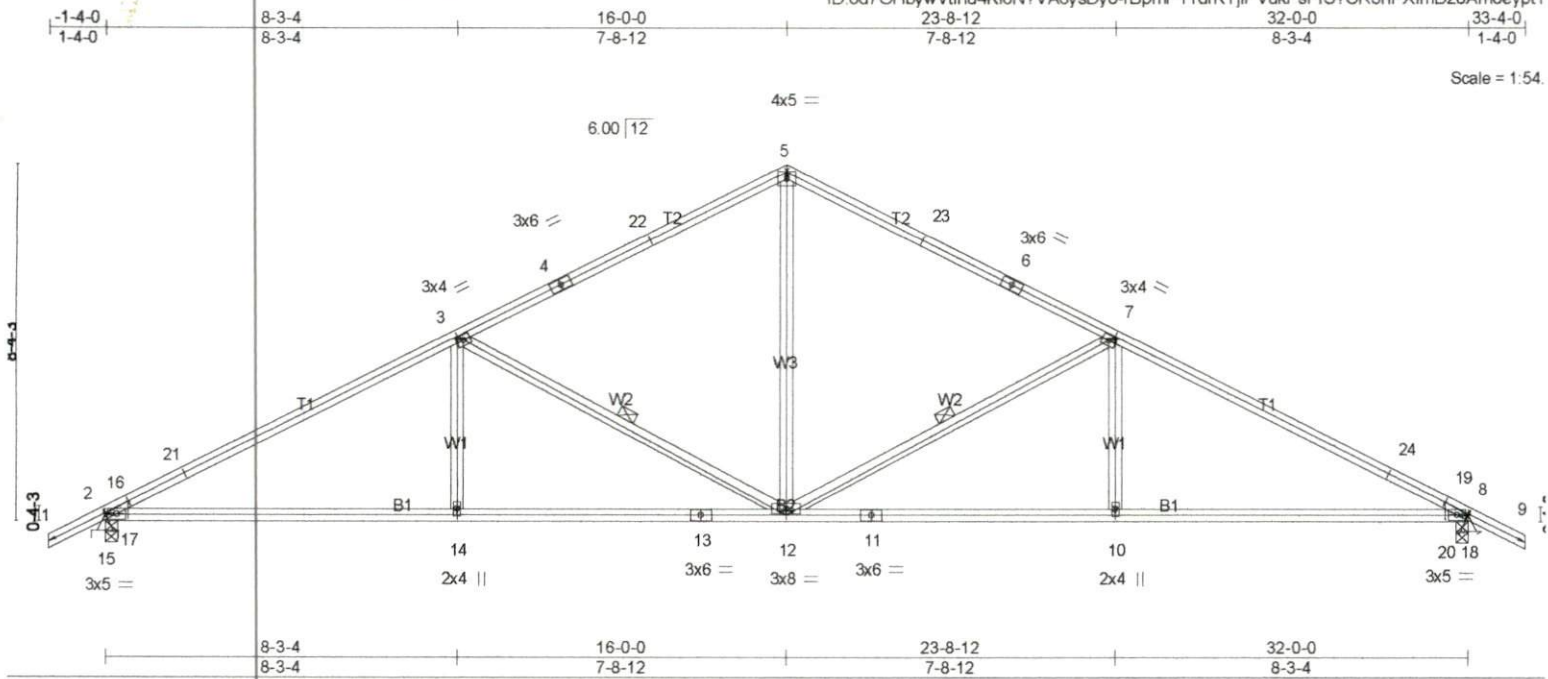
TOP CHORD 2-15=-738/143, 15-20=-2319/637, 3-20=-2231/671, 3-4=-1568/522, 4-21=-1451/541, 5-21=-1447/559, 5-22=-1447/566, 6-22=-1451/548, 6-7=-1569/529, 7-23=-2242/684, 18-23=-2328/657, 8-18=-808/194

BOT CHORD 14-16=-240/630, 13-16=-663/1996, 12-13=-663/1996, 11-12=-663/1996, 10-11=-492/2005, 9-10=-492/2005, 9-19=-492/2005, 17-19=-214/703

WEBS 5-11=-216/894, 7-11=-817/489, 7-9=0/346, 3-11=-806/479, 3-13=0/344, 2-14=-795/367, 15-16=-433/435, 14-15=-706/155, 2-16=-245/605, 8-17=-700/256, 18-19=-412/400, 17-18=-737/180, 8-19=-186/634

- NOTES-** (7-8)
- Unbalanced roof live loads have been considered for this design.
 - Wind: ASCE 7-16; Vult=130mph (3-second gust) Vasd=103mph; TCDL=6.0psf; BCDL=6.0psf; h=35ft; Cat. II; Exp C; Enclosed; MWFRS (envelope) gable end zone and C-C Exterior(2E) -1-4-0 to 1-10-6, Interior(1) 1-10-6 to 16-0-0, Exterior(2R) 16-0-0 to 19-2-6, Interior(1) 19-2-6 to 32-0-0 zone; cantilever left and right exposed; end vertical left and right exposed; C-C for members and forces & MWFRS for reactions shown; Lumber DOL=1.33 plate grip DOL=1.33
 - This truss has been designed for a 10.0 psf bottom chord live load nonconcurrent with any other live loads.
 - * This truss has been designed for a live load of 20.0psf on the bottom chord in all areas where a rectangle 3-6-0 tall by 1-0-0 wide will fit between the bottom chord and any other members.
 - Provide mechanical connection (by others) of truss to bearing plate capable of withstanding 100 lb uplift at joint(s) except (jt=lb) 2=440, 8=390.
 - This truss is designed in accordance with the 2018 International Residential Code sections R502.11.1 and R802.10.2 and referenced standard ANSI/TPI 1.
 - If Southern Pine (SP or SPP) lumber is specified, the design values are those effective 06/01/2012 by ALSC or proposed by SPIB.

LOAD CASE(S) Standard



| LOADING (psf) | SPACING- | CSI. | DEFL. | PLATES | GRIP |
|---------------|----------------------|------------|-----------------------------|----------------|----------|
| TCLL 20.0 | 2-0-0 | TC 0.87 | in (loc) l/defl L/d | MT20 | 244/190 |
| TCDL 10.0 | Plate Grip DOL 1.15 | BC 0.90 | Vert(LL) 0.40 3-5 >950 240 | | |
| BCLL 0.0 * | Lumber DOL 1.15 | WB 0.37 | Vert(CT) -0.43 3-5 >903 180 | | |
| BCDL 10.0 | Rep Stress Incr YES | Matrix-MSH | Horz(CT) 0.10 8 n/a n/a | | |
| | Code IRC2018/TPI2014 | | | Weight: 154 lb | FT = 20% |

LUMBER-
 TOP CHORD 2x4 SP No.2
 BOT CHORD 2x4 SP No.2
 WEBS 2x4 SP No.3

BRACING-
 TOP CHORD Structural wood sheathing directly applied or 2-2-0 oc purlins.
 BOT CHORD Rigid ceiling directly applied or 6-9-5 oc bracing.
 WEBS 1 Row at midpt 7-12, 3-12

REACTIONS. (lb/size) 2=1360/0-3-8 (min. 0-1-10), 8=1360/0-3-8 (min. 0-1-10)
 Max Horz 2=210(LC 12)
 Max Uplift 2=439(LC 12), 8=439(LC 13)

FORCES. (lb) - Max. Comp./Max. Ten. - All forces 250 (lb) or less except when shown.

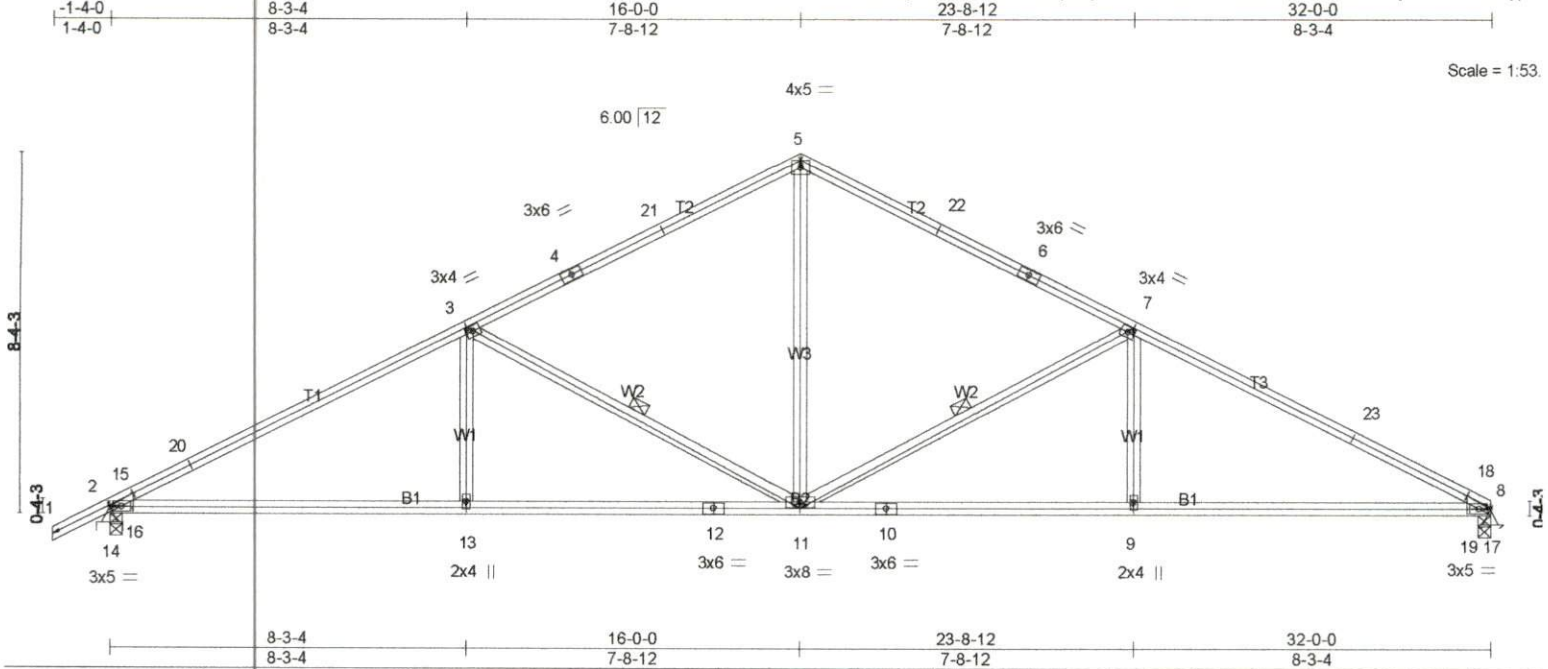
TOP CHORD 2-16=-737/144, 16-21=-2315/636, 3-21=-2228/670, 3-4=-1565/520, 4-22=-1448/539, 5-22=-1443/558, 5-23=-1443/558, 6-23=-1448/539, 6-7=-1565/520, 7-24=-2228/671, 19-24=-2315/636, 8-19=-737/143

BOT CHORD 15-17=-233/629, 14-17=-646/1992, 13-14=-646/1992, 12-13=-646/1992, 11-12=-451/1992, 10-11=-451/1992, 10-20=-451/1992, 18-20=-141/629

WEBS 5-12=-206/890, 7-12=-805/480, 7-10=0/344, 3-12=-805/479, 3-14=0/344, 2-15=-794/366, 16-17=-432/434, 15-16=-705/157, 2-17=-238/604, 8-18=-794/366, 19-20=-432/423, 18-19=-705/158, 8-20=-153/604

- NOTES- (7-8)**
- Unbalanced roof live loads have been considered for this design.
 - Wind: ASCE 7-16; Vult=130mph (3-second gust) Vasd=103mph; TCDL=6.0psf; BCDL=6.0psf; h=35ft; Cat. II; Exp C; Enclosed; MWFRS (envelope) gable end zone and C-C Exterior(2E) -1-4-0 to 1-10-6, Interior(1) 1-10-6 to 16-0-0, Exterior(2R) 16-0-0 to 19-2-6, Interior(1) 19-2-6 to 33-4-0 zone; cantilever left and right exposed; end vertical left and right exposed; C-C for members and forces & MWFRS for reactions shown; Lumber DOL=1.33 plate grip DOL=1.33
 - This truss has been designed for a 10.0 psf bottom chord live load nonconcurrent with any other live loads.
 - * This truss has been designed for a live load of 20.0psf on the bottom chord in all areas where a rectangle 3-6-0 tall by 1-0-0 wide will fit between the bottom chord and any other members.
 - Provide mechanical connection (by others) of truss to bearing plate capable of withstanding 100 lb uplift at joint(s) except (jt=lb) 2=439, 8=439.
 - This truss is designed in accordance with the 2018 International Residential Code sections R502.11.1 and R802.10.2 and referenced standard ANSI/TPI 1.
 - If Southern Pine (SP or SPO) lumber is specified, the design values are those effective 06/01/2012 by ALSC or proposed by SPIB.

LOAD CASE(S) Standard



Scale = 1:53

| | | | | | |
|----------------------|-----------------------|-------------|----------------------------------|---------------|-------------------------|
| LOADING (psf) | SPACING- 2-0-0 | CSI. | DEFL. in (loc) l/defl L/d | PLATES | GRIP |
| TCLL 20.0 | Plate Grip DOL 1.15 | TC 0.89 | Vert(LL) 0.41 3-5 >947 240 | MT20 | 244/190 |
| TCDL 10.0 | Lumber DOL 1.15 | BC 0.95 | Vert(CT) -0.43 7-18 >896 180 | | |
| BCLL 0.0 * | Rep Stress Incr YES | WB 0.37 | Horz(CT) 0.10 8 n/a n/a | | |
| BCDL 10.0 | Code IRC2018/TPI2014 | Matrix-MSH | | | Weight: 152 lb FT = 20% |

| | |
|-----------------------|---|
| LUMBER- | BRACING- |
| TOP CHORD 2x4 SP No.2 | TOP CHORD Structural wood sheathing directly applied or 1-7-8 oc purlins. |
| BOT CHORD 2x4 SP No.2 | BOT CHORD Rigid ceiling directly applied or 2-2-0 oc bracing. |
| WEBS 2x4 SP No.3 | WEBS 1 Row at midpt 7-11, 3-11 |

REACTIONS. (lb/size) 2=1362/0-3-8 (min. 0-1-10), 8=1278/0-3-8 (min. 0-1-8)
 Max Horz 2=225(LC 16)
 Max Uplift 2=440(LC 12), 8=390(LC 13)

FORCES. (lb) - Max. Comp./Max. Ten. - All forces 250 (lb) or less except when shown.

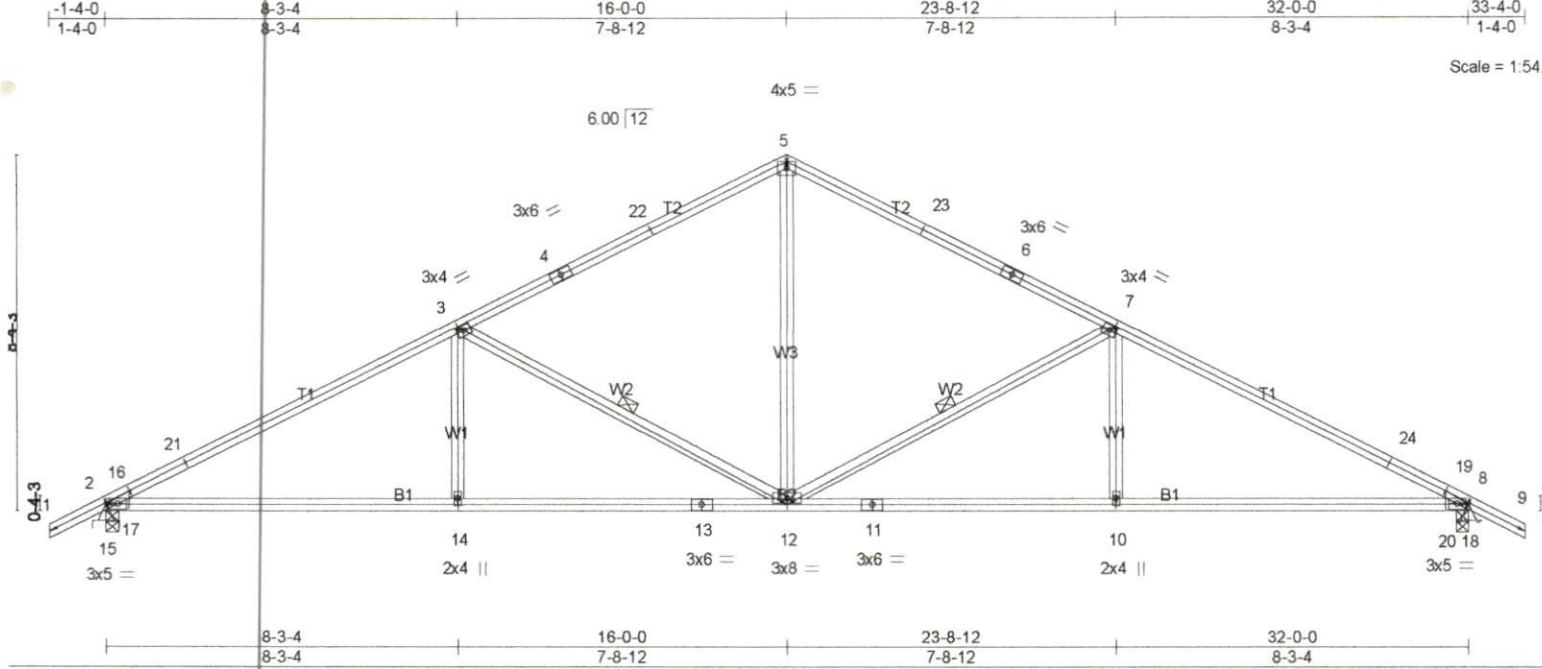
TOP CHORD 2-15=-738/143, 15-20=-2319/637, 3-20=-2231/671, 3-4=-1568/522, 4-21=-1451/541, 5-21=-1447/559, 5-22=-1447/566, 6-22=-1451/548, 6-7=-1569/529, 7-23=-2242/684, 18-23=-2328/657, 8-18=-808/194

BOT CHORD 14-16=-240/630, 13-16=-663/1996, 12-13=-663/1996, 11-12=-663/1996, 10-11=-492/2005, 9-10=-492/2005, 9-19=-492/2005, 17-19=-214/703

WEBS 5-11=-216/894, 7-11=-817/489, 7-9=0/346, 3-11=-806/479, 3-13=0/344, 2-14=-795/367, 15-16=-433/435, 14-15=-706/155, 2-16=-245/605, 8-17=-700/256, 18-19=-412/400, 17-18=-737/180, 8-19=-186/634

- NOTES- (7-8)**
- Unbalanced roof live loads have been considered for this design.
 - Wind: ASCE 7-16; Vult=130mph (3-second gust) Vasd=103mph; TCCL=6.0psf; BCDL=6.0psf; h=35ft; Cat. II; Exp C; Enclosed; MWFRS (envelope) gable end zone and C-C Exterior(2E) -1-4-0 to 1-10-6, Interior(1) 1-10-6 to 16-0-0, Exterior(2R) 16-0-0 to 19-2-6, Interior(1) 19-2-6 to 32-0-0 zone; cantilever left and right exposed; end vertical left and right exposed; C-C for members and forces & MWFRS for reactions shown; Lumber DOL=1.33 plate grip DOL=1.33
 - This truss has been designed for a 10.0 psf bottom chord live load nonconcurrent with any other live loads.
 - * This truss has been designed for a live load of 20.0psf on the bottom chord in all areas where a rectangle 3-6-0 tall by 1-0-0 wide will fit between the bottom chord and any other members.
 - Provide mechanical connection (by others) of truss to bearing plate capable of withstanding 100 lb uplift at joint(s) except (jt=lb) 2=440, 8=390.
 - This truss is designed in accordance with the 2018 International Residential Code sections R502.11.1 and R802.10.2 and referenced standard ANSI/TPI 1.
 - If Southern Pine (SP or SPP) lumber is specified, the design values are those effective 06/01/2012 by ALSC or proposed by SPIB.

LOAD CASE(S) Standard



| LOADING (psf) | SPACING- | CSI. | DEFL. | PLATES | GRIP |
|---------------|----------------------|------------|-----------------------------|----------------|----------|
| TCLL 20.0 | 2-0-0 | TC 0.87 | in (loc) l/defl L/d | MT20 | 244/190 |
| TCDL 10.0 | Plate Grip DOL 1.15 | BC 0.90 | Vert(LL) 0.40 3-5 >950 240 | | |
| BCLL 0.0 * | Lumber DOL 1.15 | WB 0.37 | Vert(CT) -0.43 3-5 >903 180 | | |
| BCDL 10.0 | Rep Stress Incr YES | Matrix-MSH | Horz(CT) 0.10 8 n/a n/a | | |
| | Code IRC2018/TPI2014 | | | Weight: 154 lb | FT = 20% |

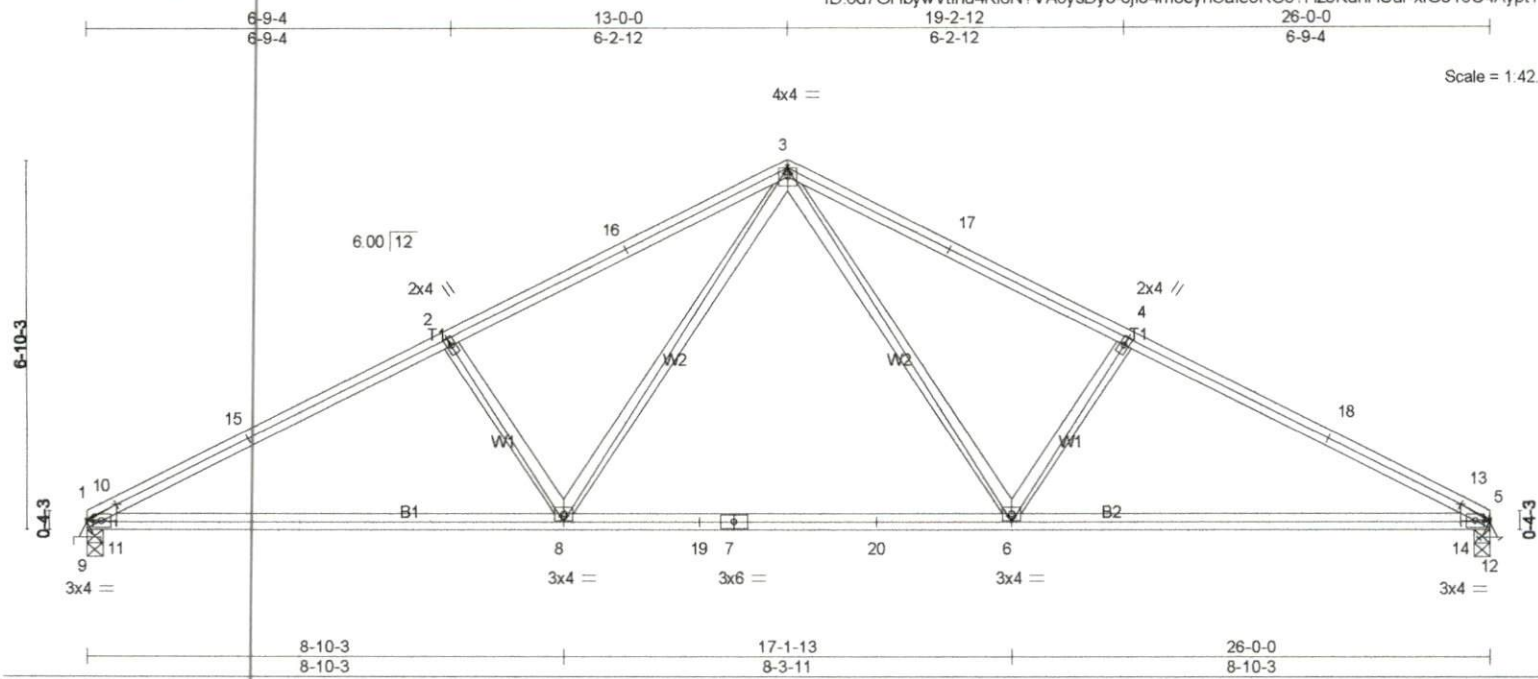
| LUMBER- | BRACING- |
|-----------------------|---|
| TOP CHORD 2x4 SP No.2 | TOP CHORD Structural wood sheathing directly applied or 2-2-0 oc purlins. |
| BOT CHORD 2x4 SP No.2 | BOT CHORD Rigid ceiling directly applied or 6-9-5 oc bracing. |
| WEBS 2x4 SP No.3 | WEBS 1 Row at midpt 7-12, 3-12 |

REACTIONS. (lb/size) 2=1360/0-3-8 (min. 0-1-10), 8=1360/0-3-8 (min. 0-1-10)
 Max Horz 2=-210(LC 13)
 Max Uplift 2=439(LC 12), 8=439(LC 13)

FORCES. (lb) - Max. Comp./Max. Ten. - All forces 250 (lb) or less except when shown.
 TOP CHORD 2-16=-737/144, 16-21=-2315/636, 3-21=-2228/670, 3-4=-1565/520, 4-22=-1448/539,
 5-22=-1443/558, 5-23=-1443/558, 6-23=-1448/539, 6-7=-1565/520, 7-24=-2228/671,
 19-24=-2315/636, 8-19=-737/143
 BOT CHORD 15-17=-233/629, 14-17=-646/1992, 13-14=-646/1992, 12-13=-646/1992, 11-12=-451/1992,
 10-11=-451/1992, 10-20=-451/1992, 18-20=-141/629
 WEBS 5-12=-206/890, 7-12=-805/480, 7-10=0/344, 3-12=-805/479, 3-14=0/344, 2-15=-794/366,
 16-17=-432/434, 15-16=-705/157, 2-17=-238/604, 8-18=-794/366, 19-20=-432/423,
 18-19=-705/158, 8-20=-153/604

- NOTES-** (7-8)
- Unbalanced roof live loads have been considered for this design.
 - Wind: ASCE 7-16; Vult=130mph (3-second gust) Vasd=103mph; TC DL=6.0psf; BC DL=6.0psf; h=35ft; Cat. II; Exp C; Enclosed; MWFRS (envelope) gable end zone and C-C Exterior(2E) -1-4-0 to 1-10-6, Interior(1) 1-10-6 to 16-0-0, Exterior(2R) 16-0-0 to 19-2-6, Interior(1) 19-2-6 to 33-4-0 zone; cantilever left and right exposed; end vertical left and right exposed; C-C for members and forces & MWFRS for reactions shown; Lumber DOL=1.33 plate grip DOL=1.33
 - This truss has been designed for a 10.0 psf bottom chord live load nonconcurrent with any other live loads.
 - * This truss has been designed for a live load of 20.0psf on the bottom chord in all areas where a rectangle 3-6-0 tall by 1-0-0 wide will fit between the bottom chord and any other members.
 - Provide mechanical connection (by others) of truss to bearing plate capable of withstanding 100 lb uplift at joint(s) except (jt=lb) 2=439, 8=439.
 - This truss is designed in accordance with the 2018 International Residential Code sections R502.11.1 and R802.10.2 and referenced standard ANSI/TPI 1.
 - If Southern Pine (SP or S Pp) lumber is specified, the design values are those effective 06/01/2012 by ALSC or proposed by SPIB.

LOAD CASE(S) Standard



| | | | | | | | | | |
|----------------------|----------------------|-------|-------------|--------------|----------|--------|------|----------------|-------------|
| LOADING (psf) | SPACING- | 2-0-0 | CSI. | DEFL. | in (loc) | l/defl | L/d | PLATES | GRIP |
| TCLL 20.0 | Plate Grip DOL | 1.15 | TC 0.60 | Vert(LL) | 0.20 | 2-3 | >999 | MT20 | 244/190 |
| TCDL 10.0 | Lumber DOL | 1.15 | BC 0.79 | Vert(CT) | -0.32 | 6-14 | >972 | | |
| BCLL 0.0 * | Rep Stress Incr | YES | WB 0.31 | Horz(CT) | 0.05 | 5 | n/a | | |
| BCDL 10.0 | Code IRC2018/TPI2014 | | Matrix-MSH | | | | | | |
| | | | | | | | | Weight: 116 lb | FT = 20% |

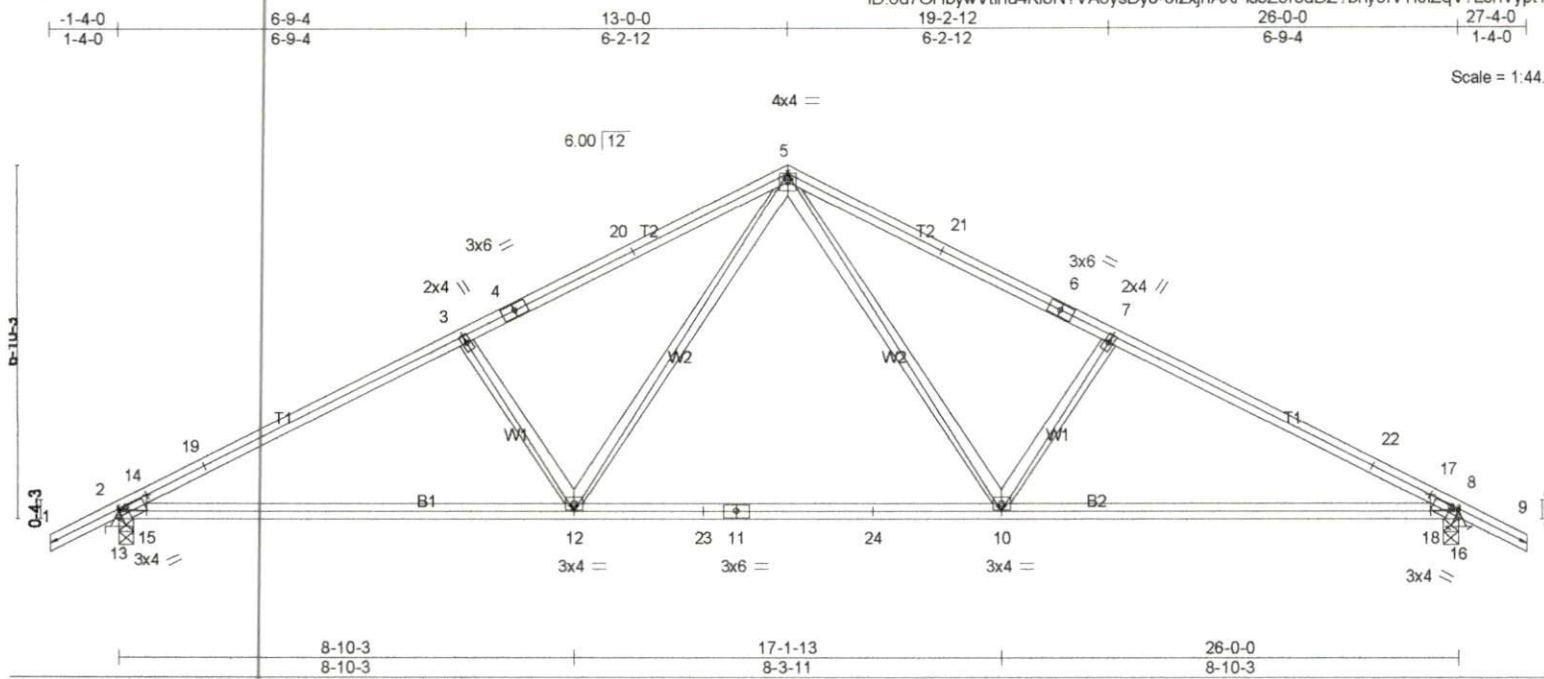
| | |
|-----------------------|--|
| LUMBER- | BRACING- |
| TOP CHORD 2x4 SP No.2 | TOP CHORD Structural wood sheathing directly applied or 3-6-12 oc purlins. |
| BOT CHORD 2x4 SP No.2 | BOT CHORD Rigid ceiling directly applied or 7-6-15 oc bracing. |
| WEBS 2x4 SP No.3 | |

REACTIONS. (lb/size) 1=1040/0-3-8 (min. 0-1-8), 5=1040/0-3-8 (min. 0-1-8)
 Max Horz 1=157(LC 12)
 Max Uplift 1=317(LC 12), 5=317(LC 13)

FORCES. (lb) - Max. Comp./Max. Ten. - All forces 250 (lb) or less except when shown.
 TOP CHORD 1-10=-674/189, 10-15=-1827/615, 2-15=-1777/635, 2-16=-1636/622, 3-16=-1540/638, 3-17=-1540/638, 4-17=-1636/622, 4-18=-1777/635, 13-18=-1827/615, 5-13=-674/188
 BOT CHORD 9-11=-240/559, 8-11=-552/1593, 8-19=-211/1044, 7-19=-211/1044, 7-20=-211/1044, 6-20=-211/1044, 6-14=-467/1593, 12-14=-188/559
 WEBS 3-6=-265/636, 4-6=-410/370, 3-8=-264/636, 2-8=-410/370, 1-9=-549/211, 10-11=-210/298, 9-10=-612/175, 1-11=-213/505, 5-12=-549/211, 13-14=-210/290, 12-13=-612/174, 5-14=-165/505

- NOTES-** (7-8)
- 1) Unbalanced roof live loads have been considered for this design.
 - 2) Wind: ASCE 7-16; Vult=130mph (3-second gust) Vasd=103mph; TC DL=6.0psf; BC DL=6.0psf; h=35ft; Cat. II; Exp C; Enclosed; MWFRS (envelope) gable end zone and C-C Exterior(2E) 0-0-0 to 3-0-0, Interior(1) 3-0-0 to 13-0-0, Exterior(2R) 13-0-0 to 16-0-0, Interior(1) 16-0-0 to 26-0-0 zone; cantilever left and right exposed; end vertical left and right exposed; C-C for members and forces & MWFRS for reactions shown; Lumber DOL=1.33 plate grip DOL=1.33
 - 3) This truss has been designed for a 10.0 psf bottom chord live load nonconcurrent with any other live loads.
 - 4) * This truss has been designed for a live load of 20.0psf on the bottom chord in all areas where a rectangle 3-6-0 tall by 1-0-0 wide will fit between the bottom chord and any other members, with BC DL = 10.0psf.
 - 5) Provide mechanical connection (by others) of truss to bearing plate capable of withstanding 100 lb uplift at joint(s) except (jt=lb) 1=317, 5=317.
 - 6) This truss is designed in accordance with the 2018 International Residential Code sections R502.11.1 and R802.10.2 and referenced standard ANSI/TPI 1.
 - 7) If Southern Pine (SP or SPp) lumber is specified, the design values are those effective 06/01/2012 by ALSC or proposed by SPIB.

LOAD CASE(S) Standard



| LOADING (psf) | SPACING- | CSI. | DEFL. | PLATES | GRIP |
|---------------|----------------------|------------|-------------------------------|----------------|----------|
| TCLL 20.0 | 2-0-0 | TC 0.58 | in (loc) l/defl L/d | MT20 | 244/190 |
| TCDL 10.0 | Plate Grip DOL 1.15 | BC 0.79 | Vert(LL) 0.21 3-5 >999 240 | | |
| BCLL 0.0 * | Lumber DOL 1.15 | WB 0.30 | Vert(CT) -0.31 10-18 >993 180 | | |
| BCDL 10.0 | Rep Stress Incr YES | Matrix-MSH | Horz(CT) 0.05 8 n/a n/a | | |
| | Code IRC2018/TPI2014 | | | Weight: 120 lb | FT = 20% |

LUMBER-
 TOP CHORD 2x4 SP No.2
 BOT CHORD 2x4 SP No.2
 WEBS 2x4 SP No.3

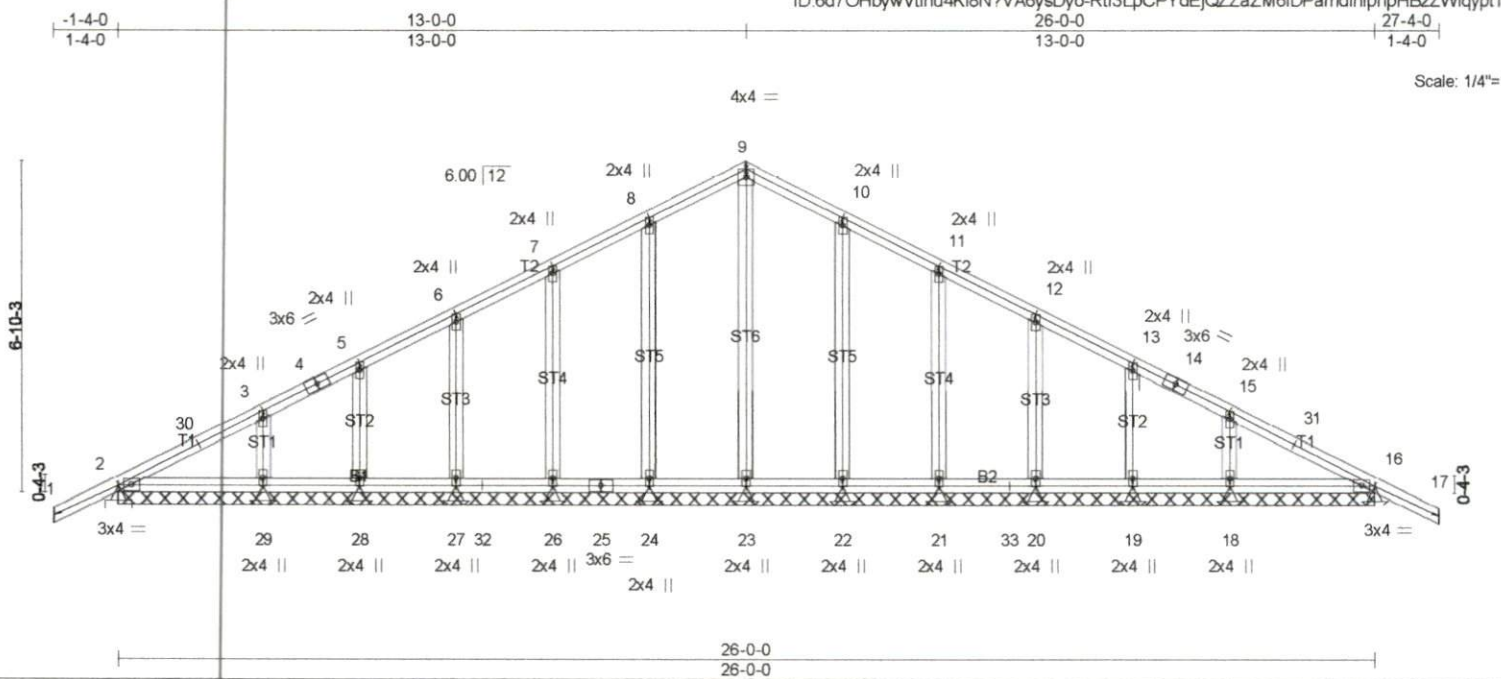
BRACING-
 TOP CHORD Structural wood sheathing directly applied or 3-8-13 oc purlins.
 BOT CHORD Rigid ceiling directly applied or 7-10-5 oc bracing.

REACTIONS. (lb/size) 2=1120/0-3-8 (min. 0-1-8), 8=1120/0-3-8 (min. 0-1-8)
 Max Horz 2=-173(LC 13)
 Max Uplift 2=-366(LC 12), 8=-366(LC 13)

FORCES. (lb) - Max. Comp/Max. Ten. - All forces 250 (lb) or less except when shown.
 TOP CHORD 2-14=-605/137, 14-19=-1810/578, 3-19=-1761/608, 3-4=-1620/580, 4-20=-1531/595,
 5-20=-1524/611, 5-21=-1524/611, 6-21=-1531/595, 6-7=-1620/581, 7-22=-1761/608,
 17-22=-1810/578, 8-17=-605/135
 BOT CHORD 13-15=-176/487, 12-15=-525/1575, 12-23=-191/1035, 11-23=-191/1035, 11-24=-191/1035,
 10-24=-191/1035, 10-18=-424/1575, 16-18=-122/487
 WEBS 5-10=-256/625, 7-10=-404/365, 5-12=-256/625, 3-12=-404/365, 2-13=-653/343,
 14-15=-226/320, 13-14=-576/149, 2-15=-184/469, 8-16=-653/343, 17-18=-226/311,
 16-17=-576/148, 8-18=-129/469

- NOTES-** (7-8)
- Unbalanced roof live loads have been considered for this design.
 - Wind: ASCE 7-16; Vult=130mph (3-second gust) Vasd=103mph; TCDL=6.0psf; BCDL=6.0psf; h=35ft; Cat. II; Exp C; Enclosed; MWFRS (envelope) gable end zone and C-C Exterior(2E) -1-4-0 to 1-8-0, Interior(1) 1-8-0 to 13-0-0, Exterior(2R) 13-0-0 to 16-0-0, Interior(1) 16-0-0 to 27-4-0 zone; cantilever left and right exposed; end vertical left and right exposed; C-C for members and forces & MWFRS for reactions shown; Lumber DOL=1.33 plate grip DOL=1.33
 - This truss has been designed for a 10.0 psf bottom chord live load nonconcurrent with any other live loads.
 - * This truss has been designed for a live load of 20.0psf on the bottom chord in all areas where a rectangle 3-6-0 tall by 1-0-0 wide will fit between the bottom chord and any other members, with BCDL = 10.0psf.
 - Provide mechanical connection (by others) of truss to bearing plate capable of withstanding 100 lb uplift at joint(s) except (jt=lb) 2=366, 8=366.
 - This truss is designed in accordance with the 2018 International Residential Code sections R502.11.1 and R802.10.2 and referenced standard ANSI/TPI 1.
 - If Southern Pine (SP or SPp) lumber is specified, the design values are those effective 06/01/2012 by ALSC or proposed by SPIB.

LOAD CASE(S) Standard



| LOADING (psf) | SPACING- | CSI. | DEFL. | in (loc) | l/defl | L/d | PLATES | GRIP |
|---------------|----------------------|-----------|----------------|----------|--------|-----|----------------|----------|
| TCLL 20.0 | 2-0-0 | TC 0.19 | Vert(LL) -0.00 | 17 | n/r | 120 | MT20 | 244/190 |
| TCDL 10.0 | Plate Grip DOL 1.15 | BC 0.06 | Vert(CT) -0.00 | 17 | n/r | 120 | | |
| BCLL 0.0 * | Lumber DOL 1.15 | WB 0.14 | Horz(CT) 0.01 | 16 | n/a | n/a | | |
| BCDL 10.0 | Rep Stress Incr YES | Matrix-SH | | | | | | |
| | Code IRC2018/TPI2014 | | | | | | | |
| | | | | | | | Weight: 145 lb | FT = 20% |

LUMBER-
 TOP CHORD 2x4 SP No.2
 BOT CHORD 2x4 SP No.2
 OTHERS 2x4 SP No.3

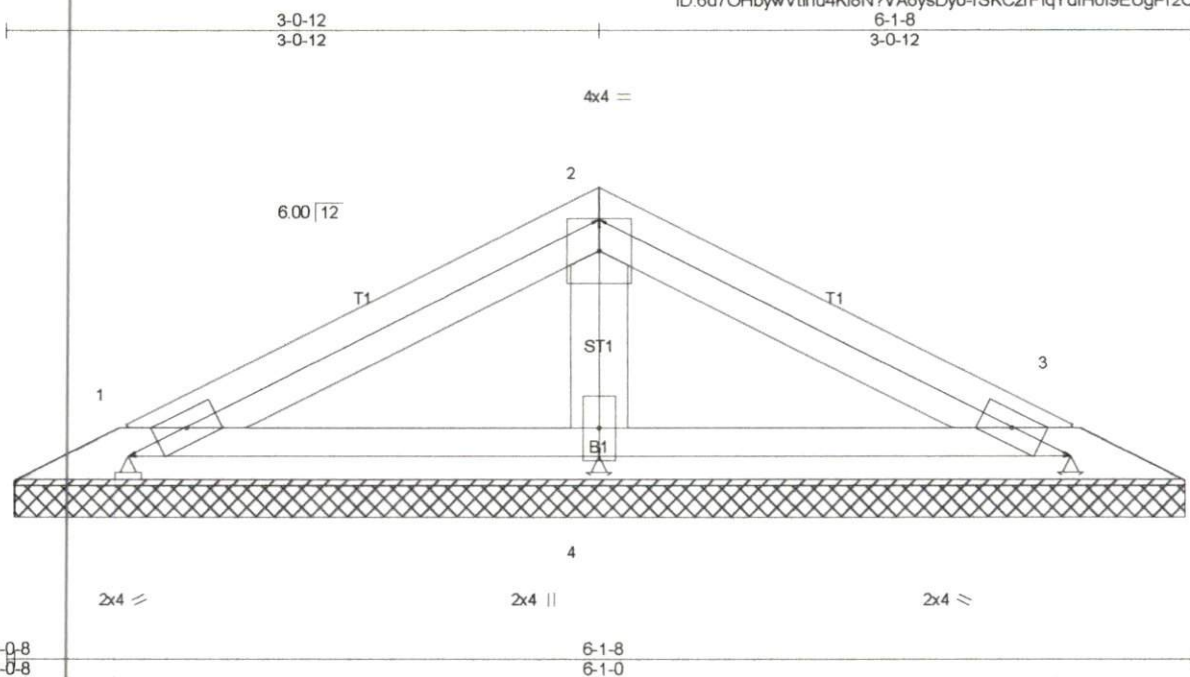
BRACING-
 TOP CHORD Structural wood sheathing directly applied or 6-0-0 oc purlins.
 BOT CHORD Rigid ceiling directly applied or 10-0-0 oc bracing.

REACTIONS. All bearings 26-0-0.
 (lb) - Max Horz 2=173(LC 16)
 Max Uplift All uplift 100 lb or less at joint(s) 2, 24, 26, 27, 28, 22, 21, 20, 19, 16 except 29=118(LC 12), 18=117(LC 13)
 Max Grav All reactions 250 lb or less at joint(s) 2, 24, 26, 27, 28, 29, 22, 21, 20, 19, 18, 16 except 23=251(LC 22)

FORCES. (lb) - Max. Comp./Max. Ten. - All forces 250 (lb) or less except when shown.
 TOP CHORD 8-9=-111/309, 9-10=-111/309

- NOTES-** (10-11)
- 1) Unbalanced roof live loads have been considered for this design.
 - 2) Wind: ASCE 7-16; Vult=130mph (3-second gust) Vasd=103mph; TCDL=6.0psf; BCDL=6.0psf; h=35ft; Cat. II; Exp C; Enclosed; MWFRS (envelope) gable end zone and C-C Corner(3E) -1-4-0 to 1-8-0, Exterior(2N) 1-8-0 to 13-0-0, Corner(3R) 13-0-0 to 16-0-0, Exterior(2N) 16-0-0 to 27-4-0 zone; cantilever left and right exposed; end vertical left and right exposed; C-C for members and forces & MWFRS for reactions shown; Lumber DOL=1.33 plate grip DOL=1.33
 - 3) Truss designed for wind loads in the plane of the truss only. For studs exposed to wind (normal to the face), see Truswood standard detail "Gable BR-1" for bracing information.
 - 4) Gable requires continuous bottom chord bearing.
 - 5) Gable studs spaced at 2-0-0 oc.
 - 6) This truss has been designed for a 10.0 psf bottom chord live load nonconcurrent with any other live loads.
 - 7) * This truss has been designed for a live load of 20.0psf on the bottom chord in all areas where a rectangle 3-6-0 tall by 1-0-0 wide will fit between the bottom chord and any other members, with BCDL = 10.0psf.
 - 8) Provide mechanical connection (by others) of truss to bearing plate capable of withstanding 100 lb uplift at joint(s) 2, 24, 26, 27, 28, 22, 21, 20, 19, 16 except (jt=lb) 29=118, 18=117.
 - 9) This truss is designed in accordance with the 2018 International Residential Code sections R502.11.1 and R802.10.2 and referenced standard ANSI/TPI 1.
 - 10) If Southern Pine (SP or SPP) lumber is specified, the design values are those effective 06/01/2012 by ALSC or proposed by SPIB.

LOAD CASE(S) Standard



Scale: 1"=6'

| LOADING (psf) | SPACING- | CSI. | DEFL. | in (loc) | l/defl | L/d | PLATES | GRIP |
|---------------|----------------------|----------|----------|----------|--------|-----|---------------|----------|
| TCLL 20.0 | 2-0-0 | TC 0.21 | Vert(LL) | n/a | - | n/a | MT20 | 244/190 |
| TCDL 10.0 | Plate Grip DOL 1.15 | BC 0.06 | Vert(CT) | n/a | - | n/a | | |
| BCLL 0.0 * | Lumber DOL 1.15 | WB 0.07 | Horz(CT) | 0.00 | 3 | n/a | | |
| BCDL 10.0 | Rep Stress Incr YES | Matrix-P | | | | | Weight: 18 lb | FT = 20% |
| | Code IRC2018/TPI2014 | | | | | | | |

LUMBER-
 TOP CHORD 2x4 SP No.2
 BOT CHORD 2x4 SP No.2
 OTHERS 2x4 SP No.3

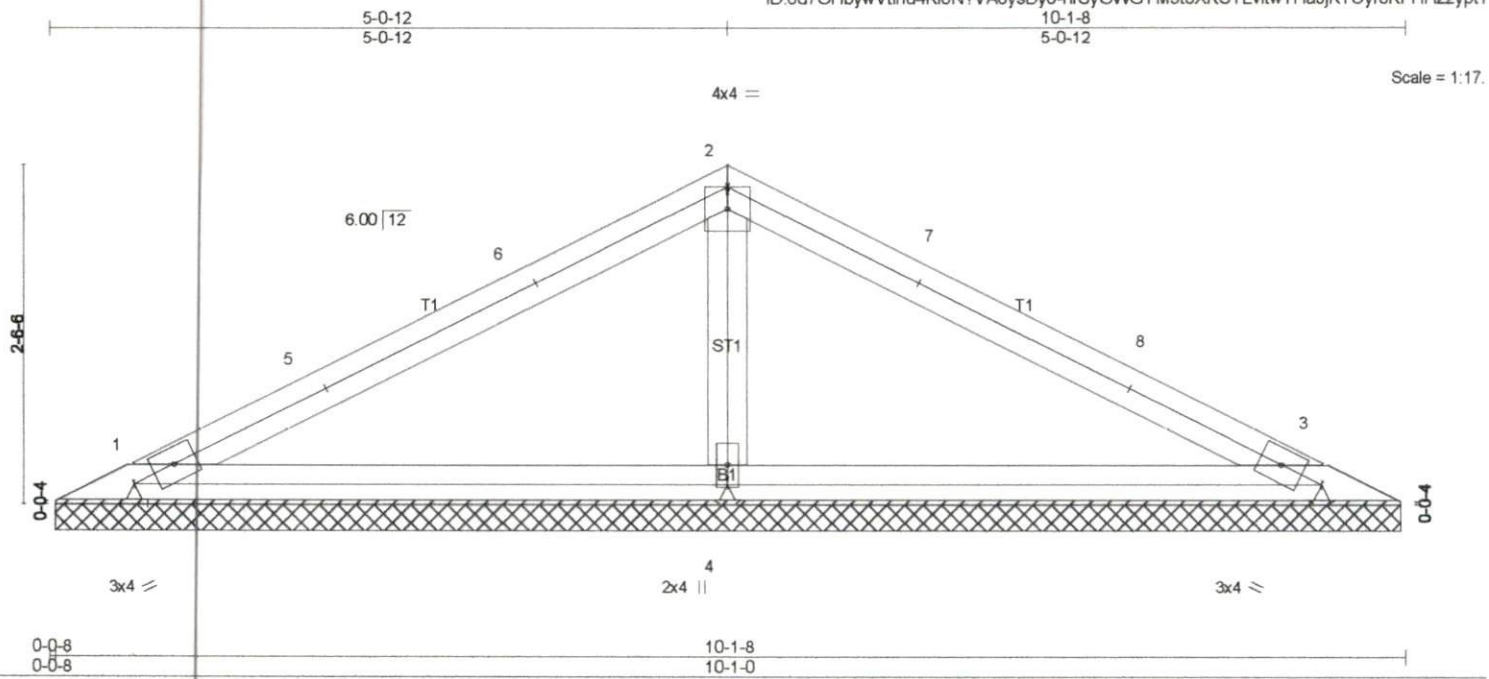
BRACING-
 TOP CHORD Structural wood sheathing directly applied or 6-0-0 oc purlins.
 BOT CHORD Rigid ceiling directly applied or 10-0-0 oc bracing.

REACTIONS. (lb/size) 1=99/6-0-8 (min. 0-1-8), 3=99/6-0-8 (min. 0-1-8), 4=192/6-0-8 (min. 0-1-8)
 Max Horz 1=-30(LC 13)
 Max Uplift 1=-45(LC 12), 3=-51(LC 13), 4=-29(LC 12)

FORCES. (lb) - Max. Comp./Max. Ten. - All forces 250 (lb) or less except when shown.

- NOTES-** (8-9)
- 1) Unbalanced roof live loads have been considered for this design.
 - 2) Wind: ASCE 7-16; Vult=130mph (3-second gust) Vasd=103mph; TCDL=6.0psf; BCDL=6.0psf; h=35ft; Cat. II; Exp C; Enclosed; MWFRS (envelope) gable end zone and C-C Exterior(2E) zone; cantilever left and right exposed; end vertical left and right exposed; C-C for members and forces & MWFRS for reactions shown; Lumber DOL=1.33 plate grip DOL=1.33
 - 3) Gable requires continuous bottom chord bearing.
 - 4) This truss has been designed for a 10.0 psf bottom chord live load nonconcurrent with any other live loads.
 - 5) * This truss has been designed for a live load of 20.0psf on the bottom chord in all areas where a rectangle 3-6-0 tall by 1-0-0 wide will fit between the bottom chord and any other members.
 - 6) Provide mechanical connection (by others) of truss to bearing plate capable of withstanding 100 lb uplift at joint(s) 1, 3, 4.
 - 7) This truss is designed in accordance with the 2018 International Residential Code sections R502.11.1 and R802.10.2 and referenced standard ANSI/TPI 1.
 - 8) If Southern Pine (SP or SPp) lumber is specified, the design values are those effective 06/01/2012 by ALSC or proposed by SPIB.

LOAD CASE(S) Standard



Scale = 1:17.

| | | | | | |
|----------------------|----------------------|-------------|-------------------------|---------------|-------------|
| LOADING (psf) | SPACING- | CSI. | DEFL. | PLATES | GRIP |
| TCLL 20.0 | 2-0-0 | TC 0.32 | in (loc) l/defl L/d | MT20 | 244/190 |
| TCDL 10.0 | Plate Grip DOL 1.15 | BC 0.28 | Vert(LL) n/a - n/a 999 | | |
| BCLL 0.0 * | Lumber DOL 1.15 | WB 0.09 | Vert(CT) n/a - n/a 999 | | |
| BCDL 10.0 | Rep Stress Incr YES | Matrix-SH | Horz(CT) 0.00 3 n/a n/a | | |
| | Code IRC2018/TPI2014 | | | Weight: 33 lb | FT = 20% |

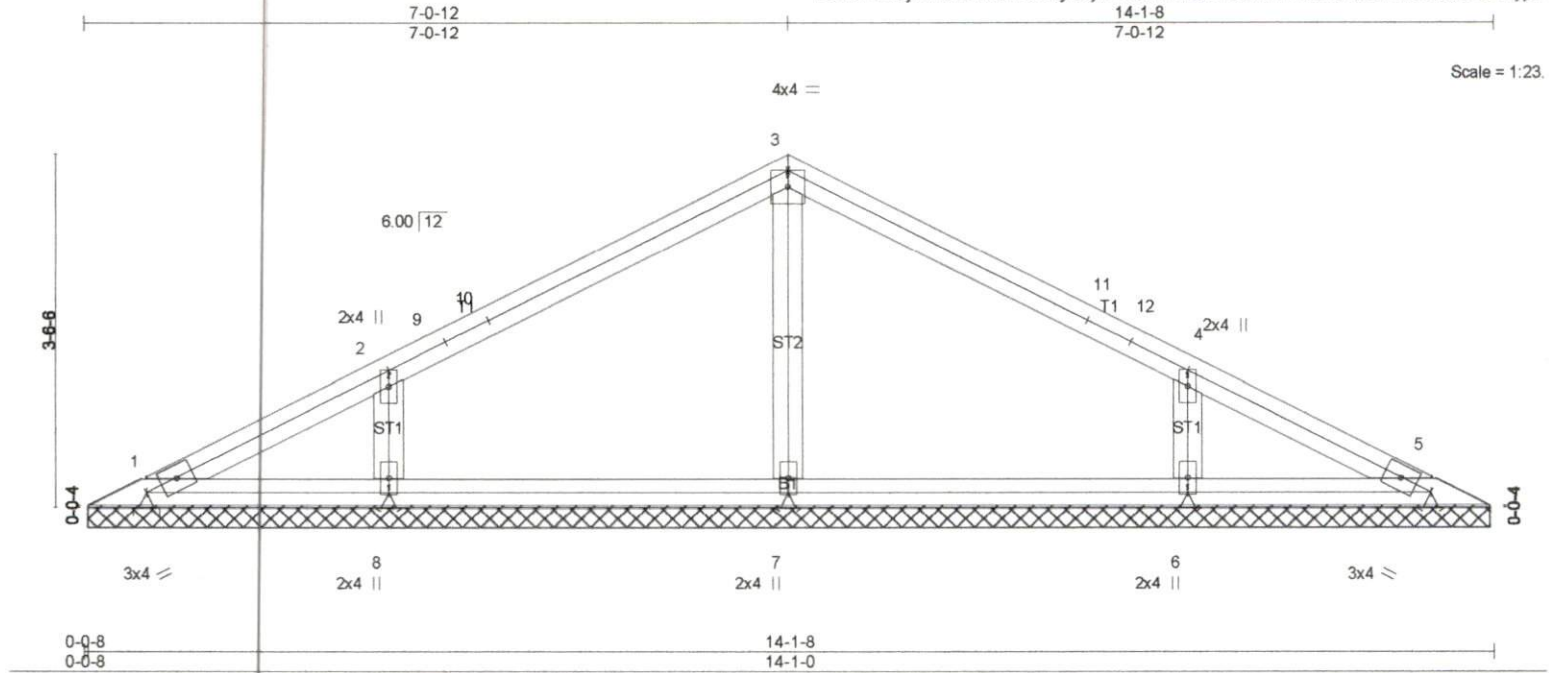
| | |
|-----------------------|---|
| LUMBER- | BRACING- |
| TOP CHORD 2x4 SP No.2 | TOP CHORD Structural wood sheathing directly applied or 6-0-0 oc purlins. |
| BOT CHORD 2x4 SP No.2 | BOT CHORD Rigid ceiling directly applied or 10-0-0 oc bracing. |
| OTHERS 2x4 SP No.3 | |

REACTIONS. (lb/size) 1=159/10-0-8 (min. 0-1-8), 3=159/10-0-8 (min. 0-1-8), 4=392/10-0-8 (min. 0-1-8)
 Max Horz 1=54(LC 12)
 Max Uplift 1=65(LC 12), 3=-75(LC 13), 4=-86(LC 12)
 Max Grav 1=162(LC 25), 3=162(LC 26), 4=392(LC 1)

FORCES. (lb) - Max. Comp./Max. Ten. - All forces 250 (lb) or less except when shown.

- NOTES-** (8-9)
- Unbalanced roof live loads have been considered for this design.
 - Wind: ASCE 7-16; Vult=130mph (3-second gust) Vasd=103mph; TCCL=6.0psf; BCDL=6.0psf; h=35ft; Cat. II; Exp C; Enclosed; MWFRS (envelope) gable end zone and C-C Exterior(2E) 0-7-9 to 3-7-9, Interior(1) 3-7-9 to 5-0-12, Exterior(2R) 5-0-12 to 8-0-12, Interior(1) 8-0-12 to 9-5-15 zone; cantilever left and right exposed; end vertical left and right exposed; C-C for members and forces & MWFRS for reactions shown; Lumber DOL=1.33 plate grip DOL=1.33
 - Gable requires continuous bottom chord bearing.
 - This truss has been designed for a 10.0 psf bottom chord live load nonconcurrent with any other live loads.
 - * This truss has been designed for a live load of 20.0psf on the bottom chord in all areas where a rectangle 3-6-0 tall by 1-0-0 wide will fit between the bottom chord and any other members.
 - Provide mechanical connection (by others) of truss to bearing plate capable of withstanding 100 lb uplift at joint(s) 1, 3, 4.
 - This truss is designed in accordance with the 2018 International Residential Code sections R502.11.1 and R802.10.2 and referenced standard ANSI/TPI 1.
 - If Southern Pine (SP or SPp) lumber is specified, the design values are those effective 06/01/2012 by ALSC or proposed by SPIB.

LOAD CASE(S) Standard



Scale = 1:23

| LOADING (psf) | SPACING- | CSI. | DEFL. | PLATES | GRIP |
|---------------|----------------------|-----------|-------------------------|---------------|----------|
| TCLL 20.0 | 2-0-0 | TC 0.22 | in (loc) l/defl L/d | MT20 | 244/190 |
| TCDL 10.0 | Plate Grip DOL 1.15 | BC 0.12 | Vert(LL) n/a - n/a 999 | | |
| BCLL 0.0 * | Lumber DOL 1.15 | WB 0.10 | Vert(CT) n/a - n/a 999 | | |
| BCDL 10.0 | Rep Stress Incr YES | Matrix-SH | Horz(CT) 0.00 5 n/a n/a | | |
| | Code IRC2018/TPI2014 | | | Weight: 50 lb | FT = 20% |

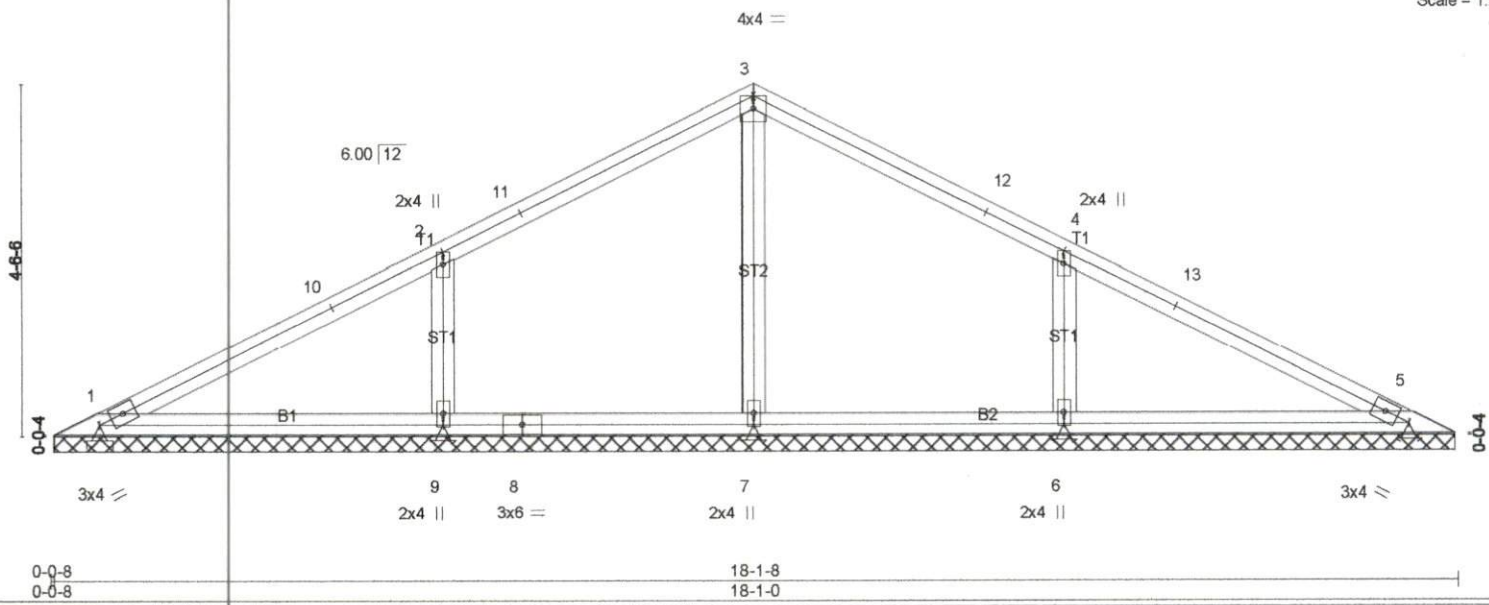
| LUMBER- | BRACING- |
|-----------------------|---|
| TOP CHORD 2x4 SP No.2 | TOP CHORD Structural wood sheathing directly applied or 6-0-0 oc purlins. |
| BOT CHORD 2x4 SP No.2 | BOT CHORD Rigid ceiling directly applied or 10-0-0 oc bracing. |
| OTHERS 2x4 SP No.3 | |

REACTIONS. All bearings 14-0-8.
 (lb) - Max Horz 1=78(LC 12)
 Max Uplift All uplift 100 lb or less at joint(s) 1, 5, 7 except 8=-187(LC 12), 6=-187(LC 13)
 Max Grav All reactions 250 lb or less at joint(s) 1, 5 except 7=284(LC 1), 8=310(LC 25), 6=310(LC 26)

FORCES. (lb) - Max. Comp/Max. Ten. - All forces 250 (lb) or less except when shown.
WEBS 2-8=-239/287, 4-6=-239/287

- NOTES-** (8-9)
- Unbalanced roof live loads have been considered for this design.
 - Wind: ASCE 7-16; Vult=130mph (3-second gust) Vasd=103mph; TCDL=6.0psf; BCDL=6.0psf; h=35ft; Cat. II; Exp C; Enclosed; MWFRS (envelope) gable end zone and C-C Exterior(2E) 0-7-9 to 3-7-9, Interior(1) 3-7-9 to 7-0-12, Exterior(2R) 7-0-12 to 10-0-12, Interior(1) 10-0-12 to 13-5-15 zone; cantilever left and right exposed; end vertical left and right exposed; C-C for members and forces & MWFRS for reactions shown; Lumber DOL=1.33 plate grip DOL=1.33
 - Gable requires continuous bottom chord bearing.
 - This truss has been designed for a 10.0 psf bottom chord live load nonconcurrent with any other live loads.
 - * This truss has been designed for a live load of 20.0psf on the bottom chord in all areas where a rectangle 3-6-0 tall by 1-0-0 wide will fit between the bottom chord and any other members.
 - Provide mechanical connection (by others) of truss to bearing plate capable of withstanding 100 lb uplift at joint(s) 1, 5, 7 except (jt=lb) 8=187, 6=187.
 - This truss is designed in accordance with the 2018 International Residential Code sections R502.11.1 and R802.10.2 and referenced standard ANSI/TPI 1.
 - If Southern Pine (SP or SPp) lumber is specified, the design values are those effective 06/01/2012 by ALSC or proposed by SPIB.

LOAD CASE(S) Standard



| LOADING (psf) | SPACING- | CSI. | DEFL. | PLATES | GRIP |
|---------------|----------------------|-----------|-------------------------|---------------|----------|
| TCLL 20.0 | 2-0-0 | TC 0.26 | in (loc) l/defl L/d | MT20 | 244/190 |
| TCDL 10.0 | Plate Grip DOL 1.15 | BC 0.15 | Vert(LL) n/a - n/a 999 | | |
| BCLL 0.0 * | Lumber DOL 1.15 | WB 0.10 | Vert(CT) n/a - n/a 999 | | |
| BCDL 10.0 | Rep Stress Incr YES | Matrix-SH | Horz(CT) 0.00 5 n/a n/a | | |
| | Code IRC2018/TPI2014 | | | Weight: 67 lb | FT = 20% |

LUMBER-
 TOP CHORD 2x4 SP No.2
 BOT CHORD 2x4 SP No.2
 OTHERS 2x4 SP No.3

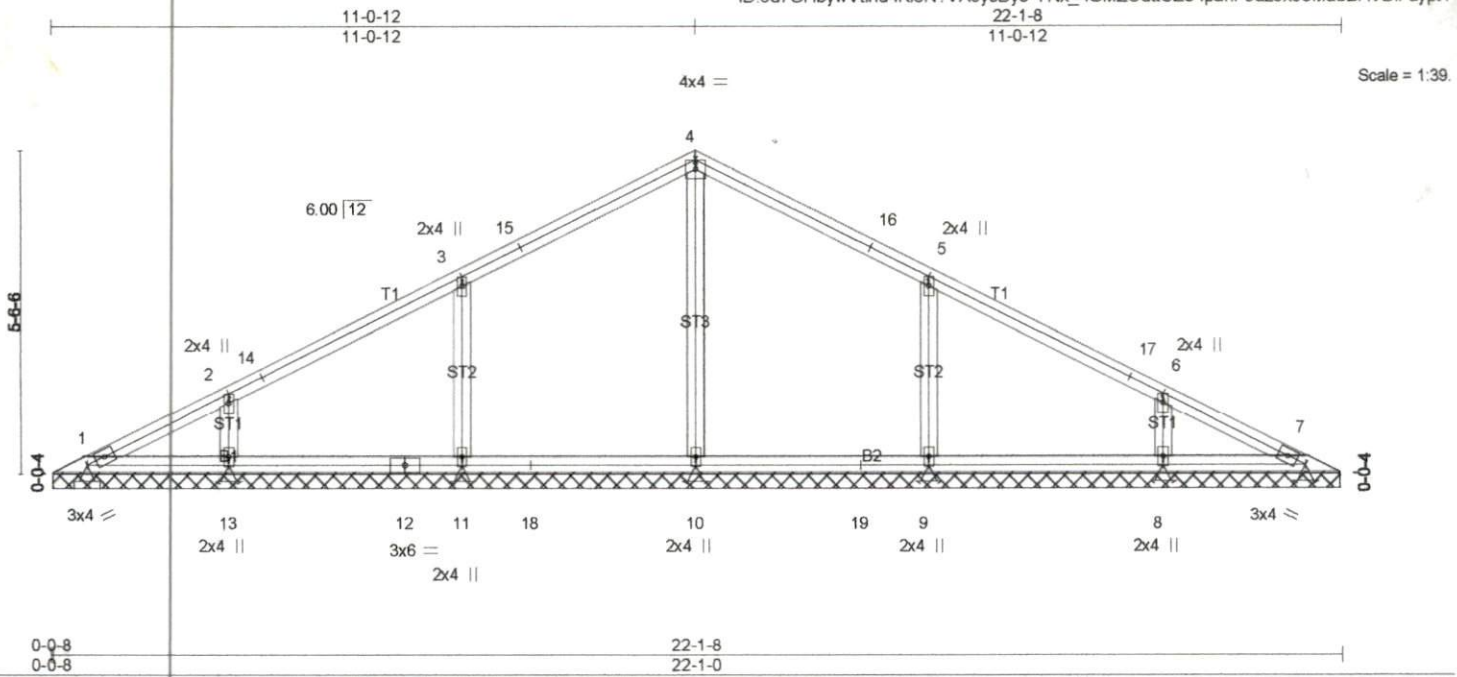
BRACING-
 TOP CHORD Structural wood sheathing directly applied or 6-0-0 oc purlins.
 BOT CHORD Rigid ceiling directly applied or 10-0-0 oc bracing.

REACTIONS. All bearings 18-0-8.
 (lb) - Max Horz 1=102(LC 16)
 Max Uplift All uplift 100 lb or less at joint(s) 1, 5 except 9=240(LC 12), 6=239(LC 13)
 Max Grav All reactions 250 lb or less at joint(s) 1, 5, 7 except 9=408(LC 25), 6=408(LC 26)

FORCES. (lb) - Max. Comp./Max. Ten. - All forces 250 (lb) or less except when shown.
WEBS 2-9=-296/293, 4-6=-296/293

- NOTES-** (8-9)
- Unbalanced roof live loads have been considered for this design.
 - Wind: ASCE 7-16; Vult=130mph (3-second gust) Vasd=103mph; TCCL=6.0psf; BCCL=6.0psf; h=35ft; Cat. II; Exp C; Enclosed; MWFRS (envelope) gable end zone and C-C Exterior(2E) 0-7-9 to 3-7-9, Interior(1) 3-7-9 to 9-0-12, Exterior(2R) 9-0-12 to 12-0-12, Interior(1) 12-0-12 to 17-5-15 zone; cantilever left and right exposed; end vertical left and right exposed; C-C for members and forces & MWFRS for reactions shown; Lumber DOL=1.33 plate grip DOL=1.33
 - Gable requires continuous bottom chord bearing.
 - This truss has been designed for a 10.0 psf bottom chord live load nonconcurrent with any other live loads.
 - * This truss has been designed for a live load of 20.0psf on the bottom chord in all areas where a rectangle 3-6-0 tall by 1-0-0 wide will fit between the bottom chord and any other members.
 - Provide mechanical connection (by others) of truss to bearing plate capable of withstanding 100 lb uplift at joint(s) 1, 5 except (jt=lb) 9=240, 6=239.
 - This truss is designed in accordance with the 2018 International Residential Code sections R502.11.1 and R802.10.2 and referenced standard ANSI/TPI 1.
 - If Southern Pine (SP or SPp) lumber is specified, the design values are those effective 06/01/2012 by ALSC or proposed by SPIB.

LOAD CASE(S) Standard



| | | | | | |
|----------------------|-----------------------|-------------|----------------------------------|---------------|-------------|
| LOADING (psf) | SPACING- 2-0-0 | CSI. | DEFL. in (loc) l/defl L/d | PLATES | GRIP |
| TCLL 20.0 | Plate Grip DOL 1.15 | TC 0.20 | Vert(LL) n/a - n/a 999 | MT20 | 244/190 |
| TCDL 10.0 | Lumber DOL 1.15 | BC 0.17 | Vert(CT) n/a - n/a 999 | | |
| BCLL 0.0 * | Rep Stress Incr YES | WB 0.10 | Horz(CT) 0.00 7 n/a n/a | | |
| BCDL 10.0 | Code IRC2018/TPI2014 | Matrix-SH | | Weight: 87 lb | FT = 20% |

LUMBER-
 TOP CHORD 2x4 SP No.2
 BOT CHORD 2x4 SP No.2
 OTHERS 2x4 SP No.3

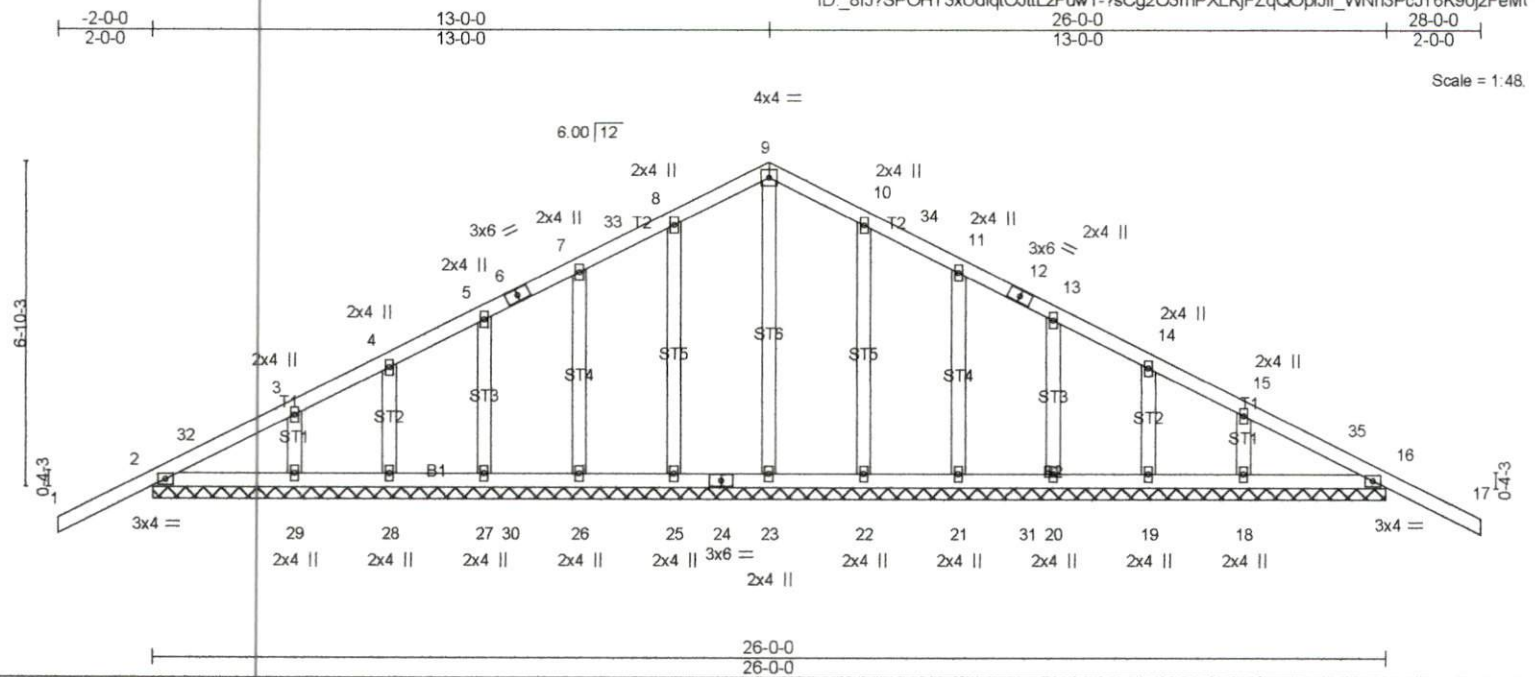
BRACING-
 TOP CHORD Structural wood sheathing directly applied or 6-0-0 oc purlins.
 BOT CHORD Rigid ceiling directly applied or 10-0-0 oc bracing.

REACTIONS. All bearings 22-0-8.
 (lb) - Max Horz 1=126(LC 16)
 Max Uplift All uplift 100 lb or less at joint(s) 1 except 11=-206(LC 12), 13=-160(LC 12), 9=-206(LC 13), 8=-160(LC 13)
 Max Grav All reactions 250 lb or less at joint(s) 1, 7 except 10=372(LC 19), 11=348(LC 25), 13=282(LC 1), 9=348(LC 26), 8=282(LC 1)

FORCES. (lb) - Max. Comp. Max. Ten. - All forces 250 (lb) or less except when shown.
WEBS 3-11=-267/256, 5-9=-267/256

- NOTES-** (8-9)
- Unbalanced roof live loads have been considered for this design.
 - Wind: ASCE 7-16; Vult=130mph (3-second gust) Vasd=103mph; TCDL=6.0psf; BCDL=6.0psf; h=35ft; Cat. II; Exp C; Enclosed; MWFRS (envelope) gable end zone and C-C Exterior(2E) 0-7-9 to 3-7-9, Interior(1) 3-7-9 to 11-0-12, Exterior(2R) 11-0-12 to 14-0-12, Interior(1) 14-0-12 to 21-5-15 zone; cantilever left and right exposed; end vertical left and right exposed; C-C for members and forces & MWFRS for reactions shown; Lumber DOL=1.33 plate grip DOL=1.33
 - Gable requires continuous bottom chord bearing.
 - This truss has been designed for a 10.0 psf bottom chord live load nonconcurrent with any other live loads.
 - * This truss has been designed for a live load of 20.0psf on the bottom chord in all areas where a rectangle 3-6-0 tall by 1-0-0 wide will fit between the bottom chord and any other members, with BCDL = 10.0psf.
 - Provide mechanical connection (by others) of truss to bearing plate capable of withstanding 100 lb uplift at joint(s) 1 except (jt=lb) 11=206, 13=160, 9=206, 8=160.
 - This truss is designed in accordance with the 2018 International Residential Code sections R502.11.1 and R802.10.2 and referenced standard ANSI/TPI 1.
 - If Southern Pine (SP or Sfp) lumber is specified, the design values are those effective 06/01/2012 by ALSC or proposed by SPIB.

LOAD CASE(S) Standard



Scale = 1:48

| LOADING (psf) | SPACING- | CSI. | DEFL. | PLATES | GRIP |
|---------------|----------------------|-----------|---------------------------|----------------|----------|
| TCLL 20.0 | 2-0-0 | TC 0.28 | in (loc) l/defl L/d | MT20 | 244/190 |
| TCDL 10.0 | Plate Grip DOL 1.15 | BC 0.13 | Vert(LL) -0.02 17 n/r 120 | | |
| BCLL 0.0 * | Lumber DOL 1.15 | WB 0.11 | Vert(CT) -0.03 17 n/r 120 | | |
| BCDL 10.0 | Rep Stress Incr YES | Matrix-SH | Horz(CT) 0.01 16 n/a n/a | | |
| | Code IRC2018/TPI2014 | | | Weight: 147 lb | FT = 20% |

LUMBER-
 TOP CHORD 2x4 SP No.2
 BOT CHORD 2x4 SP No.2
 OTHERS 2x4 SP No.3

BRACING-
 TOP CHORD Structural wood sheathing directly applied or 6-0-0 oc purlins.
 BOT CHORD Rigid ceiling directly applied or 10-0-0 oc bracing.

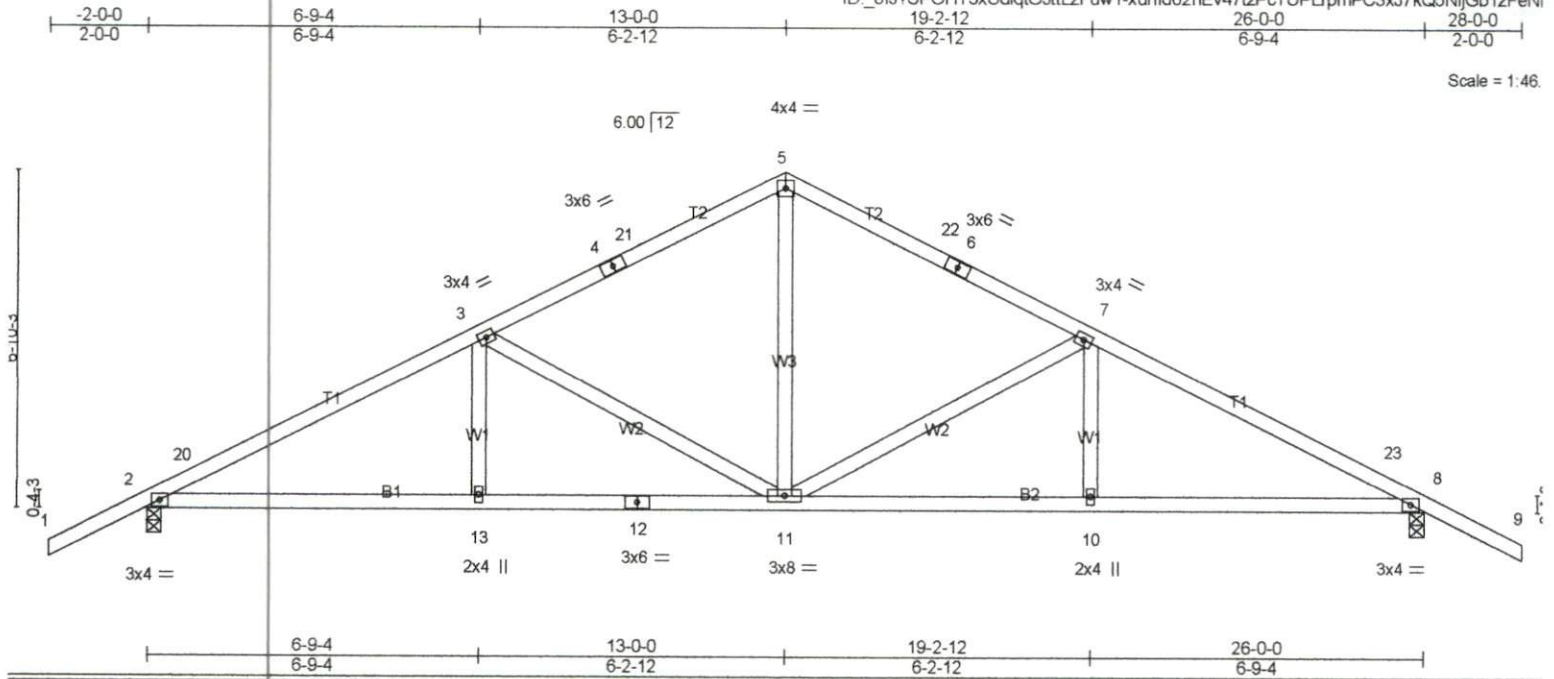
MiTek recommends that Stabilizers and required cross bracing be installed during truss erection, in accordance with Stabilizer Installation guide.

REACTIONS. All bearings 26-0-0.
 (lb) - Max Horz 2=131(LC 12)
 Max Uplift All uplift 100 lb or less at joint(s) 2, 16, 25, 26, 27, 28, 29, 22, 21, 20, 19, 18
 Max Grav All reactions 250 lb or less at joint(s) 23, 25, 26, 27, 28, 29, 22, 21, 20, 19, 18 except 2=276(LC 1), 16=276(LC 1)

FORCES. (lb) - Max. Comp/Max. Ten. - All forces 250 (lb) or less except when shown.

- NOTES-** (10-11)
- Unbalanced roof live loads have been considered for this design.
 - Wind: ASCE 7-16; Vult=130mph (3-second gust) Vasd=103mph; TC DL=6.0psf; BCDL=6.0psf; h=35ft; Cat. II; Exp B; Enclosed; MWFRS (envelope) gable end zone and C-C Exterior(2E) -2-0-0 to 1-0-0, Interior(1) 1-0-0 to 13-0-0, Exterior(2R) 13-0-0 to 16-0-0, Interior(1) 16-0-0 to 28-0-0 zone; cantilever left and right exposed; end vertical left and right exposed; C-C for members and forces & MWFRS for reactions shown; Lumber DOL=1.33 plate grip DOL=1.33
 - Truss designed for wind loads in the plane of the truss only. For studs exposed to wind (normal to the face), see Truswood standard detail "Gable BR-1" for bracing information.
 - Gable requires continuous bottom chord bearing.
 - Gable studs spaced at 2-0-0 oc.
 - This truss has been designed for a 10.0 psf bottom chord live load nonconcurrent with any other live loads.
 - * This truss has been designed for a live load of 20.0psf on the bottom chord in all areas where a rectangle 3-6-0 tall by 1-0-0 wide will fit between the bottom chord and any other members, with BCDL = 10.0psf.
 - Provide mechanical connection (by others) of truss to bearing plate capable of withstanding 100 lb uplift at joint(s) 2, 16, 25, 26, 27, 28, 29, 22, 21, 20, 19, 18.
 - This truss is designed in accordance with the 2018 International Residential Code sections R502.11.1 and R802.10.2 and referenced standard ANSI/TPI 1.
 - If Southern Pine (SP or SPP) lumber is specified, the design values are those effective 06/01/2012 by ALSC or proposed by SPIB.

LOAD CASE(S) Standard



| | | | | | |
|----------------------|-----------------------|-------------|----------------------------------|---------------|-------------------------|
| LOADING (psf) | SPACING- 2-0-0 | CSI. | DEFL. in (loc) l/defl L/d | PLATES | GRIP |
| TCLL 20.0 | Plate Grip DOL 1.15 | TC 0.52 | Vert(LL) -0.07 11 >999 240 | MT20 | 244/190 |
| TCDL 10.0 | Lumber DOL 1.15 | BC 0.59 | Vert(CT) -0.16 11-13 >999 180 | | |
| BCLL 0.0 * | Rep Stress Incr YES | WB 0.60 | Horz(CT) 0.06 8 n/a n/a | | |
| BCDL 10.0 | Code IRC2018/TPI2014 | Matrix-MSH | | | Weight: 128 lb FT = 20% |

LUMBER-
 TOP CHORD 2x4 SP No.2
 BOT CHORD 2x4 SP No.2
 WEBS 2x4 SP No.3

BRACING-
 TOP CHORD Structural wood sheathing directly applied or 3-10-0 oc purlins.
 BOT CHORD Rigid ceiling directly applied or 10-0-0 oc bracing.

MiTek recommends that Stabilizers and required cross bracing be installed during truss erection, in accordance with Stabilizer Installation guide.

REACTIONS. (lb/size) 2=1160/0-3-8 (min. 0-1-8), 8=1160/0-3-8 (min. 0-1-8)
 Max Horz 2=131(LC 12)
 Max Uplift 2=-189(LC 12), 8=-189(LC 13)

FORCES. (lb) - Max. Comp./Max. Ten. - All forces 250 (lb) or less except when shown.
 TOP CHORD 2-20=-1835/237, 3-20=-1822/270, 3-4=-1255/239, 4-21=-1168/242, 5-21=-1162/258,
 5-22=-1162/258, 6-22=-1169/242, 6-7=-1255/239, 7-23=-1822/270, 8-23=-1835/236
 BOT CHORD 2-13=-219/1575, 12-13=-219/1575, 11-12=-219/1575, 10-11=-139/1575, 8-10=-139/1575
 WEBS 5-11=-62/707, 7-11=-624/215, 7-10=0/273, 3-11=-624/214, 3-13=0/273

- NOTES- (7-8)**
- Unbalanced roof live loads have been considered for this design.
 - Wind: ASCE 7-16; Vult=130mph (3-second gust) Vasd=103mph; TCDL=6.0psf; BCDL=6.0psf; h=35ft; Cat. II; Exp B; Enclosed; MWFRS (envelope) gable end zone and C-C Exterior(2E) -2-0-0 to 1-0-0, Interior(1) 1-0-0 to 13-0-0, Exterior(2R) 13-0-0 to 16-0-0, Interior(1) 16-0-0 to 28-0-0 zone; cantilever left and right exposed; end vertical left and right exposed; C-C for members and forces & MWFRS for reactions shown; Lumber DOL=1.33 plate grip DOL=1.33
 - This truss has been designed for a 10.0 psf bottom chord live load nonconcurrent with any other live loads.
 - * This truss has been designed for a live load of 20.0psf on the bottom chord in all areas where a rectangle 3-6-0 tall by 1-0-0 wide will fit between the bottom chord and any other members.
 - Provide mechanical connection (by others) of truss to bearing plate capable of withstanding 100 lb uplift at joint(s) except (jt=lb) 2=189, 8=189.
 - This truss is designed in accordance with the 2018 International Residential Code sections R502.11.1 and R802.10.2 and referenced standard ANSI/TPI 1.
 - If Southern Pine (SP or SPP) lumber is specified, the design values are those effective 06/01/2012 by ALSC or proposed by SPIB.

LOAD CASE(S) Standard