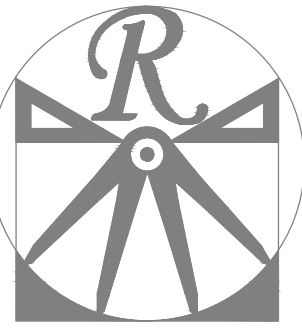


PLANS DESIGNED TO THE
2018 NORTH CAROLINA STATE
RESIDENTIAL BUILDING CODE.

LOT 7 MITCHELL MANOR
TBD WENDYWOOD LANE
ANGIER, NC 28301
3 CAR GARAGE

GENERAL NOTES

1. ALL WORK SHALL BE PERFORMED IN ACCORDANCE WITH ALL APPLICABLE NATIONAL, STATE, AND LOCAL CODES AND REGULATIONS.
2. CONTRACTOR SHALL THOROUGHLY REVIEW ALL SHEETS IN PLAN SET AND VERIFY ALL DETAILS AND DIMENSIONS BEFORE BEGINNING CONSTRUCTION. ANY DISCREPANCIES SHALL BE REPORTED TO RENAISSANCE RESIDENTIAL DESIGN, INC. FOR JUSTIFICATION AND/OR CORRECTION BEFORE PROCEEDING WITH WORK. CONTRACTORS SHALL ASSUME RESPONSIBILITY FOR ERRORS THAT ARE NOT REPORTED PRIOR TO CONSTRUCTION.
3. ALL DIMENSIONS SHOULD BE READ OR CALCULATED AND NEVER SCALED.
4. CONTRACTOR SHALL ENSURE COMPATIBILITY OF THE BUILDING WITH ALL SITE REQUIREMENTS.



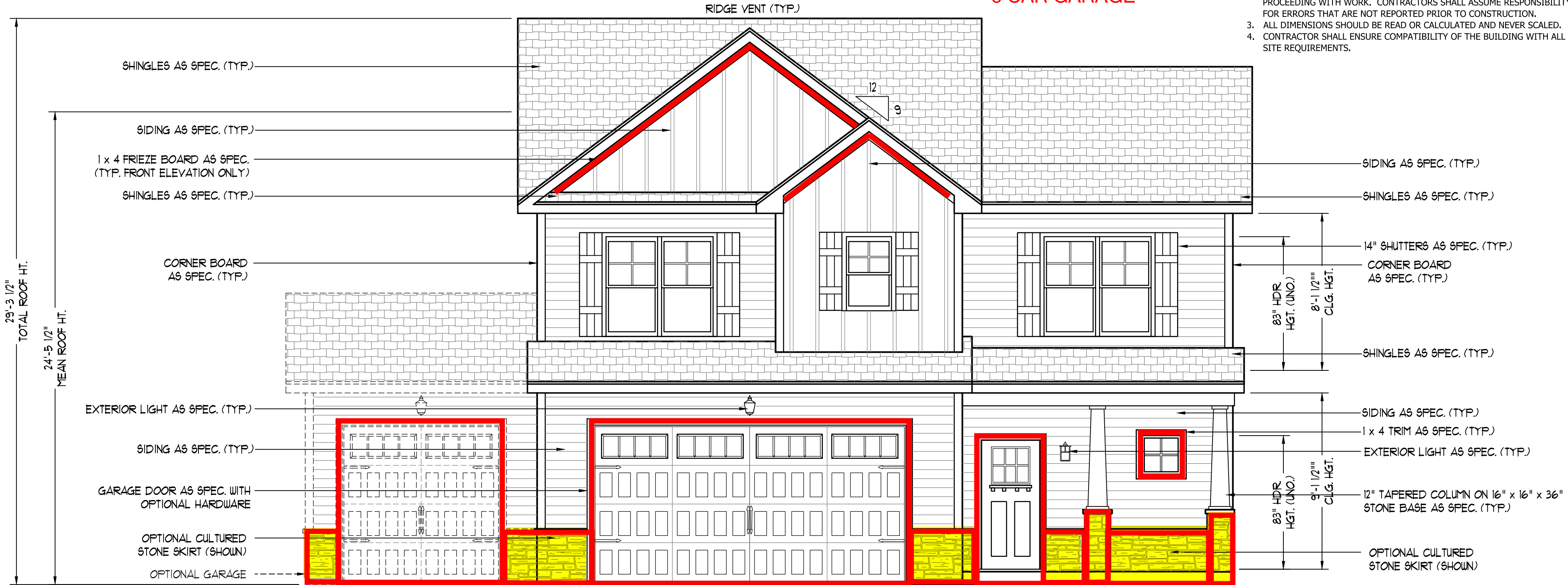
RENAISSANCE
RESIDENTIAL DESIGN, INC.
WILMINGTON, NC (919) 649-4128
WWW.RRDCAROLINA.COM
The art of transforming your vision into reality.

RENAISSANCE RESIDENTIAL DESIGN, INC. RESERVES THE RIGHT TO MAKE MODIFICATIONS TO FLOOR PLANS, DIMENSIONS, MATERIALS, AND SPECIFICATIONS WITHOUT NOTICE. THESE DRAWINGS ARE FOR THE PURPOSE OF CONVEYING AN ARCHITECTURAL CONCEPT ONLY.

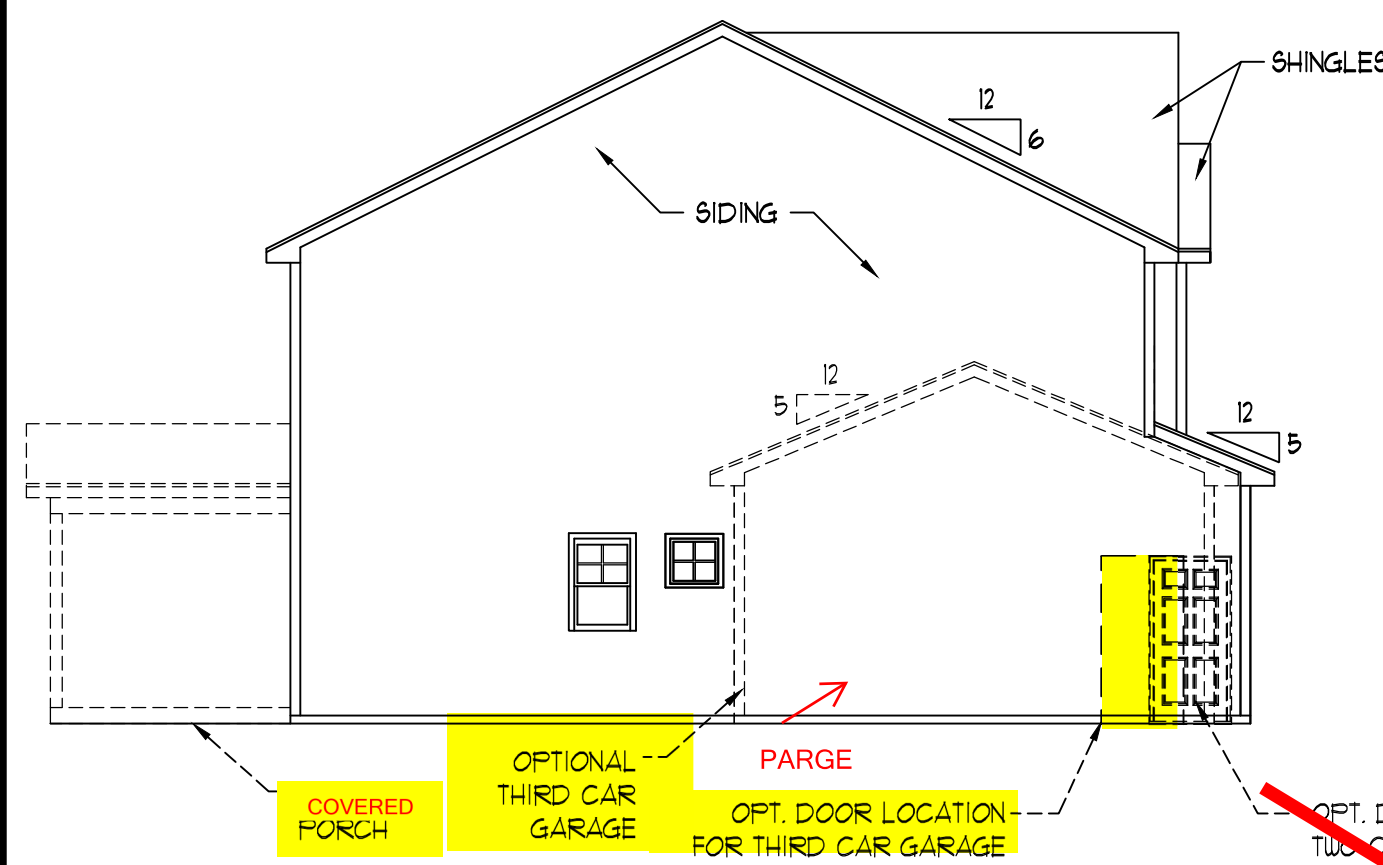
RENAISSANCE RESIDENTIAL DESIGN, INC. HEREBY EXPRESSLY RESERVES ITS COMMON LAW COPYRIGHT AND OTHER PROPERTY RIGHTS IN THESE PLANS. THESE PLANS AND DRAWINGS ARE NOT TO BE REPRODUCED, CHANGED, OR COPIED IN ANY FORM OR MANNER WITHOUT FIRST OBTAINING THE EXPRESS WRITTEN CONSENT OF RENAISSANCE RESIDENTIAL DESIGN, INC. NOR ARE THEY TO BE ASSIGNED TO ANY THIRD PARTY WITHOUT FIRST OBTAINING SAID WRITTEN PERMISSION AND CONSENT.

WEAVER
HOMES
3590 Waggoner Drive • Fayetteville, NC 28303
910.690.2190 • 800.892.2190
www.weaver-homes.com

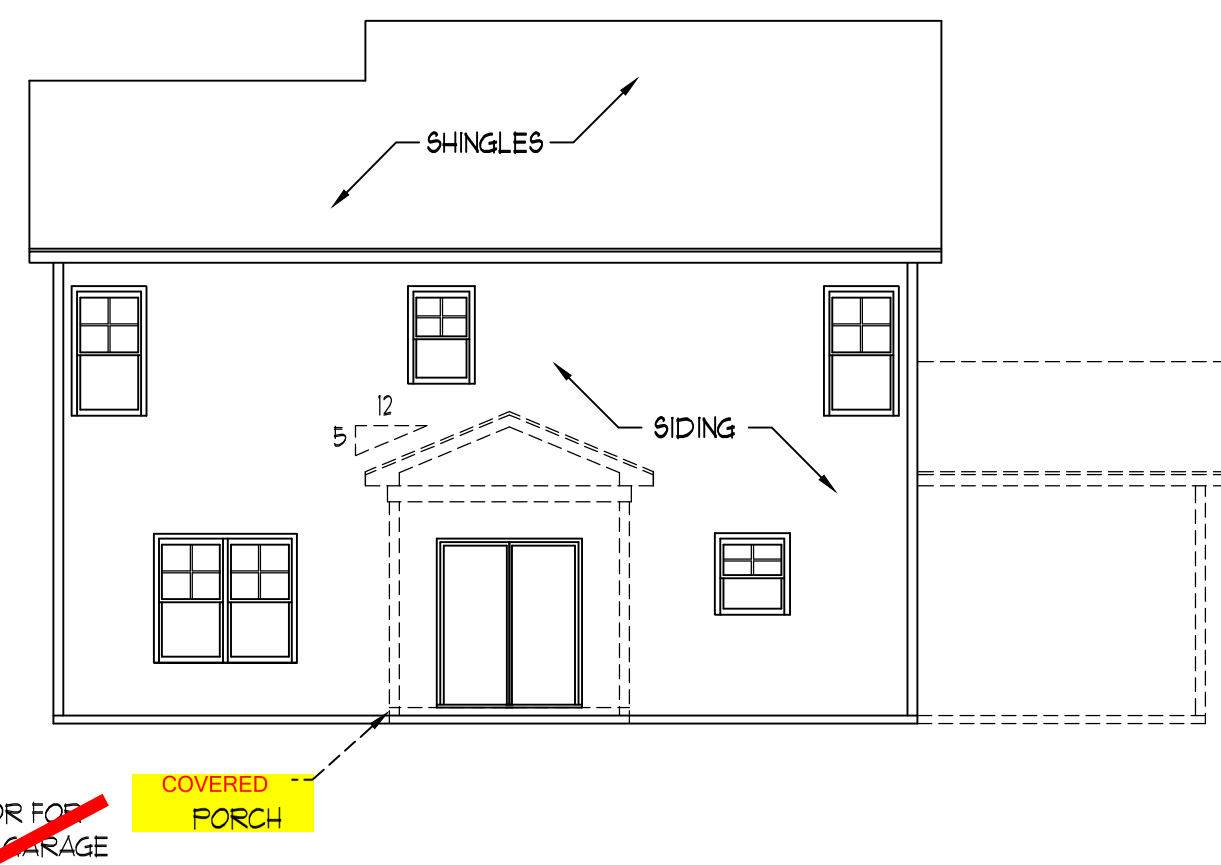
PLEASE PROMPTLY NOTIFY US OF ANY CHANGES, OPTIONS, FLOOR PLANS, ELEVATIONS, DESIGNS, MATERIALS AND DIMENSIONS ARE SUBJECT TO CHANGE WITHOUT NOTICE. SQUARE FOOTAGE AND DIMENSIONS ARE ESTIMATED AND HOUSE ONLY WILL BE DETERMINED BY THE SITE PLAN AND LOT PLAN. FLOOR PLANS AND ELEVATION RENDERINGS ARE ARTIST CONCEPTIONS. FLOOR PLANS ARE THE COPYRIGHTED PROPERTY OF WE AVER HOMES, INC. ALL RIGHTS RESERVED. PROHIBITED. SEE NEW HOME SALES CONSULTANT FOR CURRENT DETAILS. COPYRIGHT © 2020 WEAVER HOMES



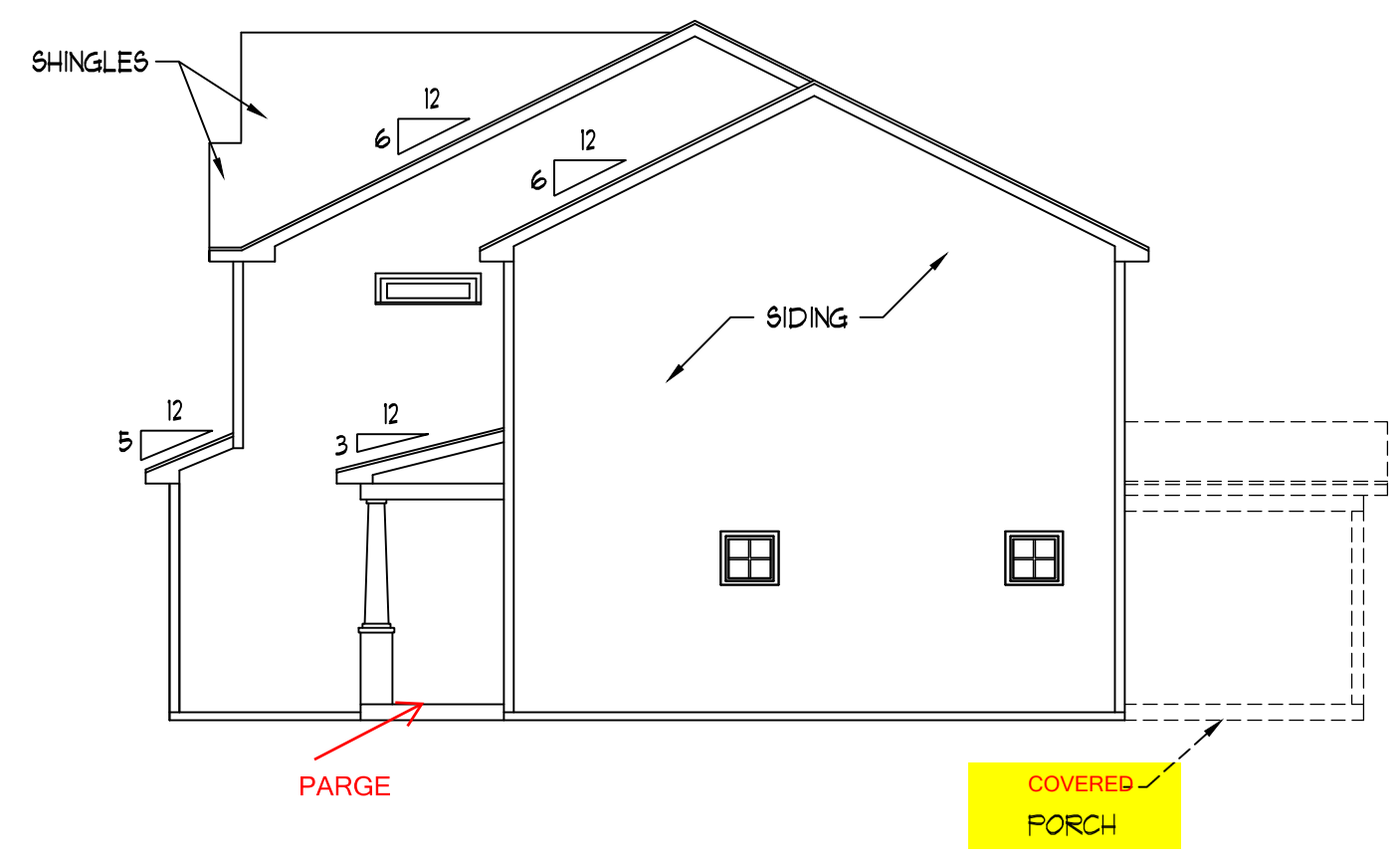
FRONT ELEVATION-B
SCALE: 1/4" = 1'-0"



LEFT ELEVATION
SCALE: 1/8" = 1'-0"



REAR ELEVATION
SCALE: 1/8" = 1'-0"



RIGHT ELEVATION
SCALE: 1/8" = 1'-0"

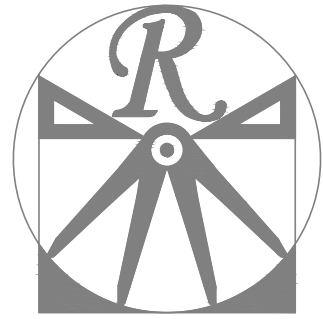
PLUMBING: DOUBLE J
ELECTRICAL: PIONEER
HVAC: TBD

WEAVER HOMES
CAROLINA COLLECTION
BRINKLEY

DATE: JUNE 22, 2021
REV.:
SCALE: AS NOTED
DRAWN BY: WG
ENGINEERED BY:
REVIEWED BY:

B - ELEVATIONS
A-2

SQUARE FOOTAGE (I.F.S.)	
1st FLOOR:	736 SQ. FT.
2nd FLOOR:	1120 SQ. FT.
TOTAL:	1856 SQ. FT.
GARAGE:	448 SQ. FT.
FRONT PORCH:	84 SQ. FT.
STD. REAR PATIO:	100 SQ. FT.
OPT. REAR PORCH:	100 SQ. FT.
OPT. THIRD CAR GARAGE:	224 SQ. FT.



RENAISSANCE

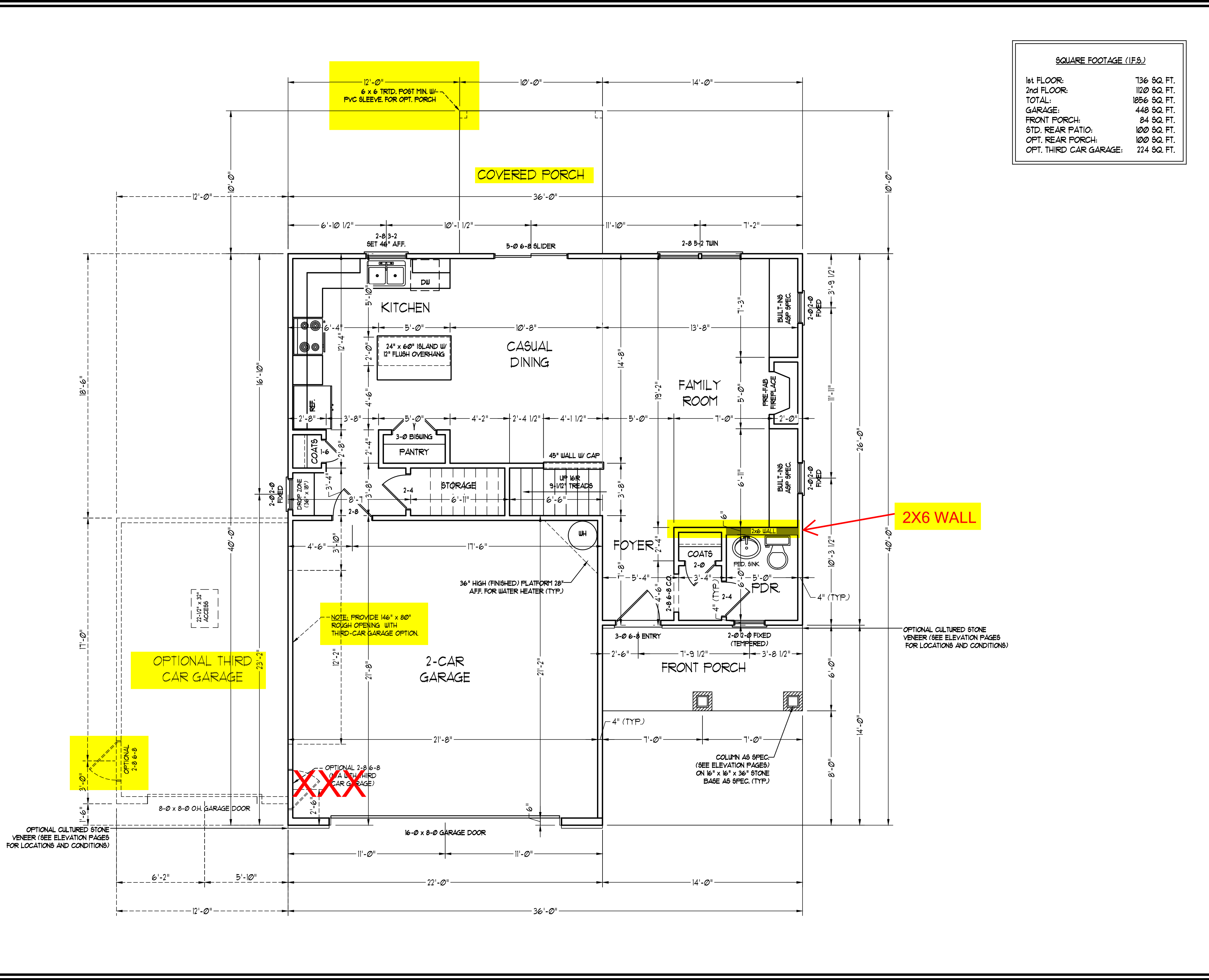
RESIDENTIAL DESIGN, INC.
WILMINGTON, NC (919) 649-4128
WWW.RRDCAROLINA.COM

The art of transforming your vision into reality.

RENAISSANCE RESIDENTIAL DESIGN, INC. HEREBY EXPRESSLY RESERVES ITS MODIFICATIONS TO FLOOR PLANS, DIMENSIONS, MATERIALS, AND SPECIFICATIONS WITHOUT NOTICE. THESE DRAWINGS ARE FOR THE PURPOSE OF CONVEYING AN ARCHITECTURAL CONCEPT ONLY.

RENAISSANCE RESIDENTIAL DESIGN, INC. HEREBY EXPRESSLY RESERVES ITS COMMON LAW COPYRIGHT AND OTHER PROPERTY RIGHTS IN THESE PLANS. THESE PLANS AND DRAWINGS ARE NOT TO BE REPRODUCED, CHANGED, OR COPIED IN ANY FORM OR MANNER WITHOUT FIRST OBTAINING THE EXPRESS WRITTEN CONSENT OF RENAISSANCE RESIDENTIAL DESIGN, INC. NOR ARE THEY TO BE ASSIGNED TO ANY THIRD PARTY WITHOUT FIRST OBTAINING SAID WRITTEN PERMISSION AND CONSENT.

PRICES, PROMOTIONS, INCENTIVES, FEATURES, OPTIONS, DIMENSIONS ARE SUBJECT TO CHANGE WITHOUT NOTICE. SQUARE FOOTAGE AND DIMENSIONS ARE ESTIMATED AND MAY VARY IN ACTUAL CONSTRUCTION. ACTUAL POSITION OF CLOSET PLAN, FLOOR PLANS AND ELEVATION HEADINGS ARE ARTIST CONCEPTIONS. FLOOR PLANS ARE THE COPYRIGHTED PROPERTY OF WESTMAN HOMES. ANY USE, REPRODUCTION, OR MODIFICATION OF THESE PLANS IS STRICTLY PROHIBITED. SEE NEW HOME SALES CONSULTANT FOR CURRENT DETAILS. COPYRIGHT © 2020 WESTMAN HOMES



2X6 WALL

OPTIONAL THIRD CAR GARAGE

NOTE: PROVIDE 146" x 80" ROUGH OPENING WITH THIRD-CAR GARAGE OPTION.

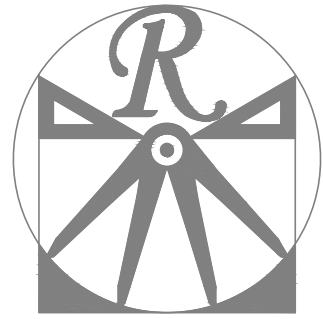
OPTIONAL CULTURED STONE VENEER (SEE ELEVATION PAGES FOR LOCATIONS AND CONDITIONS)

COLUMN AS SPEC. (SEE ELEVATION PAGES) ON 16" x 16" x 36" STONE BASE AS SPEC. (TYP.)

WEAVER HOMES
CAROLINA COLLECTION
BRINKLEY

DATE: JUNE 22, 2021
REV.:
SCALE: 1/4" = 1'-0"
DRAWN BY: WG
ENGINEERED BY:
REVIEWED BY:

FIRST FLOOR PLAN
A-4



RENAISSANCE

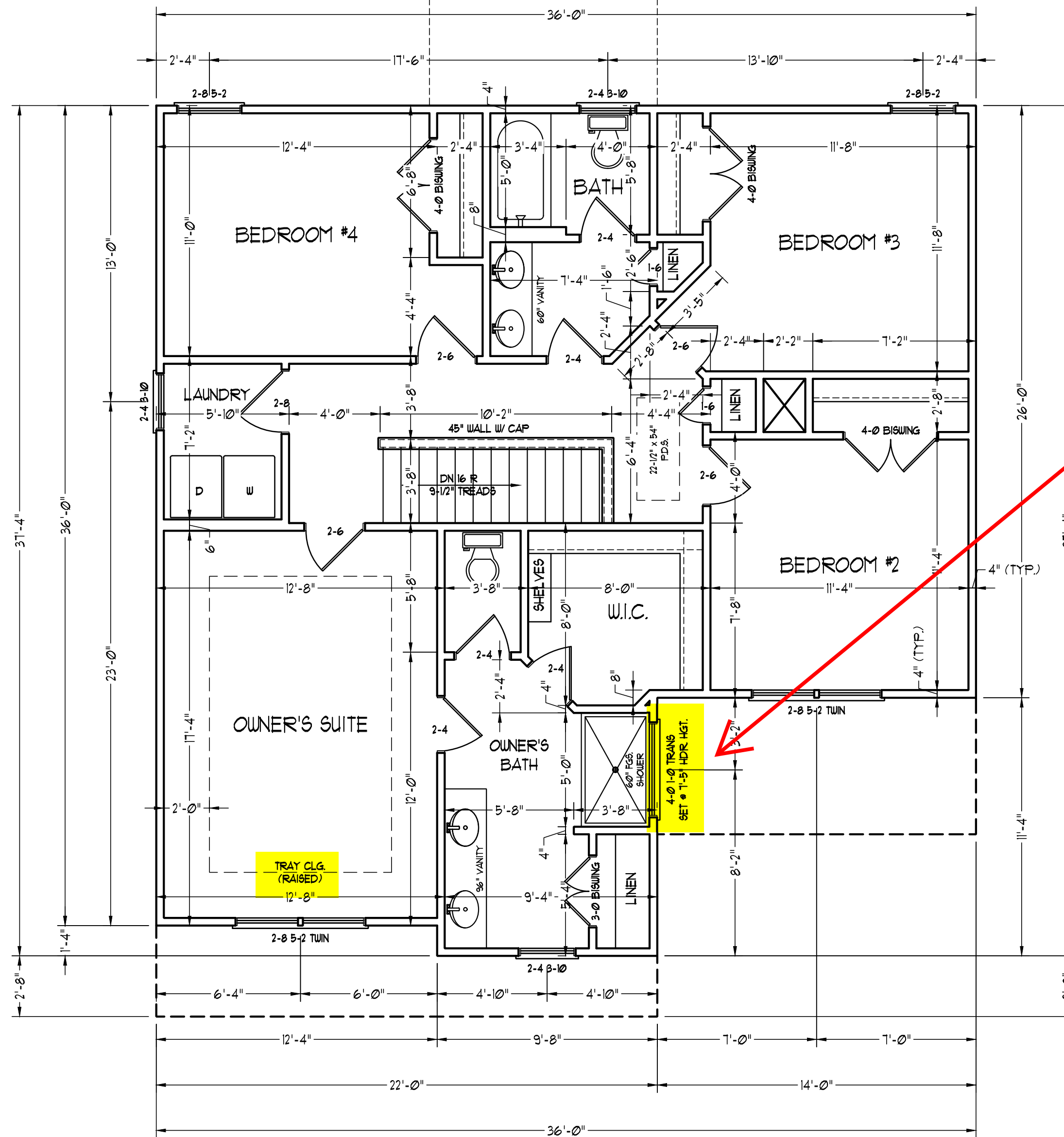
RESIDENTIAL DESIGN, INC.
WILMINGTON, NC (919) 649-4128
WWW.RRDCAROLINA.COM

The art of transforming your vision into reality.

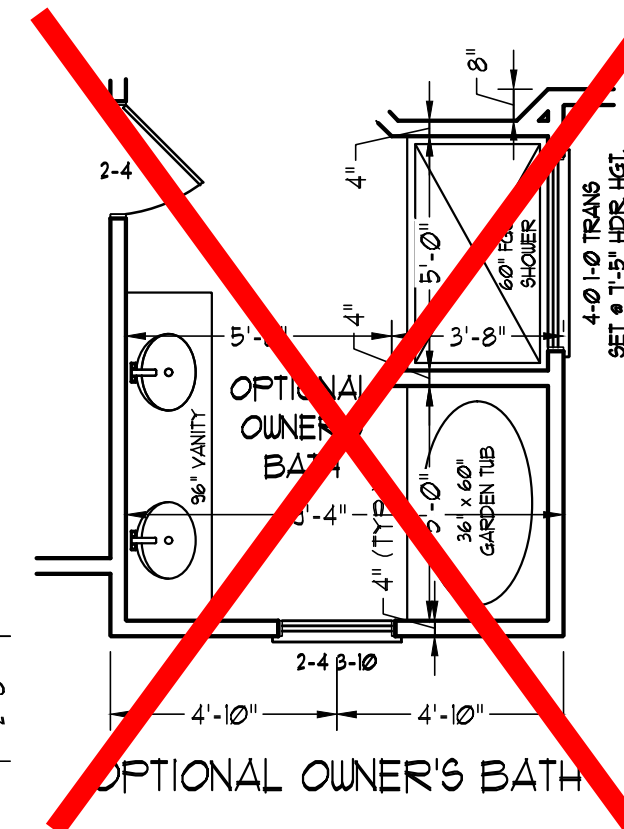
RENAISSANCE RESIDENTIAL DESIGN, INC. HEREBY EXPRESSLY RESERVES ITS RIGHT TO MAKE MODIFICATIONS TO FLOOR PLANS, DIMENSIONS, MATERIALS, AND SPECIFICATIONS WITHOUT NOTICE. THESE DRAWINGS ARE FOR THE PURPOSE OF CONVEYING AN ARCHITECTURAL CONCEPT ONLY.

RENAISSANCE RESIDENTIAL DESIGN, INC. HEREBY EXPRESSLY RESERVES ITS COMMON LAW COPYRIGHT AND OTHER PROPERTY RIGHTS IN THESE PLANS. THESE PLANS AND DRAWINGS ARE NOT TO BE REPRODUCED, CHANGED, OR COPIED IN ANY FORM OR MANNER WITHOUT FIRST OBTAINING THE EXPRESS WRITTEN CONSENT OF RENAISSANCE RESIDENTIAL DESIGN, INC. NOR ARE THEY TO BE ASSIGNED TO ANY THIRD PARTY WITHOUT FIRST OBTAINING SAID WRITTEN PERMISSION AND CONSENT.

PRICES, PROMOTIONS, INCENTIVES, FEATURES, OPTIONS, FINISHES, MATERIALS, AND DIMENSIONS ARE SUBJECT TO CHANGE WITHOUT NOTICE. SQUARE FOOTAGE AND DIMENSIONS ARE ESTIMATED AND MAY VARY IN ACTUAL CONSTRUCTION. ACTUAL POSITION OF WALLS, DOORS, WINDOWS, AND FIXTURES ARE TO BE DETERMINED BY THE ARCHITECT. FIRST CONCEPTIONS, FLOOR PLANS AND ELEVATION HEADERS ARE THE COPYRIGHTED PROPERTY OF RENAISSANCE RESIDENTIAL DESIGN, INC. ANY USE, REPRODUCTION, OR DISTRIBUTION OF THESE PLANS WITHOUT THE WRITTEN PERMISSION OF RENAISSANCE RESIDENTIAL DESIGN, INC. IS PROHIBITED. SEE NEW HOME SALES CONSULTANT FOR CURRENT DETAILS. COPYRIGHT © 2020 WESTMAN HOMES



RAISE HEADER TO TOP PLATE

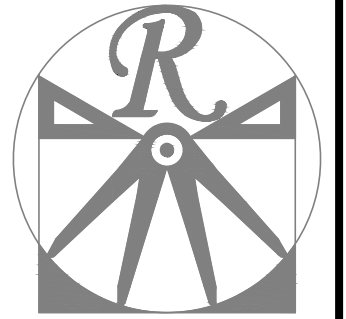


OPTIONAL OWNER'S BATH

WEAVER HOMES
CAROLINA COLLECTION
BRINKLEY

DATE: JUNE 22, 2021
REV.:
SCALE: 1/4" = 1'-0"
DRAWN BY: WG
ENGINEERED BY:
REVIEWED BY:

SECOND FLOOR PLAN
A-5



RENAISSANCE
RESIDENTIAL DESIGN, INC.
WILMINGTON, NC (919) 649-4128
WWW.RRDCAROLINA.COM

The art of transforming your vision into reality.

RENAISSANCE RESIDENTIAL DESIGN, INC. HEREBY EXPRESSLY RESERVES ITS MODIFICATIONS TO FLOOR PLANS, DIMENSIONS, MATERIALS, AND SPECIFICATIONS WITHOUT NOTICE. THESE DRAWINGS ARE FOR THE PURPOSE OF CONVEYING AN ARCHITECTURAL CONCEPT ONLY.

RENAISSANCE RESIDENTIAL DESIGN, INC. HEREBY EXPRESSLY RESERVES ITS COMMON LAW COPYRIGHT AND OTHER PROPERTY RIGHTS IN THESE PLANS. THESE PLANS AND DRAWINGS ARE NOT TO BE REPRODUCED, CHANGED, OR COPIED IN ANY FORM OR MANNER WITHOUT FIRST OBTAINING THE EXPRESS WRITTEN CONSENT OF RENAISSANCE RESIDENTIAL DESIGN, INC. NOR ARE THEY TO BE ASSIGNED TO ANY THIRD PARTY WITHOUT FIRST OBTAINING SAID WRITTEN PERMISSION AND CONSENT.

PRICES, PROMOTIONS, INCENTIVES, FEATURES, OPTIONS, DIMENSIONS ARE SUBJECT TO CHANGE WITHOUT NOTICE. DIMENSIONS ARE ESTIMATED AND SQUARE FOOTAGE AND DIMENSIONS ARE ESTIMATED AND MAY VARY IN ACTUAL CONSTRUCTION. ACTUAL POSITION OF PLOT PLAN, FLOOR PLANS AND ELEVATION DRAWINGS ARE ARTIST CONCEPTIONS. FLOOR PLANS ARE THE COPYRIGHTED PROPERTY OF WEAVER HOMES. ANY USE, REPRODUCTION, OR MODIFICATION OF THESE DRAWINGS IS STRICTLY PROHIBITED. SEE NEW HOME SALES CONSULTANT FOR CURRENT DETAILS. COPYRIGHT © 2020 WEAVER HOMES

WEAVER HOMES
CAROLINA COLLECTION
BRINKLEY

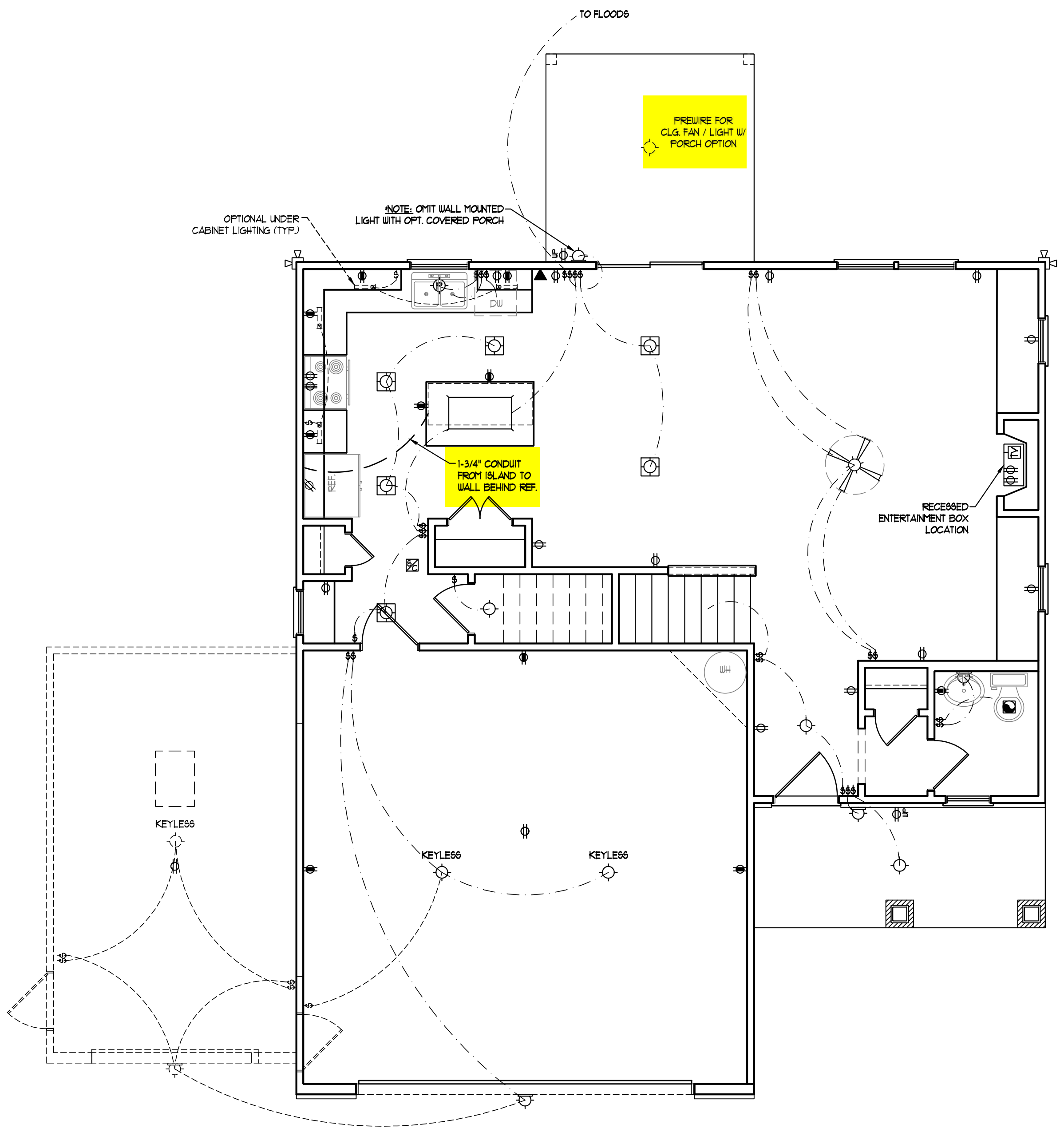
DATE: JUNE 22, 2021
REV.:
SCALE: 1/4" = 1'-0"
DRAWN BY: WG
ENGINEERED BY:
REVIEWED BY:

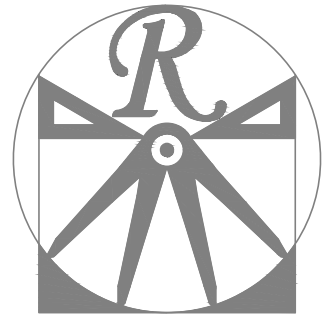
FIRST FLOOR
ELECTRICAL
PLAN
E-1

- ELECTRICAL LAYOUT NOTES:**
- 1.) BLOCK AND WIRE FOR ALL CEILING FANS PER PLAN.
 - 2.) VANITY LIGHTS TO BE SET @ 30" AFF. (TYP.)
 - 3.) ADDITIONAL EXTERIOR OUTLETS REQUIRED BY CODE TO BE LOCATED BY ELECTRICIAN.
 - 4.) PLACE SWITCHES 8" (MIN) FROM ROUGH OPENINGS.

ELECTRICAL LEGEND

- ⊖ 110 V OUTLET
- ⊖ 110 V GFI OUTLET
- ⊖ 110 V SWITCHED OUTLET
- bb ⊖ 110 V BASEBOARD OUTLET
- ⊖ 4-FLEX
- ⊖ COUNTER OR FLOOR MOUNTED
- ⊖ COUNTER OR FLOOR MOUNTED 110V GFI
- ⊖ WEATHERPROOF
- ⊖ 220 V OUTLET
- ⊖ 110 V DEDICATED CIRCUIT
- ⊖ 220 V DEDICATED CIRCUIT
- ⊖ SPECIAL PURPOSE (240 V, ETC.)
- ⊖ WALL MOUNT LIGHT
- ⊖ CEILING MOUNT LIGHT
- ⊖ PENDANT LIGHT
- ⊖ RECESSED CAN LIGHT
- ⊖ MINI CAN LIGHT
- ⊖ EYEBALL LIGHT
- ⊖ FLUORESCENT LIGHT
- ⊖ UNDERCABINET LIGHT
- ⊖ FLOOD LIGHT
- ⊖ SWITCH
- ⊖ DIMMER SWITCH
- ▲ TELEPHONE
- △ DATA
- ▲ TELEPHONE AND DATA
- TV CONNECTION
- TV/ DATA
- CONDUIT FOR COMPONENT WIRING
- ⊖ SPEAKER
- ⊖ 110 V SMOKE/ CM DETECTOR
- ⊖ 110 V SMOKE DETECTOR
- ⊖ EXHAUST FAN
- LVP LOW VOLTAGE PANEL
- ALARM ALARM PANEL
- ⊖ CEILING FAN
- ⊖ CEILING FAN W/ LIGHT





RENAISSANCE

RESIDENTIAL DESIGN, INC.
WILMINGTON, NC (919) 649-4128
WWW.RRDCAROLINA.COM

The art of transforming your vision into reality.

RENAISSANCE RESIDENTIAL DESIGN, INC. HEREBY EXPRESSLY RESERVES ITS MODIFICATIONS TO FLOOR PLANS, DIMENSIONS, MATERIALS, AND SPECIFICATIONS WITHOUT NOTICE. THESE DRAWINGS ARE FOR THE PURPOSE OF CONVEYING AN ARCHITECTURAL CONCEPT ONLY.

RENAISSANCE RESIDENTIAL DESIGN, INC. HEREBY EXPRESSLY RESERVES ITS COMMON LAW COPYRIGHT AND OTHER PROPERTY RIGHTS IN THESE PLANS. THESE PLANS AND DRAWINGS ARE NOT TO BE REPRODUCED, CHANGED, OR COPIED IN ANY FORM OR MANNER WITHOUT FIRST OBTAINING THE EXPRESS WRITTEN CONSENT OF RENAISSANCE RESIDENTIAL DESIGN, INC. NOR ARE THEY TO BE ASSIGNED TO ANY THIRD PARTY WITHOUT FIRST OBTAINING SAID WRITTEN PERMISSION AND CONSENT.

PRICES, PROMOTIONS, INCENTIVES, FEATURES, OPTIONS, DIMENSIONS ARE SUBJECT TO CHANGE WITHOUT NOTICE. DIMENSIONS ARE ESTIMATED AND SQUARE FOOTAGE AND DIMENSIONS ARE ESTIMATED AND MAY VARY IN ACTUAL CONSTRUCTION. ACTUAL POSITION OF PLOT PLAN, FLOOR PLANS AND ELEVATION RENDERINGS ARE ARTIST CONCEPTIONS. FLOOR PLANS ARE THE COPYRIGHTED PROPERTY OF WESTMAN HOMES. ANY USE, REPRODUCTION, OR MODIFICATION OF THESE PLANS WITHOUT THE WRITTEN PERMISSION OF WESTMAN HOMES IS PROHIBITED. SEE NEW HOME SALES CONSULTANT FOR CURRENT DETAILS. COPYRIGHT © 2020 WESTMAN HOMES

WEAVER HOMES
CAROLINA COLLECTION
BRINKLEY

DATE: JUNE 22, 2021
REV.:
SCALE: 1/4" = 1'-0"
DRAWN BY: WG
ENGINEERED BY:
REVIEWED BY:

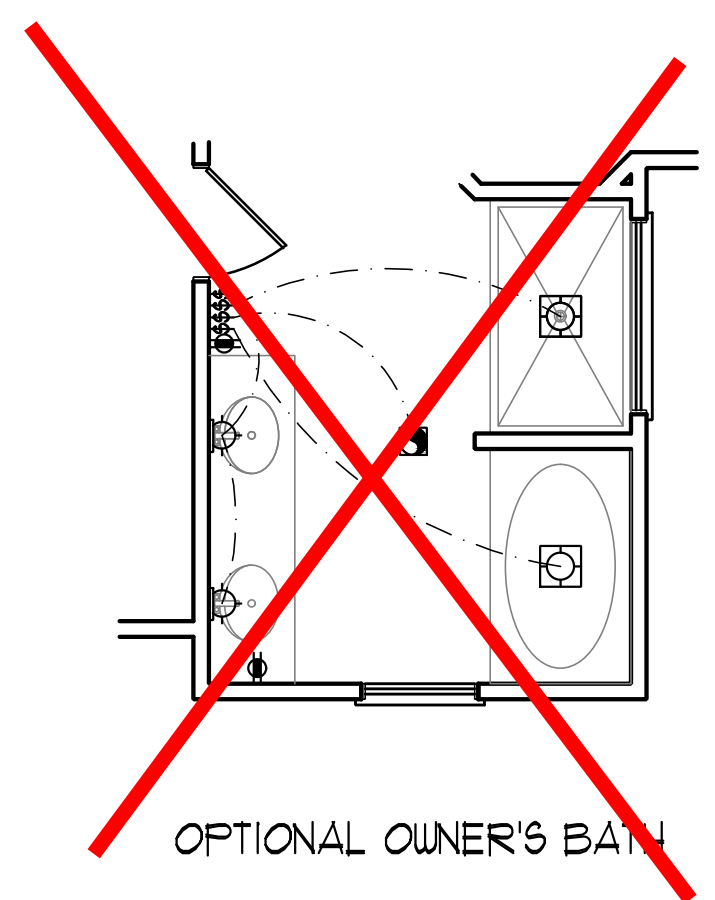
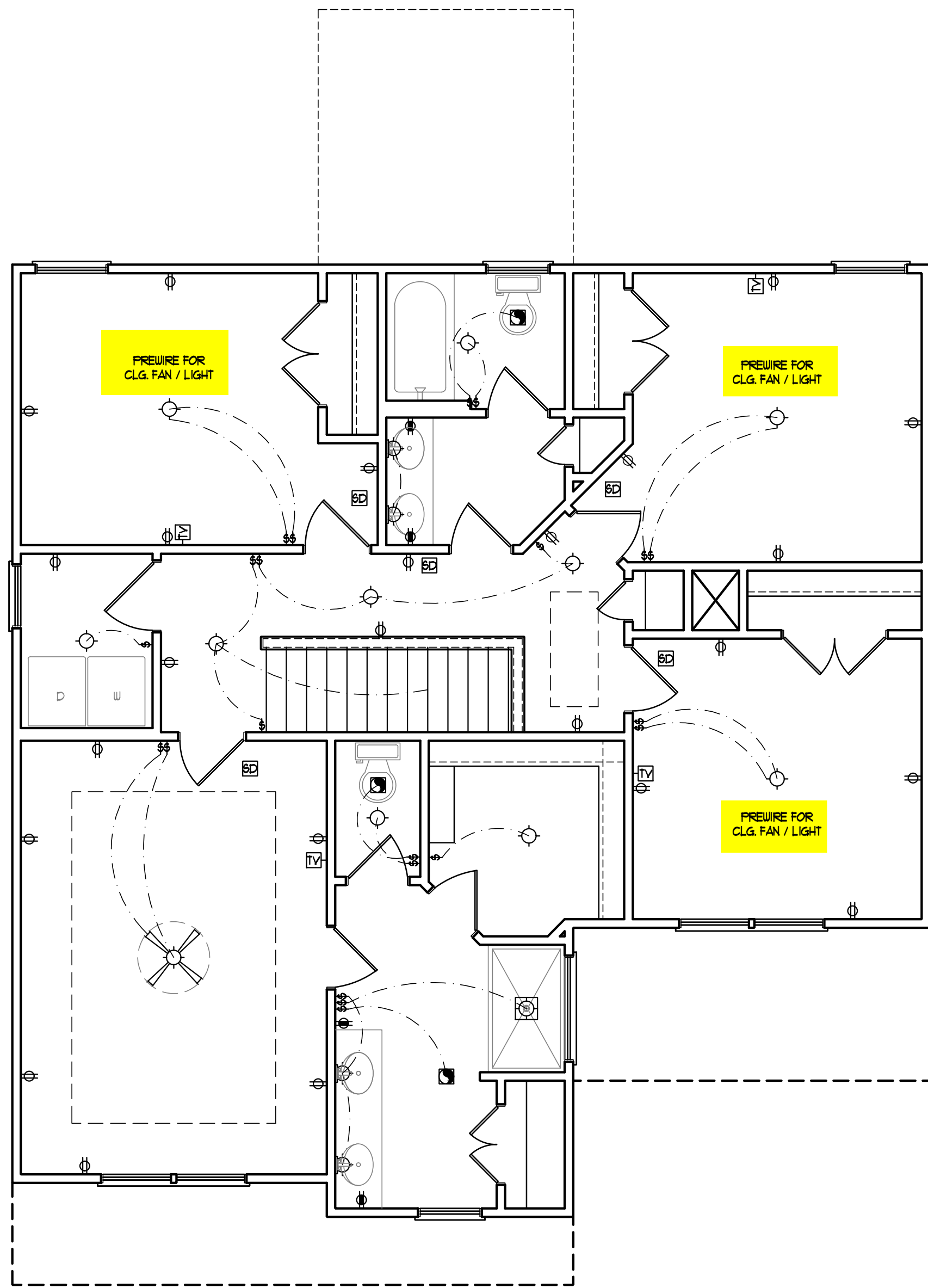
SECOND FLOOR
ELECTRICAL
PLAN

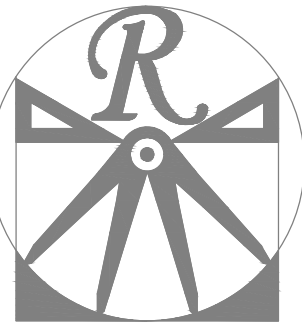
E-2

- ELECTRICAL LAYOUT NOTES:**
- 1.) BLOCK AND WIRE FOR ALL CEILING FANS PER PLAN.
 - 2.) VANITY LIGHTS TO BE SET @ 90° AFF. (TYP)
 - 3.) ADDITIONAL EXTERIOR OUTLETS REQUIRED BY CODE TO BE LOCATED BY ELECTRICIAN.
 - 4.) PLACE SWITCHES 8" (MIN) FROM ROUGH OPENINGS.

ELECTRICAL LEGEND

- ⊖ 110 V OUTLET
- ⊖ 110 V GFI OUTLET
- ⊖ 110 V SWITCHED OUTLET
- BB ⊖ 110 V BASEBOARD OUTLET
- ⊖ 4-FLEX
- ⊖ COUNTER OR FLOOR MOUNTED
- ⊖ COUNTER OR FLOOR MOUNTED 110V GFI
- ⊖ WEATHERPROOF
- ⊖ 220 V OUTLET
- ⊖ 110 V DEDICATED CIRCUIT
- ⊖ 220 V DEDICATED CIRCUIT
- ⊖ SPECIAL PURPOSE (240 V, ETC.)
- ⊖ WALL MOUNT LIGHT
- ⊖ CEILING MOUNT LIGHT
- ⊖ PENDANT LIGHT
- ⊖ RECESSED CAN LIGHT
- ⊖ MINI CAN LIGHT
- ⊖ EYEBALL LIGHT
- ⊖ FLUORESCENT LIGHT
- ⊖ UNDERCABINET LIGHT
- ⊖ FLOOD LIGHT
- ⊖ SWITCH
- ⊖ DIMMER SWITCH
- ⊖ TELEPHONE
- ⊖ DATA
- ⊖ TELEPHONE AND DATA
- ⊖ TV CONNECTION
- ⊖ TV/ DATA
- ⊖ CONDUIT FOR COMPONENT WIRING
- ⊖ SPEAKER
- ⊖ 110 V SMOKE/ CO DETECTOR
- ⊖ 110 V SMOKE DETECTOR
- ⊖ EXHAUST FAN
- LVP LOW VOLTAGE PANEL
- ALARM ALARM PANEL
- ⊖ CEILING FAN
- ⊖ CEILING FAN W/ LIGHT





RENAISSANCE

RESIDENTIAL DESIGN, INC.
WILMINGTON, NC (919) 649-4128
WWW.RRDCAROLINA.COM

The art of transforming your vision into reality.

RENAISSANCE RESIDENTIAL DESIGN, INC. RESERVES THE RIGHT TO MAKE MODIFICATIONS TO FLOOR PLANS, DIMENSIONS, MATERIALS, AND SPECIFICATIONS WITHOUT NOTICE. THESE DRAWINGS ARE FOR THE PURPOSE OF CONVEYING AN ARCHITECTURAL CONCEPT ONLY.

RENAISSANCE RESIDENTIAL DESIGN, INC. HEREBY EXPRESSLY RESERVES ITS COMMON LAW COPYRIGHT AND OTHER PROPERTY RIGHTS IN THESE PLANS. THESE PLANS AND DRAWINGS ARE NOT TO BE REPRODUCED, CHANGED, OR COPIED IN ANY FORM OR MANNER WITHOUT FIRST OBTAINING THE EXPRESS WRITTEN CONSENT OF RENAISSANCE RESIDENTIAL DESIGN, INC. NOR ARE THEY TO BE ASSIGNED TO ANY THIRD PARTY WITHOUT FIRST OBTAINING SAID WRITTEN PERMISSION AND CONSENT.

WEAVER HOMES
350 Waggoner Drive • Fayetteville, NC 28303
910.690.2100 • 800.802.2190
www.weaver-homes.com

PLEASE PROMPTLY NOTIFY US OF ANY CHANGES TO THESE PLANS. DIMENSIONS ARE SUBJECT TO CHANGE WITHOUT NOTICE. SQUARE FOOTAGE AND DIMENSIONS ARE ESTIMATED AND HOUSE CALCULATIONS WILL BE DETERMINED BY THE SITE PLAN AND PLOT PLAN. FLOOR PLANS AND ELEVATION RENDERINGS ARE ARTIST CONCEPTIONS. FLOOR PLANS ARE THE COPYRIGHTED PROPERTY OF WEAVER HOMES. ALL RIGHTS ARE RESERVED. PROHIBITED. SEE NEW HOME SALES CONSULTANT FOR CURRENT DETAILS. COPYRIGHT © 2020 WEAVER HOMES

STRUCTURAL NOTES:

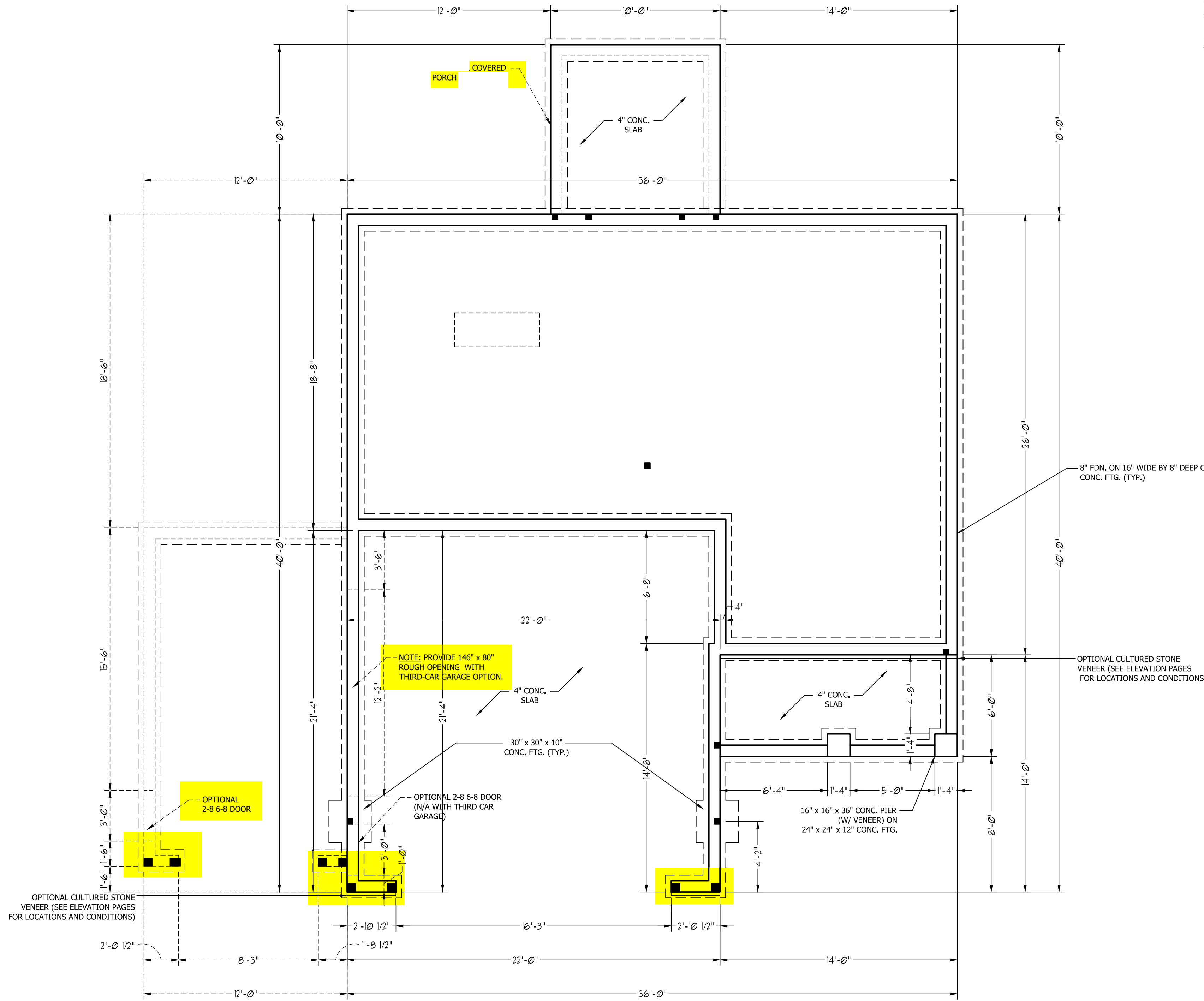
1. ALL FRAMING LUMBER TO BE #2 SPF (UNO). ALL TREATED LUMBER TO BE #2 SYP (UNO.)
2. INSTALL AN EXTRA OR DOUBLE JOIST UNDER WALLS PARALLEL TO FLOOR JOISTS.
3. SQUARES REPRESENT POINT LOADS WHICH REQUIRE SOLID BLOCKING TO GIRDER OR FOUNDATION.
4. SHADED PIERS TO BE FILLED SOLID.
5. INSTALL LADDER WIRE @ 16" O.C. TO SECURE MULTIPLE WYTHE FOUNDATION WALLS TOGETHER.

ULTIMATE DESIGN WIND SPEED NOTES FOR LESS THAN 30' MEAN ROOF HEIGHT:

1. STRUCTURAL DESIGN PER NORTH CAROLINA RESIDENTIAL CODE, 2018 EDITION.
2. FOR 120 MPH WIND ZONES INSTALL 1/2" ANCHOR BOLTS 6'-0" O.C. AND WITHIN 1'-0" FROM END OF EACH CORNER. ANCHOR BOLTS MUST EXTEND A MINIMUM OF 7" INTO CONCRETE OR 15" INTO MASONRY. LOCATE BOLT WITHIN MIDDLE THIRD OF PLATE WIDTH.
3. FOR 130 MPH WIND ZONES INSTALL 1/2" ANCHOR BOLTS 4'-0" O.C. AND WITHIN 1'-0" FROM END OF EACH CORNER. ANCHOR BOLTS MUST EXTEND A MINIMUM OF 7" INTO CONCRETE OR 15" INTO MASONRY. LOCATE BOLT WITHIN MIDDLE THIRD OF PLATE WIDTH.
4. MEAN ROOF HEIGHT IS LESS THAN 30 FEET.
5. EXTERIOR WALLS DESIGNED FOR 120 OR 130 MPH WINDS.
6. INSTALL 7/16" OSB SHEATHING ON ALL EXTERIOR WALLS OF ALL STORIES IN ACCORDANCE WITH SECTION R602.10.3 OF THE NCRC, 2018 EDITION.
7. ENERGY EFFICIENCY COMPLIANCE AND INSULATION VALUES OF THE BUILDING TO BE IN ACCORDANCE WITH CHAPTER 11 OF THE NCRC, 2018 EDITION.

FOUNDATION VENTILATION CALCULATION

778 SQ. FT. OF CRAWL SPACE DIVIDED BY 1500 EQUALS 0.5 SQ. FT. OF NET FREE AREA REQUIRED. INSTALL 6 MIL POLY TO COVER ENTIRE CRAWL SPACE. LOCATE VENTS WITHIN 3'-0" OF EACH CORNER OF THE BUILDING TO PROVIDE CROSS-VENTILATION.



WEAVER HOMES CAROLINA COLLECTION BRINKLEY

DATE: JUNE 22, 2021

REV.:

SCALE: 1/4" = 1'-0"

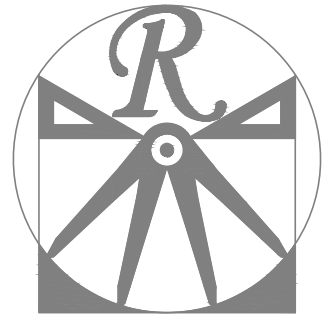
DRAWN BY: WG

ENGINEERED BY:

REVIEWED BY:

CRAWL FOUNDATION PLAN

S-1



RENAISSANCE

RESIDENTIAL DESIGN, INC.
WILMINGTON, NC (919) 649-4128
WWW.RRDCAROLINA.COM

The art of transforming your vision into reality.

RENAISSANCE RESIDENTIAL DESIGN, INC. HEREBY EXPRESSLY RESERVES ITS COMMON LAW COPYRIGHT AND OTHER PROPERTY RIGHTS IN THESE PLANS. THESE PLANS AND DRAWINGS ARE NOT TO BE REPRODUCED, CHANGED, OR COPIED IN ANY FORM OR MANNER WITHOUT FIRST OBTAINING THE EXPRESS WRITTEN CONSENT OF RENAISSANCE RESIDENTIAL DESIGN, INC. NOR ARE THEY TO BE ASSIGNED TO ANY THIRD PARTY WITHOUT FIRST OBTAINING SAID WRITTEN PERMISSION AND CONSENT.

RENAISSANCE RESIDENTIAL DESIGN, INC. HEREBY EXPRESSLY RESERVES ITS COMMON LAW COPYRIGHT AND OTHER PROPERTY RIGHTS IN THESE PLANS. THESE PLANS AND DRAWINGS ARE NOT TO BE REPRODUCED, CHANGED, OR COPIED IN ANY FORM OR MANNER WITHOUT FIRST OBTAINING THE EXPRESS WRITTEN CONSENT OF RENAISSANCE RESIDENTIAL DESIGN, INC. NOR ARE THEY TO BE ASSIGNED TO ANY THIRD PARTY WITHOUT FIRST OBTAINING SAID WRITTEN PERMISSION AND CONSENT.

PRICES, PERMITS, INCENTIVES, FEES, OPTIONS, DIMENSIONS ARE SUBJECT TO CHANGE WITHOUT NOTICE. SQUARE FOOTAGE AND DIMENSIONS ARE ESTIMATED AND MAY VARY IN ACTUAL CONSTRUCTION. ACTUAL POSITION OF POLE PLAN, FLOOR PLANS AND ELEVATION HEADINGS ARE THE PROPERTY OF RENAISSANCE RESIDENTIAL DESIGN, INC. ANY USE, REPRODUCTION, OR MODIFICATION OF THESE PLANS WITHOUT THE WRITTEN PERMISSION OF RENAISSANCE RESIDENTIAL DESIGN, INC. IS PROHIBITED. SEE NEW HOME SALES CONSULTANT FOR CURRENT DETAILS. COPYRIGHT © 2020 WESTMAN HOMES

WEAVER HOMES
CAROLINA COLLECTION
BRINKLEY

DATE: JUNE 22, 2021
REV.:
SCALE: 1/4" = 1'-0"
DRAWN BY: WG
ENGINEERED BY:
REVIEWED BY:

SECOND FLOOR
FRAMING PLAN

S-2

STRUCTURAL NOTES:

- ALL FRAMING LUMBER TO BE SPF #2 (UNO). ALL TREATED LUMBER TO BE SYP #2 (UNO.)
- ALL LOAD BEARING HEADERS TO BE (2) 2 x 4 (UNO).
- INSTALL AN EXTRA JOIST UNDER WALLS PARALLEL TO FLOOR JOISTS
- WINDOW AND DOOR HEADERS TO BE SUPPORTED w/ (1) JACK STUD AND (1) KING STUD EA. END (UNO.). SEE TABLE R602.7.5 FOR ADDITIONAL KING STUD REQUIREMENTS.
- SQUARES DENOTE POINT LOADS WHICH REQUIRE SOLID BLOCKING TO GIRDER OR FOUNDATION. ALL SQUARES TO BE (2) STUDS (UNO.)
- ALL 4 X 4 POSTS SHALL BE ANCHORED TO SLABS W/ SIMPSON ABU44 POST BASES (OR EQUAL) AND 6 X 6 POSTS W/ ABU66 POST BASES (OR EQUAL) (UNO). ALL 4 X 4 AND 6 X 6 POSTS TO BE INSTALLED WITH 700 LB CAPACITY UPLIFT CONNECTORS AT TOP (UNO.)
- FOR FIBERGLASS, ALUMINUM, OR COLUMN ENG. BY OTHERS, SECURE TO SLAB W/ (2) METAL ANGLES USING 2" CONC. SCREWS. FASTEN ANGLES TO COLUMNS W/ 1/4" THROUGH BOLTS W/ NUTS AND WASHERS. LOCATE ANGLES ON OPPOSITE SIDES OF COLUMN. THROUGH BOLTS MUST BE INSTALLED PRIOR TO SETTING COLUMN.

BRACE WALL PANEL NOTES:

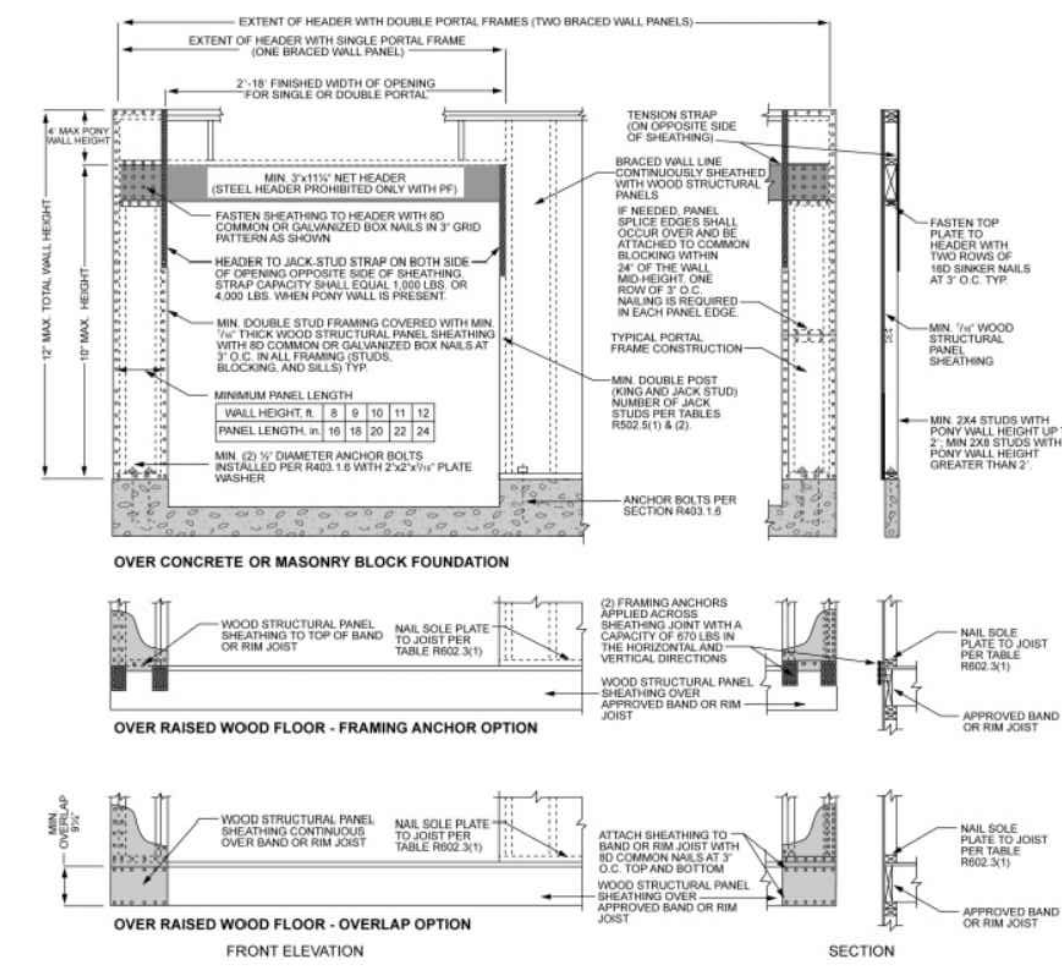
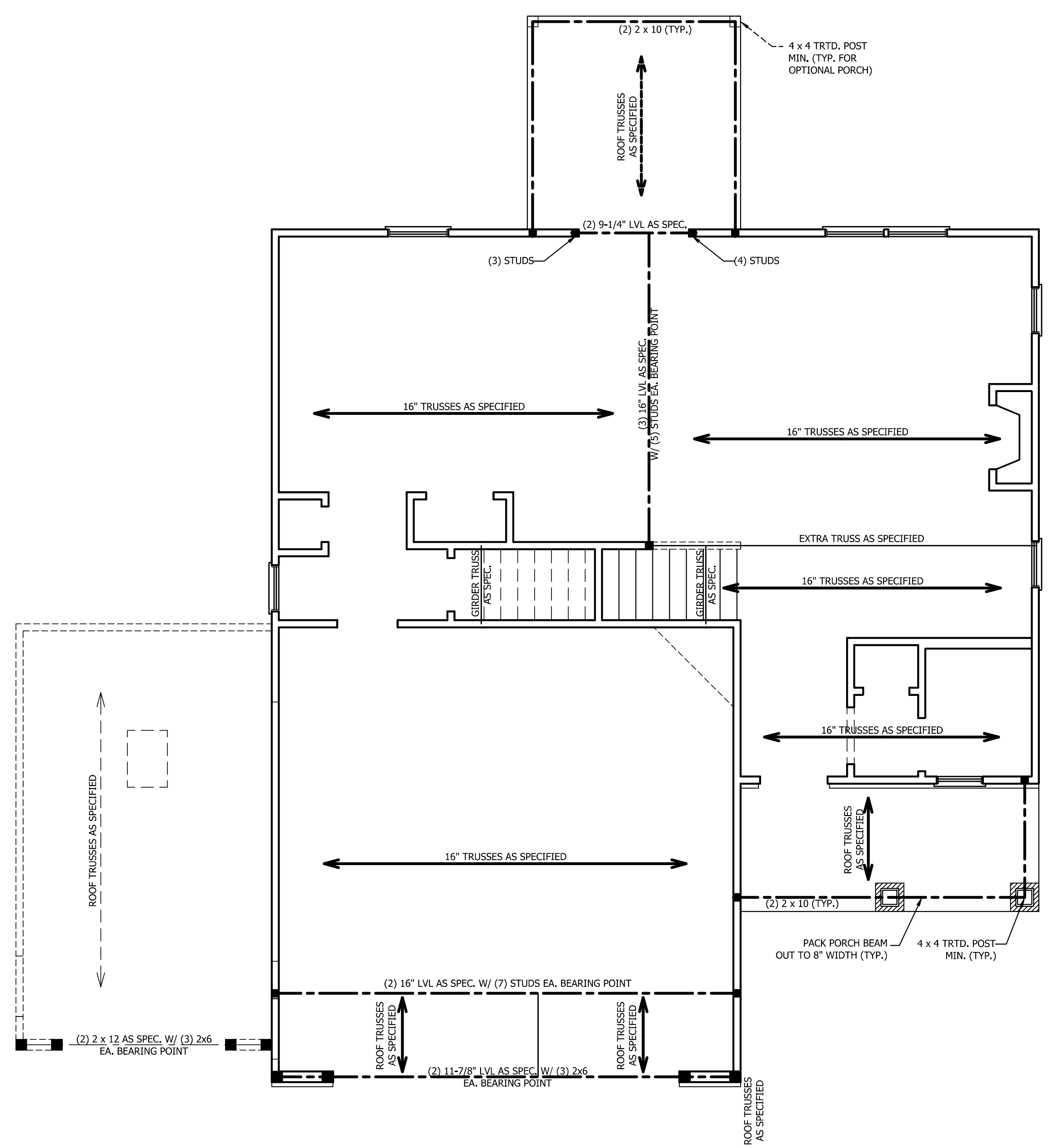
EXTERIOR WALLS: ALL EXTERIOR WALLS TO BE SHEATHED WITH CS-WSP OR CS-SFB IN ACCORDANCE WITH SECTION R602.10.3 UNLESS NOTED OTHERWISE.

REQUIRED LENGTH OF BRACING: REQUIRED BRACE WALL LENGTH FOR EACH SIDE OF THE CIRCUMSCRIBED RECTANGLE ARE INTERPOLATED PER TABLE R602.10.3. METHODS CS-WSP AND CS-SFB CONTRIBUTE THEIR ACTUAL LENGTH. METHOD GB CONTRIBUTES 0.5 ITS ACTUAL LENGTH. METHOD PF CONTRIBUTES 1.5 TIMES ITS ACTUAL LENGTH.

GYPSUM: ALL INTERIOR SIDES OF EXTERIOR WALLS AND BOTH SIDES OF INTERIOR WALLS TO HAVE 1/2" GYPSUM INSTALLED. WHEN NOT USING METHOD GB GYPSUM TO BE FASTENED PER TABLE R702.3.5. METHOD GB TO BE FASTENED PER TABLE R602.10.1.

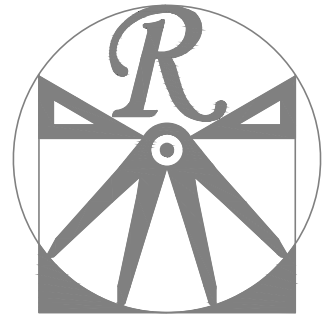
HD: 800 LBS HOLD DOWN DEVICE FASTENED TO THE EDGE OF THE BRACE WALL PANEL NEAREST TO THE CORNER

METHODS: PER TABLE R602.10.1



1 inch = 25.4 mm, 1 foot = 305 mm, 1 lb = 4.45 N

FIGURE R602.10.1
METHOD PF—PORTAL FRAME CONSTRUCTION



RENAISSANCE
RESIDENTIAL DESIGN, INC.
WILMINGTON, NC (919) 649-4128
WWW.RRDCAROLINA.COM

The art of transforming your vision into reality.

RENAISSANCE RESIDENTIAL DESIGN, INC. HEREBY EXPRESSLY RESERVES ITS COMMON LAW COPYRIGHT AND OTHER PROPERTY RIGHTS IN THESE PLANS. THESE PLANS AND DRAWINGS ARE NOT TO BE REPRODUCED, CHANGED, OR COPIED IN ANY FORM OR MANNER WITHOUT FIRST OBTAINING THE EXPRESS WRITTEN CONSENT OF RENAISSANCE RESIDENTIAL DESIGN, INC. NOR ARE THEY TO BE ASSIGNED TO ANY THIRD PARTY WITHOUT FIRST OBTAINING SAID WRITTEN PERMISSION AND CONSENT.

RENAISSANCE RESIDENTIAL DESIGN, INC. HEREBY EXPRESSLY RESERVES ITS COMMON LAW COPYRIGHT AND OTHER PROPERTY RIGHTS IN THESE PLANS. THESE PLANS AND DRAWINGS ARE NOT TO BE REPRODUCED, CHANGED, OR COPIED IN ANY FORM OR MANNER WITHOUT FIRST OBTAINING THE EXPRESS WRITTEN CONSENT OF RENAISSANCE RESIDENTIAL DESIGN, INC. NOR ARE THEY TO BE ASSIGNED TO ANY THIRD PARTY WITHOUT FIRST OBTAINING SAID WRITTEN PERMISSION AND CONSENT.

PRICES, FINISHES, INCENTIVES, FEATURES, OPTIONS, DIMENSIONS, MATERIALS, AND SPECIFICATIONS ARE SUBJECT TO CHANGE WITHOUT NOTICE. SQUARE FOOTAGE AND DIMENSIONS ARE ESTIMATED AND MAY VARY IN ACTUAL CONSTRUCTION. ACTUAL POSITION OF WALLS, DOORS, WINDOWS, AND ELEVATION HEADERS ARE TO BE DETERMINED BY THE ARCHITECT'S FIELD SURVEY. THESE PLANS ARE THE PROPERTY OF RENAISSANCE RESIDENTIAL DESIGN, INC. ANY USE, REPRODUCTION, OR MODIFICATION OF THESE PLANS WITHOUT THE WRITTEN PERMISSION OF RENAISSANCE RESIDENTIAL DESIGN, INC. IS PROHIBITED. SEE NEW HOME SALES CONSULTANT FOR CURRENT DETAILS. COPYRIGHT © 2020 WEAVER HOMES

WEAVER HOMES
CAROLINA COLLECTION
BRINKLEY

DATE: JUNE 22, 2021
REV.:
SCALE: 1/4" = 1'-0"
DRAWN BY: WG
ENGINEERED BY:
REVIEWED BY:

ATTIC FLOOR
FRAMING PLAN
S-3

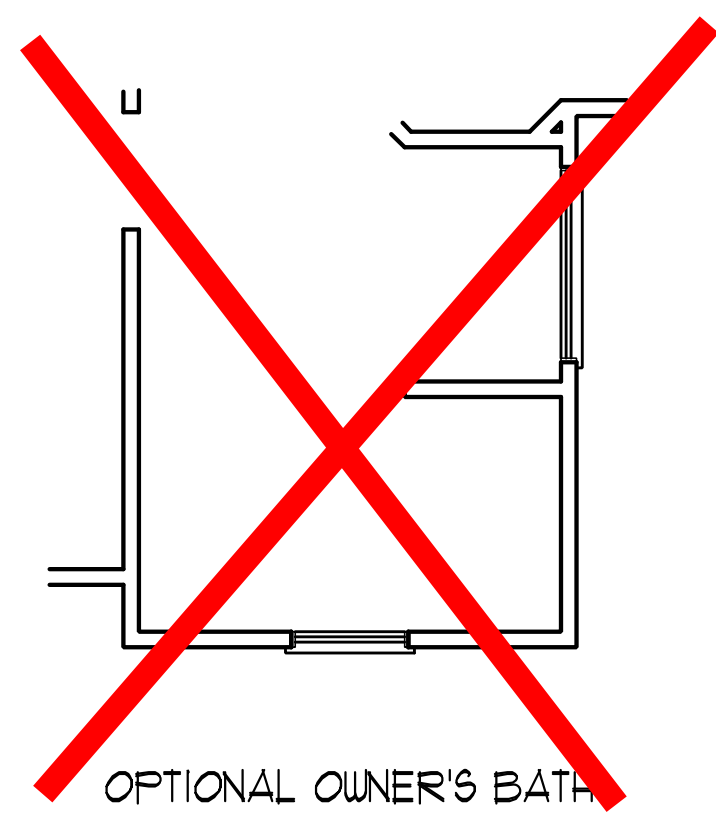
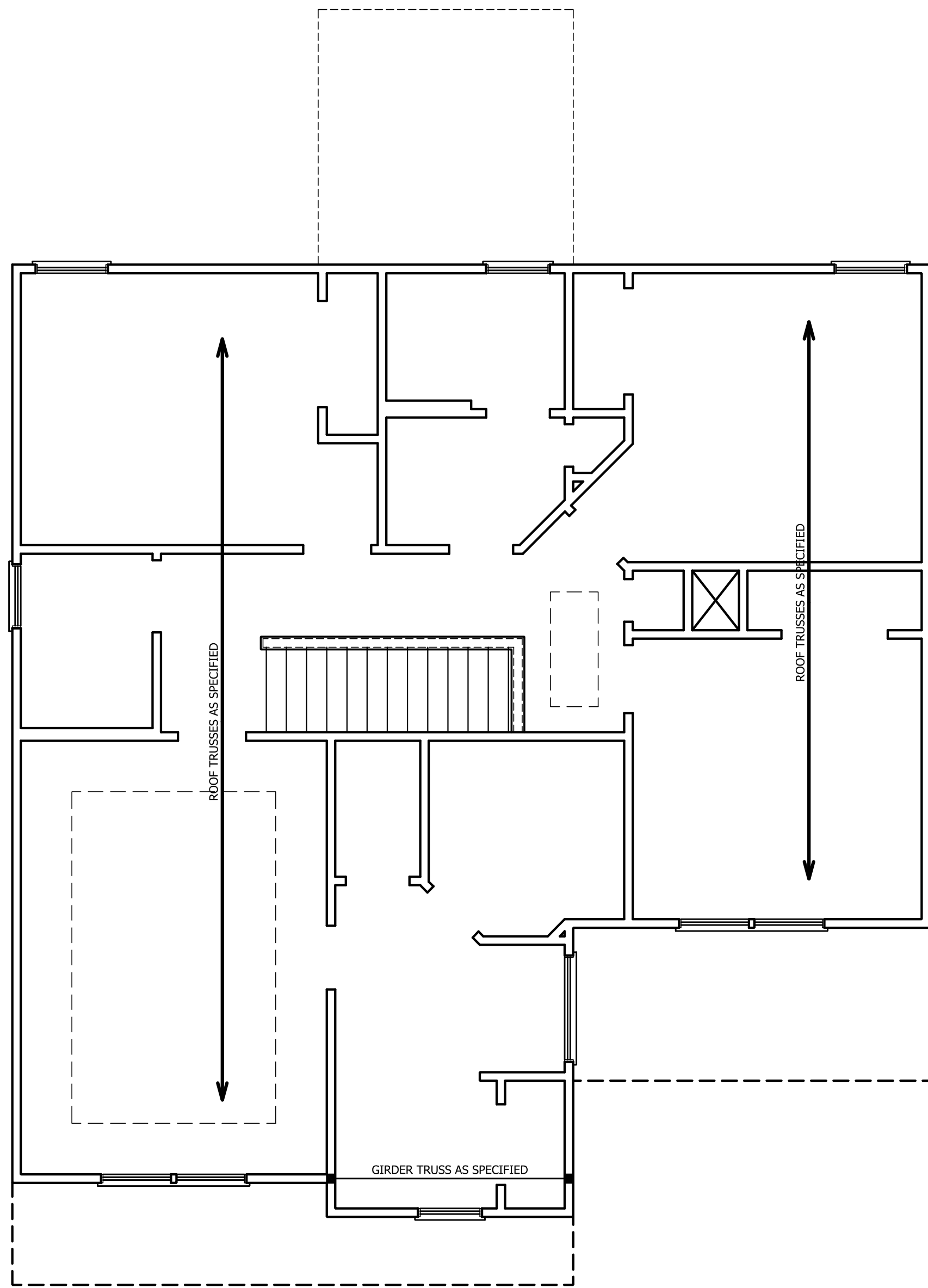
TABLE R602.7.5
MINIMUM NUMBER OF FULL HEIGHT STUDS
AT EACH END OF HEADERS IN EXTERIOR WALLS

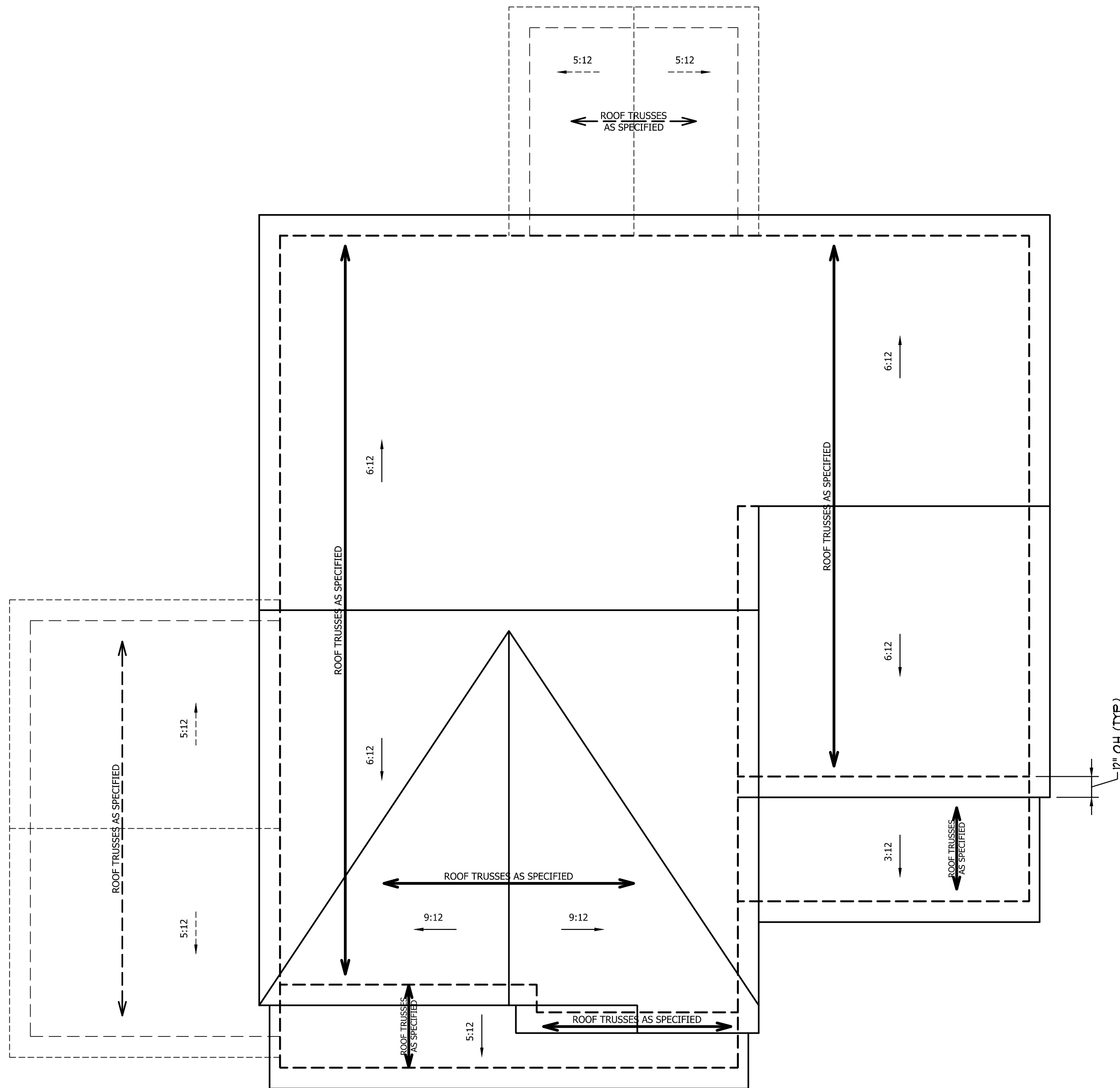
HEADER SPAN (FEET)	MAXIMUM STUD SPACING (INCHES) (PER TABLE R602.3(5))	
	16	24
UP TO 3'	1	1
4'	2	1
8'	3	2
12'	5	3
16'	6	4

STRUCTURAL NOTES:

1. ALL FRAMING LUMBER TO BE SPF #2 (UNO). ALL TREATED LUMBER TO BE SYP #2 (UNO.)
2. ALL LOAD BEARING HEADERS TO BE (2) 2 x 6 (UNO).
3. WINDOW AND DOOR HEADERS TO BE SUPPORTED w/ (1) JACK STUD AND (1) KING STUD EA. END (UNO.). SEE TABLE R602.7.5 FOR ADDITIONAL KING STUD REQUIREMENTS.
4. SQUARES DENOTE POINT LOADS WHICH REQUIRE SOLID BLOCKING TO GIRDER OR FOUNDATION. ALL SQUARES TO BE (2) STUDS (UNO.)

DSP - DOUBLE STUD POCKET
TSP - TRIPLE STUD POCKET



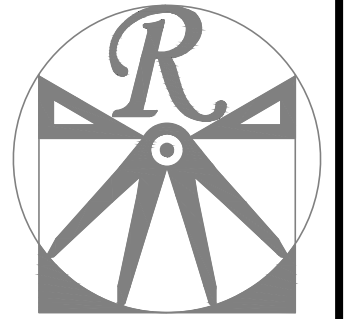


ATTIC VENT CALCULATION:

1484 SQ. FT. OF ATTIC DIVIDED BY 150 REQUIRES 9.9 SQ. FT. OF NET FREE VENTILATING AREA (MIN.).

STRUCTURAL NOTES:

1. ALL FRAMING LUMBER TO BE #2 SPF (UNO).
2. HIP SPLICES ARE TO BE SPACED A MIN. OF 8'-0". FASTEN MEMBERS WITH THREE ROWS OF 12d NAILS @ 16" O.C. (TYP.)
3. STICK FRAME OVER-FRAMED ROOF SECTIONS W/ 2 x 8 RIDGES, 2 x 6 RAFTERS @ 16" O.C. AND FLAT 2 x 10 VALLEYS OR USE VALLEY TRUSSES. FASTEN FLAT VALLEYS TO RAFTERS OR TRUSSES WITH SIMPSON H2.5A HURRICANE TIES @ 32" O.C. MAX. PASS HURRICANE TIES THROUGH NOTCH IN ROOF SHEATHING. EACH RAFTER IS TO BE FASTENED TO THE FLAT VALLEY WITH A MIN. OF (6) 12d TOE NAILS.
4. REFER TO SECTION R802.11 OF THE 2018 NCRS FOR REQUIRED UPLIFT RESISTANCE AT RAFTERS AND TRUSSES.



RENAISSANCE
RESIDENTIAL DESIGN, INC.
WILMINGTON, NC (919) 649-4128
WWW.RRDCAROLINA.COM
The art of transforming your vision into reality.

RENAISSANCE RESIDENTIAL DESIGN, INC. HEREBY EXPRESSLY RESERVES ITS RIGHTS TO MAKE MODIFICATIONS TO FLOOR PLANS, DIMENSIONS, MATERIALS, AND SPECIFICATIONS WITHOUT NOTICE. THESE DRAWINGS ARE FOR THE PURPOSE OF CONVEYING AN ARCHITECTURAL CONCEPT ONLY.

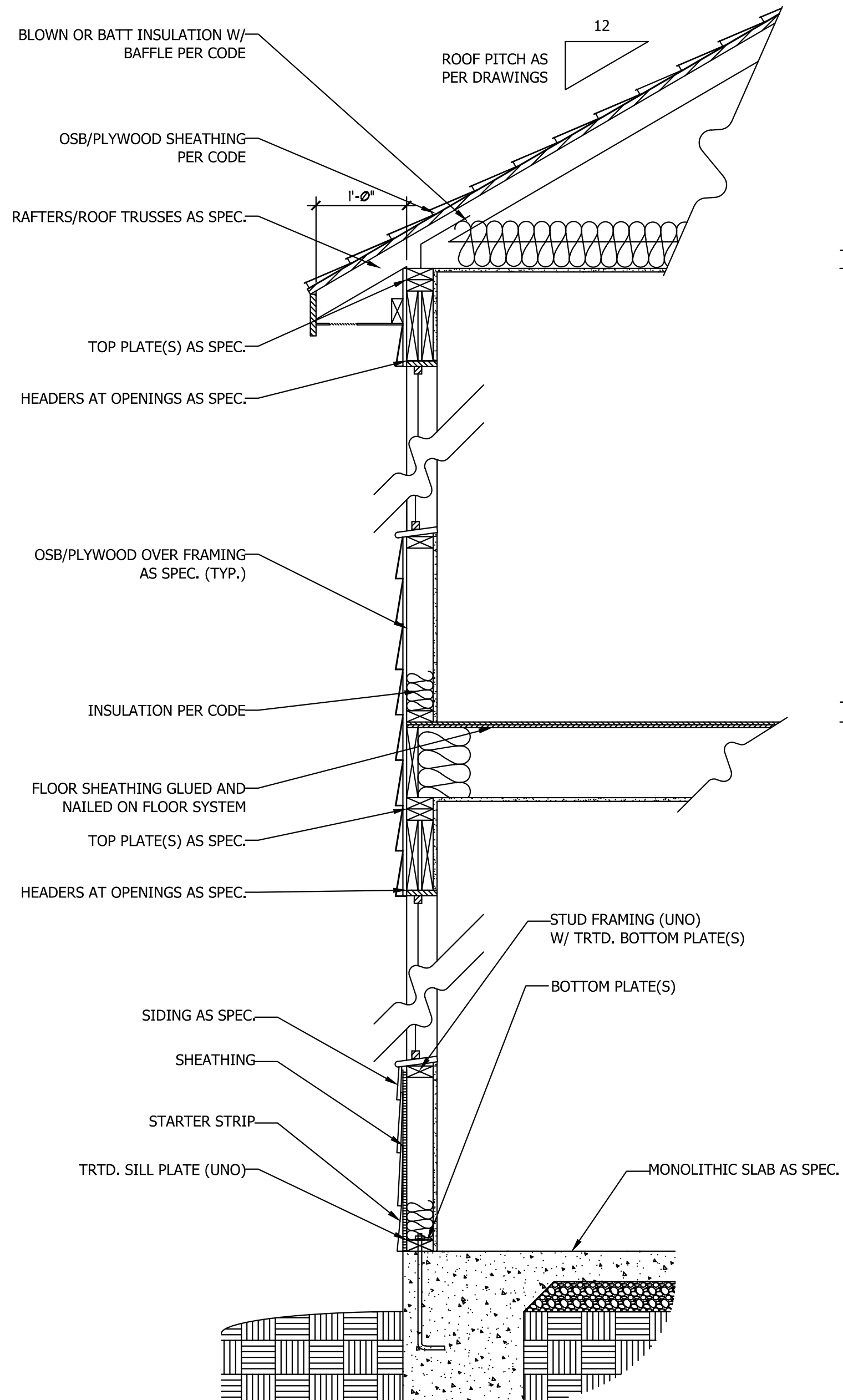
RENAISSANCE RESIDENTIAL DESIGN, INC. HEREBY EXPRESSLY RESERVES ITS COMMON LAW COPYRIGHT AND OTHER PROPERTY RIGHTS IN THESE PLANS. THESE PLANS AND DRAWINGS ARE NOT TO BE REPRODUCED, CHANGED, OR COPIED IN ANY FORM OR MANNER WITHOUT FIRST OBTAINING THE EXPRESS WRITTEN CONSENT OF RENAISSANCE RESIDENTIAL DESIGN, INC. NOR ARE THEY TO BE ASSIGNED TO ANY THIRD PARTY WITHOUT FIRST OBTAINING SAID WRITTEN PERMISSION AND CONSENT.

PRICES, PROMOTIONS, INCENTIVES, FEATURES, OPTIONS, FINISHES, AND MATERIALS ARE SUBJECT TO CHANGE WITHOUT NOTICE. DIMENSIONS ARE SUBJECT TO CHANGE WITHOUT NOTICE. SQUARE FOOTAGE AND DIMENSIONS ARE ESTIMATED AND MAY VARY IN ACTUAL CONSTRUCTION. ACTUAL POSITION OF WALLS, DOORS, WINDOWS, AND OTHER FEATURES ARE NOT SHOWN. FLOOR PLANS AND ELEVATION RENDERINGS ARE ARTIST CONCEPTIONS. FLOOR PLANS ARE THE COPYRIGHTED PROPERTY OF WEAVER HOMES. ANY USE, REPRODUCTION, OR MODIFICATION OF THESE DRAWINGS IS STRICTLY PROHIBITED. SEE NEW HOME SALES CONSULTANT FOR CURRENT DETAILS. COPYRIGHT © 2020 WEAVER HOMES

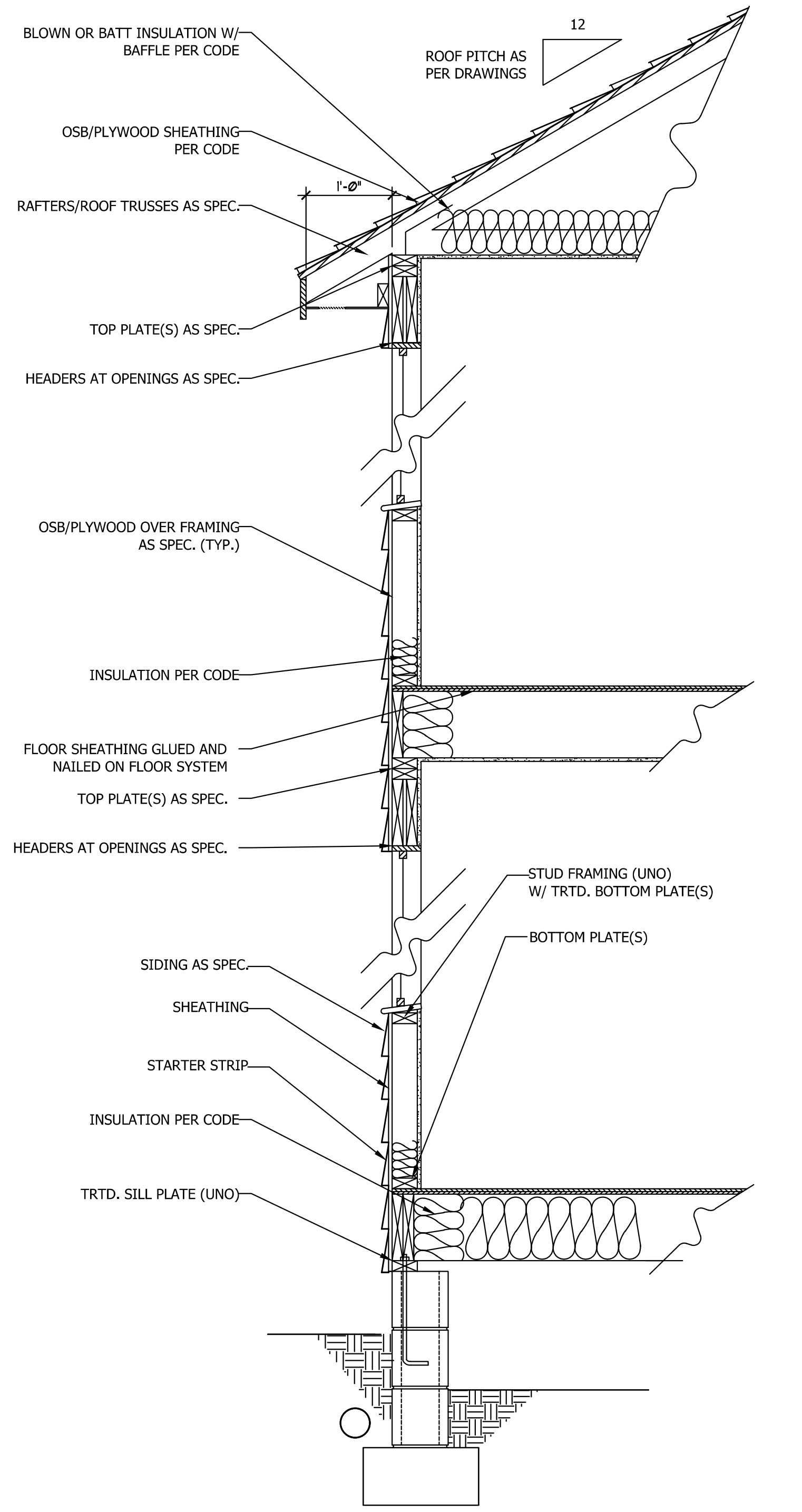
WEAVER HOMES
CAROLINA COLLECTION
BRINKLEY

DATE: JUNE 22, 2021
REV.:
SCALE: 1/4" = 1'-0"
DRAWN BY: WG
ENGINEERED BY:
REVIEWED BY:

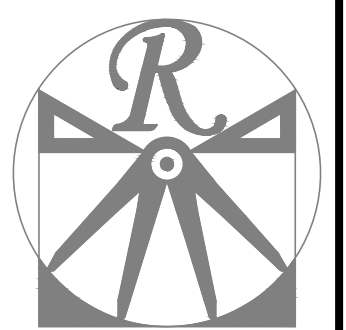
ROOF PLAN
S4



WALL SECTION W/ SLAB
W/ STD. SIDING SHOWN (NTS)



WALL SECTION W/ CRAWL SPACE
W/ STD. SIDING SHOWN (NTS)



RENAISSANCE

RESIDENTIAL DESIGN, INC.
WILMINGTON, NC (919) 649-4128
WWW.RRDCAROLINA.COM

The art of transforming your vision into reality.

RENAISSANCE RESIDENTIAL DESIGN, INC. HEREBY EXPRESSLY RESERVES ITS RIGHTS TO MAKE MODIFICATIONS TO FLOOR PLANS, DIMENSIONS, MATERIALS, AND SPECIFICATIONS WITHOUT NOTICE. THESE PLANS AND DRAWINGS ARE NOT TO BE REPRODUCED, CHANGED, OR COPIED IN ANY FORM OR MANNER WITHOUT FIRST OBTAINING THE EXPRESS WRITTEN CONSENT OF RENAISSANCE RESIDENTIAL DESIGN, INC. NOR ARE THEY TO BE ASSIGNED TO ANY THIRD PARTY WITHOUT FIRST OBTAINING SAID WRITTEN PERMISSION AND CONSENT.

PRICES, PROMOTIONS, INCENTIVES, FEATURES, OPTIONS, FINISHES, AND MATERIALS ARE SUBJECT TO CHANGE WITHOUT NOTICE. DIMENSIONS ARE ESTIMATED AND SQUARE FOOTAGE AND DIMENSIONS ARE ESTIMATED AND MAY VARY IN ACTUAL CONSTRUCTION. ACTUAL POSITION OF WALLS, FLOOR PLANS AND ELEVATION HEADINGS ARE ARTIST CONCEPTIONS. FLOOR PLANS ARE THE COPYRIGHTED PROPERTY OF WESTMAN HOMES. ANY USE, REPRODUCTION, OR MODIFICATION OF THESE PLANS WITHOUT THE WRITTEN PERMISSION OF WESTMAN HOMES SALES CONSULTANT FOR CURRENT DETAILS. COPYRIGHT © 2021 WESTMAN HOMES

WEAVER HOMES
CAROLINA COLLECTION
BRINKLEY

DATE: JUNE 22, 2021
REV.:
SCALE: 1/4" = 1'-0"
DRAWN BY: WG
ENGINEERED BY:
REVIEWED BY:

TYPICAL WALL SECTIONS

D-1



ROOF & FLOOR TRUSSES & BEAMS

Reilly Road Industrial Park
Fayetteville, N.C. 28309
Phone: (910) 864-8787
Fax: (910) 864-4444

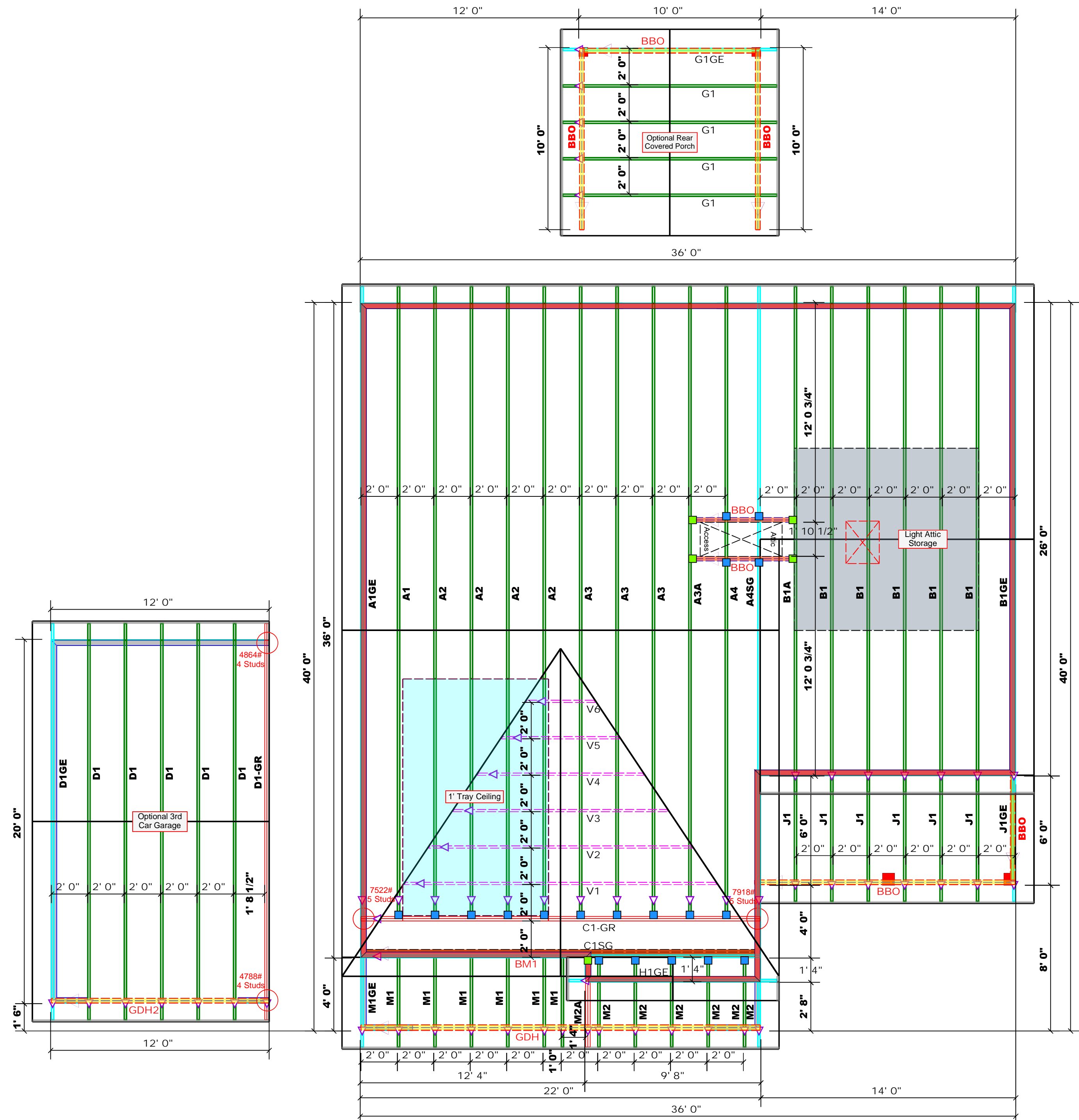
Bearing reactions less than or equal to 3000# are deemed to comply with the prescriptive Code requirements. The contractor shall refer to the attached Tables (derived from the prescriptive Code requirements) to determine the minimum foundation size and number of wood studs required to support reactions greater than 3000# but not greater than 15000#. A registered design professional shall be retained to design the support system for any reaction that exceeds those specified in the attached Tables. A registered design professional shall be retained to design the support system for all reactions that exceed 15000#.

Signature **David Landry**
David Landry

LOAD CHART FOR JACK STUDS

(BASED ON TABLES MODEL: S 103)

REACTION (UP/KN)	NO. OF JACK STUDS PER 10' SPACING	NUMBER OF JACK STUDS REQUIRED BY EACH OF HEADS/REAR	
		REQ. STUDS FOR TRAY CEILING	REQ. STUDS FOR TRAY BEAMS
1700	1	2550	3400
3400	2	5100	6800
5100	3	7650	10200
6800	4	10200	13600
8500	5	12750	17000
10200	6	15300	
11900	7		
13600	8		
15300	9		



Dimension Notes

- All exterior wall to wall dimensions are to face of sheathing unless noted otherwise
- All interior wall dimensions are to face of frame wall unless noted otherwise
- All exterior wall to truss dimensions are to face of frame wall unless noted otherwise

All Walls Shown Are Considered Load Bearing

Roof Area = 2211.85 sq.ft.
Ridge Line = 83.75 ft.
Hip Line = 0 ft.
Horiz. OH = 189.58 ft.
Raked OH = 233.07 ft.
Decking = 76 sheets

Hatch Legend

[Grey Box]	Padded HVAC
[Light Blue Box]	Tray Ceiling
[Red Box]	2nd Floor Walls
[Yellow Box]	Drop Beam

Connector Information

Sym	Product	Manuf	Qty	Supported Member	Header	Truss
[Blue Box]	HUS26	USP	19	NA	16d/3-1/2"	16d/3-1/2"
[Green Box]	THD26-2	USP	5	NA	16d/3-1/2"	10d/3"

Nail Information

Header	Truss
16d/3-1/2"	16d/3-1/2"
16d/3-1/2"	10d/3"

Products

PlotID	Length	Product	Plies	Net Qty
BM1	22' 0"	1-3/4"x 16" LVL Kerto-S	3	3
BM2	15' 0"	1-3/4"x 16" LVL Kerto-S	3	3
BM3	7' 0"	1-3/4"x 9-1/4" LVL Kerto-S	2	2
GDH	22' 0"	1-3/4"x 11-7/8" LVL Kerto-S	2	2
GDH2	12' 0"	2x12 SPF No.2	2	2

1 Truss Placement Plan
Scale: 1/4" = 1'

BUILDER	WEAVER DEVELOPMENT CO. INC.	CITY / CO.	ANGIER / HARNETT
JOB NAME	LOT 7 MITCHELL MANOR I I	ADDRESS	WENDYWOOD LANE
PLAN	BRINKLEY "C" / 3GLF, CP	MODEL	ROOF
SEAL DATE	N/A	DATE REV.	01/31/22
QUOTE #		DRAWN BY	DAVID LANDRY
JOB #	J0122-0372	SALES REP.	LENNY NORRIS

THIS IS A TRUSS PLACEMENT DIAGRAM ONLY. These trusses are designed as individual building components to be incorporated into the building design at the specification of the building designer. See individual design sheets for each truss design identified on the placement drawing. The building designer is responsible for temporary and permanent bracing of the roof and floor system and for the overall structure. The design of the truss support structure including headers, beams, walls, and columns is the responsibility of the building designer. For general guidance regarding bracing, consult BCSI-B1 and BCSI-B3 provided with the truss delivery package or online @ sbcindustry.com

▲ = Indicates Left End of Truss
(Reference Engineered Truss Drawing)
Do NOT Erect Truss Backwards



ROOF & FLOOR TRUSSES & BEAMS

Reilly Road Industrial Park
Fayetteville, N.C. 28309
Phone: (910) 864-8787
Fax: (910) 864-4444

Bearing reactions less than or equal to 3000# are deemed to comply with the prescriptive Code requirements. The contractor shall refer to the attached Tables (derived from the prescriptive Code requirements) to determine the minimum foundation size and number of wood studs required to support reactions greater than 3000# but not greater than 15000#. A registered design professional shall be retained to design the support system for any reaction that exceeds those specified in the attached Tables. A registered design professional shall be retained to design the support system for all reactions that exceed 15000#.

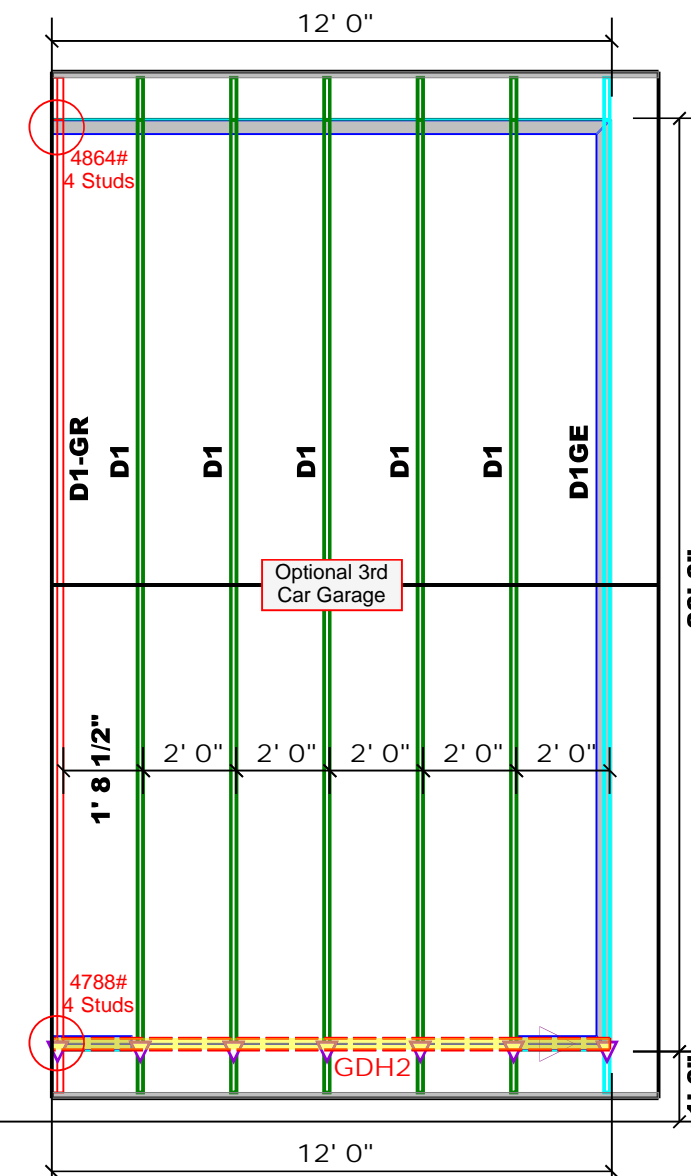
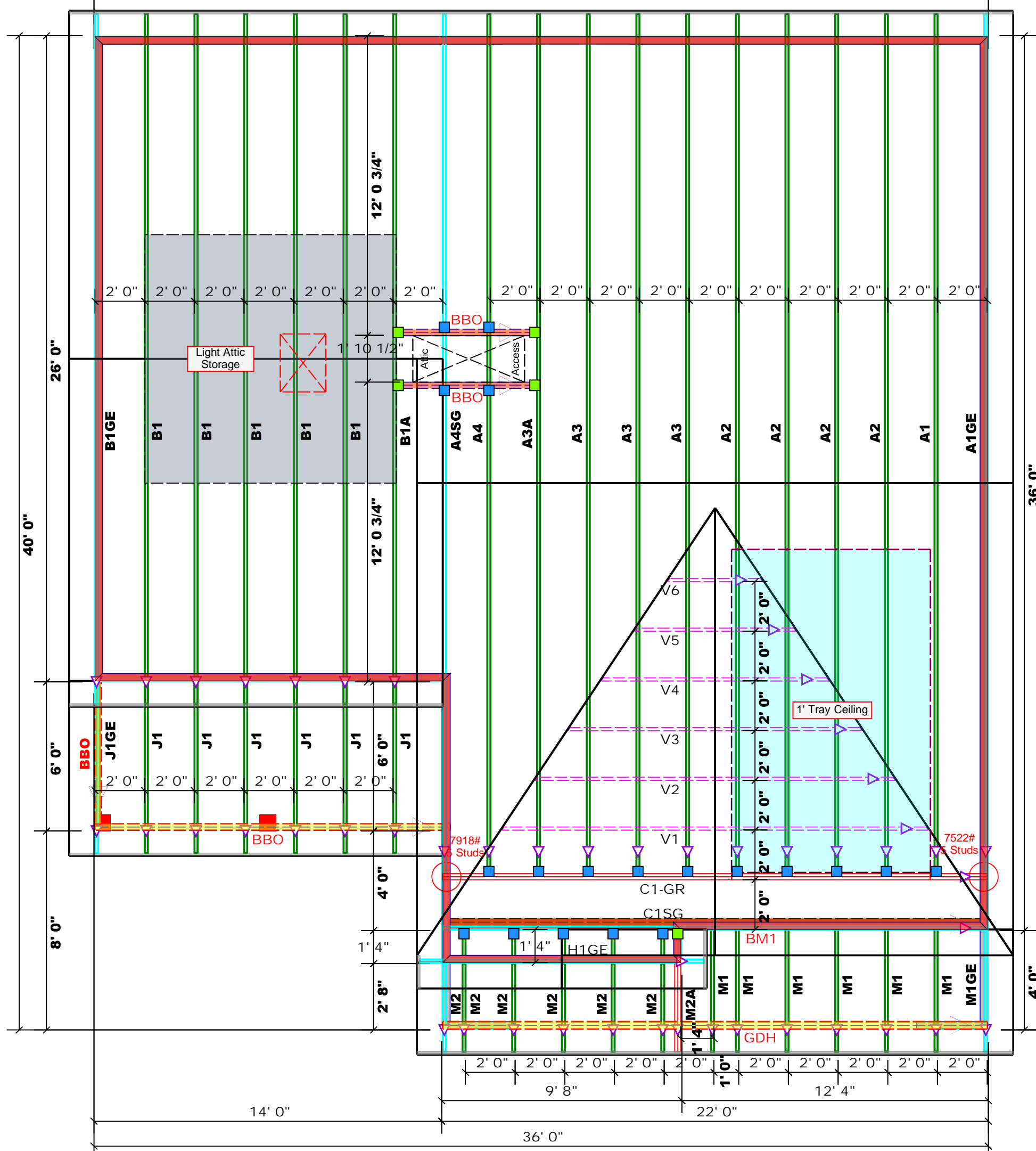
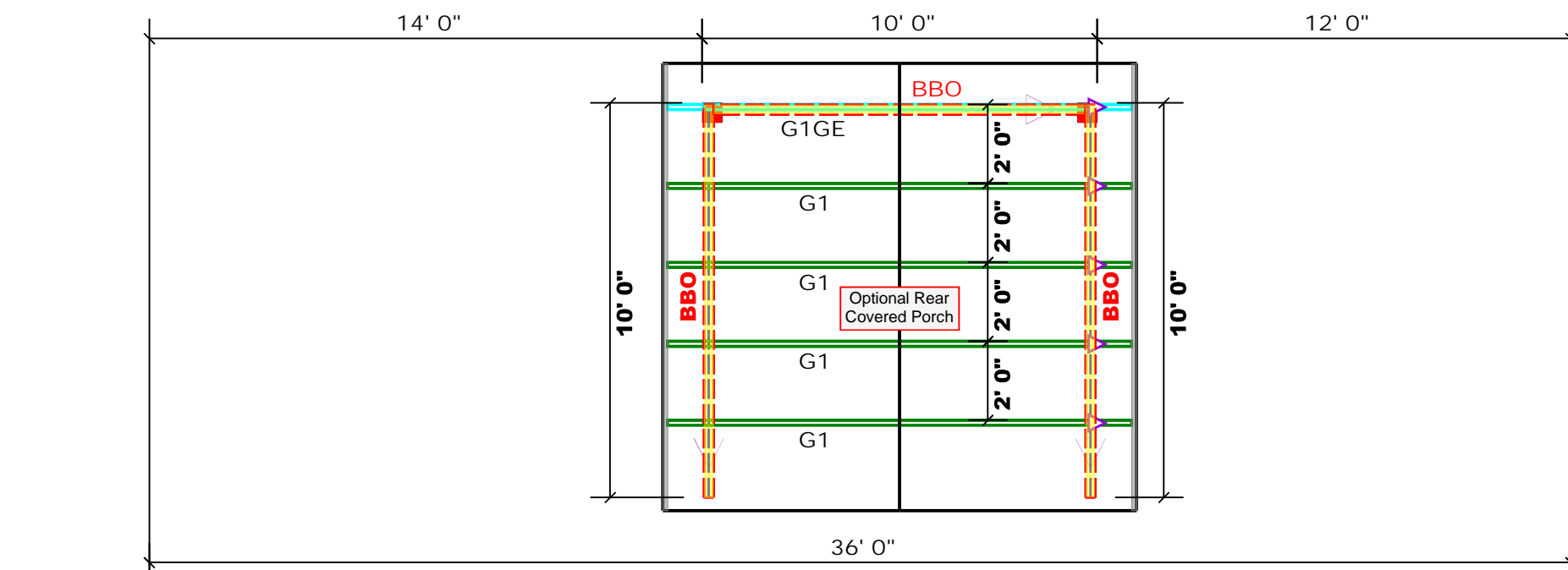
Signature David Landry

David Landry

LOAD CHART FOR JACK STUDS

(BASED ON TABLES MODEL: S 103)

NUMBER OF JACK STUDS REQUIRED BY EACH END OF HEADERS/BEAMS		NUMBER OF JACK STUDS REQUIRED BY EACH END OF TRUSS HEADS	
REACTION (LBS)	REQ. STUDS FOR EACH END	REACTION (LBS)	REQ. STUDS FOR EACH END
1700	1	2550	1
3400	2	5100	2
5100	3	7650	3
6800	4	10200	4
8500	5	12750	5
10200	6	15300	6
11900	7		
13600	8		
15300	9		



Dimension Notes

- All exterior wall to wall dimensions are to face of sheathing unless noted otherwise
- All interior wall dimensions are to face of frame wall unless noted otherwise
- All exterior wall to truss dimensions are to face of frame wall unless noted otherwise

All Walls Shown Are Considered Load Bearing

Roof Area = 2211.85 sq.ft.
Ridge Line = 83.75 ft.
Hip Line = 0 ft.
Horiz. OH = 189.58 ft.
Raked OH = 233.07 ft.
Decking = 76 sheets

Hatch Legend

[Grey Hatch]	Padded HVAC
[Light Blue Hatch]	Tray Ceiling
[Red Hatch]	2nd Floor Walls
[Yellow Hatch]	Drop Beam

Connector Information					Nail Information	
Sym	Product	Manuf	Qty	Supported Member	Header	Truss
[Blue]	HUS26	USP	19	NA	16d/3-1/2"	16d/3-1/2"
[Green]	THD26-2	USP	5	NA	16d/3-1/2"	10d/3"

Products				
PlotID	Length	Product	Plies	Net Qty
BM1	22' 0"	1-3/4"x 16" LVL Kerto-S	3	3
BM2	15' 0"	1-3/4"x 16" LVL Kerto-S	3	3
BM3	7' 0"	1-3/4"x 9-1/4" LVL Kerto-S	2	2
GDH	22' 0"	1-3/4"x 11-7/8" LVL Kerto-S	2	2
GDH2	12' 0"	2x12 SPF No.2	2	2

1 Truss Placement Plan
Scale: 1/4"=1'

CITY / CO.	Angier / Harnett
ADDRESS	Wendywood Lane
MODEL	Roof
DATE REV.	01/31/22
DRAWN BY	David Landry
SALES REP.	Lenny Norris
BUILDER	Weaver Development Co. Inc.
JOB NAME	Lot 7 Mitchell Manor I I
PLAN	Brinkley "B" / 3GLF, CP
SEAL DATE	N/A
QUOTE #	
JOB #	J0122-0372

THIS IS A TRUSS PLACEMENT DIAGRAM ONLY. These trusses are designed as individual building components to be incorporated into the building design at the specification of the building designer. See individual design sheets for each truss design identified on the placement drawing. The building designer is responsible for temporary and permanent bracing of the roof and floor system and for the overall structure. The design of the truss support structure including headers, beams, walls, and columns is the responsibility of the building designer. For general guidance regarding bracing, consult BCSI-B1 and BCSI-B3 provided with the truss delivery package or online @ sbcindustry.com

△ = Indicates Left End of Truss
(Reference Engineered Truss Drawing)
Do NOT Erect Truss Backwards



Trenco
818 Soundside Rd
Edenton, NC 27932

Re: J0122-0372
Lot 7 Mitchell Manor II

The truss drawing(s) referenced below have been prepared by Truss Engineering Co. under my direct supervision based on the parameters provided by Comtech, Inc - Fayetteville.

Pages or sheets covered by this seal: I49971056 thru I49971085

My license renewal date for the state of North Carolina is December 31, 2022.

North Carolina COA: C-0844



January 31, 2022

Gilbert, Eric

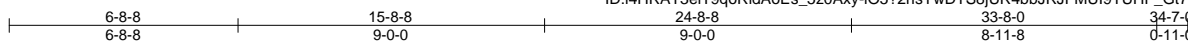
IMPORTANT NOTE: The seal on these truss component designs is a certification that the engineer named is licensed in the jurisdiction(s) identified and that the designs comply with ANSI/TPI 1. These designs are based upon parameters shown (e.g., loads, supports, dimensions, shapes and design codes), which were given to MiTek or TRENCO. Any project specific information included is for MiTek's or TRENCO's customers file reference purpose only, and was not taken into account in the preparation of these designs. MiTek or TRENCO has not independently verified the applicability of the design parameters or the designs for any particular building. Before use, the building designer should verify applicability of design parameters and properly incorporate these designs into the overall building design per ANSI/TPI 1, Chapter 2.

Job	Truss	Truss Type	Qty	Ply	Lot 7 Mitchell Manor II	I49971056
J01122-0372	A1	COMMON	1	1	Job Reference (optional)	

Comtech, Inc. Fayetteville, NC - 28314,

8.430 s Aug 16 2021 MiTek Industries, Inc. Mon Jan 31 08:12:22 2022 Page 1

ID:4HRA73eIT9qoRldAoEs_5z0Axy-IO5?2hsYwDTS8jUR4bbJRJFMUI9TUHF_Gt75Jwzpgt



5x8 =

Scale: 3/16"=1'

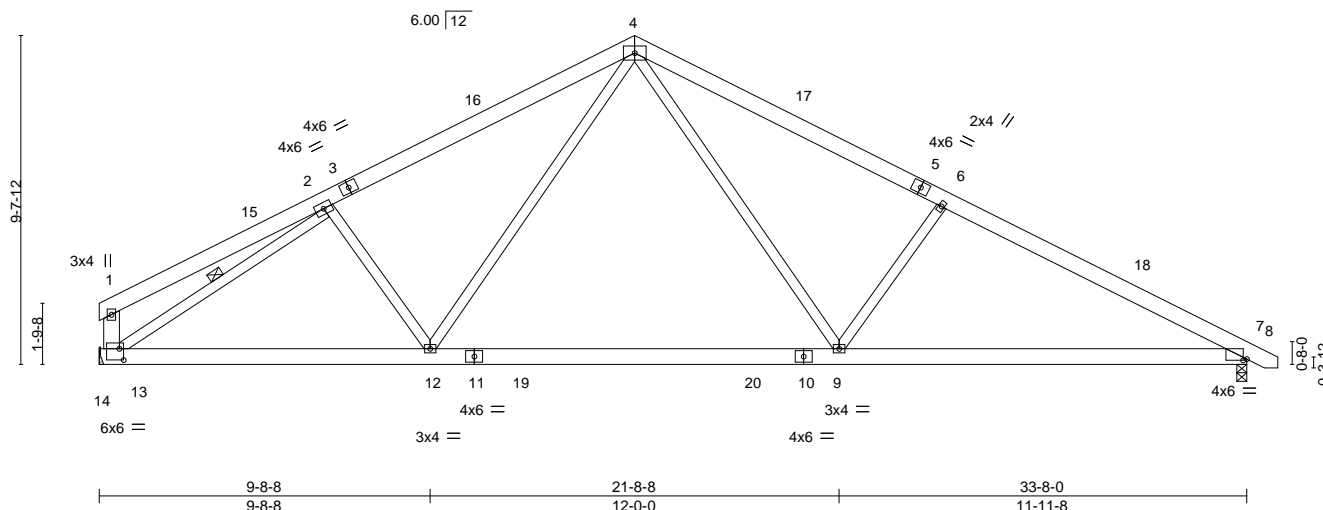


Plate Offsets (X,Y)-- [7:0-1-4,0-0-7], [13:0-1-8,0-4-0]

LOADING (psf)	SPACING-	CSI.	DEFL.	PLATES	GRIP
TCLL 20.0	2-0-0	TC 0.36	in (loc) l/defl L/d	MT20	244/190
TCDL 10.0	Plate Grip DOL 1.15	BC 0.66	Vert(LL) -0.35 9-12 >999 360		
BCLL 0.0 *	Lumber DOL 1.15	WB 0.57	Vert(CT) -0.48 9-12 >833 240		
BCDL 10.0	Rep Stress Incr YES	Matrix-S	Horz(CT) 0.05 7 n/a n/a		
	Code IRC2015/TPI2014		Wind(LL) 0.07 7-9 >999 240	Weight: 230 lb	FT = 20%

LUMBER-

TOP CHORD 2x6 SP No.1
 BOT CHORD 2x6 SP No.1
 WEBS 2x4 SP No.2 *Except*
 1-13: 2x6 SP No.1

BRACING-

TOP CHORD Structural wood sheathing directly applied or 4-9-10 oc purlins, except end verticals.
 BOT CHORD Rigid ceiling directly applied or 9-9-4 oc bracing.
 WEBS 1 Row at midt 2-13

REACTIONS.

(size) 13=Mechanical, 7=0-3-8
 Max Horz 13=-193(LC 13)
 Max Uplift 13=-222(LC 12), 7=-263(LC 13)
 Max Grav 13=1333(LC 1), 7=1379(LC 1)

FORCES.

(lb) - Max. Comp./Max. Ten. - All forces 250 (lb) or less except when shown.
 TOP CHORD 1-2=-300/179, 2-4=-1841/805, 4-6=-2084/871, 6-7=-2336/875, 1-13=-254/214
 BOT CHORD 12-13=-482/1658, 9-12=-230/1276, 7-9=-635/1990
 WEBS 2-12=-242/311, 4-12=-140/593, 4-9=-273/970, 6-9=-522/454, 2-13=-1806/660

NOTES-

- Unbalanced roof live loads have been considered for this design.
- Wind: ASCE 7-10; Vult=150mph Vasd=119mph; TCDL=6.0psf; BCDL=6.0psf; h=15ft; Cat. II; Exp C; Enclosed; MWFRS (envelope) and C-C Exterior(2) 0-4-4 to 4-9-1, Interior(1) 4-9-1 to 15-8-8, Exterior(2) 15-8-8 to 20-1-5, Interior(1) 20-1-5 to 34-4-10 zone; C-C for members and forces & MWFRS for reactions shown; Lumber DOL=1.60 plate grip DOL=1.60
- This truss has been designed for a 10.0 psf bottom chord live load nonconcurrent with any other live loads.
- * This truss has been designed for a live load of 30.0psf on the bottom chord in all areas where a rectangle 3-6-0 tall by 2-0-0 wide will fit between the bottom chord and any other members, with BCDL = 10.0psf.
- Refer to girder(s) for truss to truss connections.
- Provide mechanical connection (by others) of truss to bearing plate capable of withstanding 222 lb uplift at joint 13 and 263 lb uplift at joint 7.
- This truss is designed in accordance with the 2015 International Residential Code sections R502.11.1 and R802.10.2 and referenced standard ANSI/TPI 1.



January 31, 2022

WARNING - Verify design parameters and READ NOTES ON THIS AND INCLUDED MITTEK REFERENCE PAGE MII-7473 rev. 5/19/2020 BEFORE USE.

Design valid for use only with MiTek® connectors. This design is based only upon parameters shown, and is for an individual building component, not a truss system. Before use, the building designer must verify the applicability of design parameters and properly incorporate this design into the overall building design. Bracing indicated is to prevent buckling of individual truss web and/or chord members only. Additional temporary and permanent bracing is always required for stability and to prevent collapse with possible personal injury and property damage. For general guidance regarding the fabrication, storage, delivery, erection and bracing of trusses and truss systems, see ANSI/TPI1 Quality Criteria, DSB-89 and BCSI Building Component Safety Information available from Truss Plate Institute, 2670 Crain Highway, Suite 203 Waldorf, MD 20601

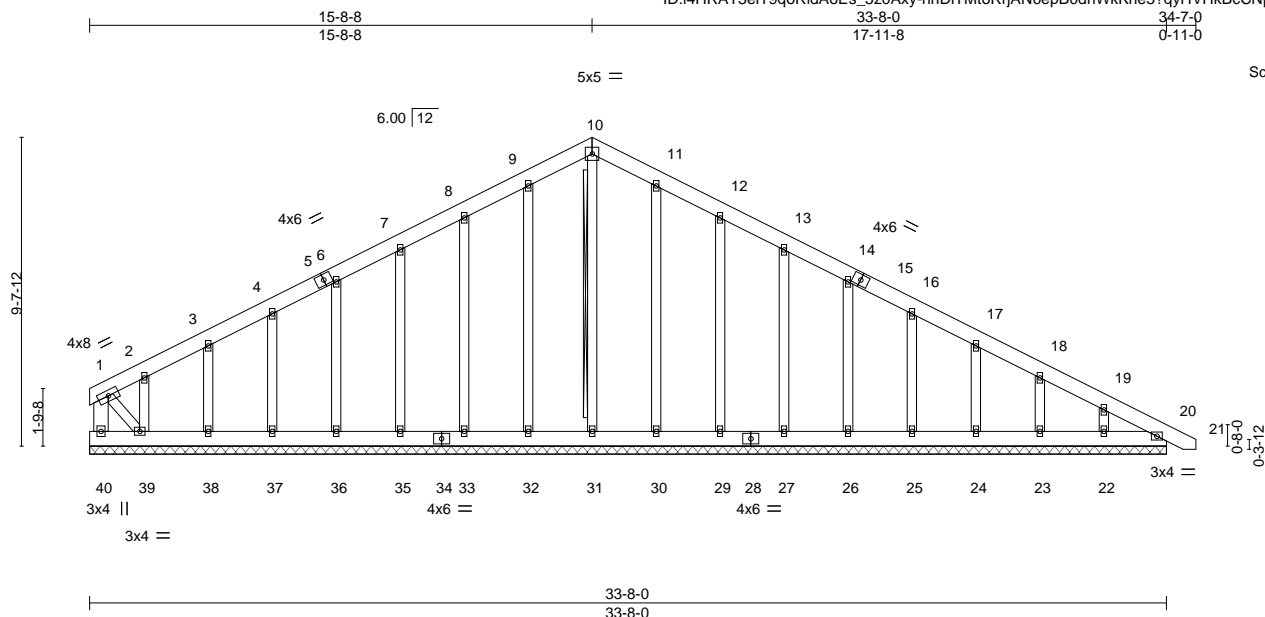


818 Soundside Road
 Edenton, NC 27932

Job J0122-0372	Truss A1GE	Truss Type COMMON SUPPORTED GAB	Qty 1	Ply 1	Lot 7 Mitchell Manor II Job Reference (optional)	I49971057
-------------------	---------------	------------------------------------	----------	----------	---	-----------

Comtech, Inc. Fayetteville, NC - 28314,

8.430 s Aug 16 2021 MiTek Industries, Inc. Mon Jan 31 08:12:24 2022 Page 1
 ID:I4HRAT3eIT9qRIdAoEs_5z0Axy-hnDITMtoRrjAN0epB0dnWkKne5?yHVHkBCnNpzgR
 33-8-0 34-7-0
 17-11-8 0-11-0



Scale = 1:67.8

LOADING (psf)	SPACING-	CSI.	DEFL.	PLATES	GRIP
TCLL 20.0	2-0-0	TC 0.06	in (loc) l/defl L/d	MT20	244/190
TCDL 10.0	Plate Grip DOL 1.15	BC 0.03	Vert(LL) 0.00 20 n/r 120		
BCLL 0.0 *	Lumber DOL 1.15	WB 0.14	Vert(CT) 0.00 20 n/r 120		
BCDL 10.0	Rep Stress Incr YES	Matrix-S	Horz(CT) 0.01 20 n/a n/a		
	Code IRC2015/TPI2014			Weight: 288 lb	FT = 20%

LUMBER-

TOP CHORD 2x6 SP No.1
 BOT CHORD 2x6 SP No.1
 WEBS 2x6 SP No.1 *Except*
 1-39: 2x4 SP No.2
 OTHERS 2x4 SP No.2

BRACING-

TOP CHORD Structural wood sheathing directly applied or 6-0-0 oc purlins, except end verticals.
 BOT CHORD Rigid ceiling directly applied or 10-0-0 oc bracing.
 WEBS T-Brace: 2x4 SPF No.2 - 10-31
 Fasten (2X) T and I braces to narrow edge of web with 10d (0.131"x3") nails, 6in o.c., with 3in minimum end distance.
 Brace must cover 90% of web length.

REACTIONS.

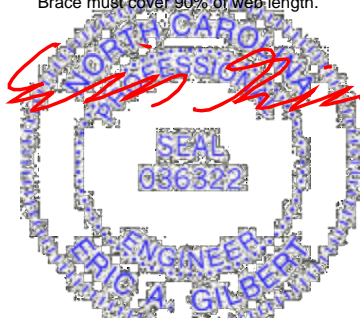
All bearings 33-8-0.
 (lb) - Max Horz 40=-309(LC 13)
 Max Uplift All uplift 100 lb or less at joint(s) 32, 30, 20 except 40=-119(LC 17), 33=-119(LC 12), 35=-108(LC 12), 36=-107(LC 12), 37=-108(LC 12), 38=-110(LC 12), 39=-341(LC 12), 29=-122(LC 13), 27=-108(LC 13), 26=-107(LC 13), 25=-108(LC 13), 24=-108(LC 13), 23=-107(LC 13), 22=-134(LC 13)
 Max Grav All reactions 250 lb or less at joint(s) 31, 32, 33, 35, 36, 37, 38, 39, 30, 29, 27, 26, 25, 24, 23, 22, 20 except 40=328(LC 12)

FORCES.

(lb) - Max. Comp./Max. Ten. - All forces 250 (lb) or less except when shown.
 TOP CHORD 1-40=-306/120, 7-8=-109/273, 8-9=-138/357, 9-10=-158/412, 10-11=-158/412, 11-12=-138/357, 12-13=-109/273, 19-20=-254/80
 BOT CHORD 39-40=-159/298, 38-39=-73/258, 37-38=-73/258, 36-37=-73/258, 35-36=-73/258, 33-35=-73/258, 32-33=-73/258, 31-32=-73/258, 30-31=-73/258, 29-30=-73/258, 27-29=-73/258, 26-27=-73/258, 25-26=-73/258, 24-25=-73/258, 23-24=-73/258, 22-23=-73/258, 20-22=-73/258
 WEBS 1-39=-102/304

NOTES-

- Unbalanced roof live loads have been considered for this design.
- Wind: ASCE 7-10; Vult=150mph Vasd=119mph; TC DL=6.0psf; BC DL=6.0psf; h=15ft; Cat. II; Exp C; Enclosed; MWFRS (envelope) gable end zone and C-C Exterior(2) zone; C-C for members and forces & MWFRS for reactions shown; Lumber DOL=1.60 plate grip DOL=1.60
- Truss designed for wind loads in the plane of the truss only. For studs exposed to wind (normal to the face), see Standard Industry Gable End Details as applicable, or consult qualified building designer as per ANSI/TPI 1.
- All plates are 2x4 MT20 unless otherwise indicated.
- Gable requires continuous bottom chord bearing.
- Gable studs spaced at 2-0-0 oc.
- This truss has been designed for a 10.0 psf bottom chord live load nonconcurrent with any other live loads.
- * This truss has been designed for a live load of 30.0psf on the bottom chord in all areas where a rectangle 3-6-0 tall by 2-0-0 wide will fit between the bottom chord and any other members.
- Provide mechanical connection (by others) of truss to bearing plate capable of withstanding 100 lb uplift at joint(s) 32, 30, 20 except (jt=lb) 40=119, 33=119, 35=108, 36=107, 37=108, 38=110, 39=341, 29=122, 27=108, 26=107, 25=108, 24=108, 23=107, 22=134.
- This truss is designed in accordance with the 2015 International Residential Code sections R502.11.1 and R802.10.2 and



January 31, 2022

Comtech complies with standard ANSI/TPI 1.

WARNING - Verify design parameters and READ NOTES ON THIS AND INCLUDED MITEK REFERENCE PAGE MII-7473 rev. 5/19/2020 BEFORE USE.
 Design valid for use only with MiTek® connectors. This design is based only upon parameters shown, and is for an individual building component, not a truss system. Before use, the building designer must verify the applicability of design parameters and properly incorporate this design into the overall building design. Bracing indicated is to prevent buckling of individual truss web and/or chord members only. Additional temporary and permanent bracing is always required for stability and to prevent collapse with possible personal injury and property damage. For general guidance regarding the fabrication, storage, delivery, erection and bracing of trusses and truss systems, see **ANSI/TPI1 Quality Criteria, DSB-89 and BCSI Building Component Safety Information** available from Truss Plate Institute, 2670 Crain Highway, Suite 203 Waldorf, MD 20601



818 Soundside Road
 Edenton, NC 27932

Job J0122-0372	Truss A1GE	Truss Type COMMON SUPPORTED GAB	Qty 1	Ply 1	Lot 7 Mitchell Manor II Job Reference (optional) I49971057
-------------------	---------------	------------------------------------	----------	----------	--

Comtech, Inc, Fayetteville, NC - 28314,

8.430 s Aug 16 2021 MiTek Industries, Inc. Mon Jan 31 08:12:24 2022 Page 2
ID:l4HRAT3eIT9qoRldAoEs_5z0Axy-hnDITMtoRrjAN0epB0dnWkKne5?yqHVHkBCcNpzipgr

NOTES-

11) Warning: Additional permanent and stability bracing for truss system (not part of this component design) is always required.

WARNING - Verify design parameters and READ NOTES ON THIS AND INCLUDED MITEK REFERENCE PAGE MII-7473 rev. 5/19/2020 BEFORE USE.

Design valid for use only with MiTek® connectors. This design is based only upon parameters shown, and is for an individual building component, not a truss system. Before use, the building designer must verify the applicability of design parameters and properly incorporate this design into the overall building design. Bracing indicated is to prevent buckling of individual truss web and/or chord members only. Additional temporary and permanent bracing is always required for stability and to prevent collapse with possible personal injury and property damage. For general guidance regarding the fabrication, storage, delivery, erection and bracing of trusses and truss systems, see **ANSI/TPI1 Quality Criteria, DSB-89 and BCSI Building Component Safety Information** available from Truss Plate Institute, 2670 Crain Highway, Suite 203 Waldorf, MD 20601

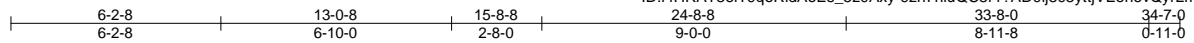


818 Soundside Road
Edenton, NC 27932

Job	Truss	Truss Type	Qty	Ply	Lot 7 Mitchell Manor II	I49971058
J0122-0372	A2	Roof Special	4	1	Job Reference (optional)	

Comtech, Inc. Fayetteville, NC - 28314.

8.430 s Aug 16 2021 MiTek Industries, Inc. Mon Jan 31 08:12:25 2022 Page 1
 ID:4HRAT3eIT9qoRldAoEs_5z0Axy-9zn7hiuQC8r1?AD0lj803yttjVEehevQyrLmvFzpuqg



Scale: 3/16"=1'

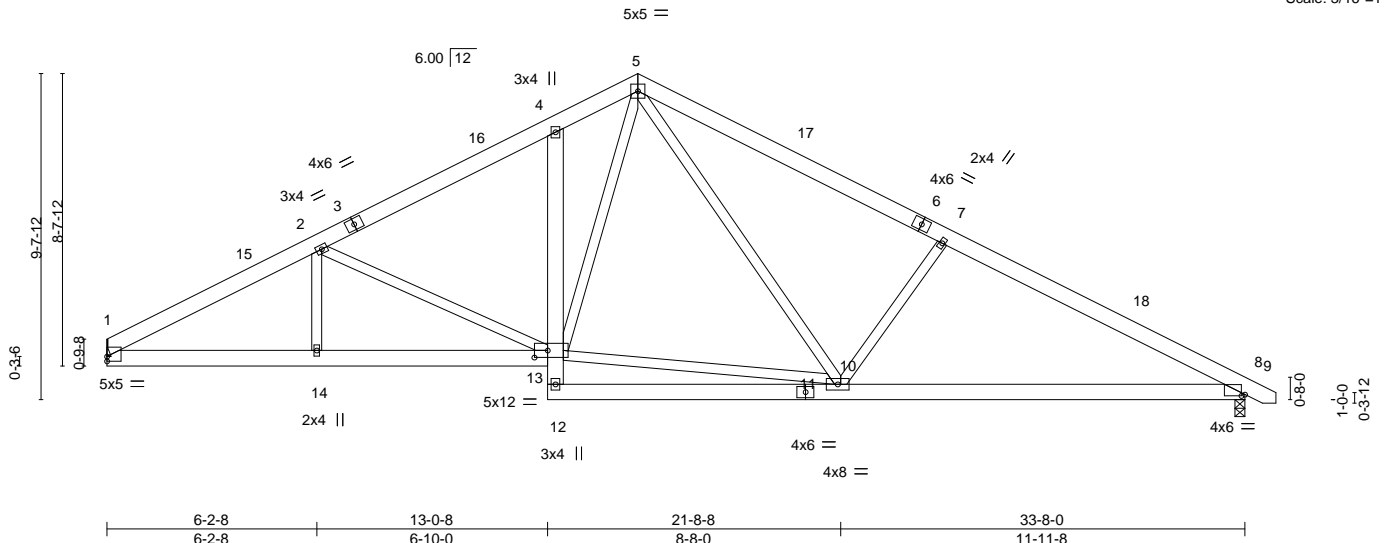


Plate Offsets (X,Y)-- [1:0-0-0,0-1-11], [8:0-1-4,0-0-7], [13:0-4-12,0-2-8]

LOADING (psf)	SPACING-	CSI.	DEFL.	PLATES	GRIP
TCLL 20.0	2-0-0	TC 0.36	in (loc) l/defl L/d	MT20	244/190
TCDL 10.0	Plate Grip DOL 1.15	BC 0.50	Vert(LL) -0.14 8-10 >999 360		
BCLL 0.0 *	Lumber DOL 1.15	WB 0.58	Vert(CT) -0.31 8-10 >999 240		
BCDL 10.0	Rep Stress Incr YES	Matrix-S	Horz(CT) 0.06 8 n/a n/a		
	Code IRC2015/TPI2014		Wind(LL) 0.07 8-10 >999 240	Weight: 250 lb	FT = 20%

LUMBER-
 TOP CHORD 2x6 SP No.1
 BOT CHORD 2x6 SP No.1
 WEBS 2x4 SP No.2

BRACING-
 TOP CHORD Structural wood sheathing directly applied or 4-9-10 oc purlins.
 BOT CHORD Rigid ceiling directly applied or 9-7-15 oc bracing.

REACTIONS. (size) 1=Mechanical, 8=0-3-8
 Max Horz 1=180(LC 13)
 Max Uplift 1=232(LC 12), 8=271(LC 13)
 Max Grav 1=1338(LC 1), 8=1391(LC 1)

FORCES. (lb) - Max. Comp./Max. Ten. - All forces 250 (lb) or less except when shown.
 TOP CHORD 1-2=2401/917, 2-4=1846/799, 4-5=1715/885, 5-7=1992/885, 7-8=2282/897
 BOT CHORD 1-14=633/2050, 13-14=633/2050, 4-13=270/273, 10-12=64/251, 8-10=652/1953
 WEBS 2-14=0/303, 2-13=561/329, 10-13=188/1073, 5-13=355/764, 5-10=253/676,
 7-10=522/457

- NOTES-**
- Unbalanced roof live loads have been considered for this design.
 - Wind: ASCE 7-10; Vult=150mph Vasd=119mph; TCCL=6.0psf; BCCL=6.0psf; h=15ft; Cat. II; Exp C; Enclosed; MWFRS (envelope) and C-C Exterior(2) 0-0-12 to 4-5-9, Interior(1) 4-5-9 to 15-8-8, Exterior(2) 15-8-8 to 20-1-5, Interior(1) 20-1-5 to 34-4-10 zone; C-C for members and forces & MWFRS for reactions shown; Lumber DOL=1.60 plate grip DOL=1.60
 - This truss has been designed for a 10.0 psf bottom chord live load nonconcurrent with any other live loads.
 - * This truss has been designed for a live load of 30.0psf on the bottom chord in all areas where a rectangle 3-6-0 tall by 2-0-0 wide will fit between the bottom chord and any other members.
 - Refer to girder(s) for truss to truss connections.
 - Provide mechanical connection (by others) of truss to bearing plate capable of withstanding 100 lb uplift at joint(s) except (jt=lb) 1=232, 8=271.
 - This truss is designed in accordance with the 2015 International Residential Code sections R502.11.1 and R802.10.2 and referenced standard ANSI/TPI 1.
 - Gap between inside of top chord bearing and first diagonal or vertical web shall not exceed 0.500in.



January 31, 2022

WARNING - Verify design parameters and READ NOTES ON THIS AND INCLUDED MITEK REFERENCE PAGE MII-7473 rev. 5/19/2020 BEFORE USE.
 Design valid for use only with MiTek® connectors. This design is based only upon parameters shown, and is for an individual building component, not a truss system. Before use, the building designer must verify the applicability of design parameters and properly incorporate this design into the overall building design. Bracing indicated is to prevent buckling of individual truss web and/or chord members only. Additional temporary and permanent bracing is always required for stability and to prevent collapse with possible personal injury and property damage. For general guidance regarding the fabrication, storage, delivery, erection and bracing of trusses and truss systems, see **ANSI/TPI1 Quality Criteria, DSB-89 and BCSI Building Component Safety Information** available from Truss Plate Institute, 2670 Crain Highway, Suite 203 Waldorf, MD 20601

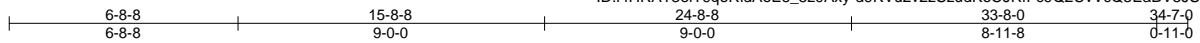


Job J0122-0372	Truss A3	Truss Type COMMON	Qty 3	Ply 1	Lot 7 Mitchell Manor II Job Reference (optional)	I49971059
-------------------	-------------	----------------------	----------	----------	---	-----------

Comtech, Inc., Fayetteville, NC - 28314,

8.430 s Aug 16 2021 MiTek Industries, Inc. Mon Jan 31 08:12:26 2022 Page 1

ID:I4HRAT3eIT9qoRldAoEs_5z0Axy-d9KVu2v2zSzudKoCJRfFc9Q2UvVcQ5EaBV5JShzpugp



5x8 =

Scale: 3/16"=1'

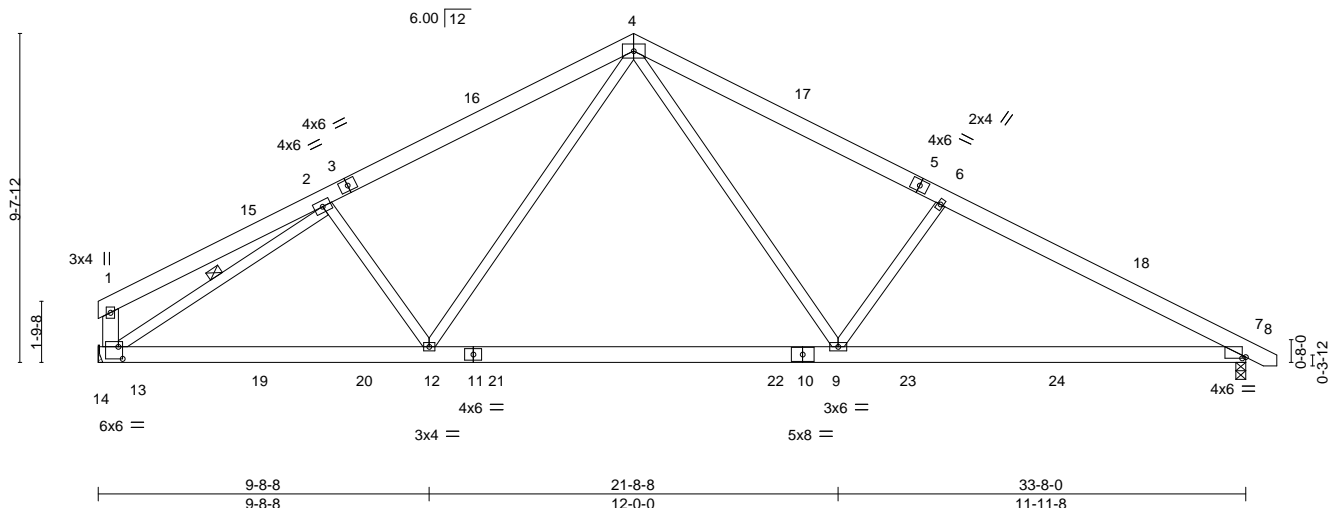


Plate Offsets (X,Y)-- [7:0-1-4,0-0-7], [13:0-1-8,0-4-4]

LOADING (psf)	SPACING-	CSI.	DEFL.	PLATES	GRIP
TCLL 20.0	2-0-0	TC 0.36	in (loc) l/defl L/d	MT20	244/190
TCDL 10.0	Plate Grip DOL 1.15	BC 0.78	Vert(LL) -0.30 9-12 >999 360		
BCLL 0.0 *	Lumber DOL 1.15	WB 0.57	Vert(CT) -0.42 9-12 >946 240		
BCDL 10.0	Rep Stress Incr YES	Matrix-S	Horz(CT) 0.06 7 n/a n/a		
	Code IRC2015/TPI2014		Wind(LL) 0.07 7-9 >999 240	Weight: 230 lb	FT = 20%

LUMBER-

TOP CHORD 2x6 SP No.1
 BOT CHORD 2x6 SP No.1
 WEBS 2x4 SP No.2 *Except*
 1-13: 2x6 SP No.1

BRACING-

TOP CHORD Structural wood sheathing directly applied or 4-5-3 oc purlins, except end verticals.
 BOT CHORD Rigid ceiling directly applied or 9-9-4 oc bracing.
 WEBS 1 Row at midt 2-13

REACTIONS.

(size) 13=Mechanical, 7=0-3-8
 Max Horz 13=-193(LC 13)
 Max Uplift 13=-222(LC 12), 7=-263(LC 13)
 Max Grav 13=1525(LC 2), 7=1551(LC 2)

FORCES.

(lb) - Max. Comp./Max. Ten. - All forces 250 (lb) or less except when shown.
 TOP CHORD 1-2=-323/179, 2-4=-2090/805, 4-6=-2413/871, 6-7=-2646/875, 1-13=-255/214
 BOT CHORD 12-13=-482/1866, 9-12=-230/1449, 7-9=-635/2287
 WEBS 2-12=-242/311, 4-12=-140/683, 4-9=-273/1190, 6-9=-522/454, 2-13=-1940/660

NOTES-

- Unbalanced roof live loads have been considered for this design.
- Wind: ASCE 7-10; Vult=150mph Vasd=119mph; TCDL=6.0psf; BCDL=6.0psf; h=15ft; Cat. II; Exp C; Enclosed; MWFRS (envelope) and C-C Exterior(2) 0-4-4 to 4-9-1, Interior(1) 4-9-1 to 15-8-8, Exterior(2) 15-8-8 to 20-1-5, Interior(1) 20-1-5 to 34-4-10 zone; C-C for members and forces & MWFRS for reactions shown; Lumber DOL=1.60 plate grip DOL=1.60
- This truss has been designed for a 10.0 psf bottom chord live load nonconcurrent with any other live loads.
- * This truss has been designed for a live load of 30.0psf on the bottom chord in all areas where a rectangle 2-6-0 tall by 2-0-0 wide will fit between the bottom chord and any other members, with BCDL = 10.0psf.
- Refer to girder(s) for truss to truss connections.
- Provide mechanical connection (by others) of truss to bearing plate capable of withstanding 100 lb uplift at joint(s) except (jt=lb) 13=222, 7=263.
- This truss is designed in accordance with the 2015 International Residential Code sections R502.11.1 and R802.10.2 and referenced standard ANSI/TPI 1.



January 31, 2022

WARNING - Verify design parameters and READ NOTES ON THIS AND INCLUDED MITEK REFERENCE PAGE MII-7473 rev. 5/19/2020 BEFORE USE.
 Design valid for use only with MiTek® connectors. This design is based only upon parameters shown, and is for an individual building component, not a truss system. Before use, the building designer must verify the applicability of design parameters and properly incorporate this design into the overall building design. Bracing indicated is to prevent buckling of individual truss web and/or chord members only. Additional temporary and permanent bracing is always required for stability and to prevent collapse with possible personal injury and property damage. For general guidance regarding the fabrication, storage, delivery, erection and bracing of trusses and truss systems, see ANSI/TPI1 Quality Criteria, DSB-89 and BCSI Building Component Safety Information available from Truss Plate Institute, 2670 Crain Highway, Suite 203 Waldorf, MD 20601



818 Soundside Road
 Edenton, NC 27932

Job J01122-0372	Truss A3A	Truss Type COMMON	Qty 1	Ply 1	Lot 7 Mitchell Manor II Job Reference (optional)	I49971060
--------------------	--------------	----------------------	----------	----------	---	-----------

Comtech, Inc. Fayetteville, NC - 28314, 8.430 s Aug 16 2021 MiTek Industries, Inc. Mon Jan 31 08:12:27 2022 Page 1
 ID:I4HRAT3elT9qoRldAoEs_5z0Axy-6Muu6OwgkmsIEUNOt8AV8Ny96Jok9VOJQ9gs_8zpuo
 6-8-8 6-8-8 15-8-8 9-0-0 24-8-8 9-0-0 33-8-0 8-11-8 34-7-0 0-11-0

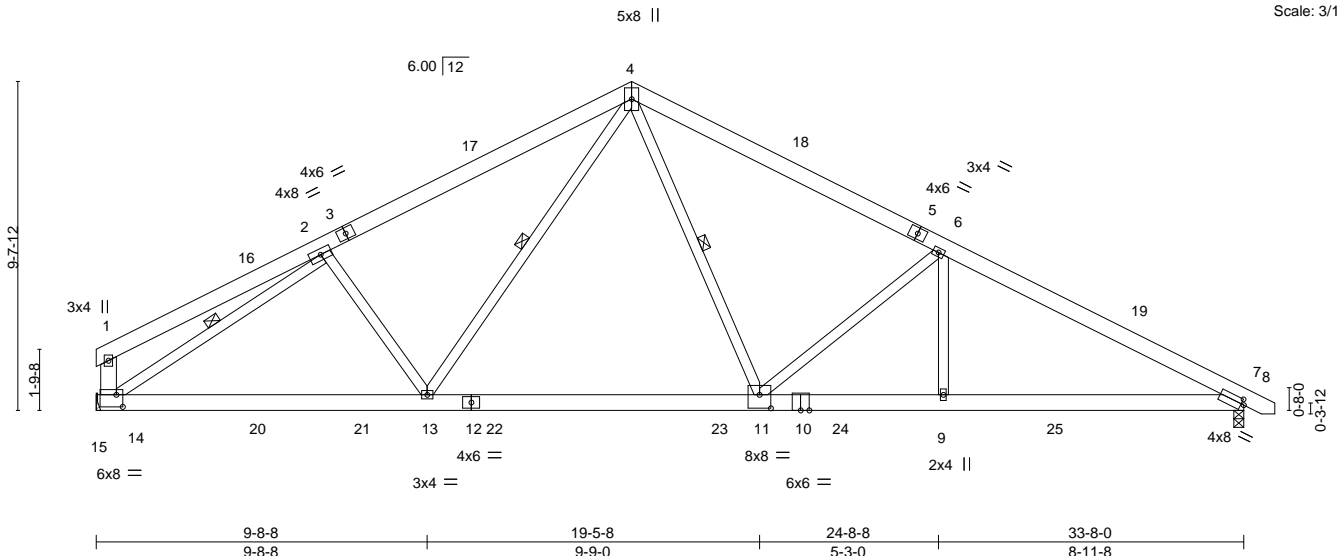


Plate Offsets (X,Y)-- [7:0-1-0,0-1-13], [11:0-4-0,0-4-12], [14:0-2-4,0-4-4]

LOADING (psf)	SPACING-	CSI.	DEFL.	PLATES	GRIP
TCLL 20.0	2-0-0	TC 0.56	in (loc) l/defl L/d	MT20	244/190
TCDL 10.0	Plate Grip DOL 1.15	BC 0.97	Vert(LL) -0.19 11-13 >999 360		
BCLL 0.0 *	Lumber DOL 1.15	WB 0.77	Vert(CT) -0.32 11-13 >999 240		
BCDL 10.0	Rep Stress Incr NO	Matrix-S	Horz(CT) 0.09 7 n/a n/a		
	Code IRC2015/TPI2014		Wind(LL) 0.21 9-11 >999 240	Weight: 237 lb	FT = 20%

LUMBER-

TOP CHORD 2x6 SP No.1
 BOT CHORD 2x6 SP No.1
 WEBS 2x4 SP No.2 *Except*
 1-14: 2x6 SP No.1

BRACING-

TOP CHORD Structural wood sheathing directly applied or 3-4-9 oc purlins, except end verticals.
 BOT CHORD Rigid ceiling directly applied or 5-9-3 oc bracing.
 WEBS 1 Row at midpt 4-13, 4-11, 2-14

REACTIONS.

(size) 14=Mechanical, 7=0-3-8
 Max Horz 14=-193(LC 13)
 Max Uplift 14=-373(LC 12), 7=-491(LC 13)
 Max Grav 14=2046(LC 19), 7=2357(LC 20)

FORCES.

(lb) - Max. Comp./Max. Ten. - All forces 250 (lb) or less except when shown.
 TOP CHORD 1-2=-435/227, 2-4=-2926/1389, 4-6=-3695/1822, 6-7=-4439/2001, 1-14=-315/241
 BOT CHORD 13-14=-948/2587, 11-13=-817/2396, 9-11=-1625/3860, 7-9=-1625/3860
 WEBS 2-13=-67/282, 4-13=-80/441, 4-11=-1088/2378, 6-11=-890/520, 2-14=-2661/1191,
 6-9=-78/489

NOTES-

- Unbalanced roof live loads have been considered for this design.
- Wind: ASCE 7-10; Vult=150mph Vasd=119mph; TCCL=6.0psf; BCDL=6.0psf; h=15ft; Cat. II; Exp C; Enclosed; MWFRS (envelope) and C-C Exterior(2) 0-4-4 to 4-9-1, Interior(1) 4-9-1 to 15-8-8, Exterior(2) 15-8-8 to 20-1-5, Interior(1) 20-1-5 to 34-4-10 zone; C-C for members and forces & MWFRS for reactions shown; Lumber DOL=1.60 plate grip DOL=1.60
- This truss has been designed for a 10.0 psf bottom chord live load nonconcurrent with any other live loads.
- * This truss has been designed for a live load of 30.0psf on the bottom chord in all areas where a rectangle 2-6-0 tall by 2-0-0 wide will fit between the bottom chord and any other members, with BCDL = 10.0psf.
- Refer to girder(s) for truss to truss connections.
- Provide mechanical connection (by others) of truss to bearing plate capable of withstanding 100 lb uplift at joint(s) except (jt=lb) 14=373, 7=491.
- This truss is designed in accordance with the 2015 International Residential Code sections R502.11.1 and R802.10.2 and referenced standard ANSI/TPI 1.
- Hanger(s) or other connection device(s) shall be provided sufficient to support concentrated load(s) 985 lb down and 552 lb up at 19-7-12, and 575 lb down and 322 lb up at 21-9-4 on bottom chord. The design/selection of such connection device(s) is the responsibility of others.
- In the LOAD CASE(S) section, loads applied to the face of the truss are noted as front (F) or back (B).

LOAD CASE(S) Standard

- Dead + Roof Live (balanced): Lumber Increase=1.15, Plate Increase=1.15
 Uniform Loads (plf)
 Vert: 1-4=-60, 4-8=-60, 7-15=-20



January 31, 2022

Continued on page 2

WARNING - Verify design parameters and READ NOTES ON THIS AND INCLUDED MITEK REFERENCE PAGE MIL-7473 rev. 5/19/2020 BEFORE USE.
 Design valid for use only with MiTek® connectors. This design is based only upon parameters shown, and is for an individual building component, not a truss system. Before use, the building designer must verify the applicability of design parameters and properly incorporate this design into the overall building design. Bracing indicated is to prevent buckling of individual truss web and/or chord members only. Additional temporary and permanent bracing is always required for stability and to prevent collapse with possible personal injury and property damage. For general guidance regarding the fabrication, storage, delivery, erection and bracing of trusses and truss systems, see **ANSI/TPI1 Quality Criteria, DSB-89 and BCSI Building Component Safety Information** available from Truss Plate Institute, 2670 Crain Highway, Suite 203 Waldorf, MD 20601



Job J0122-0372	Truss A3A	Truss Type COMMON	Qty 1	Ply 1	Lot 7 Mitchell Manor II I49971060 Job Reference (optional)
-------------------	--------------	----------------------	----------	----------	--

Comtech, Inc, Fayetteville, NC - 28314,

8.430 s Aug 16 2021 MiTek Industries, Inc. Mon Jan 31 08:12:27 2022 Page 2
ID:I4HRAT3elT9qoRIdAoEs_5z0Axy-6Muu6Owgkm5IEUNOt8AV8Ny96Jok9VOjQ9qs_8zpugo

LOAD CASE(S) Standard
Concentrated Loads (lb)
Vert: 11=-985(F) 24=-575(F)

WARNING - Verify design parameters and READ NOTES ON THIS AND INCLUDED MITEK REFERENCE PAGE MII-7473 rev. 5/19/2020 BEFORE USE.

Design valid for use only with MiTek® connectors. This design is based only upon parameters shown, and is for an individual building component, not a truss system. Before use, the building designer must verify the applicability of design parameters and properly incorporate this design into the overall building design. Bracing indicated is to prevent buckling of individual truss web and/or chord members only. Additional temporary and permanent bracing is always required for stability and to prevent collapse with possible personal injury and property damage. For general guidance regarding the fabrication, storage, delivery, erection and bracing of trusses and truss systems, see **ANSI/TPI1 Quality Criteria, DSB-89 and BCSI Building Component Safety Information** available from Truss Plate Institute, 2670 Crain Highway, Suite 203 Waldorf, MD 20601

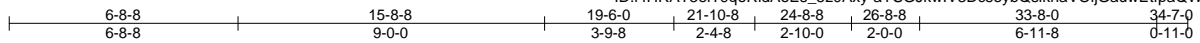


818 Soundside Road
Edenton, NC 27932

Job J0122-0372	Truss A4	Truss Type GABLE	Qty 1	Ply 1	Lot 7 Mitchell Manor II Job Reference (optional)	I49971061
-------------------	-------------	---------------------	----------	----------	---	-----------

Comtech, Inc. Fayetteville, NC - 28314.

8.430 s Aug 16 2021 MiTek Industries, Inc. Mon Jan 31 08:12:28 2022 Page 1



5x5 =

Scale: 3/16"=1'

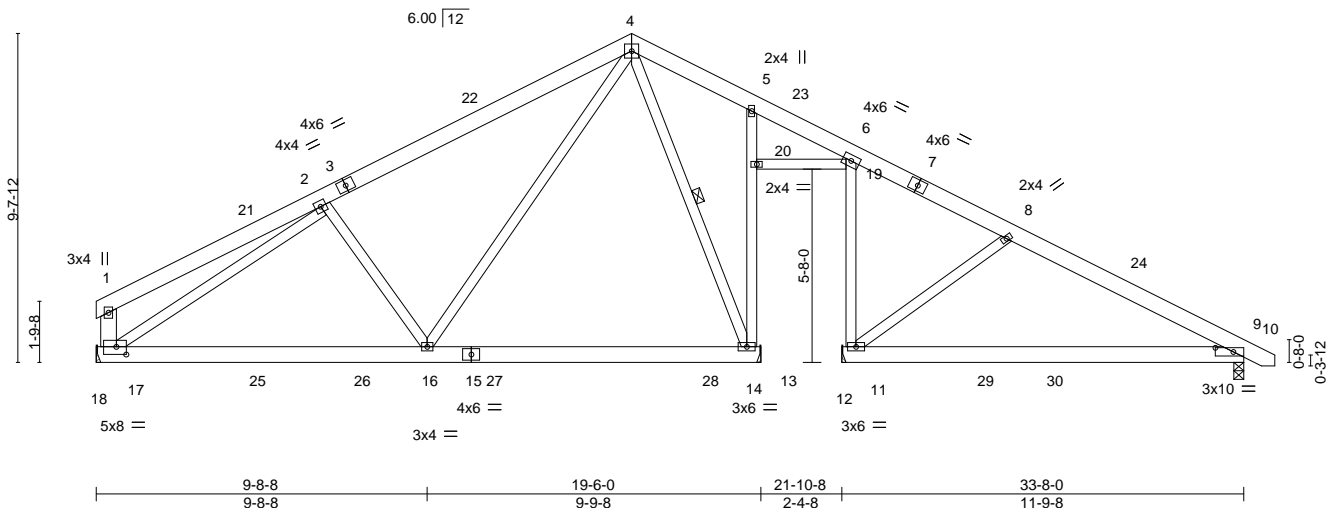


Plate Offsets (X,Y)-- [9:0-6-6,0-1-8], [17:0-3-8,0-2-12]

LOADING (psf)	SPACING-	CSI.	DEFL.	PLATES	GRIP
TCLL 20.0	2-0-0	TC 0.31	in (loc) l/defl L/d	MT20	244/190
TCDL 10.0	Plate Grip DOL 1.15	BC 0.49	Vert(LL) -0.17 14-16 >999 360		
BCLL 0.0 *	Lumber DOL 1.15	WB 0.86	Vert(CT) -0.34 9-11 >397 240		
BCDL 10.0	Rep Stress Incr YES	Matrix-S	Horz(CT) 0.02 11 n/a n/a		
	Code IRC2015/TPI2014		Wind(LL) 0.02 9-11 >999 240	Weight: 246 lb	FT = 20%

LUMBER-

TOP CHORD 2x6 SP No.1
 BOT CHORD 2x6 SP No.1
 WEBS 2x4 SP No.2 *Except*
 1-17: 2x6 SP No.1

BRACING-

TOP CHORD Structural wood sheathing directly applied or 6-0-0 oc purlins, except end verticals.
 BOT CHORD Rigid ceiling directly applied or 10-0-0 oc bracing.
 WEBS 1 Row at midpt 4-14

REACTIONS.

All bearings Mechanical except (jt=length) 9=0-3-8.
 (lb) - Max Horz 17=-193(LC 13)
 Max Uplift All uplift 100 lb or less at joint(s) 14 except 17=-182(LC 12), 9=-196(LC 13), 11=-245(LC 13)
 Max Grav All reactions 250 lb or less at joint(s) except 17=828(LC 2), 9=504(LC 24), 11=551(LC 1), 14=1061(LC 19)

FORCES.

(lb) - Max. Comp./Max. Ten. - All forces 250 (lb) or less except when shown.
 TOP CHORD 2-4=-908/575, 4-5=-224/500, 5-6=-193/438, 6-8=-168/348, 8-9=-435/462
 BOT CHORD 16-17=-303/936, 14-16=-24/294, 9-11=-256/337
 WEBS 2-16=-354/361, 4-16=-191/874, 2-17=-850/476, 4-14=-819/68, 8-11=-421/319

NOTES-

- Unbalanced roof live loads have been considered for this design.
- Wind: ASCE 7-10; Vult=150mph Vasd=119mph; TCCL=6.0psf; BCCL=6.0psf; h=15ft; Cat. II; Exp C; Enclosed; MWFRS (envelope) and C-C Exterior(2) 0-4-4 to 4-9-1, Interior(1) 4-9-1 to 15-8-8, Exterior(2) 15-8-8 to 20-1-5, Interior(1) 20-1-5 to 34-4-10 zone; C-C for members and forces & MWFRS for reactions shown; Lumber DOL=1.60 plate grip DOL=1.60
- This truss has been designed for a 10.0 psf bottom chord live load nonconcurrent with any other live loads.
- * This truss has been designed for a live load of 30.0psf on the bottom chord in all areas where a rectangle 2-6-0 tall by 2-0-0 wide will fit between the bottom chord and any other members, with BCCL = 10.0psf.
- Refer to girder(s) for truss to truss connections.
- Provide mechanical connection (by others) of truss to bearing plate capable of withstanding 100 lb uplift at joint(s) 14 except (jt=lb) 17=182, 9=196, 11=245.
- This truss is designed in accordance with the 2015 International Residential Code sections R502.11.1 and R802.10.2 and referenced standard ANSI/TPI 1.



January 31, 2022

WARNING - Verify design parameters and READ NOTES ON THIS AND INCLUDED MITTEK REFERENCE PAGE MII-7473 rev. 5/19/2020 BEFORE USE.

Design valid for use only with MiTek® connectors. This design is based only upon parameters shown, and is for an individual building component, not a truss system. Before use, the building designer must verify the applicability of design parameters and properly incorporate this design into the overall building design. Bracing indicated is to prevent buckling of individual truss web and/or chord members only. Additional temporary and permanent bracing is always required for stability and to prevent collapse with possible personal injury and property damage. For general guidance regarding the fabrication, storage, delivery, erection and bracing of trusses and truss systems, see ANSI/TPI1 Quality Criteria, DSB-89 and BCSI Building Component Safety Information available from Truss Plate Institute, 2670 Crain Highway, Suite 203 Waldorf, MD 20601

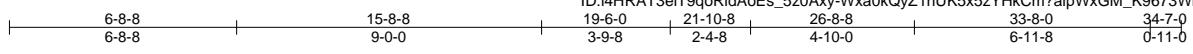


818 Soundside Road
Edenton, NC 27932

Job J0122-0372	Truss A4SG	Truss Type GABLE	Qty 1	Ply 1	Lot 7 Mitchell Manor II Job Reference (optional)	I49971062
-------------------	---------------	---------------------	----------	----------	---	-----------

Comtech, Inc. Fayetteville, NC - 28314. 8.430 s Aug 16 2021 MiTek Industries, Inc. Mon Jan 31 08:12:30 2022 Page 1

ID:4HRAT3eIT9qoRldAoEs_5z0Axy-Wxa0kQyZ1hUK5x5zYHkCm?alpWxGM_K9673WbSzpugl



5x12 ||

Scale: 3/16"=1'

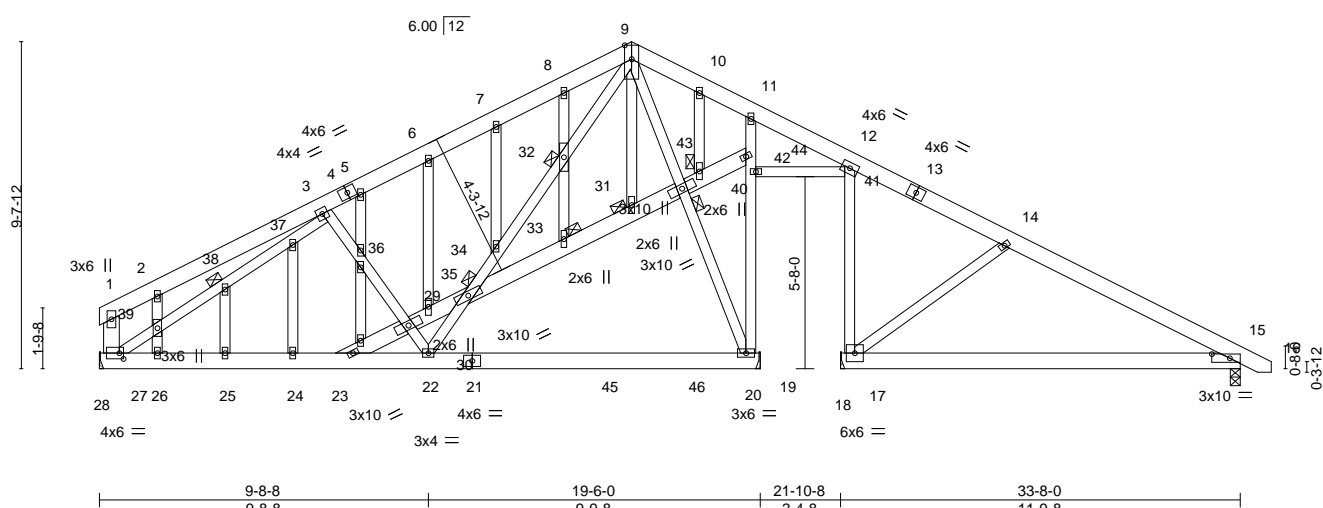


Plate Offsets (X,Y)--	[15:0-6-6,0-1-8], [27:0-1-8,0-2-0]
-----------------------	------------------------------------

LOADING (psf)	SPACING-	CSI.	DEFL.	PLATES	GRIP
TCLL 20.0	2-0-0	TC 0.21	in (loc) l/defl L/d	MT20	244/190
TCDL 10.0	Plate Grip DOL 1.15	BC 0.47	Vert(LL) -0.17 15-17 >813 360		
BCLL 0.0 *	Lumber DOL 1.15	WB 0.24	Vert(CT) -0.34 15-17 >397 240		
BCDL 10.0	Rep Stress Incr YES	Matrix-S	Horz(CT) 0.02 17 n/a n/a		
	Code IRC2015/TPI2014		Wind(LL) 0.03 15-17 >999 240	Weight: 322 lb	FT = 20%

LUMBER-	BRACING-
TOP CHORD 2x6 SP No.1	TOP CHORD Structural wood sheathing directly applied or 6-0-0 oc purlins, except end verticals.
BOT CHORD 2x6 SP No.1	BOT CHORD Rigid ceiling directly applied or 10-0-0 oc bracing.
WEBS 2x4 SP No.2 *Except*	WEBS 1 Row at midpt 9-20
1-27,23-29,29-30,30-43,43-44: 2x6 SP No.1	JOINTS 1 Brace at Jt(s): 30, 31, 32, 33, 38, 40
OTHERS 2x4 SP No.2	

REACTIONS. All bearings Mechanical except (jt=length) 15=0-3-8.
 (lb) - Max Horz 27=-307(LC 13)
 Max Uplift All uplift 100 lb or less at joint(s) except 27=-345(LC 12), 15=-348(LC 13), 17=-387(LC 13), 20=-181(LC 12)
 Max Grav All reactions 250 lb or less at joint(s) except 27=767(LC 1), 15=507(LC 1), 17=585(LC 1), 20=827(LC 19)

FORCES. (lb) - Max. Comp./Max. Ten. - All forces 250 (lb) or less except when shown.
 TOP CHORD 1-2=-386/256, 2-3=-376/362, 3-5=-810/737, 5-6=-771/742, 6-7=-791/836, 7-8=-777/895, 8-9=-805/959, 9-10=-292/607, 10-11=-307/588, 11-12=-240/505, 12-14=-172/412, 14-15=-442/581, 1-27=-295/181
 BOT CHORD 26-27=-425/712, 25-26=-425/712, 24-25=-425/712, 23-24=-425/712, 22-23=-242/463, 15-17=-360/343
 WEBS 22-29=-154/289, 22-30=-127/467, 30-34=-414/598, 32-34=-501/656, 9-32=-534/709, 27-39=-521/364, 38-39=-519/353, 37-38=-524/364, 3-37=-604/418, 23-29=-205/333, 29-35=-184/323, 30-35=-263/392, 20-42=-278/170, 42-44=-278/170, 9-43=-528/190, 20-43=-510/147, 14-17=-421/452

- NOTES-**
- Unbalanced roof live loads have been considered for this design.
 - Wind: ASCE 7-10; Vult=150mph Vasd=119mph; TC DL=6.0psf; BC DL=6.0psf; h=15ft; Cat. II; Exp C; Enclosed; MWFRS (envelope) gable end zone and C-C Exterior(2) zone; C-C for members and forces & MWFRS for reactions shown; Lumber DOL=1.60 plate grip DOL=1.60
 - Truss designed for wind loads in the plane of the truss only. For studs exposed to wind (normal to the face), see Standard Industry Gable End Details as applicable, or consult qualified building designer as per ANSI/TPI 1.
 - All plates are 2x4 MT20 unless otherwise indicated.
 - Gable studs spaced at 2-0-0 oc.
 - This truss has been designed for a 10.0 psf bottom chord live load nonconcurrent with any other live loads.
 - * This truss has been designed for a live load of 30.0psf on the bottom chord in all areas where a rectangle 3-6-0 tall by 2-0-0 wide will fit between the bottom chord and any other members, with BC DL = 10.0psf.
 - Refer to girder(s) for truss to truss connections.
 - Provide mechanical connection (by others) of truss to bearing plate capable of withstanding 345 lb uplift at joint 27, 348 lb uplift at joint 15, 387 lb uplift at joint 17 and 181 lb uplift at joint 20.
 - This truss is designed in accordance with the 2015 International Residential Code sections R502.11.1 and R802.10.2 and referenced standard ANSI/TPI 1.



January 31, 2022

WARNING - Verify design parameters and READ NOTES ON THIS AND INCLUDED MITEK REFERENCE PAGE MII-7473 rev. 5/19/2020 BEFORE USE.
 Design valid for use only with MiTek® connectors. This design is based only upon parameters shown, and is for an individual building component, not a truss system. Before use, the building designer must verify the applicability of design parameters and properly incorporate this design into the overall building design. Bracing indicated is to prevent buckling of individual truss web and/or chord members only. Additional temporary and permanent bracing is always required for stability and to prevent collapse with possible personal injury and property damage. For general guidance regarding the fabrication, storage, delivery, erection and bracing of trusses and truss systems, see ANSI/TPI1 Quality Criteria, DSB-89 and BCSI Building Component Safety Information available from Truss Plate Institute, 2670 Crain Highway, Suite 203 Waldorf, MD 20601

818 Soundside Road
Edenton, NC 27932

Job	Truss	Truss Type	Qty	Ply	Lot 7 Mitchell Manor II	I49971063
J0122-0372	B1	COMMON	5	1	Job Reference (optional)	

Comtech, Inc. Fayetteville, NC - 28314,

8.430 s Aug 16 2021 MiTek Industries, Inc. Mon Jan 31 08:12:31 2022 Page 1

0-11-0 7-11-8 12-11-8 17-11-8 25-11-0 26-10-0
 0-11-0 7-11-8 5-0-0 5-0-0 7-11-8 0-11-0

Scale = 1:49.3

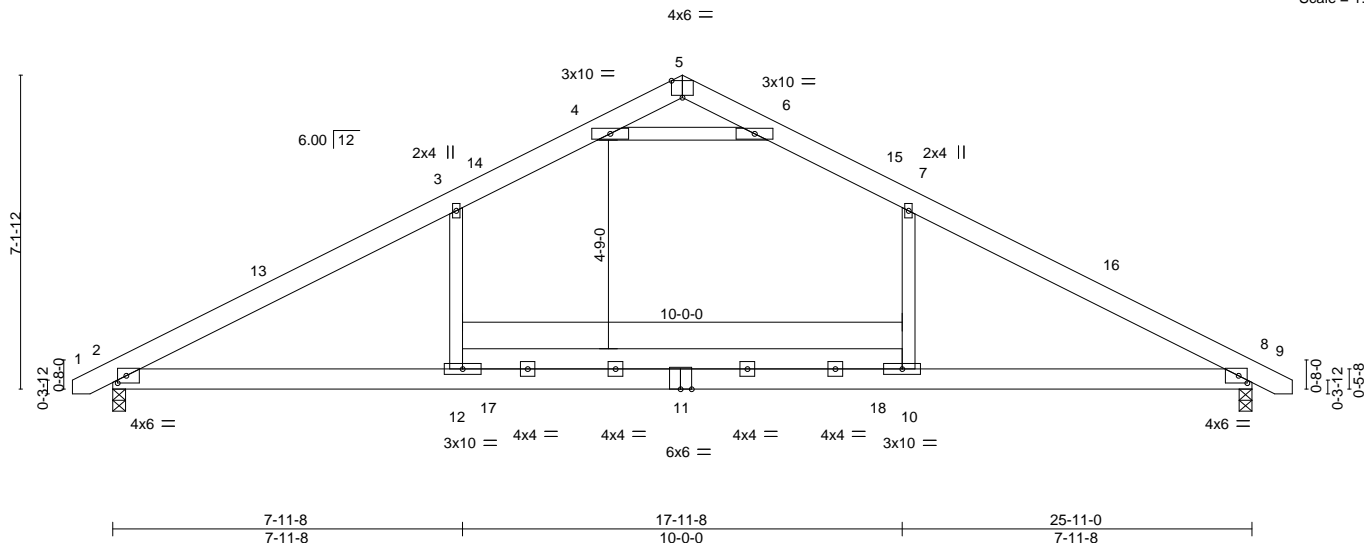


Plate Offsets (X,Y)-- [2:0-2-6,0-2-0], [5:0-3-0,Edge], [8:0-2-6,0-2-0]

LOADING (psf)	SPACING-	CSI.	DEFL.	PLATES	GRIP
TCLL 20.0	2-0-0	TC 0.85	in (loc) l/defl L/d	MT20	244/190
TCDL 10.0	Plate Grip DOL 1.15	BC 0.43	Vert(LL) -0.28 10-12 >999 360		
BCLL 0.0 *	Lumber DOL 1.15	WB 0.60	Vert(CT) -0.46 10-12 >663 240		
BCDL 10.0	Rep Stress Incr YES	Matrix-S	Horz(CT) 0.04 8 n/a n/a		
	Code IRC2015/TPI2014		Wind(LL) 0.23 2-12 >999 240	Weight: 174 lb	FT = 20%

LUMBER-
 TOP CHORD 2x6 SP No.1
 BOT CHORD 2x6 SP No.1
 WEBS 2x4 SP No.2

BRACING-
 TOP CHORD Structural wood sheathing directly applied or 4-4-14 oc purlins.
 BOT CHORD Rigid ceiling directly applied or 10-0-0 oc bracing.

REACTIONS. (size) 2=0-3-8, 8=0-3-8
 Max Horz 2=119(LC 11)
 Max Uplift 2=203(LC 12), 8=203(LC 13)
 Max Grav 2=1140(LC 2), 8=1140(LC 2)

FORCES. (lb) - Max. Comp./Max. Ten. - All forces 250 (lb) or less except when shown.
 TOP CHORD 2-3=-1772/588, 3-4=-1401/651, 4-5=-286/978, 5-6=-286/978, 6-7=-1401/651, 7-8=-1772/588
 BOT CHORD 2-12=-347/1438, 10-12=-350/1438, 8-10=-347/1438
 WEBS 3-12=0/497, 7-10=0/497, 4-6=-2532/1014

- NOTES-**
- Unbalanced roof live loads have been considered for this design.
 - Wind: ASCE 7-10; Vult=150mph Vasd=119mph; TC DL=6.0psf; BCDL=6.0psf; h=15ft; Cat. II; Exp C; Enclosed; MWFRS (envelope) and C-C Exterior(2) -0-8-10 to 3-8-3, Interior(1) 3-8-3 to 12-11-8, Exterior(2) 12-11-8 to 17-4-5, Interior(1) 17-4-5 to 26-7-10 zone; C-C for members and forces & MWFRS for reactions shown; Lumber DOL=1.60 plate grip DOL=1.60
 - This truss has been designed for a 10.0 psf bottom chord live load nonconcurrent with any other live loads.
 - * This truss has been designed for a live load of 30.0psf on the bottom chord in all areas where a rectangle 3-6-0 tall by 2-0-0 wide will fit between the bottom chord and any other members, with BCDL = 10.0psf.
 - Provide mechanical connection (by others) of truss to bearing plate capable of withstanding 203 lb uplift at joint 2 and 203 lb uplift at joint 8.
 - This truss is designed in accordance with the 2015 International Residential Code sections R502.11.1 and R802.10.2 and referenced standard ANSI/TPI 1.
 - See Standard Industry Piggyback Truss Connection Detail for Connection to base truss as applicable, or consult qualified building designer.



January 31, 2022

WARNING - Verify design parameters and READ NOTES ON THIS AND INCLUDED MITEK REFERENCE PAGE MII-7473 rev. 5/19/2020 BEFORE USE.
 Design valid for use only with MiTek® connectors. This design is based only upon parameters shown, and is for an individual building component, not a truss system. Before use, the building designer must verify the applicability of design parameters and properly incorporate this design into the overall building design. Bracing indicated is to prevent buckling of individual truss web and/or chord members only. Additional temporary and permanent bracing is always required for stability and to prevent collapse with possible personal injury and property damage. For general guidance regarding the fabrication, storage, delivery, erection and bracing of trusses and truss systems, see **ANSI/TPI1 Quality Criteria, DSB-89 and BCSI Building Component Safety Information** available from Truss Plate Institute, 2670 Crain Highway, Suite 203 Waldorf, MD 20601



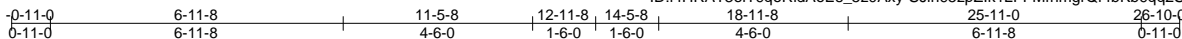
818 Soundside Road
 Edenton, NC 27932

Job J01122-0372	Truss B1A	Truss Type COMMON	Qty 1	Ply 1	Lot 7 Mitchell Manor II Job Reference (optional)	149971064
--------------------	--------------	----------------------	----------	----------	---	-----------

Comtech, Inc. Fayetteville, NC - 28314,

8.430 s Aug 16 2021 MiTek Industries, Inc. Mon Jan 31 08:12:32 2022 Page 1

ID:I4HRAT3elT9qoRldAoEs_5z0Axy-SJin95zpZlk1LFFMfhmgrQf4bKb9q2SZRYdfLzpuj



4x6 =

Scale = 1:51.5

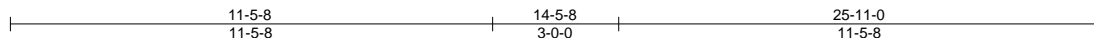
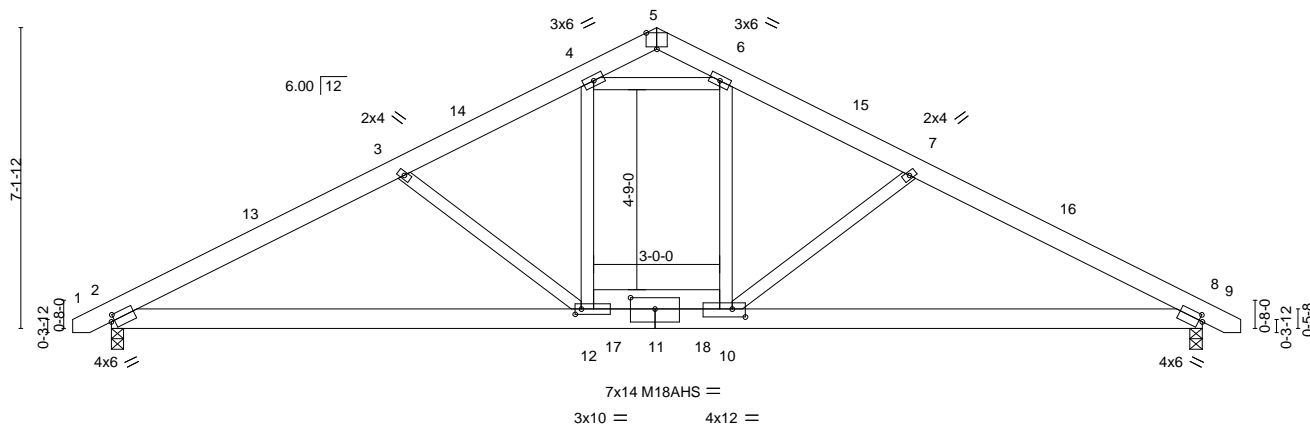


Plate Offsets (X,Y)-- [2:0-1-0,0-1-12], [5:0-3-0,Edge], [8:0-1-0,0-1-12], [10:0-3-12,0-2-4], [11:0-7-0,0-3-4], [12:0-1-12,0-1-8]

LOADING (psf)	SPACING-	CSI.	DEFL.	PLATES	GRIP
TCLL 20.0	2-0-0	TC 0.32	in (loc) l/defl L/d	MT20	244/190
TCDL 10.0	Plate Grip DOL 1.15	BC 0.64	Vert(LL) -0.11 2-12 >999 360	M18AHS	186/179
BCLL 0.0 *	Lumber DOL 1.15	WB 0.48	Vert(CT) -0.25 2-12 >999 240		
BCDL 10.0	Rep Stress Incr NO	Matrix-S	Horz(CT) 0.06 8 n/a n/a		
	Code IRC2015/TPI2014		Wind(LL) 0.13 2-12 >999 240		
				Weight: 177 lb	FT = 20%

LUMBER-
 TOP CHORD 2x6 SP No.1
 BOT CHORD 2x6 SP No.1
 WEBS 2x4 SP No.2

BRACING-
 TOP CHORD Structural wood sheathing directly applied or 4-0-0 oc purlins.
 BOT CHORD Rigid ceiling directly applied or 6-9-10 oc bracing.

REACTIONS. (size) 2=0-3-8, 8=0-3-8
 Max Horz 2=119(LC 11)
 Max Uplift 2=396(LC 12), 8=388(LC 13)
 Max Grav 2=1874(LC 1), 8=1840(LC 1)

FORCES. (lb) - Max. Comp./Max. Ten. - All forces 250 (lb) or less except when shown.
 TOP CHORD 2-3=-3348/1644, 3-4=-3043/1545, 4-5=-292/154, 5-6=-354/189, 6-7=-3015/1532, 7-8=-3289/1611
 BOT CHORD 2-12=-1309/2894, 10-12=-1071/2627, 8-10=-1284/2836
 WEBS 4-12=-594/1233, 6-10=-482/1041, 4-6=-2325/1271, 3-12=-377/306, 7-10=-304/265

- NOTES-**
- Unbalanced roof live loads have been considered for this design.
 - Wind: ASCE 7-10; Vult=150mph Vasd=119mph; TCCL=6.0psf; BCDL=6.0psf; h=15ft; Cat. II; Exp C; Enclosed; MWFRS (envelope) and C-C Exterior(2) -0-8-10 to 3-8-3, Interior(1) 3-8-3 to 12-11-8, Exterior(2) 12-11-8 to 17-4-5, Interior(1) 17-4-5 to 26-7-10 zone; C-C for members and forces & MWFRS for reactions shown; Lumber DOL=1.60 plate grip DOL=1.60
 - All plates are MT20 plates unless otherwise indicated.
 - This truss has been designed for a 10.0 psf bottom chord live load nonconcurrent with any other live loads.
 - * This truss has been designed for a live load of 30.0psf on the bottom chord in all areas where a rectangle 3-6-0 tall by 2-0-0 wide will fit between the bottom chord and any other members, with BCDL = 10.0psf.
 - Provide mechanical connection (by others) of truss to bearing plate capable of withstanding 396 lb uplift at joint 2 and 388 lb uplift at joint 8.
 - This truss is designed in accordance with the 2015 International Residential Code sections R502.11.1 and R802.10.2 and referenced standard ANSI/TPI 1.
 - See Standard Industry Piggyback Truss Connection Detail for Connection to base truss as applicable, or consult qualified building designer.
 - Hanger(s) or other connection device(s) shall be provided sufficient to support concentrated load(s) 985 lb down and 552 lb up at 11-10-12, and 575 lb down and 322 lb up at 14-0-4 on bottom chord. The design/selection of such connection device(s) is the responsibility of others.
 - In the LOAD CASE(S) section, loads applied to the face of the truss are noted as front (F) or back (B).

LOAD CASE(S) Standard
 1) Dead + Roof Live (balanced): Lumber Increase=1.15, Plate Increase=1.15
 Uniform Loads (plf)
 Vert: 1-5=-60, 5-9=-60, 2-8=-20



January 31, 2022

Continued on page 2

WARNING - Verify design parameters and READ NOTES ON THIS AND INCLUDED MITTEK REFERENCE PAGE MII-7473 rev. 5/19/2020 BEFORE USE.
 Design valid for use only with MiTek® connectors. This design is based only upon parameters shown, and is for an individual building component, not a truss system. Before use, the building designer must verify the applicability of design parameters and properly incorporate this design into the overall building design. Bracing indicated is to prevent buckling of individual truss web and/or chord members only. Additional temporary and permanent bracing is always required for stability and to prevent collapse with possible personal injury and property damage. For general guidance regarding the fabrication, storage, delivery, erection and bracing of trusses and truss systems, see **ANSI/TPI1 Quality Criteria, DSB-89 and BCSI Building Component Safety Information** available from Truss Plate Institute, 2670 Crain Highway, Suite 203 Waldorf, MD 20601



818 Soundside Road
 Edenton, NC 27932

Job J0122-0372	Truss B1A	Truss Type COMMON	Qty 1	Ply 1	Lot 7 Mitchell Manor II I49971064 Job Reference (optional)
-------------------	--------------	----------------------	----------	----------	--

Comtech, Inc, Fayetteville, NC - 28314,

8.430 s Aug 16 2021 MiTek Industries, Inc. Mon Jan 31 08:12:32 2022 Page 2
ID:I4HRAT3elT9qoRldAoEs_5z0Axy-SJin95zpZIk1LFFMfhmgrQf4bKb9qq2SZRYdfLzpugj

LOAD CASE(S) Standard
Concentrated Loads (lb)
Vert: 17=-985(B) 18=-575(B)

WARNING - Verify design parameters and READ NOTES ON THIS AND INCLUDED MITEK REFERENCE PAGE MII-7473 rev. 5/19/2020 BEFORE USE.

Design valid for use only with MiTek® connectors. This design is based only upon parameters shown, and is for an individual building component, not a truss system. Before use, the building designer must verify the applicability of design parameters and properly incorporate this design into the overall building design. Bracing indicated is to prevent buckling of individual truss web and/or chord members only. Additional temporary and permanent bracing is always required for stability and to prevent collapse with possible personal injury and property damage. For general guidance regarding the fabrication, storage, delivery, erection and bracing of trusses and truss systems, see **ANSI/TPI1 Quality Criteria, DSB-89 and BCSI Building Component Safety Information** available from Truss Plate Institute, 2670 Crain Highway, Suite 203 Waldorf, MD 20601



818 Soundside Road
Edenton, NC 27932

Job	Truss	Truss Type	Qty	Ply	Lot 7 Mitchell Manor II	149971065
J0122-0372	B1GE	COMMON SUPPORTED GAB	1	1	Job Reference (optional)	

Comtech, Inc. Fayetteville, NC - 28314.

8.430 s Aug 16 2021 MiTek Industries, Inc. Mon Jan 31 08:12:33 2022 Page 1
 ID:I4HRAT3elT9qoRldAoEs_5z0Axy-wWG9MR_RKcsuyPqYDPHvOeCJek4yZNLco5HBCnzpugi

-0-11-0 13-10-8 26-10-0 27-9-0
 0-11-0 12-11-8 12-11-8 0-11-0

Scale = 1:48.5

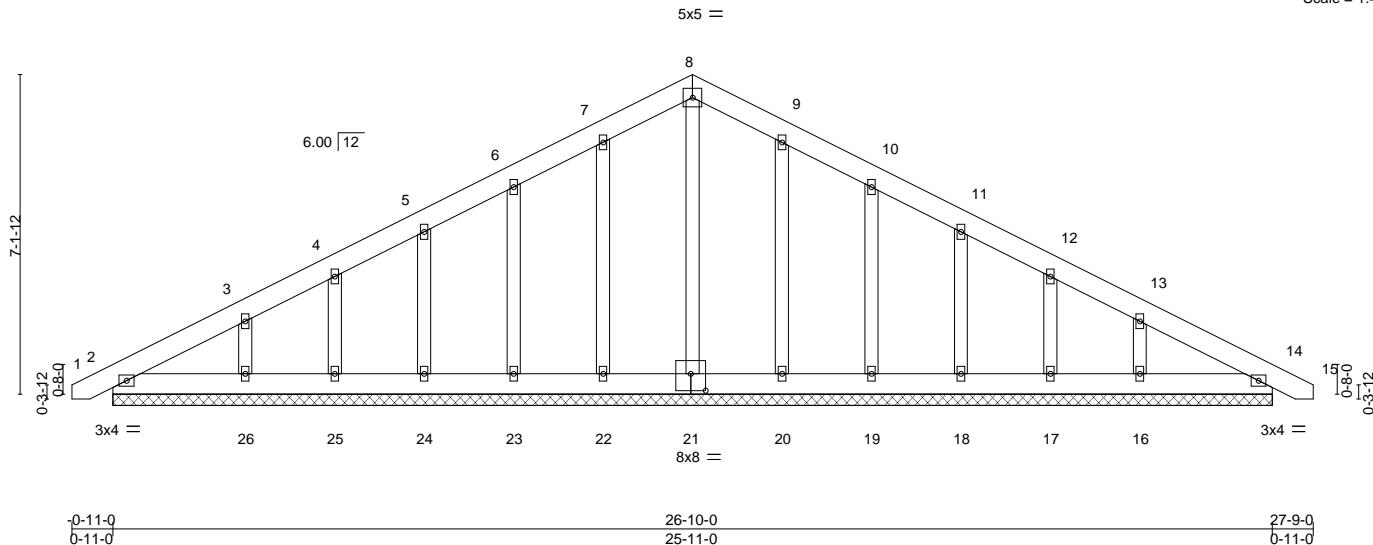


Plate Offsets (X,Y)-- [21:0-4-0,0-4-8]

LOADING (psf)	SPACING-	CSI.	DEFL.	PLATES	GRIP
TCLL 20.0	2-0-0	TC 0.04	in (loc) l/defl L/d	MT20	244/190
TCDL 10.0	Plate Grip DOL 1.15	BC 0.03	Vert(LL) 0.00 14 n/r 120		
BCLL 0.0 *	Lumber DOL 1.15	WB 0.10	Vert(CT) 0.00 14 n/r 120		
BCDL 10.0	Rep Stress Incr YES	Matrix-S	Horz(CT) 0.00 14 n/a n/a		
	Code IRC2015/TPI2014			Weight: 191 lb	FT = 20%

LUMBER-
 TOP CHORD 2x6 SP No.1
 BOT CHORD 2x6 SP No.1
 OTHERS 2x4 SP No.2

BRACING-
 TOP CHORD Structural wood sheathing directly applied or 6-0-0 oc purlins.
 BOT CHORD Rigid ceiling directly applied or 10-0-0 oc bracing.

REACTIONS. All bearings 25-11-0.
 (lb) - Max Horz 2=184(LC 16)
 Max Uplift All uplift 100 lb or less at joint(s) 2, 22, 25, 20, 17, 14 except 23=115(LC 12), 24=-110(LC 12),
 26=-171(LC 12), 19=-118(LC 13), 18=-109(LC 13), 16=-167(LC 13)
 Max Grav All reactions 250 lb or less at joint(s) 2, 21, 22, 23, 24, 25, 26, 20, 19, 18, 17, 16, 14

FORCES. (lb) - Max. Comp./Max. Ten. - All forces 250 (lb) or less except when shown.
 TOP CHORD 7-8=-120/304, 8-9=-120/303

- NOTES-**
- Unbalanced roof live loads have been considered for this design.
 - Wind: ASCE 7-10; Vult=150mph Vasd=119mph; TCDL=6.0psf; BCDL=6.0psf; h=15ft; Cat. II; Exp C; Enclosed; MWFRS (envelope) gable end zone and C-C Exterior(2) zone; C-C for members and forces & MWFRS for reactions shown; Lumber DOL=1.60 plate grip DOL=1.60
 - Truss designed for wind loads in the plane of the truss only. For studs exposed to wind (normal to the face), see Standard Industry Gable End Details as applicable, or consult qualified building designer as per ANSI/TPI 1.
 - All plates are 2x4 MT20 unless otherwise indicated.
 - Gable requires continuous bottom chord bearing.
 - Gable studs spaced at 2-0-0 oc.
 - This truss has been designed for a 10.0 psf bottom chord live load nonconcurrent with any other live loads.
 - * This truss has been designed for a live load of 30.0psf on the bottom chord in all areas where a rectangle 3-6-0 tall by 2-0-0 wide will fit between the bottom chord and any other members.
 - Provide mechanical connection (by others) of truss to bearing plate capable of withstanding 100 lb uplift at joint(s) 2, 22, 25, 20, 17, 14 except (jt=lb) 23=115, 24=110, 26=171, 19=118, 18=109, 16=167.
 - This truss is designed in accordance with the 2015 International Residential Code sections R502.11.1 and R802.10.2 and referenced standard ANSI/TPI 1.
 - See Standard Industry Piggyback Truss Connection Detail for Connection to base truss as applicable, or consult qualified building designer.



January 31, 2022

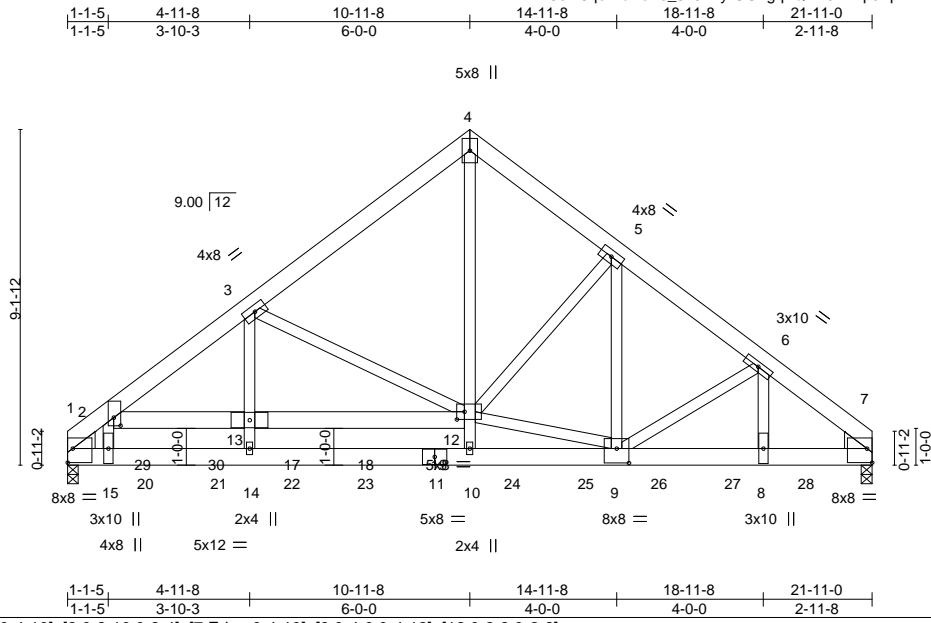
WARNING - Verify design parameters and READ NOTES ON THIS AND INCLUDED MITEK REFERENCE PAGE MII-7473 rev. 5/19/2020 BEFORE USE.
 Design valid for use only with MiTek® connectors. This design is based only upon parameters shown, and is for an individual building component, not a truss system. Before use, the building designer must verify the applicability of design parameters and properly incorporate this design into the overall building design. Bracing indicated is to prevent buckling of individual truss web and/or chord members only. Additional temporary and permanent bracing is always required for stability and to prevent collapse with possible personal injury and property damage. For general guidance regarding the fabrication, storage, delivery, erection and bracing of trusses and truss systems, see ANSI/TPI1 Quality Criteria, DSB-89 and BCSI Building Component Safety Information available from Truss Plate Institute, 2670 Crain Highway, Suite 203 Waldorf, MD 20601



818 Soundside Road
 Edenton, NC 27932

Job J0122-0372	Truss C1-GR	Truss Type Roof Special Girder	Qty 1	Ply 2	Lot 7 Mitchell Manor II	149971066
-------------------	----------------	-----------------------------------	----------	----------	-------------------------	-----------

Comtech, Inc., Fayetteville, NC 28309, Mitek
 8 430 s Dec 2 2021 MiTek Industries, Inc. Mon Jan 31 08:55:28 2022 Page 1
 ID:4HHRAT3eIT9qoRldAoEs_5z0Axy-OOLgqhOmV01WpsApKDzvmM9?kIKOm2dwDY41zpu2T



Scale = 1:59.1

Plate Offsets (X,Y)-- [1:Edge,0-4-10], [2:0-2-10,0-2-4], [7:Edge,0-4-10], [9:0-4-0,0-4-12], [12:0-2-8,0-2-8]

LOADING (psf)	SPACING-	CSI.	DEFL.	in (loc)	l/defl	L/d	PLATES	GRIP
TCLL 20.0	Plate Grip DOL 1.15	TC 0.86	Vert(LL) -0.15 12-13	>999	360		MT20	244/190
TCDL 10.0	Lumber DOL 1.15	BC 0.73	Vert(CT) -0.31 12-13	>843	240			
BCLL 0.0 *	Rep Stress Incr NO	WB 0.91	Horz(CT) 0.05 7	n/a	n/a			
BCDL 10.0	Code IRC2015/TPI2014	Matrix-S	Wind(LL) 0.15 12-13	>999	240		Weight: 402 lb	FT = 20%

LUMBER-
 TOP CHORD 2x6 SP No.1
 BOT CHORD 2x6 SP 2400F 2.0E
 WEBS 2x4 SP No.2
 WEDGE
 Left: 2x6 SP No.1 , Right: 2x6 SP No.1

BRACING-
 TOP CHORD Sheathed or 4-11-9 oc purlins.
 BOT CHORD Rigid ceiling directly applied or 10-0-0 oc bracing.

REACTIONS. (size) 1=0-3-8, 7=0-3-8
 Max Horz 1=275(LC 23)
 Max Uplift 1=1263(LC 8), 7=1390(LC 9)
 Max Grav 1=7583(LC 1), 7=7705(LC 2)

FORCES. (lb) - Max. Comp./Max. Ten. - All forces 250 (lb) or less except when shown.
 TOP CHORD 1-2=-10129/1691, 2-3=-9954/1689, 3-4=-6372/1197, 4-5=-6163/1169, 5-6=-8950/1599, 6-7=-10911/1947
 BOT CHORD 13-17=-199/1348, 17-18=-199/1348, 18-19=-199/1348, 12-19=-199/1348, 1-15=-1112/6124, 15-20=-1112/6124, 20-21=-1112/6124, 14-21=-1112/6124, 14-22=-1192/6650, 22-23=-1192/6650, 11-23=-1192/6650, 10-11=-1192/6650, 10-24=-1203/6789, 24-25=-1203/6789, 9-25=-1203/6789, 9-26=-1363/7919, 26-27=-1363/7919, 8-27=-1363/7919, 8-28=-1363/7919, 7-28=-1363/7919, 2-29=-263/1793, 29-30=-265/1789, 13-30=-266/1789
 WEBS 13-14=-158/1269, 3-13=-496/3482, 3-12=-3357/714, 5-9=-681/4032, 10-12=-123/1345, 4-12=-1276/7071, 9-12=-232/708, 5-12=-3363/728, 2-15=-386/1995, 6-9=-955/322, 6-8=-446/2474



- NOTES-**
- 2-ply truss to be connected together with 10d (0.131"x3") nails as follows:
 Top chords connected as follows: 2x6 - 2 rows staggered at 0-9-0 oc.
 Bottom chords connected as follows: 2x6 - 2 rows staggered at 0-5-0 oc.
 Webs connected as follows: 2x4 - 1 row at 0-9-0 oc.
 - All loads are considered equally applied to all plies, except if noted as front (F) or back (B) face in the LOAD CASE(S) section. Ply to ply connections have been provided to distribute only loads noted as (F) or (B), unless otherwise indicated.
 - Unbalanced roof live loads have been considered for this design.
 - Wind: ASCE 7-10; Vult=150mph Vasd=119mph; TC DL=6.0psf; BCDL=6.0psf; h=15ft; Cat. II; Exp C; Enclosed; MWFRS (envelope); Lumber DOL=1.60 plate grip DOL=1.60
 - This truss has been designed for a 10.0 psf bottom chord live load nonconcurrent with any other live loads.
 - * This truss has been designed for a live load of 30.0psf on the bottom chord in all areas where a rectangle 3-6-0 tall by 2-0-0 wide will fit between the bottom chord and any other members.
 - Provide mechanical connection (by others) of truss to bearing plate capable of withstanding 1263 lb uplift at joint 1 and 1390 lb uplift at joint 7.
 - This truss is designed in accordance with the 2015 International Residential Code sections R502.11.1 and R802.10.2 and referenced standard ANSI/TPI 1.

January 31,2022

Continued on page 2

WARNING - Verify design parameters and READ NOTES ON THIS AND INCLUDED MITEK REFERENCE PAGE MII-7473 rev. 5/19/2020 BEFORE USE.
 Design valid for use only with MiTek® connectors. This design is based only upon parameters shown, and is for an individual building component, not a truss system. Before use, the building designer must verify the applicability of design parameters and properly incorporate this design into the overall building design. Bracing indicated is to prevent buckling of individual truss web and/or chord members only. Additional temporary and permanent bracing is always required for stability and to prevent collapse with possible personal injury and property damage. For general guidance regarding the fabrication, storage, delivery, erection and bracing of trusses and truss systems, see **ANSI/TPI1 Quality Criteria, DSB-89 and BCSI Building Component Safety Information** available from Truss Plate Institute, 2670 Crain Highway, Suite 203 Waldorf, MD 20601



Job J0122-0372	Truss C1-GR	Truss Type Roof Special Girder	Qty 1	Ply 2	Lot 7 Mitchell Manor II Job Reference (optional)	I49971066
-------------------	----------------	-----------------------------------	----------	-----------------	---	-----------

Comtech, Inc., Fayetteville, NC 28309, Mitek

8.430 s Dec 2 2021 MiTek Industries, Inc. Mon Jan 31 08:55:28 2022 Page 2
ID:I4HRAT3eIT9qoRldAoEs_5z0Axy-OOLgqhQmv01IWpsApKDzvvM9?kIKOm2dwDYx41zpu2T

NOTES-

9) Hanger(s) or other connection device(s) shall be provided sufficient to support concentrated load(s) 1313 lb down and 242 lb up at 2-0-12, 1318 lb down and 252 lb up at 4-0-12, 1318 lb down and 252 lb up at 6-0-12, 1318 lb down and 252 lb up at 8-0-12, 1318 lb down and 252 lb up at 10-0-12, 1505 lb down and 242 lb up at 12-0-12, 1505 lb down and 242 lb up at 14-0-12, 1505 lb down and 242 lb up at 16-0-12, and 2002 lb down and 393 lb up at 18-0-12, and 808 lb down and 202 lb up at 20-0-12 on bottom chord. The design/selection of such connection device(s) is the responsibility of others.

LOAD CASE(S) Standard

1) Dead + Roof Live (balanced): Lumber Increase=1.15, Plate Increase=1.15

Uniform Loads (plf)

Vert: 1-4=-60, 4-7=-60, 12-30=-20, 1-7=-20, 2-30=-20

Concentrated Loads (lb)

Vert: 17=-1318(B) 18=-1318(B) 19=-1318(B) 20=-1313(B) 21=-1318(B) 24=-1313(B) 25=-1313(B) 26=-1313(B) 27=-1934(B) 28=-739(B)

WARNING - Verify design parameters and READ NOTES ON THIS AND INCLUDED MITEK REFERENCE PAGE MII-7473 rev. 5/19/2020 BEFORE USE.

Design valid for use only with MiTek® connectors. This design is based only upon parameters shown, and is for an individual building component, not a truss system. Before use, the building designer must verify the applicability of design parameters and properly incorporate this design into the overall building design. Bracing indicated is to prevent buckling of individual truss web and/or chord members only. Additional temporary and permanent bracing is always required for stability and to prevent collapse with possible personal injury and property damage. For general guidance regarding the fabrication, storage, delivery, erection and bracing of trusses and truss systems, see

Safety Information available from Truss Plate Institute, 2670 Crain Highway, Suite 203 Waldorf, MD 20601 **ANSI/TPI1 Quality Criteria, DSB-89 and BCSI Building Component**

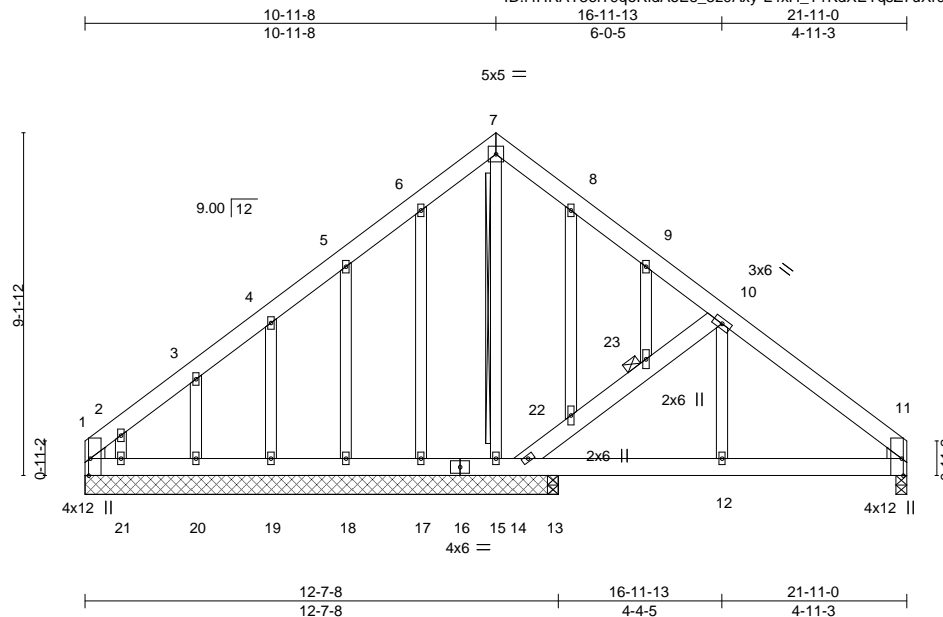


818 Soundside Road
Edenton, NC 27932

Job J0122-0372	Truss C1SG	Truss Type GABLE	Qty 1	Ply 1	Lot 7 Mitchell Manor II Job Reference (optional)	149971067
-------------------	---------------	---------------------	----------	----------	---	-----------

Comtech, Inc., Fayetteville, NC - 28314,

8.430 s Aug 16 2021 MiTek Industries, Inc. Mon Jan 31 08:12:36 2022 Page 1
ID:I4HRAT3eIT9qoRldAoEs_5z0Axy-L4xH_T1KdXETqsZ7uXrc?GqoPx4Cmkg2U3Wro6zplug



Scale = 1:57.8

Plate Offsets (X,Y)-- [1:0-5-8,Edge], [11:0-5-8,Edge]

LOADING (psf)	SPACING-	CSI.	DEFL.	in (loc)	l/defl	L/d	PLATES	GRIP
TCLL 20.0	2-0-0	TC 0.14	Vert(LL)	-0.00	11-12	>999	MT20	244/180
TCDL 10.0	Plate Grip DOL 1.15	BC 0.12	Vert(CT)	-0.01	11-12	>999		
BCLL 0.0 *	Lumber DOL 1.15	WB 0.12	Horz(CT)	0.00	11	n/a		
BCDL 10.0	Rep Stress Incr YES	Matrix-S	Wind(LL)	0.01	11-12	>999		
	Code IRC2015/TPI2014						Weight: 191 lb	FT = 20%

LUMBER-

TOP CHORD 2x6 SP No.1
 BOT CHORD 2x6 SP No.1
 WEBS 2x6 SP No.1 *Except*
 10-12: 2x4 SP No.2
 OTHERS 2x4 SP No.2
 WEDGE
 Left: 2x4 SP No.2 , Right: 2x4 SP No.2

BRACING-

TOP CHORD Structural wood sheathing directly applied or 6-0-0 oc purlins.
 BOT CHORD Rigid ceiling directly applied or 6-0-0 oc bracing, Except:
 10-0-0 oc bracing: 13-14,12-13,11-12.
 WEBS T-Brace: 2x4 SPF No.2 - 7-15
 Fasten (2X) T and I braces to narrow edge of web with 10d
 (0.131"x3") nails, 6in o.c.,with 3in minimum end distance.
 Brace must cover 90% of web length.
 JOINTS 1 Brace at Jt(s): 23

REACTIONS.

All bearings 12-7-8 except (jt=length) 11=0-3-8, 13=0-3-8.
 (lb) - Max Horz 1=344(LC 8)
 Max Uplift All uplift 100 lb or less at joint(s) except 1=222(LC 10), 11=139(LC 13),
 14=335(LC 13), 17=108(LC 12), 18=159(LC 12), 19=144(LC 12), 20=157(LC
 12), 21=257(LC 12)
 Max Grav All reactions 250 lb or less at joint(s) 17, 18, 19, 20, 21, 13 except
 1=369(LC 12), 11=390(LC 1), 14=281(LC 20), 15=257(LC 1)

FORCES.

(lb) - Max. Comp./Max. Ten. - All forces 250 (lb) or less except when shown.
 TOP CHORD 1-2=492/348, 2-3=311/231, 10-11=423/170
 BOT CHORD 1-21=247/331, 20-21=247/331, 19-20=247/331, 18-19=247/331, 17-18=247/331,
 15-17=247/331, 14-15=247/331, 13-14=12/279, 12-13=12/279, 11-12=12/279
 WEBS 14-22=618/439, 22-23=539/373, 10-23=542/374, 2-21=236/254

NOTES-

- Unbalanced roof live loads have been considered for this design.
- Wind: ASCE 7-10; Vult=150mph Vasd=119mph; TCDL=6.0psf; BCDL=6.0psf; h=15ft; Cat. II; Exp C; Enclosed; MWFRS (envelope) gable end zone and C-C Exterior(2) zone;C-C for members and forces & MWFRS for reactions shown; Lumber DOL=1.60 plate grip DOL=1.60
- Truss designed for wind loads in the plane of the truss only. For studs exposed to wind (normal to the face), see Standard Industry Gable End Details as applicable, or consult qualified building designer as per ANSI/TPI 1.
- All plates are 2x4 MT20 unless otherwise indicated.
- Gable studs spaced at 2-0-0 oc.
- This truss has been designed for a 10.0 psf bottom chord live load nonconcurrent with any other live loads.
- * This truss has been designed for a live load of 30.0psf on the bottom chord in all areas where a rectangle 3-6-0 tall by 2-0-0 wide will fit between the bottom chord and any other members.
- Provide mechanical connection (by others) of truss to bearing plate capable of withstanding 222 lb uplift at joint 1, 139 lb uplift at joint 11, 335 lb uplift at joint 14, 108 lb uplift at joint 17, 159 lb uplift at joint 18, 144 lb uplift at joint 19, 157 lb uplift at joint 20 and 257 lb uplift at joint 21.
- This truss is designed in accordance with the 2015 International Residential Code sections R502.11.1 and R802.10.2 and referenced standard ANSI/TPI 1.
- Warning: Additional permanent and stability bracing for truss system (not part of this component design) is always required.



January 31, 2022

WARNING - Verify design parameters and READ NOTES ON THIS AND INCLUDED MITEK REFERENCE PAGE MII-7473 rev. 5/19/2020 BEFORE USE.
 Design valid for use only with MiTek® connectors. This design is based only upon parameters shown, and is for an individual building component, not a truss system. Before use, the building designer must verify the applicability of design parameters and properly incorporate this design into the overall building design. Bracing indicated is to prevent buckling of individual truss web and/or chord members only. Additional temporary and permanent bracing is always required for stability and to prevent collapse with possible personal injury and property damage. For general guidance regarding the fabrication, storage, delivery, erection and bracing of trusses and truss systems, see ANSI/TPI1 Quality Criteria, DSB-89 and BCSI Building Component Safety Information available from Truss Plate Institute, 2670 Crain Highway, Suite 203 Waldorf, MD 20601



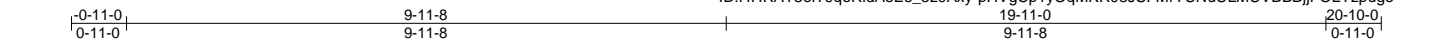
818 Soundside Road
 Edenton, NC 27932

Job	Truss	Truss Type	Qty	Ply	Lot 7 Mitchell Manor II	149971068
J0122-0372	D1	COMMON	5	1	Job Reference (optional)	

Comtech, Inc. Fayetteville, NC - 28314,

8.430 s Aug 16 2021 MiTek Industries, Inc. Mon Jan 31 08:12:37 2022 Page 1

ID:I4HRAT3eIT9qoRIdAoEs_5z0Axy-pHVgCp1yOqMKR08JSFMrYUNuULMUVBBBijFOLYzpuge



Scale = 1:36.0

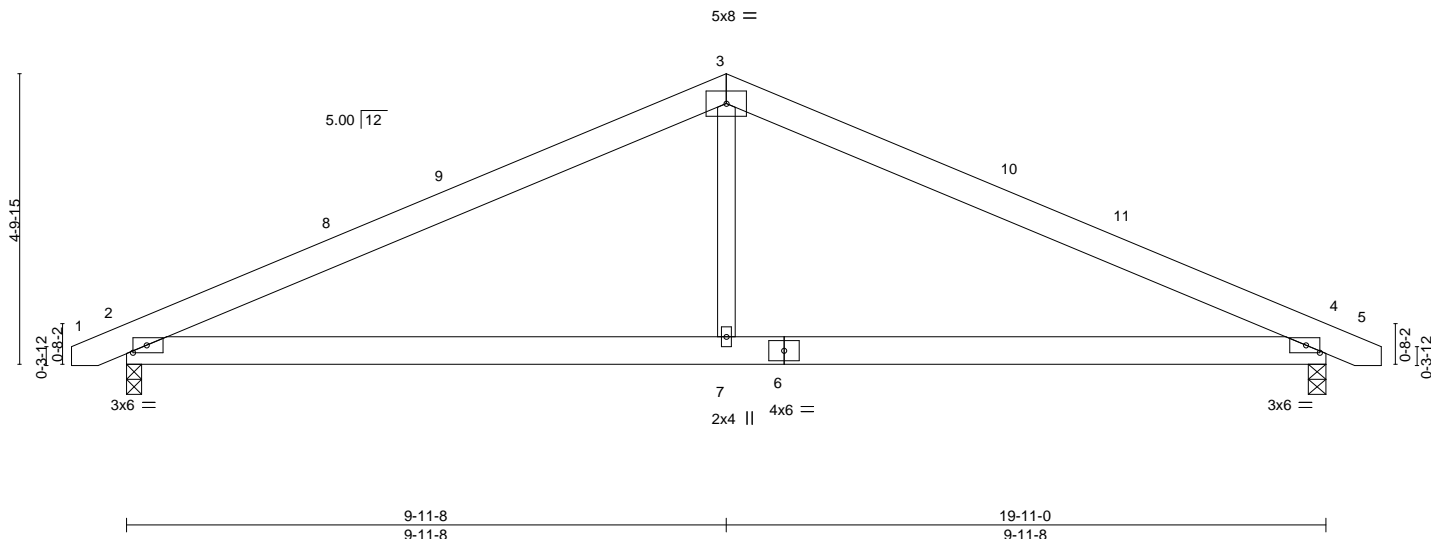


Plate Offsets (X,Y)-- [2:0-2-12,0-1-8], [4:0-2-12,0-1-8]

LOADING (psf)	SPACING-	CSI.	DEFL.	PLATES	GRIP
TCLL 20.0	2-0-0	TC 0.50	in (loc) l/defl L/d	MT20	244/190
TCDL 10.0	Plate Grip DOL 1.15	BC 0.37	Vert(LL) -0.05 2-7 >999 360		
BCLL 0.0 *	Lumber DOL 1.15	WB 0.11	Vert(CT) -0.13 2-7 >999 240		
BCDL 10.0	Rep Stress Incr YES	Matrix-S	Horz(CT) 0.02 4 n/a n/a		
	Code IRC2015/TPI2014		Wind(LL) 0.05 2-7 >999 240	Weight: 108 lb	FT = 20%

LUMBER-
 TOP CHORD 2x6 SP No.1
 BOT CHORD 2x6 SP No.1
 WEBS 2x4 SP No.2

BRACING-
 TOP CHORD Structural wood sheathing directly applied or 5-10-8 oc purlins.
 BOT CHORD Rigid ceiling directly applied or 10-0-0 oc bracing.

REACTIONS. (size) 4=0-3-8, 2=0-3-0
 Max Horz 2=-71(LC 17)
 Max Uplift 4=-163(LC 13), 2=-162(LC 12)
 Max Grav 4=836(LC 1), 2=835(LC 1)

FORCES. (lb) - Max. Comp./Max. Ten. - All forces 250 (lb) or less except when shown.
 TOP CHORD 2-3=-1239/498, 3-4=-1240/498
 BOT CHORD 2-7=-293/1030, 4-7=-293/1030
 WEBS 3-7=0/477

- NOTES-**
- Unbalanced roof live loads have been considered for this design.
 - Wind: ASCE 7-10; Vult=150mph Vasd=119mph; TCDL=6.0psf; BCDL=6.0psf; h=15ft; Cat. II; Exp C; Enclosed; MWFRS (envelope) and C-C Exterior(2) -0-8-6 to 3-8-7, Interior(1) 3-8-7 to 9-11-8, Exterior(2) 9-11-8 to 14-4-5, Interior(1) 14-4-5 to 20-7-6 zone; C-C for members and forces & MWFRS for reactions shown; Lumber DOL=1.60 plate grip DOL=1.60
 - This truss has been designed for a 10.0 psf bottom chord live load nonconcurrent with any other live loads.
 - * This truss has been designed for a live load of 30.0psf on the bottom chord in all areas where a rectangle 3-6-0 tall by 2-0-0 wide will fit between the bottom chord and any other members.
 - Provide mechanical connection (by others) of truss to bearing plate capable of withstanding 163 lb uplift at joint 4 and 162 lb uplift at joint 2.
 - This truss is designed in accordance with the 2015 International Residential Code sections R502.11.1 and R802.10.2 and referenced standard ANSI/TPI 1.



January 31,2022

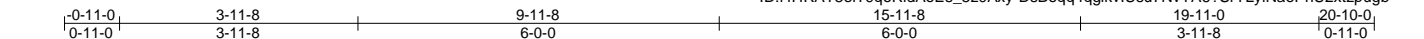
WARNING - Verify design parameters and READ NOTES ON THIS AND INCLUDED MITEK REFERENCE PAGE MII-7473 rev. 5/19/2020 BEFORE USE.
 Design valid for use only with MiTek® connectors. This design is based only upon parameters shown, and is for an individual building component, not a truss system. Before use, the building designer must verify the applicability of design parameters and properly incorporate this design into the overall building design. Bracing indicated is to prevent buckling of individual truss web and/or chord members only. Additional temporary and permanent bracing is always required for stability and to prevent collapse with possible personal injury and property damage. For general guidance regarding the fabrication, storage, delivery, erection and bracing of trusses and truss systems, see **ANSI/TPI1 Quality Criteria, DSB-89 and BCSI Building Component Safety Information** available from Truss Plate Institute, 2670 Crain Highway, Suite 203 Waldorf, MD 20601



Job J01122-0372	Truss D1-GR	Truss Type Common Girder	Qty 1	Ply 2	Lot 7 Mitchell Manor II Job Reference (optional)	149971069
--------------------	----------------	-----------------------------	----------	----------	---	-----------

Comtech, Inc. Fayetteville, NC - 28314,

8.430 s Aug 16 2021 MiTek Industries, Inc. Mon Jan 31 08:12:40 2022 Page 1
ID:I4HRAT3eIT9goRldAoEs_5z0Axy-DsBooq4qgklvU7NvYA6?SrYLyiNaePhUJ2xtzpgb



Scale = 1:36.0

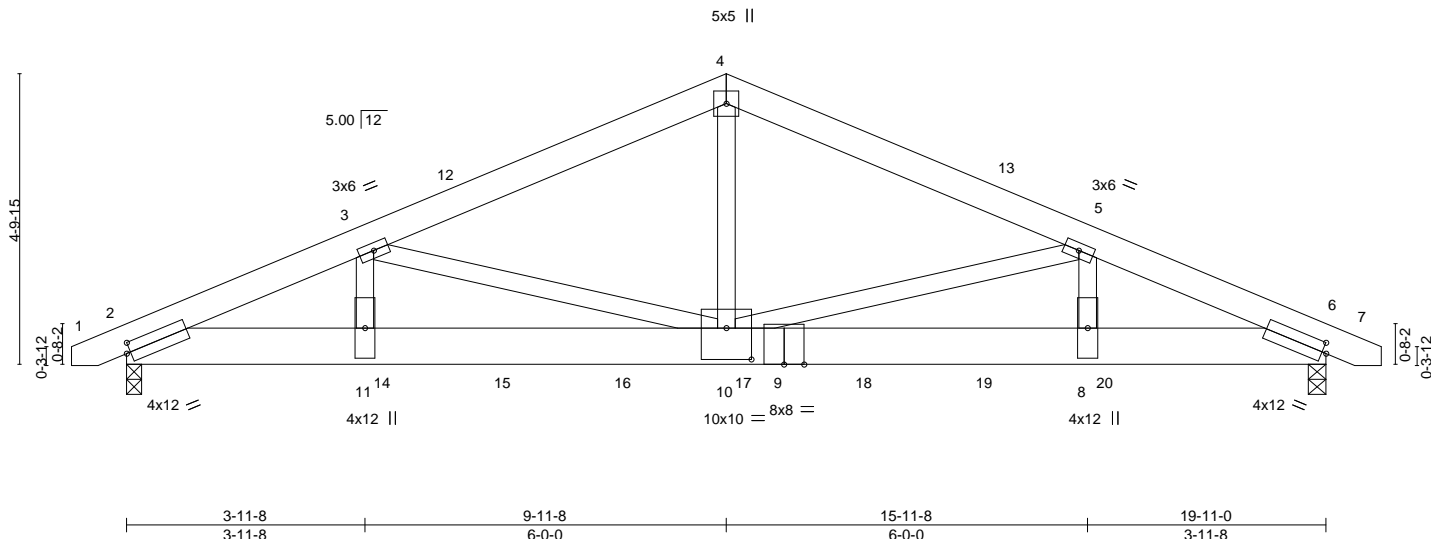


Plate Offsets (X,Y)-- [2:0-0-13,0-2-0], [6:0-0-13,0-2-0], [10:0-5-0,0-6-4]

LOADING (psf)	SPACING-	2-0-0	CSI.	DEFL.	in (loc)	l/defl	L/d	PLATES	GRIP
TCLL 20.0	Plate Grip DOL	1.15	TC 0.30	Vert(LL)	-0.11 10-11	>999	360	MT20	244/190
TCDL 10.0	Lumber DOL	1.15	BC 0.52	Vert(CT)	-0.21 10-11	>999	240		
BCLL 0.0 *	Rep Stress Incr	NO	WB 0.71	Horz(CT)	0.05 6	n/a	n/a		
BCDL 10.0	Code IRC2015/TPI2014		Matrix-S	Wind(LL)	0.17 10-11	>999	240	Weight: 287 lb	FT = 20%

LUMBER-
TOP CHORD 2x6 SP No.1
BOT CHORD 2x8 SP 2400F 2.0E
WEBS 2x4 SP No.2

BRACING-
TOP CHORD Structural wood sheathing directly applied or 4-11-11 oc purlins.
BOT CHORD Rigid ceiling directly applied or 10-0-0 oc bracing.

REACTIONS. (size) 2=0-3-0, 6=0-3-8
Max Horz 2=71(LC 16)
Max Uplift 2=1117(LC 12), 6=1143(LC 13)
Max Grav 2=4774(LC 1), 6=4878(LC 1)

FORCES. (lb) - Max. Comp./Max. Ten. - All forces 250 (lb) or less except when shown.
TOP CHORD 2-3=-10630/5726, 3-4=-8175/4476, 4-5=-8176/4476, 5-6=-10617/5719
BOT CHORD 2-11=-5109/9566, 10-11=-5109/9566, 8-10=-5111/9550, 6-8=-5111/9550
WEBS 4-10=-3078/5748, 5-10=-2162/1217, 5-8=-890/1816, 3-10=-2178/1226, 3-11=-890/1816

NOTES-

- 2-ply truss to be connected together with 10d (0.131"x3") nails as follows:
Top chords connected as follows: 2x6 - 2 rows staggered at 0-9-0 oc.
Bottom chords connected as follows: 2x8 - 2 rows staggered at 0-9-0 oc.
Webs connected as follows: 2x4 - 1 row at 0-9-0 oc.
- All loads are considered equally applied to all plies, except if noted as front (F) or back (B) face in the LOAD CASE(S) section. Ply to ply connections have been provided to distribute only loads noted as (F) or (B), unless otherwise indicated.
- Unbalanced roof live loads have been considered for this design.
- Wind: ASCE 7-10; Vult=150mph Vasd=119mph; TCCL=6.0psf; BCDL=6.0psf; h=15ft; Cat. II; Exp C; Enclosed; MWFRS (envelope) and C-C Exterior(2) -0-8-6 to 3-11-8, Interior(1) 3-11-8 to 9-11-8, Exterior(2) 9-11-8 to 14-4-5, Interior(1) 14-4-5 to 20-7-6 zone; C-C for members and forces & MWFRS for reactions shown; Lumber DOL=1.60 plate grip DOL=1.60
- This truss has been designed for a 10.0 psf bottom chord live load nonconcurrent with any other live loads.
- * This truss has been designed for a live load of 30.0psf on the bottom chord in all areas where a rectangle 3-6-0 tall by 2-0-0 wide will fit between the bottom chord and any other members.
- Provide mechanical connection (by others) of truss to bearing plate capable of withstanding 100 lb uplift at joint(s) except (jt=lb) 2=1117, 6=1143.
- This truss is designed in accordance with the 2015 International Residential Code sections R502.11.1 and R802.10.2 and referenced standard ANSI/TPI 1.
- Hanger(s) or other connection device(s) shall be provided sufficient to support concentrated load(s) 1185 lb down and 664 lb up at 4-3-4, 1185 lb down and 664 lb up at 6-3-4, 1185 lb down and 664 lb up at 8-3-4, 1185 lb down and 664 lb up at 10-3-4, 1185 lb down and 664 lb up at 12-3-4, and 1028 lb down and 576 lb up at 14-3-4, and 1028 lb down and 576 lb up at 16-3-4 on bottom chord. The design/selection of such connection device(s) is the responsibility of others.

LOAD CASE(S) Standard



January 31, 2022

Continued on page 2

WARNING - Verify design parameters and READ NOTES ON THIS AND INCLUDED MITTEK REFERENCE PAGE MII-7473 rev. 5/19/2020 BEFORE USE.
Design valid for use only with MiTek® connectors. This design is based only upon parameters shown, and is for an individual building component, not a truss system. Before use, the building designer must verify the applicability of design parameters and properly incorporate this design into the overall building design. Bracing indicated is to prevent buckling of individual truss web and/or chord members only. Additional temporary and permanent bracing is always required for stability and to prevent collapse with possible personal injury and property damage. For general guidance regarding the fabrication, storage, delivery, erection and bracing of trusses and truss systems, see **ANSI/TPI1 Quality Criteria, DSB-89 and BCSI Building Component Safety Information** available from Truss Plate Institute, 2670 Crain Highway, Suite 203 Waldorf, MD 20601



818 Soundside Road
Edenton, NC 27932

Job J0122-0372	Truss D1-GR	Truss Type Common Girder	Qty 1	Ply 2	Lot 7 Mitchell Manor II I49971069 Job Reference (optional)
-------------------	----------------	-----------------------------	----------	-----------------	--

Comtech, Inc, Fayetteville, NC - 28314,

8.430 s Aug 16 2021 MiTek Industries, Inc. Mon Jan 31 08:12:40 2022 Page 2
ID:I4HRAT3eIT9qoRIdAoEs_5z0Axy-DsBoqq4qglkvU7NvYA6?SrLYiNaePhU2xtzpugb

LOAD CASE(S) Standard

1) Dead + Roof Live (balanced): Lumber Increase=1.15, Plate Increase=1.15

Uniform Loads (plf)

Vert: 1-4=-60, 4-7=-60, 2-6=-20

Concentrated Loads (lb)

Vert: 14=-1185(F) 15=-1185(F) 16=-1185(F) 17=-1185(F) 18=-1185(F) 19=-1028(F) 20=-1028(F)

WARNING - Verify design parameters and READ NOTES ON THIS AND INCLUDED MITEK REFERENCE PAGE MII-7473 rev. 5/19/2020 BEFORE USE.

Design valid for use only with MiTek® connectors. This design is based only upon parameters shown, and is for an individual building component, not a truss system. Before use, the building designer must verify the applicability of design parameters and properly incorporate this design into the overall building design. Bracing indicated is to prevent buckling of individual truss web and/or chord members only. Additional temporary and permanent bracing is always required for stability and to prevent collapse with possible personal injury and property damage. For general guidance regarding the fabrication, storage, delivery, erection and bracing of trusses and truss systems, see

Safety Information available from Truss Plate Institute, 2670 Crain Highway, Suite 203 Waldorf, MD 20601 **ANSI/TPI1 Quality Criteria, DSB-89 and BCSI Building Component**



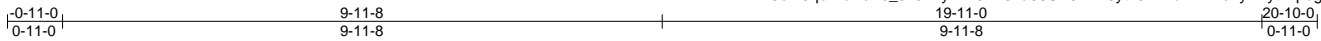
818 Soundside Road
Edenton, NC 27932

Job J0122-0372	Truss D1GE	Truss Type GABLE	Qty 1	Ply 1	Lot 7 Mitchell Manor II Job Reference (optional)	I49971070
-------------------	---------------	---------------------	----------	----------	---	-----------

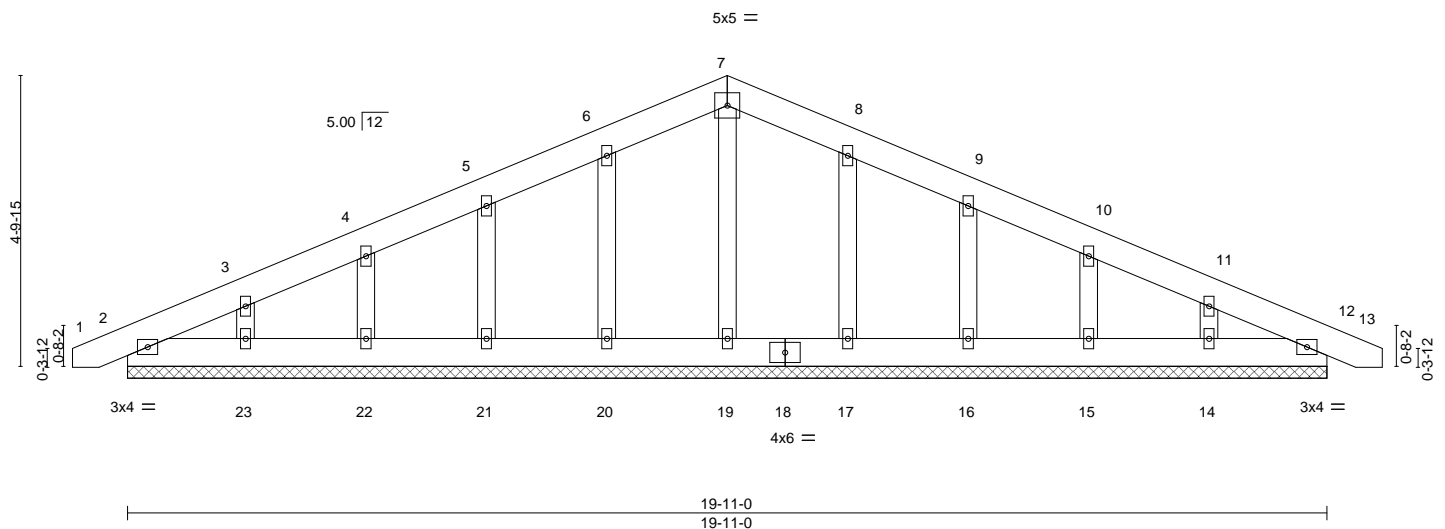
Comtech, Inc. Fayetteville, NC - 28314,

8.430 s Aug 16 2021 MiTek Industries, Inc. Mon Jan 31 08:12:38 2022 Page 1

ID:I4HRAT3eIT9qoRIdAoEs_5z0Axy-HT32P92a88UB3AiW0yt45hvAdInMEfeLyN?yt?zpugd



Scale = 1:36.0



LOADING (psf)	SPACING- 2-0-0	CSI.	DEFL. in (loc) l/defl L/d	PLATES	GRIP
TCLL 20.0	Plate Grip DOL 1.15	TC 0.03	Vert(LL) 0.00 12 n/r 120	MT20	244/190
TCDL 10.0	Lumber DOL 1.15	BC 0.01	Vert(CT) 0.00 12 n/r 120		
BCLL 0.0 *	Rep Stress Incr YES	WB 0.03	Horz(CT) 0.00 12 n/a n/a		
BCDL 10.0	Code IRC2015/TPI2014	Matrix-S			Weight: 130 lb FT = 20%

LUMBER-

TOP CHORD 2x6 SP No.1
 BOT CHORD 2x6 SP No.1
 OTHERS 2x4 SP No.2

BRACING-

TOP CHORD Structural wood sheathing directly applied or 6-0-0 oc purlins.
 BOT CHORD Rigid ceiling directly applied or 10-0-0 oc bracing.

REACTIONS.

All bearings 19-11-0.
 (lb) - Max Horz 2=-120(LC 13)
 Max Uplift All uplift 100 lb or less at joint(s) 12, 2, 20, 22, 17, 15 except 21=-102(LC 12), 23=-116(LC 12), 16=-103(LC 13), 14=-112(LC 13)
 Max Grav All reactions 250 lb or less at joint(s) 12, 2, 19, 20, 21, 22, 23, 17, 16, 15, 14

FORCES.

(lb) - Max. Comp./Max. Ten. - All forces 250 (lb) or less except when shown.

NOTES-

- Unbalanced roof live loads have been considered for this design.
- Wind: ASCE 7-10; Vult=150mph Vasd=119mph; TCDL=6.0psf; BCDL=6.0psf; h=15ft; Cat. II; Exp C; Enclosed; MWFRS (envelope) gable end zone and C-C Exterior(2) zone; C-C for members and forces & MWFRS for reactions shown; Lumber DOL=1.60 plate grip DOL=1.60
- Truss designed for wind loads in the plane of the truss only. For studs exposed to wind (normal to the face), see Standard Industry Gable End Details as applicable, or consult qualified building designer as per ANSI/TPI 1.
- All plates are 2x4 MT20 unless otherwise indicated.
- Gable requires continuous bottom chord bearing.
- Gable studs spaced at 2-0-0 oc.
- This truss has been designed for a 10.0 psf bottom chord live load nonconcurrent with any other live loads.
- * This truss has been designed for a live load of 30.0psf on the bottom chord in all areas where a rectangle 3-6-0 tall by 2-0-0 wide will fit between the bottom chord and any other members.
- Provide mechanical connection (by others) of truss to bearing plate capable of withstanding 100 lb uplift at joint(s) 12, 2, 20, 22, 17, 15 except (jt=lb) 21=102, 23=116, 16=103, 14=112.
- This truss is designed in accordance with the 2015 International Residential Code sections R502.11.1 and R802.10.2 and referenced standard ANSI/TPI 1.



January 31, 2022

WARNING - Verify design parameters and READ NOTES ON THIS AND INCLUDED MITEK REFERENCE PAGE MII-7473 rev. 5/19/2020 BEFORE USE.

Design valid for use only with MiTek® connectors. This design is based only upon parameters shown, and is for an individual building component, not a truss system. Before use, the building designer must verify the applicability of design parameters and properly incorporate this design into the overall building design. Bracing indicated is to prevent buckling of individual truss web and/or chord members only. Additional temporary and permanent bracing is always required for stability and to prevent collapse with possible personal injury and property damage. For general guidance regarding the fabrication, storage, delivery, erection and bracing of trusses and truss systems, see **ANSI/TPI1 Quality Criteria, DSB-89 and BCSI Building Component Safety Information** available from Truss Plate Institute, 2670 Crain Highway, Suite 203 Waldorf, MD 20601



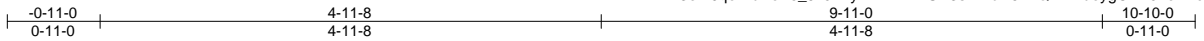
818 Soundside Road
 Edenton, NC 27932

Job J0122-0372	Truss G1	Truss Type COMMON	Qty 4	Ply 1	Lot 7 Mitchell Manor II Job Reference (optional)	I49971071
-------------------	-------------	----------------------	----------	----------	---	-----------

Comtech, Inc., Fayetteville, NC - 28314,

8.430 s Aug 16 2021 MiTek Industries, Inc. Mon Jan 31 08:12:41 2022 Page 1

ID:I4HRAT3eIT9qoRldAoEs_5z0Axy-h2kA2A4SR3smwdR5h4QniKXdoygOR?0neLDcUkZpuga



Scale = 1:21.5

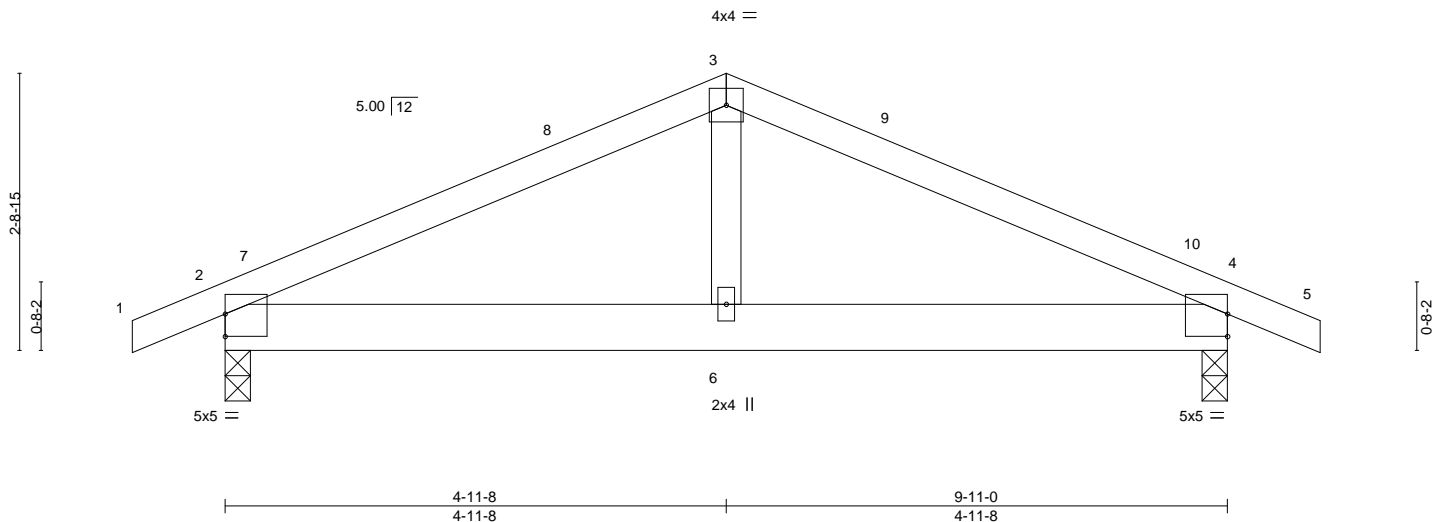


Plate Offsets (X,Y)-- [2:0-0-0,0-2-11], [4:Edge,0-2-11]

LOADING (psf)	SPACING-	CSI.	DEFL.	PLATES	GRIP
TCLL 20.0	2-0-0	TC 0.29	in (loc) l/defl L/d	MT20	244/190
TCDL 10.0	Plate Grip DOL 1.15	BC 0.57	Vert(LL) 0.03 2-6 >999 240		
BCLL 0.0 *	Lumber DOL 1.15	WB 0.05	Vert(CT) -0.01 4-6 >999 240		
BCDL 10.0	Rep Stress Incr YES	Matrix-S	Horz(CT) -0.00 4 n/a n/a		
	Code IRC2015/TPI2014			Weight: 45 lb	FT = 20%

LUMBER-
TOP CHORD 2x4 SP No.1
BOT CHORD 2x6 SP No.1
WEBS 2x4 SP No.2

BRACING-
TOP CHORD Structural wood sheathing directly applied or 6-0-0 oc purlins.
BOT CHORD Rigid ceiling directly applied or 9-2-9 oc bracing.

REACTIONS. (size) 2=0-3-0, 4=0-3-0
Max Horz 2=-39(LC 17)
Max Uplift 2=-225(LC 8), 4=-225(LC 9)
Max Grav 2=449(LC 1), 4=449(LC 1)

FORCES. (lb) - Max. Comp./Max. Ten. - All forces 250 (lb) or less except when shown.
TOP CHORD 2-3=-554/872, 3-4=-554/872
BOT CHORD 2-6=-667/437, 4-6=-667/437
WEBS 3-6=-461/239

- NOTES-**
- Unbalanced roof live loads have been considered for this design.
 - Wind: ASCE 7-10; Vult=150mph Vasd=119mph; TCDL=6.0psf; BCDL=6.0psf; h=15ft; Cat. II; Exp C; Enclosed; MWFRS (envelope) and C-C Exterior(2) -0-11-0 to 3-5-13, Interior(1) 3-5-13 to 4-11-8, Exterior(2) 4-11-8 to 9-4-5, Interior(1) 9-4-5 to 10-10-0 zone; porch left and right exposed; C-C for members and forces & MWFRS for reactions shown; Lumber DOL=1.60 plate grip DOL=1.60
 - This truss has been designed for a 10.0 psf bottom chord live load nonconcurrent with any other live loads.
 - * This truss has been designed for a live load of 30.0psf on the bottom chord in all areas where a rectangle 3-6-0 tall by 2-0-0 wide will fit between the bottom chord and any other members.
 - Provide mechanical connection (by others) of truss to bearing plate capable of withstanding 100 lb uplift at joint(s) except (jt=lb) 2=225, 4=225.
 - This truss is designed in accordance with the 2015 International Residential Code sections R502.11.1 and R802.10.2 and referenced standard ANSI/TPI 1.



January 31, 2022

WARNING - Verify design parameters and READ NOTES ON THIS AND INCLUDED MITEK REFERENCE PAGE MII-7473 rev. 5/19/2020 BEFORE USE.
Design valid for use only with MiTek® connectors. This design is based only upon parameters shown, and is for an individual building component, not a truss system. Before use, the building designer must verify the applicability of design parameters and properly incorporate this design into the overall building design. Bracing indicated is to prevent buckling of individual truss web and/or chord members only. Additional temporary and permanent bracing is always required for stability and to prevent collapse with possible personal injury and property damage. For general guidance regarding the fabrication, storage, delivery, erection and bracing of trusses and truss systems, see **ANSI/TPI1 Quality Criteria, DSB-89 and BCSI Building Component Safety Information** available from Truss Plate Institute, 2670 Crain Highway, Suite 203 Waldorf, MD 20601



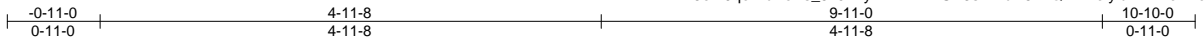
818 Soundside Road
Edenton, NC 27932

Job J0122-0372	Truss G1GE	Truss Type GABLE	Qty 1	Ply 1	Lot 7 Mitchell Manor II Job Reference (optional)	I49971072
-------------------	---------------	---------------------	----------	----------	---	-----------

Comtech, Inc. Fayetteville, NC - 28314,

8.430 s Aug 16 2021 MiTek Industries, Inc. Mon Jan 31 08:12:41 2022 Page 1

ID:I4HRAT3eIT9qoRIdAoEs_5z0Axy-h2kA2A4SR3smwdR5h4QniKXelyidR?wneLDcUKzpuga



Scale = 1:21.5

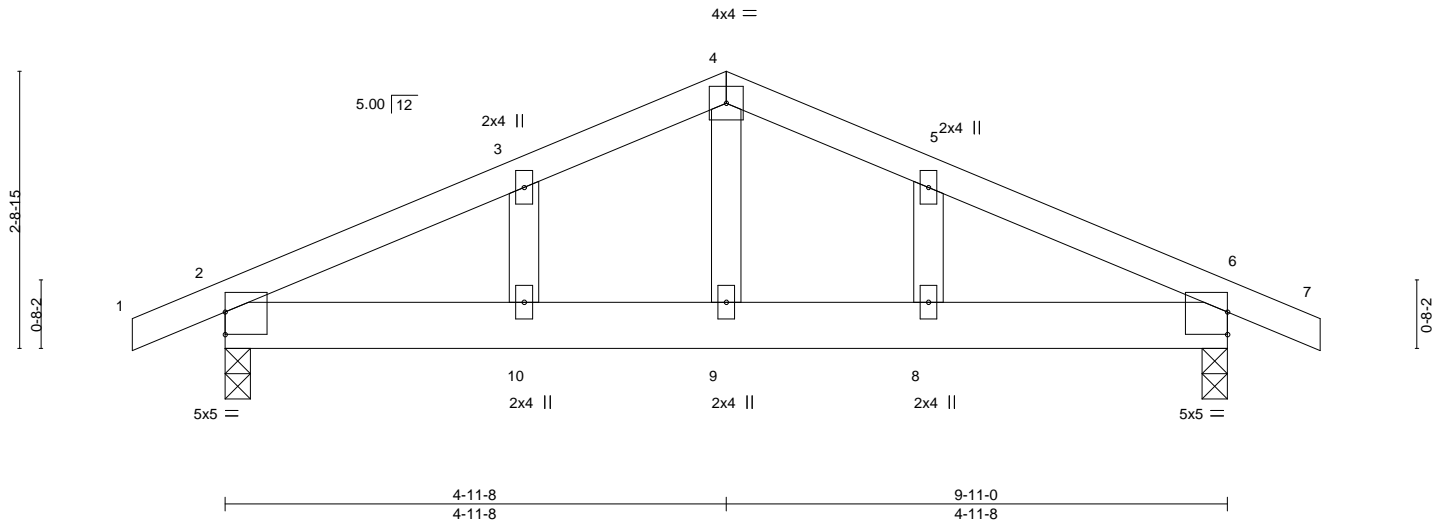


Plate Offsets (X,Y)-- [2:0-0-0,0-2-11], [6:Edge,0-2-11]

LOADING (psf)	SPACING-	CSI.	DEFL.	in (loc)	I/defl	L/d	PLATES	GRIP
TCLL 20.0	2-0-0	TC 0.23	Vert(LL)	-0.01	8	>999	MT20	244/190
TCDL 10.0	Plate Grip DOL 1.15	BC 0.42	Vert(CT)	-0.02	8	>999		
BCLL 0.0 *	Lumber DOL 1.15	WB 0.06	Horz(CT)	-0.01	6	n/a		
BCDL 10.0	Rep Stress Incr YES	Matrix-S	Wind(LL)	0.02	8	>999	Weight: 49 lb	FT = 20%
	Code IRC2015/TPI2014							

LUMBER-

TOP CHORD 2x4 SP No.1
 BOT CHORD 2x6 SP No.1
 WEBS 2x4 SP No.2
 OTHERS 2x4 SP No.2

BRACING-

TOP CHORD Structural wood sheathing directly applied or 6-0-0 oc purlins.
 BOT CHORD Rigid ceiling directly applied or 9-1-14 oc bracing.

REACTIONS.

(size) 2=0-3-0, 6=0-3-0
 Max Horz 2=66(LC 13)
 Max Uplift 2=297(LC 8), 6=297(LC 9)
 Max Grav 2=449(LC 1), 6=449(LC 1)

FORCES.

(lb) - Max. Comp./Max. Ten. - All forces 250 (lb) or less except when shown.
 TOP CHORD 2-3=-541/873, 3-4=-494/920, 4-5=-494/920, 5-6=-541/873
 BOT CHORD 2-10=-688/437, 9-10=-688/437, 8-9=-688/437, 6-8=-688/437
 WEBS 4-9=-534/232

NOTES-

- Unbalanced roof live loads have been considered for this design.
- Wind: ASCE 7-10; Vult=150mph Vasd=119mph; TCCL=6.0psf; BCCL=6.0psf; h=15ft; Cat. II; Exp C; Enclosed; MWFRS (envelope) gable end zone and C-C Exterior(2) zone; porch left and right exposed; C-C for members and forces & MWFRS for reactions shown; Lumber DOL=1.60 plate grip DOL=1.60
- Truss designed for wind loads in the plane of the truss only. For studs exposed to wind (normal to the face), see Standard Industry Gable End Details as applicable, or consult qualified building designer as per ANSI/TPI 1.
- Gable studs spaced at 2-0-0 oc.
- This truss has been designed for a 10.0 psf bottom chord live load nonconcurrent with any other live loads.
- * This truss has been designed for a live load of 30.0psf on the bottom chord in all areas where a rectangle 3-6-0 tall by 2-0-0 wide will fit between the bottom chord and any other members.
- Provide mechanical connection (by others) of truss to bearing plate capable of withstanding 100 lb uplift at joint(s) except (jt=lb) 2=297, 6=297.
- This truss is designed in accordance with the 2015 International Residential Code sections R502.11.1 and R802.10.2 and referenced standard ANSI/TPI 1.



January 31, 2022

WARNING - Verify design parameters and READ NOTES ON THIS AND INCLUDED MITEK REFERENCE PAGE MII-7473 rev. 5/19/2020 BEFORE USE.

Design valid for use only with MiTek® connectors. This design is based only upon parameters shown, and is for an individual building component, not a truss system. Before use, the building designer must verify the applicability of design parameters and properly incorporate this design into the overall building design. Bracing indicated is to prevent buckling of individual truss web and/or chord members only. Additional temporary and permanent bracing is always required for stability and to prevent collapse with possible personal injury and property damage. For general guidance regarding the fabrication, storage, delivery, erection and bracing of trusses and truss systems, see ANS/TPI1 Quality Criteria, DSB-89 and BCSI Building Component Safety Information available from Truss Plate Institute, 2670 Crain Highway, Suite 203 Waldorf, MD 20601

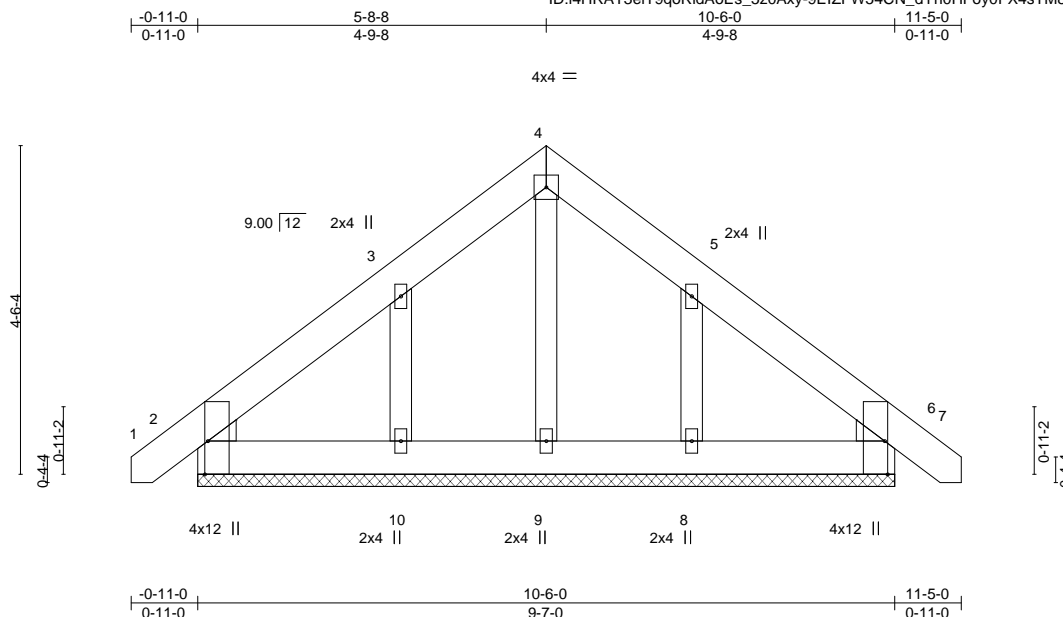


818 Soundside Road
 Edenton, NC 27932

Job J0122-0372	Truss H1GE	Truss Type COMMON SUPPORTED GAB	Qty 1	Ply 1	Lot 7 Mitchell Manor II Job Reference (optional)	I49971073
-------------------	---------------	------------------------------------	----------	----------	---	-----------

Comtech, Inc. Fayetteville, NC - 28314,

8.430 s Aug 16 2021 MiTek Industries, Inc. Mon Jan 31 08:12:42 2022 Page 1
ID:I4HRAT3eIT9qoRldAoEs_5z0Axy-9EIZFW54CN_dYn0HFoy0FX4sTM82ASRwt?z90mzpugZ



Scale = 1:29.8

Plate Offsets (X,Y)--	[2:0-5-8,Edge], [6:0-5-8,Edge]
-----------------------	--------------------------------

LOADING (psf)	SPACING-	CSI.	DEFL.	in (loc)	l/defl	L/d	PLATES	GRIP
TCLL 20.0	2-0-0	TC 0.04	Vert(LL) 0.00	6	n/r	120	MT20	244/190
TCDL 10.0	Plate Grip DOL 1.15	BC 0.03	Vert(CT) 0.00	6	n/r	120		
BCLL 0.0 *	Lumber DOL 1.15	WB 0.04	Horz(CT) 0.00	6	n/a	n/a		
BCDL 10.0	Rep Stress Incr YES	Matrix-S					Weight: 69 lb	FT = 20%
	Code IRC2015/TPI2014							

LUMBER-
TOP CHORD 2x6 SP No.1
BOT CHORD 2x6 SP No.1
OTHERS 2x4 SP No.2
WEDGE
Left: 2x4 SP No.2 , Right: 2x4 SP No.2

BRACING-
TOP CHORD Structural wood sheathing directly applied or 6'-0-0 oc purlins.
BOT CHORD Rigid ceiling directly applied or 10'-0-0 oc bracing.

REACTIONS. All bearings 9-7-0.
(lb) - Max Horz 2=166(LC 11)
Max Uplift All uplift 100 lb or less at joint(s) 2, 6 except 10=229(LC 12), 8=223(LC 13)
Max Grav All reactions 250 lb or less at joint(s) 2, 6, 9 except 10=283(LC 19), 8=277(LC 20)

FORCES. (lb) - Max. Comp./Max. Ten. - All forces 250 (lb) or less except when shown.
WEBS 3-10=279/241, 5-8=280/237

- NOTES-**
- Unbalanced roof live loads have been considered for this design.
 - Wind: ASCE 7-10; Vult=150mph Vasd=119mph; TCCL=6.0psf; BCCL=6.0psf; h=15ft; Cat. II; Exp C; Enclosed; MWFRS (envelope) gable end zone and C-C Exterior(2) zone;C-C for members and forces & MWFRS for reactions shown; Lumber DOL=1.60 plate grip DOL=1.60
 - Truss designed for wind loads in the plane of the truss only. For studs exposed to wind (normal to the face), see Standard Industry Gable End Details as applicable, or consult qualified building designer as per ANSI/TPI 1.
 - Gable requires continuous bottom chord bearing.
 - Gable studs spaced at 2-0-0 oc.
 - This truss has been designed for a 10.0 psf bottom chord live load nonconcurrent with any other live loads.
 - * This truss has been designed for a live load of 30.0psf on the bottom chord in all areas where a rectangle 3-6-0 tall by 2-0-0 wide will fit between the bottom chord and any other members.
 - Provide mechanical connection (by others) of truss to bearing plate capable of withstanding 100 lb uplift at joint(s) 2, 6 except (jt=lb) 10=229, 8=223.
 - This truss is designed in accordance with the 2015 International Residential Code sections R502.11.1 and R802.10.2 and referenced standard ANSI/TPI 1.
 - See Standard Industry Piggyback Truss Connection Detail for Connection to base truss as applicable, or consult qualified building designer.



January 31, 2022

WARNING - Verify design parameters and READ NOTES ON THIS AND INCLUDED MITTEK REFERENCE PAGE MII-7473 rev. 5/19/2020 BEFORE USE.
Design valid for use only with MiTek® connectors. This design is based only upon parameters shown, and is for an individual building component, not a truss system. Before use, the building designer must verify the applicability of design parameters and properly incorporate this design into the overall building design. Bracing indicated is to prevent buckling of individual truss web and/or chord members only. Additional temporary and permanent bracing is always required for stability and to prevent collapse with possible personal injury and property damage. For general guidance regarding the fabrication, storage, delivery, erection and bracing of trusses and truss systems, see **ANSI/TPI1 Quality Criteria, DSB-89 and BCSI Building Component Safety Information** available from Truss Plate Institute, 2670 Crain Highway, Suite 203 Waldorf, MD 20601



818 Soundside Road
Edenton, NC 27932

Job J0122-0372	Truss J1	Truss Type MONOPITCH	Qty 6	Ply 1	Lot 7 Mitchell Manor II Job Reference (optional)	I49971074
-------------------	-------------	-------------------------	----------	----------	---	-----------

Comtech, Inc, Fayetteville, NC - 28314,

8.430 s Aug 16 2021 MiTek Industries, Inc. Mon Jan 31 08:12:43 2022 Page 1
ID:I4HRAT3eIT9qoRldAoEs_5z0Axy-eRxsSs6jzg6U9xbTpVTFoldvimSzvL45fijYcZpugY



Scale = 1:13.4

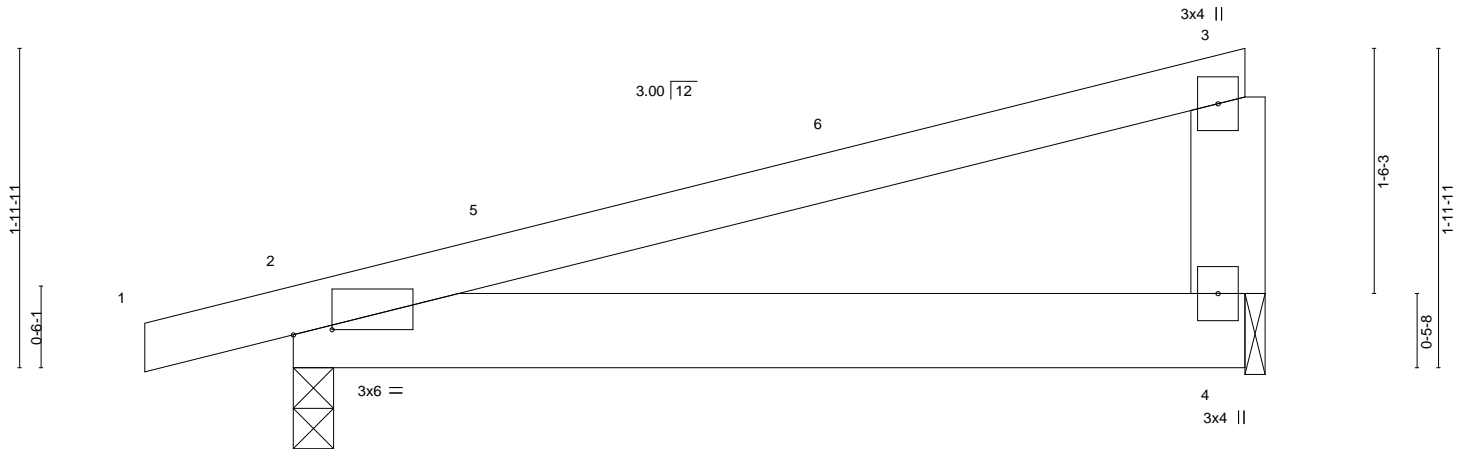


Plate Offsets (X,Y)-- [2:0-2-14,0-0-6]

LOADING (psf)	SPACING- 2-0-0	CSI.	DEFL. in (loc)	PLATES	GRIP
TCLL 20.0	Plate Grip DOL 1.15	TC 0.45	Vert(LL) 0.04 2-4 >999 240	MT20	244/190
TCDL 10.0	Lumber DOL 1.15	BC 0.18	Vert(CT) -0.03 2-4 >999 240		
BCLL 0.0 *	Rep Stress Incr YES	WB 0.00	Horz(CT) 0.00 n/a n/a		
BCDL 10.0	Code IRC2015/TPI2014	Matrix-P		Weight: 27 lb	FT = 20%

LUMBER-

TOP CHORD 2x4 SP No.1
BOT CHORD 2x6 SP No.1
WEBS 2x6 SP No.1

BRACING-

TOP CHORD Structural wood sheathing directly applied or 6-0-0 oc purlins, except end verticals.
BOT CHORD Rigid ceiling directly applied or 10-0-0 oc bracing.

REACTIONS.

(size) 2=0-3-0, 4=0-1-8
Max Horz 2=75(LC 8)
Max Uplift 2=188(LC 8), 4=143(LC 8)
Max Grav 2=294(LC 1), 4=220(LC 1)

FORCES. (lb) - Max. Comp./Max. Ten. - All forces 250 (lb) or less except when shown.

NOTES-

- 1) Wind: ASCE 7-10; Vult=150mph Vasd=119mph; TCCL=6.0psf; BCDL=6.0psf; h=15ft; Cat. II; Exp C; Enclosed; MWFRS (envelope) and C-C Exterior(2) -0-11-0 to 3-5-13, Interior(1) 3-5-13 to 5-9-4 zone; porch left exposed; C-C for members and forces & MWFRS for reactions shown; Lumber DOL=1.60 plate grip DOL=1.60
- 2) This truss has been designed for a 10.0 psf bottom chord live load nonconcurrent with any other live loads.
- 3) * This truss has been designed for a live load of 30.0psf on the bottom chord in all areas where a rectangle 3-6-0 tall by 2-0-0 wide will fit between the bottom chord and any other members.
- 4) Bearing at joint(s) 4 considers parallel to grain value using ANSI/TPI 1 angle to grain formula. Building designer should verify capacity of bearing surface.
- 5) Provide mechanical connection (by others) of truss to bearing plate at joint(s) 4.
- 6) Provide mechanical connection (by others) of truss to bearing plate capable of withstanding 100 lb uplift at joint(s) except (jt=lb) 2=188, 4=143.
- 7) This truss is designed in accordance with the 2015 International Residential Code sections R502.11.1 and R802.10.2 and referenced standard ANSI/TPI 1.



January 31, 2022

WARNING - Verify design parameters and READ NOTES ON THIS AND INCLUDED MITEK REFERENCE PAGE MII-7473 rev. 5/19/2020 BEFORE USE.

Design valid for use only with MiTek® connectors. This design is based only upon parameters shown, and is for an individual building component, not a truss system. Before use, the building designer must verify the applicability of design parameters and properly incorporate this design into the overall building design. Bracing indicated is to prevent buckling of individual truss web and/or chord members only. Additional temporary and permanent bracing is always required for stability and to prevent collapse with possible personal injury and property damage. For general guidance regarding the fabrication, storage, delivery, erection and bracing of trusses and truss systems, see **ANSI/TPI1 Quality Criteria, DSB-89 and BCSI Building Component Safety Information** available from Truss Plate Institute, 2670 Crain Highway, Suite 203 Waldorf, MD 20601



818 Soundside Road
Edenton, NC 27932

Job	Truss	Truss Type	Qty	Ply	Lot 7 Mitchell Manor II	I49971075
J0122-0372	J1GE	GABLE	1	1	Job Reference (optional)	

Comtech, Inc. Fayetteville, NC - 28314.

8.430 s Aug 16 2021 MiTek Industries, Inc. Mon Jan 31 08:12:44 2022 Page 1
 ID:I4HRAT3eIT9qoRIdAoEs_5z0Axy-6dQJgC7Lk_EKn5AfMD_UKy99Y9o4eMDDKJSG4ezpugX



Scale = 1:13.4

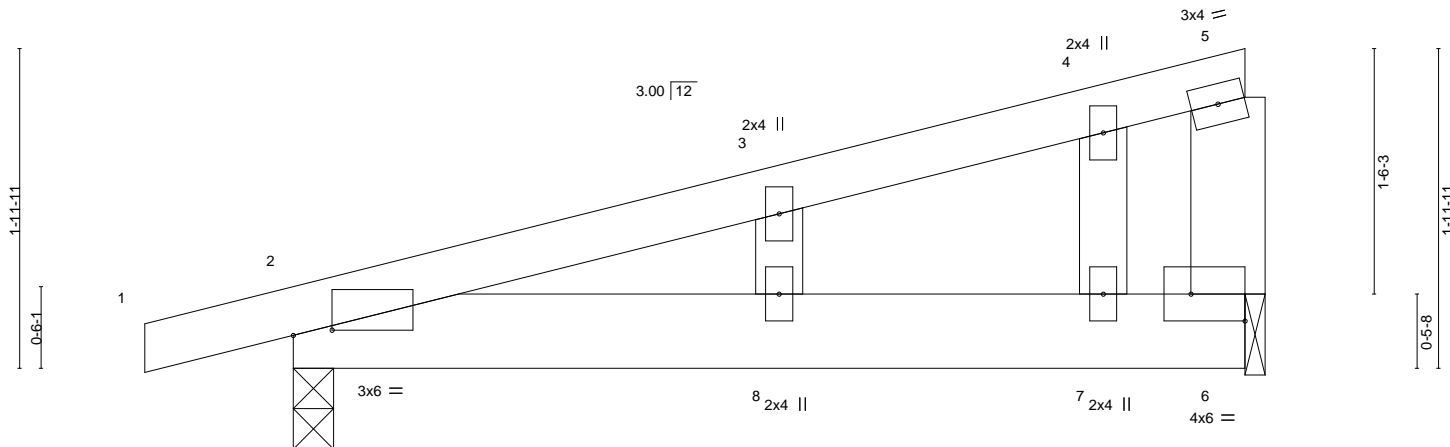


Plate Offsets (X,Y)-- [2:0-2-14,0-0-6], [6:Edge,0-2-0]

LOADING (psf)	SPACING-	CSI.	DEFL.	PLATES	GRIP
TCLL 20.0	2-0-0	TC 0.19	in (loc) l/defl L/d	MT20	244/190
TCDL 10.0	Plate Grip DOL 1.15	BC 0.18	Vert(LL) 0.04 8 >999 240		
BCLL 0.0 *	Lumber DOL 1.15	WB 0.02	Vert(CT) -0.02 8 >999 240		
BCDL 10.0	Rep Stress Incr YES	Matrix-S	Horz(CT) -0.00 6 n/a n/a		
	Code IRC2015/TPI2014			Weight: 29 lb	FT = 20%

LUMBER-
 TOP CHORD 2x4 SP No.1
 BOT CHORD 2x6 SP No.1
 WEBS 2x6 SP No.1
 OTHERS 2x4 SP No.2

BRACING-
 TOP CHORD Structural wood sheathing directly applied or 6-0-0 oc purlins, except end verticals.
 BOT CHORD Rigid ceiling directly applied or 10-0-0 oc bracing.

REACTIONS. (size) 2=0-3-0, 6=0-1-8
 Max Horz 2=106(LC 8)
 Max Uplift 2=259(LC 8), 6=199(LC 8)
 Max Grav 2=294(LC 1), 6=220(LC 1)

FORCES. (lb) - Max. Comp./Max. Ten. - All forces 250 (lb) or less except when shown.
 BOT CHORD 2-8=-275/133, 7-8=-275/133, 6-7=-275/133

- NOTES-**
- 1) Wind: ASCE 7-10; Vult=150mph Vasd=119mph; TCDL=6.0psf; BCDL=6.0psf; h=15ft; Cat. II; Exp C; Enclosed; MWFRS (envelope) gable end zone and C-C Exterior(2) zone; porch left exposed;C-C for members and forces & MWFRS for reactions shown; Lumber DOL=1.60 plate grip DOL=1.60
 - 2) Truss designed for wind loads in the plane of the truss only. For studs exposed to wind (normal to the face), see Standard Industry Gable End Details as applicable, or consult qualified building designer as per ANSI/TPI 1.
 - 3) Gable studs spaced at 2-0-0 oc.
 - 4) This truss has been designed for a 10.0 psf bottom chord live load nonconcurrent with any other live loads.
 - 5) * This truss has been designed for a live load of 30.0psf on the bottom chord in all areas where a rectangle 3-6-0 tall by 2-0-0 wide will fit between the bottom chord and any other members.
 - 6) Bearing at joint(s) 6 considers parallel to grain value using ANSI/TPI 1 angle to grain formula. Building designer should verify capacity of bearing surface.
 - 7) Provide mechanical connection (by others) of truss to bearing plate at joint(s) 6.
 - 8) Provide mechanical connection (by others) of truss to bearing plate capable of withstanding 100 lb uplift at joint(s) except (jt=lb) 2=259, 6=199.
 - 9) This truss is designed in accordance with the 2015 International Residential Code sections R502.11.1 and R802.10.2 and referenced standard ANSI/TPI 1.



January 31, 2022

WARNING - Verify design parameters and READ NOTES ON THIS AND INCLUDED MITEK REFERENCE PAGE MII-7473 rev. 5/19/2020 BEFORE USE.
 Design valid for use only with MiTek® connectors. This design is based only upon parameters shown, and is for an individual building component, not a truss system. Before use, the building designer must verify the applicability of design parameters and properly incorporate this design into the overall building design. Bracing indicated is to prevent buckling of individual truss web and/or chord members only. Additional temporary and permanent bracing is always required for stability and to prevent collapse with possible personal injury and property damage. For general guidance regarding the fabrication, storage, delivery, erection and bracing of trusses and truss systems, see **ANSI/TPI1 Quality Criteria, DSB-89 and BCSI Building Component Safety Information** available from Truss Plate Institute, 2670 Crain Highway, Suite 203 Waldorf, MD 20601



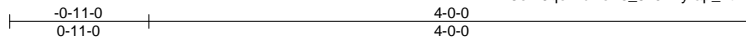
818 Soundside Road
 Edenton, NC 27932

Job J0122-0372	Truss M1	Truss Type MONOPITCH	Qty 6	Ply 1	Lot 7 Mitchell Manor II Job Reference (optional)	I49971076
-------------------	-------------	-------------------------	----------	----------	---	-----------

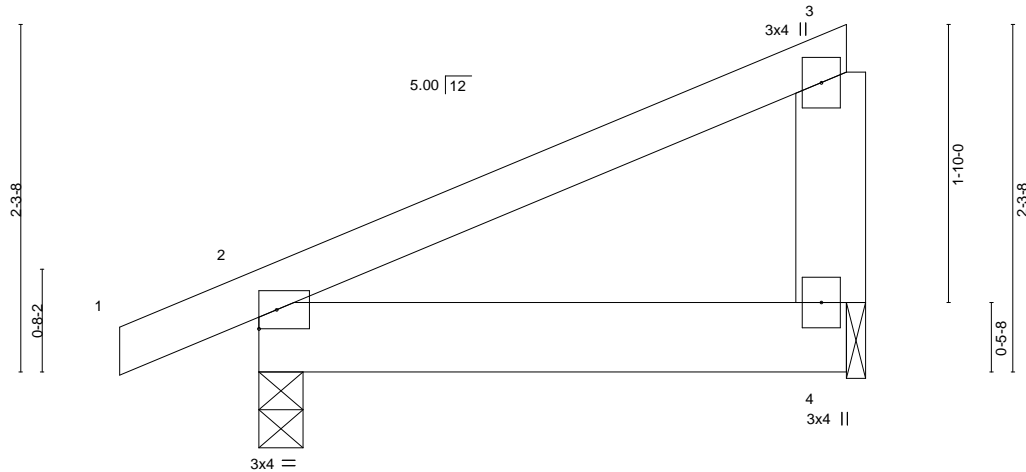
Comtech, Inc. Fayetteville, NC - 28314,

8.430 s Aug 16 2021 MiTek Industries, Inc. Mon Jan 31 08:12:45 2022 Page 1

ID:14HRAT3eIT9qRldAoEs_5z0Axy-ap_htY7zVIMBPFIswwVjtAiJ4Z7qNpqNZyCpd5zpugW



Scale = 1:14.3



LOADING (psf)	SPACING- 2-0-0	CSI.	DEFL. in (loc) l/defl L/d	PLATES	GRIP
TCLL 20.0	Plate Grip DOL 1.15	TC 0.21	Vert(LL) -0.00 2-4 >999 360	MT20	244/190
TCDL 10.0	Lumber DOL 1.15	BC 0.21	Vert(CT) -0.00 2-4 >999 240		
BCLL 0.0 *	Rep Stress Incr YES	WB 0.00	Horz(CT) 0.00 n/a n/a		
BCDL 10.0	Code IRC2015/TPI2014	Matrix-P	Wind(LL) 0.00 2 **** 240	Weight: 20 lb	FT = 20%

LUMBER-

TOP CHORD 2x4 SP No.1
 BOT CHORD 2x6 SP No.1
 WEBS 2x6 SP No.1

BRACING-

TOP CHORD Structural wood sheathing directly applied or 4-0-0 oc purlins, except end verticals.
 BOT CHORD Rigid ceiling directly applied or 10-0-0 oc bracing.

REACTIONS.

(size) 2=0-3-8, 4=0-1-8
 Max Horz 2=84(LC 12)
 Max Uplift 2=-48(LC 8), 4=-52(LC 12)
 Max Grav 2=218(LC 1), 4=136(LC 1)

FORCES. (lb) - Max. Comp./Max. Ten. - All forces 250 (lb) or less except when shown.

NOTES-

- 1) Wind: ASCE 7-10; Vult=150mph Vasd=119mph; TCCL=6.0psf; BCDL=6.0psf; h=15ft; Cat. II; Exp C; Enclosed; MWFRS (envelope) and C-C Exterior(2) zone; C-C for members and forces & MWFRS for reactions shown; Lumber DOL=1.60 plate grip DOL=1.60
- 2) This truss has been designed for a 10.0 psf bottom chord live load nonconcurrent with any other live loads.
- 3) * This truss has been designed for a live load of 30.0psf on the bottom chord in all areas where a rectangle 3-6-0 tall by 2-0-0 wide will fit between the bottom chord and any other members.
- 4) Bearing at joint(s) 4 considers parallel to grain value using ANSI/TPI 1 angle to grain formula. Building designer should verify capacity of bearing surface.
- 5) Provide mechanical connection (by others) of truss to bearing plate at joint(s) 4.
- 6) Provide mechanical connection (by others) of truss to bearing plate capable of withstanding 100 lb uplift at joint(s) 2, 4.
- 7) This truss is designed in accordance with the 2015 International Residential Code sections R502.11.1 and R802.10.2 and referenced standard ANSI/TPI 1.



January 31, 2022

WARNING - Verify design parameters and READ NOTES ON THIS AND INCLUDED MITEK REFERENCE PAGE MII-7473 rev. 5/19/2020 BEFORE USE.

Design valid for use only with MiTek® connectors. This design is based only upon parameters shown, and is for an individual building component, not a truss system. Before use, the building designer must verify the applicability of design parameters and properly incorporate this design into the overall building design. Bracing indicated is to prevent buckling of individual truss web and/or chord members only. Additional temporary and permanent bracing is always required for stability and to prevent collapse with possible personal injury and property damage. For general guidance regarding the fabrication, storage, delivery, erection and bracing of trusses and truss systems, see **ANSI/TPI1 Quality Criteria, DSB-89 and BCSI Building Component Safety Information** available from Truss Plate Institute, 2670 Crain Highway, Suite 203 Waldorf, MD 20601

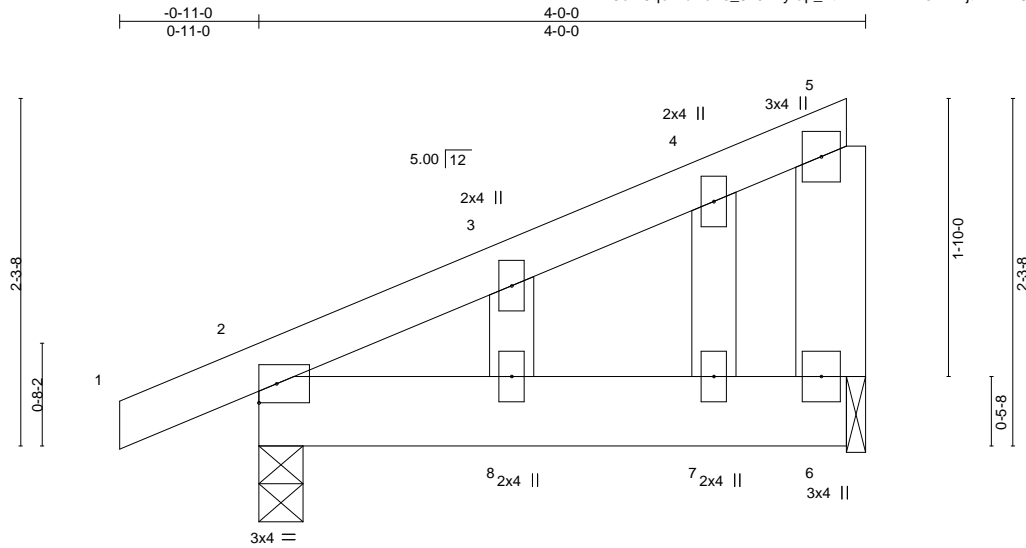


818 Soundside Road
 Edenton, NC 27932

Job J0122-0372	Truss M1GE	Truss Type GABLE	Qty 1	Ply 1	Lot 7 Mitchell Manor II Job Reference (optional)	I49971077
-------------------	---------------	---------------------	----------	----------	---	-----------

Comtech, Inc. Fayetteville, NC - 28314,

8.430 s Aug 16 2021 MiTek Industries, Inc. Mon Jan 31 08:12:45 2022 Page 1
ID:I4HRAT3eIT9qoRldAoEs_5z0Axy-ap_hTY7zVIMBPFIswwVjtAiMLZ9YNpSNZyCpd5zpugW



Scale = 1:14.3

LOADING (psf)	SPACING- 2-0-0	CSI.	DEFL. in (loc) l/defl L/d	PLATES	GRIP
TCLL 20.0	Plate Grip DOL 1.15	TC 0.06	Vert(LL) 0.00 8 >999 240	MT20	244/190
TCDL 10.0	Lumber DOL 1.15	BC 0.10	Vert(CT) -0.00 8 >999 240		
BCLL 0.0 *	Rep Stress Incr YES	WB 0.02	Horz(CT) -0.00 6 n/a n/a		
BCDL 10.0	Code IRC2015/TPI2014	Matrix-S		Weight: 23 lb	FT = 20%

LUMBER-

TOP CHORD 2x4 SP No.1
 BOT CHORD 2x6 SP No.1
 WEBS 2x6 SP No.1 *Except*
 3-8: 2x4 SP No.2
 OTHERS 2x4 SP No.2

BRACING-

TOP CHORD Structural wood sheathing directly applied or 4-0-0 oc purlins, except end verticals.
 BOT CHORD Rigid ceiling directly applied or 10-0-0 oc bracing.

REACTIONS.

(size) 2=0-3-8, 6=0-1-8
 Max Horz 2=121(LC 12)
 Max Uplift 2=90(LC 12), 6=93(LC 12)
 Max Grav 2=218(LC 1), 6=136(LC 1)

FORCES. (lb) - Max. Comp./Max. Ten. - All forces 250 (lb) or less except when shown.

NOTES-

- Wind: ASCE 7-10; Vult=150mph Vasd=119mph; TCCL=6.0psf; BCDL=6.0psf; h=15ft; Cat. II; Exp C; Enclosed; MWFRS (envelope) gable end zone and C-C Exterior(2) zone; C-C for members and forces & MWFRS for reactions shown; Lumber DOL=1.60 plate grip DOL=1.60
- Truss designed for wind loads in the plane of the truss only. For studs exposed to wind (normal to the face), see Standard Industry Gable End Details as applicable, or consult qualified building designer as per ANSI/TPI 1.
- Gable studs spaced at 2-0-0 oc.
- This truss has been designed for a 10.0 psf bottom chord live load nonconcurrent with any other live loads.
- * This truss has been designed for a live load of 30.0psf on the bottom chord in all areas where a rectangle 3-6-0 tall by 2-0-0 wide will fit between the bottom chord and any other members.
- Bearing at joint(s) 6 considers parallel to grain value using ANSI/TPI 1 angle to grain formula. Building designer should verify capacity of bearing surface.
- Provide mechanical connection (by others) of truss to bearing plate at joint(s) 6.
- Provide mechanical connection (by others) of truss to bearing plate capable of withstanding 100 lb uplift at joint(s) 2, 6.
- This truss is designed in accordance with the 2015 International Residential Code sections R502.11.1 and R802.10.2 and referenced standard ANSI/TPI 1.



January 31, 2022

WARNING - Verify design parameters and READ NOTES ON THIS AND INCLUDED MITEK REFERENCE PAGE MII-7473 rev. 5/19/2020 BEFORE USE.
 Design valid for use only with MiTek® connectors. This design is based only upon parameters shown, and is for an individual building component, not a truss system. Before use, the building designer must verify the applicability of design parameters and properly incorporate this design into the overall building design. Bracing indicated is to prevent buckling of individual truss web and/or chord members only. Additional temporary and permanent bracing is always required for stability and to prevent collapse with possible personal injury and property damage. For general guidance regarding the fabrication, storage, delivery, erection and bracing of trusses and truss systems, see **ANSI/TPI1 Quality Criteria, DSB-89 and BCSI Building Component Safety Information** available from Truss Plate Institute, 2670 Crain Highway, Suite 203 Waldorf, MD 20601



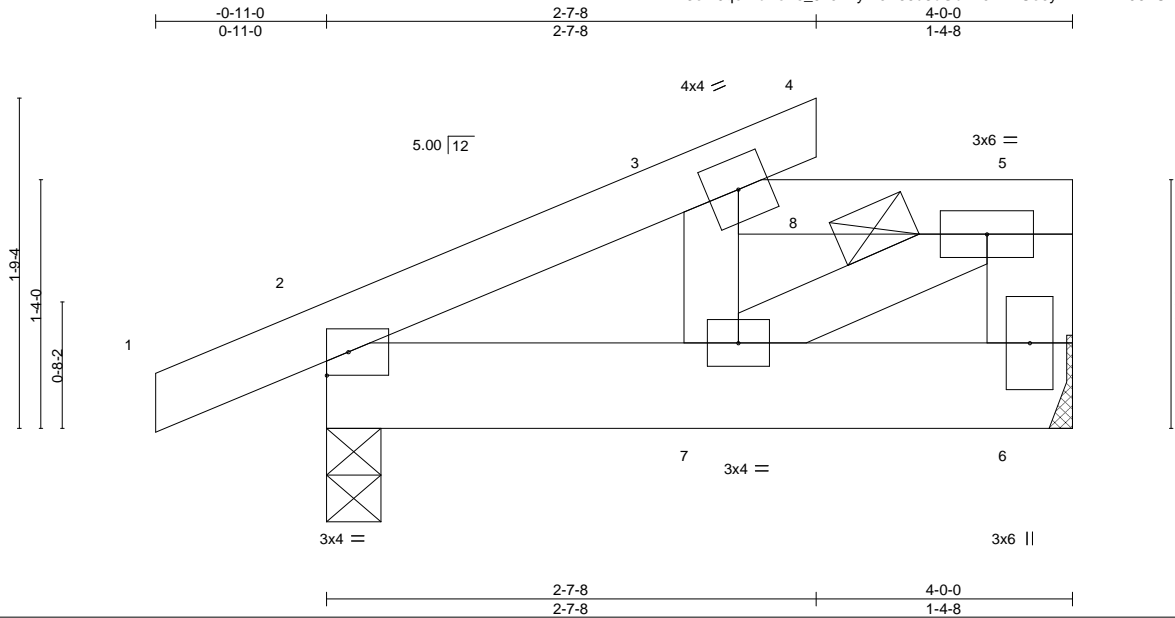
818 Soundside Road
 Edenton, NC 27932

Job J0122-0372	Truss M2	Truss Type HALF HIP	Qty 6	Ply 1	Lot 7 Mitchell Manor II Job Reference (optional)	I49971078
-------------------	-------------	------------------------	----------	----------	---	-----------

Comtech, Inc. Fayetteville, NC - 28314,

8.430 s Aug 16 2021 MiTek Industries, Inc. Mon Jan 31 08:12:46 2022 Page 1

ID:I4HRAT3elT9qoRIdAoEs_5z0Axy-20Y35u8bGbV20PK2Ue0yPNFRBzT96FUWncxN9XzpgV



Scale = 1:11.6

LOADING (psf)	SPACING-	CSI.	DEFL.	PLATES	GRIP
TCLL 20.0	2-0-0	TC 0.44	in (loc) l/defl L/d	MT20	244/190
TCDL 10.0	Plate Grip DOL 1.15	BC 0.21	Vert(LL) -0.00 7 >999 360		
BCLL 0.0 *	Lumber DOL 1.15	WB 0.10	Vert(CT) -0.00 7 >999 240		
BCDL 10.0	Rep Stress Incr NO	Matrix-P	Horz(CT) -0.00 6 n/a n/a		
	Code IRC2015/TPI2014		Wind(LL) 0.01 7 >999 240	Weight: 23 lb	FT = 20%

LUMBER-

TOP CHORD 2x4 SP No.1
 BOT CHORD 2x6 SP No.1
 WEBS 2x4 SP No.2 *Except*
 5-6: 2x6 SP No.1

BRACING-

TOP CHORD Structural wood sheathing directly applied or 4-0-0 oc purlins, except end verticals, and 2-0-0 oc purlins: 3-5.
 BOT CHORD Rigid ceiling directly applied or 10-0-0 oc bracing.

REACTIONS.

(size) 6=Mechanical, 2=0-3-8
 Max Horz 2=59(LC 12)
 Max Uplift 6=112(LC 9), 2=93(LC 8)
 Max Grav 6=546(LC 22), 2=387(LC 1)

FORCES.

(lb) - Max. Comp./Max. Ten. - All forces 250 (lb) or less except when shown.
 TOP CHORD 2-3=-470/402, 3-5=-366/461, 5-6=-489/492
 BOT CHORD 2-7=-492/386
 WEBS 3-7=-245/382, 5-7=-528/420

NOTES-

- Unbalanced roof live loads have been considered for this design.
- Wind: ASCE 7-10; Vult=150mph Vasd=119mph; TCCL=6.0psf; BCDL=6.0psf; h=15ft; Cat. II; Exp C; Enclosed; MWFRS (envelope) and C-C Exterior(2) zone; C-C for members and forces & MWFRS for reactions shown; Lumber DOL=1.60 plate grip DOL=1.60
- Provide adequate drainage to prevent water ponding.
- This truss has been designed for a 10.0 psf bottom chord live load nonconcurrent with any other live loads.
- * This truss has been designed for a live load of 30.0psf on the bottom chord in all areas where a rectangle 3-6-0 tall by 2-0-0 wide will fit between the bottom chord and any other members.
- Refer to girder(s) for truss to truss connections.
- Provide mechanical connection (by others) of truss to bearing plate capable of withstanding 100 lb uplift at joint(s) 2 except (jt=lb) 6=112.
- This truss is designed in accordance with the 2015 International Residential Code sections R502.11.1 and R802.10.2 and referenced standard ANSI/TPI 1.
- Load case(s) 1, 2, 3, 4, 5, 6, 7, 8, 9, 10, 11, 12, 13, 14, 15, 16, 17, 18, 19, 20, 21, 22, 23, 24, 25, 26 has/have been modified. Building designer must review loads to verify that they are correct for the intended use of this truss.
- Graphical purlin representation does not depict the size or the orientation of the purlin along the top and/or bottom chord.
- Hanger(s) or other connection device(s) shall be provided sufficient to support concentrated load(s) . The design/selection of such connection device(s) is the responsibility of others.

LOAD CASE(S) Standard

- Dead + Roof Live (balanced): Lumber Increase=1.15, Plate Increase=1.15
 Uniform Loads (plf)
 Vert: 1-3=-60, 3-4=-60, 3-8=-40, 5-8=-80, 2-6=-20
 Concentrated Loads (lb)
 Vert: 8=500



January 31, 2022

Continued on page 2

WARNING - Verify design parameters and READ NOTES ON THIS AND INCLUDED MITEK REFERENCE PAGE MII-7473 rev. 5/19/2020 BEFORE USE.
 Design valid for use only with MiTek® connectors. This design is based upon parameters shown, and is for an individual building component, not a truss system. Before use, the building designer must verify the applicability of design parameters and properly incorporate this design into the overall building design. Bracing indicated is to prevent buckling of individual truss web and/or chord members only. Additional temporary and permanent bracing is always required for stability and to prevent collapse with possible personal injury and property damage. For general guidance regarding the fabrication, storage, delivery, erection and bracing of trusses and truss systems, see **ANSI/TPI1 Quality Criteria, DSB-89 and BCSI Building Component Safety Information** available from Truss Plate Institute, 2670 Crain Highway, Suite 203 Waldorf, MD 20601



Job	Truss	Truss Type	Qty	Ply	Lot 7 Mitchell Manor II	I49971078
J01122-0372	M2	HALF HIP	6	1	Job Reference (optional)	

Comtech, Inc., Fayetteville, NC - 28314,

8.430 s Aug 16 2021 MiTek Industries, Inc. Mon Jan 31 08:12:46 2022 Page 2
ID:I4HRAT3elT9qoRldAoEs_5z0Axy-20Y35u8GbV20PK2Ue0yPNFRBzT96FUWncxN9XzpgV

LOAD CASE(S) Standard

- 2) Dead + 0.75 Roof Live (balanced): Lumber Increase=1.15, Plate Increase=1.15
Uniform Loads (plf)
Vert: 1-3=-50, 3-4=-50, 3-8=-100, 5-8=-130, 2-6=-20
Concentrated Loads (lb)
Vert: 8=-438
- 3) Dead + Uninhabitable Attic Without Storage: Lumber Increase=1.25, Plate Increase=1.25
Uniform Loads (plf)
Vert: 1-3=-20, 3-4=-20, 3-5=-40, 2-6=-40
Concentrated Loads (lb)
Vert: 8=-375
- 4) Dead + 0.6 C-C Wind (Pos. Internal) Case 1: Lumber Increase=1.60, Plate Increase=1.60
Uniform Loads (plf)
Vert: 1-2=98, 2-3=82, 3-4=207, 3-5=67, 2-6=-12
Horz: 1-2=-110, 2-3=-94, 3-4=-219
Concentrated Loads (lb)
Vert: 8=467
- 5) Dead + 0.6 C-C Wind (Pos. Internal) Case 2: Lumber Increase=1.60, Plate Increase=1.60
Uniform Loads (plf)
Vert: 1-2=73, 2-3=82, 3-4=73, 3-5=67, 2-6=-12
Horz: 1-2=-85, 2-3=-94, 3-4=-85
Concentrated Loads (lb)
Vert: 8=467
- 6) Dead + 0.6 C-C Wind (Neg. Internal) Case 1: Lumber Increase=1.60, Plate Increase=1.60
Uniform Loads (plf)
Vert: 1-2=5, 2-3=-54, 3-4=30, 3-5=-64, 2-6=-20
Horz: 1-2=-25, 2-3=34, 3-4=-50
Concentrated Loads (lb)
Vert: 8=-462
- 7) Dead + 0.6 C-C Wind (Neg. Internal) Case 2: Lumber Increase=1.60, Plate Increase=1.60
Uniform Loads (plf)
Vert: 1-2=-45, 2-3=-54, 3-4=-45, 3-5=-64, 2-6=-20
Horz: 1-2=25, 2-3=34, 3-4=25
Concentrated Loads (lb)
Vert: 8=-462
- 8) Dead + 0.6 MWFRS Wind (Pos. Internal) Left: Lumber Increase=1.60, Plate Increase=1.60
Uniform Loads (plf)
Vert: 1-2=40, 2-3=20, 3-4=11, 3-5=11, 2-6=-12
Horz: 1-2=-52, 2-3=-32, 3-4=-23
Concentrated Loads (lb)
Vert: 8=121
- 9) Dead + 0.6 MWFRS Wind (Pos. Internal) Right: Lumber Increase=1.60, Plate Increase=1.60
Uniform Loads (plf)
Vert: 1-2=11, 2-3=20, 3-4=41, 3-5=11, 2-6=-12
Horz: 1-2=-23, 2-3=-32, 3-4=-53
Concentrated Loads (lb)
Vert: 8=121
- 10) Dead + 0.6 MWFRS Wind (Neg. Internal) Left: Lumber Increase=1.60, Plate Increase=1.60
Uniform Loads (plf)
Vert: 1-2=3, 2-3=-6, 3-4=3, 3-5=-15, 2-6=-20
Horz: 1-2=-23, 2-3=-14, 3-4=-23
Concentrated Loads (lb)
Vert: 8=-306
- 11) Dead + 0.6 MWFRS Wind (Neg. Internal) Right: Lumber Increase=1.60, Plate Increase=1.60
Uniform Loads (plf)
Vert: 1-2=3, 2-3=-6, 3-4=3, 3-5=-15, 2-6=-20
Horz: 1-2=-23, 2-3=-14, 3-4=-23
Concentrated Loads (lb)
Vert: 8=-306
- 12) Dead + 0.6 MWFRS Wind (Pos. Internal) 1st Parallel: Lumber Increase=1.60, Plate Increase=1.60
Uniform Loads (plf)
Vert: 1-2=22, 2-3=31, 3-4=22, 3-5=-5, 2-6=-12
Horz: 1-2=-34, 2-3=-43, 3-4=-34
Concentrated Loads (lb)
Vert: 8=121
- 13) Dead + 0.6 MWFRS Wind (Pos. Internal) 2nd Parallel: Lumber Increase=1.60, Plate Increase=1.60
Uniform Loads (plf)
Vert: 1-2=6, 2-3=15, 3-4=6, 3-5=-5, 2-6=-12
Horz: 1-2=-18, 2-3=-27, 3-4=-18
Concentrated Loads (lb)
Vert: 8=21
- 14) Dead + 0.6 MWFRS Wind (Pos. Internal) 3rd Parallel: Lumber Increase=1.60, Plate Increase=1.60
Uniform Loads (plf)
Vert: 1-2=22, 2-3=31, 3-4=22, 3-5=-5, 2-6=-12
Horz: 1-2=-34, 2-3=-43, 3-4=-34
Concentrated Loads (lb)
Vert: 8=121

Continued on page 3

WARNING - Verify design parameters and READ NOTES ON THIS AND INCLUDED MITEK REFERENCE PAGE MII-7473 rev. 5/19/2020 BEFORE USE.
Design valid for use only with MiTek® connectors. This design is based only upon parameters shown, and is for an individual building component, not a truss system. Before use, the building designer must verify the applicability of design parameters and properly incorporate this design into the overall building design. Bracing indicated is to prevent buckling of individual truss web and/or chord members only. Additional temporary and permanent bracing is always required for stability and to prevent collapse with possible personal injury and property damage. For general guidance regarding the fabrication, storage, delivery, erection and bracing of trusses and truss systems, see **ANSI/TPI1 Quality Criteria, DSB-89 and BCSI Building Component Safety Information** available from Truss Plate Institute, 2670 Crain Highway, Suite 203 Waldorf, MD 20601



818 Soundside Road
Edenton, NC 27932

Job	Truss	Truss Type	Qty	Ply	Lot 7 Mitchell Manor II	149971078
J0122-0372	M2	HALF HIP	6	1	Job Reference (optional)	

Comtech, Inc., Fayetteville, NC - 28314,

8.430 s Aug 16 2021 MiTek Industries, Inc. Mon Jan 31 08:12:46 2022 Page 3
ID:I4HRAT3eiT9qoRIdAoEs_5z0Axy-20Y35u8bGbV20PK2Ue0yPNFRBzT96FUWncxN9XzplugV

LOAD CASE(S) Standard

- 15) Dead + 0.6 MWFRS Wind (Pos. Internal) 4th Parallel: Lumber Increase=1.60, Plate Increase=1.60
Uniform Loads (plf)
Vert: 1-2=6, 2-3=15, 3-4=6, 3-5=-5, 2-6=-12
Horz: 1-2=-18, 2-3=-27, 3-4=-18
Concentrated Loads (lb)
Vert: 8=21
- 16) Dead + 0.6 MWFRS Wind (Neg. Internal) 1st Parallel: Lumber Increase=1.60, Plate Increase=1.60
Uniform Loads (plf)
Vert: 1-2=14, 2-3=5, 3-4=14, 3-5=-31, 2-6=-20
Horz: 1-2=-34, 2-3=-25, 3-4=-34
Concentrated Loads (lb)
Vert: 8=-306
- 17) Dead + 0.6 MWFRS Wind (Neg. Internal) 2nd Parallel: Lumber Increase=1.60, Plate Increase=1.60
Uniform Loads (plf)
Vert: 1-2=-2, 2-3=-11, 3-4=-2, 3-5=-31, 2-6=-20
Horz: 1-2=-18, 2-3=-9, 3-4=-18
Concentrated Loads (lb)
Vert: 8=-306
- 18) Dead: Lumber Increase=0.90, Plate Increase=0.90 Plt. metal=0.90
Uniform Loads (plf)
Vert: 1-3=-20, 3-4=-20, 3-5=-120, 2-6=-20
Concentrated Loads (lb)
Vert: 8=-250
- 19) Dead + 0.75 Roof Live (bal.) + 0.75 Attic Floor + 0.75(0.6 MWFRS Wind (Neg. Int) Left): Lumber Increase=1.60, Plate Increase=1.60
Uniform Loads (plf)
Vert: 1-2=-33, 2-3=-40, 3-4=-33, 3-8=-81, 5-8=-111, 2-6=-20
Horz: 1-2=-17, 2-3=-10, 3-4=-17
Concentrated Loads (lb)
Vert: 8=-480
- 20) Dead + 0.75 Roof Live (bal.) + 0.75 Attic Floor + 0.75(0.6 MWFRS Wind (Neg. Int) Right): Lumber Increase=1.60, Plate Increase=1.60
Uniform Loads (plf)
Vert: 1-2=-33, 2-3=-39, 3-4=-33, 3-8=-81, 5-8=-111, 2-6=-20
Horz: 1-2=-17, 2-3=-11, 3-4=-17
Concentrated Loads (lb)
Vert: 8=-480
- 21) Dead + 0.75 Roof Live (bal.) + 0.75 Attic Floor + 0.75(0.6 MWFRS Wind (Neg. Int) 1st Parallel): Lumber Increase=1.60, Plate Increase=1.60
Uniform Loads (plf)
Vert: 1-2=-24, 2-3=-31, 3-4=-24, 3-8=-93, 5-8=-123, 2-6=-20
Horz: 1-2=-26, 2-3=-19, 3-4=-26
Concentrated Loads (lb)
Vert: 8=-480
- 22) Dead + 0.75 Roof Live (bal.) + 0.75 Attic Floor + 0.75(0.6 MWFRS Wind (Neg. Int) 2nd Parallel): Lumber Increase=1.60, Plate Increase=1.60
Uniform Loads (plf)
Vert: 1-2=-36, 2-3=-43, 3-4=-36, 3-8=-93, 5-8=-123, 2-6=-20
Horz: 1-2=-14, 2-3=-7, 3-4=-14
Concentrated Loads (lb)
Vert: 8=-480
- 23) 1st Dead + Roof Live (unbalanced): Lumber Increase=1.15, Plate Increase=1.15
Uniform Loads (plf)
Vert: 1-3=-60, 3-4=-60, 3-8=-40, 5-8=-80, 2-6=-20
Concentrated Loads (lb)
Vert: 8=-500
- 24) 2nd Dead + Roof Live (unbalanced): Lumber Increase=1.15, Plate Increase=1.15
Uniform Loads (plf)
Vert: 1-3=-20, 3-4=-20, 3-8=-40, 5-8=-80, 2-6=-20
Concentrated Loads (lb)
Vert: 8=-500
- 25) 3rd Dead + 0.75 Roof Live (unbalanced): Lumber Increase=1.15, Plate Increase=1.15
Uniform Loads (plf)
Vert: 1-3=-50, 3-4=-50, 3-8=-100, 5-8=-130, 2-6=-20
Concentrated Loads (lb)
Vert: 8=-438
- 26) 4th Dead + 0.75 Roof Live (unbalanced): Lumber Increase=1.15, Plate Increase=1.15
Uniform Loads (plf)
Vert: 1-3=-20, 3-4=-20, 3-8=-100, 5-8=-130, 2-6=-20
Concentrated Loads (lb)
Vert: 8=-438

WARNING - Verify design parameters and READ NOTES ON THIS AND INCLUDED MITEK REFERENCE PAGE MII-7473 rev. 5/19/2020 BEFORE USE.

Design valid for use only with MiTek® connectors. This design is based only upon parameters shown, and is for an individual building component, not a truss system. Before use, the building designer must verify the applicability of design parameters and properly incorporate this design into the overall building design. Bracing indicated is to prevent buckling of individual truss web and/or chord members only. Additional temporary and permanent bracing is always required for stability and to prevent collapse with possible personal injury and property damage. For general guidance regarding the fabrication, storage, delivery, erection and bracing of trusses and truss systems, see **ANSI/TPI1 Quality Criteria, DSB-89 and BCSI Building Component Safety Information** available from Truss Plate Institute, 2670 Crain Highway, Suite 203 Waldorf, MD 20601

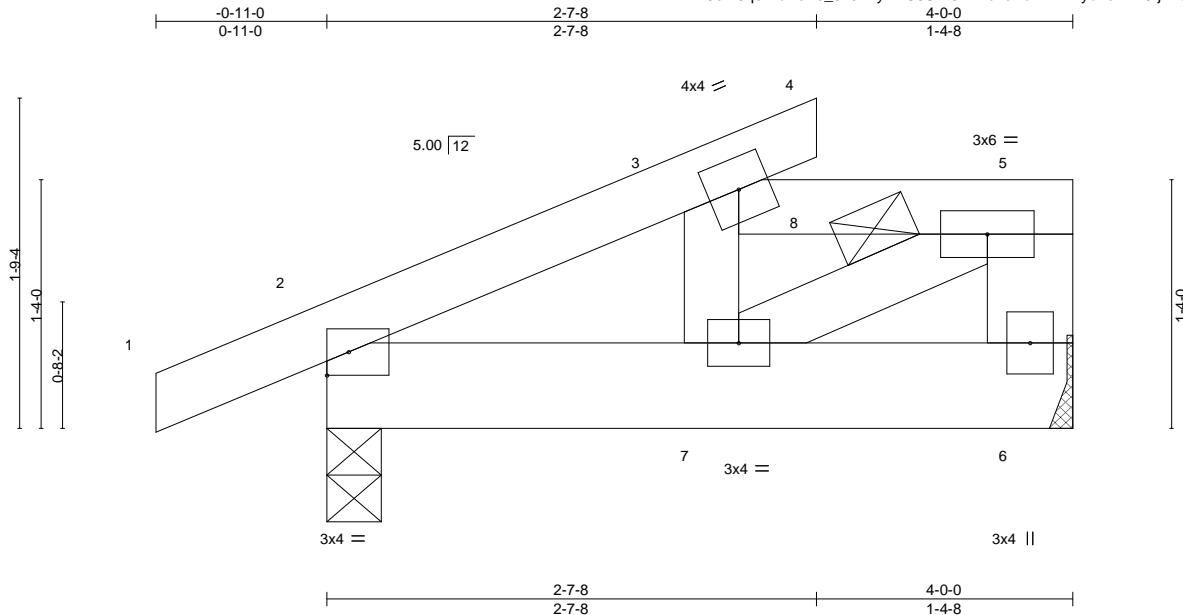


818 Soundside Road
Edenton, NC 27932

Job J0122-0372	Truss M2A	Truss Type HALF HIP	Qty 1	Ply 2	Lot 7 Mitchell Manor II 149971079
-------------------	--------------	------------------------	----------	----------	--------------------------------------

Comtech, Inc. Fayetteville, NC - 28314,

8.430 s Aug 16 2021 MiTek Industries, Inc. Mon Jan 31 08:12:47 2022 Page 1
ID:I4HRAT3eIT9qRIdAoEs_5z0Axy-WC6SIE9D1vdveYuE2LXBybnemNjRjMf0GhwhzpzugU



Scale = 1:11.6

LOADING (psf)	SPACING-	CSI.	DEFL.	PLATES	GRIP
TCLL 20.0	2-0-0	TC 0.26	in (loc) l/defl L/d	MT20	244/190
TCDL 10.0	Plate Grip DOL 1.15	BC 0.09	Vert(LL) -0.00 2 >999 360		
BCLL 0.0 *	Lumber DOL 1.15	WB 0.06	Vert(CT) -0.00 7 >999 240		
BCDL 10.0	Rep Stress Incr NO	Matrix-P	Horz(CT) 0.00 6 n/a n/a		
	Code IRC2015/TPI2014		Wind(LL) 0.00 7 >999 240	Weight: 45 lb	FT = 20%

LUMBER-

TOP CHORD 2x4 SP No.1
BOT CHORD 2x6 SP No.1
WEBS 2x4 SP No.2 *Except*
5-6: 2x6 SP No.1

BRACING-

TOP CHORD Structural wood sheathing directly applied or 4-0-0 oc purlins, except end verticals, and 2-0-0 oc purlins: 3-5.
BOT CHORD Rigid ceiling directly applied or 10-0-0 oc bracing.

REACTIONS.

(size) 6=Mechanical, 2=0-3-8
Max Horz 2=59(LC 8)
Max Uplift 2=40(LC 4)
Max Grav 6=708(LC 18), 2=439(LC 1)

FORCES.

(lb) - Max. Comp./Max. Ten. - All forces 250 (lb) or less except when shown.
TOP CHORD 2-3=-565/0, 3-5=-445/17, 5-6=-641/0
BOT CHORD 2-7=-20/471
WEBS 3-7=-308/37, 5-7=-19/511

NOTES-

- 2-ply truss to be connected together with 10d (0.131"x3") nails as follows:
Top chords connected as follows: 2x4 - 1 row at 0-9-0 oc, 2x6 - 2 rows staggered at 0-9-0 oc.
Bottom chords connected as follows: 2x6 - 2 rows staggered at 0-9-0 oc.
Webs connected as follows: 2x4 - 1 row at 0-9-0 oc.
- All loads are considered equally applied to all plies, except if noted as front (F) or back (B) face in the LOAD CASE(S) section. Ply to ply connections have been provided to distribute only loads noted as (F) or (B), unless otherwise indicated.
- Unbalanced roof live loads have been considered for this design.
- Wind: ASCE 7-10; Vult=150mph Vasd=119mph; TCCL=6.0psf; BCDL=6.0psf; h=15ft; Cat. II; Exp C; Enclosed; MWFRS (envelope); Lumber DOL=1.60 plate grip DOL=1.60
- Provide adequate drainage to prevent water ponding.
- This truss has been designed for a 10.0 psf bottom chord live load nonconcurrent with any other live loads.
- * This truss has been designed for a live load of 30.0psf on the bottom chord in all areas where a rectangle 3-6-0 tall by 2-0-0 wide will fit between the bottom chord and any other members.
- Refer to girder(s) for truss to truss connections.
- Provide mechanical connection (by others) of truss to bearing plate capable of withstanding 100 lb uplift at joint(s) 2.
- This truss is designed in accordance with the 2015 International Residential Code sections R502.11.1 and R802.10.2 and referenced standard ANSI/TPI 1.
- Load case(s) 1, 2, 3, 4, 5, 6, 7, 8, 9, 10, 11, 12, 13, 14, 15, 16, 17, 18, 19, 20, 21, 22 has/have been modified. Building designer must review loads to verify that they are correct for the intended use of this truss.
- Graphical purlin representation does not depict the size or the orientation of the purlin along the top and/or bottom chord.
- Hanger(s) or other connection device(s) shall be provided sufficient to support concentrated load(s) . The design/selection of such connection device(s) is the responsibility of others.

LOAD CASE(S) Standard



January 31, 2022

Continued on page 2

WARNING - Verify design parameters and READ NOTES ON THIS AND INCLUDED MITEK REFERENCE PAGE MII-7473 rev. 5/19/2020 BEFORE USE.
Design valid for use only with MiTek® connectors. This design is based only upon parameters shown, and is for an individual building component, not a truss system. Before use, the building designer must verify the applicability of design parameters and properly incorporate this design into the overall building design. Bracing indicated is to prevent buckling of individual truss web and/or chord members only. Additional temporary and permanent bracing is always required for stability and to prevent collapse with possible personal injury and property damage. For general guidance regarding the fabrication, storage, delivery, erection and bracing of trusses and truss systems, see **ANSI/TPI1 Quality Criteria, DSB-89 and BCSI Building Component Safety Information** available from Truss Plate Institute, 2670 Crain Highway, Suite 203 Waldorf, MD 20601



818 Soundside Road
Edenton, NC 27932

Job J01122-0372	Truss M2A	Truss Type HALF HIP	Qty 1	Ply 2	Lot 7 Mitchell Manor II Job Reference (optional)	149971079
--------------------	--------------	------------------------	----------	----------	---	-----------

Comtech, Inc, Fayetteville, NC - 28314,

8.430 s Aug 16 2021 MiTek Industries, Inc. Mon Jan 31 08:12:47 2022 Page 2
ID:I4HRAT3eIT9qRIdAoEs_5z0Axy-WC6SIE9D1vdveYuE2LXBybnemNjRjMf0GhwhzpzugU

LOAD CASE(S) Standard

- 1) Dead + Roof Live (balanced): Lumber Increase=1.15, Plate Increase=1.15
Uniform Loads (plf)
Vert: 1-3=-60, 3-4=-60, 3-8=-160, 5-8=-200, 2-6=-20
Concentrated Loads (lb)
Vert: 8=-500
- 2) Dead + 0.75 Roof Live (balanced): Lumber Increase=1.15, Plate Increase=1.15
Uniform Loads (plf)
Vert: 1-3=-50, 3-4=-50, 3-8=-220, 5-8=-250, 2-6=-20
Concentrated Loads (lb)
Vert: 8=-438
- 3) Dead + Uninhabitable Attic Without Storage: Lumber Increase=1.25, Plate Increase=1.25
Uniform Loads (plf)
Vert: 1-3=-20, 3-4=-20, 3-5=-160, 2-6=-40
Concentrated Loads (lb)
Vert: 8=-375
- 4) Dead + 0.6 MWFRS Wind (Pos. Internal) Left: Lumber Increase=1.60, Plate Increase=1.60
Uniform Loads (plf)
Vert: 1-2=40, 2-3=20, 3-4=11, 3-5=-109, 2-6=-12
Horz: 1-2=-52, 2-3=-32, 3-4=-23
Concentrated Loads (lb)
Vert: 8=121
- 5) Dead + 0.6 MWFRS Wind (Pos. Internal) Right: Lumber Increase=1.60, Plate Increase=1.60
Uniform Loads (plf)
Vert: 1-2=11, 2-3=20, 3-4=41, 3-5=-109, 2-6=-12
Horz: 1-2=-23, 2-3=-32, 3-4=-53
Concentrated Loads (lb)
Vert: 8=121
- 6) Dead + 0.6 MWFRS Wind (Neg. Internal) Left: Lumber Increase=1.60, Plate Increase=1.60
Uniform Loads (plf)
Vert: 1-2=3, 2-3=-6, 3-4=3, 3-5=-135, 2-6=-20
Horz: 1-2=-23, 2-3=-14, 3-4=-23
Concentrated Loads (lb)
Vert: 8=-306
- 7) Dead + 0.6 MWFRS Wind (Neg. Internal) Right: Lumber Increase=1.60, Plate Increase=1.60
Uniform Loads (plf)
Vert: 1-2=3, 2-3=-6, 3-4=3, 3-5=-135, 2-6=-20
Horz: 1-2=-23, 2-3=-14, 3-4=-23
Concentrated Loads (lb)
Vert: 8=-306
- 8) Dead + 0.6 MWFRS Wind (Pos. Internal) 1st Parallel: Lumber Increase=1.60, Plate Increase=1.60
Uniform Loads (plf)
Vert: 1-2=22, 2-3=31, 3-4=22, 3-5=-125, 2-6=-12
Horz: 1-2=-34, 2-3=-43, 3-4=-34
Concentrated Loads (lb)
Vert: 8=121
- 9) Dead + 0.6 MWFRS Wind (Pos. Internal) 2nd Parallel: Lumber Increase=1.60, Plate Increase=1.60
Uniform Loads (plf)
Vert: 1-2=6, 2-3=15, 3-4=6, 3-5=-125, 2-6=-12
Horz: 1-2=-18, 2-3=-27, 3-4=-18
Concentrated Loads (lb)
Vert: 8=21
- 10) Dead + 0.6 MWFRS Wind (Pos. Internal) 3rd Parallel: Lumber Increase=1.60, Plate Increase=1.60
Uniform Loads (plf)
Vert: 1-2=22, 2-3=31, 3-4=22, 3-5=-125, 2-6=-12
Horz: 1-2=-34, 2-3=-43, 3-4=-34
Concentrated Loads (lb)
Vert: 8=121
- 11) Dead + 0.6 MWFRS Wind (Pos. Internal) 4th Parallel: Lumber Increase=1.60, Plate Increase=1.60
Uniform Loads (plf)
Vert: 1-2=6, 2-3=15, 3-4=6, 3-5=-125, 2-6=-12
Horz: 1-2=-18, 2-3=-27, 3-4=-18
Concentrated Loads (lb)
Vert: 8=21
- 12) Dead + 0.6 MWFRS Wind (Neg. Internal) 1st Parallel: Lumber Increase=1.60, Plate Increase=1.60
Uniform Loads (plf)
Vert: 1-2=14, 2-3=5, 3-4=14, 3-5=-151, 2-6=-20
Horz: 1-2=-34, 2-3=-25, 3-4=-34
Concentrated Loads (lb)
Vert: 8=-306
- 13) Dead + 0.6 MWFRS Wind (Neg. Internal) 2nd Parallel: Lumber Increase=1.60, Plate Increase=1.60
Uniform Loads (plf)
Vert: 1-2=-2, 2-3=-11, 3-4=-2, 3-5=-151, 2-6=-20
Horz: 1-2=-18, 2-3=-9, 3-4=-18
Concentrated Loads (lb)
Vert: 8=-306

Continued on page 3

WARNING - Verify design parameters and READ NOTES ON THIS AND INCLUDED MITEK REFERENCE PAGE MII-7473 rev. 5/19/2020 BEFORE USE.
Design valid for use only with MiTek® connectors. This design is based only upon parameters shown, and is for an individual building component, not a truss system. Before use, the building designer must verify the applicability of design parameters and properly incorporate this design into the overall building design. Bracing indicated is to prevent buckling of individual truss web and/or chord members only. Additional temporary and permanent bracing is always required for stability and to prevent collapse with possible personal injury and property damage. For general guidance regarding the fabrication, storage, delivery, erection and bracing of trusses and truss systems, see **ANSI/TPI1 Quality Criteria, DSB-89 and BCSI Building Component Safety Information** available from Truss Plate Institute, 2670 Crain Highway, Suite 203 Waldorf, MD 20601



818 Soundside Road
Edenton, NC 27932

Job	Truss	Truss Type	Qty	Ply	Lot 7 Mitchell Manor II	I49971079
J0122-0372	M2A	HALF HIP	1	2	Job Reference (optional)	

Comtech, Inc, Fayetteville, NC - 28314,

8.430 s Aug 16 2021 MiTek Industries, Inc. Mon Jan 31 08:12:47 2022 Page 3
ID:I4HRAT3eIT9qoRidAoEs_5z0Axy-WC6SIE9D1vdveYuE2LXBybnemNrJrjMf0GwhzzpugU

LOAD CASE(S) Standard

- 14) Dead: Lumber Increase=0.90, Plate Increase=0.90 Plt. metal=0.90
Uniform Loads (plf)
Vert: 1-3=-20, 3-4=-20, 3-5=-240, 2-6=-20
Concentrated Loads (lb)
Vert: 8=-250
- 15) Dead + 0.75 Roof Live (bal.) + 0.75 Attic Floor + 0.75(0.6 MWFRS Wind (Neg. Int) Left): Lumber Increase=1.60, Plate Increase=1.60
Uniform Loads (plf)
Vert: 1-2=-33, 2-3=-40, 3-4=-33, 3-8=-201, 5-8=-231, 2-6=-20
Horz: 1-2=-17, 2-3=-10, 3-4=-17
Concentrated Loads (lb)
Vert: 8=-480
- 16) Dead + 0.75 Roof Live (bal.) + 0.75 Attic Floor + 0.75(0.6 MWFRS Wind (Neg. Int) Right): Lumber Increase=1.60, Plate Increase=1.60
Uniform Loads (plf)
Vert: 1-2=-33, 2-3=-39, 3-4=-33, 3-8=-201, 5-8=-231, 2-6=-20
Horz: 1-2=-17, 2-3=-11, 3-4=-17
Concentrated Loads (lb)
Vert: 8=-480
- 17) Dead + 0.75 Roof Live (bal.) + 0.75 Attic Floor + 0.75(0.6 MWFRS Wind (Neg. Int) 1st Parallel): Lumber Increase=1.60, Plate Increase=1.60
Uniform Loads (plf)
Vert: 1-2=-24, 2-3=-31, 3-4=-24, 3-8=-213, 5-8=-243, 2-6=-20
Horz: 1-2=-26, 2-3=-19, 3-4=-26
Concentrated Loads (lb)
Vert: 8=-480
- 18) Dead + 0.75 Roof Live (bal.) + 0.75 Attic Floor + 0.75(0.6 MWFRS Wind (Neg. Int) 2nd Parallel): Lumber Increase=1.60, Plate Increase=1.60
Uniform Loads (plf)
Vert: 1-2=-36, 2-3=-43, 3-4=-36, 3-8=-213, 5-8=-243, 2-6=-20
Horz: 1-2=-14, 2-3=-7, 3-4=-14
Concentrated Loads (lb)
Vert: 8=-480
- 19) 1st Dead + Roof Live (unbalanced): Lumber Increase=1.15, Plate Increase=1.15
Uniform Loads (plf)
Vert: 1-3=-60, 3-4=-60, 3-8=-160, 5-8=-200, 2-6=-20
Concentrated Loads (lb)
Vert: 8=-500
- 20) 2nd Dead + Roof Live (unbalanced): Lumber Increase=1.15, Plate Increase=1.15
Uniform Loads (plf)
Vert: 1-3=-20, 3-4=-20, 3-8=-160, 5-8=-200, 2-6=-20
Concentrated Loads (lb)
Vert: 8=-500
- 21) 3rd Dead + 0.75 Roof Live (unbalanced): Lumber Increase=1.15, Plate Increase=1.15
Uniform Loads (plf)
Vert: 1-3=-50, 3-4=-50, 3-8=-220, 5-8=-250, 2-6=-20
Concentrated Loads (lb)
Vert: 8=-438
- 22) 4th Dead + 0.75 Roof Live (unbalanced): Lumber Increase=1.15, Plate Increase=1.15
Uniform Loads (plf)
Vert: 1-3=-20, 3-4=-20, 3-8=-220, 5-8=-250, 2-6=-20
Concentrated Loads (lb)
Vert: 8=-438

WARNING - Verify design parameters and READ NOTES ON THIS AND INCLUDED MITEK REFERENCE PAGE MII-7473 rev. 5/19/2020 BEFORE USE.

Design valid for use only with MiTek® connectors. This design is based only upon parameters shown, and is for an individual building component, not a truss system. Before use, the building designer must verify the applicability of design parameters and properly incorporate this design into the overall building design. Bracing indicated is to prevent buckling of individual truss web and/or chord members only. Additional temporary and permanent bracing is always required for stability and to prevent collapse with possible personal injury and property damage. For general guidance regarding the fabrication, storage, delivery, erection and bracing of trusses and truss systems, see

Safety Information available from Truss Plate Institute, 2670 Crain Highway, Suite 203 Waldorf, MD 20601

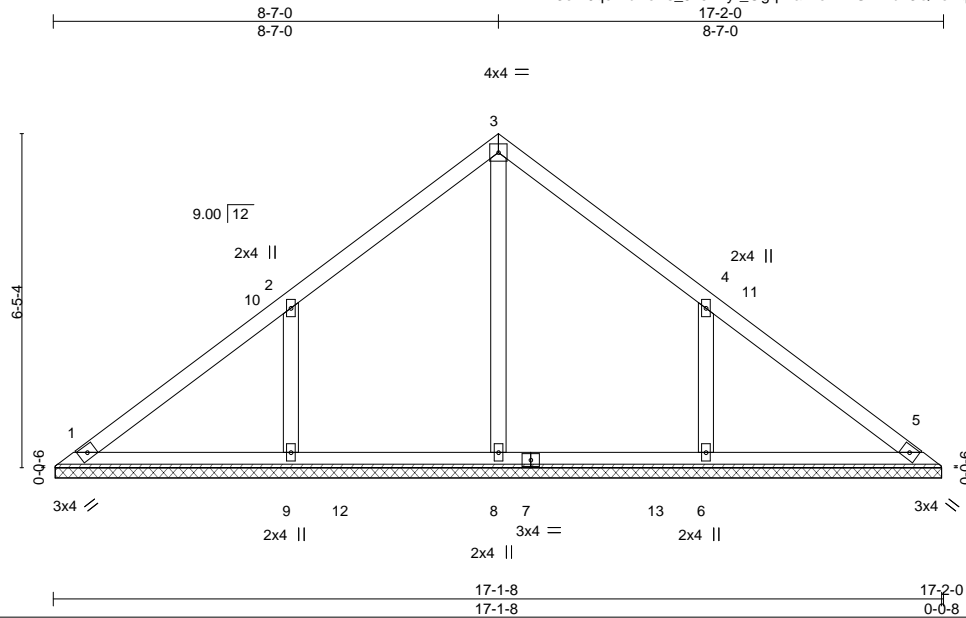


818 Soundside Road
Edenton, NC 27932

Job J0122-0372	Truss V1	Truss Type VALLEY	Qty 1	Ply 1	Lot 7 Mitchell Manor II Job Reference (optional)	I49971080
-------------------	-------------	----------------------	----------	----------	---	-----------

Comtech, Inc. Fayetteville, NC - 28314,

8.430 s Aug 16 2021 MiTek Industries, Inc. Mon Jan 31 08:12:48 2022 Page 1
ID:I4HRAT3elT9qoRIdAoEs_5z0Axy_-OgqWaAroDimGITRb23QVoKqRn9Ea92pFwQTDQzpuGt



Scale = 1:41.8

Plate Offsets (X,Y)-- [4:0-0-0,0-0-0]

LOADING (psf)	SPACING-	CSI.	DEFL.	in (loc)	l/defl	L/d	PLATES	GRIP
TCLL 20.0	2-0-0	TC 0.20	Vert(LL)	n/a	-	n/a	MT20	244/190
TCDL 10.0	Plate Grip DOL 1.15	BC 0.17	Vert(CT)	n/a	-	n/a		
BCLL 0.0 *	Lumber DOL 1.15	WB 0.10	Horz(CT)	0.00	5	n/a		
BCDL 10.0	Rep Stress Incr YES	Matrix-S					Weight: 73 lb	FT = 20%
	Code IRC2015/TPI2014							

LUMBER-

TOP CHORD 2x4 SP No.1
BOT CHORD 2x4 SP No.1
OTHERS 2x4 SP No.2

BRACING-

TOP CHORD Structural wood sheathing directly applied or 6-0-0 oc purlins.
BOT CHORD Rigid ceiling directly applied or 10-0-0 oc bracing.

REACTIONS.

All bearings 17-1-0.
(lb) - Max Horz 1=195(LC 9)
Max Uplift All uplift 100 lb or less at joint(s) 1 except 9=-218(LC 12), 6=-218(LC 13)
Max Grav All reactions 250 lb or less at joint(s) 1, 5 except 8=418(LC 19), 9=496(LC 19), 6=496(LC 20)

FORCES.

(lb) - Max. Comp./Max. Ten. - All forces 250 (lb) or less except when shown.

WEBS 2-9=-455/344, 4-6=-455/345

NOTES-

- Unbalanced roof live loads have been considered for this design.
- Wind: ASCE 7-10; Vult=150mph Vasd=119mph; TCDL=6.0psf; BCDL=6.0psf; h=15ft; Cat. II; Exp C; Enclosed; MWFRS (envelope) and C-C Exterior(2) 0-5-5 to 4-7-0, Interior(1) 4-7-0 to 8-7-0, Exterior(2) 8-7-0 to 12-11-13, Interior(1) 12-11-13 to 16-8-11 zone;C-C for members and forces & MWFRS for reactions shown; Lumber DOL=1.60 plate grip DOL=1.60
- Gable requires continuous bottom chord bearing.
- This truss has been designed for a 10.0 psf bottom chord live load nonconcurrent with any other live loads.
- * This truss has been designed for a live load of 30.0psf on the bottom chord in all areas where a rectangle 3-6-0 tall by 2-0-0 wide will fit between the bottom chord and any other members, with BCDL = 10.0psf.
- Provide mechanical connection (by others) of truss to bearing plate capable of withstanding 100 lb uplift at joint(s) 1 except (jt=lb) 9=218, 6=218.
- This truss is designed in accordance with the 2015 International Residential Code sections R502.11.1 and R802.10.2 and referenced standard ANSI/TPI 1.



January 31, 2022

WARNING - Verify design parameters and READ NOTES ON THIS AND INCLUDED MITEK REFERENCE PAGE MII-7473 rev. 5/19/2020 BEFORE USE.

Design valid for use only with MiTek® connectors. This design is based only upon parameters shown, and is for an individual building component, not a truss system. Before use, the building designer must verify the applicability of design parameters and properly incorporate this design into the overall building design. Bracing indicated is to prevent buckling of individual truss web and/or chord members only. Additional temporary and permanent bracing is always required for stability and to prevent collapse with possible personal injury and property damage. For general guidance regarding the fabrication, storage, delivery, erection and bracing of trusses and truss systems, see **ANSI/TPI1 Quality Criteria, DSB-89 and BCSI Building Component Safety Information** available from Truss Plate Institute, 2670 Crain Highway, Suite 203 Waldorf, MD 20601

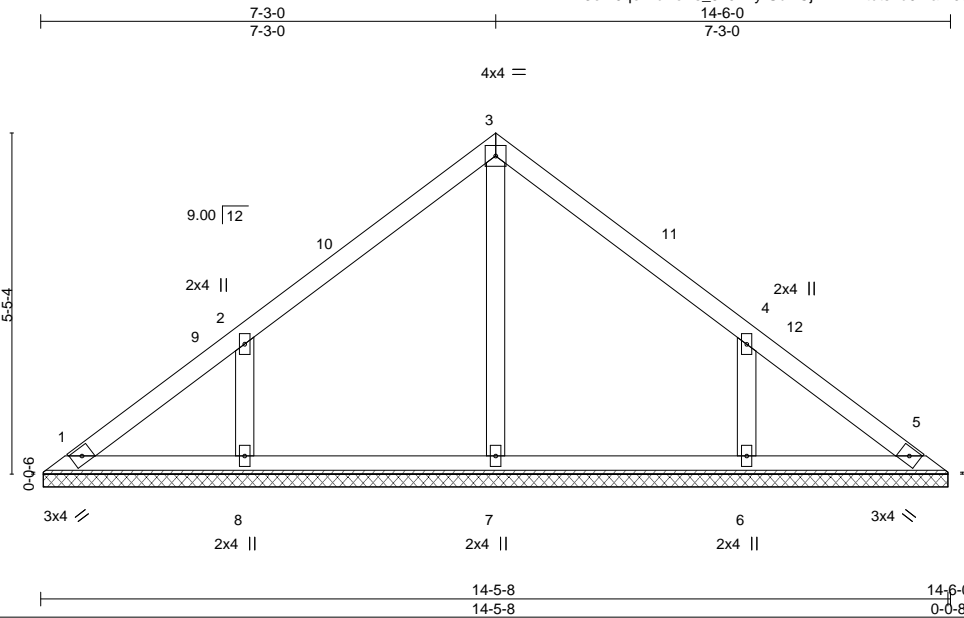


818 Soundside Road
Edenton, NC 27932

Job J0122-0372	Truss V2	Truss Type VALLEY	Qty 1	Ply 1	Lot 7 Mitchell Manor II Job Reference (optional)	I49971081
-------------------	-------------	----------------------	----------	----------	---	-----------

Comtech, Inc. Fayetteville, NC - 28314,

8.430 s Aug 16 2021 MiTek Industries, Inc. Mon Jan 31 08:12:49 2022 Page 1
ID:I4HRAT3eIT9qoRldAoEs_5z0Axy-SbDCjvBTZWtdts2d9maf10t0_AWoJcfyUaA1mszpgUS



Scale = 1:34.6

Plate Offsets (X,Y)-- [4:0-0-0,0-0-0]

LOADING (psf)	SPACING-	CSI.	DEFL.	PLATES	GRIP
TCLL 20.0	2-0-0	TC 0.15	in (loc) l/defl L/d	MT20	244/190
TCDL 10.0	Plate Grip DOL 1.15	BC 0.08	Vert(LL) n/a - n/a 999		
BCLL 0.0 *	Lumber DOL 1.15	WB 0.08	Vert(CT) n/a - n/a 999		
BCDL 10.0	Rep Stress Incr YES	Matrix-S	Horz(CT) 0.00 5 n/a n/a		
	Code IRC2015/TPI2014			Weight: 60 lb	FT = 20%

LUMBER-

TOP CHORD 2x4 SP No.1
BOT CHORD 2x4 SP No.1
OTHERS 2x4 SP No.2

BRACING-

TOP CHORD Structural wood sheathing directly applied or 6'-0-0 oc purlins.
BOT CHORD Rigid ceiling directly applied or 10'-0-0 oc bracing.

REACTIONS.

All bearings 14-5-0.
(lb) - Max Horz 1=163(LC 9)
Max Uplift All uplift 100 lb or less at joint(s) 1 except 8=184(LC 12), 6=184(LC 13)
Max Grav All reactions 250 lb or less at joint(s) 1, 5, 7 except 8=375(LC 19), 6=375(LC 20)

FORCES.

(lb) - Max. Comp./Max. Ten. - All forces 250 (lb) or less except when shown.
WEBS 2-8=388/310, 4-6=388/310

NOTES-

- Unbalanced roof live loads have been considered for this design.
- Wind: ASCE 7-10; Vult=150mph Vasd=119mph; TCDL=6.0psf; BCDL=6.0psf; h=15ft; Cat. II; Exp C; Enclosed; MWFRS (envelope) and C-C Exterior(2) 0-5-5 to 4-10-1, Interior(1) 4-10-1 to 7-3-0, Exterior(2) 7-3-0 to 11-7-13, Interior(1) 11-7-13 to 14-0-11 zone; C-C for members and forces & MWFRS for reactions shown; Lumber DOL=1.60 plate grip DOL=1.60
- Gable requires continuous bottom chord bearing.
- This truss has been designed for a 10.0 psf bottom chord live load nonconcurrent with any other live loads.
- * This truss has been designed for a live load of 30.0psf on the bottom chord in all areas where a rectangle 3-6-0 tall by 2-0-0 wide will fit between the bottom chord and any other members.
- Provide mechanical connection (by others) of truss to bearing plate capable of withstanding 100 lb uplift at joint(s) 1 except (jt=lb) 8=184, 6=184.
- This truss is designed in accordance with the 2015 International Residential Code sections R502.11.1 and R802.10.2 and referenced standard ANSI/TPI 1.



January 31, 2022

WARNING - Verify design parameters and READ NOTES ON THIS AND INCLUDED MITEK REFERENCE PAGE MII-7473 rev. 5/19/2020 BEFORE USE.

Design valid for use only with MiTek® connectors. This design is based only upon parameters shown, and is for an individual building component, not a truss system. Before use, the building designer must verify the applicability of design parameters and properly incorporate this design into the overall building design. Bracing indicated is to prevent buckling of individual truss web and/or chord members only. Additional temporary and permanent bracing is always required for stability and to prevent collapse with possible personal injury and property damage. For general guidance regarding the fabrication, storage, delivery, erection and bracing of trusses and truss systems, see **ANSI/TPI1 Quality Criteria, DSB-89 and BCSI Building Component Safety Information** available from Truss Plate Institute, 2670 Crain Highway, Suite 203 Waldorf, MD 20601



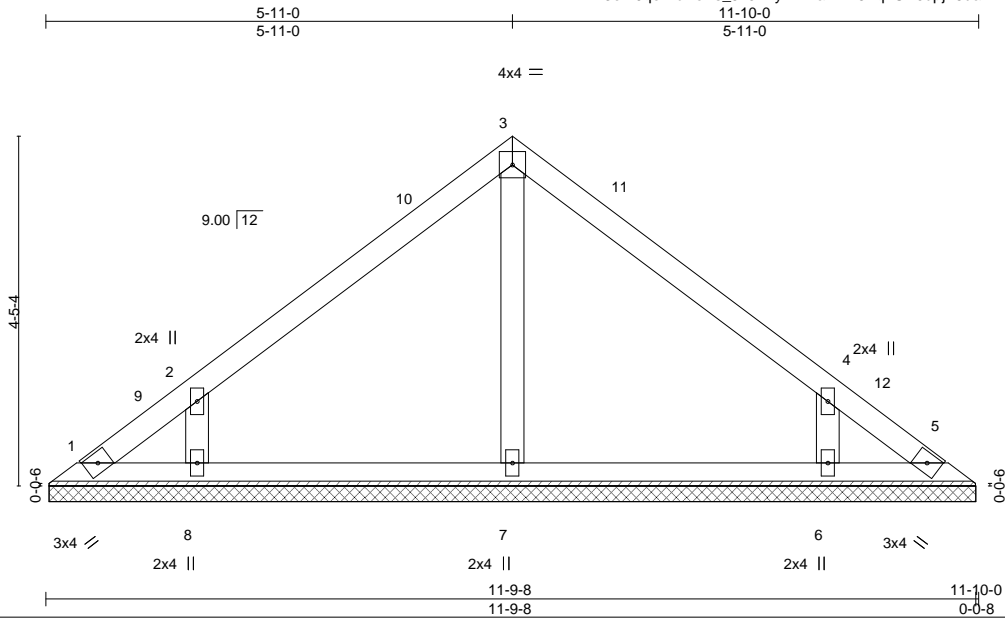
818 Soundside Road
Edenton, NC 27932

Job J0122-0372	Truss V3	Truss Type VALLEY	Qty 1	Ply 1	Lot 7 Mitchell Manor II Job Reference (optional)	I49971082
-------------------	-------------	----------------------	----------	----------	---	-----------

Comtech, Inc, Fayetteville, NC - 28314,

8.430 s Aug 16 2021 MiTek Industries, Inc. Mon Jan 31 08:12:50 2022 Page 1

ID:I4HRAT3elT9qoRIdAoEs_5z0Axy-wnnawFB6Kq?UV0dpjT5uaDPBoasx24D6iEvallzpgUR



Scale = 1:27.5

Plate Offsets (X,Y)-- [4:0-0-0,0-0-0]

LOADING (psf)	SPACING-	CSI.	DEFL.	in	(loc)	l/defl	L/d	PLATES	GRIP
TCLL 20.0	2-0-0	TC 0.14	Vert(LL)	n/a	-	n/a	999	MT20	244/190
TCDL 10.0	Plate Grip DOL 1.15	BC 0.09	Vert(CT)	n/a	-	n/a	999		
BCLL 0.0 *	Lumber DOL 1.15	WB 0.06	Horz(CT)	0.00	5	n/a	n/a		
BCDL 10.0	Rep Stress Incr YES	Matrix-S						Weight: 46 lb	FT = 20%
	Code IRC2015/TPI2014								

LUMBER-	BRACING-
TOP CHORD 2x4 SP No.1	TOP CHORD Structural wood sheathing directly applied or 6-0-0 oc purlins.
BOT CHORD 2x4 SP No.1	BOT CHORD Rigid ceiling directly applied or 10-0-0 oc bracing.
OTHERS 2x4 SP No.2	

REACTIONS. All bearings 11-9-0.
 (lb) - Max Horz 1=131(LC 8)
 Max Uplift All uplift 100 lb or less at joint(s) 1, 5 except 8=172(LC 12), 6=171(LC 13)
 Max Grav All reactions 250 lb or less at joint(s) 1, 5 except 7=253(LC 1), 8=343(LC 19), 6=342(LC 20)


FORCES. (lb) - Max. Comp./Max. Ten. - All forces 250 (lb) or less except when shown.
WEBS 2-8=-372/316, 4-6=-372/316

- NOTES-**
- Unbalanced roof live loads have been considered for this design.
 - Wind: ASCE 7-10; Vult=150mph Vasd=119mph; TCDL=6.0psf; BCDL=6.0psf; h=15ft; Cat. II; Exp C; Enclosed; MWFRS (envelope) and C-C Exterior(2) 0-5-5 to 4-10-1, Interior(1) 4-10-1 to 5-11-0, Exterior(2) 5-11-0 to 10-3-13, Interior(1) 10-3-13 to 11-4-11 zone; C-C for members and forces & MWFRS for reactions shown; Lumber DOL=1.60 plate grip DOL=1.60
 - Gable requires continuous bottom chord bearing.
 - This truss has been designed for a 10.0 psf bottom chord live load nonconcurrent with any other live loads.
 - * This truss has been designed for a live load of 30.0psf on the bottom chord in all areas where a rectangle 3-6-0 tall by 2-0-0 wide will fit between the bottom chord and any other members.
 - Provide mechanical connection (by others) of truss to bearing plate capable of withstanding 100 lb uplift at joint(s) 1, 5 except (jt=lb) 8=172, 6=171.
 - This truss is designed in accordance with the 2015 International Residential Code sections R502.11.1 and R802.10.2 and referenced standard ANSI/TPI 1.



January 31, 2022

WARNING - Verify design parameters and READ NOTES ON THIS AND INCLUDED MITEK REFERENCE PAGE MII-7473 rev. 5/19/2020 BEFORE USE.
 Design valid for use only with MiTek® connectors. This design is based only upon parameters shown, and is for an individual building component, not a truss system. Before use, the building designer must verify the applicability of design parameters and properly incorporate this design into the overall building design. Bracing indicated is to prevent buckling of individual truss web and/or chord members only. Additional temporary and permanent bracing is always required for stability and to prevent collapse with possible personal injury and property damage. For general guidance regarding the fabrication, storage, delivery, erection and bracing of trusses and truss systems, see **ANSI/TPI1 Quality Criteria, DSB-89 and BCSI Building Component Safety Information** available from Truss Plate Institute, 2670 Crain Highway, Suite 203 Waldorf, MD 20601

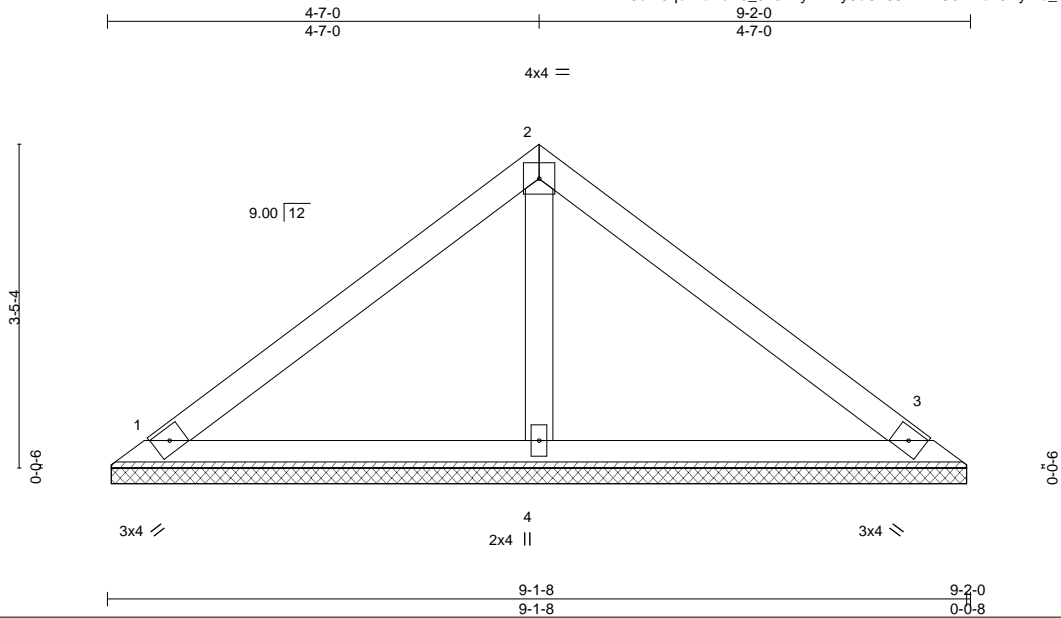


818 Soundside Road
Edenton, NC 27932

Job J0122-0372	Truss V4	Truss Type VALLEY	Qty 1	Ply 1	Lot 7 Mitchell Manor II Job Reference (optional)	I49971083
-------------------	-------------	----------------------	----------	----------	---	-----------

Comtech, Inc., Fayetteville, NC - 28314,

8.430 s Aug 16 2021 MiTek Industries, Inc. Mon Jan 31 08:12:51 2022 Page 1
ID:I4HRAT3elT9qoRldAoEs_5z0Axy-PzLy8bCk587L7AC0HBc76RyMo_CbnXIFuf8qlzpuqQ



Scale = 1:23.0

LOADING (psf)	SPACING-	CSI.	DEFL.	PLATES	GRIP
TCLL 20.0	2-0-0	TC 0.19	in (loc) l/defl L/d	MT20	244/190
TCDL 10.0	Plate Grip DOL 1.15	BC 0.13	Vert(LL) n/a - n/a 999		
BCLL 0.0 *	Lumber DOL 1.15	WB 0.04	Vert(CT) n/a - n/a 999		
BCDL 10.0	Rep Stress Incr YES	Matrix-S	Horz(CT) 0.00 3 n/a n/a		
	Code IRC2015/TPI2014			Weight: 33 lb	FT = 20%

LUMBER-

TOP CHORD 2x4 SP No.1
BOT CHORD 2x4 SP No.1
OTHERS 2x4 SP No.2

BRACING-

TOP CHORD Structural wood sheathing directly applied or 6-0-0 oc purlins.
BOT CHORD Rigid ceiling directly applied or 10-0-0 oc bracing.

REACTIONS.

(size) 1=9-1-0, 3=9-1-0, 4=9-1-0
Max Horz 1=99(LC 11)
Max Uplift 1=42(LC 12), 3=52(LC 13), 4=-24(LC 12)
Max Grav 1=171(LC 1), 3=172(LC 20), 4=321(LC 1)

FORCES. (lb) - Max. Comp./Max. Ten. - All forces 250 (lb) or less except when shown.

NOTES-

- Unbalanced roof live loads have been considered for this design.
- Wind: ASCE 7-10; Vult=150mph Vasd=119mph; TCCL=6.0psf; BCCL=6.0psf; h=15ft; Cat. II; Exp C; Enclosed; MWFRS (envelope) and C-C Exterior(2) zone; C-C for members and forces & MWFRS for reactions shown; Lumber DOL=1.60 plate grip DOL=1.60
- Gable requires continuous bottom chord bearing.
- This truss has been designed for a 10.0 psf bottom chord live load nonconcurrent with any other live loads.
- * This truss has been designed for a live load of 30.0psf on the bottom chord in all areas where a rectangle 3-6-0 tall by 2-0-0 wide will fit between the bottom chord and any other members.
- Provide mechanical connection (by others) of truss to bearing plate capable of withstanding 100 lb uplift at joint(s) 1, 3, 4.
- This truss is designed in accordance with the 2015 International Residential Code sections R502.11.1 and R802.10.2 and referenced standard ANSI/TPI 1.



January 31, 2022

WARNING - Verify design parameters and READ NOTES ON THIS AND INCLUDED MITEK REFERENCE PAGE MII-7473 rev. 5/19/2020 BEFORE USE.

Design valid for use only with MiTek® connectors. This design is based only upon parameters shown, and is for an individual building component, not a truss system. Before use, the building designer must verify the applicability of design parameters and properly incorporate this design into the overall building design. Bracing indicated is to prevent buckling of individual truss web and/or chord members only. Additional temporary and permanent bracing is always required for stability and to prevent collapse with possible personal injury and property damage. For general guidance regarding the fabrication, storage, delivery, erection and bracing of trusses and truss systems, see **ANSI/TPI1 Quality Criteria, DSB-89 and BCSI Building Component Safety Information** available from Truss Plate Institute, 2670 Crain Highway, Suite 203 Waldorf, MD 20601



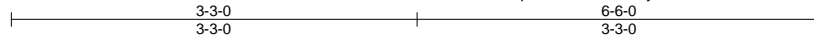
818 Soundside Road
Edenton, NC 27932

Job J0122-0372	Truss V5	Truss Type VALLEY	Qty 1	Ply 1	Lot 7 Mitchell Manor II Job Reference (optional)	I49971084
-------------------	-------------	----------------------	----------	----------	---	-----------

Comtech, Inc., Fayetteville, NC - 28314,

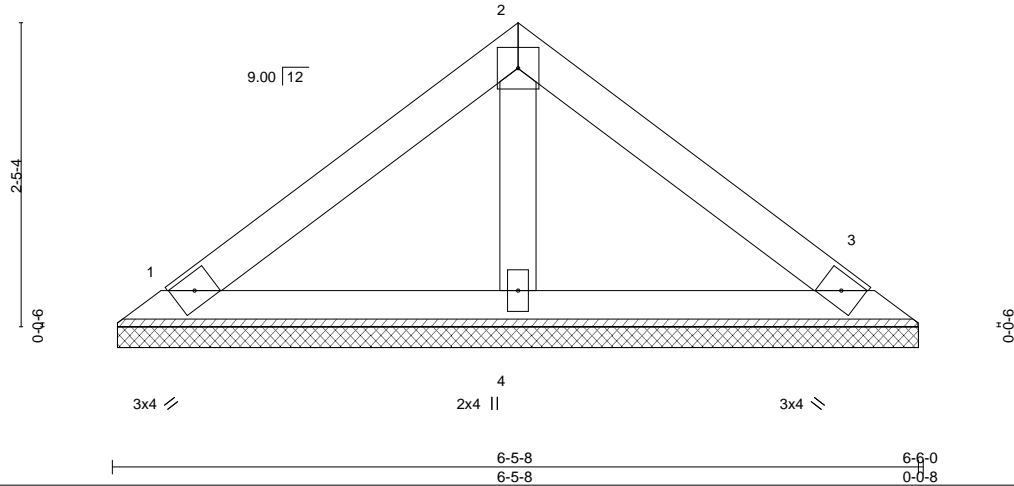
8.430 s Aug 16 2021 MiTek Industries, Inc. Mon Jan 31 08:12:52 2022 Page 1

ID:I4HRAT3elT9qoRldAoEs_5z0Axy-t9vKLxDMrRFCKnCcqu7MfeUXTOZuW_JPAYOhNBzpuG



4x4 =

Scale = 1:17.4



LOADING (psf)	SPACING-	CSI.	DEFL.	PLATES	GRIP
TCLL 20.0	2-0-0	TC 0.13	in (loc) l/defl L/d	MT20	244/190
TCDL 10.0	Plate Grip DOL 1.15	BC 0.06	Vert(LL) n/a - n/a 999		
BCLL 0.0 *	Lumber DOL 1.15	WB 0.02	Vert(CT) n/a - n/a 999		
BCDL 10.0	Rep Stress Incr YES	Matrix-P	Horz(CT) 0.00 3 n/a n/a		
	Code IRC2015/TPI2014			Weight: 23 lb	FT = 20%

LUMBER-

TOP CHORD 2x4 SP No.1
BOT CHORD 2x4 SP No.1
OTHERS 2x4 SP No.2

BRACING-

TOP CHORD Structural wood sheathing directly applied or 6-0-0 oc purlins.
BOT CHORD Rigid ceiling directly applied or 10-0-0 oc bracing.

REACTIONS.

(size) 1=6-5-0, 3=6-5-0, 4=6-5-0
Max Horz 1=67(LC 8)
Max Uplift 1=37(LC 12), 3=44(LC 13)
Max Grav 1=126(LC 1), 3=126(LC 1), 4=197(LC 1)

FORCES. (lb) - Max. Comp./Max. Ten. - All forces 250 (lb) or less except when shown.

NOTES-

- 1) Unbalanced roof live loads have been considered for this design.
- 2) Wind: ASCE 7-10; Vult=150mph Vasd=119mph; TCCL=6.0psf; BCCL=6.0psf; h=15ft; Cat. II; Exp C; Enclosed; MWFRS (envelope) and C-C Exterior(2) zone; C-C for members and forces & MWFRS for reactions shown; Lumber DOL=1.60 plate grip DOL=1.60
- 3) Gable requires continuous bottom chord bearing.
- 4) This truss has been designed for a 10.0 psf bottom chord live load nonconcurrent with any other live loads.
- 5) * This truss has been designed for a live load of 30.0psf on the bottom chord in all areas where a rectangle 3-6-0 tall by 2-0-0 wide will fit between the bottom chord and any other members.
- 6) Provide mechanical connection (by others) of truss to bearing plate capable of withstanding 100 lb uplift at joint(s) 1, 3.
- 7) This truss is designed in accordance with the 2015 International Residential Code sections R502.11.1 and R802.10.2 and referenced standard ANSI/TPI 1.



January 31, 2022

WARNING - Verify design parameters and READ NOTES ON THIS AND INCLUDED MITEK REFERENCE PAGE MII-7473 rev. 5/19/2020 BEFORE USE.

Design valid for use only with MiTek® connectors. This design is based only upon parameters shown, and is for an individual building component, not a truss system. Before use, the building designer must verify the applicability of design parameters and properly incorporate this design into the overall building design. Bracing indicated is to prevent buckling of individual truss web and/or chord members only. Additional temporary and permanent bracing is always required for stability and to prevent collapse with possible personal injury and property damage. For general guidance regarding the fabrication, storage, delivery, erection and bracing of trusses and truss systems, see **ANSI/TPI1 Quality Criteria, DSB-89 and BCSI Building Component Safety Information** available from Truss Plate Institute, 2670 Crain Highway, Suite 203 Waldorf, MD 20601

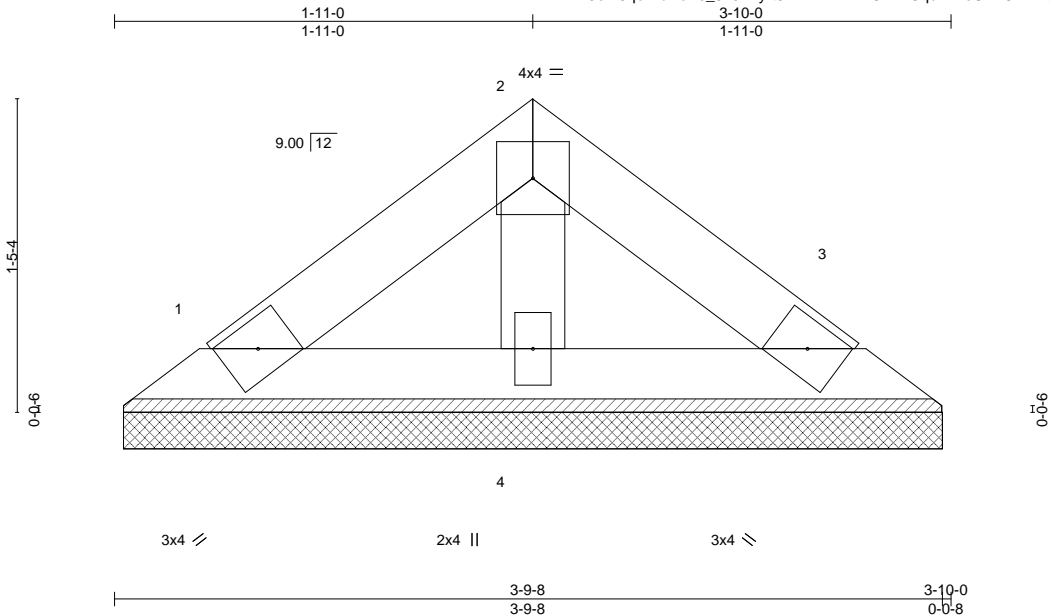


818 Soundside Road
Edenton, NC 27932

Job J0122-0372	Truss V6	Truss Type VALLEY	Qty 1	Ply 1	Lot 7 Mitchell Manor II Job Reference (optional)	I49971085
-------------------	-------------	----------------------	----------	----------	---	-----------

Comtech, Inc., Fayetteville, NC - 28314,

8.430 s Aug 16 2021 MiTek Industries, Inc. Mon Jan 31 08:12:52 2022 Page 1
ID:I4HRAT3eIT9qoRldAoEs_5z0Axy-t9vKLxDMrRFckKnCqu7MfeUZ?OZYW_RPAYOhNBzpgUP



Scale = 1:9.9

LOADING (psf)	SPACING-	CSI.	DEFL.	PLATES	GRIP
TCLL 20.0	2-0-0	TC 0.03	in (loc) l/defl L/d	MT20	244/190
TCDL 10.0	Plate Grip DOL 1.15	BC 0.02	Vert(LL) n/a - n/a 999		
BCLL 0.0 *	Lumber DOL 1.15	WB 0.01	Vert(CT) n/a - n/a 999		
BCDL 10.0	Rep Stress Incr YES	Matrix-P	Horz(CT) 0.00 3 n/a n/a		
	Code IRC2015/TPI2014			Weight: 12 lb	FT = 20%

LUMBER-

TOP CHORD 2x4 SP No.1
BOT CHORD 2x4 SP No.1
OTHERS 2x4 SP No.2

BRACING-

TOP CHORD Structural wood sheathing directly applied or 3-10-0 oc purlins.
BOT CHORD Rigid ceiling directly applied or 10-0-0 oc bracing.

REACTIONS.

(size) 1=3-9-0, 3=3-9-0, 4=3-9-0
Max Horz 1=35(LC 8)
Max Uplift 1=20(LC 12), 3=23(LC 13)
Max Grav 1=66(LC 1), 3=66(LC 1), 4=104(LC 1)

FORCES. (lb) - Max. Comp./Max. Ten. - All forces 250 (lb) or less except when shown.

NOTES-

- Unbalanced roof live loads have been considered for this design.
- Wind: ASCE 7-10; Vult=150mph Vasd=119mph; TCCL=6.0psf; BCCL=6.0psf; h=15ft; Cat. II; Exp C; Enclosed; MWFRS (envelope) and C-C Exterior(2) zone; C-C for members and forces & MWFRS for reactions shown; Lumber DOL=1.60 plate grip DOL=1.60
- Gable requires continuous bottom chord bearing.
- This truss has been designed for a 10.0 psf bottom chord live load nonconcurrent with any other live loads.
- * This truss has been designed for a live load of 30.0psf on the bottom chord in all areas where a rectangle 3-6-0 tall by 2-0-0 wide will fit between the bottom chord and any other members.
- Provide mechanical connection (by others) of truss to bearing plate capable of withstanding 100 lb uplift at joint(s) 1, 3.
- This truss is designed in accordance with the 2015 International Residential Code sections R502.11.1 and R802.10.2 and referenced standard ANSI/TPI 1.



January 31, 2022

WARNING - Verify design parameters and READ NOTES ON THIS AND INCLUDED MITEK REFERENCE PAGE MII-7473 rev. 5/19/2020 BEFORE USE.

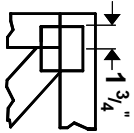
Design valid for use only with MiTek® connectors. This design is based only upon parameters shown, and is for an individual building component, not a truss system. Before use, the building designer must verify the applicability of design parameters and properly incorporate this design into the overall building design. Bracing indicated is to prevent buckling of individual truss web and/or chord members only. Additional temporary and permanent bracing is always required for stability and to prevent collapse with possible personal injury and property damage. For general guidance regarding the fabrication, storage, delivery, erection and bracing of trusses and truss systems, see **ANSI/TPI1 Quality Criteria, DSB-89 and BCSI Building Component Safety Information** available from Truss Plate Institute, 2670 Crain Highway, Suite 203 Waldorf, MD 20601



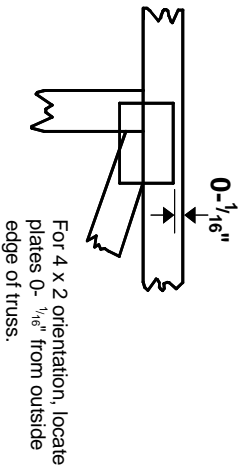
818 Soundside Road
Edenton, NC 27932

Symbols

PLATE LOCATION AND ORIENTATION



Center plate on joint unless x, y offsets are indicated. Dimensions are in ft-in-sixteenths. Apply plates to both sides of truss and fully embed teeth.



— This symbol indicates the required direction of slots in connector plates.

* Plate location details available in **MiTek 20/20** software or upon request.

PLATE SIZE

4 X 4

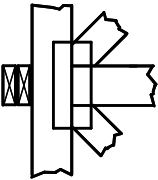
The first dimension is the plate width measured perpendicular to slots. Second dimension is the length parallel to slots.

LATERAL BRACING LOCATION



Indicated by symbol shown and/or by text in the bracing section of the output. Use T or I bracing if indicated.

BEARING



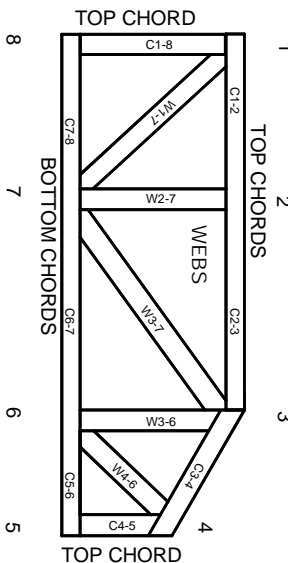
Indicates location where bearings (supports) occur. Icons vary but reaction section indicates joint number where bearings occur. Min size shown is for crushing only.

Industry Standards:

ANSI/TP1: National Design Specification for Metal Plate Connected Wood Truss Construction.
DSB-89: Design Standard for Bracing.
BCSI: Building Component Safety Information, Guide to Good Practice for Handling, Installing & Bracing of Metal Plate Connected Wood Trusses.

Numbering System

6-4-8 dimensions shown in ft-in-sixteenths (Drawings not to scale)



JOINTS ARE GENERALLY NUMBERED/LETTERED CLOCKWISE AROUND THE TRUSS STARTING AT THE JOINT FARTHEST TO THE LEFT.

CHORDS AND WEBS ARE IDENTIFIED BY END JOINT NUMBERS/LETTERS.

PRODUCT CODE APPROVALS

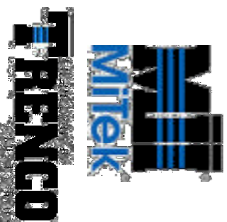
ICC-ES Reports:

ESR-1311, ESR-1352, ESR 1988
ER-3907, ESR-2362, ESR-1397, ESR-3282

Trusses are designed for wind loads in the plane of the truss unless otherwise shown.

Lumber design values are in accordance with ANSI/TP1 section 6.3 These truss designs rely on lumber values established by others.

© 2012 MiTek® All Rights Reserved



MiTek Engineering Reference Sheet: Mill-7473 rev. 5/19/2020

General Safety Notes

Failure to Follow Could Cause Property Damage or Personal Injury

1. Additional stability bracing for truss system, e.g. diagonal or X-bracing, is always required. See BCSI.
2. Truss bracing must be designed by an engineer. For wide truss spacing, individual lateral braces themselves may require bracing, or alternative Tor I bracing should be considered.
3. Never exceed the design loading shown and never stack materials on inadequately braced trusses.
4. Provide copies of this truss design to the building designer, erection supervisor, property owner and all other interested parties.
5. Cut members to bear tightly against each other.
6. Place plates on each face of truss at each joint and embed fully. Knots and wane at joint locations are regulated by ANSI/TP1.
7. Design assumes trusses will be suitably protected from the environment in accord with ANSI/TP1.
8. Unless otherwise noted, moisture content of lumber shall not exceed 19% at time of fabrication.
9. Unless expressly noted, this design is not applicable for use with fire retardant, preservative treated, or green lumber.
10. Camber is a non-structural consideration and is the responsibility of truss fabricator. General practice is to camber for dead load deflection.
11. Plate type, size, orientation and location dimensions indicated are minimum plating requirements.
12. Lumber used shall be of the species and size, and in all respects, equal to or better than that specified.
13. Top chords must be sheathed or purlins provided at spacing indicated on design.
14. Bottom chords require lateral bracing at 10 ft. spacing, or less, if no ceiling is installed, unless otherwise noted.
15. Connections not shown are the responsibility of others.
16. Do not cut or alter truss member or plate without prior approval of an engineer.
17. Install and load vertically unless indicated otherwise.
18. Use of green or treated lumber may pose unacceptable environmental, health or performance risks. Consult with project engineer before use.
19. Review all portions of this design (front, back, words and pictures) before use. Reviewing pictures alone is not sufficient.
20. Design assumes manufacture in accordance with ANSI/TP1 Quality Criteria.
21. The design does not take into account any dynamic or other loads other than those expressly stated.



ROOF & FLOOR TRUSSES & BEAMS

Reilly Road Industrial Park
Fayetteville, N.C. 28309
Phone: (910) 864-8787
Fax: (910) 864-4444

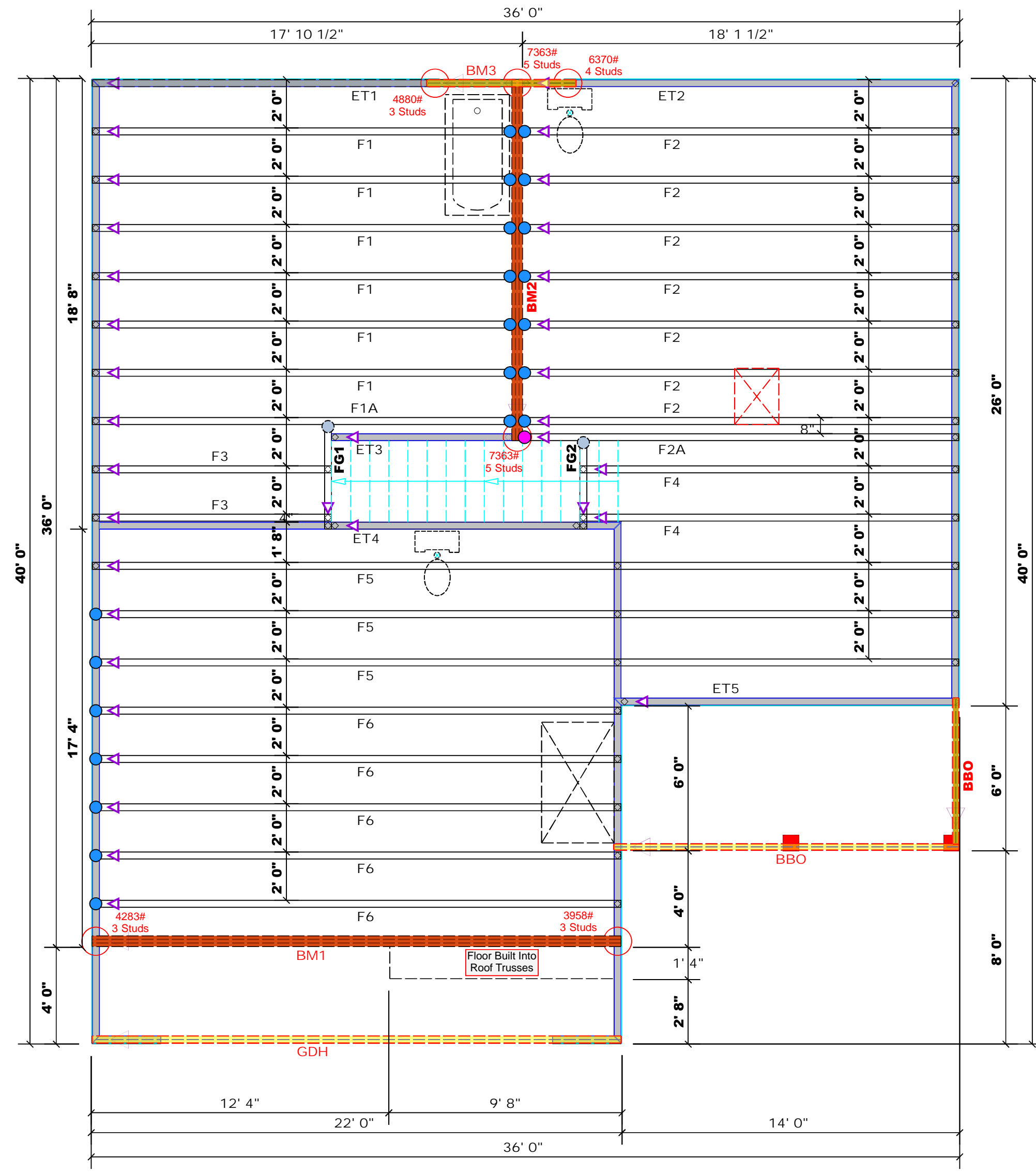
Bearing reactions less than or equal to 3000# are deemed to comply with the prescriptive Code requirements. The contractor shall refer to the attached Tables (derived from the prescriptive Code requirements) to determine the minimum foundation size and number of wood studs required to support reactions greater than 3000# but not greater than 15000#. A registered design professional shall be retained to design the support system for any reaction that exceeds those specified in the attached Tables. A registered design professional shall be retained to design the support system for all reactions that exceed 15000#.

Signature David Landry

David Landry

LOAD CHART FOR JACK STUDS

LOAD CHART FOR JACK STUDS					
BASED ON TABLES MODEL: S 010					
NUMBER OF JACK STUDS REQUIRED BY EACH END OF HEADERS/BEAMS					
REACTION (LBS)	NUMBER OF JACK STUDS FOR EACH END	END REACTION (LBS)		END REACTION (LBS)	
		FOR STUDS FOR EACH END	TOTAL REACTION	FOR STUDS FOR EACH END	TOTAL REACTION
1700	1	2550	1	3400	1
3400	2	5100	2	6800	2
5100	3	7650	3	10200	3
6800	4	10200	4	13600	4
8500	5	12750	5	17000	5
10200	6	15300	6		
11900	7				
13600	8				
15300	9				



Dimension Notes

1. All exterior wall to wall dimensions are to face of sheathing unless noted otherwise
2. All interior wall dimensions are to face of frame wall unless noted otherwise
3. All exterior wall to truss dimensions are to face of frame wall unless noted otherwise

All Walls Shown Are Considered Load Bearing

Plumbing Drop Notes

1. Plumbing drop locations shown are NOT exact.
2. Contractor to verify ALL plumbing drop locations prior to setting Floor Trusses.
3. Adjust spacing as needed not to exceed 24"oc.

Connector Information					Nail Information	
Sym	Product	Manuf	Qty	Supported Member	Header	Truss
●	HUS410	USP	21	NA	16d/3-1/2"	16d/3-1/2"
●	MSH422	USP	2	Varies	10d/3"	10d/3"
●	HD410IF	USP	1	NA	16d/3-1/2"	10d/3"

Products				
PlotID	Length	Product	Plies	Net Qty
BM1	22' 0"	1-3/4"x 16" LVL Kerto-S	3	3
BM2	15' 0"	1-3/4"x 16" LVL Kerto-S	3	3
BM3	7' 0"	1-3/4"x 9-1/4" LVL Kerto-S	2	2
GDH	22' 0"	1-3/4"x 11-7/8" LVL Kerto-S	2	2
GDH2	12' 0"	2x12 SPF No.2	2	2

1 Truss Placement Plan
Scale: 1/4"=1'

BUILDER	WEAVER DEVELOPMENT CO. INC.	CITY / CO.	ANGIER / HARNETT
JOB NAME	Lot 7 Mitchell Manor I I	ADDRESS	Wendywood Lane
PLAN	Brinkley "B" / 3GLF, CP	MODEL	Floor
SEAL DATE	N/A	DATE REV.	01/31/22
QUOTE #		DRAWN BY	David Landry
JOB #	J0122-0373	SALES REP.	Lenny Norris

THIS IS A TRUSS PLACEMENT DIAGRAM ONLY. These trusses are designed as individual building components to be incorporated into the building design at the specification of the building designer. See individual design sheets for each truss design identified on the placement drawing. The building designer is responsible for temporary and permanent bracing of the roof and floor system and for the overall structure. The design of the truss support structure including headers, beams, walls, and columns is the responsibility of the building designer. For general guidance regarding bracing, consult BCSI-B1 and BCSI-B3 provided with the truss delivery package or online @ sbindustry.com

▲ = Indicates Left End of Truss
(Reference Engineered Truss Drawing)
Do NOT Erect Truss Backwards



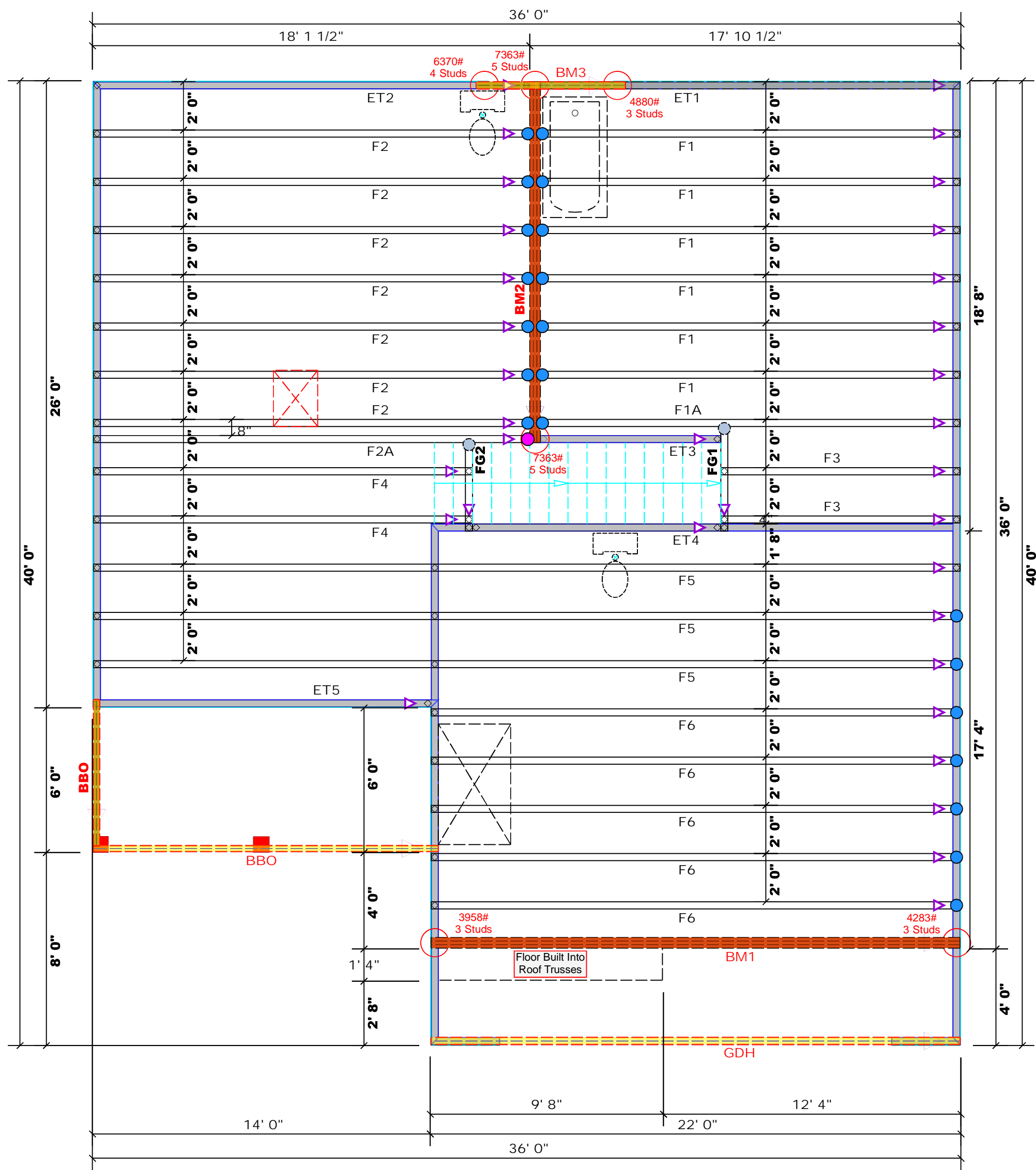
ROOF & FLOOR TRUSSES & BEAMS

Reilly Road Industrial Park
Fayetteville, N.C. 28309
Phone: (910) 864-8787
Fax: (910) 864-4444

Bearing reactions less than or equal to 3000# are deemed to comply with the prescriptive Code requirements. The contractor shall refer to the attached Tables (derived from the prescriptive Code requirements) to determine the minimum foundation size and number of wood studs required to support reactions greater than 3000# but not greater than 15000#. A registered design professional shall be retained to design the support system for any reaction that exceeds those specified in the attached Tables. A registered design professional shall be retained to design the support system for all reactions that exceed 15000#.

Signature David Landry
David Landry

LOAD CHART FOR JACK STUDS				
(BASED ON TABLES MODEL: S 103)				
NUMBER OF JACK STUDS REQUIRED BY EACH OF HEADS/HEIGHT				
REACTION (LBS)	NO. STUDS FOR 1' HEAD	NO. STUDS FOR 2' HEAD	NO. STUDS FOR 3' HEAD	NO. STUDS FOR 4' HEAD
1700	1	2	3	4
2400	2	3	4	5
3100	3	4	5	6
3800	4	5	6	7
4500	5	6	7	8
5200	6	7	8	9
5900	7	8	9	
6600	8	9		
7300	9			



Dimension Notes

- All exterior wall to wall dimensions are to face of sheathing unless noted otherwise
- All interior wall dimensions are to face of frame wall unless noted otherwise
- All exterior wall to truss dimensions are to face of frame wall unless noted otherwise

All Walls Shown Are Considered Load Bearing

Plumbing Drop Notes

- Plumbing drop locations shown are NOT exact.
- Contractor to verify ALL plumbing drop locations prior to setting Floor Trusses.
- Adjust spacing as needed not to exceed 24"oc.

Connector Information					Nail Information	
Sym	Product	Manuf	Qty	Supported Member	Header	Truss
●	HUS410	USP	21	NA	16d/3-1/2"	16d/3-1/2"
●	MSH422	USP	2	Varies	10d/3"	10d/3"
●	HD410IF	USP	1	NA	16d/3-1/2"	10d/3"

Products				
PlotID	Length	Product	Plies	Net Qty
BM1	22' 0"	1-3/4"x 16" LVL Kerto-S	3	3
BM2	15' 0"	1-3/4"x 16" LVL Kerto-S	3	3
BM3	7' 0"	1-3/4"x 9-1/4" LVL Kerto-S	2	2
GDH	22' 0"	1-3/4"x 11-7/8" LVL Kerto-S	2	2
GDH2	12' 0"	2x12 SPF No.2	2	2

1 Truss Placement Plan
Scale: 1/4"=1'

CITY / CO.	Angier / Harnett
ADDRESS	Wendywood Lane
MODEL	Floor
DATE REV.	01/31/22
DRAWN BY	David Landry
SALES REP.	Lenny Norris
BUILDER	Weaver Development Co. Inc.
JOB NAME	Lot 7 Mitchell Manor I I
PLAN	Brinkley "B" / 3GLF, CP
SEAL DATE	N/A
QUOTE #	
JOB #	J0122-0373

THIS IS A TRUSS PLACEMENT DIAGRAM ONLY. These trusses are designed as individual building components to be incorporated into the building design at the specification of the building designer. See individual design sheets for each truss design identified on the placement drawing. The building designer is responsible for temporary and permanent bracing of the roof and floor system and for the overall structure. The design of the truss support structure including headers, beams, walls, and columns is the responsibility of the building designer. For general guidance regarding bracing, consult BCSI-B1 and BCSI-B3 provided with the truss delivery package or online @ sbindustry.com

▲ = Indicates Left End of Truss
(Reference Engineered Truss Drawing)
Do NOT Erect Truss Backwards

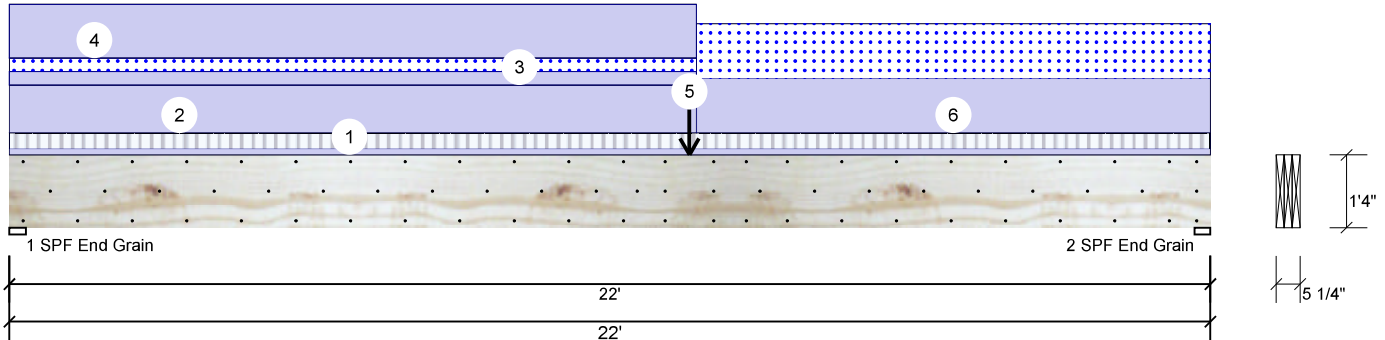


Client: Weaver Development Co. Inc.
 Project: Brinkley
 Address: Wendywood Lane
 Angier, NC 27501

Date: 1/31/2022
 Input by: David Landry
 Job Name: Lot 7 Mitchell Manor II
 Project #: J0122-0373

BM1 Kerto-S LVL 1.750" X 16.000" 3-Ply - PASSED

Level: Level



Member Information

Type:	Girder
Plies:	3
Moisture Condition:	Dry
Deflection LL:	480
Deflection TL:	360
Importance:	Normal
Temperature:	Temp <= 100°F

Application:	Floor
Design Method:	ASD
Building Code:	IBC/IRC 2015
Load Sharing:	Yes
Deck:	Not Checked
Ceiling:	Gypsum 1/2"

Reactions UNPATTERNED lb (Uplift)

Brg	Live	Dead	Snow	Wind	Const
1	440	3406	729	0	0
2	440	2616	1342	0	0

Bearings

Bearing	Length	Cap. React	D/L lb	Total Ld.	Case	Ld. Comb.
1 - SPF End Grain	3.625"	26%	3406 / 877	4283	L	D+0.75(L+S)
2 - SPF End Grain	3.500"	25%	2616 / 1342	3958	L	D+S

Analysis Results

Analysis	Actual	Location	Allowed	Capacity	Comb.	Case
Moment	23283 ft-lb	11'3 7/8"	62010 ft-lb	0.375 (38%)	D+0.75(L+S)	L
Unbraced	23283 ft-lb	11'3 7/8"	23318 ft-lb	0.999 (100%)	D+0.75(L+S)	L
Shear	4012 lb	1'6 3/4"	20608 lb	0.195 (19%)	D+0.75(L+S)	L
LL Defl inch	0.150 (L/1723)	11'6 1/16"	0.539 (L/480)	0.280 (28%)	0.75(L+S)	L
TL Defl inch	0.566 (L/457)	11'	0.718 (L/360)	0.790 (79%)	D+0.75(L+S)	L

Design Notes

- 1 Fasten all plies using 3 rows of 10d Box nails (.128x3") at 12" o.c. Maximum end distance not to exceed 6".
- 2 Refer to last page of calculations for fasteners required for specified loads.
- 3 Concentrated load fastener specification is in addition to hanger fasteners if a hanger is present.
- 4 Girders are designed to be supported on the bottom edge only.
- 5 Top loads must be supported equally by all plies.
- 6 Top must be laterally braced at a maximum of 7'7 1/2" o.c.
- 7 Lateral slenderness ratio based on single ply width.

ID	Load Type	Location	Trib Width	Side	Dead 0.9	Live 1	Snow 1.15	Wind 1.6	Const. 1.25	Comments
1	Tie-In	0-0-0 to 22-0-0	1-0-0	Top	15 PSF	40 PSF	0 PSF	0 PSF	0 PSF	Floor
2	Part. Uniform	0-0-0 to 12-7-0		Top	120 PLF	0 PLF	0 PLF	0 PLF	0 PLF	Wall
3	Part. Uniform	0-0-0 to 12-7-0		Near Face	34 PLF	0 PLF	34 PLF	0 PLF	0 PLF	M1
4	Part. Uniform	0-0-0 to 12-7-0		Top	135 PLF	0 PLF	0 PLF	0 PLF	0 PLF	C1GE
5	Point	12-5-8		Near Face	354 lb	0 lb	354 lb	0 lb	0 lb	M2A

Continued on page 2...

<p>Notes</p> <p>Calculated Structural Designs is responsible only of the structural adequacy of this component based on the design criteria and loadings shown. It is the responsibility of the customer and/or the contractor to ensure the component suitability of the intended application, and to verify the dimensions and loads.</p> <p>Lumber</p> <p>1. Dry service conditions, unless noted otherwise 2. LVL not to be treated with fire retardant or corrosive chemicals</p> <p>Handling & Installation</p> <p>1. LVL beams must not be cut or drilled 2. Refer to manufacturer's product information regarding installation requirements, multi-ply fastening details, beam strength values, and code approvals 3. Damaged Beams must not be used 4. Design assumes top edge is laterally restrained 5. Provide lateral support at bearing points to avoid lateral displacement and rotation</p>	<p>6. For flat roofs provide proper drainage to prevent ponding</p>	<p>Manufacturer Info</p> <p>Metsä Wood 301 Merritt 7 Building, 2nd Floor Norwalk, CT 06851 (800) 622-5850 www.metsawood.com/us ICC-ES: ESR-3633</p>	<p>Comtech, Inc. 1001 S. Reilly Road, Suite #639 Fayetteville, NC USA 28314 910-864-TRUS</p>
		<p>This design is valid until 4/24/2023</p>	

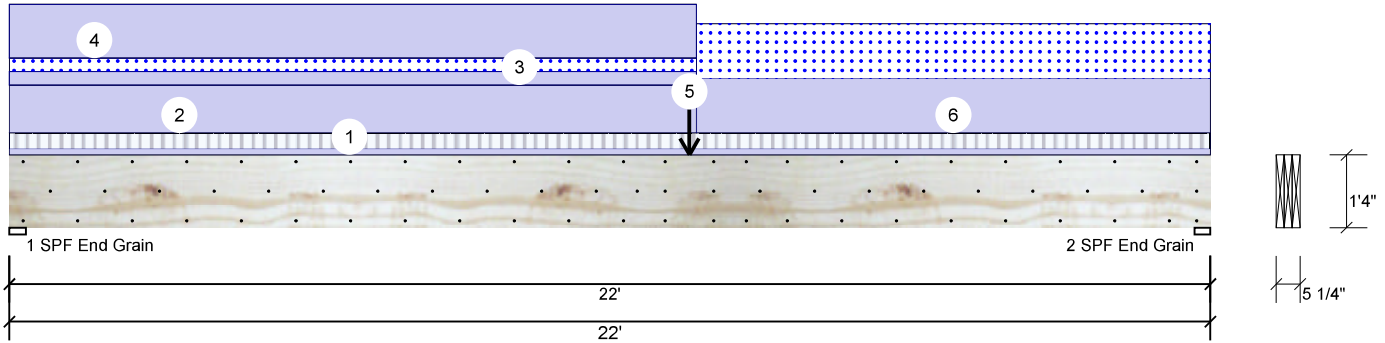


Client: Weaver Development Co. Inc.
 Project: Brinkley
 Address: Wendywood Lane
 Angier, NC 27501

Date: 1/31/2022
 Input by: David Landry
 Job Name: Lot 7 Mitchell Manor II
 Project #: J0122-0373

BM1 Kerto-S LVL 1.750" X 16.000" 3-Ply - PASSED

Level: Level



...Continued from page 1

ID	Load Type	Location	Trib Width	Side	Dead 0.9	Live 1	Snow 1.15	Wind 1.6	Const. 1.25	Comments
6	Part. Uniform	12-7-0 to 22-0-0		Near Face	137 PLF	0 PLF	137 PLF	0 PLF	0 PLF	M2
	Self Weight				19 PLF					

Notes

Calculated Structured Designs is responsible only of the structural adequacy of this component based on the design criteria and loadings shown. It is the responsibility of the customer and/or the contractor to ensure the component suitability of the intended application, and to verify the dimensions and loads.

Lumber

1. Dry service conditions, unless noted otherwise
2. LVL not to be treated with fire retardant or corrosive chemicals

Handling & Installation

1. LVL beams must not be cut or drilled
2. Refer to manufacturer's product information regarding installation requirements, multi-ply fastening details, beam strength values, and code approvals
3. Damaged Beams must not be used
4. Design assumes top edge is laterally restrained
5. Provide lateral support at bearing points to avoid lateral displacement and rotation

6. For flat roofs provide proper drainage to prevent ponding

This design is valid until 4/24/2023

Manufacturer Info

Metsä Wood
 301 Merritt 7 Building, 2nd Floor
 Norwalk, CT 06851
 (800) 622-5850
www.metsawood.com/us
 ICC-ES: ESR-3633

Comtech, Inc.
 1001 S. Reilly Road, Suite #639
 Fayetteville, NC
 USA
 28314
 910-864-TRUS



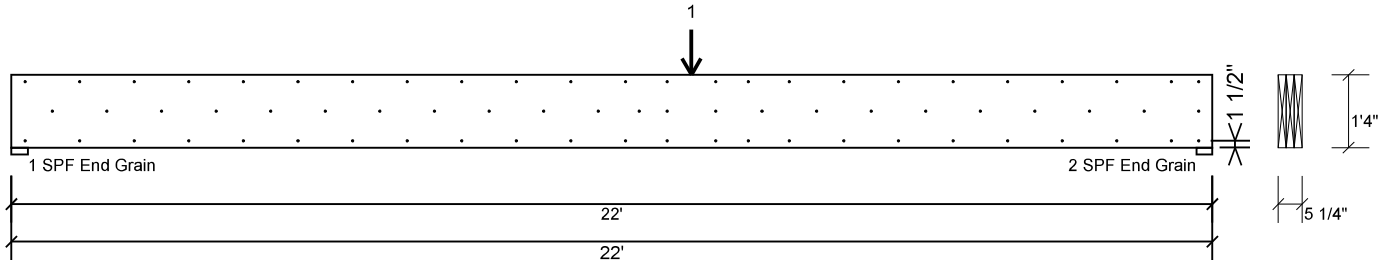


Client: Weaver Development Co. Inc.
 Project: Brinkley
 Address: Wendywood Lane
 Angier, NC 27501

Date: 1/31/2022
 Input by: David Landry
 Job Name: Lot 7 Mitchell Manor II
 Project #: J0122-0373

BM1 Kerto-S LVL 1.750" X 16.000" 3-Ply - PASSED

Level: Level



Multi-Ply Analysis

Fasten all plies using 3 rows of 10d Box nails (.128x3") at 12" o.c.. except for regions covered by concentrated load fastening. Nail from both sides. Maximum end distance not to exceed 6"

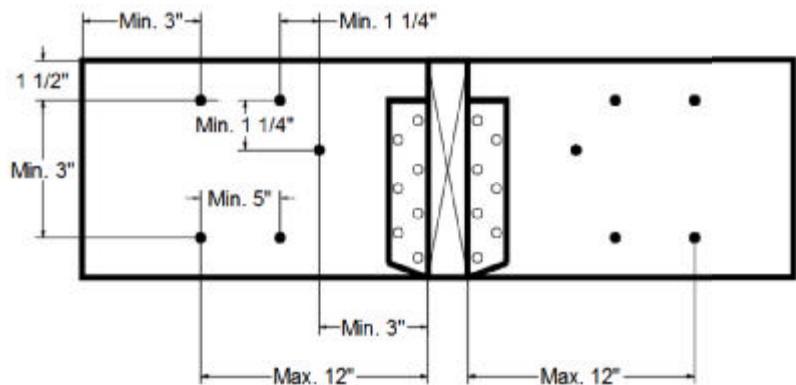
Capacity	64.7 %
Load	182.7 PLF
Yield Limit per Foot	282.4 PLF
Yield Limit per Fastener	94.1 lb.
Yield Mode	IV
Edge Distance	1 1/2"
Min. End Distance	3"
Load Combination	D+S
Duration Factor	1.15

Concentrated Load

Fasten at concentrated side load at 12-5-8 with a minimum of (6) – 10d Box nails (.128x3") in the pattern shown. Repeat fasteners on both sides.

Capacity	83.6 %
Load	472.0lb.
Total Yield Limit	564.7 lb.
Cg	0.9998
Yield Limit per Fastener	94.1 lb.
Yield Mode	IV
Load Combination	D+S
Duration Factor	1.15

Min/Max fastener distances for Concentrated Side Loads



Notes
 Calculated Structural Designs is responsible only of the structural adequacy of this component based on the design criteria and loadings shown. It is the responsibility of the customer and/or the contractor to ensure the component suitability of the intended application, and to verify the dimensions and loads.

Lumber
 1. Dry service conditions, unless noted otherwise
 2. LVL not to be treated with fire retardant or corrosive

Handling & Installation

- LVL beams must not be cut or drilled
- Refer to manufacturer's product information regarding installation requirements, multi-ply fastening details, beam strength values, and code approvals
- Damaged Beams must not be used
- Design assumes top edge is laterally restrained
- Provide lateral support at bearing points to avoid lateral displacement and rotation

6. For flat roofs provide proper drainage to prevent ponding

This design is valid until 4/24/2023

Manufacturer Info
 Metsä Wood
 301 Merritt 7 Building, 2nd Floor
 Norwalk, CT 06851
 (800) 622-5850
www.metsawood.com/us
 ICC-ES: ESR-3633

Comtech, Inc.
 1001 S. Reilly Road, Suite #639
 Fayetteville, NC
 USA
 28314
 910-864-TRUS

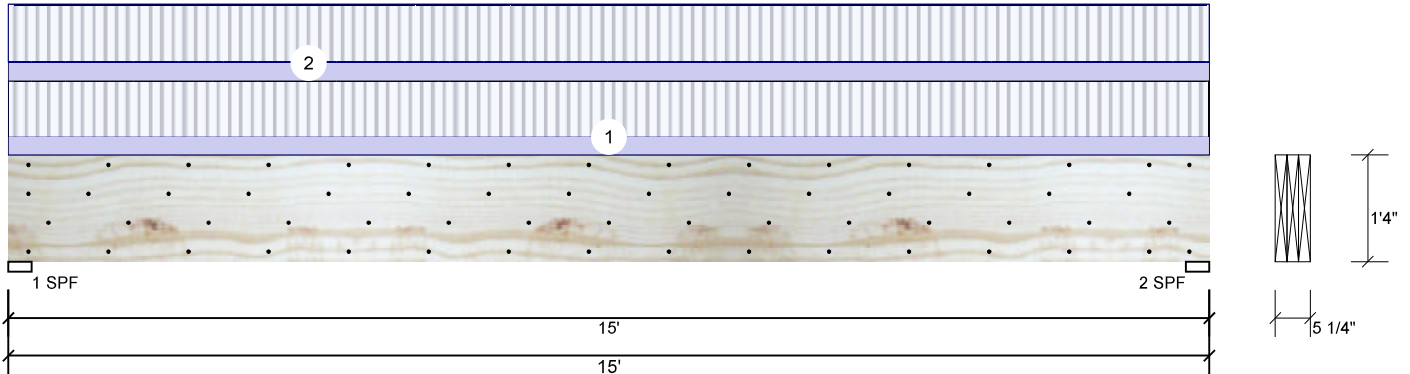


Client: Weaver Development Co. Inc.
 Project: Brinkley
 Address: Wendywood Lane
 Angier, NC 27501

Date: 1/31/2022
 Input by: David Landry
 Job Name: Lot 7 Mitchell Manor II
 Project #: J0122-0373

BM2 Kerto-S LVL 1.750" X 16.000" 3-Ply - PASSED

Level: Level



Member Information

Type:	Girder
Plies:	3
Moisture Condition:	Dry
Deflection LL:	480
Deflection TL:	360
Importance:	Normal
Temperature:	Temp <= 100°F

Application:	Floor
Design Method:	ASD
Building Code:	IBC/IRC 2015
Load Sharing:	Yes
Deck:	Not Checked
Ceiling:	Gypsum 1/2"

Reactions UNPATTERNED lb (Uplift)

Brg	Live	Dead	Snow	Wind	Const
1	5415	1948	0	0	0
2	5415	1948	0	0	0

Bearings

Bearing	Length	Cap. React	D/L lb	Total	Ld. Case	Ld. Comb.
1 - SPF	3.500"	94%	1948 / 5415	7363	L	D+L
2 - SPF	3.500"	94%	1948 / 5415	7363	L	D+L

Analysis Results

Analysis	Actual	Location	Allowed	Capacity	Comb.	Case
Moment	26022 ft-lb	7'6"	53922 ft-lb	0.483 (48%)	D+L	L
Unbraced	26022 ft-lb	7'6"	26044 ft-lb	0.999 (100%)	D+L	L
Shear	7123 lb	1'6 5/8"	17920 lb	0.397 (40%)	D+L	L
LL Defl inch	0.230 (L/759)	7'6 1/16"	0.364 (L/480)	0.630 (63%)	L	L
TL Defl inch	0.313 (L/559)	7'6 1/16"	0.485 (L/360)	0.640 (64%)	D+L	L

Design Notes

- 1 Fasten all plies using 4 rows of 10d Box nails (.128x3") at 12" o.c. Maximum end distance not to exceed 6".
- 2 Refer to last page of calculations for fasteners required for specified loads.
- 3 Girders are designed to be supported on the bottom edge only.
- 4 Top must be laterally braced at a maximum of 6'8 5/8" o.c.
- 5 Lateral slenderness ratio based on single ply width.

ID	Load Type	Location	Trib Width	Side	Dead 0.9	Live 1	Snow 1.15	Wind 1.6	Const. 1.25	Comments
1	Uniform			Far Face	118 PLF	354 PLF	0 PLF	0 PLF	0 PLF	F1
2	Uniform			Near Face	123 PLF	368 PLF	0 PLF	0 PLF	0 PLF	F2
	Self Weight				19 PLF					

Notes
 Calculated Structured Designs is responsible only of the structural adequacy of this component based on the design criteria and loadings shown. It is the responsibility of the customer and/or the contractor to ensure the component suitability of the intended application, and to verify the dimensions and loads.

Lumber
 1. Dry service conditions, unless noted otherwise
 2. LVL not to be treated with fire retardant or corrosive chemicals

Handling & Installation
 1. LVL beams must not be cut or drilled
 2. Refer to manufacturer's product information regarding installation requirements, multi-ply fastening details, beam strength values, and code approvals
 3. Damaged Beams must not be used
 4. Design assumes top edge is laterally restrained
 5. Provide lateral support at bearing points to avoid lateral displacement and rotation

6. For flat roofs provide proper drainage to prevent ponding

This design is valid until 4/24/2023

Manufacturer Info
 Metsä Wood
 301 Merritt 7 Building, 2nd Floor
 Norwalk, CT 06851
 (800) 622-5850
 www.metsawood.com/us
 ICC-ES: ESR-3633

Comtech, Inc.
 1001 S. Reilly Road, Suite #639
 Fayetteville, NC
 USA
 28314
 910-864-TRUS

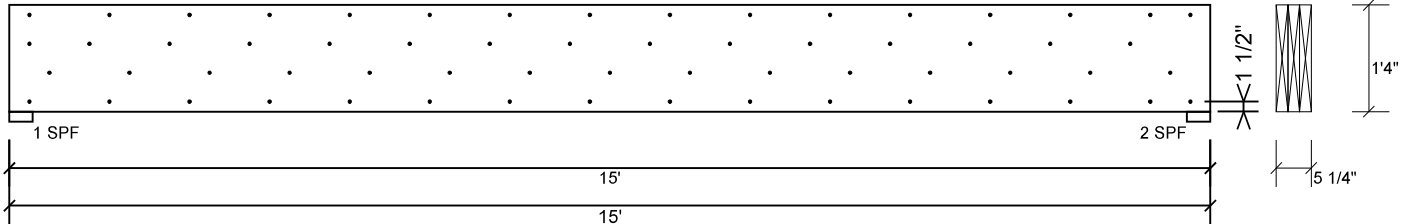


Client: Weaver Development Co. Inc.
 Project: Brinkley
 Address: Wendywood Lane
 Angier, NC 27501

Date: 1/31/2022
 Input by: David Landry
 Job Name: Lot 7 Mitchell Manor II
 Project #: J0122-0373

BM2 Kerto-S LVL 1.750" X 16.000" 3-Ply - PASSED

Level: Level



Multi-Ply Analysis

Fasten all plies using 4 rows of 10d Box nails (.128x3") at 12" o.c.. Nail from both sides. Maximum end distance not to exceed 6"

Capacity	100.0 %
Load	327.3 PLF
Yield Limit per Foot	327.4 PLF
Yield Limit per Fastener	81.9 lb.
Yield Mode	IV
Edge Distance	1 1/2"
Min. End Distance	3"
Load Combination	D+L
Duration Factor	1.00

Notes

Calculated Structural Designs is responsible only of the structural adequacy of this component based on the design criteria and loadings shown. It is the responsibility of the customer and/or the contractor to ensure the component suitability of the intended application, and to verify the dimensions and loads.

Lumber

1. Dry service conditions, unless noted otherwise
2. LVL not to be treated with fire retardant or corrosive chemicals

Handling & Installation

1. LVL beams must not be cut or drilled
2. Refer to manufacturer's product information regarding installation requirements, multi-ply fastening details, beam strength values, and code approvals
3. Damaged Beams must not be used
4. Design assumes top edge is laterally restrained
5. Provide lateral support at bearing points to avoid lateral displacement and rotation

6. For flat roofs provide proper drainage to prevent ponding

This design is valid until 4/24/2023

Manufacturer Info

Metsä Wood
 301 Merritt 7 Building, 2nd Floor
 Norwalk, CT 06851
 (800) 622-5850
www.metsawood.com/us
 ICC-ES: ESR-3633

Comtech, Inc.
 1001 S. Reilly Road, Suite #639
 Fayetteville, NC
 USA
 28314
 910-864-TRUS



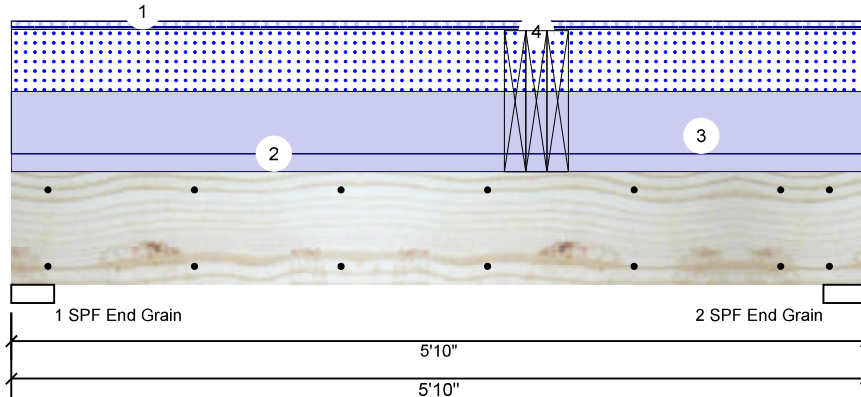


Client: Weaver Development Co. Inc.
 Project: Brinkley
 Address: Wendywood Lane
 Angier, NC 27501

Date: 1/31/2022
 Input by: David Landry
 Job Name: Lot 7 Mitchell Manor II
 Project #: J0122-0373

BM3 Kerto-S LVL 1.750" X 9.250" 2-Ply - PASSED

Level: Level



Member Information

Type:	Girder
Plies:	2
Moisture Condition:	Dry
Deflection LL:	480
Deflection TL:	360
Importance:	Normal
Temperature:	Temp <= 100°F

Application:	Floor
Design Method:	ASD
Building Code:	IBC/IRC 2015
Load Sharing:	No
Deck:	Not Checked
Ceiling:	Gypsum 1/2"

Reactions UNPATTERNED lb (Uplift)

Brg	Live	Dead	Snow	Wind	Const
1	2153	2357	1210	0	0
2	3496	2840	1210	0	0

Bearings

Bearing	Length	Cap. React	D/L lb	Total	Ld. Case	Ld. Comb.
1 - SPF End Grain	3.500"	46%	2357 / 2522	4880	L	D+0.75(L+S)
2 - SPF End Grain	3.500"	60%	2840 / 3530	6370	L	D+0.75(L+S)

Analysis Results

Analysis	Actual	Location	Allowed	Capacity	Comb.	Case
Moment	11308 ft-lb	3'7"	12542 ft-lb	0.902 (90%)	D+L	L
Unbraced	11308 ft-lb	3'7"	11327 ft-lb	0.998 (100%)	D+L	L
Shear	5739 lb	4'10"	6907 lb	0.831 (83%)	D+L	L
LL Defl inch	0.084 (L/764)	3'4 7/8"	0.134 (L/480)	0.630 (63%)	L	L
TL Defl inch	0.143 (L/451)	3'3 5/8"	0.179 (L/360)	0.800 (80%)	D+L	L

Design Notes

- 1 Fasten all plies using 2 rows of 10d Box nails (.128x3") at 12" o.c. Maximum end distance not to exceed 6".
- 2 Refer to last page of calculations for fasteners required for specified loads.
- 3 Girders are designed to be supported on the bottom edge only.
- 4 Top loads must be supported equally by all plies.
- 5 Top must be laterally braced at a maximum of 4'3" o.c.
- 6 Lateral slenderness ratio based on single ply width.

ID	Load Type	Location	Trib Width	Side	Dead 0.9	Live 1	Snow 1.15	Wind 1.6	Const. 1.25	Comments
1	Tie-In	0-0-0 to 5-10-0	1-0-0	Top	15 PSF	40 PSF	0 PSF	0 PSF	0 PSF	Floor
2	Uniform			Top	120 PLF	0 PLF	0 PLF	0 PLF	0 PLF	Wall
3	Uniform			Top	415 PLF	0 PLF	415 PLF	0 PLF	0 PLF	A3
4	Point Self Weight	3-7-0		Top	1948 lb	5415 lb	0 lb	0 lb	0 lb	BM2 Brg 2

Notes
 Calculated Structured Designs is responsible only of the structural adequacy of this component based on the design criteria and loadings shown. It is the responsibility of the customer and/or the contractor to ensure the component suitability of the intended application, and to verify the dimensions and loads.
Lumber
 1. Dry service conditions, unless noted otherwise
 2. LVL not to be treated with fire retardant or corrosive chemicals

Handling & Installation
 1. LVL beams must not be cut or drilled
 2. Refer to manufacturer's product information regarding installation requirements, multi-ply fastening details, beam strength values, and code approvals
 3. Damaged Beams must not be used
 4. Design assumes top edge is laterally restrained
 5. Provide lateral support at bearing points to avoid lateral displacement and rotation

6. For flat roofs provide proper drainage to prevent ponding
 This design is valid until 4/24/2023

Manufacturer Info
 Metsä Wood
 301 Merritt 7 Building, 2nd Floor
 Norwalk, CT 06851
 (800) 622-5850
 www.metsawood.com/us
 ICC-ES: ESR-3633

Comtech, Inc.
 1001 S. Reilly Road, Suite #639
 Fayetteville, NC
 USA
 28314
 910-864-TRUS

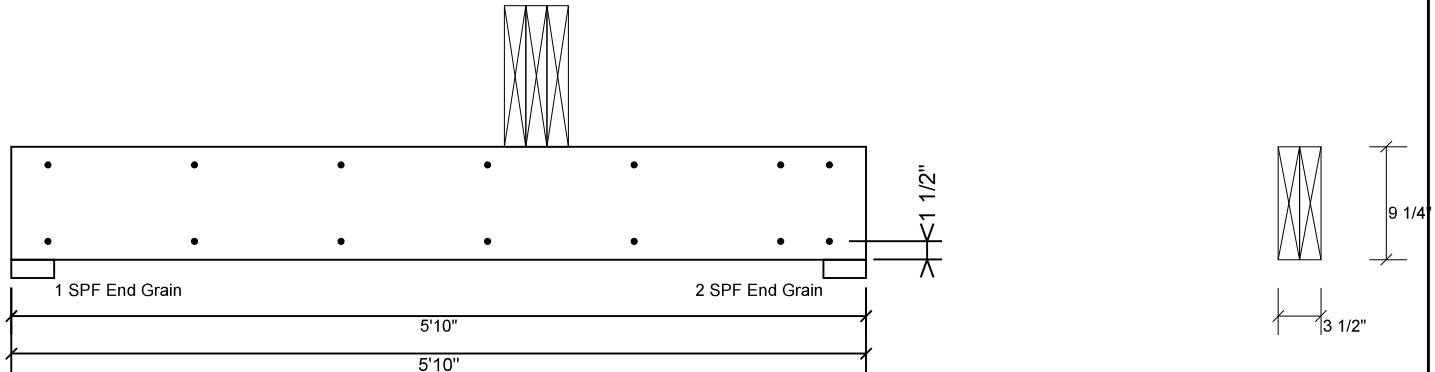


Client: Weaver Development Co. Inc.
 Project: Brinkley
 Address: Wendywood Lane
 Angier, NC 27501

Date: 1/31/2022
 Input by: David Landry
 Job Name: Lot 7 Mitchell Manor II
 Project #: J0122-0373

BM3 Kerto-S LVL 1.750" X 9.250" 2-Ply - PASSED

Level: Level



Multi-Ply Analysis

Fasten all plies using 2 rows of 10d Box nails (.128x3") at 12" o.c.. Maximum end distance not to exceed 6"

Capacity	0.0 %
Load	0.0 PLF
Yield Limit per Foot	163.7 PLF
Yield Limit per Fastener	81.9 lb.
Yield Mode	IV
Edge Distance	1 1/2"
Min. End Distance	3"
Load Combination	
Duration Factor	1.00

Notes

Calculated Structured Designs is responsible only of the structural adequacy of this component based on the design criteria and loadings shown. It is the responsibility of the customer and/or the contractor to ensure the component suitability of the intended application, and to verify the dimensions and loads.

Lumber

1. Dry service conditions, unless noted otherwise
2. LVL not to be treated with fire retardant or corrosive

chemicals

Handling & Installation

1. LVL beams must not be cut or drilled
2. Refer to manufacturer's product information regarding installation requirements, multi-ply fastening details, beam strength values, and code approvals
3. Damaged Beams must not be used
4. Design assumes top edge is laterally restrained
5. Provide lateral support at bearing points to avoid lateral displacement and rotation

6. For flat roofs provide proper drainage to prevent ponding

This design is valid until 4/24/2023

Manufacturer Info

Metsä Wood
 301 Merritt 7 Building, 2nd Floor
 Norwalk, CT 06851
 (800) 622-5850
www.metsawood.com/us
 ICC-ES: ESR-3633

Comtech, Inc.
 1001 S. Reilly Road, Suite #639
 Fayetteville, NC
 USA
 28314
 910-864-TRUS



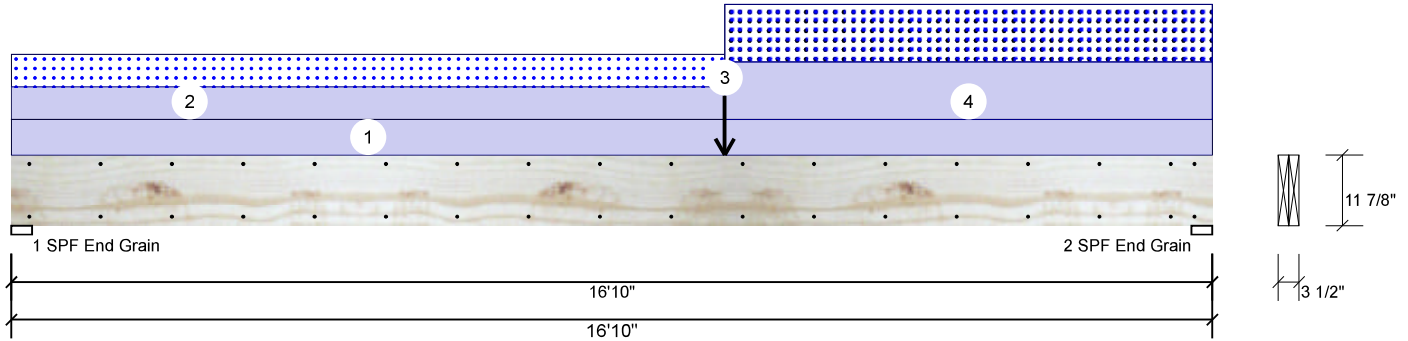


Client: Weaver Development Co. Inc.
 Project: Brinkley
 Address: Wendywood Lane
 Angier, NC 27501

Date: 1/31/2022
 Input by: David Landry
 Job Name: Lot 7 Mitchell Manor II
 Project #: J0122-0373

GDH Kerto-S LVL 1.750" X 11.875" 2-Ply - PASSED

Level: Level



Member Information

Type:	Girder
Plies:	2
Moisture Condition:	Dry
Deflection LL:	480
Deflection TL:	360
Importance:	Normal
Temperature:	Temp <= 100°F

Application:	Floor
Design Method:	ASD
Building Code:	IBC/IRC 2015
Load Sharing:	No
Deck:	Not Checked
Ceiling:	Gypsum 1/2"

Reactions UNPATTERNED lb (Uplift)

Brg	Live	Dead	Snow	Wind	Const
1	0	1190	608	0	0
2	0	1408	825	0	0

Bearings

Bearing	Length	Cap. React	D/L lb	Total	Ld. Case	Ld. Comb.
1 - SPF End Grain	3.500"	17%	1190 / 608	1798	L	D+S
2 - SPF End Grain	3.500"	21%	1408 / 825	2233	L	D+S

Analysis Results

Analysis	Actual	Location	Allowed	Capacity	Comb.	Case
Moment	8610 ft-lb	10'	22897 ft-lb	0.376 (38%)	D+S	L
Unbraced	8610 ft-lb	10'	8629 ft-lb	0.998 (100%)	D+S	L
Shear	1912 lb	15' 3/8"	10197 lb	0.188 (19%)	D+S	L
LL Defl inch	0.158 (L/1246)	8' 8 13/16"	0.409 (L/480)	0.390 (39%)	S	L
TL Defl inch	0.436 (L/450)	8' 7 3/4"	0.546 (L/360)	0.800 (80%)	D+S	L

Design Notes

- 1 Fasten all plies using 2 rows of 10d Box nails (.128x3") at 12" o.c. Maximum end distance not to exceed 6".
- 2 Refer to last page of calculations for fasteners required for specified loads.
- 3 Girders are designed to be supported on the bottom edge only.
- 4 Top loads must be supported equally by all plies.
- 5 Top must be laterally braced at a maximum of 11' 3/4" o.c.
- 6 Lateral slenderness ratio based on single ply width.

ID	Load Type	Location	Trib Width	Side	Dead 0.9	Live 1	Snow 1.15	Wind 1.6	Const. 1.25	Comments
1	Uniform			Top	60 PLF	0 PLF	0 PLF	0 PLF	0 PLF	Wall
2	Part. Uniform	0-0-0 to 10-0-0		Top	55 PLF	0 PLF	55 PLF	0 PLF	0 PLF	M1
3	Point	10-0-0		Top	220 lb	0 lb	220 lb	0 lb	0 lb	M2A
4	Part. Uniform	10-0-0 to 16-10-0		Top	97 PLF	0 PLF	97 PLF	0 PLF	0 PLF	M2
	Self Weight				9 PLF					

Notes
 Calculated Structured Designs is responsible only of the structural adequacy of this component based on the design criteria and loadings shown. It is the responsibility of the customer and/or the contractor to ensure the component suitability of the intended application, and to verify the dimensions and loads.
Lumber
 1. Dry service conditions, unless noted otherwise
 2. LVL not to be treated with fire retardant or corrosive chemicals

Handling & Installation
 1. LVL beams must not be cut or drilled
 2. Refer to manufacturer's product information regarding installation requirements, multi-ply fastening details, beam strength values, and code approvals
 3. Damaged Beams must not be used
 4. Design assumes top edge is laterally restrained
 5. Provide lateral support at bearing points to avoid lateral displacement and rotation

6. For flat roofs provide proper drainage to prevent ponding
 This design is valid until 4/24/2023

Manufacturer Info
 Metsä Wood
 301 Merritt 7 Building, 2nd Floor
 Norwalk, CT 06851
 (800) 622-5850
 www.metsawood.com/us
 ICC-ES: ESR-3633

Comtech, Inc.
 1001 S. Reilly Road, Suite #639
 Fayetteville, NC
 USA
 28314
 910-864-TRUS

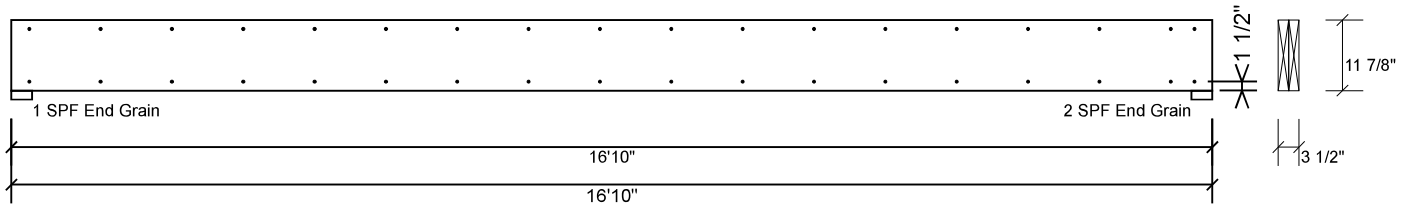


Client: Weaver Development Co. Inc.
 Project: Brinkley
 Address: Wendywood Lane
 Angier, NC 27501

Date: 1/31/2022
 Input by: David Landry
 Job Name: Lot 7 Mitchell Manor II
 Project #: J0122-0373

GDH Kerto-S LVL 1.750" X 11.875" 2-Ply - PASSED

Level: Level



Multi-Ply Analysis

Fasten all plies using 2 rows of 10d Box nails (.128x3") at 12" o.c.. Maximum end distance not to exceed 6"

Capacity	0.0 %
Load	0.0 PLF
Yield Limit per Foot	163.7 PLF
Yield Limit per Fastener	81.9 lb.
Yield Mode	IV
Edge Distance	1 1/2"
Min. End Distance	3"
Load Combination	
Duration Factor	1.00

Notes

Calculated Structured Designs is responsible only of the structural adequacy of this component based on the design criteria and loadings shown. It is the responsibility of the customer and/or the contractor to ensure the component suitability of the intended application, and to verify the dimensions and loads.

Lumber

1. Dry service conditions, unless noted otherwise
2. LVL not to be treated with fire retardant or corrosive chemicals

Handling & Installation

1. LVL beams must not be cut or drilled
2. Refer to manufacturer's product information regarding installation requirements, multi-ply fastening details, beam strength values, and code approvals
3. Damaged Beams must not be used
4. Design assumes top edge is laterally restrained
5. Provide lateral support at bearing points to avoid lateral displacement and rotation

6. For flat roofs provide proper drainage to prevent ponding

This design is valid until 4/24/2023

Manufacturer Info

Metsä Wood
 301 Merritt 7 Building, 2nd Floor
 Norwalk, CT 06851
 (800) 622-5850
www.metsawood.com/us
 ICC-ES: ESR-3633

Comtech, Inc.
 1001 S. Reilly Road, Suite #639
 Fayetteville, NC
 USA
 28314
 910-864-TRUS



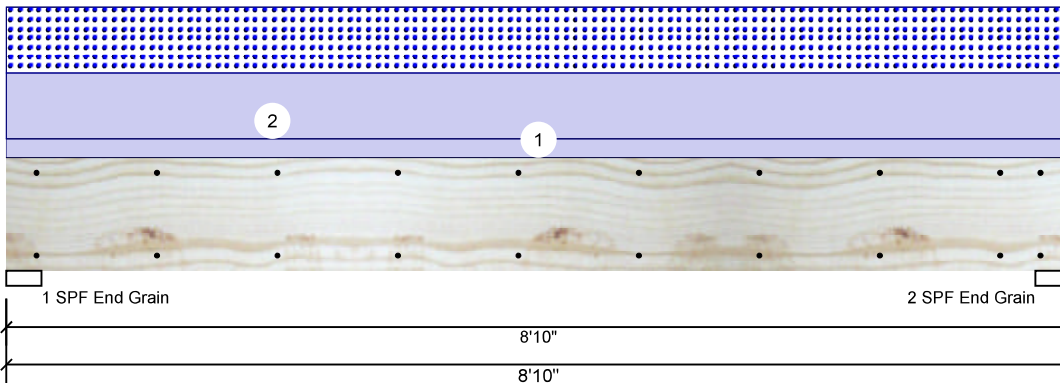


Client: Weaver Development Co. Inc.
 Project: Brinkley
 Address: Wendywood Lane
 Angier, NC 27501

Date: 1/31/2022
 Input by: David Landry
 Job Name: Lot 7 Mitchell Manor II
 Project #: J0122-0373

GDH2 S-P-F #2 2.000" X 12.000" 2-Ply - PASSED

Level: Level



Member Information

Type:	Girder
Plies:	2
Moisture Condition:	Dry
Deflection LL:	480
Deflection TL:	360
Importance:	Normal
Temperature:	Temp <= 100°F

Application:	Floor
Design Method:	ASD
Building Code:	IBC/IRC 2015
Load Sharing:	No
Deck:	Not Checked
Ceiling:	Gypsum 1/2"

Reactions UNPATTERNED lb (Uplift)

Brg	Live	Dead	Snow	Wind	Const
1	0	1188	923	0	0
2	0	1188	923	0	0

Bearings

Bearing	Length	Cap. React	D/L lb	Total	Ld. Case	Ld. Comb.
1 - SPF End Grain	3.500"	47%	1188 / 923	2111	L	D+S
2 - SPF End Grain	3.500"	47%	1188 / 923	2111	L	D+S

Analysis Results

Analysis	Actual	Location	Allowed	Capacity	Comb.	Case
Moment	4191 ft-lb	4'5"	5306 ft-lb	0.790 (79%)	D+S	L
Unbraced	4191 ft-lb	4'5"	4197 ft-lb	0.999 (100%)	D+S	L
Shear	1554 lb	7'8"	3493 lb	0.445 (44%)	D+S	L
LL Defl inch	0.046 (L/2165)	4'5 1/16"	0.209 (L/480)	0.220 (22%)	S	L
TL Defl inch	0.106 (L/947)	4'5 1/16"	0.279 (L/360)	0.380 (38%)	D+S	L

Design Notes

- 1 Fasten all plies using 2 rows of 10d Box nails (.128x3") at 12" o.c. Maximum end distance not to exceed 6".
- 2 Refer to last page of calculations for fasteners required for specified loads.
- 3 Girders are designed to be supported on the bottom edge only.
- 4 Top loads must be supported equally by all plies.
- 5 Top must be laterally braced at a maximum of 7'6" o.c.
- 6 Lateral slenderness ratio based on single ply width.

ID	Load Type	Location	Trib Width	Side	Dead 0.9	Live 1	Snow 1.15	Wind 1.6	Const. 1.25	Comments
1	Uniform			Top	60 PLF	0 PLF	0 PLF	0 PLF	0 PLF	Wall
2	Uniform			Top	209 PLF	0 PLF	209 PLF	0 PLF	0 PLF	D1

Manufacturer Info

Comtech, Inc.
 1001 S. Reilly Road, Suite #639
 Fayetteville, NC
 USA
 28314
 910-864-TRUS



This design is valid until 4/24/2023

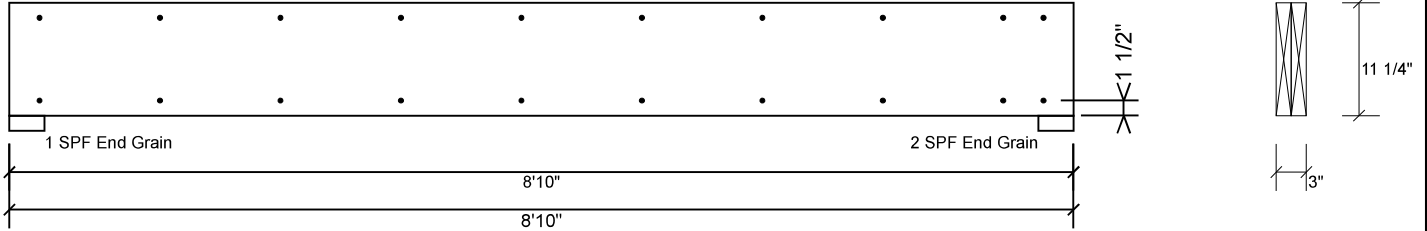


Client: Weaver Development Co. Inc.
 Project: Brinkley
 Address: Wendywood Lane
 Angier, NC 27501

Date: 1/31/2022
 Input by: David Landry
 Job Name: Lot 7 Mitchell Manor II
 Project #: J0122-0373

GDH2 S-P-F #2 2.000" X 12.000" 2-Ply - PASSED

Level: Level



Multi-Ply Analysis

Fasten all plies using 2 rows of 10d Box nails (.128x3") at 12" o.c.. Maximum end distance not to exceed 6"

Capacity	0.0 %
Load	0.0 PLF
Yield Limit per Foot	157.4 PLF
Yield Limit per Fastener	78.7 lb.
Yield Mode	IV
Edge Distance	1 1/2"
Min. End Distance	3"
Load Combination	
Duration Factor	1.00

Manufacturer Info	Comtech, Inc. 1001 S. Reilly Road, Suite #639 Fayetteville, NC USA 28314 910-864-TRUS

This design is valid until 4/24/2023



RE: J0122-0373
Lot 7 Mitchell Manor II

Trenco
818 Soundside Rd
Edenton, NC 27932

Site Information:

Customer: Weaver Development Co. Inc. Project Name: J0122-0373
Lot/Block: 7 Model: Brinkley
Address: Wendywood Lane Subdivision: Mitchell Manor II
City: Angier State: NC

General Truss Engineering Criteria & Design Loads (Individual Truss Design Drawings Show Special Loading Conditions):

Design Code: IRC2015/TPI2014 Design Program: MiTek 20/20 8.4
Wind Code: N/A Wind Speed: N/A mph
Roof Load: N/A psf Floor Load: 55.0 psf

This package includes 15 individual, dated Truss Design Drawings and 0 Additional Drawings.

No.	Seal#	Truss Name	Date
1	E16477192	ET1	12/9/2021
2	E16477193	ET2	12/9/2021
3	E16477194	ET3	12/9/2021
4	E16477195	ET4	12/9/2021
5	E16477196	ET5	12/9/2021
6	E16477197	F1	12/9/2021
7	E16477198	F1A	12/9/2021
8	E16477199	F2	12/9/2021
9	E16477200	F2A	12/9/2021
10	E16477201	F3	12/9/2021
11	E16477202	F4	12/9/2021
12	E16477203	F5	12/9/2021
13	E16477204	F6	12/9/2021
14	E16477205	FG1	12/9/2021
15	E16477206	FG2	12/9/2021

The truss drawing(s) referenced above have been prepared by Truss Engineering Co. under my direct supervision based on the parameters provided by Comtech, Inc - Fayetteville.

Truss Design Engineer's Name: Gilbert, Eric

My license renewal date for the state of North Carolina is December 31, 2022.

North Carolina COA: C-0844

IMPORTANT NOTE: The seal on these truss component designs is a certification that the engineer named is licensed in the jurisdiction(s) identified and that the designs comply with ANSI/TPI 1. These designs are based upon parameters shown (e.g., loads, supports, dimensions, shapes and design codes), which were given to TRENCO. Any project specific information included is for TRENCO customers file reference purpose only, and was not taken into account in the preparation of these designs. TRENCO has not independently verified the applicability of the design parameters or the designs for any particular building. Before use, the building designer should verify applicability of design parameters and properly incorporate these designs into the overall building design per ANSI/TPI 1, Chapter 2.



December 09, 2021

Job J0122-0373	Truss ET1	Truss Type GABLE	Qty 1	Ply 1	Lot 7 Mitchell Manor II Job Reference (optional)	E16477192
-------------------	--------------	---------------------	----------	----------	---	-----------

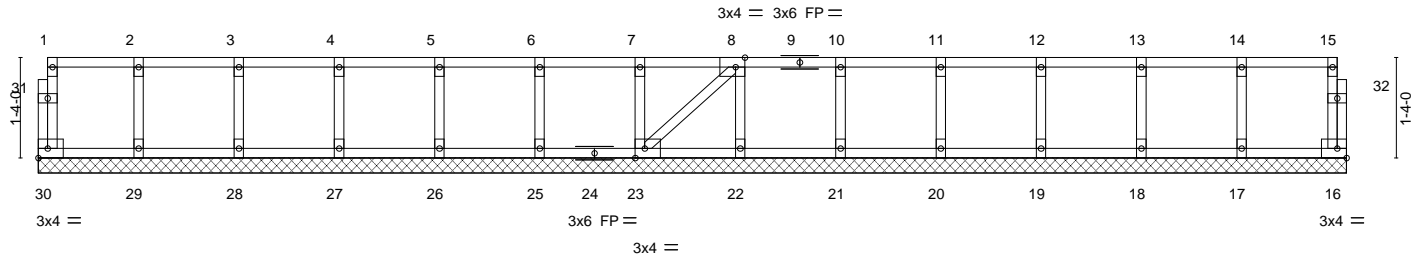
Comtech, Inc, Fayetteville, NC - 28314,

8,430 s Aug 16 2021 MiTek Industries, Inc. Thu Dec 9 07:37:42 2021 Page 1
ID:14HRAT3elT9qoRIdAoEs_5z0Axy-ZRjZ6pQzCiaelCDjECeqYz9QWFyQvDMB9M5PdKyAmHN

0-1-8

0-1-8

Scale = 1:28.8



1-4-0	2-8-0	4-0-0	5-4-0	6-8-0	8-0-0	9-4-0	10-8-0	12-0-0	13-4-0	14-8-0	16-0-0	17-4-12
1-4-0	1-4-0	1-4-0	1-4-0	1-4-0	1-4-0	1-4-0	1-4-0	1-4-0	1-4-0	1-4-0	1-4-0	1-4-12

Plate Offsets (X,Y)--	[8:0-1-8,Edge], [23:0-1-8,Edge]											
LOADING (psf)	SPACING-	2-0-0	CSI.	DEFL.	in (loc)	l/defl	L/d	PLATES	GRIP			
TCLL 40.0	Plate Grip DOL	1.00	TC 0.06	Vert(LL)	n/a	-	n/a	999	MT20	244/190		
TCDL 10.0	Lumber DOL	1.00	BC 0.01	Vert(CT)	n/a	-	n/a	999				
BCLL 0.0	Rep Stress Incr	YES	WB 0.03	Horz(CT)	0.00	16	n/a	n/a				
BCDL 5.0	Code IRC2015/TPI2014		Matrix-S					Weight: 79 lb	FT = 20%F, 11%E			

LUMBER-	BRACING-		
TOP CHORD 2x4 SP No.1 (flat)	TOP CHORD	Structural wood sheathing directly applied or 6-0-0 oc purlins, except end verticals.	
BOT CHORD 2x4 SP No.1 (flat)	BOT CHORD	Rigid ceiling directly applied or 10-0-0 oc bracing.	
WEBS 2x4 SP No.3 (flat)			
OTHERS 2x4 SP No.3 (flat)			


REACTIONS. All bearings 17-4-12.
(lb) - Max Grav All reactions 250 lb or less at joint(s) 30, 16, 29, 28, 27, 26, 25, 23, 22, 21, 20, 19, 18, 17

FORCES. (lb) - Max. Comp./Max. Ten. - All forces 250 (lb) or less except when shown.

- NOTES-**
- 1) All plates are 1.5x3 MT20 unless otherwise indicated.
 - 2) Plates checked for a plus or minus 1 degree rotation about its center.
 - 3) Gable requires continuous bottom chord bearing.
 - 4) Truss to be fully sheathed from one face or securely braced against lateral movement (i.e. diagonal web).
 - 5) Gable studs spaced at 1-4-0 oc.
 - 6) This truss is designed in accordance with the 2015 International Residential Code sections R502.11.1 and R802.10.2 and referenced standard ANSI/TPI 1.
 - 7) Recommend 2x6 strongbacks, on edge, spaced at 10-0-0 oc and fastened to each truss with 3-10d (0.131" X 3") nails. Strongbacks to be attached to walls at their outer ends or restrained by other means.



December 9, 2021

<p>WARNING - Verify design parameters and READ NOTES ON THIS AND INCLUDED MITEK REFERENCE PAGE MII-7473 rev. 5/19/2020 BEFORE USE. Design valid for use only with MiTek® connectors. This design is based only upon parameters shown, and is for an individual building component, not a truss system. Before use, the building designer must verify the applicability of design parameters and properly incorporate this design into the overall building design. Bracing indicated is to prevent buckling of individual truss web and/or chord members only. Additional temporary and permanent bracing is always required for stability and to prevent collapse with possible personal injury and property damage. For general guidance regarding the fabrication, storage, delivery, erection and bracing of trusses and truss systems, see ANSI/TPI1 Quality Criteria, DSB-89 and BCSI Building Component Safety Information available from Truss Plate Institute, 2670 Crain Highway, Suite 203 Waldorf, MD 20601</p>	 818 Soundside Road Edenton, NC 27932
---	--

Job J0122-0373	Truss ET2	Truss Type GABLE	Qty 1	Ply 1	Lot 7 Mitchell Manor II Job Reference (optional)	E16477193
-------------------	--------------	---------------------	----------	----------	---	-----------

Comtech, Inc, Fayetteville, NC - 28314,

8.430 s Aug 16 2021 MiTek Industries, Inc. Thu Dec 9 07:37:43 2021 Page 1
ID:I4HRAT3eIT9qoRldAoEs_5z0Axy-1dHxK9Rbz0iVwMovow935AibGeHgE4cLO0ry9myAmHM

0-1/8

Scale = 1:30.1

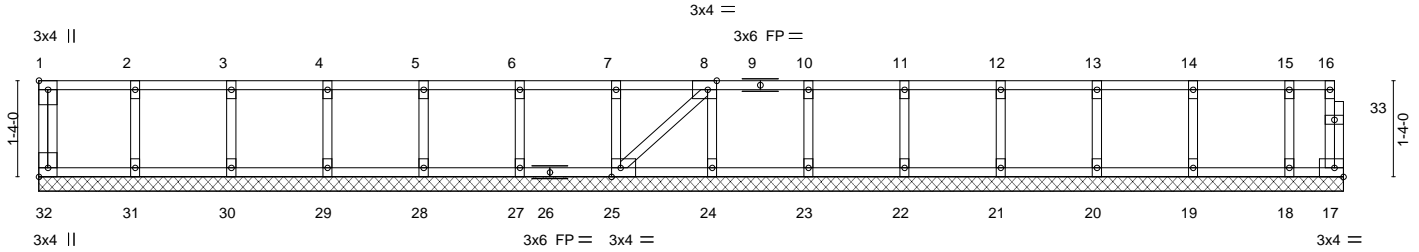


Plate Offsets (X,Y)--	[1:Edge,0-1-8], [8:0-1-8,Edge], [25:0-1-8,Edge], [32:Edge,0-1-8]
-----------------------	--

LOADING (psf)	SPACING-	2-0-0	CSI.	DEFL.	in (loc)	l/defl	L/d	PLATES	GRIP	
TCLL 40.0	Plate Grip DOL	1.00	TC 0.06	Vert(LL)	n/a	-	n/a	999	MT20	244/190
TCDL 10.0	Lumber DOL	1.00	BC 0.01	Vert(CT)	n/a	-	n/a	999		
BCLL 0.0	Rep Stress Incr	YES	WB 0.03	Horz(CT)	0.00	17	n/a	n/a		
BCDL 5.0	Code IRC2015/TPI2014		Matrix-S						Weight: 83 lb	FT = 20%F, 11%E

LUMBER-	BRACING-
TOP CHORD 2x4 SP No.1 (flat)	TOP CHORD Structural wood sheathing directly applied or 6-0-0 oc purlins, except end verticals.
BOT CHORD 2x4 SP No.1 (flat)	BOT CHORD Rigid ceiling directly applied or 10-0-0 oc bracing.
WEBS 2x4 SP No.3 (flat)	
OTHERS 2x4 SP No.3 (flat)	

REACTIONS. All bearings 18-1-0.
(lb) - Max Grav All reactions 250 lb or less at joint(s) 32, 17, 31, 30, 29, 28, 27, 25, 24, 23, 22, 21, 20, 19, 18

FORCES. (lb) - Max. Comp./Max. Ten. - All forces 250 (lb) or less except when shown.

- NOTES-**
- 1) All plates are 1.5x3 MT20 unless otherwise indicated.
 - 2) Plates checked for a plus or minus 1 degree rotation about its center.
 - 3) Gable requires continuous bottom chord bearing.
 - 4) Truss to be fully sheathed from one face or securely braced against lateral movement (i.e. diagonal web).
 - 5) Gable studs spaced at 1-4-0 oc.
 - 6) This truss is designed in accordance with the 2015 International Residential Code sections R502.11.1 and R802.10.2 and referenced standard ANSI/TPI 1.
 - 7) Recommend 2x6 strongbacks, on edge, spaced at 10-0-0 oc and fastened to each truss with 3-10d (0.131" X 3") nails. Strongbacks to be attached to walls at their outer ends or restrained by other means.
 - 8) CAUTION, Do not erect truss backwards.



December 9, 2021

WARNING - Verify design parameters and READ NOTES ON THIS AND INCLUDED MITEK REFERENCE PAGE MII-7473 rev. 5/19/2020 BEFORE USE.
Design valid for use only with MiTek® connectors. This design is based only upon parameters shown, and is for an individual building component, not a truss system. Before use, the building designer must verify the applicability of design parameters and properly incorporate this design into the overall building design. Bracing indicated is to prevent buckling of individual truss web and/or chord members only. Additional temporary and permanent bracing is always required for stability and to prevent collapse with possible personal injury and property damage. For general guidance regarding the fabrication, storage, delivery, erection and bracing of trusses and truss systems, see **ANSI/TPI1 Quality Criteria, DSB-89 and BCSI Building Component Safety Information** available from Truss Plate Institute, 2670 Crain Highway, Suite 203 Waldorf, MD 20601

818 Soundside Road
Edenton, NC 27932

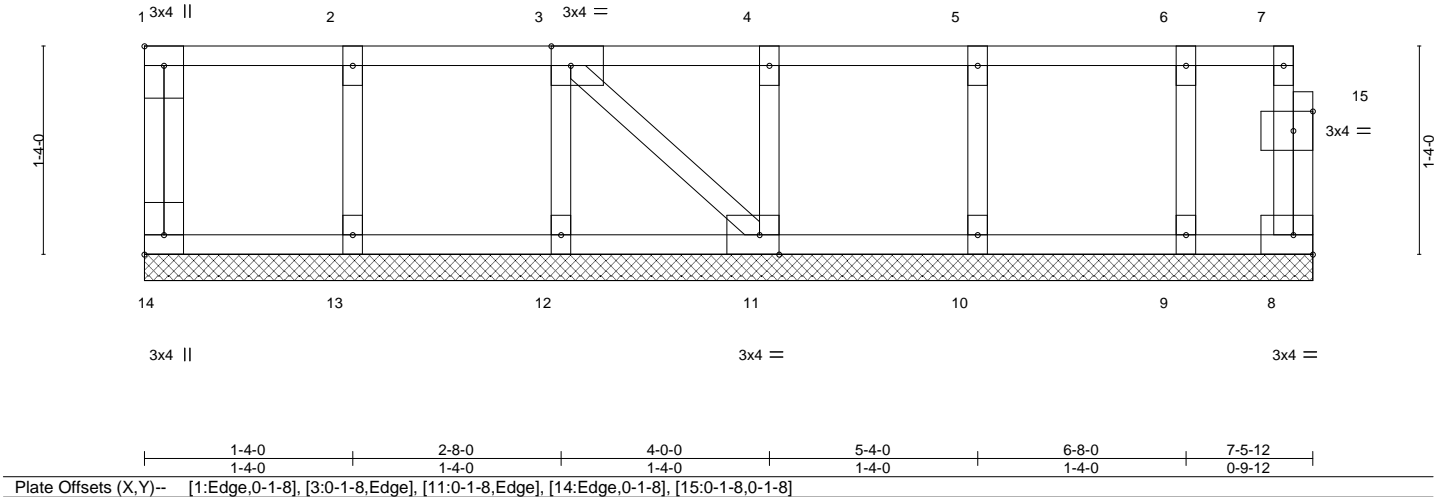
Job J0122-0373	Truss ET3	Truss Type GABLE	Qty 1	Ply 1	Lot 7 Mitchell Manor II	E16477194
-------------------	--------------	---------------------	----------	----------	-------------------------	-----------

Comtech, Inc, Fayetteville, NC - 28314,

8.430 s Aug 16 2021 MiTek Industries, Inc. Thu Dec 9 07:37:44 2021 Page 1
ID:14HRAT3eIT9qoRIdAoEs_5z0Axy-VqqJXVRDjJqMYWN5LdgleOFm?2dvzXsUdgaVhDyAmHL

0-1-8

Scale = 1:13.9



LOADING (psf)	SPACING-	CSI.	DEFL.	in (loc)	l/defl	L/d	PLATES	GRIP
TCLL 40.0	2-0-0	TC 0.06	Vert(LL)	n/a	-	n/a	MT20	244/190
TCDL 10.0	Plate Grip DOL 1.00	BC 0.01	Vert(CT)	n/a	-	n/a		
BCLL 0.0	Lumber DOL 1.00	WB 0.03	Horz(CT)	0.00	8	n/a		
BCDL 5.0	Rep Stress Incr YES	Matrix-P					Weight: 39 lb	FT = 20%F, 11%E
	Code IRC2015/TPI2014							

LUMBER-
TOP CHORD 2x4 SP No.1 (flat)
BOT CHORD 2x4 SP No.1 (flat)
WEBS 2x4 SP No.3 (flat)
OTHERS 2x4 SP No.3 (flat)

BRACING-
TOP CHORD Structural wood sheathing directly applied or 6-0-0 oc purlins, except end verticals.
BOT CHORD Rigid ceiling directly applied or 10-0-0 oc bracing.

REACTIONS. All bearings 7-5-12.
(lb) - Max Grav All reactions 250 lb or less at joint(s) 14, 8, 13, 12, 11, 10, 9


FORCES. (lb) - Max. Comp./Max. Ten. - All forces 250 (lb) or less except when shown.

- NOTES-**
- 1) All plates are 1.5x3 MT20 unless otherwise indicated.
 - 2) Plates checked for a plus or minus 1 degree rotation about its center.
 - 3) Gable requires continuous bottom chord bearing.
 - 4) Truss to be fully sheathed from one face or securely braced against lateral movement (i.e. diagonal web).
 - 5) Gable studs spaced at 1-4-0 oc.
 - 6) This truss is designed in accordance with the 2015 International Residential Code sections R502.11.1 and R802.10.2 and referenced standard ANSI/TPI 1.
 - 7) Recommend 2x6 strongbacks, on edge, spaced at 10-0-0 oc and fastened to each truss with 3-10d (0.131" X 3") nails. Strongbacks to be attached to walls at their outer ends or restrained by other means.
 - 8) CAUTION, Do not erect truss backwards.



December 9, 2021

WARNING - Verify design parameters and READ NOTES ON THIS AND INCLUDED MITEK REFERENCE PAGE MII-7473 rev. 5/19/2020 BEFORE USE.
Design valid for use only with MiTek® connectors. This design is based only upon parameters shown, and is for an individual building component, not a truss system. Before use, the building designer must verify the applicability of design parameters and properly incorporate this design into the overall building design. Bracing indicated is to prevent buckling of individual truss web and/or chord members only. Additional temporary and permanent bracing is always required for stability and to prevent collapse with possible personal injury and property damage. For general guidance regarding the fabrication, storage, delivery, erection and bracing of trusses and truss systems, see **ANSI/TPI1 Quality Criteria, DSB-89 and BCSI Building Component Safety Information** available from Truss Plate Institute, 2670 Crain Highway, Suite 203 Waldorf, MD 20601



818 Soundside Road
Edenton, NC 27932

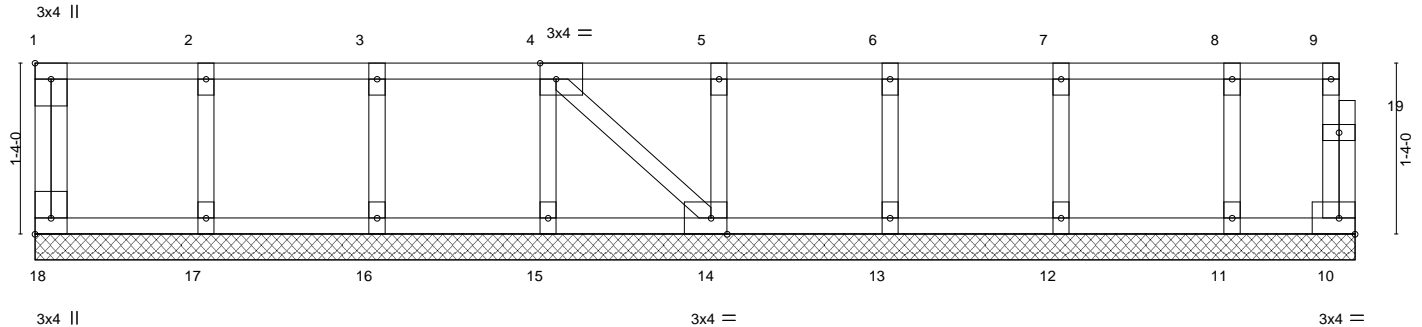
Job J0122-0373	Truss ET4	Truss Type GABLE	Qty 1	Ply 1	Lot 7 Mitchell Manor II Job Reference (optional)	E16477195
-------------------	--------------	---------------------	----------	----------	---	-----------

Comtech, Inc, Fayetteville, NC - 28314,

8.430 s Aug 16 2021 MiTek Industries, Inc. Thu Dec 9 07:37:44 2021 Page 1
ID:14HRAT3elT9qoRldAoEs_5z0Axy-VqqJXVRDjJqMYWN5LdgleOFm?2dvzXsUdgaVhDyAmHL

0,1-8

Scale = 1:16.9



1-4-0	2-8-0	4-0-0	5-4-0	6-8-0	8-0-0	9-4-0	10-3-8
1-4-0	1-4-0	1-4-0	1-4-0	1-4-0	1-4-0	1-4-0	0-11-8
Plate Offsets (X,Y)-- [1:Edge,0-1-8], [4:0-1-8,Edge], [14:0-1-8,Edge], [18:Edge,0-1-8]							

LOADING (psf)	SPACING-	CSI.	DEFL.	in (loc)	l/defl	L/d	PLATES	GRIP	
TCLL 40.0	Plate Grip DOL 1.00	TC 0.06	Vert(LL)	n/a	-	n/a	999	MT20	244/190
TCDL 10.0	Lumber DOL 1.00	BC 0.01	Vert(CT)	n/a	-	n/a	999		
BCLL 0.0	Rep Stress Incr YES	WB 0.03	Horz(CT)	0.00	10	n/a	n/a		
BCDL 5.0	Code IRC2015/TPI2014	Matrix-S							
							Weight: 50 lb	FT = 20%F, 11%E	

LUMBER-	BRACING-
TOP CHORD 2x4 SP No.1 (flat)	TOP CHORD Structural wood sheathing directly applied or 6-0-0 oc purlins, except end verticals.
BOT CHORD 2x4 SP No.1 (flat)	BOT CHORD Rigid ceiling directly applied or 10-0-0 oc bracing.
WEBS 2x4 SP No.3 (flat)	
OTHERS 2x4 SP No.3 (flat)	

REACTIONS. All bearings 10-3-8.
(lb) - Max Grav All reactions 250 lb or less at joint(s) 18, 10, 17, 16, 15, 14, 13, 12, 11


FORCES. (lb) - Max. Comp./Max. Ten. - All forces 250 (lb) or less except when shown.

- NOTES-**
- 1) All plates are 1.5x3 MT20 unless otherwise indicated.
 - 2) Plates checked for a plus or minus 1 degree rotation about its center.
 - 3) Gable requires continuous bottom chord bearing.
 - 4) Truss to be fully sheathed from one face or securely braced against lateral movement (i.e. diagonal web).
 - 5) Gable studs spaced at 1-4-0 oc.
 - 6) This truss is designed in accordance with the 2015 International Residential Code sections R502.11.1 and R802.10.2 and referenced standard ANSI/TPI 1.
 - 7) Recommend 2x6 strongbacks, on edge, spaced at 10-0-0 oc and fastened to each truss with 3-10d (0.131" X 3") nails. Strongbacks to be attached to walls at their outer ends or restrained by other means.
 - 8) CAUTION, Do not erect truss backwards.



December 9, 2021

WARNING - Verify design parameters and READ NOTES ON THIS AND INCLUDED MITEK REFERENCE PAGE MII-7473 rev. 5/19/2020 BEFORE USE.
Design valid for use only with MiTek® connectors. This design is based only upon parameters shown, and is for an individual building component, not a truss system. Before use, the building designer must verify the applicability of design parameters and properly incorporate this design into the overall building design. Bracing indicated is to prevent buckling of individual truss web and/or chord members only. Additional temporary and permanent bracing is always required for stability and to prevent collapse with possible personal injury and property damage. For general guidance regarding the fabrication, storage, delivery, erection and bracing of trusses and truss systems, see **ANSI/TPI1 Quality Criteria, DSB-89 and BCSI Building Component Safety Information** available from Truss Plate Institute, 2670 Crain Highway, Suite 203 Waldorf, MD 20601



818 Soundside Road
Edenton, NC 27932

Job J0122-0373	Truss ET5	Truss Type GABLE	Qty 1	Ply 1	Lot 7 Mitchell Manor II Job Reference (optional)	E16477196
-------------------	--------------	---------------------	----------	----------	---	-----------

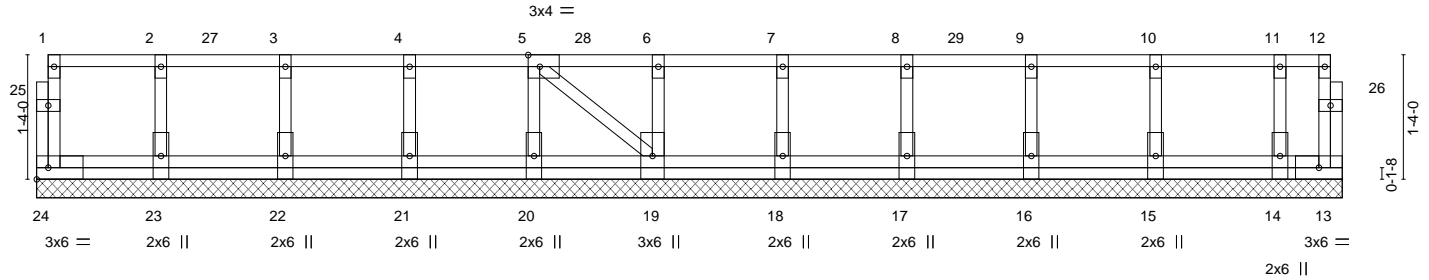
Comtech, Inc, Fayetteville, NC - 28314,

8.430 s Aug 16 2021 MiTek Industries, Inc. Thu Dec 9 07:37:45 2021 Page 1
ID:l4HRAT3eT9qRIdAoEs_5z0Axy-z0OhkrSrUdyD9gyIvLBXAbnwsSzCi_rdrJK3EfyAmHK

0-1/8

0-1/8

Scale = 1:23.3



1-4-0	2-8-0	4-0-0	5-4-0	6-8-0	8-0-0	9-4-0	10-8-0	12-0-0	13-4-0	14-0-0
1-4-0	1-4-0	1-4-0	1-4-0	1-4-0	1-4-0	1-4-0	1-4-0	1-4-0	1-4-0	0-8-0

Plate Offsets (X,Y)-- [5:0-1-8,Edge]										
LOADING (psf)	SPACING-	2-0-0	CSI.	DEFL.	in (loc)	l/defl	L/d	PLATES	GRIP	
TCLL 40.0	Plate Grip DOL	1.00	TC 0.12	Vert(LL)	n/a	-	n/a	999	MT20	244/190
TCDL 10.0	Lumber DOL	1.00	BC 0.00	Vert(CT)	n/a	-	n/a	999		
BCLL 0.0	Rep Stress Incr	YES	WB 0.05	Horz(CT)	0.00	13	n/a	n/a		
BCDL 5.0	Code IRC2015/TPI2014		Matrix-S							
									Weight: 84 lb	FT = 20%F, 11%E

LUMBER-	BRACING-	
TOP CHORD 2x4 SP No.1 (flat)	TOP CHORD	Structural wood sheathing directly applied or 6-0-0 oc purlins, except end verticals.
BOT CHORD 2x4 SP No.1 (flat)	BOT CHORD	Rigid ceiling directly applied or 6-0-0 oc bracing.
WEBS 2x4 SP No.3 (flat)		
OTHERS 2x4 SP No.3 (flat)		

REACTIONS. All bearings 14-0-0.
(lb) - Max Grav All reactions 250 lb or less at joint(s) 24, 23, 22, 21, 20, 19, 18, 17, 16, 15, 14

FORCES. (lb) - Max. Comp./Max. Ten. - All forces 250 (lb) or less except when shown.

- NOTES-**
- 1) All plates are 1.5x3 MT20 unless otherwise indicated.
 - 2) Plates checked for a plus or minus 1 degree rotation about its center.
 - 3) Gable requires continuous bottom chord bearing.
 - 4) Truss to be fully sheathed from one face or securely braced against lateral movement (i.e. diagonal web).
 - 5) Gable studs spaced at 1-4-0 oc.
 - 6) This truss is designed in accordance with the 2015 International Residential Code sections R502.11.1 and R802.10.2 and referenced standard ANSI/TPI 1.
 - 7) Recommend 2x6 strongbacks, on edge, spaced at 10-0-0 oc and fastened to each truss with 3-10d (0.131" X 3") nails. Strongbacks to be attached to walls at their outer ends or restrained by other means.

LOAD CASE(S) Standard

- 1) Dead + Floor Live (balanced): Lumber Increase=1.00, Plate Increase=1.00

Uniform Loads (plf)
Vert: 13-24=-10, 1-12=-100

Concentrated Loads (lb)
Vert: 4=-91 7=-91 10=-91 27=-91 28=-91 29=-91



December 9, 2021

Job J0122-0373	Truss F1	Truss Type Floor	Qty 6	Ply 1	Lot 7 Mitchell Manor II Job Reference (optional)	E16477197
-------------------	-------------	---------------------	----------	----------	---	-----------

Comtech, Inc, Fayetteville, NC - 28314,

8,430 s Aug 16 2021 MiTek Industries, Inc. Thu Dec 9 07:37:46 2021 Page 1
ID:I4HRAT3eIT9qRIdAoEs_5z0Axy-RCy4yATTFx44nqXUT2imjoK?ts9hRkKn4z3cm5yAmHJ

0-1-8



Scale = 1:29.2

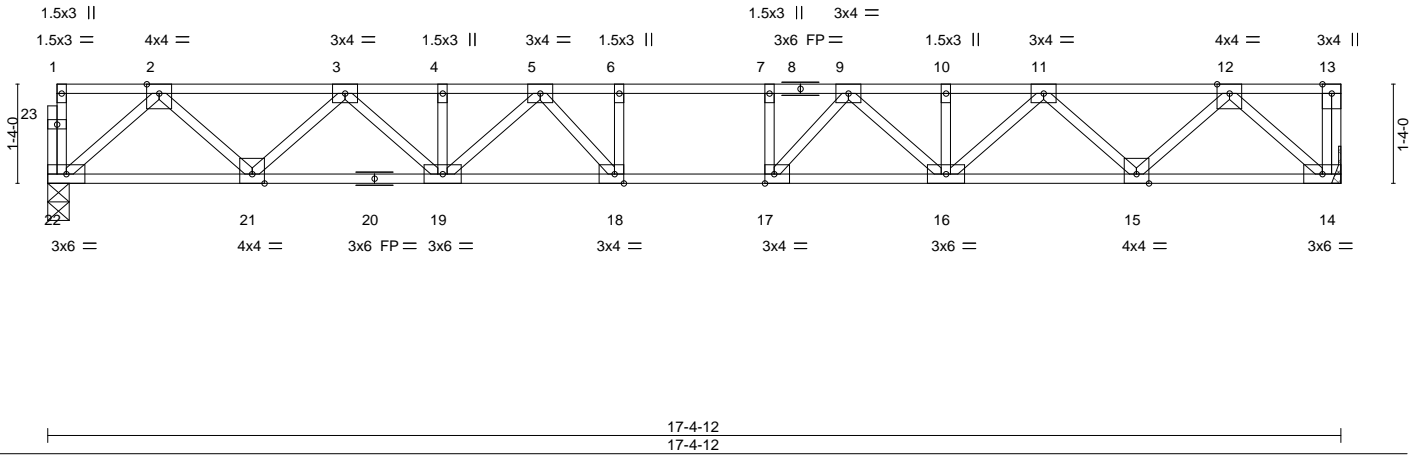


Plate Offsets (X,Y)-- [17:0-1-8,Edge], [18:0-1-8,Edge]

LOADING (psf)	SPACING-	CSI.	DEFL.	in (loc)	l/defl	L/d	PLATES	GRIP	
TCLL 40.0	2-0-0 Plate Grip DOL 1.00	TC 0.48	Vert(LL)	-0.19	17-18	>999	480	MT20	244/190
TCDL 10.0	Lumber DOL 1.00	BC 0.69	Vert(CT)	-0.26	17-18	>777	360		
BCLL 0.0	Rep Stress Incr YES	WB 0.46	Horz(CT)	0.06	14	n/a	n/a		
BCDL 5.0	Code IRC2015/TPI2014	Matrix-S							
								Weight: 93 lb	FT = 20%F, 11%E

LUMBER-
TOP CHORD 2x4 SP No.1 (flat)
BOT CHORD 2x4 SP No.1 (flat)
WEBS 2x4 SP No.3 (flat)

BRACING-
TOP CHORD Structural wood sheathing directly applied or 6-0-0 oc purlins, except end verticals.
BOT CHORD Rigid ceiling directly applied or 10-0-0 oc bracing.

REACTIONS. (size) 22=0-3-8, 14=Mechanical
Max Grav 22=937(LC 1), 14=943(LC 1)

FORCES. (lb) - Max. Comp./Max. Ten. - All forces 250 (lb) or less except when shown.
TOP CHORD 2-3=-1705/0, 3-4=-2823/0, 4-5=-2823/0, 5-6=-3312/0, 6-7=-3312/0, 7-9=-3312/0,
9-10=-2823/0, 10-11=-2823/0, 11-12=-1705/0
BOT CHORD 21-22=0/1015, 19-21=0/2365, 18-19=0/3144, 17-18=0/3312, 16-17=0/3144, 15-16=0/2365,
14-15=0/1016
WEBS 2-22=-1349/0, 2-21=0/960, 3-21=-918/0, 3-19=0/622, 5-19=-436/0, 12-14=-1352/0,
12-15=0/959, 11-15=-918/0, 11-16=0/623, 9-16=-436/0, 9-17=-86/552, 7-17=-313/5,
5-18=-86/552, 6-18=-313/5

- NOTES-**
- Unbalanced floor live loads have been considered for this design.
 - Plates checked for a plus or minus 1 degree rotation about its center.
 - Refer to girder(s) for truss to truss connections.
 - This truss is designed in accordance with the 2015 International Residential Code sections R502.11.1 and R802.10.2 and referenced standard ANSI/TPI 1.
 - Recommend 2x6 strongbacks, on edge, spaced at 10-0-0 oc and fastened to each truss with 3-10d (0.131" X 3") nails. Strongbacks to be attached to walls at their outer ends or restrained by other means.
 - CAUTION, Do not erect truss backwards.



December 9, 2021

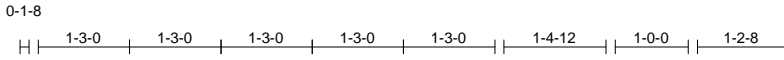
WARNING - Verify design parameters and READ NOTES ON THIS AND INCLUDED MITEK REFERENCE PAGE MII-7473 rev. 5/19/2020 BEFORE USE.
Design valid for use only with MiTek® connectors. This design is based only upon parameters shown, and is for an individual building component, not a truss system. Before use, the building designer must verify the applicability of design parameters and properly incorporate this design into the overall building design. Bracing indicated is to prevent buckling of individual truss web and/or chord members only. Additional temporary and permanent bracing is always required for stability and to prevent collapse with possible personal injury and property damage. For general guidance regarding the fabrication, storage, delivery, erection and bracing of trusses and truss systems, see **ANSI/TPI1 Quality Criteria, DSB-89 and BCSI Building Component Safety Information** available from Truss Plate Institute, 2670 Crain Highway, Suite 203 Waldorf, MD 20601



818 Soundside Road
Edenton, NC 27932

Job J0122-0373	Truss F1A	Truss Type Floor	Qty 1	Ply 1	Lot 7 Mitchell Manor II	E16477198
-------------------	--------------	---------------------	----------	----------	-------------------------	-----------

Comtech, Inc, Fayetteville, NC - 28314, 8.430 s Aug 16 2021 MiTek Industries, Inc. Thu Dec 9 07:37:47 2021 Page 1
 ID:I4HRAT3eIT9qoRIdAoEs_5z0Axy-vOWS9WU60ECxPz6g1IE?F0t7fGU4AkFwJdpAIYyAmHI



Scale = 1:29.7

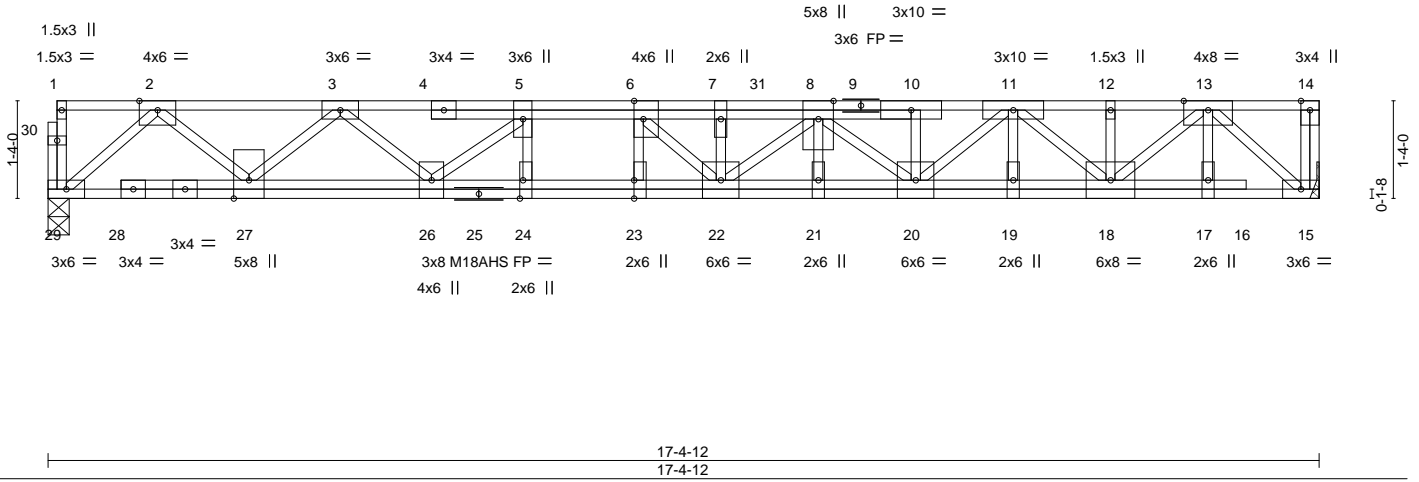


Plate Offsets (X,Y)-- [6:0-3-0,Edge], [23:0-3-0,Edge], [24:0-3-0,Edge]

LOADING (psf)	SPACING-	CS.I.	DEFL.	in (loc)	I/defl	L/d	PLATES	GRIP
TCLL 40.0	Plate Grip DOL 1.00	TC 0.67	Vert(LL) -0.20	22-23	>999	480	MT20	244/190
TCDL 10.0	Lumber DOL 1.00	BC 0.74	Vert(CT) -0.28	22-23	>739	360	M18AHS	186/179
BCLL 0.0	Rep Stress Incr NO	WB 0.69	Horz(CT) 0.05	15	n/a	n/a		
BCDL 5.0	Code IRC2015/TPI2014	Matrix-S						
							Weight: 128 lb	FT = 20%F, 11%E

LUMBER-
 TOP CHORD 2x4 SP No.1 (flat)
 BOT CHORD 2x4 SP No.1 (flat)
 WEBS 2x4 SP No.3 (flat)

BRACING-
 TOP CHORD Structural wood sheathing directly applied or 6-0-0 oc purlins, except end verticals.
 BOT CHORD Rigid ceiling directly applied or 10-0-0 oc bracing.

REACTIONS. (size) 29=0-3-8, 15=Mechanical
 Max Grav 29=1112(LC 1), 15=1169(LC 1)

FORCES. (lb) - Max. Comp./Max. Ten. - All forces 250 (lb) or less except when shown.
 TOP CHORD 2-3=-2171/0, 3-5=-3758/0, 5-6=-4691/0, 6-7=-5203/0, 7-8=-5203/0, 8-10=-4093/0, 10-11=-4088/0, 11-12=-2410/0, 12-13=-2410/0
 BOT CHORD 27-29=0/1244, 26-27=0/3037, 24-26=0/4691, 23-24=0/4691, 22-23=0/4691, 21-22=0/4965, 20-21=0/4965, 19-20=0/3348, 18-19=0/3348, 17-18=0/1304, 15-17=0/1304
 WEBS 2-29=-1654/0, 2-27=0/1258, 3-27=-1174/0, 3-26=0/970, 5-26=-1275/0, 5-24=0/452, 13-15=-1725/0, 13-18=0/1458, 11-18=-1237/0, 11-20=0/976, 8-20=-1130/0, 8-22=0/394, 7-22=-541/0, 6-22=0/978, 6-23=-458/0

- NOTES-**
- Unbalanced floor live loads have been considered for this design.
 - All plates are MT20 plates unless otherwise indicated.
 - Plates checked for a plus or minus 1 degree rotation about its center.
 - Refer to girder(s) for truss to truss connections.
 - This truss is designed in accordance with the 2015 International Residential Code sections R502.11.1 and R802.10.2 and referenced standard ANSI/TPI 1.
 - Recommend 2x6 strongbacks, on edge, spaced at 10-0-0 oc and fastened to each truss with 3-10d (0.131" X 3") nails. Strongbacks to be attached to walls at their outer ends or restrained by other means.
 - CAUTION, Do not erect truss backwards.
 - Hanger(s) or other connection device(s) shall be provided sufficient to support concentrated load(s) 481 lb down at 9-9-4 on top chord. The design/selection of such connection device(s) is the responsibility of others.
 - In the LOAD CASE(S) section, loads applied to the face of the truss are noted as front (F) or back (B).

LOAD CASE(S) Standard
 1) Dead + Floor Live (balanced): Lumber Increase=1.00, Plate Increase=1.00
 Uniform Loads (plf)
 Vert: 15-29=-10, 1-14=-100
 Concentrated Loads (lb)
 Vert: 31=-401(F)



December 9, 2021

Job J0122-0373	Truss F2	Truss Type Floor	Qty 7	Ply 1	Lot 7 Mitchell Manor II	E16477199
-------------------	-------------	---------------------	----------	----------	-------------------------	-----------

Comtech, Inc, Fayetteville, NC - 28314,

8.430 s Aug 16 2021 MiTek Industries, Inc. Thu Dec 9 07:37:48 2021 Page 1
ID:14HRAT3eIT9qoRldAoEs_5z0Axy-Ob4qNsVknYK007htaTIEoDPJ7fpwvEp4XHYjq_yAmHH

Job Reference (optional)

1-3-0

2-1-0

0-1-8

Scale = 1:30.3

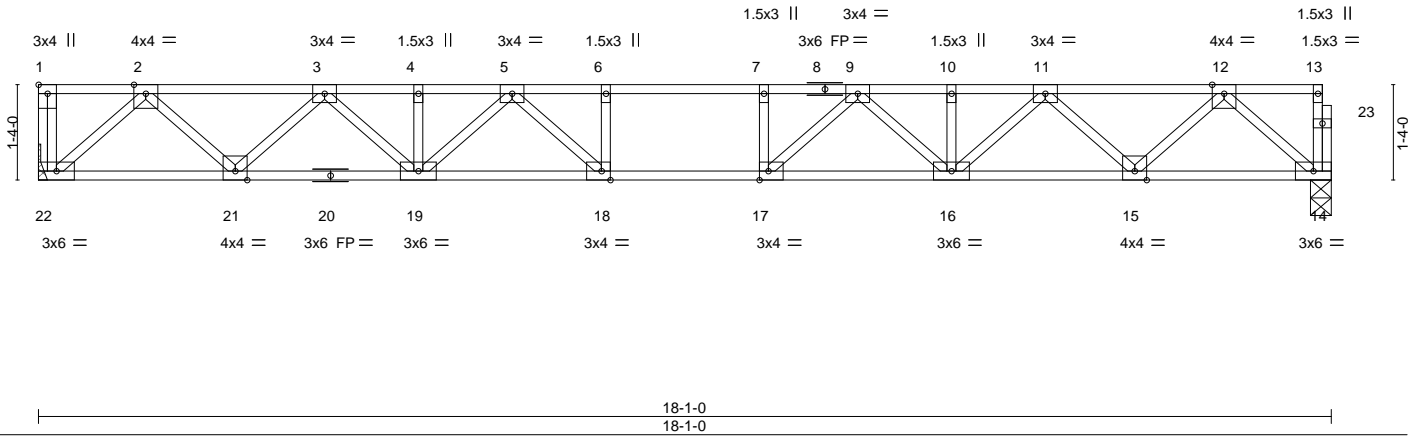


Plate Offsets (X,Y)-- [1:Edge,0-1-8], [17:0-1-8,Edge], [18:0-1-8,Edge]

LOADING (psf)	SPACING-	CS.I.	DEFL.	VERTICALS	PLATES	GRIP
TCLL 40.0	2-0-0	TC 0.56	in (loc) l/defl L/d	Vert(LL) -0.22 17-18 >956 480	MT20	244/190
TCDL 10.0	Plate Grip DOL 1.00	BC 0.77	Vert(CT) -0.31 17-18 >695 360	Horz(CT) 0.06 14 n/a n/a		
BCLL 0.0	Lumber DOL 1.00	WB 0.48				
BCDL 5.0	Rep Stress Incr YES	Matrix-S			Weight: 96 lb	FT = 20%F, 11%E
	Code IRC2015/TPI2014					

LUMBER-
TOP CHORD 2x4 SP No.1 (flat)
BOT CHORD 2x4 SP No.1 (flat)
WEBS 2x4 SP No.3 (flat)

BRACING-
TOP CHORD Structural wood sheathing directly applied or 6-0-0 oc purlins, except end verticals.
BOT CHORD Rigid ceiling directly applied or 10-0-0 oc bracing.

REACTIONS. (size) 22=Mechanical, 14=0-3-8
Max Grav 22=981(LC 1), 14=975(LC 1)

FORCES. (lb) - Max. Comp./Max. Ten. - All forces 250 (lb) or less except when shown.
TOP CHORD 2-3=-1787/0, 3-4=-2985/0, 4-5=-2985/0, 5-6=-3581/0, 6-7=-3581/0, 7-9=-3581/0, 9-10=-2985/0, 10-11=-2985/0, 11-12=-1787/0
BOT CHORD 21-22=0/1058, 19-21=0/2486, 18-19=0/3347, 17-18=0/3581, 16-17=0/3347, 15-16=0/2486, 14-15=0/1058
WEBS 2-22=-1409/0, 2-21=0/1013, 3-21=-972/0, 3-19=0/678, 5-19=-492/0, 5-18=-55/627, 6-18=-316/0, 12-14=-1406/0, 12-15=0/1014, 11-15=-973/0, 11-16=0/678, 9-16=-492/0, 9-17=-55/627, 7-17=-316/0

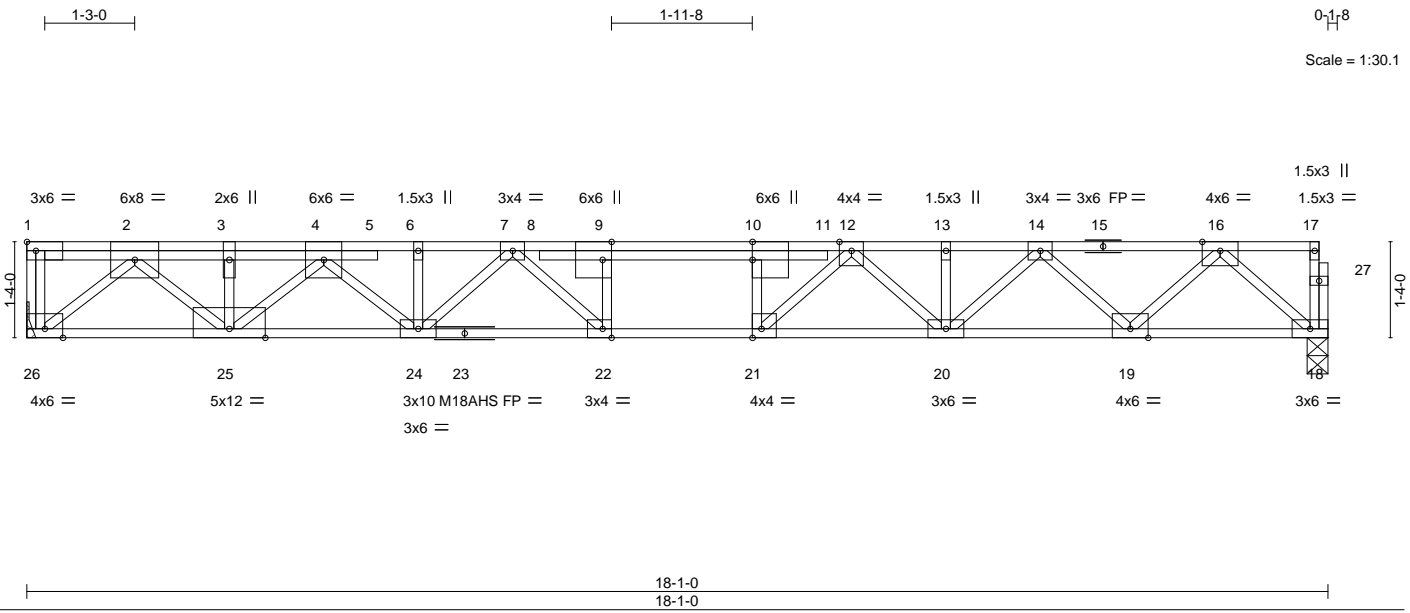
- NOTES-**
- Unbalanced floor live loads have been considered for this design.
 - Plates checked for a plus or minus 1 degree rotation about its center.
 - Refer to girder(s) for truss to truss connections.
 - This truss is designed in accordance with the 2015 International Residential Code sections R502.11.1 and R802.10.2 and referenced standard ANSI/TPI 1.
 - Recommend 2x6 strongbacks, on edge, spaced at 10-0-0 oc and fastened to each truss with 3-10d (0.131" X 3") nails. Strongbacks to be attached to walls at their outer ends or restrained by other means.
 - CAUTION, Do not erect truss backwards.



December 9, 2021

Job J0122-0373	Truss F2A	Truss Type Floor	Qty 1	Ply 1	Lot 7 Mitchell Manor II	E16477200
-------------------	--------------	---------------------	----------	----------	-------------------------	-----------

Comtech, Inc, Fayetteville, NC - 28314, 8.430 s Aug 16 2021 MiTek Industries, Inc. Thu Dec 9 07:37:48 2021 Page 1
 ID:14HRAT3elT9qoRIdAoEs_5z0Axy-Ob4qNsVknYKo07htaTIEoDPJefnlv704XHYjq_yAmHH



LOADING (psf)	SPACING-	CSI.	DEFL.	PLATES	GRIP
TCLL 40.0	2-0-0	TC 0.53	in (loc) l/defl L/d	MT20	244/190
TCDL 10.0	Plate Grip DOL 1.00	BC 0.94	Vert(LL) -0.25 22 >845 480	M18AHS	186/179
BCLL 0.0	Lumber DOL 1.00	WB 0.92	Vert(CT) -0.35 22 >610 360		
BCDL 5.0	Rep Stress Incr NO	Matrix-S	Horz(CT) 0.08 18 n/a n/a		
	Code IRC2015/TPI2014			Weight: 109 lb	FT = 20%F, 11%E

LUMBER-
 TOP CHORD 2x4 SP No.1 (flat)
 BOT CHORD 2x4 SP No.1 (flat)
 WEBS 2x4 SP No.3 (flat)

BRACING-
 TOP CHORD Structural wood sheathing directly applied or 5-10-1 oc purlins, except end verticals.
 BOT CHORD Rigid ceiling directly applied or 10-0-0 oc bracing.

REACTIONS. (size) 26=Mechanical, 18=0-3-8
 Max Grav 26=1498(LC 1), 18=1066(LC 1)

FORCES. (lb) - Max. Comp./Max. Ten. - All forces 250 (lb) or less except when shown.
 TOP CHORD 2-3=-3150/0, 3-4=-3150/0, 4-6=-3973/0, 6-7=-3970/0, 7-9=-4445/0, 9-10=-4442/0,
 10-12=-4454/0, 12-13=-3379/0, 13-14=-3379/0, 14-16=-1986/0
 BOT CHORD 25-26=0/1698, 24-25=0/3684, 22-24=0/4215, 21-22=0/4442, 20-21=0/3824, 19-20=0/2777,
 18-19=0/1162
 WEBS 2-26=-2210/0, 2-25=0/1927, 3-25=-776/0, 4-25=-709/0, 4-24=0/380, 16-18=-1545/0,
 16-19=0/1145, 14-19=-1101/0, 14-20=0/818, 12-20=-605/0, 12-21=0/1075, 10-21=-658/0,
 7-24=-333/0, 7-22=-126/529, 9-22=-328/61

- NOTES-**
- 1) Unbalanced floor live loads have been considered for this design.
 - 2) All plates are MT20 plates unless otherwise indicated.
 - 3) Plates checked for a plus or minus 1 degree rotation about its center.
 - 4) Refer to girder(s) for truss to truss connections.
 - 5) This truss is designed in accordance with the 2015 International Residential Code sections R502.11.1 and R802.10.2 and referenced standard ANSI/TPI 1.
 - 6) Recommend 2x6 strongbacks, on edge, spaced at 10-0-0 oc and fastened to each truss with 3-10d (0.131" X 3") nails. Strongbacks to be attached to walls at their outer ends or restrained by other means.
 - 7) CAUTION, Do not erect truss backwards.
 - 8) Hanger(s) or other connection device(s) shall be provided sufficient to support concentrated load(s) 689 lb down at 2-6-4 on top chord. The design/selection of such connection device(s) is the responsibility of others.
 - 9) In the LOAD CASE(S) section, loads applied to the face of the truss are noted as front (F) or back (B).

LOAD CASE(S) Standard
 1) Dead + Floor Live (balanced): Lumber Increase=1.00, Plate Increase=1.00
 Uniform Loads (plf)
 Vert: 18-26=-10, 1-17=-100
 Concentrated Loads (lb)
 Vert: 3=-609(F)



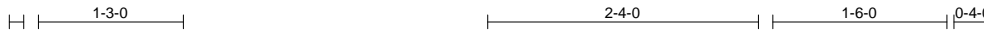
December 9, 2021

Job J0122-0373	Truss F3	Truss Type Floor	Qty 2	Ply 1	Lot 7 Mitchell Manor II Job Reference (optional)	E16477201
-------------------	-------------	---------------------	----------	----------	---	-----------

Comtech, Inc, Fayetteville, NC - 28314,

8,430 s Aug 16 2021 MiTek Industries, Inc. Thu Dec 9 07:37:49 2021 Page 1
ID:I4HRAT3eIT9qoRldAoEs_5z0Axy-sneCaCVMYsSeeHG38AGTLRyXF3DqekmDmxIGNQyAmHG

0-1-8



Scale = 1:18.7

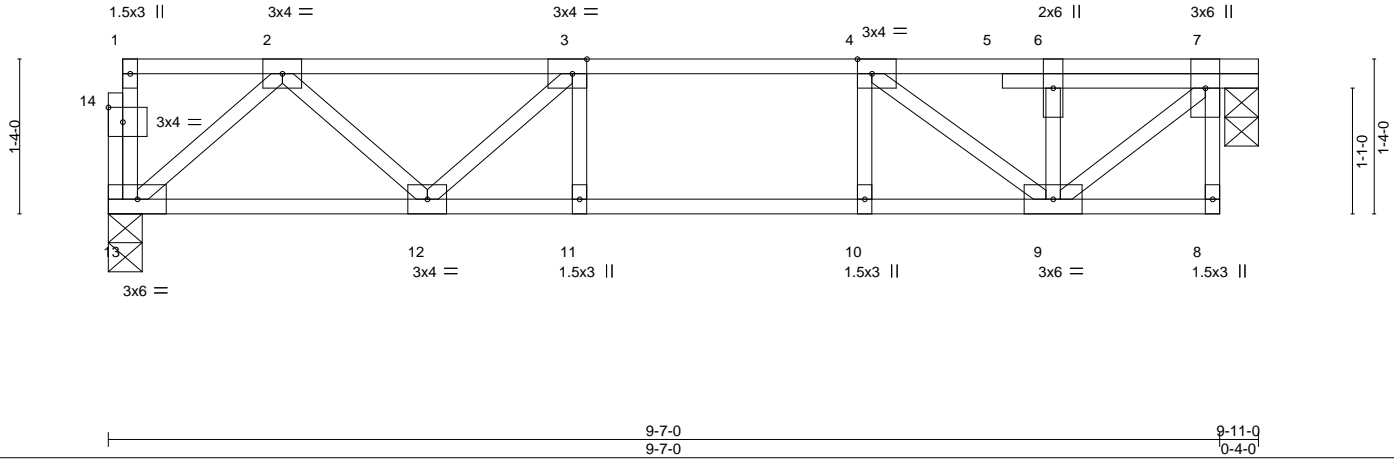


Plate Offsets (X,Y)--	[3:0-1-8,Edge], [4:0-1-8,Edge], [14:0-1-8,0-1-8]
-----------------------	--

LOADING (psf)	SPACING-	CSI.	DEFL.	in (loc)	I/defl	L/d	PLATES	GRIP	
TCLL 40.0	Plate Grip DOL 1.00	TC 0.35	Vert(LL)	-0.07	11	>999	480	MT20	244/190
TCDL 10.0	Lumber DOL 1.00	BC 0.47	Vert(CT)	-0.09	11	>999	360		
BCLL 0.0	Rep Stress Incr YES	WB 0.31	Horz(CT)	0.02	7	n/a	n/a		
BCDL 5.0	Code IRC2015/TPI2014	Matrix-S							
							Weight: 54 lb	FT = 20%F, 11%E	

LUMBER-	BRACING-
TOP CHORD 2x4 SP No.1 (flat)	TOP CHORD Structural wood sheathing directly applied or 6-0-0 oc purlins, except end verticals.
BOT CHORD 2x4 SP No.1 (flat)	BOT CHORD Rigid ceiling directly applied or 10-0-0 oc bracing.
WEBS 2x4 SP No.3 (flat)	

REACTIONS. (size) 13=0-3-8, 7=0-3-8
Max Grav 13=511(LC 1), 7=517(LC 1)

FORCES. (lb) - Max. Comp./Max. Ten. - All forces 250 (lb) or less except when shown.
TOP CHORD 2-3=-781/0, 3-4=-965/0, 4-6=-499/0, 6-7=-499/0
BOT CHORD 12-13=0/541, 11-12=0/965, 10-11=0/965, 9-10=0/965
WEBS 7-9=0/649, 2-13=-718/0, 2-12=0/334, 3-12=-307/0, 4-9=-640/0

- NOTES-**
- 1) Unbalanced floor live loads have been considered for this design.
 - 2) Plates checked for a plus or minus 1 degree rotation about its center.
 - 3) This truss is designed in accordance with the 2015 International Residential Code sections R502.11.1 and R802.10.2 and referenced standard ANSI/TPI 1.
 - 4) Recommend 2x6 strongbacks, on edge, spaced at 10-0-0 oc and fastened to each truss with 3-10d (0.131" X 3") nails. Strongbacks to be attached to walls at their outer ends or restrained by other means.
 - 5) Gap between inside of top chord bearing and first diagonal or vertical web shall not exceed 0.500in.
 - 6) CAUTION, Do not erect truss backwards.



December 9, 2021

WARNING - Verify design parameters and READ NOTES ON THIS AND INCLUDED MITEK REFERENCE PAGE MII-7473 rev. 5/19/2020 BEFORE USE.
Design valid for use only with MiTek® connectors. This design is based only upon parameters shown, and is for an individual building component, not a truss system. Before use, the building designer must verify the applicability of design parameters and properly incorporate this design into the overall building design. Bracing indicated is to prevent buckling of individual truss web and/or chord members only. Additional temporary and permanent bracing is always required for stability and to prevent collapse with possible personal injury and property damage. For general guidance regarding the fabrication, storage, delivery, erection and bracing of trusses and truss systems, see **ANSI/TPI1 Quality Criteria, DSB-89 and BCSI Building Component Safety Information** available from Truss Plate Institute, 2670 Crain Highway, Suite 203 Waldorf, MD 20601

818 Soundside Road
Edenton, NC 27932

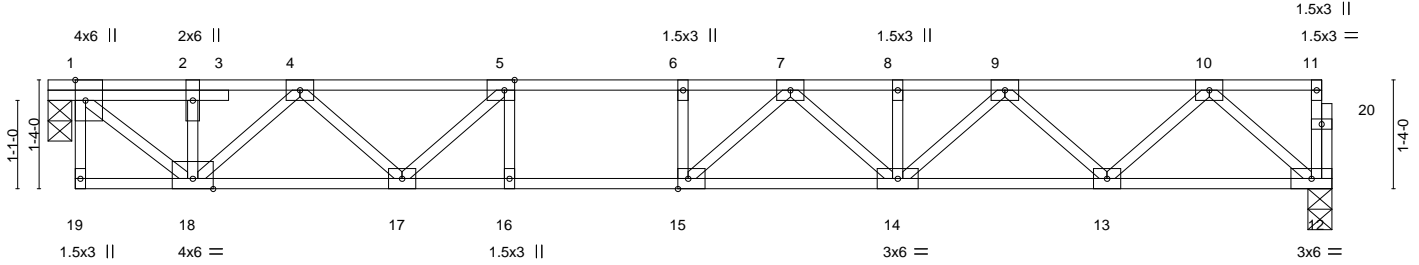
Job J0122-0373	Truss F4	Truss Type Floor	Qty 2	Ply 1	Lot 7 Mitchell Manor II Job Reference (optional)	E16477202
-------------------	-------------	---------------------	----------	----------	---	-----------

Comtech, Inc, Fayetteville, NC - 28314,

8.430 s Aug 16 2021 MiTek Industries, Inc. Thu Dec 9 07:37:50 2021 Page 1
ID:I4HRAT3eIT9qoRIdAoEs_5z0Axy-KzCaoYW_J9aVGRrFiuniteVdATSnN77N?b1qvsyAmHF



0-1-8
Scale = 1:26.5



0-4-0 0-4-0	15-8-8 15-4-8
Plate Offsets (X,Y)-- [1:0-3-0,Edge], [5:0-1-8,Edge], [15:0-1-8,Edge]	

LOADING (psf)	SPACING-	2-0-0	CSI.	DEFL.	in (loc)	l/defl	L/d	PLATES	GRIP
TCLL 40.0	Plate Grip DOL	1.00	TC 0.66	Vert(LL)	-0.21 14-15	>856	480	MT20	244/190
TCDL 10.0	Lumber DOL	1.00	BC 0.94	Vert(CT)	-0.28 14-15	>640	360		
BCLL 0.0	Rep Stress Incr	YES	WB 0.56	Horz(CT)	0.02 12	n/a	n/a		
BCDL 5.0	Code IRC2015/TPI2014		Matrix-S					Weight: 84 lb	FT = 20%F, 11%E

LUMBER-	BRACING-
TOP CHORD 2x4 SP No.1 (flat)	TOP CHORD Structural wood sheathing directly applied or 6-0-0 oc purlins, except end verticals.
BOT CHORD 2x4 SP No.1 (flat)	BOT CHORD Rigid ceiling directly applied or 10-0-0 oc bracing, Except: 2-2-0 oc bracing: 15-16.
WEBS 2x4 SP No.3 (flat)	

REACTIONS. (size) 12=0-3-8, 1=0-3-8
Max Grav 12=829(LC 1), 1=835(LC 1)

FORCES. (lb) - Max. Comp./Max. Ten. - All forces 250 (lb) or less except when shown.
TOP CHORD 1-2=-900/0, 2-4=-903/0, 4-5=-1988/0, 5-6=-2524/0, 6-7=-2524/0, 7-8=-2371/0, 8-9=-2371/0, 9-10=-1469/0
BOT CHORD 17-18=0/1531, 16-17=0/2524, 15-16=0/2524, 14-15=0/2568, 13-14=0/2027, 12-13=0/891
WEBS 1-18=0/1172, 4-18=-857/0, 4-17=0/636, 5-17=-794/0, 10-12=-1184/0, 10-13=0/804, 9-13=-776/0, 9-14=0/468, 7-14=-279/0, 7-15=-258/302

- NOTES-**
- 1) Unbalanced floor live loads have been considered for this design.
 - 2) All plates are 3x4 MT20 unless otherwise indicated.
 - 3) Plates checked for a plus or minus 1 degree rotation about its center.
 - 4) This truss is designed in accordance with the 2015 International Residential Code sections R502.11.1 and R802.10.2 and referenced standard ANSI/TPI 1.
 - 5) Recommend 2x6 strongbacks, on edge, spaced at 10-0-0 oc and fastened to each truss with 3-10d (0.131" X 3") nails. Strongbacks to be attached to walls at their outer ends or restrained by other means.
 - 6) Gap between inside of top chord bearing and first diagonal or vertical web shall not exceed 0.500in.
 - 7) CAUTION, Do not erect truss backwards.



December 9, 2021

WARNING - Verify design parameters and READ NOTES ON THIS AND INCLUDED MITEK REFERENCE PAGE MII-7473 rev. 5/19/2020 BEFORE USE.
Design valid for use only with MiTek® connectors. This design is based only upon parameters shown, and is for an individual building component, not a truss system. Before use, the building designer must verify the applicability of design parameters and properly incorporate this design into the overall building design. Bracing indicated is to prevent buckling of individual truss web and/or chord members only. Additional temporary and permanent bracing is always required for stability and to prevent collapse with possible personal injury and property damage. For general guidance regarding the fabrication, storage, delivery, erection and bracing of trusses and truss systems, see **ANSI/TPI1 Quality Criteria, DSB-89 and BCSI Building Component Safety Information** available from Truss Plate Institute, 2670 Crain Highway, Suite 203 Waldorf, MD 20601



818 Soundside Road
Edenton, NC 27932

Job J0122-0373	Truss F5	Truss Type Floor	Qty 3	Ply 1	Lot 7 Mitchell Manor II	E16477203
-------------------	-------------	---------------------	----------	----------	-------------------------	-----------

Comtech, Inc, Fayetteville, NC - 28314,

8,430 s Aug 16 2021 MiTek Industries, Inc. Thu Dec 9 07:37:51 2021 Page 1
ID:I4HRAT3elT9qoRIdAoEs_5z0Axy-oAmz?uXc4TiMtbPRGblxQs1lutqE6XTWFEFnRrJyAmHE

0-1-8



0-1-8
Scale = 1:61.1

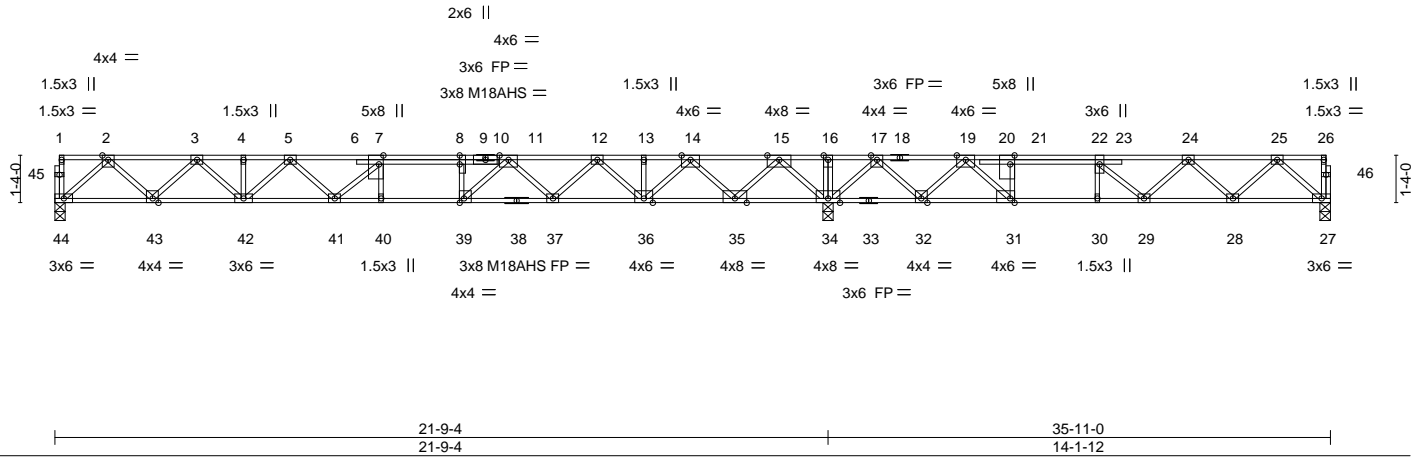


Plate Offsets (X,Y)--	[7:0-3-0,Edge], [8:0-3-0,0-0-0], [21:0-3-0,Edge], [31:0-1-8,Edge], [39:0-1-8,Edge]
-----------------------	--

LOADING (psf)	SPACING-	CSI.	DEFL.	in (loc)	l/defl	L/d	PLATES	GRIP
TCLL 40.0	Plate Grip DOL 1.00	TC 0.85	Vert(LL)	-0.32	39-40	>803	MT20	244/190
TCDL 10.0	Lumber DOL 1.00	BC 0.79	Vert(CT)	-0.44	39-40	>596	M18AHS	186/179
BCLL 0.0	Rep Stress Incr YES	WB 0.74	Horz(CT)	0.07	34	n/a		
BCDL 5.0	Code IRC2015/TPI2014	Matrix-S						
							Weight: 195 lb	FT = 20%F, 11%E

LUMBER-	BRACING-
TOP CHORD 2x4 SP No.1 (flat)	TOP CHORD Structural wood sheathing directly applied or 5-7-6 oc purlins, except end verticals.
BOT CHORD 2x4 SP No.1 (flat)	BOT CHORD Rigid ceiling directly applied or 6-0-0 oc bracing.
WEBS 2x4 SP No.3 (flat)	

REACTIONS. (size) 44=0-3-8, 34=0-3-8, 27=0-3-8
 Max Uplift 27=-31(LC 3)
 Max Grav 44=1028(LC 3), 34=2416(LC 1), 27=654(LC 4)

FORCES. (lb) - Max. Comp./Max. Ten. - All forces 250 (lb) or less except when shown.
TOP CHORD 2-3=-1903/0, 3-4=-3213/0, 4-5=-3213/0, 5-7=-3892/0, 7-8=-4134/0, 8-11=-4134/0, 11-12=-3071/0, 12-13=-1761/0, 13-14=-1761/0, 14-15=0/653, 15-16=0/3181, 16-17=0/3181, 17-19=-271/1913, 19-21=-1588/905, 21-22=-1572/905, 22-24=-1570/502, 24-25=-1099/141
BOT CHORD 43-44=0/1119, 42-43=0/2658, 41-42=0/3642, 40-41=0/4134, 39-40=0/4134, 37-39=0/3568, 36-37=0/2554, 35-36=-198/873, 34-35=-1705/0, 32-34=-2289/0, 31-32=-1519/881, 30-31=-905/1572, 29-30=-905/1572, 28-29=-233/1489, 27-28=-69/685
WEBS 2-44=-1487/0, 2-43=0/1091, 3-43=-1050/0, 3-42=0/755, 15-34=-1965/0, 15-35=0/1563, 14-35=-1537/0, 14-36=0/1242, 12-36=-1112/0, 12-37=0/751, 11-37=-728/0, 5-42=-583/0, 5-41=0/446, 7-41=-489/83, 11-39=0/1122, 8-39=-665/0, 17-34=-1477/0, 17-32=0/1061, 19-32=-1107/0, 19-31=0/1493, 25-27=-909/93, 25-28=-99/575, 24-28=-543/128, 24-29=-368/110, 22-29=-6/544, 21-31=-845/0

- NOTES-**
- 1) Unbalanced floor live loads have been considered for this design.
 - 2) All plates are MT20 plates unless otherwise indicated.
 - 3) All plates are 3x4 MT20 unless otherwise indicated.
 - 4) Plates checked for a plus or minus 1 degree rotation about its center.
 - 5) Provide mechanical connection (by others) of truss to bearing plate capable of withstanding 31 lb uplift at joint 27.
 - 6) This truss is designed in accordance with the 2015 International Residential Code sections R502.11.1 and R802.10.2 and referenced standard ANSI/TPI 1.
 - 7) Recommend 2x6 strongbacks, on edge, spaced at 10-0-0 oc and fastened to each truss with 3-10d (0.131" X 3") nails. Strongbacks to be attached to walls at their outer ends or restrained by other means.
 - 8) CAUTION, Do not erect truss backwards.



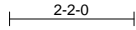
December 9, 2021

Job J0122-0373	Truss F6	Truss Type Floor	Qty 5	Ply 1	Lot 7 Mitchell Manor II	E16477204
-------------------	-------------	---------------------	----------	----------	-------------------------	-----------

Comtech, Inc, Fayetteville, NC - 28314,

8,430 s Aug 16 2021 MiTek Industries, Inc. Thu Dec 9 07:37:52 2021 Page 1
ID:I4HRAT3eIT9qoRIdAoEs_5z0Axy-GMJLCEYErnqDVL_epJpAy3a25HDSr?JfSvWxzyAmHD

0-1-8



0-1-8
Scale = 1:37.8

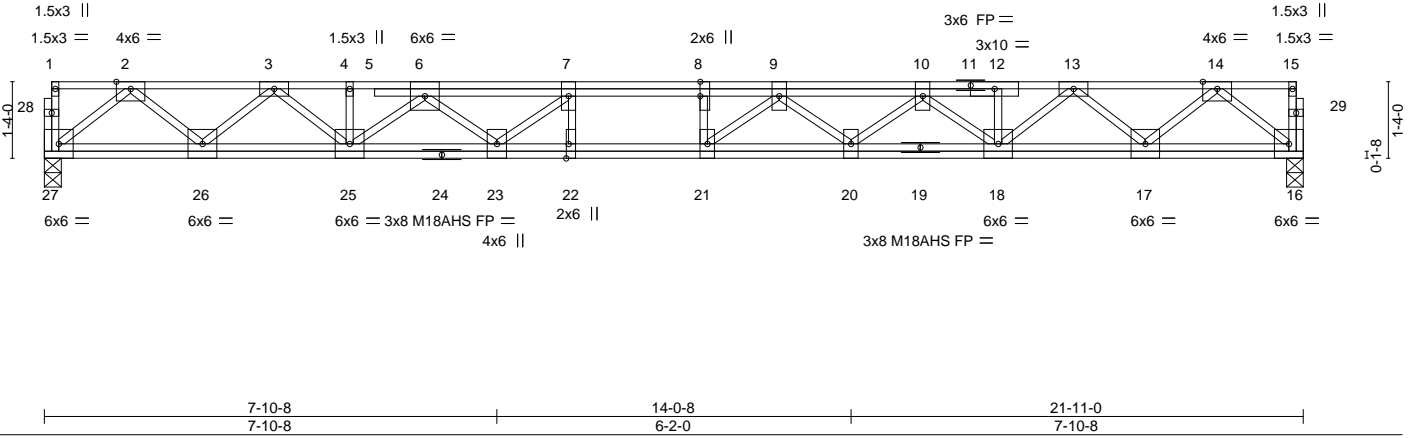


Plate Offsets (X,Y)--	[8:0-3-0,0-0-0], [22:0-3-0,Edge]
-----------------------	----------------------------------

LOADING (psf)	SPACING-	CS.I.	DEFL.	in (loc)	l/defl	L/d	PLATES	GRIP
TCLL 40.0	Plate Grip DOL 1.00	TC 0.37	Vert(LL) -0.33	21	>797	480	MT20	244/190
TCDL 10.0	Lumber DOL 1.00	BC 0.60	Vert(CT) -0.45	21	>579	360	M18AHS	186/179
BCLL 0.0	Rep Stress Incr YES	WB 0.64	Horz(CT) 0.06	16	n/a	n/a		
BCDL 5.0	Code IRC2015/TPI2014	Matrix-S						

Weight: 158 lb FT = 20%F, 11%E

LUMBER-	BRACING-
TOP CHORD 2x4 SP No.1 (flat)	TOP CHORD Structural wood sheathing directly applied or 6-0-0 oc purlins, except end verticals.
BOT CHORD 2x4 SP No.1 (flat)	BOT CHORD Rigid ceiling directly applied or 10-0-0 oc bracing.
WEBS 2x4 SP No.3 (flat)	

REACTIONS. (size) 27=0-3-8, 16=0-3-8
Max Grav 27=1185(LC 1), 16=1185(LC 1)

FORCES. (lb) - Max. Comp./Max. Ten. - All forces 250 (lb) or less except when shown.
TOP CHORD 2-3=-2352/0, 3-4=-4056/0, 4-6=-4064/0, 6-7=-5383/0, 7-8=-5847/0, 8-9=-5847/0,
9-10=-5402/0, 10-12=-4085/0, 12-13=-4085/0, 13-14=-2350/0
BOT CHORD 26-27=0/1358, 25-26=0/3320, 23-25=0/4944, 22-23=0/5847, 21-22=0/5847, 20-21=0/5744,
18-20=0/5011, 17-18=0/3314, 16-17=0/1360
WEBS 2-27=-1765/0, 2-26=0/1348, 3-26=-1313/0, 3-25=0/978, 14-16=-1768/0, 14-17=0/1344,
13-17=-1307/0, 13-18=0/1024, 10-18=-1200/0, 10-20=0/518, 9-20=508/0, 6-25=-1151/0,
6-23=0/707, 7-23=-889/0, 9-21=-301/635, 8-21=-272/53

- NOTES-**
- 1) Unbalanced floor live loads have been considered for this design.
 - 2) All plates are MT20 plates unless otherwise indicated.
 - 3) All plates are 3x6 MT20 unless otherwise indicated.
 - 4) Plates checked for a plus or minus 1 degree rotation about its center.
 - 5) This truss is designed in accordance with the 2015 International Residential Code sections R502.11.1 and R802.10.2 and referenced standard ANSI/TPI 1.
 - 6) Recommend 2x6 strongbacks, on edge, spaced at 10-0-0 oc and fastened to each truss with 3-10d (0.131" X 3") nails. Strongbacks to be attached to walls at their outer ends or restrained by other means.



December 9, 2021

WARNING - Verify design parameters and READ NOTES ON THIS AND INCLUDED MITEK REFERENCE PAGE MII-7473 rev. 5/19/2020 BEFORE USE.
Design valid for use only with MiTek® connectors. This design is based only upon parameters shown, and is for an individual building component, not a truss system. Before use, the building designer must verify the applicability of design parameters and properly incorporate this design into the overall building design. Bracing indicated is to prevent buckling of individual truss web and/or chord members only. Additional temporary and permanent bracing is always required for stability and to prevent collapse with possible personal injury and property damage. For general guidance regarding the fabrication, storage, delivery, erection and bracing of trusses and truss systems, see **ANSI/TPI1 Quality Criteria, DSB-89 and BCSI Building Component Safety Information** available from Truss Plate Institute, 2670 Crain Highway, Suite 203 Waldorf, MD 20601

818 Soundside Road
Edenton, NC 27932

Job J0122-0373	Truss FG1	Truss Type Floor Girder	Qty 1	Ply 1	Lot 7 Mitchell Manor II	E16477205
-------------------	--------------	----------------------------	----------	----------	-------------------------	-----------

Comtech, Inc, Fayetteville, NC - 28314, 8.430 s Aug 16 2021 MiTek Industries, Inc. Thu Dec 9 07:37:53 2021 Page 1
 ID:I4HRAT3elT9qoRldAqEs_5z0Axy-kYtjQaYtcz47vZqN0KPVH6Gcg?aa6phZGUWByAmHC

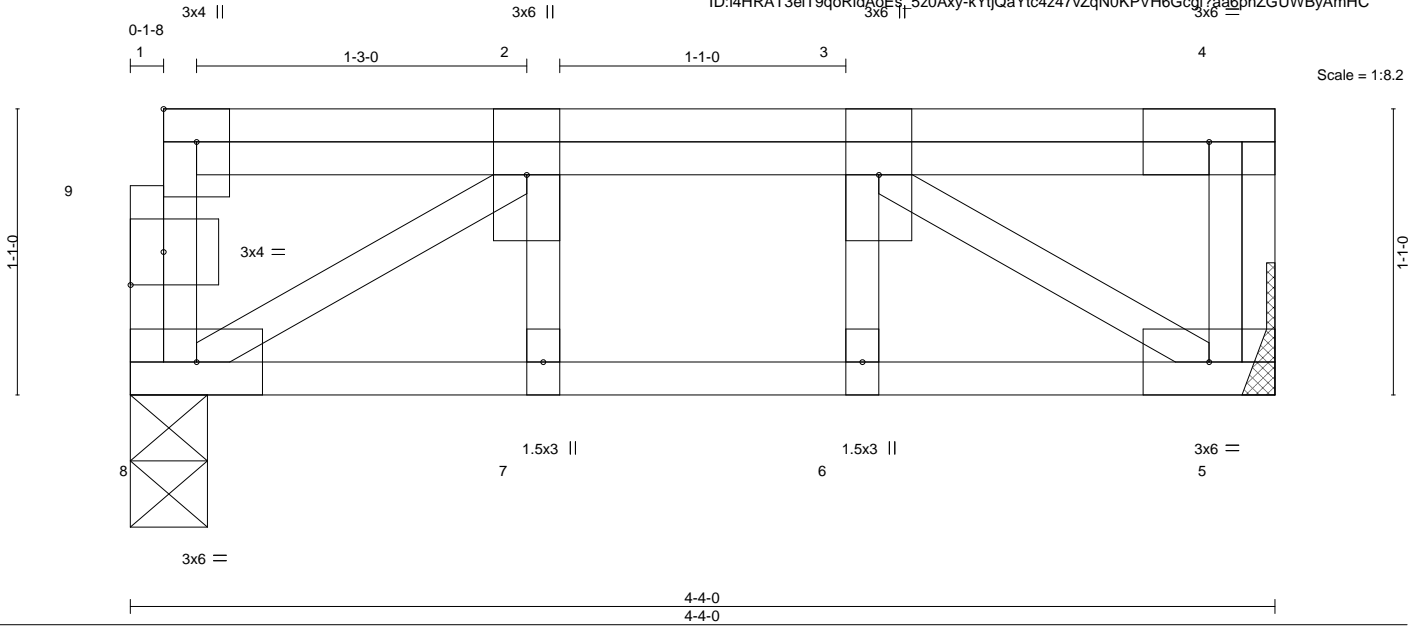


Plate Offsets (X,Y)-- [1:Edge,0-1-8], [9:0-1-8,0-1-8]

LOADING (psf)	SPACING-	CSI.	DEFL.	in (loc)	I/defl	L/d	PLATES	GRIP
TCLL 40.0	2-0-0	TC 0.13	Vert(LL)	-0.01	6	>999	MT20	244/190
TCDL 10.0	Plate Grip DOL 1.00	BC 0.20	Vert(CT)	-0.01	6	>999		
BCLL 0.0	Lumber DOL 1.00	WB 0.16	Horz(CT)	0.00	5	n/a		
BCDL 5.0	Rep Stress Incr NO	Matrix-S						
	Code IRC2015/TPI2014						Weight: 29 lb	FT = 20%F, 11%E

LUMBER-
 TOP CHORD 2x4 SP No.1 (flat)
 BOT CHORD 2x4 SP No.1 (flat)
 WEBS 2x4 SP No.3 (flat)

BRACING-
 TOP CHORD Structural wood sheathing directly applied or 4-4-0 oc purlins, except end verticals.
 BOT CHORD Rigid ceiling directly applied or 10-0-0 oc bracing.

REACTIONS. (size) 8=0-3-8, 5=Mechanical
 Max Grav 8=810(LC 1), 5=501(LC 1)

FORCES. (lb) - Max. Comp./Max. Ten. - All forces 250 (lb) or less except when shown.
 TOP CHORD 1-8=-473/0, 2-3=-581/0
 BOT CHORD 7-8=0/581, 6-7=0/581, 5-6=0/581
 WEBS 3-5=-684/0, 2-8=-648/0

- NOTES-**
- 1) Unbalanced floor live loads have been considered for this design.
 - 2) Plates checked for a plus or minus 1 degree rotation about its center.
 - 3) Refer to girder(s) for truss to truss connections.
 - 4) This truss is designed in accordance with the 2015 International Residential Code sections R502.11.1 and R802.10.2 and referenced standard ANSI/TPI 1.
 - 5) Recommend 2x6 strongbacks, on edge, spaced at 10-0-0 oc and fastened to each truss with 3-10d (0.131" X 3") nails. Strongbacks to be attached to walls at their outer ends or restrained by other means.
 - 6) CAUTION, Do not erect truss backwards.

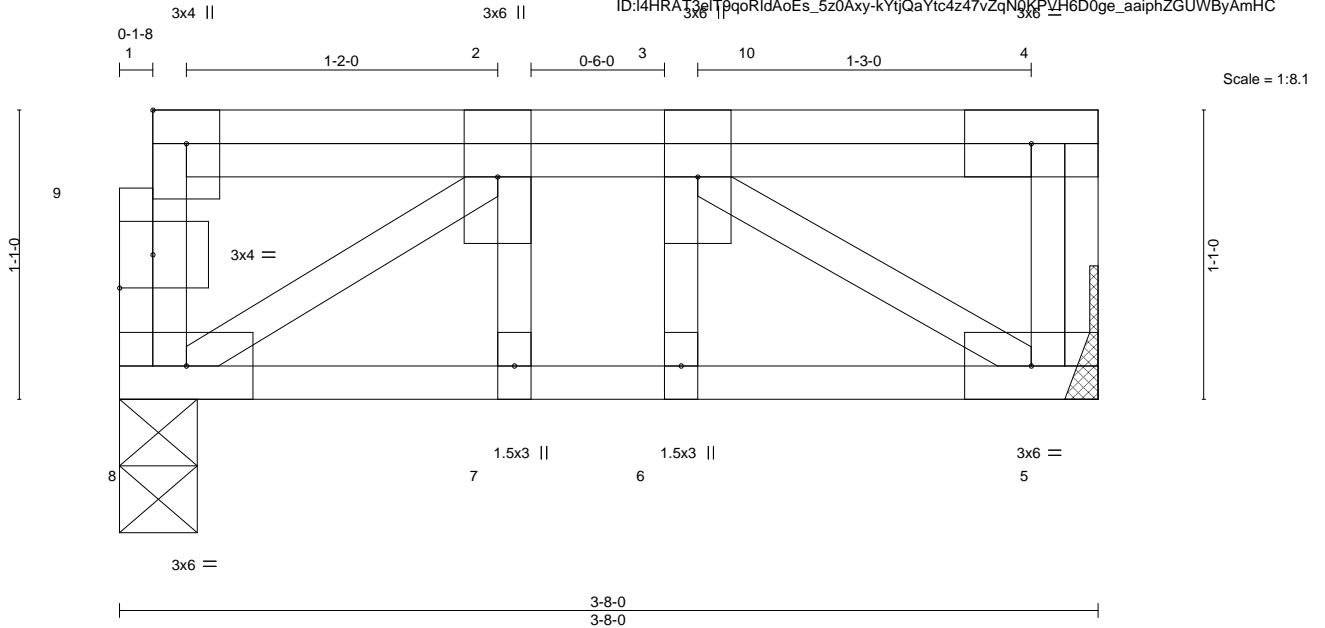
LOAD CASE(S) Standard
 1) Dead + Floor Live (balanced): Lumber Increase=1.00, Plate Increase=1.00
 Uniform Loads (plf)
 Vert: 5-8=-10, 1-4=-100
 Concentrated Loads (lb)
 Vert: 1=-452 3=-417



December 9, 2021

Job J0122-0373	Truss FG2	Truss Type Floor Girder	Qty 1	Ply 1	Lot 7 Mitchell Manor II Job Reference (optional)	E16477206
-------------------	--------------	----------------------------	----------	----------	---	-----------

Comtech, Inc, Fayetteville, NC - 28314, 8.430 s Aug 16 2021 MiTek Industries, Inc. Thu Dec 9 07:37:53 2021 Page 1
 ID:14HRAT3e1TpoRIdAoEs_5z0Axy-kYtjQaYtc4z47vZqNQKPVH6D0ge_aaiphZGUWByAmHC



LOADING (psf)		SPACING-		CSI.		DEFL.		PLATES		GRIP		
TCLL	40.0	Plate Grip DOL	1.00	TC	0.36	Vert(LL)	-0.01	6	>999	480	MT20	244/190
TCDL	10.0	Lumber DOL	1.00	BC	0.26	Vert(CT)	-0.01	5-6	>999	360		
BCLL	0.0	Rep Stress Incr	NO	WB	0.19	Horz(CT)	0.00	5	n/a	n/a		
BCDL	5.0	Code	IRC2015/TPI2014	Matrix-S							Weight: 26 lb	FT = 20%F, 11%E

LUMBER-		BRACING-	
TOP CHORD	2x4 SP No.1 (flat)	TOP CHORD	Structural wood sheathing directly applied or 3-8-0 oc purlins, except end verticals.
BOT CHORD	2x4 SP No.1 (flat)	BOT CHORD	Rigid ceiling directly applied or 10-0-0 oc bracing.
WEBS	2x4 SP No.3 (flat)		

REACTIONS. (size) 8=0-3-8, 5=Mechanical
 Max Grav 8=1167(LC 1), 5=709(LC 1)

FORCES. (lb) - Max. Comp./Max. Ten. - All forces 250 (lb) or less except when shown.
 TOP CHORD 1-8=-764/0, 4-5=-268/0, 2-3=-672/0
 BOT CHORD 7-8=0/672, 6-7=0/672, 5-6=0/672
 WEBS 3-5=-792/0, 2-8=-747/0

- NOTES-**
- Unbalanced floor live loads have been considered for this design.
 - Plates checked for a plus or minus 1 degree rotation about its center.
 - Refer to girder(s) for truss to truss connections.
 - This truss is designed in accordance with the 2015 International Residential Code sections R502.11.1 and R802.10.2 and referenced standard ANSI/TPI 1.
 - Recommend 2x6 strongbacks, on edge, spaced at 10-0-0 oc and fastened to each truss with 3-10d (0.131" X 3") nails. Strongbacks to be attached to walls at their outer ends or restrained by other means.
 - CAUTION, Do not erect truss backwards.

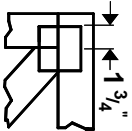
LOAD CASE(S) Standard
 1) Dead + Floor Live (balanced): Lumber Increase=1.00, Plate Increase=1.00
 Uniform Loads (plf)
 Vert: 5-8=-10, 1-4=-100
 Concentrated Loads (lb)
 Vert: 1=-771 10=-735



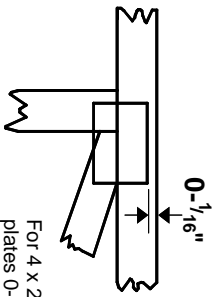
December 9, 2021

Symbols

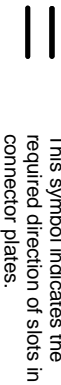
PLATE LOCATION AND ORIENTATION



Center plate on joint unless x, y offsets are indicated. Dimensions are in ft-in-sixteenths. Apply plates to both sides of truss and fully embed teeth.



For 4 x 2 orientation, locate plates 0- $\frac{1}{16}$ " from outside edge of truss.



This symbol indicates the required direction of slots in connector plates.

PLATE SIZE

4 X 4

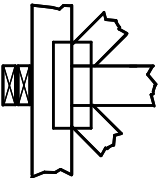
The first dimension is the plate width measured perpendicular to slots. Second dimension is the length parallel to slots.

LATERAL BRACING LOCATION



Indicated by symbol shown and/or by text in the bracing section of the output. Use T or I bracing if indicated.

BEARING

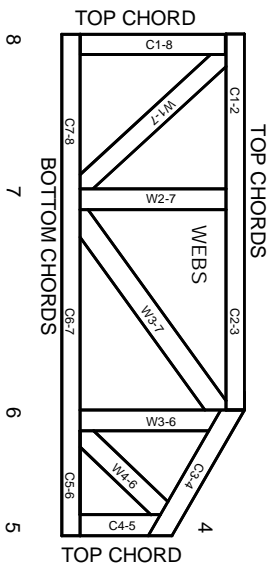


Indicates location where bearings (supports) occur. Icons vary but reaction section indicates joint number where bearings occur. Min size shown is for crushing only.

Industry Standards:

- ANSI/ITP1: National Design Specification for Metal Plate Connected Wood Truss Construction.
- DSB-89: Design Standard for Bracing, Building Component Safety Information, Guide to Good Practice for Handling, Installing & Bracing of Metal Plate Connected Wood Trusses.
- BCSI:

Numbering System



TOP CHORD
BOTTOM CHORDS
WEBS
TOP CHORDS
BOTTOM CHORDS

JOINTS ARE GENERALLY NUMBERED/LETTERED CLOCKWISE AROUND THE TRUSS STARTING AT THE JOINT FARTHEST TO THE LEFT.

PRODUCT CODE APPROVALS

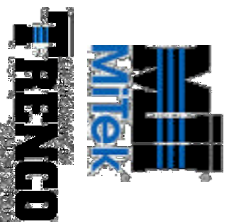
ICC-ES Reports:

- ESR-1311, ESR-1352, ESR 1988
- ER-3907, ESR-2362, ESR-1397, ESR-3282

Trusses are designed for wind loads in the plane of the truss unless otherwise shown.

Lumber design values are in accordance with ANSI/TPP 1 section 6.3 These truss designs rely on lumber values established by others.

© 2012 MITek® All Rights Reserved



MITek Engineering Reference Sheet: Mill-7473 rev. 5/19/2020

General Safety Notes

Failure to Follow Could Cause Property Damage or Personal Injury

- Additional stability bracing for truss system, e.g. diagonal or X-bracing, is always required. See BCSI.
- Truss bracing must be designed by an engineer. For wide truss spacing, individual lateral braces themselves may require bracing, or alternative Tor I bracing should be considered.
- Never exceed the design loading shown and never stack materials on inadequately braced trusses.
- Provide copies of this truss design to the building designer, erection supervisor, property owner and all other interested parties.
- Cut members to bear tightly against each other.
- Place plates on each face of truss at each joint and embed fully. Knots and wane at joint locations are regulated by ANSI/TPP 1.
- Design assumes trusses will be suitably protected from the environment in accord with ANSI/TPP 1.
- Unless otherwise noted, moisture content of lumber shall not exceed 19% at time of fabrication.
- Unless expressly noted, this design is not applicable for use with fire retardant, preservative treated, or green lumber.
- Camber is a non-structural consideration and is the responsibility of truss fabricator. General practice is to camber for dead load deflection.
- Plate type, size, orientation and location dimensions indicated are minimum plating requirements.
- Lumber used shall be of the species and size, and in all respects, equal to or better than that specified.
- Lumber used shall be of the species and size, and in all respects, equal to or better than that specified.
- Top chords must be sheathed or purlins provided at spacing indicated on design.
- Bottom chords require lateral bracing at 10 ft. spacing, or less, if no ceiling is installed, unless otherwise noted.
- Connections not shown are the responsibility of others.
- Do not cut or alter truss member or plate without prior approval of an engineer.
- Install and load vertically unless indicated otherwise.
- Use of green or treated lumber may pose unacceptable environmental, health or performance risks. Consult with project engineer before use.
- Review all portions of this design (front, back, words and pictures) before use. Reviewing pictures alone is not sufficient.
- Design assumes manufacture in accordance with ANSI/TPP 1 Quality Criteria.
- The design does not take into account any dynamic or other loads other than those expressly stated.