

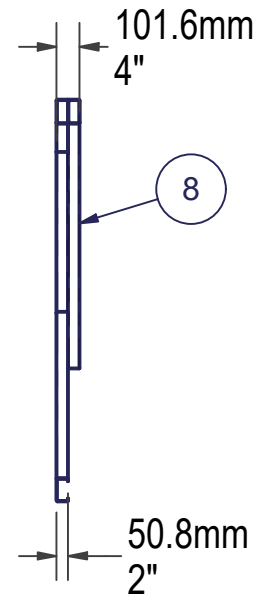
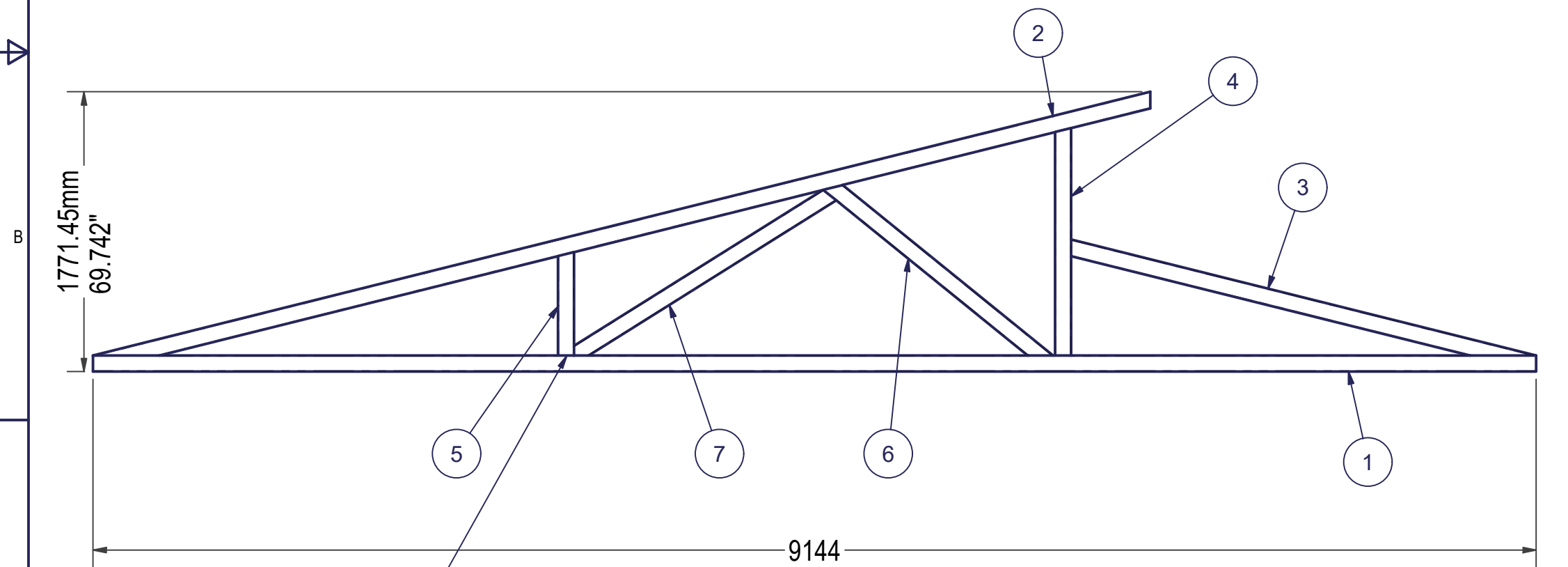
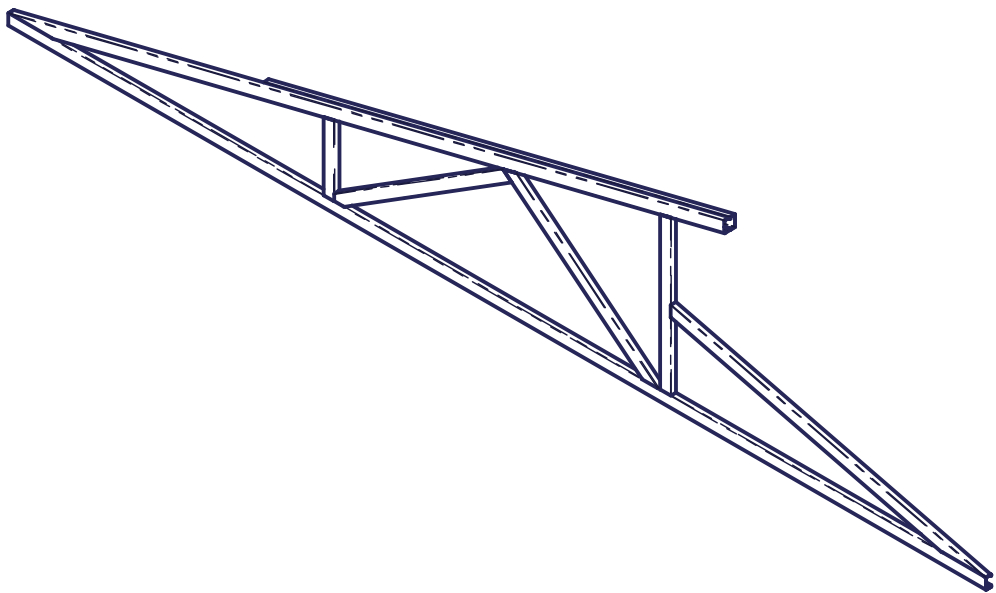
BOM			
ITEM	QTY	PART NUMBER	DESCRIPTION
1	1	R_CEE CHANNEL_TRUSS1_1	CEE CHANNEL 4"X2"X1/2"
2	1	R_CEE CHANNEL_TRUSS1_2	CEE CHANNEL 4"X2"X1/2"
3	1	R_CEE CHANNEL_TRUSS1_3	CEE CHANNEL 4"X2"X1/2"
4	1	R_CEE CHANNEL_TRUSS1_4	CEE CHANNEL 4"X2"X1/2"
5	1	R_CEE CHANNEL_TRUSS1_5	CEE CHANNEL 4"X2"X1/2"
6	1	R_CEE CHANNEL_TRUSS1_6	CEE CHANNEL 4"X2"X1/2"
7	1	R_CEE CHANNEL_TRUSS1_7	CEE CHANNEL 4"X2"X1/2"
8	1	R_CEE CHANNEL_TRUSS1_10	CEE CHANNEL 4"X2"X1/2"

DocuSigned by:  
*Robert L Pennington*  
 0D64399335DF452...



3/13/2022  
 Robert L. Pennington PE  
 7629 Mallow Road  
 Wilmington, NC 28411  
 Email: robert@RLPPE.com  
 Phone: 910-520-0278

REVISION HISTORY					
ZONE	REV	DESCRIPTION	ENG	ECO	DATE
	1	INITIAL RELEASE			3/12/2022



DXF FILE:  
**R\_CHICKADEE\_TRUSS 7\_1**

ORIGINAL SCALE UNLESS OTHERWISE STATED

**COPYRIGHT**  
 This drawing and any information or descriptive matters contained therein are the copyright property of SELF SUSTAINABLE SOLUTIONS. Neither the whole nor any extract may be disclosed, loaned, copied, or used for manufacturing or tendering purposes without their written consent.

MATERIAL	
THICK	
MASS	N/A
FINISH	NONE
ENGINEER	Dirk Genis
DRAWN	Dirk Genis
DATE	3/12/2022



TITLE  
**R\_CHICKADEE\_TRUSS 7**

ALL WELD

FLAT PATTERN GEOMETRY IS GOVERNED BY DXF WITH THE EXPECTED TOLERANCE OF +/- 0.15mm ON ALL DXF CUTS

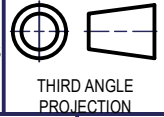
This print is shared on a confidential basis subject to return upon demand by SSS and nothing hereon may be reproduced, used or disclosed in whole or in part without the prior written permission of SSS

UNLESS OTHERWISE SPECIFIED DIMENSIONS ARE IN MILLIMETERS

GENERAL TOLERANCES LINEAR DIMENSIONS							
LINEAR	0.5 TO 3	3 TO 6	6 TO 30	30 TO 120	120 TO 400	400 TO 1000	1000 TO 2000
±0.1	±0.1	±0.2	±0.3	±0.5	±0.8	±1.2	±2.0

ALL OTHER FEATURE DIMENSION TOLERANCES ARE GOVERNED BY DIN ISO 2768-mK

REMOVE ALL SHARP EDGES AND BURRS



DRAWING NUMBER <b>R_CHICKADEE_TRUSS 7</b>		
SHEET 1 OF 1	SIZE: B	REVISION: 1