


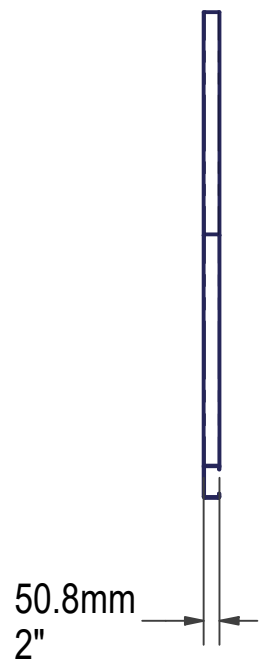
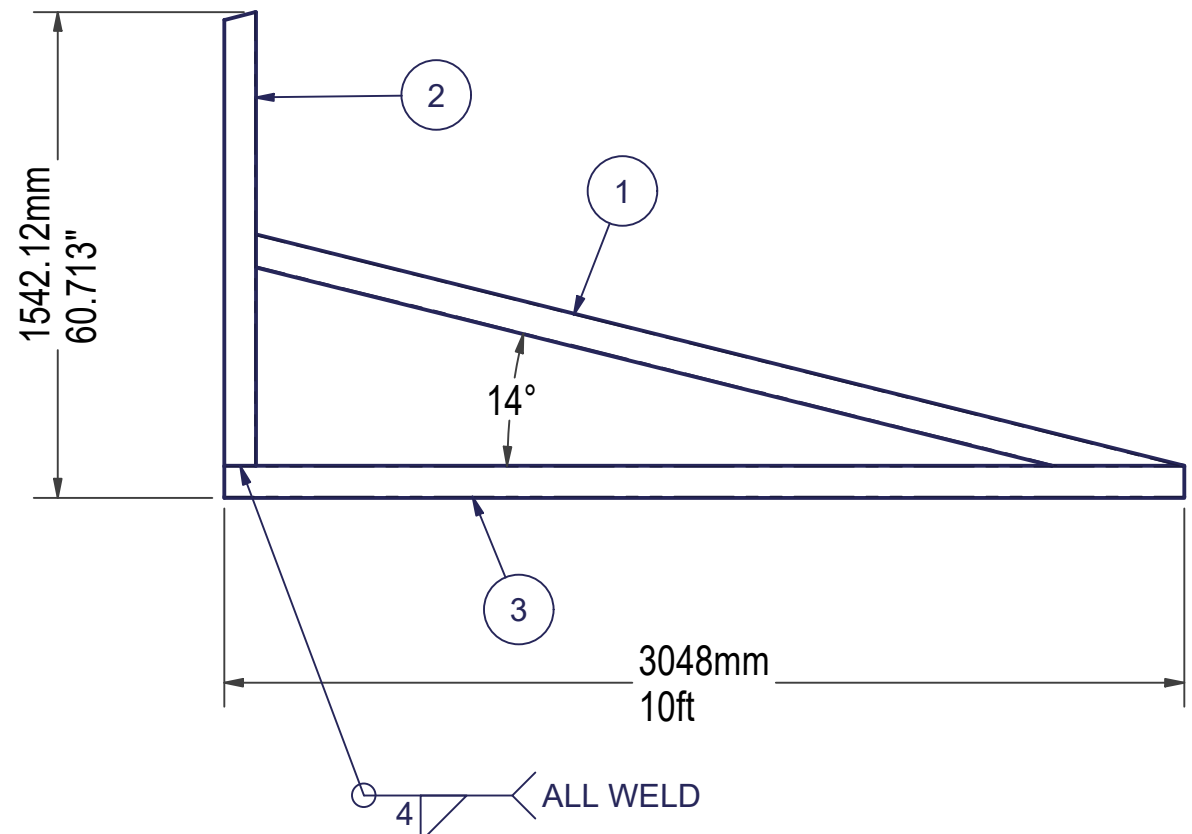
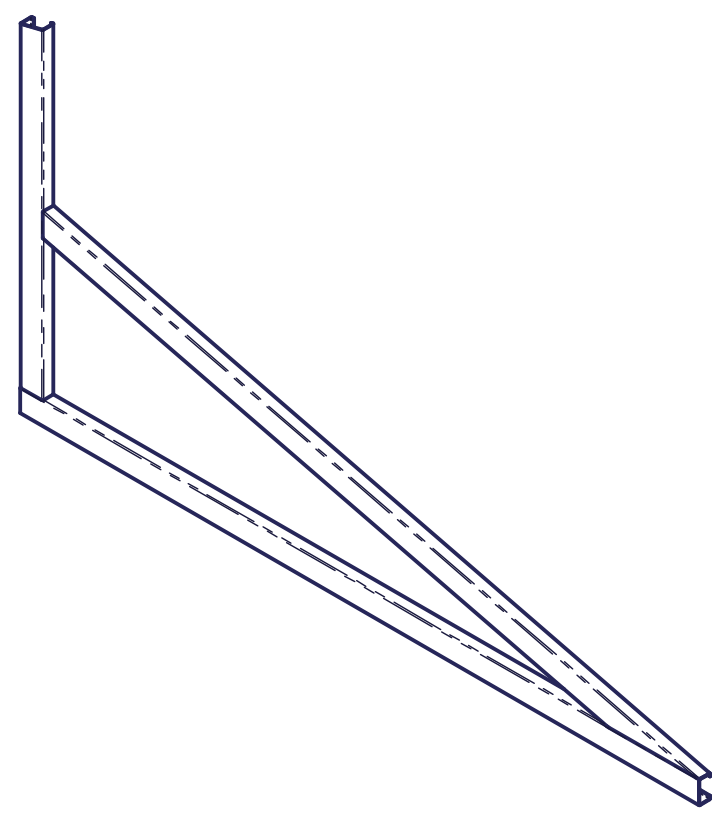
BOM			
ITEM	QTY	PART NUMBER	DESCRIPTION
1	1	R_CEE CHANNEL_TRUSS1_3	CEE CHANNEL 4"X2"X1/2"
2	1	R_CEE CHANNEL_TRUSS1_4	CEE CHANNEL 4"X2"X1/2"
3	1	R_CEE CHANNEL_TRUSS1_9	CEE CHANNEL 4"X2"X1/2"

REVISION HISTORY					
ZONE	REV	DESCRIPTION	ENG	ECO	DATE
	1	INITIAL RELEASE			3/12/2022

DocuSigned by:

 0D64399335DF452...
 3/13/2022



Robert L. Pennington PE
 7629 Mallow Road
 Wilmington, NC 28411
 Email: robert@RLPPE.com
 Phone: 910-520-0278



DXF FILE:
R_CHICKADEE_TRUSS 5_1

ORIGINAL SCALE UNLESS OTHERWISE STATED

COPYRIGHT
 This drawing and any information or descriptive matters contained therein are the copyright property of SELF SUSTAINABLE SOLUTIONS. Neither the whole nor any extract may be disclosed, loaned, copied, or used for manufacturing or tendering purposes without their written consent.

MATERIAL	
THICK	
MASS	N/A
FINISH	NONE
ENGINEER	Dirk Genis
DRAWN	Dirk Genis
DATE	3/12/2022



TITLE
R_CHICKADEE_TRUSS 5

FLAT PATTERN GEOMETRY IS GOVERNED BY DXF WITH THE EXPECTED TOLERANCE OF +/- 0.15mm ON ALL DXF CUTS

This print is shared on a confidential basis subject to return upon demand by SSS and nothing hereon may be reproduced, used or disclosed in whole or in part without the prior written permission of SSS

UNLESS OTHERWISE SPECIFIED DIMENSIONS ARE IN MILLIMETERS

GENERAL TOLERANCES LINEAR DIMENSIONS							
LINEAR	0.5 TO 3	3 TO 6	6 TO 30	30 TO 120	120 TO 400	400 TO 1000	1000 TO 2000
TO	±0.1	±0.1	±0.2	±0.3	±0.5	±0.8	±1.2
TO							±2.0

ALL OTHER FEATURE DIMENSION TOLERANCES ARE GOVERNED BY DIN ISO 2768-mK

REMOVE ALL SHARP EDGES AND BURRS

THIRD ANGLE PROJECTION

DRAWING NUMBER
R_CHICKADEE_TRUSS 5

SHEET 1 OF 1 SIZE: B REVISION: 1