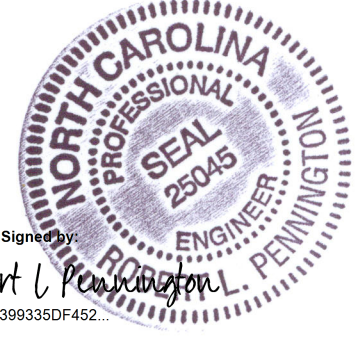


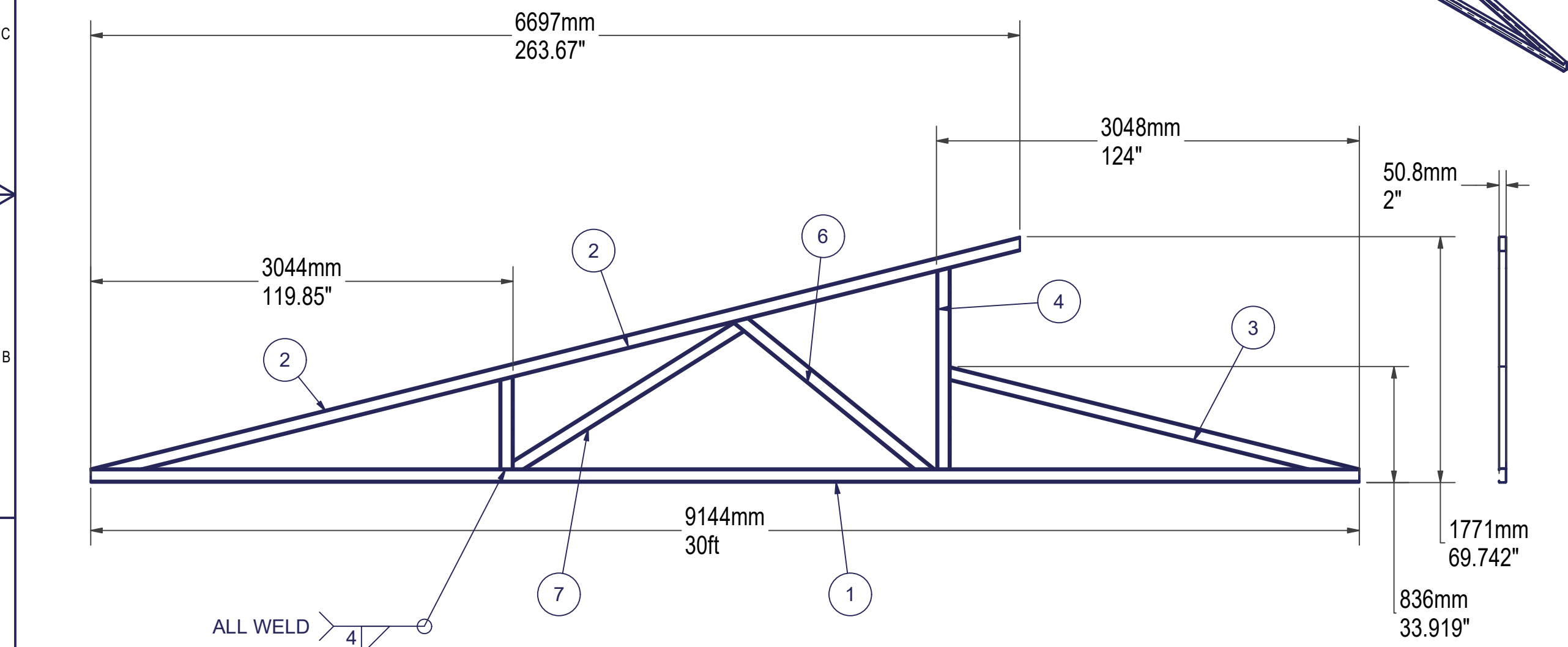
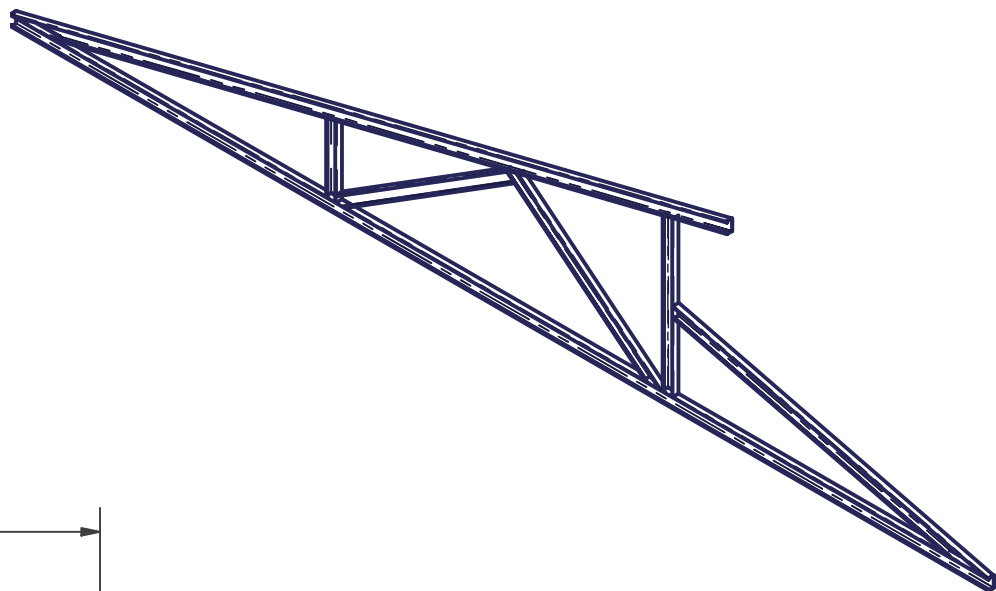
6		5		4		3		2		1	
---	--	---	--	---	--	---	--	---	--	---	--

BOM			
ITEM	QTY	PART NUMBER	DESCRIPTION
1	1	R_CEE CHANNEL_TRUSS1_1	CEE CHANNEL 4"x2"x1/2"
2	1	R_CEE CHANNEL_TRUSS1_2R	CEE CHANNEL 4"x2"x1/2"
3	1	R_CEE CHANNEL_TRUSS1_3R	CEE CHANNEL 4"x2"x1/2"
4	1	R_CEE CHANNEL_TRUSS1_4R	CEE CHANNEL 4"x2"x1/2"
5	1	R_CEE CHANNEL_TRUSS1_5R	CEE CHANNEL 4"x2"x1/2"
6	1	R_CEE CHANNEL_TRUSS1_6R	CEE CHANNEL 4"x2"x1/2"
7	1	R_CEE CHANNEL_TRUSS1_7R	CEE CHANNEL 4"x2"x1/2"

REVISION HISTORY					
ZONE	REV	DESCRIPTION	ENG	ECO	DATE
	1	INITIAL RELEASE			3/11/2022



DocuSigned by:
 Robert L. Pennington
 0D64399335DF452...
 3/13/2022
 Robert L. Pennington PE
 7629 Mallow Road
 Wilmington, NC 28411
 Email: robert@RLPPE.com
 Phone: 910-520-0278



DXF FILE:
R_CHICKADEE_TRUSS 2_1

ORIGINAL SCALE UNLESS OTHERWISE STATED

COPYRIGHT

This drawing and any information or descriptive matters contained therein are the copyright property of SELF SUSTAINABLE SOLUTIONS. Neither the whole nor any extract may be disclosed, loaned, copied, or used for manufacturing or tendering purposes without their written consent.

MATERIAL	
THICK	
MASS	N/A
FINISH	NONE
ENGINEER	Dirk Genis
DRAWN	Dirk Genis
DATE	3/11/2022



TITLE
R_CHICKADEE_TRUSS 2

FLAT PATTERN GEOMETRY IS GOVERNED BY DXF WITH THE EXPECTED TOLERANCE OF +/- 0.15mm ON ALL DXF CUTS

This print is shared on a confidential basis subject to return upon demand by SSS and nothing hereon may be reproduced, used or disclosed in whole or in part without the prior written permission of SSS

UNLESS OTHERWISE SPECIFIED DIMENSIONS ARE IN MILLIMETERS

GENERAL TOLERANCES LINEAR DIMENSIONS							
LINEAR	0.5 TO 3	3 TO 6	6 TO 30	30 TO 120	120 TO 400	400 TO 1000	1000 TO 2000
±0.1	±0.1	±0.2	±0.3	±0.5	±0.8	±1.2	±2.0

ALL OTHER FEATURE DIMENSION TOLERANCES ARE GOVERNED BY DIN ISO 2768-mK

REMOVE ALL SHARP EDGES AND BURRS

THIRD ANGLE PROJECTION	DRAWING NUMBER R_CHICKADEE_TRUSS 2
SHEET 1 OF 1	SIZE: B
REVISION: 1	