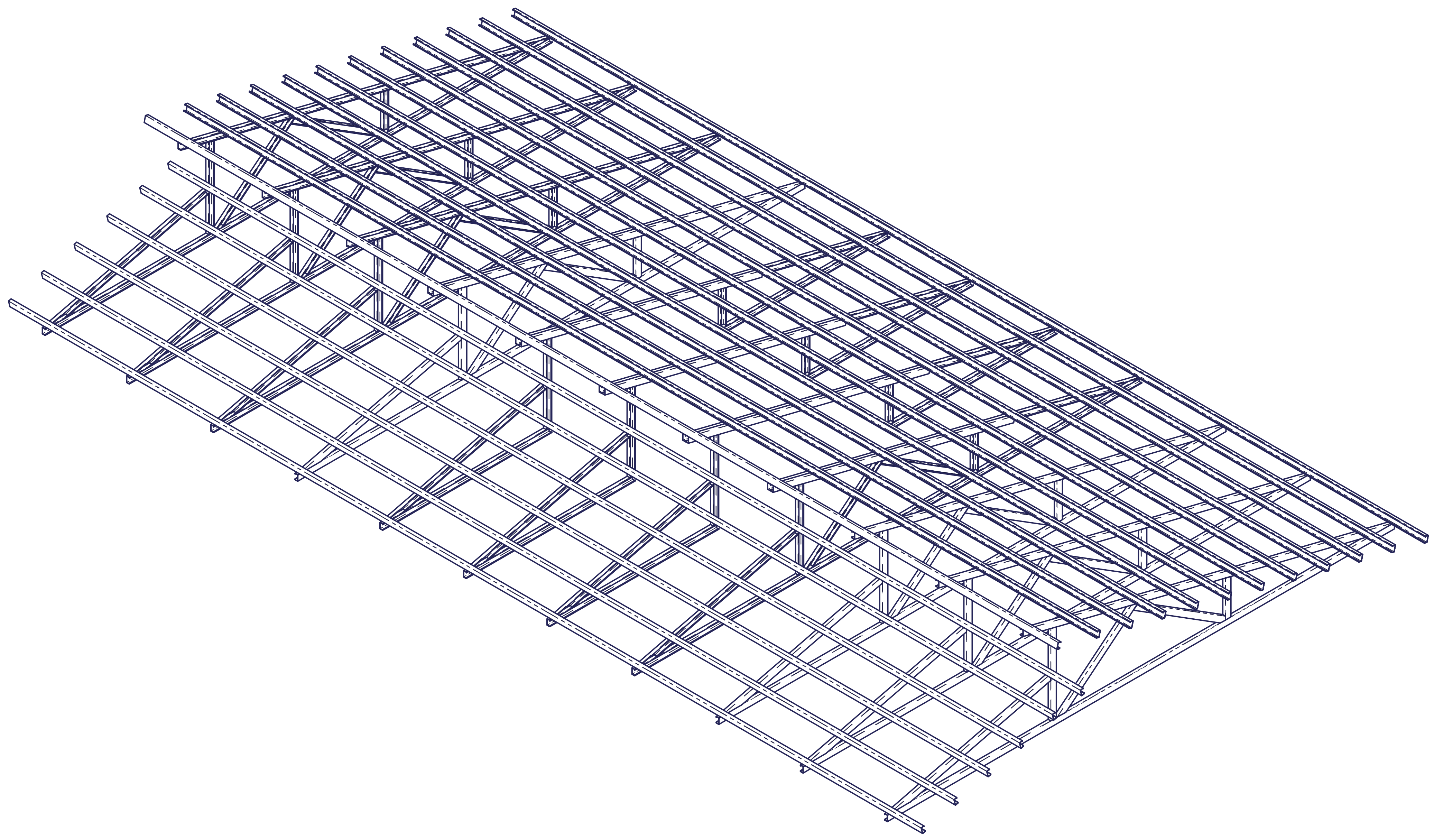


ITEM	QTY	PART NUMBER	DESCRIPTION
1	3	R_CHICKADEE_TRUSS1	R_CHICKADEE_TRUSS1
2	1	R_CHICKADEE_TRUSS7	R_CHICKADEE_TRUSS7
3	3	R_CHICKADEE_TRUSS2	R_CHICKADEE_TRUSS2
4	1	R_CHICKADEE_TRUSS8	R_CHICKADEE_TRUSS8
5	3	R_CHICKADEE_TRUSS3	R_CHICKADEE_TRUSS3
6	3	R_CHICKADEE_TRUSS5	R_CHICKADEE_TRUSS5
7	18	R_CEE_CHANNEL_PURLIN1	CEE CHANNEL 4"X2"X1/2"

ZONE	REV	DESCRIPTION	ENG	DATE
	1	INITIAL RELEASE		3/11/2022



ORIGINAL SCALE UNLESS OTHERWISE STATED

**COPYRIGHT**

This drawing and any information or descriptive matters contained therein are the copyright property of SELF SUSTAINABLE SOLUTIONS. Neither the whole nor any extract may be disclosed, loaned, copied, or used for manufacturing or tendering purposes without their written consent.

MATERIAL	
THICK	
MASS	N/A
FINISH	NONE
ENGINEER	Dirk Genis
DRAWN	Dirk Genis
DATE	3/11/2022



Robert L. Pennington PE  
7629 Mallow Road  
Wilmington, NC 28411  
Email: robert@RLPPE.com  
Phone: 910-520-0278

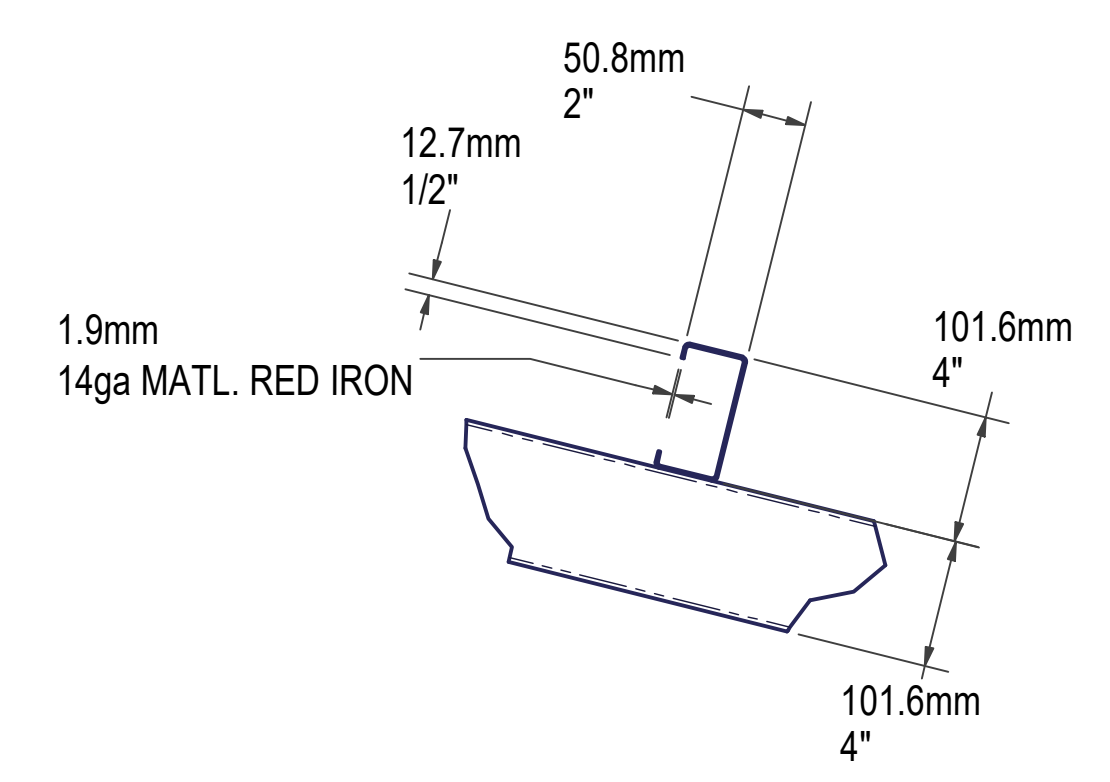
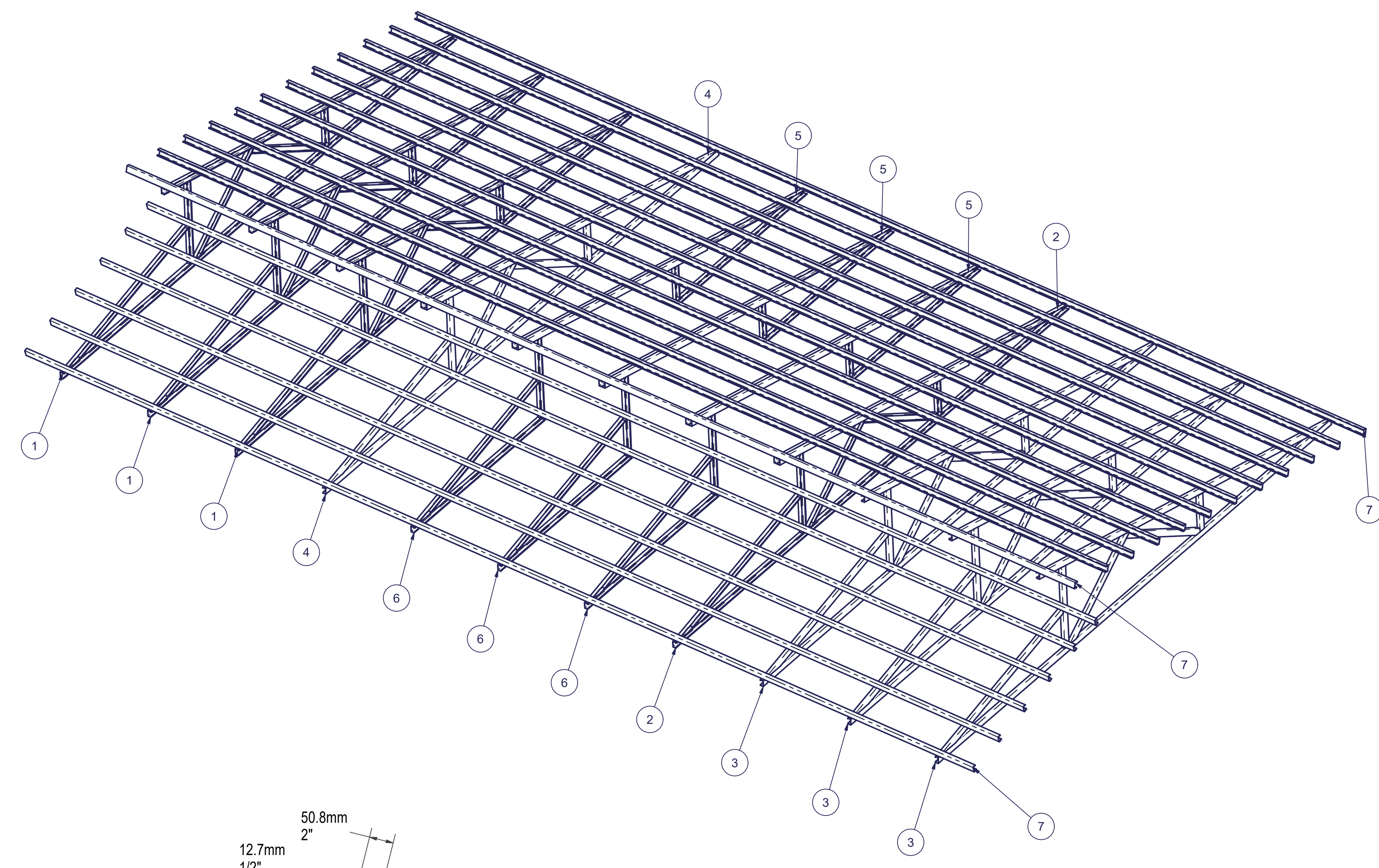
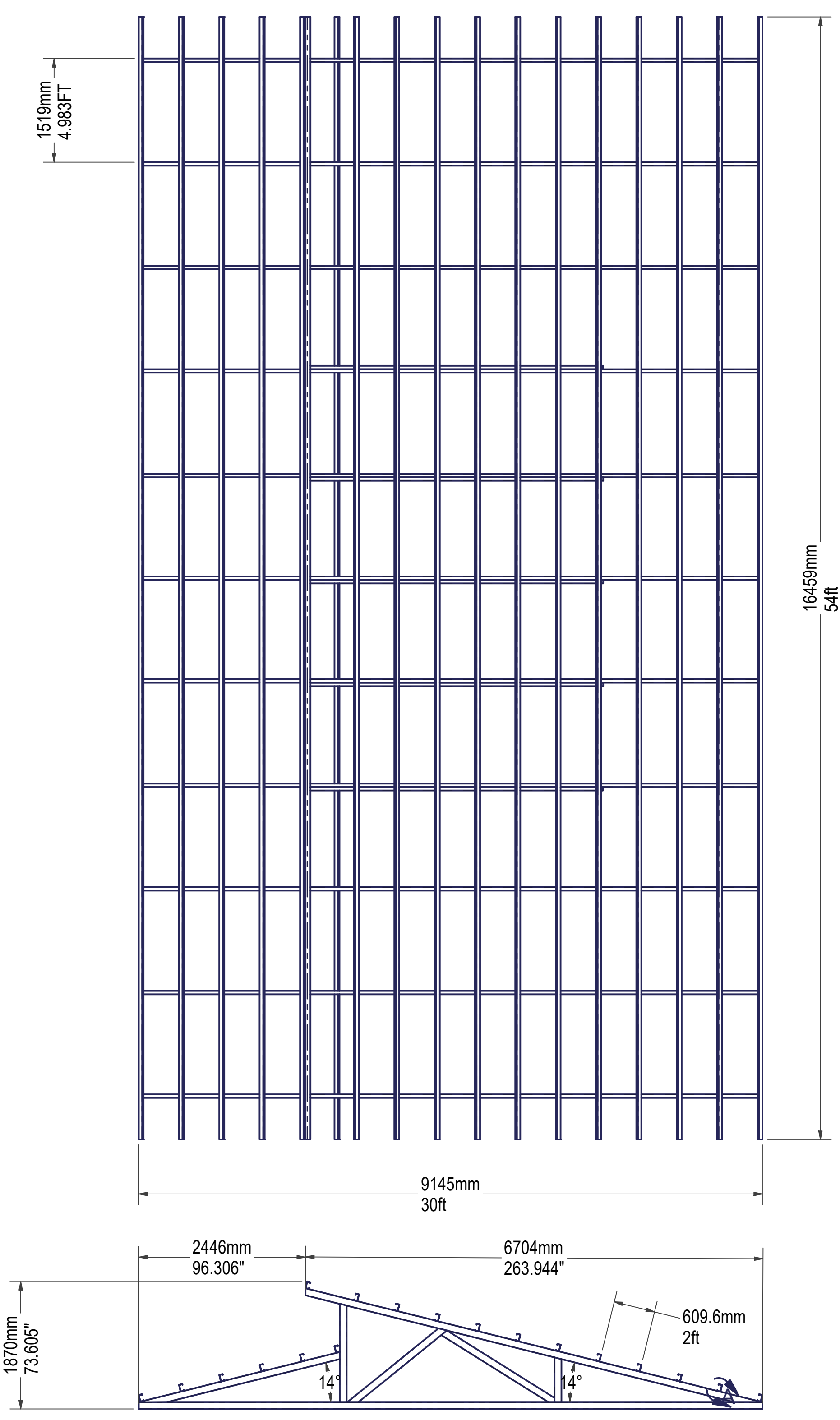


TITLE  
**ROOF STRUCTURE ASSY**

<p>FLAT PATTERN GEOMETRY IS GOVERNED BY DXF WITH THE EXPECTED TOLERANCE OF +/- 0.15mm ON ALL DXF CUTS</p>	<p>This print is shared on a confidential basis subject to return upon demand by SSS and nothing hereon may be reproduced, used or disclosed in whole or in part without the prior written permission of Osprea.</p>	<p>UNLESS OTHERWISE SPECIFIED DIMENSIONS ARE IN MILLIMETERS</p>		<p>REMOVE ALL SHARP EDGES AND BURRS</p>																							
		<p>GENERAL TOLERANCES LINEAR DIMENSIONS</p>	<p>ALL OTHER FEATURES DIMENSION TOLERANCES ARE GOVERNED BY DIN ISO 2768-mK</p>																								
<table border="1"> <thead> <tr> <th>LINEAR</th> <th>3</th> <th>6</th> <th>12</th> <th>30</th> <th>60</th> <th>120</th> <th>240</th> <th>480</th> <th>1000</th> <th>2000</th> </tr> </thead> <tbody> <tr> <td>TO</td> <td>±0.1</td> <td>±0.1</td> <td>±0.2</td> <td>±0.3</td> <td>±0.5</td> <td>±0.8</td> <td>±1.2</td> <td>±2.0</td> <td colspan="3"></td> </tr> </tbody> </table>	LINEAR	3	6	12	30	60	120	240	480	1000	2000	TO	±0.1	±0.1	±0.2	±0.3	±0.5	±0.8	±1.2	±2.0						<p>THIRD ANGLE PROJECTION</p>	<p><b>R'CHICKAREE ROOF STRUCTURE ASSY1</b> SHEET 1 OF 2 SIZE: B REVISION: 1</p>
LINEAR	3	6	12	30	60	120	240	480	1000	2000																	
TO	±0.1	±0.1	±0.2	±0.3	±0.5	±0.8	±1.2	±2.0																			



ITEM	QTY	PART NUMBER	BOM	DESCRIPTION
1	3	R_CHICKADEE_TRUSS 1		R_CHICKADEE_TRUSS 1
2	1	R_CHICKADEE_TRUSS 7		R_CHICKADEE_TRUSS 7
3	3	R_CHICKADEE_TRUSS 2		R_CHICKADEE_TRUSS 2
4	1	R_CHICKADEE_TRUSS 8		R_CHICKADEE_TRUSS 8
5	3	R_CHICKADEE_TRUSS 3		R_CHICKADEE_TRUSS 3
6	3	R_CHICKADEE_TRUSS 5		R_CHICKADEE_TRUSS 5
7	18	R_CEE CHANNEL_PURLIN1		CEE CHANNEL 4"X2"X1/2"



DETAIL A  
SCALE 1 / 6

DocuSigned by:  
Robert L. Pennington  
0064993350F452  
3/13/2022

Robert L. Pennington PE  
7629 Mallow Road  
Wilmington, NC 28411  
Email: robert@RLPPE.com  
Phone: 910-520-0278

TITLE  
ROOF STRUCTURE ASSY

R<sup>2</sup> CHICKAREE ROOF  
STRUCTURE ASSY1  
SHEET 2 OF 2 | SIZE: B | REVISION: 1