



**Bateman Civil Survey Company, PC**

2524 Reliance Avenue

Apex, NC 27539

(919) 577-1080/fax (919) 577-1080

August 1, 2022

Harnett County Environmental Health Department  
Harnett County Environmental Health,  
900 S 9th St.  
Lillington NC 27546

**RE: Wastewater Daily Flow Calculations**  
Birchwood Grove Lot 106  
36 Ethan Allen Ct., Fuquay Varina, Harnett County, North Carolina  
Project #3753

Dear Harnett County Staff:

Bateman Civil Survey Company in conjunction with Central Carolina Soil Consulting (CCSC) are proposing wastewater daily flow calculations for a single-family home located at Birchwood Grove Lot 106 pursuant to session law 2014-120 and 2013-413. The proposed home will have 5 bedrooms and under the current flow calculations provided in the state rules would have a daily flow of 600 gallons per day. That would be based on 120 gallons per bedroom.

Household flow rates from the 15 NCAC 18A section of the state rules relied on fixture flow rates from 1982, and calculated the flows for common fixtures to established average flows for the purpose of calculating household daily flows and septic system based on those flows. The data for the historic fixture flows was taken from the EPA 2002 Onsite Wastewater Treatment Systems Manual.

The attached spreadsheet contains the flow reducing fixtures that are proposed for Birchwood Grove Lot 106. The table includes flow rates for the flow reducing fixtures as well as flow rates from the state rules and the percentage of water savings. On average the proposed fixtures provide a 40% savings.

We are requesting a reduction of 20% for the use of low flow fixtures. This will provide an adjusted daily flow of 96 gallons per bedroom per day and a total flow of 480 gallons per day for the proposed 5-bedroom house.

If you need further information or have any questions please contact Matt Burdette at (919) 422-2827 or Tom Speight at 919-577-1080 2524 Reliance Ave, Apex NC 27539.

Sincerely,

BATEMAN CIVIL SURVEY COMPANY  
NCBELS# C-2378.

DocuSigned by:  
Thomas Speight, P.E. PLS  
09838E23DC404AD...  
8/2/2022

A circular professional seal for Thomas S. Speight, Jr., a Professional Engineer in North Carolina. The seal contains the text: "NORTH CAROLINA PROFESSIONAL ENGINEER SEAL 20234 8/2/2022 THOMAS S. SPEIGHT, JR." The seal is partially overlaid by a handwritten signature and the text "PLS".

Thomas Speight, P.E.  
(seal)

Birchwood Grove Lot 106						
	Item	Model	Gal/min. or flush	Number of Fixures	Base Flow From 1982	Percent Water Savings
Master	Shower Head	Moen T5152EP	1.8 gal/minute	1	5.5 gal/minute	67%
	Lavatory Faucet	Moen 5010	1.2 gal/minute	2	3.0 gal/minute	60%
Kitchen	Kitchen Sink Faucet	Moen 7864	1.5 gal/minute	1	3.0 gal/minute	50%
Bath 2	Lavatory Faucet	Moen 5010	1.2 gal/minute	1	3.0 gal/minute	60%
	Shower Head	Moen T5153EP	1.8 gal/minute	1	5.5 gal/minute	67%
Bath 3	Lavatory Faucet	Moen5010	1.2 gal/minute	1	3.0 gal/minute	60%
	Shower Head	Moen T5153EP	1.8 gal/minute	1	5.5 gal/minute	67%
Toilets	Master, 2, 3	Gerber Maxwell Tank 28-990	1.28 gal /flush	3	3.5 gal/minute	63%

FIXTURES	TOILET	FAUCET	SHOWER	LEAK	BATH	OTHER	DISHWASHER	CLOTHES WASHER	TOTALS
PERCENT OF HOUSE HOLD WATER USE	24%	20%	20%	12%	3%	3%	2%	16%	100%
GALLONS PER DAY (600 BASE)	144	120	120	72	18	18	12	96	600
PERCENT OF SAVINGS FROM WATER SAVING FIXURES	63%	58% avg	67%	0%	0%	0%	0%	0%	40%
ADJUSTED FLOW (GALLONS)	53	50	40	72	18	18	12	96	359



Buy it for looks. Buy it for life.®

# Specifications

### DESCRIPTION

- Metal construction with various finishes identified by suffix
- Includes showerhead, arm, flange and diverter spout

### OPERATION

- Handle operates counterclockwise through a 270° arc with off at 6 o'clock and maximum hot at the 9 o'clock position. Shut off in clockwise direction
- Adjustable temperature limit stop to control maximum hot water temperature
- Pressure balancing mechanism maintains selected discharge temperature to  $\pm 3^\circ$

### FLOW

- Showerhead is limited to 2.5 gpm (9.5 L/min) at 80 psi
- EP suffix models are limited to 1.75 gpm (6.6 L/min) at 80 psi
- NH suffix models contain no showerhead

### CARTRIDGE

- 1222 cartridge design
- Nonmetallic/nonferrous and stainless steel materials
- Accommodates back to back installations

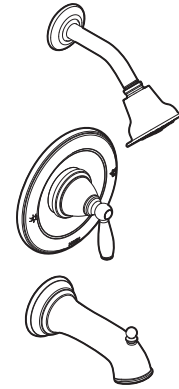
### STANDARDS

- Third party certified to meet ASME A112.18.1/CSA B125.1 and all applicable requirements referenced therein
- EP suffix models are third party certified to WaterSense®

- ADA  for lever handle

### WARRANTY

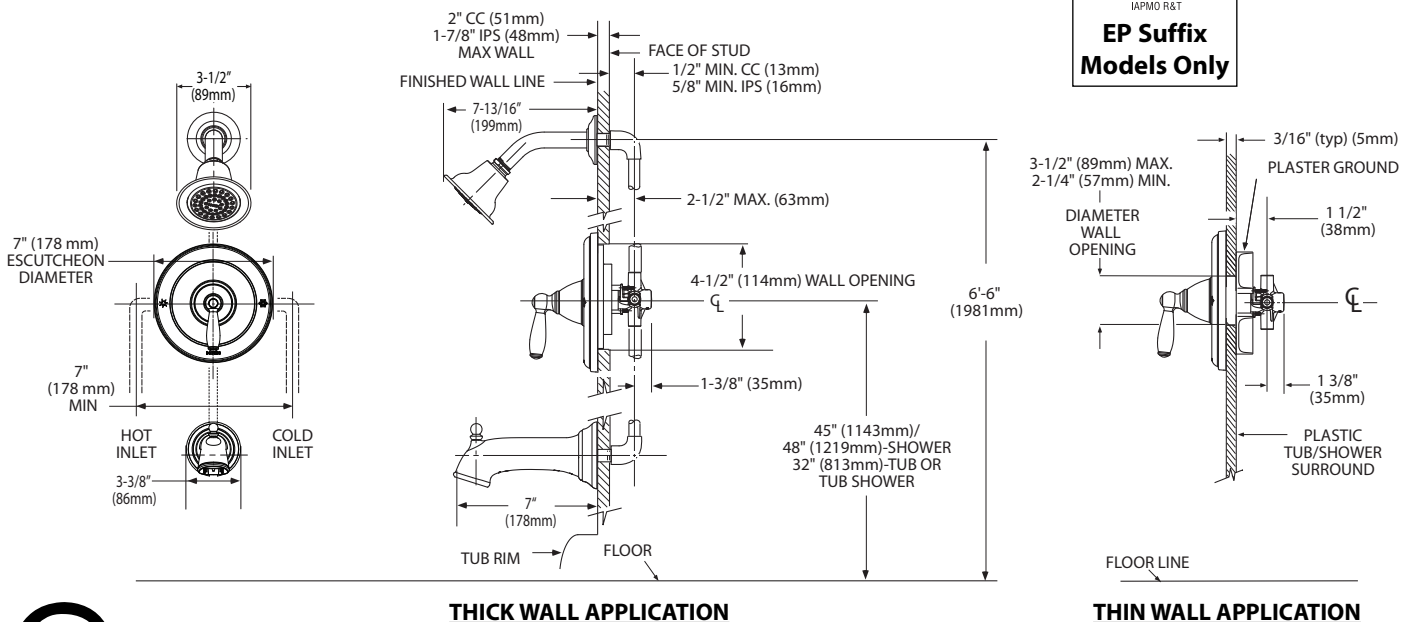
- Lifetime limited warranty against leaks, drips and finish defects to the original consumer purchaser
- 5 year warranty if used in commercial installations



## BRANTFORD™ POSI-TEMP® Single-Handle Tub/Shower Trim Kit

- Models:** T2151 series - valve trim only  
T62151 (Bulk Packed 12 per carton)  
T2152 series - shower trim only  
T62152 (Bulk Packed 12 per carton)  
T2153 series - tub/shower trim  
T62153 (Bulk Packed 12 per carton)

- Valves:** 62300 series  
2500 series



## CRITICAL DIMENSIONS

(DO NOT SCALE)

## DESCRIPTION

- Metal construction with finish identified by suffix
- 1/2" IPS connections for flexible hoses only; not for use with rigid or semi-rigid supply risers (3/8" Copper or Pex) with coupling nuts
- Installation through 3 holes, 1" min. diameter, and 4" on center
- Includes pop-up waste assembly

## OPERATION

- Lever handles
- Maximum handle rotation angle is 90° to full on
- Hot side counterclockwise to open (clockwise to close)
- Cold side clockwise to open (counterclockwise to close)

## FLOW

- Water usage is limited to the maximum flow rates as indicated by the corresponding product markings
  - 1.2 gpm max (4.5 L/min) at 60 psi

## CARTRIDGE

- 1234 cartridge
- Nonmetallic and stainless steel material

## STANDARDS

- Third party certified at WaterSense®, ASME A112.18.1/CSA B125.1, and all applicable requirements referenced therein including NSF 61/9 & 372
- Products marked with 1.2 gpm are compliant with California water efficiency regulations
- Complies with California Proposition 65 and with the Federal Safe Drinking Water Act
- ADA ♿ for lever handles

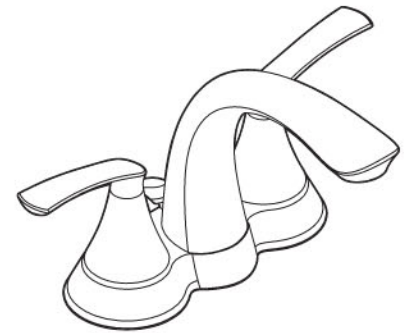
## WARRANTY

- Limited lifetime warranty against leaks, drips and finish defects to the original consumer purchaser
- 10 year warranty when used in a multifamily installation
- 5 year warranty when used in a commercial installation

Visit [www.moen.com/support](http://www.moen.com/support) for complete details and limitations

## OPTIONS (See Illustrated Parts page)

- Thin and thick deck mounting hardware kits available

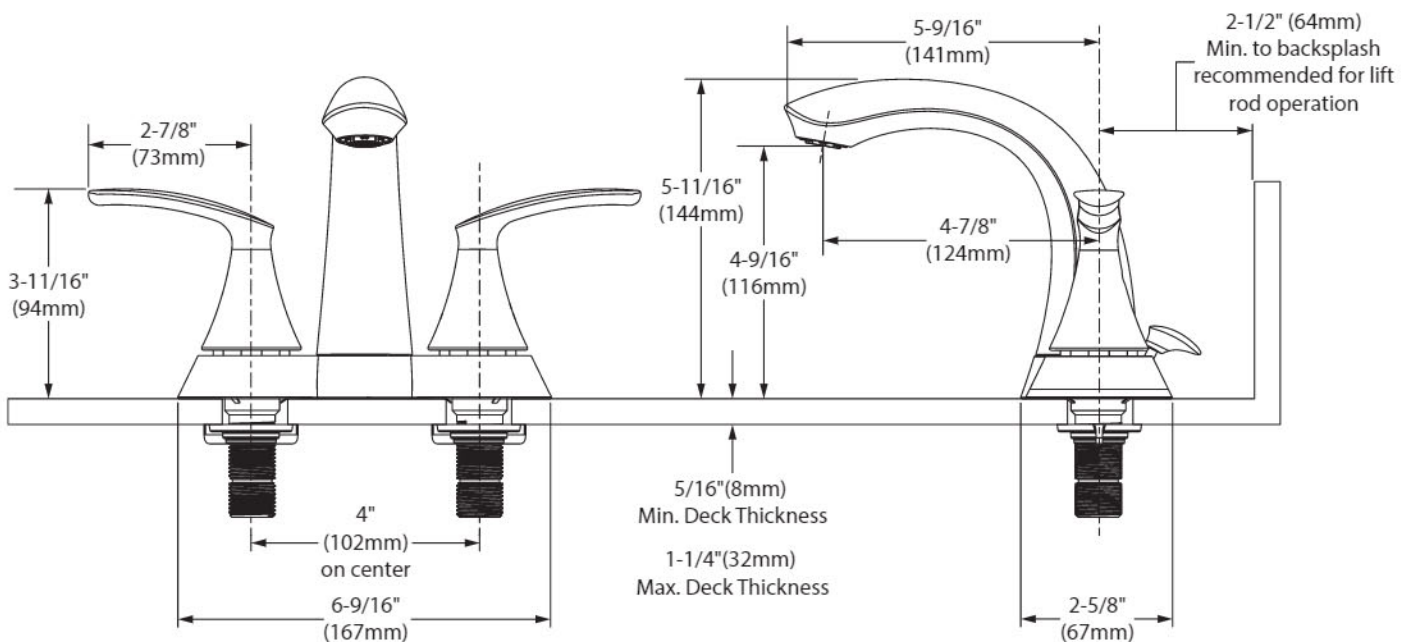


**SEENA™**

**Two-Handle 4" Centerset Lavatory Faucet**

### Models:

5010 series includes pop-up waste



## CRITICAL DIMENSIONS

(DO NOT SCALE)

### DESCRIPTION

- Versatile, hands-free convenience in the kitchen
- Optimized cleaning force with PowerClean™
- Allows users to control the faucet in 2 unique ways: Wave Sensor and familiar handle
- Powered by 6 AA batteries or optional AC adapter with power splitter
- High arc spout provides height and reach to fill or clean large pots while pull down wand provides the maneuverability for cleaning or rinsing
- Reflex™ pulldown system offers smooth operation, easy movement and secure docking
- Metal construction with various finishes identified by suffix
- Pulldown spray with 68" braided hose
- Flexible supply lines with 3/8" compression fittings
- Quick connect installation - Duralock™
- Faucet designed for handle to be mounted on right side

### OPERATION

- Lever style handle
- Temperature controlled by 100° arc of handle travel
- Operates with less than 5 lbs. of force
- Operates in stream or spray mode in the pulldown or retracted position

### FLOW

- Flow is limited to 1.5 gpm (5.7 L/min) at 60 psi

### CARTRIDGE

- 1255™ Duralast™ cartridge for Single-Handle Faucets

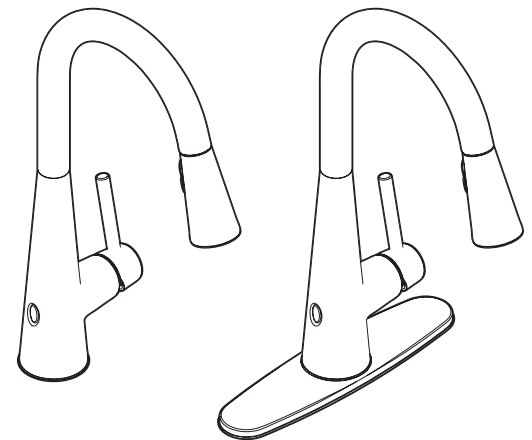
### STANDARDS

- Third party certified to ASME A112.18.1/CSA B125.1 and all applicable requirements referenced therein including NSF 61/9 & 372
- Meets CalGreen and Georgia SB370 requirements
- Complies with California Proposition 65 and with the Federal Safe Drinking Water Act
- The backflow protection system in the device consists of two independently operating check valves, a primary and a secondary which prevent backflow
- ADA ♿ for lever handle

### WARRANTY

- Lifetime limited warranty against leaks, drips and finish defects to the original homeowner
- 10 year limited warranty when used in a multifamily installation
- 5 year limited warranty when used in a commercial installation

Visit [www.moen.com/support](http://www.moen.com/support) for complete details and limitations



### Sleek™ MotionSense Wave™ Single Handle High Arc Pulldown Kitchen Faucet

**Models:** 7864EW series

**NOTE:** THIS FAUCET IS DESIGNED TO BE  
INSTALLED THROUGH 1 OR 3 HOLES,  
1-1/2" (38mm) MIN. DIA.



See pages 2 and 3 for dimensions



VITREOUS CHINA

TOILET  
**21-918**

LAVATORIES

TOILETS

BIDETS / URINALS

CAST IRON



# MAXWELL® 1.28 ErgoHeight™ 17" High Elongated Toilet

12" Rough-in

### Features:

- 1.28 gpf/4.8 Lpf high efficiency two-piece toilet
- Elongated ErgoHeight™ bowl
- Dual-fed siphon jet
- Pilot fill valve
- 3" flush valve
- 2" glazed trapway
- Color matched front tank lever (white only)
- Optional insulated non-sweating tank
- Optional right-handed trip lever
- Available in White, Bone and Biscuit
- 2 bolt caps
- ADA Compliant

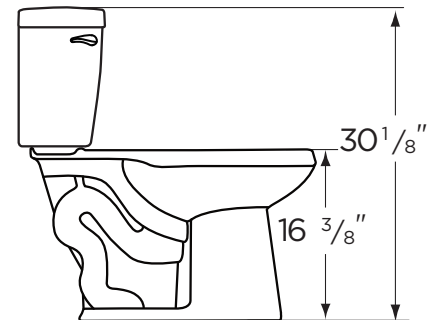
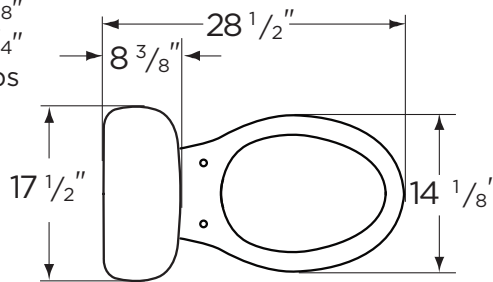


**Specifications:** Bowl—#21-928 Front Bowl  
Seat not included

Tank—#28-990

### Dimensions:

- Height ..... 30 1/8"
- Width ..... 17 1/2"
- Depth ..... 28 1/2"
- Rough-in ..... 12"
- Water Surface from Rim ..... 6 1/2"
- Trapway ..... 2"
- Water Surface ..... 8 7/8" x 7 3/8"
- Water Seal ..... 2 1/4"
- Shipping Weight ..... 85.5 lbs



THIS FIXTURE QUALIFIES ACCORDING TO ASME TEST PROCEDURES AS A HIGH EFFICIENCY WATER CLOSET WITH AN AVERAGE CONSUMPTION OF 1.28 gpf (4.8 Lpf) OR LESS.

HIGH EFFICIENCY TOILET  
**HET**

www.gerberonline.com

Job Name	
Date	
Model Specified	
Quantity	
Customer	
Contractor	
Architect/engineer	