

Trenco
818 Soundside Rd
Edenton, NC 27932

Re: 238_2338_A
KB Home 238.2338.A

The truss drawing(s) referenced below have been prepared by Truss Engineering Co. under my direct supervision based on the parameters provided by 84 Components - #2383.

Pages or sheets covered by this seal: I44249965 thru I44249985

My license renewal date for the state of North Carolina is December 31, 2021.

North Carolina COA: C-0844



January 7, 2021

Sevier, Scott

IMPORTANT NOTE: The seal on these truss component designs is a certification that the engineer named is licensed in the jurisdiction(s) identified and that the designs comply with ANSI/TPI 1. These designs are based upon parameters shown (e.g., loads, supports, dimensions, shapes and design codes), which were given to MiTek or TRENCO. Any project specific information included is for MiTek's or TRENCO's customers file reference purpose only, and was not taken into account in the preparation of these designs. MiTek or TRENCO has not independently verified the applicability of the design parameters or the designs for any particular building. Before use, the building designer should verify applicability of design parameters and properly incorporate these designs into the overall building design per ANSI/TPI 1, Chapter 2.

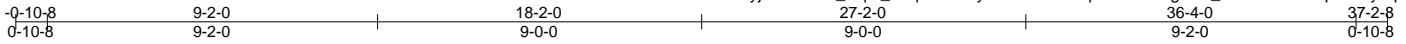
Job 238_2338_A	Truss A	Truss Type ROOF TRUSS	Qty 4	Ply 1	KB Home 238.2338.A	144249965
-------------------	------------	--------------------------	----------	----------	--------------------	-----------

84 Components (Dunn), Dunn, NC - 28334,

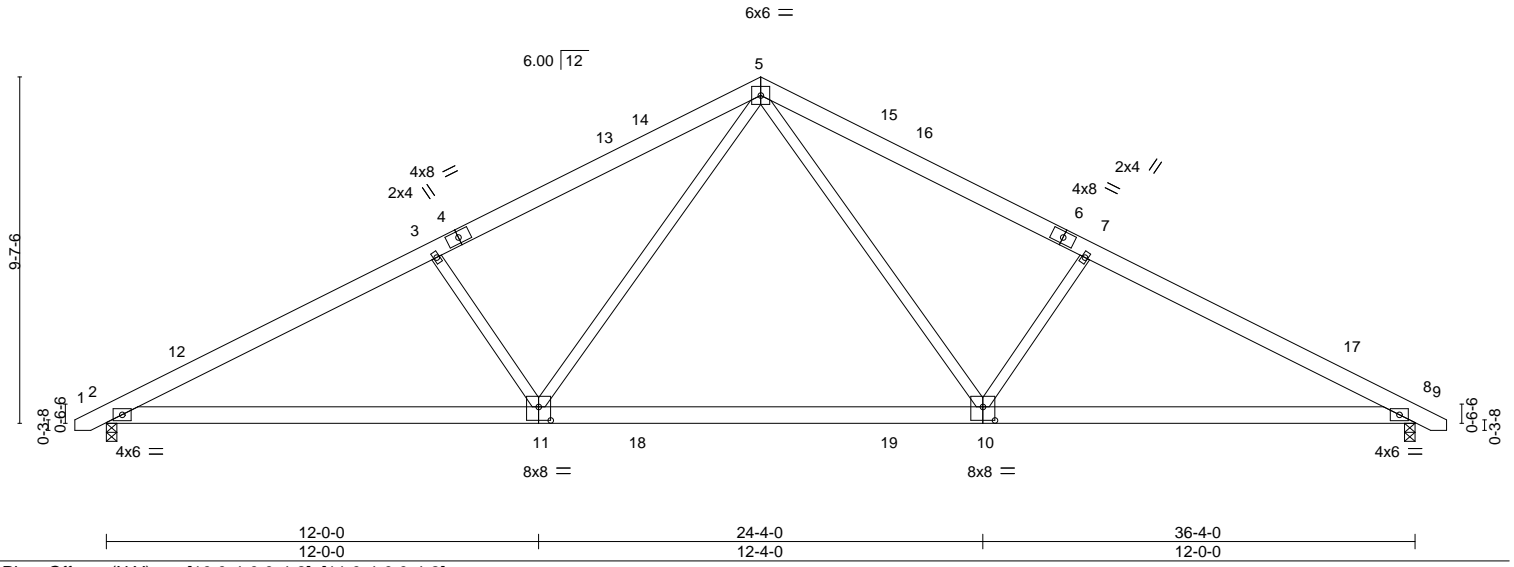
8.430 s Nov 30 2020 MiTek Industries, Inc. Wed Jan 6 14:06:27 2021 Page 1

ID:byj??x6A9z5_viqm_kAqhrzC2Gy-nL6ZFm7VIEpbDS4SZagKxN_la97c4O9zJLqNQvzy2qw

Job Reference (optional)



Scale: 3/16"=1'



LOADING (psf)		SPACING-	2-0-0	CSI.		DEFL.	in (loc)	l/defl	L/d	PLATES	GRIP	
TCLL (roof)	20.0	Plate Grip DOL	1.15	TC	0.50	Vert(LL)	-0.32	10-11	>999	240	MT20	244/190
Snow (Pf/Pg)	11.6/15.0	Lumber DOL	1.15	BC	0.78	Vert(CT)	-0.47	10-11	>925	180		
TCDL	10.0	Rep Stress Incr	YES	WB	0.38	Horz(CT)	0.07	8	n/a	n/a		
BCLL	0.0 *	Code IRC2015/TPI2014		Matrix-S								
BCDL	10.0										Weight: 232 lb	FT = 20%

LUMBER-		BRACING-	
TOP CHORD	2x6 SP No.2	TOP CHORD	Structural wood sheathing directly applied or 4-0-8 oc purlins.
BOT CHORD	2x6 SP No.2	BOT CHORD	Rigid ceiling directly applied or 10-0-0 oc bracing.
WEBS	2x4 SP No.3		

REACTIONS. (size) 2=0-3-8, 8=0-3-8
 Max Horz 2=-134(LC 21)
 Max Uplift 2=-93(LC 16), 8=-93(LC 17)
 Max Grav 2=1490(LC 2), 8=1490(LC 2)

FORCES. (lb) - Max. Comp./Max. Ten. - All forces 250 (lb) or less except when shown.
 TOP CHORD 2-3=-2552/170, 3-5=-2276/191, 5-7=-2276/191, 7-8=-2552/170
 BOT CHORD 2-11=-186/2204, 10-11=0/1432, 8-10=-53/2204
 WEBS 5-10=-90/922, 7-10=-549/267, 5-11=-90/922, 3-11=-549/267

NOTES-

- 1) Unbalanced roof live loads have been considered for this design.
- 2) Wind: ASCE 7-10; Vult=120mph Vasd=95mph; TCDL=6.0psf; BCDL=6.0psf; h=30ft; Cat. II; Exp B; Enclosed; MWFRS (envelope) gable end zone and C-C Exterior(2) -0-7-14 to 2-4-2, Interior(1) 2-4-2 to 18-2-0, Exterior(2) 18-2-0 to 21-2-0, Interior(1) 21-2-0 to 36-11-14 zone; cantilever left and right exposed; end vertical left and right exposed; C-C for members and forces & MWFRS for reactions shown; Lumber DOL=1.60 plate grip DOL=1.60
- 3) TCLL: ASCE 7-10; Pr=20.0 psf (roof live load: Lumber DOL=1.15 Plate DOL=1.15); Pg=15.0 psf (ground snow); Pf=11.6 psf (flat roof snow: Lumber DOL=1.15 Plate DOL=1.15); Category II; Exp B; Partially Exp.; Ct=1.10
- 4) Unbalanced snow loads have been considered for this design.
- 5) This truss has been designed for greater of min roof live load of 12.0 psf or 1.00 times flat roof load of 11.6 psf on overhangs non-concurrent with other live loads.
- 6) This truss has been designed for a 10.0 psf bottom chord live load nonconcurrent with any other live loads.
- 7) * This truss has been designed for a live load of 20.0psf on the bottom chord in all areas where a rectangle 3-6-0 tall by 2-0-0 wide will fit between the bottom chord and any other members, with BCDL = 10.0psf.
- 8) One H2.5A Simpson Strong-Tie connectors recommended to connect truss to bearing walls due to UPLIFT at jt(s) 2 and 8. This connection is for uplift only and does not consider lateral forces.
- 9) ATTIC SPACE SHOWN IS DESIGNED AS UNINHABITABLE.



January 7, 2021

Job 238_2338_A	Truss A1	Truss Type COMMON	Qty 6	Ply 1	KB Home 238.2338.A	144249966
-------------------	-------------	----------------------	----------	----------	--------------------	-----------

84 Components (Dunn), Dunn, NC - 28334,

8.430 s Nov 30 2020 MiTek Industries, Inc. Wed Jan 6 14:06:29 2021 Page 1

ID:byj??x6A9z5_viqm_kAqhrzC2Gy-kkDjgR8IHs3JTmDrh?io1o4c9zoMYHqFmJUvOzy2qu



Scale = 1:72.9

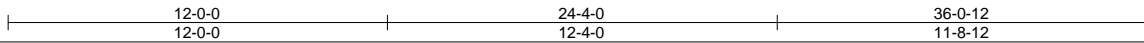
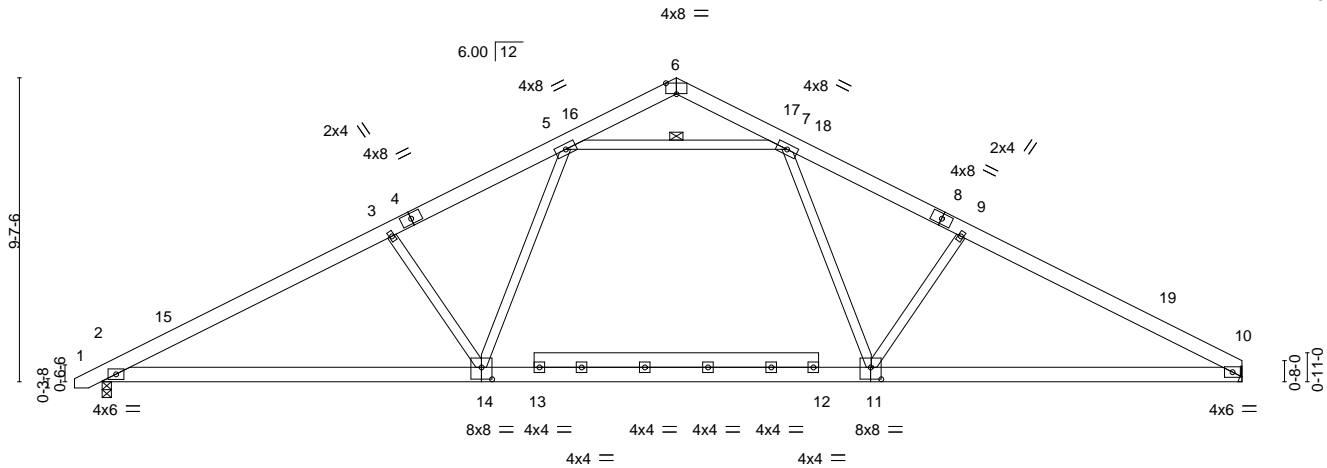


Plate Offsets (X, Y)-- [6:0-4-0,Edge], [11:0-4-0,0-4-8], [14:0-4-0,0-4-8]

LOADING (psf)		SPACING-	2-0-0	CSI.	DEFL.	in (loc)	l/defl	L/d	PLATES	GRIP
TCLL (roof)	20.0	Plate Grip DOL	1.15	TC	Vert(LL)	-0.28	2-14	>999	MT20	244/190
Snow (Pf/Pg)	11.6/15.0	Lumber DOL	1.15	BC	Vert(CT)	-0.45	2-14	>960		
TCDL	10.0	Rep Stress Incr	YES	WB	Horz(CT)	0.07	10	n/a		
BCLL	0.0 *	Code IRC2015/TPI2014		Matrix-S						
BCDL	10.0								Weight: 250 lb	FT = 20%

LUMBER-		BRACING-	
TOP CHORD	2x6 SP No.2	TOP CHORD	Structural wood sheathing directly applied or 3-7-2 oc purlins.
BOT CHORD	2x6 SP No.2	BOT CHORD	Rigid ceiling directly applied or 10-0-0 oc bracing.
WEBS	2x4 SP No.3	WEBS	1 Row at midpt 5-7

REACTIONS. (size) 2=0-3-8, 10=Mechanical
 Max Horz 2=138(LC 16)
 Max Uplift 2=-94(LC 16), 10=-79(LC 17)
 Max Grav 2=1483(LC 2), 10=1434(LC 2)

FORCES. (lb) - Max. Comp./Max. Ten. - All forces 250 (lb) or less except when shown.
 TOP CHORD 2-3=-2511/156, 3-5=-2274/170, 5-6=-306/92, 6-7=-322/93, 7-9=-2258/177, 9-10=-2487/163
 BOT CHORD 2-14=-175/2162, 11-14=-13/1702, 10-11=-53/2132
 WEBS 7-11=-57/775, 9-11=-534/264, 5-14=-58/802, 3-14=-564/263, 5-7=-1488/130

- NOTES-**
- 1) Unbalanced roof live loads have been considered for this design.
 - 2) Wind: ASCE 7-10; Vult=120mph Vasd=95mph; TCDL=6.0psf; BCDL=6.0psf; h=30ft; Cat. II; Exp B; Enclosed; MWFRS (envelope) gable end zone and C-C Exterior(2) -0-7-14 to 2-4-2, Interior(1) 2-4-2 to 18-2-0, Exterior(2) 18-2-0 to 21-2-0, Interior(1) 21-2-0 to 36-0-0 zone; cantilever left and right exposed ; end vertical left and right exposed;C-C for members and forces & MWFRS for reactions shown; Lumber DOL=1.60 plate grip DOL=1.60
 - 3) TCLL: ASCE 7-10; Pr=20.0 psf (roof live load: Lumber DOL=1.15 Plate DOL=1.15); Pg=15.0 psf (ground snow); Pf=11.6 psf (flat roof snow: Lumber DOL=1.15 Plate DOL=1.15); Category II; Exp B; Partially Exp.; Ct=1.10
 - 4) Unbalanced snow loads have been considered for this design.
 - 5) This truss has been designed for greater of min roof live load of 12.0 psf or 1.00 times flat roof load of 11.6 psf on overhangs non-concurrent with other live loads.
 - 6) This truss has been designed for a 10.0 psf bottom chord live load nonconcurrent with any other live loads.
 - 7) * This truss has been designed for a live load of 20.0psf on the bottom chord in all areas where a rectangle 3-6-0 tall by 2-0-0 wide will fit between the bottom chord and any other members, with BCDL = 10.0psf.
 - 8) Refer to girder(s) for truss to truss connections.
 - 9) Provide mechanical connection (by others) of truss to bearing plate capable of withstanding 100 lb uplift at joint(s) 10.
 - 10) One H2.5A Simpson Strong-Tie connectors recommended to connect truss to bearing walls due to UPLIFT at jt(s) 2. This connection is for uplift only and does not consider lateral forces.
 - 11) ATTIC SPACE SHOWN IS DESIGNED AS UNINHABITABLE.



January 7, 2021

Job 238_2338_A	Truss A2	Truss Type COMMON	Qty 9	Ply 1	KB Home 238.2338.A Job Reference (optional)	144249967
-------------------	-------------	----------------------	----------	----------	--	-----------

84 Components (Dunn), Dunn, NC - 28334,

8.430 s Nov 30 2020 MiTek Industries, Inc. Wed Jan 6 14:06:30 2021 Page 1

ID:byj??x6A9z5_viqm_kAqhrzC2Gy-Cwnhtn9N29BA4wo1FID1Z?cpiN8KHluP?J311Ezy2qt



Scale = 1:62.8

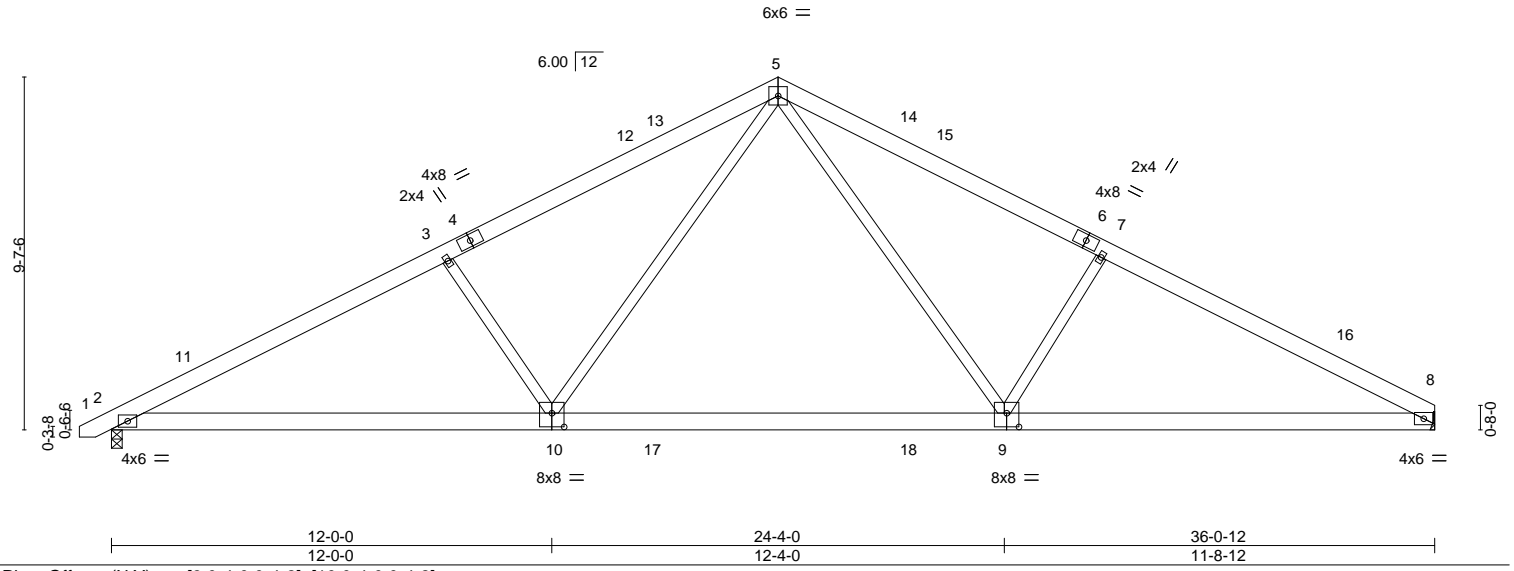


Plate Offsets (X,Y)--	[9:0-4-0,0-4-8], [10:0-4-0,0-4-8]
-----------------------	-----------------------------------

LOADING (psf)	SPACING-	CSI.	DEFL.	PLATES	GRIP
TCLL (roof) 20.0	2-0-0	TC 0.51	in (loc) l/defl L/d	MT20	244/190
Snow (Pf/Pg) 11.6/15.0	Plate Grip DOL 1.15	BC 0.78	Vert(LL) -0.32 9-10 >999 240		
TCDL 10.0	Lumber DOL 1.15	WB 0.38	Vert(CT) -0.47 9-10 >924 180		
BCLL 0.0 *	Rep Stress Incr YES	Matrix-S	Horz(CT) 0.07 8 n/a n/a		
BCDL 10.0	Code IRC2015/TPI2014			Weight: 228 lb	FT = 20%

LUMBER-	BRACING-
TOP CHORD 2x6 SP No.2	TOP CHORD Structural wood sheathing directly applied or 3-10-15 oc purlins.
BOT CHORD 2x6 SP No.2	BOT CHORD Rigid ceiling directly applied or 10-0-0 oc bracing.
WEBS 2x4 SP No.3	

REACTIONS. (size) 2=0-3-8, 8=Mechanical
 Max Horz 2=138(LC 16)
 Max Uplift 2=94(LC 16), 8=79(LC 17)
 Max Grav 2=1483(LC 2), 8=1434(LC 2)

FORCES. (lb) - Max. Comp./Max. Ten. - All forces 250 (lb) or less except when shown.
 TOP CHORD 2-3=-2537/170, 3-5=-2261/191, 5-7=-2249/201, 7-8=-2502/164
 BOT CHORD 2-10=-190/2191, 9-10=0/1418, 8-9=-54/2149
 WEBS 3-10=-549/267, 5-10=-90/922, 5-9=-96/910, 7-9=-527/267

- NOTES-**
- Unbalanced roof live loads have been considered for this design.
 - Wind: ASCE 7-10; Vult=120mph Vasd=95mph; TCDL=6.0psf; BCDL=6.0psf; h=30ft; Cat. II; Exp B; Enclosed; MWFRS (envelope) gable end zone and C-C Exterior(2) -0-7-14 to 2-4-2, Interior(1) 2-4-2 to 18-2-0, Exterior(2) 18-2-0 to 21-2-0, Interior(1) 21-2-0 to 36-0-0 zone; cantilever left and right exposed; end vertical left and right exposed; C-C for members and forces & MWFRS for reactions shown; Lumber DOL=1.60 plate grip DOL=1.60
 - TCLL: ASCE 7-10; Pr=20.0 psf (roof live load: Lumber DOL=1.15 Plate DOL=1.15); Pg=15.0 psf (ground snow); Pf=11.6 psf (flat roof snow: Lumber DOL=1.15 Plate DOL=1.15); Category II; Exp B; Partially Exp.; Ct=1.10
 - Unbalanced snow loads have been considered for this design.
 - This truss has been designed for greater of min roof live load of 12.0 psf or 1.00 times flat roof load of 11.6 psf on overhangs non-concurrent with other live loads.
 - This truss has been designed for a 10.0 psf bottom chord live load nonconcurrent with any other live loads.
 - * This truss has been designed for a live load of 20.0psf on the bottom chord in all areas where a rectangle 3-6-0 tall by 2-0-0 wide will fit between the bottom chord and any other members, with BCDL = 10.0psf.
 - Refer to girder(s) for truss to truss connections.
 - Provide mechanical connection (by others) of truss to bearing plate capable of withstanding 100 lb uplift at joint(s) 8.
 - One H2.5A Simpson Strong-Tie connectors recommended to connect truss to bearing walls due to UPLIFT at jt(s) 2. This connection is for uplift only and does not consider lateral forces.



Job 238_2338_A	Truss AE	Truss Type Common Supported Gable	Qty 2	Ply 1	KB Home 238.2338.A Job Reference (optional)	144249968
-------------------	-------------	--------------------------------------	----------	----------	--	-----------

84 Components (Dunn), Dunn, NC - 28334,

8.430 s Nov 30 2020 MiTek Industries, Inc. Wed Jan 6 14:06:33 2021 Page 1

ID:byj??x6A9z5_viqm_kAqhrzC2Gy-cvTqWpBGL4ZkxNXcwrnlBeEQnaMFUAgRhHlHeZzy2qq



Scale = 1:67.2

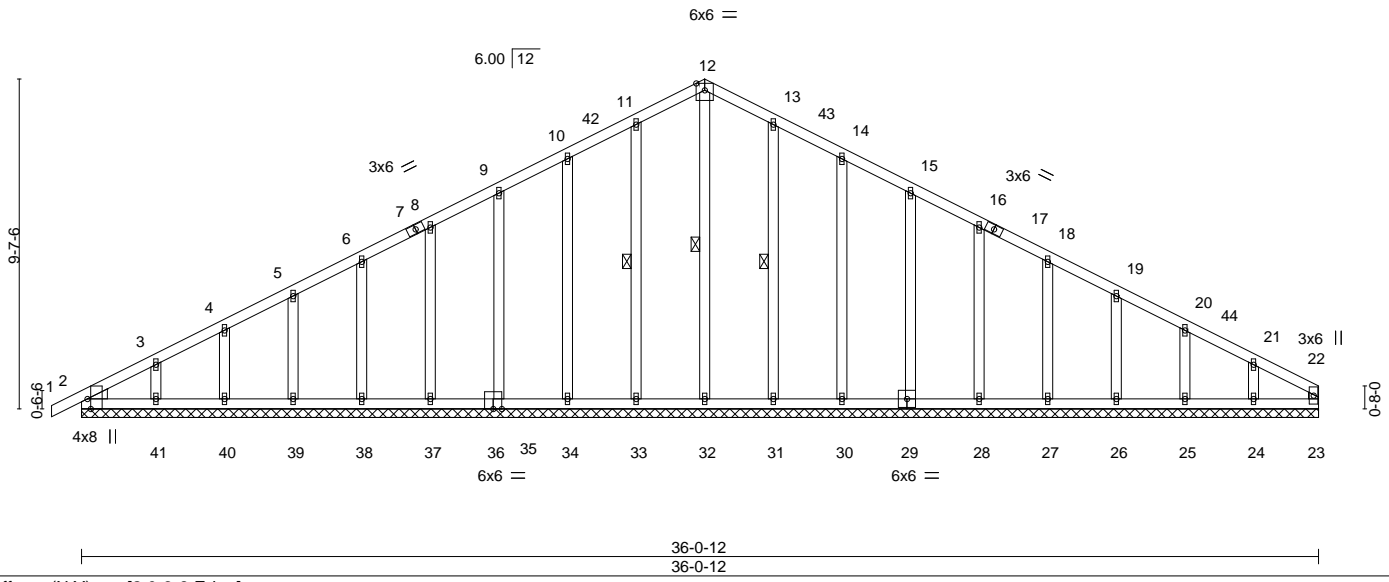


Plate Offsets (X, Y)-- [2:0-3-8, Edge]									
LOADING (psf)		SPACING-	2-0-0	CSI.		DEFL.	in (loc) l/defl L/d	PLATES	GRIP
TCLL (roof)	20.0	Plate Grip DOL	1.15	TC	0.07	Vert(LL)	-0.00 1 n/r 120	MT20	197/144
Snow (Pf/Pg)	11.6/15.0	Lumber DOL	1.15	BC	0.06	Vert(CT)	0.00 1 n/r 120		
TCDL	10.0	Rep Stress Incr	YES	WB	0.12	Horz(CT)	0.01 23 n/a n/a		
BCLL	0.0 *	Code IRC2015/TPI2014		Matrix-S				Weight: 239 lb	FT = 20%
BCDL	10.0								

LUMBER-		BRACING-	
TOP CHORD	2x4 SP No.2 or 2x4 SPF No.2	TOP CHORD	Structural wood sheathing directly applied or 6-0-0 oc purlins, except end verticals.
BOT CHORD	2x4 SP No.2 or 2x4 SPF No.2	BOT CHORD	Rigid ceiling directly applied or 10-0-0 oc bracing.
WEBS	2x4 SP No.3	WEBS	1 Row at midpt 12-32, 11-33, 13-31
OTHERS	2x4 SP No.3		
WEDGE			
Left: 2x4 SP No.3			

REACTIONS. All bearings 36-0-12.
 (lb) - Max Horz 2=147(LC 16)
 Max Uplift All uplift 100 lb or less at joint(s) 2, 33, 34, 35, 37, 38, 39, 40, 41, 31, 30, 29, 28, 27, 26, 25, 24
 Max Grav All reactions 250 lb or less at joint(s) 23, 2, 32, 33, 34, 35, 37, 38, 39, 40, 41, 31, 30, 29, 28, 27, 26, 25, 24

FORCES. (lb) - Max. Comp./Max. Ten. - All forces 250 (lb) or less except when shown.
 TOP CHORD 11-12=-98/266, 12-13=-98/268

- NOTES-**
- Unbalanced roof live loads have been considered for this design.
 - Wind: ASCE 7-10; Vult=120mph Vasd=95mph; TCDL=6.0psf; BCDL=6.0psf; h=30ft; Cat. II; Exp B; Enclosed; MWFRS (envelope) gable end zone and C-C Corner(3) -0-10-8 to 2-2-0, Exterior(2) 2-2-0 to 18-2-0, Corner(3) 18-2-0 to 21-2-0, Exterior(2) 21-2-0 to 35-11-0 zone; C-C for members and forces & MWFRS for reactions shown; Lumber DOL=1.60 plate grip DOL=1.60
 - Truss designed for wind loads in the plane of the truss only. For studs exposed to wind (normal to the face), see Standard Industry Gable End Details as applicable, or consult qualified building designer as per ANSI/TPI 1.
 - TCLL: ASCE 7-10; Pr=20.0 psf (roof live load: Lumber DOL=1.15 Plate DOL=1.15); Pg=15.0 psf (ground snow); Pf=11.6 psf (flat roof snow: Lumber DOL=1.15 Plate DOL=1.15); Category II; Exp B; Partially Exp.; Ct=1.10
 - Unbalanced snow loads have been considered for this design.
 - This truss has been designed for greater of min roof live load of 12.0 psf or 1.00 times flat roof load of 11.6 psf on overhangs non-concurrent with other live loads.
 - All plates are 1.5x4 MT20 unless otherwise indicated.
 - Gable requires continuous bottom chord bearing.
 - Gable studs spaced at 2-0-0 oc.
 - This truss has been designed for a 10.0 psf bottom chord live load nonconcurrent with any other live loads.
 - * This truss has been designed for a live load of 20.0psf on the bottom chord in all areas where a rectangle 3-6-0 tall by 2-0-0 wide will fit between the bottom chord and any other members.
 - n/a
 - Beveled plate or shim required to provide full bearing surface with truss chord at joint(s) 2.



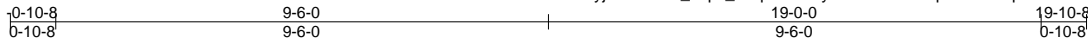
January 7, 2021

<p>WARNING - Verify design parameters and READ NOTES ON THIS AND INCLUDED MITEK REFERENCE PAGE MII-7473 rev. 5/19/2020 BEFORE USE.</p> <p>Design valid for use only with MiTek® connectors. This design is based only upon parameters shown, and is for an individual building component, not a truss system. Before use, the building designer must verify the applicability of design parameters and properly incorporate this design into the overall building design. Bracing indicated is to prevent buckling of individual truss web and/or chord members only. Additional temporary and permanent bracing is always required for stability and to prevent collapse with possible personal injury and property damage. For general guidance regarding the fabrication, storage, delivery, erection and bracing of trusses and truss systems, see ANSI/TPI Quality Criteria, DSB-89 and BCSI Building Component Safety Information available from Truss Plate Institute, 2670 Crain Highway, Suite 203 Waldorf, MD 20601</p>	<p>818 Soundside Road Edenton, NC 27932</p>
---	---

Job 238_2338_A	Truss BE	Truss Type Common Supported Gable	Qty 1	Ply 1	KB Home 238.2338.A Job Reference (optional)	144249969
-------------------	-------------	--------------------------------------	----------	----------	--	-----------

84 Components (Dunn), Dunn, NC - 28334, 8.430 s Nov 30 2020 MiTek Industries, Inc. Wed Jan 6 14:06:35 2021 Page 1

ID:byj??x6A9z5_viqm_kAqhrzC2Gy-YuaaxVDWtiqSBhh?1GpDG3KnaO1By4W89anoiRzy2qo



4x4 =

Scale = 1:44.4

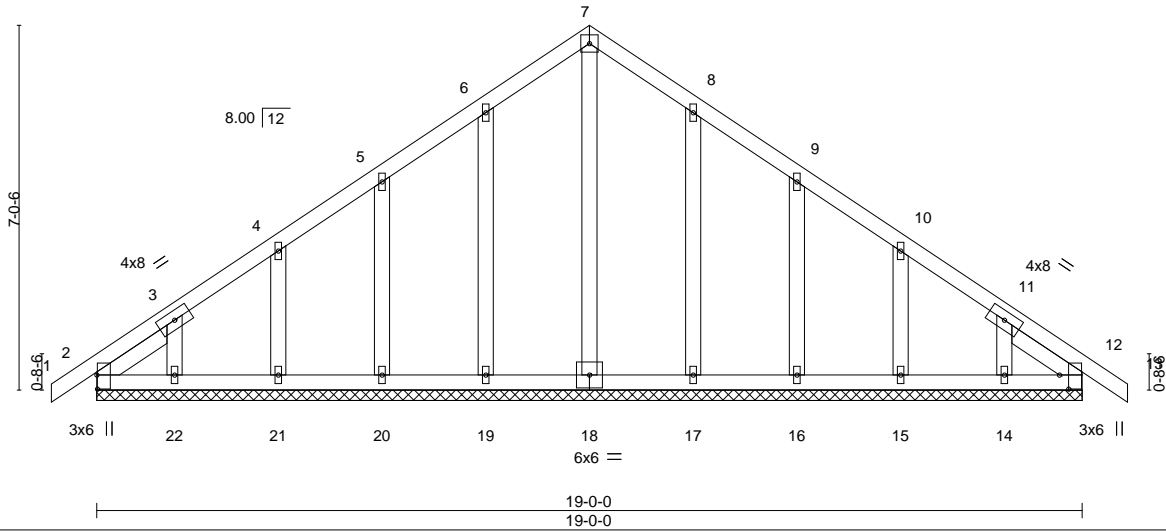


Plate Offsets (X,Y)-- [2:0-3-4,0-0-2], [12:0-3-4,0-2-2]

LOADING (psf)		SPACING-	2-0-0	CSI.	DEFL.	in	(loc)	l/defl	L/d	PLATES	GRIP
TCLL (roof)	20.0	Plate Grip DOL	1.15	TC	Vert(LL)	-0.00	12	n/r	120	MT20	197/144
Snow (Pf/Pg)	11.6/15.0	Lumber DOL	1.15	BC	Vert(CT)	-0.00	13	n/r	120		
TCDL	10.0	Rep Stress Incr	YES	WB	Horz(CT)	0.00	12	n/a	n/a		
BCLL	0.0 *	Code IRC2015/TPI2014		Matrix-S							
BCDL	10.0									Weight: 118 lb	FT = 20%

LUMBER-
TOP CHORD 2x4 SP No.2 or 2x4 SPF No.2
BOT CHORD 2x4 SP No.2 or 2x4 SPF No.2
OTHERS 2x4 SP No.3
SLIDER Left 2x4 SP No.3 -t 1-7-15, Right 2x4 SP No.3 -t 1-7-15

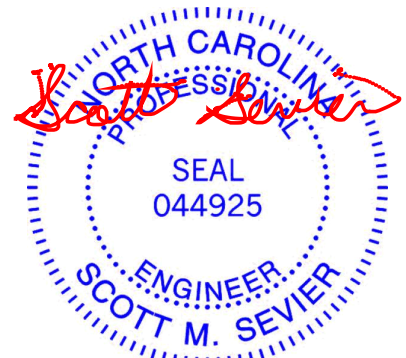
BRACING-
TOP CHORD Structural wood sheathing directly applied or 6-0-0 oc purlins.
BOT CHORD Rigid ceiling directly applied or 10-0-0 oc bracing.

REACTIONS. All bearings 19-0-0.
(lb) - Max Horz 2=146(LC 13)
Max Uplift All uplift 100 lb or less at joint(s) 2, 19, 20, 21, 22, 17, 16, 15, 14, 12
Max Grav All reactions 250 lb or less at joint(s) 2, 18, 19, 20, 21, 22, 17, 16, 15, 14, 12

FORCES. (lb) - Max. Comp./Max. Ten. - All forces 250 (lb) or less except when shown.

NOTES-

- Unbalanced roof live loads have been considered for this design.
- Wind: ASCE 7-10; Vult=120mph Vasd=95mph; TCDL=6.0psf; BCDL=6.0psf; h=30ft; Cat. II; Exp B; Enclosed; MWFRS (envelope) gable end zone and C-C Corner(3) -0-10-8 to 2-1-8, Exterior(2) 2-1-8 to 9-6-0, Corner(3) 9-6-0 to 12-6-0, Exterior(2) 12-6-0 to 19-10-8 zone; cantilever left and right exposed ; end vertical left and right exposed;C-C for members and forces & MWFRS for reactions shown; Lumber DOL=1.60 plate grip DOL=1.60
- Truss designed for wind loads in the plane of the truss only. For studs exposed to wind (normal to the face), see Standard Industry Gable End Details as applicable, or consult qualified building designer as per ANSI/TPI 1.
- TCLL: ASCE 7-10; Pr=20.0 psf (roof live load: Lumber DOL=1.15 Plate DOL=1.15); Pg=15.0 psf (ground snow); Pf=11.6 psf (flat roof snow: Lumber DOL=1.15 Plate DOL=1.15); Category II; Exp B; Partially Exp.; Ct=1.10
- This truss has been designed for greater of min roof live load of 12.0 psf or 1.00 times flat roof load of 11.6 psf on overhangs non-concurrent with other live loads.
- All plates are 1.5x4 MT20 unless otherwise indicated.
- Gable requires continuous bottom chord bearing.
- Gable studs spaced at 2-0-0 oc.
- This truss has been designed for a 10.0 psf bottom chord live load nonconcurrent with any other live loads.
- * This truss has been designed for a live load of 20.0psf on the bottom chord in all areas where a rectangle 3-6-0 tall by 2-0-0 wide will fit between the bottom chord and any other members.
- n/a
- Beveled plate or shim required to provide full bearing surface with truss chord at joint(s) 2.



January 7, 2021

WARNING - Verify design parameters and READ NOTES ON THIS AND INCLUDED MITEK REFERENCE PAGE MII-7473 rev. 5/19/2020 BEFORE USE.

Design valid for use only with MiTek® connectors. This design is based only upon parameters shown, and is for an individual building component, not a truss system. Before use, the building designer must verify the applicability of design parameters and properly incorporate this design into the overall building design. Bracing indicated is to prevent buckling of individual truss web and/or chord members only. Additional temporary and permanent bracing is always required for stability and to prevent collapse with possible personal injury and property damage. For general guidance regarding the fabrication, storage, delivery, erection and bracing of trusses and truss systems, see

ANSI/TPI1 Quality Criteria, DSB-89 and BCSI Building Component

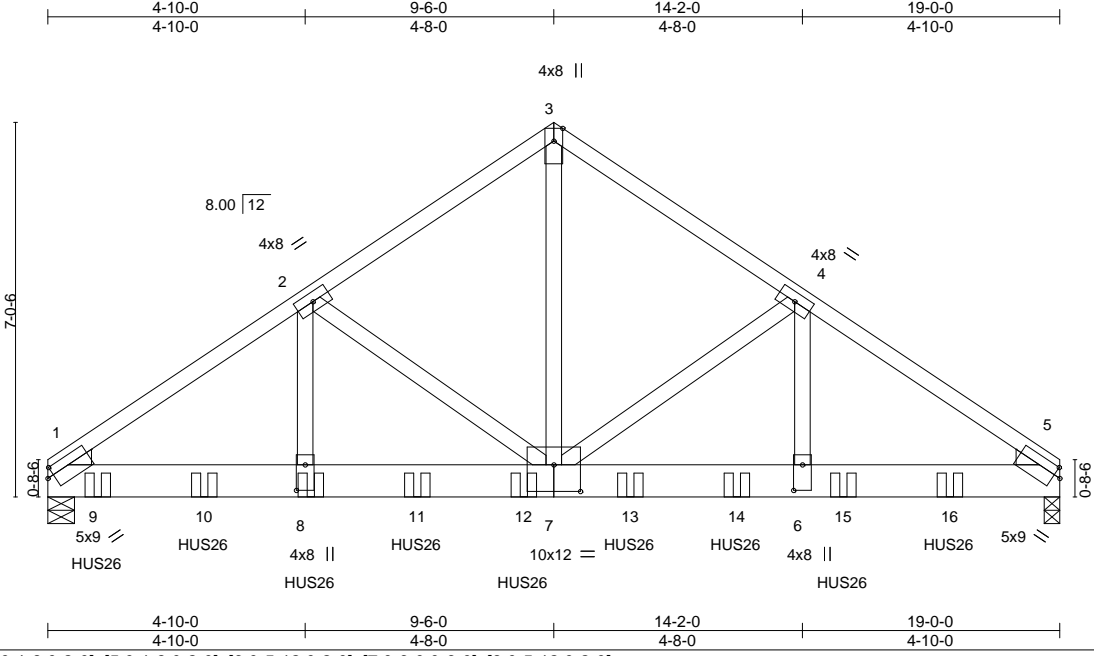
Safety Information available from Truss Plate Institute, 2670 Crain Highway, Suite 203 Waldorf, MD 20601



818 Soundside Road
Edenton, NC 27932

Job 238_2338_A	Truss BG	Truss Type COMMON GIRDER	Qty 1	Ply 2	KB Home 238.2338.A	144249970
-------------------	-------------	-----------------------------	----------	----------	--------------------	-----------

84 Components (Dunn), Dunn, NC - 28334, 8.430 s Nov 30 2020 MiTek Industries, Inc. Wed Jan 6 14:06:36 2021 Page 1
 ID:byj??x6A9z5_viqm_kAqhrzC2Gy-048y8rE8e?yJorGBbzKSpGslSnGShL5HNEWMFuzy2qn



Scale = 1:43.3

Plate Offsets (X, Y)-- [1:0-1-8,0-2-0], [5:0-1-8,0-2-0], [6:0-5-12,0-2-0], [7:0-6-0,0-6-0], [8:0-5-12,0-2-0]

LOADING (psf)	SPACING-	CSI.	DEFL.	PLATES	GRIP
TCLL (roof) 20.0	2-0-0	TC 0.87	in (loc) l/defl L/d	MT20	197/144
Snow (Pf/Pg) 11.6/15.0	Plate Grip DOL 1.15	BC 0.47	Vert(LL) -0.10 6-7 >999 240		
TCDL 10.0	Lumber DOL 1.15	WB 0.85	Vert(CT) -0.19 6-7 >999 180		
BCLL 0.0 *	Rep Stress Incr NO	Matrix-S	Horz(CT) 0.04 5 n/a n/a		
BCDL 10.0	Code IRC2015/TPI2014			Weight: 257 lb	FT = 20%

LUMBER-
 TOP CHORD 2x4 SP No.2 or 2x4 SPF No.2
 BOT CHORD 2x8 SP DSS
 WEBS 2x4 SP No.3 *Except*
 3-7: 2x4 SP No.2 or 2x4 SPF No.2

BRACING-
 TOP CHORD Structural wood sheathing directly applied or 3-1-2 oc purlins.
 BOT CHORD Rigid ceiling directly applied or 10-0-0 oc bracing.

WEDGE
 Left: 2x4 SP No.3 , Right: 2x4 SP No.3

REACTIONS. (size) 1=0-6-0, 5=(0-3-8 + TBE4 Simpson Strong-Tie) (req. 0-5-4)
 Max Horz 1=-138(LC 31)
 Max Uplift 1=-469(LC 10), 5=-416(LC 11)
 Max Grav 1=7537(LC 2), 5=6677(LC 2)

FORCES. (lb) - Max. Comp./Max. Ten. - All forces 250 (lb) or less except when shown.
 TOP CHORD 1-2=-9459/595, 2-3=-6563/473, 3-4=-6563/473, 4-5=-9469/598
 BOT CHORD 1-8=-505/7517, 7-8=-505/7517, 6-7=-426/7584, 5-6=-426/7584
 WEBS 3-7=-441/6909, 4-7=-2734/278, 4-6=-156/3301, 2-7=-2653/271, 2-8=-156/3329

- NOTES-**
- 2-ply truss to be connected together with 10d (0.131"x3") nails as follows:
 Top chords connected as follows: 2x4 - 1 row at 0-9-0 oc.
 Bottom chords connected as follows: 2x8 - 2 rows staggered at 0-6-0 oc.
 Webs connected as follows: 2x4 - 1 row at 0-9-0 oc.
 - All loads are considered equally applied to all plies, except if noted as front (F) or back (B) face in the LOAD CASE(S) section. Ply to ply connections have been provided to distribute only loads noted as (F) or (B), unless otherwise indicated.
 - Unbalanced roof live loads have been considered for this design.
 - Wind: ASCE 7-10; Vult=120mph Vasd=95mph; TCDL=6.0psf; BCDL=6.0psf; h=30ft; Cat. II; Exp B; Enclosed; MWFRS (envelope) gable end zone; cantilever left and right exposed ; end vertical left and right exposed; Lumber DOL=1.60 plate grip DOL=1.60
 - TCLL: ASCE 7-10; Pr=20.0 psf (roof live load: Lumber DOL=1.15 Plate DOL=1.15); Pg=15.0 psf (ground snow); Pf=11.6 psf (flat roof snow: Lumber DOL=1.15 Plate DOL=1.15); Category II; Exp B; Partially Exp.; Ct=1.10
 - This truss has been designed for a 10.0 psf bottom chord live load nonconcurrent with any other live loads.
 - * This truss has been designed for a live load of 20.0psf on the bottom chord in all areas where a rectangle 3-6-0 tall by 2-0-0 wide will fit between the bottom chord and any other members.
 - TBE4 Simpson Strong-Tie connectors recommended to connect truss to bearing walls due to UPLIFT at jt(s) 5. This connection is for uplift only and does not consider lateral forces.
 - One H2.5A Simpson Strong-Tie connectors recommended to connect truss to bearing walls due to UPLIFT at jt(s) 1. This connection is for uplift only and does not consider lateral forces.
 - Use Simpson Strong-Tie HUS26 (14-10d Girder, 4-10d Truss) or equivalent spaced at 2-0-0 oc max. starting at 0-11-4 from the left end to 16-11-4 to connect truss(es) to back face of bottom chord.
 - Fill all nail holes where hanger is in contact with lumber.



January 7, 2021

LOAD CASE(S) Standard

WARNING - Verify design parameters and READ NOTES ON THIS AND INCLUDED MITEK REFERENCE PAGE MII-7473 rev. 5/19/2020 BEFORE USE.
 Design valid for use only with MiTek® connectors. This design is based only upon parameters shown, and is for an individual building component, not a truss system. Before use, the building designer must verify the applicability of design parameters and properly incorporate this design into the overall building design. Bracing indicated is to prevent buckling of individual truss web and/or chord members only. Additional temporary and permanent bracing is always required for stability and to prevent collapse with possible personal injury and property damage. For general guidance regarding the fabrication, storage, delivery, erection and bracing of trusses and truss systems, see ANSIT/PTI Quality Criteria, DSB-89 and BCSI Building Component Safety Information available from Truss Plate Institute, 2670 Crain Highway, Suite 203 Waldorf, MD 20601



Job 238_2338_A	Truss BG	Truss Type COMMON GIRDER	Qty 1	Ply 2	KB Home 238.2338.A Job Reference (optional)	144249970
-------------------	-------------	-----------------------------	----------	-----------------	--	-----------

84 Components (Dunn), Dunn, NC - 28334,

8.430 s Nov 30 2020 MiTek Industries, Inc. Wed Jan 6 14:06:37 2021 Page 2
ID:byj??x6A9z5_viqm_kAqhrzC2Gy-VHiKLBfMfPJ4AQ?qN9hshLUPwCBchQoLRcuGvnKzy2qm

LOAD CASE(S) Standard

1) Dead + Snow (balanced): Lumber Increase=1.15, Plate Increase=1.15

Uniform Loads (plf)

Vert: 1-3=-43, 3-5=-43, 1-5=-20

Concentrated Loads (lb)

Vert: 8=-1111(B) 9=-1114(B) 10=-1111(B) 11=-1111(B) 12=-1111(B) 13=-1111(B) 14=-1111(B) 15=-1111(B) 16=-1111(B)

WARNING - Verify design parameters and READ NOTES ON THIS AND INCLUDED MITEK REFERENCE PAGE MII-7473 rev. 5/19/2020 BEFORE USE.

Design valid for use only with MiTek® connectors. This design is based only upon parameters shown, and is for an individual building component, not a truss system. Before use, the building designer must verify the applicability of design parameters and properly incorporate this design into the overall building design. Bracing indicated is to prevent buckling of individual truss web and/or chord members only. Additional temporary and permanent bracing is always required for stability and to prevent collapse with possible personal injury and property damage. For general guidance regarding the fabrication, storage, delivery, erection and bracing of trusses and truss systems, see **ANSI/TPI1 Quality Criteria, DSB-89 and BCSI Building Component Safety Information** available from Truss Plate Institute, 2670 Crain Highway, Suite 203 Waldorf, MD 20601



818 Soundside Road
Edenton, NC 27932

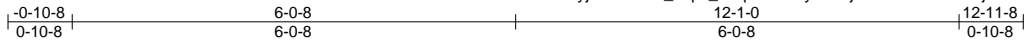
Job 238_2338_A	Truss CE	Truss Type Common Supported Gable	Qty 1	Ply 1	KB Home 238.2338.A	144249971
					Job Reference (optional)	

84 Components (Dunn),

Dunn, NC - 28334,

8.430 s Nov 30 2020 MiTek Industries, Inc. Wed Jan 6 14:06:38 2021 Page 1

ID:byj??x6A9z5_viqm_kAqhrzC2Gy-zTGjZWFPAAdC129PajONwuhylqb3q9SlarY?SJmzy2ql



4x4 =

Scale = 1:31.4

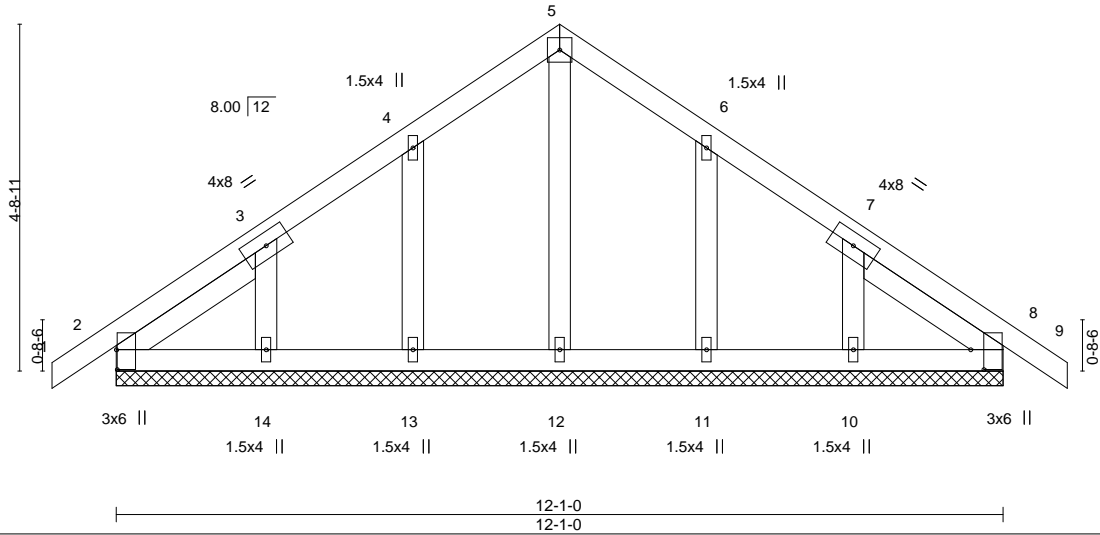


Plate Offsets (X, Y)--	[2:0-3-4,0-0-2], [8:0-3-4,0-2-2]							
LOADING (psf)	SPACING- 2-0-0	CSI.	DEFL.	in (loc)	l/defl	L/d	PLATES	GRIP
TCLL (roof) 20.0	Plate Grip DOL 1.15	TC 0.05	Vert(LL) -0.00	8	n/r	120	MT20	197/144
Snow (Pf/Pg) 11.6/15.0	Lumber DOL 1.15	BC 0.03	Vert(CT) -0.00	8	n/r	120		
TCDL 10.0	Rep Stress Incr YES	WB 0.03	Horz(CT) 0.00	8	n/a	n/a		
BCLL 0.0 *	Code IRC2015/TPI2014	Matrix-S					Weight: 69 lb	FT = 20%
BCDL 10.0								

LUMBER-
TOP CHORD 2x4 SP No.2 or 2x4 SPF No.2
BOT CHORD 2x4 SP No.2 or 2x4 SPF No.2
OTHERS 2x4 SP No.3
SLIDER Left 2x4 SP No.3 -t 2-3-11, Right 2x4 SP No.3 -t 2-3-11

BRACING-
TOP CHORD Structural wood sheathing directly applied or 6-0-0 oc purlins.
BOT CHORD Rigid ceiling directly applied or 10-0-0 oc bracing.

REACTIONS. All bearings 12-1-0.
(lb) - Max Horz 2--97(LC 12)
Max Uplift All uplift 100 lb or less at joint(s) 2, 13, 14, 11, 10
Max Grav All reactions 250 lb or less at joint(s) 2, 8, 12, 13, 14, 11, 10

FORCES. (lb) - Max. Comp./Max. Ten. - All forces 250 (lb) or less except when shown.

NOTES-

- 1) Unbalanced roof live loads have been considered for this design.
- 2) Wind: ASCE 7-10; Vult=120mph Vasd=95mph; TCDL=6.0psf; BCDL=6.0psf; h=30ft; Cat. II; Exp B; Enclosed; MWFRS (envelope) gable end zone and C-C Corner(3) -0-10-8 to 2-0-8, Exterior(2) 2-0-8 to 6-0-8, Corner(3) 6-0-8 to 9-0-8, Exterior(2) 9-0-8 to 12-11-8 zone; cantilever left and right exposed ; end vertical left and right exposed;C-C for members and forces & MWFRS for reactions shown; Lumber DOL=1.60 plate grip DOL=1.60
- 3) Truss designed for wind loads in the plane of the truss only. For studs exposed to wind (normal to the face), see Standard Industry Gable End Details as applicable, or consult qualified building designer as per ANSI/TPI 1.
- 4) TCLL: ASCE 7-10; Pr=20.0 psf (roof live load: Lumber DOL=1.15 Plate DOL=1.15); Pg=15.0 psf (ground snow); Pf=11.6 psf (flat roof snow: Lumber DOL=1.15 Plate DOL=1.15); Category II; Exp B; Partially Exp.; Ct=1.10
- 5) This truss has been designed for greater of min roof live load of 12.0 psf or 1.00 times flat roof load of 11.6 psf on overhangs non-concurrent with other live loads.
- 6) Gable requires continuous bottom chord bearing.
- 7) Gable studs spaced at 2-0-0 oc.
- 8) This truss has been designed for a 10.0 psf bottom chord live load nonconcurrent with any other live loads.
- 9) * This truss has been designed for a live load of 20.0psf on the bottom chord in all areas where a rectangle 3-6-0 tall by 2-0-0 wide will fit between the bottom chord and any other members.
- 10) n/a
- 11) Beveled plate or shim required to provide full bearing surface with truss chord at joint(s) 2.



January 7, 2021

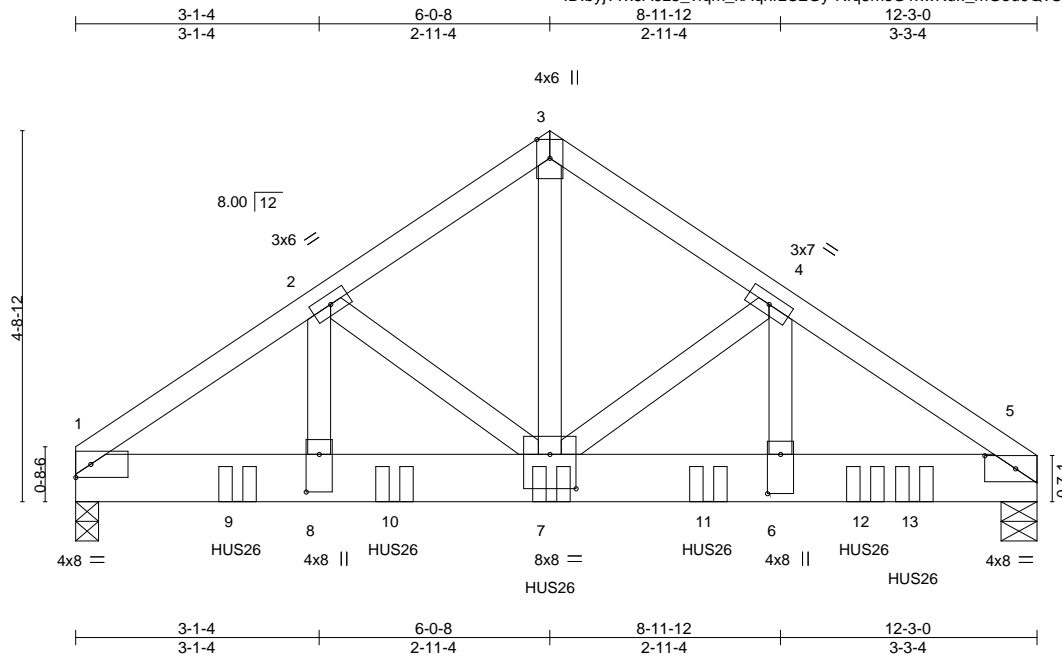
Job 238_2338_A	Truss CG	Truss Type Common Girder	Qty 1	Ply 2	KB Home 238.2338.A Job Reference (optional)	144249972
-------------------	-------------	-----------------------------	----------	----------	--	-----------

84 Components (Dunn),

Dunn, NC - 28334,

8.430 s Nov 30 2020 MiTek Industries, Inc. Wed Jan 6 14:06:39 2021 Page 1

ID:byj??x6A9z5_viqm_kAqhrzC2Gy-Rfq5msG1xwKufI_mG5u9QvUOs?B4uhMk4CI0sDzy2qk



Scale = 1:29.4

Plate Offsets (X,Y)-- [5:0-4-11,0-2-0], [6:0-6-0,0-2-0], [7:0-4-0,0-5-4], [8:0-5-12,0-2-0]

LOADING (psf)	SPACING-	CSI.	DEFL.	in (loc)	l/defl	L/d	PLATES	GRIP
TCLL (roof) 20.0	2-0-0	TC 0.35	Vert(LL) -0.04	7	>999	240	MT20	197/144
Snow (Pf/Pg) 11.6/15.0	Plate Grip DOL 1.15	BC 0.93	Vert(CT) -0.08	6-7	>999	180		
TCDL 10.0	Lumber DOL 1.15	WB 0.94	Horz(CT) 0.02	5	n/a	n/a		
BCLL 0.0 *	Rep Stress Incr NO	Matrix-S						
BCDL 10.0	Code IRC2015/TPI2014						Weight: 162 lb	FT = 20%

LUMBER-
TOP CHORD 2x4 SP No.2 or 2x4 SPF No.2
BOT CHORD 2x8 SP No.2
WEBS 2x4 SP No.3

BRACING-
TOP CHORD Structural wood sheathing directly applied or 4-7-11 oc purlins.
BOT CHORD Rigid ceiling directly applied or 10-0-0 oc bracing.

REACTIONS. (size) 1=0-3-8, 5=0-5-8
Max Horz 1=90(LC 29)
Max Uplift 1=260(LC 10), 5=329(LC 11)
Max Grav 1=4182(LC 2), 5=5249(LC 2)

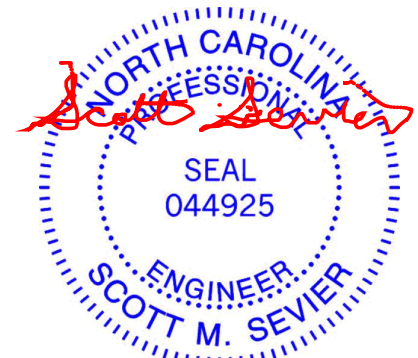
FORCES. (lb) - Max. Comp./Max. Ten. - All forces 250 (lb) or less except when shown.
TOP CHORD 1-2=5836/367, 2-3=4333/313, 3-4=4334/313, 4-5=6498/411
BOT CHORD 1-8=-307/4576, 7-8=-307/4576, 6-7=-294/5159, 5-6=-294/5159
WEBS 3-7=-293/4551, 4-7=-2009/196, 4-6=-134/2573, 2-7=-1272/146, 2-8=-86/1794

NOTES-

- 2-ply truss to be connected together with 10d (0.131"x3") nails as follows:
Top chords connected as follows: 2x4 - 1 row at 0-9-0 oc.
Bottom chords connected as follows: 2x8 - 2 rows staggered at 0-5-0 oc.
Webs connected as follows: 2x4 - 1 row at 0-9-0 oc.
- All loads are considered equally applied to all plies, except if noted as front (F) or back (B) face in the LOAD CASE(S) section. Ply to ply connections have been provided to distribute only loads noted as (F) or (B), unless otherwise indicated.
- Unbalanced roof live loads have been considered for this design.
- Wind: ASCE 7-10; Vult=120mph Vasd=95mph; TCDL=6.0psf; BCDL=6.0psf; h=30ft; Cat. II; Exp B; Enclosed; MWFRS (envelope) gable end zone; cantilever left and right exposed; end vertical left and right exposed; Lumber DOL=1.60 plate grip DOL=1.60
- TCLL: ASCE 7-10; Pr=20.0 psf (roof live load: Lumber DOL=1.15 Plate DOL=1.15); Pg=15.0 psf (ground snow); Pf=11.6 psf (flat roof snow: Lumber DOL=1.15 Plate DOL=1.15); Category II; Exp B; Partially Exp.; Ct=1.10
- This truss has been designed for a 10.0 psf bottom chord live load nonconcurrent with any other live loads.
- * This truss has been designed for a live load of 20.0psf on the bottom chord in all areas where a rectangle 3-6-0 tall by 2-0-0 wide will fit between the bottom chord and any other members.
- One H2.5A Simpson Strong-Tie connectors recommended to connect truss to bearing walls due to UPLIFT at jt(s) 1 and 5. This connection is for uplift only and does not consider lateral forces.
- Use Simpson Strong-Tie HUS26 (14-10d Girder, 4-10d Truss) or equivalent spaced at 2-0-0 oc max. starting at 2-0-12 from the left end to 10-8-4 to connect truss(es) to back face of bottom chord.
- Fill all nail holes where hanger is in contact with lumber.

LOAD CASE(S) Standard

Continued on page 2



January 7, 2021

WARNING - Verify design parameters and READ NOTES ON THIS AND INCLUDED MITEK REFERENCE PAGE MII-7473 rev. 5/19/2020 BEFORE USE.

Design valid for use only with MiTek® connectors. This design is based only upon parameters shown, and is for an individual building component, not a truss system. Before use, the building designer must verify the applicability of design parameters and properly incorporate this design into the overall building design. Bracing indicated is to prevent buckling of individual truss web and/or chord members only. Additional temporary and permanent bracing is always required for stability and to prevent collapse with possible personal injury and property damage. For general guidance regarding the fabrication, storage, delivery, erection and bracing of trusses and truss systems, see ANSITPI1 Quality Criteria, DSB-89 and BCSI Building Component Safety Information available from Truss Plate Institute, 2670 Crain Highway, Suite 203 Waldorf, MD 20601



818 Soundside Road
Edenton, NC 27932

Job 238_2338_A	Truss CG	Truss Type Common Girder	Qty 1	Ply 2	KB Home 238.2338.A Job Reference (optional)	I44249972
-------------------	-------------	-----------------------------	----------	-----------------	--	-----------

84 Components (Dunn), Dunn, NC - 28334,

8.430 s Nov 30 2020 MiTek Industries, Inc. Wed Jan 6 14:06:39 2021 Page 2
ID:byj??x6A9z5_viqm_kAqhrzC2Gy-Rfq5msG1xwKufI_mG5u9QvUOs?B4uhMk4CI0sDzy2qk

LOAD CASE(S) Standard

1) Dead + Snow (balanced): Lumber Increase=1.15, Plate Increase=1.15

Uniform Loads (plf)

Vert: 1-3=-43, 3-5=-43, 1-5=-20

Concentrated Loads (lb)

Vert: 7=-1111(B) 9=-1111(B) 10=-1111(B) 11=-1111(B) 12=-1111(B) 13=-1111(B)

WARNING - Verify design parameters and READ NOTES ON THIS AND INCLUDED MITEK REFERENCE PAGE MII-7473 rev. 5/19/2020 BEFORE USE.

Design valid for use only with MiTek® connectors. This design is based only upon parameters shown, and is for an individual building component, not a truss system. Before use, the building designer must verify the applicability of design parameters and properly incorporate this design into the overall building design. Bracing indicated is to prevent buckling of individual truss web and/or chord members only. Additional temporary and permanent bracing is always required for stability and to prevent collapse with possible personal injury and property damage. For general guidance regarding the fabrication, storage, delivery, erection and bracing of trusses and truss systems, see **ANSI/TPI1 Quality Criteria, DSB-89 and BCSI Building Component Safety Information** available from Truss Plate Institute, 2670 Crain Highway, Suite 203 Waldorf, MD 20601



818 Soundside Road
Edenton, NC 27932

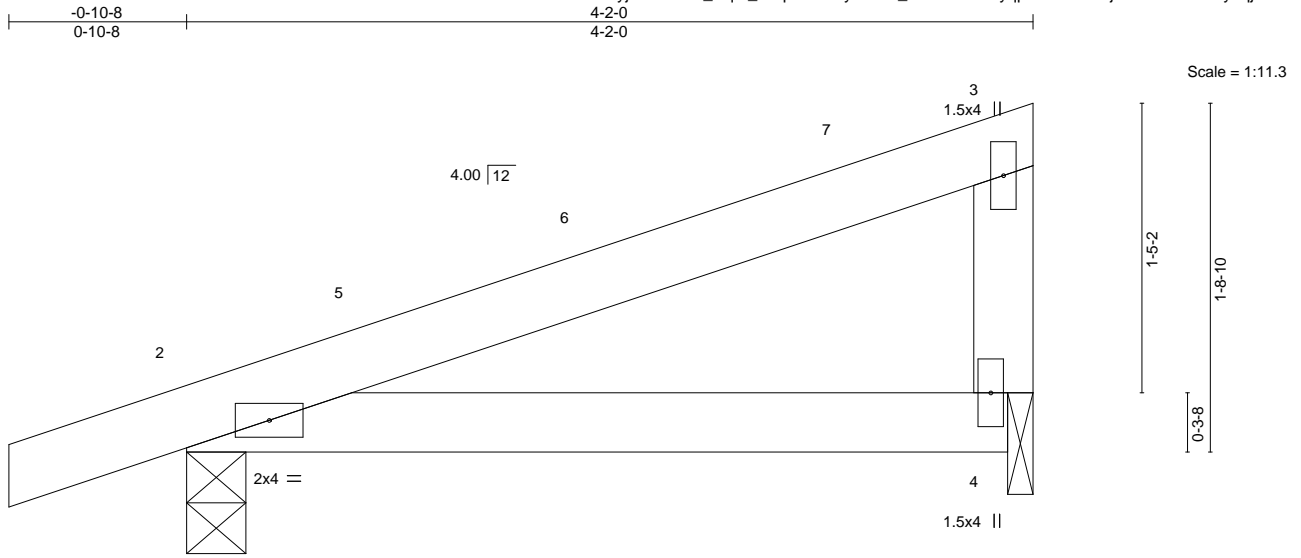
Job 238_2338_A	Truss M1	Truss Type Monopitch	Qty 4	Ply 1	KB Home 238.2338.A	144249973
-------------------	-------------	-------------------------	----------	----------	--------------------	-----------

84 Components (Dunn),

Dunn, NC - 28334,

8.430 s Nov 30 2020 MiTek Industries, Inc. Wed Jan 6 14:06:40 2021 Page 1

ID:byj??x6A9z5_viqm_kAqhrzC2Gy-vsOT_CHfiESIHSZyqpPOz61bHPj?dMKItSuzOfzy2j
4-2-0
4-2-0



LOADING (psf)	SPACING-	CSI.	DEFL.	PLATES	GRIP
TCLL (roof) 20.0	2-0-0	TC 0.24	in (loc) l/defl L/d	MT20	197/144
Snow (Pf/Pg) 11.6/15.0	Plate Grip DOL 1.15	BC 0.18	Vert(LL) -0.01 2-4 >999 240		
TCDL 10.0	Lumber DOL 1.15	WB 0.00	Vert(CT) -0.03 2-4 >999 180		
BCLL 0.0 *	Rep Stress Incr YES	Matrix-P	Horz(CT) 0.00 n/a n/a		
BCDL 10.0	Code IRC2015/TPI2014			Weight: 16 lb	FT = 20%

LUMBER-
 TOP CHORD 2x4 SP No.2 or 2x4 SPF No.2
 BOT CHORD 2x4 SP No.2 or 2x4 SPF No.2
 WEBS 2x4 SP No.3

BRACING-
 TOP CHORD Structural wood sheathing directly applied or 4-2-0 oc purlins, except end verticals.
 BOT CHORD Rigid ceiling directly applied or 10-0-0 oc bracing.

REACTIONS. (size) 2=0-3-8, 4=0-1-8
 Max Horz 2=57(LC 12)
 Max Uplift 2=-47(LC 12), 4=-23(LC 16)
 Max Grav 2=224(LC 2), 4=147(LC 2)

FORCES. (lb) - Max. Comp./Max. Ten. - All forces 250 (lb) or less except when shown.

- NOTES-**
- 1) Wind: ASCE 7-10; Vult=120mph Vasd=95mph; TCDL=6.0psf; BCDL=6.0psf; h=30ft; Cat. II; Exp B; Enclosed; MWFRS (envelope) gable end zone and C-C Exterior(2) -0-10-8 to 2-1-8, Interior(1) 2-1-8 to 4-0-4 zone; cantilever left exposed; end vertical left exposed; C-C for members and forces & MWFRS for reactions shown; Lumber DOL=1.60 plate grip DOL=1.60
 - 2) TCLL: ASCE 7-10; Pr=20.0 psf (roof live load; Lumber DOL=1.15 Plate DOL=1.15); Pg=15.0 psf (ground snow); Pf=11.6 psf (flat roof snow; Lumber DOL=1.15 Plate DOL=1.15); Category II; Exp B; Partially Exp.; Ct=1.10
 - 3) Unbalanced snow loads have been considered for this design.
 - 4) This truss has been designed for greater of min roof live load of 12.0 psf or 1.00 times flat roof load of 11.6 psf on overhangs non-concurrent with other live loads.
 - 5) This truss has been designed for a 10.0 psf bottom chord live load nonconcurrent with any other live loads.
 - 6) * This truss has been designed for a live load of 20.0psf on the bottom chord in all areas where a rectangle 3-6-0 tall by 2-0-0 wide will fit between the bottom chord and any other members.
 - 7) Bearing at joint(s) 4 considers parallel to grain value using ANSI/TPI 1 angle to grain formula. Building designer should verify capacity of bearing surface.
 - 8) Provide mechanical connection (by others) of truss to bearing plate at joint(s) 4.
 - 9) One H2.5A Simpson Strong-Tie connectors recommended to connect truss to bearing walls due to UPLIFT at jt(s) 2 and 4. This connection is for uplift only and does not consider lateral forces.



January 7, 2021

WARNING - Verify design parameters and READ NOTES ON THIS AND INCLUDED MITEK REFERENCE PAGE MII-7473 rev. 5/19/2020 BEFORE USE.
 Design valid for use only with MiTek® connectors. This design is based only upon parameters shown, and is for an individual building component, not a truss system. Before use, the building designer must verify the applicability of design parameters and properly incorporate this design into the overall building design. Bracing indicated is to prevent buckling of individual truss web and/or chord members only. Additional temporary and permanent bracing is always required for stability and to prevent collapse with possible personal injury and property damage. For general guidance regarding the fabrication, storage, delivery, erection and bracing of trusses and truss systems, see **ANSI/TPI1 Quality Criteria, DSB-89 and BCSI Building Component Safety Information** available from Truss Plate Institute, 2670 Crain Highway, Suite 203 Waldorf, MD 20601



818 Soundside Road
 Edenton, NC 27932

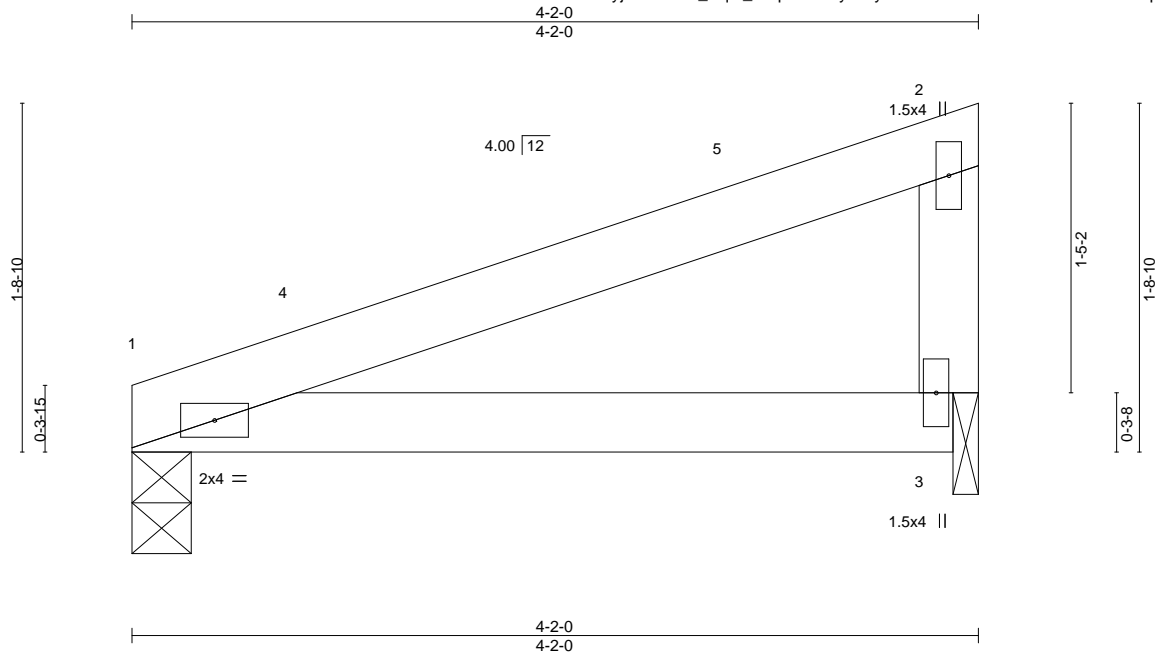
Job 238_2338_A	Truss M2	Truss Type Monopitch	Qty 1	Ply 1	KB Home 238.2338.A	144249974
-------------------	-------------	-------------------------	----------	----------	--------------------	-----------

84 Components (Dunn),

Dunn, NC - 28334,

8.430 s Nov 30 2020 MiTek Industries, Inc. Wed Jan 6 14:06:41 2021 Page 1

ID:byj??x6A9z5_viqm_kAqhrzC2Gy-N2yrBYIHSYacvc88OWwdWKZIRo2EMpZ0XWE7w5zy2qi



Scale = 1:11.3

LOADING (psf)	SPACING-	CSI.	DEFL.	PLATES	GRIP
TCLL (roof) 20.0	2-0-0	TC 0.28	in (loc) l/defl L/d	MT20	197/144
Snow (Pf/Pg) 11.6/15.0	Plate Grip DOL 1.15	BC 0.18	Vert(LL) -0.01 1-3 >999 240		
TCDL 10.0	Lumber DOL 1.15	WB 0.00	Vert(CT) -0.03 1-3 >999 180		
BCLL 0.0 *	Rep Stress Incr YES	Matrix-P	Horz(CT) 0.00 n/a n/a		
BCDL 10.0	Code IRC2015/TPI2014			Weight: 14 lb	FT = 20%

LUMBER-

TOP CHORD 2x4 SP No.2 or 2x4 SPF No.2
 BOT CHORD 2x4 SP No.2 or 2x4 SPF No.2
 WEBS 2x4 SP No.3

BRACING-

TOP CHORD Structural wood sheathing directly applied or 4-2-0 oc purlins, except end verticals.
 BOT CHORD Rigid ceiling directly applied or 10-0-0 oc bracing.

REACTIONS.

(size) 1=0-3-8, 3=0-1-8
 Max Horz 1=45(LC 12)
 Max Uplift 1=9(LC 12), 3=25(LC 12)
 Max Grav 1=155(LC 2), 3=155(LC 2)

FORCES. (lb) - Max. Comp./Max. Ten. - All forces 250 (lb) or less except when shown.

NOTES-

- 1) Wind: ASCE 7-10; Vult=120mph Vasd=95mph; TCDL=6.0psf; BCDL=6.0psf; h=30ft; Cat. II; Exp B; Enclosed; MWFRS (envelope) gable end zone and C-C Exterior(2) 0-1-12 to 3-1-12, Interior(1) 3-1-12 to 4-0-4 zone; cantilever left exposed; end vertical left exposed; C-C for members and forces & MWFRS for reactions shown; Lumber DOL=1.60 plate grip DOL=1.60
- 2) TCLL: ASCE 7-10; Pr=20.0 psf (roof live load; Lumber DOL=1.15 Plate DOL=1.15); Pg=15.0 psf (ground snow); Pf=11.6 psf (flat roof snow; Lumber DOL=1.15 Plate DOL=1.15); Category II; Exp B; Partially Exp.; Ct=1.10
- 3) Unbalanced snow loads have been considered for this design.
- 4) This truss has been designed for a 10.0 psf bottom chord live load nonconcurrent with any other live loads.
- 5) * This truss has been designed for a live load of 20.0psf on the bottom chord in all areas where a rectangle 3-6-0 tall by 2-0-0 wide will fit between the bottom chord and any other members.
- 6) Bearing at joint(s) 3 considers parallel to grain value using ANSI/TPI 1 angle to grain formula. Building designer should verify capacity of bearing surface.
- 7) Provide mechanical connection (by others) of truss to bearing plate at joint(s) 3.
- 8) One H2.5A Simpson Strong-Tie connectors recommended to connect truss to bearing walls due to UPLIFT at jt(s) 1 and 3. This connection is for uplift only and does not consider lateral forces.



January 7, 2021

WARNING - Verify design parameters and READ NOTES ON THIS AND INCLUDED MITEK REFERENCE PAGE MII-7473 rev. 5/19/2020 BEFORE USE.

Design valid for use only with MiTek® connectors. This design is based only upon parameters shown, and is for an individual building component, not a truss system. Before use, the building designer must verify the applicability of design parameters and properly incorporate this design into the overall building design. Bracing indicated is to prevent buckling of individual truss web and/or chord members only. Additional temporary and permanent bracing is always required for stability and to prevent collapse with possible personal injury and property damage. For general guidance regarding the fabrication, storage, delivery, erection and bracing of trusses and truss systems, see

ANSI/TPI1 Quality Criteria, DSB-89 and BCSI Building Component

Safety Information available from Truss Plate Institute, 2670 Crain Highway, Suite 203 Waldorf, MD 20601



818 Soundside Road
 Edenton, NC 27932

Job 238_2338_A	Truss ME	Truss Type Monopitch Supported Gable	Qty 1	Ply 1	KB Home 238.2338.A Job Reference (optional)	144249975
-------------------	-------------	---	----------	----------	--	-----------

84 Components (Dunn),

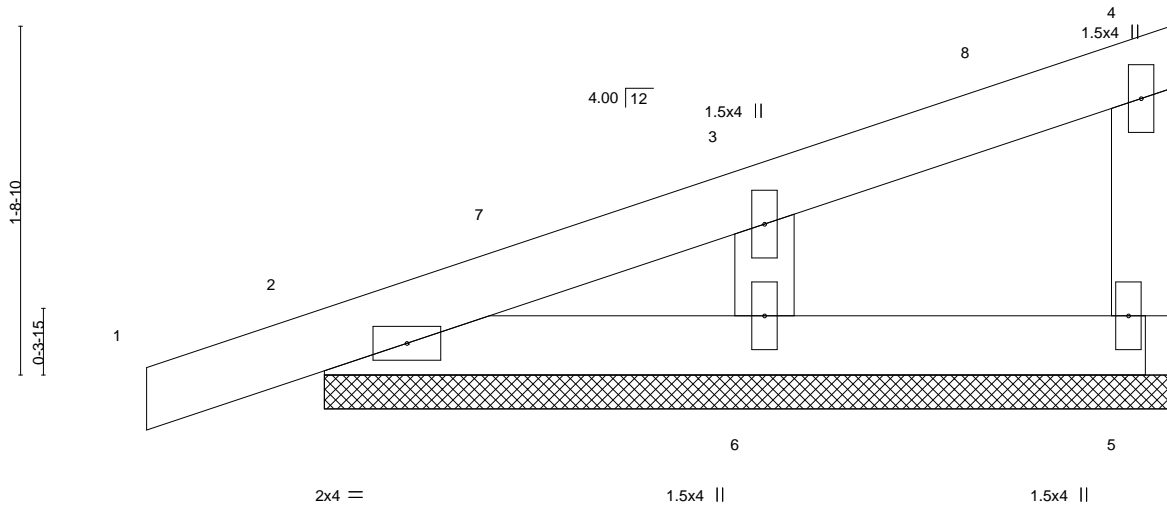
Dunn, NC - 28334,

8.430 s Nov 30 2020 MiTek Industries, Inc. Wed Jan 6 14:06:41 2021 Page 1

ID:byj??x6A9z5_viqm_kAqhrzC2Gy-N2yrBYIHSYacvc88OWwdWKZp_o4OMpr0XWE7w5zy2qi



Scale = 1:11.3



LOADING (psf)	SPACING-	CSI.	DEFL.	PLATES	GRIP
TCLL (roof) 20.0	2-0-0	TC 0.06	in (loc) l/defl L/d	MT20	197/144
Snow (Pf/Pg) 11.6/15.0	Plate Grip DOL 1.15	BC 0.04	Vert(LL) 0.00 1 n/r 120		
TCDL 10.0	Lumber DOL 1.15	WB 0.05	Vert(CT) 0.00 1 n/r 120		
BCDL 0.0 *	Rep Stress Incr YES	Matrix-P	Horz(CT) 0.00 n/a n/a		
BCDL 10.0	Code IRC2015/TPI2014			Weight: 16 lb	FT = 20%

LUMBER-

TOP CHORD 2x4 SP No.2 or 2x4 SPF No.2
 BOT CHORD 2x4 SP No.2 or 2x4 SPF No.2
 WEBS 2x4 SP No.3

BRACING-

TOP CHORD Structural wood sheathing directly applied or 4-2-0 oc purlins, except end verticals.
 BOT CHORD Rigid ceiling directly applied or 10-0-0 oc bracing.

REACTIONS.

(size) 5=4-2-0, 2=4-2-0, 6=4-2-0
 Max Horz 2=57(LC 12)
 Max Uplift 5=-10(LC 12), 2=-31(LC 12), 6=-27(LC 16)
 Max Grav 5=56(LC 2), 2=134(LC 2), 6=185(LC 2)

FORCES. (lb) - Max. Comp./Max. Ten. - All forces 250 (lb) or less except when shown.

NOTES-

- 1) Wind: ASCE 7-10; Vult=120mph Vasd=95mph; TCDL=6.0psf; BCDL=6.0psf; h=30ft; Cat. II; Exp B; Enclosed; MWFRS (envelope) gable end zone and C-C Corner(3) -0-10-8 to 2-2-0, Exterior(2) 2-2-0 to 4-0-4 zone; cantilever left exposed ; end vertical left exposed;C-C for members and forces & MWFRS for reactions shown; Lumber DOL=1.60 plate grip DOL=1.60
- 2) Truss designed for wind loads in the plane of the truss only. For studs exposed to wind (normal to the face), see Standard Industry Gable End Details as applicable, or consult qualified building designer as per ANSI/TPI 1.
- 3) TCLL: ASCE 7-10; Pr=20.0 psf (roof live load: Lumber DOL=1.15 Plate DOL=1.15); Pg=15.0 psf (ground snow); Pf=11.6 psf (flat roof snow: Lumber DOL=1.15 Plate DOL=1.15); Category II; Exp B; Partially Exp.; Ct=1.10
- 4) Unbalanced snow loads have been considered for this design.
- 5) This truss has been designed for greater of min roof live load of 12.0 psf or 1.00 times flat roof load of 11.6 psf on overhangs non-concurrent with other live loads.
- 6) Gable requires continuous bottom chord bearing.
- 7) Gable studs spaced at 2-0-0 oc.
- 8) This truss has been designed for a 10.0 psf bottom chord live load nonconcurrent with any other live loads.
- 9) * This truss has been designed for a live load of 20.0psf on the bottom chord in all areas where a rectangle 3-6-0 tall by 2-0-0 wide will fit between the bottom chord and any other members.



January 7, 2021

WARNING - Verify design parameters and READ NOTES ON THIS AND INCLUDED MITEK REFERENCE PAGE MII-7473 rev. 5/19/2020 BEFORE USE.

Design valid for use only with MiTek® connectors. This design is based only upon parameters shown, and is for an individual building component, not a truss system. Before use, the building designer must verify the applicability of design parameters and properly incorporate this design into the overall building design. Bracing indicated is to prevent buckling of individual truss web and/or chord members only. Additional temporary and permanent bracing is always required for stability and to prevent collapse with possible personal injury and property damage. For general guidance regarding the fabrication, storage, delivery, erection and bracing of trusses and truss systems, see

ANSI/TPI1 Quality Criteria, DSB-89 and BCSI Building Component

Safety Information available from Truss Plate Institute, 2670 Crain Highway, Suite 203 Waldorf, MD 20601



818 Soundside Road
 Edenton, NC 27932

Job 238_2338_A	Truss PF1	Truss Type Common	Qty 2	Ply 1	KB Home 238.2338.A	144249976
-------------------	--------------	----------------------	----------	----------	--------------------	-----------

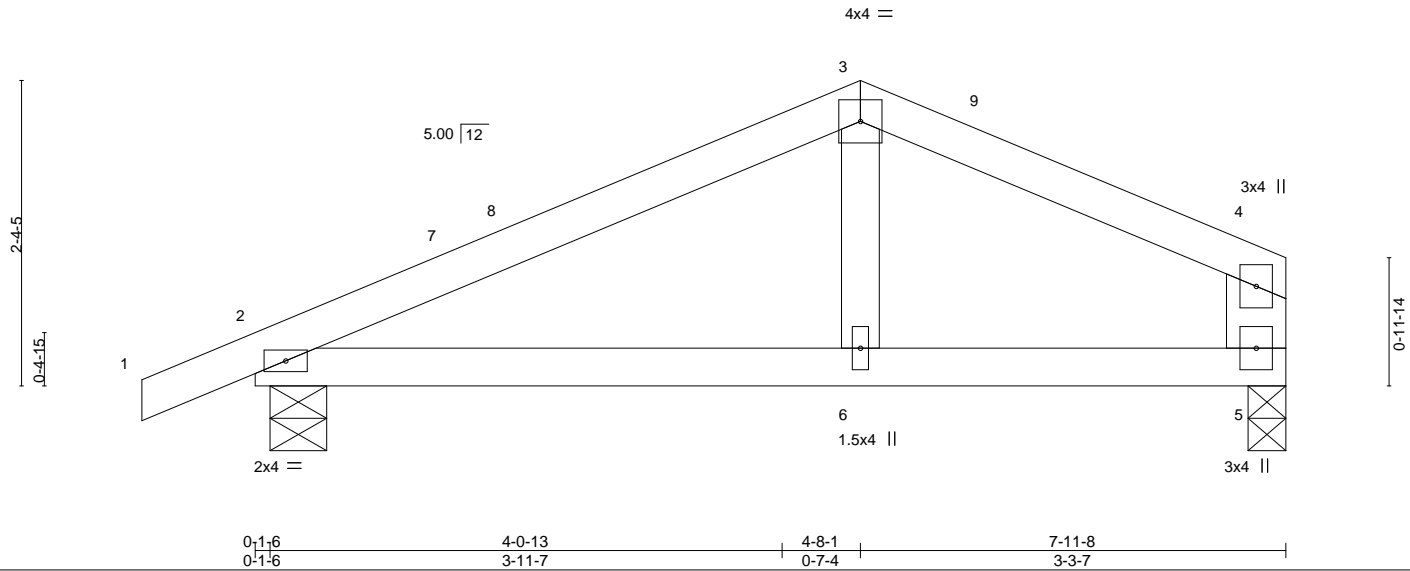
84 Components (Dunn), Dunn, NC - 28334,

8.430 s Nov 30 2020 MiTek Industries, Inc. Wed Jan 6 14:06:42 2021 Page 1

ID:bjj?x6A9z5_viqm_kAqhrzC2Gy-rEWDpUlvDriTWmjLyERs2X6w2CKc5G0AmAzgSXzy2qh



Scale = 1:17.8



LOADING (psf)	SPACING-	CSI.	DEFL.	PLATES	GRIP
TCLL (roof) 20.0	2-0-0	TC 0.29	in (loc) l/defl L/d	MT20	197/144
Snow (Pf/Pg) 11.6/15.0	Plate Grip DOL 1.15	BC 0.43	Vert(LL) 0.04 2-6 >999 240		
TCDL 10.0	Lumber DOL 1.15	WB 0.05	Vert(CT) -0.05 2-6 >999 180		
BCLL 0.0 *	Rep Stress Incr YES	Matrix-S	Horz(CT) 0.00 5 n/a n/a		
BCDL 10.0	Code IRC2015/TPI2014			Weight: 30 lb	FT = 20%

LUMBER-	BRACING-
TOP CHORD 2x4 SP No.2 or 2x4 SPF No.2	TOP CHORD Structural wood sheathing directly applied or 6-0-0 oc purlins, except end verticals.
BOT CHORD 2x4 SP No.2 or 2x4 SPF No.2	BOT CHORD Rigid ceiling directly applied or 10-0-0 oc bracing.
WEBS 2x4 SP No.3 *Except* 4-5: 2x6 SP No.2	

REACTIONS. (size) 2=0-5-4, 5=0-3-8
 Max Horz 2=51(LC 16)
 Max Uplift 2=-82(LC 12), 5=-53(LC 12)
 Max Grav 2=371(LC 2), 5=296(LC 2)

FORCES. (lb) - Max. Comp./Max. Ten. - All forces 250 (lb) or less except when shown.
 TOP CHORD 2-3=-354/261, 3-4=-336/279
 BOT CHORD 2-6=-215/269, 5-6=-215/269

- NOTES-**
- 1) Unbalanced roof live loads have been considered for this design.
 - 2) Wind: ASCE 7-10; Vult=120mph Vasd=95mph; TCDL=6.0psf; BCDL=6.0psf; h=30ft; Cat. II; Exp B; Enclosed; MWFRS (envelope) gable end zone and C-C Exterior(2) -0-10-8 to 2-1-8, Interior(1) 2-1-8 to 4-8-1, Exterior(2) 4-8-1 to 7-8-12 zone; porch left exposed; C-C for members and forces & MWFRS for reactions shown; Lumber DOL=1.60 plate grip DOL=1.60
 - 3) TCLL: ASCE 7-10; Pr=20.0 psf (roof live load: Lumber DOL=1.15 Plate DOL=1.15); Pg=15.0 psf (ground snow); Pf=11.6 psf (flat roof snow: Lumber DOL=1.15 Plate DOL=1.15); Category II; Exp B; Partially Exp.; Ct=1.10
 - 4) Unbalanced snow loads have been considered for this design.
 - 5) This truss has been designed for greater of min roof live load of 12.0 psf or 1.00 times flat roof load of 11.6 psf on overhangs non-concurrent with other live loads.
 - 6) This truss has been designed for a 10.0 psf bottom chord live load nonconcurrent with any other live loads.
 - 7) * This truss has been designed for a live load of 20.0psf on the bottom chord in all areas where a rectangle 3-6-0 tall by 2-0-0 wide will fit between the bottom chord and any other members.
 - 8) One H2.5A Simpson Strong-Tie connectors recommended to connect truss to bearing walls due to UPLIFT at jt(s) 2 and 5. This connection is for uplift only and does not consider lateral forces.



January 7, 2021

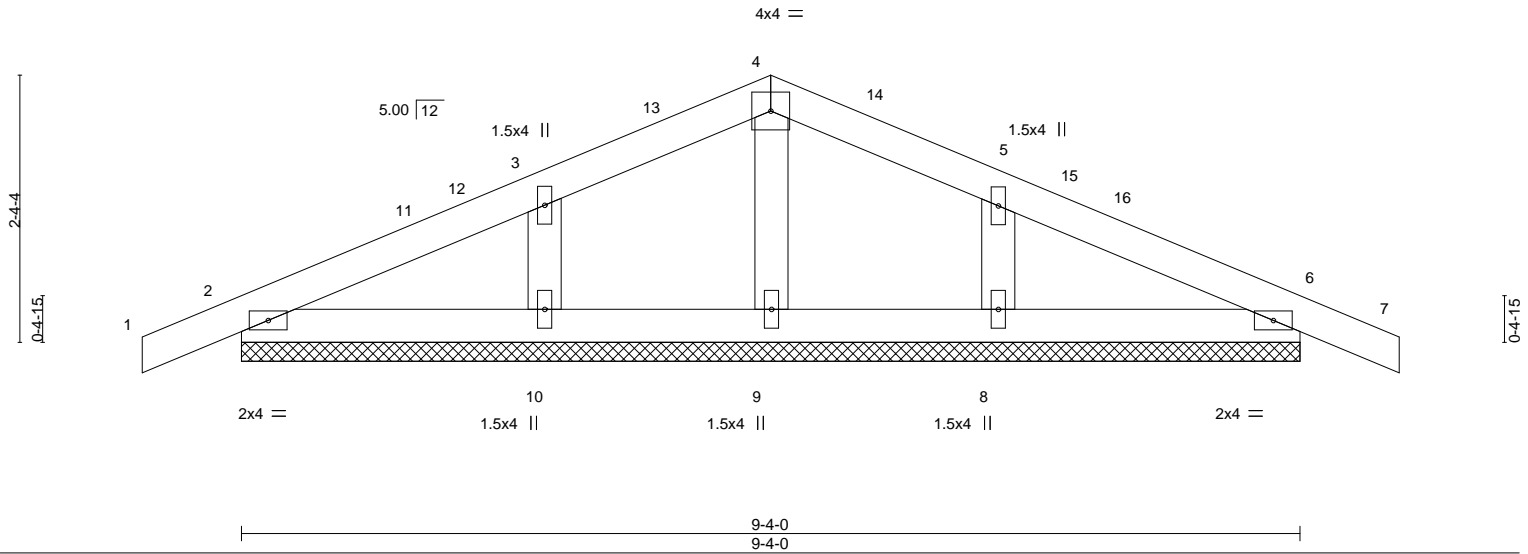
Job 238_2338_A	Truss PFE	Truss Type Common Supported Gable	Qty 1	Ply 1	KB Home 238.2338.A Job Reference (optional)	144249977
-------------------	--------------	--------------------------------------	----------	----------	--	-----------

84 Components (Dunn), Dunn, NC - 28334,

8.430 s Nov 30 2020 MiTek Industries, Inc. Wed Jan 6 14:06:43 2021 Page 1
ID:byj??x6A9z5_viqm_kAqhrzC2Gy-JQ3ccEJX_9qK8wIXVxy5blf77cmiqiLJ?qjD?_zy2qg



Scale = 1:20.3



LOADING (psf)	SPACING-	CSI.	DEFL.	PLATES	GRIP
TCLL (roof) 20.0	2-0-0	TC 0.08	in (loc) l/defl L/d	MT20	197/144
Snow (Pf/Pg) 11.6/15.0	Plate Grip DOL 1.15	BC 0.05	Vert(LL) 0.00 6 n/r 120		
TCDL 10.0	Lumber DOL 1.15	WB 0.05	Vert(CT) 0.00 7 n/r 120		
BCLL 0.0 *	Rep Stress Incr YES	Matrix-S	Horz(CT) 0.00 6 n/a n/a		
BCDL 10.0	Code IRC2015/TPI2014			Weight: 38 lb	FT = 20%

LUMBER-	BRACING-
TOP CHORD 2x4 SP No.2 or 2x4 SPF No.2	TOP CHORD Structural wood sheathing directly applied or 6-0-0 oc purlins.
BOT CHORD 2x4 SP No.2 or 2x4 SPF No.2	BOT CHORD Rigid ceiling directly applied or 10-0-0 oc bracing.
OTHERS 2x4 SP No.3	

REACTIONS. All bearings 9-4-0.
 (lb) - Max Horz 2=33(LC 17)
 Max Uplift All uplift 100 lb or less at joint(s) 2, 6, 10, 8
 Max Grav All reactions 250 lb or less at joint(s) 2, 6, 9, 10, 8

FORCES. (lb) - Max. Comp./Max. Ten. - All forces 250 (lb) or less except when shown.

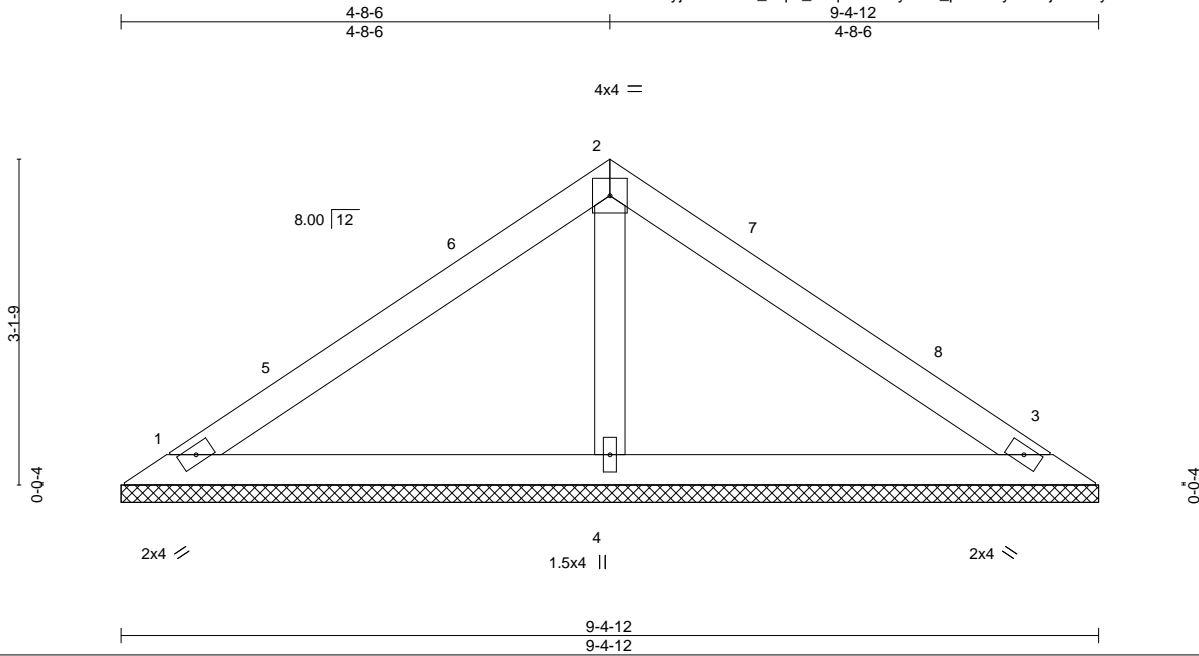
- NOTES-**
- Unbalanced roof live loads have been considered for this design.
 - Wind: ASCE 7-10; Vult=120mph Vasd=95mph; TCDL=6.0psf; BCDL=6.0psf; h=30ft; Cat. II; Exp B; Enclosed; MWFRS (envelope) gable end zone and C-C Corner(3) -0-10-8 to 2-1-8, Exterior(2) 2-1-8 to 4-8-0, Corner(3) 4-8-0 to 7-8-0, Exterior(2) 7-8-0 to 10-2-8 zone; porch left and right exposed; C-C for members and forces & MWFRS for reactions shown; Lumber DOL=1.60 plate grip DOL=1.60
 - Truss designed for wind loads in the plane of the truss only. For studs exposed to wind (normal to the face), see Standard Industry Gable End Details as applicable, or consult qualified building designer as per ANSI/TPI 1.
 - TCLL: ASCE 7-10; Pr=20.0 psf (roof live load: Lumber DOL=1.15 Plate DOL=1.15); Pg=15.0 psf (ground snow); Pf=11.6 psf (flat roof snow: Lumber DOL=1.15 Plate DOL=1.15); Category II; Exp B; Partially Exp.; Ct=1.10
 - Unbalanced snow loads have been considered for this design.
 - This truss has been designed for greater of min roof live load of 12.0 psf or 1.00 times flat roof load of 11.6 psf on overhangs non-concurrent with other live loads.
 - Gable requires continuous bottom chord bearing.
 - Gable studs spaced at 2-0-0 oc.
 - This truss has been designed for a 10.0 psf bottom chord live load nonconcurrent with any other live loads.
 - * This truss has been designed for a live load of 20.0psf on the bottom chord in all areas where a rectangle 3-6-0 tall by 2-0-0 wide will fit between the bottom chord and any other members.



Job 238_2338_A	Truss V1	Truss Type Valley	Qty 1	Ply 1	KB Home 238.2338.A Job Reference (optional)	144249978
-------------------	-------------	----------------------	----------	----------	--	-----------

84 Components (Dunn), Dunn, NC - 28334,

8.430 s Nov 30 2020 MiTek Industries, Inc. Wed Jan 6 14:06:44 2021 Page 1
ID:byj??x6A9z5_viqm_kAqhrzC2Gy-ndd_paK9ITyBm4tj3UK7yBDX021Z9VTDUSnXQzy2qf



LOADING (psf)	SPACING-	CSI.	DEFL.	PLATES	GRIP
TCLL (roof) 20.0	2-0-0	TC 0.42	in (loc) l/defl L/d	MT20	244/190
Snow (Pf/Pg) 11.6/15.0	Plate Grip DOL 1.15	BC 0.30	Vert(LL) n/a - n/a 999		
TCDL 10.0	Lumber DOL 1.15	WB 0.05	Vert(CT) n/a - n/a 999		
BCLL 0.0 *	Rep Stress Incr YES	Matrix-S	Horz(CT) 0.00 3 n/a n/a		
BCDL 10.0	Code IRC2015/TPI2014			Weight: 33 lb	FT = 20%

LUMBER-	BRACING-
TOP CHORD 2x4 SP No.3	TOP CHORD Structural wood sheathing directly applied or 6-0-0 oc purlins.
BOT CHORD 2x4 SP No.3	BOT CHORD Rigid ceiling directly applied or 10-0-0 oc bracing.
OTHERS 2x4 SP No.3	

REACTIONS. (size) 1=9-4-12, 3=9-4-12, 4=9-4-12
 Max Horz 1=-59(LC 10)
 Max Uplift 1=-19(LC 14), 3=-27(LC 15)
 Max Grav 1=165(LC 2), 3=165(LC 2), 4=346(LC 2)

FORCES. (lb) - Max. Comp./Max. Ten. - All forces 250 (lb) or less except when shown.

NOTES-

- 1) Unbalanced roof live loads have been considered for this design.
- 2) Wind: ASCE 7-10; Vult=120mph Vasd=95mph; TC DL=6.0psf; BCDL=6.0psf; h=30ft; Cat. II; Exp B; Enclosed; MWFRS (envelope) gable end zone and C-C Exterior(2) 0-5-12 to 3-5-12, Interior(1) 3-5-12 to 4-8-6, Exterior(2) 4-8-6 to 7-8-6, Interior(1) 7-8-6 to 8-11-0 zone; C-C for members and forces & MWFRS for reactions shown; Lumber DOL=1.60 plate grip DOL=1.60
- 3) TCLL: ASCE 7-10; Pr=20.0 psf (roof live load; Lumber DOL=1.15 Plate DOL=1.15); Pg=15.0 psf (ground snow); Pf=11.6 psf (flat roof snow; Lumber DOL=1.15 Plate DOL=1.15); Category II; Exp B; Partially Exp.; Ct=1.10
- 4) Gable requires continuous bottom chord bearing.
- 5) This truss has been designed for a 10.0 psf bottom chord live load nonconcurrent with any other live loads.
- 6) * This truss has been designed for a live load of 20.0psf on the bottom chord in all areas where a rectangle 3-6-0 tall by 2-0-0 wide will fit between the bottom chord and any other members.

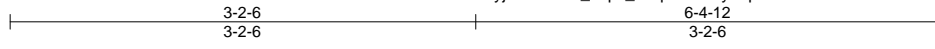


Job 238_2338_A	Truss V2	Truss Type Valley	Qty 1	Ply 1	KB Home 238.2338.A Job Reference (optional)	144249979
-------------------	-------------	----------------------	----------	----------	--	-----------

84 Components (Dunn), Dunn, NC - 28334,

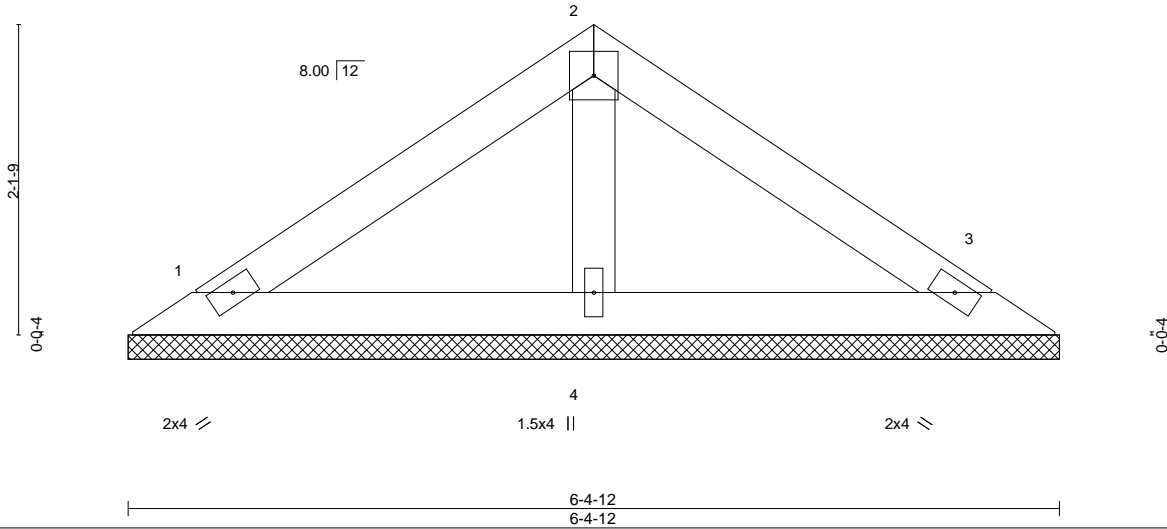
8.430 s Nov 30 2020 MiTek Industries, Inc. Wed Jan 6 14:06:45 2021 Page 1

ID:byj??x6A9z5_viqm_kAqhrzC2Gy-GpBM1wLoWm42NDSwdM?ZgAKRJR?Ic8cS8CK3szy2qe



4x4 =

Scale = 1:15.8



LOADING (psf)	SPACING-	CSI.	DEFL.	PLATES	GRIP
TCLL (roof) 20.0	2-0-0	TC 0.23	in (loc) l/defl L/d	MT20	244/190
Snow (Pf/Pg) 11.6/15.0	Plate Grip DOL 1.15	BC 0.13	Vert(LL) n/a - n/a 999		
TCDL 10.0	Lumber DOL 1.15	WB 0.03	Vert(CT) n/a - n/a 999		
BCLL 0.0 *	Rep Stress Incr YES	Matrix-P	Horz(CT) 0.00 3 n/a n/a		
BCDL 10.0	Code IRC2015/TPI2014			Weight: 21 lb	FT = 20%

LUMBER-
 TOP CHORD 2x4 SP No.3
 BOT CHORD 2x4 SP No.3
 OTHERS 2x4 SP No.3

BRACING-
 TOP CHORD Structural wood sheathing directly applied or 6-0-0 oc purlins.
 BOT CHORD Rigid ceiling directly applied or 10-0-0 oc bracing.

REACTIONS. (size) 1=6-4-12, 3=6-4-12, 4=6-4-12
 Max Horz 1=-38(LC 10)
 Max Uplift 1=-17(LC 14), 3=-23(LC 15)
 Max Grav 1=116(LC 2), 3=116(LC 2), 4=202(LC 2)

FORCES. (lb) - Max. Comp./Max. Ten. - All forces 250 (lb) or less except when shown.

NOTES-

- Unbalanced roof live loads have been considered for this design.
- Wind: ASCE 7-10; Vult=120mph Vasd=95mph; TCDL=6.0psf; BCDL=6.0psf; h=30ft; Cat. II; Exp B; Enclosed; MWFRS (envelope) gable end zone and C-C Exterior(2) zone; C-C for members and forces & MWFRS for reactions shown; Lumber DOL=1.60 plate grip DOL=1.60
- TCLL: ASCE 7-10; Pr=20.0 psf (roof live load: Lumber DOL=1.15 Plate DOL=1.15); Pg=15.0 psf (ground snow); Pf=11.6 psf (flat roof snow: Lumber DOL=1.15 Plate DOL=1.15); Category II; Exp B; Partially Exp.; Ct=1.10
- Gable requires continuous bottom chord bearing.
- This truss has been designed for a 10.0 psf bottom chord live load nonconcurrent with any other live loads.
- * This truss has been designed for a live load of 20.0psf on the bottom chord in all areas where a rectangle 3-6-0 tall by 2-0-0 wide will fit between the bottom chord and any other members.



January 7, 2021

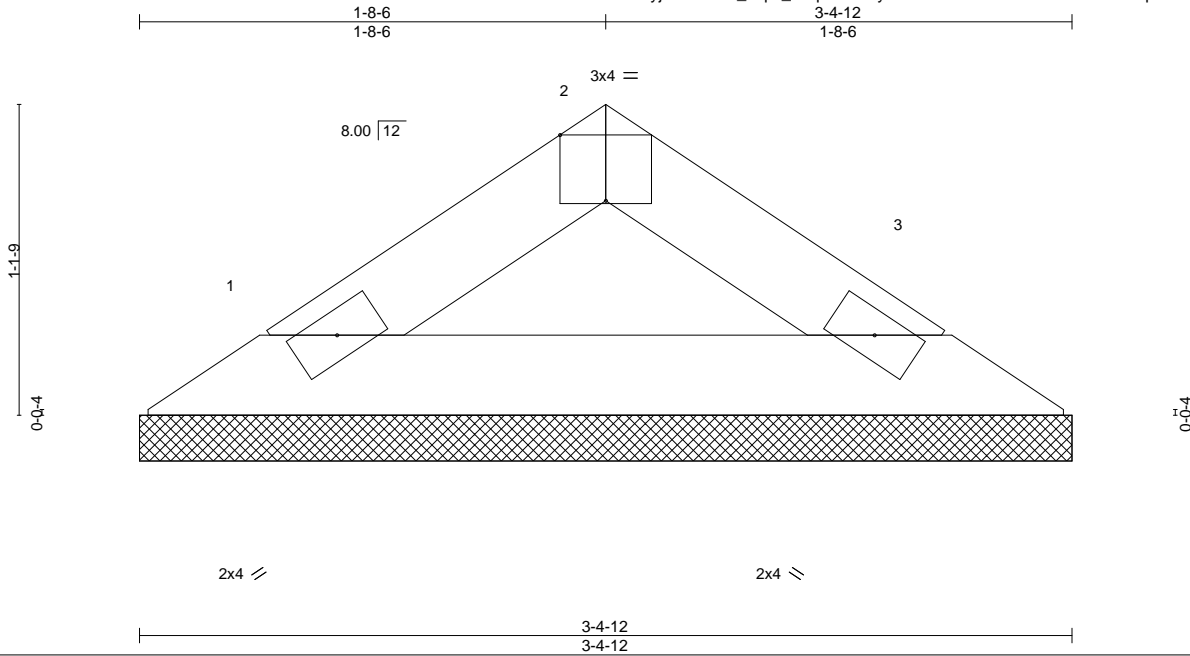
Job 238_2338_A	Truss V3	Truss Type Valley	Qty 1	Ply 1	KB Home 238.2338.A Job Reference (optional)	144249980
-------------------	-------------	----------------------	----------	----------	--	-----------

84 Components (Dunn),

Dunn, NC - 28334,

8.430 s Nov 30 2020 MiTek Industries, Inc. Wed Jan 6 14:06:46 2021 Page 1

ID:byj??x6A9z5_viqm_kAqhrzC2Gy-k?IkEGLQH4Cu?N06B3WoDNHfzpnO13pmhoxtbJzy2qd



Scale = 1:8.4

LOADING (psf)		SPACING-		CSI.		DEFL.				PLATES		GRIP	
TCLL (roof)	20.0	Plate Grip DOL	2-0-0	TC	0.04	Vert(LL)	n/a	-	n/a	999	MT20	244/190	
Snow (Pf/Pg)	11.6/15.0	Lumber DOL	1.15	BC	0.12	Vert(CT)	n/a	-	n/a	999	Weight: 9 lb FT = 20%		
TCDL	10.0	Rep Stress Incr	YES	WB	0.00	Horz(CT)	0.00	3	n/a	n/a			
BCLL	0.0 *	Code	IRC2015/TPI2014	Matrix-P									
BCDL	10.0												

LUMBER-		BRACING-	
TOP CHORD	2x4 SP No.3	TOP CHORD	Structural wood sheathing directly applied or 3-4-12 oc purlins.
BOT CHORD	2x4 SP No.3	BOT CHORD	Rigid ceiling directly applied or 10-0-0 oc bracing.

REACTIONS. (size) 1=3-4-12, 3=3-4-12
 Max Horz 1=-17(LC 10)
 Max Uplift 1=-5(LC 14), 3=-5(LC 15)
 Max Grav 1=97(LC 2), 3=97(LC 2)

FORCES. (lb) - Max. Comp./Max. Ten. - All forces 250 (lb) or less except when shown.

- NOTES-**
- Unbalanced roof live loads have been considered for this design.
 - Wind: ASCE 7-10; Vult=120mph Vasd=95mph; TCDL=6.0psf; BCDL=6.0psf; h=30ft; Cat. II; Exp B; Enclosed; MWFRS (envelope) gable end zone and C-C Exterior(2) zone; C-C for members and forces & MWFRS for reactions shown; Lumber DOL=1.60 plate grip DOL=1.60
 - TCLL: ASCE 7-10; Pr=20.0 psf (roof live load: Lumber DOL=1.15 Plate DOL=1.15); Pg=15.0 psf (ground snow); Pf=11.6 psf (flat roof snow: Lumber DOL=1.15 Plate DOL=1.15); Category II; Exp B; Partially Exp.; Ct=1.10
 - Gable requires continuous bottom chord bearing.
 - This truss has been designed for a 10.0 psf bottom chord live load nonconcurrent with any other live loads.
 - * This truss has been designed for a live load of 20.0psf on the bottom chord in all areas where a rectangle 3-6-0 tall by 2-0-0 wide will fit between the bottom chord and any other members.



January 7, 2021

Job 238_2338_A	Truss V4	Truss Type Valley	Qty 1	Ply 1	KB Home 238.2338.A	144249981
-------------------	-------------	----------------------	----------	----------	--------------------	-----------

84 Components (Dunn),

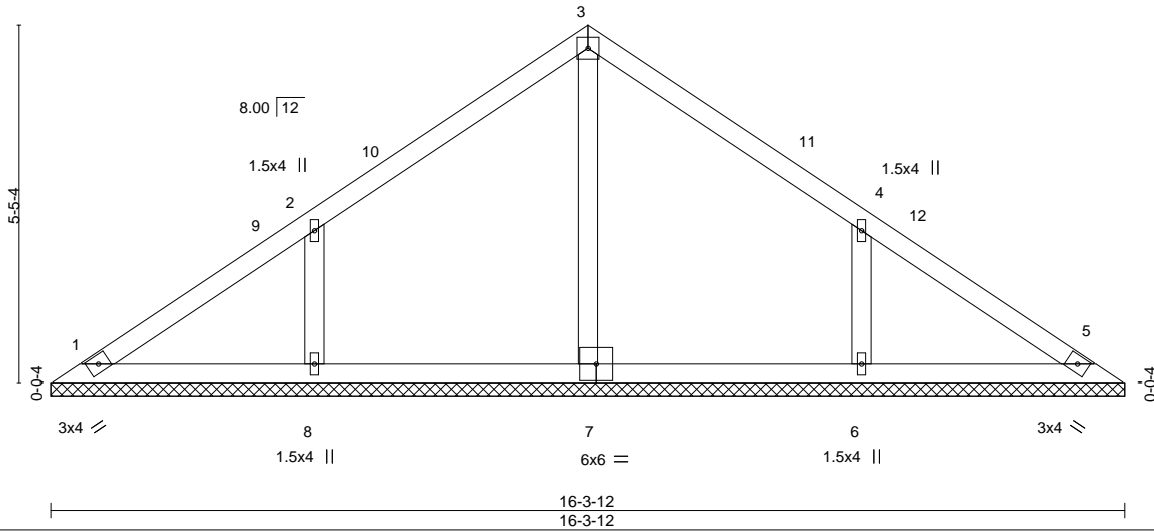
Dunn, NC - 28334,

8.430 s Nov 30 2020 MiTek Industries, Inc. Wed Jan 6 14:06:47 2021 Page 1
ID:byj??x6A9z5_viqm_kAqhrzC2Gy-CCJ6SbM22OKldXbkn11lbpntD7UmVbvVShR8lzy2qc



4x4 =

Scale = 1:35.0



LOADING (psf)	SPACING-	CSI.	DEFL.	PLATES	GRIP
TCLL (roof) 20.0	2-0-0	TC 0.22	in (loc) l/defl L/d	MT20	197/144
Snow (Pf/Pg) 11.6/15.0	Plate Grip DOL 1.15	BC 0.13	Vert(LL) n/a - n/a 999		
TCDL 10.0	Lumber DOL 1.15	WB 0.09	Vert(CT) n/a - n/a 999		
BCLL 0.0 *	Rep Stress Incr YES	Matrix-S	Horz(CT) 0.00 5 n/a n/a		
BCDL 10.0	Code IRC2015/TPI2014			Weight: 65 lb	FT = 20%

LUMBER-	BRACING-
TOP CHORD 2x4 SP No.2 or 2x4 SPF No.2	TOP CHORD Structural wood sheathing directly applied or 6-0-0 oc purlins.
BOT CHORD 2x4 SP No.2 or 2x4 SPF No.2	BOT CHORD Rigid ceiling directly applied or 10-0-0 oc bracing.
OTHERS 2x4 SP No.3	

REACTIONS. All bearings 16-3-12.
 (lb) - Max Horz 1=-108(LC 10)
 Max Uplift All uplift 100 lb or less at joint(s) 1 except 6=-114(LC 15), 8=-111(LC 14)
 Max Grav All reactions 250 lb or less at joint(s) 1, 5 except 7=261(LC 2), 6=372(LC 26), 8=376(LC 25)

FORCES. (lb) - Max. Comp./Max. Ten. - All forces 250 (lb) or less except when shown.
WEBS 4-6=-284/159, 2-8=-283/159

- NOTES-**
- Unbalanced roof live loads have been considered for this design.
 - Wind: ASCE 7-10; Vult=120mph Vasd=95mph; TCDL=6.0psf; BCDL=6.0psf; h=30ft; Cat. II; Exp B; Enclosed; MWFRS (envelope) gable end zone and C-C Exterior(2) 0-5-12 to 3-5-12, Interior(1) 3-5-12 to 8-1-14, Exterior(2) 8-1-14 to 11-1-14, Interior(1) 11-1-14 to 15-10-0 zone; C-C for members and forces & MWFRS for reactions shown; Lumber DOL=1.60 plate grip DOL=1.60
 - TCLL: ASCE 7-10; Pr=20.0 psf (roof live load: Lumber DOL=1.15 Plate DOL=1.15); Pg=15.0 psf (ground snow); Pf=11.6 psf (flat roof snow: Lumber DOL=1.15 Plate DOL=1.15); Category II; Exp B; Partially Exp.; Ct=1.10
 - Gable requires continuous bottom chord bearing.
 - This truss has been designed for a 10.0 psf bottom chord live load nonconcurrent with any other live loads.
 - * This truss has been designed for a live load of 20.0psf on the bottom chord in all areas where a rectangle 3-6-0 tall by 2-0-0 wide will fit between the bottom chord and any other members.



January 7, 2021

Job 238_2338_A	Truss V5	Truss Type Valley	Qty 1	Ply 1	KB Home 238.2338.A Job Reference (optional)	144249982
-------------------	-------------	----------------------	----------	----------	--	-----------

84 Components (Dunn),

Dunn, NC - 28334,

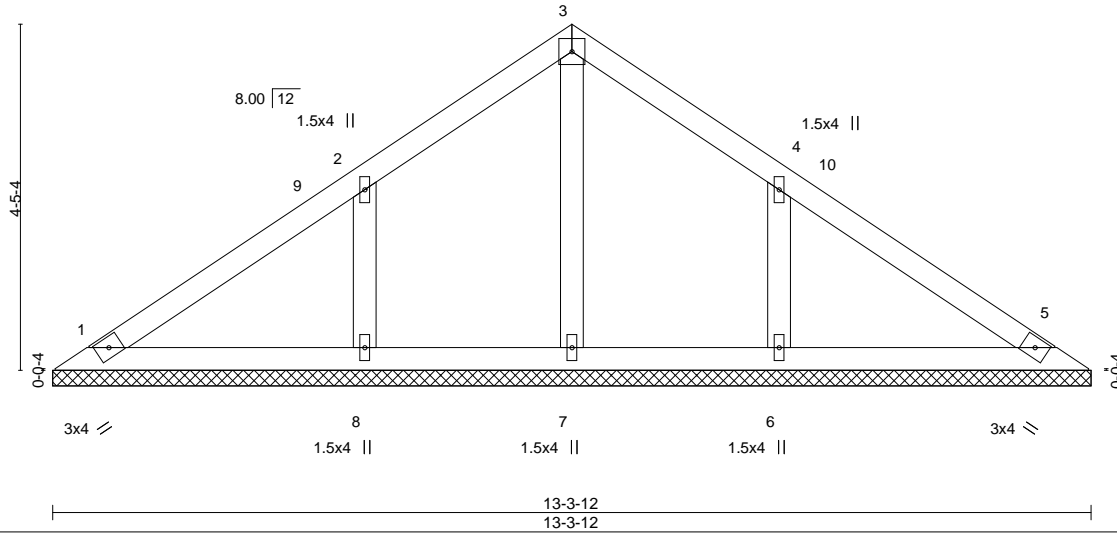
8.430 s Nov 30 2020 MiTek Industries, Inc. Wed Jan 6 14:06:48 2021 Page 1

ID:byj??x6A9z5_viqm_kAqhrzC2Gy-g0TvfXNgphScEhAVIUyGloMzfdSCVzX286Q_gBzy2qb



4x4 =

Scale = 1:29.5



LOADING (psf)	SPACING-	CSI.	DEFL.	PLATES	GRIP
TCLL (roof) 20.0	2-0-0	TC 0.16	in (loc) l/defl L/d	MT20	197/144
Snow (Pf/Pg) 11.6/15.0	Plate Grip DOL 1.15	BC 0.09	Vert(LL) n/a - n/a 999		
TCDL 10.0	Lumber DOL 1.15	WB 0.05	Vert(CT) n/a - n/a 999		
BCLL 0.0 *	Rep Stress Incr YES	Matrix-S	Horz(CT) 0.00 5 n/a n/a		
BCDL 10.0	Code IRC2015/TPI2014			Weight: 54 lb	FT = 20%

LUMBER-
 TOP CHORD 2x4 SP No.2 or 2x4 SPF No.2
 BOT CHORD 2x4 SP No.2 or 2x4 SPF No.2
 OTHERS 2x4 SP No.3

BRACING-
 TOP CHORD Structural wood sheathing directly applied or 6-0-0 oc purlins.
 BOT CHORD Rigid ceiling directly applied or 10-0-0 oc bracing.

REACTIONS. All bearings 13-3-12.
 (lb) - Max Horz 1=87(LC 10)
 Max Uplift All uplift 100 lb or less at joint(s) 1, 6, 8
 Max Grav All reactions 250 lb or less at joint(s) 1, 5, 7 except 6=317(LC 26), 8=318(LC 25)

FORCES. (lb) - Max. Comp./Max. Ten. - All forces 250 (lb) or less except when shown.

- NOTES-**
- 1) Unbalanced roof live loads have been considered for this design.
 - 2) Wind: ASCE 7-10; Vult=120mph Vasd=95mph; TCDL=6.0psf; BCDL=6.0psf; h=30ft; Cat. II; Exp B; Enclosed; MWFRS (envelope) gable end zone and C-C Exterior(2) 0-5-12 to 3-5-12, Interior(1) 3-5-12 to 6-7-14, Exterior(2) 6-7-14 to 9-7-14, Interior(1) 9-7-14 to 12-10-0 zone; C-C for members and forces & MWFRS for reactions shown; Lumber DOL=1.60 plate grip DOL=1.60
 - 3) TCLL: ASCE 7-10; Pr=20.0 psf (roof live load: Lumber DOL=1.15 Plate DOL=1.15); Pg=15.0 psf (ground snow); Pf=11.6 psf (flat roof snow: Lumber DOL=1.15 Plate DOL=1.15); Category II; Exp B; Partially Exp.; Ct=1.10
 - 4) Gable requires continuous bottom chord bearing.
 - 5) This truss has been designed for a 10.0 psf bottom chord live load nonconcurrent with any other live loads.
 - 6) * This truss has been designed for a live load of 20.0psf on the bottom chord in all areas where a rectangle 3-6-0 tall by 2-0-0 wide will fit between the bottom chord and any other members.



January 7, 2021

WARNING - Verify design parameters and READ NOTES ON THIS AND INCLUDED MITEK REFERENCE PAGE MII-7473 rev. 5/19/2020 BEFORE USE.
 Design valid for use only with MiTek® connectors. This design is based only upon parameters shown, and is for an individual building component, not a truss system. Before use, the building designer must verify the applicability of design parameters and properly incorporate this design into the overall building design. Bracing indicated is to prevent buckling of individual truss web and/or chord members only. Additional temporary and permanent bracing is always required for stability and to prevent collapse with possible personal injury and property damage. For general guidance regarding the fabrication, storage, delivery, erection and bracing of trusses and truss systems, see **ANSI/TPI1 Quality Criteria, DSB-89 and BCSI Building Component Safety Information** available from Truss Plate Institute, 2670 Crain Highway, Suite 203 Waldorf, MD 20601



818 Soundside Road
 Edenton, NC 27932

Job 238_2338_A	Truss V6	Truss Type Valley	Qty 1	Ply 1	KB Home 238.2338.A Job Reference (optional)	144249983
-------------------	-------------	----------------------	----------	----------	--	-----------

84 Components (Dunn), Dunn, NC - 28334,

8.430 s Nov 30 2020 MiTek Industries, Inc. Wed Jan 6 14:06:49 2021 Page 1
ID:byj??x6A9z5_viqm_kAqhrzC2Gy-8aRttHOla?aTsrIhsC3Vq0v8Z1nHEQ?CNmAYCezy2qa



3x4 =

Scale = 1:23.3

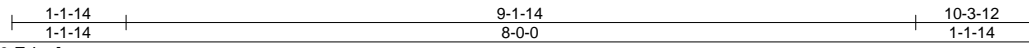
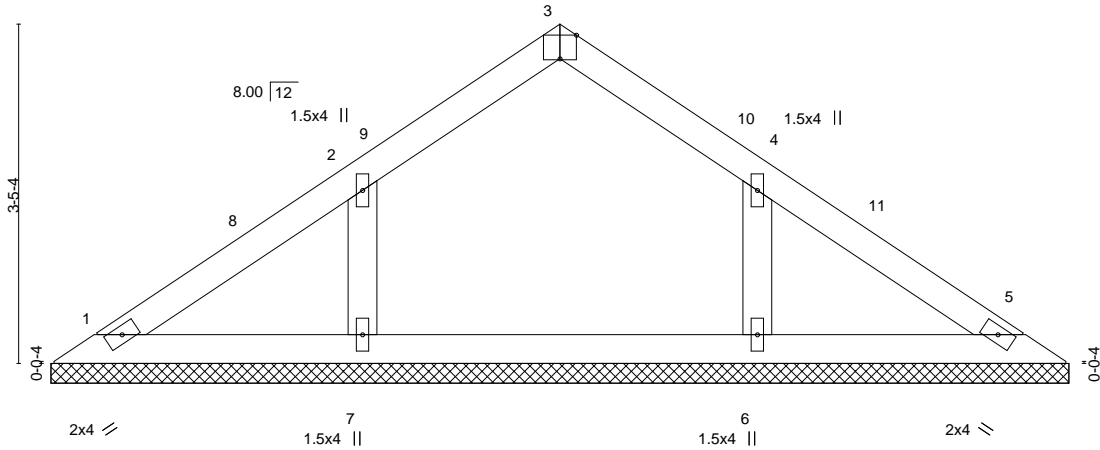


Plate Offsets (X,Y)-- [3:0-2-0,Edge]

LOADING (psf)		SPACING-	2-0-0	CSI.		DEFL.	in (loc)	l/defl	L/d	PLATES	GRIP
TCLL (roof)	20.0	Plate Grip DOL	1.15	TC	0.15	Vert(LL)	n/a	-	n/a	MT20	244/190
Snow (Pf/Pg)	11.6/15.0	Lumber DOL	1.15	BC	0.17	Vert(CT)	n/a	-	n/a		
TCDL	10.0	Rep Stress Incr	YES	WB	0.04	Horz(CT)	0.00	5	n/a		
BCLL	0.0 *	Code	IRC2015/TPI2014	Matrix-S							
BCDL	10.0									Weight: 37 lb	FT = 20%

LUMBER-
TOP CHORD 2x4 SP No.3
BOT CHORD 2x4 SP No.3
OTHERS 2x4 SP No.3

BRACING-
TOP CHORD Structural wood sheathing directly applied or 6-0-0 oc purlins.
BOT CHORD Rigid ceiling directly applied or 10-0-0 oc bracing.

REACTIONS. All bearings 10-3-12.
(lb) - Max Horz 1=66(LC 10)
Max Uplift All uplift 100 lb or less at joint(s) 7, 6
Max Grav All reactions 250 lb or less at joint(s) 1, 5 except 7=260(LC 25), 6=259(LC 26)

FORCES. (lb) - Max. Comp./Max. Ten. - All forces 250 (lb) or less except when shown.

- NOTES-**
- 1) Unbalanced roof live loads have been considered for this design.
 - 2) Wind: ASCE 7-10; Vult=120mph Vasd=95mph; TCDL=6.0psf; BCDL=6.0psf; h=30ft; Cat. II; Exp B; Enclosed; MWFRS (envelope) gable end zone and C-C Exterior(2) 0-5-12 to 3-5-12, Interior(1) 3-5-12 to 5-1-14, Exterior(2) 5-1-14 to 8-1-14, Interior(1) 8-1-14 to 9-10-0 zone; C-C for members and forces & MWFRS for reactions shown; Lumber DOL=1.60 plate grip DOL=1.60
 - 3) TCLL: ASCE 7-10; Pr=20.0 psf (roof live load: Lumber DOL=1.15 Plate DOL=1.15); Pg=15.0 psf (ground snow); Pf=11.6 psf (flat roof snow: Lumber DOL=1.15 Plate DOL=1.15); Category II; Exp B; Partially Exp.; Ct=1.10
 - 4) Gable requires continuous bottom chord bearing.
 - 5) This truss has been designed for a 10.0 psf bottom chord live load nonconcurrent with any other live loads.
 - 6) * This truss has been designed for a live load of 20.0psf on the bottom chord in all areas where a rectangle 3-6-0 tall by 2-0-0 wide will fit between the bottom chord and any other members.



January 7, 2021

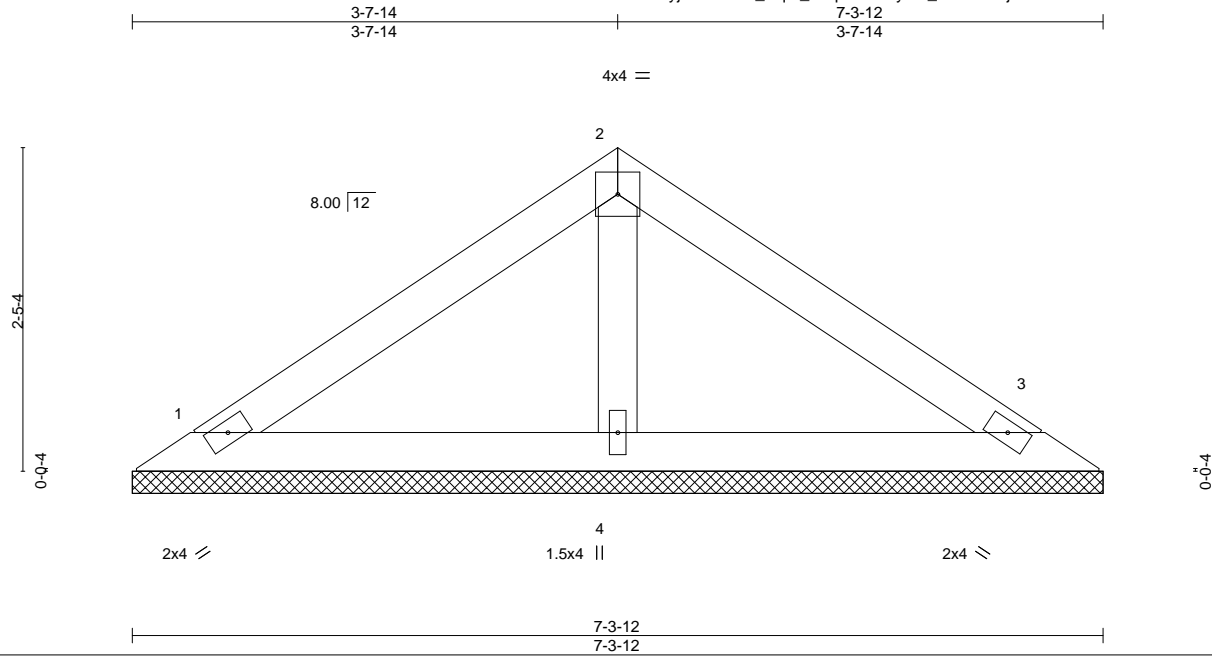
WARNING - Verify design parameters and READ NOTES ON THIS AND INCLUDED MITEK REFERENCE PAGE MII-7473 rev. 5/19/2020 BEFORE USE.
Design valid for use only with MiTek® connectors. This design is based only upon parameters shown, and is for an individual building component, not a truss system. Before use, the building designer must verify the applicability of design parameters and properly incorporate this design into the overall building design. Bracing indicated is to prevent buckling of individual truss web and/or chord members only. Additional temporary and permanent bracing is always required for stability and to prevent collapse with possible personal injury and property damage. For general guidance regarding the fabrication, storage, delivery, erection and bracing of trusses and truss systems, see **ANSI/TPI1 Quality Criteria, DSB-89 and BCSI Building Component Safety Information** available from Truss Plate Institute, 2670 Crain Highway, Suite 203 Waldorf, MD 20601



Job 238_2338_A	Truss V7	Truss Type Valley	Qty 1	Ply 1	KB Home 238.2338.A Job Reference (optional)	144249984
-------------------	-------------	----------------------	----------	----------	--	-----------

84 Components (Dunn), Dunn, NC - 28334,

8.430 s Nov 30 2020 MiTek Industries, Inc. Wed Jan 6 14:06:50 2021 Page 1
ID:bjj??x6A9z5_viqm_kAqhrzC2Gy-cn_F4dPwLJjKU?KtQvakNDRHeR7SztHLcQv5k4zy2qZ



LOADING (psf)	SPACING-	CSI.	DEFL.	PLATES	GRIP
TCLL (roof) 20.0	2-0-0	TC 0.32	in (loc) l/defl L/d	MT20	244/190
Snow (Pf/Pg) 11.6/15.0	Plate Grip DOL 1.15	BC 0.17	Vert(LL) n/a - n/a 999		
TCDL 10.0	Lumber DOL 1.15	WB 0.03	Vert(CT) n/a - n/a 999		
BCLL 0.0 *	Rep Stress Incr YES	Matrix-P	Horz(CT) 0.00 3 n/a n/a		
BCDL 10.0	Code IRC2015/TPI2014			Weight: 25 lb	FT = 20%

LUMBER-
TOP CHORD 2x4 SP No.3
BOT CHORD 2x4 SP No.3
OTHERS 2x4 SP No.3

BRACING-
TOP CHORD Structural wood sheathing directly applied or 6-0-0 oc purlins.
BOT CHORD Rigid ceiling directly applied or 10-0-0 oc bracing.

REACTIONS. (size) 1=7-3-12, 3=7-3-12, 4=7-3-12
Max Horz 1=-45(LC 10)
Max Uplift 1=-20(LC 14), 3=-26(LC 15)
Max Grav 1=136(LC 2), 3=136(LC 2), 4=236(LC 2)

FORCES. (lb) - Max. Comp./Max. Ten. - All forces 250 (lb) or less except when shown.

NOTES-

- 1) Unbalanced roof live loads have been considered for this design.
- 2) Wind: ASCE 7-10; Vult=120mph Vasd=95mph; TCDL=6.0psf; BCDL=6.0psf; h=30ft; Cat. II; Exp B; Enclosed; MWFRS (envelope) gable end zone and C-C Exterior(2) zone; C-C for members and forces & MWFRS for reactions shown; Lumber DOL=1.60 plate grip DOL=1.60
- 3) TCLL: ASCE 7-10; Pr=20.0 psf (roof live load: Lumber DOL=1.15 Plate DOL=1.15); Pg=15.0 psf (ground snow); Pf=11.6 psf (flat roof snow: Lumber DOL=1.15 Plate DOL=1.15); Category II; Exp B; Partially Exp.; Ct=1.10
- 4) Gable requires continuous bottom chord bearing.
- 5) This truss has been designed for a 10.0 psf bottom chord live load nonconcurrent with any other live loads.
- 6) * This truss has been designed for a live load of 20.0psf on the bottom chord in all areas where a rectangle 3-6-0 tall by 2-0-0 wide will fit between the bottom chord and any other members.



January 7, 2021

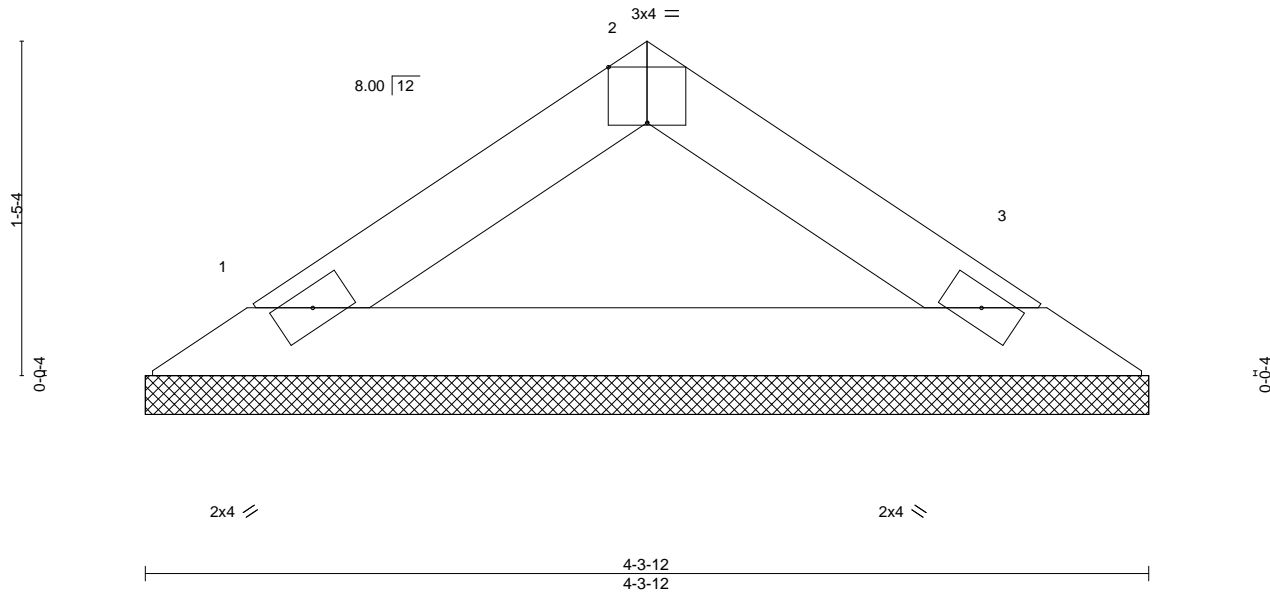
Job 238_2338_A	Truss V8	Truss Type Valley	Qty 1	Ply 1	KB Home 238.2338.A	144249985
-------------------	-------------	----------------------	----------	----------	--------------------	-----------

84 Components (Dunn),

Dunn, NC - 28334,

8.430 s Nov 30 2020 MiTek Industries, Inc. Wed Jan 6 14:06:51 2021 Page 1
ID:byj??x6A9z5_viqm_kAqhrzC2Gy-4zYdHzPY6crB68v4zd6zwR_V5qSoiK2Vq4feHWzy2qY

4-3-12
2-1-14



Scale = 1:9.9

LOADING (psf)		SPACING-		CSI.		DEFL.				PLATES	GRIP	
TCLL (roof)	20.0	Plate Grip DOL	2-0-0	TC	0.08	Vert(LL)	n/a	-	n/a	999	MT20	244/190
Snow (Pf/Pg)	11.6/15.0	Lumber DOL	1.15	BC	0.23	Vert(CT)	n/a	-	n/a	999		
TCDL	10.0	Rep Stress Incr	YES	WB	0.00	Horz(CT)	0.00	3	n/a	n/a		
BCLL	0.0 *	Code	IRC2015/TPI2014	Matrix-P							Weight: 12 lb	FT = 20%
BCDL	10.0											

LUMBER-
TOP CHORD 2x4 SP No.3
BOT CHORD 2x4 SP No.3

BRACING-
TOP CHORD Structural wood sheathing directly applied or 4-3-12 oc purlins.
BOT CHORD Rigid ceiling directly applied or 10-0-0 oc bracing.

REACTIONS. (size) 1=4-3-12, 3=4-3-12
Max Horz 1=24(LC 10)
Max Uplift 1=6(LC 14), 3=6(LC 15)
Max Grav 1=134(LC 2), 3=134(LC 2)

FORCES. (lb) - Max. Comp./Max. Ten. - All forces 250 (lb) or less except when shown.

NOTES-

- 1) Unbalanced roof live loads have been considered for this design.
- 2) Wind: ASCE 7-10; Vult=120mph Vasd=95mph; TCDL=6.0psf; BCDL=6.0psf; h=30ft; Cat. II; Exp B; Enclosed; MWFRS (envelope) gable end zone and C-C Exterior(2) zone; C-C for members and forces & MWFRS for reactions shown; Lumber DOL=1.60 plate grip DOL=1.60
- 3) TCLL: ASCE 7-10; Pr=20.0 psf (roof live load: Lumber DOL=1.15 Plate DOL=1.15); Pg=15.0 psf (ground snow); Pf=11.6 psf (flat roof snow: Lumber DOL=1.15 Plate DOL=1.15); Category II; Exp B; Partially Exp.; Ct=1.10
- 4) Gable requires continuous bottom chord bearing.
- 5) This truss has been designed for a 10.0 psf bottom chord live load nonconcurrent with any other live loads.
- 6) * This truss has been designed for a live load of 20.0psf on the bottom chord in all areas where a rectangle 3-6-0 tall by 2-0-0 wide will fit between the bottom chord and any other members.



January 7, 2021

WARNING - Verify design parameters and READ NOTES ON THIS AND INCLUDED MITEK REFERENCE PAGE MII-7473 rev. 5/19/2020 BEFORE USE.

Design valid for use only with MiTek® connectors. This design is based only upon parameters shown, and is for an individual building component, not a truss system. Before use, the building designer must verify the applicability of design parameters and properly incorporate this design into the overall building design. Bracing indicated is to prevent buckling of individual truss web and/or chord members only. Additional temporary and permanent bracing is always required for stability and to prevent collapse with possible personal injury and property damage. For general guidance regarding the fabrication, storage, delivery, erection and bracing of trusses and truss systems, see

Safety Information available from Truss Plate Institute, 2670 Crain Highway, Suite 203 Waldorf, MD 20601
ANSI/TPI1 Quality Criteria, DSB-89 and BCSI Building Component



818 Soundside Road
Edenton, NC 27932

Symbols

PLATE LOCATION AND ORIENTATION



Center plate on joint unless x, y offsets are indicated. Dimensions are in ft-in-sixteenths. Apply plates to both sides of truss and fully embed teeth.



For 4 x 2 orientation, locate plates 0- 1/16" from outside edge of truss.



This symbol indicates the required direction of slots in connector plates.

* Plate location details available in **MITek 20/20 software** or upon request.

PLATE SIZE

4 X 4

The first dimension is the plate width measured perpendicular to slots. Second dimension is the length parallel to slots.

LATERAL BRACING LOCATION



Indicated by symbol shown and/or by text in the bracing section of the output. Use T or I bracing if indicated.

BEARING



Indicates location where bearings (supports) occur. Icons vary but reaction section indicates joint number where bearings occur. Min size shown is for crushing only.

Industry Standards:

ANSI/TPI 1: National Design Specification for Metal Plate Connected Wood Truss Construction.
DSB-89: Design Standard for Bracing, Building Component Safety Information, Guide to Good Practice for Handling, Installing & Bracing of Metal Plate Connected Wood Trusses.

Numbering System

6-4-8
dimensions shown in ft-in-sixteenths
(Drawings not to scale)



JOINTS ARE GENERALLY NUMBERED/LETTERED CLOCKWISE AROUND THE TRUSS STARTING AT THE JOINT FARTHEST TO THE LEFT.

CHORDS AND WEBS ARE IDENTIFIED BY END JOINT NUMBERS/LETTERS.

PRODUCT CODE APPROVALS

ICC-ES Reports:

ESR-1311, ESR-1352, ESR1988
ER-3907, ESR-2362, ESR-1397, ESR-3282

Trusses are designed for wind loads in the plane of the truss unless otherwise shown.

Lumber design values are in accordance with ANSI/TPI 1 section 6.3 These truss designs rely on lumber values established by others.

© 2012 MITteK® All Rights Reserved



MITek Engineering Reference Sheet: Mill-7473 rev. 5/19/2020



General Safety Notes

Failure to Follow Could Cause Property Damage or Personal Injury

1. Additional stability bracing for truss system, e.g. diagonal or X-bracing, is always required. See BCSI.
2. Truss bracing must be designed by an engineer. For wide truss spacing, individual lateral braces themselves may require bracing, or alternative Tor I bracing should be considered.
3. Never exceed the design loading shown and never stack materials on inadequately braced trusses.
4. Provide copies of this truss design to the building designer, erection supervisor, property owner and all other interested parties.
5. Cut members to bear tightly against each other.
6. Place plates on each face of truss at each joint and embed fully. Knots and wane at joint locations are regulated by ANSI/TPI 1.
7. Design assumes trusses will be suitably protected from the environment in accord with ANSI/TPI 1.
8. Unless otherwise noted, moisture content of lumber shall not exceed 19% at time of fabrication.
9. Unless expressly noted, this design is not applicable for use with fire retardant, preservative treated, or green lumber.
10. Camber is a non-structural consideration and is the responsibility of truss fabricator. General practice is to camber for dead load deflection.
11. Plate type, size, orientation and location dimensions indicated are minimum plating requirements.
12. Lumber used shall be of the species and size, and in all respects, equal to or better than that specified.
13. Top chords must be sheathed or purlins provided at spacing indicated on design.
14. Bottom chords require lateral bracing at 10 ft. spacing, or less, if no ceiling is installed, unless otherwise noted.
15. Connections not shown are the responsibility of others.
16. Do not cut or alter truss member or plate without prior approval of an engineer.
17. Install and load vertically unless indicated otherwise.
18. Use of green or treated lumber may pose unacceptable environmental, health or performance risks. Consult with project engineer before use.
19. Review all portions of this design (front, back, words and pictures) before use. Rewriting pictures alone is not sufficient.
20. Design assumes manufacture in accordance with ANSI/TPI 1 Quality Criteria.
21. The design does not take into account any dynamic or other loads other than those expressly stated.