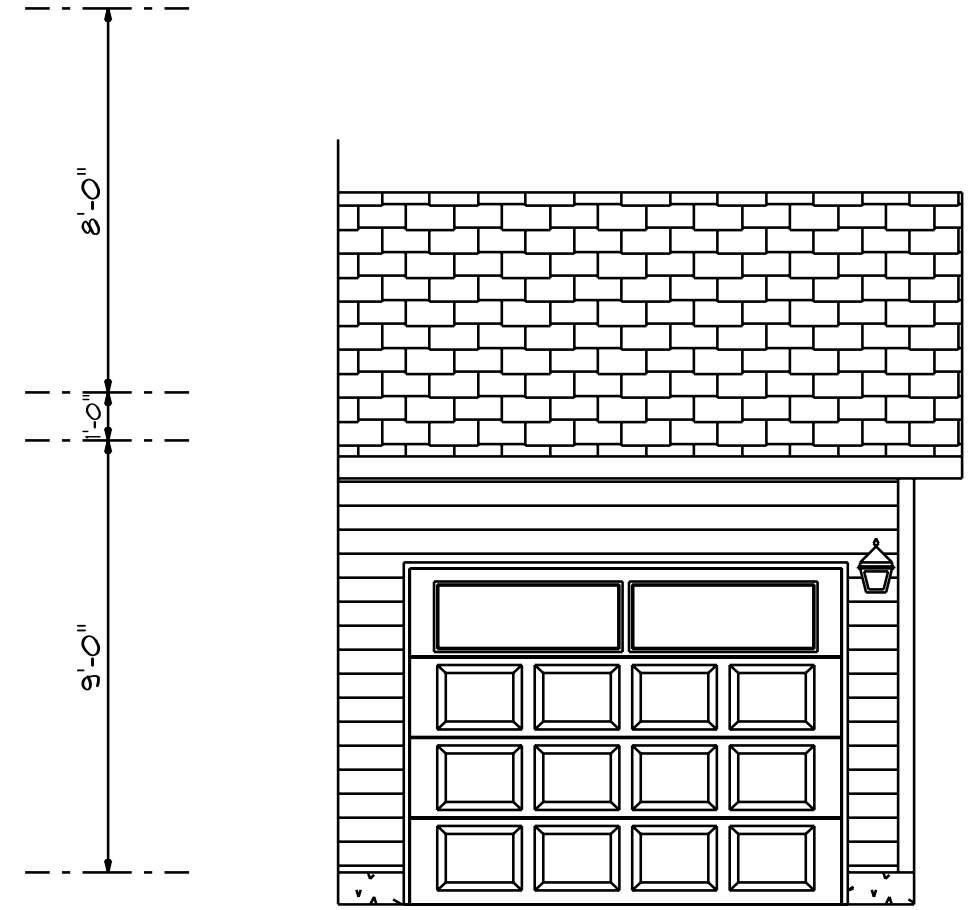




**Front Elevation**  
Scale: 1/4" = 1'0"



**Optional Garage**



**Rear Elevation**  
Scale: 1/8" = 1'0"



**Left Elevation**  
Scale: 1/8" = 1'0"



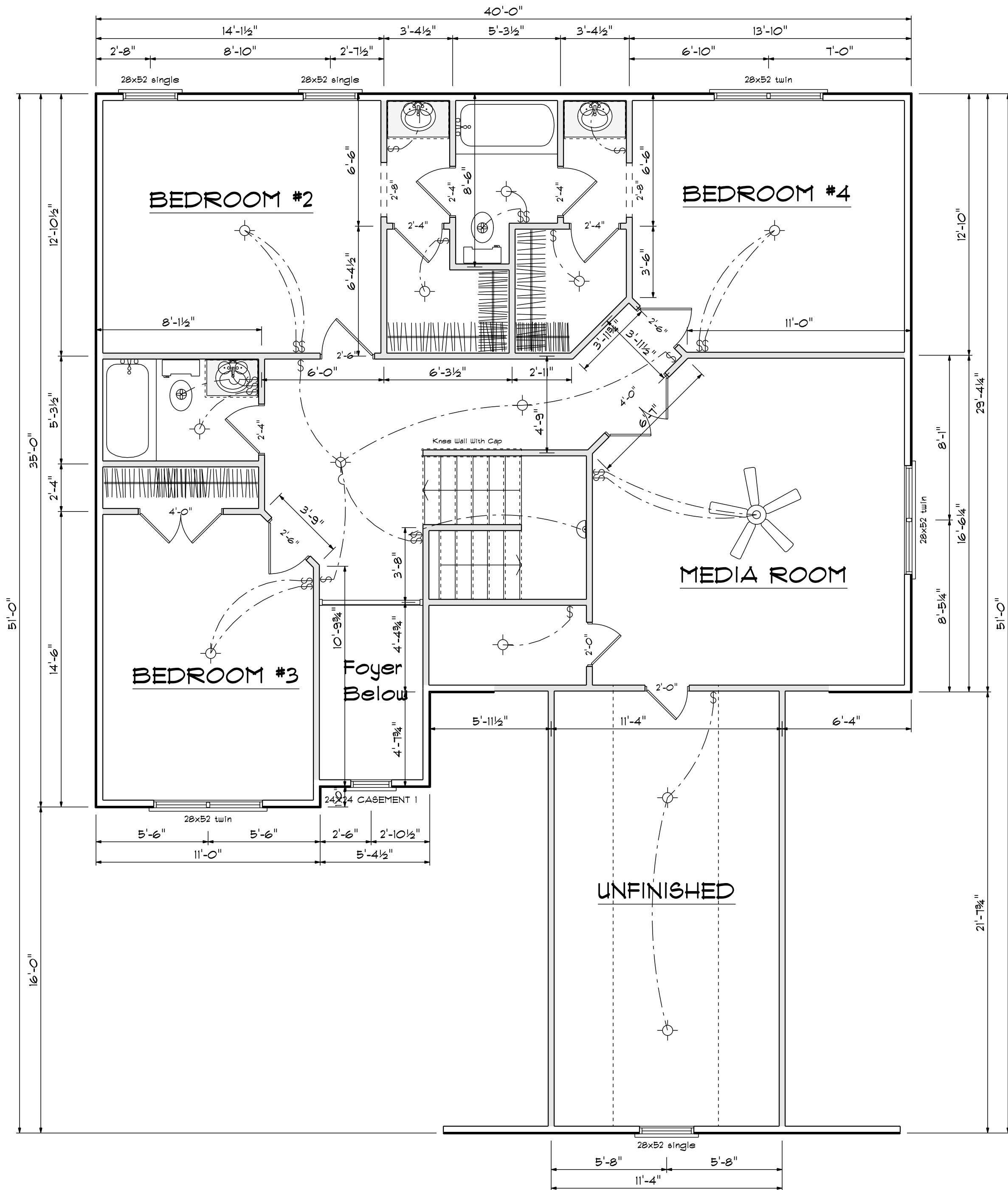
**Right Elevation**  
Scale: 1/8" = 1'0"

DATE: 9/8/2021  
REVISED  
DRAWING#

SCALE: 1/4"  
DRAWN BY  
APPROVED

**The Williams**





SECOND FLOOR OPENING SCHEDULE			
PRODUCT CODE	SIZE	HINGE	COUNT
2-0 Door Unit	2'-0"	R	2
2-4 Door Unit	2'-4"	R	2
2-4 Door Unit	2'-4"	L	3
2-6 Door Unit	2'-6"	R	2
2-6 Door Unit	2'-6"	L	1
4-0 Doublehung Door Unit	4'-0"	LR	2
24X24 CASEMENT 1	2'-0" x 2'-0"	N	1
28x52 single	2'-8" x 5'-2"	N	3
28x52 twin	5'-4" x 5'-2"	NN	3

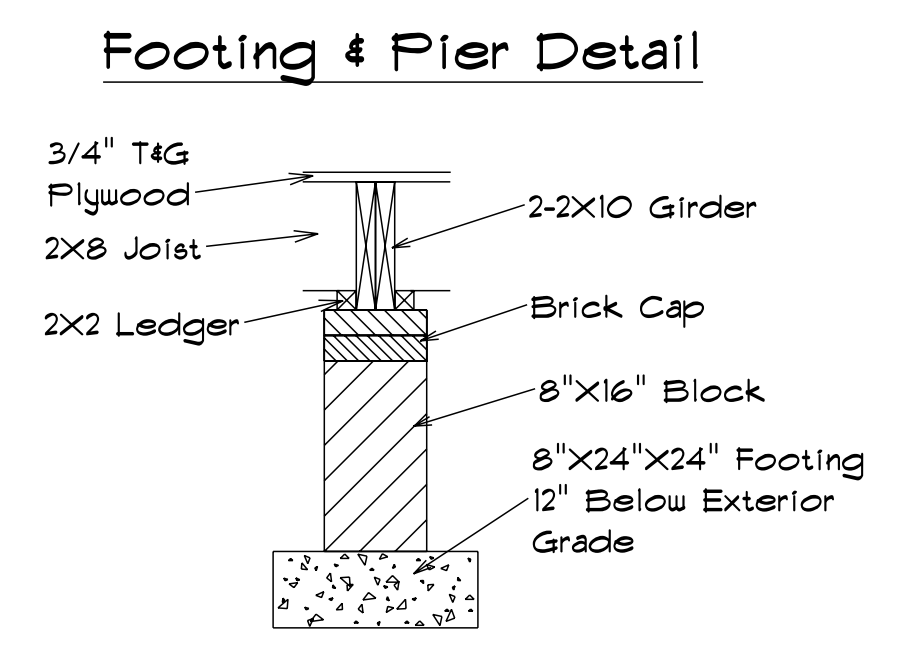
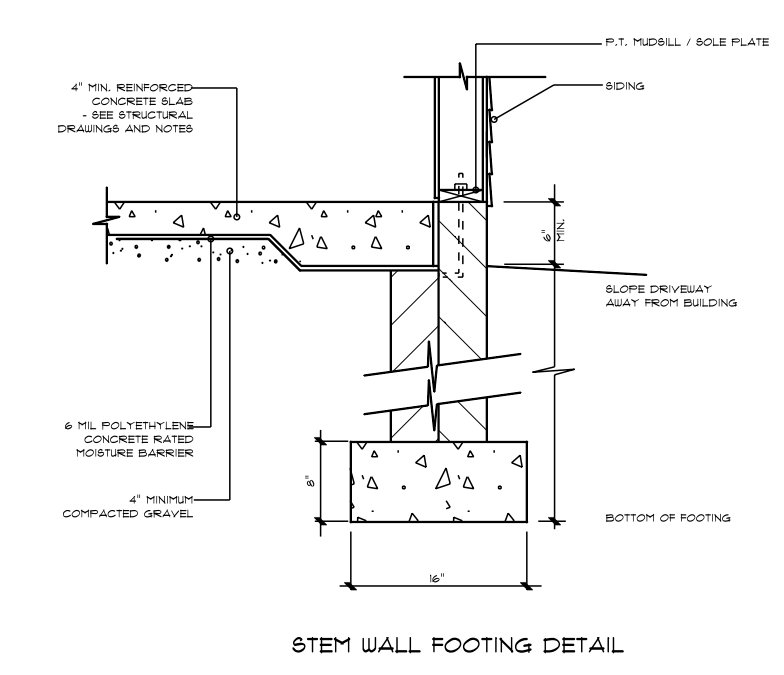
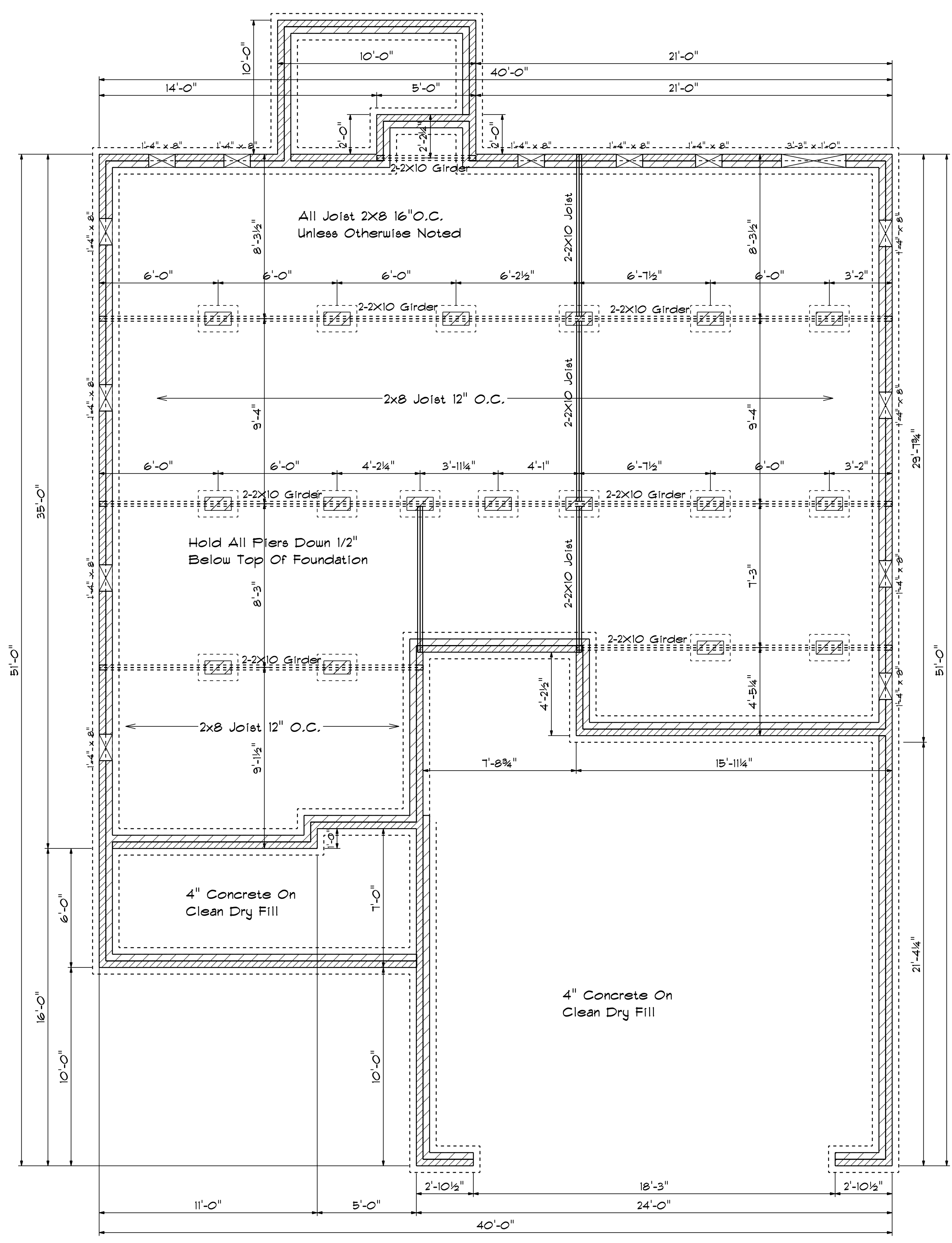
Second Floor Plan  
 Scale: 1/4" = 1'-0"

DATE: 9/8/2021  
 REVISED  
 DRAWING#

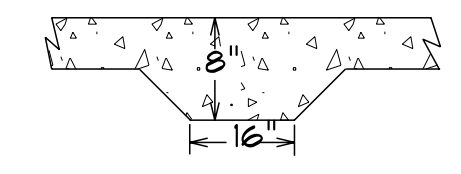
SCALE: 1/4"  
 DRAWN BY  
 APPROVED

The Williams



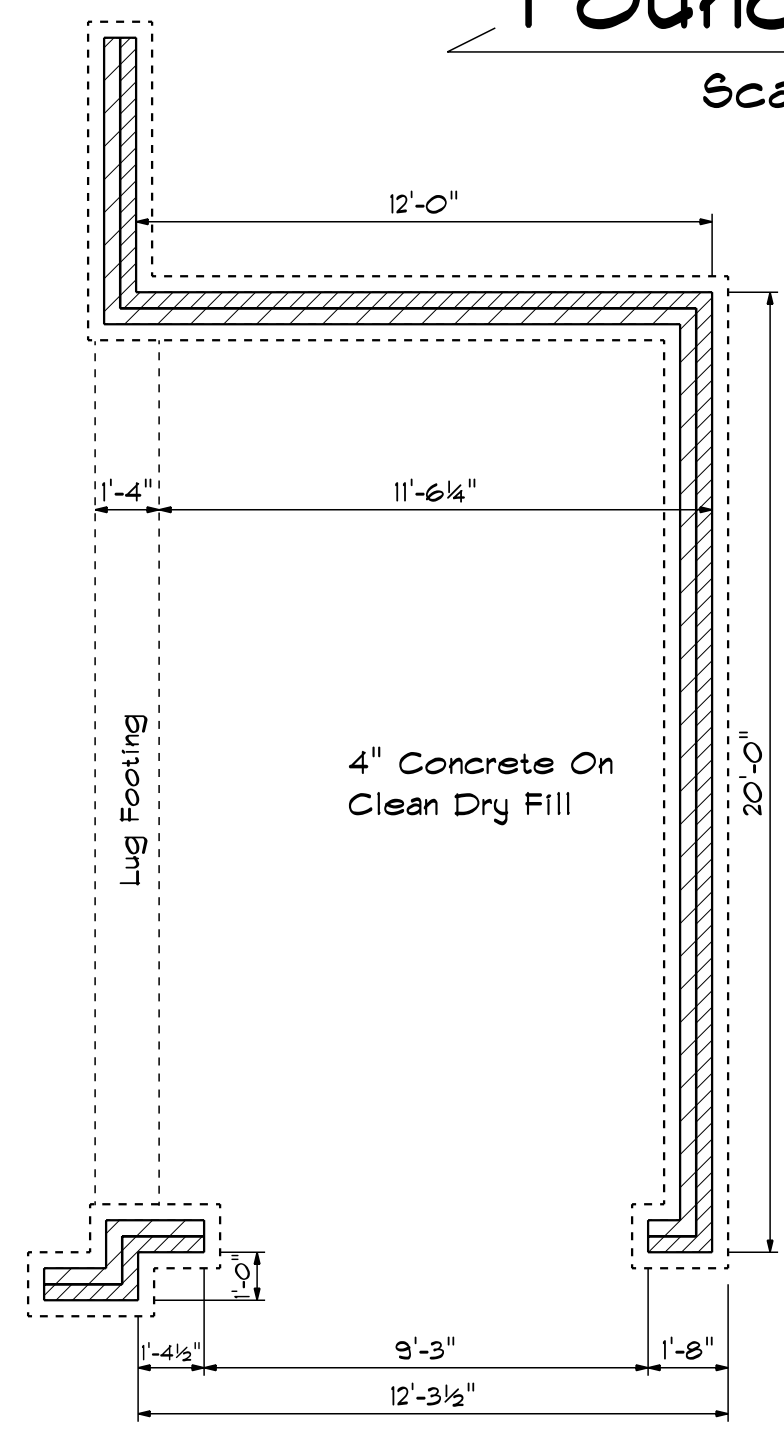


### Lug Footing Detail



### Foundation Plan

Scale: 1/4" = 1'-0"

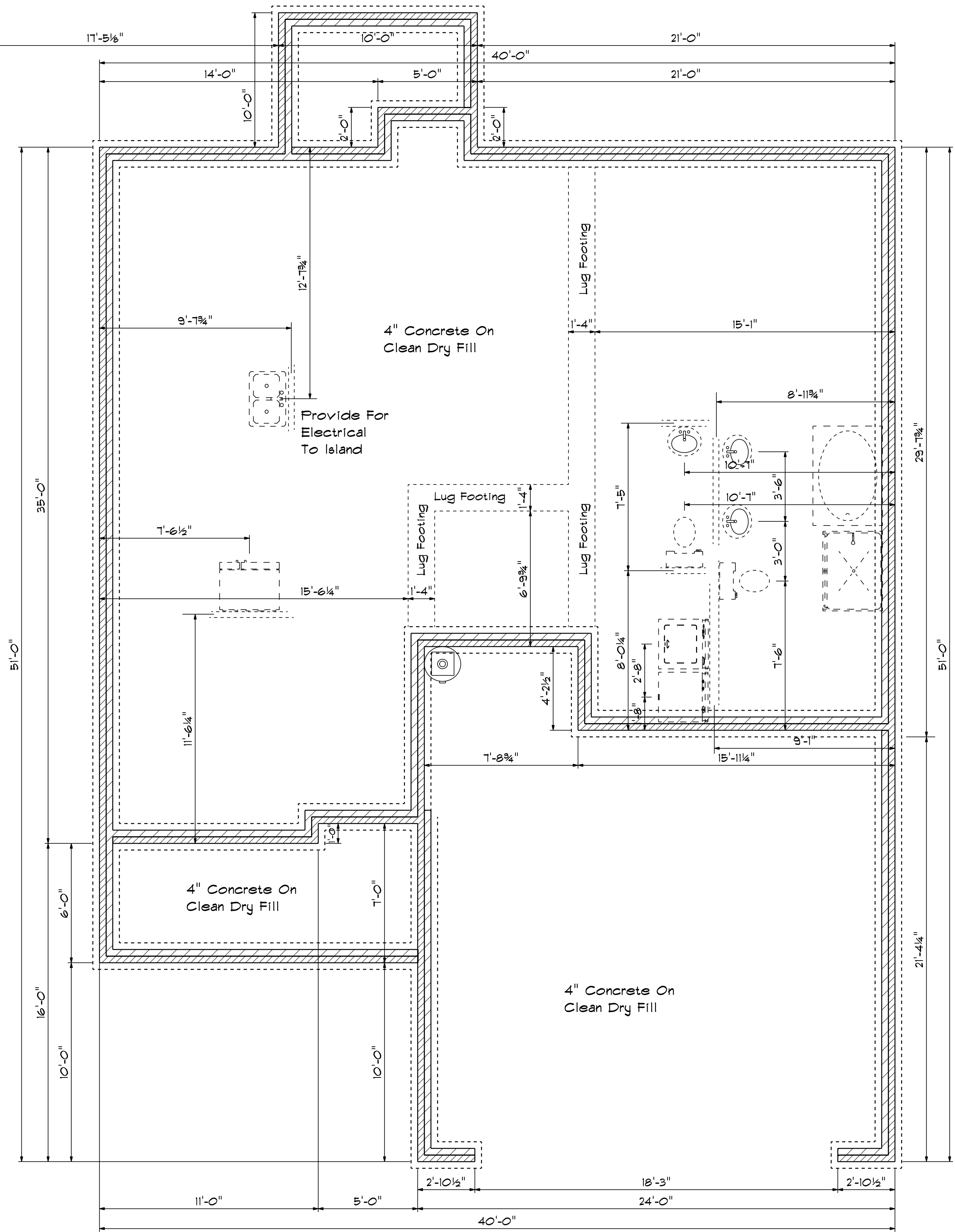


### FOUNDATION VENTILATION

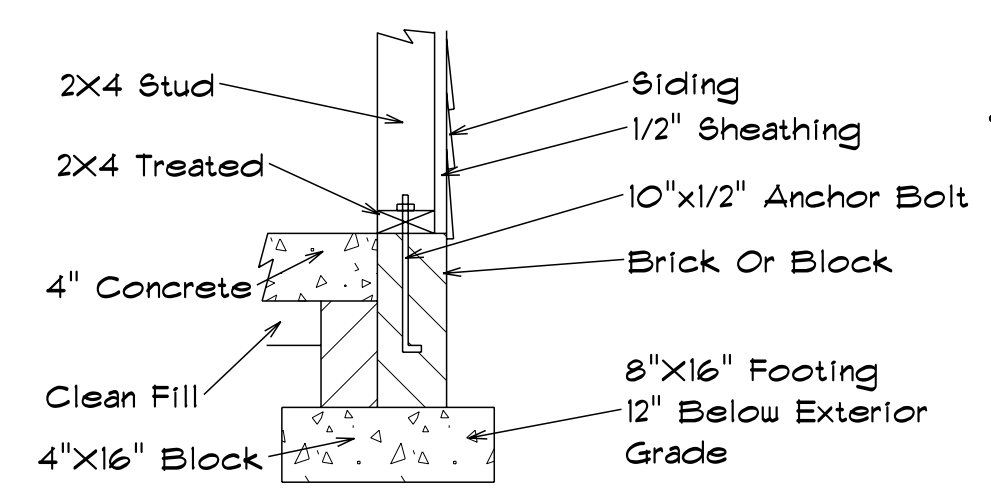
1233 Sq.Ft. Foundation Area  
 Requires 8.22 Sq.Ft. Ventilation.  
 With 6 Mil. Poly, Plans Indicate  
 Vents For Adequate Cross  
 Ventilation.

DATE: 9/8/2021
REVISED
DRAWING#
SCALE: 1/4"
DRAWN BY
APPROVED

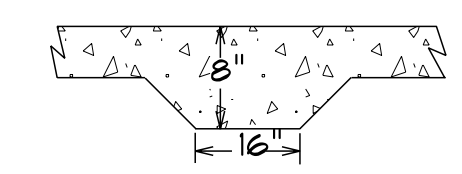
The Williams



### Foundation Detail Siding

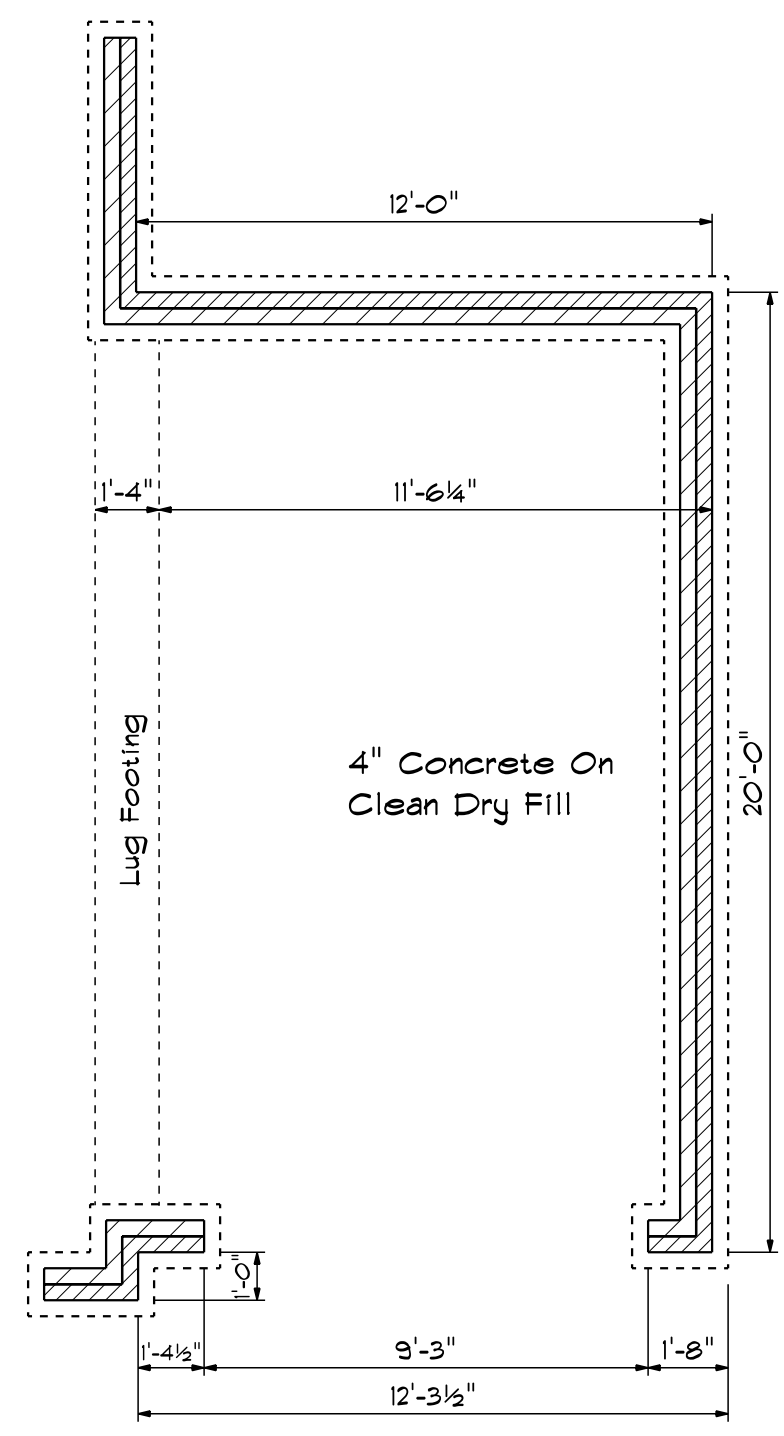


### Lug Footing Detail



### Foundation Plan

Scale: 1/4" = 1'-0"



### Optional Garage

DATE: 9/8/2021  
REVISED  
DRAWING#

SCALE: 1/4"  
DRAWN BY  
APPROVED

The Williams