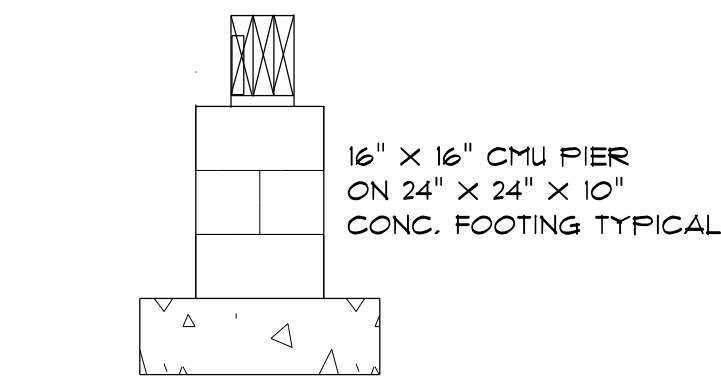


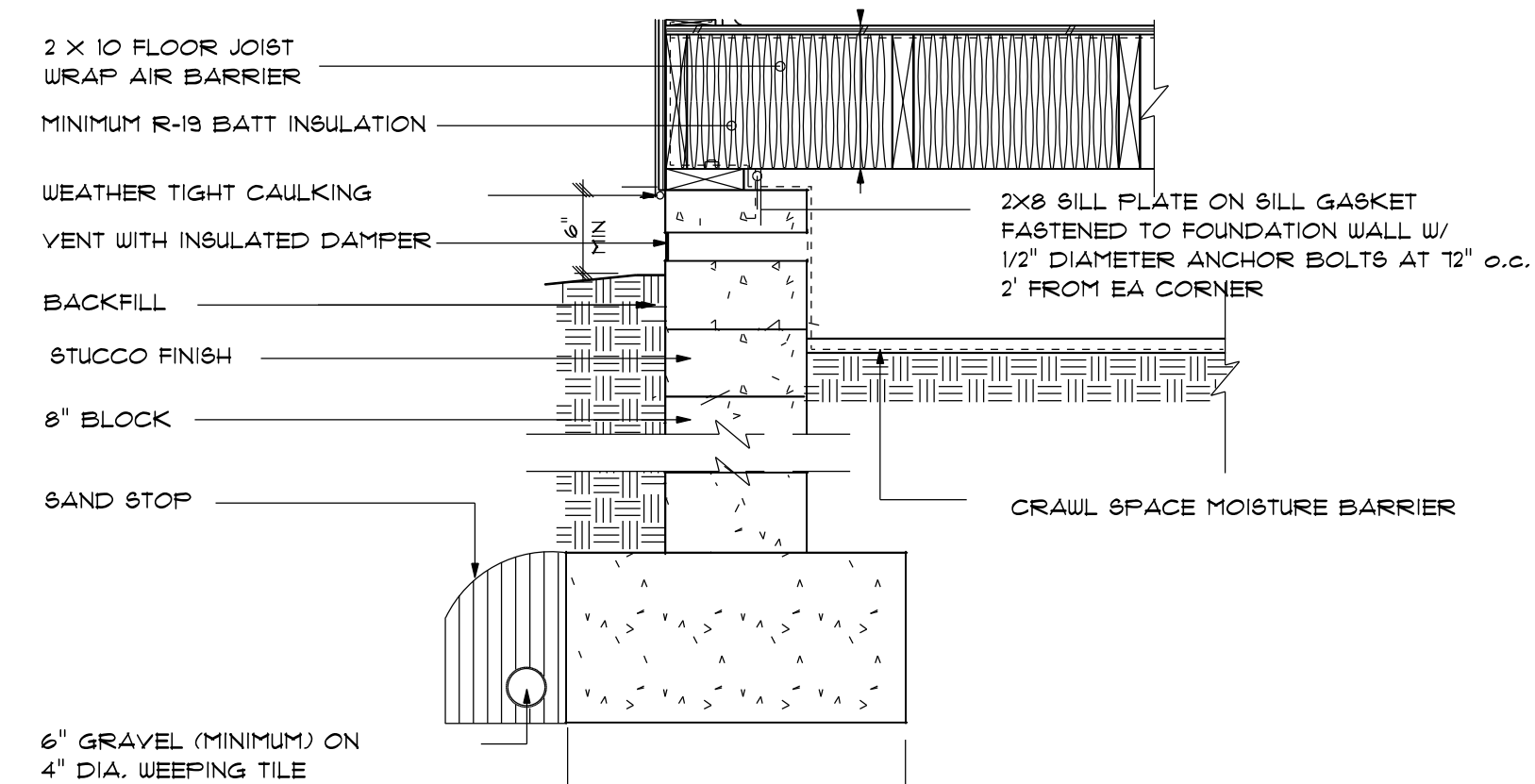
TYPICAL WALL: 8" BLOCK W/ 18" X 10" FOOTING
 3- 2 X 10'S GIRDER
 2 X 10'S 16" OC JOIST

FOUNDATION NOTES:
 ALL FOOTINGS SHALL BEAR ON ORIGINAL UNDISTURBED SOIL.
 THE 28 DAY COMPRESSIVE STRENGTH OF ALL FOOTINGS IS 3000 PSI
 PROVIDE WATER PROOFING AND PERIMETER DRAINS AS REQUIRED.
 FOUNDATION CONCRETE MIX TO HAVE 1-1/2" MAX AGGREGATE SIZE. CONCRETE
 FILL MIX TO HAVE 1/2" MAX AGGREGATE SIZE.
 FOOTING WIDTHS ARE BASED ON A LOAD-BEARING SOIL CAPACITY OF 2000 PSI.
 PROVIDE 6 MIL POLY VAPOR BARRIER TO COVER GROUND SURFACE IN CRAWL SPACE
 ALL ANCHOR BOLTS TO BE 12" LONG, 1/2" DIA. A36 UNO ANCHOR BOLTS SHALL BE SPACE AT A MAX
 OF 6' OC AND NO MORE THAN 1' FROM EA CORNER.

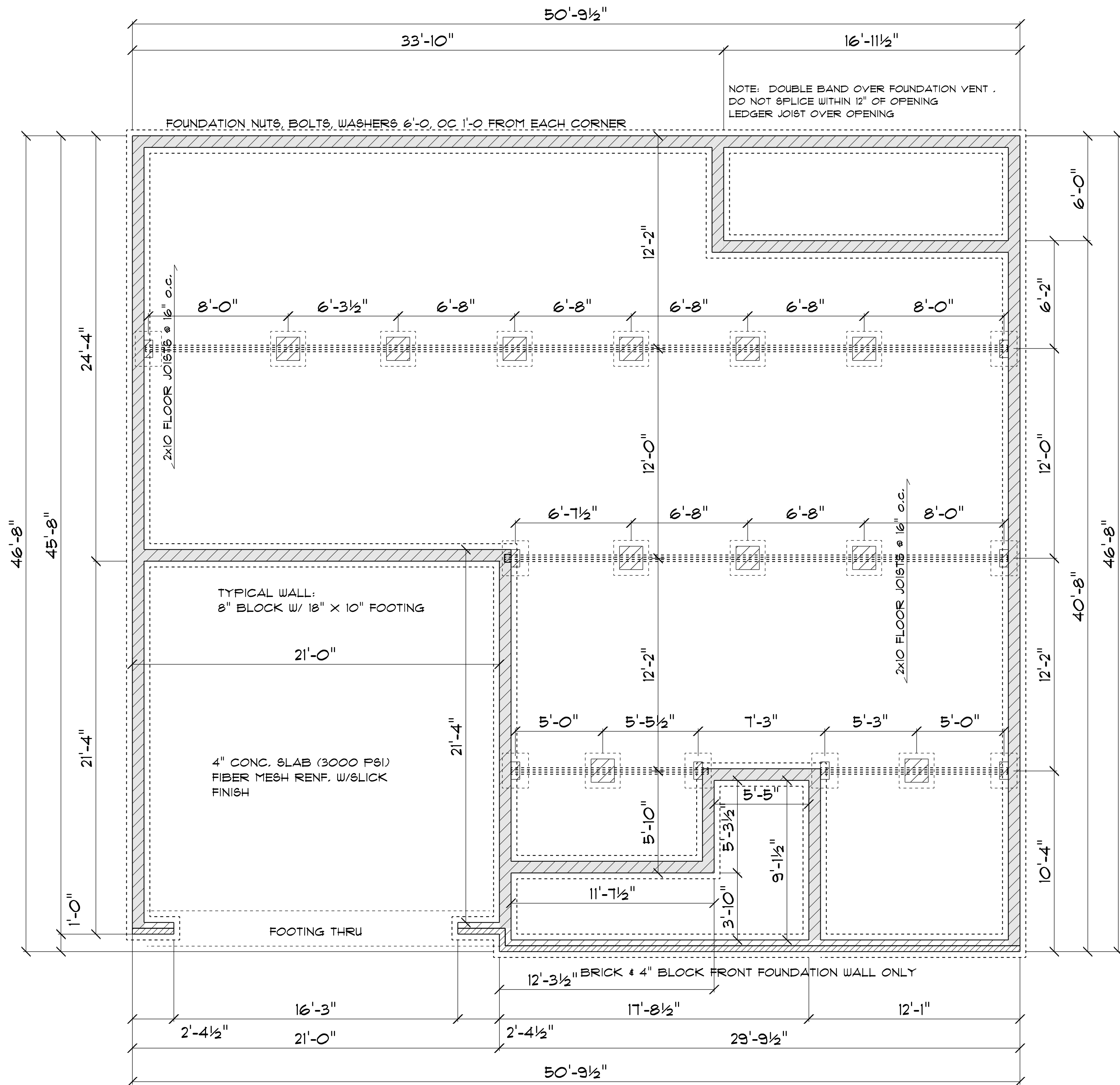
Termites Soil Treatment: Treat entire slab area soil or crawl space
 surface before vapor barrier is installed and slab is poured
 with a state approved termiticide. Termiticide should be
 applied by a licensed and certified pest control professional
 by the state of North Carolina.



CONCRETE BLOCK PIER DETAIL
 not to scale



Footing & Foundation Detail
 not to scale



FOUNDATION PLAN

SCALE: 1" = 1/4"