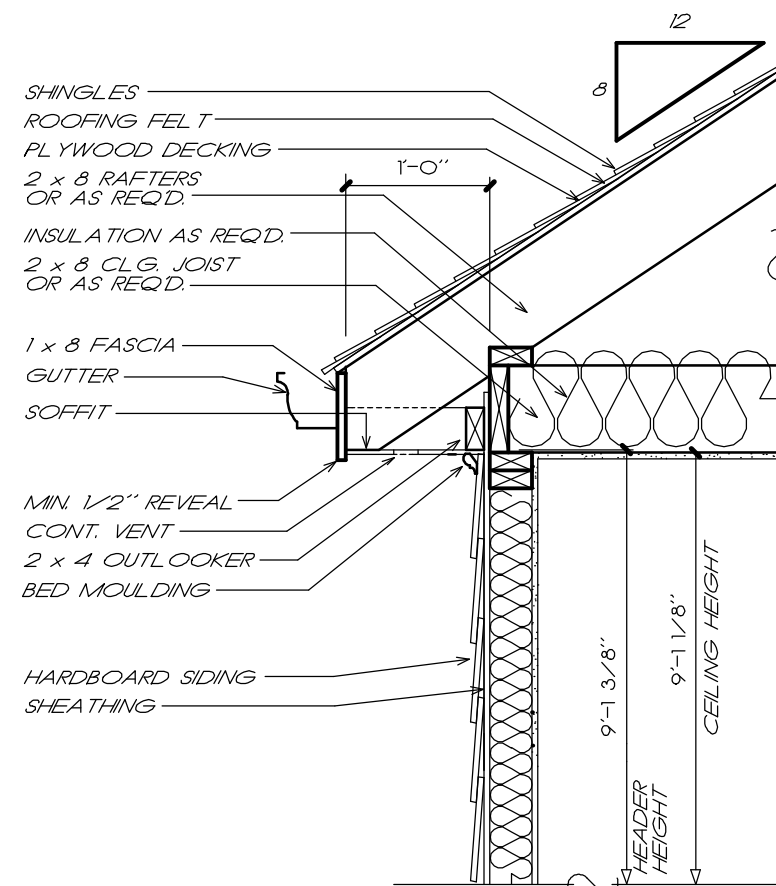
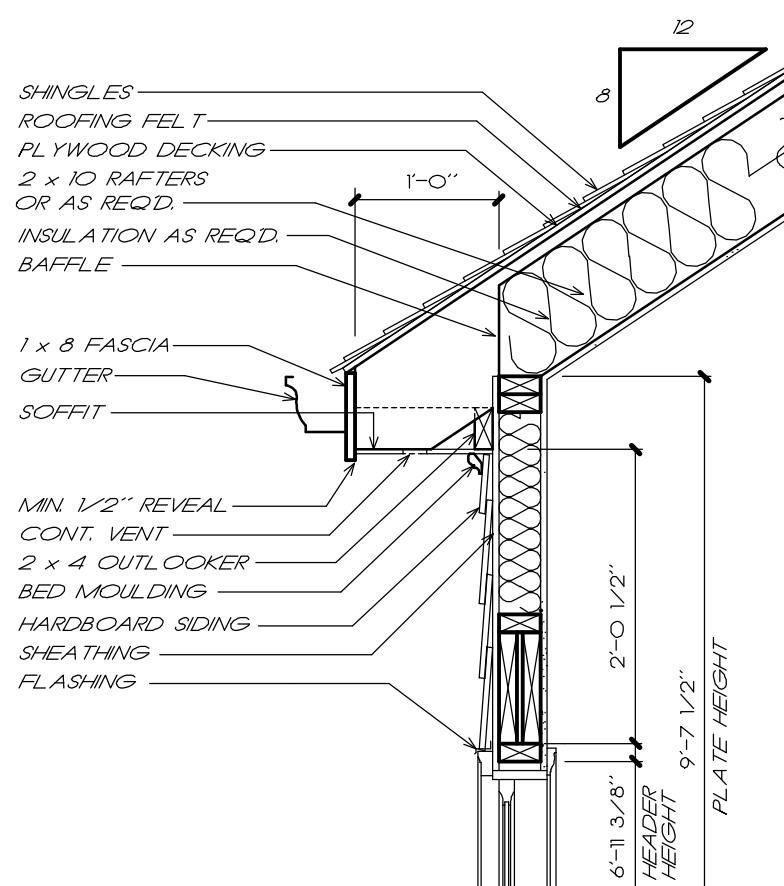


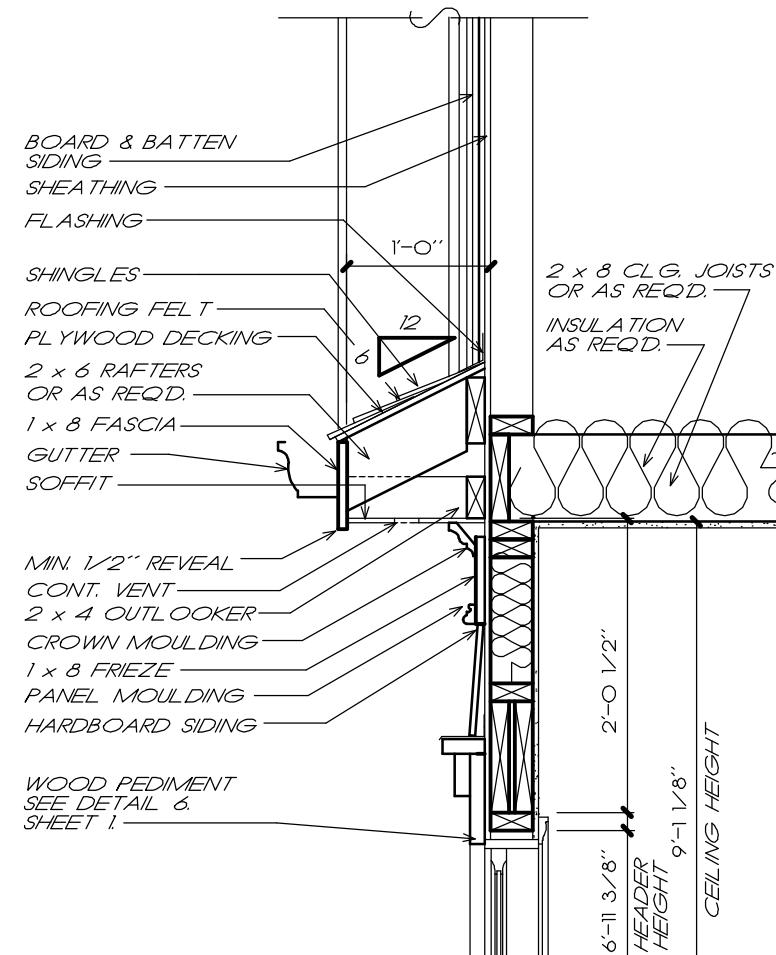
TIME: 12:49 PM DATE: 11-27-2001 PATHNAME: X:\BOOK24\BUCKNER_1304A08.DCS



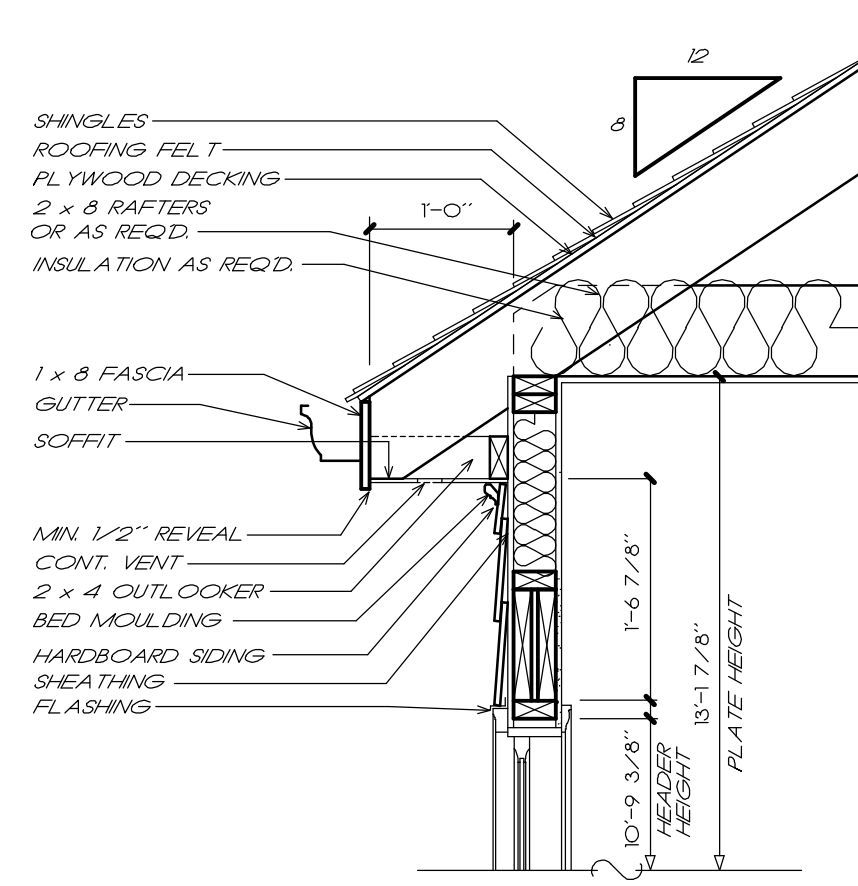
1 CORNICE DETAIL
3/4" = 1'-0"



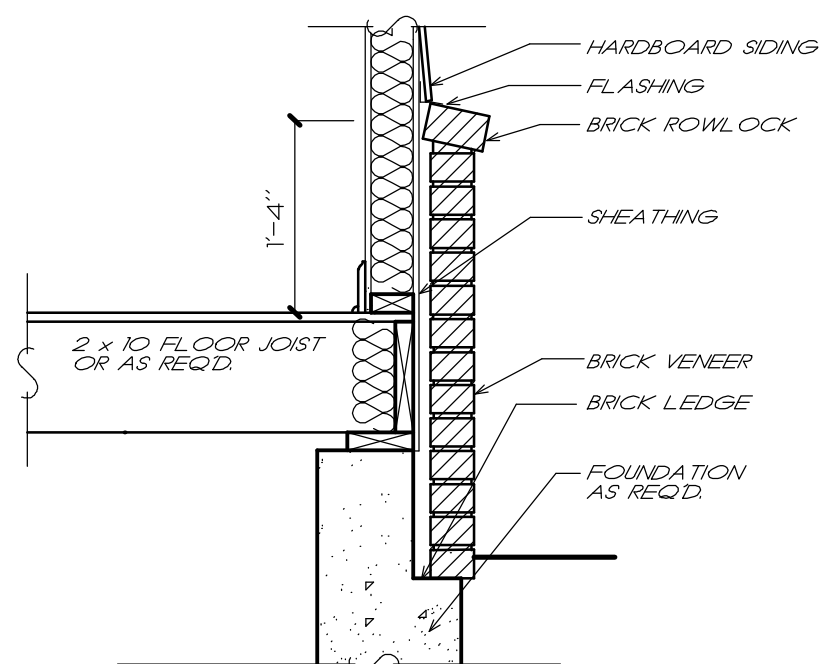
2 CORNICE DETAIL
3/4" = 1'-0"



3 CORNICE DETAIL
3/4" = 1'-0"

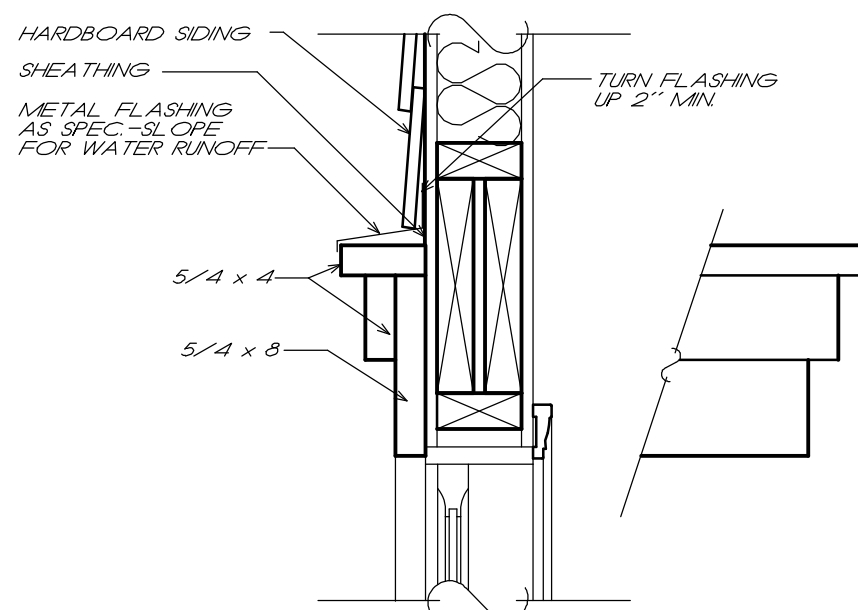


4 CORNICE DETAIL
3/4" = 1'-0"



5 BRICK WATERTABLE DETAIL
3/4" = 1'-0"

NOTE: RAFTERS ARE PITCHED FROM TOP OF CEILING JOISTS SEE DETAILS



6 TYP. PEDIMENT DETAIL
1/2" = 1'-0"

NOTE: ATTIC VENTILATION PER LOCAL CODES AND REQUIREMENTS



FRONT ELEVATION
1/4" = 1'-0"

FRANK BETZ ASSOCIATES, INC. ASSUMES NO LIABILITY FOR ANY CHANGES OR MODIFICATIONS MADE TO THESE PLANS BY OTHERS.

COPYRIGHT © 2001 BY FRANK BETZ ASSOCIATES, INC. NOT TO BE REPRODUCED

DATE	REV	DATE	REV

HOMEPANS
Designed for Today's Market®
www.frankbetz.com

ELEVATIONS
THE BUCKNER

FRANK BETZ ASSOCIATES, INC.
DESIGNERS OF CUSTOM AND STOCK HOMEPANS
3550 GEORGE BUSBEE PARKWAY
SUITE 190
KENNESAW, GEORGIA 30144
770-431-0888 888-717-5003

BY: THH CK WMB

DATE: 05-08-01

SHEET
1
OF 5