

RE: 3095739 - H&H/ROOSEVELT/ELEV:B/BASE+COP/Lot 62

Trenco
 818 Soundside Rd
 Edenton, NC 27932

Site Information:

Project Customer: H and H Project Name:
 Lot/Block: 62 Subdivision: OAKMONT
 Address:
 City: LILLINGTON State: NC

Name Address and License # of Structural Engineer of Record, If there is one, for the building.

Name: License #:
 Address:
 City, County: State:

General Truss Engineering Criteria & Design Loads (Individual Truss Design Drawings Show Special Loading Conditions):

Design Code: IRC2015/TPI2014 Design Program: MiTek 20/20 8.5
 Wind Code: ASCE 7-10 Design Method: MWFRS (Envelope)/C-C hybrid Wind ASCE 7-10
 Wind Speed: 150 mph
 Roof Load: 40.0 psf Floor Load: N/A psf

This package includes 2 individual, dated Truss Design Drawings and 0 Additional Drawings.

No.	Seal#	Job ID#	Truss Name	Date
1	155167650	3095739		11/10/22
2	155167651	3095739	B03	11/10/22

The truss drawing(s) referenced above have been prepared by Truss Engineering Co. under my direct supervision based on the parameters provided by Builders FirstSource-Sumter,SC.

Truss Design Engineer's Name: Gilbert, Eric
 My license renewal date for the state of North Carolina is December 31, 2022.



IMPORTANT NOTE: The seal on these truss component designs is a certification that the engineer named is licensed in the jurisdiction(s) identified and that the designs comply with ANSI/TPI 1. These designs are based upon parameters shown (e.g., loads, supports, dimensions, shapes and design codes), which were given to MiTek or TRENCO. Any project specific information included is for MiTek's or TRENCO's customers file reference purpose only, and was not taken into account in the preparation of these designs. MiTek or TRENCO has not independently verified the applicability of the design parameters or the designs for any particular building. Before use, the building designer should verify applicability of design parameters and properly incorporate these designs into the overall building design per ANSI/TPI 1, Chapter 2.

November 10,2022

Gilbert, Eric

Job	Truss	Truss Type	Qty	Ply	H&H/ROOSEVELT/ELEV:B/BASE+COP/Lot 62	155167650
3095739	A05	GABLE	1	1		

Builders FirstSource (Sumter, SC), Sumter, SC - 29153,

8.530 s Aug 11 2022 MiTek Industries, Inc. Tue Nov 8 15:26:08 2022 Page 1

ID:5gbe_Q0JNoiH4zfeQirvLHzQqXF-bdU3RJ84Wq1_HcuFYjdvNwaigG2gUQOnLk1y5GyLCQD

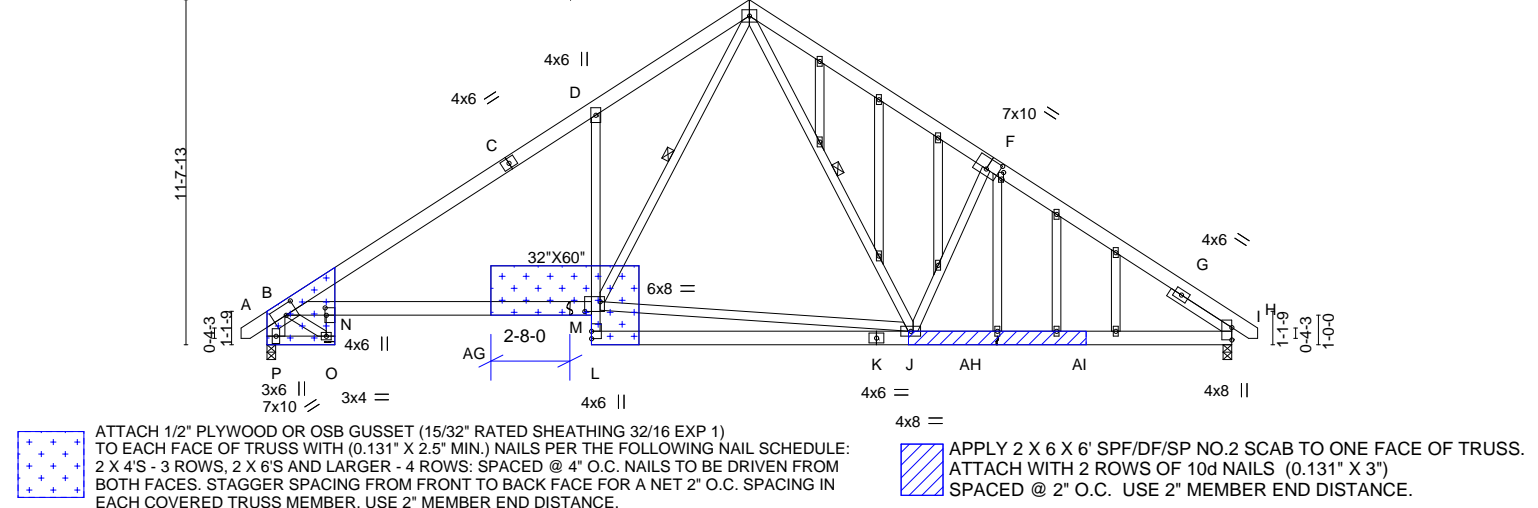
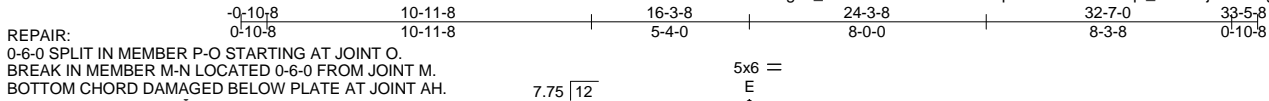


Plate Offsets (X,Y)--	[B:0-4-9,0-4-0], [F:0-5-0,0-4-8], [M:0-6-4,0-4-0], [N:0-3-0,0-0-8], [V:0-2-10,0-0-12]
-----------------------	---

LOADING (psf)	SPACING-	2-0-0	CSI.	DEFL.	in (loc)	l/defl	L/d	PLATES	GRIP
TCLL 20.0	Plate Grip DOL	1.15	TC 0.72	Vert(LL)	0.33	M-N >999	240	MT20	244/190
TCDL 10.0	Lumber DOL	1.15	BC 0.77	Vert(CT)	-0.35	M-N >999	240		
BCLL 0.0 *	Rep Stress Incr	YES	WB 0.73	Horz(CT)	0.17	H n/a	n/a		
BCDL 10.0	Code IRC2015/TPI2014		Matrix-AS						
								Weight: 291 lb	FT = 20%

LUMBER-	BRACING-
TOP CHORD 2x6 SP No.2	TOP CHORD Structural wood sheathing directly applied, except end verticals.
BOT CHORD 2x6 SP No.2 *Except* O-P,D-L,N-O: 2x4 SP No.2	BOT CHORD Rigid ceiling directly applied.
WEBS 2x4 SP No.3 *Except* B-P: 2x8 SP DSS	WEBS 1 Row at midpt E-M, E-J
OTHERS 2x4 SP No.3	
SLIDER Right 2x4 SP No.2 2-6-0	

REACTIONS.	(size) P=0-3-8, H=0-3-8
Max Horz	P=-537(LC 10)
Max Uplift	P=-592(LC 12), H=-591(LC 13)
Max Grav	P=1421(LC 19), H=1403(LC 20)

FORCES.	(lb) - Max. Comp./Max. Ten. - All forces 250 (lb) or less except when shown.
TOP CHORD	B-D=-2172/993, D-E=-2467/1365, E-F=-2060/1108, F-H=-1969/970, B-P=-1698/897
BOT CHORD	O-P=-711/659, B-N=-522/1676, M-N=-709/1889, D-M=-851/770, H-J=-589/1548, N-O=-386/369
WEBS	J-M=-333/1229, E-M=-879/1435, E-J=-508/823, F-J=-672/637, B-O=-545/638


- NOTES-** (10)
- 1) Unbalanced roof live loads have been considered for this design.
 - 2) Wind: ASCE 7-10; Vult=150mph Vasd=119mph; TC DL=6.0psf; BCDL=6.0psf; h=25ft; Cat. II; Exp C; Enclosed; MWFRS (envelope) gable end zone and C-C Exterior(2) zone; end vertical left and right exposed; C-C for members and forces & MWFRS for reactions shown; Lumber DOL=1.60 plate grip DOL=1.60
 - 3) Truss designed for wind loads in the plane of the truss only. For studs exposed to wind (normal to the face), see Standard Industry Gable End Details as applicable, or consult qualified building designer as per ANSI/TPI 1.
 - 4) All plates are 2x4 MT20 unless otherwise indicated.
 - 5) Gable studs spaced at 2-0-0 oc.
 - 6) This truss has been designed for a 10.0 psf bottom chord live load nonconcurrent with any other live loads.
 - 7) * This truss has been designed for a live load of 20.0psf on the bottom chord in all areas where a rectangle 3-6-0 tall by 2-0-0 wide will fit between the bottom chord and any other members, with BCDL = 10.0psf.
 - 8) Provide mechanical connection (by others) of truss to bearing plate capable of withstanding 592 lb uplift at joint P and 591 lb uplift at joint H.
 - 9) This truss design requires that a minimum of 7/16" structural wood sheathing be applied directly to the top chord and 1/2" gypsum sheetrock be applied directly to the bottom chord.
 - 10) This manufactured truss is designed as an individual building component. The suitability and use of this component for any particular building is the responsibility of the building designer per ANSI TPI 1 as referenced by the building code.



November 10, 2022

WARNING - Verify design parameters and READ NOTES ON THIS AND INCLUDED MITEK REFERENCE PAGE MII-7473 rev. 5/19/2020 BEFORE USE.

Design valid for use only with MiTek® connectors. This design is based only upon parameters shown, and is for an individual building component, not a truss system. Before use, the building designer must verify the applicability of design parameters and properly incorporate this design into the overall building design. Bracing indicated is to prevent buckling of individual truss web and/or chord members only. Additional temporary and permanent bracing is always required for stability and to prevent collapse with possible personal injury and property damage. For general guidance regarding the fabrication, storage, delivery, erection and bracing of trusses and truss systems, see **ANSI/TPI1 Quality Criteria, DSB-89 and BCSI Building Component Safety Information** available from Truss Plate Institute, 2670 Crain Highway, Suite 203 Waldorf, MD 20601

ENGINEERING BY

 A MiTek Affiliate

818 Soundside Road
 Edenton, NC 27932

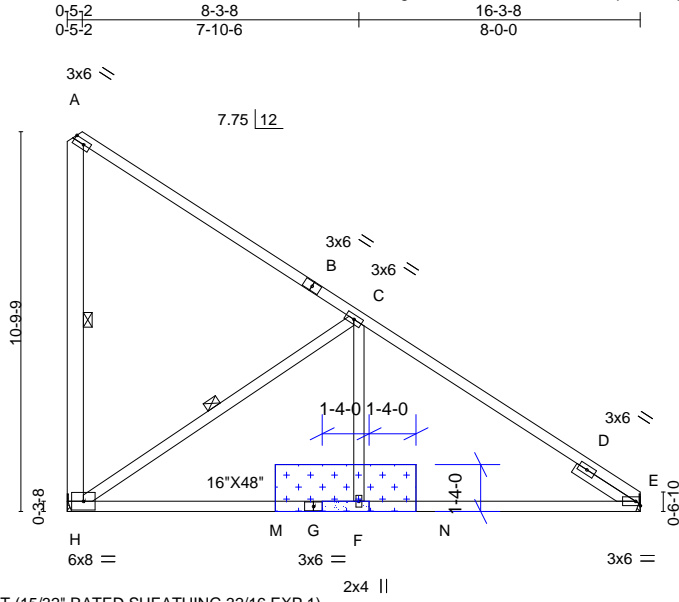
Job 3095739	Truss B03	Truss Type Common	Qty 4	Ply 1	H&H/ROOSEVELT/ELEV:B/BASE+COP/Lot 62 155167651
----------------	--------------	----------------------	----------	----------	---

Builders FirstSource (Sumter, SC), Sumter, SC - 29153,

8.530 s Aug 11 2022 MiTek Industries, Inc. Tue Nov 8 15:26:10 2022 Page 1
ID:5gbe_Q0JNoiH4zfeQirvLHzQqXF-X0bps?AK2RHlWw2ef8fNsx1B4loyOv4o2W399yLCQB

REPAIR:
REPLACE MISSING MEMBER F-G AS SHOWN.

Scale = 1:65.5



ATTACH 1/2" PLYWOOD OR OSB GUSSET (15/32" RATED SHEATHING 32/16 EXP 1) TO EACH FACE OF TRUSS WITH (0.131" X 2.5" MIN.) NAILS PER THE FOLLOWING NAIL SCHEDULE: 2 X 4'S - 3 ROWS, 2 X 6'S AND LARGER - 4 ROWS: SPACED @ 4" O.C. NAILS TO BE DRIVEN FROM BOTH FACES. STAGGER SPACING FROM FRONT TO BACK FACE FOR A NET 2" O.C. SPACING IN EACH COVERED TRUSS MEMBER. USE 2" MEMBER END DISTANCE.

INSTALL 2 X 4 SP NO.2 CUT TO FIT TIGHT.

Plate Offsets (X,Y)-- [A:Edge,0-1-8]		8-3-8		16-3-8		8-0-0	
LOADING (psf)	SPACING-	2-0-0	CSI.	DEFL.	in (loc)	l/defl	L/d
TCLL 20.0	Plate Grip DOL	1.15	TC 0.78	Vert(LL)	0.18 F-K	>999	240
TCDL 10.0	Lumber DOL	1.15	BC 0.60	Vert(CT)	-0.17 F-H	>999	240
BCLL 0.0 *	Rep Stress Incr	YES	WB 0.47	Horz(CT)	0.03 E	n/a	n/a
BCDL 10.0	Code IRC2015/TPI2014		Matrix-AS				
							PLATES MT20
							GRIP 244/190
							Weight: 101 lb FT = 20%

LUMBER-	BRACING-
TOP CHORD 2x4 SP No.2	TOP CHORD Structural wood sheathing directly applied, except end verticals.
BOT CHORD 2x4 SP No.2	BOT CHORD Rigid ceiling directly applied.
WEBS 2x4 SP No.3 *Except* A-H: 2x6 SP No.2	WEBS 1 Row at midpt A-H, C-H
SLIDER Right 2x4 SP No.3 1-11-12	
REACTIONS. (size) H=Mechanical, E=Mechanical Max Horz H=-717(LC 13) Max Uplift H=-607(LC 13), E=-119(LC 13) Max Grav H=847(LC 20), E=717(LC 20)	
FORCES. (lb) - Max. Comp./Max. Ten. - All forces 250 (lb) or less except when shown. TOP CHORD C-E=-673/31, A-H=-324/291 BOT CHORD F-H=0/607, E-F=0/607 WEBS C-F=0/357, C-H=-1006/657	

- NOTES-**
- 1) Wind: ASCE 7-10; Vult=150mph Vasd=119mph; TCDL=6.0psf; BCDL=6.0psf; h=25ft; Cat. II; Exp C; Enclosed; MWFRS (envelope) gable end zone and C-C Exterior(2) zone; C-C for members and forces & MWFRS for reactions shown; Lumber DOL=1.60 plate grip DOL=1.60
 - 2) This truss has been designed for a 10.0 psf bottom chord live load nonconcurrent with any other live loads.
 - 3) * This truss has been designed for a live load of 20.0psf on the bottom chord in all areas where a rectangle 3-6-0 tall by 2-0-0 wide will fit between the bottom chord and any other members, with BCDL = 10.0psf.
 - 4) Refer to girder(s) for truss to truss connections.
 - 5) Provide mechanical connection (by others) of truss to bearing plate capable of withstanding 607 lb uplift at joint H and 119 lb uplift at joint E.
 - 6) This truss design requires that a minimum of 7/16" structural wood sheathing be applied directly to the top chord and 1/2" gypsum sheetrock be applied directly to the bottom chord.



November 10, 2022

WARNING - Verify design parameters and READ NOTES ON THIS AND INCLUDED MITEK REFERENCE PAGE MII-7473 rev. 5/19/2020 BEFORE USE.
 Design valid for use only with MiTek® connectors. This design is based only upon parameters shown, and is for an individual building component, not a truss system. Before use, the building designer must verify the applicability of design parameters and properly incorporate this design into the overall building design. Bracing indicated is to prevent buckling of individual truss web and/or chord members only. Additional temporary and permanent bracing is always required for stability and to prevent collapse with possible personal injury and property damage. For general guidance regarding the fabrication, storage, delivery, erection and bracing of trusses and truss systems, see **ANSI/TPI1 Quality Criteria, DSB-89 and BCSI Building Component Safety Information** available from Truss Plate Institute, 2670 Crain Highway, Suite 203 Waldorf, MD 20601

ENGINEERING BY
TRENCO
 A MiTek Affiliate
 818 Soundside Road
 Edenton, NC 27932

Symbols

PLATE LOCATION AND ORIENTATION



Center plate on joint unless x, y offsets are indicated. Dimensions are in ft-in-sixteenths. Apply plates to both sides of truss and fully embed teeth.



For 4 x 2 orientation, locate plates 0- 1/16" from outside edge of truss.



This symbol indicates the required direction of slots in connector plates.

* Plate location details available in **MITek 20/20 software** or upon request.

PLATE SIZE

4 X 4

The first dimension is the plate width measured perpendicular to slots. Second dimension is the length parallel to slots.

LATERAL BRACING LOCATION



Indicated by symbol shown and/or by text in the bracing section of the output. Use T or I bracing if indicated.

BEARING



Indicates location where bearings (supports) occur. Icons vary but reaction section indicates joint number where bearings occur. Min size shown is for crushing only.

Industry Standards:

ANSI/TP1: National Design Specification for Metal Plate Connected Wood Truss Construction.
DSB-89: Design Standard for Bracing, Building Component Safety Information, Guide to Good Practice for Handling, Installing & Bracing of Metal Plate Connected Wood Trusses.

Numbering System

6-4-8
dimensions shown in ft-in-sixteenths
(Drawings not to scale)



JOINTS ARE GENERALLY NUMBERED/LETTERED CLOCKWISE AROUND THE TRUSS STARTING AT THE JOINT FARTHEST TO THE LEFT.

CHORDS AND WEBS ARE IDENTIFIED BY END JOINT NUMBERS/LETTERS.

PRODUCT CODE APPROVALS

ICC-ES Reports:

ESR-1311, ESR-1352, ESR1988
ER-3907, ESR-2362, ESR-1397, ESR-3282

Trusses are designed for wind loads in the plane of the truss unless otherwise shown.

Lumber design values are in accordance with ANSI/TP1 section 6.3 These truss designs rely on lumber values established by others.

© 2012 MITteK® All Rights Reserved



MITek Engineering Reference Sheet: Mill-7473 rev. 5/19/2020



General Safety Notes

Failure to Follow Could Cause Property Damage or Personal Injury

1. Additional stability bracing for truss system, e.g. diagonal or X-bracing, is always required. See BCSI.
2. Truss bracing must be designed by an engineer. For wide truss spacing, individual lateral braces themselves may require bracing, or alternative Tor I bracing should be considered.
3. Never exceed the design loading shown and never stack materials on inadequately braced trusses.
4. Provide copies of this truss design to the building designer, erection supervisor, property owner and all other interested parties.
5. Cut members to bear tightly against each other.
6. Place plates on each face of truss at each joint and embed fully. Knots and wane at joint locations are regulated by ANSI/TP1 1.
7. Design assumes trusses will be suitably protected from the environment in accord with ANSI/TP1 1.
8. Unless otherwise noted, moisture content of lumber shall not exceed 19% at time of fabrication.
9. Unless expressly noted, this design is not applicable for use with fire retardant, preservative treated, or green lumber.
10. Camber is a non-structural consideration and is the responsibility of truss fabricator. General practice is to camber for dead load deflection.
11. Plate type, size, orientation and location dimensions indicated are minimum plating requirements.
12. Lumber used shall be of the species and size, and in all respects, equal to or better than that specified.
13. Top chords must be sheathed or purlins provided at spacing indicated on design.
14. Bottom chords require lateral bracing at 10 ft. spacing, or less, if no ceiling is installed, unless otherwise noted.
15. Connections not shown are the responsibility of others.
16. Do not cut or alter truss member or plate without prior approval of an engineer.
17. Install and load vertically unless indicated otherwise.
18. Use of green or treated lumber may pose unacceptable environmental, health or performance risks. Consult with project engineer before use.
19. Review all portions of this design (front, back, words and pictures) before use. Rewriting pictures alone is not sufficient.
20. Design assumes manufacture in accordance with ANSI/TP1 1 Quality Criteria.
21. The design does not take into account any dynamic or other loads other than those expressly stated.