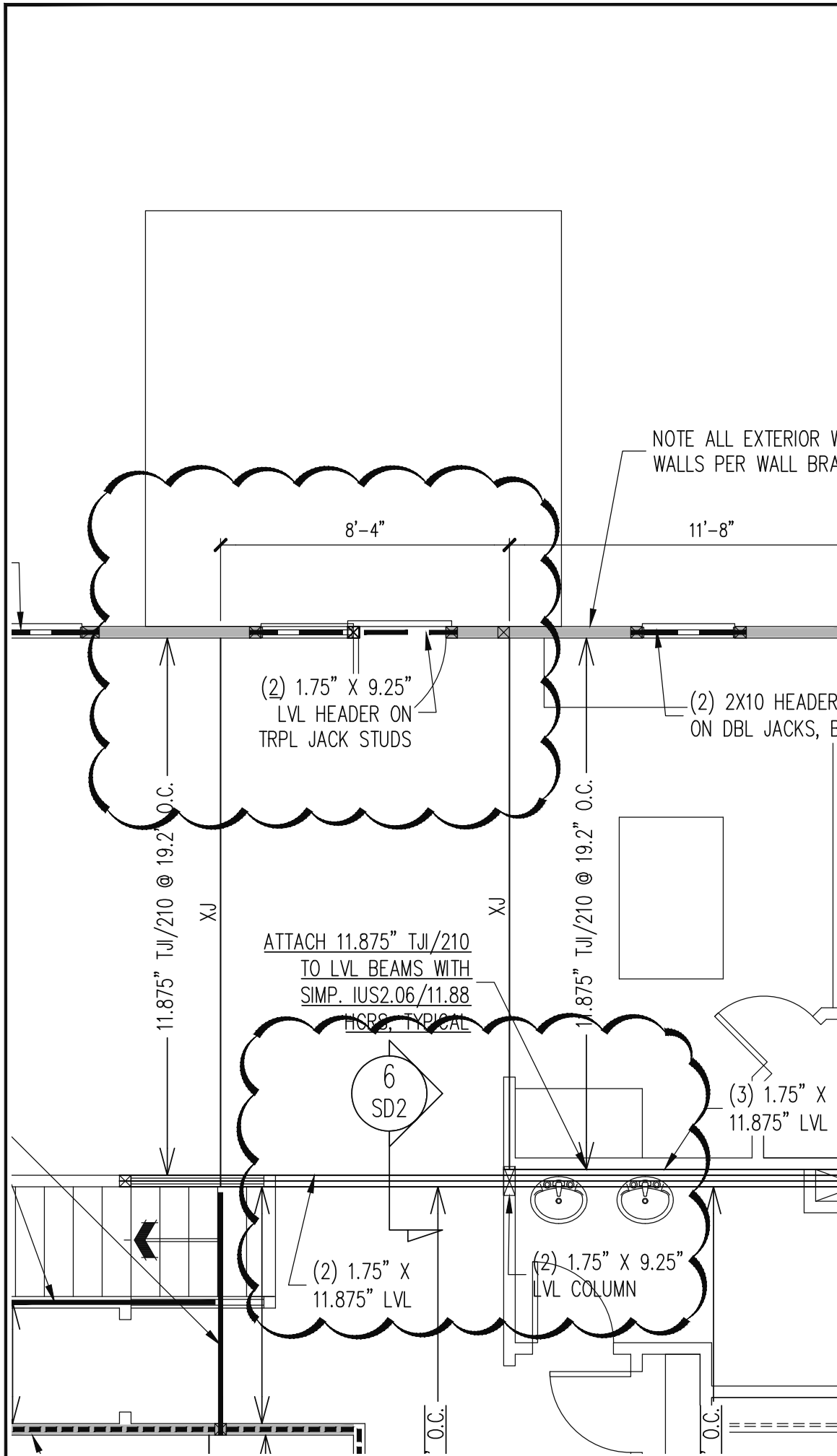


Engineering
Tech
 ASSOCIATES, P.A.

STRUCTURAL ENGINEERS
 License No. C-3870
 318 W Millbrook Rd. Unit 201
 Raleigh, North Carolina 27609
 Phone (919) 844-1661



NOTE ALL EXTERIOR V WALLS PER WALL BRA

| | | | |
|----------------|---------------------------------------|-------|------------|
| TRIPLE A HOMES | | | |
| SCOPE | LVL COLUMN MODIFICATIONS; REAR HEADER | REV # | REF PROJ # |
| LOC | 2 PRINCE PLACE | DATE | |

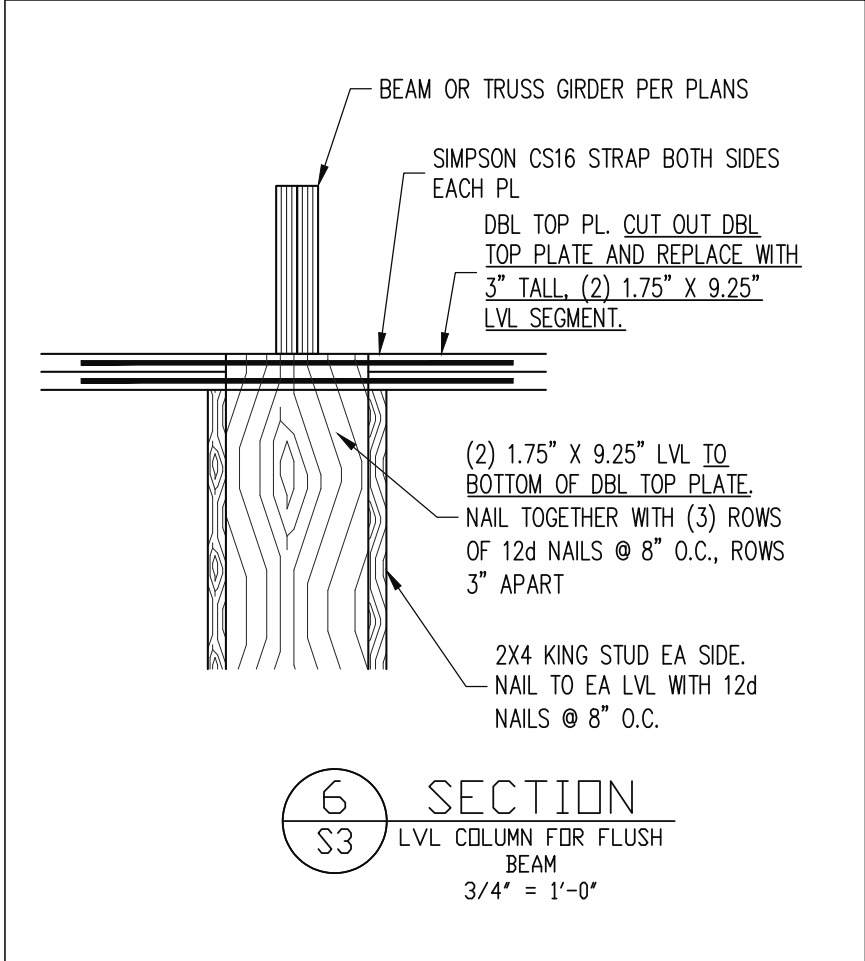
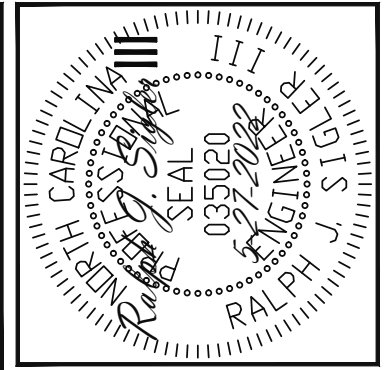
ENG: RJS
 DATE: 5-27-2022

PARENT
 22-28-005

PROJECT NO.
 22-75-553

SHEET NO.
 SL1

1 of 2



Engineering
Lech
ASSOCIATES, P.A.

STRUCTURAL ENGINEERS
License No. C-3870
318 W Millbrook Rd. Unit 201
Raleigh, North Carolina 27609
Phone (919) 844-1661

| | | | |
|----------------|---------------------------------------|-------|------------|
| TRIPLE A HOMES | | | |
| SCOPE | LVL COLUMN MODIFICATIONS; REAR HEADER | REV # | REF PROJ # |
| LOC | 2 PRINCE PLACE | DATE | |
| | | | |
| | | | |

ENG: RJS
DATE: 5-27-2022

PARENT
22-28-005

PROJECT NO.
22-75-553

SHEET NO.
SL2
2 of 2