

# JORDAN

## JORDAN

### REVISION LIST - STRUCTURAL:

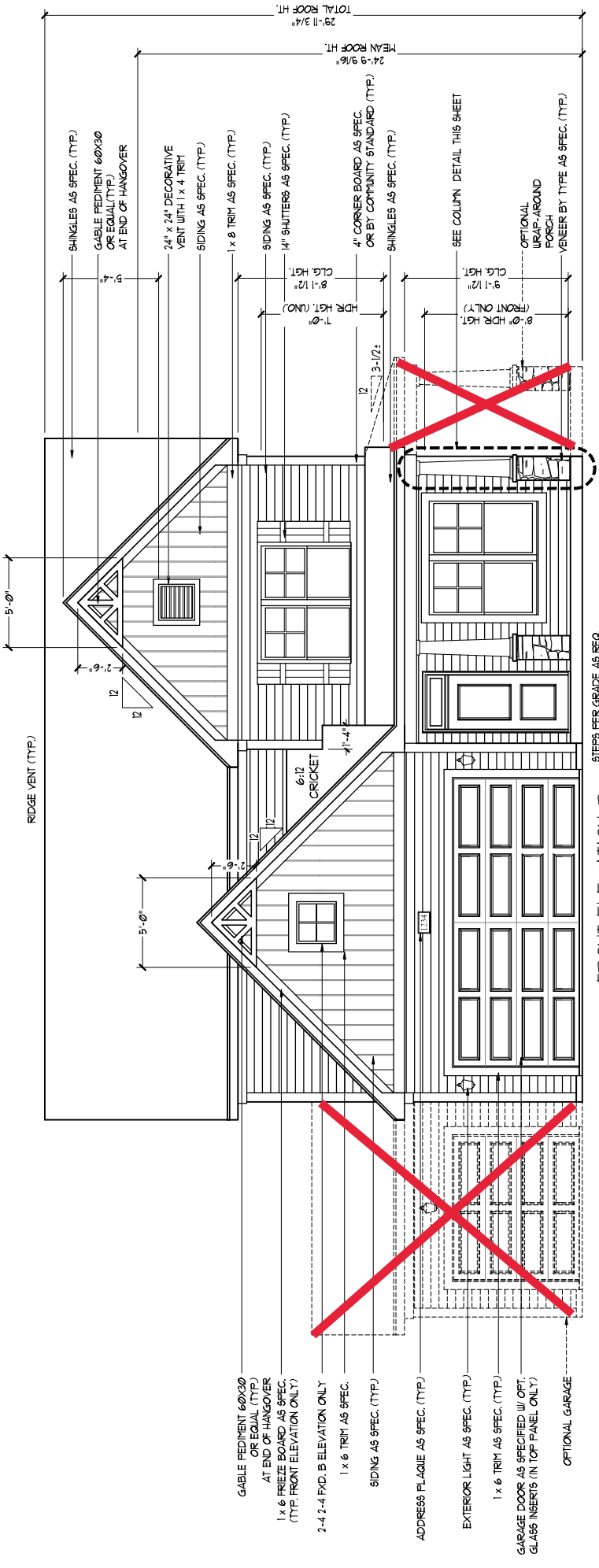
- 1.) CODE UPDATE TO SCRC 2018 (1-20)
- 2.) CHANGE 2X6 EXTERIOR WALLS TO 2X4 EXTERIOR WALLS. (3-5-20)
- 3.) ADDED BASEMENT PLAN WHICH EXTENDS GARAGE FRONT 2'-0". (5-1-20)

# MLP 691 BUYER MARKED

## JORDAN

### REVISION LIST - ARCHITECTURAL:

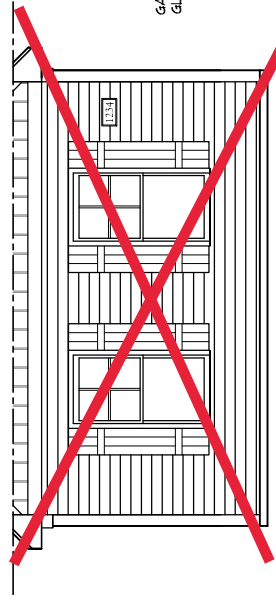
- 1.) UPDATED PLANS, 7'-0" HDR HGT, ADDED 2 HOSE BIBB LOCNS, CHANGE MASTERS TO OWNERS, CHANGE SOFFITS TO C.O., CHANGE MASTERS BATH TO OWNERS BATH 1, CHANGED POWDER TO PDR 1, AND CHANGED BATH TO BATH 2. (11-4-19)
- 2.) ADDED ROOF VENT CALCULATIONS FOR ELEV. A AND B. (12-2-19)
- 3.) UPDATED CUTSHEETS FOR THE GARAGE RIGHT. (12-13-19)
- 4.) CHANGED FIREPLACE FROM STANDARD TO OPTIONAL. (5-1-20)
- 5.) REMOVE GLASS INSERTS FROM GARAGE WINDOWS AND REMOVE METAL ACCESSORIES. (5-1-20)
- 6.) UPDATED CUTSHEETS TO MEET H&H STANDARDS. (5-1-20)
- 7.) ADDED OPTIONAL GLASS INSERTS TO TOP WINDOWS ONLY TO GARAGE DOORS. (5-1-20)
- 8.) CHANGED THE CORNERBOARDS FROM 6" TO 4". (5-1-20)
- 9.) REMOVED OPTIONAL KITCHEN CAN AND REPLACED WITH FLUORESCENT LIGHT IN THE KITCHEN. (5-1-20)
- 10.) CHANGE LOCATION OF THE HOSE BIBBS. (5-1-20)
- 11.) ADDED OPTIONAL GAS LINE NOTE AT PATIO. (5-1-20)
- 12.) CHANGED REFRIGERATOR, WASHER, AND DRYER TO OPTIONAL COMPONENTS. (5-1-20)
- 13.) CHANGE COFFERED CEILING IN DINING TO OPTIONAL WITH DETAIL. (5-1-20)
- 14.) ADDED WEATHERING STRIPPING AT 20 X 40 SOLID DOOR. (5-1-20)
- 15.) ADDED NOTE TO REMOVE (1)-30 50 WINDOW FOR BEDROOM #5 OPTION. (5-1-20)
- 16.) REMOVED GRIDS FROM SIDE AND REAR WINDOWS. (5-1-20)
- 17.) CHANGED 30 50 WINDOW IN LOFT TO STANDARD. (5-1-20)
- 18.) UPDATED STONE HATCH ON ELEVATIONS. (5-1-20)
- 19.) REMOVED ALL TV OUTLETS, PHONE OUTLETS, AND ELECTRICAL OUTLETS EXCEPT FLOOR OUTLETS. (5-1-20)
- 20.) ADDED CO<sub>2</sub> DETECTORS PER LOCATE CODE. (5-1-20)
- 21.) CHANGED CEILING FANS TO OPTIONAL AND CHANGE THE LIGHTS TO PRE-WIRE. (5-1-20)
- 22.) ADDED CRICKETS TO FRONT ELEVATIONS. (5-1-20)
- 23.) UPDATED THE ELEVATION COACH LIGHTS TO MATCH THE ELECTRICAL PLANS. (5-1-20)
- 24.) CREATED ADDITIONAL SHEETS FOR FIRST FLOOR AND SECOND FLOOR OPTIONS (A4.1, A5.1, A6.1, A7.1, E.3, AND E-4) AND REMOVED OPTIONS FROM BASE SHEETS. (5-1-20)
- 25.) ADDED DIMENSION FOR WATER TABLE TO FINISH FLOOR ON ELEVATION. (5-1-20)
- 26.) ADDED INSULATION DETAIL TO FIRST AND SECOND FLOOR SHEETS. (5-1-20)
- 27.) ADDED OPTIONAL (3) RECESS LIGHTING AND SWITCHES IN FAMILY ROOM. (5-1-20)
- 28.) ADDED SHEET 7.0 FOR FLOOR PLAN EXTERIOR SURFACES LAYOUTS. (5-1-20)
- 28.) CREATED OWNERS BATH 2 AND OWNERS BATH 3. (5-1-20)
- 28.) ADDED SHOWER DETAIL FOR OPTIONAL OWNERS BATH 3. (5-1-20)
- 29.) UPDATED CUTSHEETS. (5-1-20)
- 30.) CHANGED OWNERS BATH #3 WINDOW FROM 20 20 WINDOW TO 20 40 TEMP. (5-1-20)
- 31.) ADDED PATIO W/ EXTENDED PATIO OPTION. (5-1-20)
- 32.) ADDED OPTIONAL BASEMENT PLAN. (5-1-20)
- 33.) ADDED CHANGES TO OPTIONS WHEN BASEMENT OPTION SELECTED. (5-1-20)
- 34.) REVISED SHUTTERS ON ELEVATIONS B TO BE B&B (5-1-20)
- 35.) REMOVED HARDWARE FROM SHUTTERS ON ELEVATION C (5-1-20)
- 36.) REMOVED LIGHT OVER KITCHEN SINK (7-8-20)
- 37.) REMOVED NOTE "KEYLESS" FROM GARAGE CHANGED TO STANDARD CEILING MOUNTED LIGHT (7-8-20)
- 38.) CHANGED STANDARD LIGHT IN KITCHEN FROM 2-BULB FLUORESCENT TO 3 BULB CEILING MOUNT (7-8-20)
- 39.) CHANGED SWING OF SERVICE DOOR IN GARAGE TO OUT SWING (SEE SHEET A6.1) (7-8-20)
- 40.) REMOVED LIGHT IN SECONDARY BATH OVER TUB/SHOWER COMBO (7-8-20)
- 41.) REMOVED "RECESSED ENTERTAINMENT BOX" OVER FIREPLACE (7-8-20)
- 42.) CHANGED WINDOW TO OWNER'S BATH 1 TO 40"x10" TRANSOM WINDOW (7-8-20)
- 43.) ADDED GABLE PEDIMENT DETAIL TO B ELEVATIONS



**FRONT ELEVATION - B**  
 SCALE: 1/4" = 1'-0"

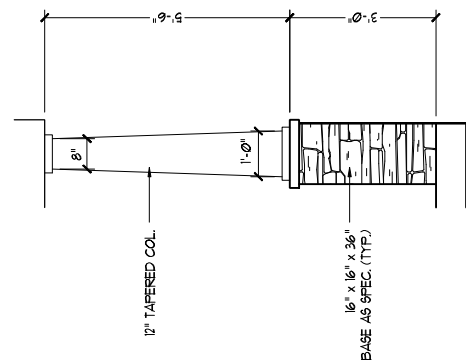


**DOUBLE GARAGE DOOR OPTION**  
 SCALE: 1/4" = 1'-0"



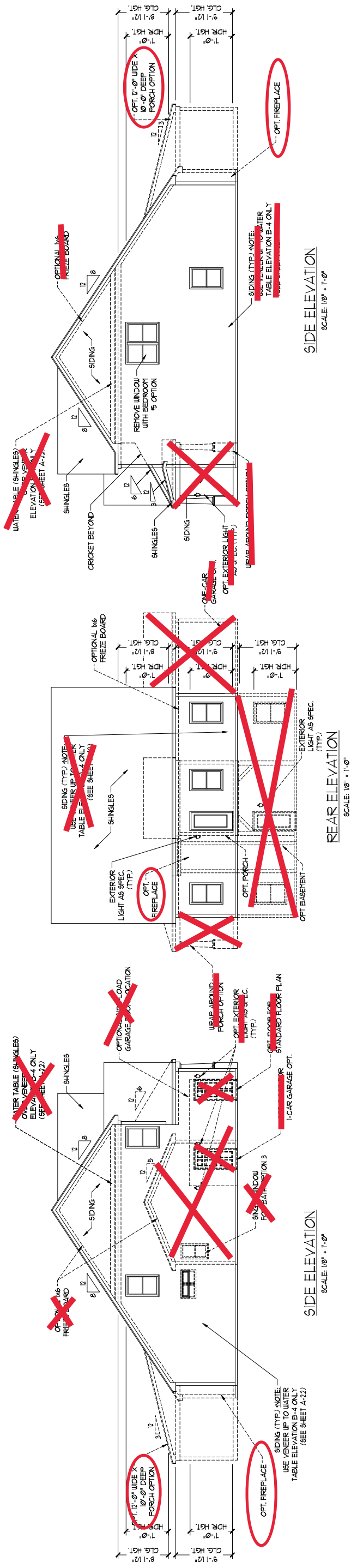
**SIDE LOAD GARAGE OPTION**  
 (NOT AVAILABLE WITH OPTIONAL ONE-CAR GARAGE)  
 SCALE: 1/4" = 1'-0"

**NOTE:**  
 SEE SHEET A-2.1 FOR BRICK FRONT ELEVATIONS  
 SEE SHEET A-2.2 FOR STONE FRONT ELEVATIONS  
 SEE SHEET A-2.3 (ALL BRICK) ELEVATIONS



**COLUMN DETAIL**

**FYPON GPF66X33 OR EQUAL GABLE PEDIMENT DETAIL**  
 SCALE: 1/4" = 1'-0"



**SIDE ELEVATION**  
 SCALE: 1/8" = 1'-0"

**REAR ELEVATION**  
 SCALE: 1/8" = 1'-0"

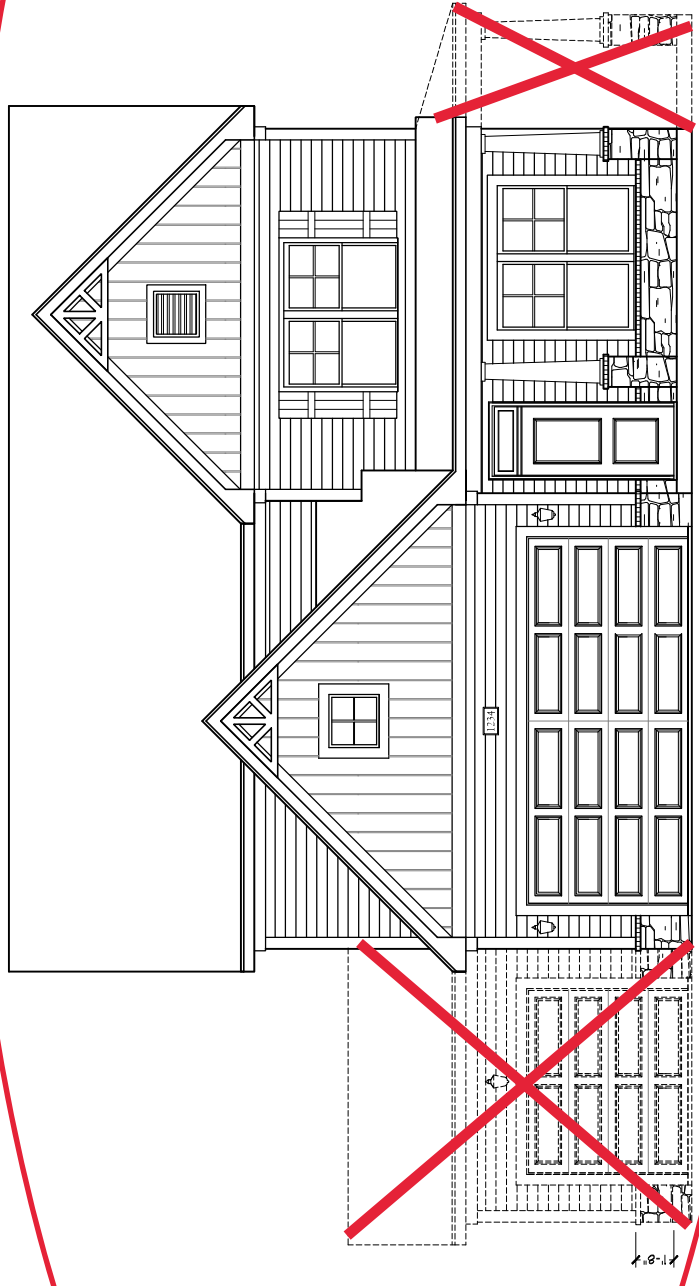
**J.S. THOMPSON  
ENGINEERING, INC.**  
 600 W. WILSON ST., SUITE 104  
 RALEIGH, NC 27605  
 PHONE: (919) 786-9919  
 FAX: (919) 786-9921  
 N.C. LICENSE NO.: 6113



PLEASE PROMOTIONS INCENTIVES, FEATURES,  
 MATERIALS AND DIMENSIONS ARE SUBJECT TO CHANGE  
 WITHOUT NOTICE. SQUARE FOOTAGE AND DIMENSIONS  
 ARE ESTIMATED AND MAY VARY IN ACTUAL  
 CONSTRUCTION. ACTUAL POSITION OF HOUSE ON LOT  
 WILL BE DETERMINED BY THE SITE PLAN AND PLOT PLAN.  
 FLOOR PLANS AND ELEVATION RENDERINGS ARE ARTIST  
 CONCEPTIONS. FLOOR PLANS ARE THE COPYRIGHTED  
 PROPERTY OF H&H HOMES. ANY USE, REPRODUCTION,  
 ADAPTATION OR DISPLAY OF THE PLANS IS STRICTLY  
 PROHIBITED. SEE NEW HOME SALES CONSULTANT FOR  
 CURRENT DETAILS. COPYRIGHT © 2019 H&H HOMES

**H&H HOMES, INC.**  
**JORDAN**

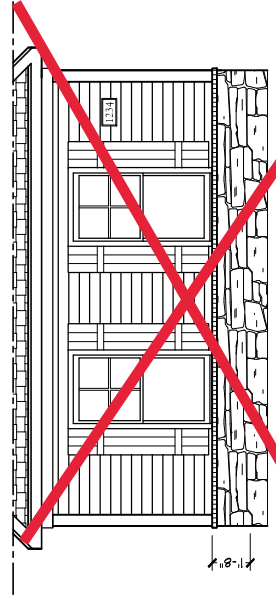
DATE: MARCH 15, 2019  
 REV.: MAY 01, 2020  
 SCALE: AS NOTED  
 DRAWN BY:  
 ENGINEERED BY:  
 REVIEWED BY:  
 B-2 & B-3  
 ELEVATIONS  
 WITH STONE  
**A-2.1**



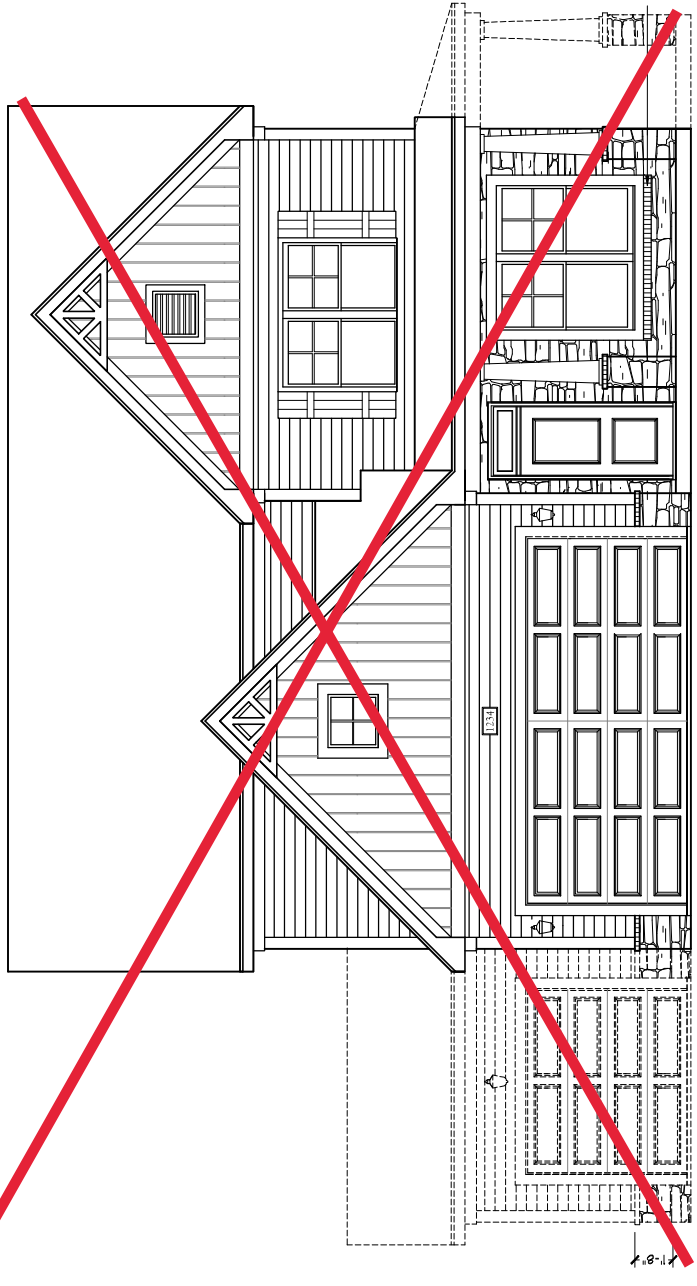
FRONT ELEVATION-B-2 (W/ STONE)  
 SCALE: 1/4" = 1'-0"



DOUBLE GARAGE  
 DOOR OPTION  
 SCALE: 1/4" = 1'-0"



SIDE LOAD  
 GARAGE OPTION  
 (NOT AVAILABLE WITH OPTIONAL ONE-CAR GARAGE)  
 SCALE: 1/4" = 1'-0"



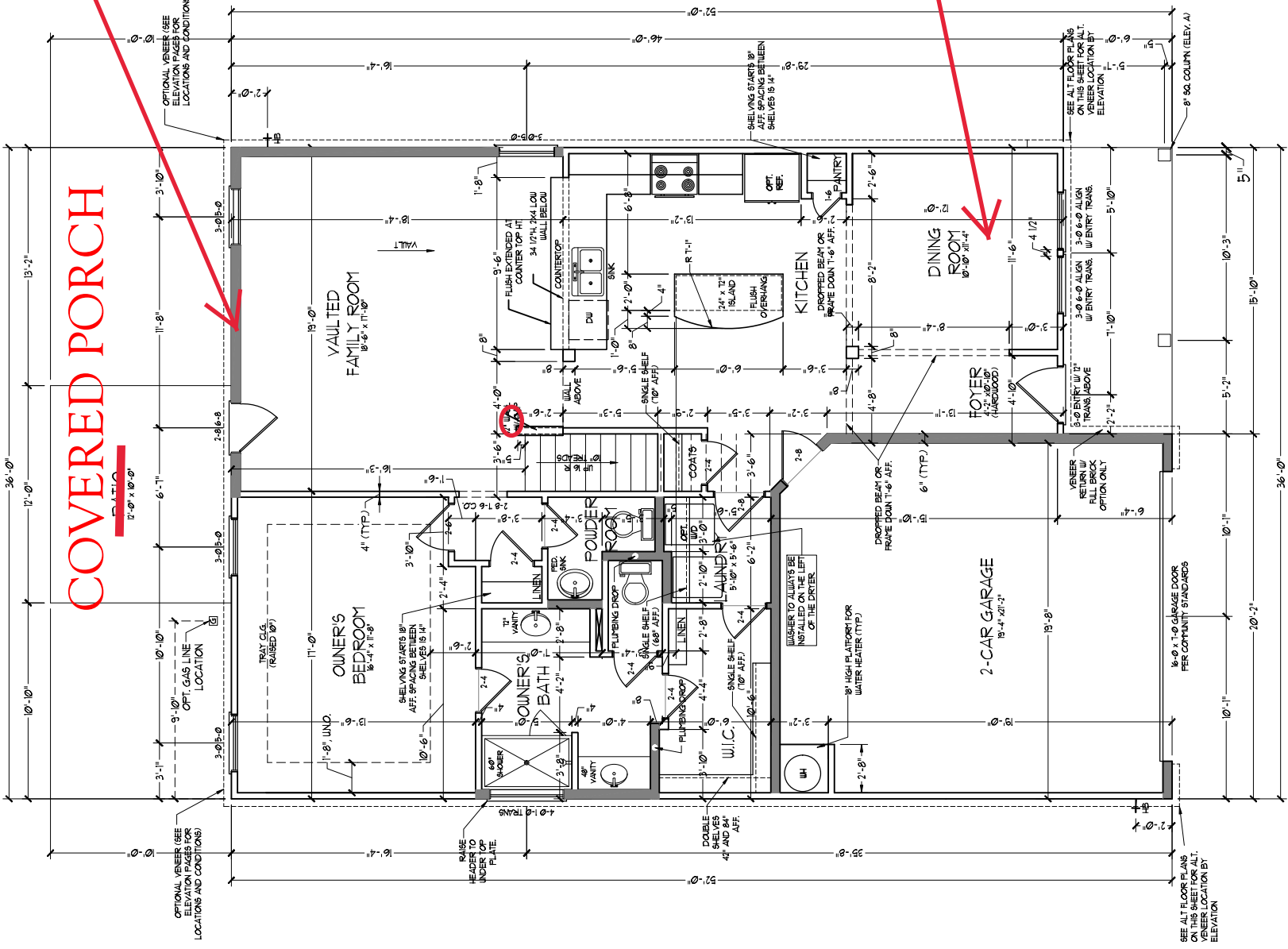
FRONT ELEVATION-B-3 (W/ STONE)  
 SCALE: 1/4" = 1'-0"

BRICK OR STONE  
 LEDGE AS SPEC.

**COVERED PORCH**

**FIREPLACE**

**COFFERED CEILING**



**FIRST FLOOR PLAN**  
(A-1, B-1, AND C-1)

SEE PARTIAL FLOOR PLANS OF SHEET A-1, B-1, AND C-1 FOR EXTERIOR VENER FOR ALL ELEVATIONS.

SEE ALL FLOOR PLANS ON THIS SHEET FOR ALL VENER LOCATIONS BY ELEVATION.

**SQUARE FOOTAGE**

1st FLOOR	181 9.0 FT.
2nd FLOOR	1871 5.0 FT.
TOTAL	2458 5.0 FT.
GARAGE	425 5.0 FT.
FRONT PORCH	35 5.0 FT.
STD. REAR PATIO	10 5.0 FT.
1st FLOOR OPTIONS	19 5.0 FT.
OPT. FIREPLACE	9 5.0 FT.
2nd FLOOR OPTIONS	9 5.0 FT.
OPT. UNDOU BOX AT BEDROOM 2	17 5.0 FT.
UNHEATED OPTIONS	17 5.0 FT.
OPT. BASEMENT	249 5.0 FT.
OPT. 1-CAR GARAGE	109 5.0 FT.
OPT. REAR COVERED PORCH	109 5.0 FT.
OPT. 12'-0" X 10'-0" PATIO	109 5.0 FT.

**SQUARE FOOTAGE (W/ FULL BRICK)**

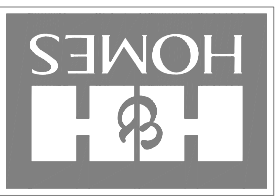
1st FLOOR	1405 9.0 FT.
2nd FLOOR	1094 5.0 FT.
TOTAL	2499 5.0 FT.
GARAGE	448 5.0 FT.
FRONT PORCH	35 5.0 FT.
STD. REAR PATIO	10 5.0 FT.
1st FLOOR OPTIONS	14 5.0 FT.
OPT. FIREPLACE	9 5.0 FT.
2nd FLOOR OPTIONS	9 5.0 FT.
UNDOU BOX AT BEDROOM 2 (ELEV. C ONLY)	17 5.0 FT.
UNHEATED OPTIONS	17 5.0 FT.
OPT. BASEMENT	259 5.0 FT.
OPT. 1-CAR GARAGE	109 5.0 FT.
OPT. REAR COVERED PORCH	109 5.0 FT.
OPT. 12'-0" X 10'-0" PATIO	109 5.0 FT.

**NOTE:** ALL EXTERIOR WALLS AND ATTIC WALLS ARE TO BE 7'-4" O.C. (MINO). ALL INTERIOR LOAD BEARING WALLS ARE TO BE 12" O.C. (MINO). ALL INTERIOR WALLS ARE TO BE 2'-4" X 8" O.C. (MINO).

**2x4 WALL**

- SHADED WALLS ARE TO BE 2' X 4' X 8" O.C. (LOAD BEARING) OR 2' X 4' X 12" O.C. (NON-LOAD BEARING) UNLESS OTHERWISE NOTED.
- EXTERIOR WALL CONDITION

**J.S. THOMPSON ENGINEERING, INC.**  
1000 W. HARRIS BLVD., SUITE 100  
RANDLEM, NC 27155  
PHONE: (919) 789-9919  
FAX: (919) 789-9921  
N.C. LICENSE NO. 61134



CONTRACTOR'S AND DIMENSIONS ARE SUBJECT TO CHANGE WITHOUT NOTICE. SQUARE FOOTAGE AND DIMENSIONS ARE ESTIMATED AND MAY VARY IN ACTUAL CONSTRUCTION. ACTUAL POSITION OF HOUSE ON LOT WILL BE DETERMINED BY THE SURVEYOR AND PLOTTING. FLOOR PLANS AND ELEVATIONS ARE THE PROPERTY OF H&H HOMES, INC. ANY REPRODUCTION, COPIES, PROMOTIONS, INCENTIVES, FEATURES OR ADAPTATION OF DISPLAY OF THE PLANS IS STRICTLY PROHIBITED. SEE NEW HOME SALES CONSULTANT FOR CURRENT DETAILS. COPYRIGHT © 2019 H&H HOMES

**H&H HOMES, INC.**  
**JORDAN**

DATE: MARCH 15, 2019  
REV.: MAY 01, 2020  
SCALE: 1/4"=1'-0"  
DRAWN BY:  
ENGINEERED BY:  
REVIEWED BY:

**FIRST FLOOR PLAN**  
**A-6**

**J.S. THOMPSON ENGINEERING, INC.**  
 600 W. WILSON AVENUE  
 WAKEFIELd, NC 27158  
 PHONE: (919) 789-9919  
 FAX: (919) 789-9921  
 N.C. LICENSE NO. 6113

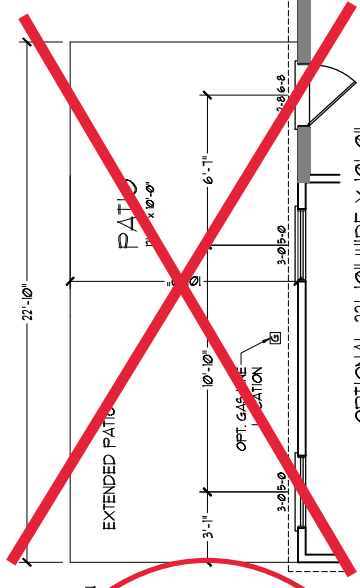


OPTIONAL FLOOR PLANS, ELEVATIONS, DESIGN MATERIALS AND DIMENSIONS ARE SUBJECT TO CHANGE WITHOUT NOTICE. SQUARE FOOTAGE AND DIMENSIONS ARE ESTIMATED AND MAY VARY IN ACTUAL CONSTRUCTION. ACTUAL POSITION OF HOUSE ON LOT WILL BE DETERMINED BY THE SITE PLAN AND FLOOR PLANS. FLOOR PLANS AND ELEVATION RENDERINGS ARE ARTIST CONCEPTIONS. FLOOR PLANS AND ELEVATION RENDERINGS ARE THE PROPERTY OF H&H HOMES. ANY USE, REPRODUCTION, ADAPTATION OR DISPLAY OF THE PLANS IS STRICTLY PROHIBITED. SEE NEW HOME SALES CONSULTANT FOR CURRENT DETAILS. COPYRIGHT © 2019 H&H HOMES

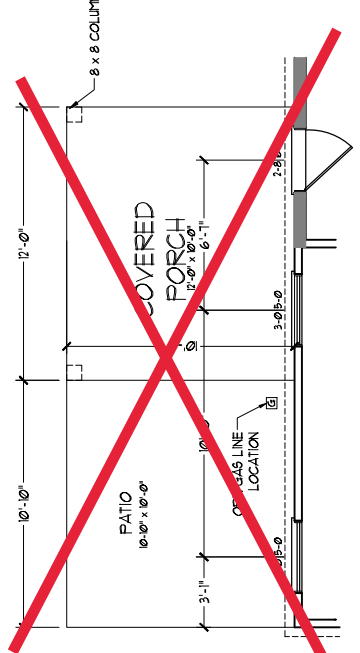
**H&H HOMES, INC.**  
 JORDAN

DATE: MARCH 15, 2019  
 REV.: MAY 01, 2020  
 SCALE: 1/4" = 1'-0"  
 DRAWN BY:  
 ENGINEERED BY:  
 REVIEWED BY:  
**FIRST FLOOR**  
**OPTIONS w/ OR**  
**w/o BASEMENT**

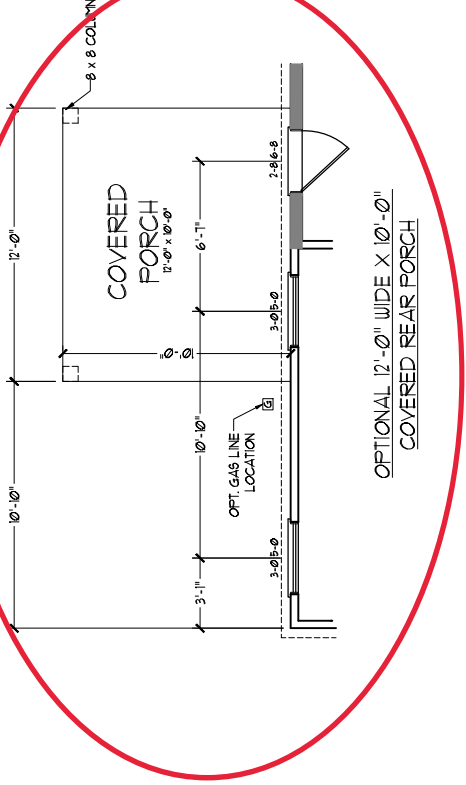
**A-6.1**



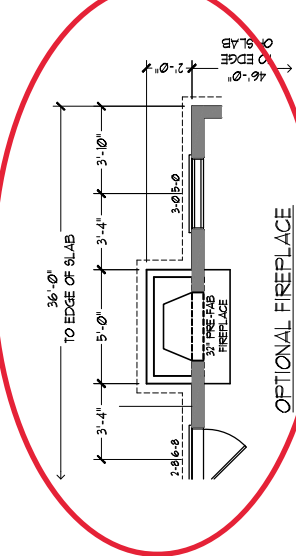
**OPTIONAL 22'-0" WIDE X 10'-0" EXTENDED PATIO**



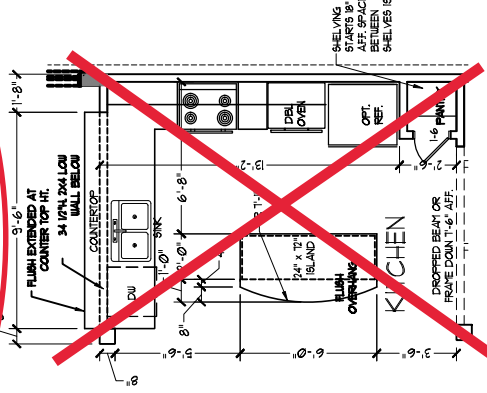
**OPTIONAL PATIO w/ COVERED PORCH**



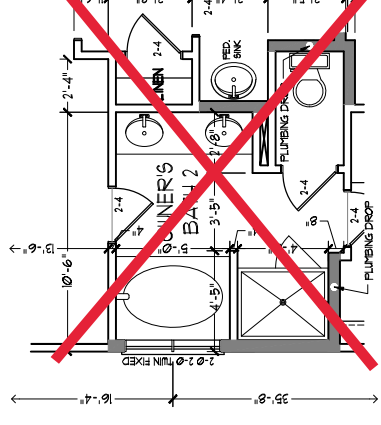
**OPTIONAL 12'-0" WIDE X 10'-0" COVERED REAR PORCH**



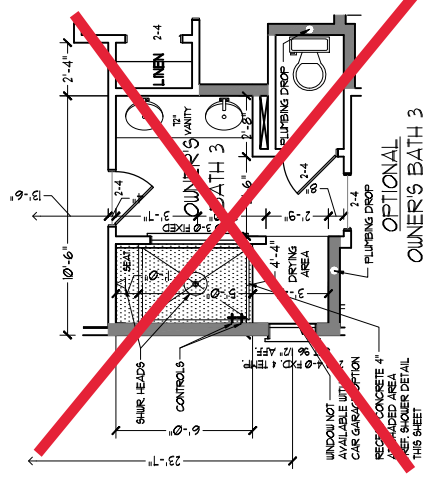
**OPTIONAL FIREPLACE**



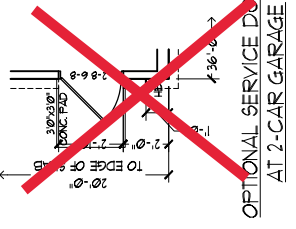
**OPTIONAL GOURMET KITCHEN**



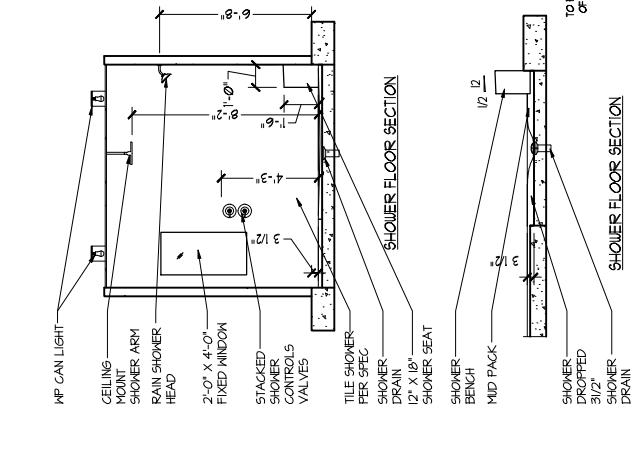
**OPTIONAL OWNER'S BATH 2**



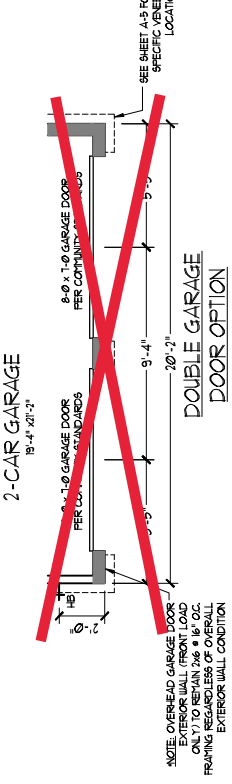
**OPTIONAL OWNER'S BATH 3**



**OPTIONAL SERVICE DOOR AT 2-CAR GARAGE**

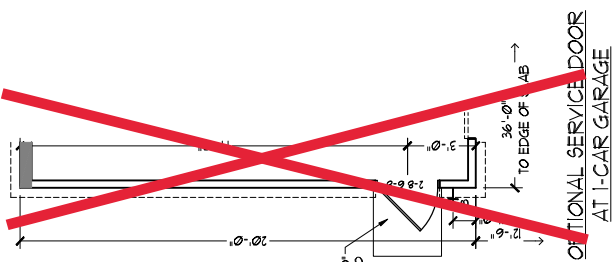


**SHOWER FLOOR SECTION**

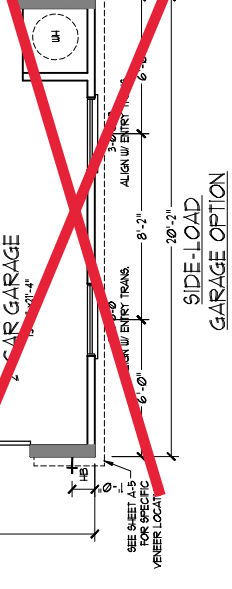


**2-CAR GARAGE**

**DOUBLE GARAGE DOOR OPTION**

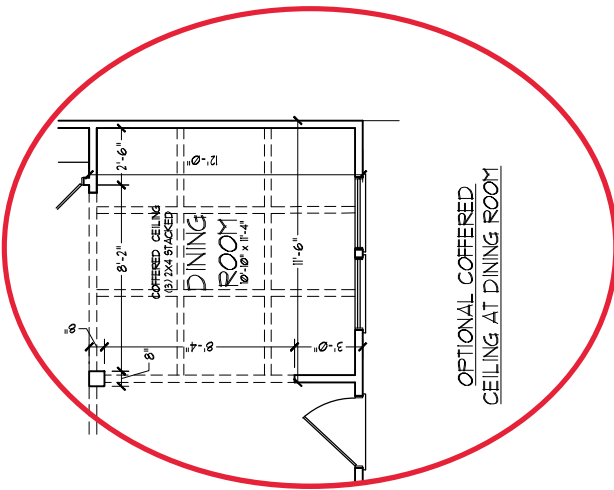


**OPTIONAL SERVICE DOOR AT 1-CAR GARAGE**



**SIDE-LOAD GARAGE OPTION**

(NOT AVAILABLE WITH OPTIONAL ONE-CAR GARAGE)



**OPTIONAL COFFERED CEILING AT DINING ROOM**

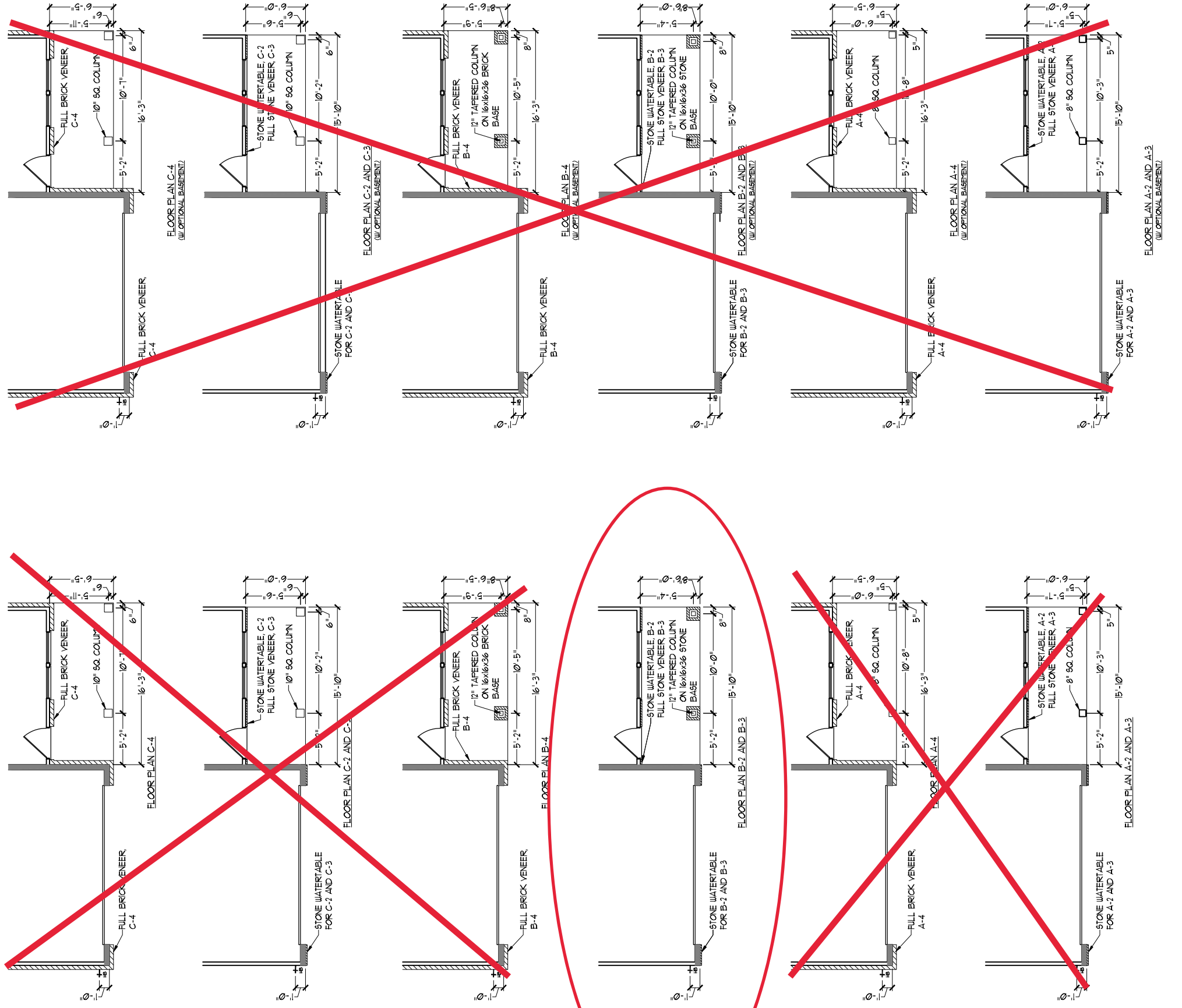
**J.S. THOMPSON ENGINEERING, INC.**  
 600 W. MARKET ST., SUITE 104  
 RALEIGH, NC 27605  
 PHONE: (919) 789-9919  
 FAX: (919) 789-9921  
 N.C. LICENSE NO.: 6113



PLEASE PROMOTE INCENTIVES, FEATURES, MATERIALS AND DIMENSIONS ARE SUBJECT TO CHANGE WITHOUT NOTICE. SQUARE FOOTAGE AND DIMENSIONS ARE ESTIMATED AND MAY VARY IN ACTUAL CONSTRUCTION. ACTUAL POSITION OF HOUSE ON LOT WILL BE DETERMINED BY THE SITE PLAN AND PLOT PLAN. FLOOR PLANS AND ELEVATIONS DRAWINGS ARE ARTIST CONCEPTIONS. FLOOR PLANS ARE THE COPYRIGHTED PROPERTY OF H&H HOMES. ANY USE, REPRODUCTION, PHOTOCOPYING, OR DISPLAY OF THE PLANS IS STRICTLY PROHIBITED. SEE NEW HOME SALES CONSULTANT FOR CURRENT DETAILS. COPYRIGHT © 2019 H&H HOMES

**H&H HOMES, INC.**  
**JORDAN**

DATE: MARCH 15, 2019  
 REV.: MAY 01, 2020  
 SCALE: 1/4"=1'-0"  
 DRAWN BY:  
 ENGINEERED BY:  
 REVIEWED BY:  
**FIRST FLOOR**  
**PARTIAL PLANS**  
**W/ & W/O**  
**BASEMENT**  
**A-6.3**



**J.S. THOMPSON ENGINEERING, INC.**  
 600 W. WILSON AVENUE, SUITE 104  
 WAKEFIELD, NC 27155  
 PHONE: (919) 789-9919  
 FAX: (919) 789-9921  
 N.C. LICENSE NO. 6113

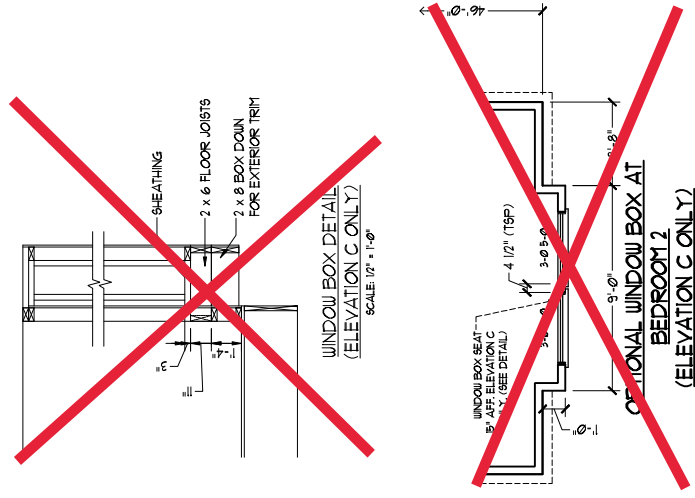
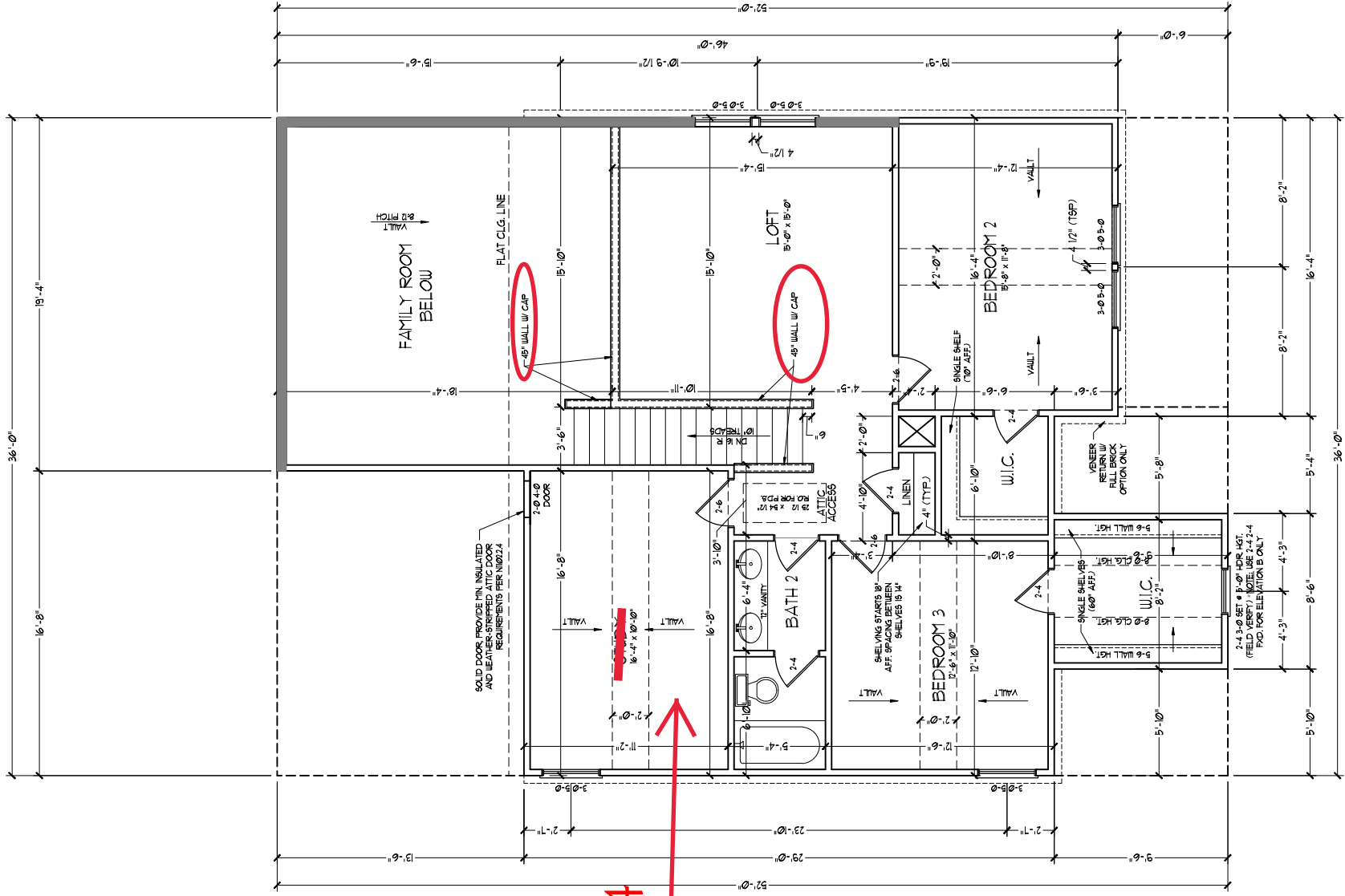


PLEASE PROMOTIONS INCENTIVES FEATURES  
 OPTIONS FLOOR PLANS ELEVATIONS  
 MATERIALS AND DIMENSIONS ARE SUBJECT TO CHANGE  
 WITHOUT NOTICE SQUARE FOOTAGE AND DIMENSIONS  
 ARE ESTIMATED AND MAY VARY IN ACTUAL  
 CONSTRUCTION. ACTUAL POSITION OF HOUSE ON LOT  
 SHALL BE DETERMINED BY THE ENGINEER AND ARCHITECT.  
 FLOOR PLANS AND ELEVATIONS DRAWINGS ARE ARTIST'S  
 CONCEPTIONS. FLOOR PLANS ARE THE COPYRIGHTED  
 PROPERTY OF H&H HOMES. ANY USE, REPRODUCTION,  
 ADAPTATION OR DISPLAY OF THE PLANS IS STRICTLY  
 PROHIBITED. SEE NEW HOME SALES CONSULTANT FOR  
 CURRENT DETAILS. COPYRIGHT © 2019 H&H HOMES

JORDAN  
 H&H HOMES, INC.

DATE: MARCH 15, 2019  
 REV.: MAY 01, 2020  
 SCALE: 1/4" = 1'-0"  
 DRAWN BY:  
 ENGINEERED BY:  
 REVIEWED BY:

SECOND FLOOR  
 PLAN  
 A-7



NOTE: ALL EXTERIOR WALLS AND ATTIC WALLS ARE TO BE 2 x 4 @ 16" O.C. (MIN). ALL INTERIOR LOAD BEARING WALLS ARE TO BE 2 x 6 @ 16" O.C. (MIN). ALL INTERIOR NON-LOAD BEARING WALLS ARE TO BE 2 x 4 @ 24" O.C. (MIN).

2x6 WALL

\* SHADOD WALLS ARE TO BE 2 x 6 @ 8" O.C. (LOAD BEARING) OR 2 x 6 @ 24" O.C. (NON-LOAD BEARING) REGARDLESS OF EXTERIOR WALL CONDITION

\* PROVIDE MINIMUM INSULATION IN CEILINGS AND WALLS PER SECTION N 1102.1

**J.S. THOMPSON  
ENGINEERING, INC.**  
600 W. MARKET ST., SUITE 104  
RALEIGH, NC 27605  
PHONE: (919) 789-9919  
FAX: (919) 789-9921  
N.C. LICENSE NO. 6173

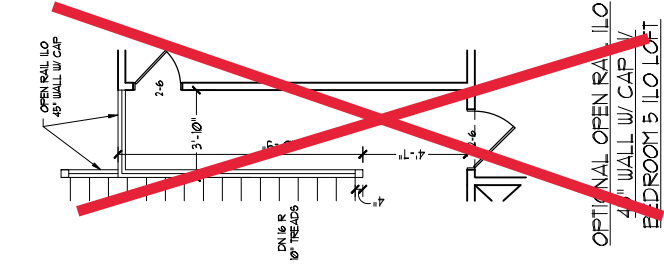


PLEASE PROMOTION INCENTIVES, FEATURES, MATERIALS AND DIMENSIONS ARE SUBJECT TO CHANGE WITHOUT NOTICE. SQUARE FOOTAGE AND DIMENSIONS ARE ESTIMATED AND MAY VARY IN ACTUAL CONSTRUCTION. ACTUAL POSITION OF HOUSE ON LOT WILL BE DETERMINED BY THE SITE PLAN AND PLOT PLAN. FLOOR PLANS AND ELEVATION RENDERINGS ARE ARTIST CONCEPTIONS. FLOOR PLANS ARE THE COPYRIGHTED PROPERTY OF H&H HOMES. ANY USE, REPRODUCTION, ADAPTATION, OR DISPLAY OF THE PLANS IS STRICTLY PROHIBITED. SEE NEW HOME SALES CONSULTANT FOR CURRENT DETAILS. COPYRIGHT © 2019 H&H HOMES

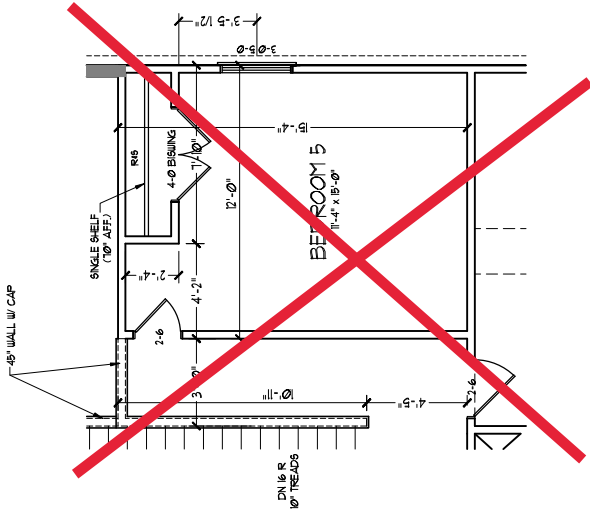
JORDAN  
H&H HOMES, INC.

DATE: MARCH 15, 2019  
REV.: MAY 01, 2020  
SCALE: 1/4"=1'-0"  
DRAWN BY:  
ENGINEERED BY:  
REVIEWED BY:

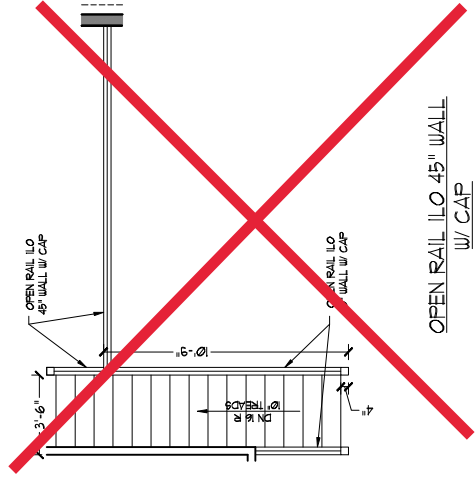
SECOND FLOOR  
OPTIONS  
A-7.1



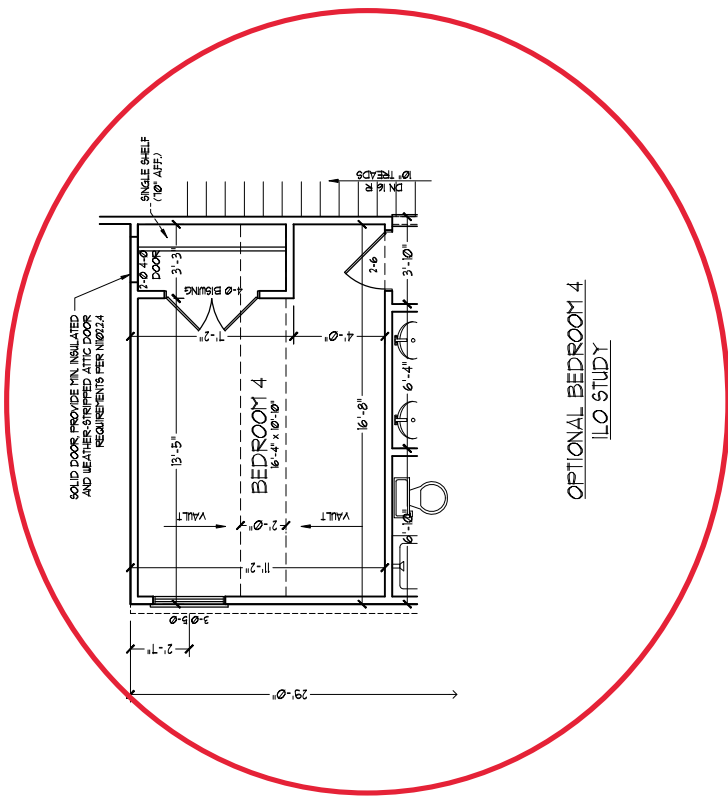
OPTIONAL OPEN RAIL ILO  
45° WALL W/ CAP  
BEDROOM 5 ILO LOFT



OPTIONAL BEDROOM 5  
ILO LOFT

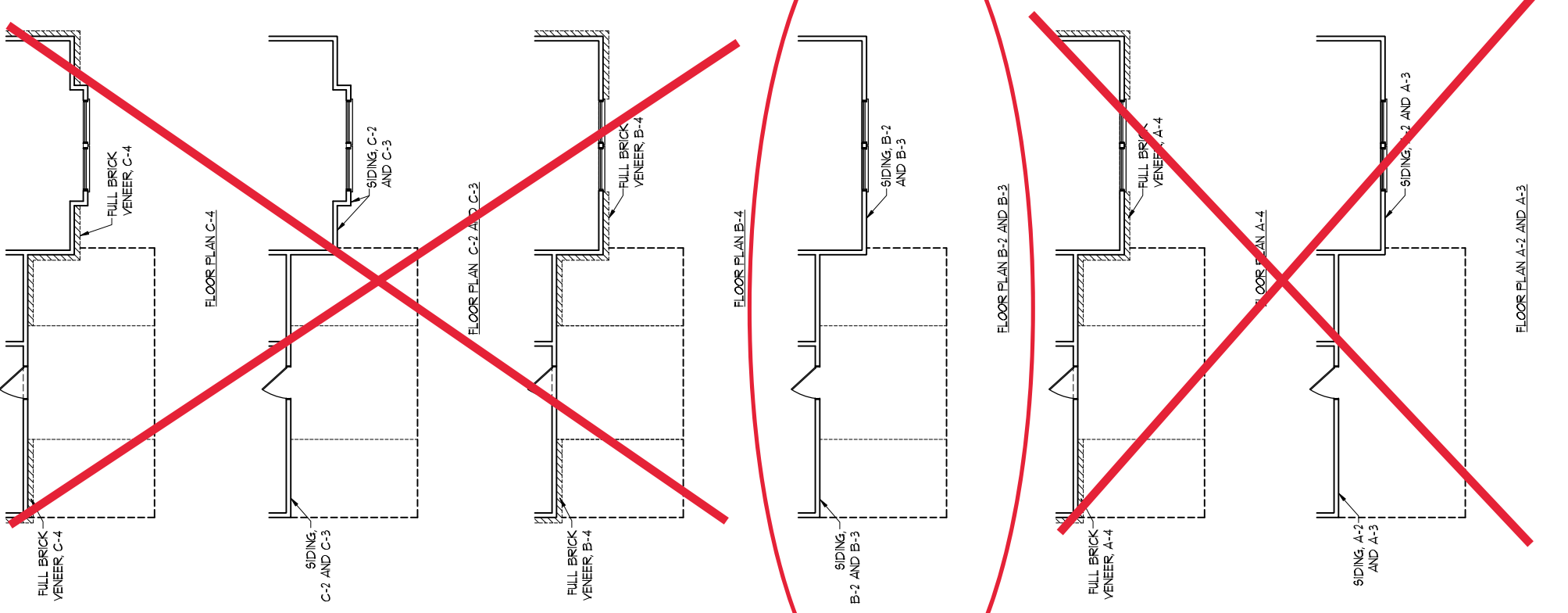
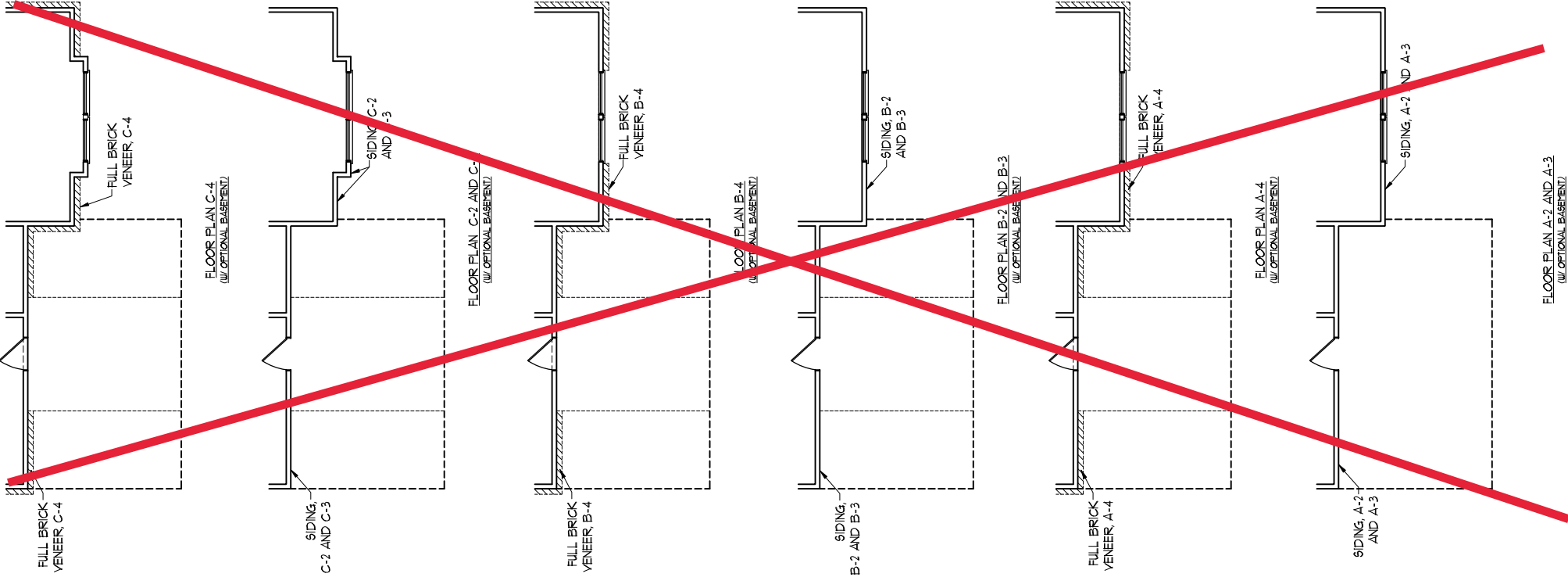


OPEN RAIL ILO 45° WALL  
W/ CAP



OPTIONAL BEDROOM 4  
ILO STUDY





JORDAN  
H&H HOMES, INC.

DATE: MARCH 15, 2019  
 REV.: MAY 01, 2020  
 SCALE: 1/4"=1'-0"  
 DRAWN BY:  
 ENGINEERED BY:  
 REVIEWED BY:

SECOND FLOOR  
 PARTIAL PLANS  
 A-7.2

**J.S. THOMPSON  
 ENGINEERING, INC.**  
 600 W. HARRIS ST., SUITE 104  
 RALEIGH, NC 27605  
 PHONE: (919) 789-9919  
 FAX: (919) 789-9921  
 N.C. LICENSE NO.: 6113



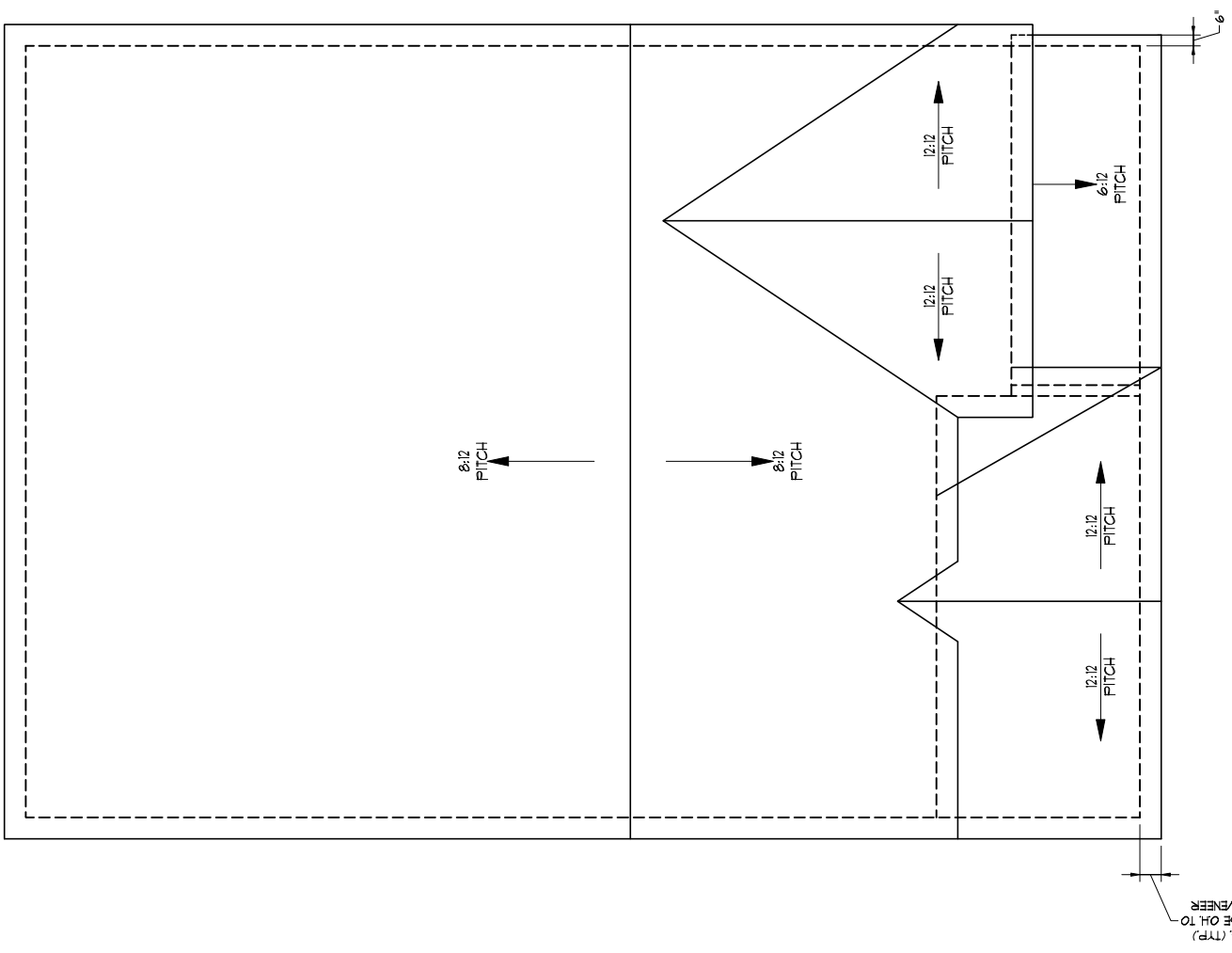
PRICES, PROMOTIONS, INCENTIVES, FEATURES,  
 MATERIALS AND DIMENSIONS ARE SUBJECT TO CHANGE  
 WITHOUT NOTICE. SQUARE FOOTAGE AND DIMENSIONS  
 ARE ESTIMATED AND MAY VARY IN ACTUAL  
 CONSTRUCTION. ACTUAL POSITION OF HOUSE ON LOT  
 WILL BE DETERMINED BY THE SITE PLAN AND PLOT PLAN.  
 FLOOR PLANS AND ELEVATIONS RENDERINGS ARE ARTIST  
 CONCEPTIONS. FLOOR PLANS ARE THE COPYRIGHTED  
 PROPERTY OF H&H HOMES. ANY USE, REPRODUCTION,  
 ADAPTATION OR DISPLAY OF THE PLANS IS STRICTLY  
 PROHIBITED. SEE NEW HOME SALES CONSULTANT FOR  
 CURRENT DETAILS. COPYRIGHT © 2019 H&H HOMES

PLEASE PROMOTIONS INCENTIVES FEATURES  
 OPTIONS FLOOR PLANS ELEVATIONS DIMENSIONS  
 WITHOUT NOTICE SQUARE FOOTAGE AND DIMENSIONS  
 ARE ESTIMATED AND MAY VARY IN ACTUAL  
 CONSTRUCTION. ACTUAL POSITION OF HOUSE ON LOT  
 WILL BE DETERMINED BY THE SITE PLAN AND PLOT PLAN.  
 FLOOR PLANS AND ELEVATION DIMENSIONS ARE ARTIST  
 CONCEPTIONS. FLOOR PLANS ARE THE COPYRIGHTED  
 PROPERTY OF H&H HOMES. ANY USE, REPRODUCTION  
 ADAPTATION OR DISPLAY OF THE PLANS IS STRICTLY  
 PROHIBITED. SEE NEW HOME SALES CONSULTANT FOR  
 CURRENT DETAILS. COPYRIGHT © 2019 H&H HOMES

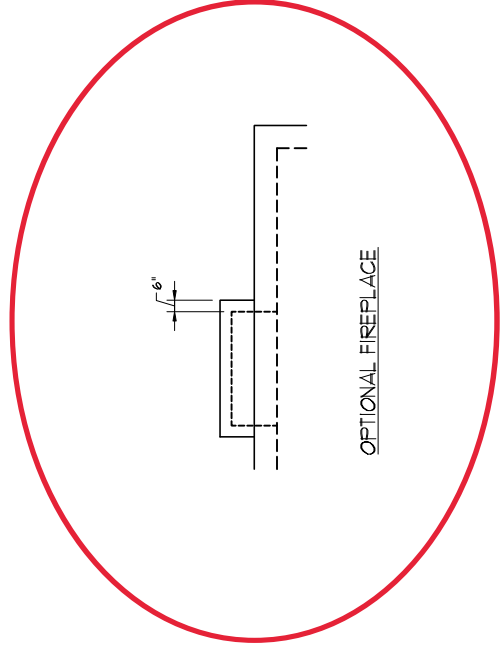
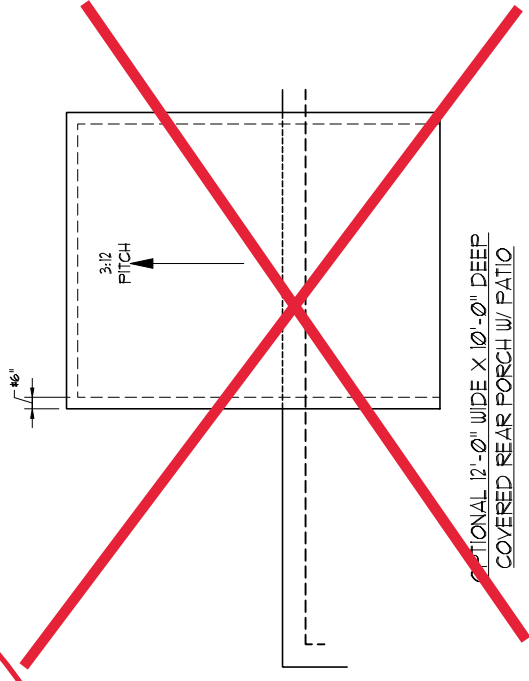
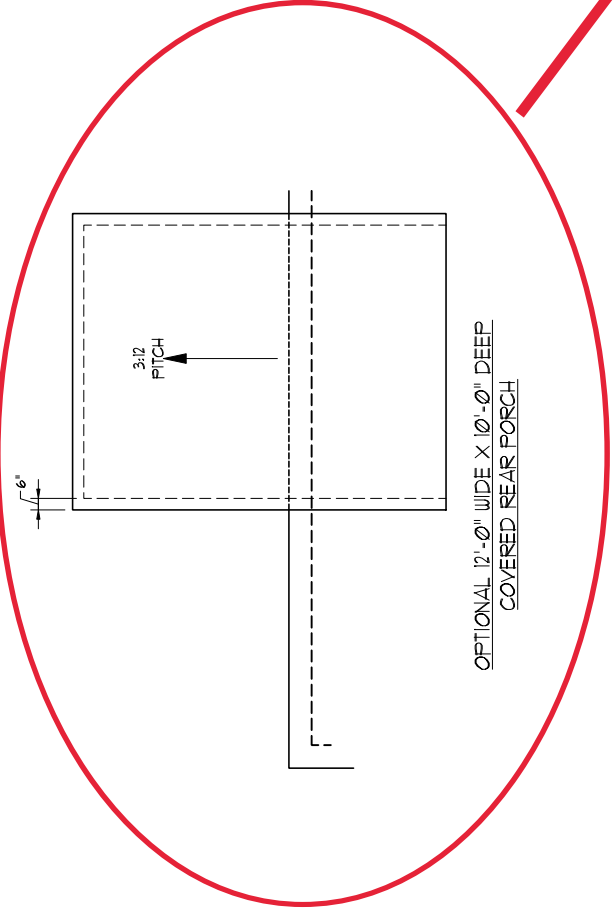


**J.S. THOMPSON  
 ENGINEERING, INC.**  
 600 W. WILSON ST. SUITE 104  
 RALEIGH, NC 27605  
 PHONE: (919) 786-9919  
 FAX: (919) 786-9921  
 N.C. LICENSE NO. C1134

TOTAL UNDER ROOF AREA:	1667	SQ. FT.
MINIMUM REQUIRED:	1500	SQ. FT.
TOTAL REQUIREMENTS:	1500	SQ. FT.
LOWER AREA VENTING:	104	SQ. FT.
UPPER AREA VENTING:	102	SQ. FT.
SOFFIT VENT:	42	SQ. FT.
LOWER AREA VENTING PROVIDED:	-	
UPPER AREA VENTING PROVIDED:	0	
SOFFIT AREA PROVIDED:	0	
TOTAL UNDER ROOF AREA:	1667	SQ. FT.



**ROOF PLAN  
 (A-I, B-I, AND C-I)**



JORDAN  
H&H HOMES, INC.

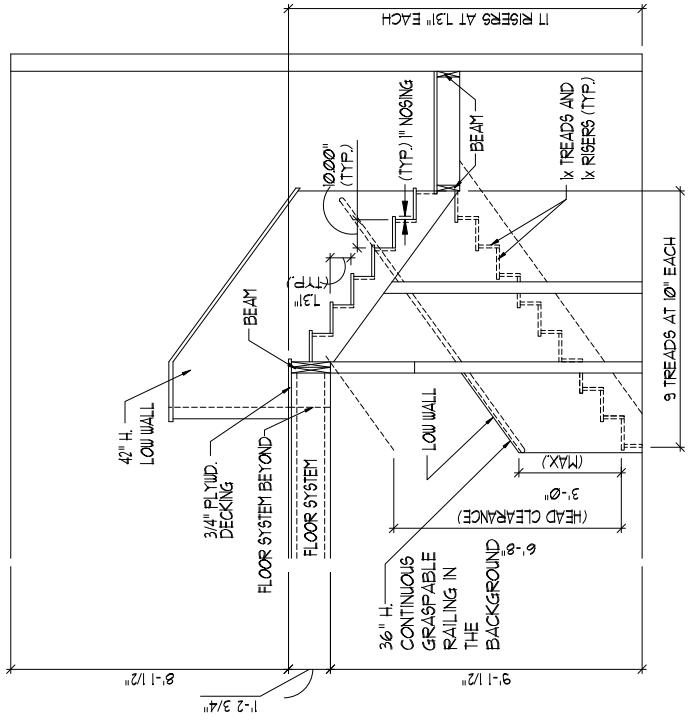
DATE: MARCH 15, 2019  
REV.: MAY 01, 2020  
SCALE: 1/4"=1'-0"  
DRAWN BY:  
ENGINEERED BY:  
REVIEWED BY:  
ROOF PLAN  
ELEVATION - A/B  
& C

A-8.2

**J.S. THOMPSON  
ENGINEERING, INC.**  
600 W. MARKET ST., SUITE 104  
RALEIGH, NC 27605  
PHONE: (919) 789-9919  
FAX: (919) 789-9921  
N.C. LICENSE NO.: 6173



PRICES, PROMOTIONS, INCENTIVES, FEATURES,  
OPTIONS, FLOOR PLANS, ELEVATIONS, DIMENSIONS  
AND DIMENSIONS ARE SUBJECT TO CHANGE  
WITHOUT NOTICE. SQUARE FOOTAGE AND DIMENSIONS  
ARE ESTIMATED AND MAY VARY IN ACTUAL  
CONSTRUCTION. ACTUAL POSITION OF HOUSE ON LOT  
WILL BE DETERMINED BY THE SITE PLAN AND PLOT PLAN.  
FLOOR PLANS AND ELEVATION RENDERINGS ARE ARTIST  
CONCEPTIONS. FLOOR PLANS ARE THE COPYRIGHTED  
PROPERTY OF H&H HOMES. ANY USE, REPRODUCTION,  
ADAPTATION, OR DISPLAY OF THE PLANS IS STRICTLY  
PROHIBITED. SEE NEW HOME SALES CONSULTANT FOR  
CURRENT DETAILS. COPYRIGHT © 2019 H&H HOMES



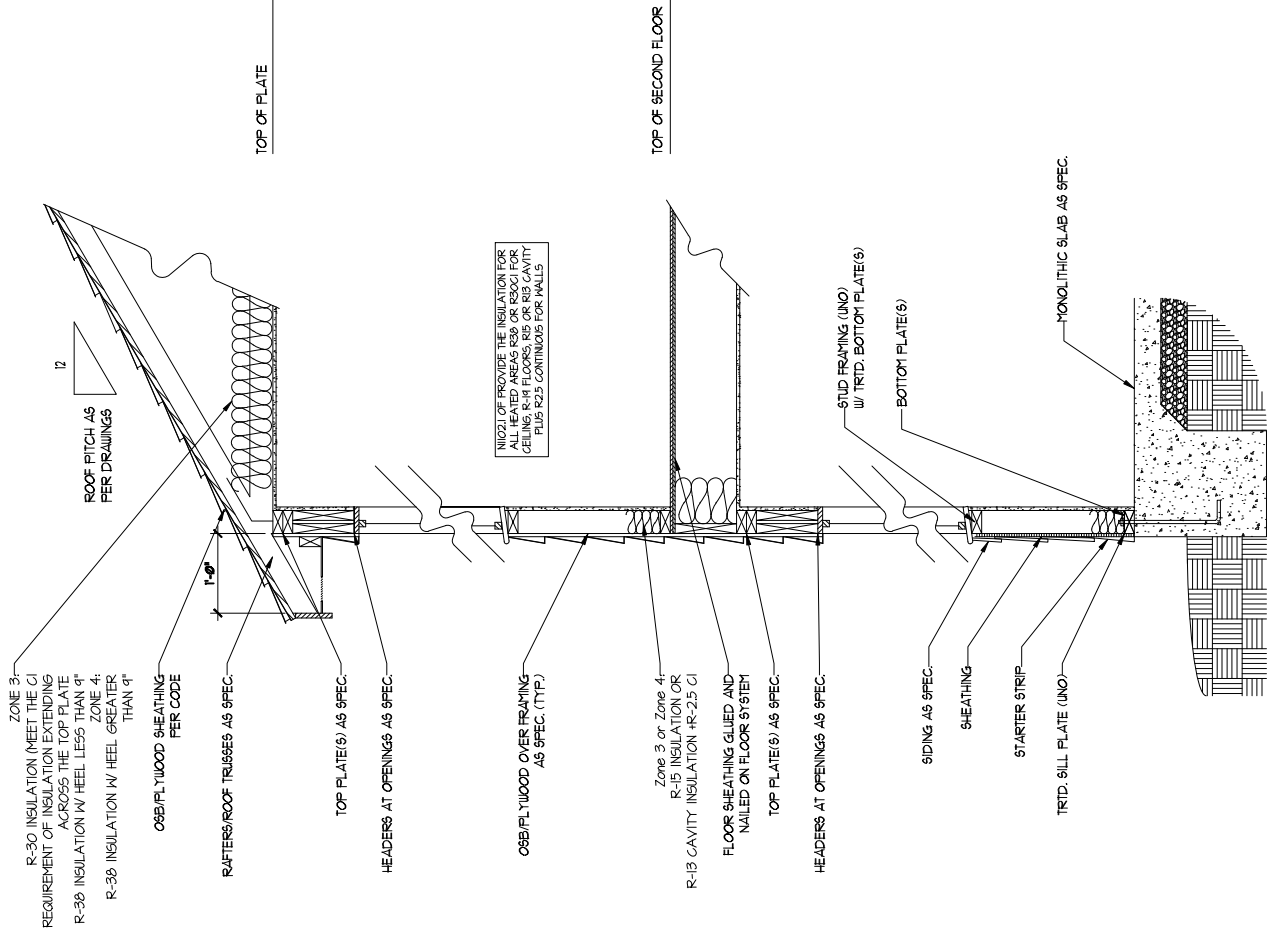
TYPICAL STAIR DETAIL  
(NTS)

STAIR NOTES:

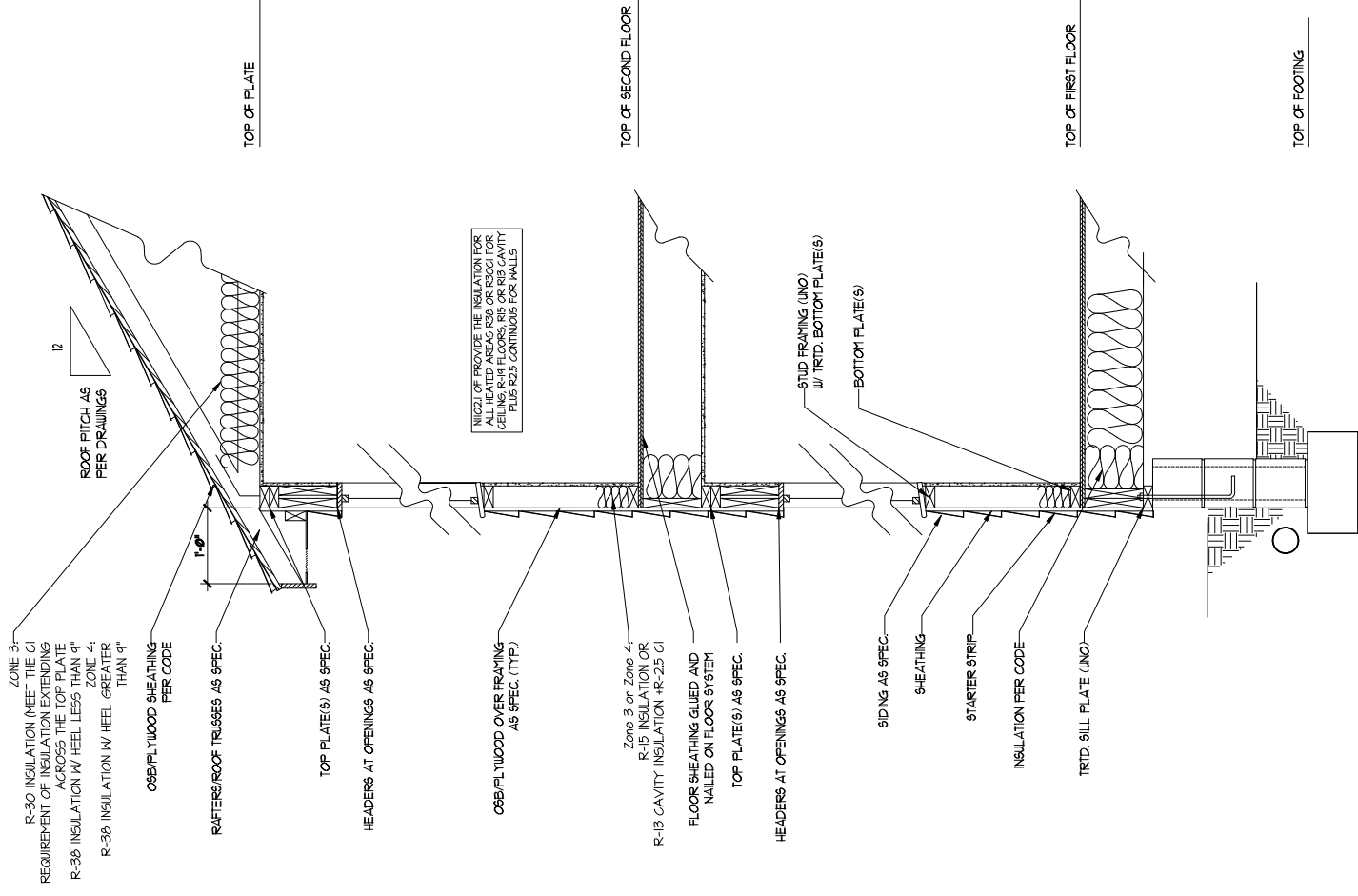
RAILING  
BALLUSTERS SHALL BE SPACED SO THAT A 4" SPHERE CANNOT PASS THROUGH.  
THE TRIANGULAR OPENINGS FORMED BY THE RISER, TREAD AND BOTTOM RAIL OF A GUARD AT THE OPEN SIDE OF A STAIRWAY SHALL BE LIMITED TO A SIZE THAT A SPHERE OF 6 INCHES CANNOT PASS THROUGH.

OPENINGS FOR REQUIRED GUARDS ON THE SIDES OF STAIR TREADS SHALL NOT ALLOW A SPHERE 4.38 INCHES TO PASS THROUGH.

HANDRAILS:  
HANDRAILS FOR STAIRWAYS SHALL BE CONTINUOUS FOR THE FULL LENGTH OF THE FLIGHT FROM A POINT DIRECTLY ABOVE THE TOP RISER OF THE FLIGHT TO A POINT DIRECTLY ABOVE THE LOWEST RISER. HANDRAIL ENDS SHALL BE RETURNED OR CAPED TO THE WALL OR BALUSTERS. HANDRAILS SHALL HAVE A SPACE OF NOT LESS THAN 1 1/2 INCH BETWEEN THE WALL AND HANDRAILS.  
CONTINUOUS GRASPABLE HANDRAIL MUST MEET THE ONE OR TWO CRITERIA.



WALL SECTION W/ SLAB  
W/ STD. SIDING SHOWN (NTS)



WALL SECTION W/ CRAWL SPACE  
W/ STD. SIDING SHOWN (NTS)

J.S. THOMPSON  
ENGINEERING, INC.  
600 W. WILSON AVENUE, SUITE 104  
RALEIGH, NC 27605  
PHONE: (919) 789-9919  
FAX: (919) 789-9921  
N.C. LICENSE NO. G1134



PRINTED PROMOTIONS INCENTIVES FEATURES  
MATERIALS AND DIMENSIONS ARE SUBJECT TO CHANGE  
WITHOUT NOTICE SQUARE FOOTAGE AND DIMENSIONS  
ARE ESTIMATED AND MAY VARY IN ACTUAL  
CONSTRUCTION. ACTUAL POSITION OF HOUSE ON LOT  
FLOOR PLANS AND ELEVATIONS SHALL BE RETURNED TO  
PROPERTY OF H&H HOMES. ANY USE, REPRODUCTION,  
ADAPTATION OR DISPLAY OF THE PLANS IS STRICTLY  
PROHIBITED. SEE NEW HOME SALES CONSULTANT FOR  
CURRENT DETAILS. COPYRIGHT © 2019 H&H HOMES

JORDAN  
H&H HOMES, INC.

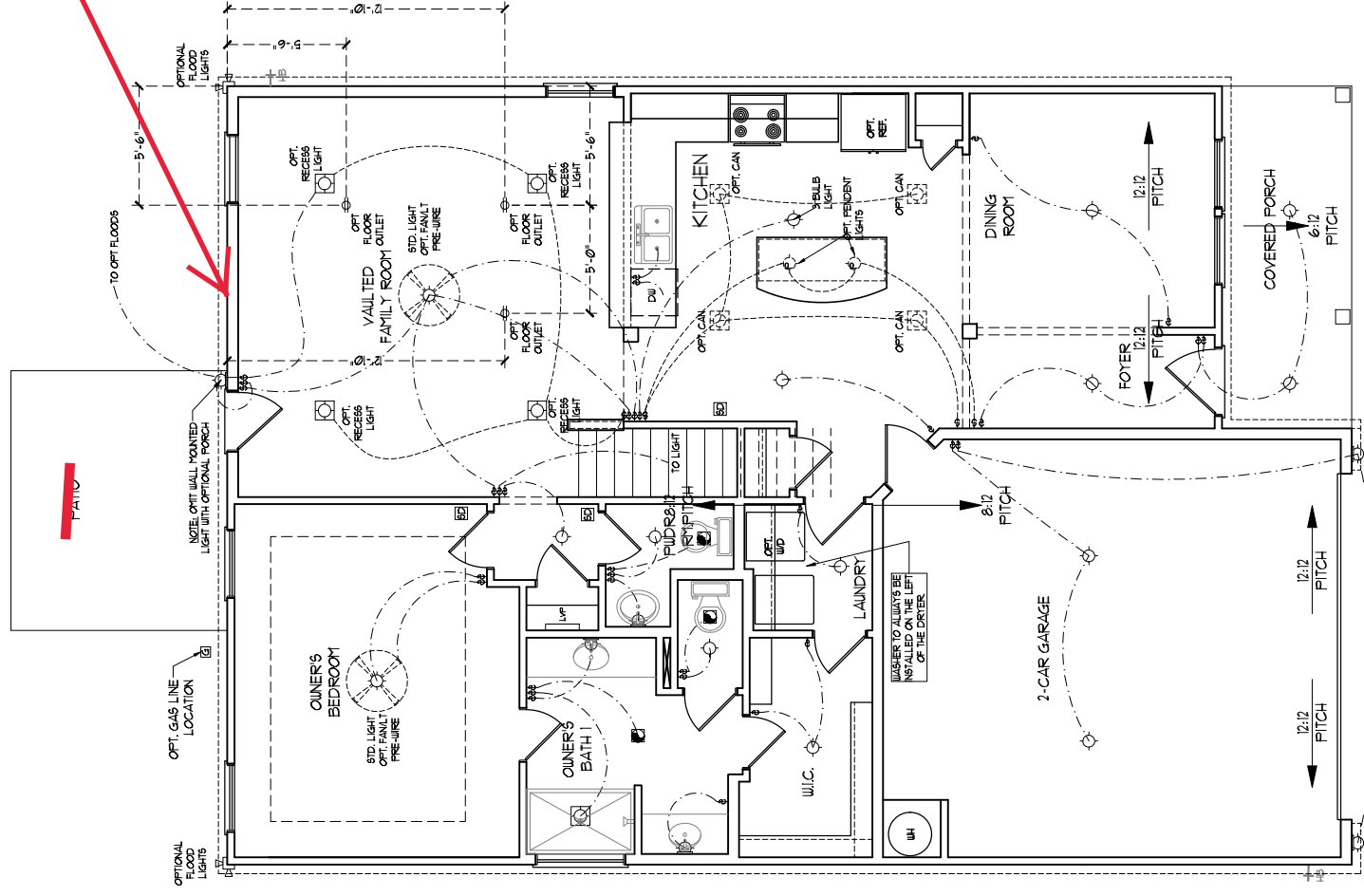
DATE: MARCH 15, 2019  
REV.: MAY 01, 2020  
SCALE: 1/4"=1'-0"  
DRAWN BY:  
ENGINEERED BY:  
REVIEWED BY:

WALL SECTIONS  
AND STAIR  
DETAIL

AD-1

**COVERED PORCH**

**FIREPLACE**



**FIRST FLOOR PLAN**  
(A-1, B-1, AND C-1)

**ELECTRICAL LAYOUT NOTES:**  
 1) BLOCK AND WIRE FOR ALL CEILING FAN PER PLAN.  
 2) VANITY LIGHTS TO BE SET @ 30" AFF. (TYP)  
 3) ADDITIONAL EXTERIOR OUTLETS REQUIRED BY CODE TO BE LOCATED BY ELECTRICIAN.  
 4) PLACE SWITCHES @ (TYP) FROM ROUGH OPENINGS.

ELECTRICAL LEGEND	
	10 V OUTLET
	WALL MOUNT LIGHT
	CEILING MOUNT LIGHT
	PENDANT LIGHT
	RECESSED CAN LIGHT
	MINI CAN LIGHT
	EYEBALL LIGHT
	FLUORESCENT LIGHT
	1 LAMP 4 FLUORESCENT LIGHT
	FLOOD LIGHT
	SWITCH
	3-WAY SWITCH
	4-WAY SWITCH
	DINNER SWITCH
	CONDUIT FOR COMPONENT WIRING
	BREAKER
	DOORBELL CHIME
	10 V SMOKE DETECTOR
	CO DETECTOR
	EXHAUST FAN
	100 V VOLTAGE PANEL
	LVP
	CEILING FAN
	CEILING FAN w/ LIGHT

**J.S. THOMPSON ENGINEERING, INC.**  
 600 W. MARKET ST. SUITE 104  
 FAYETTEVILLE, NC 27405  
 PHONE: (919) 789-9919  
 FAX: (919) 789-9921  
 N.C. LICENSE NO. 61134



PRICE, PROMOTIONS, INCENTIVES, FEATURES, MATERIALS AND DIMENSIONS ARE SUBJECT TO CHANGE WITHOUT NOTICE. SQUARE FOOTAGE AND DIMENSIONS ARE ESTIMATED AND MAY VARY IN ACTUAL CONSTRUCTION. ACTUAL POSITION OF HOUSE ON LOT WILL BE DETERMINED BY THE SITE PLAN AND PLOT PLAN. FLOOR PLANS AND ELEVATION DRAWINGS ARE ARTIST CONCEPTIONS. FLOOR PLANS ARE THE COPYRIGHTED PROPERTY OF H&H HOMES. ANY USE, REPRODUCTION, ADAPTATION, OR DISPLAY OF THE PLANS IS STRICTLY PROHIBITED. SEE NEW HOME SALES CONSULTANT FOR CURRENT DETAILS. COPYRIGHT © 2019 H&H HOMES

**H&H HOMES, INC.**  
 JORDAN

DATE: MARCH 15, 2019  
 REV.: MAY 01, 2020  
 SCALE: 1/4"=1'-0"  
 DRAWN BY:  
 ENGINEERED BY:  
 REVIEWED BY:  
**FIRST FLOOR ELECTRICAL PLAN**  
**E-1**

**ELECTRICAL LAYOUT NOTES:**  
 1) BLOCK AND WIRE FOR ALL CEILING FANS PER PLAN.  
 2) VANITY LIGHTS TO BE SET @ 30" AFE (TYP).  
 3) ADDITIONAL EXTERIOR OUTLETS REQUIRED BY CODE TO BE LOCATED BY ELECTRICAL.  
 4) PLACE SWITCHES 8" MIN FROM ROUGH OPENINGS.

ELECTRICAL LEGEND	
	100 V OUTLET
	BALL MOUNT LIGHT
	CEILING MOUNT LIGHT
	PENDANT LIGHT
	RECESSED CAN LIGHT
	MIN CAN LIGHT
	EYEBALL LIGHT
	FLUORESCENT LIGHT
	2 LAMP, 4 FLUORESCENT LIGHT
	FLOOD LIGHT
	SWITCH
	3-WAY SWITCH
	4-WAY SWITCH
	DINER SWITCH
	CONDUIT FOR COMPONENT WIRING
	BREAKER
	DOORBELL CHIME
	100 V SMOKE DETECTOR
	CO DETECTOR
	EXHAUST FAN
	LOU VOLTAGE PANEL
	LVP
	CEILING FAN
	CEILING FAN W/ LIGHT

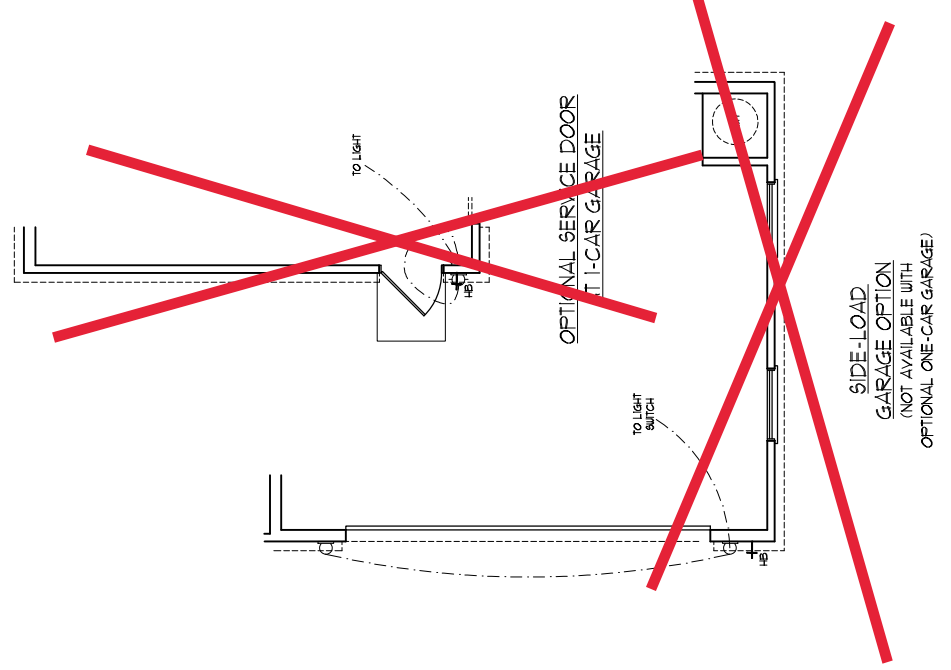
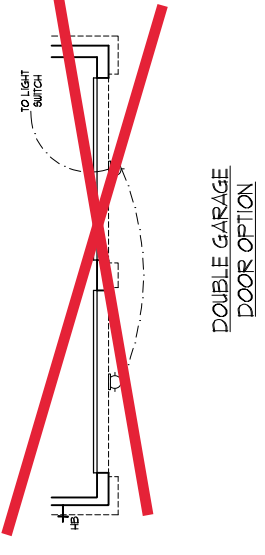
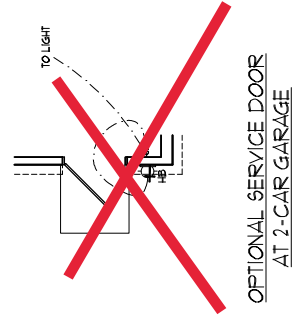
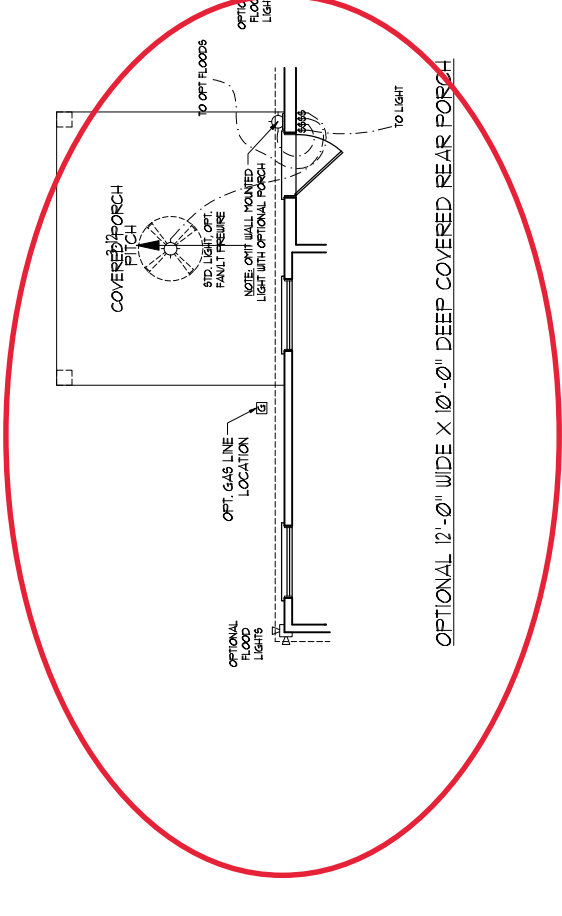
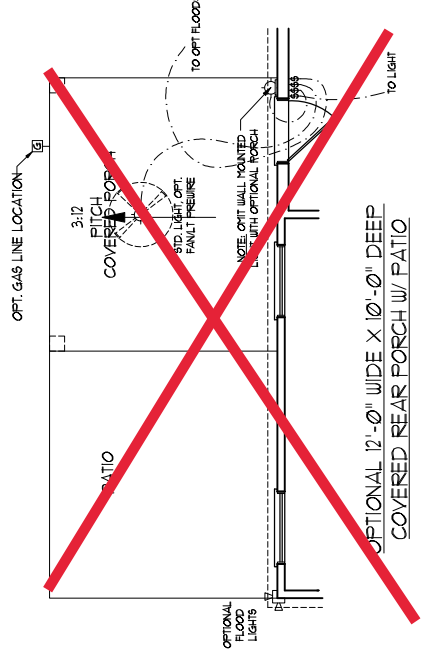
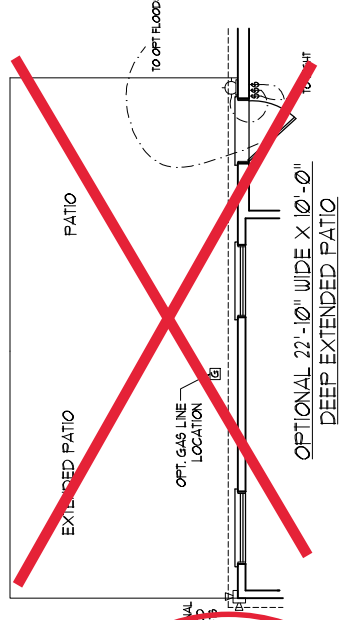
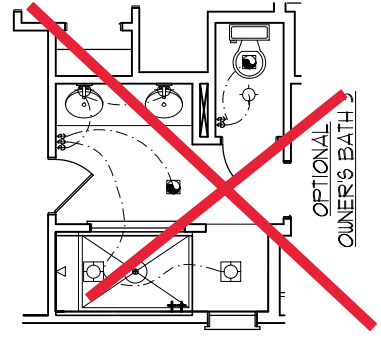
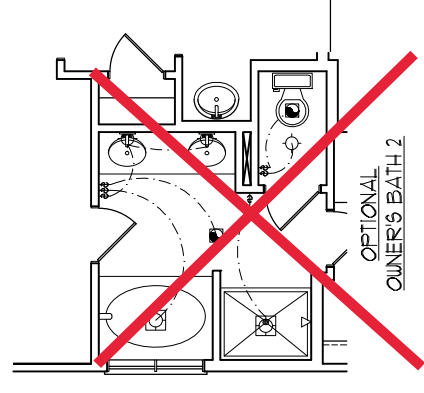
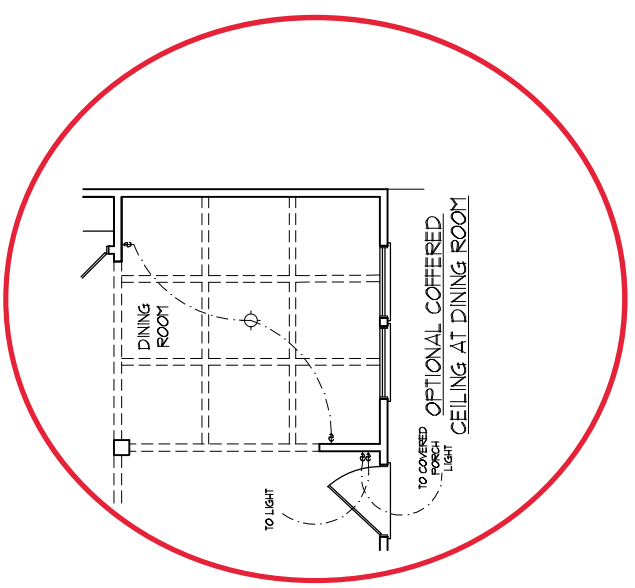
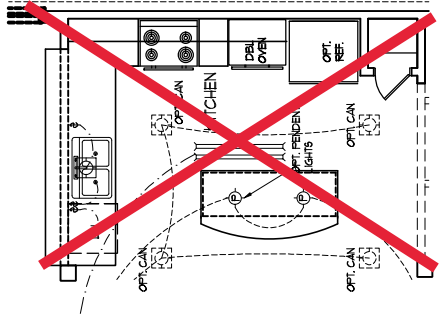
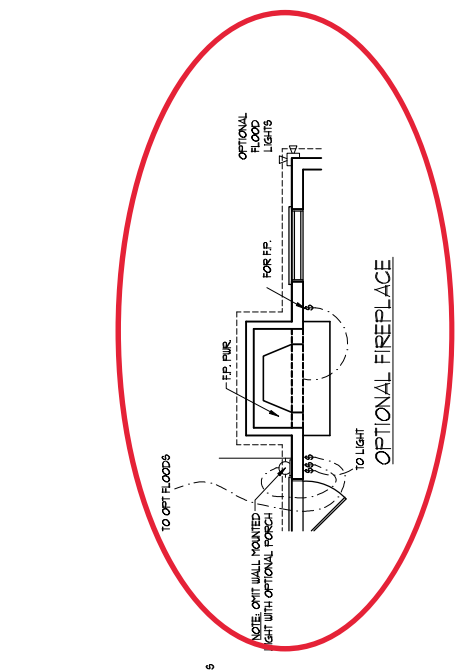


**J.S. THOMPSON ENGINEERING, INC.**  
 600 W. HARRIS AVE., SUITE 104  
 RALEIGH, NC 27605  
 PHONE: (919) 789-9919  
 FAX: (919) 789-9921  
 N.C. LICENSE NO. 61134

CONTRACTOR SHALL VERIFY ALL MATERIALS AND DIMENSIONS ARE SUBJECT TO CHANGE WITHOUT NOTICE. SQUARE FOOTAGE AND DIMENSIONS ARE ESTIMATED AND MAY VARY IN ACTUAL CONSTRUCTION. ACTUAL POSITION OF HOUSE ON LOT WILL BE DETERMINED BY THE SURVEYOR'S AND PLANNING DEPARTMENT. FLOOR PLANS AND ELEVATION RENDERINGS ARE ARTIST CONCEPTIONS. FLOOR PLANS ARE THE COPYRIGHTED PROPERTY OF H&H HOMES. ANY USE, REPRODUCTION, ADAPTATION, OR DISPLAY OF THE PLANS IS STRICTLY PROHIBITED. SEE NEW HOME SALES CONSULTANT FOR CURRENT DETAILS. COPYRIGHT © 2019 H&H HOMES

**H&H HOMES, INC.**  
 JORDAN

DATE: MARCH 15, 2019  
 REV.: MAY 01, 2020  
 SCALE: 1/4"=1'-0"  
 DRAWN BY:  
 ENGINEERED BY:  
 REVIEWED BY:  
**FIRST FLOOR ELECTRICAL OPTIONS**  
**E-1.1**



**J.S. THOMPSON ENGINEERING, INC.**  
 600 W. WILSON ST. SUITE 104  
 FAYETTEVILLE, NC 27405  
 PHONE: (919) 789-9919  
 FAX: (919) 789-9921  
 N.C. LICENSE NO. 61134



PRICE, PROMOTIONS INCENTIVES, FEATURES, MATERIALS AND DIMENSIONS ARE SUBJECT TO CHANGE WITHOUT NOTICE. SQUARE FOOTAGE AND DIMENSIONS ARE ESTIMATED AND MAY VARY IN ACTUAL CONSTRUCTION. ACTUAL POSITION OF HOUSE ON LOT WILL BE DETERMINED BY THE SITE PLAN AND PLOT PLAN. FLOOR PLANS AND ELEVATION DRAWINGS ARE ARTIST CONCEPTIONS. FLOOR PLANS ARE THE COPYRIGHTED PROPERTY OF H&H HOMES. ANY USE, REPRODUCTION, ADAPTATION OR DISPLAY OF THE PLANS IS STRICTLY PROHIBITED. SEE NEW HOME SALES CONSULTANT FOR CURRENT DETAILS. COPYRIGHT © 2019 H&H HOMES

**H&H HOMES, INC.**  
**JORDAN**

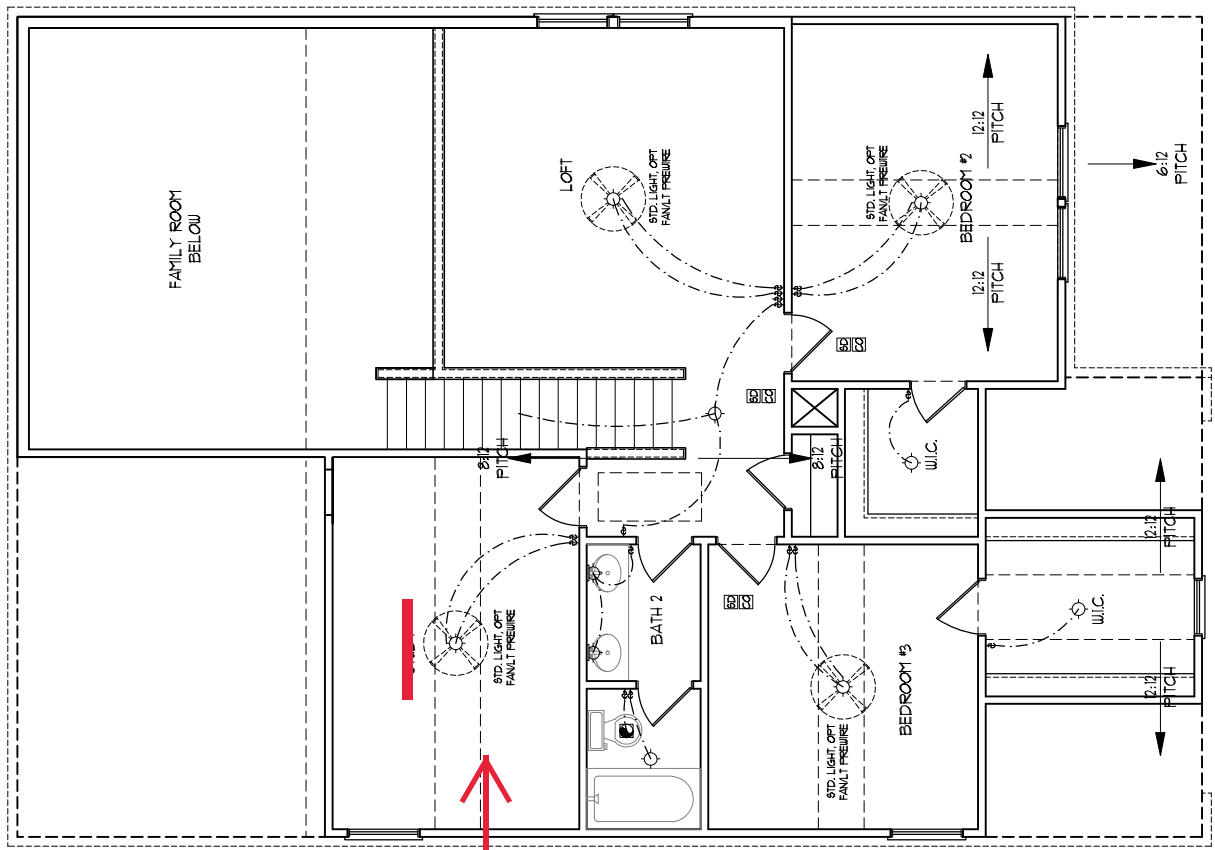
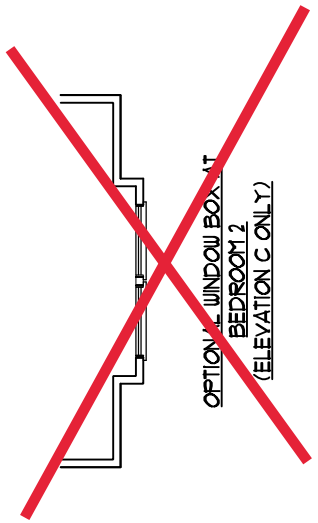
DATE: MARCH 15, 2019  
 REV.: MAY 01, 2020  
 SCALE: 1/4"=1'-0"  
 DRAWN BY:  
 ENGINEERED BY:  
 REVIEWED BY:

**SECOND FLOOR ELECTRICAL PLAN**

**E-2**

**ELECTRICAL LAYOUT NOTES:**  
 1/ BLOCK AND WIRE FOR ALL CEILING FANS PER PLAN & 30" AFF. (HTY)  
 2/ VANITY LIGHTS TO BE SET 4" AFF. (HTY)  
 3/ ADDITIONAL EXTERIOR OUTLETS REQUIRED BY CODE TO BE LOCATED BY ELECTRICIAN.  
 4/ PLACE SWITCHES 8" MIN FROM ROUGH OPENINGS.

ELECTRICAL LEGEND	
	10 V OUTLET
	BALL MOUNT LIGHT
	CEILING MOUNT LIGHT
	PENDANT LIGHT
	RECESSED CAN LIGHT
	MINI CAN LIGHT
	EYEBALL LIGHT
	FLUORESCENT LIGHT
	7 LAMP 4 FLUORESCENT LIGHT
	FLOOD LIGHT
	SWITCH
	3-WAY SWITCH
	4-WAY SWITCH
	DIMMER SWITCH
	CONDUIT RUN
	SPEAKER
	DOORBELL CHIME
	10 V SMOKE DETECTOR
	CO DETECTOR
	EXHAUST FAN
	LOU VOLTAGE PANEL
	CEILING FAN
	CEILING FAN W/ LIGHT



**BEDROOM 4**



**SECOND FLOOR PLAN**  
 (A-I, B-1, AND C-1)

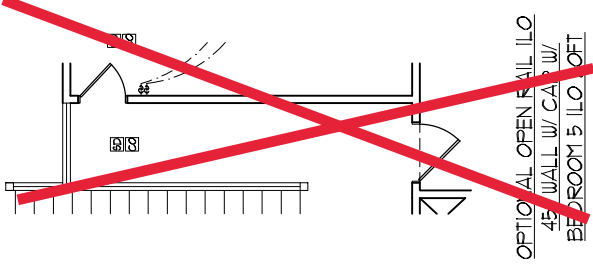
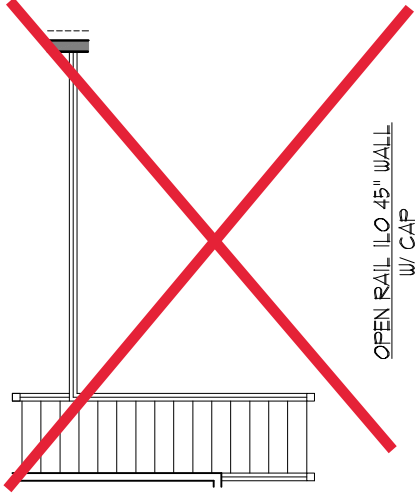
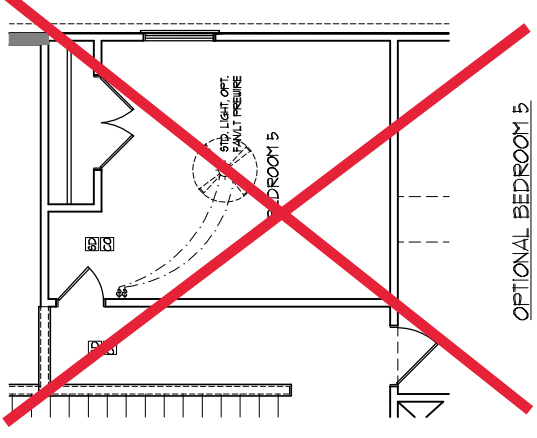
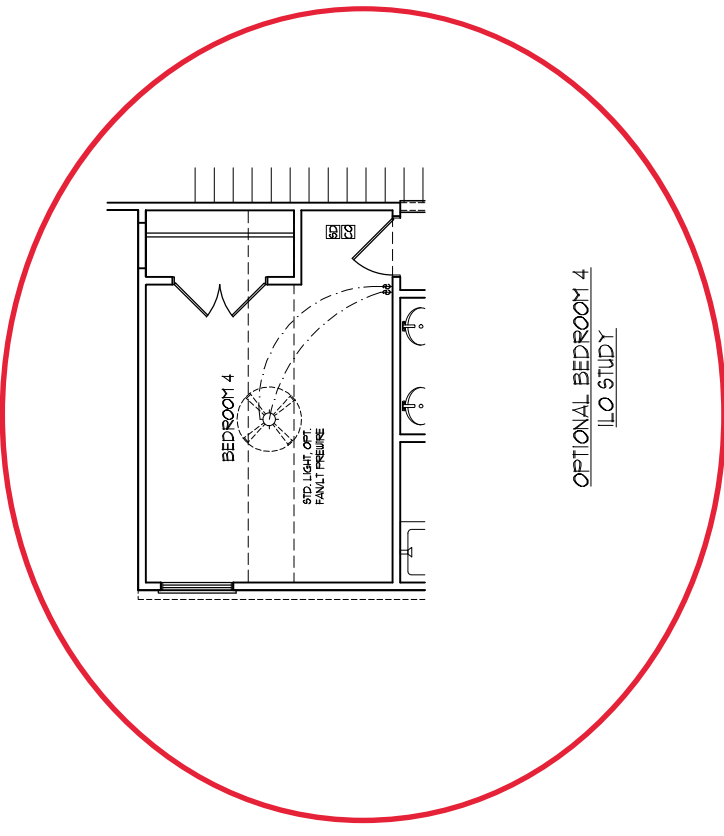
OPTIONS, FLOOR PLANS, ELEVATIONS, DESIGN MATERIALS AND DIMENSIONS ARE SUBJECT TO CHANGE WITHOUT NOTICE. SQUARE FOOTAGE AND DIMENSIONS ARE ESTIMATED AND MAY VARY IN ACTUAL CONSTRUCTION. ACTUAL POSITION OF HOUSE ON LOT WILL BE DETERMINED BY THE SITE PLAN AND PLOT PLAN. FLOOR PLANS AND ELEVATIONS DRAWINGS ARE ARTIST CONCEPTIONS. FLOOR PLANS ARE THE COPYRIGHTED PROPERTY OF H&H HOMES. ANY USE, REPRODUCTION, ADAPTATION, OR DISPLAY OF THE PLANS IS STRICTLY PROHIBITED. SEE NEW HOME SALES CONSULTANT FOR CURRENT DETAILS. COPYRIGHT © 2019 H&H HOMES



**J.S. THOMPSON ENGINEERING, INC.**  
 600 W. MARKET STREET, SUITE 104  
 RALEIGH, NC 27605  
 PHONE: (919) 789-9919  
 FAX: (919) 789-9921  
 N.C. LICENSE NO.: 61134

**ELECTRICAL LAYOUT NOTES:**  
 1) BLOCK AND WIRE FOR ALL CEILING FANS PER PLAN & 30" AFF. (HT)  
 2) VANITY LIGHTS TO BE SET AS REQUIRED BY CODE TO BE LOCATED BY ELECTRICIAN.  
 3) ADDITIONAL EXTERIOR OUTLETS REQUIRED BY CODE TO BE LOCATED BY ELECTRICIAN.  
 4) PLACE SWITCHES 8" FROM ROUGH OPENINGS.

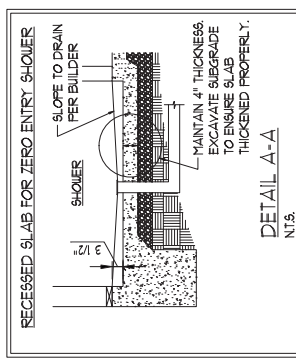
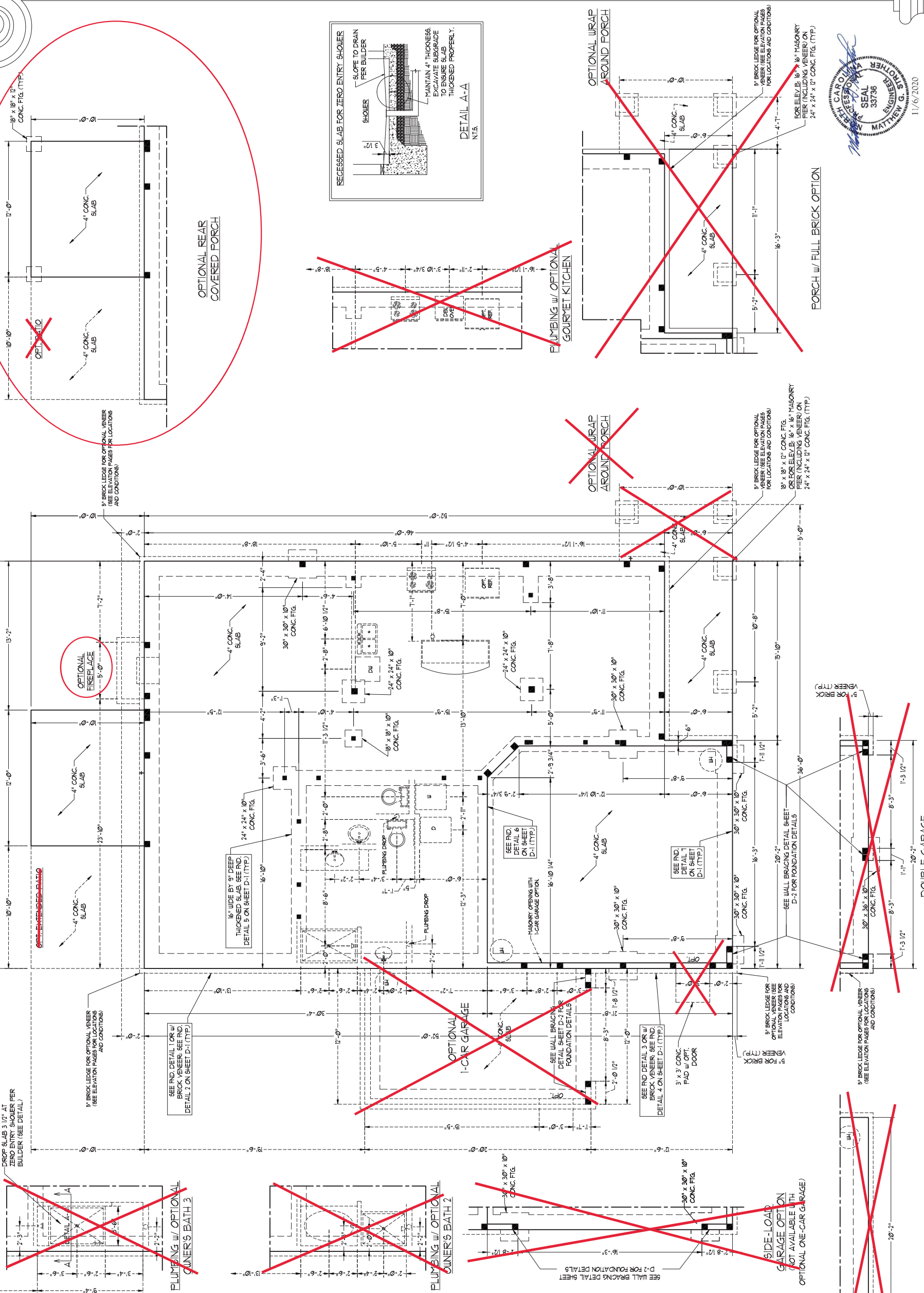
ELECTRICAL LEGEND	
	10 V OUTLET
	BALL MOUNT LIGHT
	CEILING MOUNT LIGHT
	PENDANT LIGHT
	RECESSED CAN LIGHT
	MINI CAN LIGHT
	EYEBALL LIGHT
	FLUORESCENT LIGHT
	7 LAMP 4' FLUORESCENT LIGHT
	FLOOD LIGHT
	SWITCH
	3-WAY SWITCH
	4-WAY SWITCH
	DIMMER SWITCH
	CONDITIONAL COMPONENT
	BREAKER
	DOORBELL CHIME
	10 V SMOKE DETECTOR
	CO DETECTOR
	EXHAUST FAN
	100 V VOLTAGE PANEL
	LVP
	CEILING FAN
	CEILING FAN W/ LIGHT







11/6/2020



**150 MPH ULTIMATE DESIGN WIND SPEED NOTES FOR LESS THAN 30' MEAN ROOF HEIGHT:**

- ENGINEER'S SEAL APPLIES ONLY TO STRUCTURAL COMPONENTS. ENGINEERS SEAL DOES NOT CERTIFY DIMENSIONAL ACCURACY OR ARCHITECTURAL LAYOUT.
- STRUCTURAL DESIGN PER NORTH CAROLINA RESIDENTIAL CODE 2008 EDITION WITH SPECIAL CONSIDERATION TO CHAPTER 45 (HIGH WIND ZONES) FOR 150 MPH.
- BUILDERS TO PROVIDE FRAMING CONNECTIONS AS REQUIRED BY CHAPTER 45 (HIGH WIND ZONES) FOR 150 MPH UNIFORM OF THE NORTH CAROLINA FOUNDATION ANCHORAGE TO COMPLY WITH RESIDENTIAL CODE 2008 EDITION. MEAN ROOF HEIGHT IS LESS THAN 30 FEET.
- AND .33 PSF (4. INDICATE POSITIVE) NEGATIVE PRESSURE (ITP).
- ROOF CLADDING DESIGNED FOR 122 PSF AND .38 PSF FOR ROOF PITCHES 1/2 TO 3/12 FOR ROOF.
- 1 1/4" OSB SHEATHING IS REQUIRED ON ALL EXTERIOR WALLS.
- WALLS TO BE BRACED IN ACCORDANCE WITH CHAPTER 45 (HIGH WIND ZONES) FOR 150 MPH UNIFORM OF THE NORTH CAROLINA RESIDENTIAL CODE 2008 EDITION AND AS NOTED ON PLANS.
- INSULATION VALUES OF THE BUILDING TO MEET ENERGY EFFICIENCY COMPLIANCE AND THE NRC 2008 EDITION.

**160 MPH ULTIMATE DESIGN WIND SPEED NOTES FOR LESS THAN 30' MEAN ROOF HEIGHT:**

- ENGINEER'S SEAL APPLIES ONLY TO STRUCTURAL COMPONENTS. ENGINEERS SEAL DOES NOT CERTIFY DIMENSIONAL ACCURACY OR ARCHITECTURAL LAYOUT.
- STRUCTURAL DESIGN PER NORTH CAROLINA RESIDENTIAL CODE 2008 EDITION.
- INSTALL 1/2" ANCHOR BOLTS @ 6'-0" O.C. AND ANCHOR BOLTS MUST EXTEND AT MINIMUM OF 1" INTO MASONRY OR CONCRETE. LOCATE BOLTS WITHIN MIDDLE THIRD OF PLATE WIDTH.
- EXTERIOR WALLS DESIGNED FOR 120 PSF WINDS.
- WALL CLADDING DESIGNED FOR 85 PSF AND .38 PSF FOR ROOF PITCHES 1/2 TO 3/12 FOR ROOF.
- ROOF CLADDING DESIGNED FOR 122 PSF AND .38 PSF FOR ROOF PITCHES 1/2 TO 3/12 FOR ROOF.
- ROOF CLADDING DESIGNED FOR 122 PSF AND .38 PSF FOR ROOF PITCHES 1/2 TO 3/12 FOR ROOF.
- INSTALL 1 1/4" OSB SHEATHING ON ALL EXTERIOR WALLS OF ALL STORES IN ACCORDANCE WITH SECTION 1603.03 OF THE 2008 IBC. SEE BRACING NOTES AND DETAIL SHEET FOR MORE INFORMATION.
- ENERGY EFFICIENCY COMPLIANCE AND INSULATION VALUES OF THE BUILDING TO MEET ENERGY EFFICIENCY COMPLIANCE AND THE NRC 2008 EDITION.
- REFER TO NOTES AND DETAIL SHEETS FOR ADDITIONAL STRUCTURAL INFORMATION.

**BRACED WALL DESIGN NOTES:**

1. BRACED WALL DESIGN PER SECTION R60210 OF THE NORS 2008 EDITION.
2. CS-15P REFERS TO 'CONTINUOUS SHEATHING - WOOD STRUCTURAL PANELS' CONTRACTOR IS TO INSTALL 1/8" OGB ON ALL EXTERIOR WALLS ATTACHED W/ 8d NAILS SPACED 6" O.C. ALONG PANEL EDGES AND 12" O.C. IN THE FIELD.
3. 'GB' REFERS TO 'GYPSUM BOARD' CONTRACTOR IS TO INSTALL 1/2" (MIN) GYPSUM WALL BOARD WHERE NOTED ON THE PLANS. FASTEN GB WITH 1/4" SCREWS OR 1 3/8" NAILS SPACED 7" O.C. ALONG PANEL EDGES AND IN THE FIELD INCLUDING TOP AND BOTTOM PLATES.
4. DESIGN APPLIED IN WIND ZONES UP TO 150 MPH. FOR WIND ZONES BRACE WALLS ARE TO BE CONSTRUCTED IN ACCORDANCE WITH CHAPTER 45 OF THE NORS 2008 EDITION.
5. SEE NOTES AND DETAIL SHEETS FOR ADDITIONAL BRACED WALL INFORMATION.

**NOTE:**

1. PER SECTION R60210.46 OF THE 2008 NORS, THE AMOUNT OF BRACING REQUIRED ON ALL BRACING OR EXTERIOR WALLS MULTIPLIED BY A FACTOR OF 1.5.
2. SHEATH ALL EXTERIOR WALLS WITH 1/8" OGB SHEATHING ATTACHED WITH 8d NAILS AT 6" O.C. ALONG PANEL EDGES AND 12" O.C. IN THE FIELD.

**STRUCTURAL NOTES:**

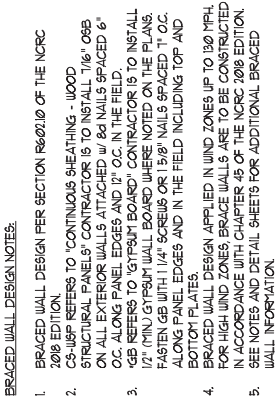
1. ALL FRAMING LUMBER TO BE #2 SFF (UNO).
2. ALL LOAD BEARING HEADERS TO BE (3) 2 x 8 (UNO).
3. SQUARES DENOTE POINT LOADS WHICH REQUIRE SOLID BLOCKING TO GIRDER OR FOUNDATION. SUPPORT UNSPECIFIED PT. LOADS ALONG FRAMED WALLS W/ (2) STUDS (UNO).
4. INSTALL AN EXTRA JOIST UNDER WALLS PARALLEL TO FLOOR JOISTS WHERE NOTED ON THE PLANS.
5. STEP FOUDED FOUNDATION WALL DOWN TO 2 x 6 @ 16" O.C. STUD WALL AS GRADE PERMITS.
6. ALL LOAD BEARING INTERIOR WALLS TO BE 2 x 4 @ 12" O.C. OR 2 x 6 @ 16" O.C. (UNO).
7. FOR HIGH WIND ZONES, ALL EXTERIOR WALLS TO BE SHEATHED WITH 1/8" OGB SHEATHING WITH JOISTS BLOKED AND SECURED WITH 8d NAILS AT 3" O.C. ALONG EDGES AND 6" O.C. IN THE FIELD.
8. PANELS TO BE INSTALLED WITH INTERSTICES AND GIRDERS WITH PANELS TO BE STAGGERED AT 3" O.C. PANELS SHALL EXTEND 12" BEYOND CONSTRUCTION JOINTS AND SHALL OVERLAP GIRDERS AND DOUBLE SILL PLATES THEIR FULL DEPTH.
9. ALL 4 x 4 POSTS SHALL BE ANCHORED TO SLABS W/ SIFRON AB144 POST BASES (OR EQUAL) AND 6 x 6 POSTS W/ ARJ66 POST BASES (OR EQUAL) (UNO). ALL 4 x 4 AND 6 x 6 POSTS TO BE INSTALLED WITH 100 LB CAPACITY UPLIFT CONNECTORS AT TOP (UNO).
10. FOR FIBERGLASS, ALUMINUM OR COLUMN ENG. BY OTHERS, SECURE TO SLAB W/ (2) METAL ANGLES USING 2" CONC. SCREWS. FASTEN ANGLES TO COLUMNS W/ 1/4" THROUGH BOLTS W/ NUTS AND WASHERS. LOCATE ANGLES ON OPPOSITE SIDES OF COLUMN. THROUGH BOLTS MUST BE INSTALLED PRIOR TO SETTING COLUMN.
11. REFER TO NOTES AND DETAIL SHEETS FOR ADDITIONAL STRUCTURAL INFORMATION.

**LINTEL SCHEDULE FOR BRICK/NATURAL STONE SUPPORT**

LENGTH (FT.)	SIZE OF LINTEL
UP TO 4 FT.	L 3 1/2 x 3 1/2 x 1/4
4-8	L 5 x 3 1/2 x 5/16 L1V
8 AND GREATER	L 6 x 4 x 5/16 L1V

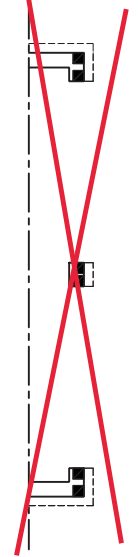
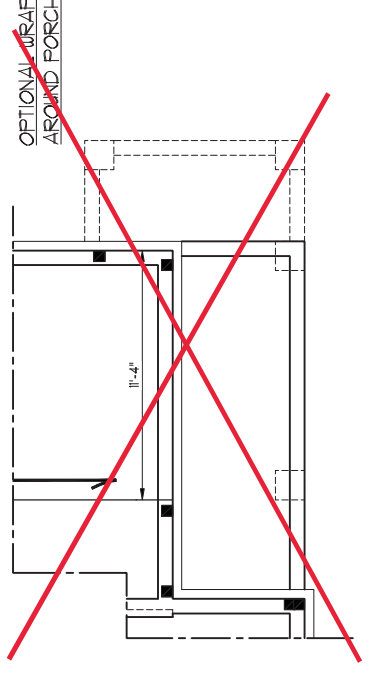
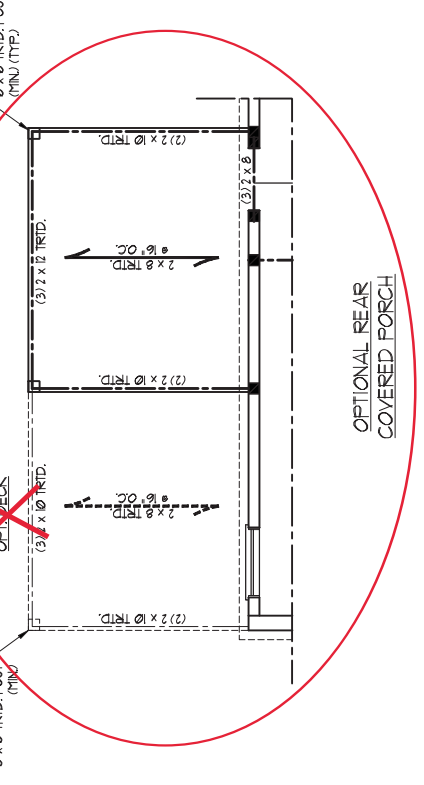
**BRICK SUPPORT NOTES:**

1. LINTEL SCHEDULE APPLIES TO ALL OPENINGS IN BRICK VENEER (UNO). SEE ARCH DETAILS FOR SIZE AND LOCATION OF OPENINGS.
2. (L1V) = LONG LEG VERTICAL
3. LENGTH OF CLEARANCE BETWEEN LIN. AT EACH SIDE INTO VENEER TO PROVIDE BEARING IN LENGTH, ATTACH STEEL ANGLE TO HEADER W/ 1/2" LAG SCREWS @ 12" O.C. STAGGERED.
4. FOR ALL BRICK SUPPORT \* ROOF LINES, FASTEN (2) 2 x 10 BLOCKING BETWEEN STUDS W/ (4) 7d NAILS PER PLY. FASTEN A 6" x 4" x 5/16" STEEL ANGLE TO (2) 2 x 10 BLOCKING W/ (7) 7d LAG SCREWS @ 12" O.C. SEE ARCH DETAILS (NO. 082) OF THE 2008 NORS FOR ADDITIONAL BRICK SUPPORT INFORMATION.
5. PRECAST REINFORCED CONCRETE LINELS ENGINEERED BY OTHERS MAY BE USED IN LIEU OF STEEL LINELS.



NOTE: PROVIDE THE FRAMED WALL FOR FIREPLACE WHEN ALL BRICK VENEER ELEVATION IS USED (A-4, B-4 AND C-4). CANTILEVER JOISTS W/ OPT. FIREPLACE

NOTE: FRAMING FOR OPTIONAL ZERO ENTRY SHOWER ONLY. ZERO ENTRY SHOWER CONTINUE TO 10' @ 16" O.C.



PORCH W/ FULL BRICK OPTION



11/7/2020

**J.S. THOMPSON ENGINEERING, INC.**  
 606 WADE AVE., SUITE 104 RALEIGH, NC 27605  
 PHONE: (919) 789-9919 FAX: (919) 789-9921  
 N.C. LICENSE NO. C-1733

JORDAN H&H HOMES, INC.

DATE: NOVEMBER 5, 2020  
 SCALE: 1/4" = 1'-0"  
 DRAWN BY: RENAISSANCE RESIDENTIAL DESIGN  
 ENGINEERED BY: WFB

SHEET: 5 OF: 10  
 S-1.4a  
 FIRST FLOOR FRAMING PLAN

DOUBLE GARAGE DOOR OPTION



11/6/2020

- BRICK SUPPORT NOTES:**
1. LINTEL SCHEDULE APPLIES TO ALL OPENINGS IN BRICK VENEER (UNO). SEE ARCH DIMS. FOR SIZE AND LOCATION OF OPENINGS.
  2. (LLV) = LONG LEG VERTICAL
  3. LENGTH = CLEAR OPENING
  4. EMBED ALL ANGLE IRONS MIN. 4" EACH SIDE INTO VENEER TO PROVIDE BEARING.
  5. FOR ALL HEADERS 8'-0" AND GREATER IN LENGTH, ATTACH STEEL ANGLE TO HEADERS W/ 1/2" LAG SCREWS @ 12" O.C. STAGGERED.
  6. BETWEEN STUDS, BRACKETS SHALL BE FASTENED W/ 4" x 4" x 5/16" STEEL ANGLE TO (2) 2" x 10" BLOCKING W/ (2) 10" LAG SCREWS @ 12" O.C. STAGGERED. SEE SECTION R103.8.2.1 OF THE 2018 NCRC FOR ADDITIONAL BRICK SUPPORT INFORMATION.
  7. PRECAST REINFORCED CONCRETE LINTELS ENGINEERED BY OTHERS MAY BE USED IN LIEU OF STEEL LINTELS.

LINTEL SCHEDULE FOR BRICK/NATURAL STONE SUPPORT	
LENGTH (FT.)	SIZE OF LINTEL
UP TO 4 FT.	L 3 1/2 x 3 1/2 x 1/4
4-8	L 5 x 3 1/2 x 5/16 LLV
8 AND GREATER	L 6 x 4 x 5/16 LLV

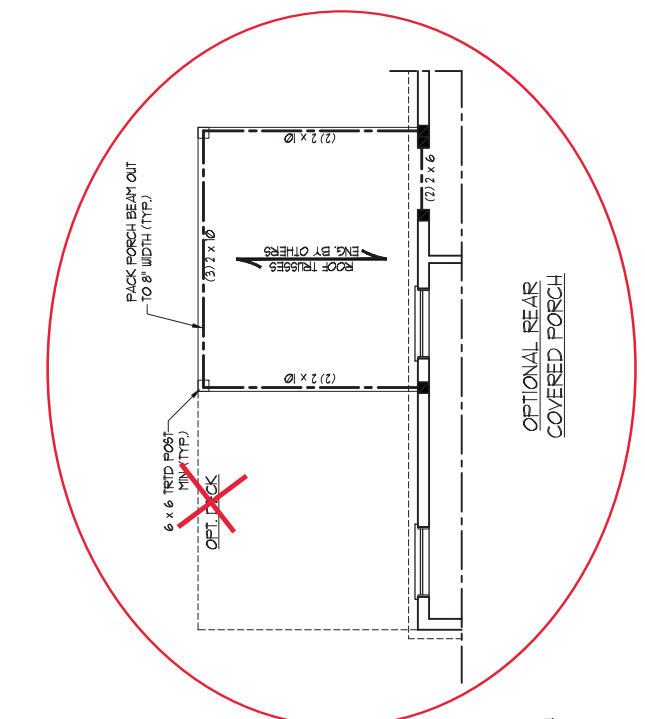
**NOTE: ALL EXTERIOR WALLS AND ATTIC WALLS ARE TO BE 2 x 6 @ 16" O.C. (UNO). 2 x 4 @ 16" O.C. EXTERIOR WALLS MAY BE CONSTRUCTED IN LIEU OF 2 x 6 WALLS (UNO). ALL INTERIOR LOAD BEARING WALLS ARE TO BE 2 x 4 @ 16" O.C. (UNO) AND NON-LOAD BEARING INTERIOR WALLS ARE TO BE 2 x 4 @ 24" O.C. (UNO).**

- STRUCTURAL NOTES:**
1. ALL FRAMING LUMBER TO BE SPP #1 (UNO).
  2. ALL TREATED LUMBER TO BE SPP #1 (UNO).
  3. ALL LOAD BEARING HEADERS TO BE (2) 2 x 6 (UNO).
  4. WINDOW AND DOOR HEADERS TO BE PARALLEL TO FLOOR JOISTS WHERE NOTED ON THE PLANS.
  5. INSTALL AN EXTRA JOIST UNDER WALLS SUPPORTED W/ (1) JACK STUD AND (1) KING STUD EA END (UNO). SEE TABLE R602.1.5 FOR JOIST SPACING REQUIREMENTS.
  6. ALL BRICK WALLS SHALL BE CONSTRUCTED ON FOUNDATION. ALL SQUARES TO BE (2) STUDS (UNO).
  7. FOR HIGH WIND ZONES, ALL EXTERIOR WALLS TO BE SHEATHED WITH 1/2" OSB SHEATHING WITH JOINTS BLOCKED AND SECURED WITH 8d NAILS AT 3" O.C. ALONG EDGES AND 6" O.C. IN THE FIELD.
  8. FOR HIGH WIND ZONES, SECURE ALL EXTERIOR WALL SHEATHING PANELS TO DOUBLE TOP FLATES, BANDS, JOISTS AND GRIDDERS WITH (2) ROWS OF 8d NAILS STAGGERED AT 3" O.C. PANELS SHALL EXTEND 1" BEYOND CONSTRUCTION JOINTS AND SHALL OVERLAP GRIDDERS AND DOUBLE SILL PLATES THEIR FULL DEPTH.
  9. ALL 4 x 4 POSTS SHALL BE ANCHORED TO FOUNDATION WITH 1/2" DIA. POST BASES OR EMBED (OR EQUAL) (UNO) ALL 4 x 4 AND 6 x 6 POSTS TO BE INSTALLED WITH 1000 LB CAPACITY UPLIFT CONNECTORS AT TOP (UNO) FOR FIBERGLASS ALUMINUM OR COLUMN END ANGLES USING 2" CONC. SCREWS FASTENED TO COLUINS W/ 1/4" THROUGH BOLTS @ 12" O.C. LOCATE ANGLES ON OPPOSITE SIDES OF COLUMN. THROUGH BOLTS MUST BE INSTALLED PRIOR TO SETTING COLUMN.
  10. REFER TO NOTES AND DETAIL SHEETS FOR ADDITIONAL STRUCTURAL INFORMATION.

\*18" INDICATES TRIPLE STUD POCKET BETWEEN WINDOW UNITS.

TABLE R602.1.5  
 MINIMUM NUMBER OF FULL HEIGHT STUDS AT EACH END OF HEADERS IN EXTERIOR WALLS

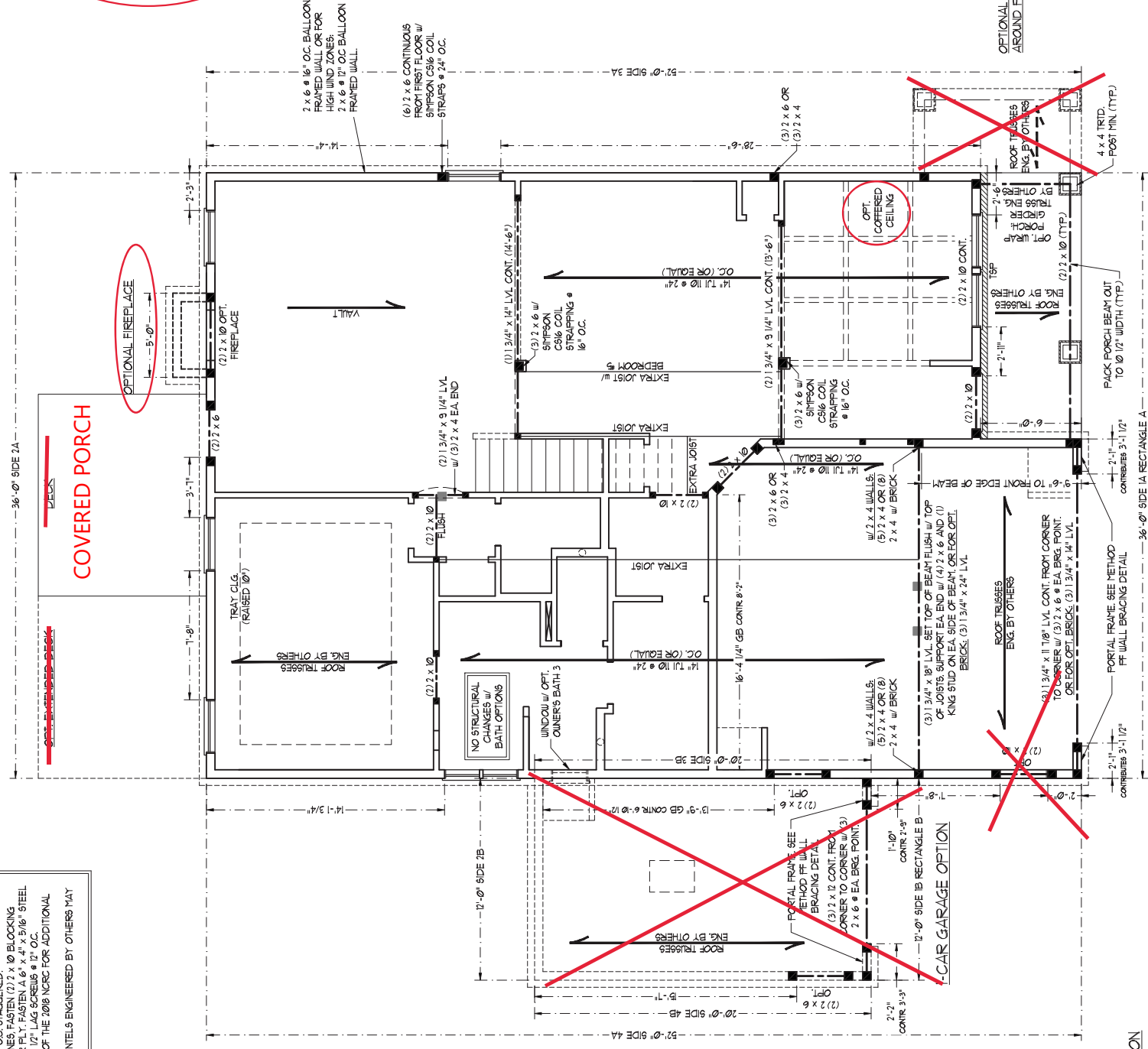
HEADER SPAN (FEET)	MINIMUM STUD SPACING (INCHES) (PER TABLE R602.1.5)
UP TO 3'	16
4'	7
5'	2
6'	3
7'	5
8'	4



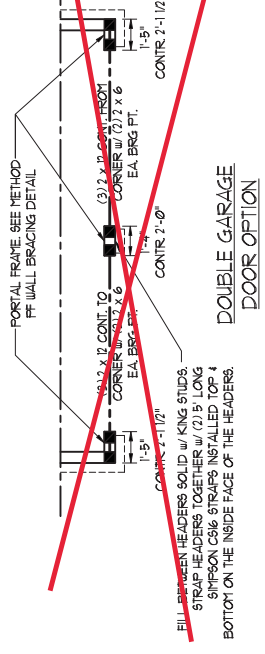
**BRACED WALL DESIGN**

RECTANGLE A	RECTANGLE B
<b>SIDE 1A (FRONT LOAD)</b>	<b>SIDE 1B</b>
METHOD: C5-U8P/FF	METHOD: C5-U8P/FF
TOTAL REQUIRED LENGTH: 16'	TOTAL REQUIRED LENGTH: 32'
TOTAL PROVIDED LENGTH: 16'	TOTAL PROVIDED LENGTH: 6'
<b>SIDE 2A</b>	<b>SIDE 2B</b>
METHOD: C5-U8P	METHOD: C5-U8P
TOTAL REQUIRED LENGTH: 16'	TOTAL REQUIRED LENGTH: 32'
TOTAL PROVIDED LENGTH: 16'	TOTAL PROVIDED LENGTH: 6'
<b>SIDE 3A</b>	<b>SIDE 3B / SIDE 4A (CUMULATIVE)</b>
METHOD: C5-U8P	METHOD: C5-U8P/GB
TOTAL REQUIRED LENGTH: 114'	TOTAL REQUIRED LENGTH: 134'
TOTAL PROVIDED LENGTH: 48.83'	TOTAL PROVIDED LENGTH: 30.6'
<b>SIDE 4A (SIDE LOAD)</b>	<b>SIDE 4B</b>
METHOD: C5-U8P/FF	METHOD: C5-U8P
TOTAL REQUIRED LENGTH: 114'	TOTAL REQUIRED LENGTH: 2'
TOTAL PROVIDED LENGTH: 352'	TOTAL PROVIDED LENGTH: 558'

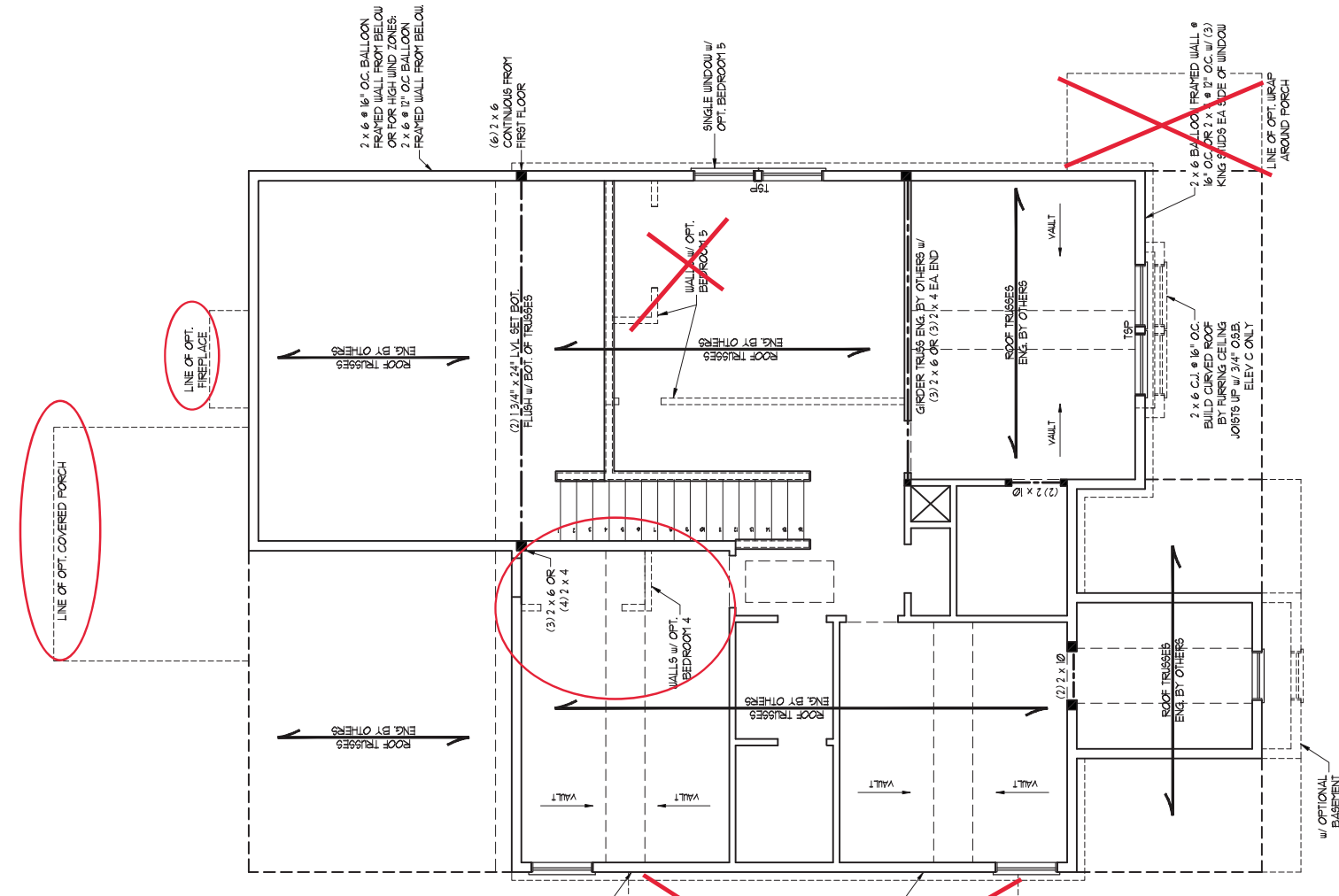
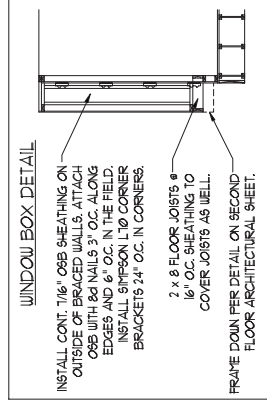
- BRACED WALL DESIGN NOTES:**
1. BRACED WALL DESIGN PER SECTION R602.10 OF THE NCRC.
  2. 2008 EDITIONS TO "CONTINUOUS SHEATHING - WOOD STRUCTURAL PANELS" CONTRACTOR IS TO INST ALL 1/2" OSB ON ALL EXTERIOR WALLS ATTACHED W/ 8d NAILS SPACED 6" O.C. ALONG PANEL EDGES AND 12" O.C. IN THE FIELD.
  3. "GB" REFERS TO "GYPSUM BOARD" CONTRACTOR IS TO INSTALL 1/2" (MIN) GYPSUM WALL BOARD WHERE NOTED ON THE PLANS. FASTEN GB WITH 1 1/4" SCREWS OR 1 5/8" NAILS SPACED 12" O.C. ALONG PANEL EDGES AND IN THE FIELD INCLUDING TOP AND BOTTOM PLATES.
  4. BRACED WALL DESIGN APPLIED IN WIND ZONES UP TO 150 MPH. FOR HIGH WIND ZONES, BRACE WALLS ARE TO BE CONSTRUCTED IN ACCORDANCE WITH SECTION R602.10 OF THE NCRC. SEE NOTES AND DETAIL SHEETS FOR ADDITIONAL BRACED WALL INFORMATION.



OPTIONAL ONE-CAR GARAGE



DOUBLE GARAGE DOOR OPTION



- BRACED WALL DESIGN NOTES:**
- BRACED WALL DESIGN PER SECTION R602.10 OF THE NCRC 2018 EDITION.
  - CS-16F REFERS TO CONTINUOUS SHEATHING - WOOD. STRUCTURAL PANELS CONTRACTOR IS TO INSTALL 1/4" OSB ON ALL EXTERIOR WALL EDGES AND 12" ON THE FIELD. OSB BEERS TO 15° PERM BOARD CONTRACTOR IS TO INSTALL FASTENERS WITH 1 1/4" SCREWS OR 1 5/8" NAILS SPACED 1' O.C. ALONG PANEL EDGES AND IN THE FIELD INCLUDING TOP AND BOTTOM FLATES.
  - BRACED WALL DESIGN APPLIED IN WIND ZONES UP TO 130 MPH. FOR HIGH WIND ZONES BRACE WALLS ARE TO BE CONSTRUCTED IN ACCORDANCE WITH CHAPTER 45 OF THE NCRC 2018 EDITION. SEE NOTES AND DETAIL SHEETS FOR ADDITIONAL BRACED WALL INFORMATION.

**NOTE: ALL EXTERIOR WALLS AND ATTIC WALLS ARE TO BE 2 x 6 @ 16" O.C. (UNO). 2 x 4 @ 16" O.C. EXTERIOR WALLS MAY BE CONSTRUCTED IN LIEU OF 2 x 6 WALLS (UNO). ALL INTERIOR LOAD BEARING WALLS ARE TO BE 2 x 4 @ 16" O.C. (UNO) AND NON-LOAD BEARING INTERIOR WALLS ARE TO BE 2 x 4 @ 24" O.C. (UNO).**

**LINTEL SCHEDULE FOR BRICK/NATURAL STONE SUPPORT**

LENGTH (FEET)	SIZE OF LINTEL
UP TO 4 FT.	1 x 12 x 3 1/2 x 1/4
4-8	1.5 x 12 x 5/16 LLY
8 AND GREATER	1.6 x 4 x 5/16 LLY

- BRICK SUPPORT NOTES:**
- LINTEL SCHEDULE APPLIES TO ALL OPENINGS IN BRICK VENEER (UNO). SEE ARCH DRAWG FOR SIZE AND LOCATION OF OPENINGS.
  - LENGTH = CLEAR OPENING.
  - EMBED ALL ANGLE IRONS 7/8" EACH SIDE INTO VENEER TO PROVIDE BEARING. NUTS SHALL BE PLACED AFTER HEADER ATTACHES STEEL ANGLE TO HEADER @ 10' LAG SCREWS @ 12" O.C. STAGGERED.
  - FOR ALL BRICK SUPPORT @ ROOF LINES, FASTEN (2) 2 x 10 BLOCKING BETWEEN STUDS @ 4' 1/2" NAILS PER PLY FASTEN @ 6" x 4" x 5/16" STEEL ANGLE TO (2) 2 x 10 BLOCKING @ (2) 1/2" LAG SCREWS @ 12" O.C. STAGGERED. SEE SECTION R103.3.21 OF THE 2018 NCRC FOR ADDITIONAL BRICK OVERLAP INFORMATION. BRICK SUPPORTS AND LINTELS ENGINEERED BY OTHERS MAY BE USED IN LIEU OF STEEL LINTELS.

- STRUCTURAL NOTES:**
- ALL FRAMING LUMBER TO BE SPT # (UNO). ALL TREATED LUMBER TO BE SPT # (UNO).
  - ALL LOAD BEARING HEADERS TO BE (2) 2 x 6 (UNO). WINDOW AND DOOR HEADERS TO BE SUPPORTED @ (1) JACK STUD AND (1) KING STUD EA. END (UNO). SEE TABLE R602.15 FOR ADDITIONAL KING STUD REQUIREMENTS.
  - SQUARES DENOTE POINT LOADS WHICH REQUIRE SOLID BLOCKING TO GIRDER OR FOUNDATION. ALL SQUARES TO BE (2) STUDS (UNO).
  - FOR HIGH WIND ZONES, ALL EXTERIOR WALLS TO BE SHEATHED WITH 1/4" OSB SHEATHING WITH JOINTS BLOCKED AND SEALED WITH 8d NAILS AT 3" O.C. FLOOR EDGES AND 6" O.C. IN THE FIELD. SHEATHING PANELS TO DOUBLE TOP FLATES. SHEATHING PANELS TO DOUBLE TOP FLATES. JOISTS, GIRDERS AND GIRDERS WITH (2) BOLTS OF 8d NAILS STAGGERED AT 3' O.C. PANELS SHALL EXTEND 1" BEYOND CONSTRUCTION JOINTS AND SHALL OVERLAP GIRDERS AND DOUBLE SILL FLATES THEIR FULL DEPTH.
  - REFER TO NOTES AND DETAIL SHEETS FOR ADDITIONAL STRUCTURAL INFORMATION.

**TABLE R602.15 MINIMUM NUMBER OF FULL-HEIGHT STUDS AT EACH END OF HEADERS IN EXTERIOR WALLS (PER TABLE R602.15)**

HEADER SPAN (FEET)	MINIMUM STUD SPACING (INCHES)
UP TO 3'	16
4'	1
8'	2
12'	3
16'	4



**BRICK SUPPORT NOTE:**

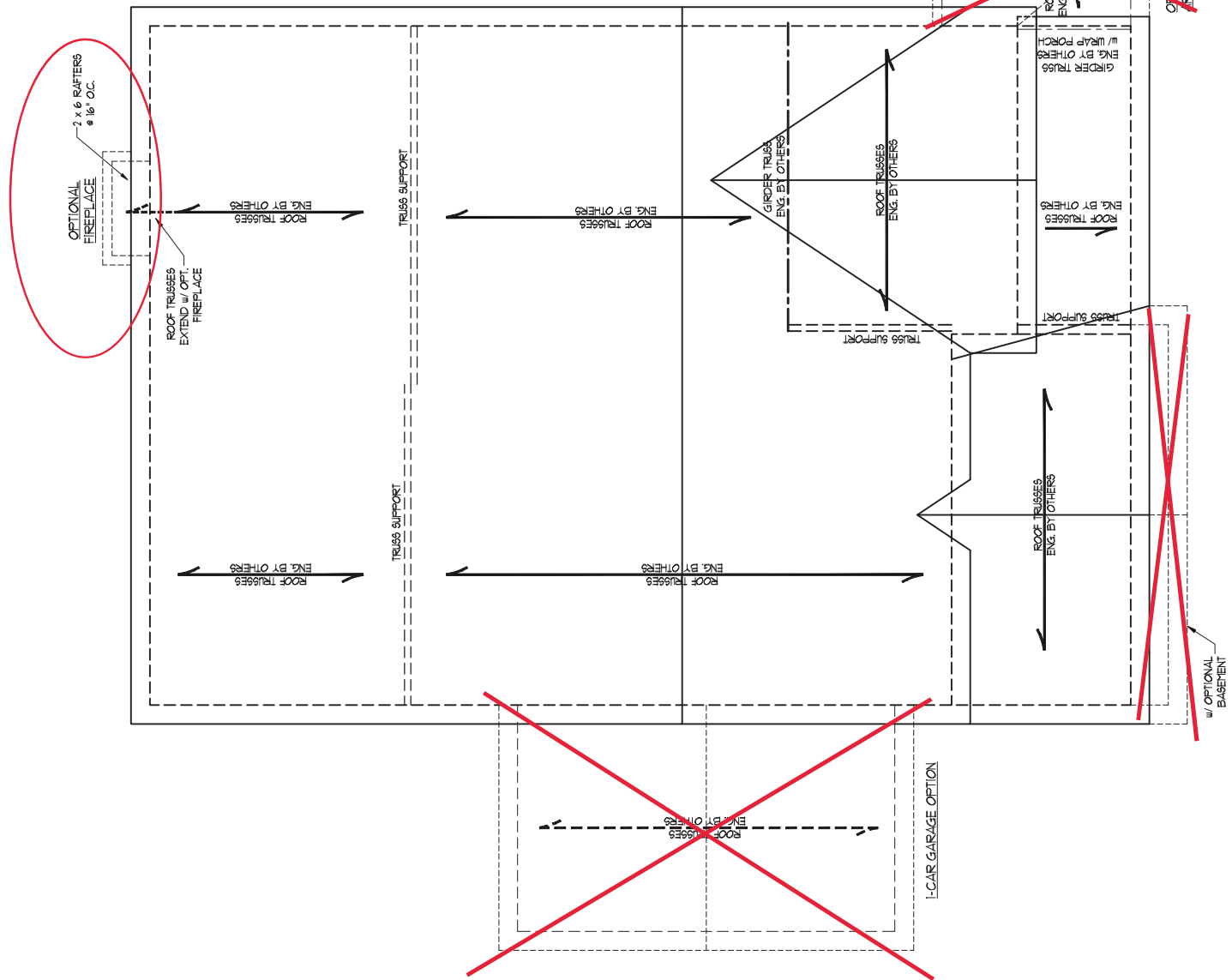
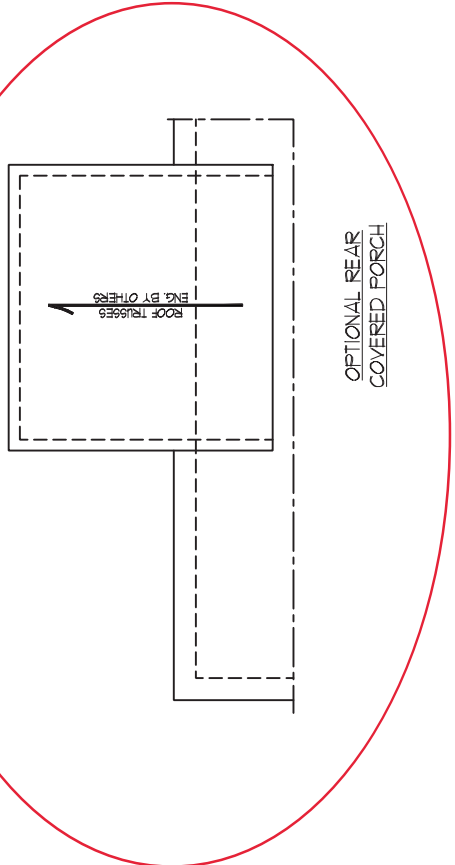
1. FASTEN (2) 2 x 10 BLOCKING BETWEEN WALL STUDS w/ (4) 10d NAILS PER PLY. FASTEN A 6" x 4" x 5/16" STEEL ANGLE TO (2) 2 x 10 BLOCKING w/ (2) 1/2" LAG SCREWS # 12" O.C. STAGGERED. SEE SECTION R102.2.2.1 OF THE 2018 NRC FOR ADDITIONAL BRICK SUPPORT INFORMATION.
2. BRICK SUPPORT SHALL BE INSTALLED 1/8" INST. ALL 3/4" x 3/4" STEEL PLATE BOLTS AT 24" O.C. PER SECTION R102.2.2.1 OF THE NORTH CAROLINA RESIDENTIAL CODE, 2018 EDITION.

**STRUCTURAL NOTES:**

1. ALL FRAMING LUMBER TO BE #2 SFT. (UNO).
2. CIRCLES DENOTE (3) 2 x 4 F0815 FOR ROOF SUPPORT.
3. FRAME DORMER WALLS ON TOP OF DOUBLE OR TRIPLE RAFTERS.
4. HIP SPLICES ARE TO BE SPACED A MIN. OF 8'-0". FASTEN MEMBERS WITH THREE ROWS OF 10d NAILS # 16 O.C. (11P).
5. BLOCKS TO BE OVERLAPPED 2x6 RAFTERS # 16 O.C. AND 2x6 RAFTERS # 16 O.C. AND FLAT 2 x 10 VALLEYS OR USE VALLEY TRUSSES.
6. FASTEN FLAT VALLEYS TO RAFTERS OR TRUSSES WITH SIMPSON H25A HURRICANE TIES 3/8" O.C. MAX. PASS HURRICANE TIES THROUGH NOTCH IN ROOF SHEATHING. EACH RAFTER IS TO BE FASTENED TO THE FLAT VALLEY WITH A MIN. OF (6) 10d TOE NAILS.

REFER TO SECTION R802.11 OF THE 2018 NRC FOR REQUIRED UPLIFT RESISTANCE AT RAFTERS AND TRUSSES.

REFER TO NOTES AND DETAIL SHEETS FOR ADDITIONAL STRUCTURAL INFORMATION.



ELEVATION A AND B



**MASONRY STEM WALL SPECIFICATIONS**

WALL HEIGHT (FEET)	MASONRY WALL TYPE			
	8" CMU	4" BRICK AND 4" CMU	4" BRICK AND 8" CMU	12" CMU
2 AND BELOW	UNGRAOUTED	GROUT SOLID	UNGRAOUTED	UNGRAOUTED
3	UNGRAOUTED	GROUT SOLID	UNGRAOUTED	UNGRAOUTED
4	GROUT SOLID w/ 1/4" REBAR @ 36" O.C.	GROUT SOLID w/ 1/4" REBAR @ 48" O.C.	GROUT SOLID	GROUT SOLID w/ 1/4" REBAR @ 64" O.C.
5	GROUT SOLID w/ 1/4" REBAR @ 36" O.C.	NOT APPLICABLE	GROUT SOLID w/ 1/4" REBAR @ 36" O.C.	GROUT SOLID w/ 1/4" REBAR @ 64" O.C.
6	GROUT SOLID w/ 1/4" REBAR @ 24" O.C.	NOT APPLICABLE	GROUT SOLID w/ 1/4" REBAR @ 24" O.C.	GROUT SOLID w/ 1/4" REBAR @ 64" O.C.
1 AND GREATER	ENGINEERED DESIGN BASED ON SITE CONDITIONS			

- STRUCTURAL NOTES:**
- WALL HEIGHT MEASURED FROM TOP OF FOOTING TO TOP OF THE WALL.
  - IF MULTIPLE UTILITIES TOGETHER WITH LADDER WIRE AT 18" O.C. VERTICALLY.
  - CHART APPLICABLE FOR HOUSE FOUNDATION ONLY. CONSULT ENGINEER FOR DESIGN OF GARAGE FOUNDATION NOT COMMON TO HOUSE.
  - BACKFILL OF CLEAN 1 1/2" WASHED STONE IS ALLOWABLE.
  - CLASSIFIED AS GROUP 1 ACCORDING TO UNSETTLED SOILS CLASSIFICATION SYSTEM IN ACCORDANCE WITH TABLE B602.1 OF THE 2018 INTERNATIONAL RESIDENTIAL CODE ARE ALLOWABLE.
  - PREP SLAB PER IS906.21 AND IS906.22 BASE OF THE 2018 INTERNATIONAL RESIDENTIAL CODE.
  - MINIMUM 2" LAP SPlice LENGTH.
  - LOCATE REBAR IN CENTER OF FOUNDATION WALL.
  - WHERE REQUIRED, FILL BLOCK SOLID WITH TYPE 'S' PORTLAND OR 3000 PSI GROUT. USE OF 'LOU LIFT GROUTING' METHOD REQUIRED WHEN FILLING WALLS WITH GROUT AT HEIGHTS OF 9' AND GREATER.

**ANCHOR SPACING AND EMBEDMENT**

WIND ZONE	120 MPH	130 MPH
SPACING	6'-0" O.C.	4'-0" O.C.
EMBEDMENT	1'	18" INTO MASONRY 1" INTO CONCRETE

**STEM WALL DETAILS**

**DETAIL 1**

**TYPICAL STEM WALL DETAIL (w/ OPTIONAL WATER TABLE)**

**OPTIONAL DETAIL 1**

**OPTIONAL STEM WALL DETAIL**

**DETAIL 2**

**TYPICAL STEM WALL DETAIL w/ BRICK DETAIL**

**DETAIL 3**

**TYPICAL STEM WALL DETAIL w/ CURB @ GARAGE**

**OPTIONAL DETAIL 2**

**TYPICAL STEM WALL DETAIL w/ CURB @ GARAGE**

**DETAIL 4**

**TYPICAL STEM WALL DETAIL w/ BRICK AND CURB @ GARAGE**

**DETAIL 8**

**THREADED ROD THROUGH BRICK MASONRY**

**MONOLITHIC SLAB DETAILS**

**DETAIL 1**

**TYPICAL SLAB DETAIL**

**DETAIL 2**

**BRICK VENEER DETAIL**

**DETAIL 3**

**GARAGE CURB DETAIL**

**DETAIL 4**

**GARAGE CURB BRICK LEDGER DETAIL**

**DETAIL 5**

**GARAGE CURB DETAIL**

**DETAIL 6**

**STEP IN GARAGE DETAIL**

**DETAIL 7**

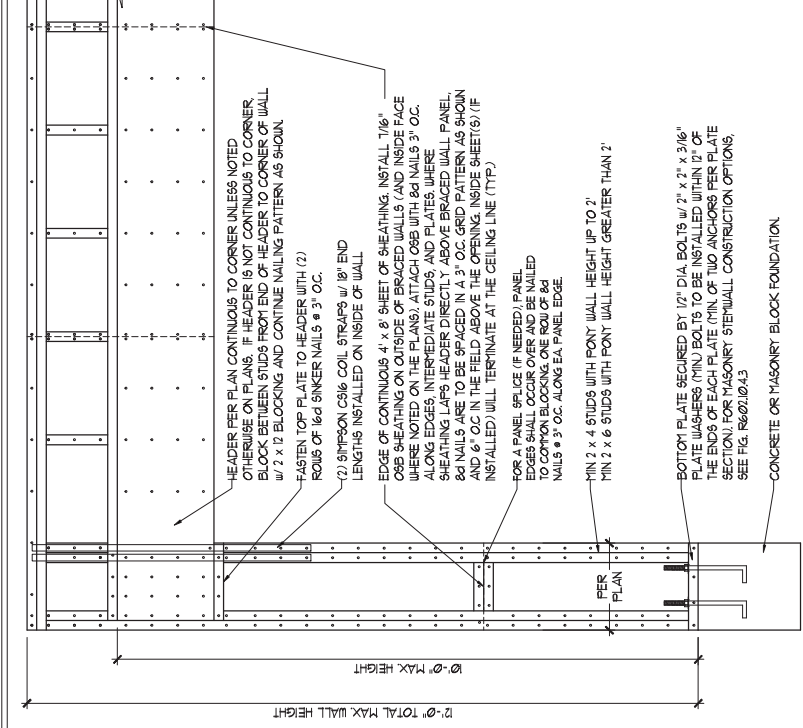
**THICKENED SLAB DETAIL**

**DETAIL 1**

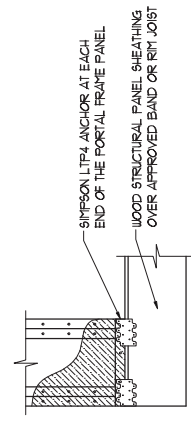
**SLAB AT GARAGE DOOR DETAIL**

**GENERAL WALL BRACING NOTES:**

1. WALL BRACING DESIGNED IN ACCORDANCE WITH CHAPTER 6 OF THE 2018 NC RESIDENTIAL BUILDING CODE (NRC). TABLES AND FIGURES REFERENCED ARE FROM THE 2018 NRC.
2. SEE THIS SHEET FOR GENERAL DETAILS. REFER TO THE 2018 NRC FOR ADDITIONAL INFORMATION AS NEEDED.
3. THIS SHEET PROVIDES THE GENERAL BRACING DETAILS FOR WALLS. LONGER DIMENSIONS AND DOWN THE LINE LOCATIONS BRACED WALL LINE KEYS WITH WALL DESIGN SUPPORT OF REQUIRED DIMENSIONS TO ALLOW FOR EACH WALL LINE AND ANY SPECIAL NOTES OR REQUIREMENTS.
4. ALL EXTERIOR WALLS ARE TO BE SHEATHED WITH CS-105P IN ACCORDANCE WITH SECTION R602.10.3 UNLESS NOTED OTHERWISE.
5. ALL EXTERIOR AND INTERIOR WALLS TO HAVE 1/2" GYPSUM INSTALLED. WHEN NOT USING METHOD (GB), GYPSUM TO BE FASTENED PER TABLE R702.3.5. METHOD GB TO BE FASTENED PER TABLE R602.10.
6. CS-105P REFERS TO THE "CONTINUOUS SHEATHING - WOOD STRUCTURAL PANELS" WALL BRACING METHOD. 1/4" OSB SHEATHING IS TO BE INSTALLED ON ALL EXTERIOR WALLS ATTACHED W/ 64d COMMON NAILS OR 8d (2 1/2" LONG x 0.135" DIAMETER) NAILS SPACED 6" O.C. ALONG PANEL EDGES AND 17" O.C. IN THE FIELD (UNO).
7. GB REFERS TO THE "GYPSUM BOARD" WALL BRACING METHOD. 1/2" MINU GYPSUM WALL BOARD IS TO BE INSTALLED ON BOTH SIDES OF THE BRACED WALL FASTENED WITH 1 1/4" SCREWS OR 1 5/8" NAILS SPACED 17" O.C. ALONG PANEL EDGES INCLUDING TOP AND BOTTOM PLATES AND INTERMEDIATE SUPPORTS (UNO). VERIFY ALL FASTENER OPTIONS FOR 17" AND 19" O.C. SPACING PER TABLE R602.3.1. EXTERIOR GB TO BE INSTALLED VERTICALLY. SEE TABLE R602.3.5. FOR EXTERIOR FASTENER OPTIONS. SEE TABLE R602.3.1.
8. REQUIRED BRACED WALL LENGTH FOR EACH SIDE OF THE CIRCUMSCRIBED RECTANGLE ARE INTERPOLATED PER TABLE R602.10.3. METHOD CS-105P CONTRIBUTES ITS ACTUAL LENGTH. METHOD GB CONTRIBUTES 5% ITS ACTUAL LENGTH. AND METHOD PF CONTRIBUTES 15% THEIRS ACTUAL LENGTH.

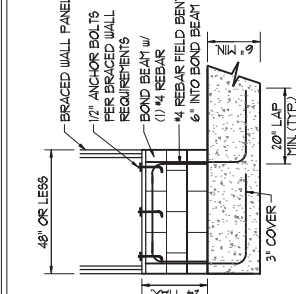


**METHOD PF-PORTAL FRAME DETAIL (1)**

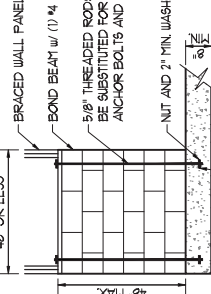


**OVER RAISED WOOD FLOOR - FRAMING ANCHOR OPTION**  
 \* APPLICABLE W/ GREATER THAN 17" KNEE WALL HEIGHTS  
 \* IN CRUIAL SPACE AND ABOVE TRATED BASEMENT WALLS \*

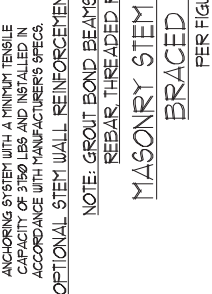
**METHOD PF-PORTAL FRAME DETAIL (1)**



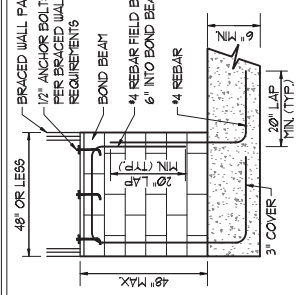
**SHORT STEM WALL REINFORCEMENT**



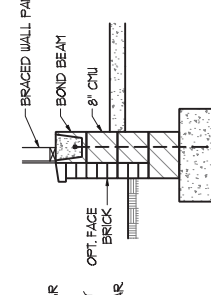
**TALL STEM WALL REINFORCEMENT**



**TYPICAL STEM WALL SECTION**



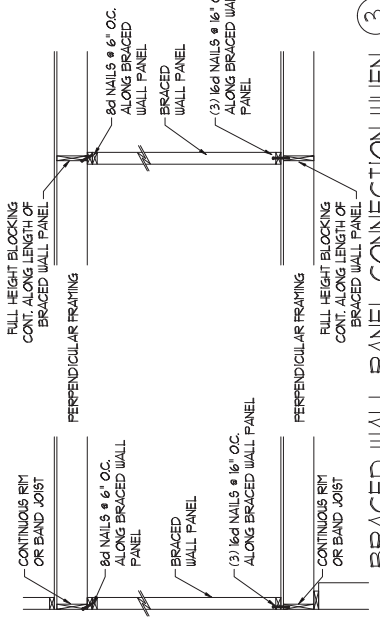
**BRACED WALL PANELS (2)**



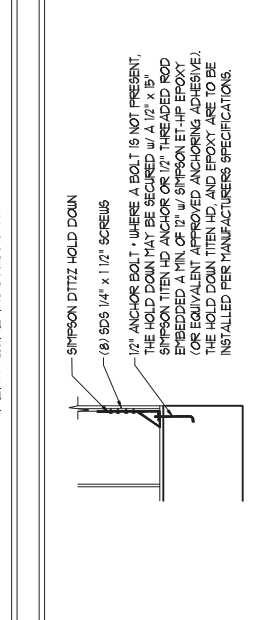
**MASONRY STEM WALLS SUPPORTING BRACED WALL PANELS (2)**



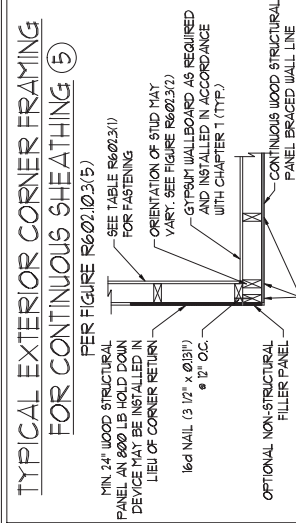
**OPTIONAL STEM WALL REINFORCEMENT**



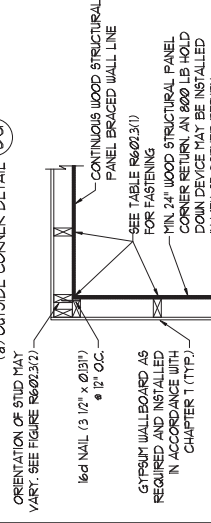
**BRACED WALL PANEL CONNECTION WHEN PERPENDICULAR TO FLOOR/CEILING FRAMING (3)**



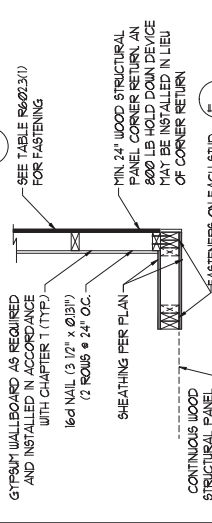
**HOLD DOWN DETAIL FOR MASONRY FOUNDATION OR MONOLITHIC SLAB (4)**  
 \* APPLICABLE ONLY WHERE SPECIFIED ON PLAN \*



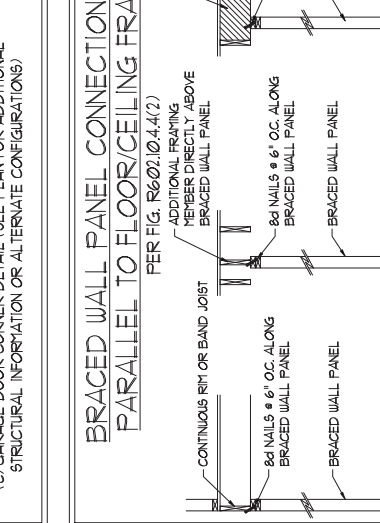
**TYPICAL EXTERIOR CORNER FRAMING FOR CONTINUOUS SHEATHING (5)**



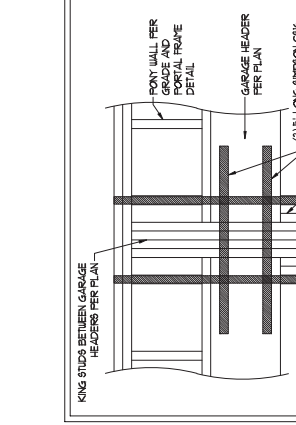
**(5a) OUTSIDE CORNER DETAIL**



**(5b) INSIDE CORNER DETAIL**



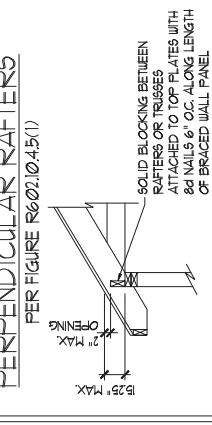
**BRACED WALL PANEL CONNECTION WHEN PARALLEL TO FLOOR/CEILING FRAMING (6)**



**PORTAL FRAME CONNECTION DETAIL BETWEEN GARAGE DOOR HEADERS (REFERENCE PORTAL FRAME DETAIL FOR ALL OTHER PORTAL FRAME INFORTATION) (7)**



**BRACED WALL PANEL CONNECTION TO PERPENDICULAR RAFTERS PER FIGURE R602.10.4.5(1) (8)**



**BRACED WALL PANEL CONNECTION TO PERPENDICULAR ROOF TRUSSES PER FIGURE R602.10.4.5(3) (OR ALTERNATIVE: FIGURE R602.10.4.5(2)) (9)**

**J.S. THOMPSON ENGINEERING, INC.**  
 606 WADE AVE., SUITE 104 RALEIGH, NC 27605  
 PHONE: (919) 789-9919 FAX: (919) 789-9921  
 N.C. LICENSE NO.: C1733

**120 MPH - 130 MPH ULTIMATE DESIGN WIND SPEED**  
 WALL BRACING NOTES AND DETAILS

DATE: NOVEMBER 14, 2018  
 SCALE: 1/4" = 1'-0"  
 DRAWN BY: JST  
 ENGINEERED BY: JST

D-2  
 BRACED WALL NOTES AND DETAILS AND PF DETAIL

CAROLINA PROFESSIONAL SEAL  
 MATTHEW G. STONER  
 ENGINEER  
 11/6/2020

This sealed page is to be used in conjunction with a full plan set engineered by J.S. Thompson Engineering, Inc. only. Use of this individual sealed page within architectural pages or shop drawings by others is a punishable offense under N.C. Statute § 89C-2.3

### GENERAL NOTES

- ENGINEER'S SEAL APPLIES ONLY TO STRUCTURAL COMPONENTS INCLUDING ROOF RAFTERS, HIPs, VALLEYS, RIDGES, FLOORS, WALLS, BEAMS, HEADERS, COLUMNS, CANTILEVERS, OFFSET LOAD BEARING WALLS, PIERS, GIRDER SYSTEM AND FOOTING. ENGINEER'S SEAL DOES NOT CERTIFY DIMENSIONAL ACCURACY OF ARCHITECTURAL LAYOUT INCLUDING ROOF. ENGINEER'S SEAL DOES NOT APPLY TO JOIST OR FLOOR/ROOF TRUSS LAYOUT DESIGN AND ACCURACY.
- ALL CONSTRUCTION SHALL CONFORM TO THE LATEST REQUIREMENTS OF THE NORTH CAROLINA RESIDENTIAL CODE (NRC), 2018 EDITION PLUS ALL LOCAL CODES AND REGULATIONS. THE STRUCTURAL ENGINEER IS NOT RESPONSIBLE FOR, AND WILL NOT HAVE CONTROL OF, CONSTRUCTION MEANS, METHODS, TECHNIQUES, SEQUENCES OR PROCEDURES OR SAFETY PRECAUTIONS AND PROGRAMS IN CONNECTION WITH THE CONSTRUCTION WORKS. NOR WILL THE ENGINEER BE RESPONSIBLE FOR THE CONTRACTORS FAILURE TO CARRY OUT THE CONSTRUCTION WORK IN ACCORDANCE WITH THE CONTRACT DOCUMENTS.
- STRUCTURAL DESIGN BASED ON THE PROVISIONS OF THE NRC, 2018 EDITION (SECTION 4 - RES017)

DESIGN CRITERIA:	LIVE LOAD (PSF)	DEAD LOAD (PSF)	DEFLECTION (IN)
ATTIC WITH LIMITED STORAGE	20	10	L/240 (L/240 w/ BRITTLE FINISHES)
ATTIC WITHOUT STORAGE	10	10	L/360
DECKS	40	10	L/360
EXTERIOR BALCONIES	40	10	L/360
FIRE ESCAPES	40	10	L/360
HANDRAILS/GUARDRAILS	200 LB OR 50 (FEF)	10	L/360
PASSENGER VEHICLE GARAGE	50	10	L/360
ROOMS OTHER THAN SLEEPING ROOM	40	10	L/360
SLEEPING ROOMS	30	10	L/360
STAIRS	40	10	L/360
WIND LOAD	(BASED ON TABLE R602(4) WIND ZONE AND EXPOSURE)		
GROUND SNOW LOAD: Pg	20 (PSF)		

- JOIST SYSTEMS DESIGNED WITH 12 PSF DEAD LOAD AND DEFLECTION (IN) OF L/480
  - FLOOR TRUSS SYSTEMS DESIGNED WITH 15 PSF DEAD LOAD
- FOR 15 AND 120 MPH WIND ZONES; FOUNDATION ANCHORAGE IS TO COMPLY WITH SECTION R405(16) OF THE NRC, 2018 EDITION. FOR 130 MPH, 140 MPH, AND 150 MPH WIND ZONES; FOUNDATION ANCHORAGE IS TO COMPLY WITH SECTION 4504 OF THE NRC, 2018 EDITION.
  - ENERGY EFFICIENCY COMPLIANCE AND INSULATION VALUES OF THE BUILDING TO BE IN ACCORDANCE WITH CHAPTER 11 OF THE NRC, 2018 EDITION.

### FOOTING AND FOUNDATION NOTES

- FOUNDATION DESIGN BASED ON A MINIMUM ALLOWABLE BEARING CAPACITY OF 2000 PSF. CONTACT GEOTECHNICAL ENGINEER IF BEARING CAPACITY IS NOT ACHIEVED.
- FOR ALL CONCRETE SLABS AND FOOTINGS, THE AREA WITHIN THE PERIMETER OF THE BUILDING ENVELOPE SHALL HAVE ALL VEGETATION, TOP SOIL AND FOREIGN MATERIAL REMOVED. FILL MATERIAL SHALL BE FREE OF VEGETATION AND FOREIGN MATERIAL. THE FILL SHALL BE COMPACTED TO ASSURE UNIFORM SUPPORT OF THE SLAB, AND EXCEPT WHERE APPROVED, THE FILL DEPTHS SHALL NOT EXCEED 24" FOR UNGRAVELLED MATERIALS AND 36" FOR GRAVELLED MATERIALS. ALL CONCRETE SLABS SHALL BE INSTALLED ON WELL-DRAINED OR SAND-GRAVEL MIXTURES. ALL SLABS SHALL BE REINFORCED WITH CONCRETE REINFORCING SYSTEM IN ACCORDANCE WITH TABLE R602(1) OF THE NRC, 2018 EDITION.
- PROPERLY DELIMIT EXCAVATION PRIOR TO POURING CONCRETE WHEN BOTTOM OF CONCRETE SLAB IS AT OR BELOW WATER TABLE. IF APPLICABLE, 3/4" - 1" DEEP CONTROL JOINTS ARE TO BE SAILED WITHIN 4 TO 12 HOURS OF CONCRETE FINISHING AND WALL LOCATIONS HAVE BEEN MARKED. ADJUST WHERE NECESSARY.
- CONCRETE SHALL CONFORM TO SECTION R402(2) OF THE NRC, 2018 EDITION. CONCRETE REINFORCING STEEL TO BE ASTM A615 GRADE 60. WELDED WIRE FABRIC TO BE ASTM A95. MAINTAIN A MINIMUM CONCRETE COVER AROUND REINFORCING STEEL OF 3" IN FOOTINGS AND 1 1/2" IN SLABS. FOR POURED CONCRETE WALLS, CONCRETE COVER FOR REINFORCING STEEL MEASURED FROM THE INSIDE FACE OF THE WALL SHALL NOT BE LESS THAN 3/4". CONCRETE COVER FOR REINFORCING STEEL MEASURED FROM THE OUTSIDE FACE OF THE WALL SHALL NOT BE LESS THAN 1 1/2" FOR 6 BARS OR SMALLER, AND NOT LESS THAN 2" FOR 6 BARS OR LARGER.
- MASONRY UNITS TO CONFORM TO ACE 530/ASCE 5/THS 402. MORTAR SHALL CONFORM TO ASTM C270.
- THE UNSUPPORTED HEIGHT OF MASONRY PIERS SHALL NOT EXCEED FOUR TIMES THEIR LEAST DIMENSION FOR UNFILLED HOLLOW CONCRETE MASONRY UNITS AND TEN TIMES THEIR LEAST DIMENSION FOR SOLID OR SOLID FILLED PIERS. PIERS MAY BE FILLED WITH CONCRETE OR TYPE N OR S MORTAR. PIERS AND WALLS SHALL BE CAPPED WITH 8" OF SOLID MASONRY.
- THE CENTER OF EACH OF THE PIERS SHALL BEAR IN THE MIDDLE THIRD OF ITS RESPECTIVE FOOTING. EACH GIRDER SHALL BEAR IN THE MIDDLE THIRD OF THE PIERS.
- ALL CONCRETE AND MASONRY FOUNDATION WALLS ARE TO BE CONSTRUCTED IN ACCORDANCE WITH THE PROVISIONS OF SECTION R404 OF THE NRC, 2018 EDITION OR IN ACCORDANCE WITH ACI 318, ACI 332, NCHA TR88-A OR ACE 530/ASCE 5/THS 402. MASONRY FOUNDATION WALLS ARE TO BE REINFORCED PER TABLE R404(11), R404(12), R404(13), OR R404(14) OF THE NRC, 2018 EDITION. CONCRETE FOUNDATION WALLS ARE TO BE REINFORCED PER TABLE R404(15) OF THE NRC, 2018 EDITION. STEP CONCRETE FOUNDATION WALLS TO 2 x 6 FRAMED WALLS AT 16" O.C. WHERE GRADE PERMITS (UNO).

This sealed page is to be used in conjunction with a full plan set engineered by J.S. Thompson Engineering, Inc. only. Use of this individual sealed page within architectural pages or shop drawings by others is a punishable offense under N.C. Statute, § 89C-23

### FRAMING NOTES

- ALL FRAMING LUMBER SHALL BE #2 GRF MINIMUM (Fb = 875 PSI, Fv = 375 PSI, E = 16,000,000 PSI) UNLESS NOTED OTHERWISE (UNO). ALL TREATED LUMBER SHALL BE #2 SPT MINIMUM (Fb = 875 PSI, Fv = 375 PSI, E = 16,000,000 PSI) UNLESS NOTED OTHERWISE (UNO).
- LAMINATED VENEER LUMBER (LVL) SHALL HAVE THE FOLLOWING MINIMUM PROPERTIES: Fb = 2600 PSI, Fv = 265 PSI, E = 19,000,000 PSI. LAMINATED STRAND LUMBER (LSL) SHALL HAVE THE FOLLOWING MINIMUM PROPERTIES: Fb = 2315 PSI, Fv = 310 PSI, E = 19,000,000 PSI. PARALLEL STRAND LUMBER (PSL) UP TO 1" DEPTH SHALL HAVE THE FOLLOWING MINIMUM PROPERTIES: Fc = 2500 PSI, E = 19,000,000 PSI. PARALLEL STRAND LUMBER (PSL) MORE THAN 1" DEPTH SHALL HAVE THE FOLLOWING MINIMUM PROPERTIES: Fc = 2300 PSI, E = 20,000,000 PSI. INSTALL ALL CONNECTIONS PER MANUFACTURER'S SPECIFICATIONS.
- STRUCTURAL STEEL SHALL CONFORM TO THE FOLLOWING ASTM SPECIFICATIONS
  - W AND UT SHAPES: ASTM A992
  - CHANNELS AND ANGLES: ASTM A36
  - PLATES AND BARS: ASTM A36
  - HOLLOW STRUCTURAL SECTIONS: ASTM A500 GRADE B
  - STEEL PIPE: ASTM A53, GRADE B, TYPE E OR S
- STEEL BEAMS SHALL BE SUPPORTED AT EACH END WITH A MINIMUM BEARING LENGTH OF 3 1/2" AND FULL FLANGE WIDTH (UNO). PROVIDE SOLID BEARING FROM BEAM SUPPORT TO FOUNDATION. BEAMS SHALL BE ATTACHED AT THE BOTTOM FLANGE TO EACH SUPPORT AS FOLLOWS (UNO):
  - WOOD FRAMING (2) 1/2" DIA. x 4" LONG LAG SCREWS
  - CONCRETE (2) 1/2" DIA. x 4" WEDGE ANCHORS
  - MASONRY (FULLY GROUTED) (2) 1/2" DIA. x 4" LONG SIMPSON ITEN HD ANCHORS
- LATERAL SUPPORT IS CONSIDERED ADEQUATE PROVIDING THE POSTS ARE TOE NAILED TO THE 2x NAILERS ON TOP OF THE STEEL BEAM AND THE 2x NAILER IS SECURED TO THE TOP OF THE STEEL BEAM w/ (2) ROWS OF SELF TAPPING SCREWS # 16" O.C. OR (2) ROWS OF 1/2" DIAMETER BOLTS # 16" O.C. IF 1/2" BOLTS ARE USED TO FASTEN THE NAILER, THE STEEL BEAM SHALL BE FABRICATED w/ (2) ROWS OF 3/16" DIAMETER HOLES # 16" O.C.
- SQUARES DENOTE POINT LOADS WHICH REQUIRE SOLID BLOCKING TO GIRDER OR FOUNDATION. SHAPED SQUARES DENOTE POINT LOADS FROM ABOVE WHICH REQUIRE SOLID BLOCKING TO SUPPORTING MEMBER BELOW.
- ALL LOAD BEARING HEADERS TO CONFORM TO TABLE R602(11) AND R602(12) OF THE NRC, 2018 EDITION OR BE (2) 2" x 6" WITH (1) JACK AND (1) KING STUD EACH END (UNO) UNLESS OTHERWISE NOTED. HEADERS TO BE SECURED TO EACH JACK STUD WITH (4) 8d NAILS. ALL BEAMS TO BE SUPPORTED WITH (2) STUDS AT EACH BEARING POINT (UNO). INSTALL KING STUDS PER SECTION R602(15) OF THE NORTH CAROLINA RESIDENTIAL CODE, 2018 EDITION.
- ALL BEAMS, HEADERS OR GIRDER TRUSSES PARALLEL TO WALL ARE TO BEAR FULLY ON (1) JACK OR (2) STUDS MINIMUM OR THE NUMBER OF JACKS OR STUDS NOTED. ALL BEAMS OR GIRDER TRUSSES PERPENDICULAR TO WALL AND SUPPORTED BY (3) STUDS OR LESS ARE TO HAVE 1/2" MINIMUM BEARING (UNO). ALL BEAMS OR GIRDER TRUSSES PERPENDICULAR TO WALL AND SUPPORTED BY MORE THAN (3) STUDS OR OTHER NOTED COLUMN ARE TO BEAR FULLY ON SUPPORT COLUMN FOR ENTIRE WALL DEPTH (UNO). BEAM ENDS THAT BUTT INTO ONE ANOTHER ARE TO EACH BEAR EQUAL LENGTHS (UNO).
- FLITCH BEAMS SHALL BE BOLTED TOGETHER USING 1/2" DIAMETER BOLTS (ASTM A307) WITH WASHERS PLACED AT THREADED END OF BOLT. BOLTS SHALL BE SPACED AT 24" CENTERS (MAXIMUM) AND STAGGERED AT TOP AND BOTTOM OF BEAM (2" EDGE DISTANCE) WITH (2) BOLTS LOCATED AT 6" FROM EACH END (UNO).
- ALL JOIST OR TRUSS LAYOUTS ARE TO BE IN COMPLIANCE WITH THE OVERALL DESIGN SPECIFIED ON THE PLANS. ALL DEVIATIONS ARE TO BE BROUGHT TO THE ATTENTION OF THE ENGINEER OF RECORD PRIOR TO INSTALLATION.
- BRACED WALL PANELS SHALL BE CONSTRUCTED ACCORDING TO THE NORTH CAROLINA RESIDENTIAL CODE 2018 EDITION WALL BRACING CRITERIA, THE AMOUNT, LENGTH, AND LOCATION OF BRACING SHALL COMPLY WITH ALL APPLICABLE TABLES IN SECTION R602(10).
- PROVIDE DOUBLE JOIST UNDER ALL WALLS PARALLEL TO FLOOR JOISTS. PROVIDE SUPPORT UNDER ALL WALLS PARALLEL TO FLOOR TRUSSES OR JOISTS PER MANUFACTURER'S SPECIFICATIONS. INSTALL BLOCKING BETWEEN JOISTS OR TRUSSES FOR POINT LOAD SUPPORT FOR ALL POINT LOADS ALONG OFFSET LOAD LINES.
- FOR ALL HEADERS SUPPORTING BRICK VENEER THAT ARE LESS THAN 8'-0" IN LENGTH, REST 4 1/2" x 4" x 5/16" STEEL ANGLE WITH 6" MINIMUM EMBEDMENT AT SIDES FOR BRICK SUPPORT (UNO). FOR ALL HEADERS 8'-0" AND GREATER IN LENGTH, BOLT 4 1/2" x 5/16" STEEL ANGLE TO HEADER WITH 1/2" LAG SCREWS AT 12" O.C. STAGGERED FOR BRICK SUPPORT. FOR ALL BRICK SUPPORT AT ROOF LINES, BOLT 1 1/2" x 4" x 5/16" STEEL ANGLE TO (2) 2" x 10" BLOCKING INSTALLED w/ (4) 10d NAILS PER PLT BETWEEN WALL STUDS WITH (2) ROWS OF 1/2" LAG SCREWS AT 12" O.C. STAGGERED AND IN ACCORDANCE WITH SECTION R403(2) OF THE NRC, 2018 EDITION.
- FOR STICK FRAMED ROOFS, CIRCLES DENOTE (3) 2 x 4 POSTS FOR ROOF MEMBER SUPPORT. HIP SPICES ARE TO BE SPACED A MINIMUM OF 8'-0". FASTEN MEMBERS WITH THREE ROWS OF 10d NAILS AT 16" O.C. FRAME DORMER WALLS ON TOP OF DOUBLE OR TRIPLE RAFTERS AS SHOWN (UNO).
- FOR TRUSSED ROOFS, FRAME DORMER WALLS ON TOP OF 2 x 4 LADDER FRAMING AT 24" O.C. BETWEEN ADJACENT ROOF TRUSSES. STICK FRAME OVER-FRAMED ROOF SECTIONS WITH 2 x 8 RIDGES, 2 x 6 RAFTERS AT 16" O.C. AND FLAT 2 x 10 VALLEYS (UNO).
- ALL 4 x 4 AND 6 x 6 POSTS TO BE INSTALLED WITH 100 LB CAPACITY UPLIFT CONNECTORS TOP AND BOTTOM (UNO). POSTS MAY BE SECURED USING ONE SIMPSON I-16 OR I-192 UPLIFT CONNECTOR FASTENED TO THE BAND AT THE BOTTOM AND THE BEAM AT THE TOP OF EACH POST. ONE 1/2" SECTION OF SIMPSON C506 COIL STRAPPING WITH (8) 8d HDG NAILS AT EACH END MAY BE USED IN LIEU OF EACH TUST STRAP IF DESIRED. FOR MASONRY OR CONCRETE FOUNDATION USE SIMPSON POST BASE.

