

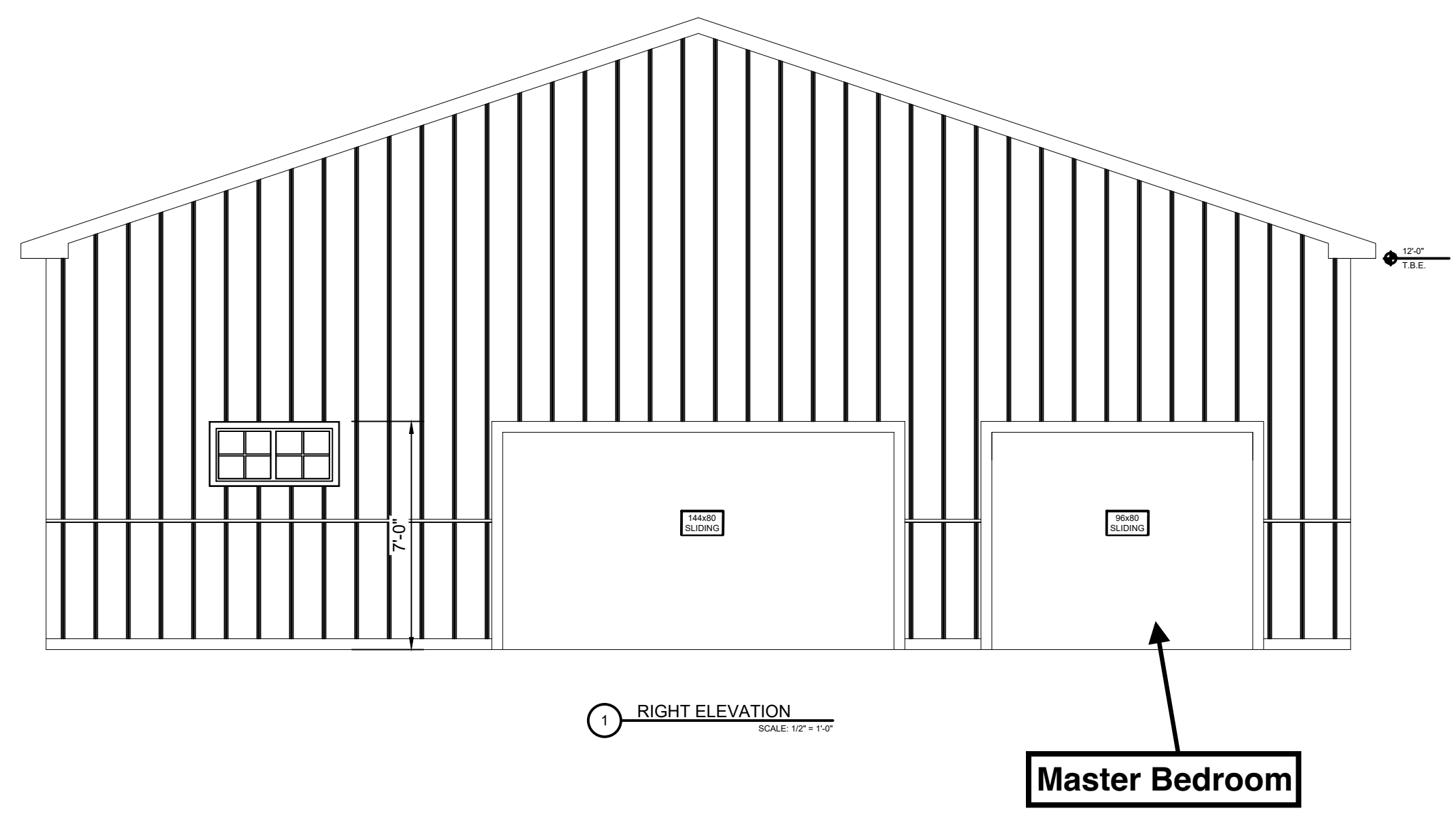
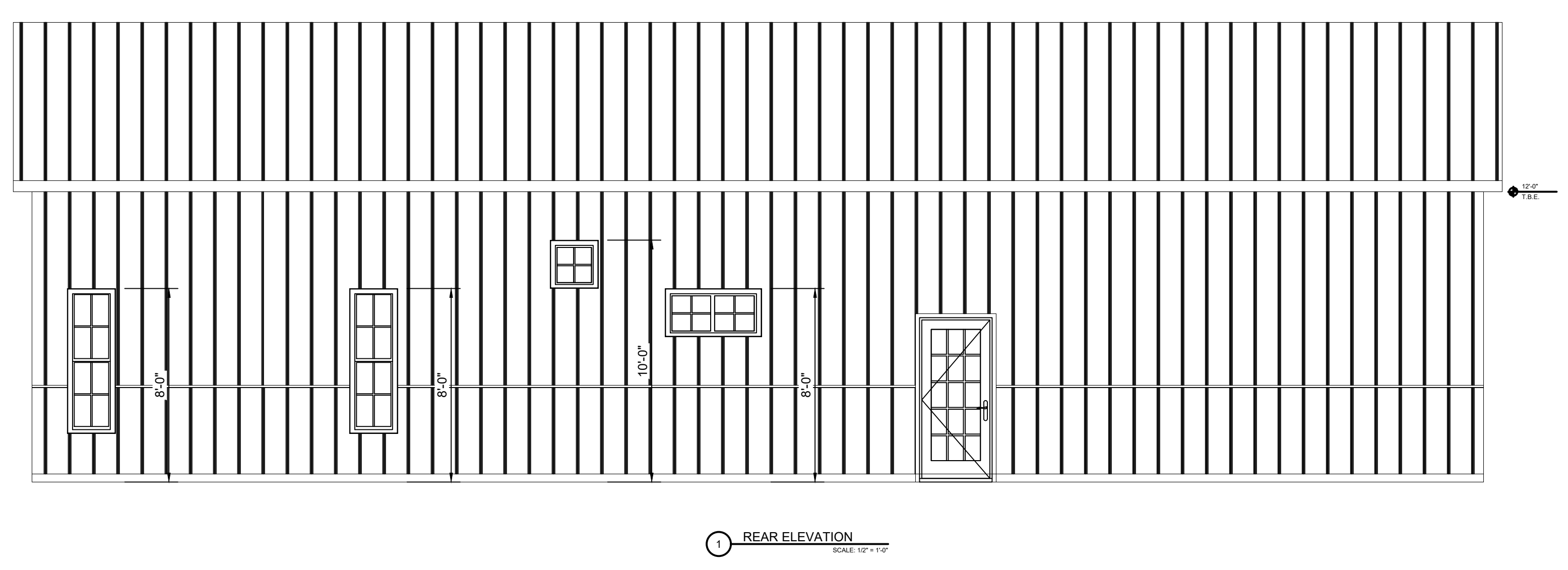
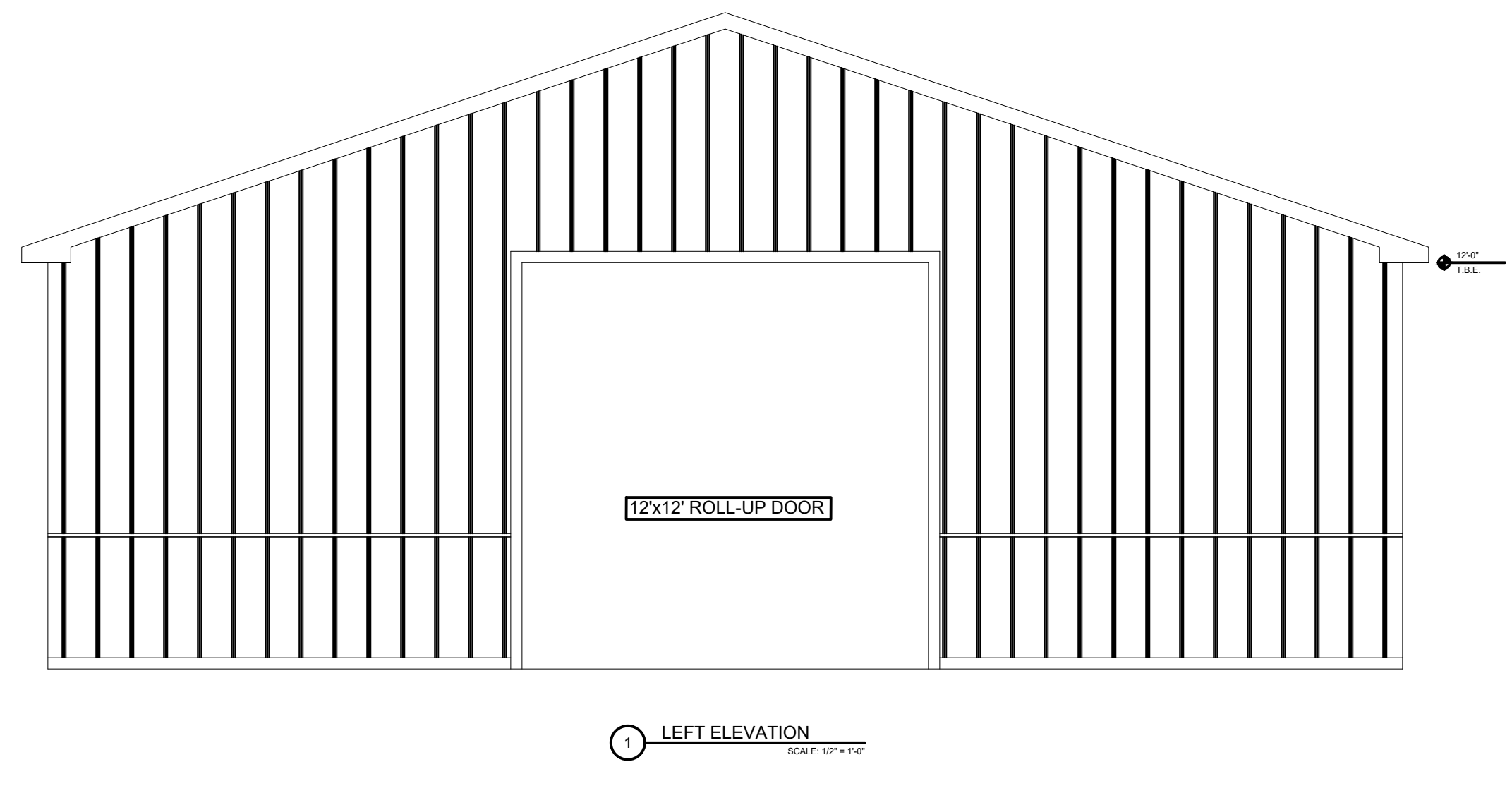
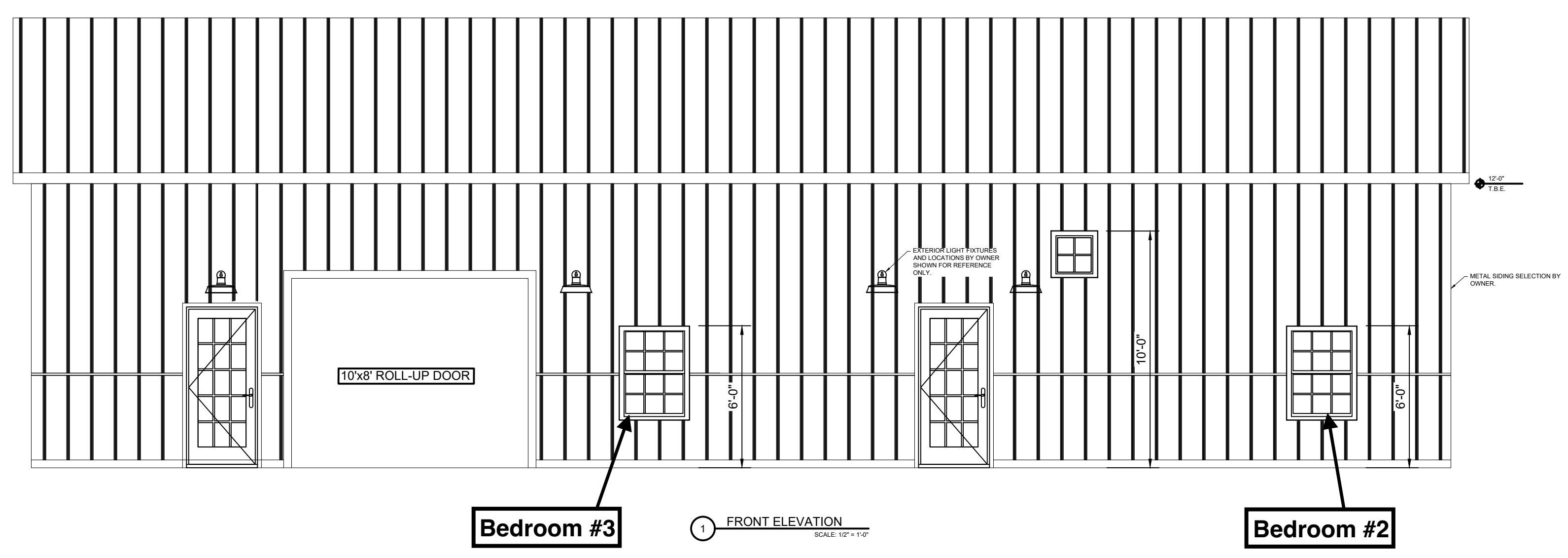
Project Name
**GIETZ RESIDENCE
2780 NORRINGTON RD.
LILLINGTON, NORTH CAROLINA**

Sheet Title
FOUNDATION PLAN

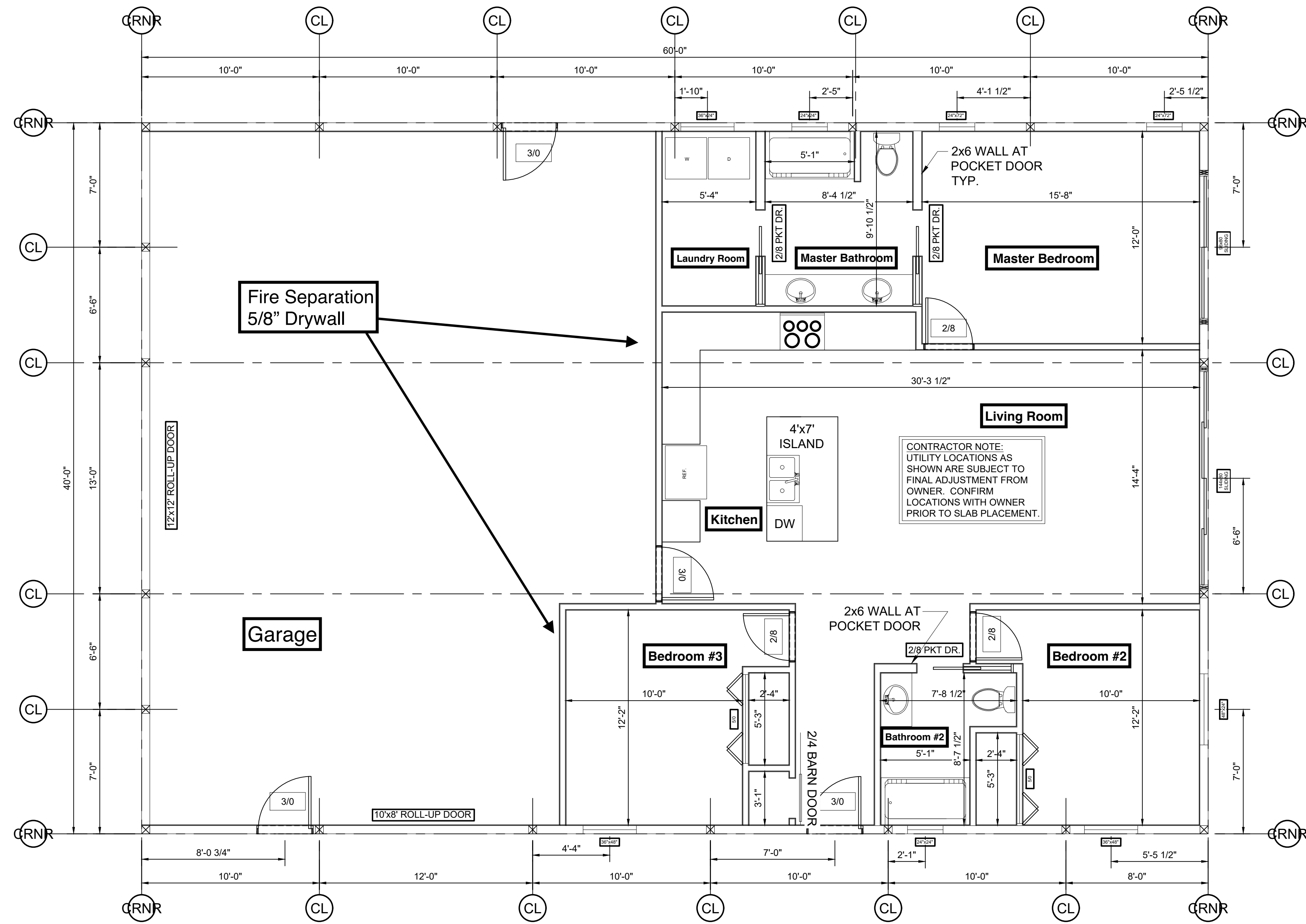
DESIGNED BY: **HMH**
DRAWN BY: **HMH**
APPROVED BY: **HMH**
PROJECT #: **-**
DATE: **02/27/22**

No.	Revision	Date

Sheet
S1.0



Master Bedroom

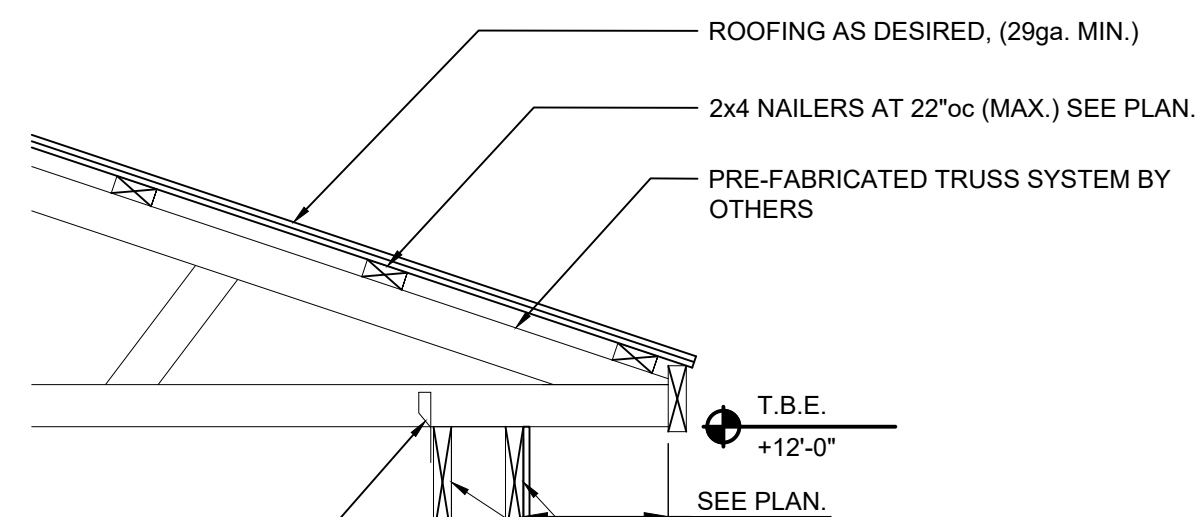


1 LAYOUT PLAN
SCALE: 1/4" = 1'-0"



DESIGNED BY:	HMH	
DRAWN BY:	HMH	
APPROVED BY:	HMH	
PROJECT #:	-	
DATE:	02/27/22	
No.	Revision	Date

Ownership of Instruments of Service: All reports, plans, specifications, computer files, field data, notes and instruments prepared by the design professional as instruments of service shall remain the property of the design professional. All common law, statutory and other reserved rights including the copyright therein.

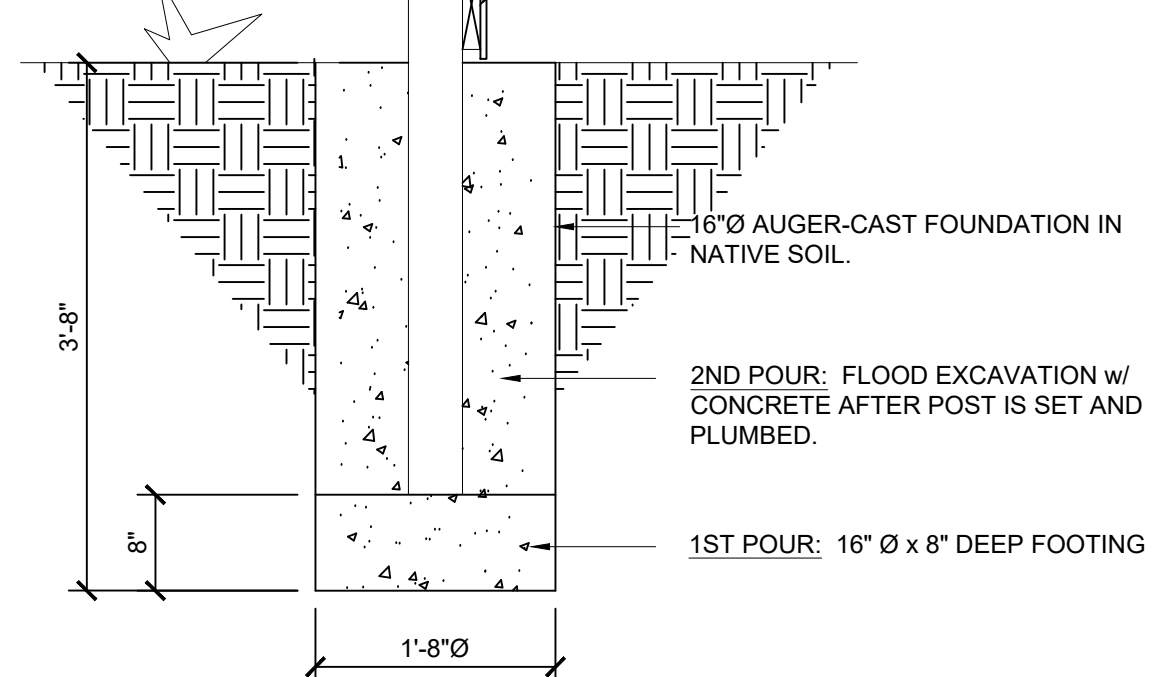


INSTALLER NOTE:
2X6 GUSSETS MAY BE INSTALLED BETWEEN GIRDERS AS A TRUSS HOLD-DOWN, (2-10d NAILS TO EACH FACE OF THE GIRDER, AND TO THE TRUSS BOTTOM CHORD), AS AN ALTERNATE TO PREFABRICATED HURRICANE TIES AT CONTRACTOR'S OPTION.

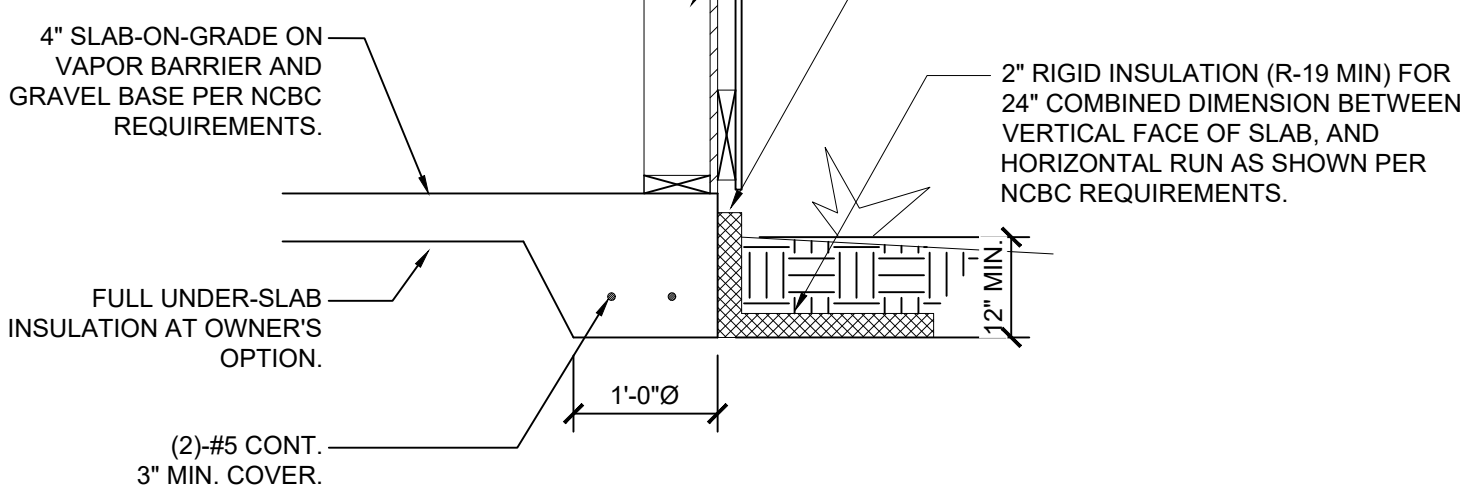
(2)-2x10 GIRDERS - (1) INSTALLED ON EA. FACE OF POST. ATTACH TO POST w/ (2)-5/16"x5"L LAG SCREWS (MIN.) EA. SIDE.

GIRDERS TO SPAN ACROSS (2) POSTS (MIN.) STAGGER SPLICES. SEE DETAIL 4/S1.0 FOR TYPICAL SPLICE DETAIL.

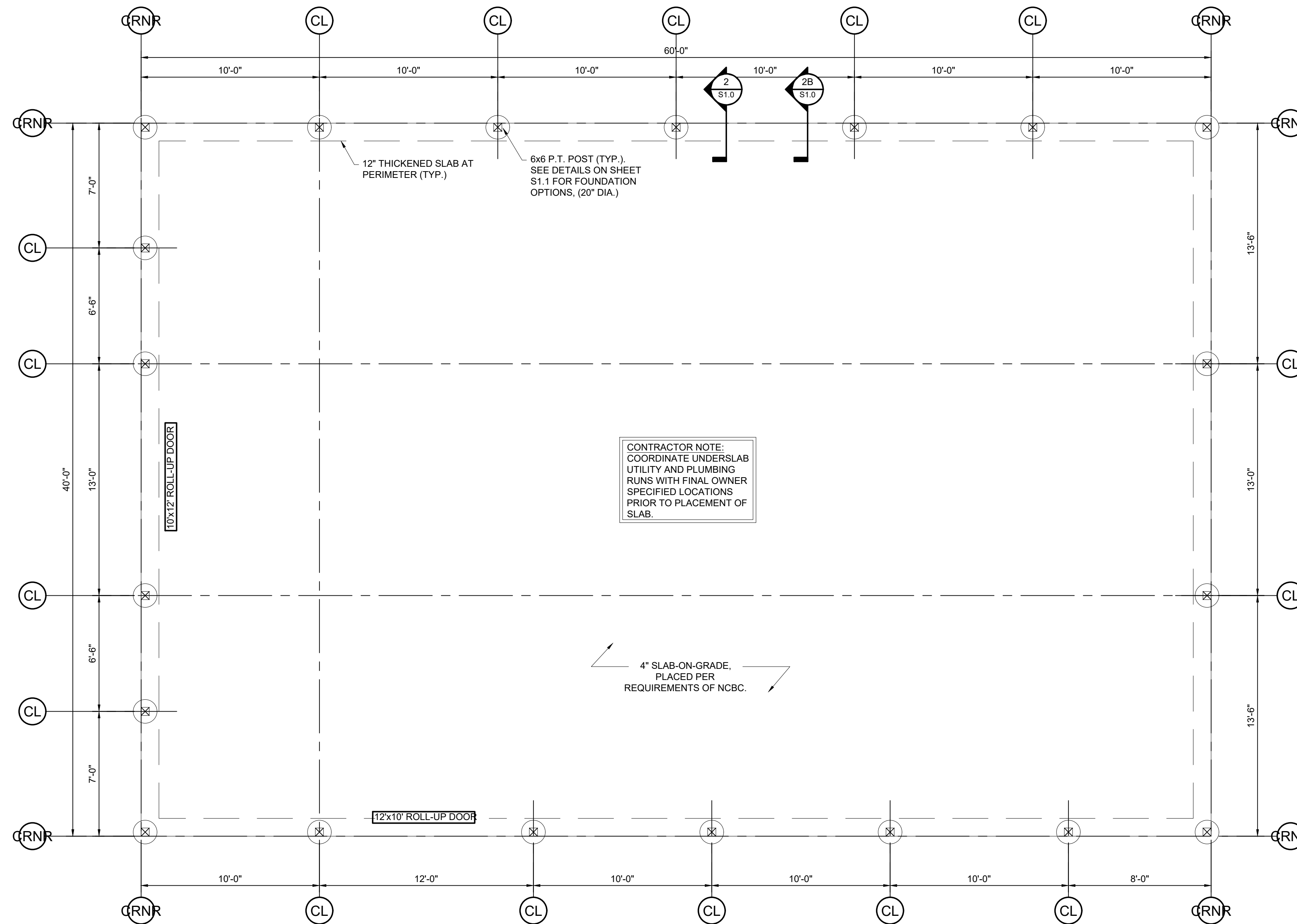
INSTALLER NOTE:
ICC TESTED/ APPROVED AND STAMPED WET-SET POST BASE (STURDI-WALL SWP66 OR EQUIVALENT) IS AN APPROVED ALTERNATE TO EMBEDDED POSTS AS SHOWN AT CONTRACTOR'S OPTION.
WET-SET POST BASE REQUIRES A MINIMUM OF A 20"Ø x 40" DEEP FOOTING.



2 SECTION - POLE BARN WALL FRAMING
SCALE: 3/4" = 1'-0"



2B SECTION - PERIMETER SLAB ON GRADE
SCALE: 3/4" = 1'-0"



1 FOUNDATION PLAN
SCALE: 1/4" = 1'-0"

CONSTRUCTION SUMMARY
LOCATION: 2780 NORRINGTON RD, LILLINGTON, NC 27546 (HARNETT CO.)
SQUARE FOOTAGE: ENCLOSED RESIDENCE: 1247 SQ. FT.
TOTAL AREA UNDER ROOF: 2309 SQ. FT.

DESIGN CODES:
2018 NORTH CAROLINA STATE BUILDING CODE

DESIGN LOADS:
THE STRUCTURAL SYSTEM FOR THIS BUILDING HAS BEEN DESIGNED WITH THE FOLLOWING SUPERIMPOSED LOADINGS:

DESIGN LIVE LOADS:
ROOF: 20 psf
WIND: BASIC WIND SPEED (3 SEC GUST): 100 mph
EXPOSURE CATEGORY: B
IMPORTANCE FACTOR: 1.0

BRACED WALL METHOD: POST/FRAME (POLE BARN)

FOUNDATIONS:
FOUNDATIONS ARE DESIGNED FOR AN ALLOWABLE SOIL BEARING PRESSURE OF 2,000 psf. ON EXISTING SOILS. BEFORE CONSTRUCTION COMMENCES, SOIL BEARING CAPACITY SHALL BE VERIFIED BY A SUBSURFACE INVESTIGATION.

CONCRETE MATERIAL SPECIFICATIONS:
CONCRETE COMPRESSIVE STRENGTH: 3000 psi (28 DAY STRENGTH)
CEMENT: TYPE III
AIR ENTRAINMENT: 5% - 7% IF EXPOSED TO WEATHER OR EARTH
REINFORCING STEEL: ASTM A615, GRADE 60
WELDED WIRE FABRIC: ASTM A185
ANCHOR BOLTS: GRADE A36
CLASS B SPLICE LENGTH: GREATER OF 48 BAR DIAMETERS OR 24 INCHES

WOOD MATERIAL SPECIFICATIONS:
STRUCTURAL WOOD:
SPRUCE-PINE-FIR (SPF) OR SOUTHERN YELLOW PINE (SYP) NO. 2 OR BETTER.
MODULUS OF ELASTICITY (E): 1,300,000 PSI
BENDING (F_b): 850 PSI
SHEAR (F_v): 75 PSI
PRESSURE TREATING: AITC-109
WOOD FASTENERS: 2003 I.B.C. (TABLE 2304.9.1) U.N.O.
LVL BEAMS:
MODULUS OF ELASTICITY (E): 1,900,000 PSI
BENDING (F_b): 2,600 PSI
SHEAR (F_v): 285 PSI

HM Hendrick Enterprises, INC.
612 VALLEY RD. SANFORD, NC 27330
(919) 427-0501



GIETZ RESIDENCE
2780 NORRINGTON RD.
LILLINGTON, NORTH CAROLINA

FOUNDATION PLAN

DESIGNED BY:	HMH	
DRAWN BY:	HMH	
APPROVED BY:	HMH	
PROJECT #:	-	
DATE:	02/27/22	
No.	Revision	Date

Sheet
S1.0



GIETZ RESIDENCE
 2780 NORRINGTON RD.
 LILLINGTON, NORTH CAROLINA

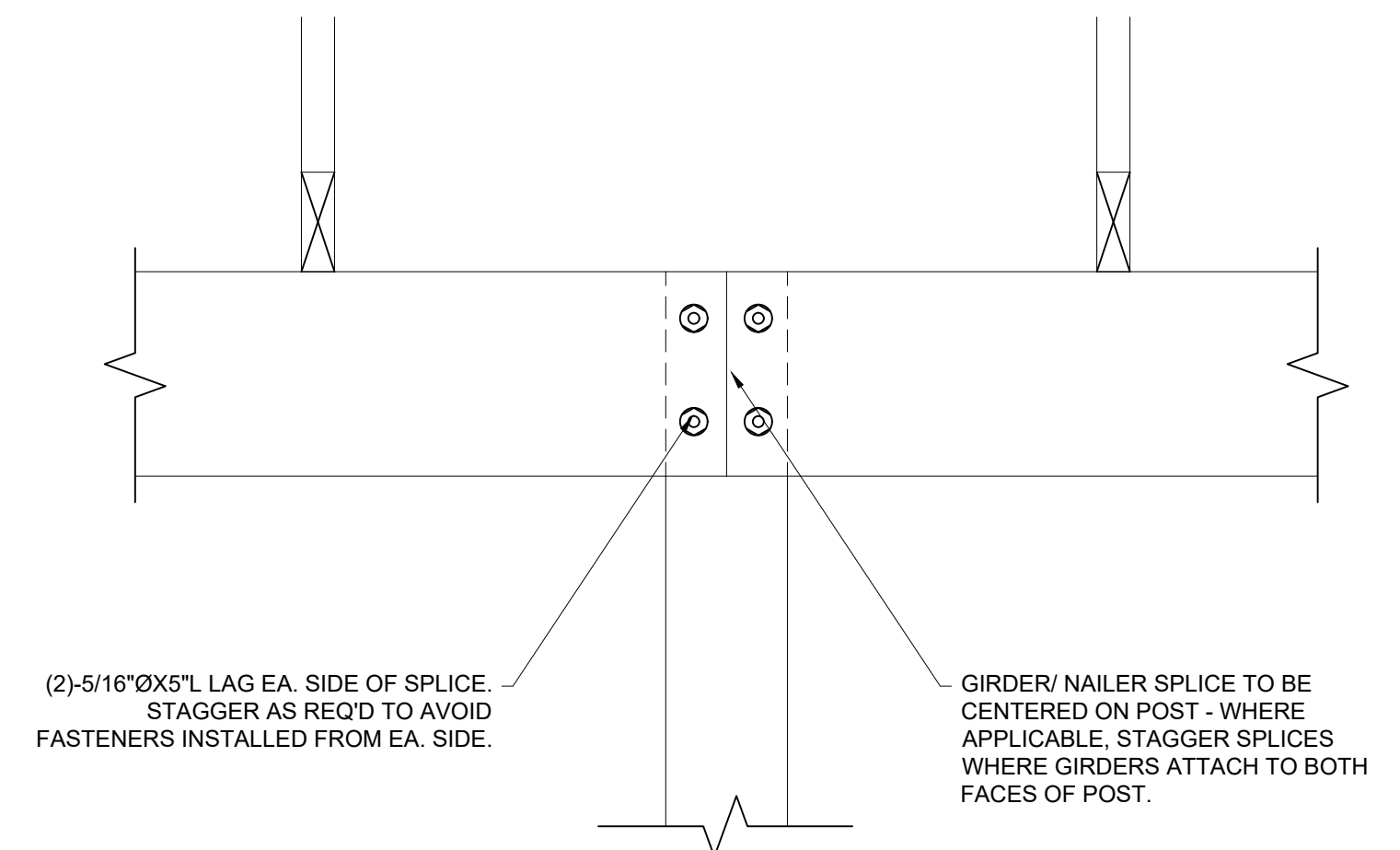
FRAMING PLAN AND DETAILS

Sheet Title

DESIGNED BY:	HMH	
DRAWN BY:	HMH	
APPROVED BY:	HMH	
PROJECT #:	-	
DATE:	02/27/22	
No.	Revision	Date

Sheet

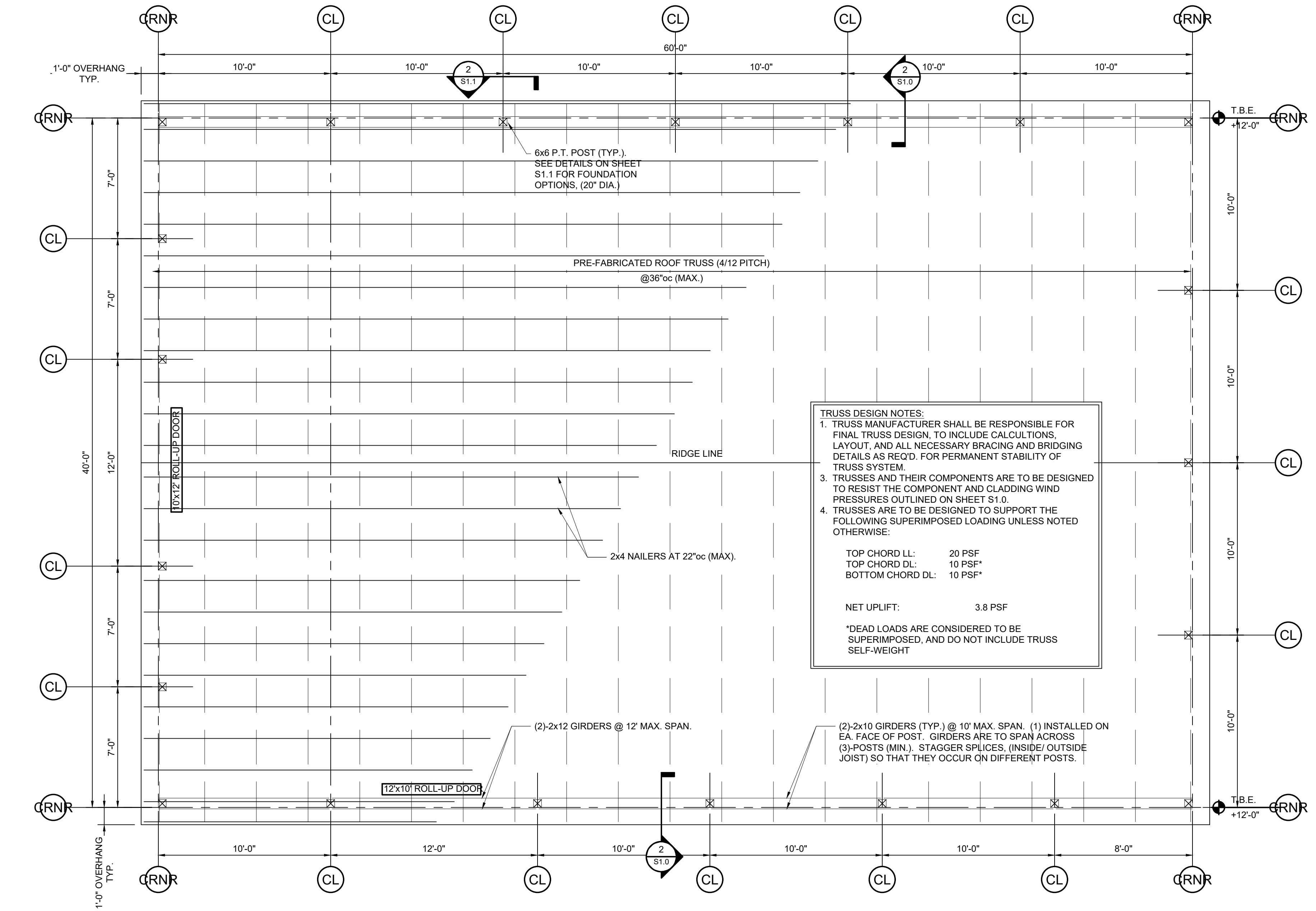
S1.1



(2)-5/16"ØX5" L LAG EA. SIDE OF SPLICE. STAGGER AS REQ'D TO AVOID FASTENERS INSTALLED FROM EA. SIDE.

GIRDER/ NAILER SPLICE TO BE CENTERED ON POST - WHERE APPLICABLE. STAGGER SPLICES WHERE GIRDERS ATTACH TO BOTH FACES OF POST.

2 GIRDER SPLICE DETAIL
 SCALE: 1-1/2" = 1'-0"



TRUSS DESIGN NOTES:

1. TRUSS MANUFACTURER SHALL BE RESPONSIBLE FOR FINAL TRUSS DESIGN, TO INCLUDE CALCULATIONS, LAYOUT, AND ALL NECESSARY BRACING AND BRIDGING DETAILS AS REQ'D. FOR PERMANENT STABILITY OF TRUSS SYSTEM.
2. TRUSSES AND THEIR COMPONENTS ARE TO BE DESIGNED TO RESIST THE COMPONENT AND CLADDING WIND PRESSURES OUTLINED ON SHEET S1.0.
3. TRUSSES ARE TO BE DESIGNED TO SUPPORT THE FOLLOWING SUPERIMPOSED LOADING UNLESS NOTED OTHERWISE:
 TOP CHORD LL: 20 PSF
 TOP CHORD DL: 10 PSF
 BOTTOM CHORD DL: 10 PSF
4. NET UPLIFT: 3.8 PSF

*DEAD LOADS ARE CONSIDERED TO BE SUPERIMPOSED, AND DO NOT INCLUDE TRUSS SELF-WEIGHT

(2)-2x10 GIRDERS (TYP.) @ 10' MAX. SPAN. (1) INSTALLED ON EA. FACE OF POST. GIRDERS ARE TO SPAN ACROSS (3)-POSTS (MIN.). STAGGER SPLICES, (INSIDE/ OUTSIDE JOIST) SO THAT THEY OCCUR ON DIFFERENT POSTS.

1 ROOF FRAMING PLAN
 SCALE: 1/4" = 1'-0"