

FOUNDATION NOTES:
 ALL FOOTINGS SHALL BEAR ON ORIGINAL UNDISTURBED SOIL.
 THE 28 DAY COMPRESSIVE STRENGTH OF ALL FOOTINGS IS 3000 PSI

PROVIDE WATER PROOFING AND PERIMETER DRAINS AS REQUIRED.

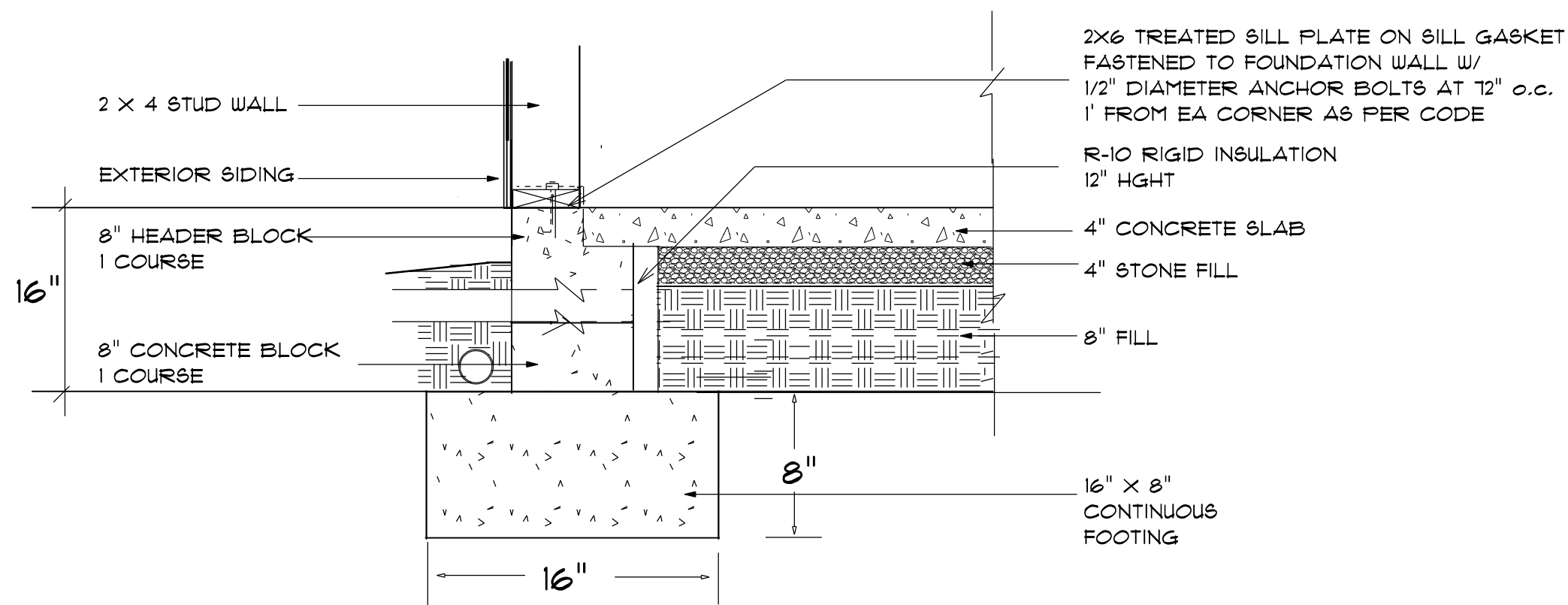
FOUNDATION CONCRETE MIX TO HAVE 1-1/2" MAX AGGREGATE SIZE. CONCRETE FILL MIX TO HAVE 1/2" MAX AGGREGATE SIZE.

FOOTING WIDTHS ARE BASED ON A LOAD-BEARING SOIL CAPACITY OF 2000 PSI.

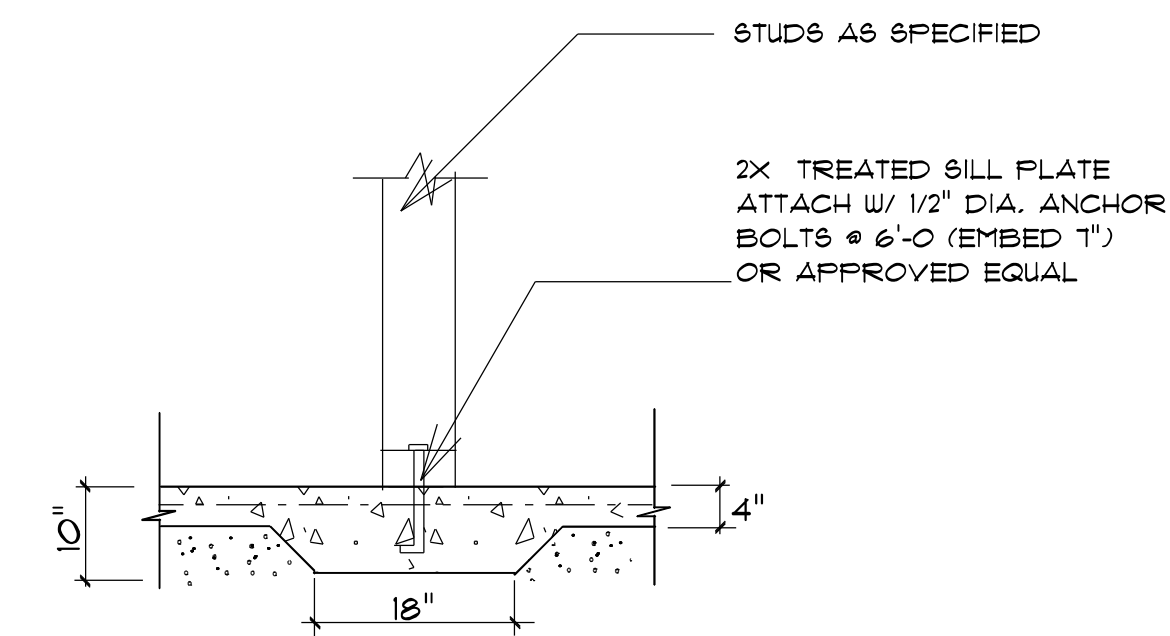
PROVIDE 6 MIL POLY VAPOR BARRIER TO COVER GROUND SURFACE IN CRAWL SPACE

ALL ANCHOR BOLTS TO BE 12" LONG, 1/2" DIA. A36 UNO ANCHOR BOLTS SHALL BE 8" SPACE AT A MAX OF 6' OC AND NO MORE THAN 1' FROM EA CORNER.

Termite Soil Treatment: Treat entire slab area soil or crawl space surface before vapor barrier is installed and slab is poured with a state approved termiticide. Termiticide should be applied by a licensed and certified pest control professional by the state of North Carolina.



STEM WALL FOUNDATION Detail
 not to scale



TYPICAL THICKENED SLAB
 not to scale

PROVIDE EXPANSION JOINTS AT THE EDGES OF SLABS THAT ARE NOT HEATED OR THAT ARE EXPECTED TO CHANGE TEMPERATURE SIGNIFICANTLY OVER THEIR LIFETIMES

ALSO PROVIDE EXPANSION JOINTS TO ISOLATE BUILDING ELEMENTS THAT PENETRATE SLABS SUCH AS STRUCTURAL COLUMNS, WALLS, OR PLUMBING

CONTROL JOINTS
 PROVIDE CONTROL JOINTS TO INDUCE CRACKING AT SELECTED LOCATIONS -- TROWEL OR CUT JOINTS INTO THE SURFACE OF SLABS TO ABOUT 1/4 OF THE SLAB DEPTH AND AT 20 FT. INTERVALS -- COLD JOINTS CAN ACT AS CONTROL JTS

WELDED WIRE MESH OR REBAR REINFORCEMENT

4" MINIMUM CONCRETE SLAB

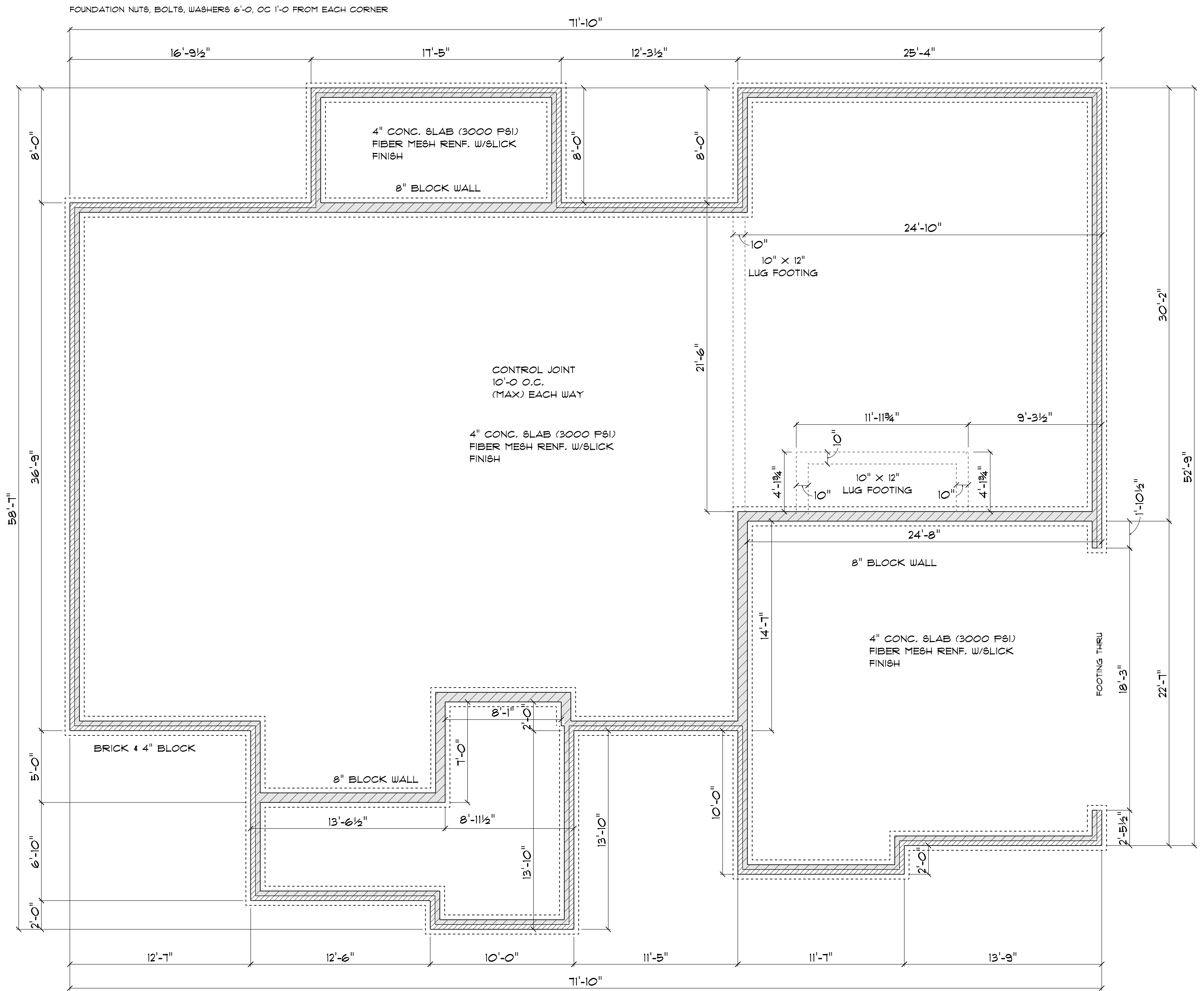
6 MIL POLYETHYLENE CONCRETE RATED MOISTURE BARRIER

4" MIN. COMPACTED GRAVEL -- GRAVEL MUST BE CLEAN AND FREE FROM ORGANIC MATTER

SOIL MUST BE SOLID AND FREE OF ORGANIC MATERIAL -- SOME SOILS REQUIRE COMPACTION -- IN TERMITE AREAS THE SOIL MAY REQUIRE CHEMICAL TREATMENT -- CONTRACTOR TO VERIFY COMPACTION AND SOIL TREATMENT REQUIREMENTS OF LOCAL AREA

CONCRETE SLAB DETAILS / NOTES

not to scale



FOUNDATION PLAN

SCALE: 1/4"