

TrueHomes

IT'S ALL ABOUT U

TrueHomes
IT'S ALL ABOUT U
2649 Breckridge Centre Dr.
Suite 104
Monroe, N.C. 28110
704-271-1191

HEADER SCHEDULE

ALL INTERIOR BEARING AND EXTERIOR WALLS

- SPANS UP TO 3'-6" -- (2) 2x8's
- SPANS 3'-6" TO 6'-6" -- (2) 2x10's
- SPANS 6'-6" OR MORE -- SEE PLAN

**** SOUTH CAROLINA SPECIFIC NOTE ****
ALL OPENINGS IN THERMAL ENVELOPE MUST HAVE INSULATED HEADER PER CODE

EXTERIOR HINGED DOOR SCHEDULE

DOOR WIDTH		DOOR HEIGHT R.O.		
PLAN I.D.	R.O. WIDTH	8FT CEILING	9FT CEILING	10FT CEILING
3/0	3'-2 1/2"	82-1/2"	82-1/2"	98-1/2"
2/8	2'-10 1/2"			
5/0	5'-3 5/8"			
5/4	5'-7 5/8"			
6/0	6'-3 5/8"			
SLIDING PATIO DOORS				
5/0	60-1/8"	80-1/2"	80-1/2"	96-1/2"
6/0	72-1/8"	80-1/2"	80-1/2"	96-1/2"

INTERIOR HINGED DOOR SCHEDULE

DOOR WIDTH		DOOR HEIGHT R.O.		
PLAN I.D.	R.O. WIDTH	8FT CEILING	9FT CEILING	10FT CEILING
1/4	1'-6"	82-1/2" NOMINAL DOOR HEIGHT + 2-1/2"	82-1/2" NOMINAL DOOR HEIGHT + 2-1/2"	98-1/2" NOMINAL DOOR HEIGHT + 2-1/2"
1/6	1'-8"			
1/8	1'-10"			
2/0	2'-2"			
2/4	2'-6"			
2/6	2'-8"			
2/8	2'-10"			
2/10	3'-0"			
3/0	3'-2"			
4/0	4'-2"			
5/0	5'-2"	(6'-8" NOMINAL DOOR HEIGHT + 2-1/2")	(6'-8" NOMINAL DOOR HEIGHT + 2-1/2")	(8'-0" NOMINAL DOOR HEIGHT + 2-1/2")
6/0	6'-2"			

◊ EXTERIOR DOOR ○ INTERIOR DOOR

INTERIOR PASS THRU SCHEDULE

FRAMED OPENING DIMENSIONS		
WALL HEIGHT	R.O. WIDTH	R.O. HEIGHT
8'-1 1/8"	PLAN I.D. + 2"	82-1/2"
9'-1 1/8"	PLAN I.D. + 2"	94-1/2"
10'-1 1/8"	PLAN I.D. + 2"	98-1/2"

ROUGH OPENING HEIGHTS ARE FOR DO, CO, & AO OPENINGS. SHIM HEIGHTS AS NEEDED TO MATCH INTERIOR HINGED DOOR CASING

INTERIOR DOORWAY OPENINGS:
DO = DRYWALL OPENING
CO = CASING OPENING
AO = ARCHED OPENING

GENERAL NOTES

- PLANS PERMITTED IN NORTH CAROLINA ARE DESIGNED TO MEET THE 2018 NORTH CAROLINA RESIDENTIAL BUILDING CODE, AS ISSUED BY THE STATE OF NORTH CAROLINA, AND PLANS PERMITTED IN SOUTH CAROLINA DESIGNED TO MEET 2018 INTERNATIONAL RESIDENTIAL BUILDING CODE AS ISSUED BY THE STATE OF SOUTH CAROLINA, WITH MODIFICATIONS AS REQUIRED TO MEET LOCAL BUILDING CODES FOR EACH APPLICABLE JURISDICTION.
- DO NOT SCALE DIMENSIONS FROM PRINTS. USE DIMENSIONS GIVEN OR CONSULT ARCHITECTURAL SERVICES DEPARTMENT FOR FURTHER CLARIFICATION.
- ALL DIMENSIONS ARE FROM WALL FRAMING (FACE OF STUD), NO FINISHED DIMENSIONS ARE GIVEN U.N.O.
- PROVIDE 2 STUDS BETWEEN ALL WINDOWS.(TYP)
- ACCESS DOORS BETWEEN HOUSE AND GARAGE AREAS TO BE 20-MINUTE FIRE RATED.
- ALL INTERIOR NON-LOAD BEARING WALLS TO BE 2x4 STUDS @ 24" O.C. (U.N.O.). OR AS SPECIFIED PER COMMUNITY SPECS & MUNICIPALITY REQUIREMENTS.
- ALL STRUCTURAL FRAMING LUMBER EXPOSED DIRECTLY TO THE WEATHER OR BEARING DIRECTLY ON MASONRY OR CONCRETE SHALL BE TREATED. ALL WOOD IN CONTACT WITH THE GROUND MUST BE GROUND-CONTACT APPROVED. ALL WOOD EXPOSED DIRECTLY TO THE WEATHER SHALL BE PROTECTED TO PREVENT THE OCCURRENCE OF ROT.
- ALL ANGLED WALLS ARE AT 45 DEGREES UNLESS NOTED OTHERWISE.
- REFER TO QUALITY STANDARDS AND/OR MANUFACTURER SPECS FOR WINDOW ROUGH OPENING SIZES. SEE ELEVATIONS FOR WINDOW HEADER HEIGHTS (U.N.O.).
- PROVIDE BLOCKING ABOVE WINDOWS AND DOORS 16" O.C.
- PROVIDE EXTRA STUDS AS INDICATED AT BEAM BEARING LOCATIONS.
- WALLS TO BE FRAMED WITH STUDS AT 16" O.C. AT KITCHEN WALLS WITH CABINETS AND AT TUB/SHOWER LOCATIONS (PER MANUF.).
- ALL COMMON CEILING BETWEEN GARAGE TO HOUSE PROVIDE 5/8" TYPE X GWB PER GARAGE SEPARATION REQUIREMENTS PER CODE. ALL JOINTS TO BE TAPED & MUDDER FOR FIRE SEPARATION. ALL STRUCTURES SUPPORTING FLOOR/CEILING ASSEMBLIES USED FOR SEPARATION REQUIRE NOT LESS THAN 1/2" GYP OR EQ. PER SECTION R302.6
- SEPARATE GARAGE FROM ATTIC WITH 5/8" TYPE X GWB SCUTTLE MINIMUM AND 2X SCUTTLE FRAMING MATERIAL.
- HEEL HEIGHTS: SEE ELEVATIONS SHEETS FOR TOP OF FASCIA DIMENSIONS TO GATHER PROPER HEEL HEIGHT REQUIREMENTS.
- PROVIDE AND INSTALL LOCALLY CERTIFIED SMOKE DETECTORS AND CARBON MONOXIDE DETECTORS AS REQUIRED BY NATIONAL FIRE PROTECTION ASSOCIATION AND MEETING THE REQUIREMENTS OF ALL GOVERNING CODES AND PER MANUFACTURER SPECS.
- STAIR TREAD DESIGN TO BE VERIFIED WITH SELECTIONS AND PO'S.
- PROVIDE 1 1/2" FLAT WALL FRAMING FOR ALL HVAC CHASES UNLESS NOTED OTHERWISE. SEE FRAMING SHEET GN FOR ADDITIONAL NOTES PER LOCAL CODES.
- FOR TRADITIONS, ELEMENTS, INTEGRITY, AND TRIBUTE SERIES, DOORS SHOULD BE LOCATED 4" OFF ADJACENT WALLS OR CENTERED IN THE WALL UNLESS NOTED OTHERWISE. DESIGNER SERIES SHOULD BE LOCATED 6" OFF ADJACENT WALLS OR CENTERED IN THE WALL UNLESS NOTED OTHERWISE.
- ALL HOMES TREATED WITH BORA-CARE TERMITE TREATMENT.
- SMURF DOORS ARE 21 1/2" x 39" NOMINAL (R.O. 22 1/2" x 40").
- SHEATH WALLS AND CEILINGS w/ OSB PER SPECS. IN FURN. ROOM LOCATIONS
- ALL PLANS ARE GENERATED WITH THE AID OF A COMPUTER AIDED DRAFTING SYSTEM.
- DIMENSION AND NOTATIONS ON PLANS HAVE PREFERENCE OVER GRAPHIC DEPICTIONS AND SHOULD BE UTILIZED TO SETTLE ANY DISCREPANCIES - ANY DISCREPANCIES FOUND SHOULD BE FORWARDED TO THE ARCHITECTURAL SERVICES DEPARTMENT FOR RESOLUTION.
- TYPICAL FOUNDATION AND ENGINEERING CONSTRUCTION DETAILS ARE SHOWN IN RESPECTIVE PLANS. TYPICAL DETAILS SHALL APPLY TO ALL SITUATIONS OCCURRING ON THE PLAN THAT ARE THE SAME OR SIMILAR TO THOSE SPECIALLY DETAILED. THE APPLICABILITY OF THE DETAIL TO ITS LOCATION ON THE DRAWINGS CAN BE DETERMINED BY THE TITLE OF THE DETAIL. SUCH DETAILS SHALL APPLY WITH OR NOT THEY ARE REFERENCED AT EACH LOCATION.
- ALL CONSTRUCTION SPECIFICATION NOT COVERED ON THIS SHEET, OR IN PLAN SETS AND GENERAL SPECIFICATIONS, ARE TO MEET ALL APPLICABLE STATE AND LOCAL BUILDING CODES.
- HOUSE CONSTRUCTION IS TYPICAL 2X4 STUDS AT 16" O.C. AT ALL EXTERIOR WALLS UNLESS OTHERWISE NOTED. WALLS THAT ARE TO BE BALLOON FRAMED OR CONSTRUCTED WITH 2X6 STUDS WILL BE NOTED AS SUCH. ALL BASEMENT FRAMED WALLS TO BE 2X4 STUDS FOR ONE-STORY PLANS AND 2X6 STUDS FOR LOAD BEARING WALLS ON TWO-STORY PLANS UNLESS OTHERWISE NOTED.
- PLANS ARE GENERATED FROM A COMMON GRAPHIC DATABASE WITH MODIFICATIONS AS REQUIRED TO ADAPT PLANS TO LOCAL BUILDING CONDITIONS AND SPECS FOR EACH LOCALITY.
- TRUE HOMES RESERVES THE RIGHT TO MAKE MODIFICATIONS TO FLOOR PLANS, DIMENSIONS, MATERIALS, AND SPECIFICATIONS WITHOUT NOTICE. THESE DRAWINGS ARE FOR THE PURPOSE OF CONVEYING AN ARCHITECTURAL CONCEPT ONLY.

RALEIGH DESIGN CRITERIA

- DESIGN LOADS ARE ALL DEAD LOADS PLUS:
 - SLEEPING ROOMS.....30 PSF
 - ALL OTHER FLOORS.....40 PSF
 - BALCONIES.....40 PSF
 - ATTIC FLOOR LIVE LOADING WITH THE FOLLOWING:
 - AREA ACCESSIBLE BY STAIRS.....40 PSF
 - ROOF SLOPES >3:12.....20 PSF
 - ROOF SLOPES <3:12.....10 PSF
 - ROOF LIVE LOAD.....20 PSF
 - WIND LOAD.....115 MPH
 - SNOW LOAD.....20 PSF
 - SEISMIC ZONE.....B
 - DESIGN IS COMPLIANT WITH 2018 NCRC ENERGY CODE N1102.2 PRESCRIPTIVE FOR CLIMATE ZONE 4A

REVISION LOG

1. DATE:	DRAWN BY:
2. DATE:	DRAWN BY:
3. DATE:	DRAWN BY:
4. DATE:	DRAWN BY:

THE 'KIPLING'

WALKER GROVE

LOT # 7

193 WALKER GROVE LN,
LILLINGTON, NC 27546

COMMUNITY SPECS

- MONO FOUNDATION
- VINYL SIDING / VINYL SOFFIT
- 2 CAR GARAGE

SQUARE FOOTAGE

FIRST FLOOR	1212 SQ.FT.
SECOND FLOOR	1608 SQ.FT.
TOTAL LIVABLE	2820 SQ.FT.
FRONT COVERED PORCH	155 SQ.FT.
3-CAR GARAGE	685 SQ.FT.
REAR COVERED PORCH	140 SQ.FT.
OVERALL HT. (FF to Ridge)	31'- 3 1/2"
PLATE HEIGHT(s)	9' / 8'

ELEMENTS

HELP HOTLINES

"WHEN IN DOUBT, GIVE US A SHOUT"

TRUE BUILDER:
(To be filled in by Builder on site)

NAME: _____

NUMBER: _____

ARCHITECTURAL SERVICES:

- Missing or Conflicting Dimensions
- Plan Legibility
- Missing Options

Mon-Fri: 8am - 5pm
CHARLOTTE MKTS: 704-681-2032
ALL OTHER MKTS: 704-993-1861
E-mail: CADISSUE@truehomesusa.com

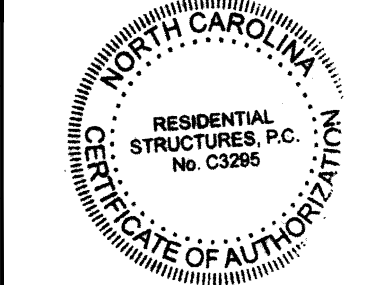
ESTIMATING:

- Missing Material or Shortage
- Purchase Order Questions

Mon-Fri: 8am - 5pm
ALL MKTS: 704-681-4916

TABLE OF CONTENTS

CS	COVER SHEET
A2.1	FIRST FLOOR PLAN
A2.2	SECOND FLOOR PLAN
A3.1	FRONT & SIDE ELEVATIONS
A3.2	REAR & SIDE ELEVATIONS
A4.1	STAIR SECTIONS
E1.1	FIRST FLOOR ELECTRICAL PLAN
E1.2	SECOND FLOOR ELECTRICAL PLAN
S1	FOUNDATION PLAN
S2.1	FIRST FLOOR FRAMING
S3.1	ROOF FRAMING PLAN
GN	GENERAL STRUCTURAL NOTES
ST-1	STEEL BEAM DETAILS
D1	TYP. FOUNDATION DETAILS
D3	TYP FLASHING DETAIL
D4	TYP. PORTAL FRAME DETAIL - PFH
D5	TYP FIREPLACE DETAILS
D5.1	TYP STAIR DETAILS
D5.2	TYP STAIR DETAILS
D5.3	TYP STAIR DETAILS
D9	TYP CORNICE DETAILS
D10	TRIM DETAILS
D10.1	CANOPY DETAILS
D11	TRIM DETAILS



RESIDENTIAL STRUCTURES, PC
3410 N. Davidson St.
Charlotte, N.C. 28205
Seal For Structural Only

UPGRADED ELEVATION

ORIGINAL CONTRACT ID#: XXXXX

WALKER GROVE

LOT# 7

KIPLING
2813

HARNETT

Copyright True Homes L.L.C. All rights reserved. The duplication, reproduction, copying, sale, rental, licensing, or any other distribution or use of these drawings, any portion thereof, or the plans depicted herein is strictly prohibited.

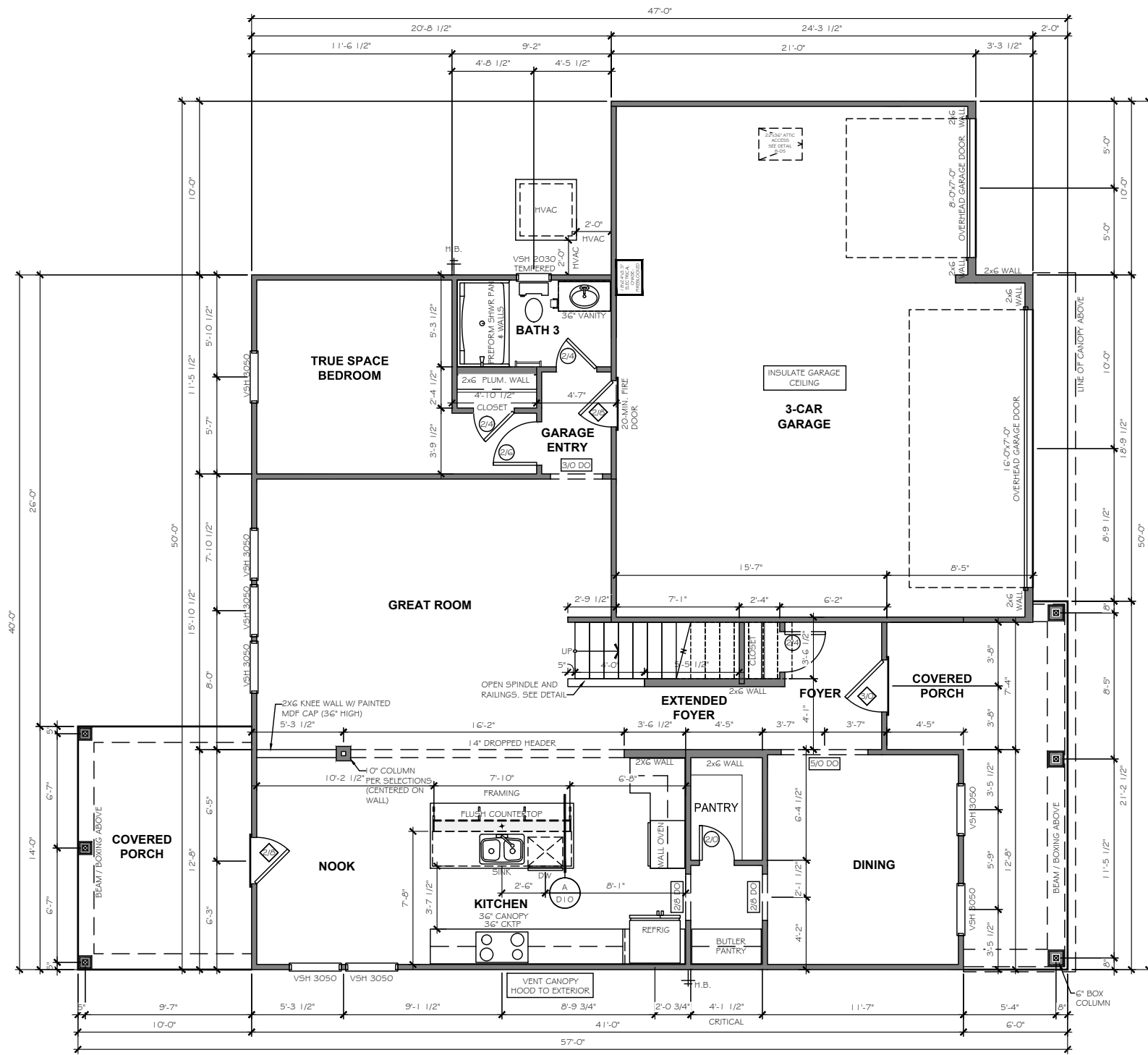
PREPARED BY:
SARAH

DATE:
12-17-2021

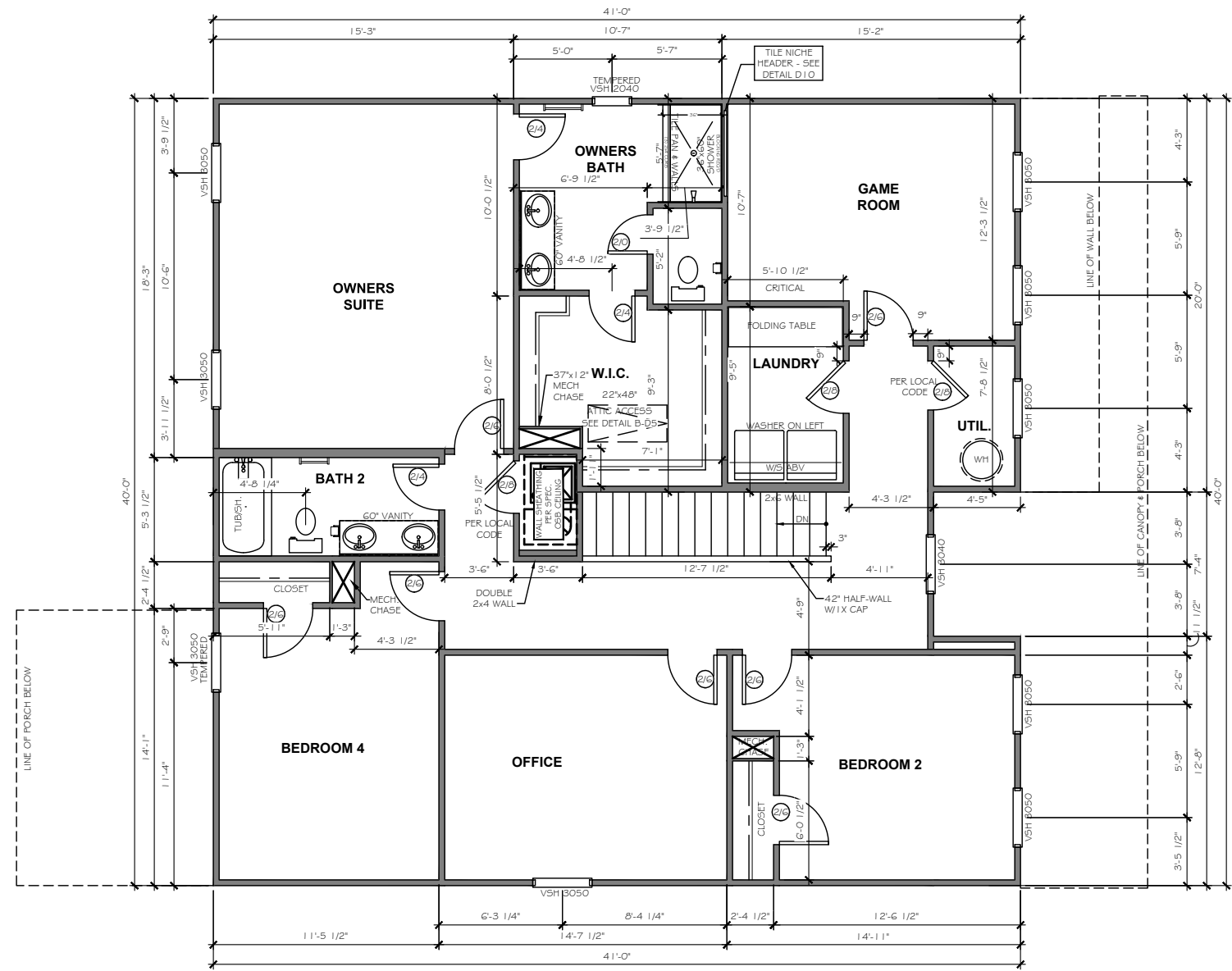
SCALE:
NOT TO SCALE

REVIEWED BY:
NICK

SHEET:
CS



2813 - FIRST FLOOR PLAN



2813 - OPTIONAL SECOND FLOOR 2

TrueHomes
 IT'S ALL ABOUT U
 2649 Breckridge Centre Dr.
 Suite 104
 Monroe, N.C. 28110
 704-271-1191

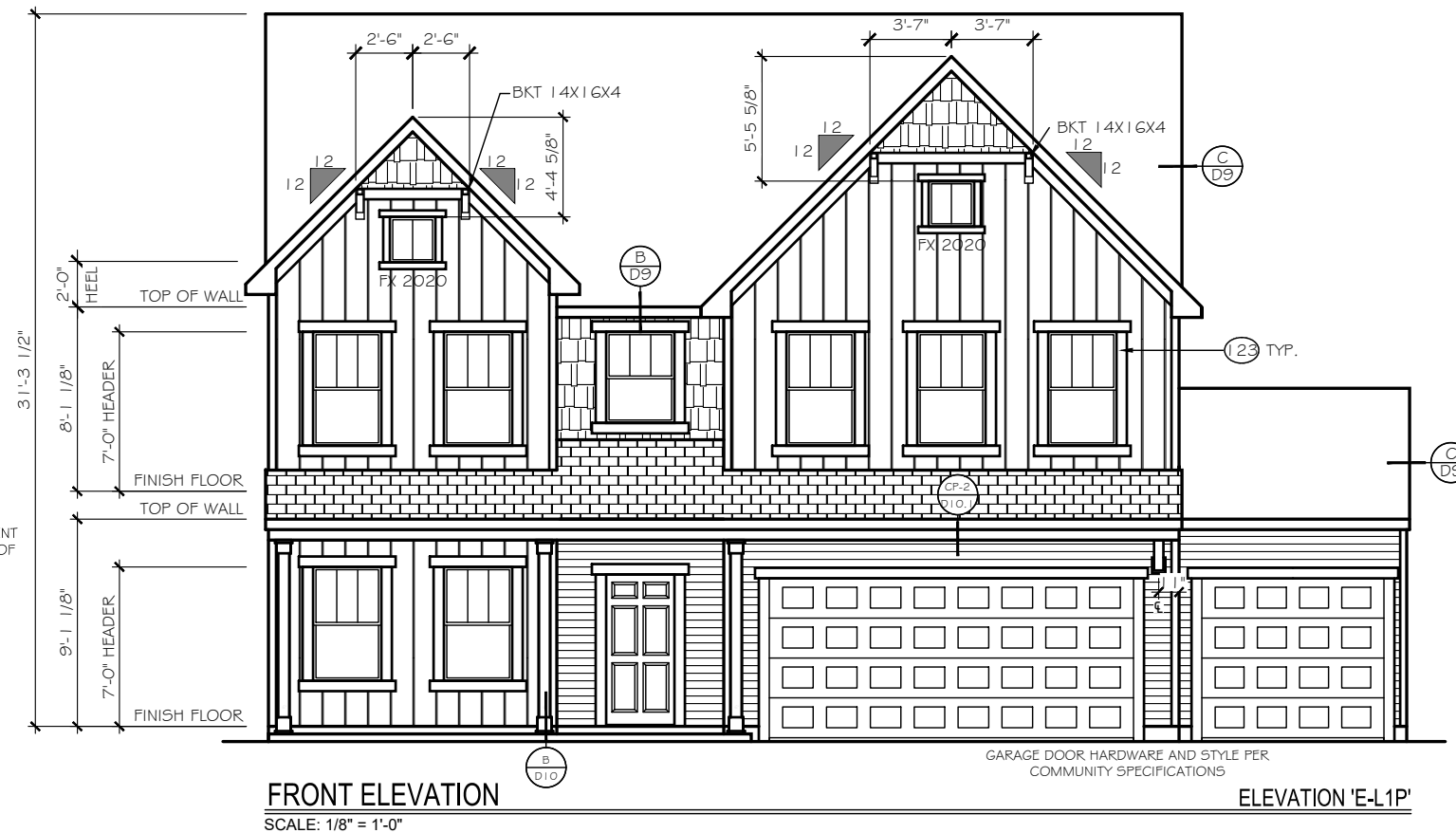
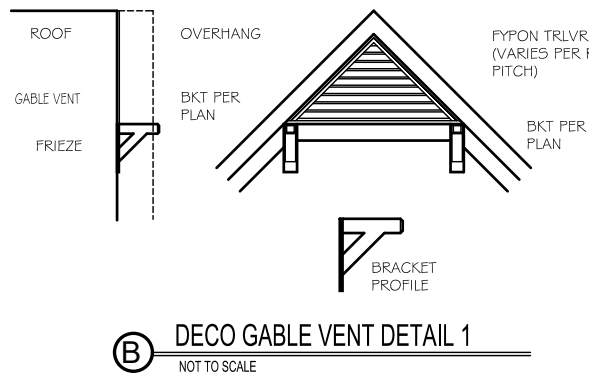
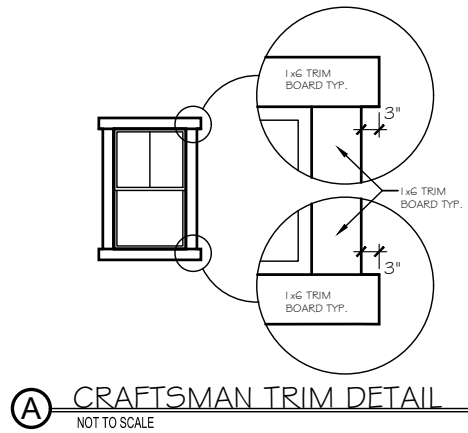
WALKER GROVE
 LOT# 7

KIPLING
 2813

HARNETT

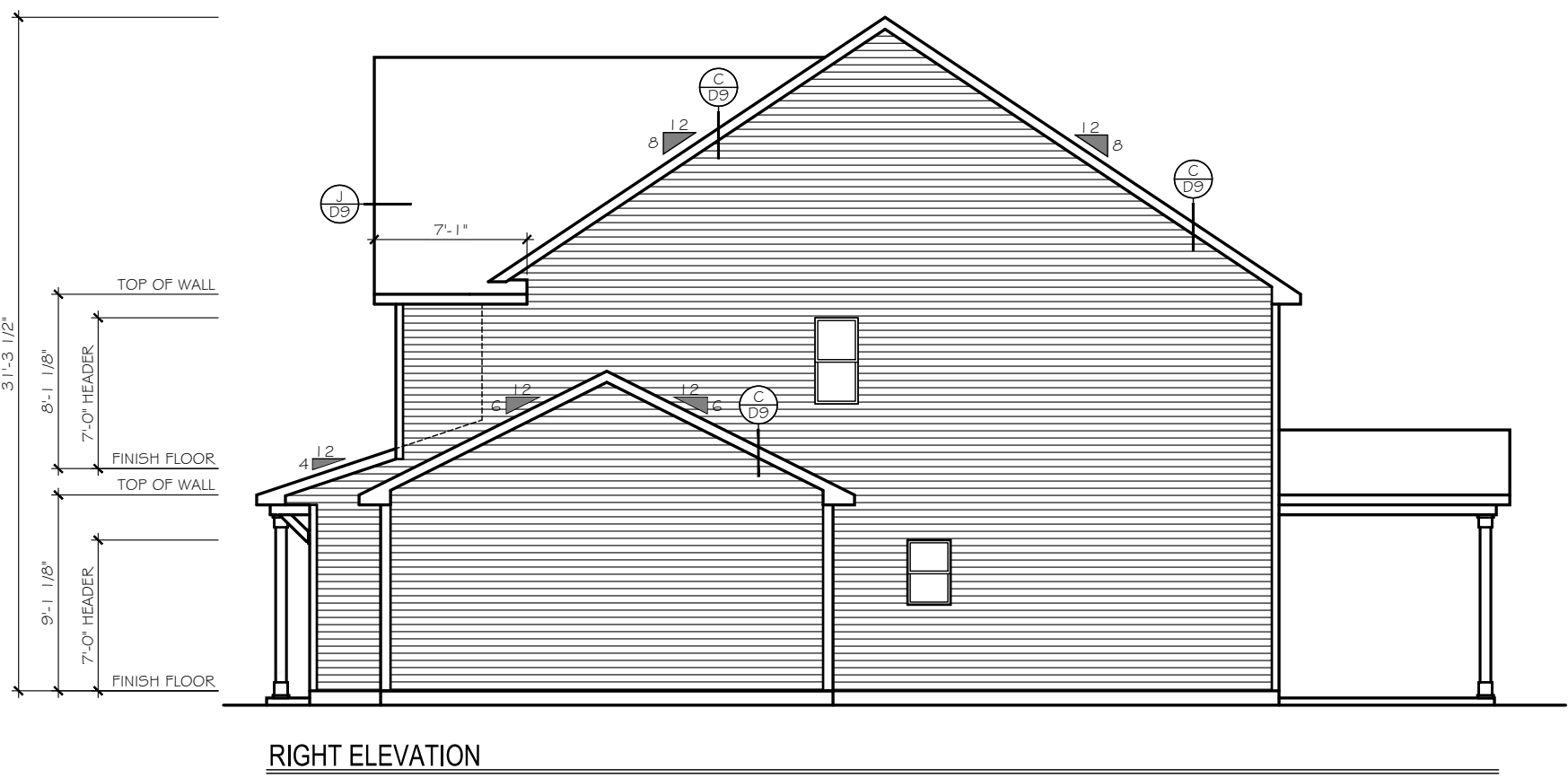
Copyright True Homes L.L.C. All rights reserved. The duplication, reproduction, copying, sale, rental, licensing, or any other distribution or use of these drawings, any portion thereof, or the plans depicted hereon is strictly prohibited.
 PREPARED BY:
 SARAH
 DATE:
 12-17-2021
 SCALE:
 1/8" = 1'-0"
 REVIEWED BY:
 NICK

SHEET:
 A2.2



EXTERIOR MATERIAL LEGEND			
	B-N-B SIDING		STONE
	SHAKE SIDING		METAL ROOF
	HORIZONTAL SIDING		ROOF SHINGLE
	BRICK		SCALLOP SIDING

- FOUNDATION REVEAL MAY VARY BASED ON SITE CONDITIONS, FINAL GRADING, & COMMUNITY SPECS.
- KEY NOTES**
- (15) FLASHING
 - (17) VINYL SHUTTER
 - (20) BRICKMOLD TRIM
 - (21) 1X4 TRIM BOARD
 - (23) 1X6 TRIM BOARD
 - (25) 1X8 TRIM BOARD
 - (28) 1X10 FRIEZE BOARD
 - (3) 1-1/2" THICK STONE CAP
 - (35) ROWLOCK SILL
 - (37) BRICK JACK ARCH
 - (39) SOLDIER COURSE
 - (41) PRECAST KEYSTONE
- 1x4 TRIM WHERE SHOWN AT WINDOWS AND DOORS UNLESS OTHERWISE NOTED
- SEE ROOF FRAMING PLANS FOR OVERHANG DIMENSIONS AND DORMER LOCATIONS



TrueHomes
IT'S ALL ABOUT U
2649 Breckridge Centre Dr.
Suite 104
Monroe, N.C. 28110
704-271-1191

WALKER GROVE
LOT# 7

KIPLING
2813

HARNETT

Copyright True Homes L.L.C. All rights reserved. The duplication, reproduction, copying, sale, rental, licensing, or any other distribution or use of these drawings, any portion thereof, or the plans depicted hereon is strictly prohibited.

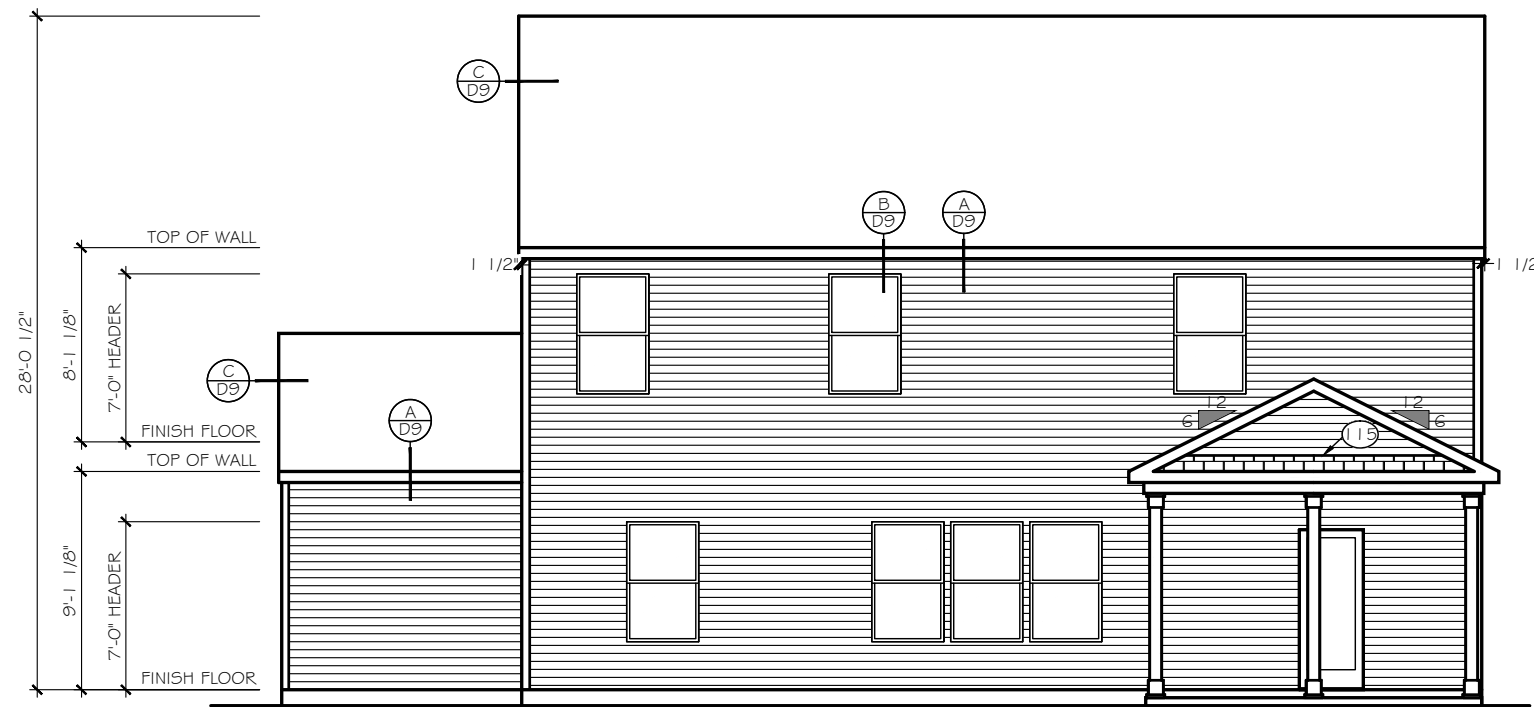
PREPARED BY:
SARAH

DATE:
12-17-2021

SCALE:
1/8" = 1'-0"

REVIEWED BY:
NICK

SHEET:
A3.1



REAR ELEVATION

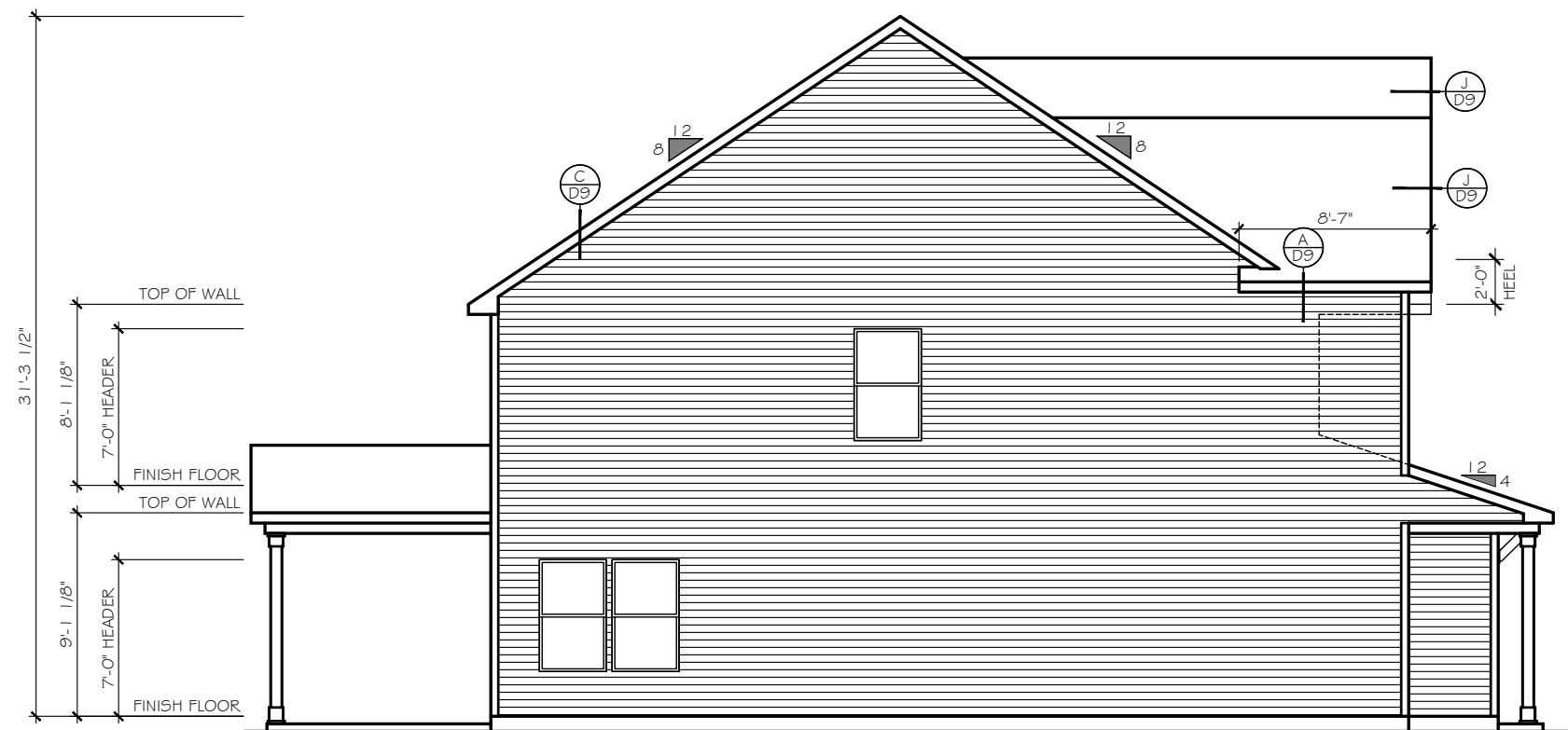
EXTERIOR MATERIAL LEGEND			
	B-N-B SIDING		STONE
	SHAKE SIDING		METAL ROOF
	HORIZONTAL SIDING		ROOF SHINGLE
	BRICK		SCALLOP SIDING

FOUNDATION REVEAL MAY VARY BASED ON SITE CONDITIONS, FINAL GRADING, & COMMUNITY SPECS.

- KEY NOTES**
- (15) FLASHING
 - (17) VINYL SHUTTER
 - (20) BRICKMOLD TRIM
 - (21) 1X4 TRIM BOARD
 - (23) 1X6 TRIM BOARD
 - (25) 1X8 TRIM BOARD
 - (26) 1X10 FRIEZE BOARD
 - (31) 1-1/2" THICK STONE CAP
 - (35) ROWLOCK SILL
 - (37) BRICK JACK ARCH
 - (39) SOLDIER COURSE
 - (41) PRECAST KEYSTONE

1x4 TRIM WHERE SHOWN AT WINDOWS AND DOORS UNLESS OTHERWISE NOTED

SEE ROOF FRAMING PLANS FOR OVERHANG DIMENSIONS AND DORMER LOCATIONS



LEFT ELEVATION

TrueHomes
 IT'S ALL ABOUT U
 2649 Breckridge Centre Dr.
 Suite 104
 Monroe, N.C. 28110
 704-271-1191

WALKER GROVE
 LOT# 7

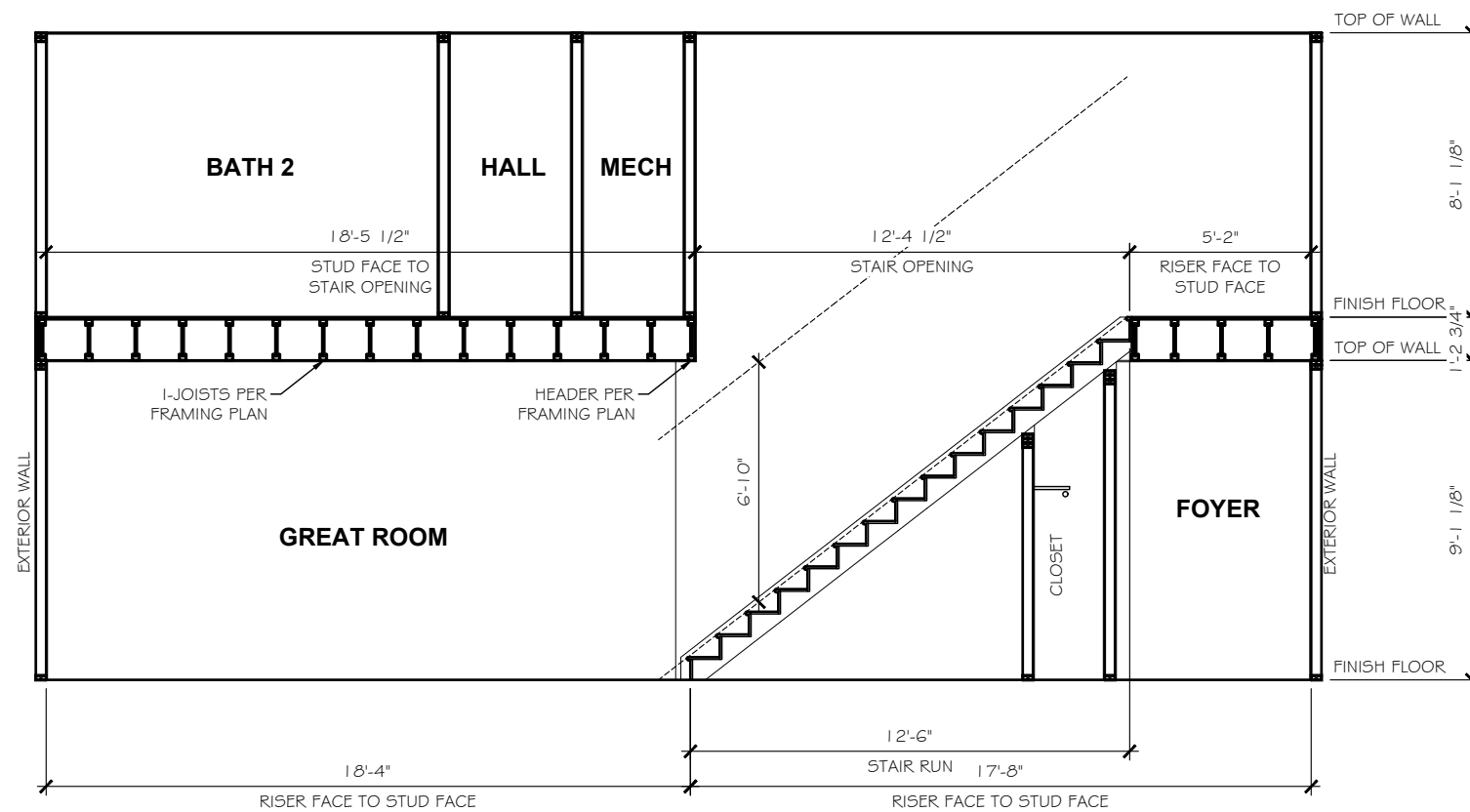
KIPLING
 2813

HARNETT

Copyright True Homes L.L.C. All rights reserved. The duplication, reproduction, copying, sale, rental, licensing, or any other distribution or use of these drawings, any portion thereof, or the plans depicted hereon is strictly prohibited.

PREPARED BY:
 SARAH
 DATE:
 12-17-2021
 SCALE:
 1/8" = 1'-0"
 REVIEWED BY:
 NICK

SHEET:
A3.2



STAIR SECTION (9' PLATE HEIGHT)

STANDARD 2nd FLR, OPT. 2nd FLR 1, OPT. 2nd FLR 2.

TrueHomes
 IT'S ALL ABOUT U
 2649 Breckridge Centre Dr.
 Suite 104
 Monroe, N.C. 28110
 704-271-1191

WALKER GROVE
 LOT# 7

KIPLING
 2813

HARNETT

Copyright True Homes L.L.C. All rights reserved. The duplication, reproduction, copying, sale, rental, licensing, or any other distribution or use of these drawings, any portion thereof, or the plans depicted hereon is strictly prohibited.

PREPARED BY:
 SARAH

DATE:
 12-17-2021

SCALE:
 AS SHOWN

REVIEWED BY:
 NICK

SHEET:
 A4.1

ELECTRICAL LEGEND	
*	INDICATES ADDITIONAL OUTLET PER CLIENT
(D)	OUTLET 110V (D=DEDICATED CIRCUIT)
5' AFF (D)	RECESSED OUTLET 110V
(D)	OUTLET 220V (D=DEDICATED CIRCUIT)
(WP)	OUTLET 110V WATER PROOF
GFI (D)	OUTLET 110V GFI (D=DEDICATED CIRCUIT)
(F)	FLOOR OUTLET 110V
(S)	SWITCHED OUTLET
(USB)	DUAL USB OUTLET (3.1 AMP)
77" AFF (GFI)	EXT. RECESSED OUTLET * TV w/ COVER
(TV)	TV WALL JACK
(P)	PHONE / DATA JACK
(T)	THERMOSTAT
(S)	SMOKE / CO DETECTOR
(S)	SMOKE DETECTOR
(S)	SWITCH
(S)	3-WAY SWITCH
(S)	4-WAY SWITCH
(S)	DIMMER SWITCH
(S)	PUSH BUTTON
(S)	WALL MOUNT LIGHT FIXTURE
(S)	CEILING LIGHT
(S)	HANGING LIGHT
(S)	JUNCTION BOX / PREWIRE
(S)	RECESSED CAN LIGHT
(S)	LED DISC LIGHT
(S)	VAPOR PROOF CAN LIGHT
(S)	MINI-CAN LIGHT
(S)	UNDER CABINET LIGHT
(S)	WALL SCONCE (STD 72" AFF UNO)
(S)	FLOOD LIGHT - LOCATION TO BE VERIFIED IN FIELD WITH BUILDER/CLIENT
(S)	PENDANT LIGHT (6'-7" AFF STD)
(S)	EXHAUST FAN
(S)	EXHAUST FAN / LIGHT
(S)	KEYLESS ENTRY
(S)	CEILING FAN PRE-WIRE OR FIXTURE AS NOTED
(S)	ELECTRIC PANEL (METER LOCATION MAY VARY)
(S)	DISCONNECT BOX
(S)	DED. HOT TUB CIRCUIT (50amp, 240v GFI)
(S)	EV CHARGING OUTLET (50amp, 240v GFI)

LOW VOLTAGE LEGEND	
TEC CAN	
(TEC CAN)	<ul style="list-style-type: none"> 36" WHIP IN WALL (NO OUTLET)
HD LINK	
(HD-L)	5' AFF HD-L
(CH-P)	5' AFF CH-P
(CH-P)	5' AFF CH-P
(S)	SPEAKER
(PWS)	PRE-WIRE FOR SPEAKER
(W)	WALL PLATE CONTROL
CHECK SELECTIONS FOR COMPLETE LOW VOLTAGE LAYOUT. LOW VOLTAGE TRADE RESPONSIBLE FOR LOCATING AND INSTALLING ALL SELECTED PRODUCTS.	

ELECTRICAL TO BE PLACED PER CODE IN THE FIELD. SEE QUALITY STANDARDS FOR HEIGHTS

PLACE GAS METER MAX 15' AWAY FROM ELECTRICAL METER IF APPLICABLE

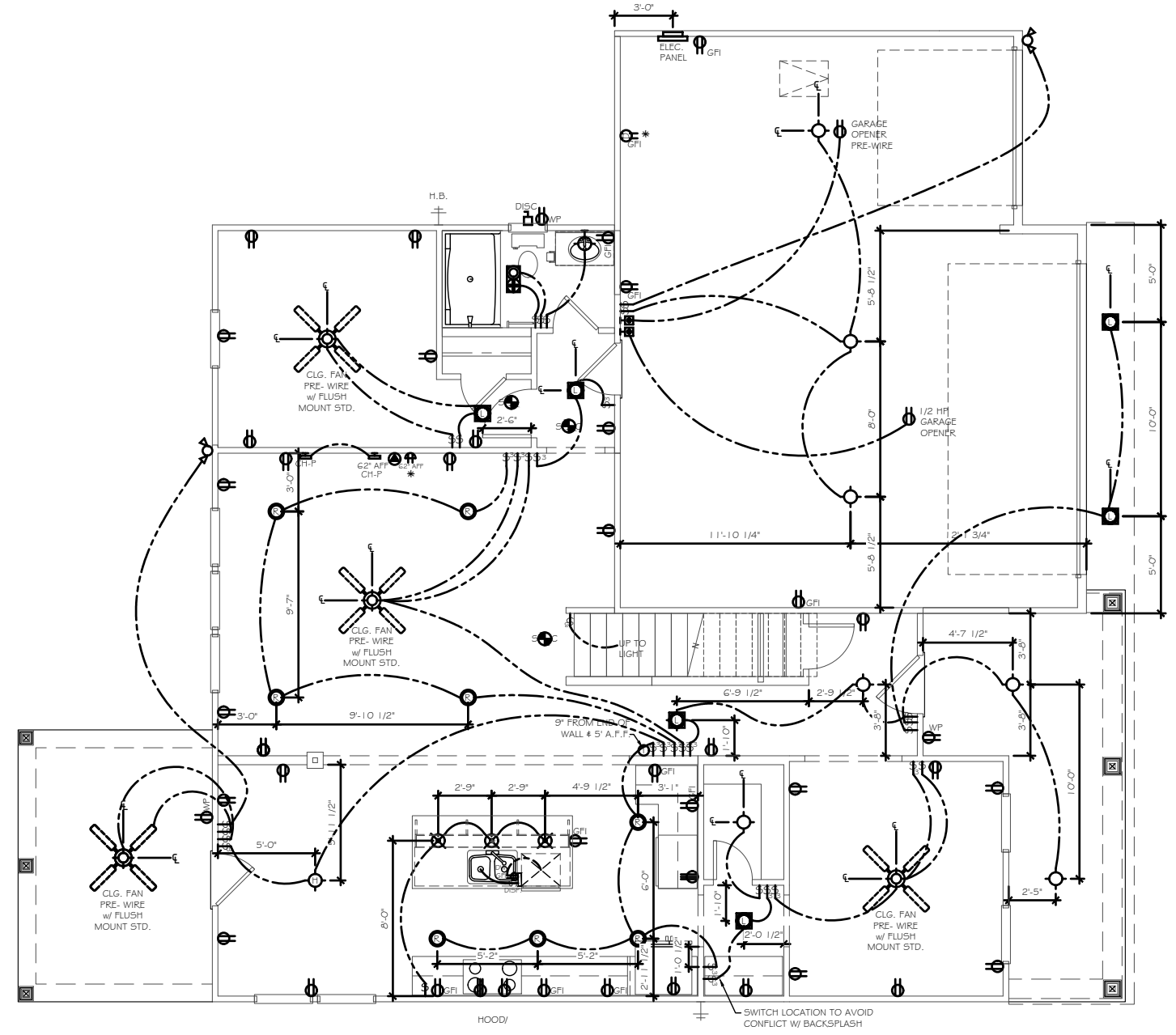
CHECK SELECTIONS FOR CPI LAYOUT. ALL TV, PHONE, CABLE, AUDIO, AND SECURITY SYSTEM OUTLETS WILL BE LOCATED PER CPI LAYOUT, REGARDLESS OF WHETHER TV AND PHONE ARE SHOWN.

ELEC. NOTICE

ROOMS WITH WAINSCOT PER SELECTIONS REQUIRE OUTLETS TO BE PLACED 1'-0" FROM CORNER OR CENTERED ON WALL AT STANDARD HEIGHT (U.N.O.).

****EXCLUDES HALLWAYS****

ELECTRICAL QUANTITIES		
Count	Name	Visibility
1	Receptacle	220V
1	Lights	Hanging Light
1	Switch	4-Way Switch
1	Receptacle	GFI Dedicated
1	RECEPTACLE 2	Recessed Outlet
1	CPI OPTIONS	CHASE PIPE
1	CPI OPTIONS	TEC CAN
2	Switch	Push Button
2	Jacks	Thermostat
2	RECEPTACLE 2	PER CLIENT
2	Lights	Flood Light
3	Receptacle	WP
3	Lights	Pendant Light
4	Lights	Exhaust Fan/Light
4	Detectors	Smoke/Carbon Monoxide Detector
4	Jacks	Phone Jack
5	Lights	Carnage Light
5	Detectors	Smoke Detector
8	Lights	Can Light
10	Ceiling Fan 1.1	Ceiling Fan Pre-Wire
10	Lights	LED Ceiling Light
11	Lights	Ceiling Light
16	Receptacle	GFI
19	Switch	3-Way Switch
38	Switch	Single Pole Switch
55	Receptacle	110V



2813 - FIRST FLOOR ELECTRICAL PLAN

TrueHomes
 IT'S ALL ABOUT U
 2649 Breckridge Centre Dr.
 Suite 104
 Monroe, N.C. 28110
 704-271-1191

WALKER GROVE
 LOT# 7

KIPLING
 2813

HARNETT

Copyright True Homes L.L.C. All rights reserved. The duplication, reproduction, copying, sale, rental, licensing, or any other distribution or use of these drawings, any portion thereof, or the plans depicted hereon is strictly prohibited.

PREPARED BY:
SARAH

DATE:
 12-17-2021

SCALE:
 1/8" = 1'-0"

REVIEWED BY:
NICK

SHEET:
E1.1

ELECTRICAL LEGEND	
*	INDICATES ADDITIONAL OUTLET PER CLIENT
(D)	OUTLET 110V (D=DEDICATED CIRCUIT)
5' AFF (D)	RECESSED OUTLET 110V
(D)	OUTLET 220V (D=DEDICATED CIRCUIT)
(WFP)	OUTLET 110V WATER PROOF
GFI (D)	OUTLET 110V GFI (D=DEDICATED CIRCUIT)
(S)	FLOOR OUTLET 110V
(S)	SWITCHED OUTLET
(USB)	DUAL USB OUTLET (3.1 AMP)
7' AFF (D) TV	EXT. RECESSED OUTLET * TV w/ COVER
TV	TV WALL JACK
(P/D)	PHONE / DATA JACK
(T)	THERMOSTAT
(S/C)	SMOKE / CO DETECTOR
(S)	SMOKE DETECTOR
(S)	SWITCH
(S)	3-WAY SWITCH
(S)	4-WAY SWITCH
(D)	DIMMER SWITCH
(P)	PUSH BUTTON
(L)	WALL MOUNT LIGHT FIXTURE
(L)	CEILING LIGHT
(L)	HANGING LIGHT
(J)	JUNCTION BOX / PREWIRE
(R)	RECESSED CAN LIGHT
(L)	LED DISC LIGHT
(V)	VAPOR PROOF CAN LIGHT
(M)	MINI-CAN LIGHT
(I)	UNDER CABINET LIGHT
(S)	WALL SCONCE (STD 72" AFF UNO)
(F)	FLOOD LIGHT - LOCATION TO BE VERIFIED IN FIELD WITH BUILDER/CLIENT
(P)	PENDANT LIGHT (6'-7" AFF STD)
(E)	EXHAUST FAN
(E)	EXHAUST FAN / LIGHT
(K)	KEYLESS ENTRY
(F)	CEILING FAN PRE-WIRE OR FIXTURE AS NOTED
(E)	ELECTRIC PANEL (METER LOCATION MAY VARY)
(D)	DISCONNECT BOX
(H)	DED. HOT TUB CIRCUIT (50amp, 240v GFI)
(E)	EV CHARGING OUTLET (50amp, 240v GFI)

LOW VOLTAGE LEGEND	
TEC CAN	
(C)	36" WHIP IN WALL (NO OUTLET)
HD LINK	
(H)	5' AFF HD-L
(L)	5' AFF HD-L
(H)	5' AFF HD-L
(L)	5' AFF HD-L
(C)	CHASE PIPE
(C)	HDMI CABLE
(C)	2 CAT5E DATA
(C)	TV/DATA JACK
(C)	110v OUTLET (RECESSED AFF)
(C)	110v OUTLET (STANDARD)
CHASE PIPE	
(C)	5' AFF CH-F
(C)	5' AFF CH-F
(C)	CHASE PIPE WALL PLATES (OUTLET SEPARATE)
(S)	SPEAKER
(PWS)	PRE-WIRE FOR SPEAKER
(W)	WALL PLATE CONTROL
CHECK SELECTIONS FOR COMPLETE LOW VOLTAGE LAYOUT.	
LOW VOLTAGE TRADE RESPONSIBLE FOR LOCATING AND INSTALLING ALL SELECTED PRODUCTS.	

CHECK SELECTIONS FOR CPI LAYOUT. ALL TV, PHONE, CABLE, AUDIO, AND SECURITY SYSTEM OUTLETS WILL BE LOCATED PER CPI LAYOUT, REGARDLESS OF WHETHER TV AND PHONE ARE SHOWN.

ELEC. NOTICE
 ROOMS WITH WAINSCOT PER SELECTIONS REQUIRE OUTLETS TO BE PLACED 1'-0" FROM CORNER OR CENTERED ON WALL AT STANDARD HEIGHT (U.N.O.).
 EXCLUDES HALLWAYS

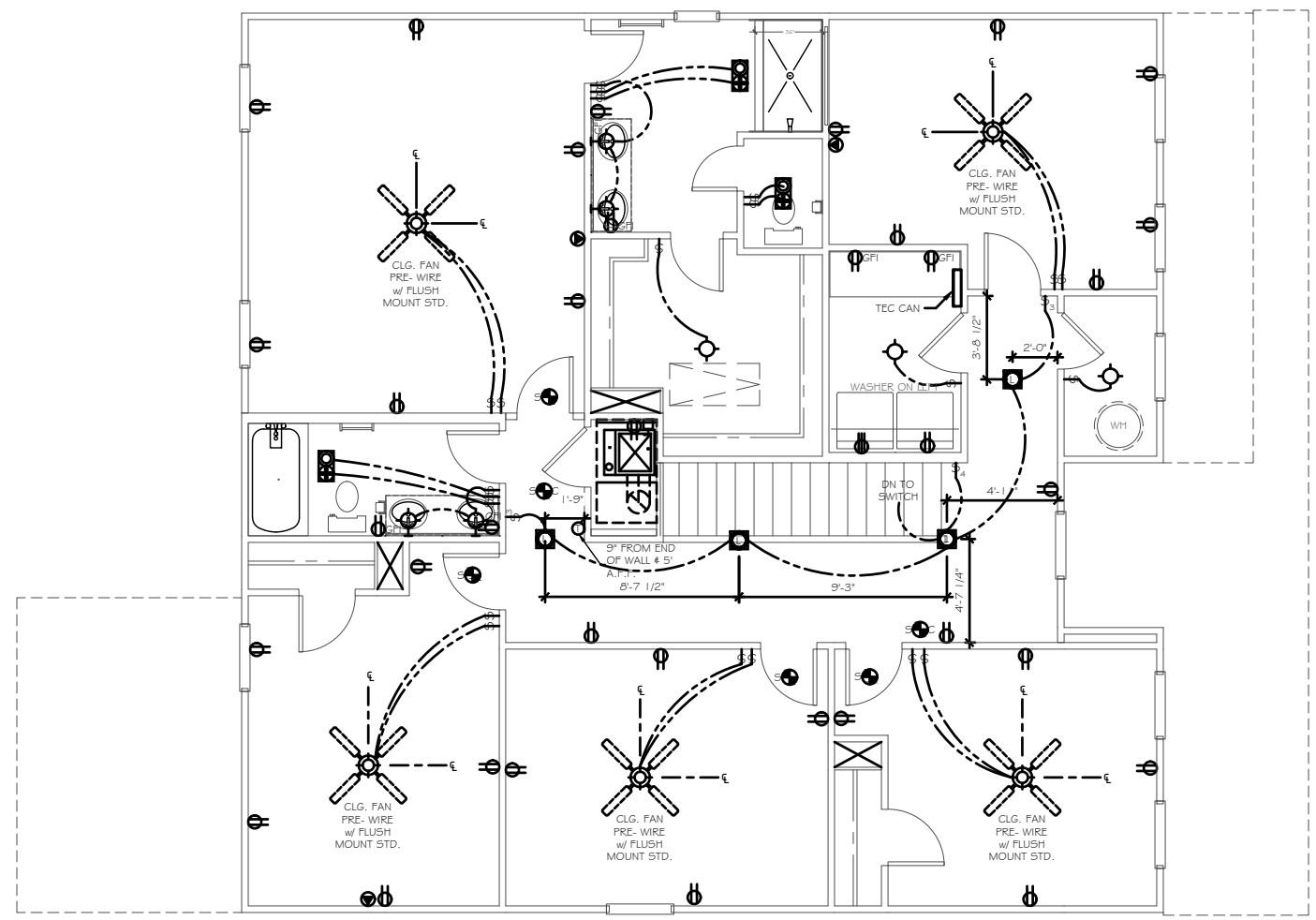
ELECTRICAL TO BE PLACED PER CODE IN THE FIELD. SEE QUALITY STANDARDS FOR HEIGHTS
 PLACE GAS METER MAX 15' AWAY FROM ELECTRICAL METER IF APPLICABLE

TrueHomes
 IT'S ALL ABOUT U
 2649 Breckridge Centre Dr.
 Suite 104
 Monroe, N.C. 28110
 704-271-1191

WALKER GROVE
 LOT# 7

KIPLING
 2813

HARNETT

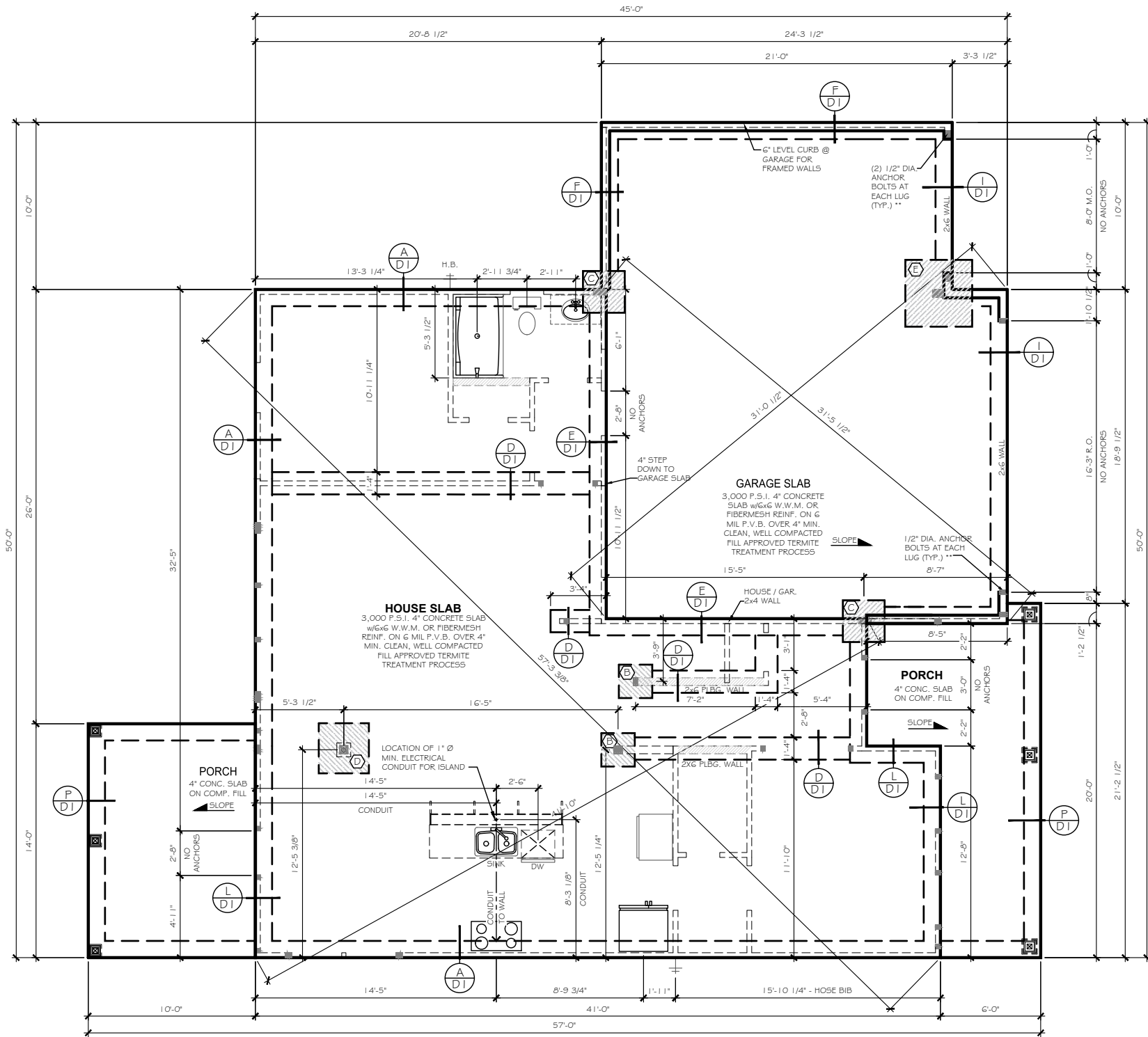


2813 - SECOND FLOOR ELECTRICAL PLAN

Copyright True Homes L.L.C. All rights reserved. The duplication, reproduction, copying, sale, rental, licensing, or any other distribution or use of these drawings, any portion thereof, or the plans depicted hereon is strictly prohibited.

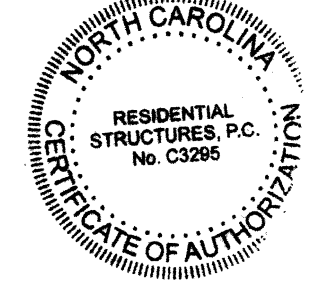
PREPARED BY:
SARAH
 DATE:
 12-17-2021
 SCALE:
 1/8" = 1'-0"
 REVIEWED BY:
NICK

SHEET:
E1.2



PAD FOOTING SIZES	
KEYNOTE	SIZE
⊕	18"x18"x8" w/3-#4's E.W.
⊕	24"x24"x12" w/4-#4's E.W.
⊕	30"x30"x12" w/4-#4's E.W.
⊕	36"x36"x12" w/4-#4's E.W.
⊕	48"x48"x12" w/6-#4's E.W.
⊕	36"x60"x12" w/4's @ 6" O.C. E.W.

LENGTH x WIDTH x DEPTH (REBAR REQ'D)
DEPTH TO INCLUDE SLAB THICKNESS



RESIDENTIAL STRUCTURES, P.C.
3410 N. Davidson St.
Charlotte, N.C. 28209
Seal For Structural Only

2813 - MONO SLAB FOUNDATION PLAN

TrueHomes
IT'S ALL ABOUT U
2649 Breckridge Centre Dr.
Suite 104
Monroe, N.C. 28110
704-271-1191

WALKER GROVE
LOT# 7

KIPLING
2813

HARNETT

Copyright True Homes L.L.C. All rights reserved. The duplication, reproduction, copying, sale, rental, licensing, or any other distribution or use of these drawings, any portion thereof, or the plans depicted hereon is strictly prohibited.

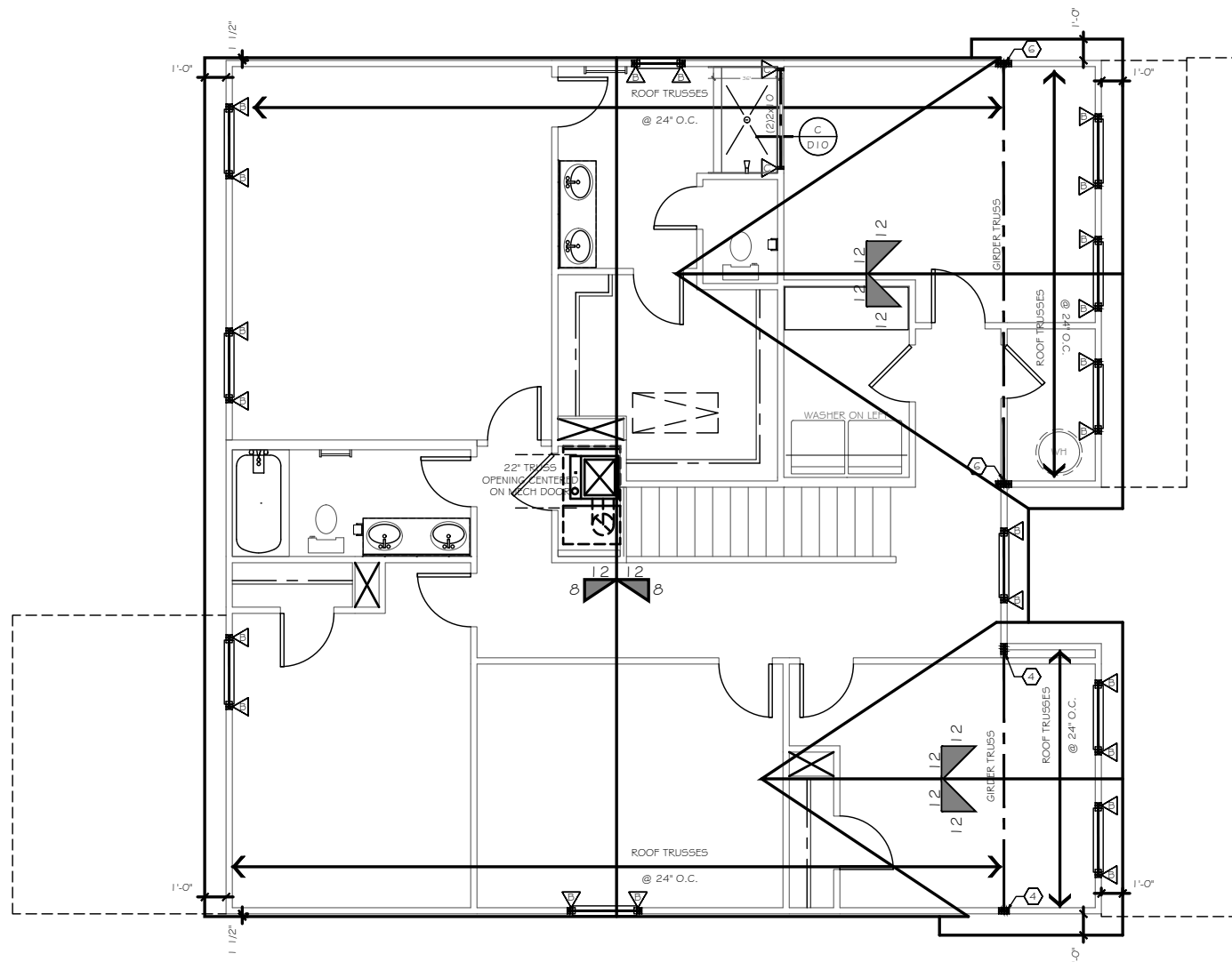
PREPARED BY:
SARAH
DATE:
12-17-2021
SCALE:
1/8" = 1'-0"
REVIEWED BY:
NICK

SHEET:
S1

SEE COVER PAGE FOR
ROUGH OPENING DIMENSIONS

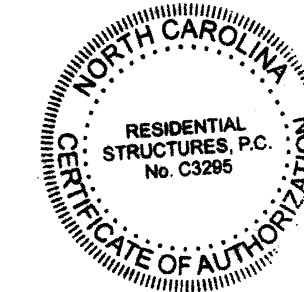
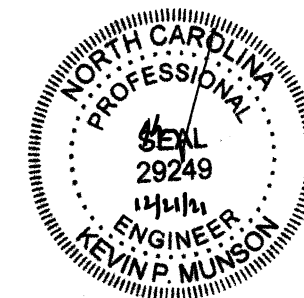
KING / JACK STUD SCHEDULE		POST SCHEDULE	
		2x4 STUDS	2x6 STUDS
△	(2) JACKS		
△	(1) JACK & (1) KING	EX: (2) 2X4	EX: (2) 2X6
△	(1) JACK & (2) KINGS	NUMBER INSIDE CALLOUT INDICATES TOTAL NUMBER OF STUDS.	
△	(1) JACK & (3) KINGS	4X4 POST	6X6 POST
△	(2) JACKS & (1) KING		
△	(2) JACKS & (2) KINGS		
△	(2) JACKS & (3) KINGS		
△	(3) JACKS & (3) KINGS	LETTER 'P' INSIDE CALLOUT INDICATES A SOLID 4x4 or 6x6 POST	
△	(4) JACKS & (4) KINGS		

ATTIC VENTILATION CALCULATIONS			
RIDGE VENT NET FREE AREA	=	16 SQ. IN. PER LINEAR FT.	
SOFFIT VENT NET FREE AREA	=	9 SQ. IN. PER LINEAR FT.	
ATTIC AREA (TOTAL)	=	1607 SQ.FT.	
ATTIC VENTILATION (REQUIRED)	=	1607 / 300 = 5.36 SQ.FT.	= 771.36 SQ.IN.
RIDGE VENT	=	32 FT x 16 SQ.IN.	= 512 SQ. IN. NET FREE AREA
SOFFIT VENT	=	80 FT x 9 SQ.IN.	= 720 SQ. IN. NET FREE AREA
TOTAL	=	1232 SQ. IN. NET FREE AREA	> 771.36 SQ. IN. REQUIRED



2813 - ROOF FRAMING PLAN

CODE REFERENCE PER STATE		
NORTH CAROLINA :2018 NCRC (TABLE R602.10.1)		
SOUTH CAROLINA :2018 IRC (TABLE R602.10.4)		
STRUCTURAL LEGEND		
	BEARING WALL	
	METHOD GB OF LOCAL CODE	
	BEARING WALL W/ METHOD GB OF LOCAL CODE	
	CENTER OF BEAM / JOIST / GIRDER TRUSSES	
	METHOD CS-WSP (LNU)	
	INTERIOR SHEAR WALL PER HIGH WIND NOTE 1.C	
	USP LSTA24 HOLDDOWN OR EQ.	
	USP STAD14 HOLDDOWN OR EQ.	
	USP DTB-T2 HOLDDOWN OR EQ.	
	USP PHD6 HOLDDOWN OR EQ.	
	USP RS-150 COIL STRAP HOLDDOWN (36\"/>	
WALL BRACING NOTE		
<ul style="list-style-type: none"> 115 MPH WIND ZONE - EXP. B 8, 9 OR 10 FT. WALL HEIGHT ENGINEERED WALL BRACING DESIGN MEETS OR EXCEEDS THE INTENT OF THE: 2018 NCRC - NORTH CAROLINA, 2018 IRC - SOUTH CAROLINA. 		
METHOD	MATERIAL	FASTENER SPACING
CS-WSP	MIN. 3/8\"/>	6\"/>
GB	MIN. 1/2\"/>	7\"/>
ALL WOOD STRUCTURAL PANEL BRACING SHALL BE ATTACHED TO FRAMING OR BLOCKING, EXCEPT GB BRACING. HORIZONTAL JOINTS SHALL NOT BE REQUIRED TO BE BLOCKED WHEN JOINTS ARE FINISHED.		
ALTERNATE SILL PLATE ANCHORAGE I/O STRAPS		
1/2\"/>		
SEE TRUSS HEEL BLOCKING/SHEATHING REQUIREMENTS SHEET D3		



RESIDENTIAL STRUCTURES, P.C.
3410 N. Davidson St.
Charlotte, N.C. 28205
Seal For Structural Only

TrueHomes
IT'S ALL ABOUT U
2649 Breckridge Centre Dr.
Suite 104
Monroe, N.C. 28110
704-271-1191

WALKER GROVE
LOT# 7

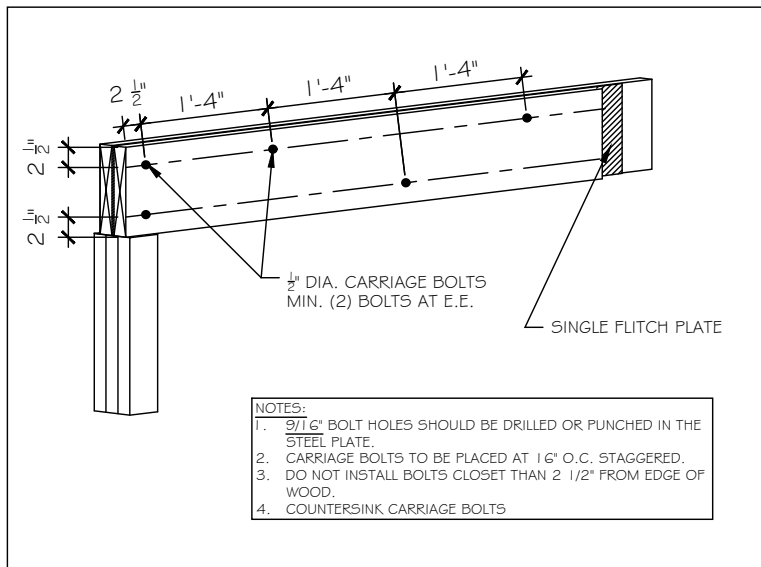
KIPLING
2813

HARNETT

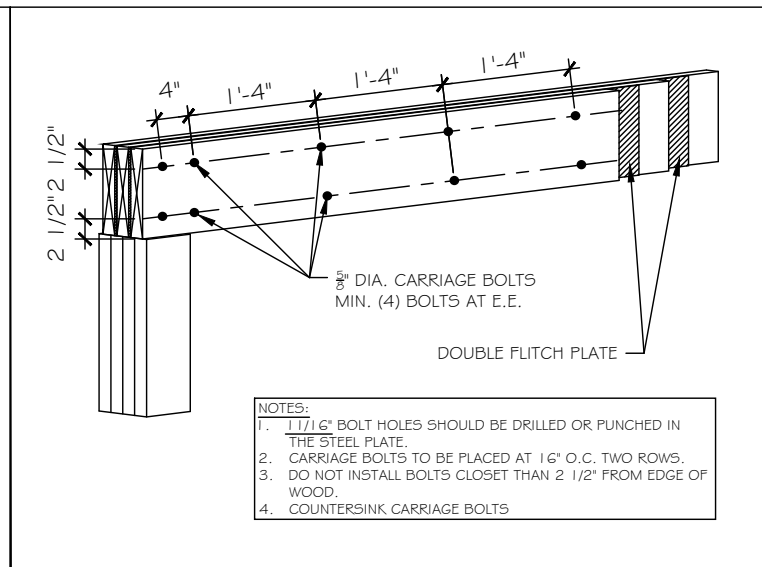
Copyright True Homes L.L.C. All rights reserved. The duplication, reproduction, copying, sale, rental, licensing, or any other distribution or use of these drawings, any portion thereof, or the plans depicted hereon is strictly prohibited.

PREPARED BY:
SARAH
DATE:
12-17-2021
SCALE:
1/8" = 1'-0"
REVIEWED BY:
NICK

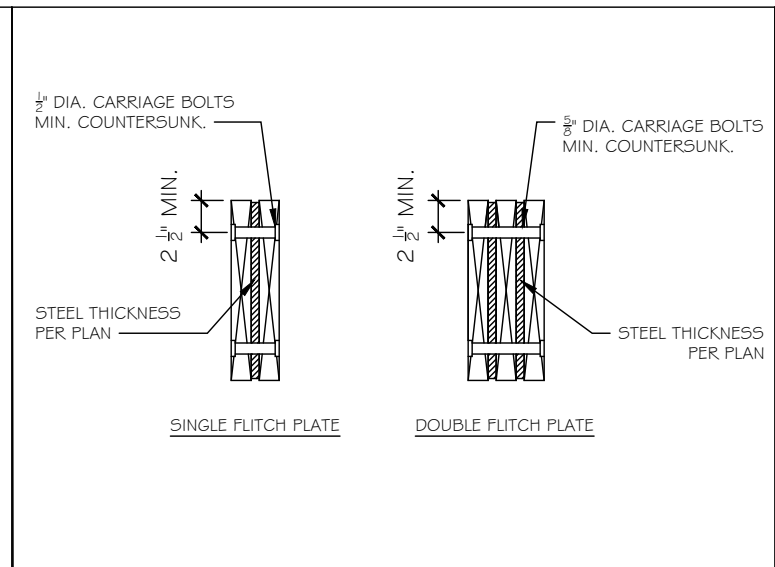
SHEET:
S3.1



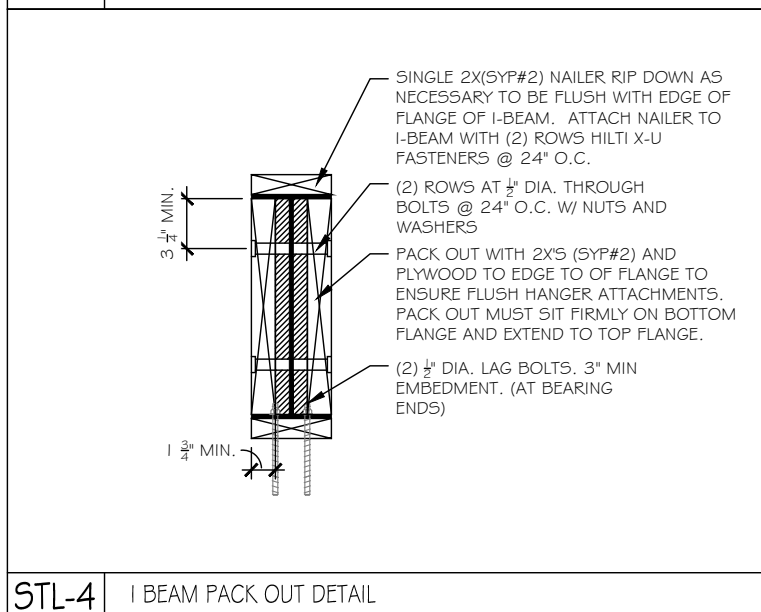
STL-1 SINGLE FLITCH BEAM



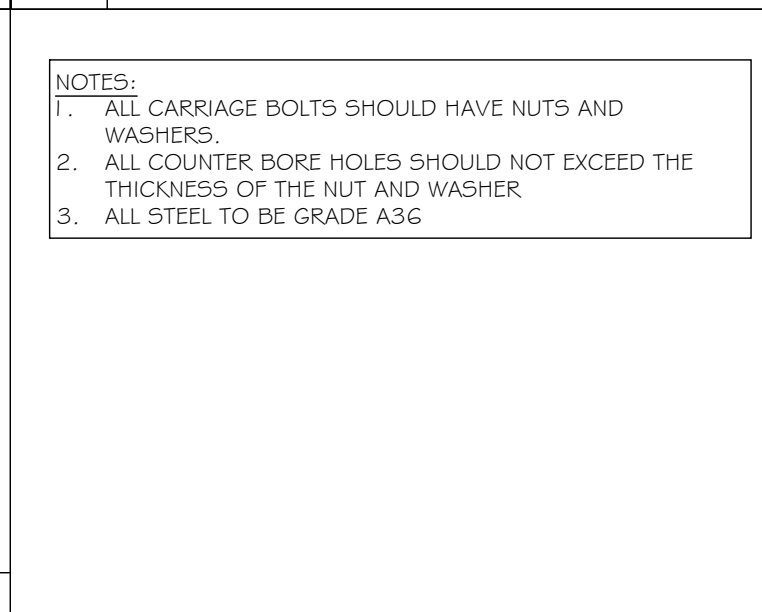
STL-2 DOUBLE FLITCH BEAM



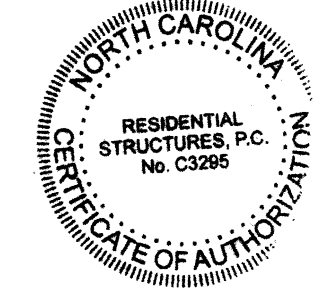
STL-3 FLITCH BEAM



STL-4 I BEAM PACK OUT DETAIL



STL-5 TYPICAL BOLTED STEEL BEAM CONNECTION DETAIL



RESIDENTIAL STRUCTURES, P.C.
3410 N. Davidson St.
Charlotte, N.C. 28203
Seal For Structural Only

TrueHomes
IT'S ALL ABOUT U
2649 Breckridge Centre Dr.
Suite 104
Monroe, N.C. 28110
704-271-1191

WALKER GROVE
LOT# 7

KIPLING
2813

HARNETT

Copyright True Homes L.L.C. All rights reserved. The duplication, reproduction, copying, sale, rental, licensing, or any other distribution or use of these drawings, any portion thereof, or the plans depicted hereon is strictly prohibited.

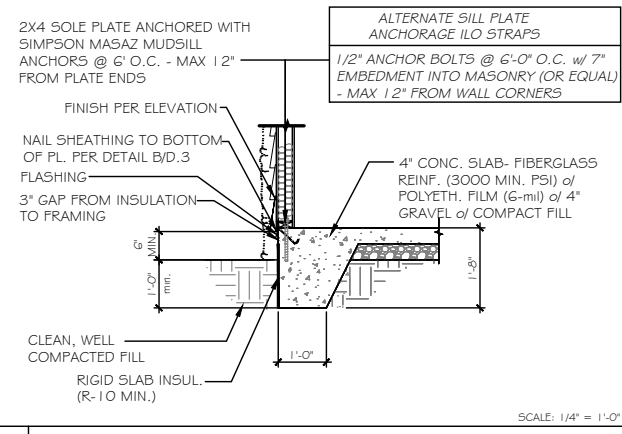
PREPARED BY:
SARAH

DATE:
12-17-2021

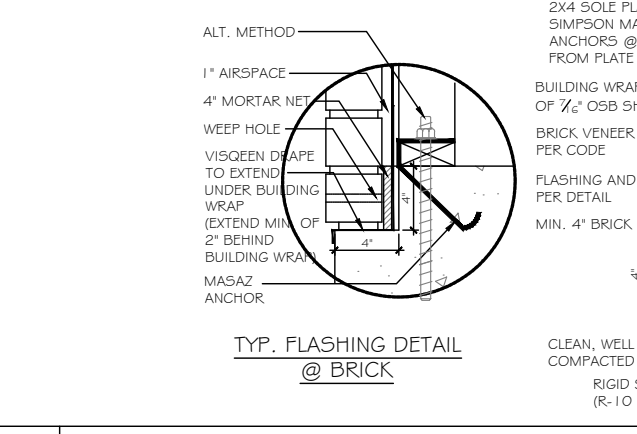
SCALE:
1/4"=1'-0"

REVIEWED BY:
NICK

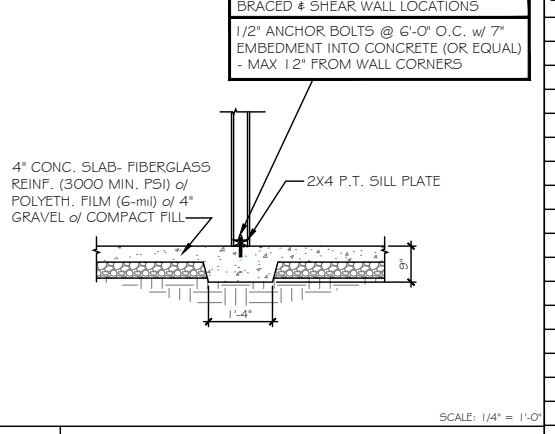
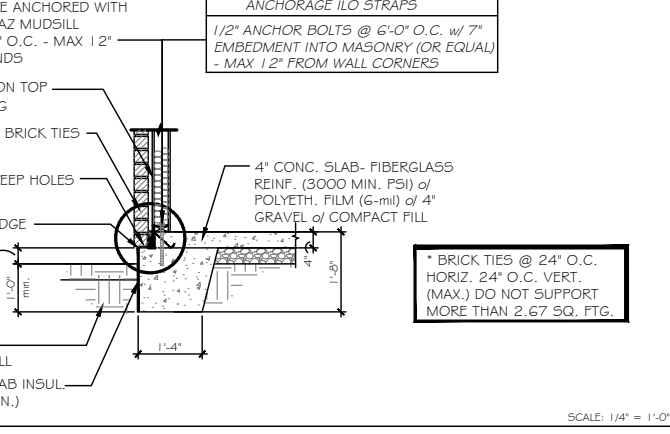
SHEET:
ST-1



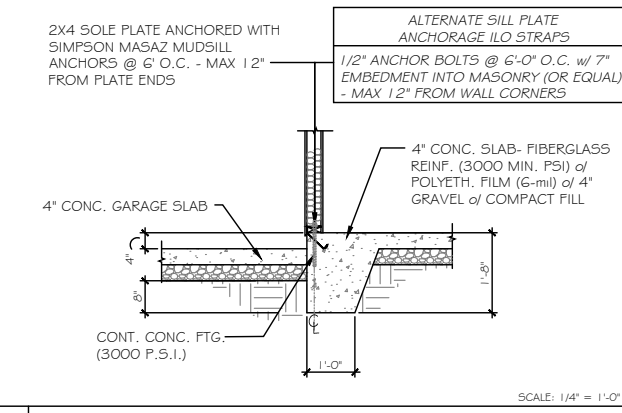
A TYP. SLAB HOUSE TO GRADE



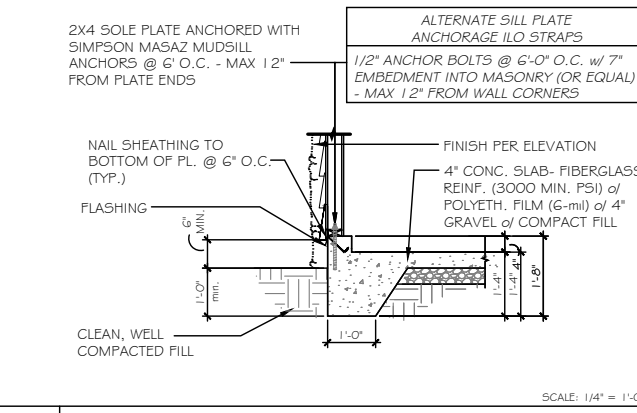
B TYP. SLAB HOUSE TO GRADE w/ BRICK



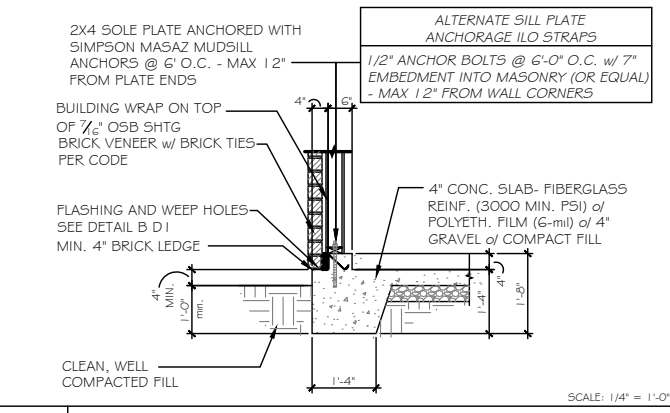
D TYP. THICKENED SLAB DETAIL



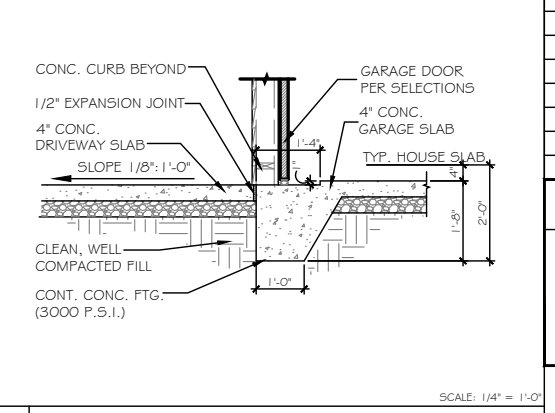
E TYP. SLAB - HOUSE TO GARAGE



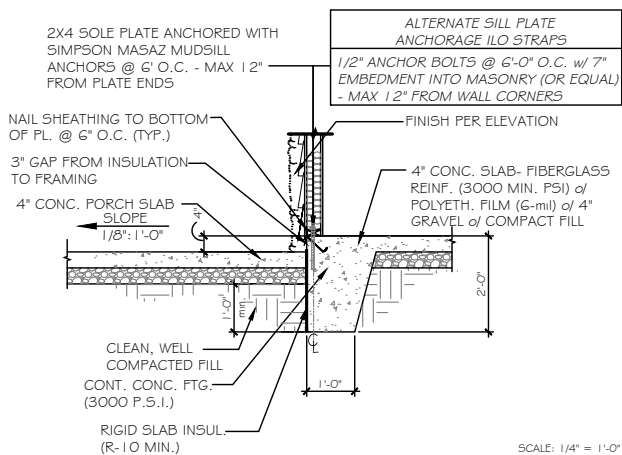
F TYP. SLAB - GARAGE TO GRADE



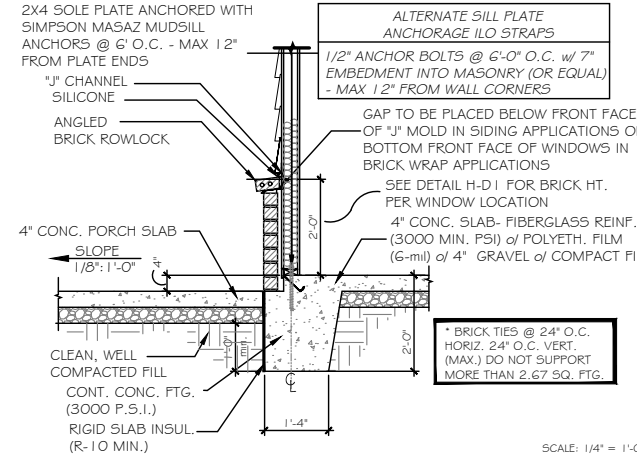
G TYP. SLAB - GARAGE TO GRADE w/ BRICK



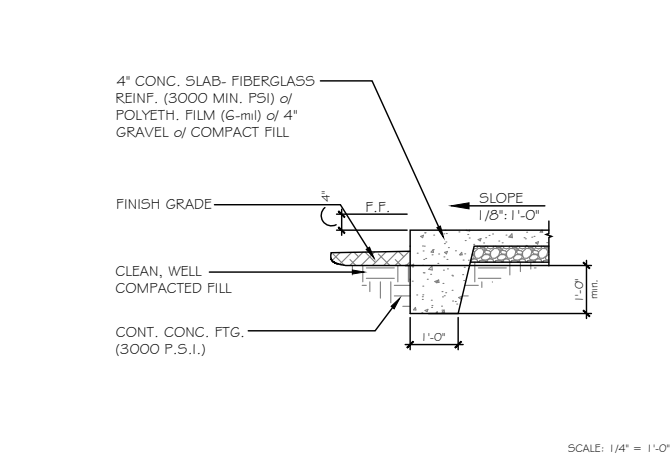
I TYP. GARAGE TO DRIVE



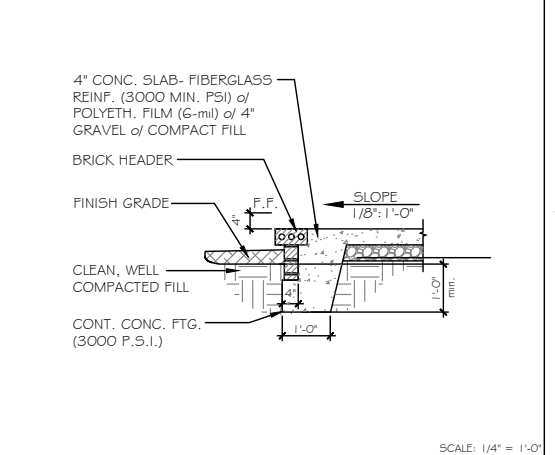
L TYP. SLAB - HOUSE TO PORCH



N TYP. SLAB - WAINSCOTING BRICK DETAIL @ PORCH



P TYP. PORCH END DETAIL



Q PORCH END DETAIL w/ BRICK

MONOSLAB RALEIGH/TRIAD

NOTES:
 CORROSION RESISTANT CORRUGATED METAL TIES - 22 GAUGE, 7/8" WIDE, 6" LONG. PLACE MAX. HORIZONTAL SPACING 24" HORZ., NOT TO SUPPORT GREATER THAN 2.67 SQ. FT. WALL AREA
 WEEP HOLES TO BE PLACED AT EVERY OTHER HEAD JOINT ON THE BOTTOM COURSE OF BRICK.
 VISQUEEN DRAPE TO EXTEND UNDER BUILDING WRAP (EXTEND MIN. OF 2" BEHIND BUILDING WRAP)
 PROVIDE WEEP HOLES PER CODES
 BRICK TIES @ 24" O.C. HORIZ. 24" O.C. VERT. (MAX.) DO NOT SUPPORT MORE THAN 2.67 SQ. FTG.
 BRICK & CMU TO BE INTEGRALLY BONDED PER CODE

REF. NO.	USP
ABA44Z	PA44E-TZ
BC52-2/4	BC4010-TZ
CS-1G	RS150
DTT2Z-5D52.5	DTB-TZ
H2.5A	RT7
H2.5A	RT7A
LS-30	MP3
LSTA24	LSTA24
MASAZ	FA3-TZ
STHD14	STAD14
HHUS410	THD410
A24	TDL5
A21	JA1
LSU26	L5SH15-TZ
EPB44	EPB4408
BC6	C66
BC4	C44
LUS28-2	JUS28-2
LUS26	JUS26
ABA66	PA66E-TZ
C522	RS-22R
HDU4-5D5	PHD4A
EPB6GT	EPB6G08
HDQ8-5D3Z	PHD8
LSTA36	LSTA36
A34	MP34

COASTAL & CHARLESTON ONLY
ALTERNATE HOLDDOWN

MITEK PFM1461640 ANCHOR SCREWS w/ 3"x3"x3" @ 4' O.C.

MITEK HTT45 HOLDDOWN OR EQ.



RESIDENTIAL STRUCTURES, P.C.
 3410 N. Davidson St.
 Charlotte, N.C. 28205
 Seal For Structural Only

TrueHomes
 IT'S ALL ABOUT YOU
 2649 Breckridge Centre Dr.
 Suite 104
 Monroe, N.C. 28110
 704-271-1191

WALKER GROVE

LOT# 7

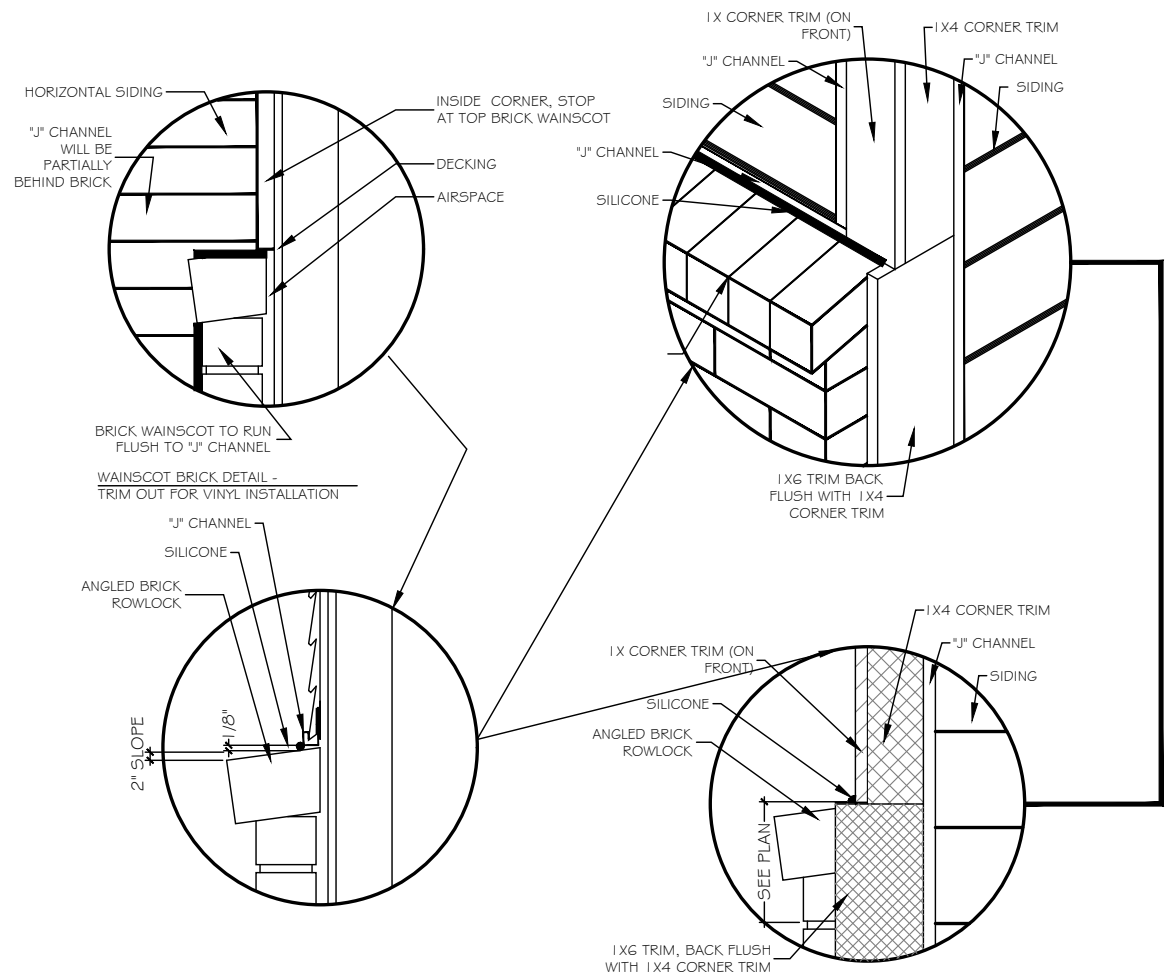
KIPLING
 2813

HARNETT

Copyright True Homes L.L.C. All rights reserved. The duplication, reproduction, copying, sale, rental, licensing, or any other distribution or use of these drawings, any portion thereof, or the plans depicted hereon is strictly prohibited.

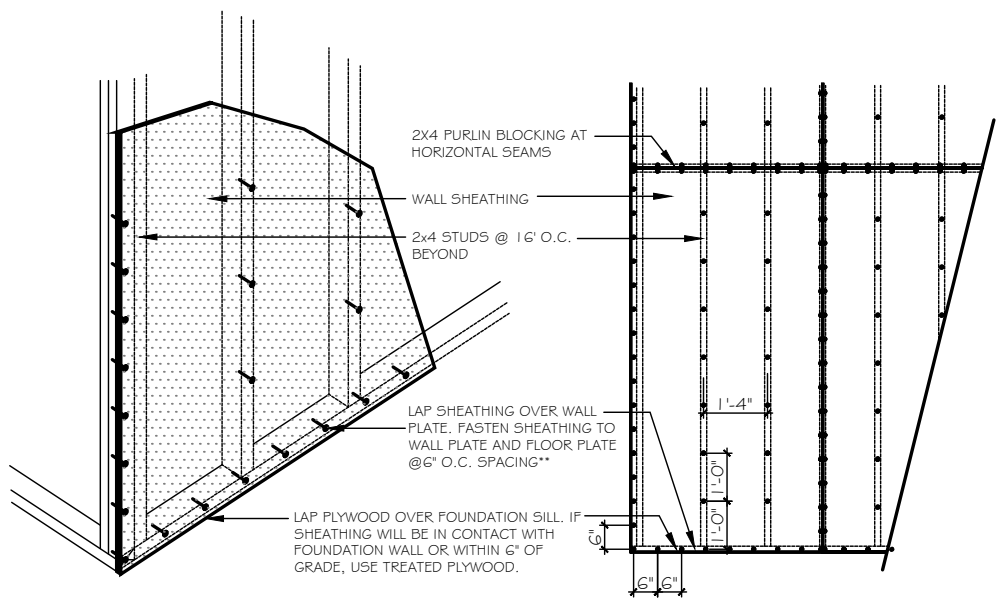
PREPARED BY: SARAH
 DATE: 12-17-2021
 SCALE: 1/4" = 1'-0"
 REVIEWED BY: NICK

SHEET: **D1**

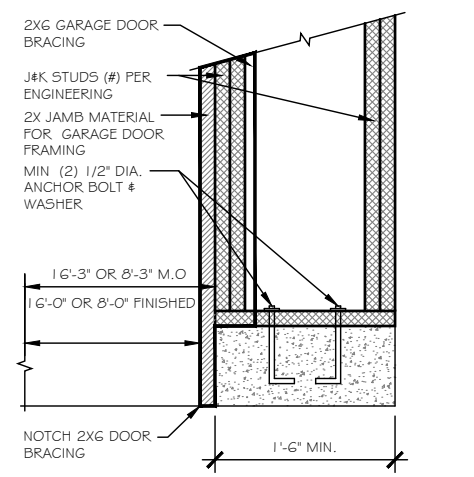


WAINSCOT BRICK DETAIL @ 1X WOOD CORNER CONDITION

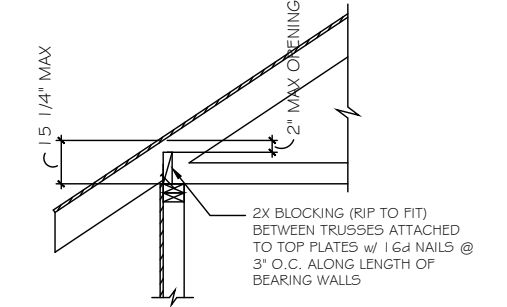
A FLASHING @ WAINSCOTING BRICK DETAIL
SCALE: 1/4" = 1'-0"



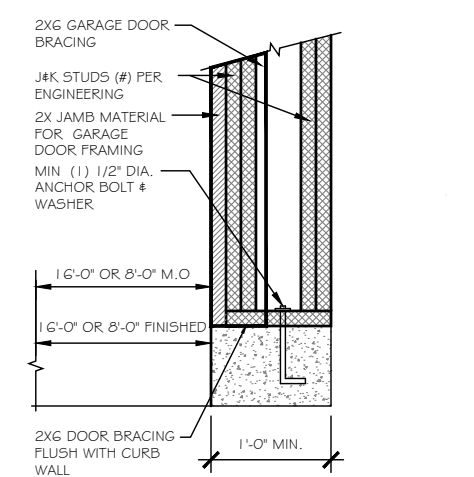
B TYP. NAILING PATTERN
SCALE: 1/4" = 1'-0"



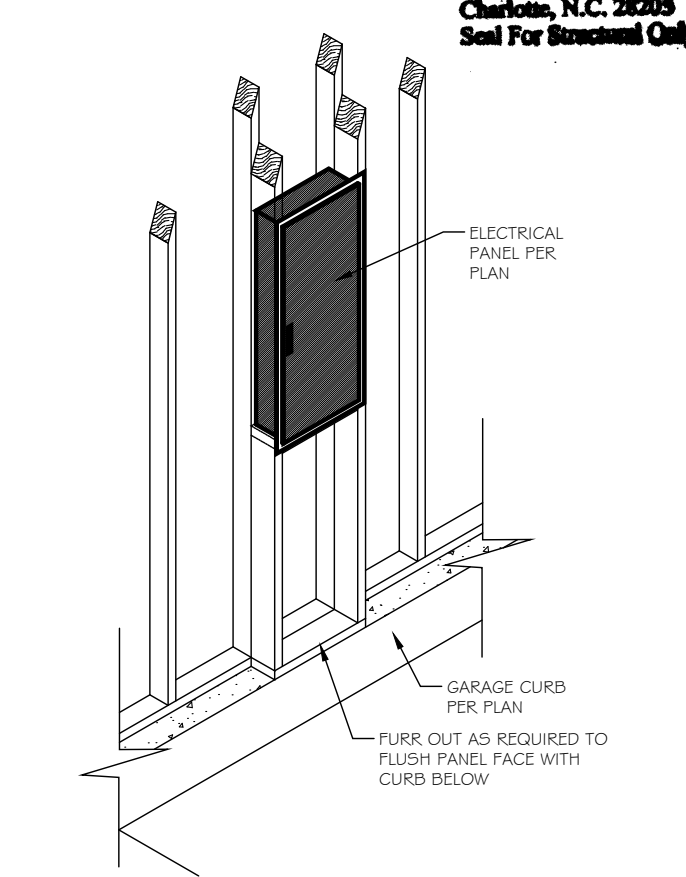
C GARAGE LUG DETAIL - GREATER THAN 1'-6"
SCALE: NOT TO SCALE



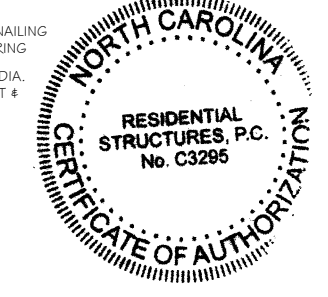
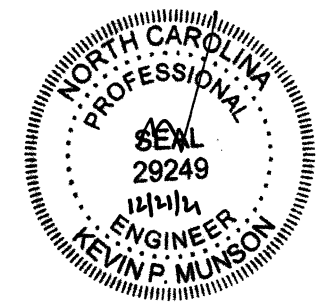
E TRUSS BLOCKING REQUIREMENTS
N.T.S.



D GARAGE LUG DETAIL - LESS THAN 1'-6"
SCALE: NOT TO SCALE



F ELECTRICAL PANEL REQUIREMENTS
N.T.S.



RESIDENTIAL STRUCTURES, P.C.
3410 N. Davidson St.
Charlotte, N.C. 28205
Seal For Structural Only

TrueHomes
IT'S ALL ABOUT U
2649 Breckridge Centre Dr.
Suite 104
Monroe, N.C. 28110
704-271-1191

WALKER GROVE
LOT# 7

KIPLING
2813

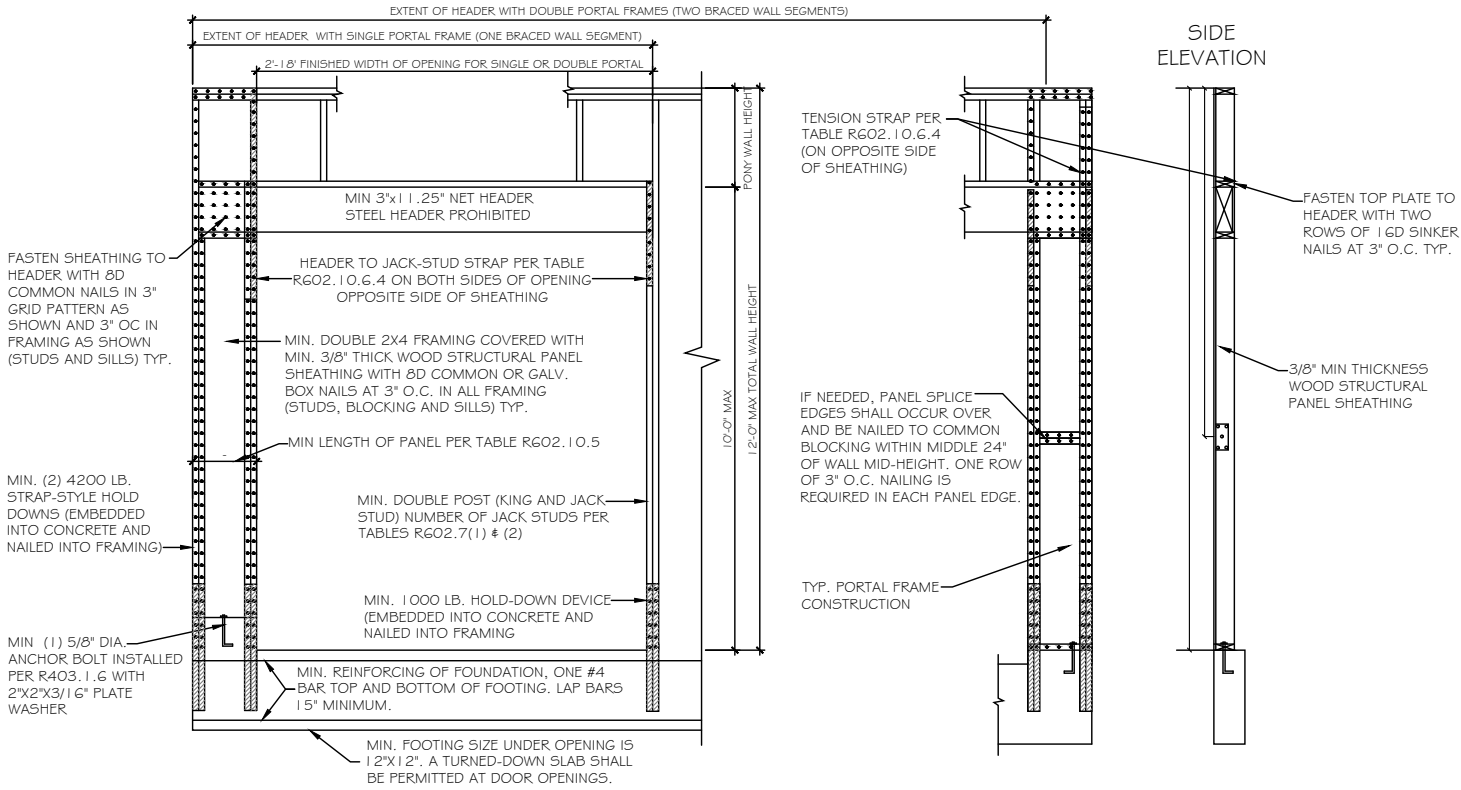
HARNETT

Copyright True Homes L.L.C. All rights reserved. The duplication, reproduction, copying, sale, rental, licensing, or any other distribution or use of these drawings, any portion thereof, or the plans depicted herein is strictly prohibited.
PREPARED BY:
SARAH
DATE:
12-17-2021
SCALE:
AS SHOWN
REVIEWED BY:
NICK

SHEET:
D3

WALL BRACING HAS BEEN DESIGNED IN ACCORDANCE WITH THE 2018 NCRC AND/OR THE 2018 IRC AS ALLOWED PER SECTION R602.10.

OUTSIDE ELEVATION



A PORTAL FRAME METHOD PFH DETAIL

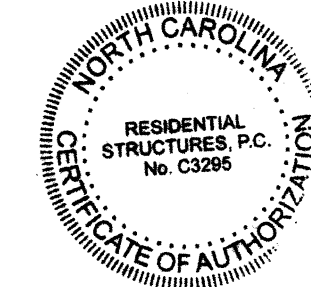
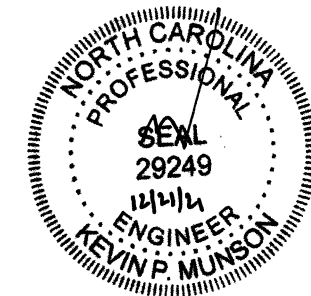
SCALE: 3/8" = 1'-0"

AS A SUBSTITUTE FOR THE USP STAD14 HOLD-DOWN STRAPS LOCATED ON EACH SIDE OF THE GARAGE DOOR OPENING, SIMPSON HDQ8-SD53 (OR USP PHD8) HOLD-DOWNS MAY BE INSTALLED. THE SIMPSON HDQ8-SD53 (USP PHD8) HOLD-DOWNS MAY BE INSTALLED WITH 7/8" THREADED ROD AND SHOULD BE EMBEDDED A MINIMUM OF 8" INTO THE CONCRETE FOOTING OR GROUTED CMU BLOCK WITH HIGH STRENGTH EPOXY. ADDITIONALLY, A 5/8" EXPANSION ANCHOR (6" MIN EMBEDMENT) OR 5/8"x 6" SIMPSON TITEN HD ANCHOR MAY BE INSTALLED AS A REPLACEMENT FOR THE 5/8" "WET SET" ANCHOR BOLT SHOWN IN THE PORTAL FRAMING WITH HOLD-DOWNS DETAIL.

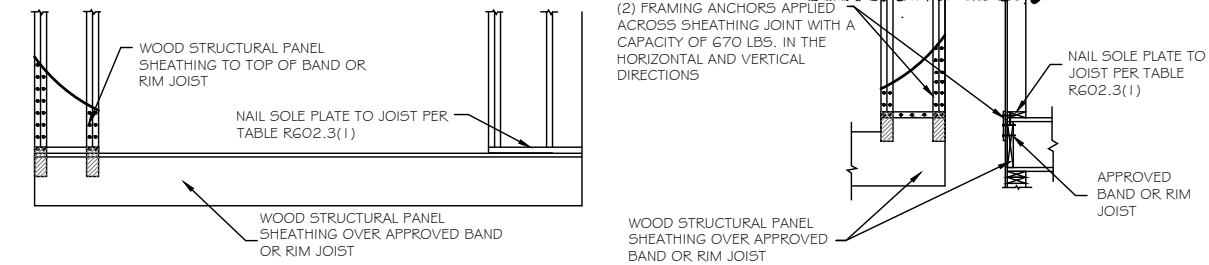
PFH METHOD: PORTAL FRAME WITH HOLD DOWNS GARAGE DOORS AND OPENINGS 6' TO 18'

USP CONVERSION CHART

REF NO.	USP
ABA44Z	PA44E-TZ
BCS2-2/4	BC4010-TZ
C5-1G	R5150
DTT2Z-SD52.5	DTB-TZ
H2.5A	RT7
H2.5A	RT7A
L5-30	MP3
LSTA24	LSTA24
MASAZ	FA3-TZ
STHD14	STAD14
HHUS410	THD410
A24	TDL5
A21	JA1
LSU26	LSSH15-TZ
EPB44	EPB4408
BC6	C66
BC4	C44
LUS28-2	JUS28-2
LUS26	JUS26
ABAGG	PAGGE-TZ
CS22	RS-22R
HDU4-SD5	PHD4A
EPB66T	EPB6608
HDQ8-SD3Z	PHD8
LSTA36	LSTA36G
A34	MP34



RESIDENTIAL STRUCTURES, P.C.
3410 N. Davidson St.
Charlotte, N.C. 28205
Seal For Structural Only

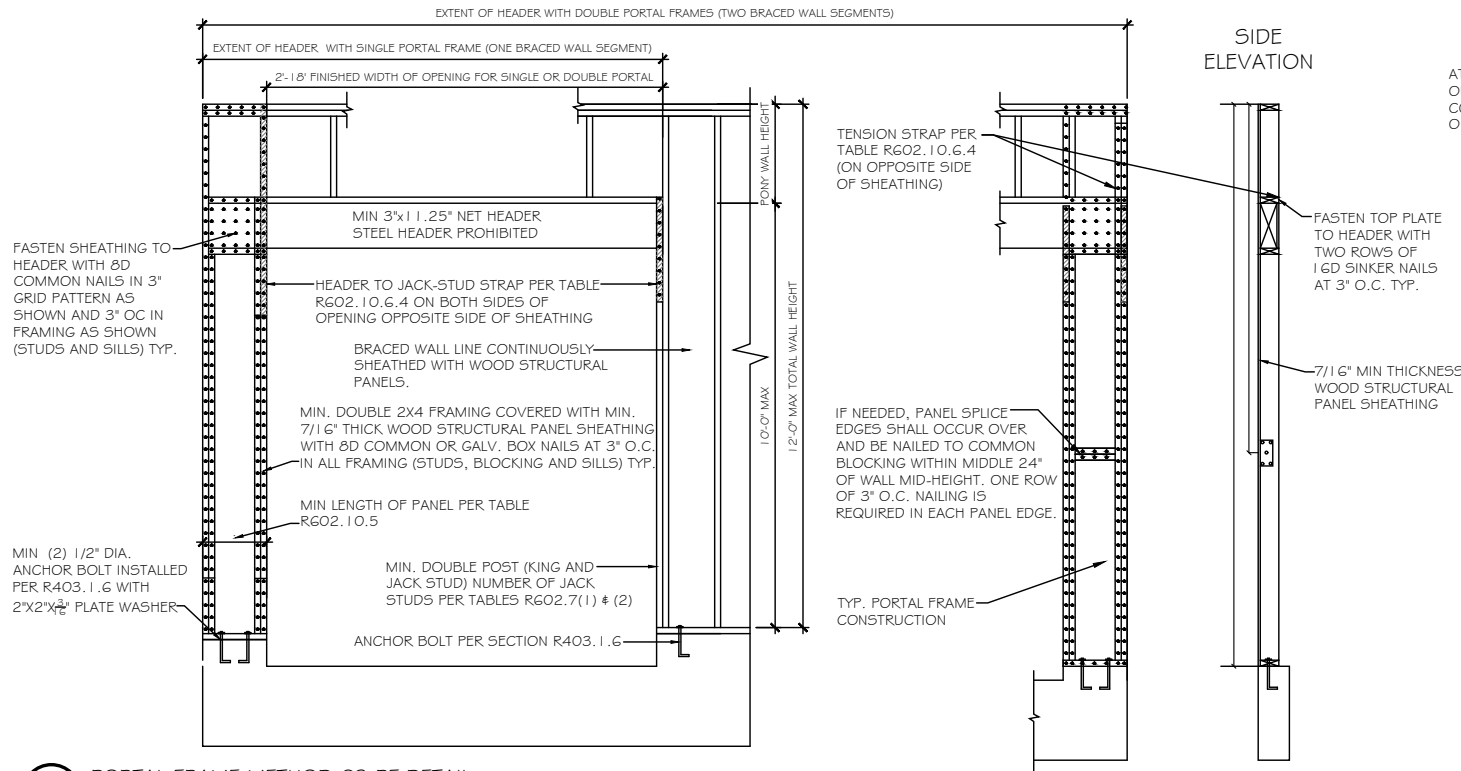


A OVER RAISED WOOD FLOOR - FRAMING ANCHOR OPTION

SCALE: 3/8" = 1'-0"

(WHEN PORTAL SHEATHING DOES NOT LAP OVER BAND OR RIM JOIST)

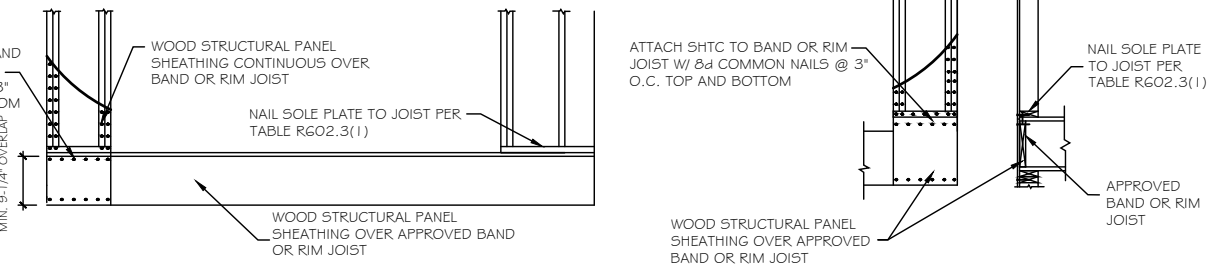
OUTSIDE ELEVATION



A PORTAL FRAME METHOD CS-PF DETAIL

SCALE: 3/8" = 1'-0"

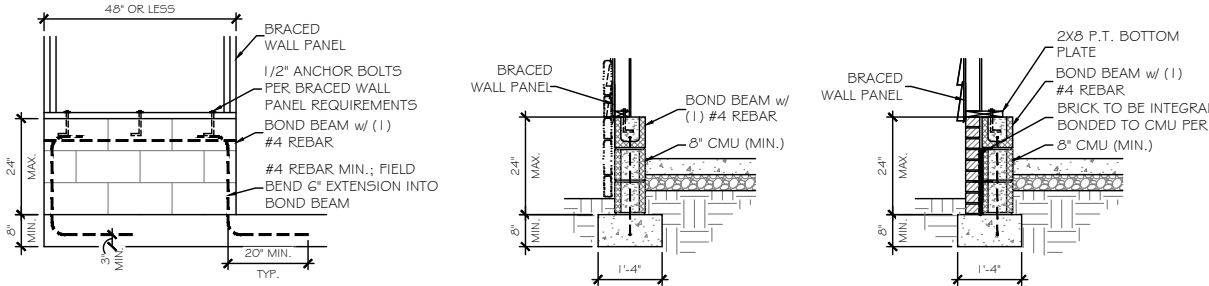
CS-PF METHOD: CONTINUOUSLY SHEATHED PORTAL FRAME-GARAGE DOOR GARAGE DOORS AND OPENINGS 6' AND GREATER



B OVER RAISED WOOD FLOOR - OVERLAP OPTION

SCALE: 3/8" = 1'-0"

(WHEN PORTAL SHEATHING LAPS OVER BAND OR RIM JOIST)



C MASONRY STEM WALL SUPPORTING BRACED WALL PANEL DETAILS

SCALE: 3/8" = 1'-0"

PER 2018 I.R.C. SHORT STEM WALL REINFORCEMENT

TrueHomes
IT'S ALL ABOUT U
2649 Breckridge Centre Dr.
Suite 104
Monroe, N.C. 28110
704-271-1191

WALKER GROVE
LOT# 7

KIPLING
2813
HARNETT

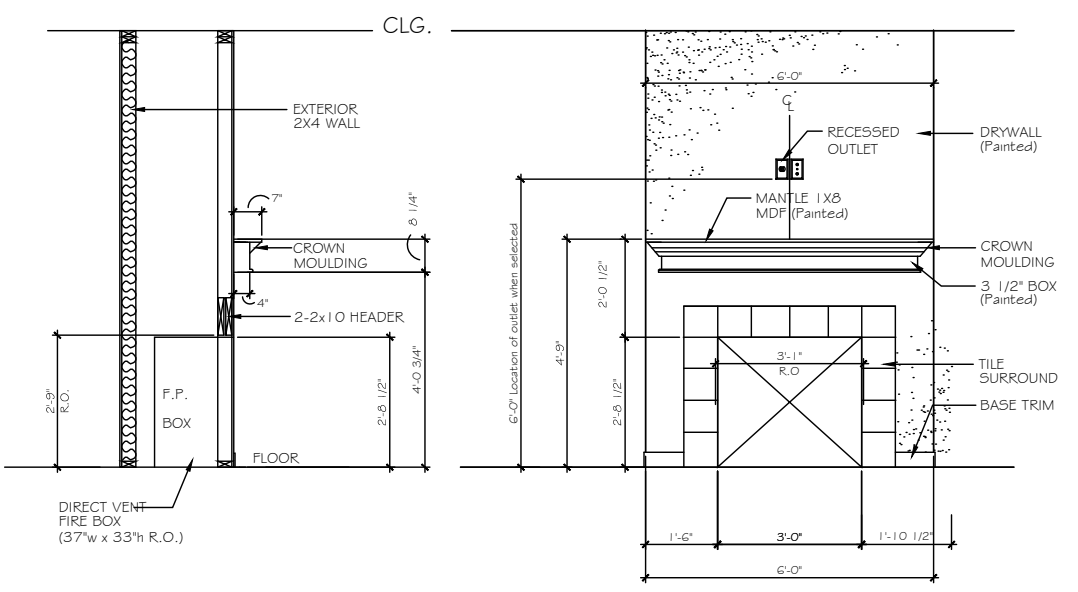
Copyright True Homes L.L.C. All rights reserved. The duplication, reproduction, copying, sale, rental, licensing, or any other distribution or use of these drawings, any portion thereof, or the plans depicted herein is strictly prohibited.
PREPARED BY:
SARAH
DATE:
12-17-2021
SCALE:
AS SHOWN
REVIEWED BY:
NICK

SHEET:
D4

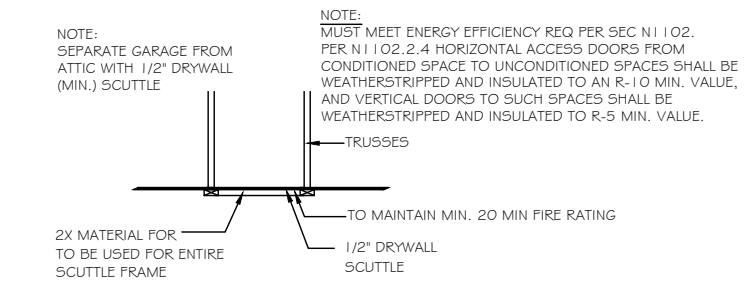
Copyright True Homes L.L.C. All rights reserved. The duplication, reproduction, copying, sale, rental, licensing, or any other distribution or use of these drawings, any portion thereof, or the plans depicted herein is strictly prohibited.

PREPARED BY:
SARAH
 DATE:
 12-17-2021
 SCALE:
 AS SHOWN
 REVIEWED BY:
NICK

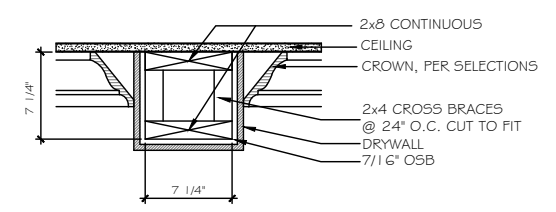
SHEET:
D5



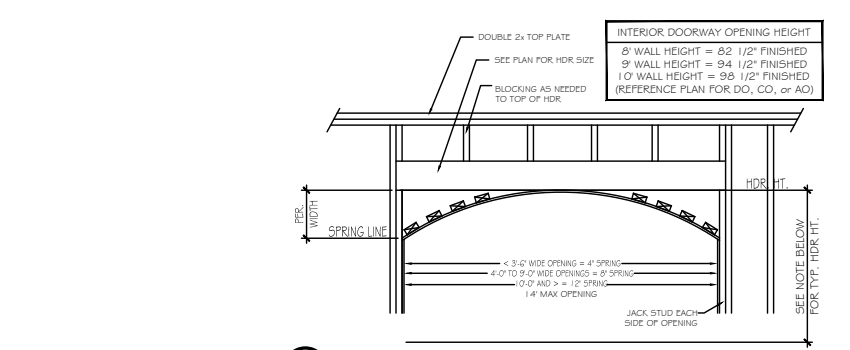
A FIREPLACE OPTION 1
 SCALE: 3/8" = 1'-0"



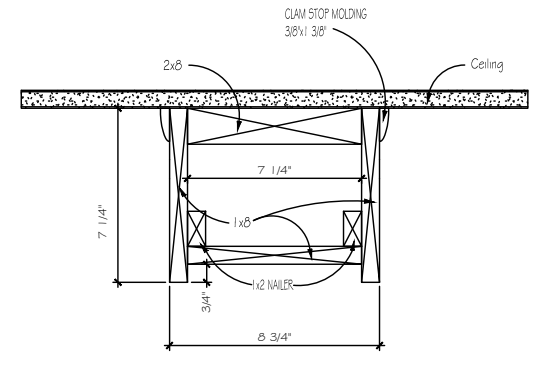
B ATTIC ACCESS PANEL DETAIL
 SCALE: N.T.S.



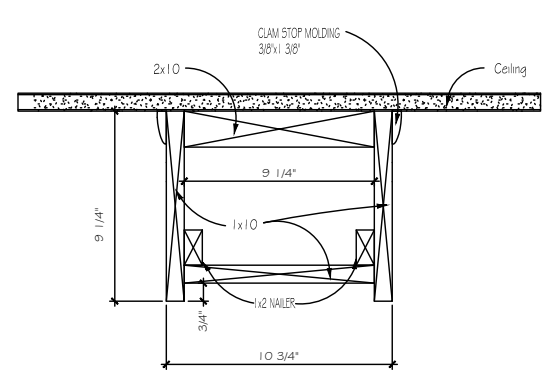
C 8" DRYWALL BEAM DETAIL - LIVING/DINING/STUDY
 SCALE: N.T.S.



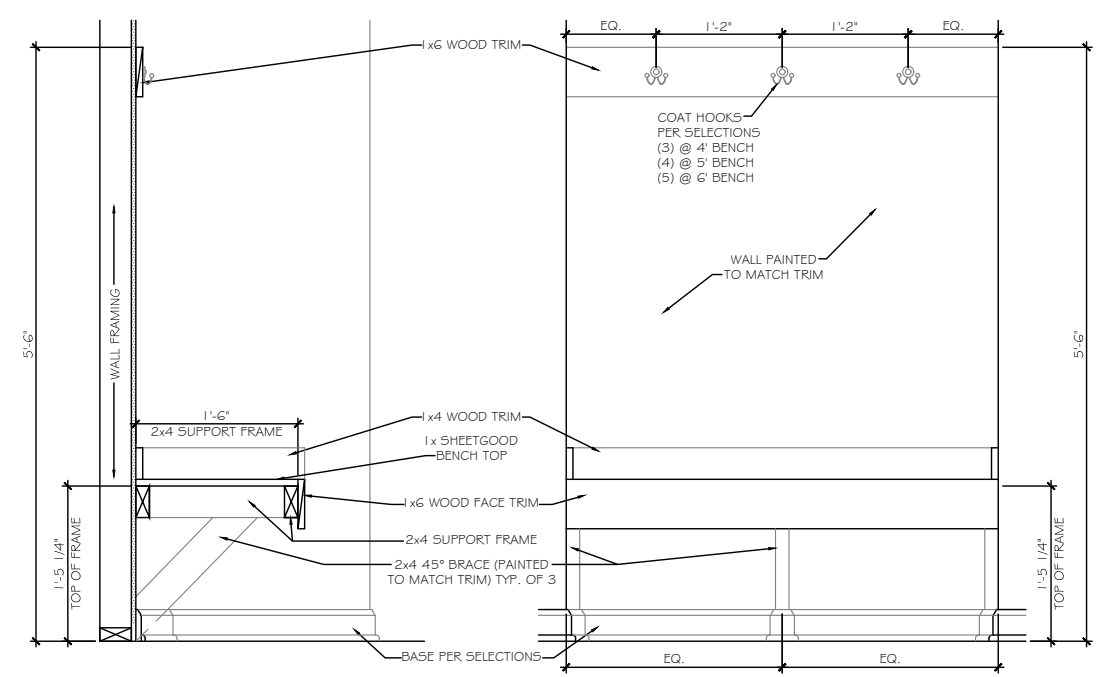
D ARCHED OPENING DETAIL
 SCALE: 3/8" = 1'-0"



E 9" CEILING
 *WOOD FAUX BEAMS KITCHEN/NOOK ONLY

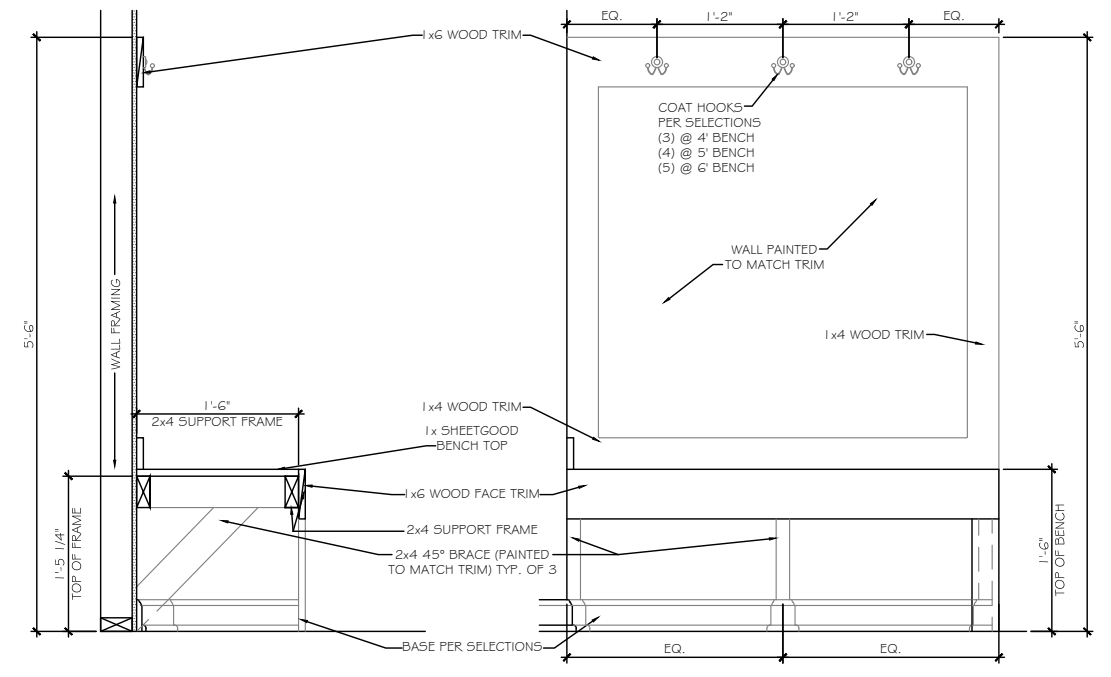
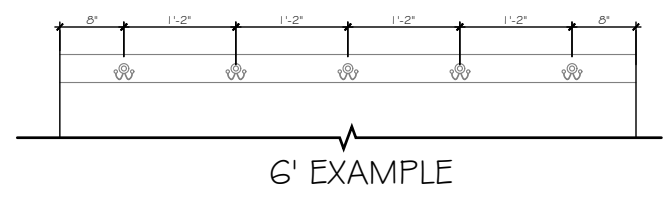
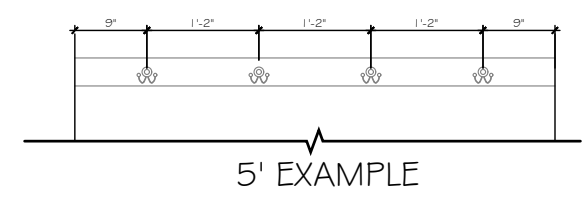


F 10" CEILING
 *WOOD FAUX BEAMS KITCHEN/NOOK ONLY



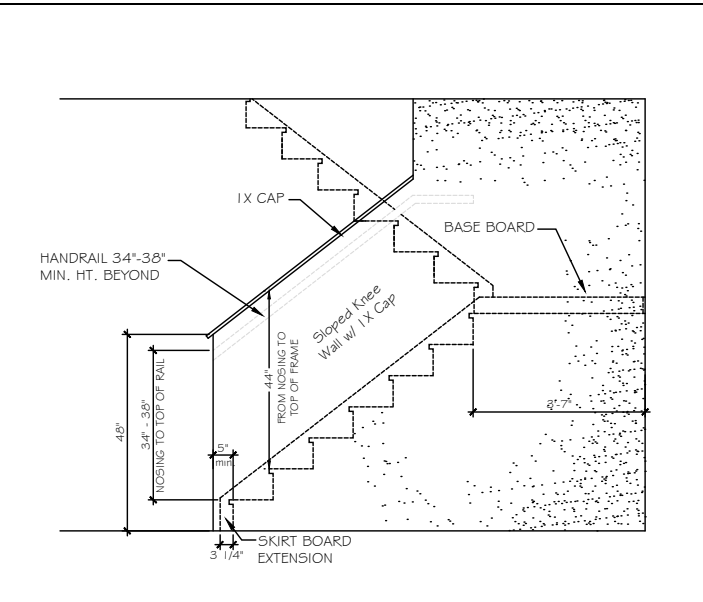
SECTION AT OPEN BENCH
 SCALE: NOT TO SCALE WALL END CONDITION

ELEVATION AT OPEN BENCH
 SCALE: NOT TO SCALE WALL END CONDITION

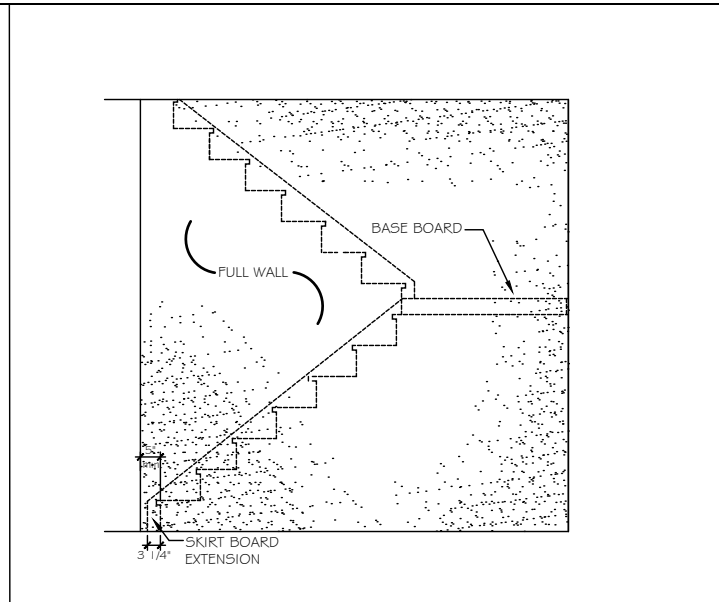


SECTION AT OPEN BENCH
 SCALE: NOT TO SCALE OPEN END CONDITION

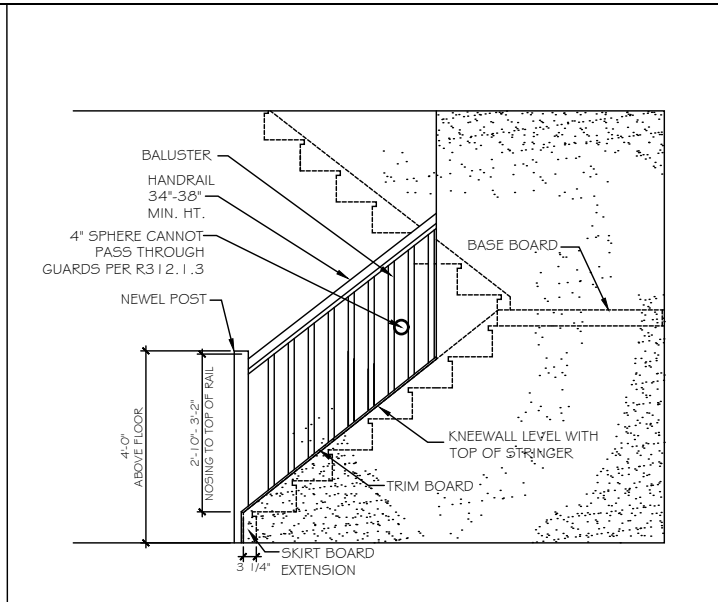
ELEVATION AT OPEN BENCH
 SCALE: NOT TO SCALE OPEN END CONDITION



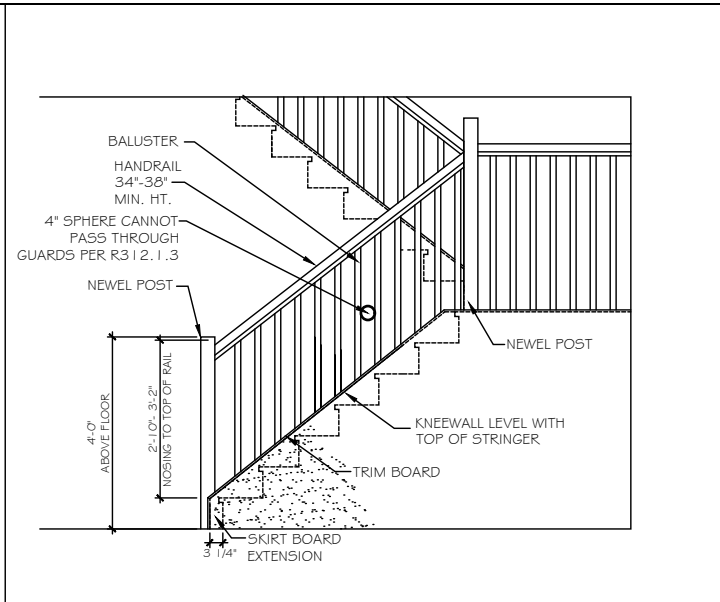
ST-1 48° SLOPED WALL w/ 1x CAP



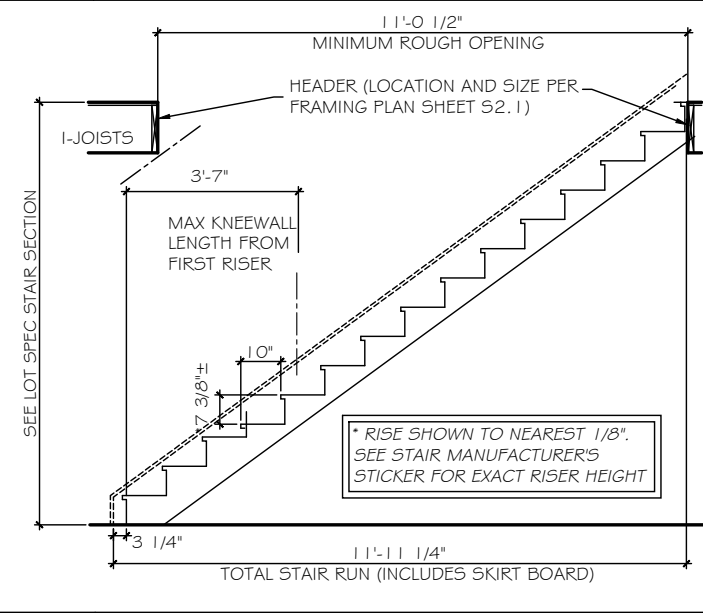
ST-2 FULL WALL



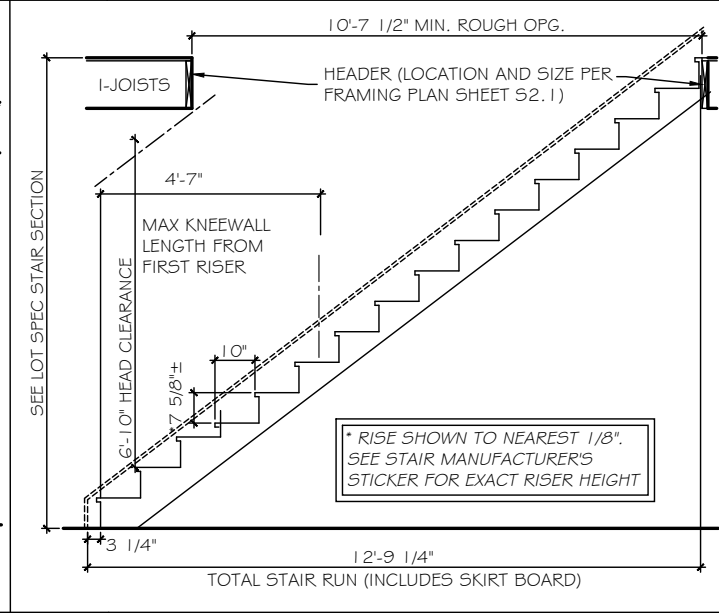
ST-3 OPT. OPEN RAIL



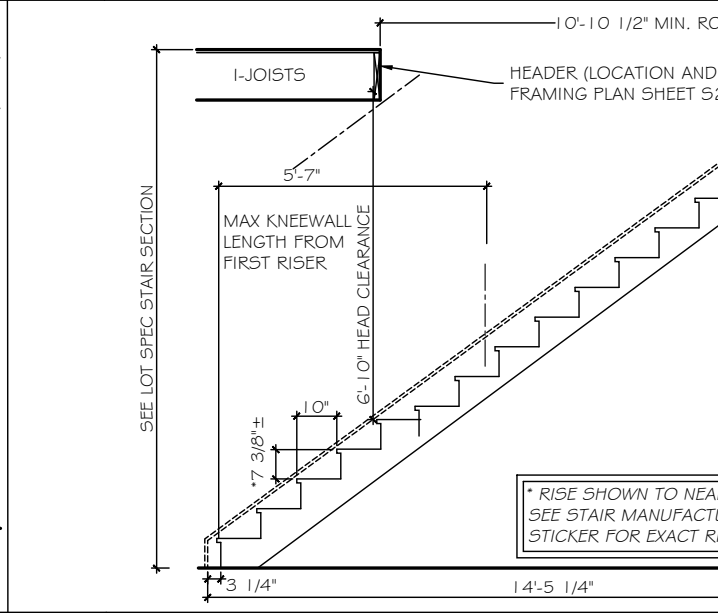
ST-4 OPT. OPEN RAIL FULL STAIR



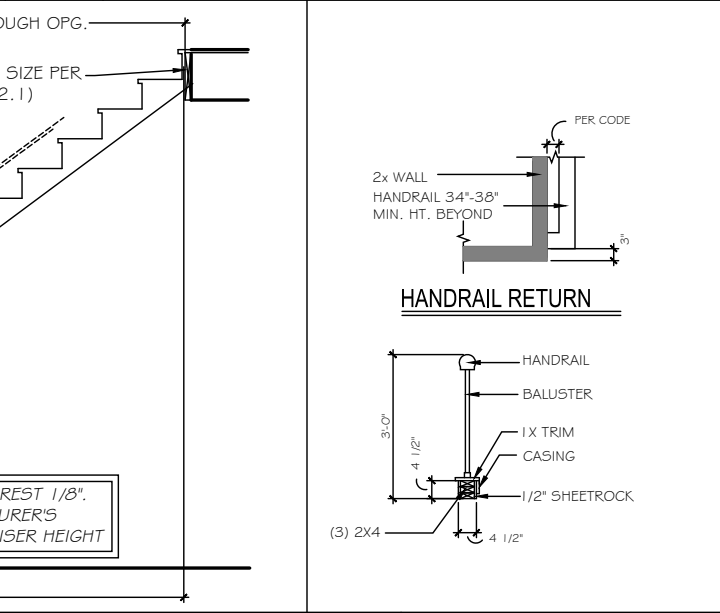
ST-5 STRAIGHT STAIR SECTION - 8ft CEILING HEIGHT w/ 11 7/8\"/>



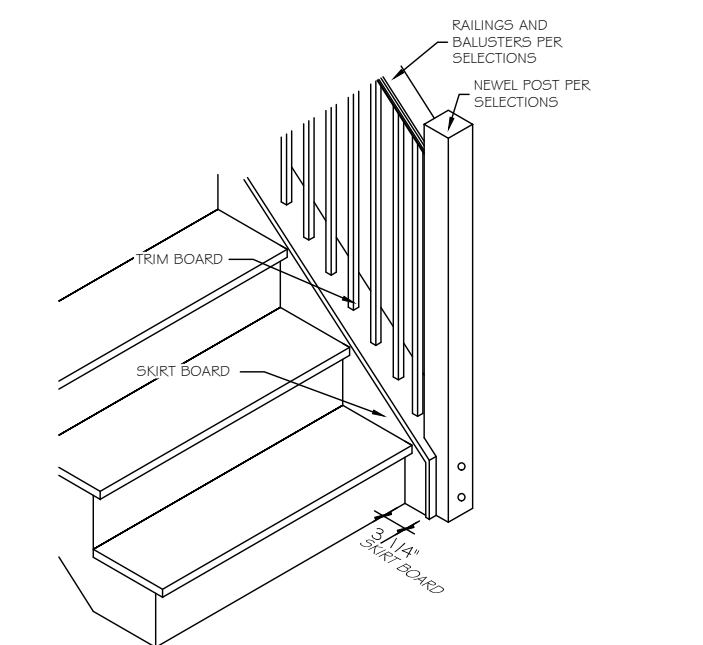
ST-6 STRAIGHT STAIR SECTION - 9ft CEILING HEIGHT w/ 11 7/8\"/>



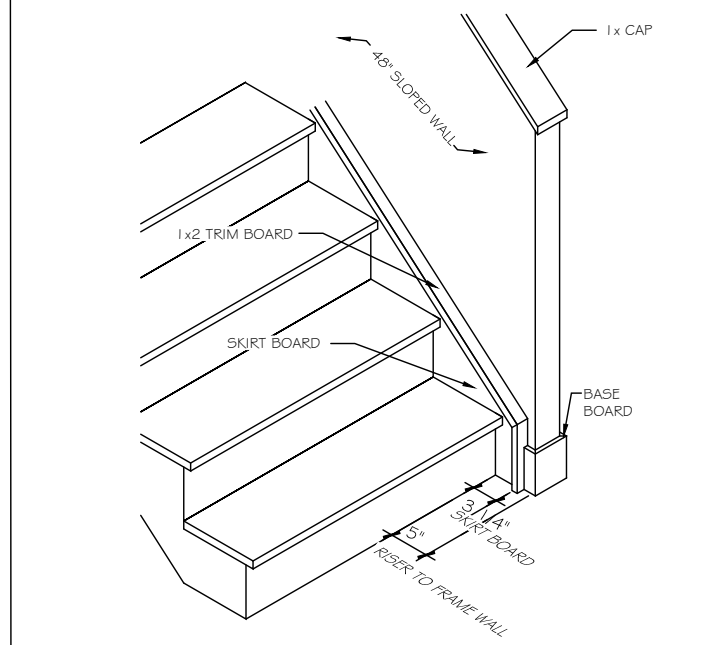
ST-7 STRAIGHT STAIR SECTION - 10ft CEILING HEIGHT w/ 11 7/8\"/>



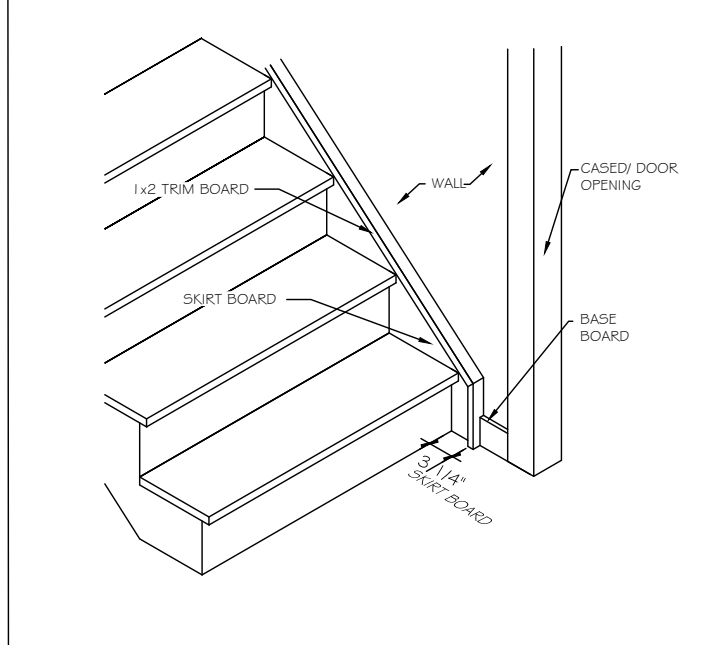
ST-8 HANDRAILS



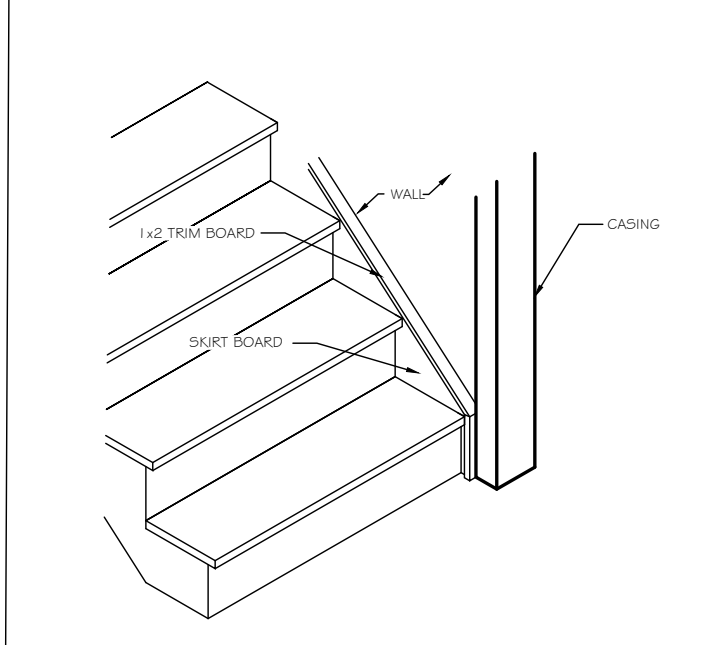
ST-9 OPT. OPEN RAIL - ISO



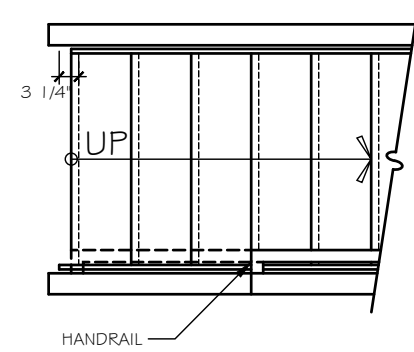
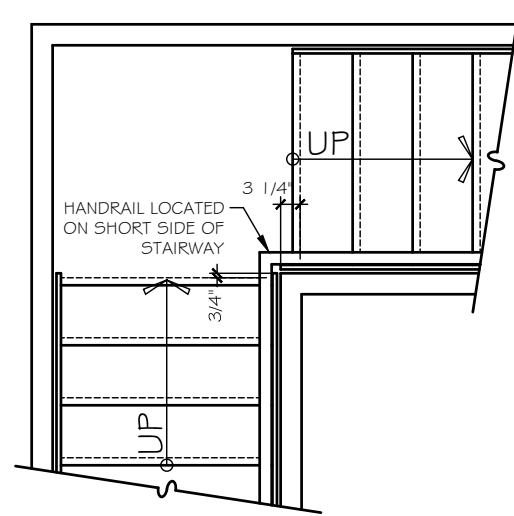
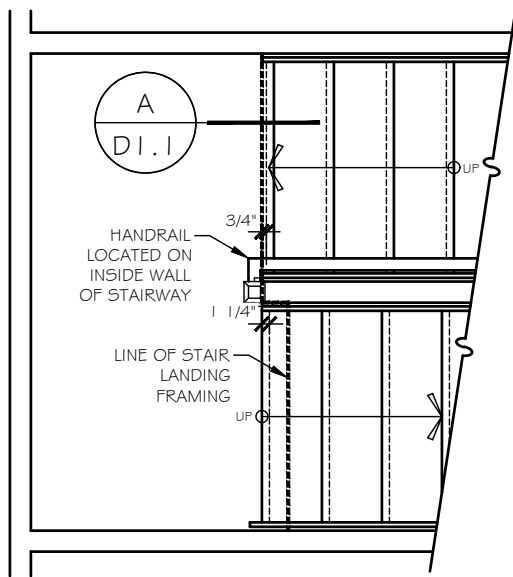
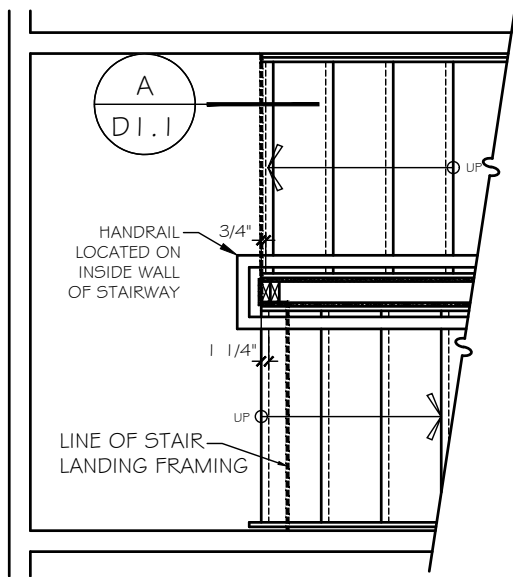
ST-10 48° SLOPED WALL w/ 1x CAP - ISO



ST-11 STAIRS @ CASED OPENING - ISO



ST-12 TRIM SKIRT BOARD @ CASED OPENING



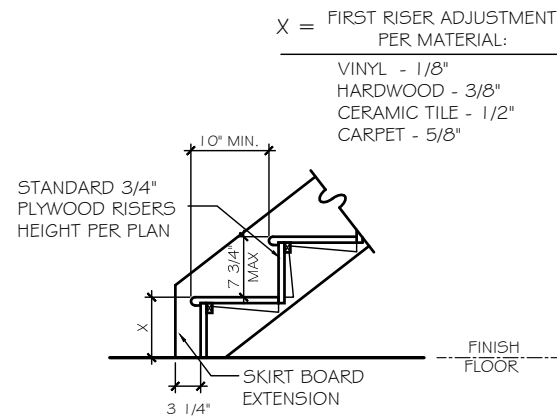
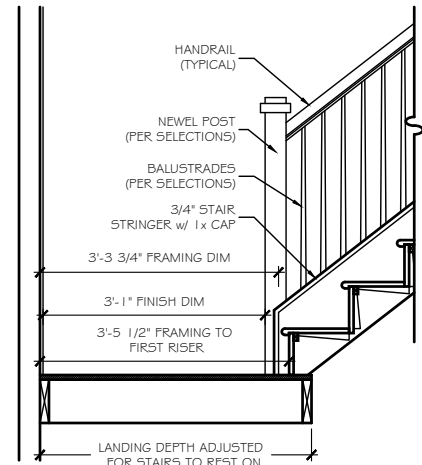
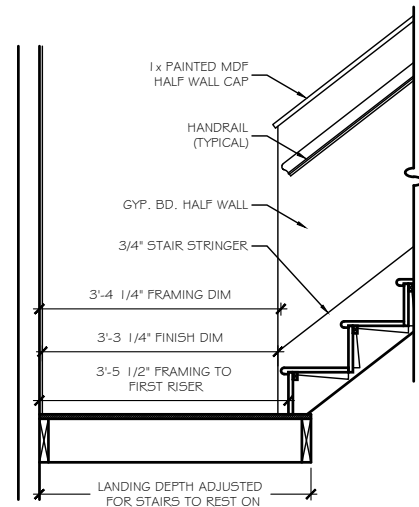
FOR STRAIGHT RUN STAIRWAYS WITHOUT AN INTERMEDIATE LANDING BETWEEN FLOORS, THE HANDRAIL SHOULD BE LOCATED ON THE SAME SIDE AS A FIRST FLOOR HALF WALL OR OPEN RAIL; IF BOTH SIDES HAVE A FIRST FLOOR HALF WALL OR OPEN RAIL, OR IF NONE EXIST, LOCATE THE HANDRAIL ON THE RIGHT SIDE OF THE STAIRWAY

ST-13 STAIR LANDING HALF WALL w/ CAP

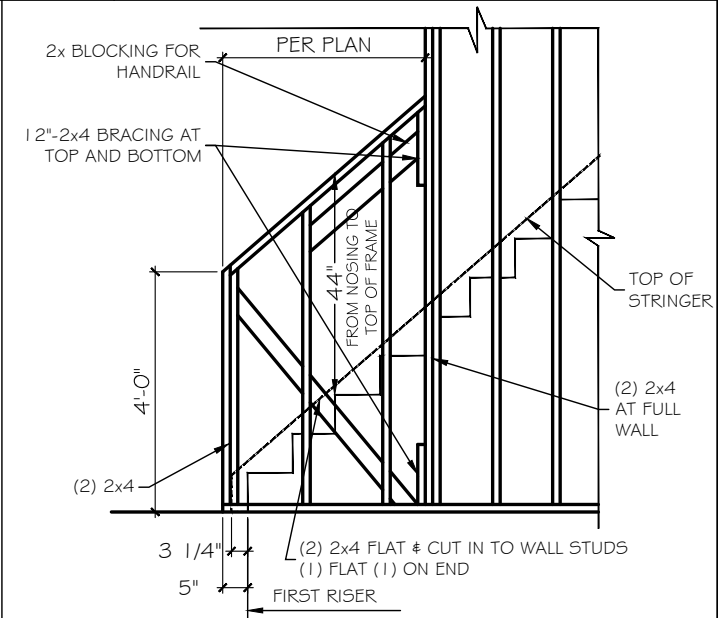
ST-14 STAIR LANDING NEWEL POST & BALUSTRADES

ST-15 STAIR LANDING FULL WALL

ST-15a STAIR w/o INTERMEDIATE LANDING



X = FIRST RISER ADJUSTMENT PER MATERIAL:
 VINYL - 1/8"
 HARDWOOD - 3/8"
 CERAMIC TILE - 1/2"
 CARPET - 5/8"

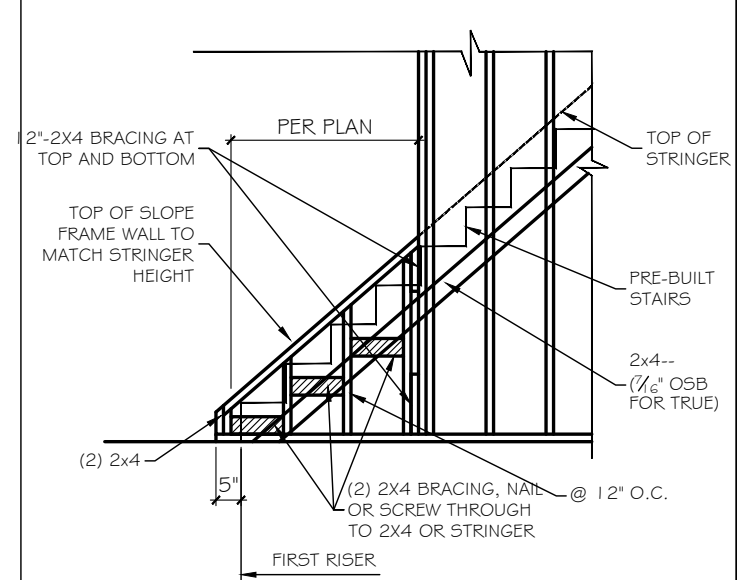
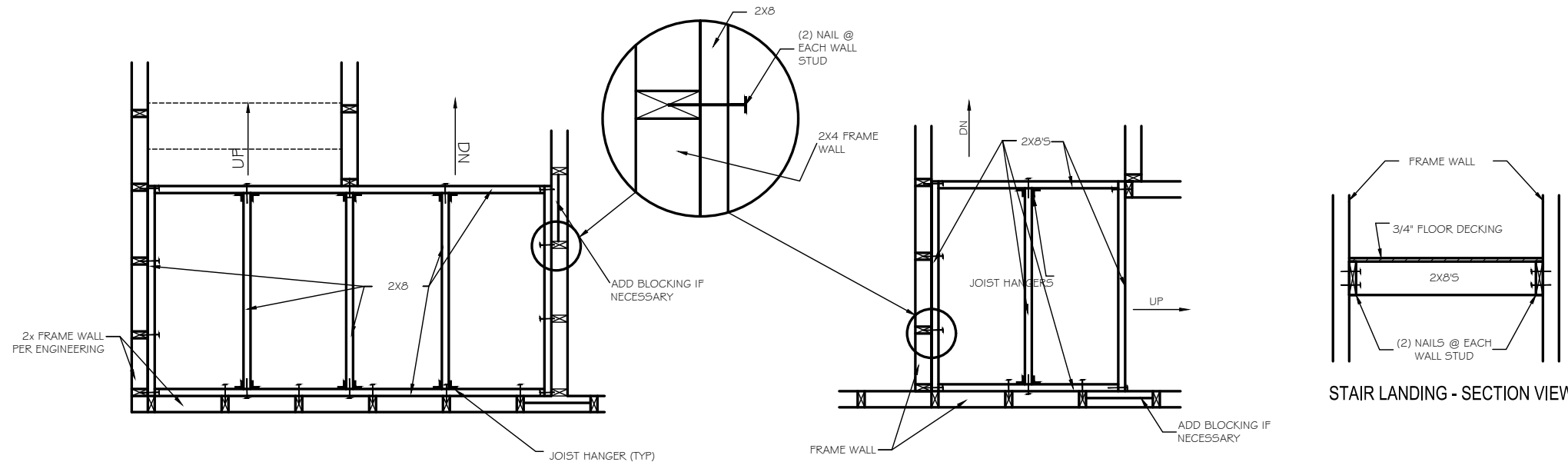


ST-17 SECTION A- SLOPED WALL

ST-18 SECTION A- OPEN RAIL

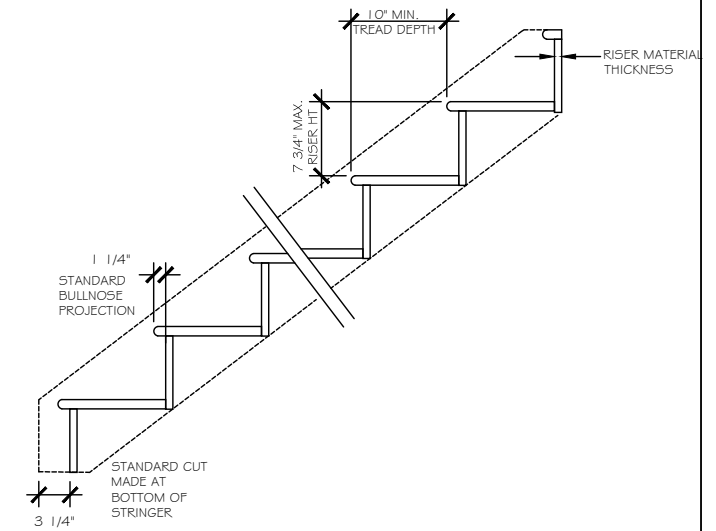
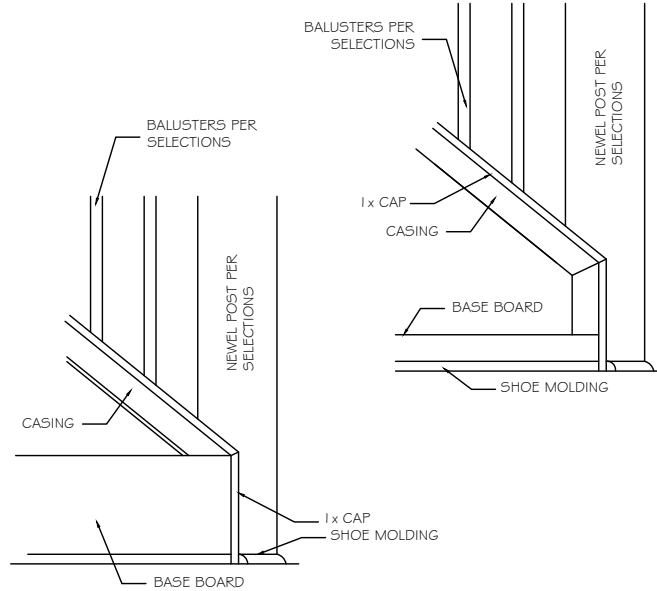
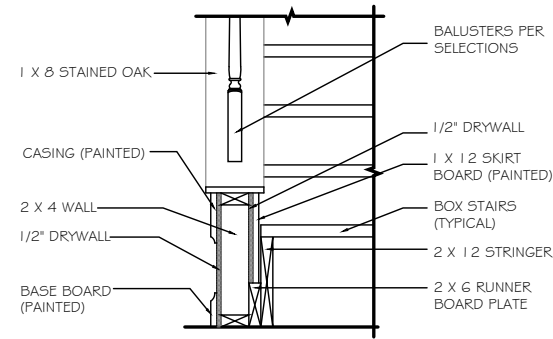
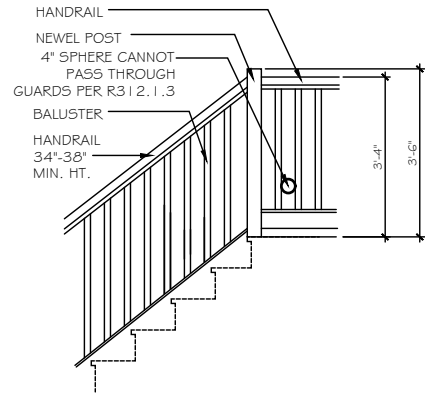
ST-19 STAIR SECTION - FIRST FLOOR

ST-16 SLOPED WALL @ STAIRS - FRAMING



ST-21 STAIR LANDING - PLAN VIEW

ST-20 OPEN RAIL - CURB WALL FRAMING

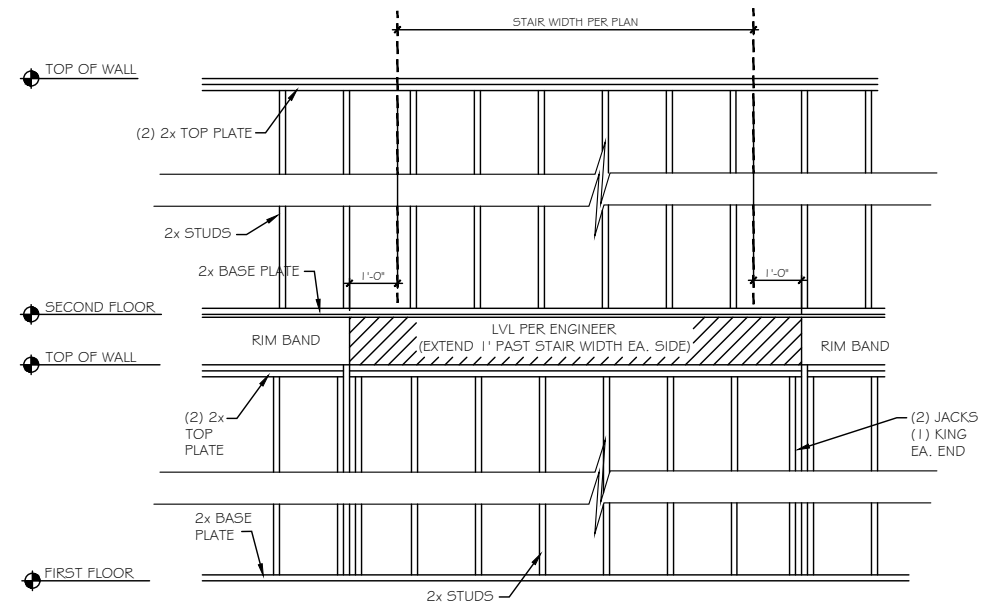
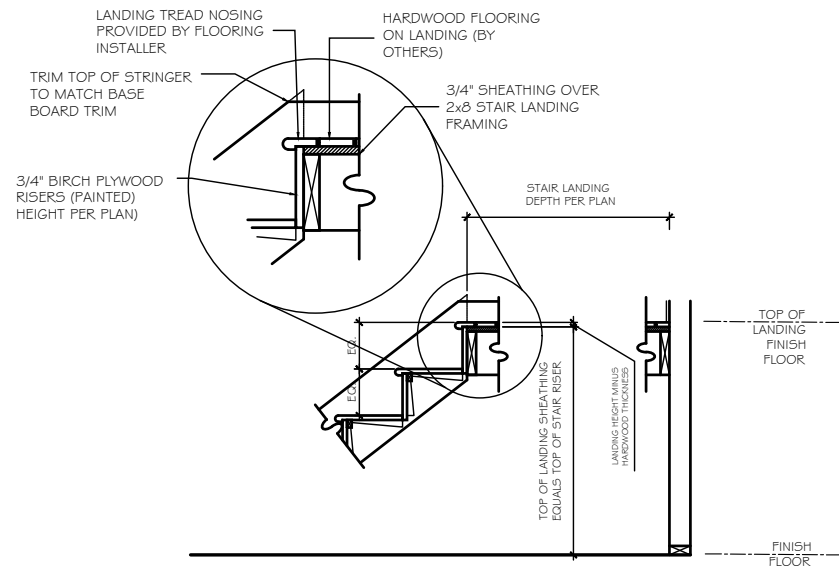


ST-23 OPT. OPEN RAIL AT LANDING

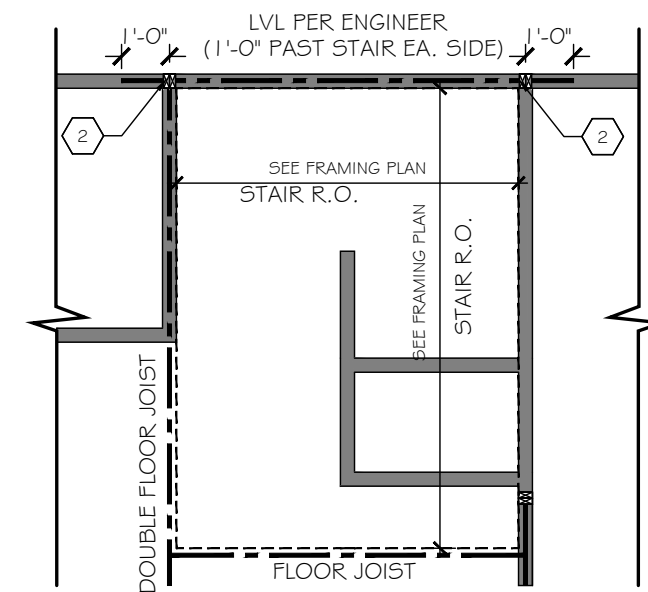
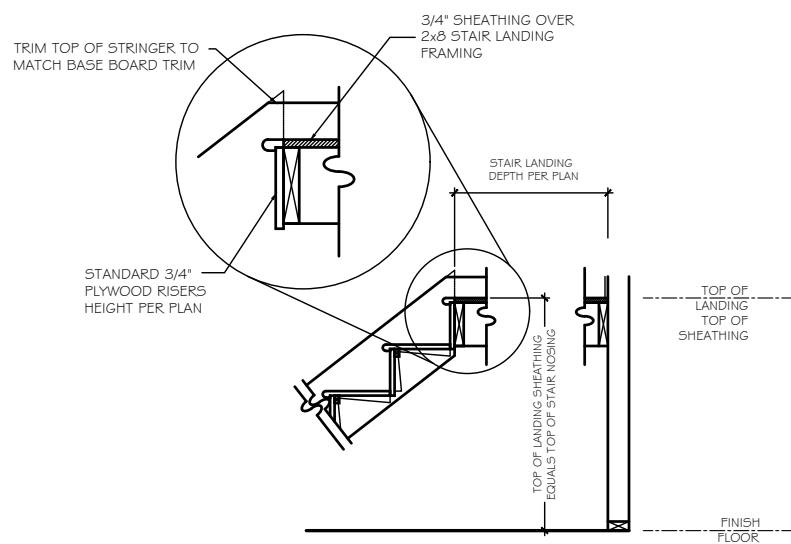
ST-24 SECTION @ CURB WALL

ST-25 OUTSIDE TRIM @ STAIR CURB WALL

STAIR SECTION



ST-26 STAIR SECTION - HARDWOOD STAIRS AND LANDING



ST-27 STAIR SECTION - CARPET STAIRS AND LANDING

ST-28 EXTERIOR WALL FRAMING @ U-SHAPED STAIRS in BALLOON FRAMING

TrueHomes
 IT'S ALL ABOUT U
 2649 Breckridge Centre Dr.
 Suite 104
 Monroe, N.C. 28110
 704-271-1191

WALKER GROVE

LOT# 7

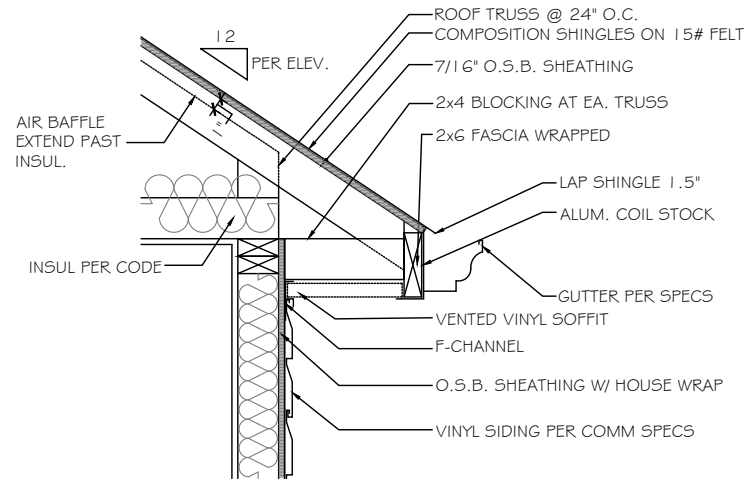
KIPLING
 2813

HARNETT

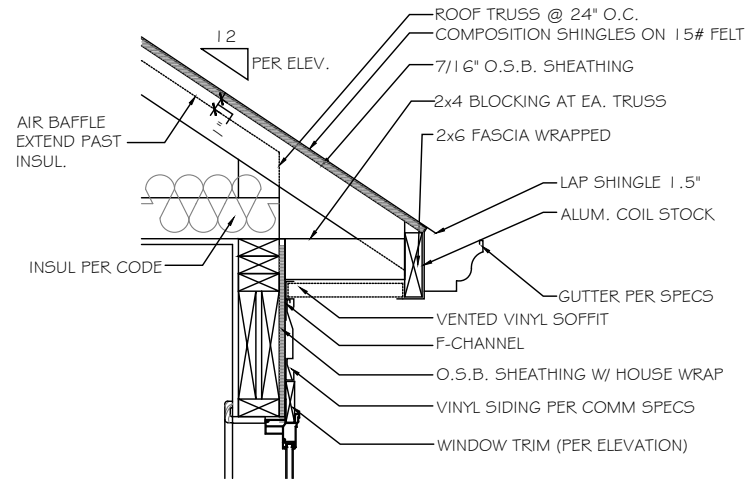
Copyright True Homes L.L.C. All rights reserved. The duplication, reproduction, copying, sale, rental, licensing, or any other distribution or use of these drawings, any portion thereof, or the plans depicted hereon is strictly prohibited.

PREPARED BY:
SARAH
 DATE:
 12-17-2021
 SCALE:
 AS SHOWN
 REVIEWED BY:
NICK

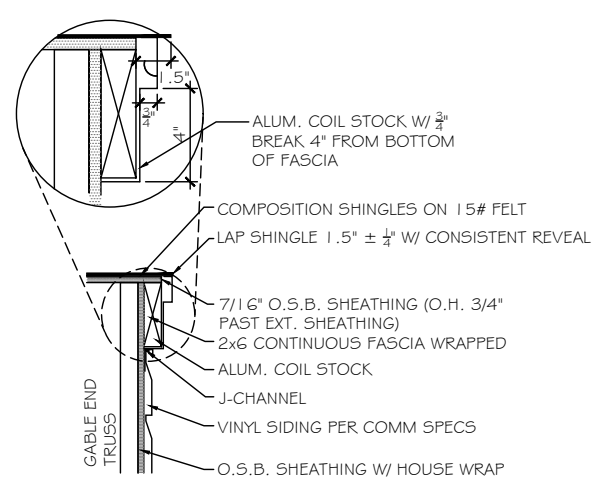
SHEET:
D5.3



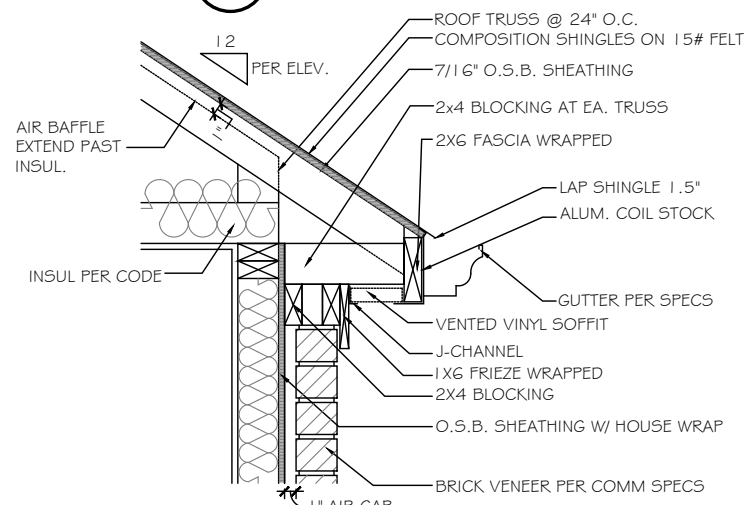
A CORNICE DETAIL - VINYL/VINYL
SCALE: NOT TO SCALE SIDES & REAR



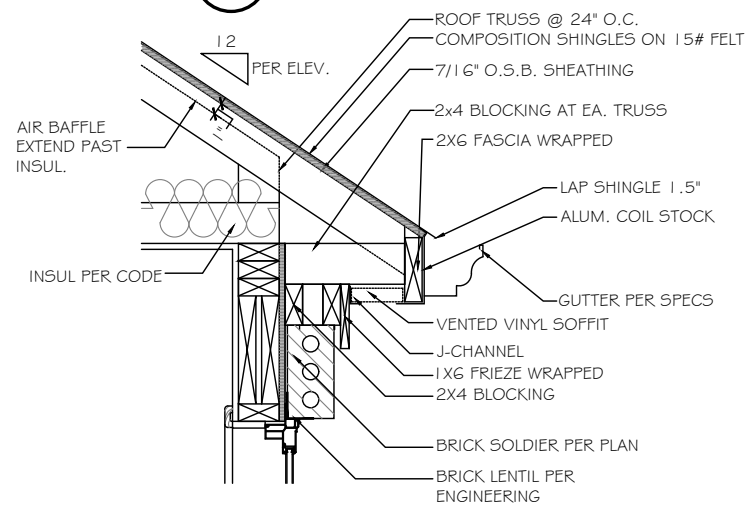
B CORNICE DETAIL - VINYL/VINYL
SCALE: NOT TO SCALE OVER WINDOW



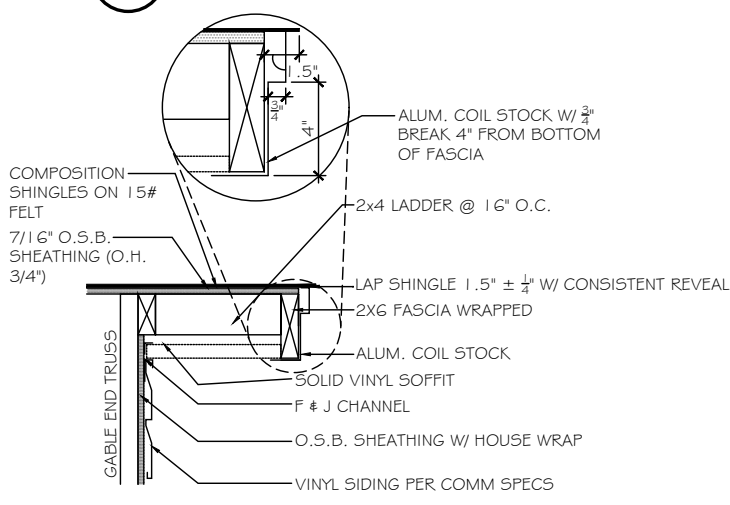
C FLUSH RAKE DETAIL - VINYL/VINYL
SCALE: NOT TO SCALE GABLE END



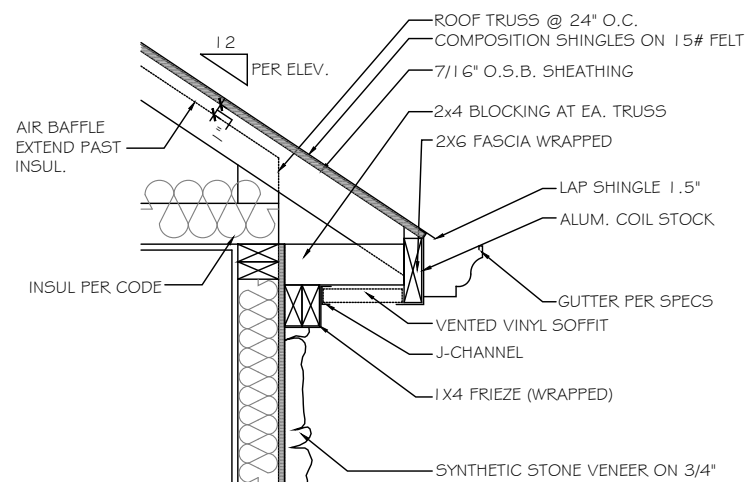
D BRICK CORNICE DETAIL - VINYL/VINYL
SCALE: NOT TO SCALE FRONT



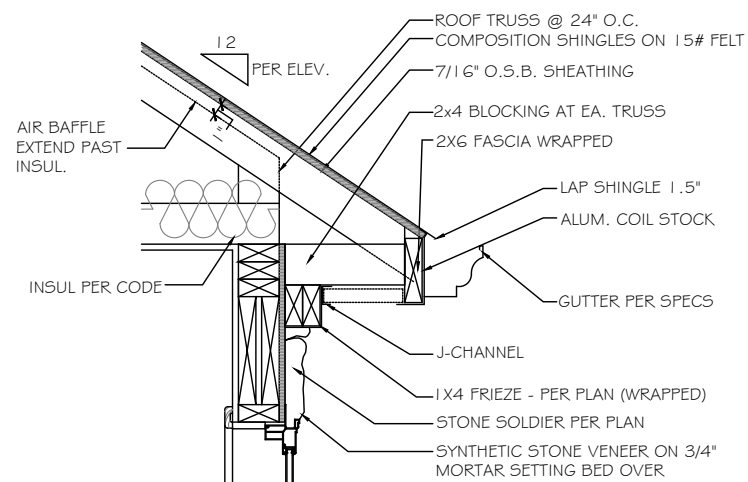
E BRICK CORNICE DETAIL - VINYL/VINYL
SCALE: NOT TO SCALE OVER WINDOW



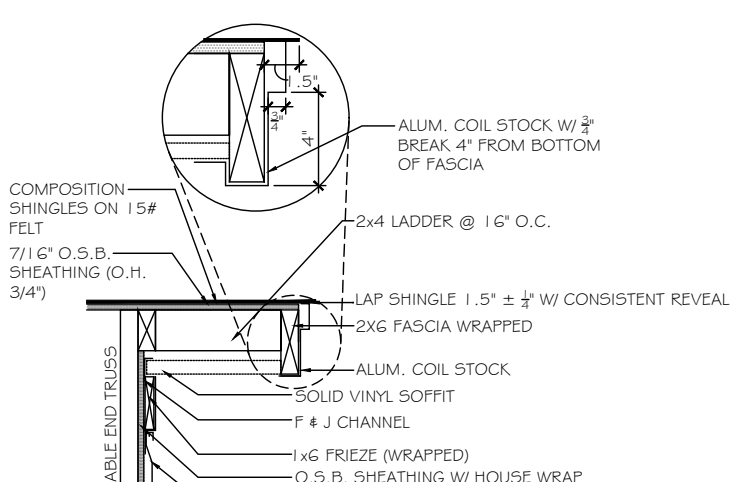
F RAKE OVERHANG DETAIL - VINYL/VINYL
SCALE: NOT TO SCALE GABLE END SIDE



G STONE CORNICE DETAIL - VINYL/VINYL
SCALE: NOT TO SCALE FRONT & REAR



H STONE CORNICE DETAIL - VINYL/VINYL
SCALE: NOT TO SCALE OVER WINDOW



J RAKE OVERHANG DETAIL w/ FRIEZE - VINYL/VINYL
SCALE: NOT TO SCALE FRONT

TrueHomes
IT'S ALL ABOUT U
2649 Breckridge Centre Dr.
Suite 104
Monroe, N.C. 28110
704-271-1191

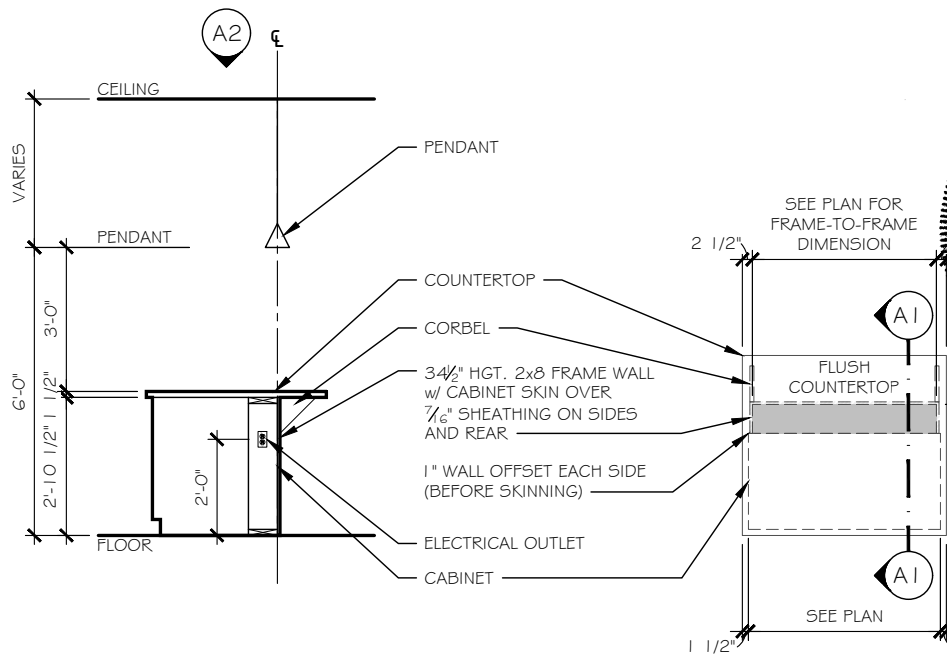
WALKER GROVE
LOT# 7

KIPLING
2813

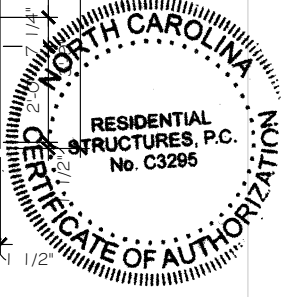
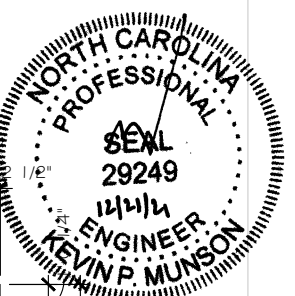
HARNETT

Copyright True Homes L.L.C. All rights reserved. The duplication, reproduction, copying, sale, rental, licensing, or any other distribution or use of these drawings, any portion thereof, or the plans depicted hereon is strictly prohibited.
PREPARED BY:
SARAH
DATE:
12-17-2021
SCALE:
AS SHOWN
REVIEWED BY:
NICK

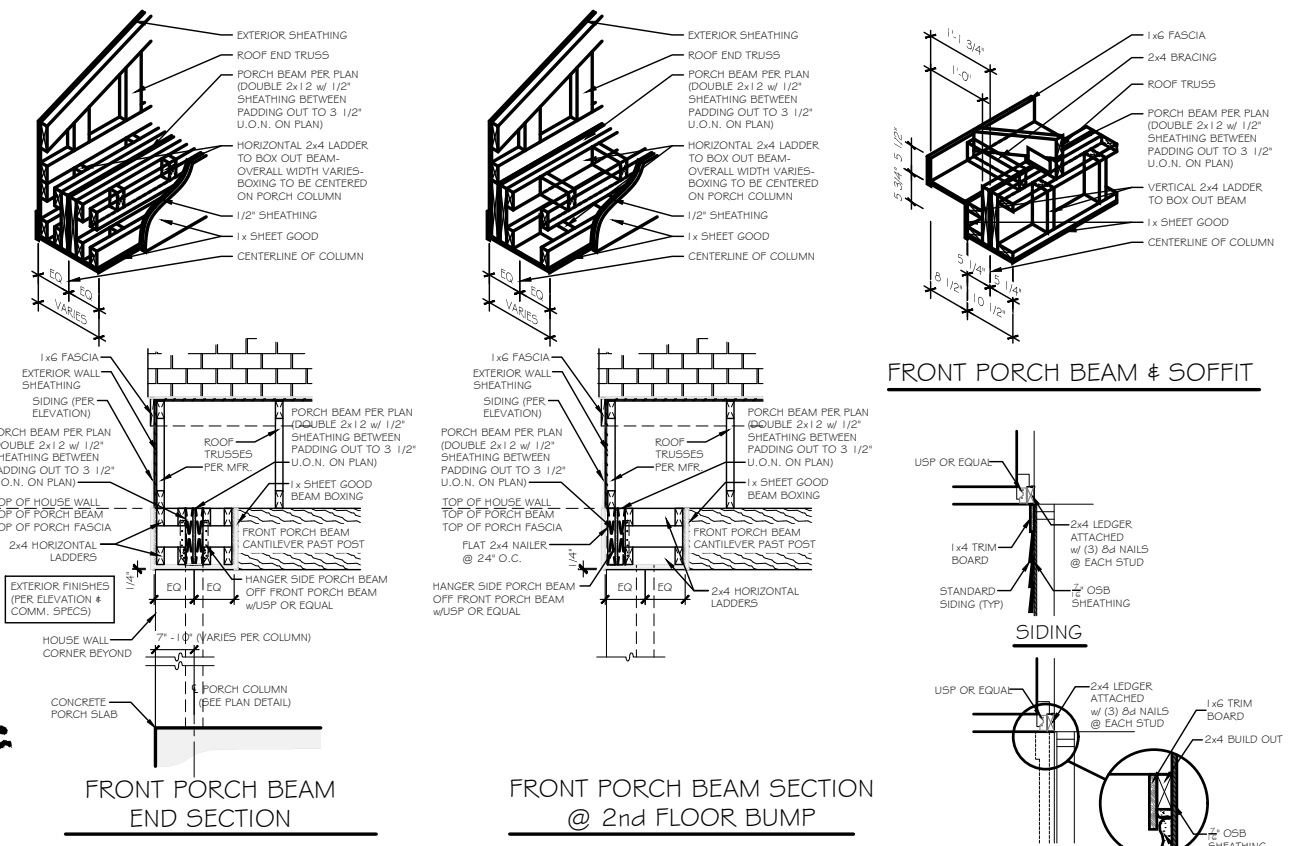
SHEET:
D9



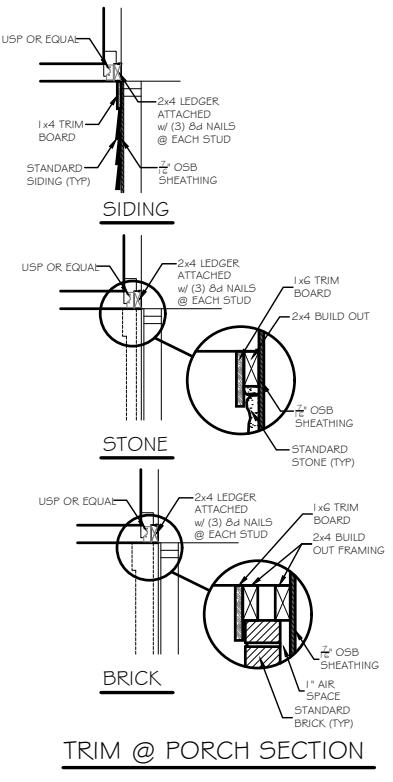
A1 ISLAND SECTION 'A1'
A2 ISLAND PLAN DETAIL 'A2'
A KITCHEN ISLAND DETAILS - FLUSH COUNTERTOP w/ HALF WALL



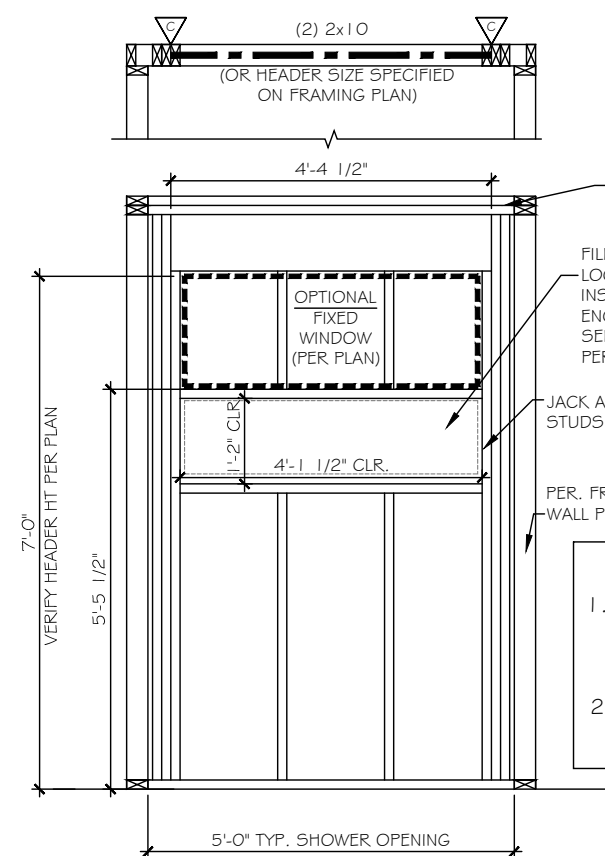
RESIDENTIAL STRUCTURES, P.C.
 3410 N. Davidson St.
 Charlotte, N.C. 28205
 Seal For Structural Only



FRONT PORCH BEAM END SECTION
FRONT PORCH BEAM SECTION @ 2nd FLOOR BUMP
FRONT PORCH BEAM & SOFFIT

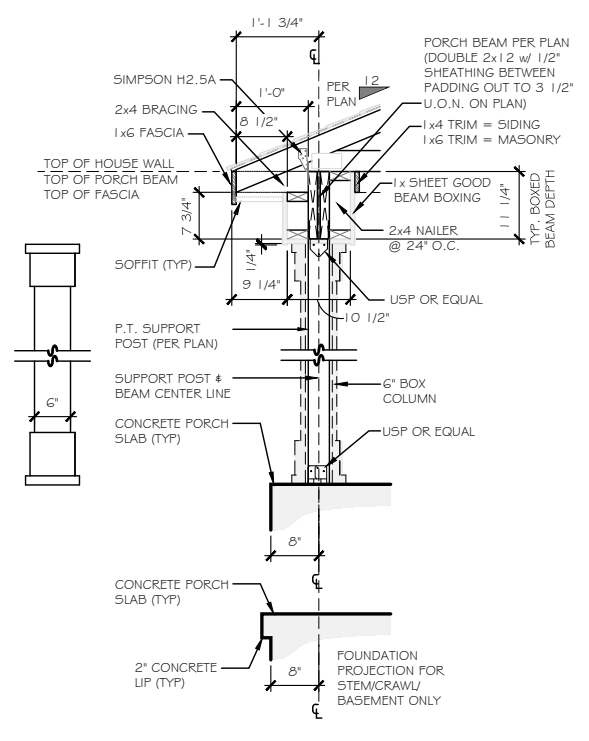


TRIM @ PORCH SECTION

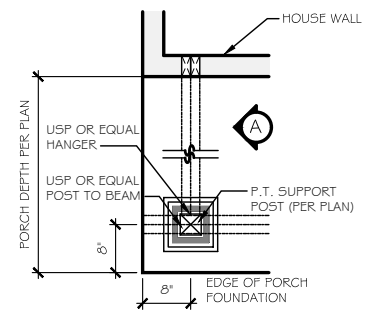


- NOTES:**
1. PLAN DIMENSIONS SUPERCEDE DETAIL DIMENSIONS
 2. WINDOW IS OPTIONAL. SEE FLOOD PLAN TO VERIFY IF WINDOW WAS SELECTED

C TILE WALL NICHE DETAIL



6" BOX COLUMN SECTION DETAIL



6" BOX COLUMN PLAN

B FRONT PORCH COLUMN DETAIL
 NOTE: PLAN DIMENSIONS SUPERCEDE DETAIL DIMENSIONS

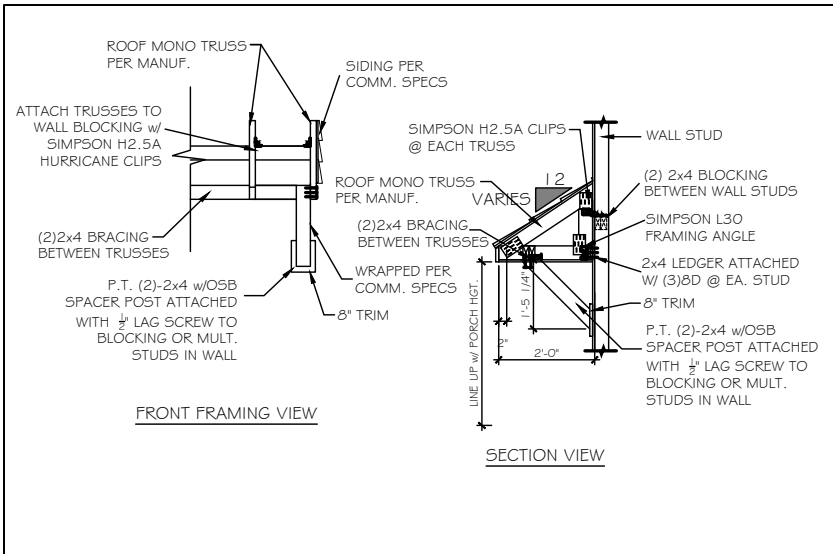
TrueHomes
 IT'S ALL ABOUT U
 2649 Breckridge Centre Dr.
 Suite 104
 Monroe, N.C. 28110
 704-271-1191

WALKER GROVE
LOT# 7

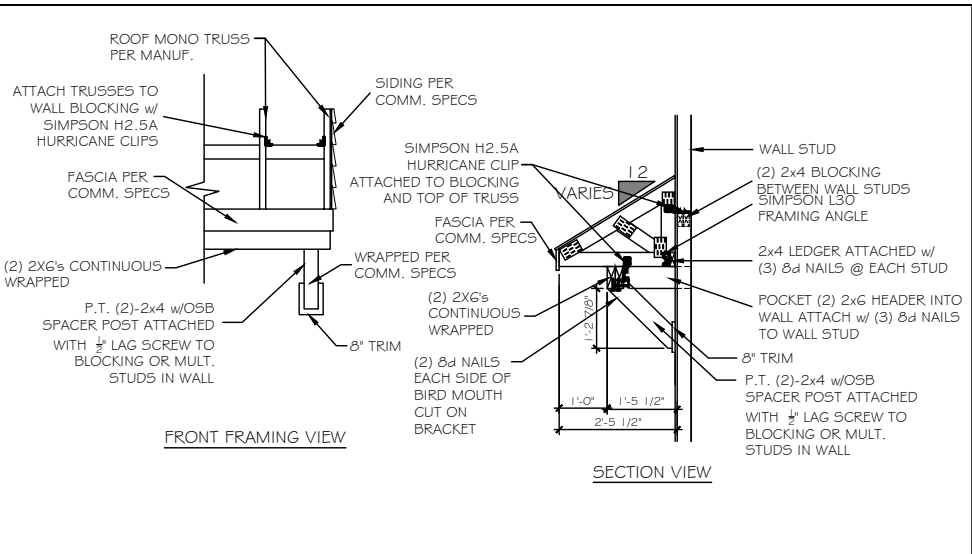
KIPLING
 2813
HARNETT

Copyright True Homes L.L.C. All rights reserved. The duplication, reproduction, copying, sale, rental, licensing, or any other distribution or use of these drawings, any portion thereof, or the plans depicted hereon is strictly prohibited.
 PREPARED BY:
SARAH
 DATE:
 12-17-2021
 SCALE:
 AS SHOWN
 REVIEWED BY:
NICK

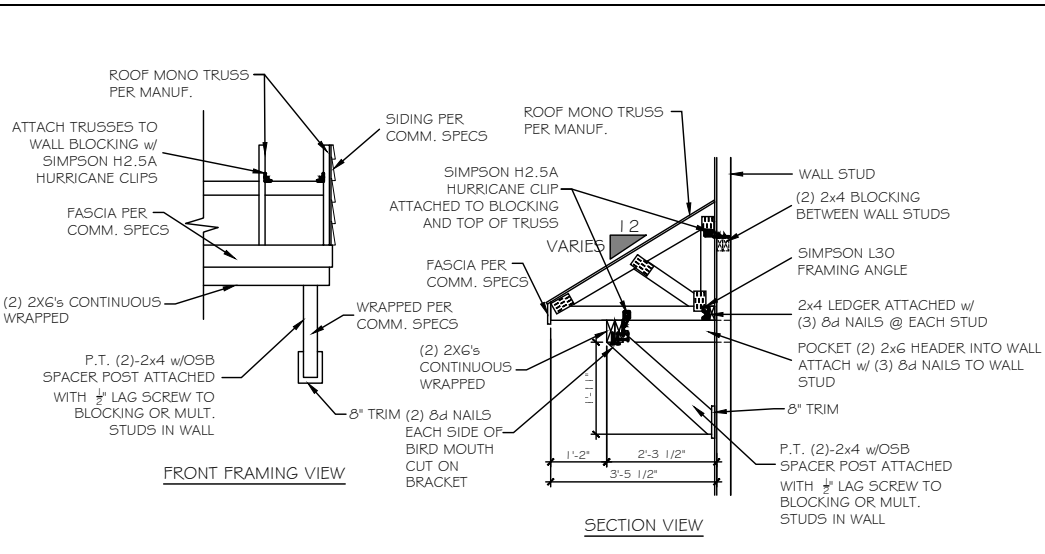
SHEET:
D10



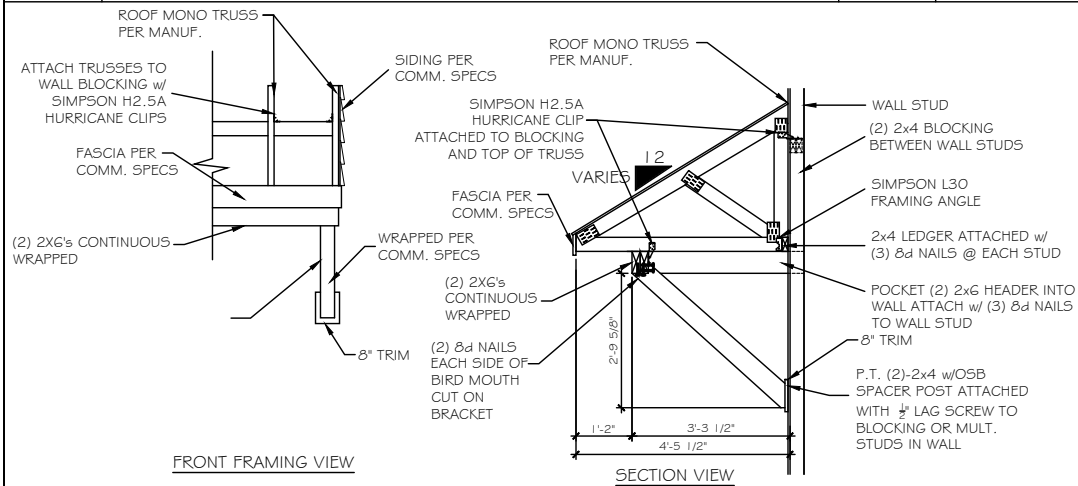
CP-1 2'-0" GARAGE CANOPY DETAIL 1/4" = 1'-0"



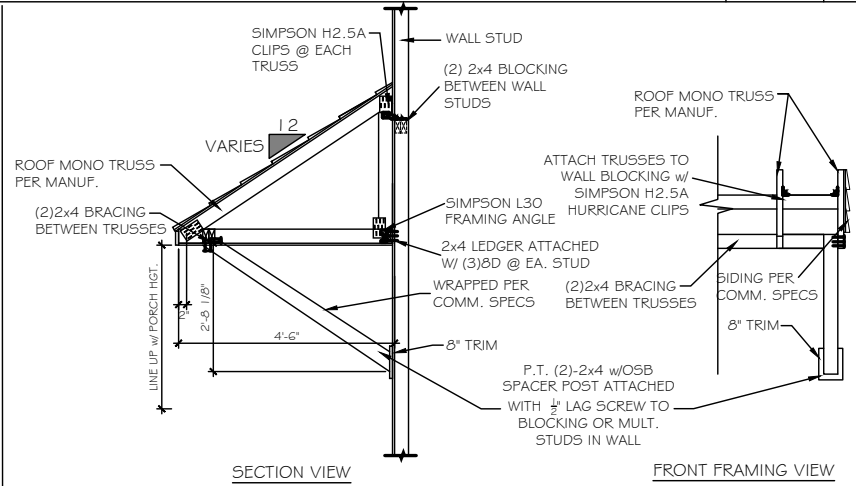
CP-2 2'-5" GARAGE CANOPY DETAIL- HUDSON ELEV. G#H 3/8" = 1'-0"



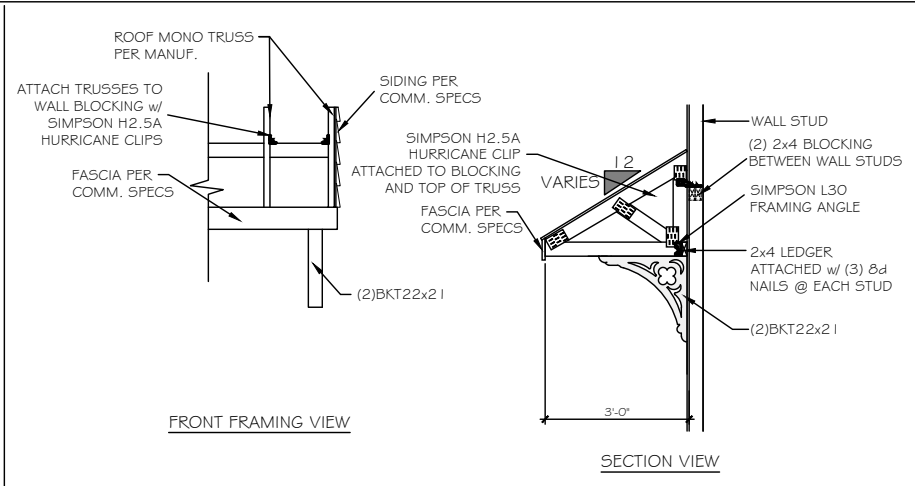
CP-3 3'-5" FRONT PORCH ATTACHMENT/ GARAGE CANOPY DETAIL 3/8" = 1'-0"



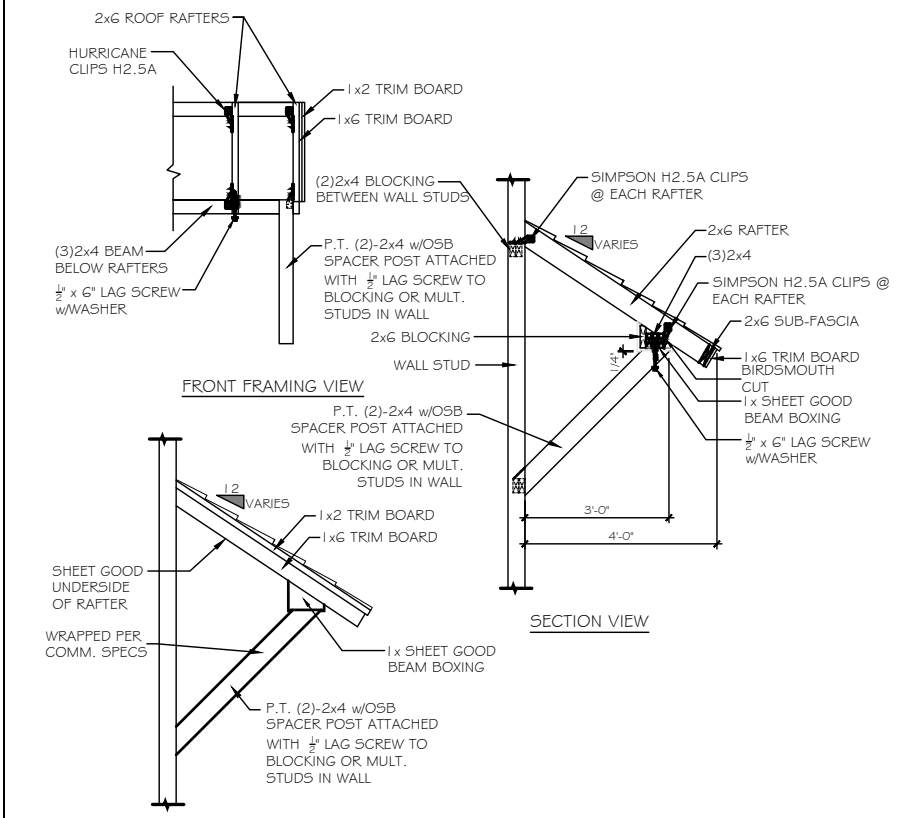
CP-4 4'-5" FRONT PORCH ATTACHMENT/ GARAGE CANOPY DETAIL 1/4" = 1'-0"



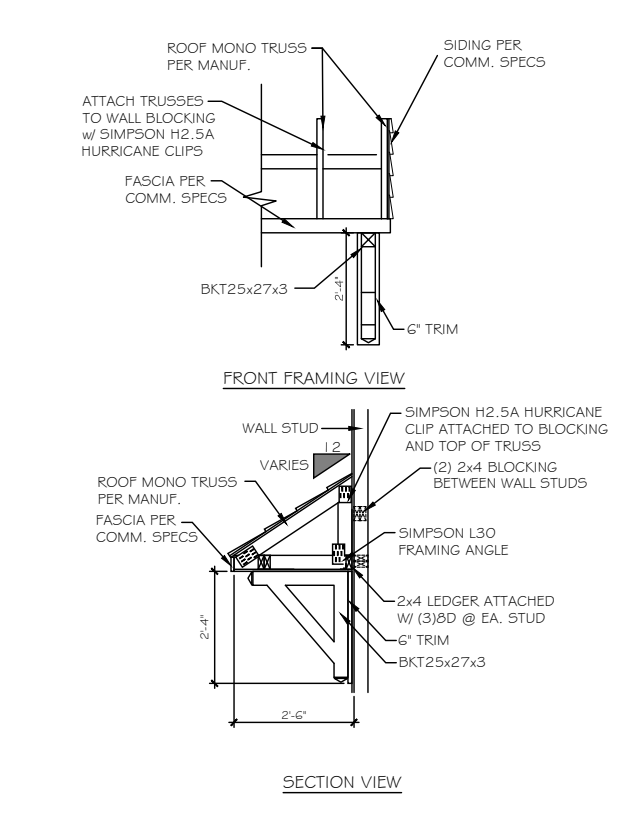
CP-5 4'-6" CANOPY DETAIL 1/4" = 1'-0"



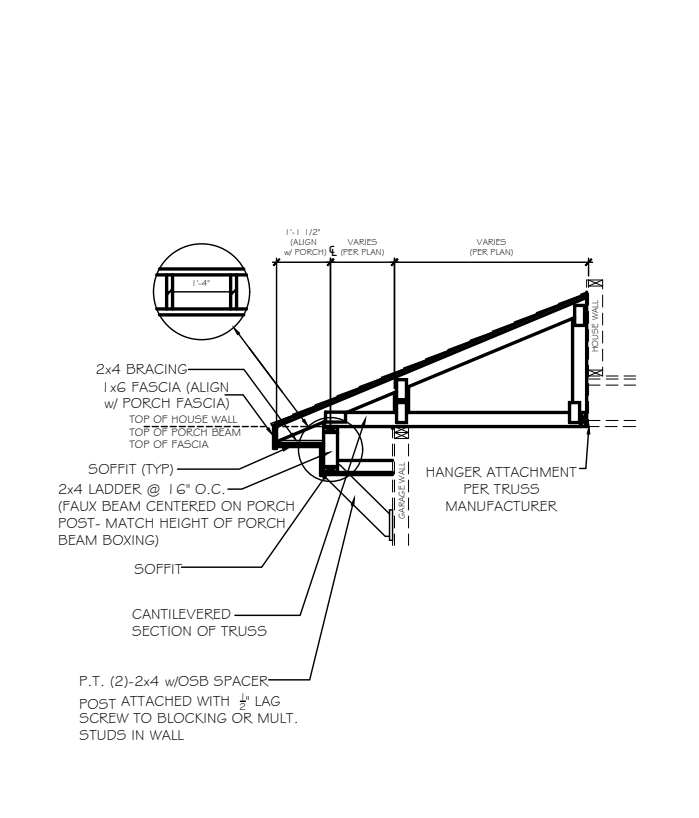
CP-6 3'-0" GARAGE CANOPY DETAIL- DREW 1/4" = 1'-0"



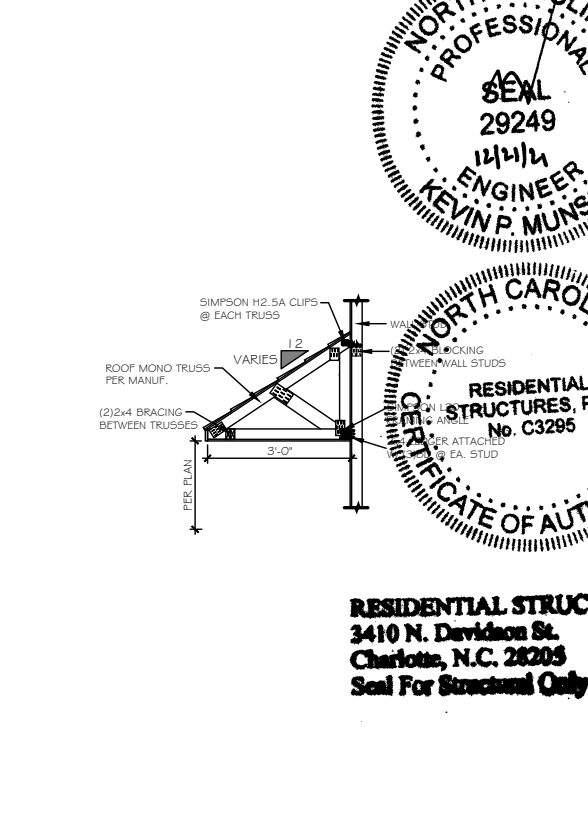
CP-7 4'-0" CANOPY DETAIL 1/4" = 1'-0"



CP-8 2'-6" WINDOW CANOPY DETAIL 1/4" = 1'-0"



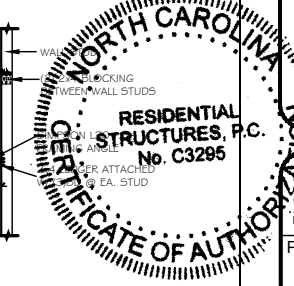
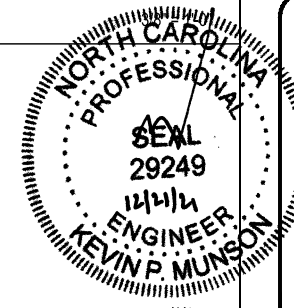
CP-9 GARAGE CANOPY DETAIL - KIPLING FULL PORCH 1/4" = 1'-0"



CP-10 3'-0" CANOPY DETAIL 1/4" = 1'-0"

TrueHomes
IT'S ALL ABOUT U
2649 Breckridge Centre Dr.
Suite 104
Monroe, N.C. 28110
704-271-1191

WALKER GROVE
LOT# 7

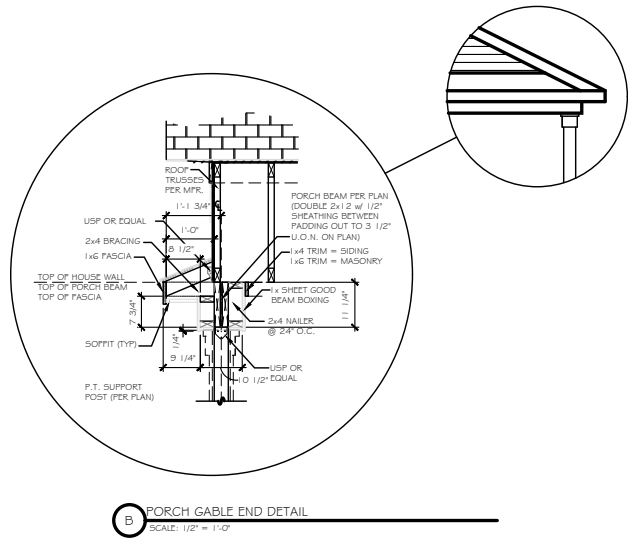
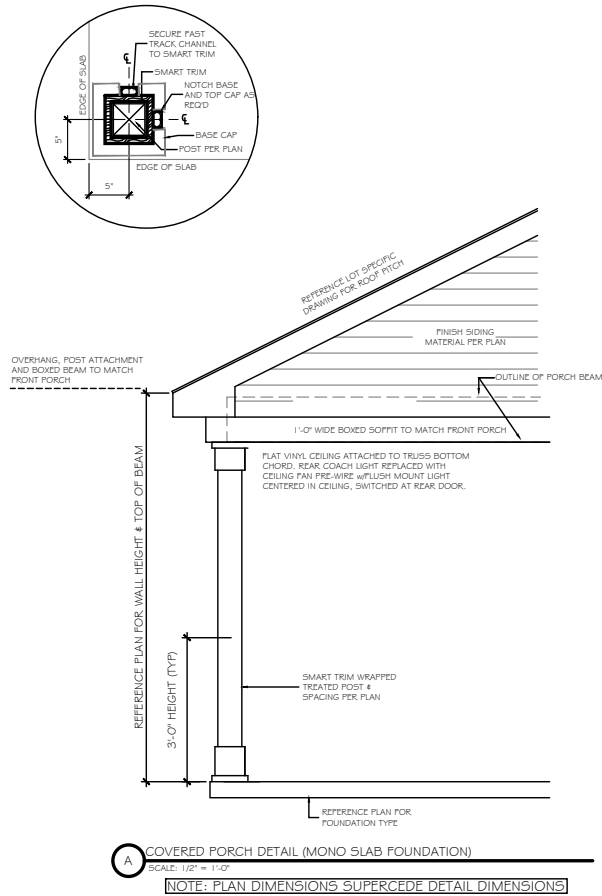


KIPLING
2813
HARNETT

RESIDENTIAL STRUCTURES, P.C.
3410 N. Davidson St.
Charlotte, N.C. 28205
Seal For Structural Only

Copyright True Homes L.L.C. All rights reserved. The duplication, reproduction, copying, sale, rental, licensing, or any other distribution or use of these drawings, any portion thereof, or the plans depicted herein is strictly prohibited.
PREPARED BY:
SARAH
DATE:
12-17-2021
SCALE:
AS SHOWN
REVIEWED BY:
NICK

SHEET:
D10.1



A COVERED PORCH DETAIL (MONO SLAB FOUNDATION)
SCALE: 1/2" = 1'-0"
NOTE: PLAN DIMENSIONS SUPERCEDE DETAIL DIMENSIONS

B PORCH GABLE END DETAIL
SCALE: 1/2" = 1'-0"

TrueHomes
IT'S ALL ABOUT U
2649 Brekonridge Centre Dr.
Suite 104
Monroe, N.C. 28110
704-271-1191

WALKER GROVE
LOT# 7

KIPLING
2813

HARNETT

Copyright True Homes L.L.C. All rights reserved. The duplication, reproduction, copying, sale, rental, licensing, or any other distribution or use of these drawings, any portion thereof, or the plans depicted hereon is strictly prohibited.
PREPARED BY:
SARAH
DATE:
12-17-2021
SCALE:
AS SHOWN
REVIEWED BY:
NICK

SHEET:
D11