

RE: J0122-0469
 LOT 4 N FARM

Trenco
 818 Soundside Rd
 Edenton, NC 27932

Site Information:

Customer: Project Name: J0122-0469
 Lot/Block: Model:
 Address: Subdivision:
 City: State:

General Truss Engineering Criteria & Design Loads (Individual Truss Design Drawings Show Special Loading Conditions):

Design Code: IRC2015/TPI2014 Design Program: MiTek 20/20 8.3
 Wind Code: ASCE 7-10 Wind Speed: 130 mph
 Roof Load: 40.0 psf Floor Load: N/A psf

This package includes 28 individual, dated Truss Design Drawings and 0 Additional Drawings.

No.	Seal#	Truss Name	Date	No.	Seal#	Truss Name	Date
1	I49926381	A1	1/27/2022	21	I49926401	P1	1/27/2022
2	I49926382	A1GE	1/27/2022	22	I49926402	P1GE	1/27/2022
3	I49926383	A2	1/27/2022	23	I49926403	VB1	1/27/2022
4	I49926384	A2GE	1/27/2022	24	I49926404	VB2	1/27/2022
5	I49926385	B1	1/27/2022	25	I49926405	VB3	1/27/2022
6	I49926386	B1GE	1/27/2022	26	I49926406	VB4	1/27/2022
7	I49926387	C1	1/27/2022	27	I49926407	VB5	1/27/2022
8	I49926388	C1GE	1/27/2022	28	I49926408	VB6	1/27/2022
9	I49926389	C2	1/27/2022				
10	I49926390	G1	1/27/2022				
11	I49926391	G1GE	1/27/2022				
12	I49926392	M1	1/27/2022				
13	I49926393	M1GE	1/27/2022				
14	I49926394	M2	1/27/2022				
15	I49926395	M3	1/27/2022				
16	I49926396	M3GE	1/27/2022				
17	I49926397	M4	1/27/2022				
18	I49926398	M5	1/27/2022				
19	I49926399	M6	1/27/2022				
20	I49926400	M7	1/27/2022				

The truss drawing(s) referenced above have been prepared by Truss Engineering Co. under my direct supervision based on the parameters provided by Comtech, Inc - Fayetteville.

Truss Design Engineer's Name: Gilbert, Eric

My license renewal date for the state of North Carolina is December 31, 2022.

North Carolina COA: C-0844

IMPORTANT NOTE: The seal on these truss component designs is a certification that the engineer named is licensed in the jurisdiction(s) identified and that the designs comply with ANSI/TPI 1. These designs are based upon parameters shown (e.g., loads, supports, dimensions, shapes and design codes), which were given to TRENCO. Any project specific information included is for TRENCO customers file reference purpose only, and was not taken into account in the preparation of these designs. TRENCO has not independently verified the applicability of the design parameters or the designs for any particular building. Before use, the building designer should verify applicability of design parameters and properly incorporate these designs into the overall building design per ANSI/TPI 1, Chapter 2.



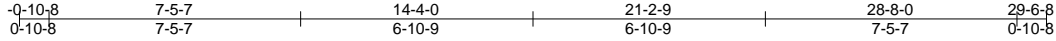
January 27, 2022

Job	Truss	Truss Type	Qty	Ply	LOT 4 N FARM	149926381
J0122-0469	A1	FINK	9	1		

Comtech, Inc, Fayetteville, NC - 28314,

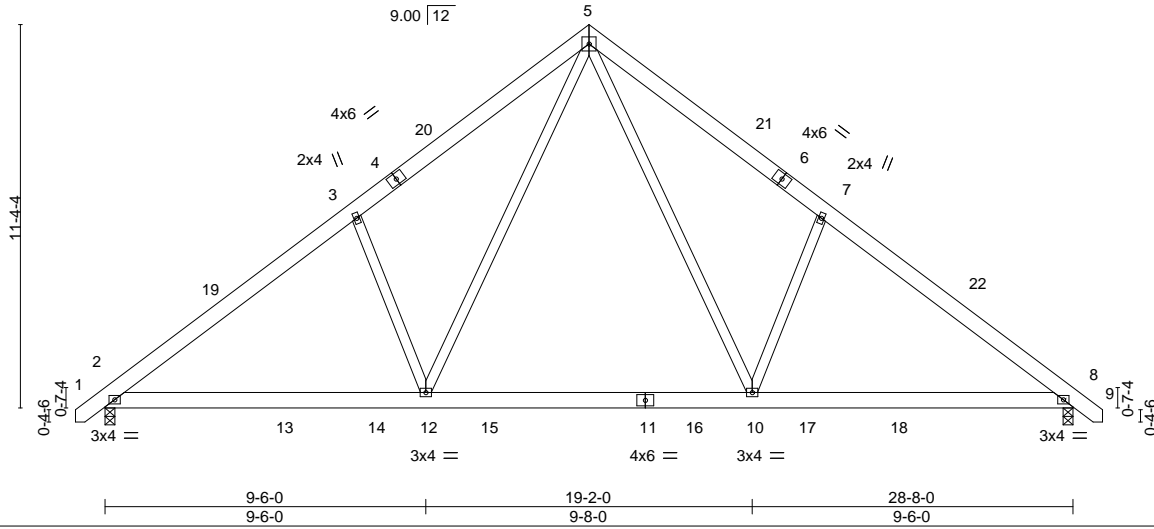
8.430 s Aug 16 2021 MiTek Industries, Inc. Thu Jan 27 09:28:39 2022 Page 1

ID:ayDjLV?s5JTJ6EXpVZkE3PydMqS-pT4QniglS6MwKkAuQA8qjc_TsZSjHzN9xv9VezrBxM



5x5 =

Scale = 1:68.2



LOADING (psf)	SPACING-	CSI.	DEFL.	in (loc)	l/defl	L/d	PLATES	GRIP
TCLL 20.0	2-0-0	TC 0.22	Vert(LL)	-0.13 10-12	>999	360	MT20	244/190
TCDL 10.0	Plate Grip DOL 1.15	BC 0.44	Vert(CT)	-0.17 10-12	>999	240		
BCLL 0.0 *	Lumber DOL 1.15	WB 0.47	Horz(CT)	0.03 8	n/a	n/a		
BCDL 10.0	Rep Stress Incr YES	Matrix-S	Wind(LL)	0.03 2-12	>999	240		
	Code IRC2015/TPI2014						Weight: 207 lb	FT = 20%

LUMBER-

TOP CHORD 2x6 SP No.1
 BOT CHORD 2x6 SP No.1
 WEBS 2x4 SP No.2

BRACING-

TOP CHORD Structural wood sheathing directly applied or 5-8-8 oc purlins.
 BOT CHORD Rigid ceiling directly applied or 10-0-0 oc bracing.

REACTIONS.

(size) 2=0-3-8, 8=0-3-8
 Max Horz 2=-271(LC 10)
 Max Uplift 2=-67(LC 12), 8=-67(LC 13)
 Max Grav 2=1356(LC 19), 8=1356(LC 20)

FORCES. (lb) - Max. Comp./Max. Ten. - All forces 250 (lb) or less except when shown.

TOP CHORD 2-3=-1764/327, 3-5=-1686/463, 5-7=-1686/463, 7-8=-1764/327
 BOT CHORD 2-12=-108/1512, 10-12=0/977, 8-10=-116/1355
 WEBS 3-12=-502/313, 5-12=-195/940, 5-10=-195/940, 7-10=-502/313

NOTES-

- Unbalanced roof live loads have been considered for this design.
- Wind: ASCE 7-10; Vult=130mph Vasd=103mph; TCDL=6.0psf; BCDL=6.0psf; h=15ft; Cat. II; Exp C; Enclosed; MWFRS (envelope) and C-C Exterior(2) -0-8-13 to 3-7-15, Interior(1) 3-7-15 to 14-4-0, Exterior(2) 14-4-0 to 18-8-13, Interior(1) 18-8-13 to 29-4-13 zone; C-C for members and forces & MWFRS for reactions shown; Lumber DOL=1.60 plate grip DOL=1.60
- This truss has been designed for a 10.0 psf bottom chord live load nonconcurrent with any other live loads.
- * This truss has been designed for a live load of 30.0psf on the bottom chord in all areas where a rectangle 3-6-0 tall by 2-0-0 wide will fit between the bottom chord and any other members, with BCDL = 10.0psf.
- Provide mechanical connection (by others) of truss to bearing plate capable of withstanding 67 lb uplift at joint 2 and 67 lb uplift at joint 8.



January 27, 2022

WARNING - Verify design parameters and READ NOTES ON THIS AND INCLUDED MITEK REFERENCE PAGE MII-7473 rev. 5/19/2020 BEFORE USE.

Design valid for use only with MiTek® connectors. This design is based only upon parameters shown, and is for an individual building component, not a truss system. Before use, the building designer must verify the applicability of design parameters and properly incorporate this design into the overall building design. Bracing indicated is to prevent buckling of individual truss web and/or chord members only. Additional temporary and permanent bracing is always required for stability and to prevent collapse with possible personal injury and property damage. For general guidance regarding the fabrication, storage, delivery, erection and bracing of trusses and truss systems, see

ANSI/TPI1 Quality Criteria, DSB-89 and BCSI Building Component

Safety Information available from Truss Plate Institute, 2670 Crain Highway, Suite 203 Waldorf, MD 20601



818 Soundside Road
 Edenton, NC 27932

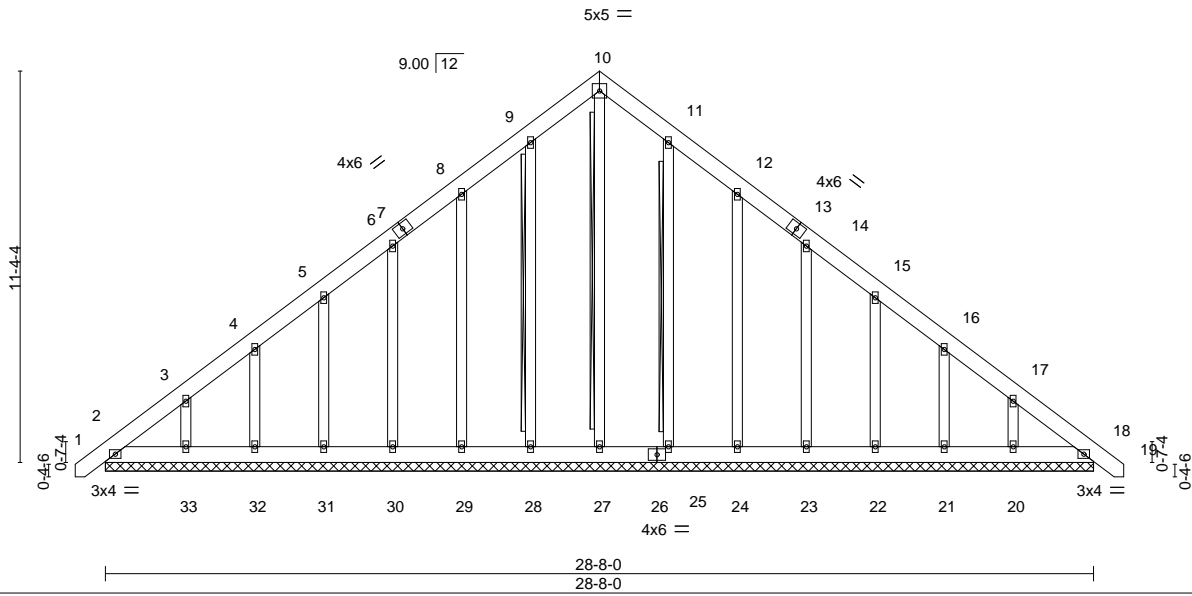
Job	Truss	Truss Type	Qty	Ply	LOT 4 N FARM	149926382
J0122-0469	A1GE	GABLE	1	1	Job Reference (optional)	

Comtech, Inc, Fayetteville, NC - 28314,

8.430 s Aug 16 2021 MiTek Industries, Inc. Thu Jan 27 09:28:42 2022 Page 1
 ID:ayDjLV?s5JTJ6EXpVZkE3PydMqS-E2IYQkKZeNUxnoSlZykrSLEYR3hYwiQqr7p6yZrBxJ

-0-10-8 14-4-0 28-8-0 29-6-8
 0-10-8 14-4-0 14-4-0 0-10-8

Scale = 1:66.8



LOADING (psf)	SPACING-	2-0-0	CSI.	DEFL.	in	(loc)	l/defl	L/d	PLATES	GRIP
TCLL 20.0	Plate Grip DOL	1.15	TC 0.05	Vert(LL)	0.00	18	n/r	120	MT20	244/190
TCDL 10.0	Lumber DOL	1.15	BC 0.03	Vert(CT)	0.00	18	n/r	120		
BCLL 0.0 *	Rep Stress Incr	YES	WB 0.17	Horz(CT)	0.01	18	n/a	n/a		
BCDL 10.0	Code IRC2015/TPI2014		Matrix-S						Weight: 265 lb	FT = 20%

LUMBER-

TOP CHORD 2x6 SP No.1
 BOT CHORD 2x6 SP No.1
 OTHERS 2x4 SP No.2

BRACING-

TOP CHORD Structural wood sheathing directly applied or 6-0-0 oc purlins.
 BOT CHORD Rigid ceiling directly applied or 10-0-0 oc bracing.
 WEBS T-Brace: 2x4 SPF No.2 - 10-27, 9-28, 11-25
 Fasten (2X) T and I braces to narrow edge of web with 10d (0.131"x3") nails, 6in o.c., with 3in minimum end distance.
 Brace must cover 90% of web length.

REACTIONS.

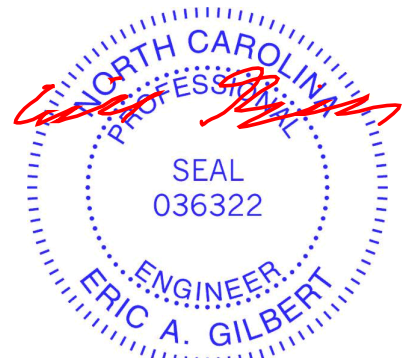
All bearings 28-8-0.
 (lb) - Max Horz 2=-339(LC 10)
 Max Uplift All uplift 100 lb or less at joint(s) 2, 18, 28, 30, 31, 32, 25, 23, 22, 21 except 29=-111(LC 12),
 33=-127(LC 12), 24=-115(LC 13), 20=-125(LC 13)
 Max Grav All reactions 250 lb or less at joint(s) 2, 18, 27, 28, 29, 30, 31, 32, 33, 25, 24, 23, 22, 21, 20

FORCES.

(lb) - Max. Comp./Max. Ten. - All forces 250 (lb) or less except when shown.
 TOP CHORD 2-3=-364/255, 3-4=-257/211, 9-10=-243/271, 10-11=-243/271, 17-18=-295/204
 BOT CHORD 2-33=-185/287, 32-33=-185/287, 31-32=-185/287, 30-31=-185/287, 29-30=-185/287,
 28-29=-185/287, 27-28=-185/287, 25-27=-185/287, 24-25=-185/287, 23-24=-185/287,
 22-23=-185/287, 21-22=-185/287, 20-21=-185/287, 18-20=-185/287

NOTES-

- Unbalanced roof live loads have been considered for this design.
- Wind: ASCE 7-10; Vult=130mph Vasd=103mph; TCDL=6.0psf; BC DL=6.0psf; h=15ft; Cat. II; Exp C; Enclosed; MWFRS (envelope) gable end zone and C-C Corner(3) 0-8-13 to 3-7-15, Exterior(2) 3-7-15 to 14-4-0, Corner(3) 14-4-0 to 18-8-13, Exterior(2) 18-8-13 to 29-4-13 zone; C-C for members and forces & MWFRS for reactions shown; Lumber DOL=1.60 plate grip DOL=1.60
- Truss designed for wind loads in the plane of the truss only. For studs exposed to wind (normal to the face), see Standard Industry Gable End Details as applicable, or consult qualified building designer as per ANSI/TPI 1.
- All plates are 2x4 MT20 unless otherwise indicated.
- Gable requires continuous bottom chord bearing.
- Gable studs spaced at 2-0-0 oc.
- This truss has been designed for a 10.0 psf bottom chord live load nonconcurrent with any other live loads.
- * This truss has been designed for a live load of 30.0psf on the bottom chord in all areas where a rectangle 3-6-0 tall by 2-0-0 wide will fit between the bottom chord and any other members.
- Provide mechanical connection (by others) of truss to bearing plate capable of withstanding 100 lb uplift at joint(s) 2, 18, 28, 30, 31, 32, 25, 23, 22, 21 except (jt=lb) 29=111, 33=127, 24=115, 20=125.
- Warning: Additional permanent and stability bracing for truss system (not part of this component design) is always required.



January 27, 2022

WARNING - Verify design parameters and READ NOTES ON THIS AND INCLUDED MITEK REFERENCE PAGE MII-7473 rev. 5/19/2020 BEFORE USE.

Design valid for use only with MiTek® connectors. This design is based only upon parameters shown, and is for an individual building component, not a truss system. Before use, the building designer must verify the applicability of design parameters and properly incorporate this design into the overall building design. Bracing indicated is to prevent buckling of individual truss web and/or chord members only. Additional temporary and permanent bracing is always required for stability and to prevent collapse with possible personal injury and property damage. For general guidance regarding the fabrication, storage, delivery, erection and bracing of trusses and truss systems, see ANSITPI1 Quality Criteria, DSB-89 and BCSI Building Component Safety Information available from Truss Plate Institute, 2670 Crain Highway, Suite 203 Waldorf, MD 20601

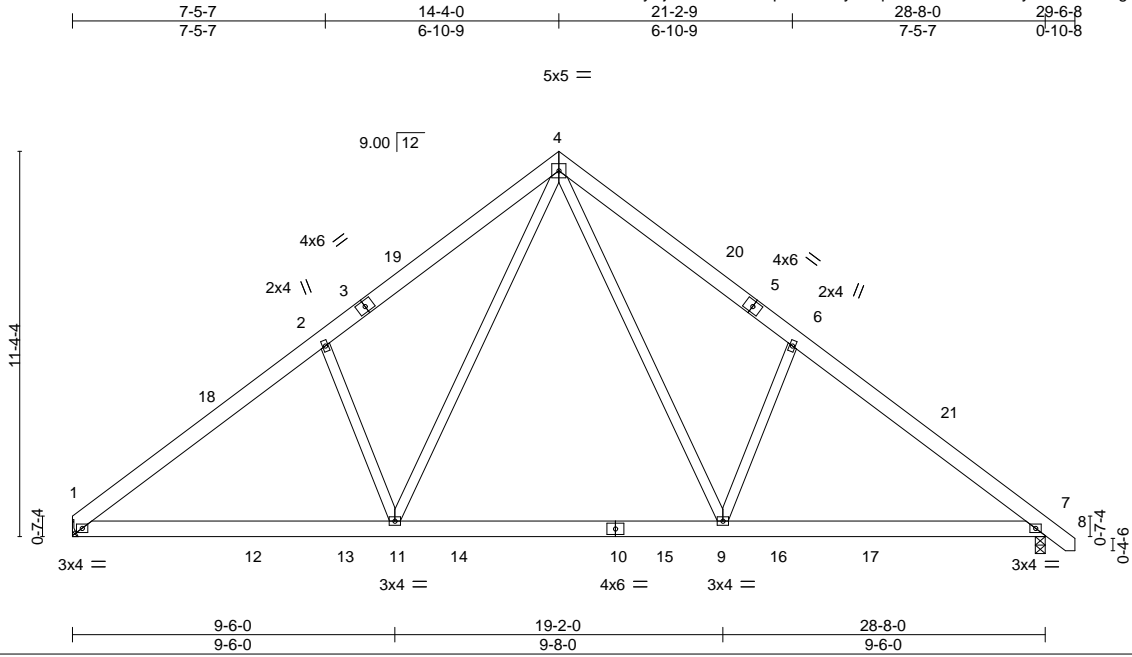


818 Soundside Road
 Edenton, NC 27932

Job	Truss	Truss Type	Qty	Ply	LOT 4 N FARM	149926383
J0122-0469	A2	FINK	11	1		

Comtech, Inc, Fayetteville, NC - 28314,

8.430 s Aug 16 2021 MiTek Industries, Inc. Thu Jan 27 09:28:43 2022 Page 1
 ID:ayDjLV?s5JTJ6EXpVZkE3PydMqS-iEJxd4LBPhcoPy1x7GF4?ZngITxJf4oz4ZtNePzrBxl



LOADING (psf)	SPACING-	CSI.	DEFL.	in (loc)	l/defl	L/d	PLATES	GRIP
TCLL 20.0	2-0-0	TC 0.23	Vert(LL)	-0.13 9-11	>999	360	MT20	244/190
TCDL 10.0	Plate Grip DOL 1.15	BC 0.44	Vert(CT)	-0.17 9-11	>999	240		
BCLL 0.0 *	Lumber DOL 1.15	WB 0.48	Horz(CT)	0.03 7	n/a	n/a		
BCDL 10.0	Rep Stress Incr YES	Matrix-S	Wind(LL)	0.03 7-9	>999	240		
	Code IRC2015/TPI2014						Weight: 205 lb	FT = 20%

LUMBER-	BRACING-
TOP CHORD 2x6 SP No.1	TOP CHORD Structural wood sheathing directly applied or 5-7-13 oc purlins.
BOT CHORD 2x6 SP No.1	BOT CHORD Rigid ceiling directly applied or 10-0-0 oc bracing.
WEBS 2x4 SP No.2	

REACTIONS. (size) 1=Mechanical, 7=0-3-8
 Max Horz 1=-267(LC 8)
 Max Uplift 1=-55(LC 12), 7=-67(LC 13)
 Max Grav 1=1308(LC 19), 7=1359(LC 20)

FORCES. (lb) - Max. Comp./Max. Ten. - All forces 250 (lb) or less except when shown.
 TOP CHORD 1-2=-1776/336, 2-4=-1700/476, 4-6=-1691/464, 6-7=-1769/328
 BOT CHORD 1-11=-122/1527, 9-11=0/982, 7-9=-120/1360
 WEBS 2-11=-512/320, 4-11=-198/954, 4-9=-196/939, 6-9=-502/313

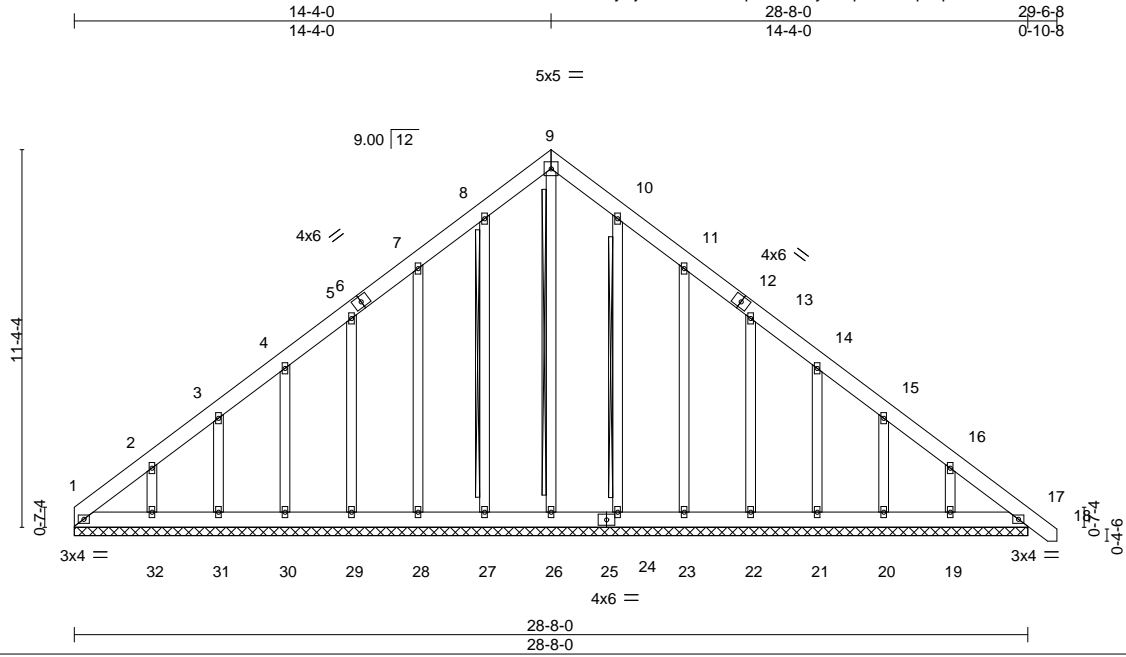
- NOTES-**
- Unbalanced roof live loads have been considered for this design.
 - Wind: ASCE 7-10; Vult=130mph Vasd=103mph; TCDL=6.0psf; BCDL=6.0psf; h=15ft; Cat. II; Exp C; Enclosed; MWFRS (envelope) and C-C Exterior(2) 0-1-0 to 4-5-13, Interior(1) 4-5-13 to 14-4-0, Exterior(2) 14-4-0 to 18-8-13, Interior(1) 18-8-13 to 29-4-13 zone;C-C for members and forces & MWFRS for reactions shown; Lumber DOL=1.60 plate grip DOL=1.60
 - This truss has been designed for a 10.0 psf bottom chord live load nonconcurrent with any other live loads.
 - * This truss has been designed for a live load of 30.0psf on the bottom chord in all areas where a rectangle 3-6-0 tall by 2-0-0 wide will fit between the bottom chord and any other members, with BCDL = 10.0psf.
 - Refer to girder(s) for truss to truss connections.
 - Provide mechanical connection (by others) of truss to bearing plate capable of withstanding 100 lb uplift at joint(s) 1, 7.



Job	Truss	Truss Type	Qty	Ply	LOT 4 N FARM	149926384
J0122-0469	A2GE	GABLE	1	1	Job Reference (optional)	

Comtech, Inc, Fayetteville, NC - 28314,

8.430 s Aug 16 2021 MiTek Industries, Inc. Thu Jan 27 09:28:44 2022 Page 1
 ID:ayDjLV?s5JTJ6EXpVZkE3PydMqS-AQtJqQLpA?kf16c7hzmJXmJuxtM?Ocw7lCcwArzrBxH



Scale = 1:69.3

LOADING (psf)	SPACING-	CSI.	DEFL.	PLATES	GRIP
TCLL 20.0	2-0-0	TC 0.05	in (loc) l/defl L/d	MT20	244/190
TCDL 10.0	Plate Grip DOL 1.15	BC 0.03	Vert(LL) 0.00 17 n/r 120		
BCLL 0.0 *	Lumber DOL 1.15	WB 0.17	Vert(CT) 0.00 17 n/r 120		
BCDL 10.0	Rep Stress Incr YES	Matrix-S	Horz(CT) 0.01 17 n/a n/a		
	Code IRC2015/TPI2014			Weight: 262 lb	FT = 20%

LUMBER-

TOP CHORD 2x6 SP No.1
 BOT CHORD 2x6 SP No.1
 OTHERS 2x4 SP No.2

BRACING-

TOP CHORD Structural wood sheathing directly applied or 6-0-0 oc purlins.
 BOT CHORD Rigid ceiling directly applied or 10-0-0 oc bracing.
 WEBS T-Brace: 2x4 SPF No.2 - 9-26, 8-27, 10-24
 Fasten (2X) T and I braces to narrow edge of web with 10d (0.131"x3") nails, 6in o.c., with 3in minimum end distance.
 Brace must cover 90% of web length.

REACTIONS.

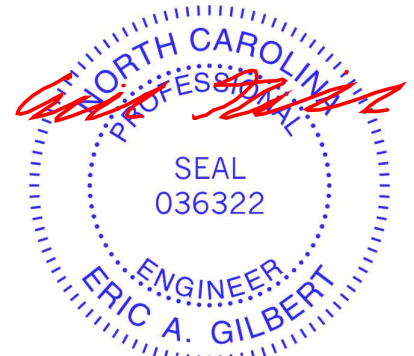
All bearings 28-8-0.
 (lb) - Max Horz 1=-334(LC 8)
 Max Uplift All uplift 100 lb or less at joint(s) 1, 17, 27, 29, 30, 31, 24, 22, 21, 20 except 28=-111(LC 12),
 32=-135(LC 12), 23=-115(LC 13), 19=-125(LC 13)
 Max Grav All reactions 250 lb or less at joint(s) 1, 17, 26, 27, 28, 29, 30, 31, 32, 24, 23, 22, 21, 20, 19

FORCES. (lb) - Max. Comp./Max. Ten. - All forces 250 (lb) or less except when shown.

TOP CHORD 1-2=-368/258, 2-3=-256/210, 8-9=-243/271, 9-10=-243/271, 16-17=-295/204
 BOT CHORD 1-32=-185/287, 31-32=-185/287, 30-31=-185/287, 29-30=-185/287, 28-29=-185/287,
 27-28=-185/287, 26-27=-185/287, 24-26=-185/287, 23-24=-185/287, 22-23=-185/287,
 21-22=-185/287, 20-21=-185/287, 19-20=-185/287, 17-19=-185/287

NOTES-

- Unbalanced roof live loads have been considered for this design.
- Wind: ASCE 7-10; Vult=130mph Vasd=103mph; TCDL=6.0psf; BCDL=6.0psf; h=15ft; Cat. II; Exp C; Enclosed; MWFRS (envelope) gable end zone and C-C Corner(3) 0-0-0 to 4-4-0, Exterior(2) 4-4-0 to 14-4-0, Corner(3) 14-4-0 to 18-8-13, Exterior(2) 18-8-13 to 29-4-13 zone; C-C for members and forces & MWFRS for reactions shown; Lumber DOL=1.60 plate grip DOL=1.60
- Truss designed for wind loads in the plane of the truss only. For studs exposed to wind (normal to the face), see Standard Industry Gable End Details as applicable, or consult qualified building designer as per ANSI/TPI 1.
- All plates are 2x4 MT20 unless otherwise indicated.
- Gable requires continuous bottom chord bearing.
- Gable studs spaced at 2-0-0 oc.
- This truss has been designed for a 10.0 psf bottom chord live load nonconcurrent with any other live loads.
- * This truss has been designed for a live load of 30.0psf on the bottom chord in all areas where a rectangle 3-6-0 tall by 2-0-0 wide will fit between the bottom chord and any other members.
- Provide mechanical connection (by others) of truss to bearing plate capable of withstanding 100 lb uplift at joint(s) 1, 17, 27, 29, 30, 31, 24, 22, 21, 20 except (jt=lb) 28=111, 32=135, 23=115, 19=125.
- Warning: Additional permanent and stability bracing for truss system (not part of this component design) is always required.



January 27, 2022

WARNING - Verify design parameters and READ NOTES ON THIS AND INCLUDED MITEK REFERENCE PAGE MII-7473 rev. 5/19/2020 BEFORE USE.

Design valid for use only with MiTek® connectors. This design is based only upon parameters shown, and is for an individual building component, not a truss system. Before use, the building designer must verify the applicability of design parameters and properly incorporate this design into the overall building design. Bracing indicated is to prevent buckling of individual truss web and/or chord members only. Additional temporary and permanent bracing is always required for stability and to prevent collapse with possible personal injury and property damage. For general guidance regarding the fabrication, storage, delivery, erection and bracing of trusses and truss systems, see **ANSI/TPI1 Quality Criteria, DSB-89 and BCSI Building Component Safety Information** available from Truss Plate Institute, 2670 Crain Highway, Suite 203 Waldorf, MD 20601



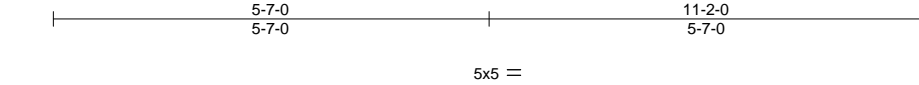
818 Soundside Road
 Edenton, NC 27932

Job	Truss	Truss Type	Qty	Ply	LOT 4 N FARM	149926385
J0122-0469	B1	COMMON GIRDER	1	2	Job Reference (optional)	

Comtech, Inc., Fayetteville, NC - 28314,

8.430 s Aug 16 2021 MiTek Industries, Inc. Thu Jan 27 09:28:46 2022 Page 1

ID:ayDjLV?s5JTJ6EXpVZkE3PydMqS-6p?3F6N3hc_NGPmWoOocBPBtgw6sRBPmW51FkzrBxF



Scale = 1:29.5

LOADING (psf)	SPACING-	CSI.	DEFL.	in	(loc)	l/defl	L/d	PLATES	GRIP
TCLL 20.0	Plate Grip DOL 1.15	TC 0.15	Vert(LL) -0.03	3-4	>999	360		MT20	244/190
TCDL 10.0	Lumber DOL 1.15	BC 0.56	Vert(CT) -0.06	3-4	>999	240			
BCLL 0.0 *	Rep Stress Incr NO	WB 0.51	Horz(CT) 0.01	3	n/a	n/a			
BCDL 10.0	Code IRC2015/TPI2014	Matrix-S	Wind(LL) 0.02	3-4	>999	240			
								Weight: 148 lb	FT = 20%

LUMBER-

TOP CHORD 2x6 SP No.1
 BOT CHORD 2x8 SP No.1
 WEBS 2x4 SP No.2

BRACING-

TOP CHORD Structural wood sheathing directly applied or 6-0-0 oc purlins.
 BOT CHORD Rigid ceiling directly applied or 10-0-0 oc bracing.

REACTIONS.

(size) 1=0-3-8, 3=0-3-8
 Max Horz 1=-101(LC 23)
 Max Uplift 1=-192(LC 8), 3=-184(LC 9)
 Max Grav 1=3529(LC 2), 3=3396(LC 2)

FORCES. (lb) - Max. Comp./Max. Ten. - All forces 250 (lb) or less except when shown.

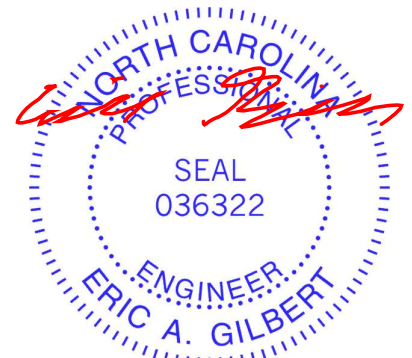
TOP CHORD 1-2=-3712/232, 2-3=-3712/232
 BOT CHORD 1-4=-128/2912, 3-4=-128/2912
 WEBS 2-4=-157/4117

NOTES-

- 2-ply truss to be connected together with 10d (0.131"x3") nails as follows:
 Top chords connected as follows: 2x6 - 2 rows staggered at 0-9-0 oc.
 Bottom chords connected as follows: 2x8 - 2 rows staggered at 0-6-0 oc.
 Webs connected as follows: 2x4 - 1 row at 0-9-0 oc.
- All loads are considered equally applied to all plies, except if noted as front (F) or back (B) face in the LOAD CASE(S) section. Ply to ply connections have been provided to distribute only loads noted as (F) or (B), unless otherwise indicated.
- Unbalanced roof live loads have been considered for this design.
- Wind: ASCE 7-10; Vult=130mph Vasd=103mph; TCDL=6.0psf; BCDL=6.0psf; h=15ft; Cat. II; Exp C; Enclosed; MWFRS (envelope); Lumber DOL=1.60 plate grip DOL=1.60
- This truss has been designed for a 10.0 psf bottom chord live load nonconcurrent with any other live loads.
- * This truss has been designed for a live load of 30.0psf on the bottom chord in all areas where a rectangle 3-6-0 tall by 2-0-0 wide will fit between the bottom chord and any other members.
- Provide mechanical connection (by others) of truss to bearing plate capable of withstanding 100 lb uplift at joint(s) except (jt=lb) 1=192, 3=184.
- Hanger(s) or other connection device(s) shall be provided sufficient to support concentrated load(s) 1233 lb down and 75 lb up at 1-5-4, 1233 lb down and 75 lb up at 3-5-4, 1233 lb down and 75 lb up at 5-5-4, and 1233 lb down and 75 lb up at 7-5-4, and 1233 lb down and 75 lb up at 9-5-4 on bottom chord. The design/selection of such connection device(s) is the responsibility of others.

LOAD CASE(S) Standard

- Dead + Roof Live (balanced): Lumber Increase=1.15, Plate Increase=1.15
 Uniform Loads (plf)
 Vert: 1-2=-60, 2-3=-60, 1-3=-20
 Concentrated Loads (lb)
 Vert: 4=-1117(B) 5=-1117(B) 6=-1117(B) 7=-1117(B) 8=-1117(B)



January 27, 2022

WARNING - Verify design parameters and READ NOTES ON THIS AND INCLUDED MITEK REFERENCE PAGE MII-7473 rev. 5/19/2020 BEFORE USE.

Design valid for use only with MiTek® connectors. This design is based only upon parameters shown, and is for an individual building component, not a truss system. Before use, the building designer must verify the applicability of design parameters and properly incorporate this design into the overall building design. Bracing indicated is to prevent buckling of individual truss web and/or chord members only. Additional temporary and permanent bracing is always required for stability and to prevent collapse with possible personal injury and property damage. For general guidance regarding the fabrication, storage, delivery, erection and bracing of trusses and truss systems, see

ANSI/TPI1 Quality Criteria, DSB-89 and BCSI Building Component

Safety Information available from Truss Plate Institute, 2670 Crain Highway, Suite 203 Waldorf, MD 20601



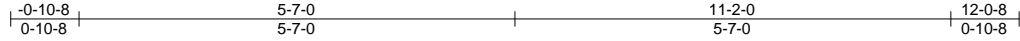
818 Soundside Road
 Edenton, NC 27932

Job	Truss	Truss Type	Qty	Ply	LOT 4 N FARM	149926386
J0122-0469	B1GE	COMMON SUPPORTED GAB	1	1		

Comtech, Inc, Fayetteville, NC - 28314,

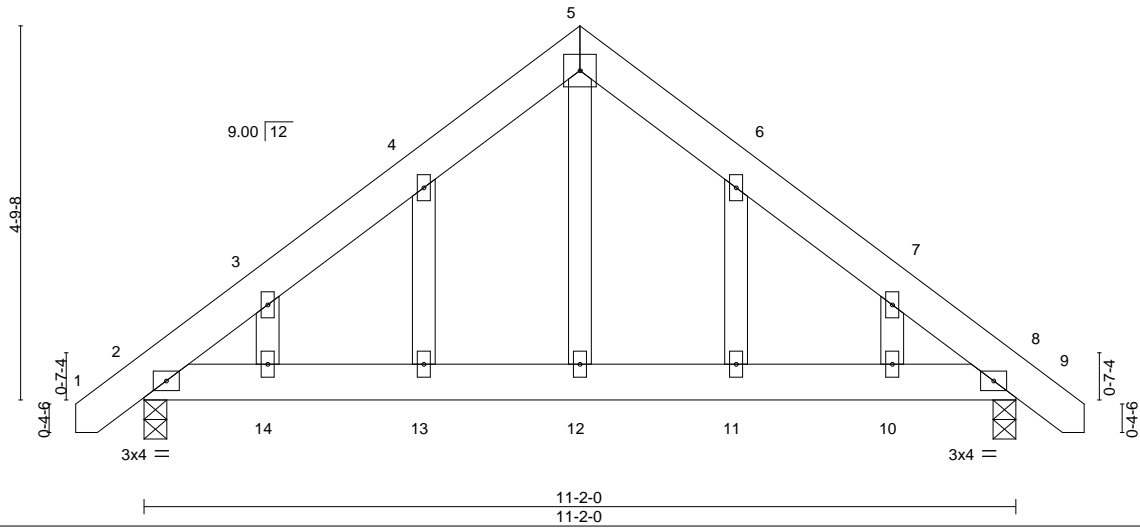
8.430 s Aug 16 2021 MiTek Industries, Inc. Thu Jan 27 09:28:47 2022 Page 1

ID:ayDjLV?s5JTJ6EXpVZkE3PydMqS-a?ZRTR0hSw6EuZLiM5J19PxNu4Nab?RZ_AranAzrBxE



5x5 =

Scale = 1:29.5



LOADING (psf)	SPACING-	CSI.	DEFL.	PLATES	GRIP
TCLL 20.0	2-0-0	TC 0.07	in (loc) l/defl L/d	MT20	244/190
TCDL 10.0	Plate Grip DOL 1.15	BC 0.13	Vert(LL) -0.01 11 >999 360		
BCLL 0.0 *	Lumber DOL 1.15	WB 0.06	Vert(CT) -0.02 10-11 >999 240		
BCDL 10.0	Rep Stress Incr YES	Matrix-S	Horz(CT) -0.00 2 n/a n/a		
	Code IRC2015/TPI2014		Wind(LL) 0.01 10-11 >999 240	Weight: 80 lb	FT = 20%

LUMBER-

TOP CHORD 2x6 SP No.1
 BOT CHORD 2x6 SP No.1
 OTHERS 2x4 SP No.2

BRACING-

TOP CHORD Structural wood sheathing directly applied or 6-0-0 oc purlins.
 BOT CHORD Rigid ceiling directly applied or 10-0-0 oc bracing.

REACTIONS.

(size) 2=0-3-8, 8=0-3-8
 Max Horz 8=142(LC 10)
 Max Uplift 2=105(LC 12), 8=105(LC 13)
 Max Grav 2=488(LC 1), 8=488(LC 1)

FORCES.

(lb) - Max. Comp./Max. Ten. - All forces 250 (lb) or less except when shown.
 TOP CHORD 2-3=-481/79, 3-4=-431/134, 4-5=-451/203, 5-6=-450/203, 6-7=-431/134, 7-8=-481/79
 BOT CHORD 2-14=-22/340, 13-14=-22/340, 12-13=-22/340, 11-12=-22/340, 10-11=-22/340,
 8-10=-22/340
 WEBS 5-12=-113/303

NOTES-

- Unbalanced roof live loads have been considered for this design.
- Wind: ASCE 7-10; Vult=130mph Vasd=103mph; TCDL=6.0psf; BCDL=6.0psf; h=15ft; Cat. II; Exp C; Enclosed; MWFRS (envelope) gable end zone and C-C Corner(3) 0-8-13 to 3-7-0, Exterior(2) 3-7-0 to 5-7-0, Corner(3) 5-7-0 to 9-11-13, Exterior(2) 9-11-13 to 11-10-13 zone; C-C for members and forces & MWFRS for reactions shown; Lumber DOL=1.60 plate grip DOL=1.60
- Truss designed for wind loads in the plane of the truss only. For studs exposed to wind (normal to the face), see Standard Industry Gable End Details as applicable, or consult qualified building designer as per ANSI/TPI 1.
- All plates are 2x4 MT20 unless otherwise indicated.
- Gable studs spaced at 2-0-0 oc.
- This truss has been designed for a 10.0 psf bottom chord live load nonconcurrent with any other live loads.
- * This truss has been designed for a live load of 30.0psf on the bottom chord in all areas where a rectangle 3-6-0 tall by 2-0-0 wide will fit between the bottom chord and any other members.
- Provide mechanical connection (by others) of truss to bearing plate capable of withstanding 100 lb uplift at joint(s) except (jt=lb) 2=105, 8=105.



January 27, 2022

WARNING - Verify design parameters and READ NOTES ON THIS AND INCLUDED MITEK REFERENCE PAGE MII-7473 rev. 5/19/2020 BEFORE USE.

Design valid for use only with MiTek® connectors. This design is based only upon parameters shown, and is for an individual building component, not a truss system. Before use, the building designer must verify the applicability of design parameters and properly incorporate this design into the overall building design. Bracing indicated is to prevent buckling of individual truss web and/or chord members only. Additional temporary and permanent bracing is always required for stability and to prevent collapse with possible personal injury and property damage. For general guidance regarding the fabrication, storage, delivery, erection and bracing of trusses and truss systems, see

ANSI/TPI1 Quality Criteria, DSB-89 and BCSI Building Component

Safety Information available from Truss Plate Institute, 2670 Crain Highway, Suite 203 Waldorf, MD 20601



818 Soundside Road
 Edenton, NC 27932

Job	Truss	Truss Type	Qty	Ply	LOT 4 N FARM	149926387
J0122-0469	C1	COMMON	1	1		

Comtech, Inc, Fayetteville, NC - 28314,

8.430 s Aug 16 2021 MiTek Industries, Inc. Thu Jan 27 09:28:48 2022 Page 1
ID:ayDjLV?s5JTJ6EXpVZkE3PydMqS-2C7qgnPJDE5VjwuwrGicUWHUfzKSmiDqa8JczrBxD



Scale = 1:20.4

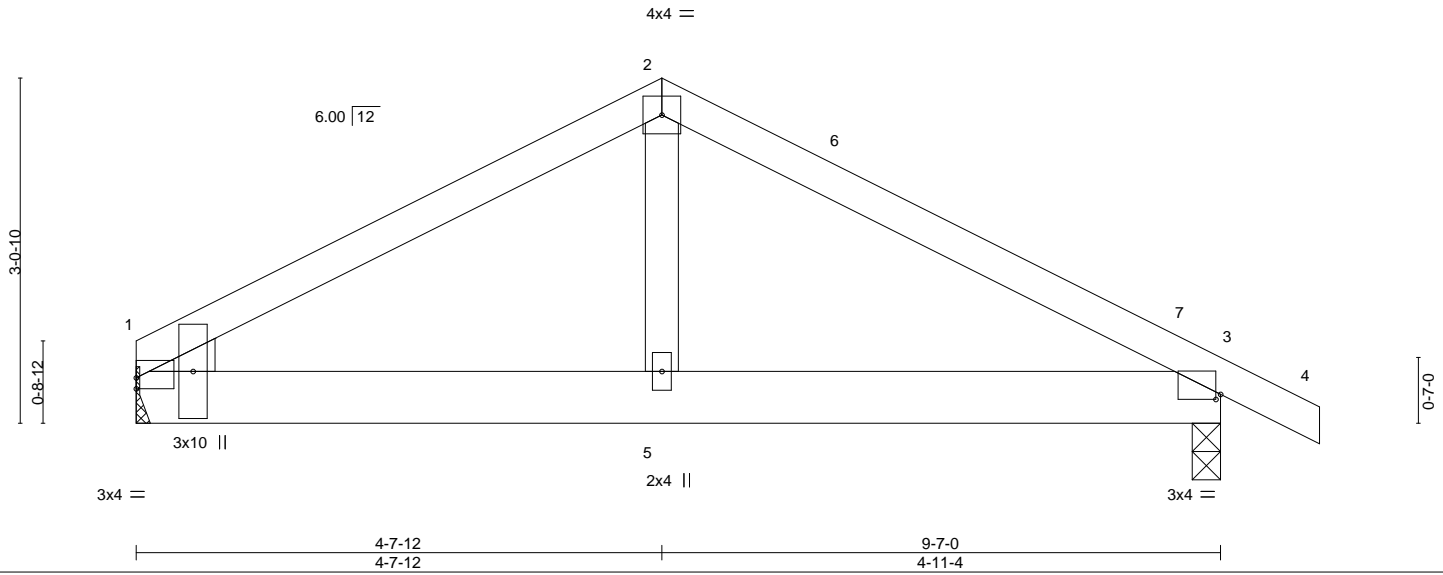


Plate Offsets (X,Y)-- [1:0-0-0,0-1-3], [3:0-0-8,0-0-9]

LOADING (psf)	SPACING-		CSI.	DEFL.	in	(loc)	l/defl	L/d	PLATES	GRIP
TCLL 20.0	Plate Grip DOL 1.15	2-0-0	TC 0.22	Vert(LL) -0.01	5	5	>999	360	MT20	244/190
TCDL 10.0	Lumber DOL 1.15		BC 0.35	Vert(CT) -0.01	3-5	3-5	>999	240		
BCLL 0.0 *	Rep Stress Incr YES		WB 0.05	Horz(CT) 0.00	3	3	n/a	n/a		
BCDL 10.0	Code IRC2015/TPI2014		Matrix-S	Wind(LL) 0.02	3-5	3-5	>999	240	Weight: 44 lb	FT = 20%

LUMBER-
TOP CHORD 2x4 SP No.1
BOT CHORD 2x6 SP No.1
WEBS 2x4 SP No.2
WEDGE
Left: 2x4 SP No.2

BRACING-
TOP CHORD Structural wood sheathing directly applied or 6-0-0 oc purlins.
BOT CHORD Rigid ceiling directly applied or 10-0-0 oc bracing.

REACTIONS. (size) 3=0-3-0, 1=Mechanical
Max Horz 1=-39(LC 8)
Max Uplift 3=-88(LC 8), 1=-81(LC 9)
Max Grav 3=439(LC 1), 1=373(LC 1)

FORCES. (lb) - Max. Comp./Max. Ten. - All forces 250 (lb) or less except when shown.
TOP CHORD 1-2=-501/581, 2-3=-502/579
BOT CHORD 1-5=-408/375, 3-5=-408/375
WEBS 2-5=-325/234

- NOTES-**
- Unbalanced roof live loads have been considered for this design.
 - Wind: ASCE 7-10; Vult=130mph Vasd=103mph; TCLL=6.0psf; BCDL=6.0psf; h=15ft; Cat. II; Exp C; Enclosed; MWFRS (envelope) and C-C Exterior(2) 0-0-12 to 9-0-9, Interior(1) 9-0-9 to 10-5-8 zone; porch left and right exposed;C-C for members and forces & MWFRS for reactions shown; Lumber DOL=1.60 plate grip DOL=1.60
 - This truss has been designed for a 10.0 psf bottom chord live load nonconcurrent with any other live loads.
 - * This truss has been designed for a live load of 30.0psf on the bottom chord in all areas where a rectangle 3-6-0 tall by 2-0-0 wide will fit between the bottom chord and any other members.
 - Refer to girder(s) for truss to truss connections.
 - Provide mechanical connection (by others) of truss to bearing plate capable of withstanding 100 lb uplift at joint(s) 3, 1.



January 27, 2022

WARNING - Verify design parameters and READ NOTES ON THIS AND INCLUDED MITEK REFERENCE PAGE MII-7473 rev. 5/19/2020 BEFORE USE.

Design valid for use only with MiTek® connectors. This design is based only upon parameters shown, and is for an individual building component, not a truss system. Before use, the building designer must verify the applicability of design parameters and properly incorporate this design into the overall building design. Bracing indicated is to prevent buckling of individual truss web and/or chord members only. Additional temporary and permanent bracing is always required for stability and to prevent collapse with possible personal injury and property damage. For general guidance regarding the fabrication, storage, delivery, erection and bracing of trusses and truss systems, see

Safety Information available from Truss Plate Institute, 2670 Crain Highway, Suite 203 Waldorf, MD 20601
ANSI/TPI1 Quality Criteria, DSB-89 and BCSI Building Component



818 Soundside Road
Edenton, NC 27932

Job	Truss	Truss Type	Qty	Ply	LOT 4 N FARM	I49926388
J0122-0469	C1GE	GABLE	1	1	Job Reference (optional)	

Comtech, Inc, Fayetteville, NC - 28314,

8.430 s Aug 16 2021 MiTek Industries, Inc. Thu Jan 27 09:28:48 2022 Page 1
ID:ayDjLV?s5JTJ6EXpVZKE3PydMqS-2C7qgnPJDE5VjwuwprGicUVNUgdKSmiDqa8JczrBxD



Scale = 1:21.4

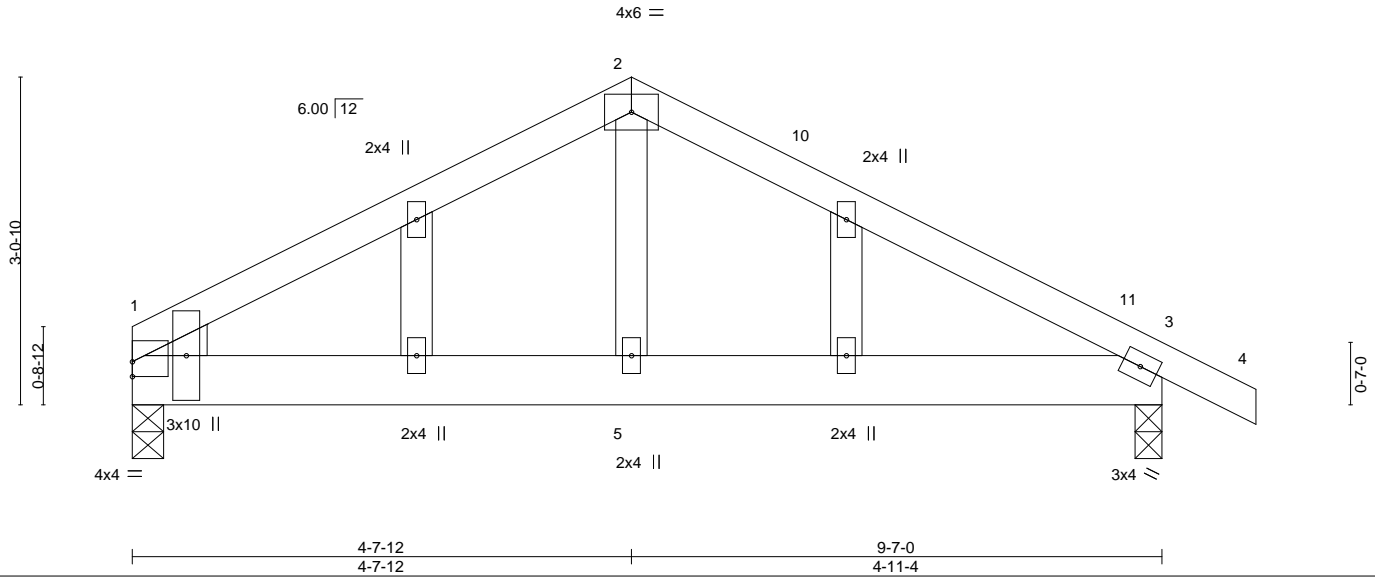


Plate Offsets (X,Y)-- [1:0-0-0,0-1-11]

LOADING (psf)	SPACING-	2-0-0	CSI.	DEFL.	in	(loc)	l/defl	L/d	PLATES	GRIP
TCLL 20.0	Plate Grip DOL	1.15	TC 0.28	Vert(LL)	-0.01	5	>999	360	MT20	244/190
TCDL 10.0	Lumber DOL	1.15	BC 0.31	Vert(CT)	-0.01	3-5	>999	240		
BCLL 0.0 *	Rep Stress Incr	YES	WB 0.05	Horz(CT)	0.00	3	n/a	n/a		
BCDL 10.0	Code	IRC2015/TPI2014	Matrix-S	Wind(LL)	0.01	3-5	>999	240	Weight: 48 lb	FT = 20%

LUMBER-

TOP CHORD 2x4 SP No.1
BOT CHORD 2x6 SP No.1
WEBS 2x4 SP No.2
OTHERS 2x4 SP No.2
WEDGE
Left: 2x4 SP No.2

BRACING-

TOP CHORD Structural wood sheathing directly applied or 6-0-0 oc purlins.
BOT CHORD Rigid ceiling directly applied or 10-0-0 oc bracing.

REACTIONS.

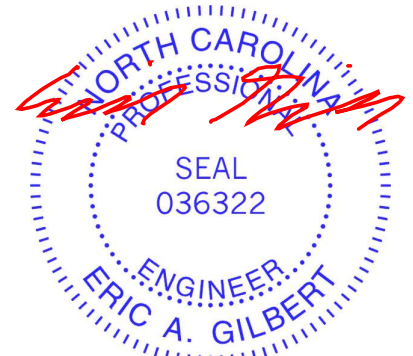
(size) 3=0-3-0, 1=0-3-8
Max Horz 1=-64(LC 17)
Max Uplift 3=-106(LC 13), 1=-73(LC 12)
Max Grav 3=436(LC 1), 1=369(LC 1)

FORCES. (lb) - Max. Comp./Max. Ten. - All forces 250 (lb) or less except when shown.

TOP CHORD 1-2=-495/397, 2-3=-494/400
BOT CHORD 1-5=-201/368, 3-5=-201/368

NOTES-

- Unbalanced roof live loads have been considered for this design.
- Wind: ASCE 7-10; Vult=130mph Vasd=103mph; TCDL=6.0psf; BCDL=6.0psf; h=15ft; Cat. II; Exp C; Enclosed; MWFRS (envelope) gable end zone and C-C Corner(3) 0-1-12 to 9-0-9, Exterior(2) 9-0-9 to 10-5-8 zone; C-C for members and forces & MWFRS for reactions shown; Lumber DOL=1.60 plate grip DOL=1.60
- Truss designed for wind loads in the plane of the truss only. For studs exposed to wind (normal to the face), see Standard Industry Gable End Details as applicable, or consult qualified building designer as per ANSI/TPI 1.
- Gable studs spaced at 2-0-0 oc.
- This truss has been designed for a 10.0 psf bottom chord live load nonconcurrent with any other live loads.
- * This truss has been designed for a live load of 30.0psf on the bottom chord in all areas where a rectangle 3-6-0 tall by 2-0-0 wide will fit between the bottom chord and any other members.
- Provide mechanical connection (by others) of truss to bearing plate capable of withstanding 100 lb uplift at joint(s) 1 except (jt=lb) 3=106.



January 27, 2022

WARNING - Verify design parameters and READ NOTES ON THIS AND INCLUDED MITEK REFERENCE PAGE MII-7473 rev. 5/19/2020 BEFORE USE.

Design valid for use only with MiTek® connectors. This design is based only upon parameters shown, and is for an individual building component, not a truss system. Before use, the building designer must verify the applicability of design parameters and properly incorporate this design into the overall building design. Bracing indicated is to prevent buckling of individual truss web and/or chord members only. Additional temporary and permanent bracing is always required for stability and to prevent collapse with possible personal injury and property damage. For general guidance regarding the fabrication, storage, delivery, erection and bracing of trusses and truss systems, see

ANSI/TPI1 Quality Criteria, DSB-89 and BCSI Building Component

Safety Information available from Truss Plate Institute, 2670 Crain Highway, Suite 203 Waldorf, MD 20601



818 Soundside Road
Edenton, NC 27932

Job	Truss	Truss Type	Qty	Ply	LOT 4 N FARM	I49926389
J0122-0469	C2	COMMON	2	1		

Comtech, Inc., Fayetteville, NC - 28314,

8.430 s Aug 16 2021 MiTek Industries, Inc. Thu Jan 27 09:28:49 2022 Page 1

ID:ayDjLV?s5JTJ6EXpVZkE3PydMqS-WOHCu7Py_XMy7tV5UWMVeq0hzu?D3v1sSUKhs2zrBxC

Job Reference (optional)

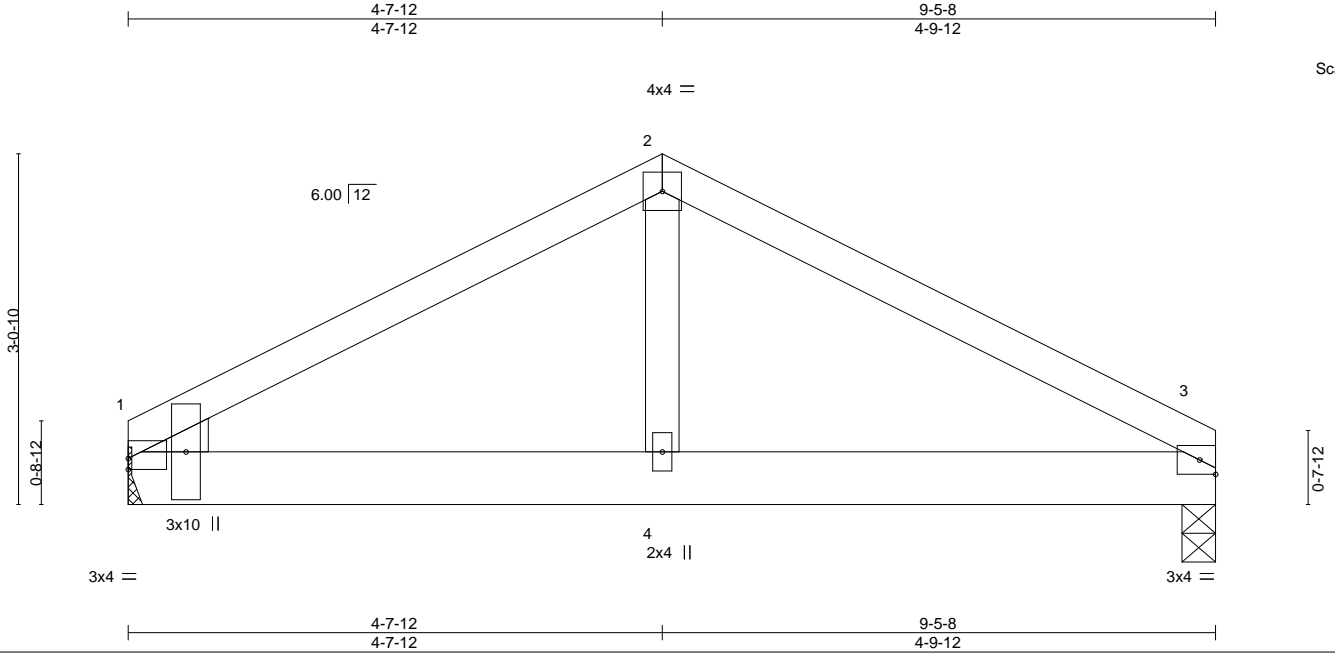


Plate Offsets (X,Y)-- [1:0-0-0,0-1-3]

LOADING (psf)	SPACING-		CSI.	DEFL.	in	(loc)	l/defl	L/d	PLATES	GRIP
TCLL 20.0	Plate Grip DOL 1.15	2-0-0	TC 0.22	Vert(LL) -0.00	-0.00	4	>999	360	MT20	244/190
TCDL 10.0	Lumber DOL 1.15		BC 0.35	Vert(CT) -0.01	-0.01	3-4	>999	240		
BCLL 0.0 *	Rep Stress Incr YES		WB 0.05	Horz(CT) 0.00	0.00	3	n/a	n/a		
BCDL 10.0	Code IRC2015/TPI2014		Matrix-S	Wind(LL) 0.02	0.02	3-4	>999	240	Weight: 42 lb	FT = 20%

LUMBER-

TOP CHORD 2x4 SP No.1
 BOT CHORD 2x6 SP No.1
 WEBS 2x4 SP No.2
 WEDGE
 Left: 2x4 SP No.2

BRACING-

TOP CHORD Structural wood sheathing directly applied or 6-0-0 oc purlins.
 BOT CHORD Rigid ceiling directly applied or 10-0-0 oc bracing.

REACTIONS.

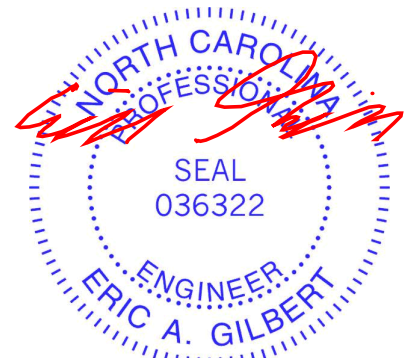
(size) 3=0-3-8, 1=Mechanical
 Max Horz 1=-35(LC 10)
 Max Uplift 3=-81(LC 8), 1=-80(LC 9)
 Max Grav 3=370(LC 1), 1=370(LC 1)

FORCES. (lb) - Max. Comp./Max. Ten. - All forces 250 (lb) or less except when shown.

TOP CHORD 1-2=-494/567, 2-3=-493/565
 BOT CHORD 1-4=-399/370, 3-4=-399/370
 WEBS 2-4=-312/230

NOTES-

- Unbalanced roof live loads have been considered for this design.
- Wind: ASCE 7-10; Vult=130mph Vasd=103mph; TCDL=6.0psf; BCDL=6.0psf; h=15ft; Cat. II; Exp C; Enclosed; MWFRS (envelope) and C-C Exterior(2) zone; porch left and right exposed;C-C for members and forces & MWFRS for reactions shown; Lumber DOL=1.60 plate grip DOL=1.60
- This truss has been designed for a 10.0 psf bottom chord live load nonconcurrent with any other live loads.
- * This truss has been designed for a live load of 30.0psf on the bottom chord in all areas where a rectangle 3-6-0 tall by 2-0-0 wide will fit between the bottom chord and any other members.
- Refer to girder(s) for truss to truss connections.
- Provide mechanical connection (by others) of truss to bearing plate capable of withstanding 100 lb uplift at joint(s) 3, 1.



January 27, 2022

WARNING - Verify design parameters and READ NOTES ON THIS AND INCLUDED MITEK REFERENCE PAGE MII-7473 rev. 5/19/2020 BEFORE USE.

Design valid for use only with MiTek® connectors. This design is based only upon parameters shown, and is for an individual building component, not a truss system. Before use, the building designer must verify the applicability of design parameters and properly incorporate this design into the overall building design. Bracing indicated is to prevent buckling of individual truss web and/or chord members only. Additional temporary and permanent bracing is always required for stability and to prevent collapse with possible personal injury and property damage. For general guidance regarding the fabrication, storage, delivery, erection and bracing of trusses and truss systems, see

ANSI/TPI1 Quality Criteria, DSB-89 and BCSI Building Component

Safety Information available from Truss Plate Institute, 2670 Crain Highway, Suite 203 Waldorf, MD 20601



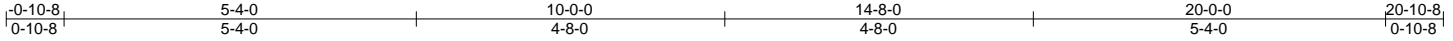
818 Soundside Road
 Edenton, NC 27932

Job	Truss	Truss Type	Qty	Ply	LOT 4 N FARM	149926390
J0122-0469	G1	Common	5	1		

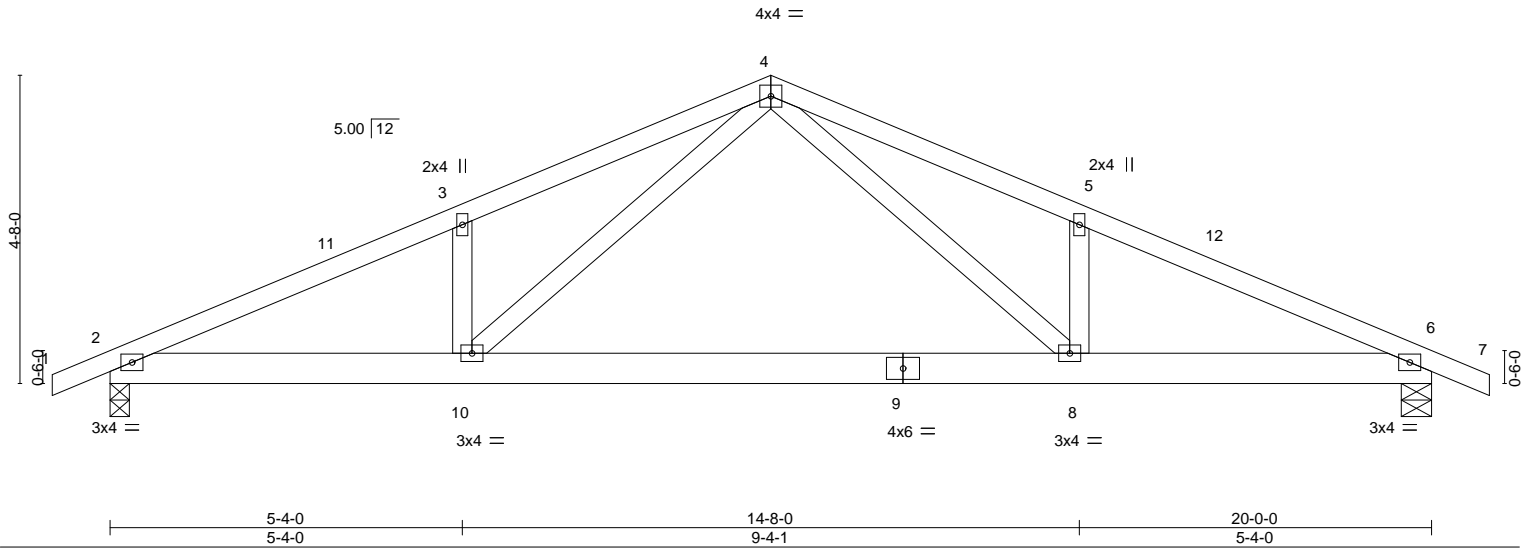
Comtech, Inc., Fayetteville, NC - 28314,

8.430 s Aug 16 2021 MiTek Industries, Inc. Thu Jan 27 09:28:50 2022 Page 1

ID:ayDjLV?s5JTJ6EXpVZkE3PydMqS-?aEa5TQairUpl14H1EtKn1Zs_HMxoKW?h83EOVzrBxB



Scale = 1:34.9



LOADING (psf)	SPACING-	CSI.	DEFL.	PLATES	GRIP
TCLL 20.0	2-0-0	TC 0.20	in (loc) l/defl L/d	MT20	244/190
TCDL 10.0	Plate Grip DOL 1.15	BC 0.25	Vert(LL) -0.06 8-10 >999 360		
BCLL 0.0 *	Lumber DOL 1.15	WB 0.16	Vert(CT) -0.15 8-10 >999 240		
BCDL 10.0	Rep Stress Incr YES	Matrix-S	Horz(CT) 0.02 6 n/a n/a		
	Code IRC2015/TPI2014		Wind(LL) 0.04 8-10 >999 240	Weight: 106 lb	FT = 20%

LUMBER-	BRACING-
TOP CHORD 2x4 SP No.1	TOP CHORD Structural wood sheathing directly applied or 4-10-2 oc purlins.
BOT CHORD 2x6 SP No.1	BOT CHORD Rigid ceiling directly applied or 10-0-0 oc bracing.
WEBS 2x4 SP No.2	

REACTIONS. (size) 2=0-3-8, 6=0-5-8
 Max Horz 2=-54(LC 17)
 Max Uplift 2=-64(LC 12), 6=-65(LC 13)
 Max Grav 2=846(LC 1), 6=852(LC 1)

FORCES. (lb) - Max. Comp./Max. Ten. - All forces 250 (lb) or less except when shown.
 TOP CHORD 2-3=-1551/334, 3-4=-1528/436, 4-5=-1510/433, 5-6=-1537/331
 BOT CHORD 2-10=-239/1357, 8-10=-127/876, 6-8=-243/1341
 WEBS 4-8=-156/652, 5-8=-268/203, 4-10=-161/671, 3-10=-279/206

- NOTES-**
- 1) Unbalanced roof live loads have been considered for this design.
 - 2) Wind: ASCE 7-10; Vult=130mph Vasd=103mph; TCDL=6.0psf; BCDL=6.0psf; h=15ft; Cat. II; Exp C; Enclosed; MWFRS (envelope) and C-C Exterior(2) -0-10-8 to 3-6-5, Interior(1) 3-6-5 to 10-0-0, Exterior(2) 10-0-0 to 14-8-0, Interior(1) 14-8-0 to 20-10-8 zone; C-C for members and forces & MWFRS for reactions shown; Lumber DOL=1.60 plate grip DOL=1.60
 - 3) This truss has been designed for a 10.0 psf bottom chord live load nonconcurrent with any other live loads.
 - 4) * This truss has been designed for a live load of 20.0psf on the bottom chord in all areas with a clearance greater than 6-0-0 between the bottom chord and any other members.
 - 5) Provide mechanical connection (by others) of truss to bearing plate capable of withstanding 100 lb uplift at joint(s) 2, 6.



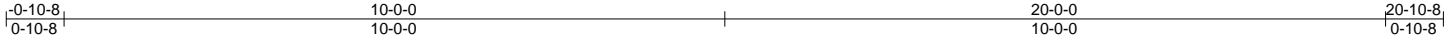
Job	Truss	Truss Type	Qty	Ply	LOT 4 N FARM	149926391
J0122-0469	G1GE	GABLE	1	1		

Comtech, Inc. Fayetteville, NC - 28314,

8.430 s Aug 16 2021 MiTek Industries, Inc. Thu Jan 27 09:28:52 2022 Page 1

ID:ayDjLV?s5JTJ6ExpVZKE3PydMqS-xzMKW9SqHskW_KDg9fvCsSeFu559GG4I8SYLSNzrBx9

Job Reference (optional)



Scale = 1:34.9

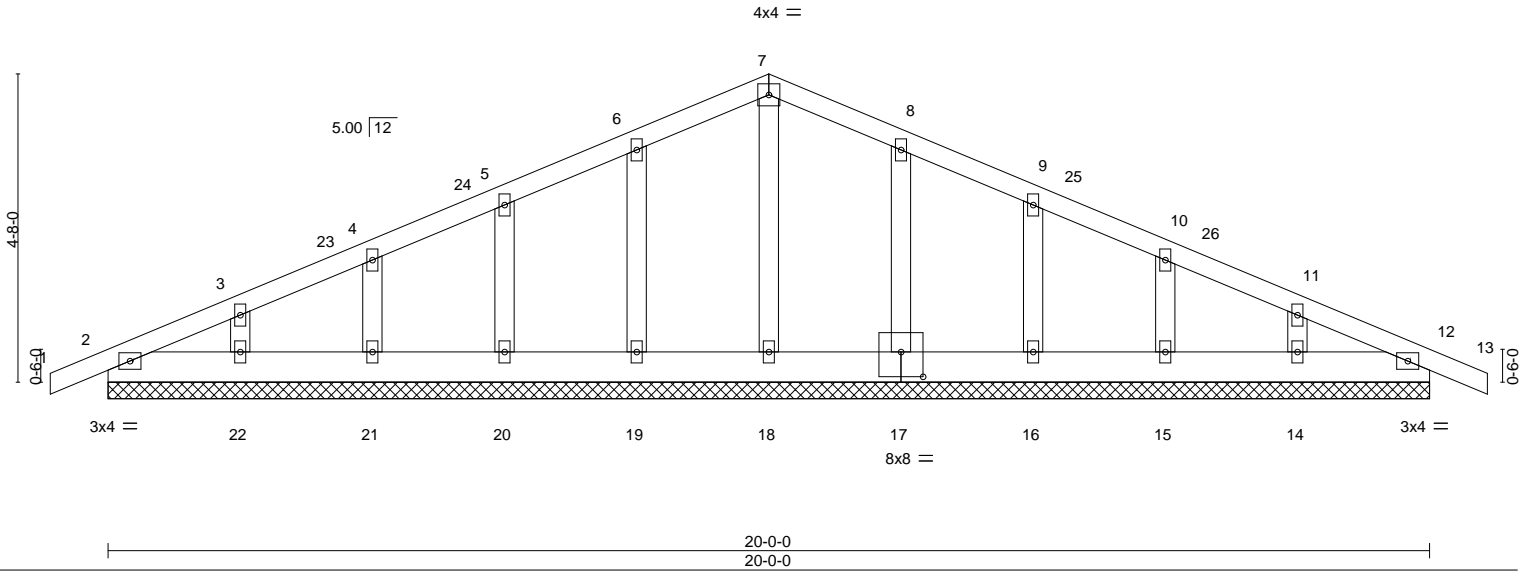


Plate Offsets (X,Y)-- [17:0-4-0,0-4-8]

LOADING (psf)	SPACING-	CSL.	DEFL.	in (loc)	l/defl	L/d	PLATES	GRIP
TCLL 20.0	Plate Grip DOL 1.15	TC 0.05	Vert(LL) -0.00	12	n/r	120	MT20	244/190
TCDL 10.0	Lumber DOL 1.15	BC 0.01	Vert(CT) -0.00	12	n/r	120		
BCLL 0.0 *	Rep Stress Incr YES	WB 0.03	Horz(CT) 0.00	12	n/a	n/a		
BCDL 10.0	Code IRC2015/TPI2014	Matrix-S						
							Weight: 110 lb	FT = 20%

LUMBER-
 TOP CHORD 2x4 SP No.1
 BOT CHORD 2x6 SP No.1
 OTHERS 2x4 SP No.2

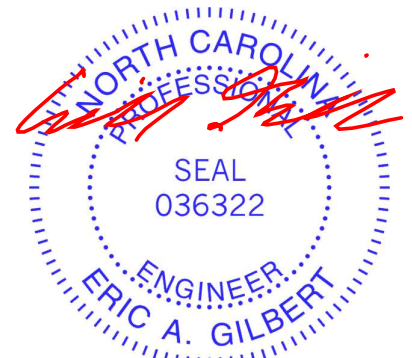
BRACING-
 TOP CHORD Structural wood sheathing directly applied or 6-0-0 oc purlins.
 BOT CHORD Rigid ceiling directly applied or 10-0-0 oc bracing.

REACTIONS. All bearings 20-0-0.
 (lb) - Max Horz 2=92(LC 17)
 Max Uplift All uplift 100 lb or less at joint(s) 2, 12, 19, 20, 21, 22, 17, 16, 15, 14
 Max Grav All reactions 250 lb or less at joint(s) 2, 12, 18, 19, 20, 21, 22, 17, 16, 15, 14

FORCES. (lb) - Max. Comp./Max. Ten. - All forces 250 (lb) or less except when shown.

NOTES-

- Unbalanced roof live loads have been considered for this design.
- Wind: ASCE 7-10; Vult=130mph Vasd=103mph; TCDL=6.0psf; BCDL=6.0psf; h=15ft; Cat. II; Exp C; Enclosed; MWFRS (envelope) gable end zone and C-C Corner(3) -0-10-8 to 3-6-5, Exterior(2) 3-6-5 to 10-0-0, Corner(3) 10-0-0 to 14-4-13, Exterior(2) 14-4-13 to 20-10-8 zone; C-C for members and forces & MWFRS for reactions shown; Lumber DOL=1.60 plate grip DOL=1.60
- Truss designed for wind loads in the plane of the truss only. For studs exposed to wind (normal to the face), see Standard Industry Gable End Details as applicable, or consult qualified building designer as per ANSI/TPI 1.
- All plates are 2x4 MT20 unless otherwise indicated.
- Gable requires continuous bottom chord bearing.
- Gable studs spaced at 2-0-0 oc.
- This truss has been designed for a 10.0 psf bottom chord live load nonconcurrent with any other live loads.
- * This truss has been designed for a live load of 20.0psf on the bottom chord in all areas with a clearance greater than 6-0-0 between the bottom chord and any other members.
- Provide mechanical connection (by others) of truss to bearing plate capable of withstanding 100 lb uplift at joint(s) 2, 12, 19, 20, 21, 22, 17, 16, 15, 14.



January 27, 2022

WARNING - Verify design parameters and READ NOTES ON THIS AND INCLUDED MITEK REFERENCE PAGE MII-7473 rev. 5/19/2020 BEFORE USE.

Design valid for use only with MiTek® connectors. This design is based only upon parameters shown, and is for an individual building component, not a truss system. Before use, the building designer must verify the applicability of design parameters and properly incorporate this design into the overall building design. Bracing indicated is to prevent buckling of individual truss web and/or chord members only. Additional temporary and permanent bracing is always required for stability and to prevent collapse with possible personal injury and property damage. For general guidance regarding the fabrication, storage, delivery, erection and bracing of trusses and truss systems, see

ANSI/TPI1 Quality Criteria, DSB-89 and BCSI Building Component

Safety Information available from Truss Plate Institute, 2670 Crain Highway, Suite 203 Waldorf, MD 20601



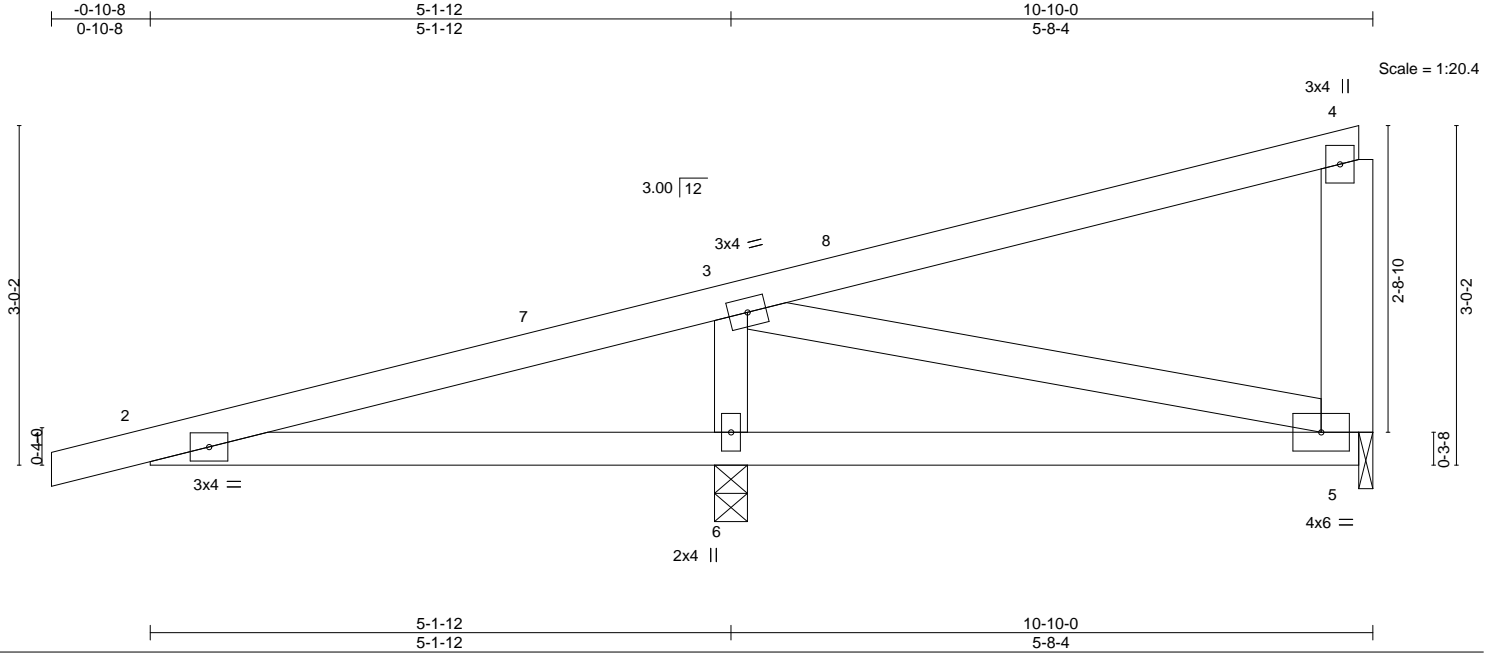
818 Soundside Road
 Edenton, NC 27932

Job	Truss	Truss Type	Qty	Ply	LOT 4 N FARM	149926392
J0122-0469	M1	MONOPITCH	4	1		

Comtech, Inc., Fayetteville, NC - 28314,

8.430 s Aug 16 2021 MiTek Industries, Inc. Thu Jan 27 09:28:53 2022 Page 1

ID:ayDjLV?s5JTJ6EXpVZKE3PydMqS-P9wjjVSS2msNcUosjMQRPGBJLVNP?cERN6lu?qzrBx8



LOADING (psf)	SPACING-	CSI.	DEFL.	in	(loc)	l/defl	L/d	PLATES	GRIP
TCLL 20.0	2-0-0	TC 0.45	Vert(LL)	-0.01	5-6	>999	360	MT20	244/190
TCDL 10.0	Plate Grip DOL 1.15	BC 0.27	Vert(CT)	-0.03	5-6	>999	240		
BCLL 0.0 *	Lumber DOL 1.15	WB 0.49	Horz(CT)	0.01	5	n/a	n/a		
BCDL 10.0	Rep Stress Incr YES	Matrix-S	Wind(LL)	-0.03	5-6	>999	240		
	Code IRC2015/TPI2014							Weight: 49 lb	FT = 20%

LUMBER-	BRACING-
TOP CHORD 2x4 SP No.1	TOP CHORD Structural wood sheathing directly applied or 5-11-14 oc purlins, except end verticals.
BOT CHORD 2x4 SP No.1	BOT CHORD Rigid ceiling directly applied or 6-0-0 oc bracing.
WEBS 2x4 SP No.2 *Except* 4-5: 2x6 SP No.1	

REACTIONS. (size) 6=0-3-8, 5=0-1-8
 Max Horz 6=96(LC 8)
 Max Uplift 6=-300(LC 8), 5=-29(LC 1)
 Max Grav 6=930(LC 1), 5=62(LC 8)

FORCES. (lb) - Max. Comp./Max. Ten. - All forces 250 (lb) or less except when shown.
 TOP CHORD 2-3=-1062/857
 BOT CHORD 2-6=-785/1069, 5-6=-785/932
 WEBS 3-6=-783/693, 3-5=-942/832

- NOTES-**
- 1) Wind: ASCE 7-10; Vult=130mph Vasd=103mph; TCDL=6.0psf; BCDL=6.0psf; h=15ft; Cat. II; Exp C; Enclosed; MWFRS (envelope) and C-C Exterior(2) -0-10-8 to 3-6-5, Interior(1) 3-6-5 to 10-7-4 zone; cantilever left exposed ;C-C for members and forces & MWFRS for reactions shown; Lumber DOL=1.60 plate grip DOL=1.60
 - 2) This truss has been designed for a 10.0 psf bottom chord live load nonconcurrent with any other live loads.
 - 3) * This truss has been designed for a live load of 30.0psf on the bottom chord in all areas where a rectangle 3-6-0 tall by 2-0-0 wide will fit between the bottom chord and any other members.
 - 4) Bearing at joint(s) 5 considers parallel to grain value using ANSI/TPI 1 angle to grain formula. Building designer should verify capacity of bearing surface.
 - 5) Provide mechanical connection (by others) of truss to bearing plate at joint(s) 5.
 - 6) Provide mechanical connection (by others) of truss to bearing plate capable of withstanding 100 lb uplift at joint(s) 5 except (jt=lb) 6=300.



January 27, 2022

Job	Truss	Truss Type	Qty	Ply	LOT 4 N FARM	149926393
J0122-0469	M1GE	GABLE	1	1	Job Reference (optional)	

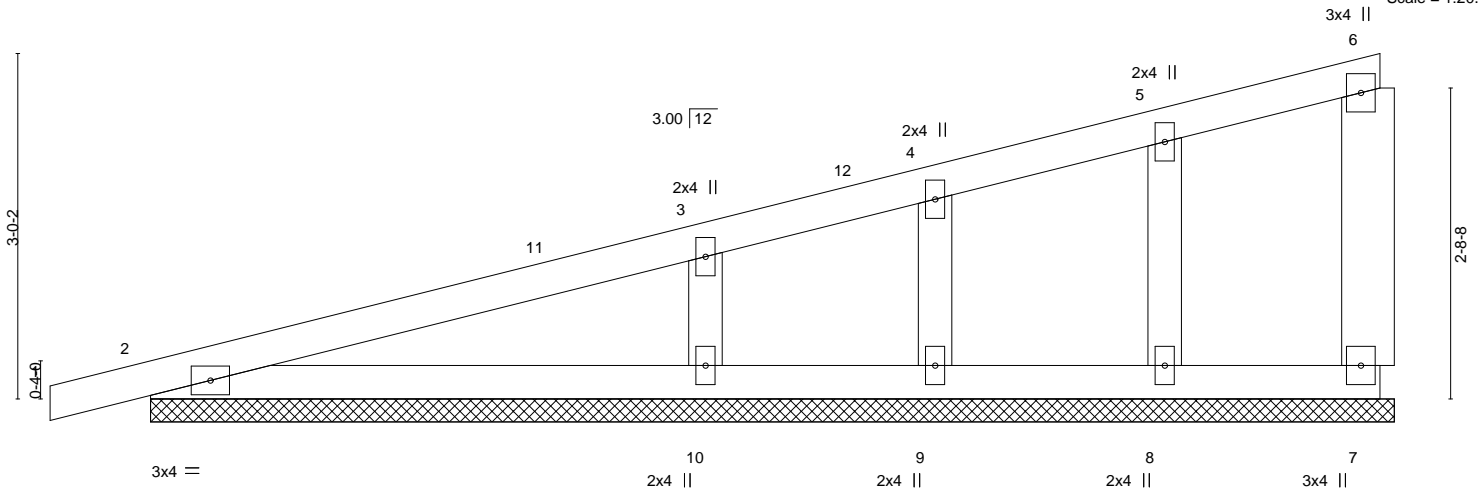
Comtech, Inc., Fayetteville, NC - 28314,

8.430 s Aug 16 2021 MiTek Industries, Inc. Thu Jan 27 09:28:54 2022 Page 1

ID:ayDjLV?s5JTJ6ExpVZKE3PydMqS-tLU5xrT4p3_EEeN2G4xgxtkY9vImkAFb1m1SXGzrBx7

10-10-0
10-10-0

Scale = 1:20.1



LOADING (psf)	SPACING-	2-0-0	CSI.	DEFL.	in	(loc)	l/defl	L/d	PLATES	GRIP
TCLL 20.0	Plate Grip DOL	1.15	TC 0.19	Vert(LL)	-0.00	1	n/r	120	MT20	244/190
TCDL 10.0	Lumber DOL	1.15	BC 0.13	Vert(CT)	0.01	1	n/r	120		
BCLL 0.0 *	Rep Stress Incr	YES	WB 0.05	Horz(CT)	-0.00	7	n/a	n/a		
BCDL 10.0	Code IRC2015/TPI2014		Matrix-S						Weight: 46 lb	FT = 20%

LUMBER-

TOP CHORD 2x4 SP No.1
 BOT CHORD 2x4 SP No.1
 WEBS 2x6 SP No.1
 OTHERS 2x4 SP No.2

BRACING-

TOP CHORD Structural wood sheathing directly applied or 6-0-0 oc purlins, except end verticals.
 BOT CHORD Rigid ceiling directly applied or 10-0-0 oc bracing.

REACTIONS.

All bearings 10-10-0.
 (lb) - Max Horz 2=137(LC 8)
 Max Uplift All uplift 100 lb or less at joint(s) 7, 2, 8, 9 except 10=125(LC 12)
 Max Grav All reactions 250 lb or less at joint(s) 7, 2, 8, 9 except 10=393(LC 1)

FORCES. (lb) - Max. Comp./Max. Ten. - All forces 250 (lb) or less except when shown.

WEBS 3-10=279/298

NOTES-

- 1) Wind: ASCE 7-10; Vult=130mph Vasd=103mph; TCDL=6.0psf; BCDL=6.0psf; h=15ft; Cat. II; Exp C; Enclosed; MWFRS (envelope) gable end zone and C-C Corner(3) -0-10-8 to 3-6-5, Exterior(2) 3-6-5 to 10-7-4 zone; C-C for members and forces & MWFRS for reactions shown; Lumber DOL=1.60 plate grip DOL=1.60
- 2) Truss designed for wind loads in the plane of the truss only. For studs exposed to wind (normal to the face), see Standard Industry Gable End Details as applicable, or consult qualified building designer as per ANSI/TPI 1.
- 3) Gable requires continuous bottom chord bearing.
- 4) Gable studs spaced at 2-0-0 oc.
- 5) This truss has been designed for a 10.0 psf bottom chord live load nonconcurrent with any other live loads.
- 6) * This truss has been designed for a live load of 30.0psf on the bottom chord in all areas where a rectangle 3-6-0 tall by 2-0-0 wide will fit between the bottom chord and any other members.
- 7) Provide mechanical connection (by others) of truss to bearing plate capable of withstanding 100 lb uplift at joint(s) 7, 2, 8, 9 except (jt=lb) 10=125.



January 27, 2022

WARNING - Verify design parameters and READ NOTES ON THIS AND INCLUDED MITEK REFERENCE PAGE MII-7473 rev. 5/19/2020 BEFORE USE.

Design valid for use only with MiTek® connectors. This design is based only upon parameters shown, and is for an individual building component, not a truss system. Before use, the building designer must verify the applicability of design parameters and properly incorporate this design into the overall building design. Bracing indicated is to prevent buckling of individual truss web and/or chord members only. Additional temporary and permanent bracing is always required for stability and to prevent collapse with possible personal injury and property damage. For general guidance regarding the fabrication, storage, delivery, erection and bracing of trusses and truss systems, see

ANSI/TPI1 Quality Criteria, DSB-89 and BCSI Building Component

Safety Information available from Truss Plate Institute, 2670 Crain Highway, Suite 203 Waldorf, MD 20601



818 Soundside Road
 Edenton, NC 27932

Job	Truss	Truss Type	Qty	Ply	LOT 4 N FARM	149926394
J0122-0469	M2	MONOPITCH GIRDER	1	2	Job Reference (optional)	

Comtech, Inc. Fayetteville, NC - 28314,

8.430 s Aug 16 2021 MiTek Industries, Inc. Thu Jan 27 09:28:55 2022 Page 1
 ID:ayDjLV?s5JTJ6EXpVZkE3PydMqS-LY2T8BUiaN75royEqnTvU5GkK14nTd_kqQn?3izrBxB

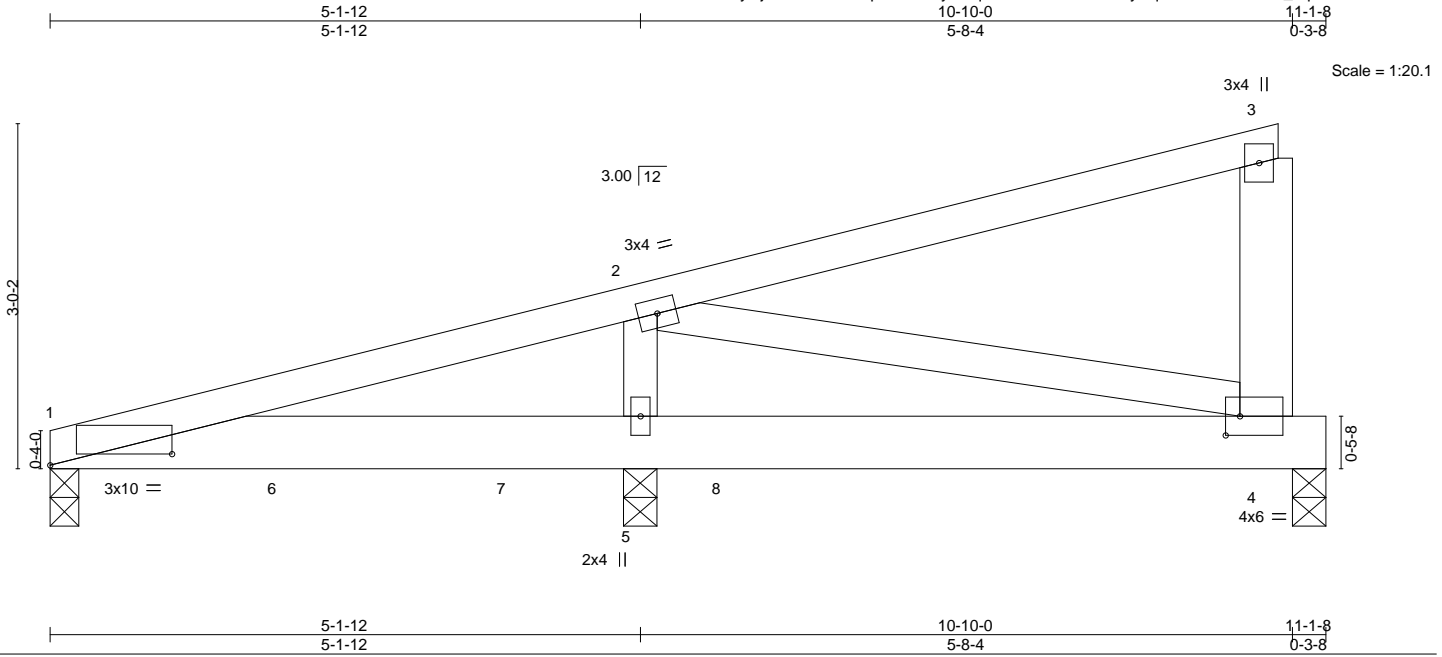


PLATE OFFSETS (X,Y)--	[1:1-0-12,0-1-3], [4:0-1-8,0-2-0]								
LOADING (psf)	SPACING-	2-0-0	CSI.	DEFL.	in (loc)	l/defl	L/d	PLATES	GRIP
TCLL 20.0	Plate Grip DOL 1.15		TC 0.17	Vert(LL) -0.01	1-5	>999	360	MT20	244/190
TCDL 10.0	Lumber DOL 1.15		BC 0.21	Vert(CT) -0.02	1-5	>999	240		
BCLL 0.0 *	Rep Stress Incr NO		WB 0.02	Horz(CT) -0.00	4	n/a	n/a		
BCDL 10.0	Code IRC2015/TPI2014		Matrix-S	Wind(LL) 0.01	1-5	>999	240	Weight: 114 lb	FT = 20%

LUMBER-	BRACING-
TOP CHORD 2x4 SP No.1	TOP CHORD Structural wood sheathing directly applied or 6-0-0 oc purlins, except end verticals.
BOT CHORD 2x6 SP No.1	BOT CHORD Rigid ceiling directly applied or 10-0-0 oc bracing.
WEBS 2x4 SP No.2 *Except* 3-4: 2x6 SP No.1	

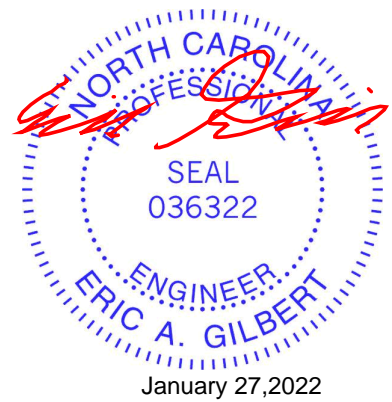
REACTIONS. (size) 1=0-3-0, 4=0-3-8, 5=0-3-8
 Max Horz 1=85(LC 4)
 Max Uplift 1=96(LC 4), 4=-38(LC 23), 5=-316(LC 4)
 Max Grav 1=372(LC 1), 4=157(LC 1), 5=1362(LC 1)

FORCES. (lb) - Max. Comp./Max. Ten. - All forces 250 (lb) or less except when shown.
 WEBS 2-5=-374/129

- NOTES-**
- 2-ply truss to be connected together with 10d (0.131"x3") nails as follows:
 Top chords connected as follows: 2x4 - 1 row at 0-9-0 oc, 2x6 - 2 rows staggered at 0-9-0 oc.
 Bottom chords connected as follows: 2x6 - 2 rows staggered at 0-9-0 oc.
 Webs connected as follows: 2x4 - 1 row at 0-9-0 oc.
 - All loads are considered equally applied to all plies, except if noted as front (F) or back (B) face in the LOAD CASE(S) section. Ply to ply connections have been provided to distribute only loads noted as (F) or (B), unless otherwise indicated.
 - Wind: ASCE 7-10; Vult=130mph Vasd=103mph; TCDL=6.0psf; BCDL=6.0psf; h=15ft; Cat. II; Exp C; Enclosed; MWFRS (envelope); porch left exposed; Lumber DOL=1.60 plate grip DOL=1.60
 - This truss has been designed for a 10.0 psf bottom chord live load nonconcurrent with any other live loads.
 - * This truss has been designed for a live load of 30.0psf on the bottom chord in all areas where a rectangle 3-6-0 tall by 2-0-0 wide will fit between the bottom chord and any other members.
 - Provide mechanical connection (by others) of truss to bearing plate capable of withstanding 100 lb uplift at joint(s) 1, 4 except (jt=lb) 5=316.
 - Hanger(s) or other connection device(s) shall be provided sufficient to support concentrated load(s) 353 lb down and 101 lb up at 2-0-12, and 350 lb down and 100 lb up at 4-0-12, and 350 lb down and 100 lb up at 5-11-4 on bottom chord. The design/selection of such connection device(s) is the responsibility of others.

LOAD CASE(S) Standard

- Dead + Roof Live (balanced): Lumber Increase=1.15, Plate Increase=1.15
 Uniform Loads (plf)
 Vert: 1-3=-60, 1-4=-20
 Concentrated Loads (lb)
 Vert: 6=-353(F) 7=-350(F) 8=-350(F)



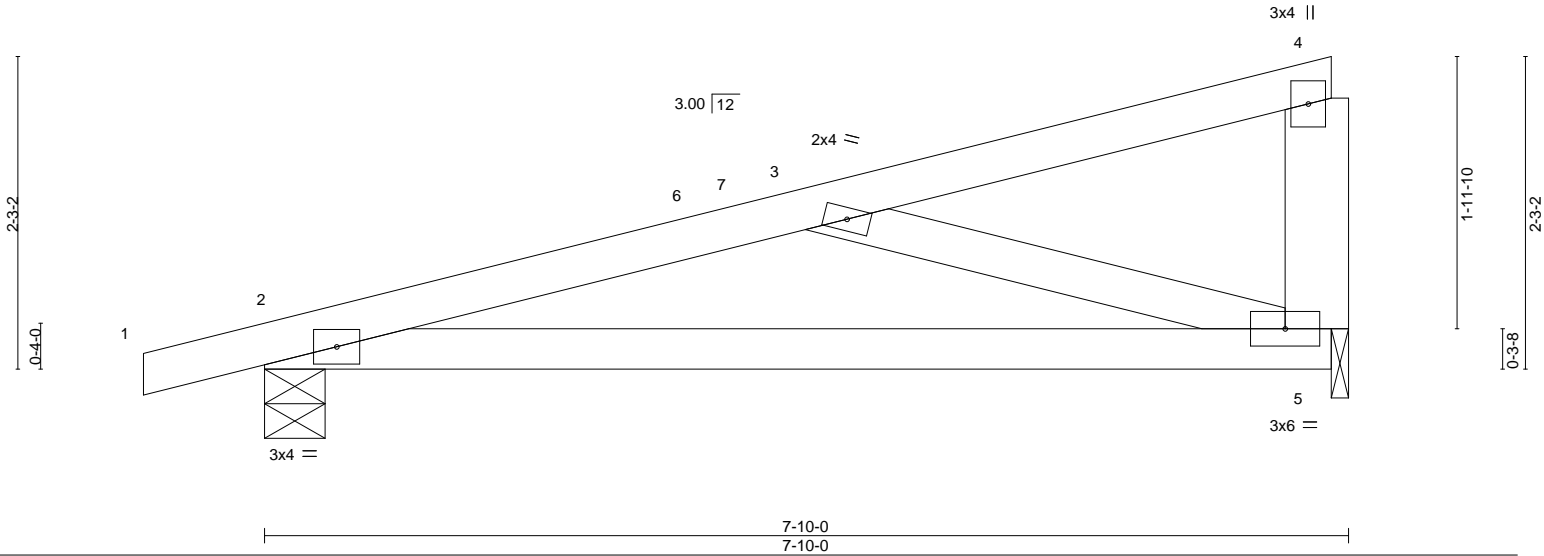
Job	Truss	Truss Type	Qty	Ply	LOT 4 N FARM	I49926395
J0122-0469	M3	MONOPITCH	6	1		

Comtech, Inc., Fayetteville, NC - 28314,

8.430 s Aug 16 2021 MiTek Industries, Inc. Thu Jan 27 09:28:56 2022 Page 1
ID:ayDjLV?s5JTJ6EXpVZkE3PydMqS-pkcrMWVLLhFyTyXROU_80lpwileC3pu34WZb9zrBx5



Scale = 1:16.6



LOADING (psf)	SPACING-	CSI.	DEFL.	in	(loc)	l/defl	L/d	PLATES	GRIP
TCLL 20.0	Plate Grip DOL 1.15	TC 0.12	Vert(LL) -0.16	2-5	>568	360		MT20	244/190
TCDL 10.0	Lumber DOL 1.15	BC 0.55	Vert(CT) -0.31	2-5	>284	240			
BCLL 0.0 *	Rep Stress Incr YES	WB 0.11	Horz(CT) 0.00	5	n/a	n/a			
BCDL 10.0	Code IRC2015/TPI2014	Matrix-P	Wind(LL) 0.00	2	****	240			

Weight: 34 lb FT = 20%

LUMBER-

TOP CHORD 2x4 SP No.1
BOT CHORD 2x4 SP No.1
WEBS 2x6 SP No.1 *Except*
3-5: 2x4 SP No.2

BRACING-

TOP CHORD Structural wood sheathing directly applied or 6-0-0 oc purlins, except end verticals.
BOT CHORD Rigid ceiling directly applied or 9-9-6 oc bracing.

REACTIONS.

(size) 2=0-5-4, 5=0-1-8
Max Horz 2=72(LC 8)
Max Uplift 2=-66(LC 8), 5=-39(LC 12)
Max Grav 2=366(LC 1), 5=291(LC 1)

FORCES. (lb) - Max. Comp./Max. Ten. - All forces 250 (lb) or less except when shown.

TOP CHORD 2-3=-502/307
BOT CHORD 2-5=-378/459
WEBS 3-5=-476/392

NOTES-

- 1) Wind: ASCE 7-10; Vult=130mph Vasd=103mph; TCDL=6.0psf; BCDL=6.0psf; h=15ft; Cat. II; Exp C; Enclosed; MWFRS (envelope) and C-C Exterior(2) -0-10-8 to 3-6-5, Interior(1) 3-6-5 to 7-7-4 zone;C-C for members and forces & MWFRS for reactions shown; Lumber DOL=1.60 plate grip DOL=1.60
- 2) This truss has been designed for a 10.0 psf bottom chord live load nonconcurrent with any other live loads.
- 3) * This truss has been designed for a live load of 30.0psf on the bottom chord in all areas where a rectangle 3-6-0 tall by 2-0-0 wide will fit between the bottom chord and any other members.
- 4) Bearing at joint(s) 5 considers parallel to grain value using ANSI/TPI 1 angle to grain formula. Building designer should verify capacity of bearing surface.
- 5) Provide mechanical connection (by others) of truss to bearing plate at joint(s) 5.
- 6) Provide mechanical connection (by others) of truss to bearing plate capable of withstanding 100 lb uplift at joint(s) 2, 5.



January 27, 2022

WARNING - Verify design parameters and READ NOTES ON THIS AND INCLUDED MITEK REFERENCE PAGE MII-7473 rev. 5/19/2020 BEFORE USE.

Design valid for use only with MiTek® connectors. This design is based only upon parameters shown, and is for an individual building component, not a truss system. Before use, the building designer must verify the applicability of design parameters and properly incorporate this design into the overall building design. Bracing indicated is to prevent buckling of individual truss web and/or chord members only. Additional temporary and permanent bracing is always required for stability and to prevent collapse with possible personal injury and property damage. For general guidance regarding the fabrication, storage, delivery, erection and bracing of trusses and truss systems, see

ANSI/TPI1 Quality Criteria, DSB-89 and BCSI Building Component

Safety Information available from Truss Plate Institute, 2670 Crain Highway, Suite 203 Waldorf, MD 20601



818 Soundside Road
Edenton, NC 27932

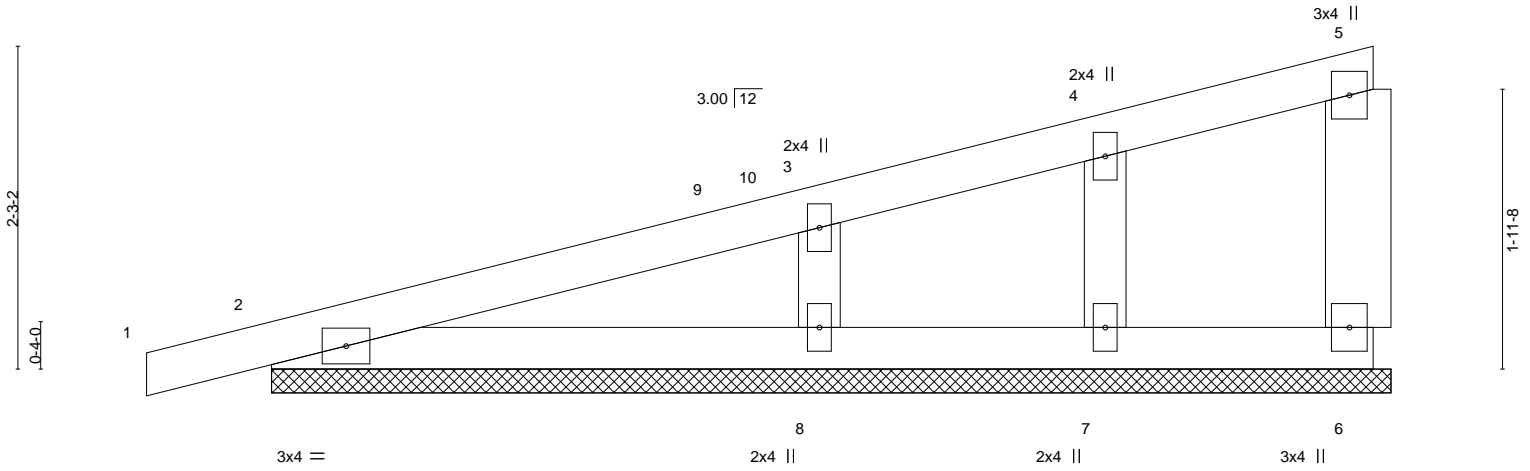
Job	Truss	Truss Type	Qty	Ply	LOT 4 N FARM	149926396
J0122-0469	M3GE	GABLE	1	1	Job Reference (optional)	

Comtech, Inc, Fayetteville, NC - 28314,

8.430 s Aug 16 2021 MiTek Industries, Inc. Thu Jan 27 09:28:56 2022 Page 1
ID:ayDjLV?s5JTJ6EXpVZke3PymQs-pkcrMWVLLhFyTyXROU_80lpwjiSxC4mu34WZb9zrBx5



Scale: 3/4"=1'



LOADING (psf)	SPACING-	2-0-0	CSI.	DEFL.	in (loc)	l/defl	L/d	PLATES	GRIP
TCLL 20.0	Plate Grip DOL	1.15	TC 0.12	Vert(LL)	-0.00	1	n/r	MT20	244/190
TCDL 10.0	Lumber DOL	1.15	BC 0.09	Vert(CT)	0.00	1	n/r		
BCLL 0.0 *	Rep Stress Incr	YES	WB 0.05	Horz(CT)	0.00		n/a		
BCDL 10.0	Code IRC2015/TPI2014		Matrix-P					Weight: 32 lb	FT = 20%

LUMBER-

TOP CHORD 2x4 SP No.1
BOT CHORD 2x4 SP No.1
WEBS 2x6 SP No.1
OTHERS 2x4 SP No.2

BRACING-

TOP CHORD Structural wood sheathing directly applied or 6-0-0 oc purlins, except end verticals.
BOT CHORD Rigid ceiling directly applied or 10-0-0 oc bracing.

REACTIONS.

All bearings 7-10-0.
(lb) - Max Horz 2=102(LC 8)
Max Uplift All uplift 100 lb or less at joint(s) 6, 2, 7, 8
Max Grav All reactions 250 lb or less at joint(s) 6, 2, 7 except 8=299(LC 1)

FORCES. (lb) - Max. Comp./Max. Ten. - All forces 250 (lb) or less except when shown.

WEBS 3-8=-221/291

NOTES-

- 1) Wind: ASCE 7-10; Vult=130mph Vasd=103mph; TCDL=6.0psf; BCDL=6.0psf; h=15ft; Cat. II; Exp C; Enclosed; MWFRS (envelope) gable end zone and C-C Corner(3) -0-10-8 to 3-6-5, Exterior(2) 3-6-5 to 7-7-4 zone;C-C for members and forces & MWFRS for reactions shown; Lumber DOL=1.60 plate grip DOL=1.60
- 2) Truss designed for wind loads in the plane of the truss only. For studs exposed to wind (normal to the face), see Standard Industry Gable End Details as applicable, or consult qualified building designer as per ANSI/TPI 1.
- 3) Gable requires continuous bottom chord bearing.
- 4) Gable studs spaced at 2-0-0 oc.
- 5) This truss has been designed for a 10.0 psf bottom chord live load nonconcurrent with any other live loads.
- 6) * This truss has been designed for a live load of 30.0psf on the bottom chord in all areas where a rectangle 3-6-0 tall by 2-0-0 wide will fit between the bottom chord and any other members.
- 7) Provide mechanical connection (by others) of truss to bearing plate capable of withstanding 100 lb uplift at joint(s) 6, 2, 7, 8.



January 27, 2022

WARNING - Verify design parameters and READ NOTES ON THIS AND INCLUDED MITEK REFERENCE PAGE MII-7473 rev. 5/19/2020 BEFORE USE.

Design valid for use only with MiTek® connectors. This design is based only upon parameters shown, and is for an individual building component, not a truss system. Before use, the building designer must verify the applicability of design parameters and properly incorporate this design into the overall building design. Bracing indicated is to prevent buckling of individual truss web and/or chord members only. Additional temporary and permanent bracing is always required for stability and to prevent collapse with possible personal injury and property damage. For general guidance regarding the fabrication, storage, delivery, erection and bracing of trusses and truss systems, see

ANSI/TPI1 Quality Criteria, DSB-89 and BCSI Building Component

Safety Information available from Truss Plate Institute, 2670 Crain Highway, Suite 203 Waldorf, MD 20601



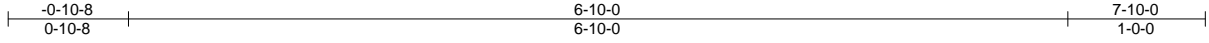
818 Soundside Road
Edenton, NC 27932

Job	Truss	Truss Type	Qty	Ply	LOT 4 N FARM	149926397
J0122-0469	M4	ROOF SPECIAL	1	2	Job Reference (optional)	

Comtech, Inc., Fayetteville, NC - 28314,

8.430 s Aug 16 2021 MiTek Industries, Inc. Thu Jan 27 09:28:57 2022 Page 1

ID:ayDjLV?s5JTJ6ExpVZKE3PydMqS-HwADZsWz6_Np556dyCVNZVM3n6lcXxd1kG68bZrBx4



Scale = 1:16.8

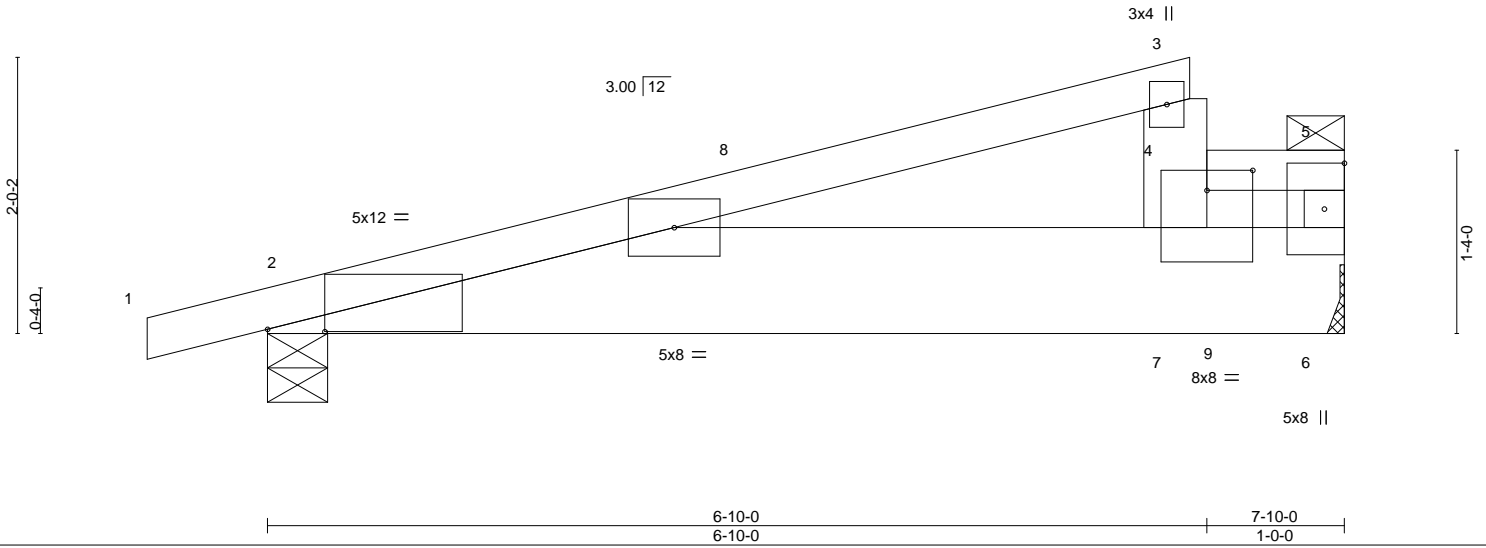


Plate Offsets (X,Y)-- [2:0-5-0,0-0-3], [7:0-4-0,0-1-12]

LOADING (psf)	SPACING-	CSL.	DEFL.	in (loc)	l/defl	L/d	PLATES	GRIP
TCLL 20.0	Plate Grip DOL 1.15	TC 0.23	Vert(LL) -0.01	2-7	>999	360	MT20	244/190
TCDL 10.0	Lumber DOL 1.15	BC 0.25	Vert(CT) -0.02	2-7	>999	240		
BCLL 0.0 *	Rep Stress Incr NO	WB 0.01	Horz(CT) 0.00	6	n/a	n/a		
BCDL 10.0	Code IRC2015/TPI2014	Matrix-S	Wind(LL) 0.02	2-7	>999	240	Weight: 93 lb	FT = 20%

LUMBER-

TOP CHORD 2x4 SP No.1
 BOT CHORD 2x10 SP No.1
 WEBS 2x6 SP No.1 *Except*
 5-6: 2x4 SP No.2

BRACING-

TOP CHORD Structural wood sheathing directly applied or 6-0-0 oc purlins, except end verticals, and 2-0-0 oc purlins: 4-7, 4-5. Except: 6-0-0 oc bracing: 3-4
 BOT CHORD Rigid ceiling directly applied or 10-0-0 oc bracing.

REACTIONS.

(size) 2=0-5-4, 6=Mechanical
 Max Horz 2=68(LC 8)
 Max Uplift 2=-92(LC 8), 6=-578(LC 12)
 Max Grav 2=577(LC 1), 6=5459(LC 1)

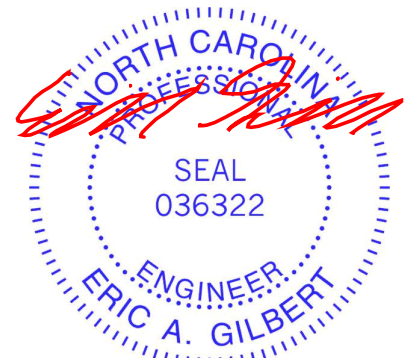
FORCES. (lb) - Max. Comp./Max. Ten. - All forces 250 (lb) or less except when shown.

TOP CHORD 2-3=-673/321
 BOT CHORD 2-7=-349/612

NOTES-

- 2-ply truss to be connected together with 10d (0.131"x3") nails as follows:
 Top chords connected as follows: 2x4 - 1 row at 0-9-0 oc, 2x6 - 2 rows staggered at 0-9-0 oc.
 Bottom chords connected as follows: 2x10 - 2 rows staggered at 0-7-0 oc.
 Webs connected as follows: 2x4 - 1 row at 0-9-0 oc.
- All loads are considered equally applied to all plies, except if noted as front (F) or back (B) face in the LOAD CASE(S) section. Ply to ply connections have been provided to distribute only loads noted as (F) or (B), unless otherwise indicated.
- Unbalanced roof live loads have been considered for this design.
- Wind: ASCE 7-10; Vult=130mph Vasd=103mph; TCDL=6.0psf; BCDL=6.0psf; h=15ft; Cat. II; Exp C; Enclosed; MWFRS (envelope) and C-C Exterior(2) -0-10-8 to 3-6-5, Interior(1) 3-6-5 to 7-8-4 zone; C-C for members and forces & MWFRS for reactions shown; Lumber DOL=1.60 plate grip DOL=1.60
- Provide adequate drainage to prevent water ponding.
- This truss has been designed for a 10.0 psf bottom chord live load nonconcurrent with any other live loads.
- * This truss has been designed for a live load of 30.0psf on the bottom chord in all areas where a rectangle 3-6-0 tall by 2-0-0 wide will fit between the bottom chord and any other members.
- Refer to girder(s) for truss to truss connections.
- Provide mechanical connection (by others) of truss to bearing plate capable of withstanding 100 lb uplift at joint(s) 2 except (jt=lb) 6=578.
- Graphical purlin representation does not depict the size or the orientation of the purlin along the top and/or bottom chord.
- Hanger(s) or other connection device(s) shall be provided sufficient to support concentrated load(s) 3397 lb down and 1819 lb up at 7-8-4, and 488 lb down and 261 lb up at 6-10-12, and 1399 lb down and 749 lb up at 6-11-12 on bottom chord. The design/selection of such connection device(s) is the responsibility of others.

LOAD CASE(S) Standard



Continued on page 2

WARNING - Verify design parameters and READ NOTES ON THIS AND INCLUDED MITEK REFERENCE PAGE MII-7473 rev. 5/19/2020 BEFORE USE.

Design valid for use only with MiTek® connectors. This design is based only upon parameters shown, and is for an individual building component, not a truss system. Before use, the building designer must verify the applicability of design parameters and properly incorporate this design into the overall building design. Bracing indicated is to prevent buckling of individual truss web and/or chord members only. Additional temporary and permanent bracing is always required for stability and to prevent collapse with possible personal injury and property damage. For general guidance regarding the fabrication, storage, delivery, erection and bracing of trusses and truss systems, see **ANSI/TPI1 Quality Criteria, DSB-89 and BCSI Building Component Safety Information** available from Truss Plate Institute, 2670 Crain Highway, Suite 203 Waldorf, MD 20601



818 Soundside Road
 Edenton, NC 27932

Job	Truss	Truss Type	Qty	Ply	LOT 4 N FARM	I49926397
J0122-0469	M4	ROOF SPECIAL	1	2	Job Reference (optional)	

Comtech, Inc, Fayetteville, NC - 28314,

8.430 s Aug 16 2021 MiTek Industries, Inc. Thu Jan 27 09:28:57 2022 Page 2
 ID:ayDjLV?s5JTJ6EXpVZKE3PydMqS-HwADZsWz6_Np556dyCVNZVM3n6lcXxd1kG68bZrBx4

LOAD CASE(S) Standard

- 1) Dead + Roof Live (balanced): Lumber Increase=1.15, Plate Increase=1.15
- Uniform Loads (plf)
 - Vert: 1-3=-60, 2-9=-20, 6-9=-145, 4-5=-60
- Concentrated Loads (lb)
 - Vert: 7=-488 6=-3397 9=-1399(F)

WARNING - Verify design parameters and READ NOTES ON THIS AND INCLUDED MITEK REFERENCE PAGE MII-7473 rev. 5/19/2020 BEFORE USE.

Design valid for use only with MiTek® connectors. This design is based only upon parameters shown, and is for an individual building component, not a truss system. Before use, the building designer must verify the applicability of design parameters and properly incorporate this design into the overall building design. Bracing indicated is to prevent buckling of individual truss web and/or chord members only. Additional temporary and permanent bracing is always required for stability and to prevent collapse with possible personal injury and property damage. For general guidance regarding the fabrication, storage, delivery, erection and bracing of trusses and truss systems, see **ANSI/TPI1 Quality Criteria, DSB-89 and BCSI Building Component Safety Information** available from Truss Plate Institute, 2670 Crain Highway, Suite 203 Waldorf, MD 20601



818 Soundside Road
 Edenton, NC 27932

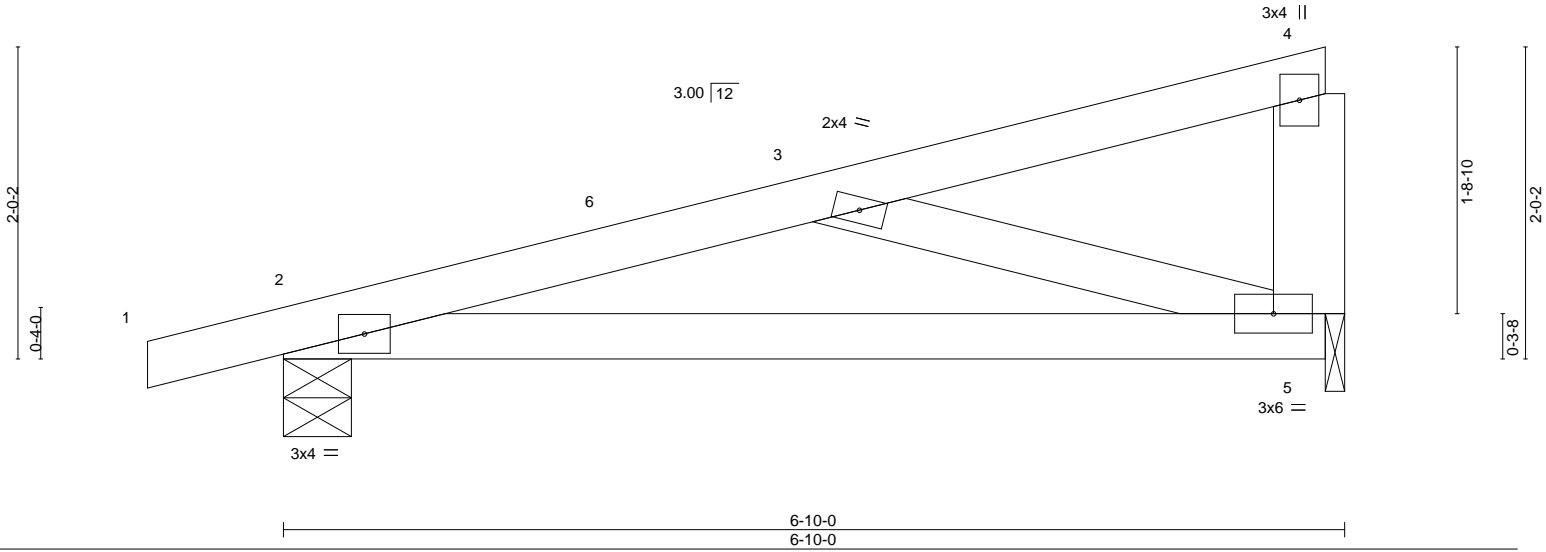
Job	Truss	Truss Type	Qty	Ply	LOT 4 N FARM	I49926398
J0122-0469	M5	MONOPITCH	5	1		

Comtech, Inc., Fayetteville, NC - 28314,

8.430 s Aug 16 2021 MiTek Industries, Inc. Thu Jan 27 09:28:58 2022 Page 1
ID:ayDjLV?s5JTJ6EXpVZkE3PydMqS-m7jcmCWbtVgIFhpVv0c5juGeW2PgzAWO?fg1zrBx3



Scale = 1:14.8



LOADING (psf)	SPACING-	CSI.	DEFL.	in	(loc)	l/defl	L/d	PLATES	GRIP
TCLL 20.0	2-0-0	TC 0.10	Vert(LL)	-0.09	2-5	>878	360	MT20	244/190
TCDL 10.0	Plate Grip DOL 1.15	BC 0.41	Vert(CT)	-0.17	2-5	>439	240		
BCLL 0.0 *	Lumber DOL 1.15	WB 0.07	Horz(CT)	0.00	5	n/a	n/a		
BCDL 10.0	Rep Stress Incr YES	Matrix-P	Wind(LL)	0.00	2	****	240		
	Code IRC2015/TPI2014							Weight: 30 lb	FT = 20%

LUMBER-	BRACING-
TOP CHORD 2x4 SP No.1	TOP CHORD Structural wood sheathing directly applied or 6-0-0 oc purlins, except end verticals.
BOT CHORD 2x4 SP No.1	BOT CHORD Rigid ceiling directly applied or 10-0-0 oc bracing.
WEBS 2x6 SP No.1 *Except*	
3-5: 2x4 SP No.2	

REACTIONS. (size) 2=0-5-4, 5=0-1-8
 Max Horz 2=64(LC 8)
 Max Uplift 2=-63(LC 8), 5=-33(LC 12)
 Max Grav 2=327(LC 1), 5=250(LC 1)

FORCES. (lb) - Max. Comp./Max. Ten. - All forces 250 (lb) or less except when shown.
 TOP CHORD 2-3=-418/289
 BOT CHORD 2-5=-354/379
 WEBS 3-5=-393/368

- NOTES-**
- 1) Wind: ASCE 7-10; Vult=130mph Vasd=103mph; TCDL=6.0psf; BCDL=6.0psf; h=15ft; Cat. II; Exp C; Enclosed; MWFRS (envelope) and C-C Exterior(2) -0-10-8 to 3-4-14, Interior(1) 3-4-14 to 6-7-4 zone; C-C for members and forces & MWFRS for reactions shown; Lumber DOL=1.60 plate grip DOL=1.60
 - 2) This truss has been designed for a 10.0 psf bottom chord live load nonconcurrent with any other live loads.
 - 3) * This truss has been designed for a live load of 30.0psf on the bottom chord in all areas where a rectangle 3-6-0 tall by 2-0-0 wide will fit between the bottom chord and any other members.
 - 4) Bearing at joint(s) 5 considers parallel to grain value using ANSI/TPI 1 angle to grain formula. Building designer should verify capacity of bearing surface.
 - 5) Provide mechanical connection (by others) of truss to bearing plate at joint(s) 5.
 - 6) Provide mechanical connection (by others) of truss to bearing plate capable of withstanding 100 lb uplift at joint(s) 2, 5.



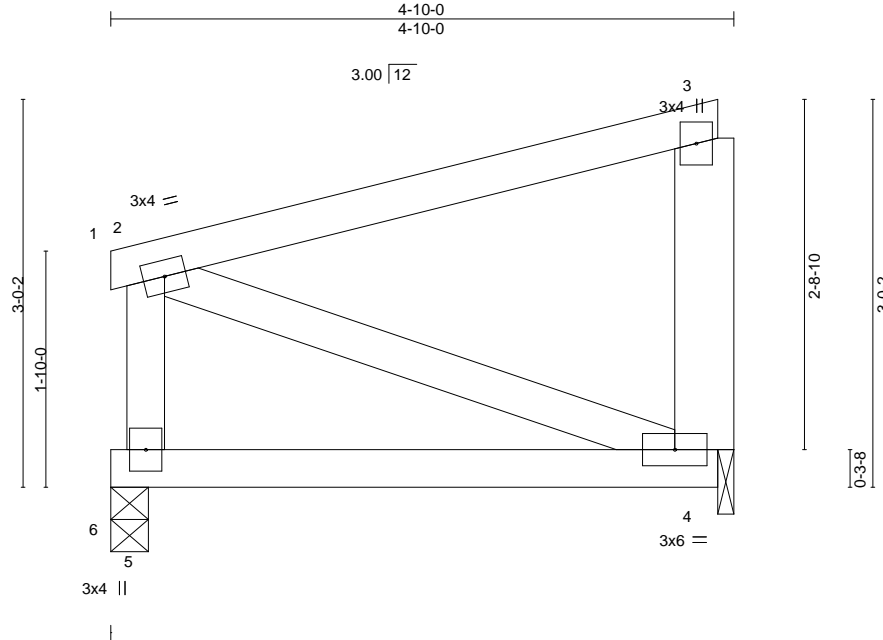
January 27, 2022

Job	Truss	Truss Type	Qty	Ply	LOT 4 N FARM	149926399
J0122-0469	M6	MONOPITCH	3	1	Job Reference (optional)	

Comtech, Inc, Fayetteville, NC - 28314,

8.430 s Aug 16 2021 MiTek Industries, Inc. Thu Jan 27 09:28:59 2022 Page 1

ID:ayDjLV?s5JTJ6EXpVzKE3PymQs-EJH_YXDecdXKPG03dXrewROpvsNPQ3KI2IDCTzrBx2



LOADING (psf)	SPACING-	CSI.	DEFL.	in	(loc)	l/defl	L/d	PLATES	GRIP
TCLL 20.0	Plate Grip DOL 2-0-0	TC 0.26	Vert(LL) -0.02	4-5	>999	360		MT20	244/190
TCDL 10.0	Lumber DOL 1.15	BC 0.17	Vert(CT) -0.04	4-5	>999	240			
BCLL 0.0 *	Rep Stress Incr YES	WB 0.02	Horz(CT) -0.00	4	n/a	n/a			
BCDL 10.0	Code IRC2015/TPI2014	Matrix-P	Wind(LL) 0.00	5	****	240		Weight: 28 lb	FT = 20%

LUMBER-

TOP CHORD 2x4 SP No.1
 BOT CHORD 2x4 SP No.1
 WEBS 2x4 SP No.2 *Except*
 3-4: 2x6 SP No.1

BRACING-

TOP CHORD Structural wood sheathing directly applied or 4-10-0 oc purlins, except end verticals.
 BOT CHORD Rigid ceiling directly applied or 10-0-0 oc bracing.

REACTIONS.

(size) 5=0-3-8, 4=0-1-8
 Max Horz 5=37(LC 8)
 Max Uplift 5=-1(LC 8), 4=-37(LC 8)
 Max Grav 5=185(LC 1), 4=173(LC 1)

FORCES. (lb) - Max. Comp./Max. Ten. - All forces 250 (lb) or less except when shown.

NOTES-

- 1) Wind: ASCE 7-10; Vult=130mph Vasd=103mph; TCDL=6.0psf; BCDL=6.0psf; h=15ft; Cat. II; Exp C; Enclosed; MWFRS (envelope) and C-C Exterior(2) zone;C-C for members and forces & MWFRS for reactions shown; Lumber DOL=1.60 plate grip DOL=1.60
- 2) This truss has been designed for a 10.0 psf bottom chord live load nonconcurrent with any other live loads.
- 3) * This truss has been designed for a live load of 30.0psf on the bottom chord in all areas where a rectangle 3-6-0 tall by 2-0-0 wide will fit between the bottom chord and any other members.
- 4) Bearing at joint(s) 4 considers parallel to grain value using ANSI/TPI 1 angle to grain formula. Building designer should verify capacity of bearing surface.
- 5) Provide mechanical connection (by others) of truss to bearing plate at joint(s) 4.
- 6) Provide mechanical connection (by others) of truss to bearing plate capable of withstanding 100 lb uplift at joint(s) 5, 4.



January 27, 2022

WARNING - Verify design parameters and READ NOTES ON THIS AND INCLUDED MITEK REFERENCE PAGE MII-7473 rev. 5/19/2020 BEFORE USE.

Design valid for use only with MiTek® connectors. This design is based only upon parameters shown, and is for an individual building component, not a truss system. Before use, the building designer must verify the applicability of design parameters and properly incorporate this design into the overall building design. Bracing indicated is to prevent buckling of individual truss web and/or chord members only. Additional temporary and permanent bracing is always required for stability and to prevent collapse with possible personal injury and property damage. For general guidance regarding the fabrication, storage, delivery, erection and bracing of trusses and truss systems, see

ANSI/TPI1 Quality Criteria, DSB-89 and BCSI Building Component

Safety Information available from Truss Plate Institute, 2670 Crain Highway, Suite 203 Waldorf, MD 20601



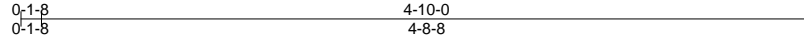
818 Soundside Road
 Edenton, NC 27932

Job	Truss	Truss Type	Qty	Ply	LOT 4 N FARM	149926400
J0122-0469	M7	MONOPITCH	2	1	Job Reference (optional)	

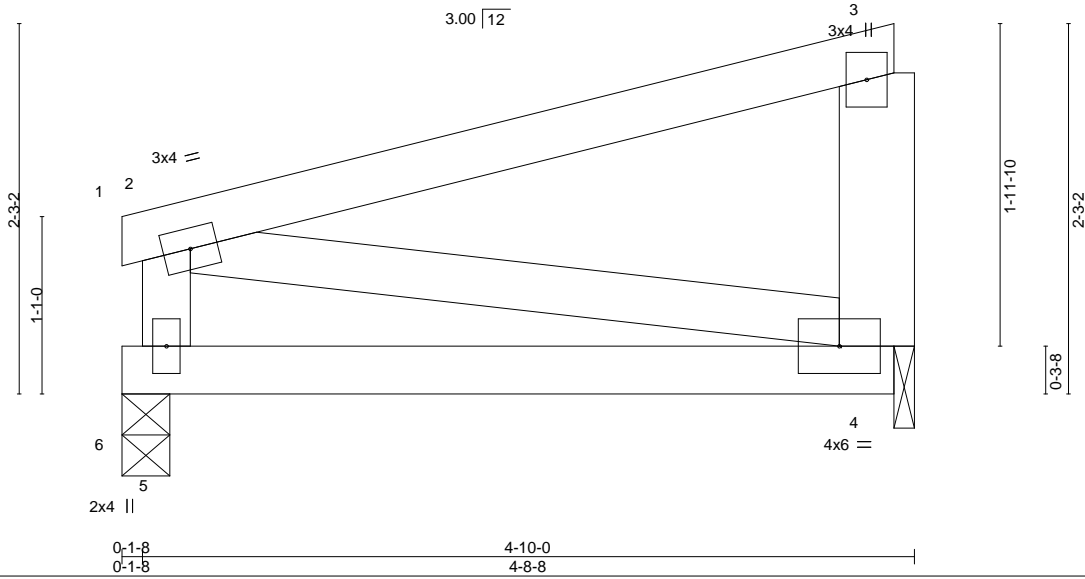
Comtech, Inc., Fayetteville, NC - 28314,

8.430 s Aug 16 2021 MiTek Industries, Inc. Thu Jan 27 09:29:00 2022 Page 1

ID:ayDjLV?s5JTJ6EXpVZkE3PydMqS-iVrMBuYrOvIOyZrCdK24B8_YZJoc8tET_iUmkwzrBx1



Scale = 1:14.1



LOADING (psf)	SPACING-	CSI.	DEFL.	in	(loc)	l/defl	L/d	PLATES	GRIP
TCLL 20.0	Plate Grip DOL 2-0-0	TC 0.26	Vert(LL) -0.02	4-5	>999	360		MT20	244/190
TCDL 10.0	Lumber DOL 1.15	BC 0.17	Vert(CT) -0.04	4-5	>999	240			
BCLL 0.0 *	Rep Stress Incr YES	WB 0.02	Horz(CT) -0.00	4	n/a	n/a			
BCDL 10.0	Code IRC2015/TPI2014	Matrix-P	Wind(LL) 0.00	5	****	240		Weight: 25 lb	FT = 20%

LUMBER-

TOP CHORD 2x4 SP No.1
 BOT CHORD 2x4 SP No.1
 WEBS 2x4 SP No.2 *Except*
 3-4: 2x6 SP No.1

BRACING-

TOP CHORD Structural wood sheathing directly applied or 4-10-0 oc purlins, except end verticals.
 BOT CHORD Rigid ceiling directly applied or 10-0-0 oc bracing.

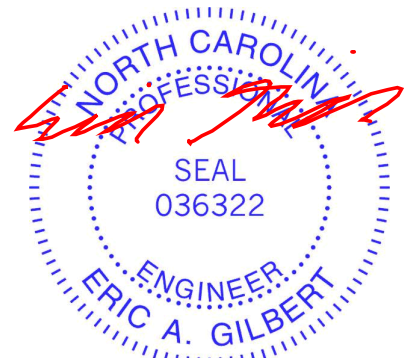
REACTIONS.

(size) 5=0-3-8, 4=0-1-8
 Max Horz 5=37(LC 8)
 Max Uplift 5=-7(LC 8), 4=-30(LC 8)
 Max Grav 5=185(LC 1), 4=173(LC 1)

FORCES. (lb) - Max. Comp./Max. Ten. - All forces 250 (lb) or less except when shown.

NOTES-

- 1) Wind: ASCE 7-10; Vult=130mph Vasd=103mph; TCDL=6.0psf; BCDL=6.0psf; h=15ft; Cat. II; Exp C; Enclosed; MWFRS (envelope) and C-C Exterior(2) zone;C-C for members and forces & MWFRS for reactions shown; Lumber DOL=1.60 plate grip DOL=1.60
- 2) This truss has been designed for a 10.0 psf bottom chord live load nonconcurrent with any other live loads.
- 3) * This truss has been designed for a live load of 30.0psf on the bottom chord in all areas where a rectangle 3-6-0 tall by 2-0-0 wide will fit between the bottom chord and any other members.
- 4) Bearing at joint(s) 4 considers parallel to grain value using ANSI/TPI 1 angle to grain formula. Building designer should verify capacity of bearing surface.
- 5) Provide mechanical connection (by others) of truss to bearing plate at joint(s) 4.
- 6) Provide mechanical connection (by others) of truss to bearing plate capable of withstanding 100 lb uplift at joint(s) 5, 4.



January 27, 2022

WARNING - Verify design parameters and READ NOTES ON THIS AND INCLUDED MITEK REFERENCE PAGE MII-7473 rev. 5/19/2020 BEFORE USE.

Design valid for use only with MiTek® connectors. This design is based only upon parameters shown, and is for an individual building component, not a truss system. Before use, the building designer must verify the applicability of design parameters and properly incorporate this design into the overall building design. Bracing indicated is to prevent buckling of individual truss web and/or chord members only. Additional temporary and permanent bracing is always required for stability and to prevent collapse with possible personal injury and property damage. For general guidance regarding the fabrication, storage, delivery, erection and bracing of trusses and truss systems, see

ANSI/TPI1 Quality Criteria, DSB-89 and BCSI Building Component

Safety Information available from Truss Plate Institute, 2670 Crain Highway, Suite 203 Waldorf, MD 20601



818 Soundside Road
 Edenton, NC 27932

Job	Truss	Truss Type	Qty	Ply	LOT 4 N FARM	149926401
J0122-0469	P1	MONOPITCH	5	1		

Comtech, Inc., Fayetteville, NC - 28314,

8.430 s Aug 16 2021 MiTek Industries, Inc. Thu Jan 27 09:29:01 2022 Page 1
ID:ayDjLV?s5JTJ6EXpVZkE3PydMqS-AiPkPEZT9DtFZjPOB2aJlWkij7etGHdCMEKHmzrBx0



Scale = 1:20.5

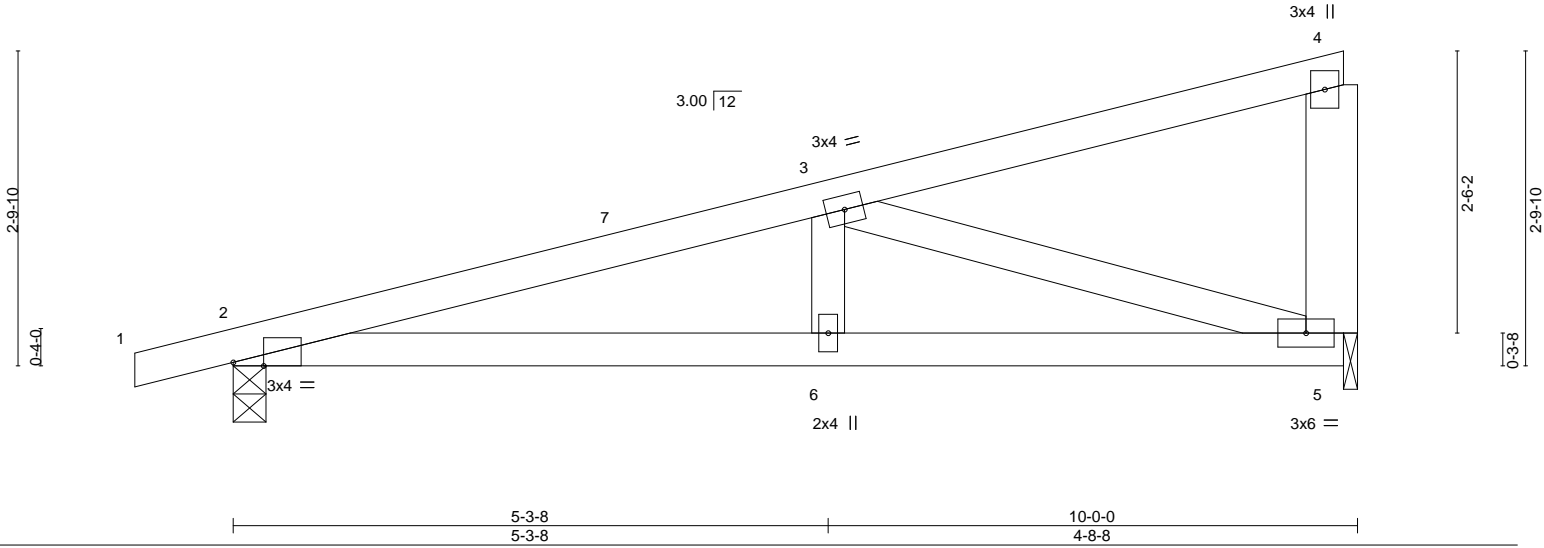


Plate Offsets (X,Y)--	[2:0-3-4,Edge]								
LOADING (psf)	SPACING-	2-0-0	CSI.	DEFL.	in (loc)	l/defl	L/d	PLATES	GRIP
TCLL 20.0	Plate Grip DOL	1.15	TC 0.23	Vert(LL)	0.07	2-6	>999	MT20	244/190
TCDL 10.0	Lumber DOL	1.15	BC 0.24	Vert(CT)	-0.06	2-6	>999		
BCLL 0.0 *	Rep Stress Incr	YES	WB 0.29	Horz(CT)	-0.01	5	n/a		
BCDL 10.0	Code IRC2015/TPI2014		Matrix-S					Weight: 44 lb	FT = 20%

LUMBER-

TOP CHORD 2x4 SP No.1
 BOT CHORD 2x4 SP No.1
 WEBS 2x4 SP No.2 *Except*
 4-5: 2x6 SP No.1

BRACING-

TOP CHORD Structural wood sheathing directly applied or 6-0-0 oc purlins, except end verticals.
 BOT CHORD Rigid ceiling directly applied or 6-4-15 oc bracing.

REACTIONS.

(size) 2=0-3-8, 5=0-1-8
 Max Horz 2=90(LC 8)
 Max Uplift 2=-177(LC 8), 5=-157(LC 8)
 Max Grav 2=449(LC 1), 5=382(LC 1)

FORCES. (lb) - Max. Comp./Max. Ten. - All forces 250 (lb) or less except when shown.

TOP CHORD 2-3=-847/825
 BOT CHORD 2-6=-888/784, 5-6=-888/784
 WEBS 3-6=-272/217, 3-5=-789/887

NOTES-

- 1) Wind: ASCE 7-10; Vult=130mph Vasd=103mph; TCDL=6.0psf; BCDL=6.0psf; h=15ft; Cat. II; Exp C; Enclosed; MWFRS (envelope) and C-C Exterior(2) -0-10-8 to 3-6-5, Interior(1) 3-6-5 to 9-9-4 zone; porch left and right exposed;C-C for members and forces & MWFRS for reactions shown; Lumber DOL=1.60 plate grip DOL=1.60
- 2) This truss has been designed for a 10.0 psf bottom chord live load nonconcurrent with any other live loads.
- 3) * This truss has been designed for a live load of 30.0psf on the bottom chord in all areas where a rectangle 3-6-0 tall by 2-0-0 wide will fit between the bottom chord and any other members.
- 4) Bearing at joint(s) 5 considers parallel to grain value using ANSI/TPI 1 angle to grain formula. Building designer should verify capacity of bearing surface.
- 5) Provide mechanical connection (by others) of truss to bearing plate at joint(s) 5.
- 6) Provide mechanical connection (by others) of truss to bearing plate capable of withstanding 100 lb uplift at joint(s) except (jt=lb) 2=177, 5=157.



January 27, 2022

WARNING - Verify design parameters and READ NOTES ON THIS AND INCLUDED MITEK REFERENCE PAGE MII-7473 rev. 5/19/2020 BEFORE USE.

Design valid for use only with MiTek® connectors. This design is based only upon parameters shown, and is for an individual building component, not a truss system. Before use, the building designer must verify the applicability of design parameters and properly incorporate this design into the overall building design. Bracing indicated is to prevent buckling of individual truss web and/or chord members only. Additional temporary and permanent bracing is always required for stability and to prevent collapse with possible personal injury and property damage. For general guidance regarding the fabrication, storage, delivery, erection and bracing of trusses and truss systems, see

ANSI/TPI1 Quality Criteria, DSB-89 and BCSI Building Component

Safety Information available from Truss Plate Institute, 2670 Crain Highway, Suite 203 Waldorf, MD 20601



818 Soundside Road
 Edenton, NC 27932

Job	Truss	Truss Type	Qty	Ply	LOT 4 N FARM	149926402
J0122-0469	P1GE	GABLE	2	1		

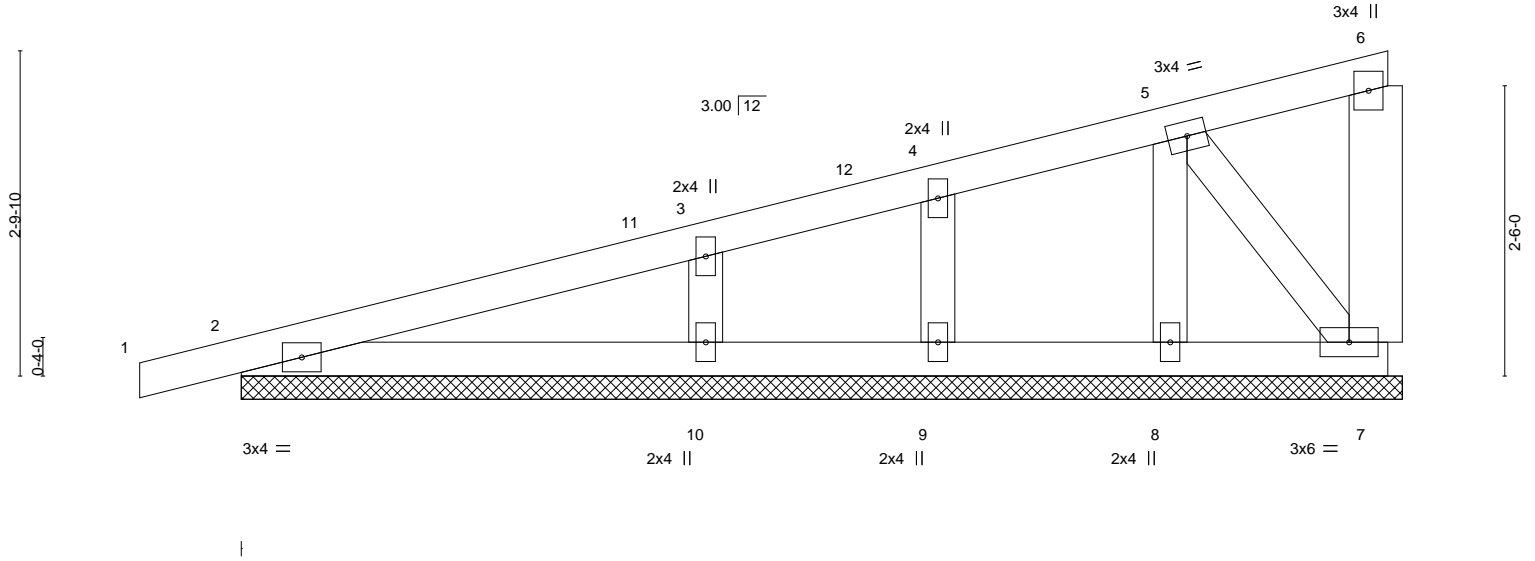
Comtech, Inc., Fayetteville, NC - 28314,

8.430 s Aug 16 2021 MiTek Industries, Inc. Thu Jan 27 09:29:02 2022 Page 1

ID:rayDjLV?s5JTJ6EXpVZkE3PymQs-euz6caZ5wX?6Bt_bkI5YGZ3xD7VLcnKmR0ztpozrBx?



Scale = 1:19.8



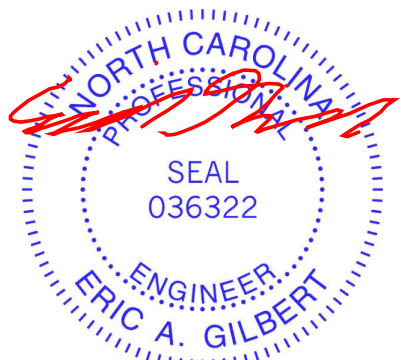
LOADING (psf)	SPACING-	2-0-0	CSI.	DEFL.	in	(loc)	l/defl	L/d	PLATES	GRIP
TCLL 20.0	Plate Grip DOL	1.15	TC 0.12	Vert(LL)	-0.00	1	n/r	120	MT20	244/190
TCDL 10.0	Lumber DOL	1.15	BC 0.09	Vert(CT)	0.00	1	n/r	120		
BCLL 0.0 *	Rep Stress Incr	YES	WB 0.05	Horz(CT)	-0.00	7	n/a	n/a		
BCDL 10.0	Code	IRC2015/TPI2014	Matrix-S						Weight: 45 lb	FT = 20%

LUMBER-	BRACING-
TOP CHORD 2x4 SP No.1	TOP CHORD Structural wood sheathing directly applied or 6-0-0 oc purlins, except end verticals.
BOT CHORD 2x4 SP No.1	BOT CHORD Rigid ceiling directly applied or 10-0-0 oc bracing.
WEBS 2x6 SP No.1 *Except* 5-7: 2x4 SP No.2	
OTHERS 2x4 SP No.2	

REACTIONS. All bearings 10-0-0.
 (lb) - Max Horz 2=127(LC 8)
 Max Uplift All uplift 100 lb or less at joint(s) 7, 2, 9, 8 except 10=100(LC 12)
 Max Grav All reactions 250 lb or less at joint(s) 7, 2, 9, 8 except 10=315(LC 1)

FORCES. (lb) - Max. Comp./Max. Ten. - All forces 250 (lb) or less except when shown.
 WEBS 3-10=225/263

- NOTES-**
- 1) Wind: ASCE 7-10; Vult=130mph Vasd=103mph; TCDL=6.0psf; BCDL=6.0psf; h=15ft; Cat. II; Exp C; Enclosed; MWFRS (envelope) gable end zone and C-C Corner(3) -0-10-8 to 3-6-5, Exterior(2) 3-6-5 to 9-9-4 zone; C-C for members and forces & MWFRS for reactions shown; Lumber DOL=1.60 plate grip DOL=1.60
 - 2) Truss designed for wind loads in the plane of the truss only. For studs exposed to wind (normal to the face), see Standard Industry Gable End Details as applicable, or consult qualified building designer as per ANSI/TPI 1.
 - 3) Gable requires continuous bottom chord bearing.
 - 4) Gable studs spaced at 2-0-0 oc.
 - 5) This truss has been designed for a 10.0 psf bottom chord live load nonconcurrent with any other live loads.
 - 6) * This truss has been designed for a live load of 30.0psf on the bottom chord in all areas where a rectangle 3-6-0 tall by 2-0-0 wide will fit between the bottom chord and any other members.
 - 7) Provide mechanical connection (by others) of truss to bearing plate capable of withstanding 100 lb uplift at joint(s) 7, 2, 9, 8 except (jt=lb) 10=100.

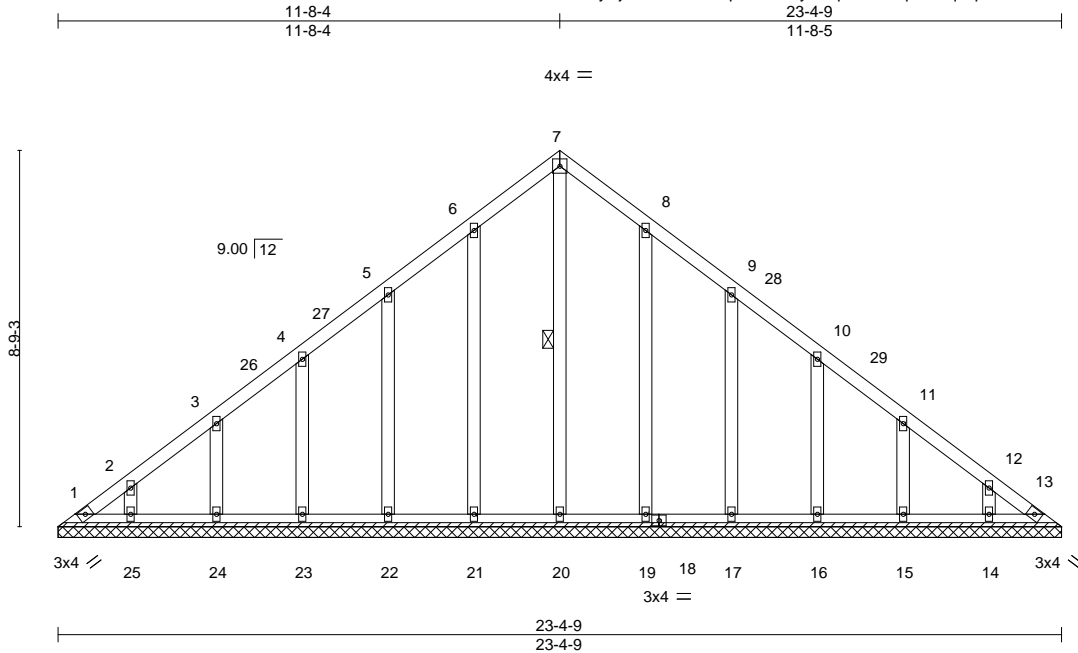


January 27, 2022

Job	Truss	Truss Type	Qty	Ply	LOT 4 N FARM	149926403
J0122-0469	VB1	GABLE	1	1	Job Reference (optional)	

Comtech, Inc, Fayetteville, NC - 28314,

8.430 s Aug 16 2021 MiTek Industries, Inc. Thu Jan 27 09:29:03 2022 Page 1
ID:ayDjLV?s5JTJ6EXpVZkE3PydMqS-64XUqwakhq7zp0ZnIScnomc7DXrVLDLwggjQLFzrBx_



Scale = 1:53.7

Plate Offsets (X,Y)-- [8:0-0-0,0-0-0], [9:0-0-0,0-0-0], [10:0-0-0,0-0-0], [11:0-0-0,0-0-0], [12:0-0-0,0-0-0]

LOADING (psf)	SPACING-	CSI.	DEFL.	in (loc)	l/defl	L/d	PLATES	GRIP
TCLL 20.0	Plate Grip DOL 1.15	TC 0.04	Vert(LL) n/a	-	n/a	999	MT20	244/190
TCDL 10.0	Lumber DOL 1.15	BC 0.03	Vert(CT) n/a	-	n/a	999		
BCLL 0.0 *	Rep Stress Incr YES	WB 0.13	Horz(CT) 0.01	13	n/a	n/a		
BCDL 10.0	Code IRC2015/TPI2014	Matrix-S					Weight: 144 lb	FT = 20%

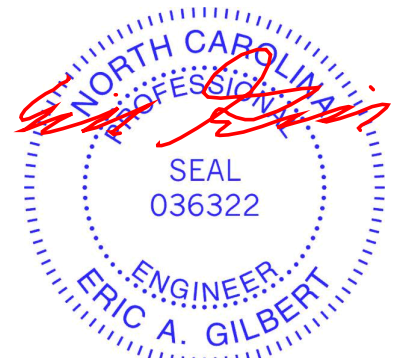
LUMBER-
TOP CHORD 2x4 SP No.1
BOT CHORD 2x4 SP No.1
OTHERS 2x4 SP No.2

BRACING-
TOP CHORD Structural wood sheathing directly applied or 6-0-0 oc purlins.
BOT CHORD Rigid ceiling directly applied or 10-0-0 oc bracing.
WEBS 1 Row at midpt 7-20

REACTIONS. All bearings 23-4-9.
(lb) - Max Horz 1=-253(LC 8)
Max Uplift All uplift 100 lb or less at joint(s) 1, 13, 21, 23, 25, 19, 16, 14 except 22=-101(LC 12), 24=-101(LC 12), 17=-103(LC 13), 15=-101(LC 13)
Max Grav All reactions 250 lb or less at joint(s) 1, 13, 20, 21, 22, 23, 24, 25, 19, 17, 16, 15, 14

FORCES. (lb) - Max. Comp./Max. Ten. - All forces 250 (lb) or less except when shown.
TOP CHORD 1-2=-289/203

- NOTES-**
- Unbalanced roof live loads have been considered for this design.
 - Wind: ASCE 7-10; Vult=130mph Vasd=103mph; TCDL=6.0psf; BCDL=6.0psf; h=15ft; Cat. II; Exp C; Enclosed; MWFRS (envelope) gable end zone and C-C Exterior(2) 0-5-4 to 4-10-1, Interior(1) 4-10-1 to 11-8-4, Exterior(2) 11-8-4 to 16-1-1, Interior(1) 16-1-1 to 22-11-5 zone; C-C for members and forces & MWFRS for reactions shown; Lumber DOL=1.60 plate grip DOL=1.60
 - All plates are 2x4 MT20 unless otherwise indicated.
 - Gable requires continuous bottom chord bearing.
 - This truss has been designed for a 10.0 psf bottom chord live load nonconcurrent with any other live loads.
 - * This truss has been designed for a live load of 30.0psf on the bottom chord in all areas where a rectangle 3-6-0 tall by 2-0-0 wide will fit between the bottom chord and any other members.
 - Provide mechanical connection (by others) of truss to bearing plate capable of withstanding 100 lb uplift at joint(s) 1, 13, 21, 23, 25, 19, 16, 14 except (jt=lb) 22=101, 24=101, 17=103, 15=101.



January 27, 2022

WARNING - Verify design parameters and READ NOTES ON THIS AND INCLUDED MITEK REFERENCE PAGE MII-7473 rev. 5/19/2020 BEFORE USE.

Design valid for use only with MiTek® connectors. This design is based only upon parameters shown, and is for an individual building component, not a truss system. Before use, the building designer must verify the applicability of design parameters and properly incorporate this design into the overall building design. Bracing indicated is to prevent buckling of individual truss web and/or chord members only. Additional temporary and permanent bracing is always required for stability and to prevent collapse with possible personal injury and property damage. For general guidance regarding the fabrication, storage, delivery, erection and bracing of trusses and truss systems, see

ANSI/TPI1 Quality Criteria, DSB-89 and BCSI Building Component

Safety Information available from Truss Plate Institute, 2670 Crain Highway, Suite 203 Waldorf, MD 20601

ENGINEERING BY
TRENCO
A MiTek Affiliate

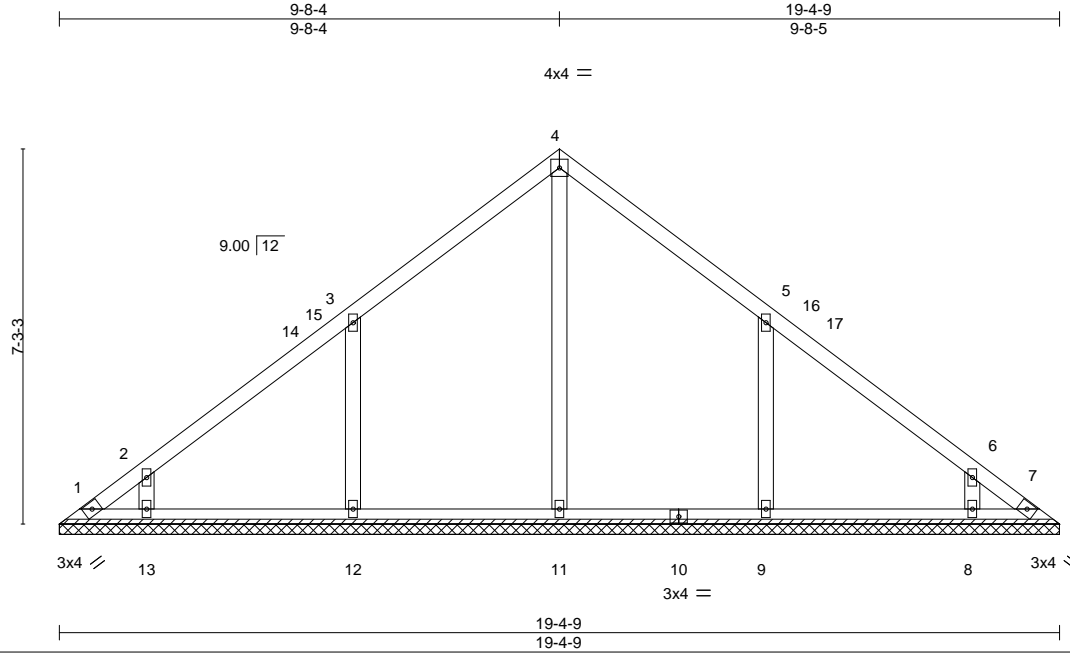
818 Soundside Road
Edenton, NC 27932

Job	Truss	Truss Type	Qty	Ply	LOT 4 N FARM	149926404
J0122-0469	VB2	VALLEY	1	1		

Comtech, Inc., Fayetteville, NC - 28314,

8.430 s Aug 16 2021 MiTek Industries, Inc. Thu Jan 27 09:29:04 2022 Page 1

ID:ayDjLV?s5JTJ6EXpVZKE3PydMqS-aH5t1FbMS8FpQA8zsA70L_8GBw9E4fT3vKS_shzrBwz



Scale = 1:44.6

Plate Offsets (X,Y)-- [5:0-0-0,0-0-0], [6:0-0-0,0-0-0]

LOADING (psf)	SPACING-	CSI.	DEFL.	in (loc)	l/defl	L/d	PLATES	GRIP
TCLL 20.0	2-0-0	TC 0.16	Vert(LL)	n/a	-	n/a	MT20	244/190
TCDL 10.0	Plate Grip DOL 1.15	BC 0.19	Vert(CT)	n/a	-	n/a		
BCLL 0.0 *	Lumber DOL 1.15	WB 0.13	Horz(CT)	0.00	7	n/a		
BCDL 10.0	Rep Stress Incr YES	Matrix-S					Weight: 86 lb	FT = 20%
	Code IRC2015/TPI2014							

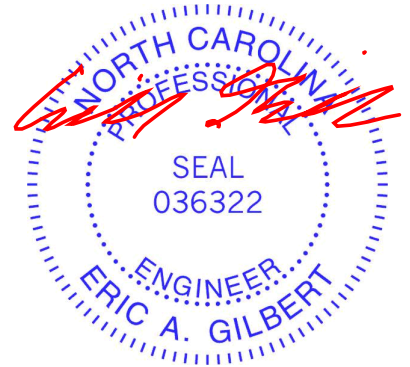
LUMBER-
 TOP CHORD 2x4 SP No.1
 BOT CHORD 2x4 SP No.1
 OTHERS 2x4 SP No.2

BRACING-
 TOP CHORD Structural wood sheathing directly applied or 6-0-0 oc purlins.
 BOT CHORD Rigid ceiling directly applied or 10-0-0 oc bracing.

REACTIONS. All bearings 19-4-9.
 (lb) - Max Horz 1=166(LC 8)
 Max Uplift All uplift 100 lb or less at joint(s) 1, 7, 13, 8 except 12=122(LC 12), 9=122(LC 13)
 Max Grav All reactions 250 lb or less at joint(s) 1, 7 except 11=437(LC 22), 12=468(LC 19), 13=265(LC 19), 9=468(LC 20), 8=265(LC 20)

FORCES. (lb) - Max. Comp./Max. Ten. - All forces 250 (lb) or less except when shown.
 WEBS 3-12=337/231, 2-13=257/198, 5-9=337/231, 6-8=257/197

- NOTES-**
- Unbalanced roof live loads have been considered for this design.
 - Wind: ASCE 7-10; Vult=130mph Vasd=103mph; TCCL=6.0psf; BCDL=6.0psf; h=15ft; Cat. II; Exp C; Enclosed; MWFRS (envelope) and C-C Exterior(2) 0-5-4 to 4-10-1, Interior(1) 4-10-1 to 9-8-4, Exterior(2) 9-8-4 to 14-1-1, Interior(1) 14-1-1 to 18-11-5 zone; C-C for members and forces & MWFRS for reactions shown; Lumber DOL=1.60 plate grip DOL=1.60
 - All plates are 2x4 MT20 unless otherwise indicated.
 - This truss has been designed for a 10.0 psf bottom chord live load nonconcurrent with any other live loads.
 - * This truss has been designed for a live load of 30.0psf on the bottom chord in all areas where a rectangle 3-6-0 tall by 2-0-0 wide will fit between the bottom chord and any other members, with BCDL = 10.0psf.
 - Provide mechanical connection (by others) of truss to bearing plate capable of withstanding 100 lb uplift at joint(s) 1, 7, 13, 8 except (jt=lb) 12=122, 9=122.
 - Non Standard bearing condition. Review required.



January 27, 2022

WARNING - Verify design parameters and READ NOTES ON THIS AND INCLUDED MITEK REFERENCE PAGE MII-7473 rev. 5/19/2020 BEFORE USE.
 Design valid for use only with MiTek® connectors. This design is based only upon parameters shown, and is for an individual building component, not a truss system. Before use, the building designer must verify the applicability of design parameters and properly incorporate this design into the overall building design. Bracing indicated is to prevent buckling of individual truss web and/or chord members only. Additional temporary and permanent bracing is always required for stability and to prevent collapse with possible personal injury and property damage. For general guidance regarding the fabrication, storage, delivery, erection and bracing of trusses and truss systems, see **ANSI/TPI1 Quality Criteria, DSB-89 and BCSI Building Component Safety Information** available from Truss Plate Institute, 2670 Crain Highway, Suite 203 Waldorf, MD 20601



818 Soundside Road
 Edenton, NC 27932

Job	Truss	Truss Type	Qty	Ply	LOT 4 N FARM	149926405
J0122-0469	VB3	VALLEY	1	1		

Comtech, Inc, Fayetteville, NC - 28314,

8.430 s Aug 16 2021 MiTek Industries, Inc. Thu Jan 27 09:29:05 2022 Page 1
 ID:ayDjLV?s5JTJ6EXpVZkE3PydMqS-2TeFFbc_DSNg2Kj9QteFuBhR6KVDP7UC7_CXP7zrBwy
 15-4-9
 7-8-5

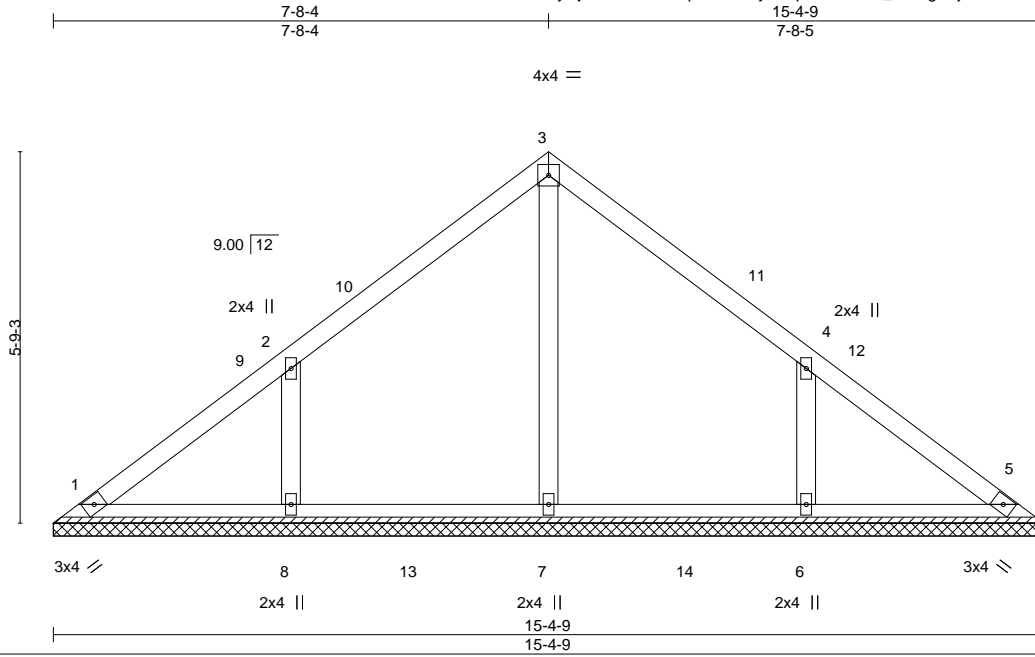


Plate Offsets (X,Y)-- [4:0-0-0,0-0-0]

LOADING (psf)	SPACING-	2-0-0	CSI.	DEFL.	in (loc)	l/defl	L/d	PLATES	GRIP
TCLL 20.0	Plate Grip DOL	1.15	TC 0.15	Vert(LL)	n/a	-	n/a	MT20	244/190
TCDL 10.0	Lumber DOL	1.15	BC 0.14	Vert(CT)	n/a	-	n/a		
BCLL 0.0 *	Rep Stress Incr	YES	WB 0.08	Horz(CT)	0.00	5	n/a		
BCDL 10.0	Code	IRC2015/TPI2014	Matrix-S					Weight: 64 lb	FT = 20%

LUMBER-

TOP CHORD 2x4 SP No.1
 BOT CHORD 2x4 SP No.1
 OTHERS 2x4 SP No.2

BRACING-

TOP CHORD Structural wood sheathing directly applied or 6-0-0 oc purlins.
 BOT CHORD Rigid ceiling directly applied or 10-0-0 oc bracing.

REACTIONS.

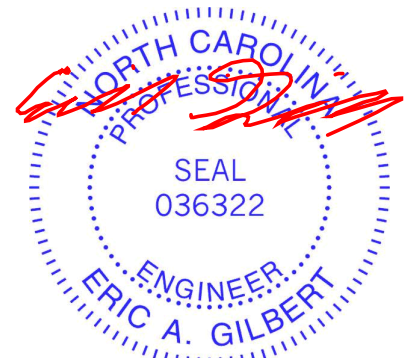
All bearings 15-4-9.
 (lb) - Max Horz 1=130(LC 8)
 Max Uplift All uplift 100 lb or less at joint(s) 1 except 8=121(LC 12), 6=120(LC 13)
 Max Grav All reactions 250 lb or less at joint(s) 1, 5 except 7=394(LC 19), 8=391(LC 19), 6=391(LC 20)

FORCES. (lb) - Max. Comp./Max. Ten. - All forces 250 (lb) or less except when shown.

WEBS 2-8=-327/227, 4-6=-327/227

NOTES-

- Unbalanced roof live loads have been considered for this design.
- Wind: ASCE 7-10; Vult=130mph Vasd=103mph; TCDL=6.0psf; BCDL=6.0psf; h=15ft; Cat. II; Exp C; Enclosed; MWFRS (envelope) and C-C Exterior(2) 0-5-4 to 4-10-1, Interior(1) 4-10-1 to 7-8-4, Exterior(2) 7-8-4 to 12-1-1, Interior(1) 12-1-1 to 14-11-5 zone; C-C for members and forces & MWFRS for reactions shown; Lumber DOL=1.60 plate grip DOL=1.60
- This truss has been designed for a 10.0 psf bottom chord live load nonconcurrent with any other live loads.
- * This truss has been designed for a live load of 30.0psf on the bottom chord in all areas where a rectangle 3-6-0 tall by 2-0-0 wide will fit between the bottom chord and any other members, with BCDL = 10.0psf.
- Provide mechanical connection (by others) of truss to bearing plate capable of withstanding 100 lb uplift at joint(s) 1 except (jt=lb) 8=121, 6=120.
- Non Standard bearing condition. Review required.



January 27, 2022

WARNING - Verify design parameters and READ NOTES ON THIS AND INCLUDED MITEK REFERENCE PAGE MII-7473 rev. 5/19/2020 BEFORE USE.

Design valid for use only with MiTek® connectors. This design is based only upon parameters shown, and is for an individual building component, not a truss system. Before use, the building designer must verify the applicability of design parameters and properly incorporate this design into the overall building design. Bracing indicated is to prevent buckling of individual truss web and/or chord members only. Additional temporary and permanent bracing is always required for stability and to prevent collapse with possible personal injury and property damage. For general guidance regarding the fabrication, storage, delivery, erection and bracing of trusses and truss systems, see

ANSI/TPI1 Quality Criteria, DSB-89 and BCSI Building Component

Safety Information available from Truss Plate Institute, 2670 Crain Highway, Suite 203 Waldorf, MD 20601

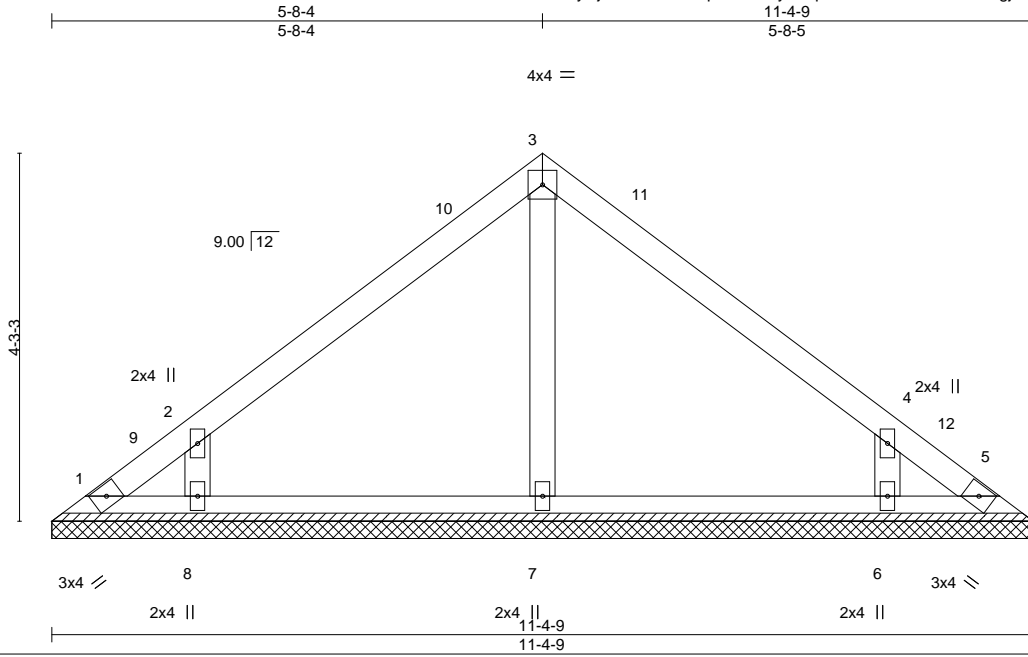


818 Soundside Road
 Edenton, NC 27932

Job	Truss	Truss Type	Qty	Ply	LOT 4 N FARM	149926406
J0122-0469	VB4	VALLEY	1	1	Job Reference (optional)	

Comtech, Inc. Fayetteville, NC - 28314,

8.430 s Aug 16 2021 MiTek Industries, Inc. Thu Jan 27 09:29:07 2022 Page 1
ID:ayDjLV?s5JTJ6EXpVZKE3PydMqS-?rm?fHdEl3dOHetYXlgjzcmnr8CSH2aVbHheT0zrBww



Scale = 1:26.7

Plate Offsets (X,Y)-- [4:0-0-0,0-0-0]

LOADING (psf)	SPACING-	2-0-0	CSI.	DEFL.	in (loc)	l/defl	L/d	PLATES	GRIP
TCLL 20.0	Plate Grip DOL	1.15	TC 0.13	Vert(LL)	n/a	-	n/a	MT20	244/190
TCDL 10.0	Lumber DOL	1.15	BC 0.09	Vert(CT)	n/a	-	n/a		
BCLL 0.0 *	Rep Stress Incr	YES	WB 0.05	Horz(CT)	0.00	5	n/a		
BCDL 10.0	Code	IRC2015/TPI2014	Matrix-S					Weight: 44 lb	FT = 20%

LUMBER-

TOP CHORD 2x4 SP No.1
BOT CHORD 2x4 SP No.1
OTHERS 2x4 SP No.2

BRACING-

TOP CHORD Structural wood sheathing directly applied or 6'-0-0 oc purlins.
BOT CHORD Rigid ceiling directly applied or 10'-0-0 oc bracing.

REACTIONS.

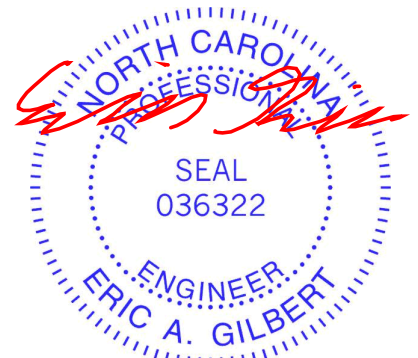
All bearings 11-4-9.
(lb) - Max Horz 1=94(LC 8)
Max Uplift All uplift 100 lb or less at joint(s) 1, 5 except 8=111(LC 12), 6=110(LC 13)
Max Grav All reactions 250 lb or less at joint(s) 1, 5 except 7=252(LC 1), 8=325(LC 19), 6=325(LC 20)

FORCES. (lb) - Max. Comp./Max. Ten. - All forces 250 (lb) or less except when shown.

WEBS 2-8=-306/235, 4-6=-306/235

NOTES-

- Unbalanced roof live loads have been considered for this design.
- Wind: ASCE 7-10; Vult=130mph Vasd=103mph; TCDL=6.0psf; BCDL=6.0psf; h=15ft; Cat. II; Exp C; Enclosed; MWFRS (envelope) and C-C Exterior(2) 0-5-4 to 4-10-1, Interior(1) 4-10-1 to 5-8-4, Exterior(2) 5-8-4 to 10-1-1, Interior(1) 10-1-1 to 10-11-5 zone; C-C for members and forces & MWFRS for reactions shown; Lumber DOL=1.60 plate grip DOL=1.60
- This truss has been designed for a 10.0 psf bottom chord live load nonconcurrent with any other live loads.
- * This truss has been designed for a live load of 30.0psf on the bottom chord in all areas where a rectangle 3'-6-0 tall by 2'-0-0 wide will fit between the bottom chord and any other members.
- Provide mechanical connection (by others) of truss to bearing plate capable of withstanding 100 lb uplift at joint(s) 1, 5 except (jt=lb) 8=111, 6=110.
- Non Standard bearing condition. Review required.



January 27, 2022

WARNING - Verify design parameters and READ NOTES ON THIS AND INCLUDED MITEK REFERENCE PAGE MII-7473 rev. 5/19/2020 BEFORE USE.

Design valid for use only with MiTek® connectors. This design is based only upon parameters shown, and is for an individual building component, not a truss system. Before use, the building designer must verify the applicability of design parameters and properly incorporate this design into the overall building design. Bracing indicated is to prevent buckling of individual truss web and/or chord members only. Additional temporary and permanent bracing is always required for stability and to prevent collapse with possible personal injury and property damage. For general guidance regarding the fabrication, storage, delivery, erection and bracing of trusses and truss systems, see

ANSI/TPI1 Quality Criteria, DSB-89 and BCSI Building Component

Safety Information available from Truss Plate Institute, 2670 Crain Highway, Suite 203 Waldorf, MD 20601



818 Soundside Road
Edenton, NC 27932

Job	Truss	Truss Type	Qty	Ply	LOT 4 N FARM	149926407
J0122-0469	VB5	VALLEY	1	1	Job Reference (optional)	

Comtech, Inc, Fayetteville, NC - 28314,

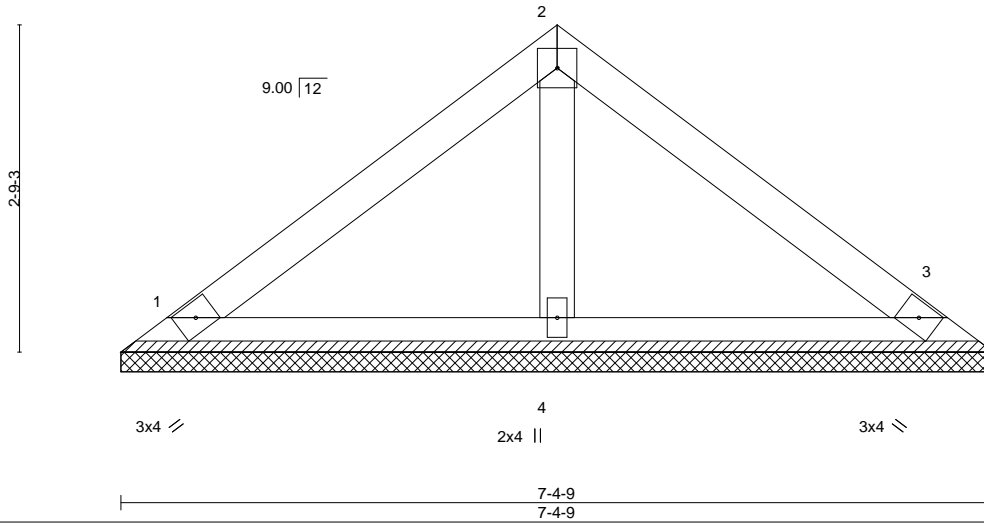
8.430 s Aug 16 2021 MiTek Industries, Inc. Thu Jan 27 09:29:08 2022 Page 1

ID:ayDjLV?s5JTJ6EXpVZkE3PydMqS-T2KNtdesWNIFvoSk50CyVqJyMYys0VCfpxQB?SrzBww



4x4 =

Scale = 1:19.5



LOADING (psf)	SPACING-	2-0-0	CSI.	DEFL.	in	(loc)	l/defl	L/d	PLATES	GRIP
TCLL 20.0	Plate Grip DOL	1.15	TC 0.15	Vert(LL)	n/a	-	n/a	999	MT20	244/190
TCDL 10.0	Lumber DOL	1.15	BC 0.08	Vert(CT)	n/a	-	n/a	999		
BCLL 0.0 *	Rep Stress Incr	YES	WB 0.02	Horz(CT)	0.00	3	n/a	n/a		
BCDL 10.0	Code IRC2015/TPI2014		Matrix-P						Weight: 26 lb	FT = 20%

LUMBER-

TOP CHORD 2x4 SP No.1
 BOT CHORD 2x4 SP No.1
 OTHERS 2x4 SP No.2

BRACING-

TOP CHORD Structural wood sheathing directly applied or 6-0-0 oc purlins.
 BOT CHORD Rigid ceiling directly applied or 10-0-0 oc bracing.

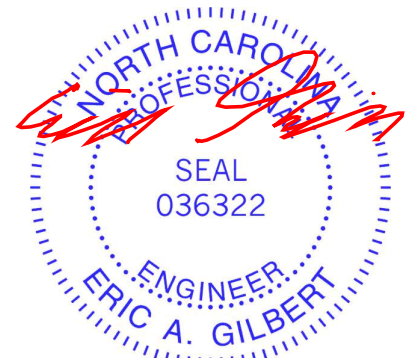
REACTIONS.

(size) 1=7-4-9, 3=7-4-9, 4=7-4-9
 Max Horz 1=58(LC 9)
 Max Uplift 1=-23(LC 12), 3=-28(LC 13)
 Max Grav 1=146(LC 1), 3=146(LC 1), 4=228(LC 1)

FORCES. (lb) - Max. Comp./Max. Ten. - All forces 250 (lb) or less except when shown.

NOTES-

- Unbalanced roof live loads have been considered for this design.
- Wind: ASCE 7-10; Vult=130mph Vasd=103mph; TCDL=6.0psf; BCDL=6.0psf; h=15ft; Cat. II; Exp C; Enclosed; MWFRS (envelope) and C-C Exterior(2) zone;C-C for members and forces & MWFRS for reactions shown; Lumber DOL=1.60 plate grip DOL=1.60
- This truss has been designed for a 10.0 psf bottom chord live load nonconcurrent with any other live loads.
- * This truss has been designed for a live load of 30.0psf on the bottom chord in all areas where a rectangle 3-6-0 tall by 2-0-0 wide will fit between the bottom chord and any other members.
- Provide mechanical connection (by others) of truss to bearing plate capable of withstanding 100 lb uplift at joint(s) 1, 3.
- Non Standard bearing condition. Review required.



January 27, 2022

WARNING - Verify design parameters and READ NOTES ON THIS AND INCLUDED MITEK REFERENCE PAGE MII-7473 rev. 5/19/2020 BEFORE USE.

Design valid for use only with MiTek® connectors. This design is based only upon parameters shown, and is for an individual building component, not a truss system. Before use, the building designer must verify the applicability of design parameters and properly incorporate this design into the overall building design. Bracing indicated is to prevent buckling of individual truss web and/or chord members only. Additional temporary and permanent bracing is always required for stability and to prevent collapse with possible personal injury and property damage. For general guidance regarding the fabrication, storage, delivery, erection and bracing of trusses and truss systems, see **ANSI/TPI1 Quality Criteria, DSB-89 and BCSI Building Component Safety Information** available from Truss Plate Institute, 2670 Crain Highway, Suite 203 Waldorf, MD 20601

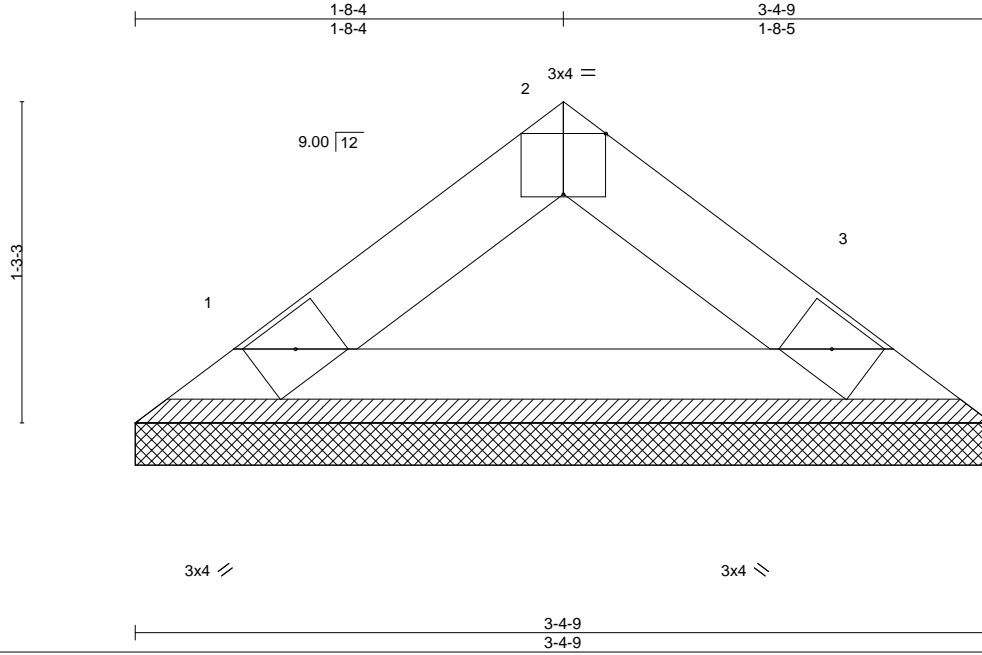


818 Soundside Road
 Edenton, NC 27932

Job	Truss	Truss Type	Qty	Ply	LOT 4 N FARM	149926408
J0122-0469	VB6	VALLEY	1	1		

Comtech, Inc, Fayetteville, NC - 28314,

8.430 s Aug 16 2021 MiTek Industries, Inc. Thu Jan 27 09:29:09 2022 Page 1
 ID:ayDjLV?s5JTJ6EXpVZKE3PydMqS-xEum4zfUHgt6Xx1xfjjB21r93xuUlyno2bAlYuzrBwu



Scale = 1:9.1

Plate Offsets (X,Y)-- [2:0-2:0,Edge]

LOADING (psf)	SPACING-	2-0-0	CSI.	DEFL.	in (loc)	l/defl	L/d	PLATES	GRIP
TCLL 20.0	Plate Grip DOL	1.15	TC 0.02	Vert(LL)	n/a	-	n/a	MT20	244/190
TCDL 10.0	Lumber DOL	1.15	BC 0.05	Vert(CT)	n/a	-	n/a		
BCLL 0.0 *	Rep Stress Incr	YES	WB 0.00	Horz(CT)	0.00	3	n/a		
BCDL 10.0	Code	IRC2015/TPI2014	Matrix-P					Weight: 10 lb	FT = 20%

LUMBER-

TOP CHORD 2x4 SP No.1
 BOT CHORD 2x4 SP No.1

BRACING-

TOP CHORD Structural wood sheathing directly applied or 3-4-9 oc purlins.
 BOT CHORD Rigid ceiling directly applied or 10-0-0 oc bracing.

REACTIONS.

(size) 1=3-4-9, 3=3-4-9
 Max Horz 1=23(LC 11)
 Max Uplift 1=5(LC 12), 3=5(LC 13)
 Max Grav 1=100(LC 1), 3=100(LC 1)

FORCES. (lb) - Max. Comp./Max. Ten. - All forces 250 (lb) or less except when shown.

NOTES-

- Unbalanced roof live loads have been considered for this design.
- Wind: ASCE 7-10; Vult=130mph Vasd=103mph; TCDL=6.0psf; BCDL=6.0psf; h=15ft; Cat. II; Exp C; Enclosed; MWFRS (envelope) and C-C Exterior(2) zone;C-C for members and forces & MWFRS for reactions shown; Lumber DOL=1.60 plate grip DOL=1.60
- This truss has been designed for a 10.0 psf bottom chord live load nonconcurrent with any other live loads.
- * This truss has been designed for a live load of 30.0psf on the bottom chord in all areas where a rectangle 3-6-0 tall by 2-0-0 wide will fit between the bottom chord and any other members.
- Provide mechanical connection (by others) of truss to bearing plate capable of withstanding 100 lb uplift at joint(s) 1, 3.
- Non Standard bearing condition. Review required.



January 27, 2022

WARNING - Verify design parameters and READ NOTES ON THIS AND INCLUDED MITEK REFERENCE PAGE MII-7473 rev. 5/19/2020 BEFORE USE.

Design valid for use only with MiTek® connectors. This design is based only upon parameters shown, and is for an individual building component, not a truss system. Before use, the building designer must verify the applicability of design parameters and properly incorporate this design into the overall building design. Bracing indicated is to prevent buckling of individual truss web and/or chord members only. Additional temporary and permanent bracing is always required for stability and to prevent collapse with possible personal injury and property damage. For general guidance regarding the fabrication, storage, delivery, erection and bracing of trusses and truss systems, see **ANSI/TPI1 Quality Criteria, DSB-89 and BCSI Building Component Safety Information** available from Truss Plate Institute, 2670 Crain Highway, Suite 203 Waldorf, MD 20601



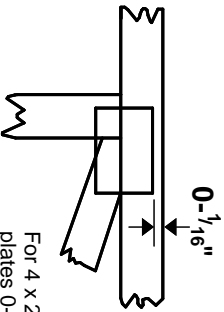
818 Soundside Road
 Edenton, NC 27932

Symbols

PLATE LOCATION AND ORIENTATION



Center plate on joint unless x, y offsets are indicated. Dimensions are in ft-in-sixteenths. Apply plates to both sides of truss and fully embed teeth.



For 4 x 2 orientation, locate plates 0- 1/16" from outside edge of truss.



This symbol indicates the required direction of slots in connector plates.

* Plate location details available in **MITek 20/20 software** or upon request.

PLATE SIZE

4 X 4

The first dimension is the plate width measured perpendicular to slots. Second dimension is the length parallel to slots.

LATERAL BRACING LOCATION



Indicated by symbol shown and/or by text in the bracing section of the output. Use T or I bracing if indicated.

BEARING



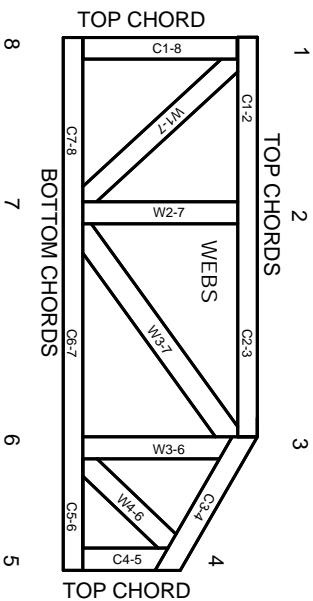
Indicates location where bearings (supports) occur. Icons vary but reaction section indicates joint number where bearings occur. Min size shown is for crushing only.

Industry Standards:

ANSI/TP1: National Design Specification for Metal Plate Connected Wood Truss Construction.
DSB-89: Design Standard for Bracing, Building Component Safety Information, Guide to Good Practice for Handling, Installing & Bracing of Metal Plate Connected Wood Trusses.

Numbering System

6-4-8
dimensions shown in ft-in-sixteenths
(Drawings not to scale)



JOINTS ARE GENERALLY NUMBERED/LETTERED CLOCKWISE AROUND THE TRUSS STARTING AT THE JOINT FARTHEST TO THE LEFT.

CHORDS AND WEBS ARE IDENTIFIED BY END JOINT NUMBERS/LETTERS.

PRODUCT CODE APPROVALS

ICC-ES Reports:

ESR-1311, ESR-1352, ESR1988
ER-3907, ESR-2362, ESR-1397, ESR-3282

Trusses are designed for wind loads in the plane of the truss unless otherwise shown.

Lumber design values are in accordance with ANSI/TP1 section 6.3 These truss designs rely on lumber values established by others.

© 2012 MITteK® All Rights Reserved



MITek Engineering Reference Sheet: MII-7473 rev. 5/19/2020



General Safety Notes

Failure to Follow Could Cause Property Damage or Personal Injury

1. Additional stability bracing for truss system, e.g. diagonal or X-bracing, is always required. See BCSI.
2. Truss bracing must be designed by an engineer. For wide truss spacing, individual lateral braces themselves may require bracing, or alternative Tor I bracing should be considered.
3. Never exceed the design loading shown and never stack materials on inadequately braced trusses.
4. Provide copies of this truss design to the building designer, erection supervisor, property owner and all other interested parties.
5. Cut members to bear tightly against each other.
6. Place plates on each face of truss at each joint and embed fully. Knots and wane at joint locations are regulated by ANSI/TP1 1.
7. Design assumes trusses will be suitably protected from the environment in accord with ANSI/TP1 1.
8. Unless otherwise noted, moisture content of lumber shall not exceed 19% at time of fabrication.
9. Unless expressly noted, this design is not applicable for use with fire retardant, preservative treated, or green lumber.
10. Camber is a non-structural consideration and is the responsibility of truss fabricator. General practice is to camber for dead load deflection.
11. Plate type, size, orientation and location dimensions indicated are minimum plating requirements.
12. Lumber used shall be of the species and size, and in all respects, equal to or better than that specified.
13. Top chords must be sheathed or purlins provided at spacing indicated on design.
14. Bottom chords require lateral bracing at 10 ft. spacing, or less, if no ceiling is installed, unless otherwise noted.
15. Connections not shown are the responsibility of others.
16. Do not cut or alter truss member or plate without prior approval of an engineer.
17. Install and load vertically unless indicated otherwise.
18. Use of green or treated lumber may pose unacceptable environmental, health or performance risks. Consult with project engineer before use.
19. Review all portions of this design (front, back, words and pictures) before use. Reviewing pictures alone is not sufficient.
20. Design assumes manufacture in accordance with ANSI/TP1 1 Quality Criteria.
21. The design does not take into account any dynamic or other loads other than those expressly stated.