

Connector Summary

Qty	Manuf	Product
8	Simpson	IUS2.56/11.88

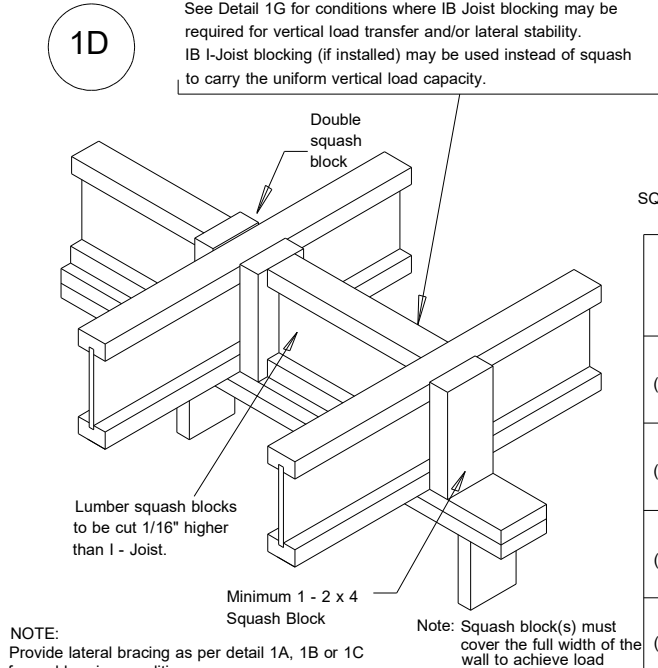
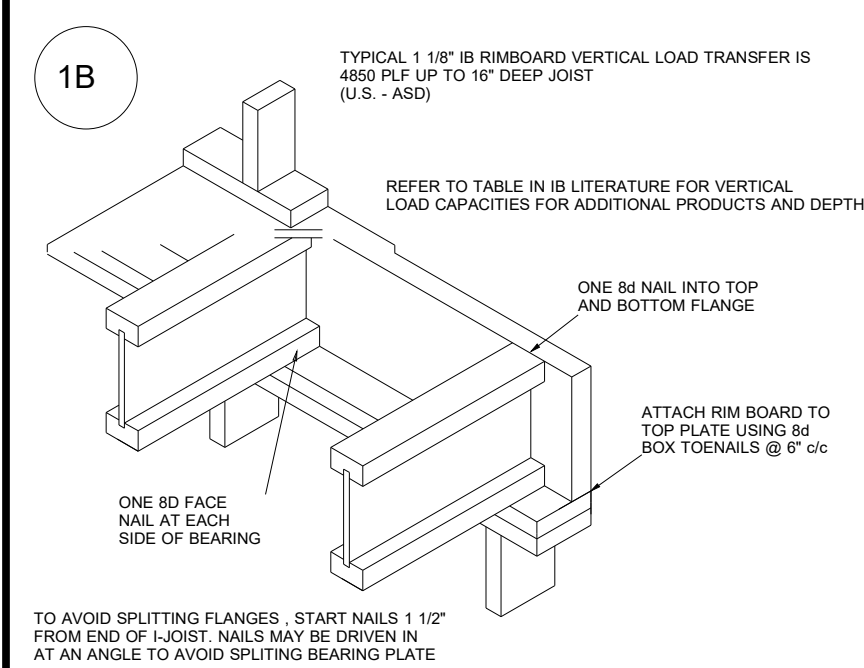
ProdID	Length	Product	Piles	Net Qty	Fab Type
J46	46' 0"	11 7/8" PJI-40		1	MFD
J42	42' 0"	11 7/8" PJI-40		1	MFD
J40	40' 0"	11 7/8" PJI-40		1	MFD
J38	38' 0"	11 7/8" PJI-40		1	MFD
J36	36' 0"	11 7/8" PJI-40		1	MFD
J34	34' 0"	11 7/8" PJI-40		1	MFD
J32	32' 0"	11 7/8" PJI-40		1	MFD
J30	30' 0"	11 7/8" PJI-40		1	MFD
J28	28' 0"	11 7/8" PJI-40		1	MFD
J18	18' 0"	11 7/8" PJI-40		1	MFD
J16	16' 0"	11 7/8" PJI-40		1	MFD
J14	14' 0"	11 7/8" PJI-40		1	MFD
J12	12' 0"	11 7/8" PJI-40		1	MFD
J6	6' 0"	11 7/8" PJI-40		1	MFD
J4	4' 0"	11 7/8" PJI-40		1	MFD
DB5-2	28' 0"	2.0 RigidLam DF LVL 1-3/4 x 9-1/4	2	2	FF
DB3-2	28' 0"	2.0 RigidLam DF LVL 1-3/4 x 9-1/4	2	2	FF
DB1-2	22' 0"	2.0 RigidLam DF LVL 1-3/4 x 9-1/4	2	2	FF
DB4-2	22' 0"	2.0 RigidLam DF LVL 1-3/4 x 9-1/4	2	2	FF
DB2-2	18' 0"	2.0 RigidLam DF LVL 1-3/4 x 9-1/4	2	2	FF
DB6-2	4' 0"	2.0 RigidLam DF LVL 1-3/4 x 9-1/4	2	2	FF
FB9-2	16' 0"	2.0 RigidLam DF LVL 1-3/4 x 11-7/8	2	2	FF
FB15	4' 0"	2.0 RigidLam DF LVL 1-3/4 x 11-7/8	1	1	FF
FB7	4' 0"	2.0 RigidLam DF LVL 1-3/4 x 11-7/8	1	1	FF
RIM	12' 0"	1 1/8" x 11 7/8" APA Rim Board	1	21	FF
BP	2' 0"	11 7/8" PJI-40	1	39	FF

BLOCK SOLID UNDER ALL POST /POINT LOADS FROM ABOVE - TYPICAL AT ALL LOCATIONS

# 1st Floor I-Joist

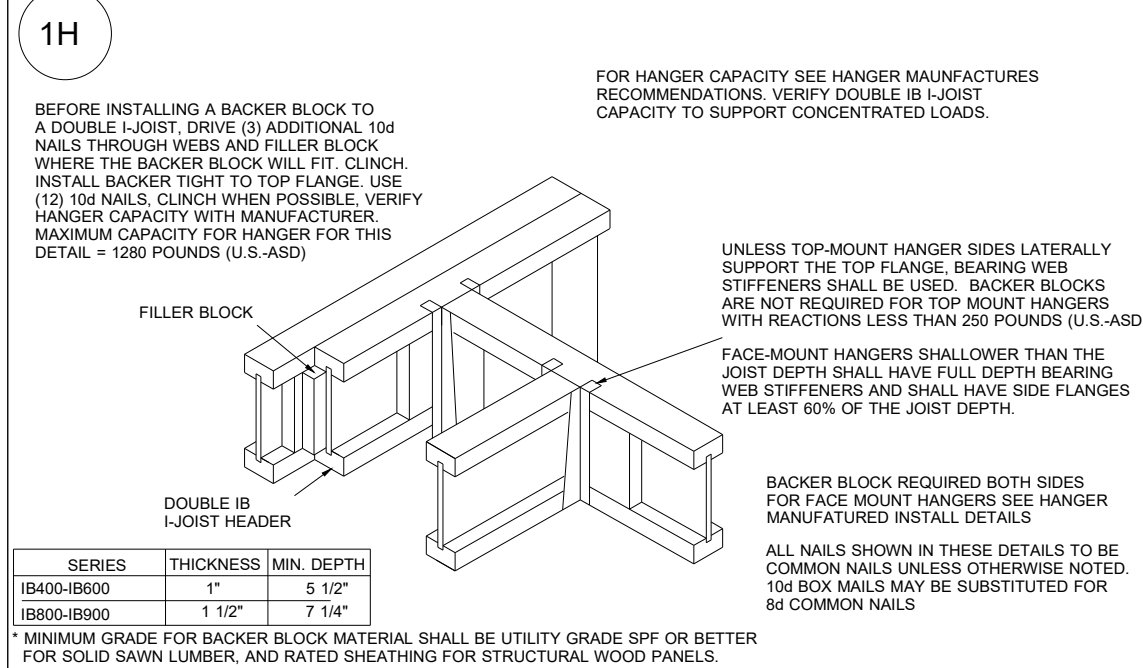
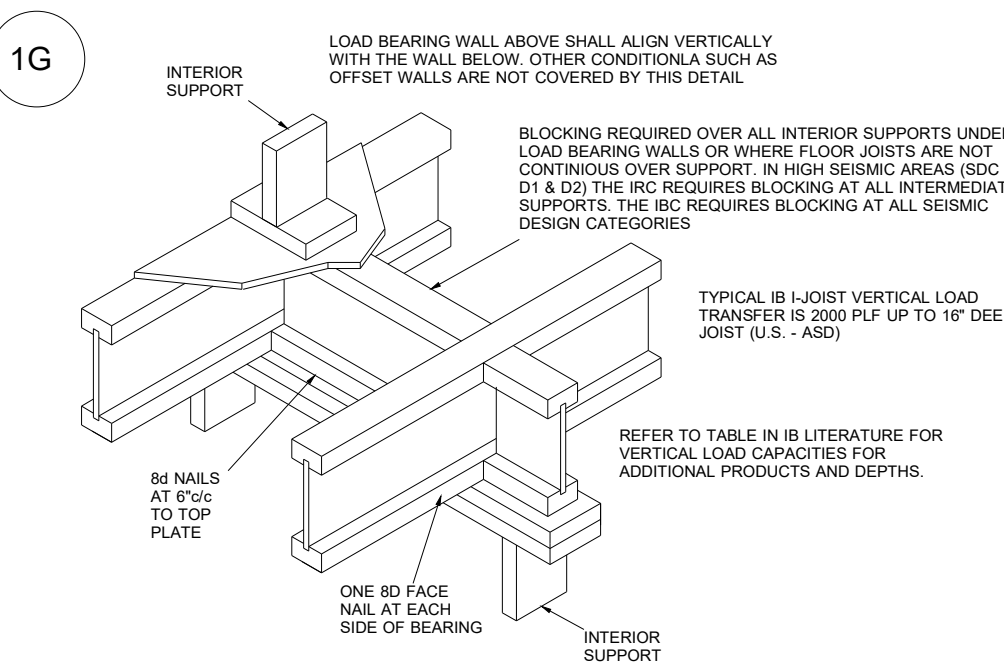
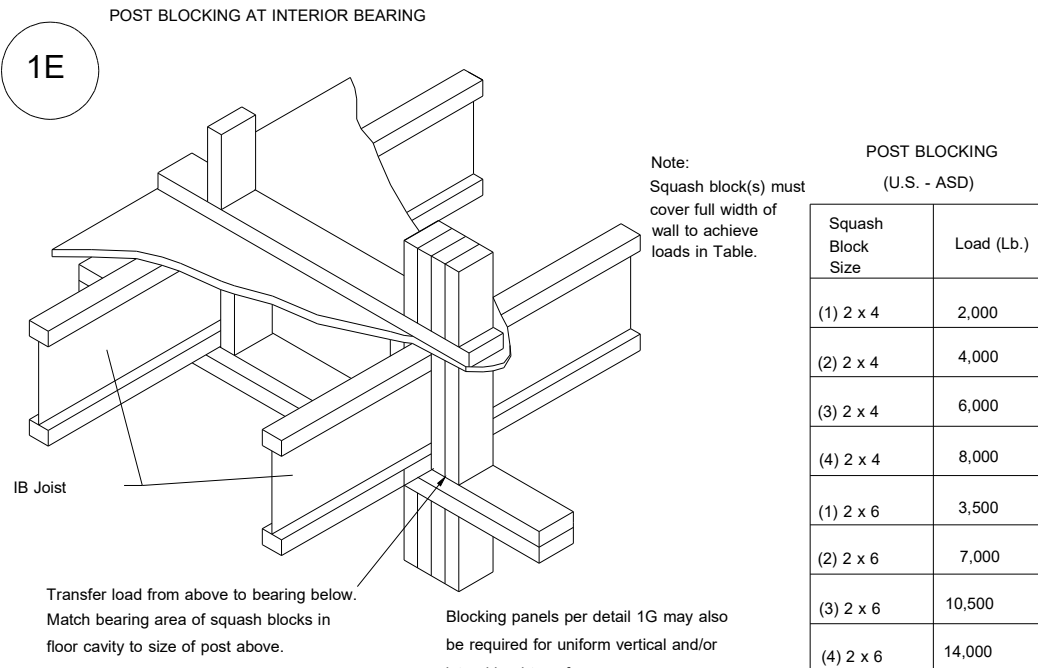
DRAWING SCALE : NTS

**BBO = Beam by Others**  
**PBO = Post by Others**  
**GBO = Girder by Others**  
**J = I-Joist**  
**FB = Flush Beam**  
**DB = Dropped Beam**  
**BP = Blocking Panels**  
**SB = Squash Blocks**



SQUASH BLOCKS FOR VERTICAL WALL LOAD (U.S. - ASD)

Squash Block Size (Inch o.c.)	I-Joist Spacing (Inch o.c.)	Vertical Uniform Wall Load Capacity (PLF)	Vertical Load Capacity (pounds)
(1) 2 x 4	12	2000	2000
(1) 2 x 4	16	1500	1500
(1) 2 x 4	19.2	1350	1350
(1) 2 x 4	24	1000	1000
(1) 2 x 4	12	4000	4000
(1) 2 x 4	16	3000	3000
(1) 2 x 4	19.2	2500	2500
(1) 2 x 4	24	2000	2000
(1) 2 x 6	12	3500	3500
(1) 2 x 6	16	2625	2625
(1) 2 x 6	19.2	2188	2188
(1) 2 x 6	24	1750	1750
(1) 2 x 6	12	7000	7000
(1) 2 x 6	16	5250	5250
(1) 2 x 6	19.2	4375	4375
(1) 2 x 6	24	3500	3500



J&R Homes LLC  
 61 Willowcroft (McGinnis Ferry)  
 1st FLOOR I-JOIST PLACEMENT PLAN

REVISIONS

DATE	BY
02.04.22	RKW
02.15.22	RKW

PROJECT NUMBER  
**22010064**  
 SHEET NUMBER  
**1 / 2**