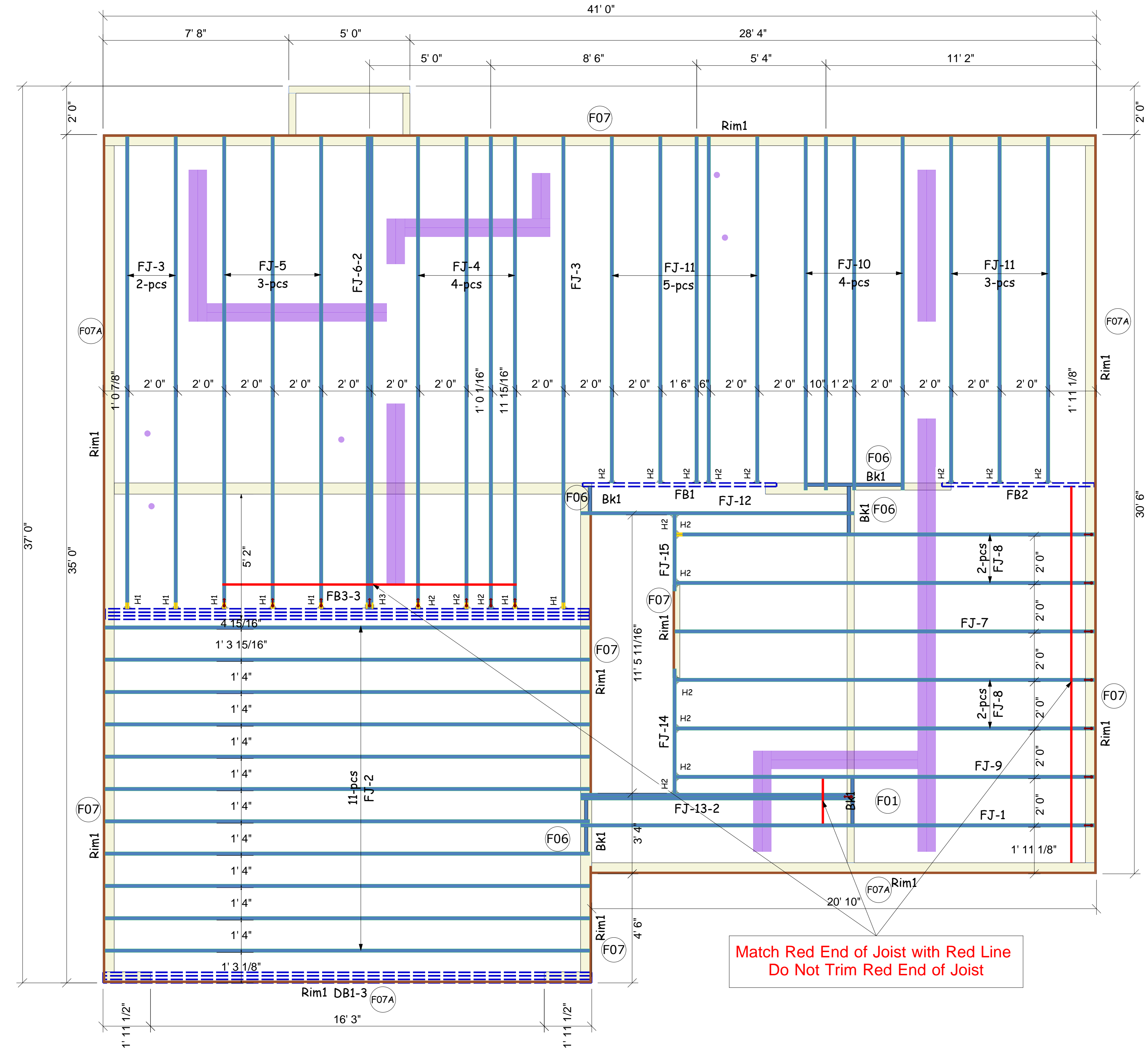


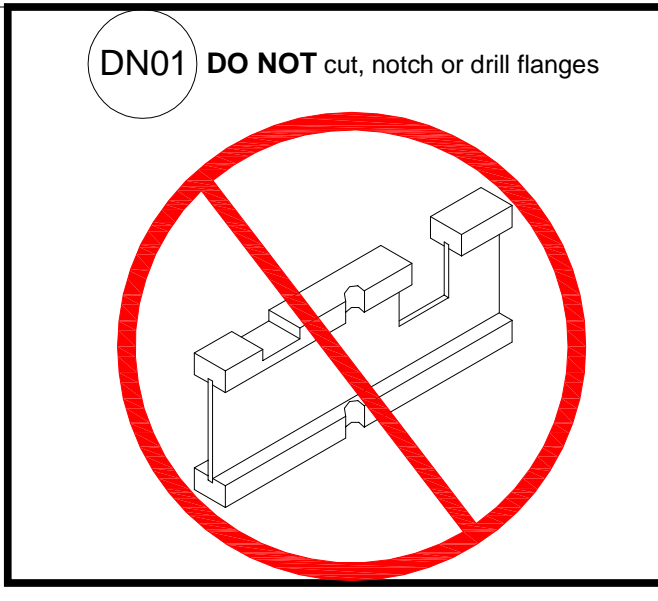
Net Qty	Plies	Product	Length	PlotID
1	1	14" BCI@ 4500s-1.8	21' 2 1/2"	FJ-1
11	1	14" BCI@ 4500s-1.8	20' 0"	FJ-2
3	1	14" BCI@ 4500s-1.8	19' 5 3/4"	FJ-3
4	1	14" BCI@ 4500s-1.8	19' 5 3/4"	FJ-4
3	1	14" BCI@ 4500s-1.8	19' 5 3/4"	FJ-5
2	2	14" BCI@ 4500s-1.8	19' 5 3/4"	FJ-6-2
1	1	14" BCI@ 4500s-1.8	17' 4"	FJ-7
4	1	14" BCI@ 4500s-1.8	17' 3 1/4"	FJ-8
1	1	14" BCI@ 4500s-1.8	17' 3 1/4"	FJ-9
4	1	14" BCI@ 4500s-1.8	14' 7"	FJ-10
8	1	14" BCI@ 4500s-1.8	14' 3 1/2"	FJ-11
1	1	14" BCI@ 4500s-1.8	11' 3 1/2"	FJ-12
2	2	14" BCI@ 4500s-1.8	11' 3 1/2"	FJ-13-2
1	1	14" BCI@ 4500s-1.8	5' 1 1/2"	FJ-14
1	1	14" BCI@ 4500s-1.8	3' 1 3/4"	FJ-15
3	3	1-3/4" x 11-7/8" VERSA-LAM@ 2.0 3100 SP	21' 0"	DB1-3
1	1	1-3/4" x 14" VERSA-LAM@ 2.0 3100 SP	8' 0"	FB1
1	1	1-3/4" x 14" VERSA-LAM@ 2.0 3100 SP	7' 0"	FB2
3	3	1-3/4" x 18" VERSA-LAM@ 2.0 3100 SP	20' 0"	FB3-3
14	1	1" x 14" BC RIM BOARD OSB	12' 0"	Rim1
5	1	14" BCI@ 4500s-1.8	2' 0"	Bk1

Hangers			
Product	Manuf	Qty	PlotID
HU 14	Simpson	7	H1
IUS 1.81/14	Simpson	18	H2
MIU 3.56/14	Simpson	1	H3

TOPSAIL
SEAL DATE 10-26-17
2nd FLOOR I-JOIST LAYOUT



Match Red End of Joist with Red Line
Do Not Trim Red End of Joist



Builders FirstSource
Engineered Wood Products
www.bldr.com
1135 ROBESON STREET
FAYETTEVILLE, NC 28305
V (910) 485-1111
7601 BOEING DRIVE
GREENSBORO, NC 27409
V (336) 884-5454
3189 NC HIGHWAY 5
ABERDEEN NC 28315
V (910) 944-2516

GENERAL NOTES:
1.) READ THE INSTALLATION GUIDE BEFORE FRAMING.
2.) ALL WALLS SHOWN ARE LOAD BEARING UNLESS NOTED OTHERWISE. WALLS NOT SHOWN ARE CONSIDERED NON-LOAD BEARING.
3.) UNLESS STATED OTHERWISE ALL CEILING & ROOF LOADS BRACE DIRECTLY TO LOAD BEARING WALLS SUPPORTED BY FOUNDATION.
4.) CONTACT BUILDERS FIRSTSOURCE BEFORE MAKING ANY ALTERATIONS OR ADJUSTMENTS...FAILURE TO DO SO MAY RESULT IN COSTLY REPAIRS.

H & H HOMES
TOPSAIL - SWP-195
2nd FLOOR EWP PLACEMENT PLAN
Builders FirstSource, Central Carolina Markets
DRAWN BY: CORY D DRIETZ
DATE: 26DEC17
JOB NUMBER:
SCALE: NOT TO SCALE

MINIMUM DESIGN DATA
LIVE LOAD 40 PSF
DEAD LOAD 10 PSF
TOTAL LOAD 50 PSF
DOL = 100%
DEFLECTION CRITERIA
L/480 (MINIMUM)
ARCHITECTURAL PLAN DATE
XX-XX-XX
REVISED ARCH. PLAN DATE
1-27-17
Sheet
2 of 2