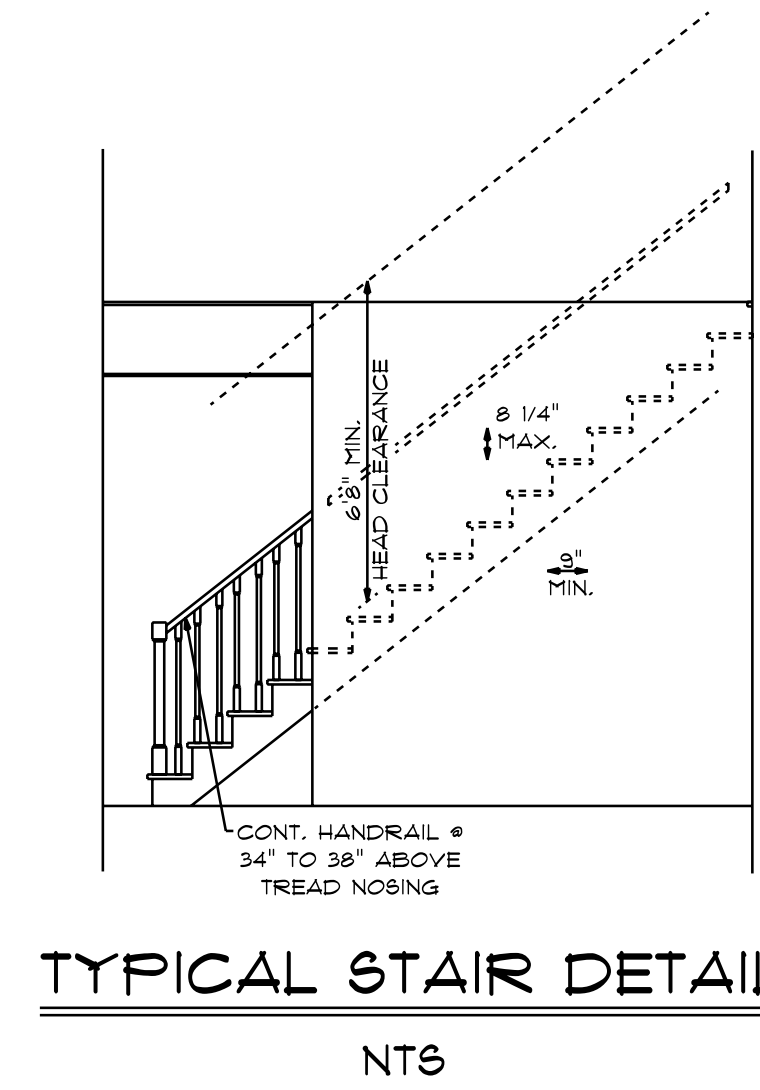
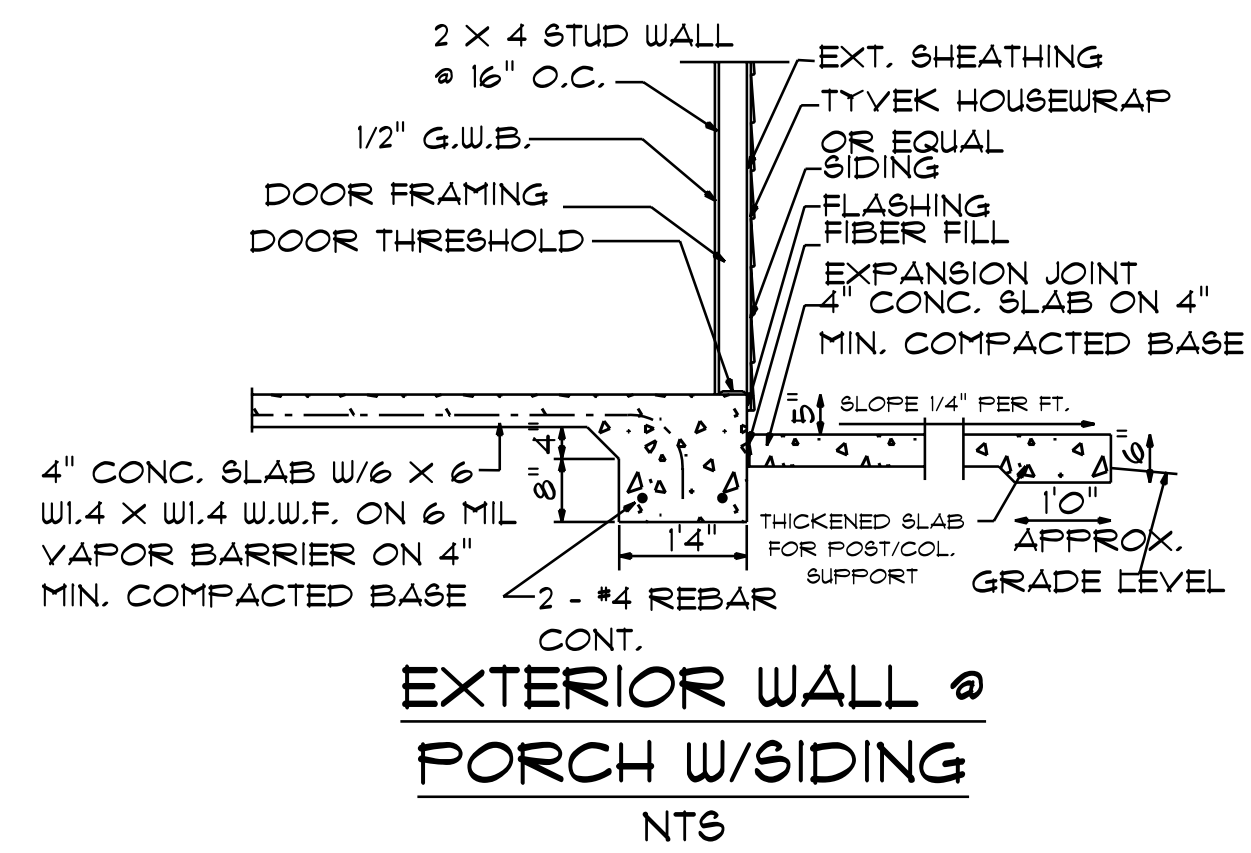
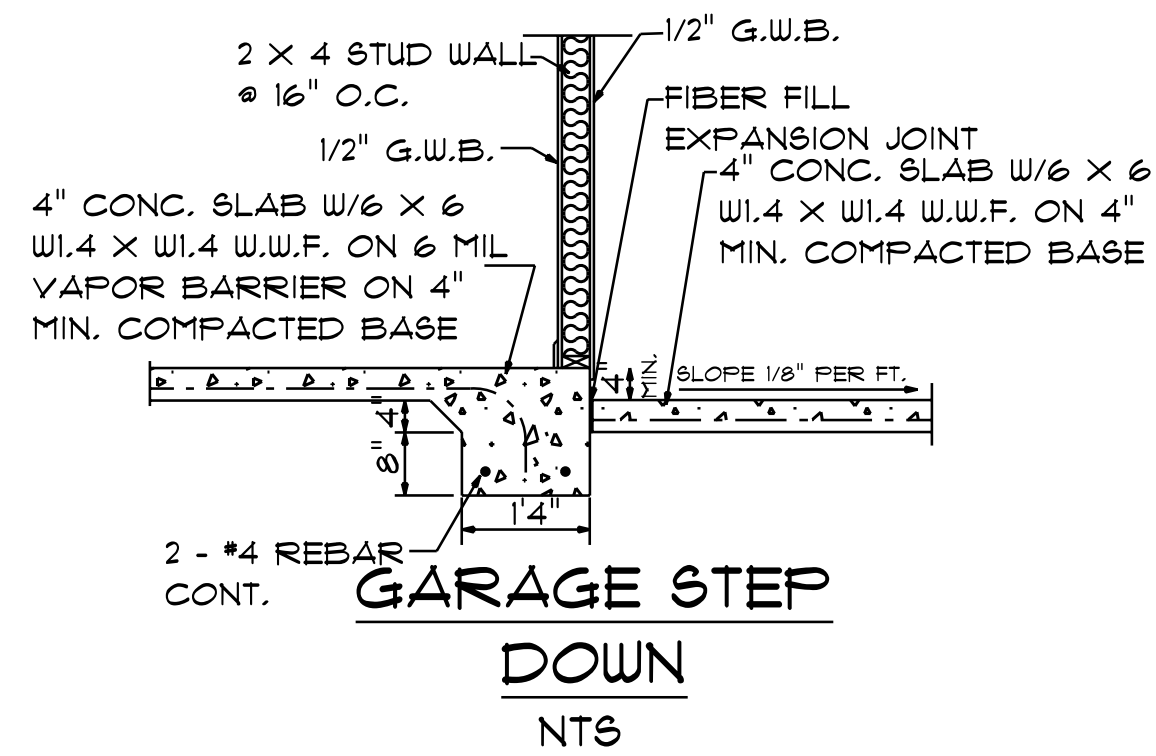
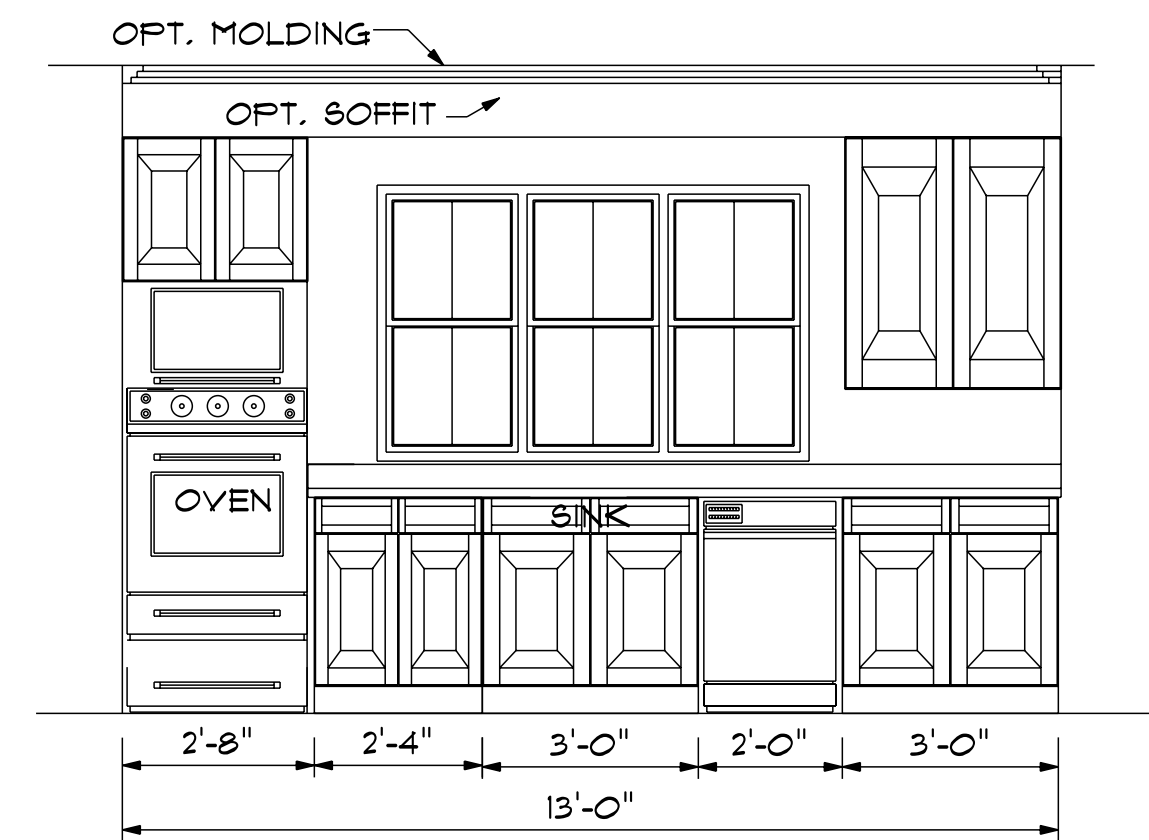
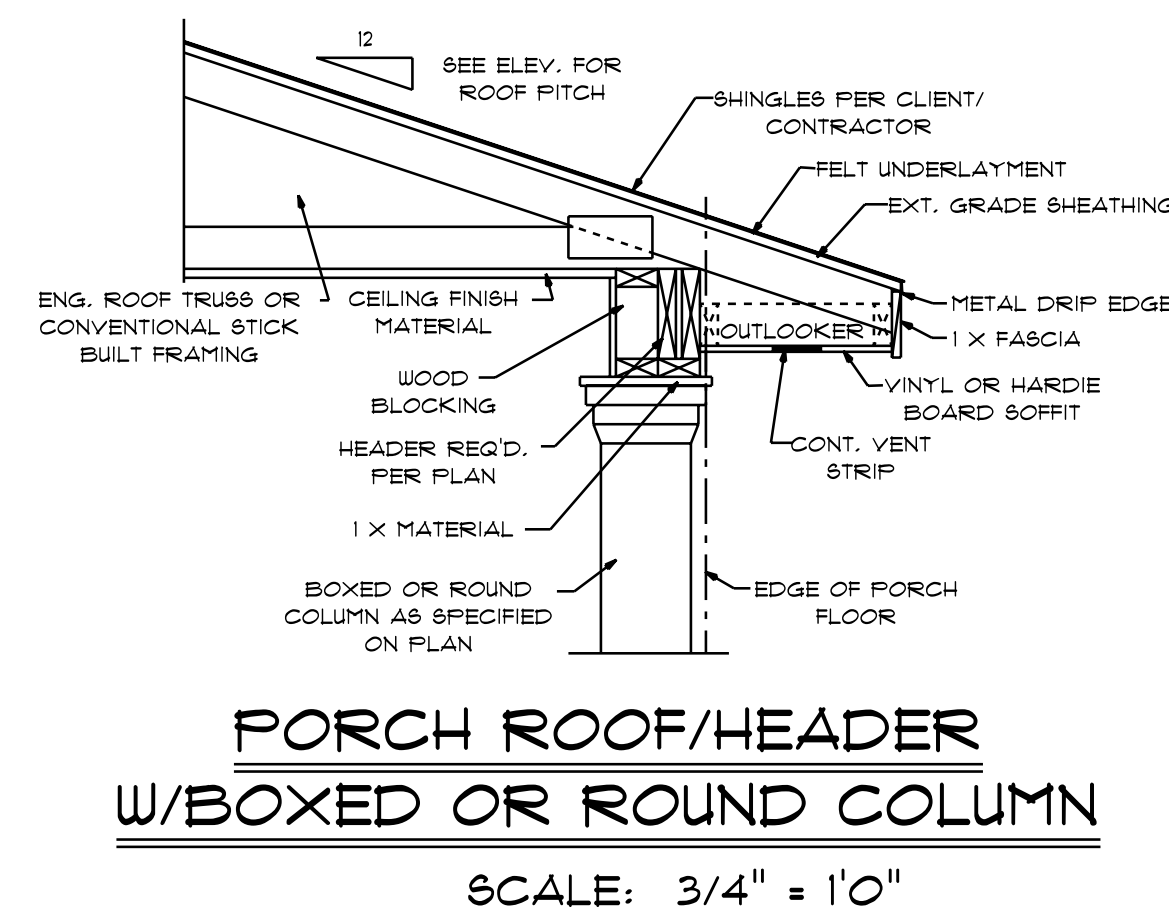
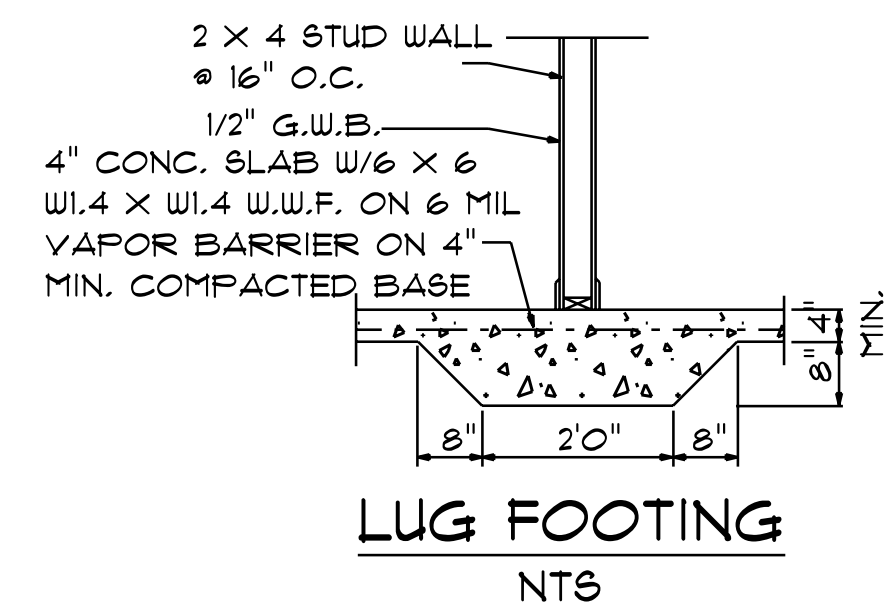
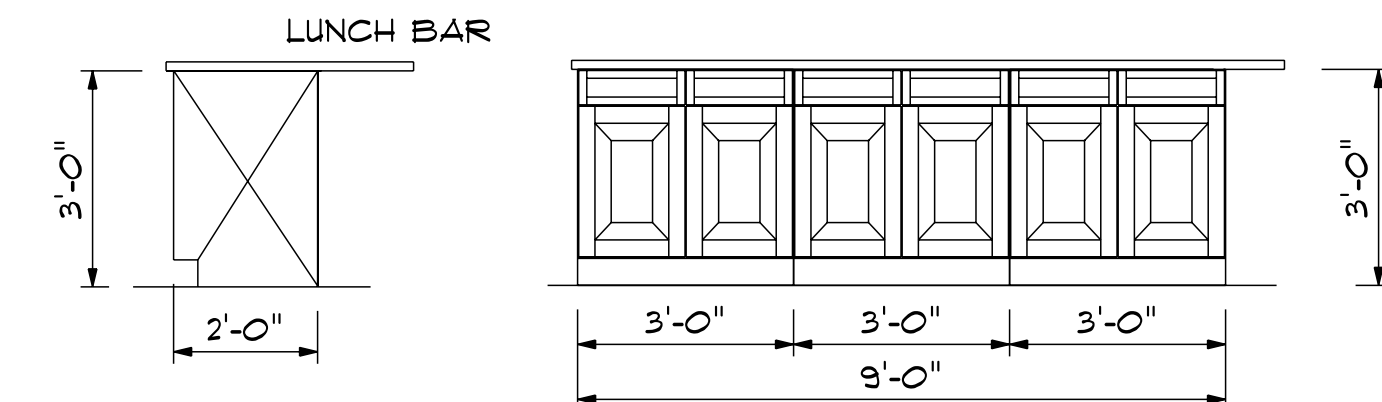


TYP. OVERHANG DETAIL  
NTS



TYPICAL STAIR DETAIL  
NTS



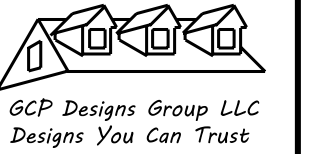
PORCH ROOF/HEADER  
W/BOXED OR ROUND COLUMN  
SCALE: 3/4" = 1'0"

KITCHEN CABINETS  
ELEVATIONS

SCALE: 3/8" = 1'0"

CABINET DESIGNER TO CONFIRM ALL CABINET SIZES  
OWNER TO DETERMINE FINISH OF CABINETS/STYLE OF FULLS  
SEE OWNER FOR APPLIANCES

- NOTES:
1. ALL FINAL MATERIALS ARE TO BE CHOSEN BY
  2. FINAL NUMBER OF EXTERIOR STEPS WILL BE DETERMINED ON SITE BY GRADE
  3. CONTRACTOR MUST MEET OR EXCEED ALL
  4. DESIGNER ASSUMES NO RESPONSIBILITY FOR CHANGES TO DRAWINGS BY OTHERS DURING CONSTRUCTION
  5. ALL STRUCTURAL INFO SHOWN ON PLANS ARE FOR GENERAL INFORMATION ONLY. CONTRACTOR OBTAIN STRUCTURAL ENGS. REVIEW AND DESIGN ALL STRUCTURAL ELEMENTS



DATE: 9-30-2021  
SUBDIVISION:  
BUILDER:

RESIDENCE OF MR. & MRS.  
**CASTILLO**

NOTES:  
CONTRACTOR TO MEET LOCAL AND LOCALS  
BEFORE LOCAL CODES AS IT PERTAINS TO LOCATION OF HOUSE  
COO, 110, 130, 150, 140, 180, 175H