

# FIELD NOTES

## LIST OF ABBREVIATIONS

ACCESS	ACCESS TO ATTIC OR CRAWL SPACE	DN	DISH WASHER	PCKT	POCKET DOOR	T.C.	TOP CHORD
AFF	ABOVE FLOOR	EQ	EQUAL	PERF	PERFORATED	TOM	TOP OF WALL
ABF	ABOVE SEA LEVEL	FDN	FOUNDATION	PL	PLATE	TRANS	TRANSOM
BD	BOARD	FV	FOUNDATION VENT	PT	PRESSURE TREATED FOR EXPOSURE	TYP	TYPICAL
BDRM	BEDROOM	GL	GLASS (DOOR)	FL	FLOOR	UN	UNLESS OTHERWISE NOTED
BM	BEAM	HB	HOSE BIB	R#S	ROD & SHELF (CLOSETS)	V.B.	VAPOR BARRIER
CAB	CABINETS / CABINERY	HDR	DOOR / WINDOW / OPENING HEADER	REF	REFRIGERATOR	VAN	VANITY
CJ	CONTROL JOINT	HVAC	HEATING, VENTING & AIR CONDITION	REINF	REINFORCEMENT	W	WITH
CL	CENTERLINE	KNALL	KNEEWALL	RM	ROOM	WP	WATER PROOF
CMU	CONCRETE MASONRY UNIT	LVL	LAMINATED VENEER LUMBER	SEG-M	SEGMENTED	MV	MAIN WATER VALVE SHUTOFF
CO	CLEAR OPENING	MANF	MANUFACTURED	SHWR	SHOWER	#SP	NUMBER OF STUD POCKETS @ WINDOW/DOOR JAMB
COL	COLUMN	MAS	MASONRY	SHLV(S)	SHELVE(S)		
CONC	CONCRETE	NIC	NOT IN CONTRACT	SPEC(D)	SPECIFICATION / SPECIFIED		
CSMT	CASEMENT	OC	ON CENTER	SQ	SQUARE		
DBL	DOUBLE	OH	OVERHANG	SS	STAINLESS STEEL		
DIAM	DIAMETER	OPNG	OPENING	SST	SIMPSON STRONG-TIE OR EQUAL		
DW/SH	DOUBLE HUNG / SINGLE HUNG WINDOW	OPT	OPTIONAL	SUBFLR	SUB-FLOOR		
DN	DOWN			STYP	SOUTHERN YELLOW PINE		
DP	DEEP						

## SUMMARY

<b>PROJECT INFO</b>			
NAME OF PROJECT:	LOT 204 CROSSING @ ANDERSON CREEK / CC2680		
PROJECT ADDRESS:	168 KENSINGTON DRIVE		
PROPOSED USE:	RESIDENTIAL		
CONTACT:	CAVINESS & CATES, INC		
<b>CODE COMPLIANCE:</b>			
MUNICIPALITY:	2018 NC STATE RESIDENTIAL BUILDING CODE		
DESIGNER:	HARNETT COUNTY		
<b>DESIGNER:</b>			
TODD TUCKER, AIBD, CFBID 910-366-2636			
<b>SPACE DATA:</b>			
FIRST FLOOR:	1550 SF	<b>SPACE DATA OPTIONS:</b>	
SECOND FLOOR:	1166 SF	WORK AREA:	96 SF
TOTAL HEATED:	2714 SF	GOLF CART GARAGE:	108 SF
FRONT PORCH:	128 SF	3rd CAR GARAGE:	266 SF
GARAGE:	430 SF	CAROLINA ROOM:	152 SF
		EXTENDED FRONT PORCH:	184 SF
		REAR COVERED PORCH:	156 SF
OVERALL BUILDING HEIGHT 24'-2" WITH SLAB FOUNDATION			
<b>DESIGN LOADS</b>			
ROOF LOADS:	20 PSF LIVE, 20 PSF DEAD		
ATTIC LOADS:	20 PSF LIVE, WHERE INDICATED (SEE TRUSS DWGS)		
FIRST FLOOR:	40 PSF LIVE, 10 PSF DEAD		
UPPER FLOORS:	30 PSF LIVE, 15 PSF DEAD		
WIND LOAD:	FOR ASCE 7-10, RISK CATEGORY II, EXPOSURE 'B', 120 mph		
ALL GARAGE PORTAL WALLS TO BE FRAMED WITH 2x6 STUDS			

### LIST OF SYMBOLS

SECTION SHEET		SECTION MARK		SLOPE UP PITCH
SECTION SHEET		DETAIL MARK		EARTH
	TITLE MARK		INSULATION	
	INTERIOR BEARING WALL		STANDARD WALL	

### ENERGY COMPLIANCE

CLIMATE ZONE: 4A HARNETT COUNTY  
CHAPTER II ENERGY EFFICIENCY COMPLIANCE (CHECK ONE)

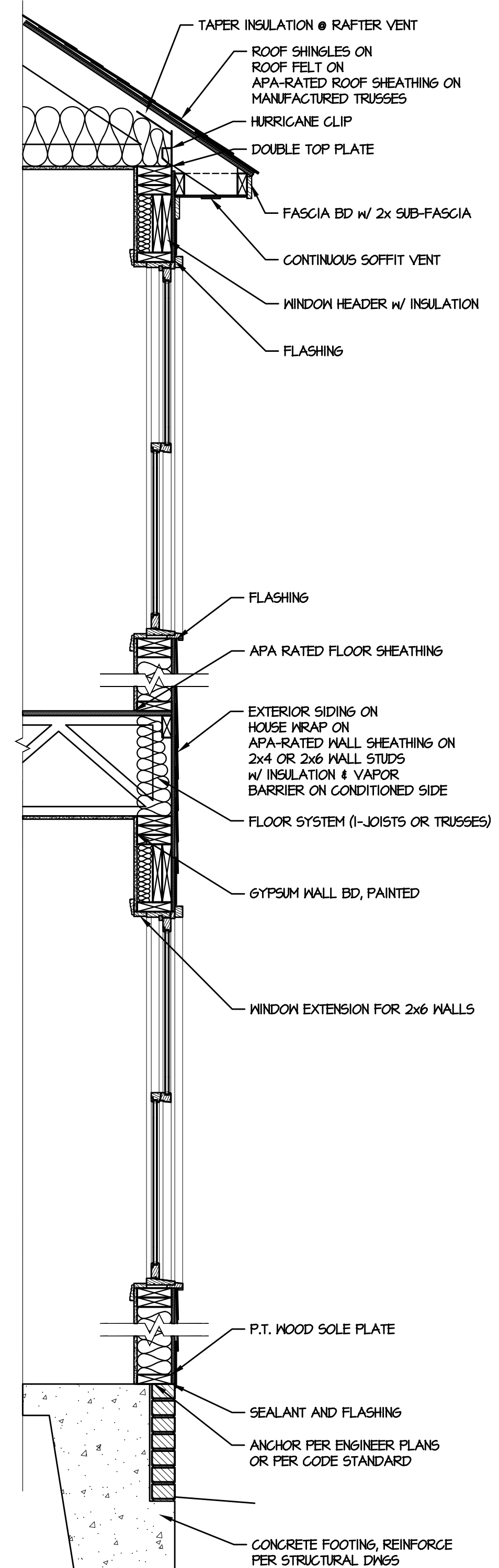
PRESCRIPTIVE CODE  
 PERFORMANCE

CEILING INSULATION: R30  
WALL INSULATION: R19  
FLOOR INSULATION: R19 FOR CRAWL SPACE / R10 FOR SLAB

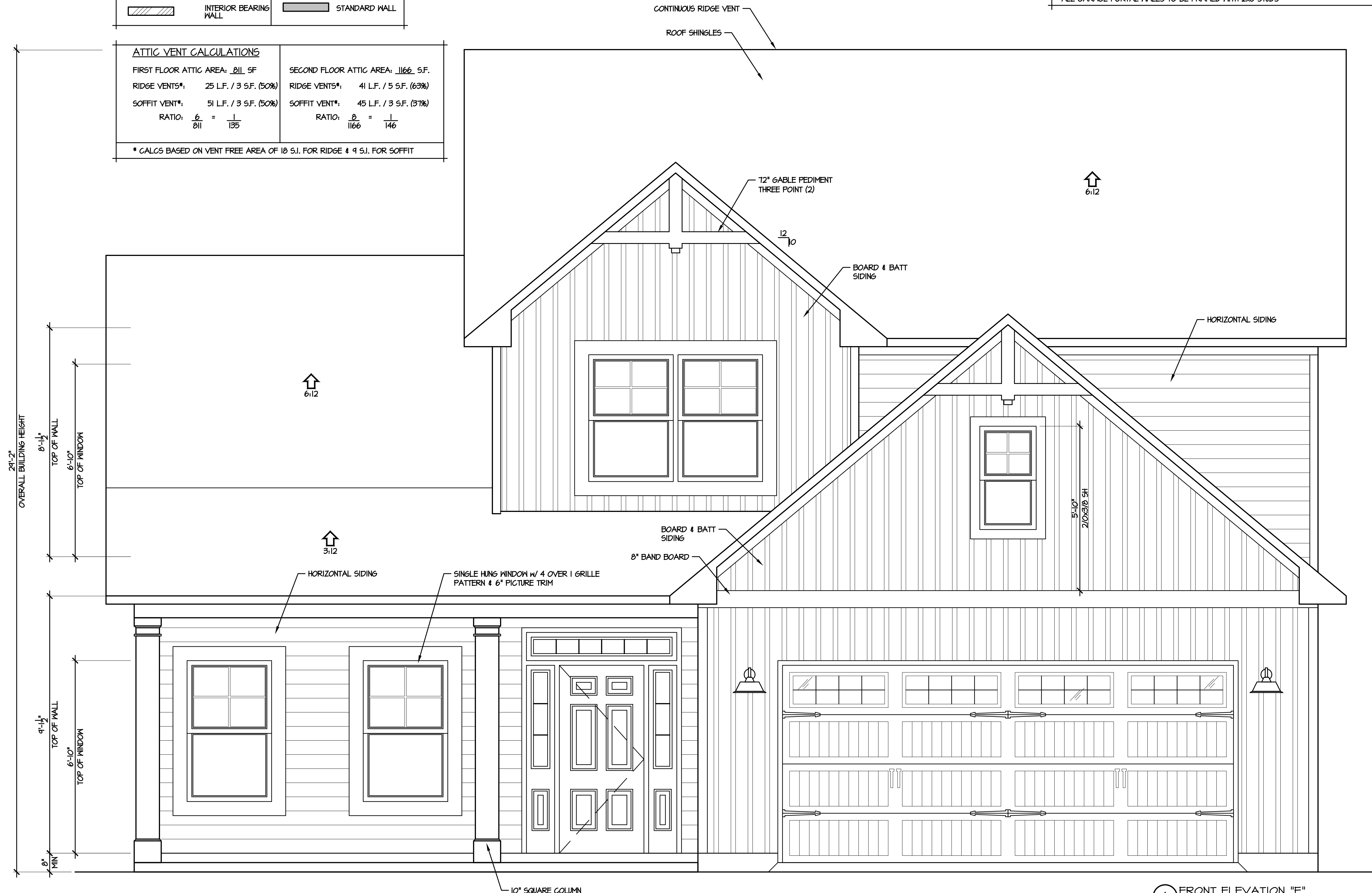
### ATTIC VENT CALCULATIONS

FIRST FLOOR ATTIC AREA:	211 SF	SECOND FLOOR ATTIC AREA:	1166 SF
RIDGE VENTS*:	25 L.F. / 3 S.F. (50%)	RIDGE VENTS*:	41 L.F. / 5 S.F. (63%)
SOFFIT VENTS*:	51 L.F. / 3 S.F. (50%)	SOFFIT VENTS*:	45 L.F. / 3 S.F. (37%)
RATIO:	$\frac{6}{211} = \frac{1}{35}$	RATIO:	$\frac{6}{1166} = \frac{1}{194}$

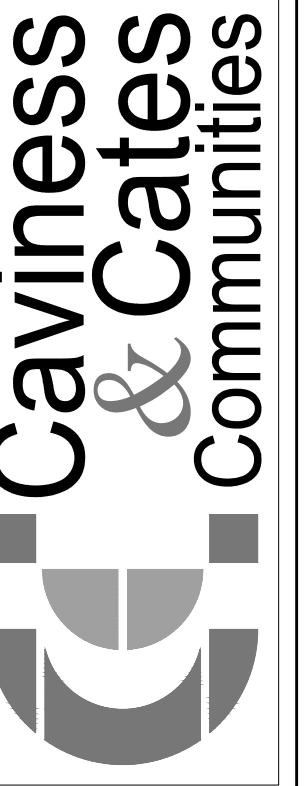
\* CALCS BASED ON VENT FREE AREA OF 18 S.I. FOR RIDGE & 9 S.I. FOR SOFFIT



**A** TYPICAL WALL SECTION  
3/4" = 1'-0" BRICK/MONO SLAB

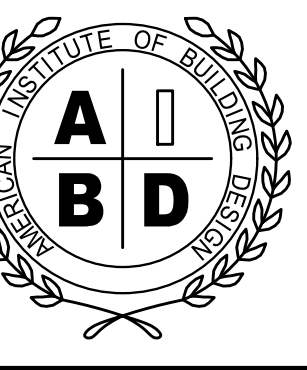


**1** FRONT ELEVATION "F"  
1/2" = 1'-0"



© 2018 Caviness & Cates

639 Executive Place  
Suite 400  
Fayetteville, NC 28305  
Office: 910-481-0503  
Sales: 910-240-4210  
Fax: 910-481-0585



TODD TUCKER 34 - 156  
FORTIFIED-WISE™  
PROFESSIONAL  
910-824-1474

PLAN NUMBER:  
**THE GRANVILLE "C"**  
SHEET TITLE:  
**FRONT ELEVATION / DATA**

PLAN NO:  
**CC 2680**

DATE:  
**AUGUST 2019**

REVISIONS:


SHEET NO:

**1**  
LOT AC204



**J.S. THOMPSON  
ENGINEERING, INC**  
606 WADE AVE., SUITE 104 RALEIGH, NC 27605  
PHONE: (919) 789-9919 FAX: (919) 789-9921  
N.C. LICENSE NO.: C-1733

CC 2680  
CAVINESS & CATES

DATE: MARCH 26, 2021  
SCALE: 1/4" = 1'-0"  
DRAWN BY: TT  
ENGINEERED BY: JAG

SHEET 2 OF 15  
S-1b  
MONO SLAB  
FOUNDATION PLAN

- 150 MPH ULTIMATE DESIGN WIND SPEED NOTES FOR LESS THAN 30' MEAN ROOF HEIGHT:**
- ENGINEER'S SEAL APPLIES ONLY TO STRUCTURAL COMPONENTS. ENGINEER'S SEAL DOES NOT CERTIFY DIMENSIONAL ACCURACY OR ARCHITECTURAL LAYOUT INCLUDING ROOF SYSTEM.
  - STRUCTURAL DESIGN PER NORTH CAROLINA RESIDENTIAL CODE 2018 EDITION WITH SPECIAL CONSIDERATION TO CHAPTER 45 ("HIGH WIND ZONES" FOR 150 MPH WINDS).
  - BUILDER IS TO PROVIDE FRAMING CONNECTIONS AS REQUIRED BY CHAPTER 45 ("HIGH WIND ZONES" FOR 150 MPH WINDS) OF THE NORTH CAROLINA RESIDENTIAL CODE 2018 EDITION.
  - FOUNDATION ANCHORAGE TO COMPLY WITH SECTION 4504 OF THE NORTH CAROLINA RESIDENTIAL CODE 2018 EDITION.
  - MEAN ROOF HEIGHT IS LESS THAN 30 FEET.
  - WALL CLADDING DESIGNED FOR +2.3 PSF AND -3.7 PSF (+/- INDICATE POSITIVE / NEGATIVE PRESSURE (TYP)).
  - ROOF CLADDING DESIGNED FOR #22 PSF AND -28 PSF FOR ROOF PITCHES 1/2 TO 1/2 AND #4 PSF AND -51 PSF FOR ROOF PITCHED 2.25/12 TO 1/12.
  - 1/8" OSB SHEATHING IS REQUIRED ON ALL EXTERIOR WALLS.
  - WALLS TO BE BRACED IN ACCORDANCE WITH SECTION R602.10 OF THE NORTH CAROLINA RESIDENTIAL CODE 2018 EDITION AND AS NOTED ON PLANS.
  - ENERGY EFFICIENCY COMPLIANCE AND INSULATION VALUES OF THE BUILDING TO BE IN ACCORDANCE WITH CHAPTER 11 OF THE NRC, 2018 EDITION.

- 120 MPH ULTIMATE DESIGN WIND SPEED NOTES FOR LESS THAN 30' MEAN ROOF HEIGHT:**
- ENGINEER'S SEAL APPLIES ONLY TO STRUCTURAL COMPONENTS. ENGINEER'S SEAL DOES NOT CERTIFY DIMENSIONAL ACCURACY OR ARCHITECTURAL LAYOUT INCLUDING ROOF SYSTEM.
  - STRUCTURAL DESIGN PER NORTH CAROLINA RESIDENTIAL CODE 2018 EDITION.
  - INSTALL 1/2" ANCHOR BOLTS 6'-0" O.C. AND WITHIN 1'-0" FROM END OF EACH CORNER. ANCHOR BOLTS MUST EXTEND A MINIMUM OF 1" INTO MASONRY OR CONCRETE. LOCATE BOLT WITHIN MIDDLE THIRD OF PLATE WIDTH.
  - MEAN ROOF HEIGHT IS LESS THAN 30 FEET.
  - EXTERIOR WALLS DESIGNED FOR 120 MPH WINDS.
  - WALL CLADDING DESIGNED FOR +5.5 PSF AND -10 PSF (+/- INDICATE POSITIVE / NEGATIVE PRESSURE (TYP)).
  - ROOF CLADDING DESIGNED FOR #42 PSF AND -18 PSF FOR ROOF PITCHES 1/2 TO 1/2 AND #8 PSF AND -36 PSF FOR ROOF PITCHED 2.25/12 TO 1/12.
  - INSTALL 1/8" OSB SHEATHING ON ALL EXTERIOR WALLS OF ALL STORIES IN ACCORDANCE WITH SECTION R602.10.3 OF THE NRC, 2018 EDITION. SEE THE WALL BRACING NOTES AND DETAILS SHEET FOR MORE INFORMATION.
  - ENERGY EFFICIENCY COMPLIANCE AND INSULATION VALUES OF THE BUILDING TO BE IN ACCORDANCE WITH CHAPTER 11 OF THE NRC, 2018 EDITION.
  - REFER TO NOTES AND DETAIL SHEETS FOR ADDITIONAL STRUCTURAL INFORMATION.

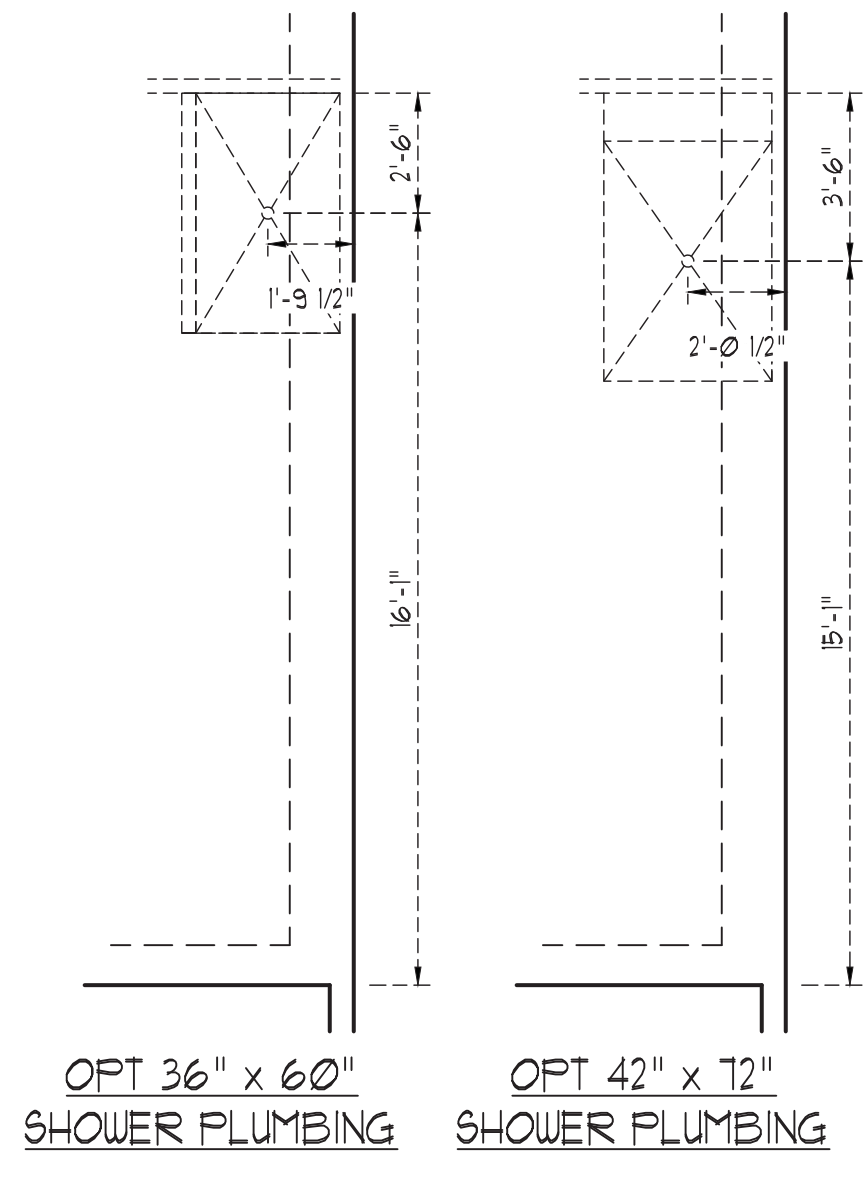
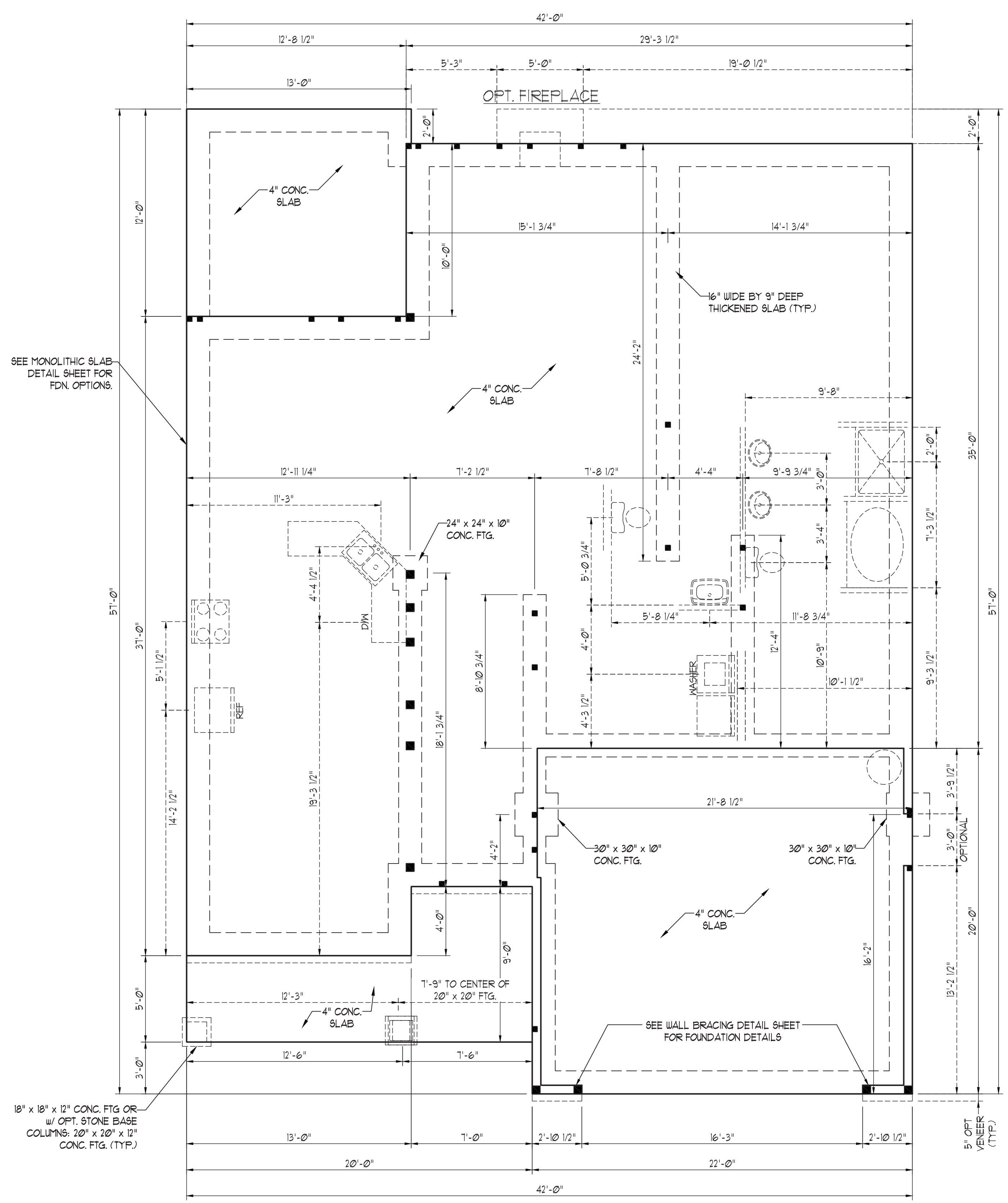
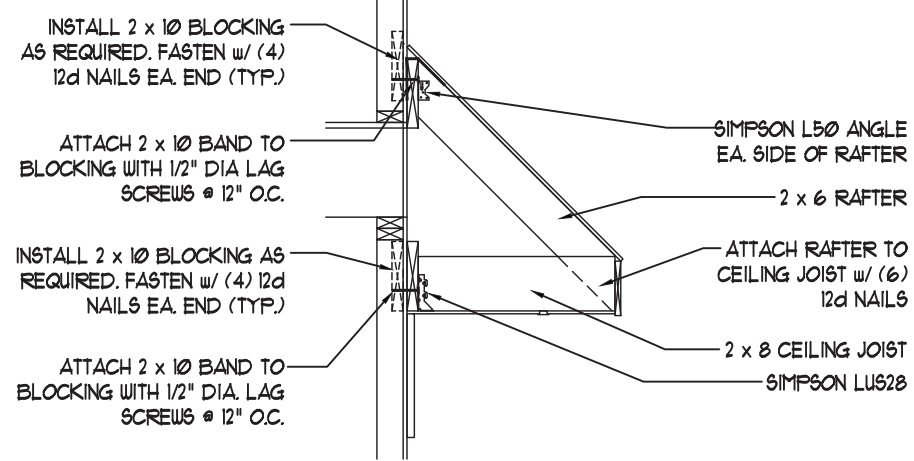
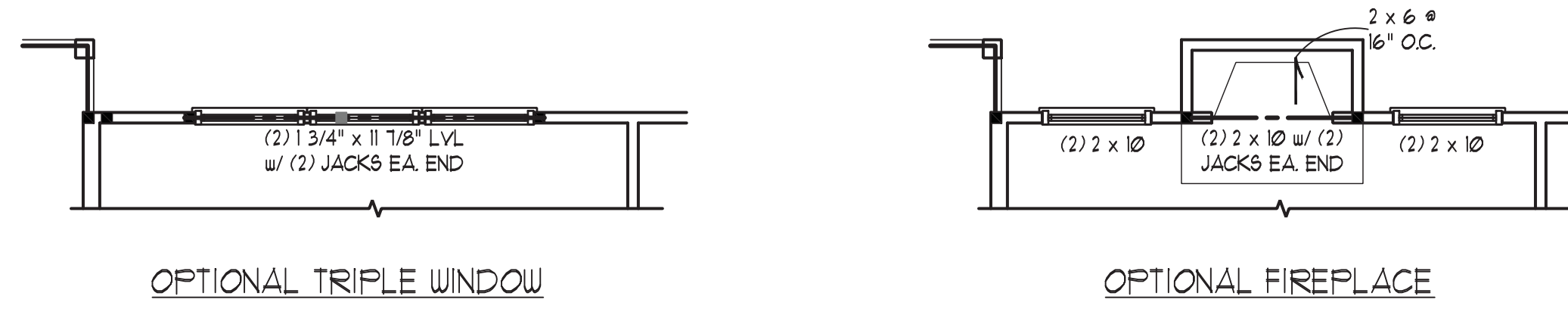


TABLE R602.15  
MINIMUM NUMBER OF FULL HEIGHT STUDS  
AT EACH END OF HEADERS IN EXTERIOR WALLS

MAXIMUM STUD SPACING (INCHES) (PER TABLE R602.3(5))	HEADER SPAN (FEET)	UP TO 3'
24	16	4
1	2	4
2	3	8
3	5	12
4	6	16

**\*NOTE: ALL EXTERIOR WALLS AND ATTIC WALLS ARE TO BE 2 x 4 @ 16" O.C. MIN. (UNO). 2 x 6 @ 24" O.C. EXTERIOR WALLS MAY BE CONSTRUCTED IN LIEU OF 2 x 4 WALLS (UNO). ALL INTERIOR LOAD BEARING WALLS ARE TO BE 2 x 4 @ 16" O.C. (UNO) AND NON-LOAD BEARING INTERIOR WALLS ARE TO BE 2 x 4 @ 24" O.C. (UNO).**



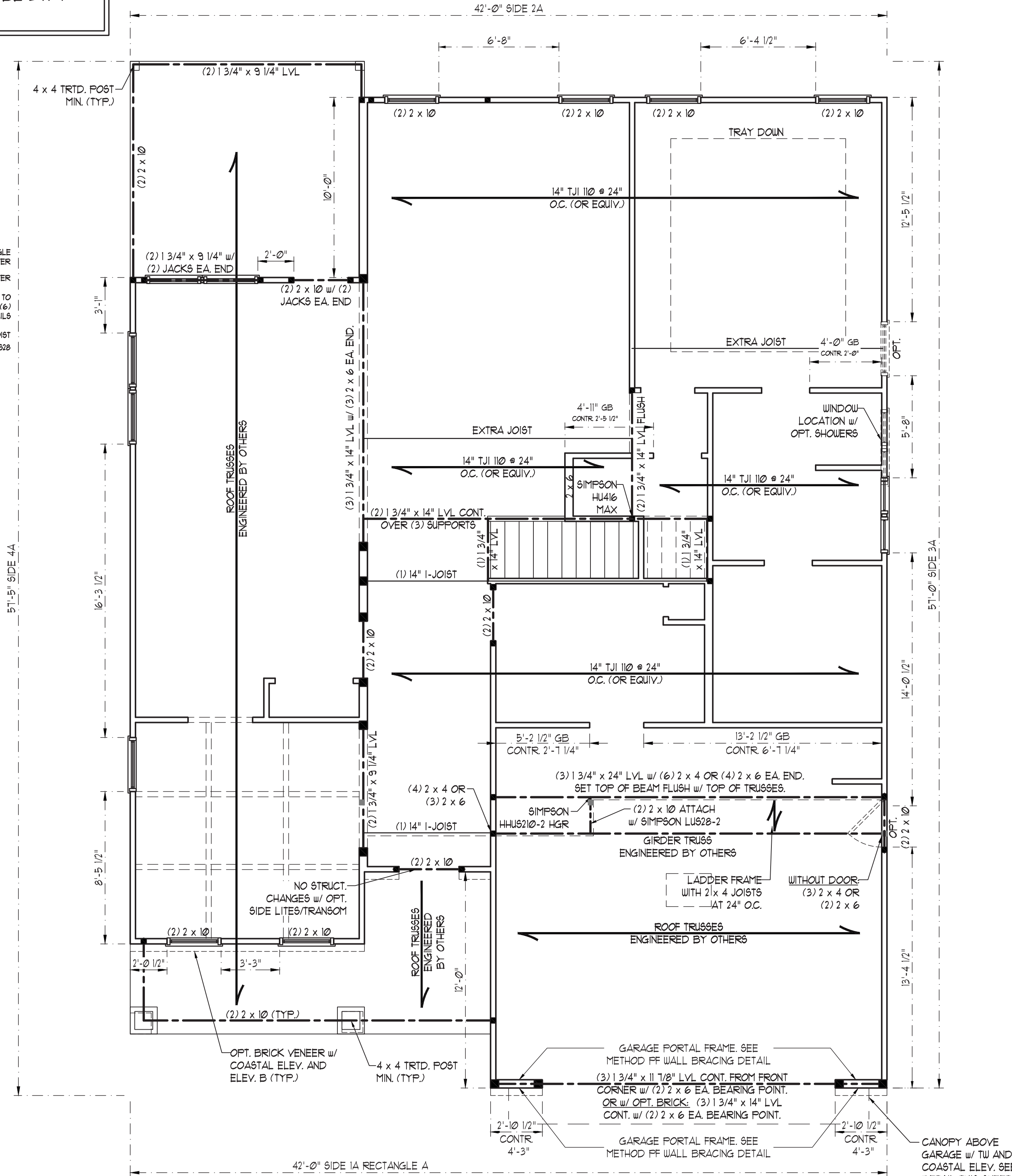
LINTEL SCHEDULE FOR BRICK/NATURAL STONE SUPPORT

LENGTH (FT.)	SIZE OF LINTEL
UP TO 4 FT.	L 3 1/2 x 3 1/2 x 1/4
4-8	L 5 x 3 1/2 x 5/16 LLV
8 AND GREATER	L 6 x 4 x 5/16 LLV

**BRICK SUPPORT NOTES:**

- LINTEL SCHEDULE APPLIES TO ALL OPENINGS IN BRICK VENEER (UNO). SEE ARCH DWS. FOR SIZE AND LOCATION OF OPENINGS.
- (LLV) = LONG LEG VERTICAL
- LENGTH = CLEAR OPENING
- EMBED ALL ANGLE IRONS MIN. 4" EACH SIDE INTO VENEER TO PROVIDE BEARING.
- FOR ALL HEADERS 8'-0" AND GREATER IN LENGTH, ATTACH STEEL ANGLE TO HEADER w/ 1/2" LAG SCREWS @ 12" O.C. STAGGERED.
- FOR ALL BRICK SUPPORT @ ROOF LINES, FASTEN (2) 2 x 10 BLOCKING BETWEEN STUDS w/ (4) 12d NAILS PER FLY. FASTEN A 6" x 4" x 5/16" STEEL ANGLE TO (2) 2 x 10 BLOCKING w/ (2) 1/2" LAG SCREWS @ 12" O.C. STAGGERED. SEE SECTION R103.8.2.1 OF THE 2018 NRC FOR ADDITIONAL BRICK SUPPORT INFORMATION.
- PRECAST REINFORCED CONCRETE LINTELS ENGINEERED BY OTHERS MAY BE USED IN LIEU OF STEEL LINTELS.

NOTE: BCI 4500s-18 JOISTS MAY BE INSTALLED IN LIEU OF TJI 110 JOISTS AT THE DEPTH AND SPACING INDICATED ON THE PLAN



**BRACED WALL DESIGN NOTES:**

- BRACED WALL DESIGN PER SECTION R602.10 OF THE NRC 2018 EDITION.
- CS-WSP REFERS TO "CONTINUOUS SHEATHING - WOOD STRUCTURAL PANELS" CONTRACTOR IS TO INSTALL 7/16" OSB ON ALL EXTERIOR WALLS ATTACHED w/ 8d NAILS SPACED 6" O.C. ALONG PANEL EDGES AND 12" O.C. IN THE FIELD.
- GB REFERS TO "GYPSUM BOARD" CONTRACTOR IS TO INSTALL 1/2" (MIN) GYPSUM WALL BOARD WHERE NOTED ON THE PLANS. FASTEN GB WITH 1 1/4" SCREWS OR 1 5/8" NAILS SPACED 1" O.C. ALONG PANEL EDGES AND IN THE FIELD INCLUDING TOP AND BOTTOM PLATES.
- BRACED WALL DESIGN APPLIED IN WIND ZONES UP TO 130 MPH. FOR HIGH WIND ZONES, BRACE WALLS ARE TO BE CONSTRUCTED IN ACCORDANCE WITH CHAPTER 45 OF THE NRC 2018 EDITION.
- SEE NOTES AND DETAIL SHEETS FOR ADDITIONAL BRACED WALL INFORMATION.

**BRACED WALL DESIGN**

**RECTANGLE A**

**SIDE 1A (FRONT LOAD)**  
METHOD: CS-WSP/GB/FF  
TOTAL REQUIRED LENGTH: 15.81'  
TOTAL PROVIDED LENGTH: 19.15'

**SIDE 2A**  
METHOD: CS-WSP/GB  
TOTAL REQUIRED LENGTH: 15.81'  
TOTAL PROVIDED LENGTH: 17.83'

**SIDE 3A (SIDE LOAD)**  
METHOD: CS-WSP/FF  
TOTAL REQUIRED LENGTH: 11.9'  
TOTAL PROVIDED LENGTH: 31.83'

**SIDE 4A**  
METHOD: CS-WSP  
TOTAL REQUIRED LENGTH: 11.9'  
TOTAL PROVIDED LENGTH: 32.56'

**STRUCTURAL NOTES:**

- ALL FRAMING LUMBER TO BE SFF #2 (UNO). ALL TREATED LUMBER TO BE SYP #2 (UNO).
- ALL LOAD BEARING HEADERS TO BE (2) 2 x 6 SFF #2 OR SYP #2 (KILN DRIED) (UNO). HEADERS HAVE BEEN DESIGNED BASED ON CALCULATED LOADS. CODE TABLES HAVE NOT BEEN USED.
- INSTALL AN EXTRA JOIST UNDER WALLS PARALLEL TO FLOOR JOISTS WHERE NOTED ON THE PLANS.
- WINDOW AND DOOR HEADERS TO BE SUPPORTED w/ (1) JACK STUD AND (1) KING STUD EA. END (UNO). SEE TABLE R602.15 FOR ADDITIONAL KING STUD REQUIREMENTS.
- SQUARES DENOTE POINT LOADS WHICH REQUIRE SOLID BLOCKING TO GIRDER OR FOUNDATION. ALL SQUARES TO BE (2) STUDS (UNO).
- FOR HIGH WIND ZONES, ALL EXTERIOR WALLS TO BE SHEATHED WITH 7/16" OSB SHEATHING WITH JOINTS BLOCKED AND SECURED WITH 8d NAILS AT 3" O.C. ALONG EDGES AND 6" O.C. IN THE FIELD.
- FOR HIGH WIND ZONES, SECURE ALL EXTERIOR WALL SHEATHING PANELS TO DOUBLE TOP PLATES, BANDS, JOISTS, AND GIRDERS WITH (2) ROWS OF 8d NAILS STAGGERED AT 3" O.C. PANELS SHALL EXTEND 12" BEYOND CONSTRUCTION JOINTS AND SHALL OVERLAP GIRDERS AND DOUBLE SILL PLATES THEIR FULL DEPTH.
- SPECIFIED SIMPSON STRONG-TIE PRODUCTS MAY BE SUBSTITUTED WITH THOSE MANUFACTURED BY USF STRUCTURAL CONNECTORS PROVIDED THAT THE LOAD CAPACITY AND FUNCTION IS EQUIVALENT.
- ALL 4 x 4 POSTS SHALL BE ANCHORED TO SLABS w/ SIMPSON ABU44 POST BASES (OR EQUAL) AND 6 x 6 POSTS w/ ABU66 POST BASES (OR EQUAL) (UNO). ALL 4 x 4 AND 6 x 6 POSTS TO BE INSTALLED WITH 100 LB CAPACITY UPLIFT CONNECTORS AT TOP AND BOTTOM (UNO).
- FOR FIBERGLASS, ALUMINUM OR COLUMN ENG. BY OTHERS, SECURE TO SLAB w/ (2) METAL ANGLES USING 2" CONC. SCREWS. FASTEN ANGLES TO COLUMNS w/ 1/4" THROUGH BOLTS w/ NUTS AND WASHERS. LOCATE ANGLES ON OPPOSITE SIDES OF COLUMN. THROUGH BOLTS MUST BE INSTALLED PRIOR TO SETTING COLUMN.
- REFER TO NOTES AND DETAIL SHEETS FOR ADDITIONAL STRUCTURAL INFORMATION.

**J.S. THOMPSON ENGINEERING, INC.**  
606 WADE AVE., SUITE 104 RALEIGH, NC 27605  
PHONE: (919) 789-9919 FAX: (919) 789-9921  
N.C. LICENSE NO.: C-1733

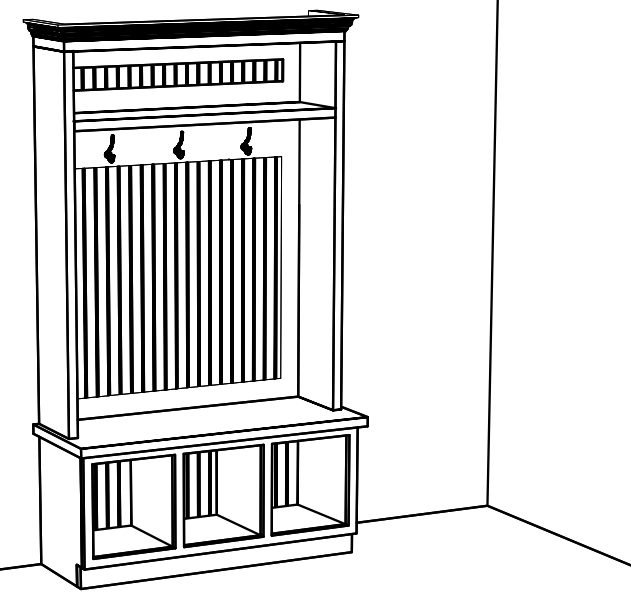
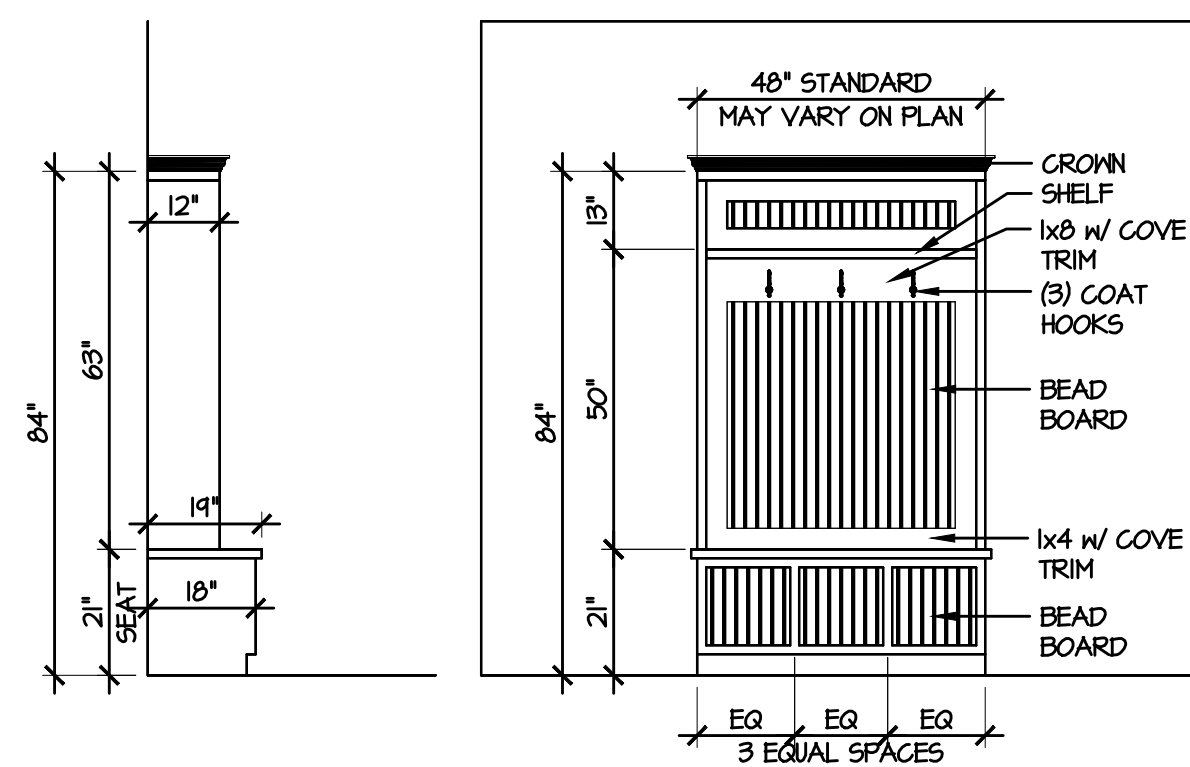
CC 2680  
CAVINESS & CATES

DATE: MARCH 26, 2021  
SCALE: 1/4" = 1'-0"  
DRAWN BY: TT  
ENGINEERED BY: JAG

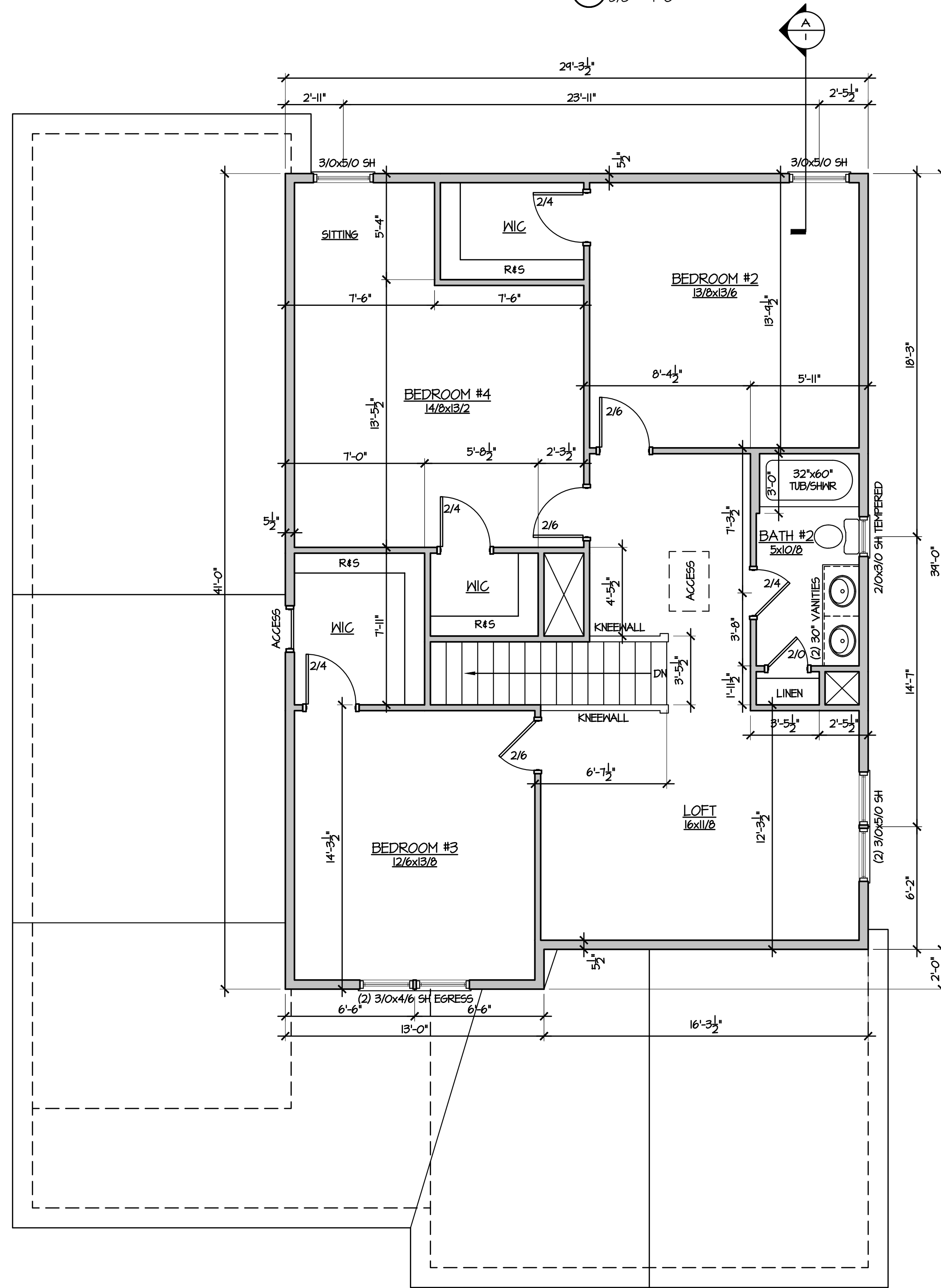
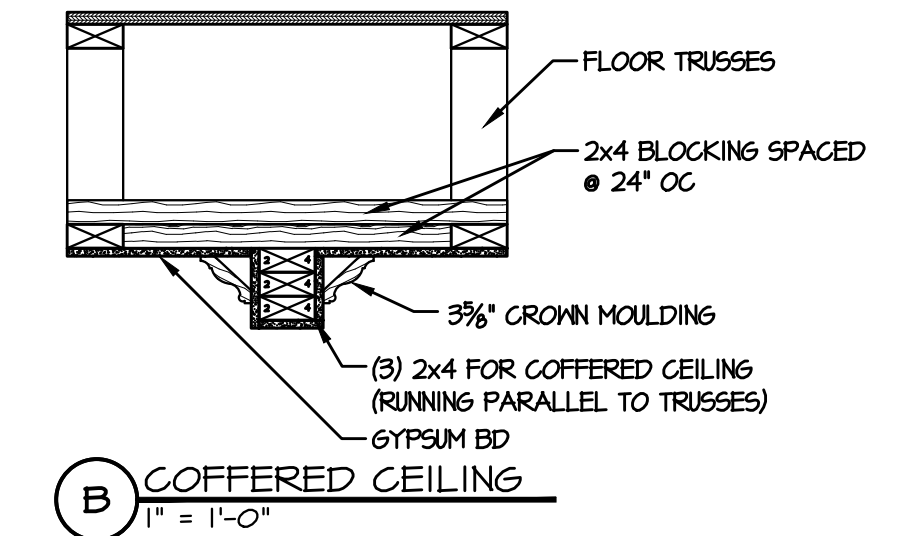
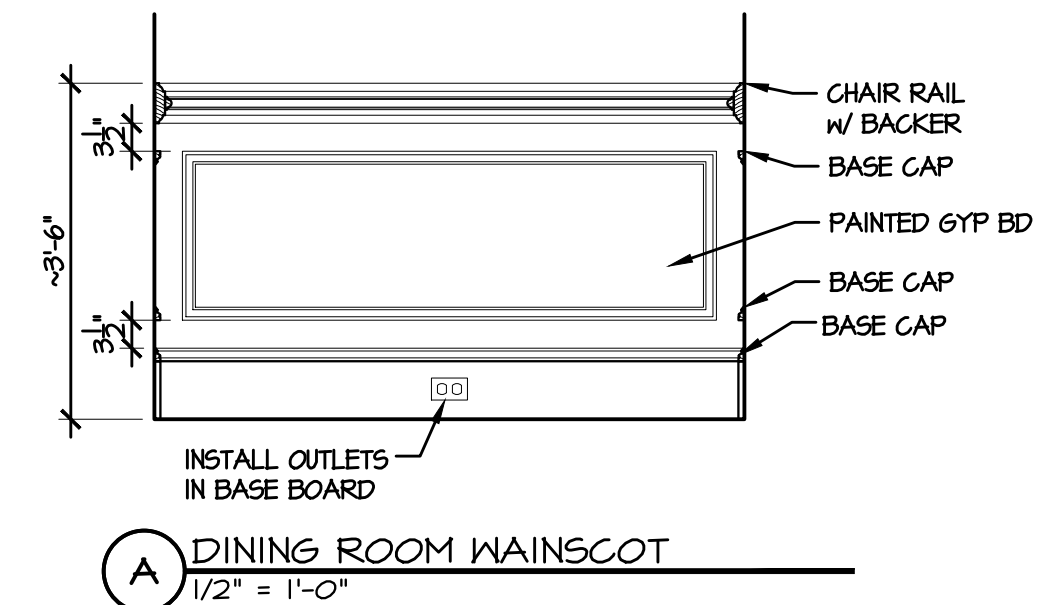
SHEET 4 OF 15  
S-2  
SECOND FLOOR FRAMING PLAN



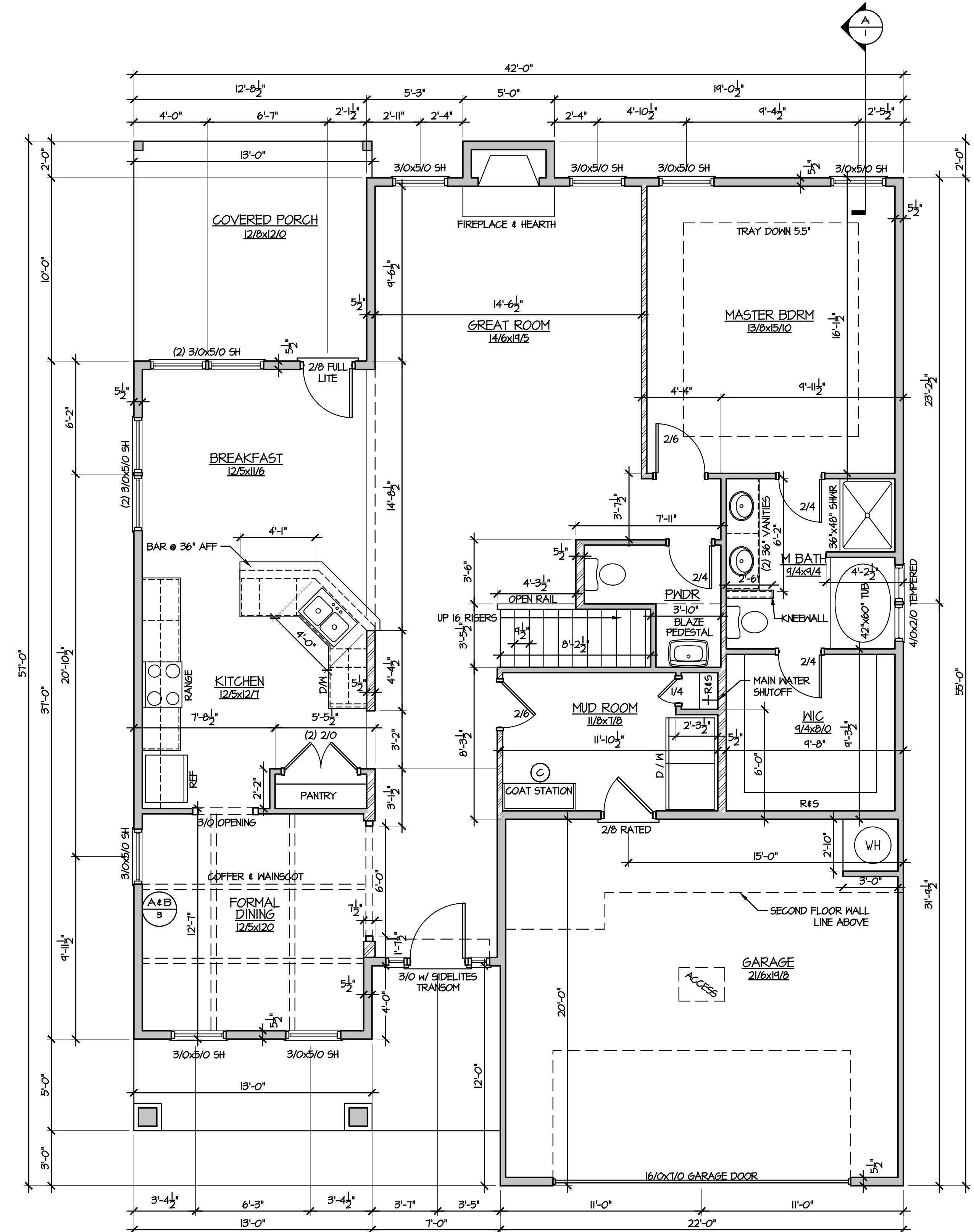
**FIELD NOTES**



**C PERSPECTIVE**  
NOT TO SCALE



**2 SECOND FLOOR PLAN**  
1/4" = 1'-0"



**1 FIRST FLOOR PLAN**  
1/4" = 1'-0"

\*\*\* ALL GARAGE PORTAL WALLS TO BE FRAMED WITH 2x6 STUDS

© 2018 Caviness & Cates

639 Executive Place  
Suite 400  
Fayetteville, NC 28305  
Office: 910-481-0503  
Sales: 910-240-4210  
Fax: 910-481-0585



TODD TUCKER 34 - 156  
FORTIFIED-WISE™  
PROFESSIONAL  
910-824-1474

PLAN NUMBER:  
**THE GRANVILLE "C"**  
SHEET TITLE:  
**FLOOR PLANS**

PLAN NO:  
**CC 2680**

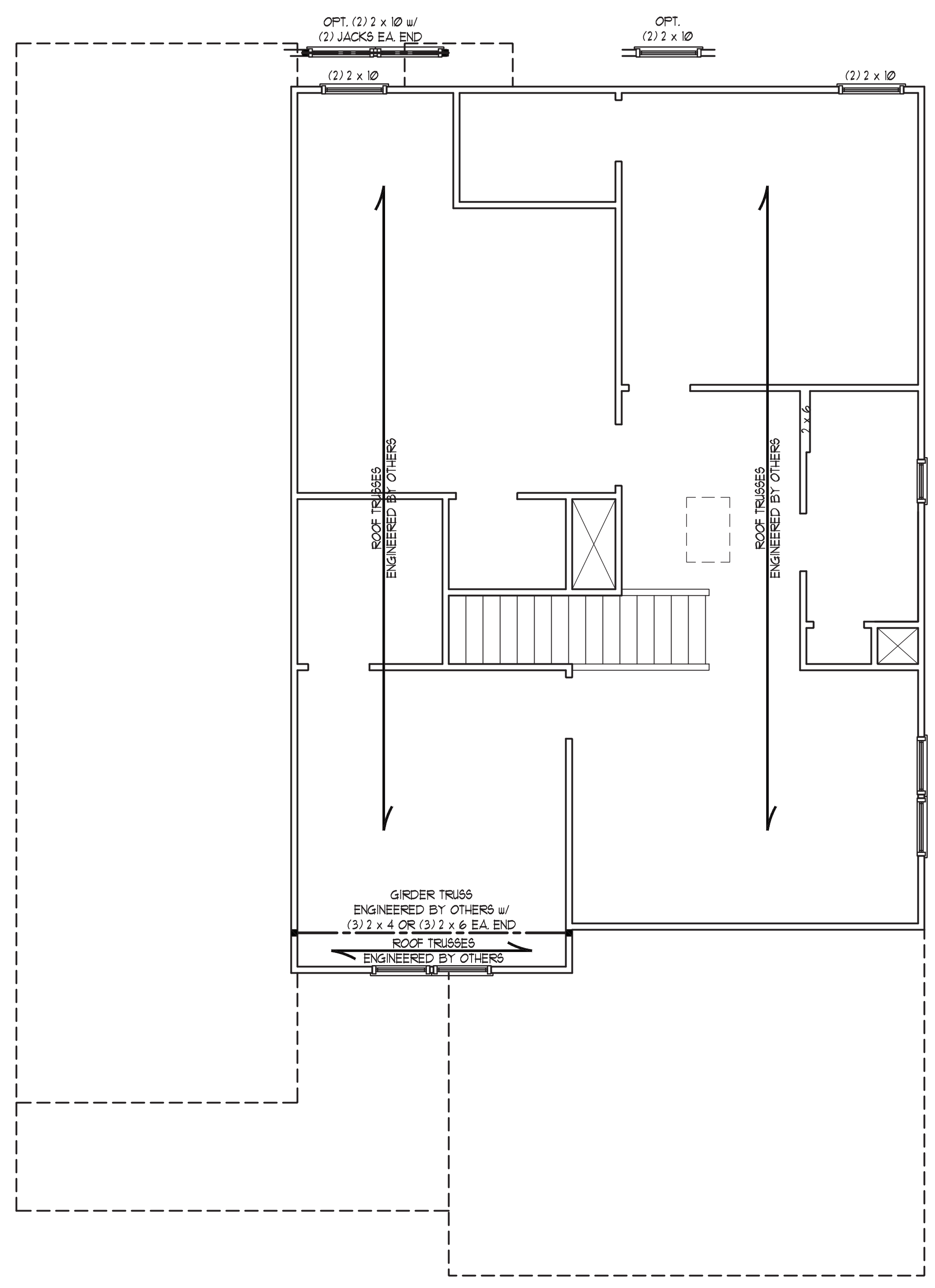
DATE:  
**AUGUST 2019**

REVISIONS:


SHEET NO.:

**3**  
LOT AC204





**\*NOTE: ALL EXTERIOR WALLS AND ATTIC WALLS ARE TO BE 2 x 4 @ 16" O.C. MIN. (UNO). 2 x 6 @ 24" O.C. EXTERIOR WALLS MAY BE CONSTRUCTED IN LIEU OF 2 x 4 WALLS (UNO). ALL INTERIOR LOAD BEARING WALLS ARE TO BE 2 x 4 @ 16" O.C. (UNO) AND NON-LOAD BEARING INTERIOR WALLS ARE TO BE 2 x 4 @ 24" O.C. (UNO).**

- BRACED WALL DESIGN NOTES:**
- BRACED WALL DESIGN PER SECTION R602.10 OF THE NRC 2018 EDITION.
  - CS-USP REFERS TO "CONTINUOUS SHEATHING - WOOD STRUCTURAL PANELS" CONTRACTOR IS TO INSTALL 1/16" OSB ON ALL EXTERIOR WALLS ATTACHED w/ 8d NAILS SPACED 6" O.C. ALONG PANEL EDGES AND 12" O.C. IN THE FIELD.
  - GB REFERS TO "GYPSUM BOARD" CONTRACTOR IS TO INSTALL 1/2" (MIN.) GYPSUM WALL BOARD WHERE NOTED ON THE PLANS. FASTEN GB WITH 1 1/4" SCREWS OR 1 5/8" NAILS SPACED 1" O.C. ALONG PANEL EDGES AND IN THE FIELD INCLUDING TOP AND BOTTOM FLATES.
  - BRACED WALL DESIGN APPLIED IN WIND ZONES UP TO 130 MPH. FOR HIGH WIND ZONES BRACE WALLS ARE TO BE CONSTRUCTED IN ACCORDANCE WITH CHAPTER 45 OF THE NRC 2018 EDITION. SEE NOTES AND DETAIL SHEETS FOR ADDITIONAL BRACED WALL INFORMATION.

- NOTE:**
- PER SECTION R602.10.3.2 OF THE 2018 NRC, THE AMOUNT OF BRACING ON THE SECOND FLOOR EXCEEDS THE AMOUNT REQUIRED FOR THE FIRST FLOOR AND NO BRACED WALL ANALYSIS IS REQUIRED.
  - SHEATH ALL EXTERIOR WALLS WITH 1/16" OSB SHEATHING ATTACHED WITH 8d NAILS AT 6" O.C. ALONG PANEL EDGES AND 12" O.C. IN THE FIELD.

TABLE R602.15  
MINIMUM NUMBER OF FULL HEIGHT STUDS  
AT EACH END OF HEADERS IN EXTERIOR WALLS

MAXIMUM STUD SPACING (INCHES) (PER TABLE R602.3.5)	HEADER SPAN (FEET)
24	16
1	UP TO 3'
1	4'
2	8'
3	12'
4	16'

- STRUCTURAL NOTES:**
- ALL FRAMING LUMBER TO BE #2 SFF (UNO).
  - ALL LOAD BEARING HEADERS TO BE (2) 2 x 6 (UNO).
  - WINDOW AND DOOR HEADERS TO BE SUPPORTED w/ (1) JACK STUD AND (1) KING STUD EA. END (UNO). SEE TABLE R602.15 FOR ADDITIONAL KING STUD REQUIREMENTS.
  - SQUARES DENOTE POINT LOADS WHICH REQUIRE SOLID BLOCKING TO GIRDER OR FOUNDATION. SQUARES TO BE (2) STUDS (UNO).
  - FOR HIGH WIND ZONES, ALL EXTERIOR WALLS TO BE SHEATHED WITH 1/16" OSB SHEATHING WITH JOINTS BLOCKED AND SECURED WITH 8d NAILS AT 3" O.C. ALONG EDGES AND 6" O.C. IN THE FIELD.
  - FOR HIGH WIND ZONES, SECURE ALL EXTERIOR WALL SHEATHING PANELS TO DOUBLE TOP PLATES, BANDS, JOISTS, AND GIRDERS WITH (2) ROWS OF 8d NAILS STAGGERED AT 3" O.C. PANELS SHALL EXTEND 12" BEYOND CONSTRUCTION JOINTS AND SHALL OVERLAP GIRDERS AND DOUBLE SILL PLATES THEIR FULL DEPTH.
  - SPECIFIED SIMPSON STRONG-TIE PRODUCTS MAY BE SUBSTITUTED WITH THOSE MANUFACTURED BY USP STRUCTURAL CONNECTORS PROVIDED THAT THE LOAD CAPACITY AND FUNCTION IS EQUIVALENT.
  - REFER TO NOTES AND DETAIL SHEETS FOR ADDITIONAL STRUCTURAL INFORMATION.

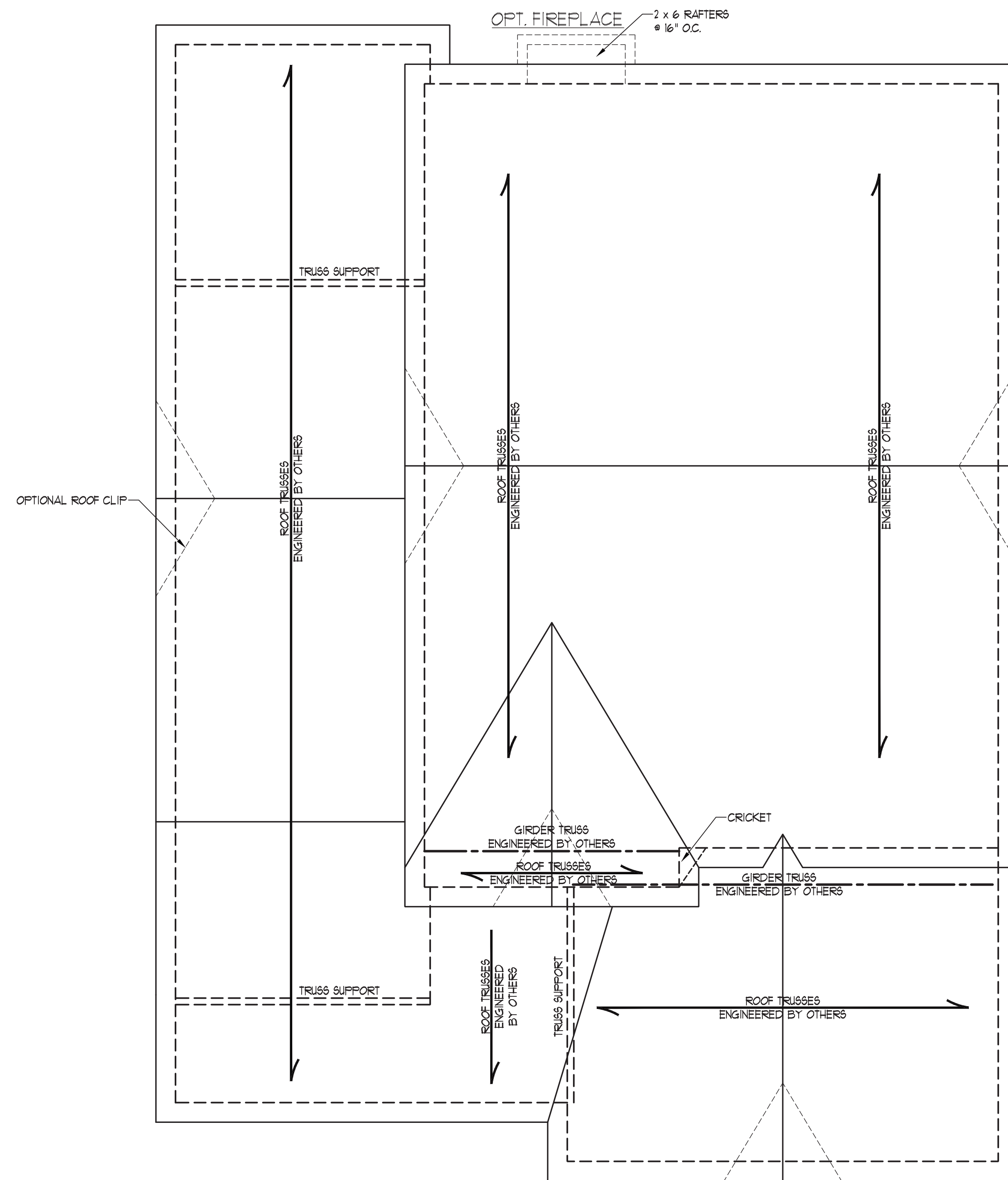
**J.S. THOMPSON  
ENGINEERING, INC**  
606 WADE AVE., SUITE 104 RALEIGH, NC 27605  
PHONE: (919) 789-9919 FAX: (919) 789-9921  
N.C. LICENSE NO.: C-1733

CC 2680  
CAVINESS & CATES

DATE: MARCH 26, 2021  
SCALE: 1/4" = 1'-0"  
DRAWN BY: TT  
ENGINEERED BY: JAG

SHEET 5 OF 15  
S-3  
ATTIC FLOOR  
FRAMING PLAN

SEAL  
33736  
ENGINEER  
MATTHEW G. STROTHER  
3/30/2021



- STRUCTURAL NOTES:**
1. ALL FRAMING LUMBER TO BE #2 SFF (INO).
  2. FRAME DORMER WALLS ON TOP OF DOUBLE OR TRIPLE RAFTERS.
  3. STICK FRAME OVER-FRAMED ROOF SECTIONS W/ 2 x 8 RIDGES, 2 x 6 RAFTERS @ 16" O.C. AND FLAT 2 x 10 VALLEYS OR USE VALLEY TRUSSES.
  4. FASTEN FLAT VALLEYS TO RAFTERS OR TRUSSES WITH SIMPSON 425A HURRICANE TIES @ 32" O.C. MAX. PASS HURRICANE TIES THROUGH NOTCH IN ROOF SHEATHING. EACH RAFTER IS TO BE FASTENED TO THE FLAT VALLEY WITH A MIN. OF (6) 12d TOE NAILS.
  5. REFER TO SECTION R802.11 OF THE 2018 NRC FOR REQUIRED UPLIFT RESISTANCE AT RAFTERS AND TRUSSES.
  6. REFER TO NOTES AND DETAIL SHEETS FOR ADDITIONAL STRUCTURAL INFORMATION.

**J.S. THOMPSON  
 ENGINEERING, INC**  
 606 WADE AVE., SUITE 104 RALEIGH, NC 27605  
 PHONE: (919) 789-9919 FAX: (919) 789-9921  
 N.C. LICENSE NO.: C-1733

CC 2680  
 CAVINESS & CATES

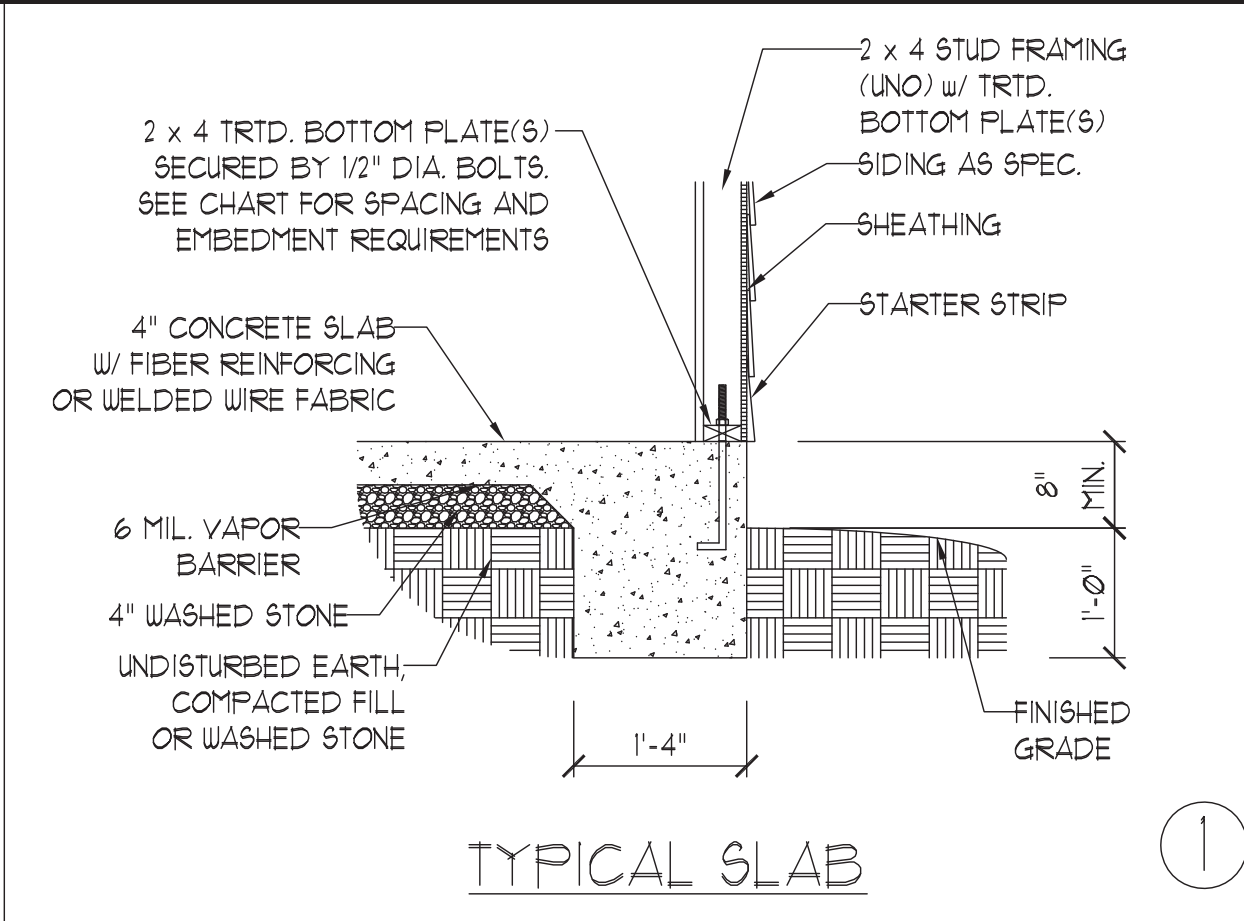
DATE: MARCH 26, 2021  
 SCALE: 1/4" = 1'-0"  
 DRAWN BY: TT  
 ENGINEERED BY: JAG



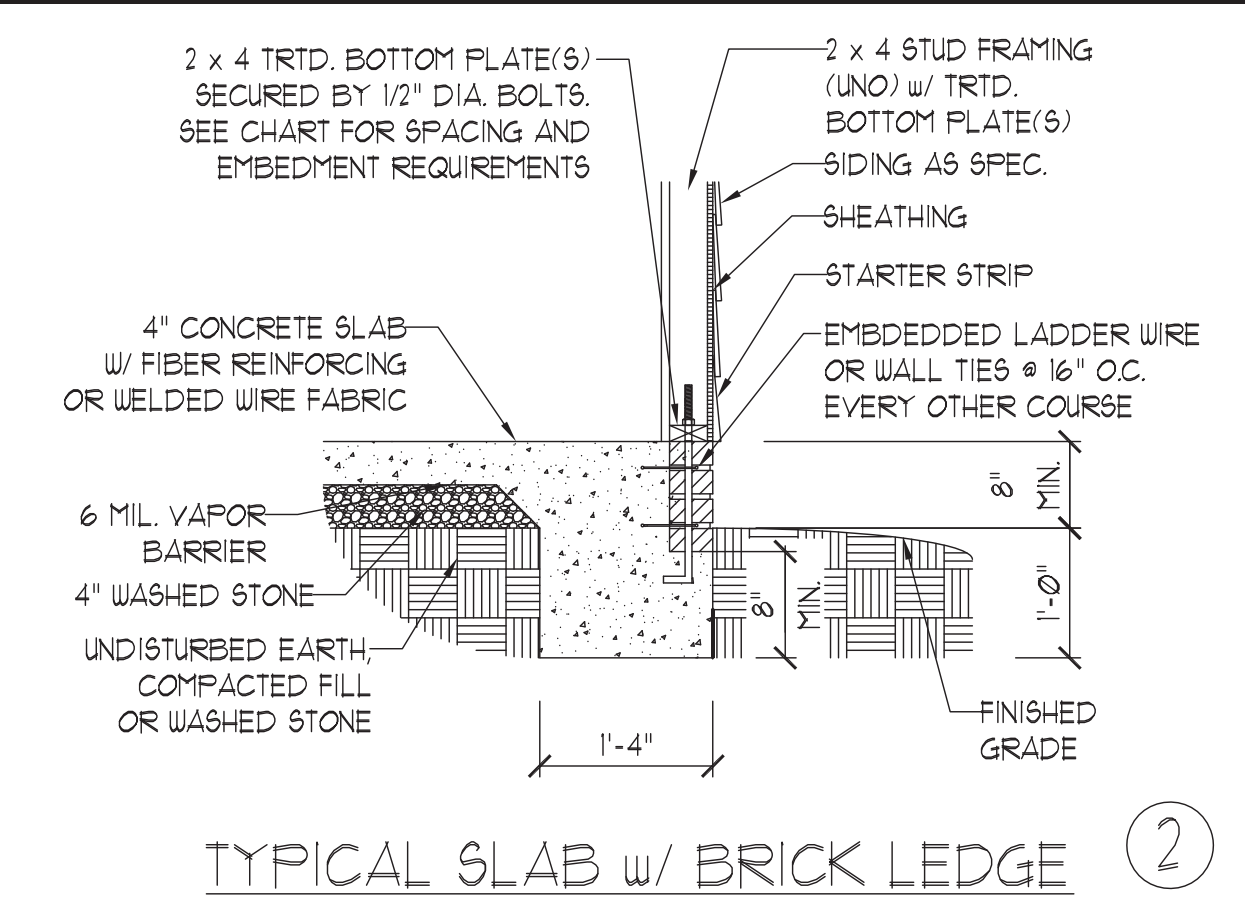
SHEET 6 OF 15  
**S4a**  
 ROOF FRAMING  
 PLAN

3/30/2021

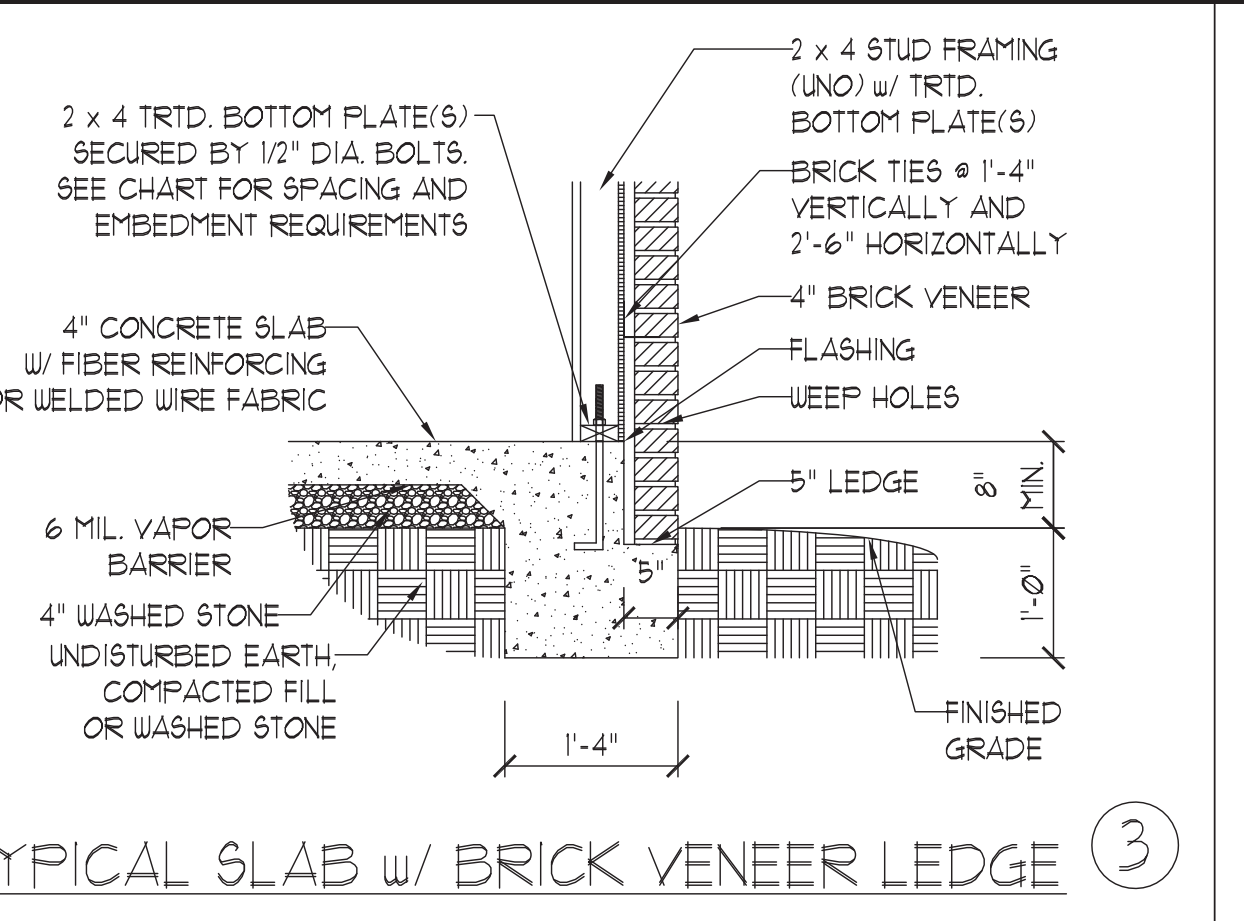




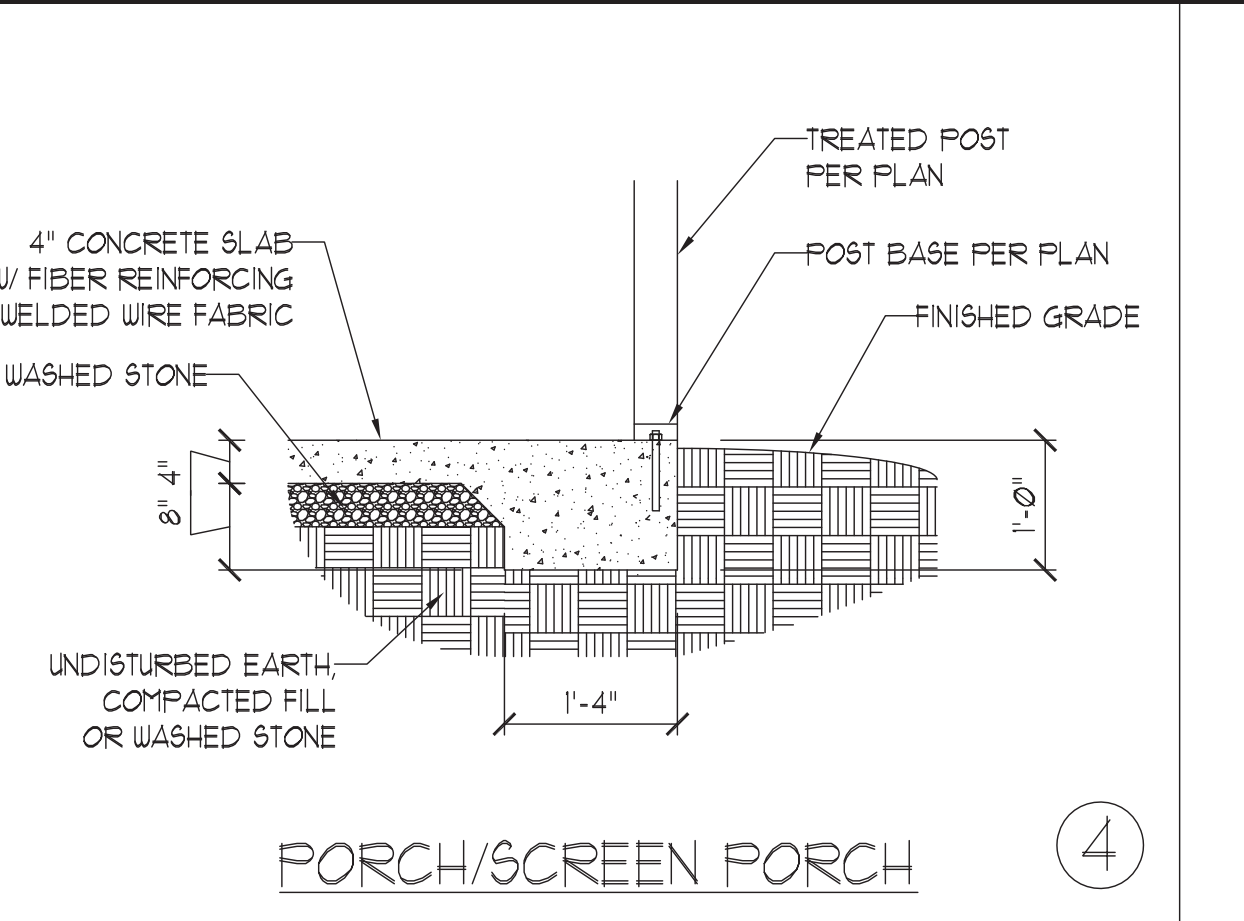
TYPICAL SLAB ①



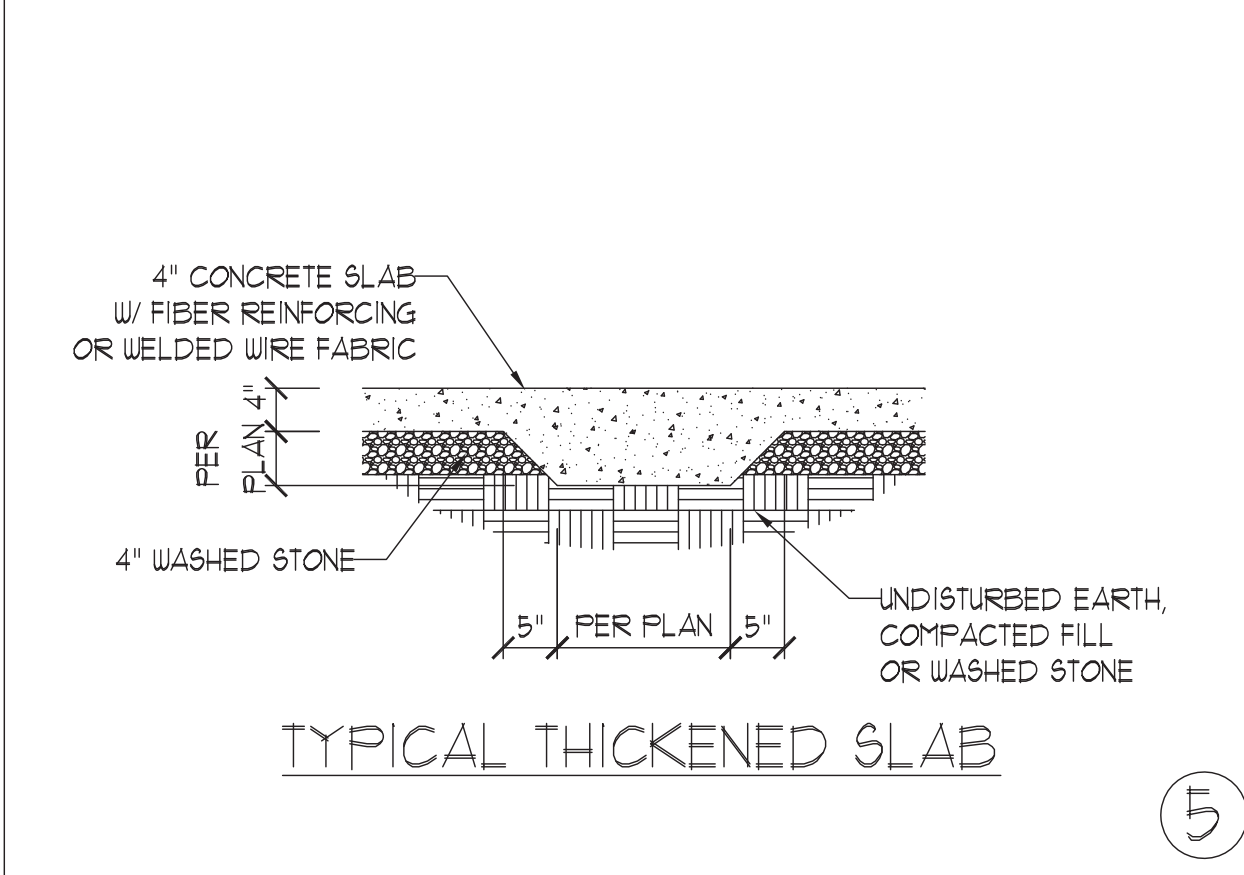
TYPICAL SLAB w/ BRICK LEDGE ②



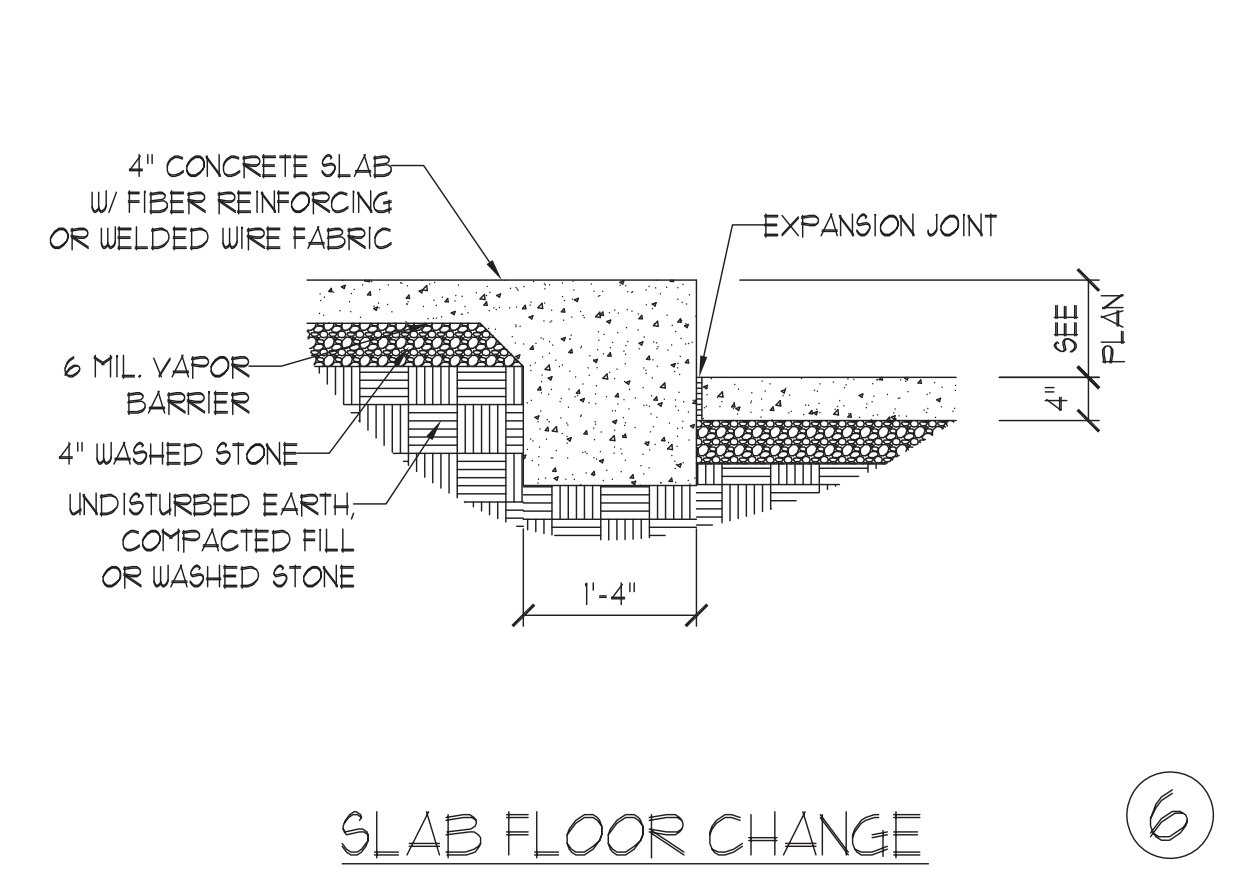
TYPICAL SLAB w/ BRICK VENEER LEDGE ③



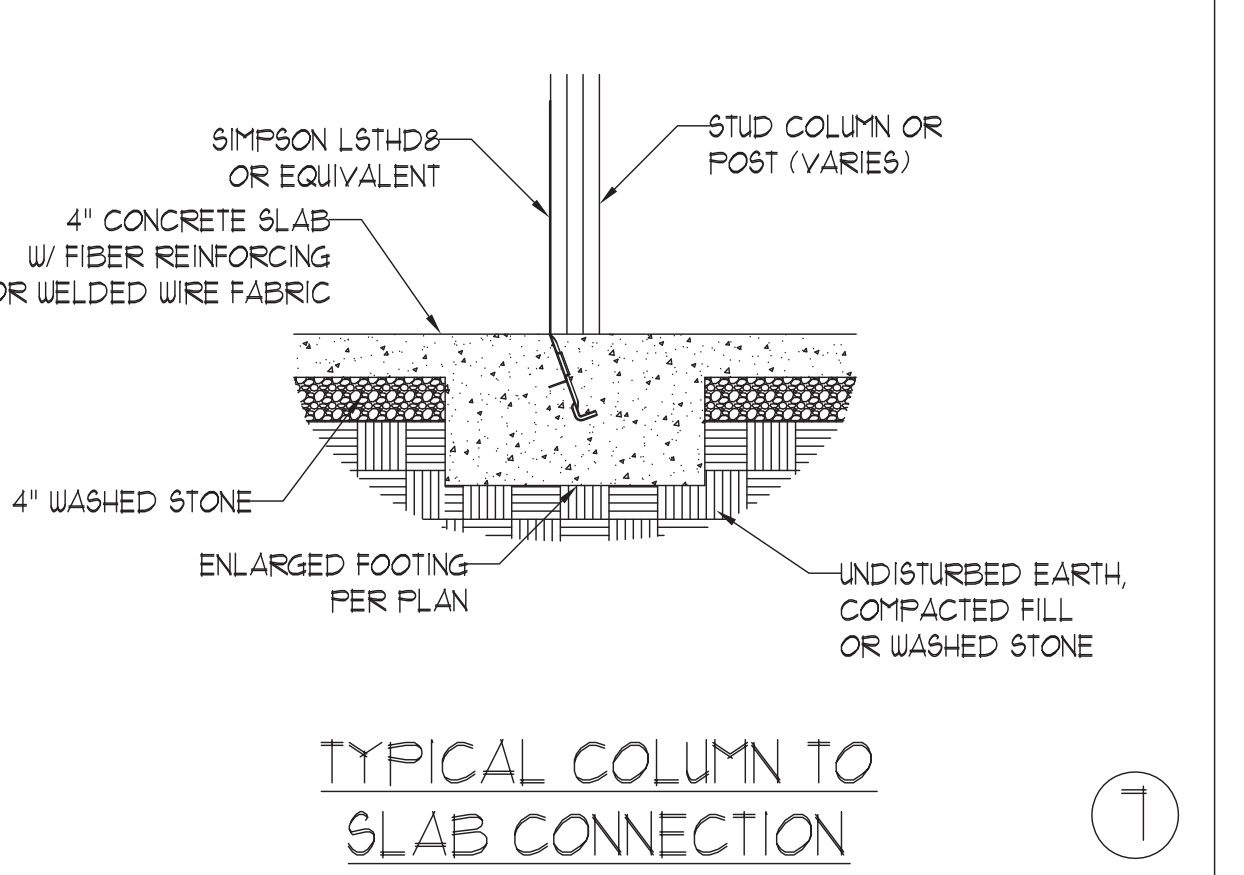
PORCH/SCREEN PORCH ④



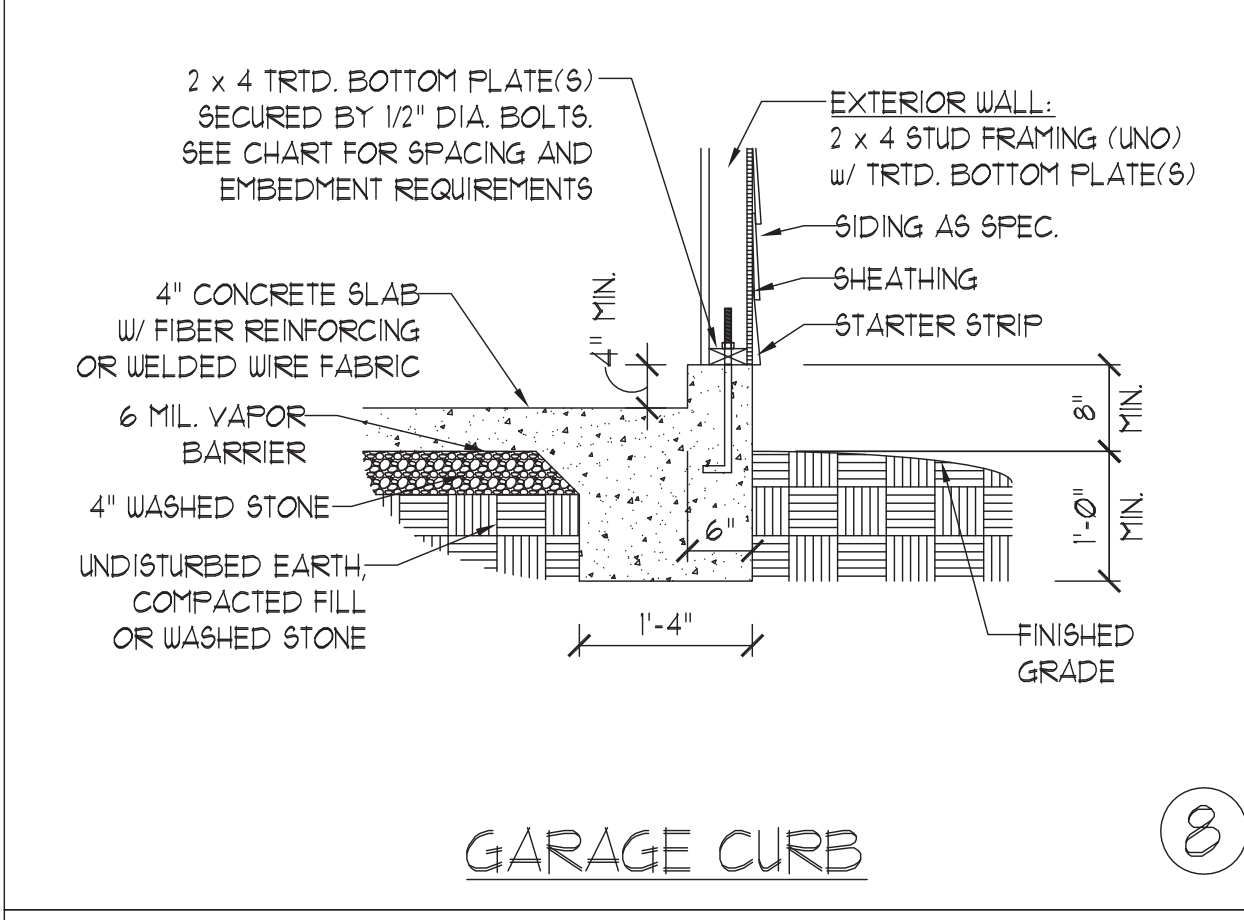
TYPICAL THICKENED SLAB ⑤



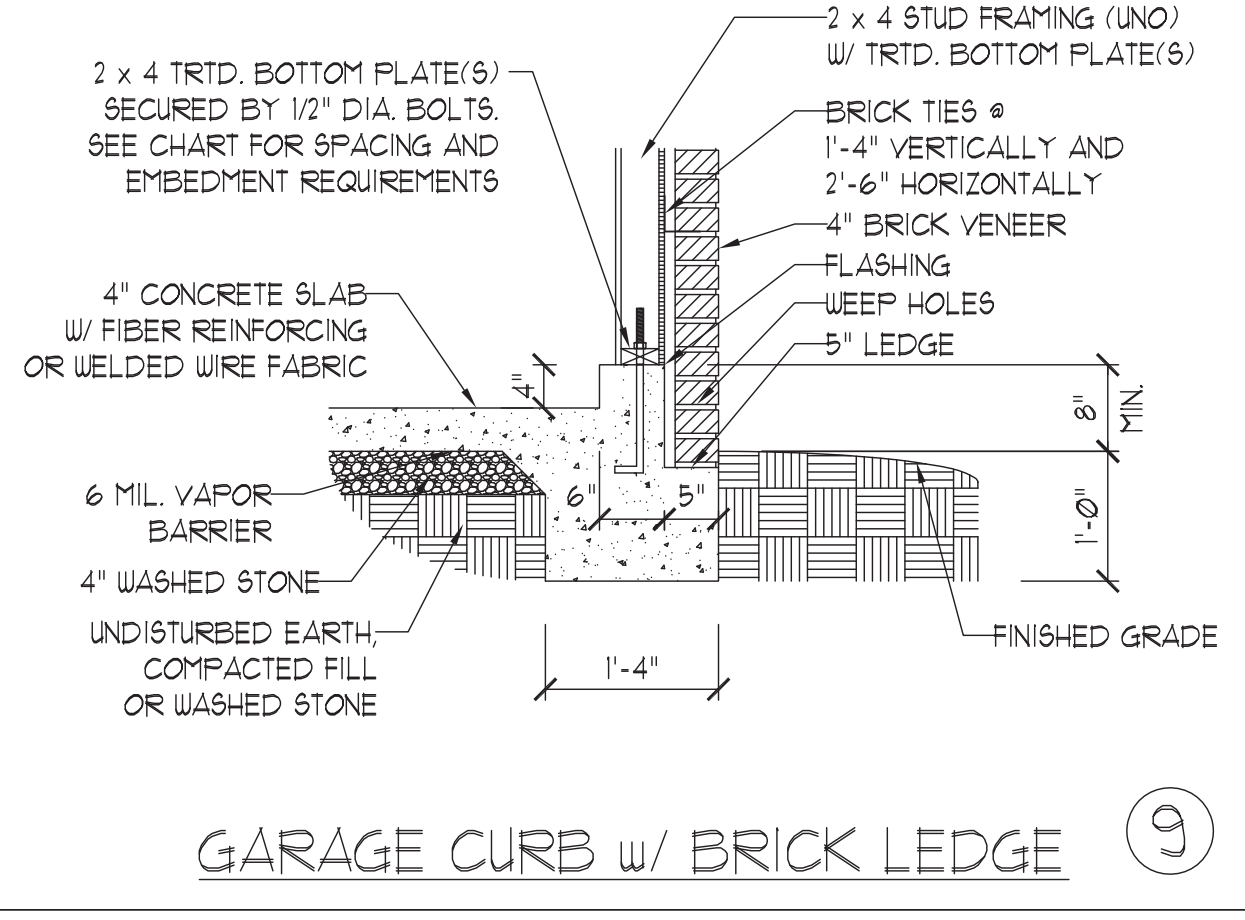
SLAB FLOOR CHANGE ⑥



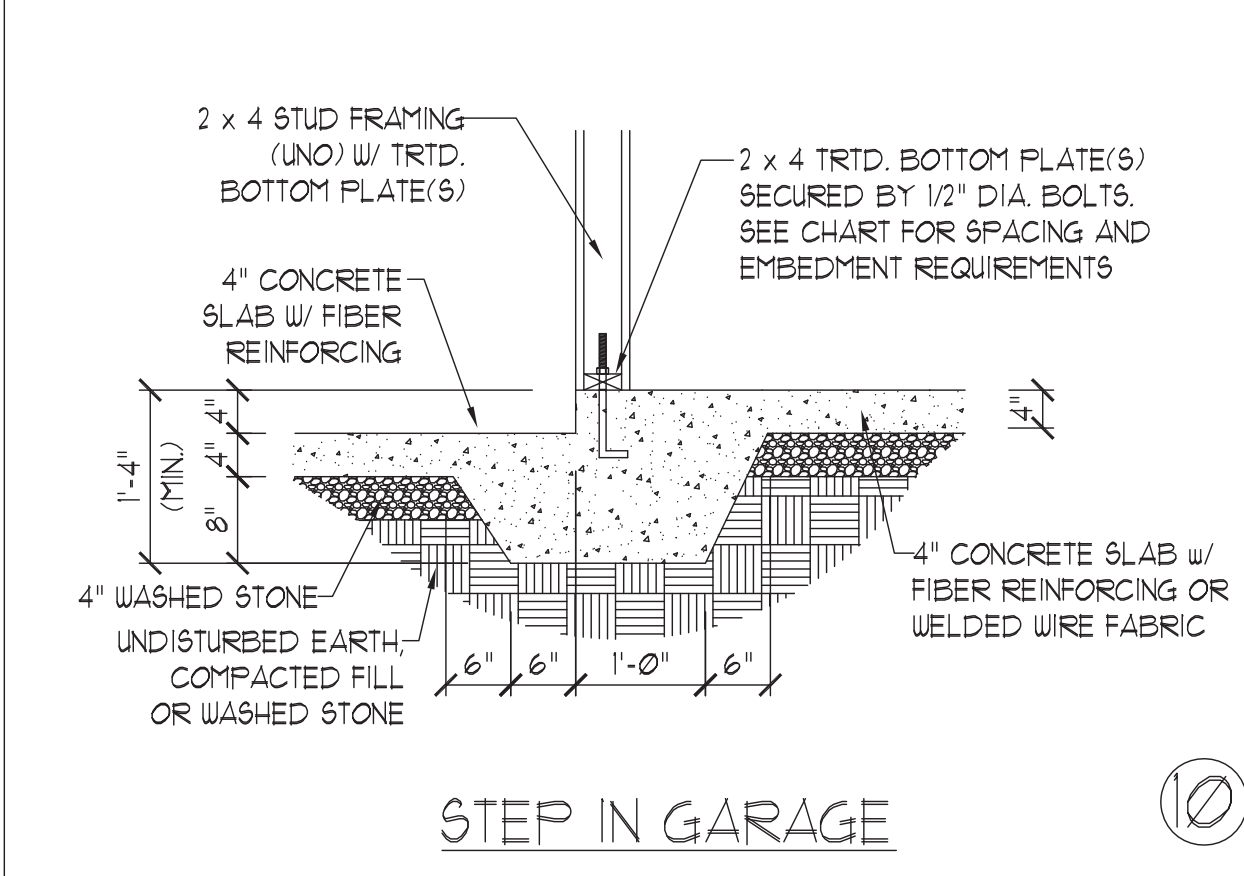
TYPICAL COLUMN TO SLAB CONNECTION ⑦



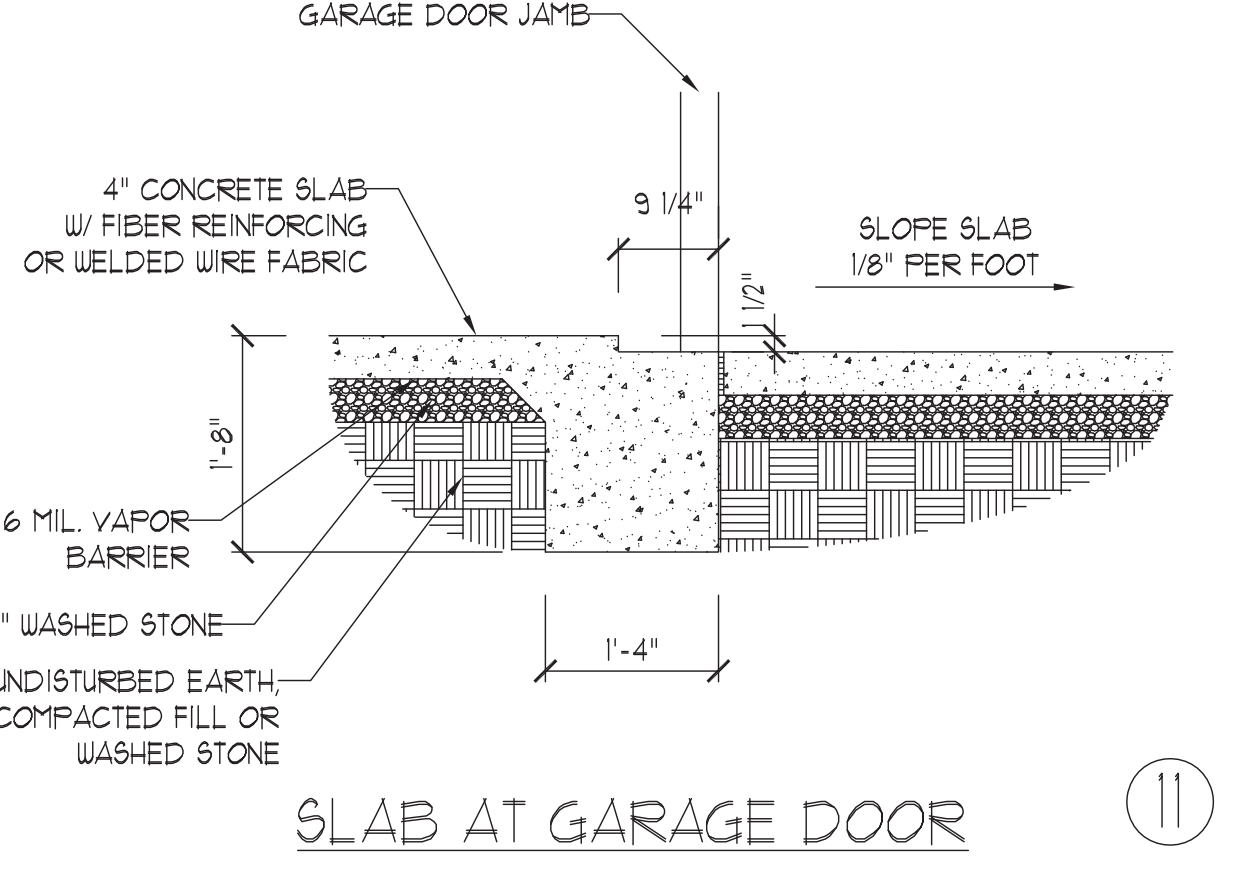
GARAGE CURB ⑧



GARAGE CURB w/ BRICK LEDGE ⑨



STEP IN GARAGE ⑩



SLAB AT GARAGE DOOR ⑪

ANCHOR SPACING AND EMBEDMENT		
WIND ZONE	120 MPH	130 MPH
SPACING	6'-0" O.C. INSTALL MIN. (2) ANCHORS PER PLATE SECTION AND (1) ANCHOR WITHIN 12" OF CORNERS	4'-0" O.C. INSTALL MIN. (2) ANCHORS PER PLATE SECTION AND (1) ANCHOR WITHIN 12" OF CORNERS
EMBEDMENT	7"	15" INTO MASONRY 7" INTO CONCRETE

NOTE:  
THREADED ROD WITH EPOXY, SIMPSON TITEN HD, OR APPROVED ANCHORS SPACED AS REQUIRED TO PROVIDE EQUIVALENT ANCHORAGE TO 1/2" DIAMETER ANCHOR BOLTS MAY BE USED IN LIEU OF 1/2" ANCHOR BOLTS.

**J.S. THOMPSON ENGINEERING, INC.**  
606 WADE AVE., SUITE 104 RALEIGH, NC 27605  
PHONE: (919) 789-9919 FAX: (919) 789-9921  
N.C. LICENSE NO.: C-1733

MONOLITHIC SLAB FOUNDATION DETAILS

SEAL 33736  
ENGINEER  
MATTHEW G. STROTHER  
3/30/2021

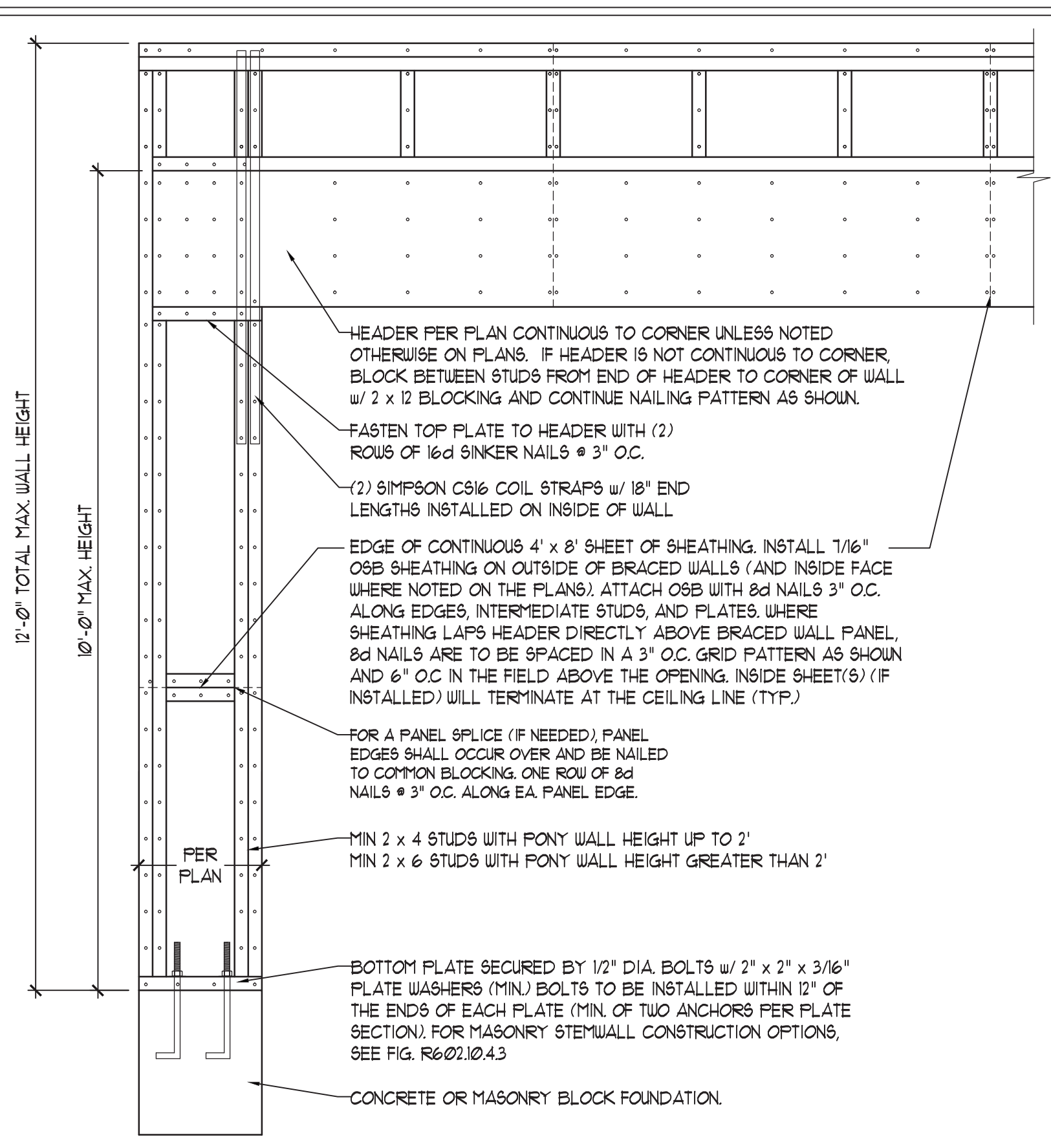
DATE: NOVEMBER 1, 2018  
SCALE: NTS  
DRAWN BY: JST  
ENGINEERED BY: JST

This sealed page is to be used in conjunction with a full plan set engineered by J.S. Thompson Engineering, Inc. only. Use of this individual sealed page within architectural pages or shop drawings by others is a punishable offense under N.C. Statute § 89C-23

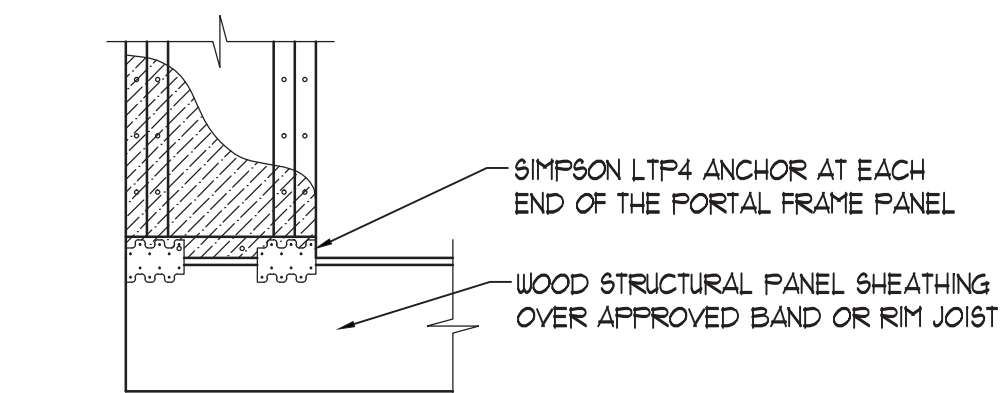
FOUNDATION DETAILS

**GENERAL WALL BRACING NOTES:**

1. WALL BRACING DESIGNED IN ACCORDANCE WITH CHAPTER 6 OF THE 2018 NC RESIDENTIAL BUILDING CODE (NRC). TABLES AND FIGURES REFERENCED ARE FROM THE 2018 NRC.
2. SEE THIS SHEET FOR GENERAL DETAILS. REFER TO THE 2018 NRC FOR ADDITIONAL INFORMATION AS NEEDED.
3. SEE STRUCTURAL SHEETS FOR BRACED WALL LOCATIONS, DIMENSIONS, HOLD DOWN TYPE AND LOCATIONS, BRACED WALL LINE KEY WITH WALL DESIGN SUMMARY OF REQUIRED/PROVIDED TOTALS FOR EACH WALL LINE AND ANY SPECIAL NOTES OR REQUIREMENTS.
4. ALL EXTERIOR WALLS ARE TO BE SHEATHED WITH CS-USP IN ACCORDANCE WITH SECTION R602.10.3 UNLESS NOTED OTHERWISE.
5. ALL EXTERIOR AND INTERIOR WALLS TO HAVE 1/2" GYPSUM INSTALLED. WHEN NOT USING METHOD "GB", GYPSUM TO BE FASTENED PER TABLE R702.3.5. METHOD GB TO BE FASTENED PER TABLE R602.10.1.
6. CS-USP REFERS TO THE "CONTINUOUS SHEATHING - WOOD STRUCTURAL PANELS" WALL BRACING METHOD. 1/16" OSB SHEATHING IS TO BE INSTALLED ON ALL EXTERIOR WALLS ATTACHED w/ 6d COMMON NAILS OR 8d (2 1/2" LONG x 0.13" DIAMETER) NAILS SPACED 6" O.C. ALONG PANEL EDGES AND 12" O.C. IN THE FIELD (UNO).
7. GB REFERS TO THE "GYPSUM BOARD" WALL BRACING METHOD. 1/2" (MIN) GYPSUM WALL BOARD IS TO BE INSTALLED ON BOTH SIDES OF THE BRACED WALL FASTENED WITH 1 1/4" SCREWS OR 1 5/8" NAILS SPACED 1" O.C. ALONG PANEL EDGES INCLUDING TOP AND BOTTOM PLATES AND INTERMEDIATE SUPPORTS (UNO). VERIFY ALL FASTENER OPTIONS FOR 1/2" AND 5/8" GYPSUM PRIOR TO CONSTRUCTION. FOR INTERIOR FASTENER OPTIONS SEE TABLE R702.3.5. FOR EXTERIOR FASTENER OPTIONS SEE TABLE R602.3(1). EXTERIOR GB TO BE INSTALLED VERTICALLY.
8. REQUIRED BRACED WALL LENGTH FOR EACH SIDE OF THE CIRCUMSCRIBED RECTANGLE ARE INTERPOLATED PER TABLE R602.10.3. METHOD CS-USP CONTRIBUTES ITS ACTUAL LENGTH, METHOD GB CONTRIBUTES 5 ITS ACTUAL LENGTH, AND METHOD PF CONTRIBUTES 15 TIMES ITS ACTUAL LENGTH.

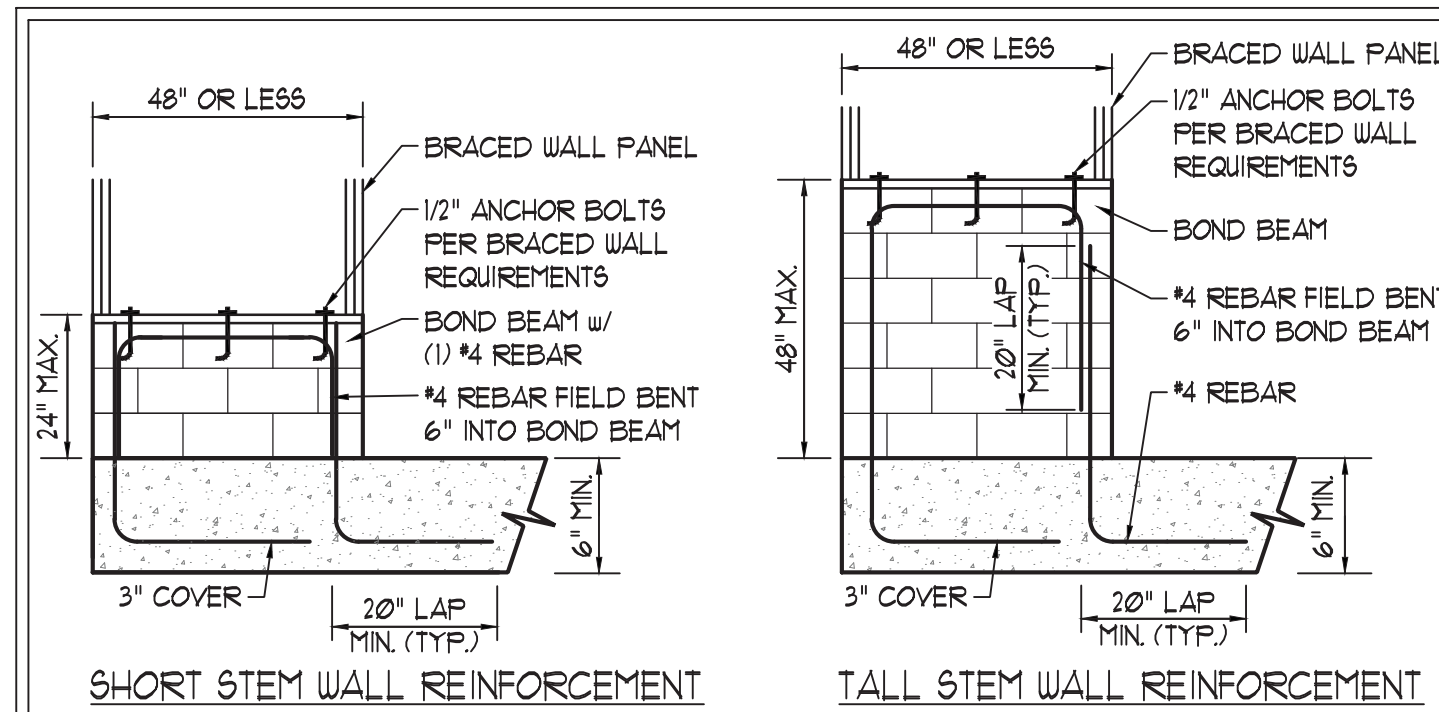


OVER CONCRETE OR MASONRY BLOCK FOUNDATION



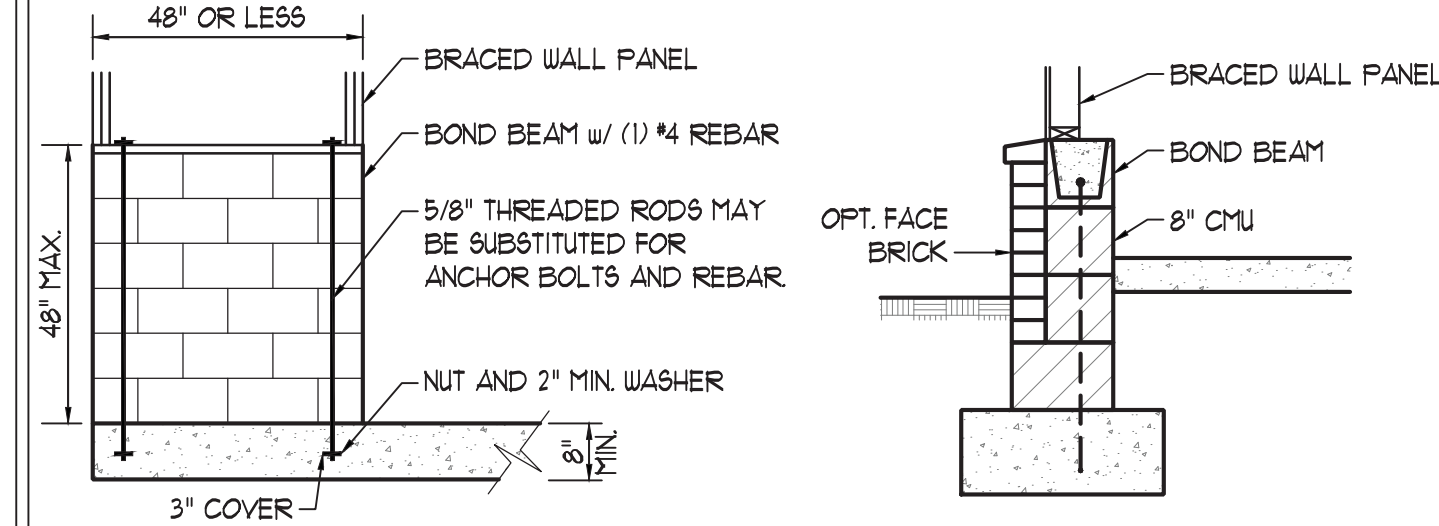
OVER RAISED WOOD FLOOR - FRAMING ANCHOR OPTION  
 \* APPLICABLE w/ GREATER THAN 12" KNEE WALL HEIGHTS IN CRAWL SPACE AND ABOVE FRAMED BASEMENT WALLS \*

**METHOD PF-PORTAL FRAME DETAIL ①**



SHORT STEM WALL REINFORCEMENT

TALL STEM WALL REINFORCEMENT



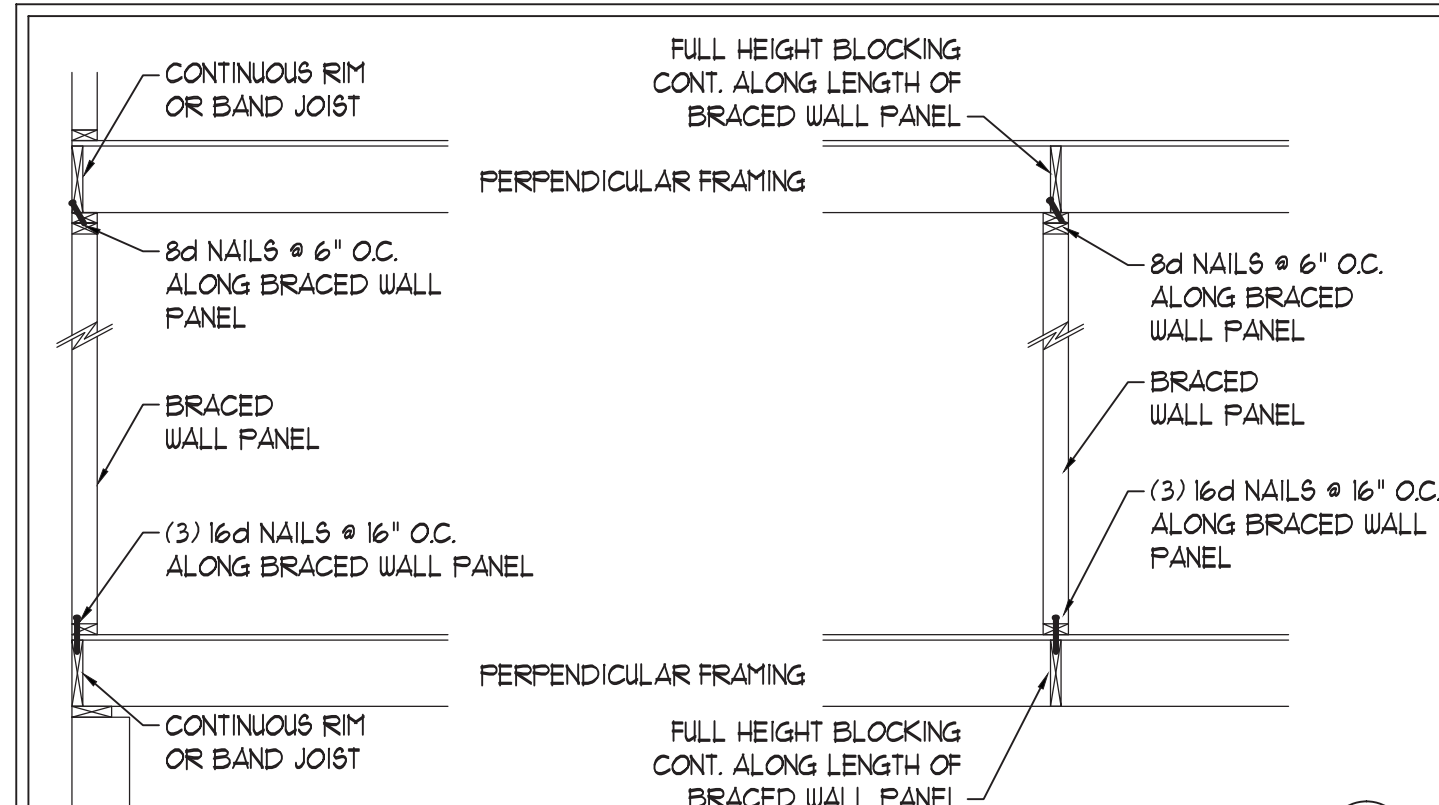
OPTIONAL STEM WALL REINFORCEMENT

TYPICAL STEM WALL SECTION

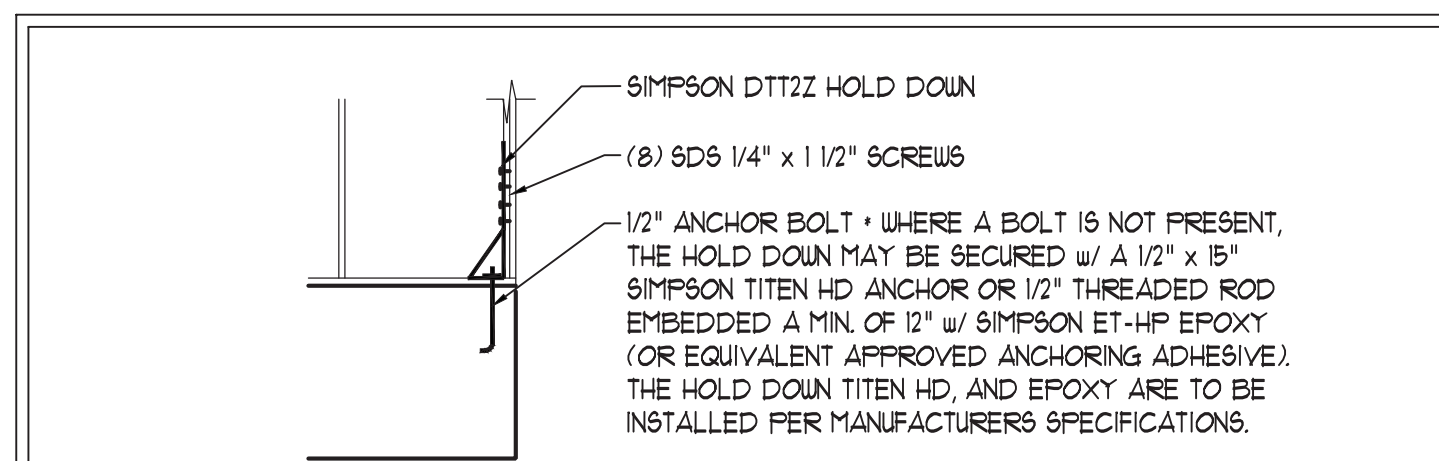
RODS MAY BE INSTALLED USING AN ADHESIVE ANCHORING SYSTEM WITH A MINIMUM TENSILE CAPACITY OF 3150 LBS AND INSTALLED IN ACCORDANCE WITH MANUFACTURER'S SPECS.

**NOTE: GROUT BOND BEAMS AND ALL CELLS WHICH CONTAIN REBAR, THREADED RODS AND ANCHOR BOLTS**

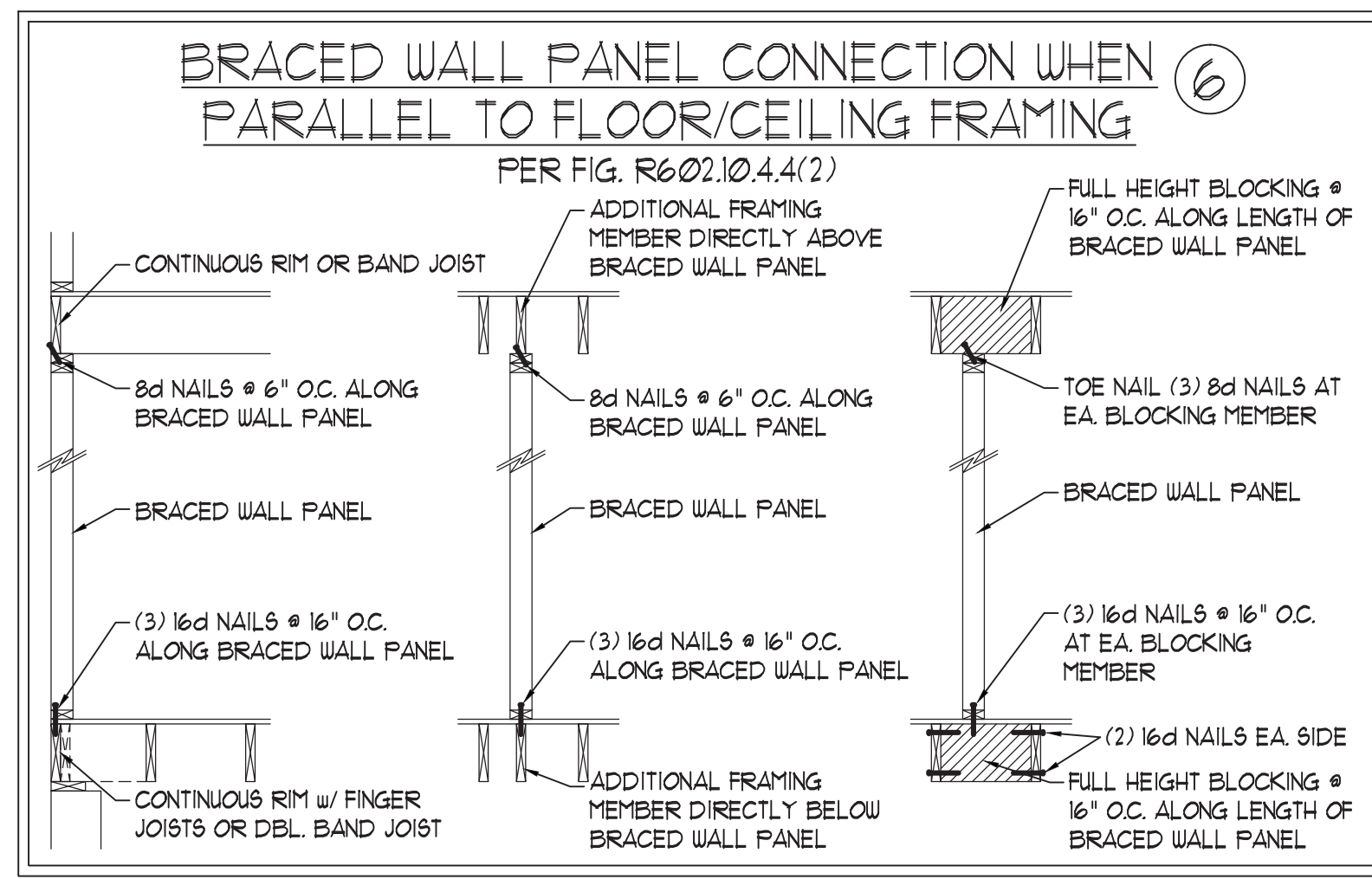
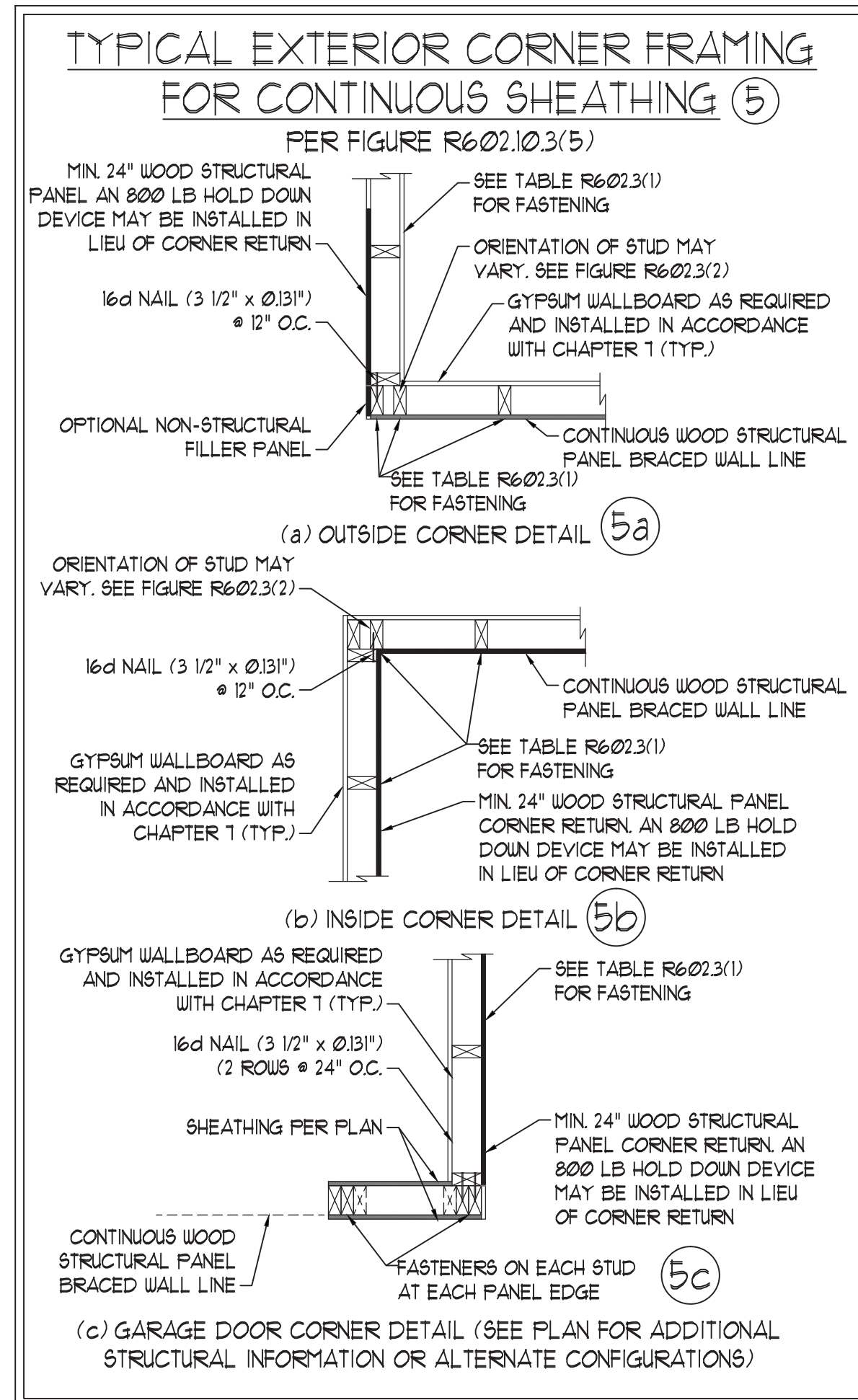
**MASONRY STEM WALLS SUPPORTING BRACED WALL PANELS ②**  
 PER FIGURE R602.10.4.3



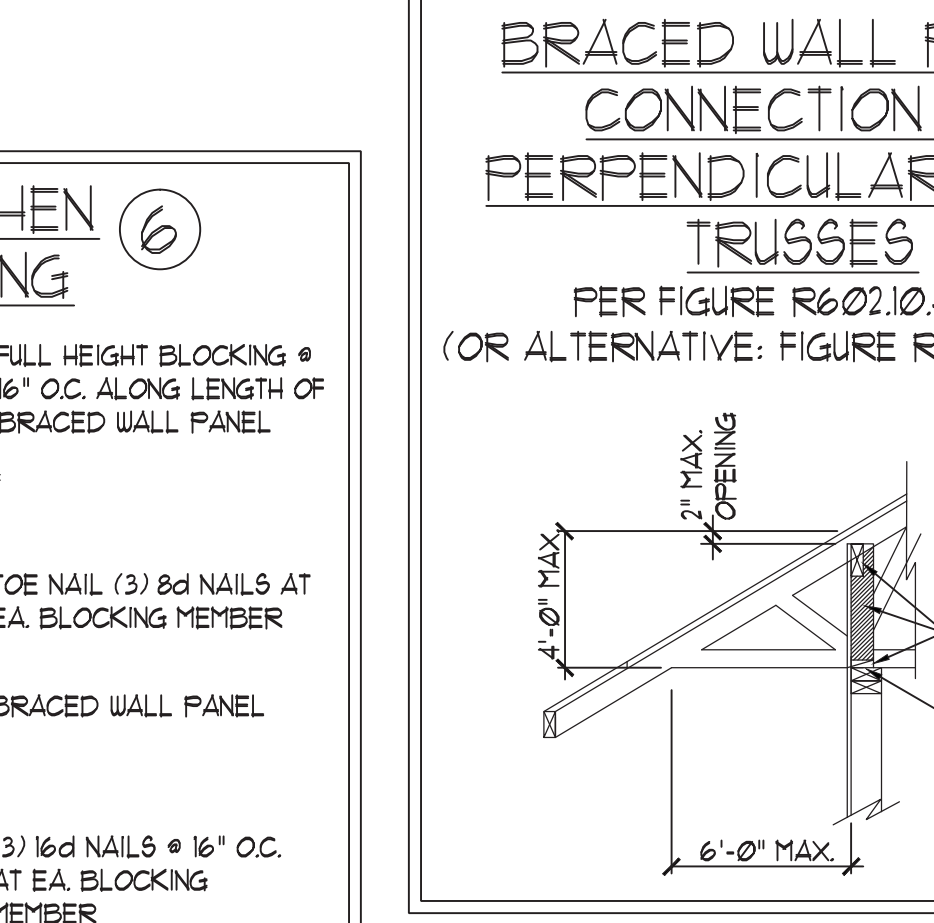
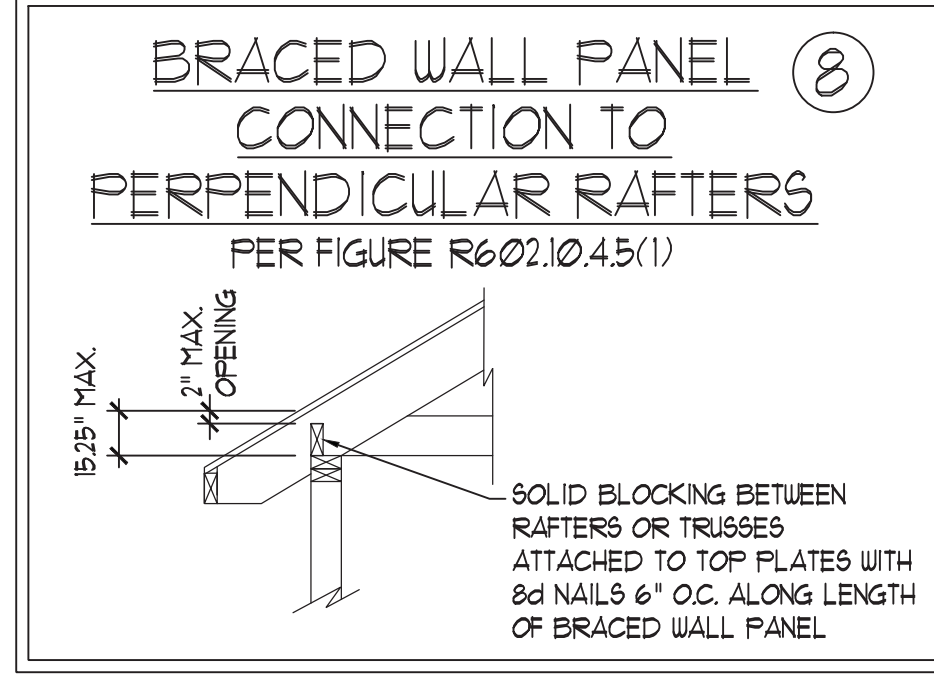
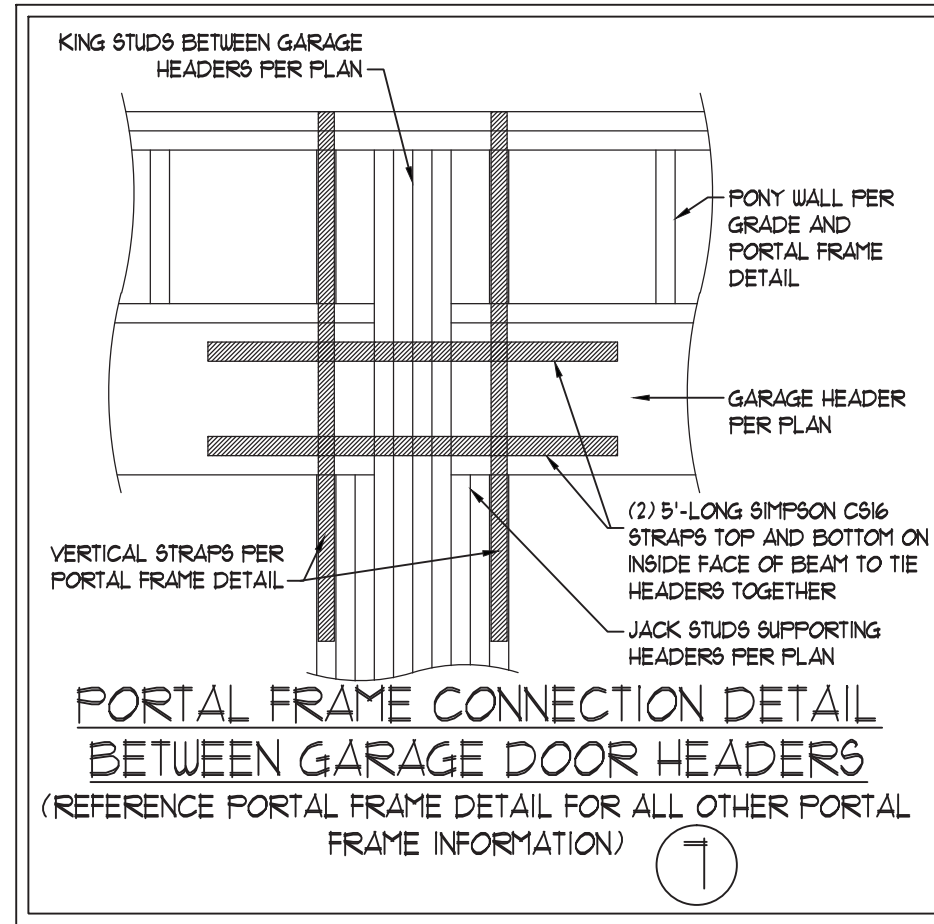
**BRACED WALL PANEL CONNECTION WHEN ③**  
 PERPENDICULAR TO FLOOR/CEILING FRAMING  
 PER FIGURE R602.10.4.4(1)



**HOLD DOWN DETAIL FOR MASONRY FOUNDATION OR MONOLITHIC SLAB ④**  
 \* APPLICABLE ONLY WHERE SPECIFIED ON PLAN \*



This sealed page is to be used in conjunction with a full plan set engineered by J.S. Thompson Engineering, Inc. only. Use of this individual sealed page within architectural pages or shop drawings by others is a punishable offense under N.C. Statute § 89C-23



**J.S. THOMPSON ENGINEERING, INC.**  
 606 WADE AVE., SUITE 104 RALEIGH, NC 27605  
 PHONE: (919) 789-9919 FAX: (919) 789-9921  
 N.C. LICENSE NO.: C-1733

WALL BRACING NOTES AND DETAILS

DATE: OCTOBER 30, 2018  
 SCALE: 1/4" = 1'-0"  
 DRAWN BY: JST  
 ENGINEERED BY: JST



BRACED WALL NOTES AND DETAILS AND PF DETAIL

3/30/2021

GENERAL NOTES

- ENGINEER'S SEAL APPLIES ONLY TO STRUCTURAL COMPONENTS INCLUDING ROOF RAFTERS, HIPs, VALLEYS, RIDGES, FLOORS, WALLS, BEAMS, HEADERS, COLUMNS, CANTILEVERS, OFFSET LOAD BEARING WALLS, PIERS, GIRDER SYSTEM AND FOOTING. ENGINEER'S SEAL DOES NOT CERTIFY DIMENSIONAL ACCURACY OF ARCHITECTURAL LAYOUT INCLUDING ROOF. ENGINEER'S SEAL DOES NOT APPLY TO I-JOIST OR FLOOR/ROOF TRUSS LAYOUT DESIGN AND ACCURACY.
- ALL CONSTRUCTION SHALL CONFORM TO THE LATEST REQUIREMENTS OF THE NORTH CAROLINA RESIDENTIAL CODE (NRC) 2018 EDITION, PLUS ALL LOCAL CODES AND REGULATIONS. THE STRUCTURAL ENGINEER IS NOT RESPONSIBLE FOR, AND WILL NOT HAVE CONTROL OF, CONSTRUCTION MEANS, METHODS, TECHNIQUES, SEQUENCES OR PROCEDURES, OR SAFETY PRECAUTIONS AND PROGRAMS IN CONNECTION WITH THE CONSTRUCTION WORK. NOR WILL THE ENGINEER BE RESPONSIBLE FOR THE CONTRACTOR'S FAILURE TO CARRY OUT THE CONSTRUCTION WORK IN ACCORDANCE WITH THE CONTRACT DOCUMENTS.
- STRUCTURAL DESIGN BASED ON THE PROVISIONS OF THE NRC, 2018 EDITION (R301.4 - R301.7)

DESIGN CRITERIA:	LIVE LOAD (PSF)	DEAD LOAD (PSF)	DEFLECTION (IN)
ATTIC WITH LIMITED STORAGE	20	10	L/240 (L/360 w/ BRITTLE FINISHES)
ATTIC WITHOUT STORAGE	10	10	L/360
DECKS	40	10	L/360
EXTERIOR BALCONIES	40	10	L/360
FIRE ESCAPES	40	10	L/360
HANDRAILS/GUARDRAILS	200 LB OR 50 (PLF)	10	L/360
PASSENGER VEHICLE GARAGE	50	10	L/360
ROOMS OTHER THAN SLEEPING ROOM	40	10	L/360
SLEEPING ROOMS	30	10	L/360
STAIRS	40	10	L/360
WIND LOAD	(BASED ON TABLE R3012(4) WIND ZONE AND EXPOSURE)		
GROUND SNOW LOAD: P <sub>g</sub>	20 (PSF)		

- I-JOIST SYSTEMS DESIGNED WITH 12 PSF DEAD LOAD AND DEFLECTION (IN) OF L/480
  - FLOOR TRUSS SYSTEMS DESIGNED WITH 15 PSF DEAD LOAD
- FOR 115 AND 120 MPH WIND ZONES, FOUNDATION ANCHORAGE IS TO COMPLY WITH SECTION R403.1.6 OF THE NRC, 2018 EDITION. FOR 130 MPH, 140 MPH, AND 150 MPH WIND ZONES, FOUNDATION ANCHORAGE IS TO COMPLY WITH SECTION 450.4 OF THE NRC, 2018 EDITION.
  - ENERGY EFFICIENCY COMPLIANCE AND INSULATION VALUES OF THE BUILDING TO BE IN ACCORDANCE WITH CHAPTER 11 OF THE NRC, 2018 EDITION.

FOOTING AND FOUNDATION NOTES

- FOUNDATION DESIGN BASED ON A MINIMUM ALLOWABLE BEARING CAPACITY OF 2000 PSF. CONTACT GEOTECHNICAL ENGINEER IF BEARING CAPACITY IS NOT ACHIEVED.
- FOR ALL CONCRETE SLABS AND FOOTINGS, THE AREA WITHIN THE PERIMETER OF THE BUILDING ENVELOPE SHALL HAVE ALL VEGETATION, TOP SOIL AND FOREIGN MATERIAL REMOVED. FILL MATERIAL SHALL BE FREE OF VEGETATION AND FOREIGN MATERIAL. THE FILL SHALL BE COMPACTED TO ASSURE UNIFORM SUPPORT OF THE SLAB, AND EXCEPT WHERE APPROVED, THE FILL DEPTHS SHALL NOT EXCEED 24" FOR CLEAN SAND OR GRAVEL. A 4" THICK BASED COURSE CONSISTING OF CLEAN GRADED SAND OR GRAVEL SHALL BE PLACED. A BASE COURSE IS NOT REQUIRED WHERE A CONCRETE SLAB IS INSTALLED ON WELL-DRAINED OR SAND-GRAVEL MIXTURE SOILS CLASSIFIED AS GROUP 1, ACCORDING TO THE UNITED SOIL CLASSIFICATION SYSTEM IN ACCORDANCE WITH TABLE R405.1 OF THE NRC, 2018 EDITION.
- PROPERLY DEWATER EXCAVATION PRIOR TO POURING CONCRETE WHEN BOTTOM OF CONCRETE SLAB IS AT OR BELOW WATER TABLE. IF APPLICABLE, 3/4" - 1" DEEP CONTROL JOINTS ARE TO BE SAUED WITHIN 4 TO 12 HOURS OF CONCRETE FINISHING AND WALL LOCATIONS HAVE BEEN MARKED. ADJUST WHERE NECESSARY.
- CONCRETE SHALL CONFORM TO SECTION R402.2 OF THE NRC, 2018 EDITION. CONCRETE REINFORCING STEEL TO BE ASTM A615 GRADE 60. WELDED WIRE FABRIC TO BE ASTM A185. MAINTAIN A MINIMUM CONCRETE COVER AROUND REINFORCING STEEL OF 3" IN FOOTINGS AND 1 1/2" IN SLABS. FOR POURED CONCRETE WALLS, CONCRETE COVER FOR REINFORCING STEEL MEASURED FROM THE INSIDE FACE OF THE WALL SHALL NOT BE LESS THAN 3/4". CONCRETE COVER FOR REINFORCING STEEL MEASURED FROM THE OUTSIDE FACE OF THE WALL SHALL NOT BE LESS THAN 1 1/2" FOR #5 BARS OR SMALLER, AND NOT LESS THAN 2" FOR #6 BARS OR LARGER.
- MASONRY UNITS TO CONFORM TO ACE 530/ASCE 5/TMS 402. MORTAR SHALL CONFORM TO ASTM C270.
- THE UNSUPPORTED HEIGHT OF MASONRY PIERS SHALL NOT EXCEED FOUR TIMES THEIR LEAST DIMENSION FOR INFILLED HOLLOW CONCRETE MASONRY UNITS AND TEN TIMES THEIR LEAST DIMENSION FOR SOLID OR SOLID FILLED PIERS. PIERS MAY BE FILLED SOLID WITH CONCRETE OR TYPE M OR S MORTAR. PIERS AND WALLS SHALL BE CAPPED WITH 8" OF SOLID MASONRY.
- THE CENTER OF EACH OF THE PIERS SHALL BEAR IN THE MIDDLE THIRD OF ITS RESPECTIVE FOOTING. EACH GIRDER SHALL BEAR IN THE MIDDLE THIRD OF THE PIERS.
- ALL CONCRETE AND MASONRY FOUNDATION WALLS ARE TO BE CONSTRUCTED IN ACCORDANCE WITH THE PROVISIONS OF SECTION R404 OF THE NRC, 2018 EDITION OR IN ACCORDANCE WITH ACI 318, ACI 332, NCHA TR68-A OR ACE 530/ASCE 5/TMS 402. MASONRY FOUNDATION WALLS ARE TO BE REINFORCED PER TABLE R404.1(1), R404.1(2), R404.1(3), OR R404.1(4) OF THE NRC, 2018 EDITION. CONCRETE FOUNDATION WALLS ARE TO BE REINFORCED PER TABLE R404.1(5) OF THE NRC, 2018 EDITION. STEEP CONCRETE FOUNDATION WALLS TO 2 x 6 FRAMED WALLS AT 16" O.C. WHERE GRADE PERMITS (UNO).

This sealed page is to be used in conjunction with a full plan set engineered by J.S. Thompson Engineering, Inc. only. Use of this individual sealed page within architectural pages or shop drawings by others is a punishable offense under N.C. Statute § 89C-23

FRAMING NOTES

- ALL FRAMING LUMBER SHALL BE #2 SFF MINIMUM (F<sub>b</sub> = 875 PSI, F<sub>v</sub> = 375 PSI, E = 1600000 PSI) UNLESS NOTED OTHERWISE (UNO). ALL TREATED LUMBER SHALL BE #2 SYP MINIMUM (F<sub>b</sub> = 975 PSI, F<sub>v</sub> = 175 PSI, E = 1600000 PSI) UNLESS NOTED OTHERWISE (UNO).
- LAMINATED VENEER LUMBER (LVL) SHALL HAVE THE FOLLOWING MINIMUM PROPERTIES: F<sub>b</sub> = 2600 PSI, F<sub>v</sub> = 285 PSI, E = 1900000 PSI. LAMINATED STRAND LUMBER (LSL) SHALL HAVE THE FOLLOWING MINIMUM PROPERTIES: F<sub>b</sub> = 2375 PSI, F<sub>v</sub> = 310 PSI, E = 1550000 PSI. PARALLEL STRAND LUMBER (PSL) UP TO 1" DEPTH SHALL HAVE THE FOLLOWING MINIMUM PROPERTIES: F<sub>c</sub> = 2500 PSI, E = 1800000 PSI. PARALLEL STRAND LUMBER (PSL) MORE THAN 1" DEPTH SHALL HAVE THE FOLLOWING MINIMUM PROPERTIES: F<sub>c</sub> = 2900 PSI, E = 2000000 PSI. INSTALL ALL CONNECTIONS PER MANUFACTURER'S SPECIFICATIONS.
- STRUCTURAL STEEL SHALL CONFORM TO THE FOLLOWING ASTM SPECIFICATIONS
 

A. W AND WT SHAPES:	ASTM A992
B. CHANNELS AND ANGLES:	ASTM A36
C. FLATES AND BARS:	ASTM A36
D. HOLLOW STRUCTURAL SECTIONS:	ASTM A500 GRADE B
E. STEEL PIPE:	ASTM A53, GRADE B, TYPE E OR S

- STEEL BEAMS SHALL BE SUPPORTED AT EACH END WITH A MINIMUM BEARING LENGTH OF 3 1/2" AND FULL FLANGE WIDTH (UNO). PROVIDE SOLID BEARING FROM BEAM SUPPORT TO FOUNDATION. BEAMS SHALL BE ATTACHED AT THE BOTTOM FLANGE TO EACH SUPPORT AS FOLLOWS (UNO):
 

A. WOOD FRAMING	(2) 1/2" DIA. x 4" LONG LAG SCREWS
B. CONCRETE	(2) 1/2" DIA. x 4" WEDGE ANCHORS
C. MASONRY (FULLY GROUTED)	(2) 1/2" DIA. x 4" LONG SIMPSON TITEN HD ANCHORS

LATERAL SUPPORT IS CONSIDERED ADEQUATE PROVIDING THE JOISTS ARE TOE NAILED TO THE 2x NAILER ON TOP OF THE STEEL BEAM, AND THE 2x NAILER IS SECURED TO THE TOP OF THE STEEL BEAM w/ (2) ROWS OF SELF TAPPING SCREWS @ 16" O.C. OR (2) ROWS OF 1/2" DIAMETER BOLTS @ 16" O.C. IF 1/2" BOLTS ARE USED TO FASTEN THE NAILER, THE STEEL BEAM SHALL BE FABRICATED w/ (2) ROWS OF 9/16" DIAMETER HOLES @ 16" O.C.

- SQUARES DENOTE POINT LOADS WHICH REQUIRE SOLID BLOCKING TO GIRDER OR FOUNDATION. SHADED SQUARES DENOTE POINT LOADS FROM ABOVE WHICH REQUIRE SOLID BLOCKING TO SUPPORTING MEMBER BELOW.
- ALL LOAD BEARING HEADERS TO CONFORM TO TABLE R602.1(1) AND R602.1(2) OF THE NRC, 2018 EDITION OR BE (2) 2 x 6 WITH (1) JACK AND (1) KING STUD EACH END (UNO) WHICHEVER IS GREATER ALL HEADERS TO BE SECURED TO EACH JACK STUD WITH (4) 8d NAILS. ALL BEAMS TO BE SUPPORTED WITH (2) STUDS AT EACH BEARING POINT (UNO). INSTALL KING STUDS PER SECTION R602.15 OF THE NORTH CAROLINA RESIDENTIAL CODE, 2018 EDITION.
- ALL BEAMS, HEADERS, OR GIRDER TRUSSES PARALLEL TO WALL ARE TO BEAR FULLY ON (1) JACK OR (2) STUDS MINIMUM OR THE NUMBER OF JACKS OR STUDS NOTED. ALL BEAMS OR GIRDER TRUSSES PERPENDICULAR TO WALL AND SUPPORTED BY (3) STUDS OR LESS ARE TO HAVE 1 1/2" MINIMUM BEARING (UNO). ALL BEAMS OR GIRDER TRUSSES PERPENDICULAR TO WALL AND SUPPORTED BY MORE THAN (3) STUDS OR OTHER NOTED COLUMN ARE TO BEAR FULLY ON SUPPORT COLUMN FOR ENTIRE WALL DEPTH (UNO). BEAM ENDS THAT BUTT INTO ONE ANOTHER ARE TO EACH BEAR EQUAL LENGTHS (UNO).
- FLITCH BEAMS SHALL BE BOLTED TOGETHER USING 1/2" DIAMETER BOLTS (ASTM A307) WITH WASHERS PLACED AT THREADED END OF BOLT. BOLTS SHALL BE SPACED AT 24" CENTERS (MAXIMUM), AND STAGGERED AT TOP AND BOTTOM OF BEAM (2" EDGE DISTANCE), WITH (2) BOLTS LOCATED AT 6" FROM EACH END (UNO).
- ALL I-JOIST OR TRUSS LAYOUTS ARE TO BE IN COMPLIANCE WITH THE OVERALL DESIGN SPECIFIED ON THE PLANS. ALL DEVIATIONS ARE TO BE BROUGHT TO THE ATTENTION OF THE ENGINEER OF RECORD PRIOR TO INSTALLATION.
- BRACED WALL PANELS SHALL BE CONSTRUCTED ACCORDING TO THE NORTH CAROLINA RESIDENTIAL CODE 2018 EDITION WALL BRACING CRITERIA. THE AMOUNT, LENGTH, AND LOCATION OF BRACING SHALL COMPLY WITH ALL APPLICABLE TABLES IN SECTION R602.10.
- PROVIDE DOUBLE JOIST UNDER ALL WALLS PARALLEL TO FLOOR JOISTS. PROVIDE SUPPORT UNDER ALL WALLS PARALLEL TO FLOOR TRUSSES OR I-JOISTS PER MANUFACTURER'S SPECIFICATIONS. INSTALL BLOCKING BETWEEN JOISTS OR TRUSSES FOR POINT LOAD SUPPORT FOR ALL POINT LOADS ALONG OFFSET LOAD LINES.
- FOR ALL HEADERS SUPPORTING BRICK VENEER THAT ARE LESS THAN 8'-0" IN LENGTH, REST A 6" x 4" x 5/16" STEEL ANGLE WITH 6" MINIMUM EMBEDMENT AT SIDES FOR BRICK SUPPORT (UNO). FOR ALL HEADERS 8'-0" AND GREATER IN LENGTH, BOLT A 6" x 4" x 5/16" STEEL ANGLE TO HEADER WITH 1/2" LAG SCREWS AT 12" O.C. STAGGERED FOR BRICK SUPPORT. FOR ALL BRICK SUPPORT AT ROOF LINES, BOLT A 6" x 4" x 5/16" STEEL ANGLE TO (2) 2 x 10 BLOCKING INSTALLED w/ (4) 12d NAILS EA. PLY BETWEEN WALL STUDS WITH (2) ROWS OF 1/2" LAG SCREWS AT 12" O.C. STAGGERED AND IN ACCORDANCE WITH SECTION R103.2(2) OF THE NRC, 2018 EDITION.
- FOR STICK FRAMED ROOFS, CIRCLES DENOTE (3) 2 x 4 POSTS FOR ROOF MEMBER SUPPORT. HIP SPLICES ARE TO BE SPACED A MINIMUM OF 8'-0". FASTEN MEMBERS WITH THREE ROWS OF 12d NAILS AT 16" O.C. FRAME DORMER WALLS ON TOP OF DOUBLE OR TRIPLE RAFTERS AS SHOWN (UNO).
- FOR TRUSSED-ROOFS, FRAME DORMER WALLS ON TOP OF 2 x 4 LADDER FRAMING AT 24" O.C. BETWEEN ADJACENT ROOF TRUSSES. STICK FRAME OVER-FRAMED ROOF SECTIONS WITH 2 x 8 RIDGES, 2 x 6 RAFTERS AT 16" O.C. AND FLAT 2 x 10 VALLEYS (UNO).
- ALL 4 x 4 AND 6 x 6 POSTS TO BE INSTALLED WITH 100 LB CAPACITY UPLIFT CONNECTORS TOP AND BOTTOM (UNO). POSTS MAY BE SECURED USING ONE SIMPSON I46 OR L1812 UPLIFT CONNECTOR FASTENED TO THE BAND AT THE BOTTOM AND THE BEAM AT THE TOP OF EACH POST. ONE 16" SECTION OF SIMPSON C916 COIL STRAPPING WITH (8) 8d HDG NAILS AT EACH END MAY BE USED IN LIEU OF EACH TWIN STRAP IF DESIRED. FOR MASONRY OR CONCRETE FOUNDATION USE SIMPSON POST BASE.



3/30/2021

**J.S. THOMPSON ENGINEERING, INC.**  
 606 WADE AVE., SUITE 104 RALEIGH, NC 27605  
 PHONE: (919) 789-9919 FAX: (919) 789-9921  
 N.C. LICENSE NO.: C-1733

STANDARD STRUCTURAL NOTES

DATE: OCTOBER 29, 2018  
 SCALE: 1/4" = 1'-0"  
 DRAWN BY: JES  
 ENGINEERED BY: JST

SHEET:  
 STRUCTURAL NOTES