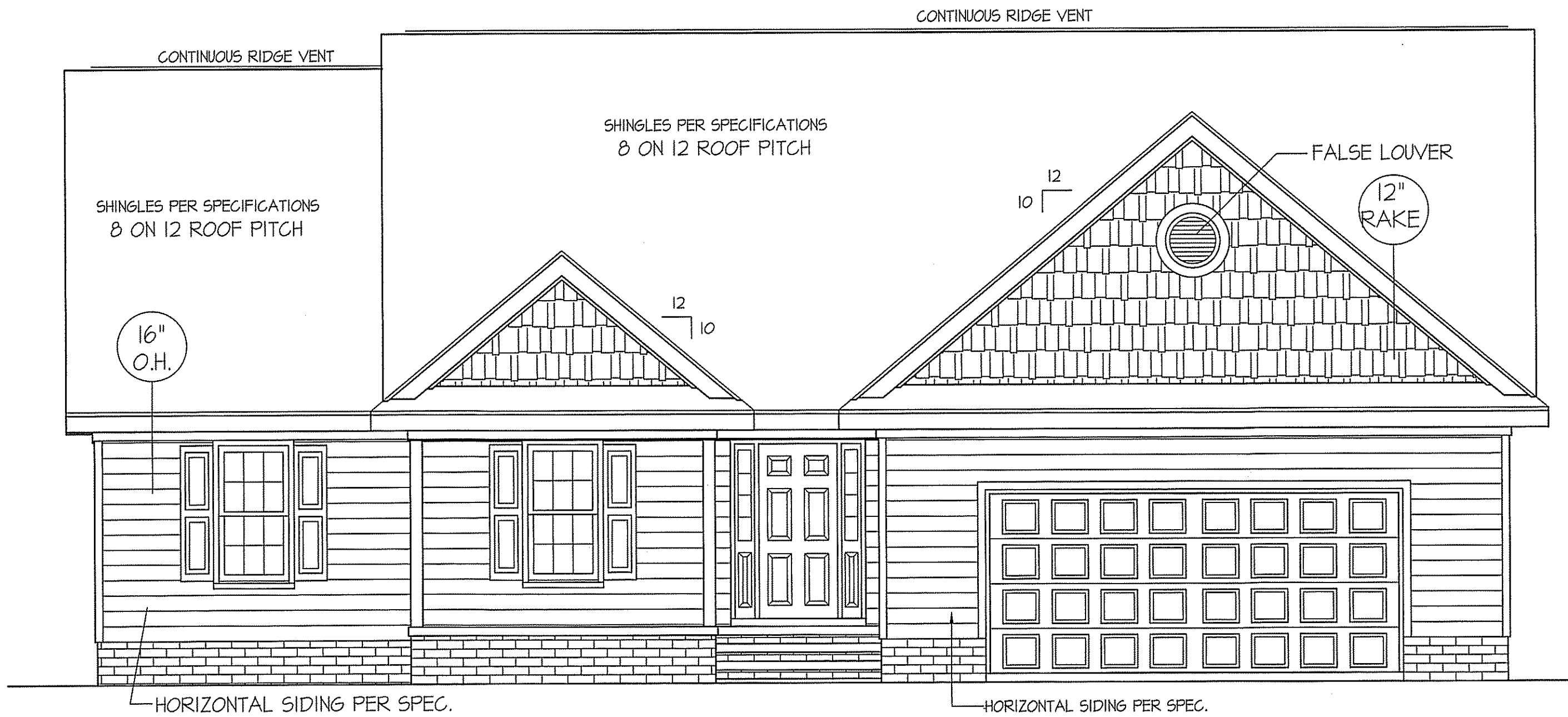


THIS PLAN IS DESIGNED TO MEET THE REQUIREMENTS OF THE NORTH CAROLINA RESIDENTIAL CODE 2018 EDITION



**FRONT ELEVATION**

SCALE: 1/4" = 1'-0"

ROOF VENTILATION REQ'MTS.  
2510 ATTIC SQ. FT. / 300 = 8.37

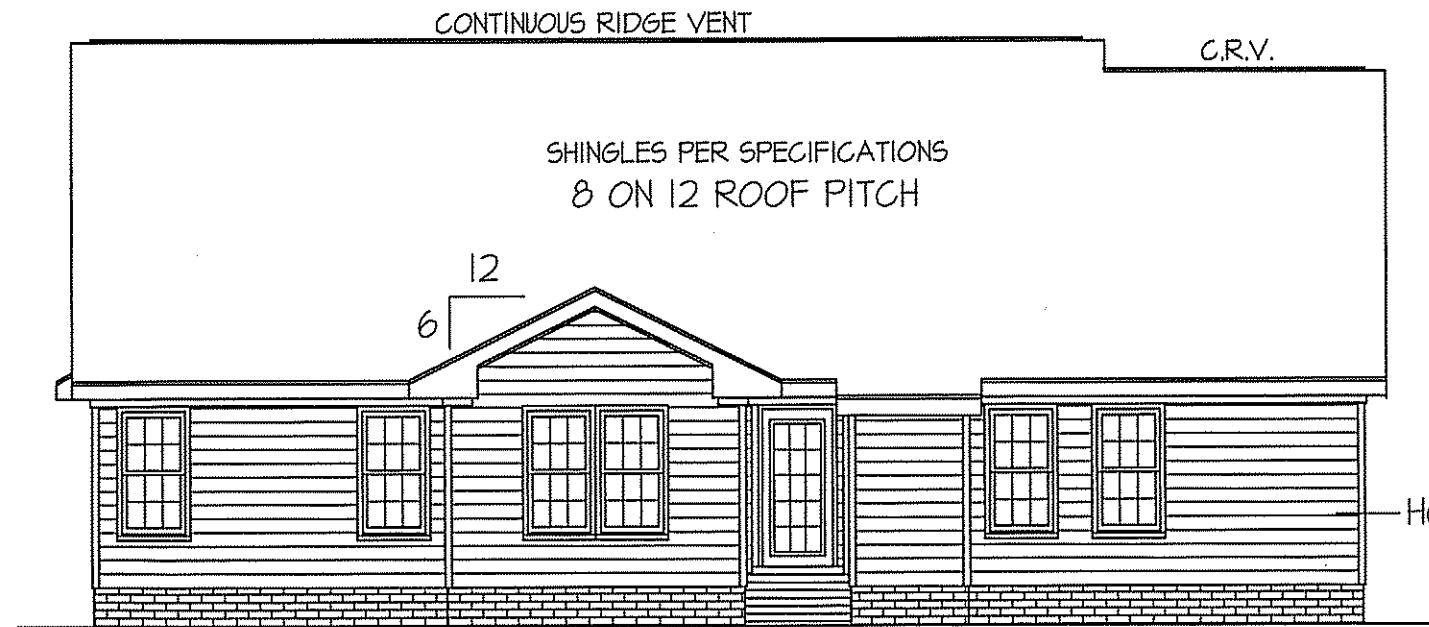
PROVIDED ON PLAN  
97 L.F. RIDGE VENT = 18.19  
124 L.F. SOFFIT VENT = 7.75  
TOTAL = 25.94 S.F. FREE NET AREA

WIND ZONES (PER TABLE R301.2(4))	
COUNTY	MPH
HARNETT	120
JOHNSTON	120
SAMPSON	130
WAKE	115

INSULATION and FENESTRATION REQUIREMENTS		
CLIMATE ZONE	ZONE-3	ZONE-4
FENESTRATION U-FACTOR	0.35	0.35
GLAZED FENESTRATION SHGC	0.30	0.30
MINIMUM CEILING R-VALUE	R-30	R-30
MINIMUM WALL R-VALUE	R-15, 13+2.5	R-15, 13+2.5
MINIMUM FLOOR R-VALUE	R-19	R-19
MIN. CRAWL SPACE WALL R-VALUE	5/13	10/15
MIN. SLAB R-VALUE	0	R-10

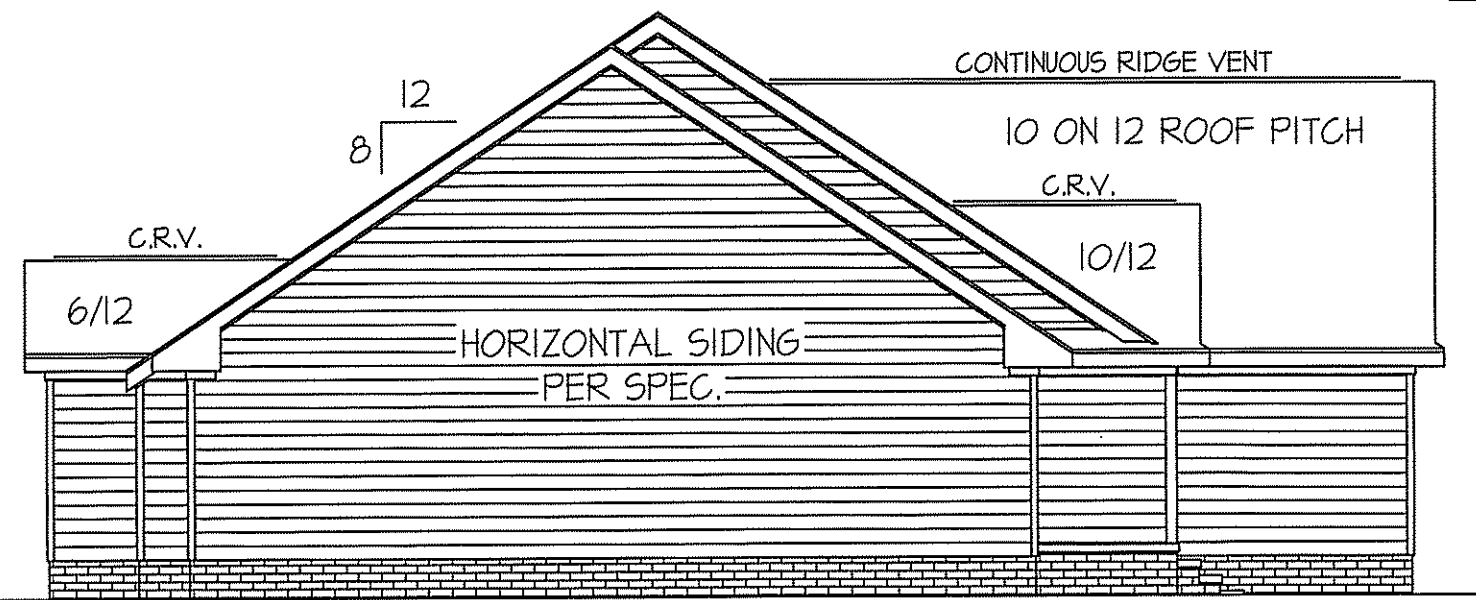
PROVIDE STEPS AS REQUIRED  
GRADE MAY VARY - BUILDER TO VERIFY

ALL EXTERIOR WALLS TO BE SHEATHED WITH CS-WSP (1/16" OSB) IN ACCORDANCE WITH SECTION R602.10.3 UNLESS OTHERWISE NOTED.



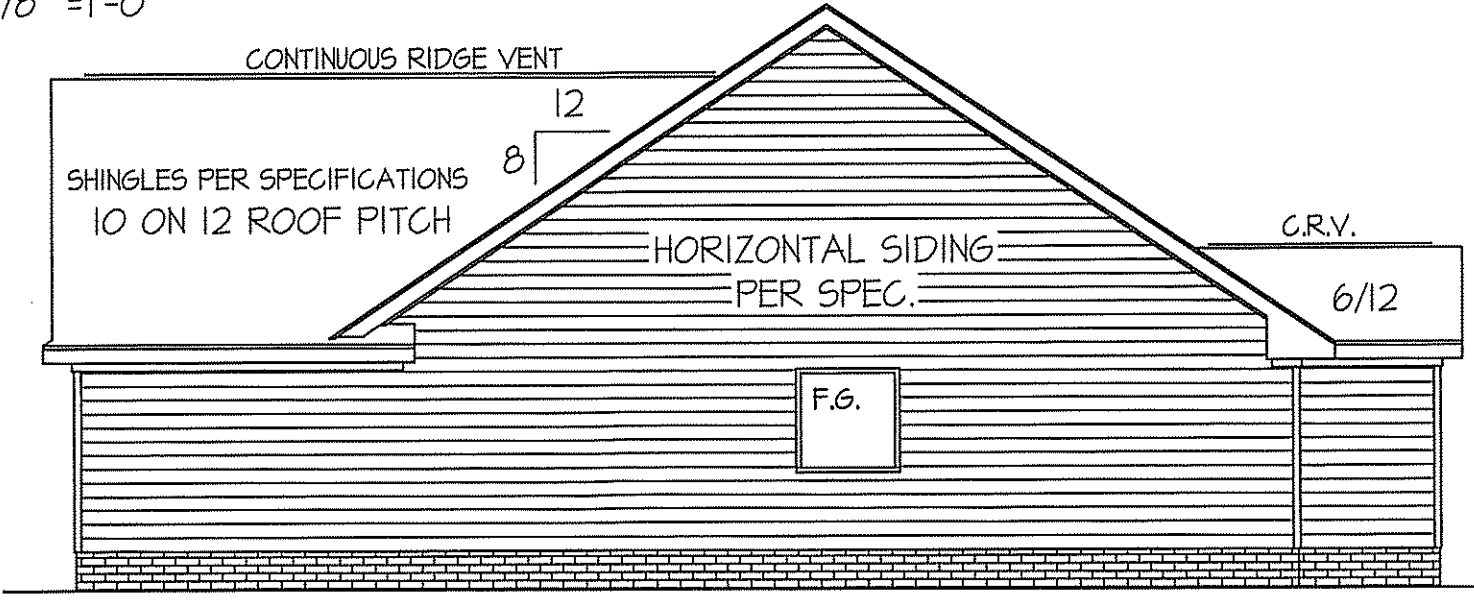
**REAR ELEVATION**

SCALE: 1/8" = 1'-0"



**LEFT ELEVATION**

SCALE: 1/8" = 1'-0"

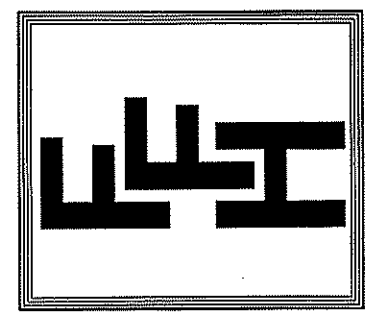


**RIGHT ELEVATION**

SCALE: 1/8" = 1'-0"

DATE:  
OCT. 18, 2019

**FREEDOM FAMILY HOMES**  
P.O. BOX 608  
DUNN, N.C. - 28335  
O: (910) 892-1231 FAX: (910) 892-5680  
© 2019, FREEDOM FAMILY HOMES



EXCLUSIVE PLAN FOR  
**FREEDOM FAMILY HOMES**  
**WILSON~RIGHT**

PLAN:

SHEET NO.

**1**

WIND ZONES (PER TABLE R301.2(4))	
COUNTY	MPH
HARNETT	120
JOHNSTON	120
SAMPSON	130
WAKE	115

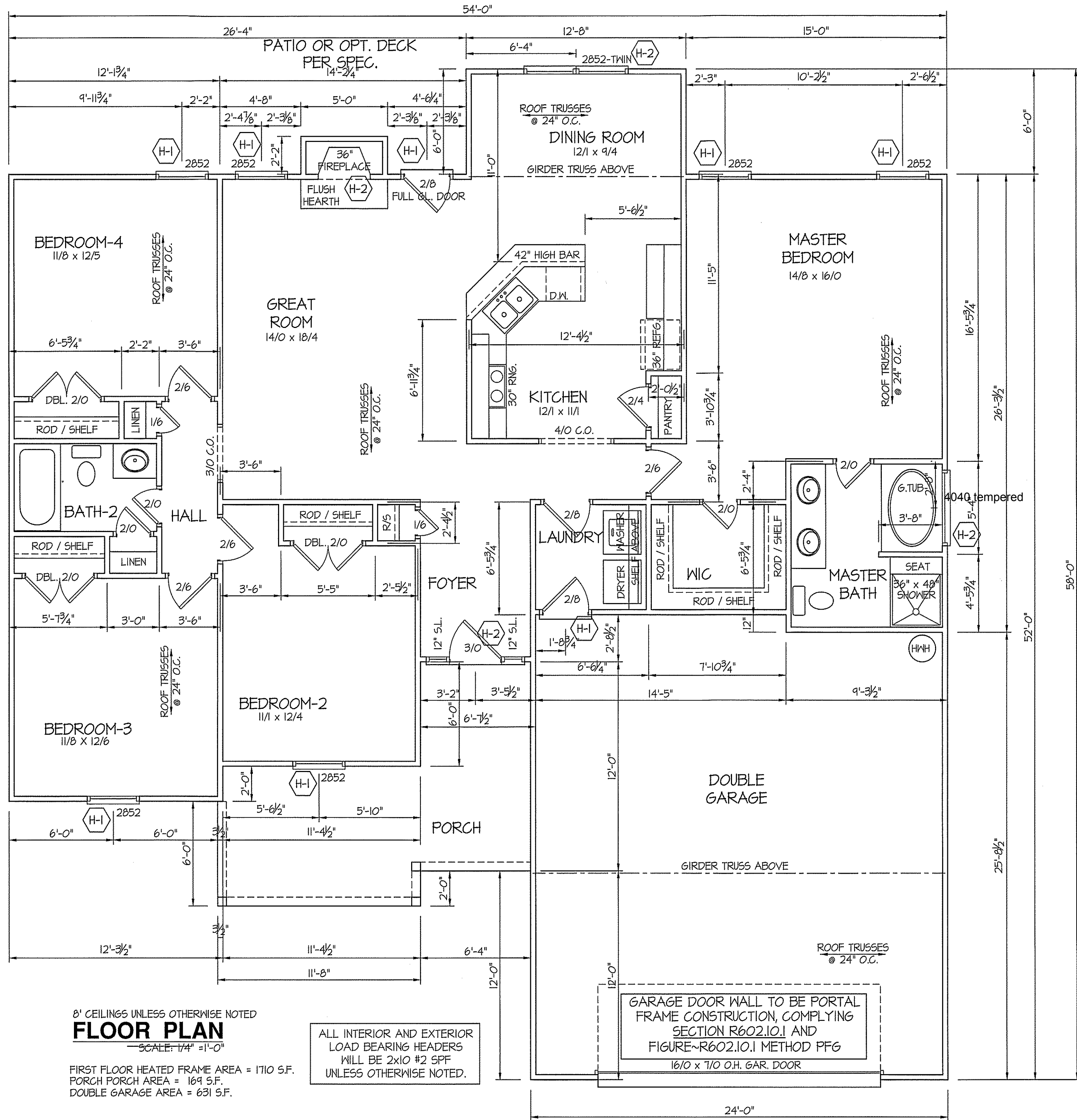
HEADER SCHEDULE		
SYMBOL #	SIZE	JACKS
H-1	(2) 2x10	1
H-2	(2) 2x10	2
H-3	(2) 2x8	2
H-4	(2) 2x12	2
H-5	(2) 1.75 x 9.25 LVL	3

ALL EXTERIOR WALLS TO BE SHEATHED WITH CS-WSP (7/16" OSB) IN ACCORDANCE WITH SECTION R602.10.3 UNLESS OTHERWISE NOTED.

GIRDER AND HEADER SIZES AND JACK STUD REQUIREMENTS ON EXTERIOR AND INTERIOR LOAD BEARING WALLS ARE TO COINCIDE WITH TABLE EXT.-R602.7 (1) AND INT.-R602.7 (2).

TABLE R602.7.5 MINIMUM NUMBER OF FULL HEIGHT STUDS AT EACH END OF HEADERS IN EXTERIOR WALLS		
HEADER SPAN (feet)	MAX. STUD SPACING (inches) [per Table R602.3(5)]	
	16	24
< 3'	1	1
4'	2	1
8'	3	2
12'	5	3
16'	6	4

SECTION R407-COLUMNS  
R407.3 STRUCTURAL REQUIREMENTS.  
THE COLUMNS SHALL BE RESTRAINED TO PREVENT LATERAL DISPLACEMENT AT THE TOP AND BOTTOM END. WOOD COLUMNS SHALL BE NOT LESS IN NOMINAL SIZE THAN 4 INCHES BY 4 INCHES (102 mm BY 102 mm). STEEL COLUMNS SHALL BE NOT LESS THAN 3-INCH-DIAMETER (76 mm) SCHEDULE 40 PIPE MANUFACTURED IN ACCORDANCE WITH ASTM A53 GRADE B OR APPROVED EQUIVALENT.



8' CEILINGS UNLESS OTHERWISE NOTED

**FLOOR PLAN**

SCALE: 1/4" = 1'-0"

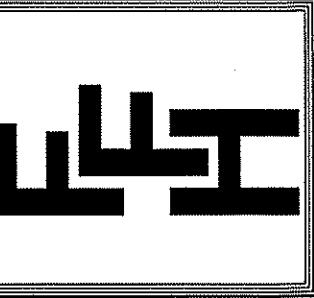
FIRST FLOOR HEATED FRAME AREA = 1710 S.F.  
PORCH AREA = 169 S.F.  
DOUBLE GARAGE AREA = 631 S.F.

ALL INTERIOR AND EXTERIOR LOAD BEARING HEADERS WILL BE 2x10 #2 SPF UNLESS OTHERWISE NOTED.

GARAGE DOOR WALL TO BE PORTAL FRAME CONSTRUCTION, COMPLYING SECTION R602.10.1 AND FIGURE-R602.10.1 METHOD PFG  
16/0 x 7/0 O.H. GAR. DOOR

DATE:  
OCT. 18, 2019

**FREEDOM FAMILY HOMES**  
P.O. BOX 608  
DUNN, N.C. - 28335  
O: (910) 892-1231 FAX: (910) 892-5680  
© 2019, FREEDOM FAMILY HOMES



EXCLUSIVE PLAN FOR  
FREEDOM FAMILY HOMES  
**WILSON~RIGHT**

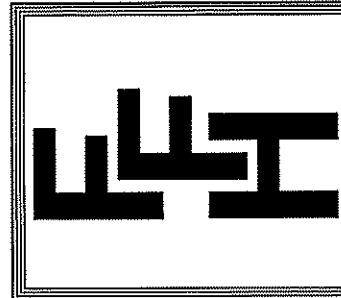
SHEET NO.  
**2**

DATE:

OCT. 18, 2019

FREEDOM FAMILY HOMES

P.O. BOX 608  
DUNN, N.C. - 28335  
O: (910) 892-1231 FAX: (910) 892-5680  
© 2019, FREEDOM FAMILY HOMES



EXCLUSIVE PLAN FOR  
FREEDOM FAMILY HOMES  
WILSON~RIGHT

PLAN:

SHEET NO.

3

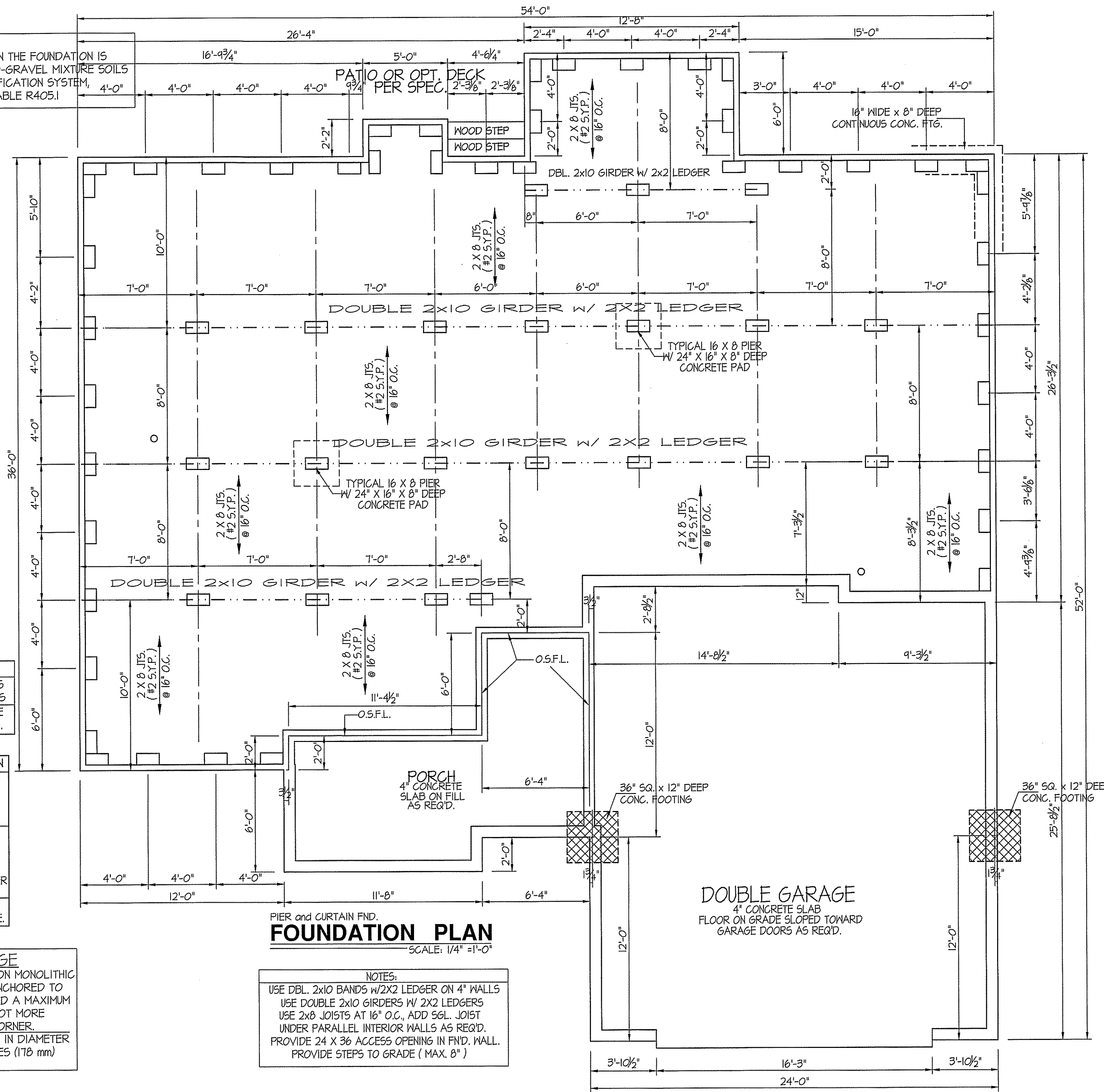
**FOUNDATION DRAINAGE**  
A DRAINAGE SYSTEM IS NOT REQUIRED WHEN THE FOUNDATION IS INSTALLED ON WELL-DRAINED GROUND OR SAND-GRAVEL MIXTURE SOILS ACCORDING TO THE UNIFIED SOIL CLASSIFICATION SYSTEM, GROUP 1 SOILS, AS DETAILED IN TABLE R405.1

ALL JOISTS AND GIRDERS WILL BE #2 S.Y.P.  
JOIST SPANS TO COINCIDE WITH REVISED TABLES R502.3.1(1) AND R502.3.1(2) FROM 2018 NCR CODES  
GIRDER SPANS AND HEADER SPANS TO COINCIDE WITH TABLE R602.7(1), R602.7(2) AND R602.7(3).

**FOUNDATION VENTILATION INFORMATION**  
(MIN. NET AREA OF VENT. REQ'D. = 1/150)  
1710 S.F. (CRAWL) x .96 = 1641.6 S.I.  
USE 26" WITTEN AUTO. VENT" FND. VENTS @ 65 S.I. FREE NET AREA or EQUIVALENT.  
(MIN. NET AREA CAN BE REDUCED TO 1/1500)  
1710 S.F. (CRAWL) x .096 = 164.16 S.I.  
USE 3" WITTEN AUTO. VENT" FND. VENTS @ 65 S.I. FREE NET AREA or EQUIVALENT.  
w/ APPROVED 6-mil POLYETHYLENE VAPOR RETARDER or EQUIVALENT IN CRAWL SPACE.  
REQUIRED VENTS ARE TO BE PLACED SO AS TO PROVIDE CROSS-VENTILATION OF THE CRAWL SPACE.

**FOUNDATION ANCHORAGE**  
THE WOOD SOLE PLATE AT EXTERIOR WALLS ON MONOLITHIC SLABS AND WOOD SILL PLATE SHALL BE ANCHORED TO THE FOUNDATION WITH ANCHOR BOLTS SPACED A MAXIMUM OF 4 FEET (1219.3 mm) ON CENTER AND NOT MORE THAN 12 INCHES (305 mm) FROM THE CORNER.  
BOLTS SHALL BE AT LEAST 1/2 INCH (12.7 mm) IN DIAMETER AND SHALL EXTEND A MINIMUM OF 15 INCHES (178 mm) INTO MASONRY OR CONCRETE.

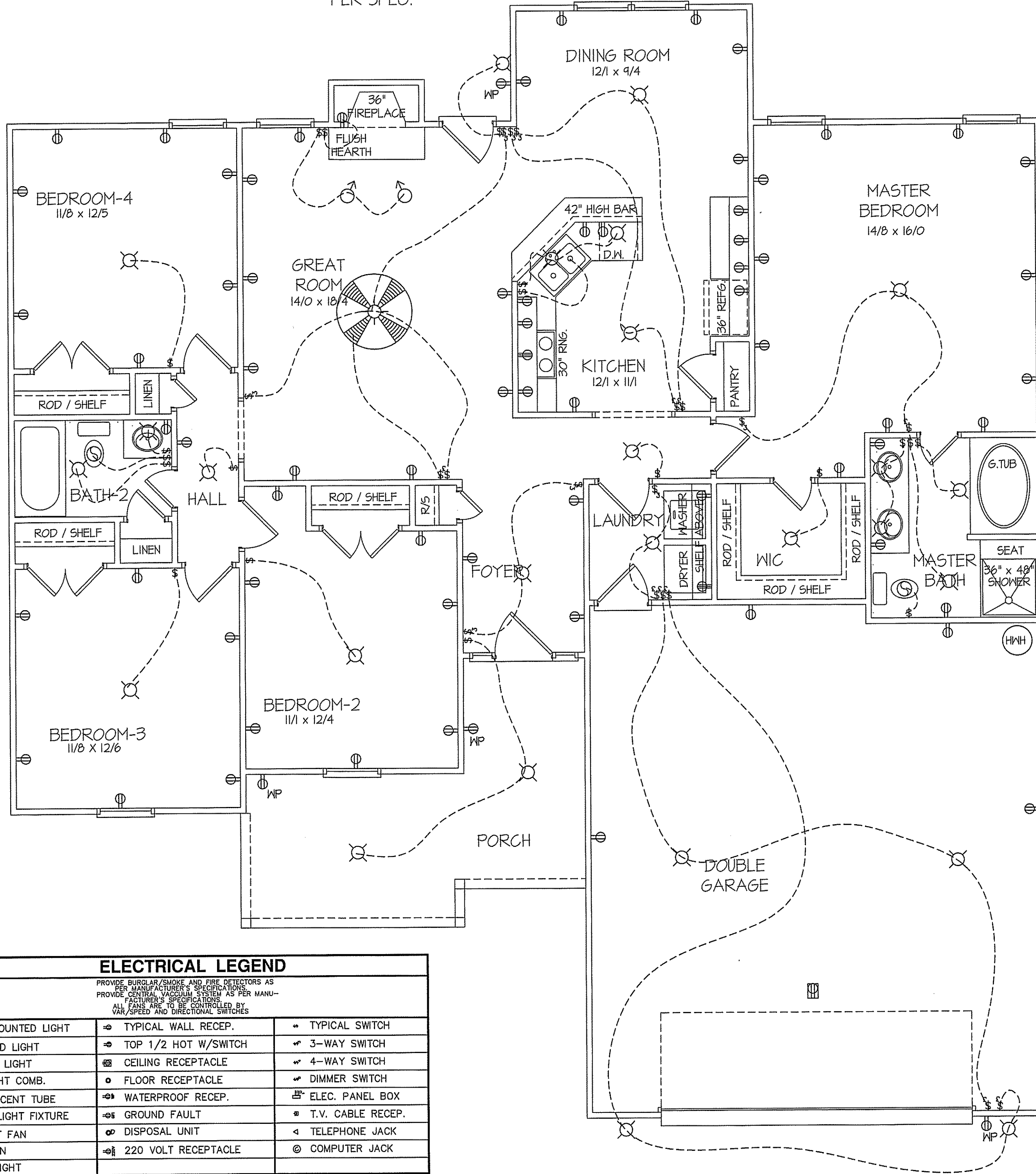
**NOTES:**  
USE DBL. 2x10 BANDS w/2x2 LEDGER ON 4" WALLS  
USE DOUBLE 2x10 GIRDERS W/ 2x2 LEDGERS  
USE 2x8 JOISTS AT 16" O.C., ADD 5GL. JOIST UNDER PARALLEL INTERIOR WALLS AS REQ'D.  
PROVIDE 24 X 36 ACCESS OPENING IN FND. WALL.  
PROVIDE STEPS TO GRADE (MAX. 8")



MAIN COMPUTER FILE: FFH - WILSON - DEC - 2019



PATIO OR OPT. DECK  
PER SPEC.



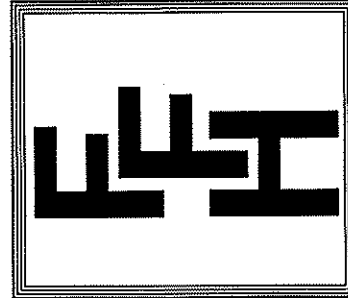
ELECTRICAL LEGEND		
<small>PROVIDE BURGLAR/SMOKE AND FIRE DETECTORS AS PER MANUFACTURER'S SPECIFICATIONS                      PROVIDE CENTRAL VACUUM SYSTEM AS PER MANUFACTURER'S SPECIFICATIONS                      ALL FANS ARE TO BE CONTROLLED BY VAR/SPEED AND DIRECTIONAL SWITCHES</small>		
⊕ SURF. MOUNTED LIGHT	⊕ TYPICAL WALL RECEPT.	⊕ TYPICAL SWITCH
○ RECESSED LIGHT	⊕ TOP 1/2 HOT W/SWITCH	⊕ 3-WAY SWITCH
⊕ EYEBALL LIGHT	⊕ CEILING RECEPTACLE	⊕ 4-WAY SWITCH
⊕ FAN/LIGHT COMB.	⊕ FLOOR RECEPTACLE	⊕ DIMMER SWITCH
— FLUORESCENT TUBE	⊕ WATERPROOF RECEPT.	⊕ ELEC. PANEL BOX
⊕ FLUOR. LIGHT FIXTURE	⊕ GROUND FAULT	⊕ T.V. CABLE RECEPT.
⊕ EXHAUST FAN	⊕ DISPOSAL UNIT	⊕ TELEPHONE JACK
⊕ CL'G. FAN	⊕ 220 VOLT RECEPTACLE	⊕ COMPUTER JACK
⊕ FLOOD LIGHT		

8' CLG. UNLESS OTHERWISE NOTE  
**ELECTRICAL FLOOR PLAN**  
 SCALE: 1/4" = 1'-0"

FIRST FLOOR HEATED FRAME AREA = 1710 S.F.  
 PORCH PORCH AREA = 169 S.F.  
 DOUBLE GARAGE AREA = 631 S.F.

DATE:  
 OCT. 18, 2019

**FREEDOM FAMILY HOMES**  
 P.O. BOX 608  
 DUNN, N.C. - 28335  
 O: (910) 892-1231 FAX: (910) 892-5680  
 © 2019, FREEDOM FAMILY HOMES

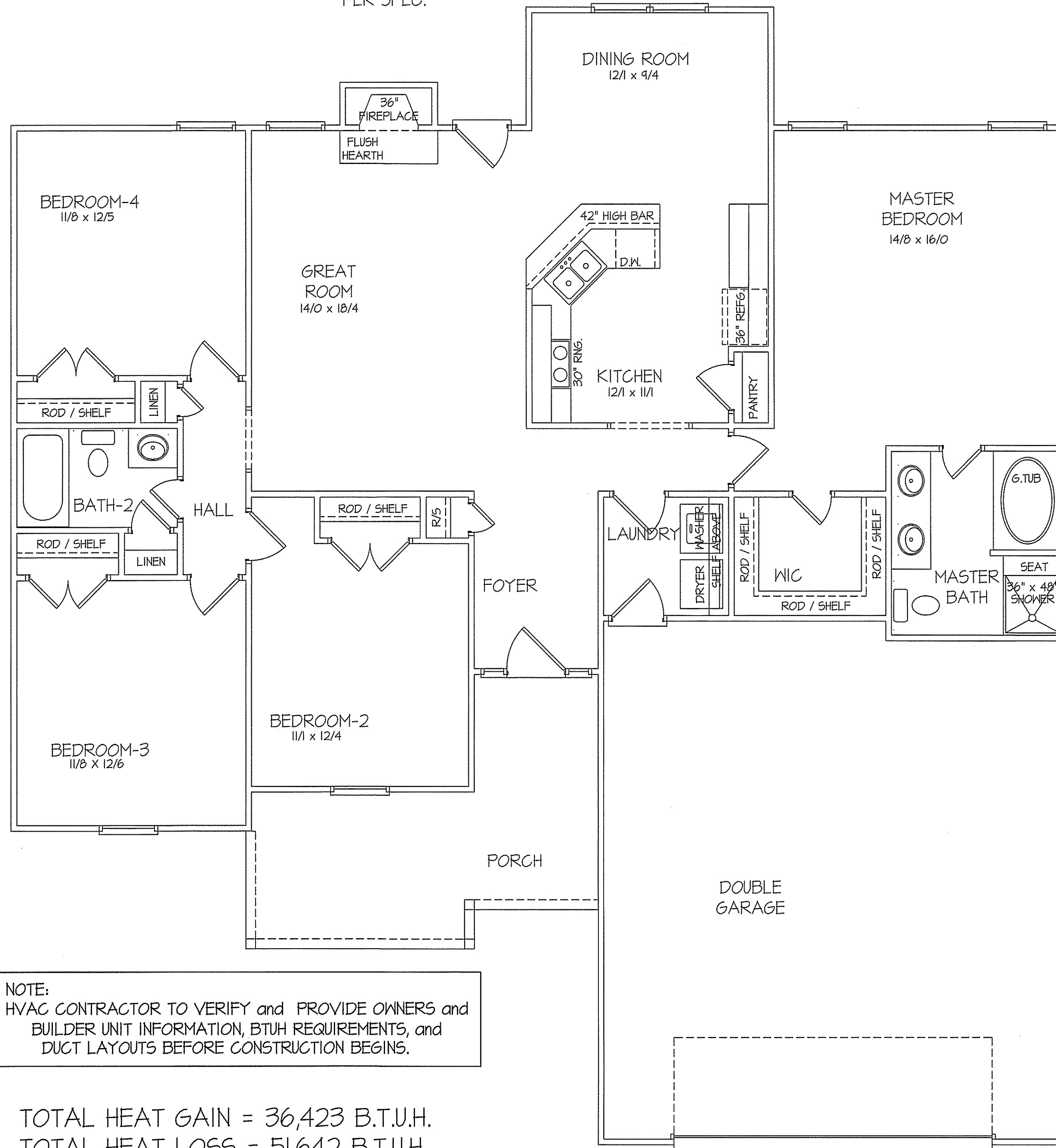


EXCLUSIVE PLAN FOR  
 FREEDOM FAMILY HOMES  
**WILSON ~ RIGHT**  
 PLAN:

SHEET NO.  
**4**

MAIN COMPUTER FILE: FFH - WILSON - DEC-2019

PATIO OR OPT. DECK  
PER SPEC.



NOTE:  
 HVAC CONTRACTOR TO VERIFY and PROVIDE OWNERS and  
 BUILDER UNIT INFORMATION, BTUH REQUIREMENTS, and  
 DUCT LAYOUTS BEFORE CONSTRUCTION BEGINS.

TOTAL HEAT GAIN = 36,423 B.T.U.H.  
 TOTAL HEAT LOSS = 51,642 B.T.U.H.

8' CEILINGS UNLESS OTHERWISE NOTED

**HVAC  
 FLOOR PLAN**  
 SCALE: 1/4" = 1'-0"

FIRST FLOOR HEATED FRAME AREA = 1710 S.F.  
 PORCH AREA = 169 S.F.  
 DOUBLE GARAGE AREA = 631 S.F.

DATE:

OCT. 18, 2019

**FREEDOM FAMILY HOMES**

P.O. BOX 608  
 DUINN, N.C. - 28335  
 O: (910) 892-1231 FAX: (910) 892-5680  
 ©2019, FREEDOM FAMILY HOMES



EXCLUSIVE PLAN FOR  
 FREEDOM FAMILY HOMES  
**WILSON~RIGHT**

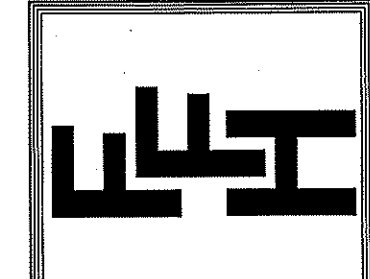
PLAN:

SHEET NO.

**5**

DATE:  
OCT. 18, 2019

**FREEDOM FAMILY HOMES**  
P.O. BOX 608  
DUNN, N.C. - 28335  
O: (910) 892-1231 FAX: (910) 892-5680  
© 2019, FREEDOM FAMILY HOMES

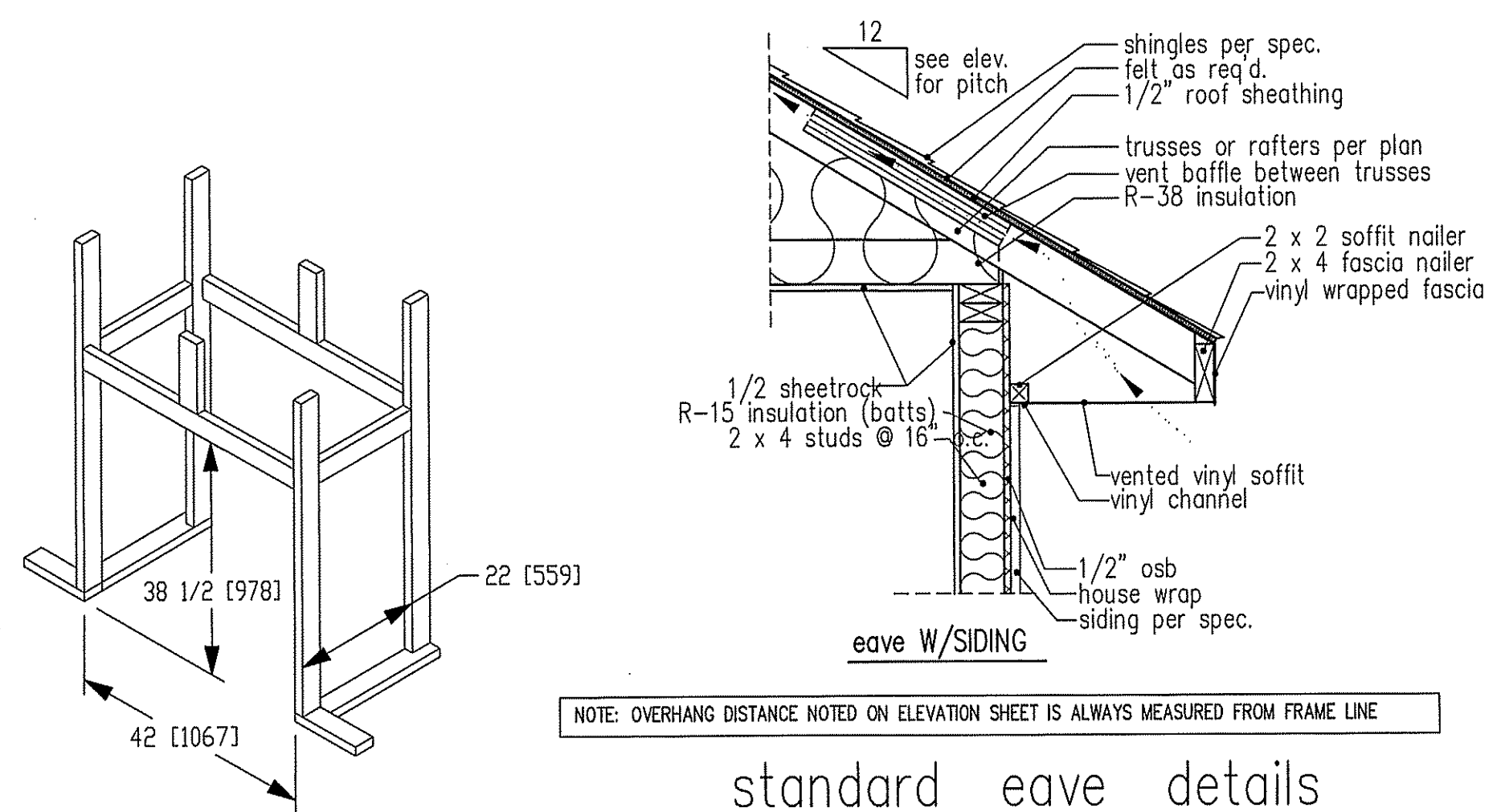


**EXCLUSIVE PLAN FOR  
FREEDOM FAMILY HOMES  
WILSON**

PLAN:

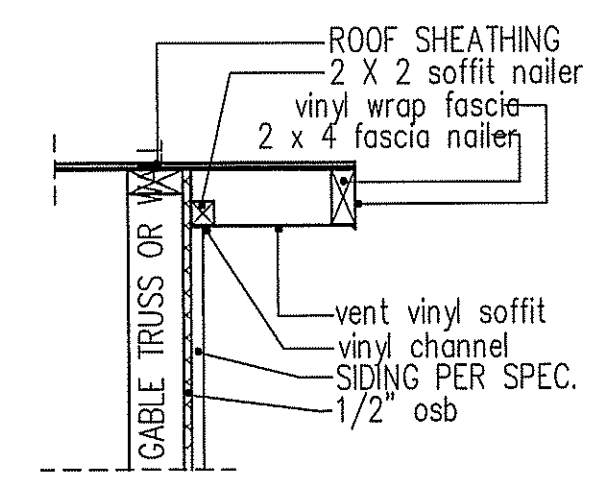
SHEET NO.

**6**



NOTE: OVERHANG DISTANCE NOTED ON ELEVATION SHEET IS ALWAYS MEASURED FROM FRAME LINE

standard eave details



RAKE w/SIDING

NOTE: OVERHANG DISTANCE NOTED ON ELEVATION SHEET IS ALWAYS MEASURED FROM FRAME LINE

TABLE R602.7.5  
MINIMUM NUMBER OF FULL HEIGHT STUDS AT EACH END OF HEADERS IN EXTERIOR WALLS

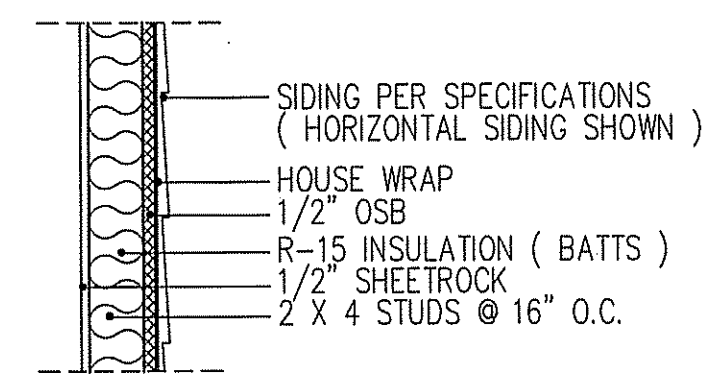
HEADER SPAN (feet)	MAX. STUD SPACING (Inches) [per Table R602.3(5)]	
	16	24
< 3'	1	1
4'	2	1
8'	3	2
12'	5	3
16'	6	4

GIRDER AND HEADER SIZES AND JACK STUD REQUIREMENTS ON EXTERIOR AND INTERIOR LOAD BEARING WALLS ARE TO COINCIDE WITH TABLE EXT.-R602.7 (1) AND INT.-R602.7 (2).

DIMENSIONS IN [ ] ARE MM

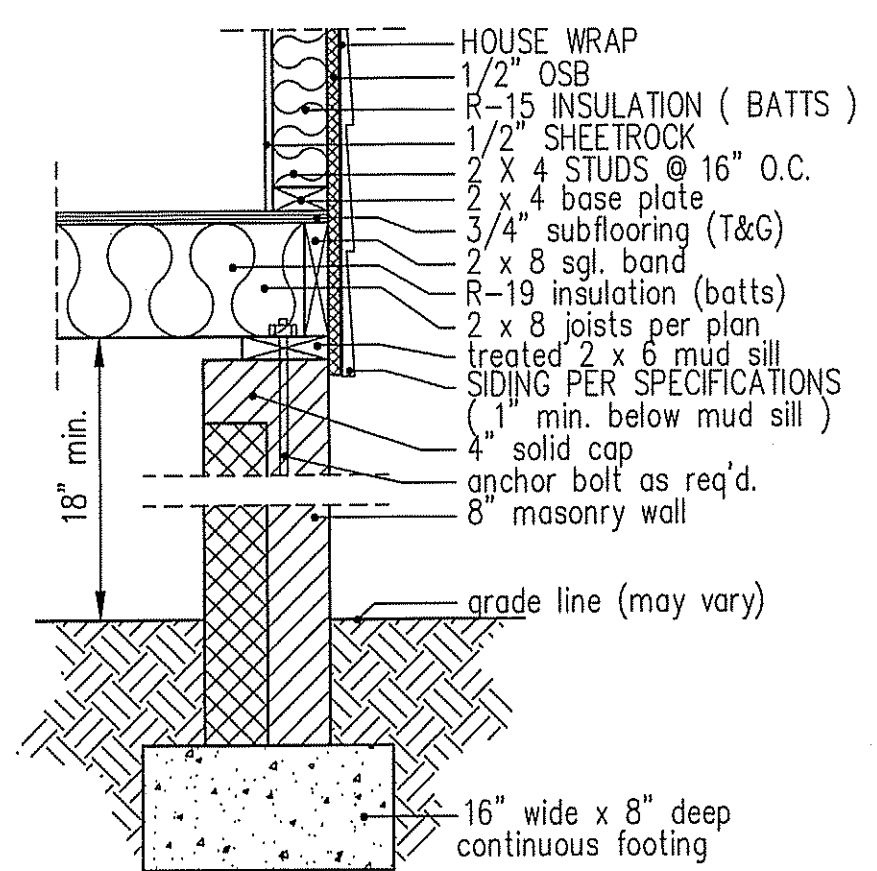
Model 6000-TR	Height		Front Width		Back Width		Depth		Glass Size	BTU Input
	Actual	Framing	Actual	Framing	Actual	Framing	Actual	Framing		
	Inches									
	38	38-1/2	41	42	28-1/2	42	21-1/2	22		

Reference dimensions only. We recommend measuring individual units at installation.

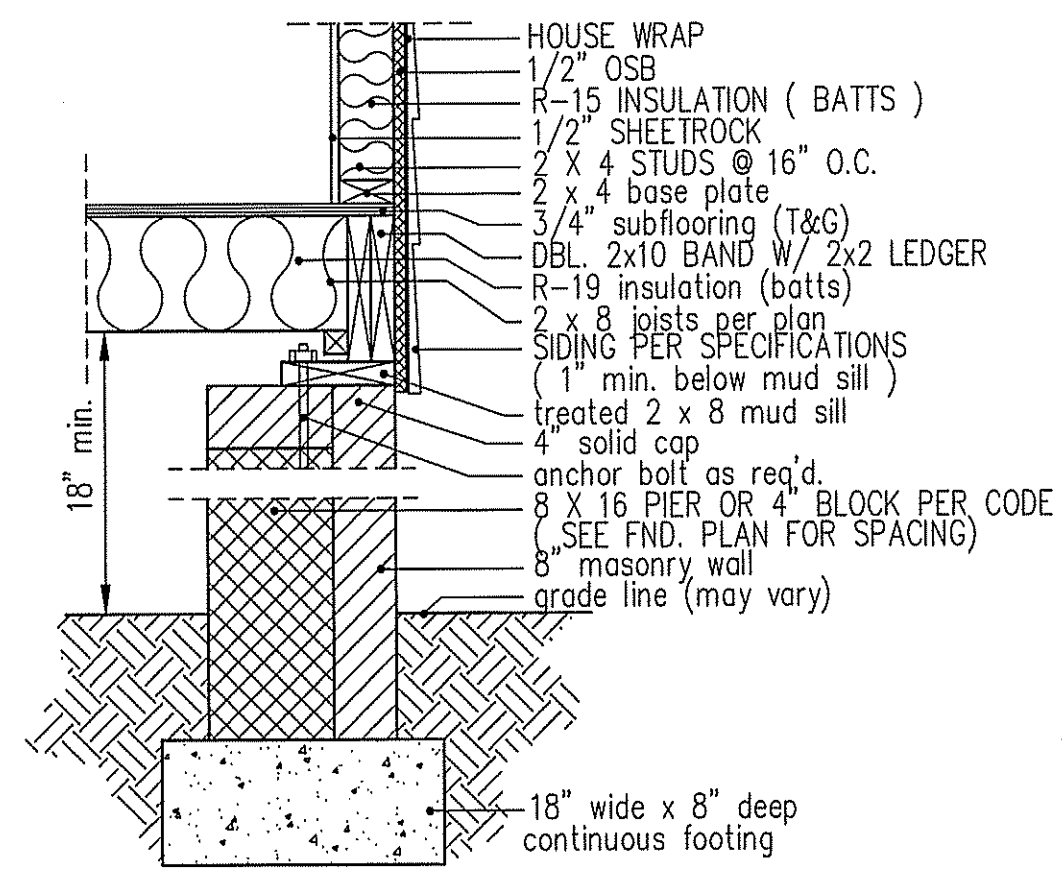


WALL W/siding

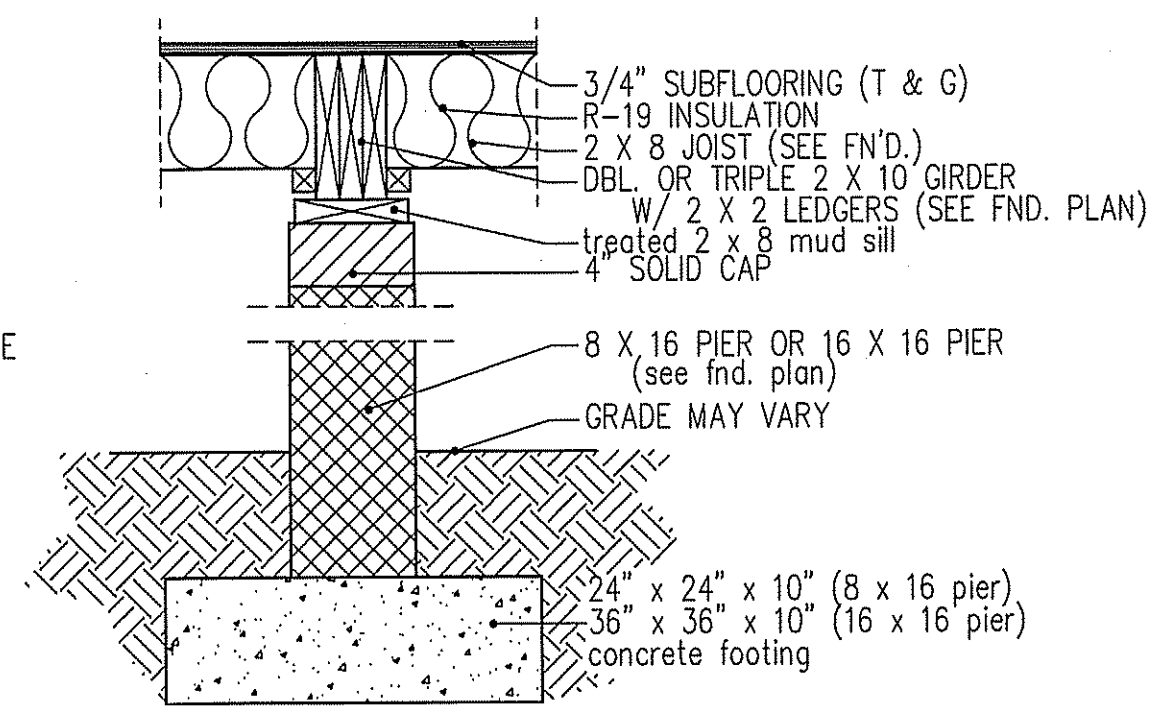
intermediate wall details



8" BOX SILL  
FOUNDATION WALL



PIER and CURTAIN  
FOUNDATION WALL



PIER and GIRDER  
DETAIL