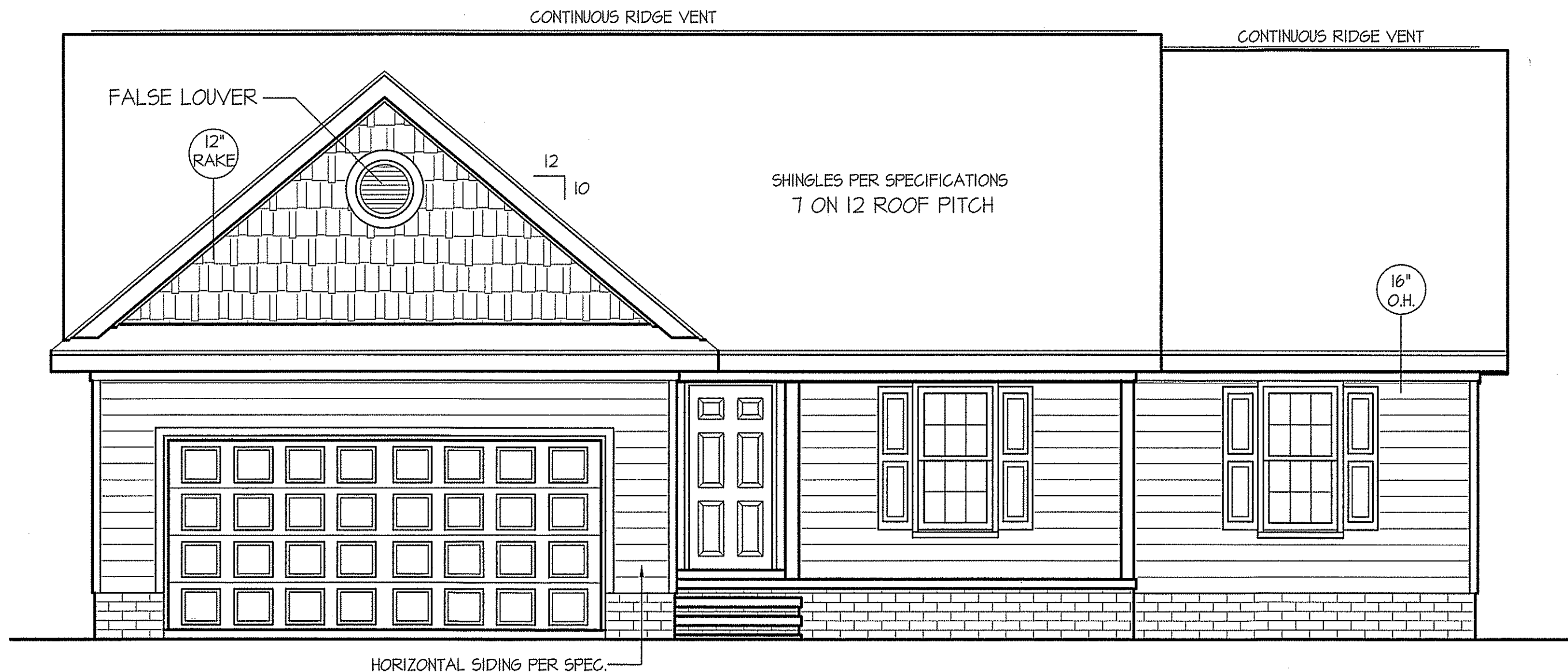


THIS PLAN IS DESIGNED TO MEET THE REQUIREMENTS OF THE NORTH CAROLINA RESIDENTIAL CODE 2018 EDITION

DATE:
JULY 24, 2019

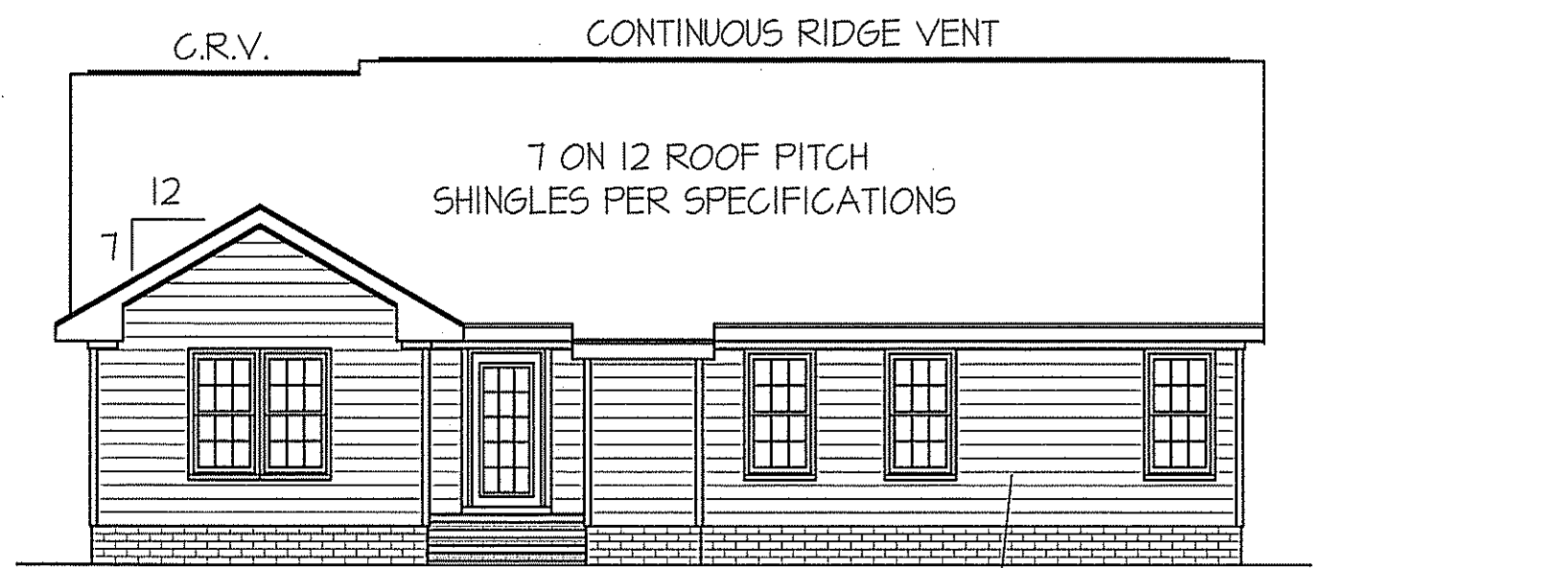
FREEDOM FAMILY HOMES
P.O. BOX 608
DUNN, N.C. - 28335
O: (910) 892-1231 FAX: (910) 892-5680
© 2019, FREEDOM FAMILY HOMES



FRONT ELEVATION
SCALE: 1/4" = 1'-0"

ALL EXTERIOR WALLS TO BE SHEATHED WITH OS-WSP (7/16" OSB) IN ACCORDANCE WITH SECTION R602.10.3 UNLESS OTHERWISE NOTED.

ROOF VENTILATION REQ'MTS.
2074 ATTIC SQ. FT. / 300 = 6.91
PROVIDED ON PLAN
86 L.F. RIDGE VENT = 16.13
118 L.F. SOFFIT VENT = 7.38
TOTAL = 23.51 S.F. FREE NET AREA



REAR ELEVATION
SCALE: 1/8" = 1'-0"

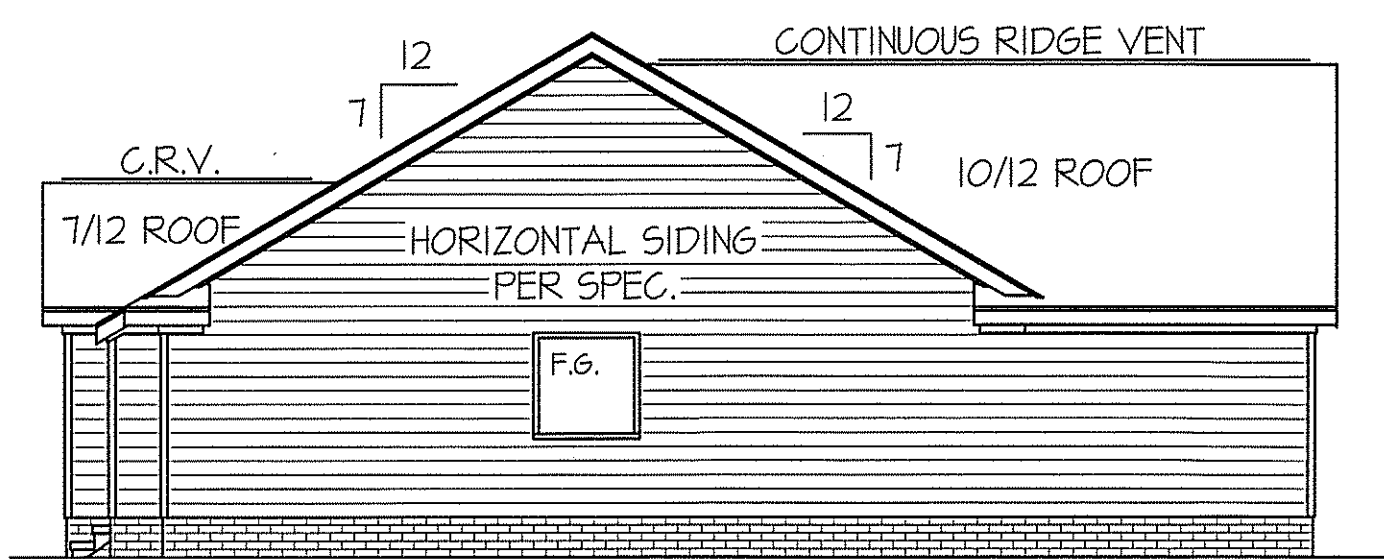
WIND ZONES (PER TABLE R301.2(4))

COUNTY	MPH
HARNETT	120
JOHNSTON	120
SAMPSON	130
WAKE	115

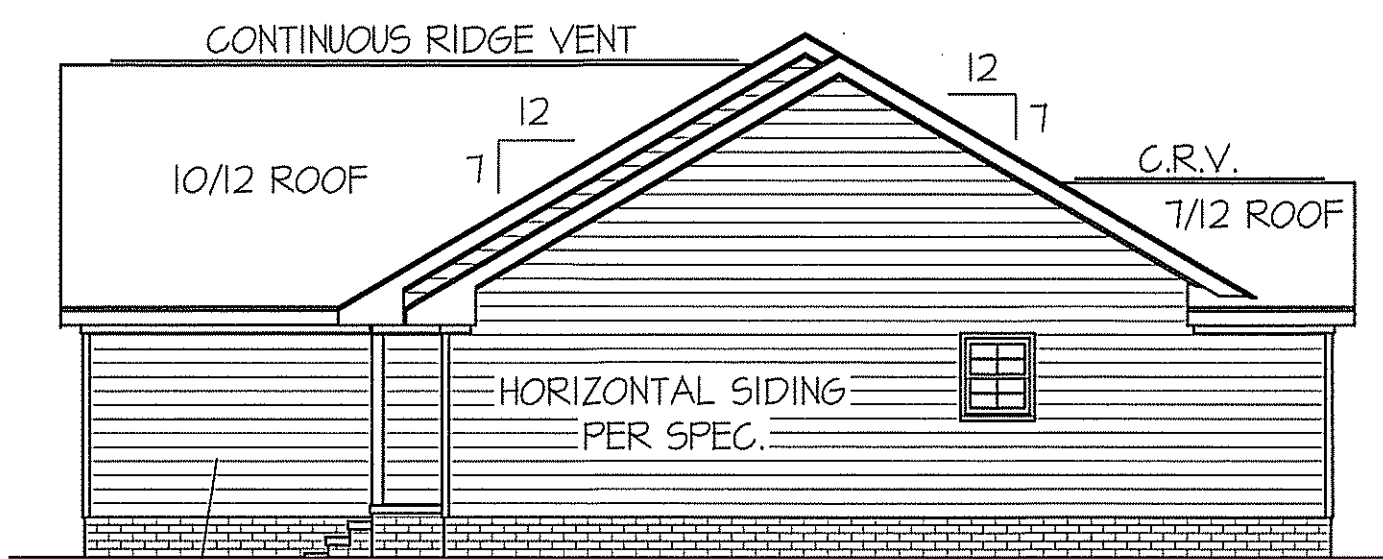
INSULATION and FENESTRATION REQUIREMENTS

CLIMATE ZONE	ZONE-3	ZONE-4
FENESTRATION U-FACTOR	0.35	0.35
GLAZED FENESTRATION SHGC	0.30	0.30
MINIMUM CEILING R-VALUE	R-30	R-30
MINIMUM WALL R-VALUE	R-15, 13+2.5	R-15, 13+2.5
MINIMUM FLOOR R-VALUE	R-19	R-19
MIN. CRAWL SPACE WALL R-VALUE	5/13	10/15
MIN. SLAB R-VALUE	0	R-10

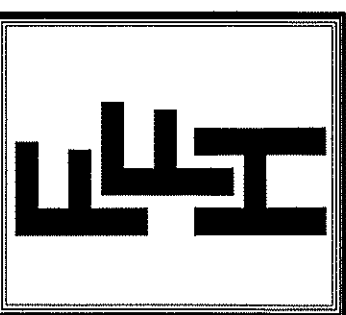
PROVIDE STEPS AS REQUIRED
GRADE MAY VARY - BUILDER TO VERIFY



LEFT ELEVATION
SCALE: 1/8" = 1'-0"

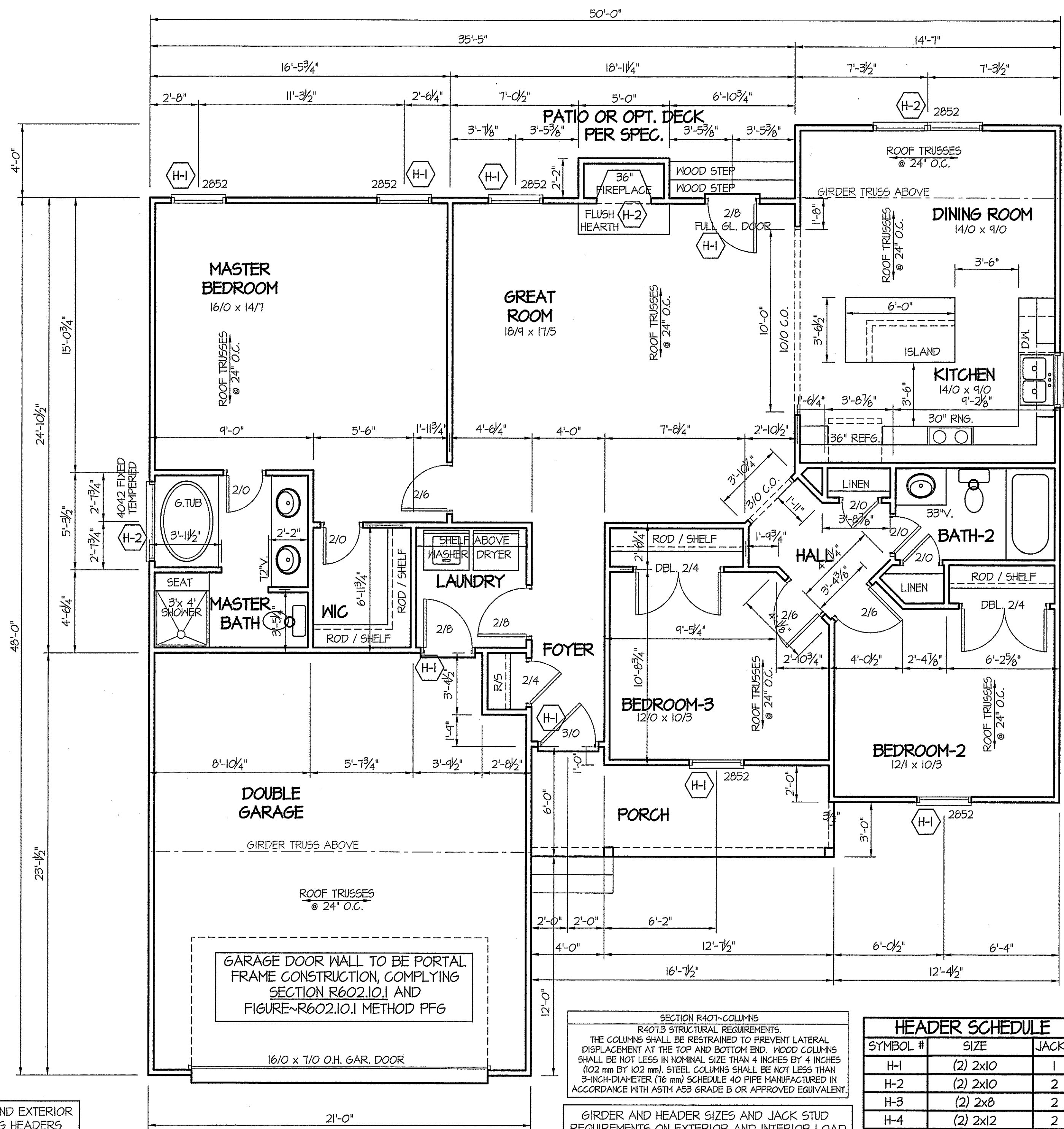


RIGHT ELEVATION
SCALE: 1/8" = 1'-0"



EXCLUSIVE PLAN FOR
FREEDOM FAMILY HOMES
HIGH POINT ~ LEFT

SHEET NO.
1

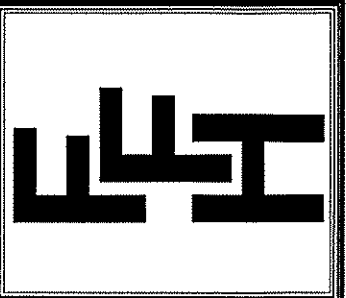


WIND ZONES (PER TABLE R301.2(4))

COUNTY	MPH
HARNETT	120
JOHNSTON	120
SAMPSON	130
WAKE	115

DATE:
JULY 24, 2019

FREEDOM FAMILY HOMES
P.O. BOX 608
DUNN, N.C. - 28335
O: (910) 892-1231 FAX: (910) 892-5680
© 2019, FREEDOM FAMILY HOMES



EXCLUSIVE PLAN FOR
FREEDOM FAMILY HOMES
HIGH POINT ~ LEFT

TABLE R602.7.5
MINIMUM NUMBER OF FULL HEIGHT STUDS AT EACH END OF HEADERS IN EXTERIOR WALLS

HEADER SPAN (feet)	MAX. STUD SPACING (Inches) [per Table R602.3(5)]	
	16	24
< 3'	1	1
4'	2	1
8'	3	2
12'	5	3
16'	6	4

ALL EXTERIOR WALLS TO BE SHEATHED WITH CS-WSP (1/16" OSB) IN ACCORDANCE WITH SECTION R602.10.3 UNLESS OTHERWISE NOTED.

8' CEILINGS UNLESS OTHERWISE NOTED
FLOOR PLAN
SCALE: 1/4" = 1'-0"
FIRST FLOOR HEATED FRAME AREA = 1511 S.F.
PORCH AREA = 87 S.F.
DOUBLE GARAGE AREA = 476 S.F.

SECTION R407-COLUMNS
R407.9 STRUCTURAL REQUIREMENTS.
THE COLUMNS SHALL BE RESTRAINED TO PREVENT LATERAL DISPLACEMENT AT THE TOP AND BOTTOM END. WOOD COLUMNS SHALL BE NOT LESS IN NOMINAL SIZE THAN 4 INCHES BY 4 INCHES (102 mm BY 102 mm). STEEL COLUMNS SHALL BE NOT LESS THAN 3-INCH-DIAMETER (76 mm) SCHEDULE 40 PIPE MANUFACTURED IN ACCORDANCE WITH ASTM A53 GRADE B OR APPROVED EQUIVALENT.

GIRDER AND HEADER SIZES AND JACK STUD REQUIREMENTS ON EXTERIOR AND INTERIOR LOAD BEARING WALLS ARE TO COINCIDE WITH TABLE EXT.~R602.7 (1) AND INT.~R602.7 (2).

HEADER SCHEDULE

SYMBOL #	SIZE	JACKS
H-1	(2) 2x10	1
H-2	(2) 2x10	2
H-3	(2) 2x8	2
H-4	(2) 2x12	2
H-5	(2) 1.75 x 4.25 LVL	3

ALL INTERIOR AND EXTERIOR LOAD BEARING HEADERS WILL BE 2x10 #2 SPF UNLESS OTHERWISE NOTED.

GARAGE DOOR WALL TO BE PORTAL FRAME CONSTRUCTION, COMPLYING SECTION R602.10.1 AND FIGURE~R602.10.1 METHOD PFG

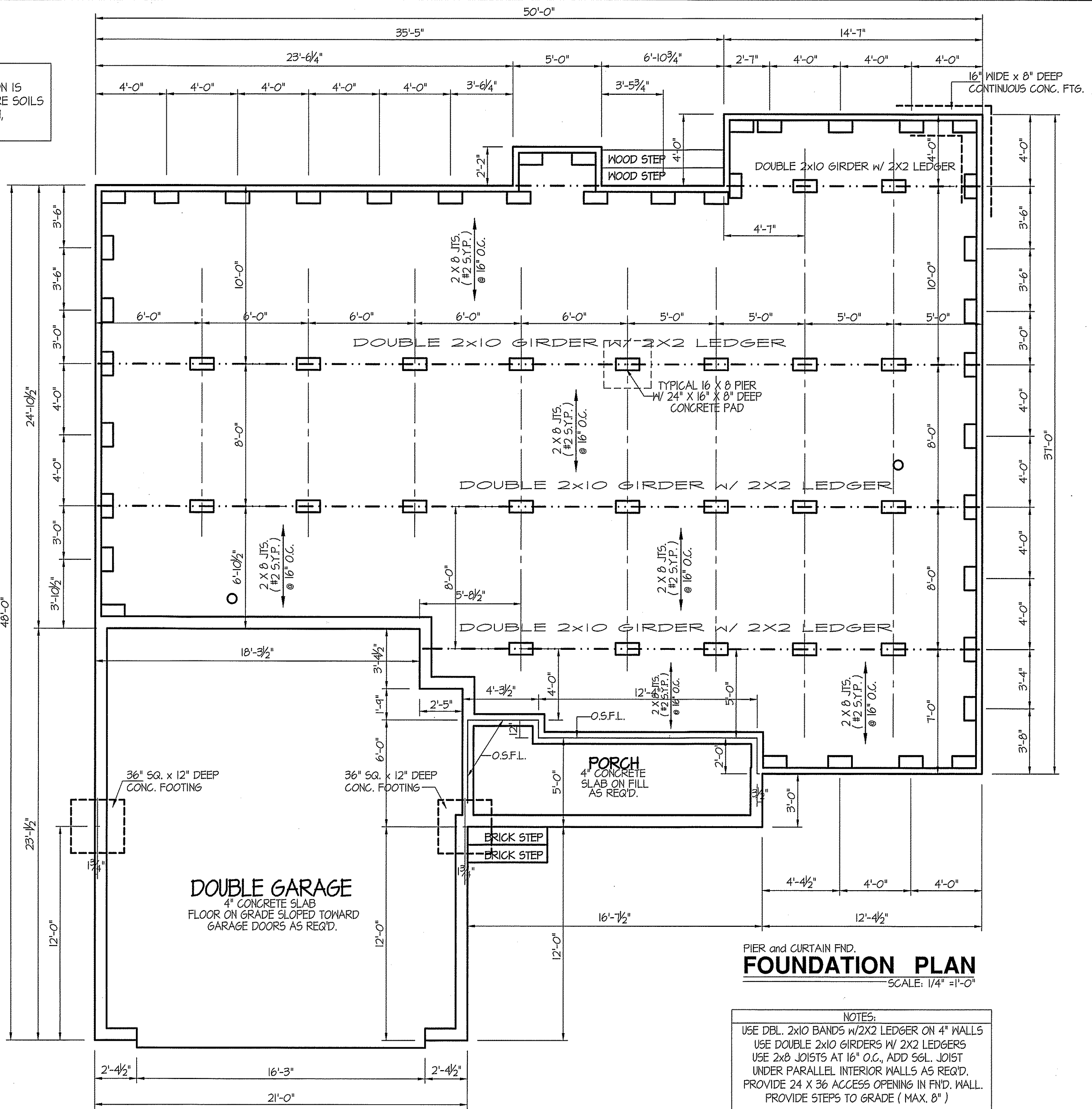
SHEET NO.
2

FOUNDATION DRAINAGE
 A DRAINAGE SYSTEM IS NOT REQUIRED WHEN THE FOUNDATION IS INSTALLED ON WELL-DRAINED GROUND OR SAND-GRAVEL MIXTURE SOILS ACCORDING TO THE UNIFIED SOIL CLASSIFICATION SYSTEM, GROUP 1 SOILS, AS DETAILED IN TABLE R405.1

FOUNDATION VENTILATION INFORMATION
 (MIN. NET AREA OF VENT. REQ'D. = 1/150)
 1511 S.F. (CRAWL) x .096 = 1450.56 S.I.
 USE 23" WITTEN AUTO. VENT" FN'D. VENTS @ 65 S.I. FREE NET AREA or EQUIVALENT.
 (MIN. NET AREA CAN BE REDUCED TO 1/1500)
 1511 S.F. (CRAWL) x .096 = 1450.56 S.I.
 USE 3" WITTEN AUTO. VENT" FN'D. VENTS @ 65 S.I. FREE NET AREA or EQUIVALENT.
 w/ APPROVED 6-mil POLYETHYLENE VAPOR RETARDER or EQUIVALENT IN CRAWL SPACE.
 REQUIRED VENTS ARE TO BE PLACED SO AS TO PROVIDE CROSS-VENTILATION OF THE CRAWL SPACE.

FOUNDATION ANCHORAGE
 THE WOOD SOLE PLATE AT EXTERIOR WALLS ON MONOLITHIC SLABS AND WOOD SILL PLATE SHALL BE ANCHORED TO THE FOUNDATION WITH ANCHOR BOLTS SPACED A MAXIMUM OF 4 FEET (1219.3 mm) ON CENTER AND NOT MORE THAN 12 INCHES (305 mm) FROM THE CORNER.
 BOLTS SHALL BE AT LEAST 1/2 INCH (12.7 mm) IN DIAMETER AND SHALL EXTEND A MINIMUM OF 15 INCHES (178 mm) INTO MASONRY OR CONCRETE.

ALL JOISTS AND GIRDERS WILL BE #2 S.Y.P.
 JOIST SPANS TO COINCIDE WITH REVISED TABLES R502.3.1(1) and R502.3.1(2) FROM 2018 NCR CODES
 GIRDER SPANS AND HEADER SPANS TO COINCIDE WITH TABLE R602.7(1), R602.7(2) AND R602.7(3).

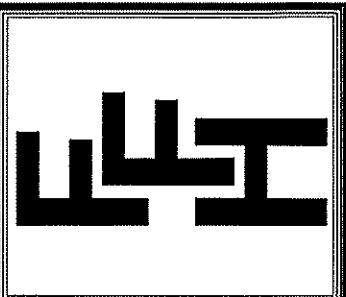


PIER and CURTAIN FND.
FOUNDATION PLAN
 SCALE: 1/4" = 1'-0"

NOTES:
 USE DBL. 2x10 BANDS w/2X2 LEDGER ON 4" WALLS
 USE DOUBLE 2x10 GIRDERS W/ 2X2 LEDGERS
 USE 2x8 JOISTS AT 16" O.C., ADD SGL. JOIST UNDER PARALLEL INTERIOR WALLS AS REQ'D.
 PROVIDE 24 X 36 ACCESS OPENING IN FN'D. WALL.
 PROVIDE STEPS TO GRADE (MAX. 8")

DATE:
 JULY 24, 2019

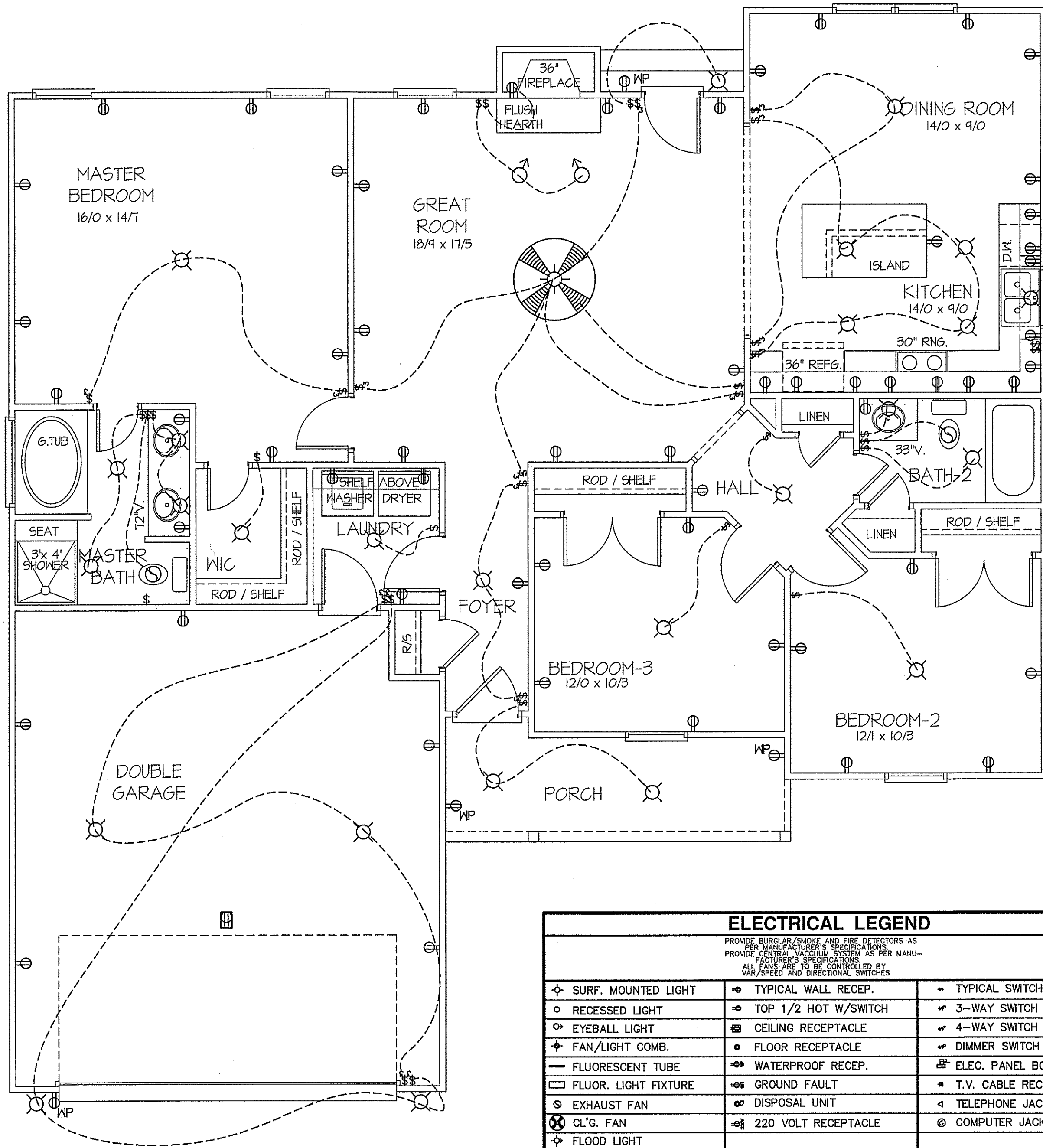
FREEDOM FAMILY HOMES
 P.O. BOX 608
 DUNN, N.C. - 28335
 O: (910) 892-1231 FAX: (910) 892-5680
 © 2019, FREEDOM FAMILY HOMES



EXCLUSIVE PLAN FOR
 FREEDOM FAMILY HOMES
HIGH POINT ~ LEFT

SHEET NO.
3

MAIN COMPUTER FILE: FFH - HIGH POINT - JULY-2019



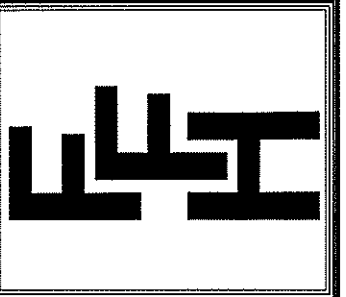
ELECTRICAL LEGEND		
<small>PROVIDE BURGLAR/SMOKE AND FIRE DETECTORS AS PER MANUFACTURER'S SPECIFICATIONS. PROVIDE CENTRAL VACUUM SYSTEM AS PER MANUFACTURER'S SPECIFICATIONS. ALL FANS ARE TO BE CONTROLLED BY VAR/SPEED AND DIRECTIONAL SWITCHES</small>		
⊕ SURF. MOUNTED LIGHT	⊕ TYPICAL WALL RECEP.	⊕ TYPICAL SWITCH
○ RECESSED LIGHT	⊕ TOP 1/2 HOT W/SWITCH	⊕ 3-WAY SWITCH
⊕ EYEBALL LIGHT	⊕ CEILING RECEPTACLE	⊕ 4-WAY SWITCH
⊕ FAN/LIGHT COMB.	⊕ FLOOR RECEPTACLE	⊕ DIMMER SWITCH
— FLUORESCENT TUBE	⊕ WATERPROOF RECEP.	⊕ ELEC. PANEL BOX
⊕ FLUOR. LIGHT FIXTURE	⊕ GROUND FAULT	⊕ T.V. CABLE RECEP.
⊕ EXHAUST FAN	⊕ DISPOSAL UNIT	⊕ TELEPHONE JACK
⊕ CL'G. FAN	⊕ 220 VOLT RECEPTACLE	⊕ COMPUTER JACK
⊕ FLOOD LIGHT		

8' CL'G. UNLESS OTHERWISE NOTE
ELECTRICAL FLOOR PLAN
 SCALE: 1/4" = 1'-0"

FIRST FLOOR HEATED FRAME AREA = 1511 S.F.
 PORCH AREA = 87 S.F.
 DOUBLE GARAGE AREA = 476 S.F.

DATE:
 JULY 24, 2019

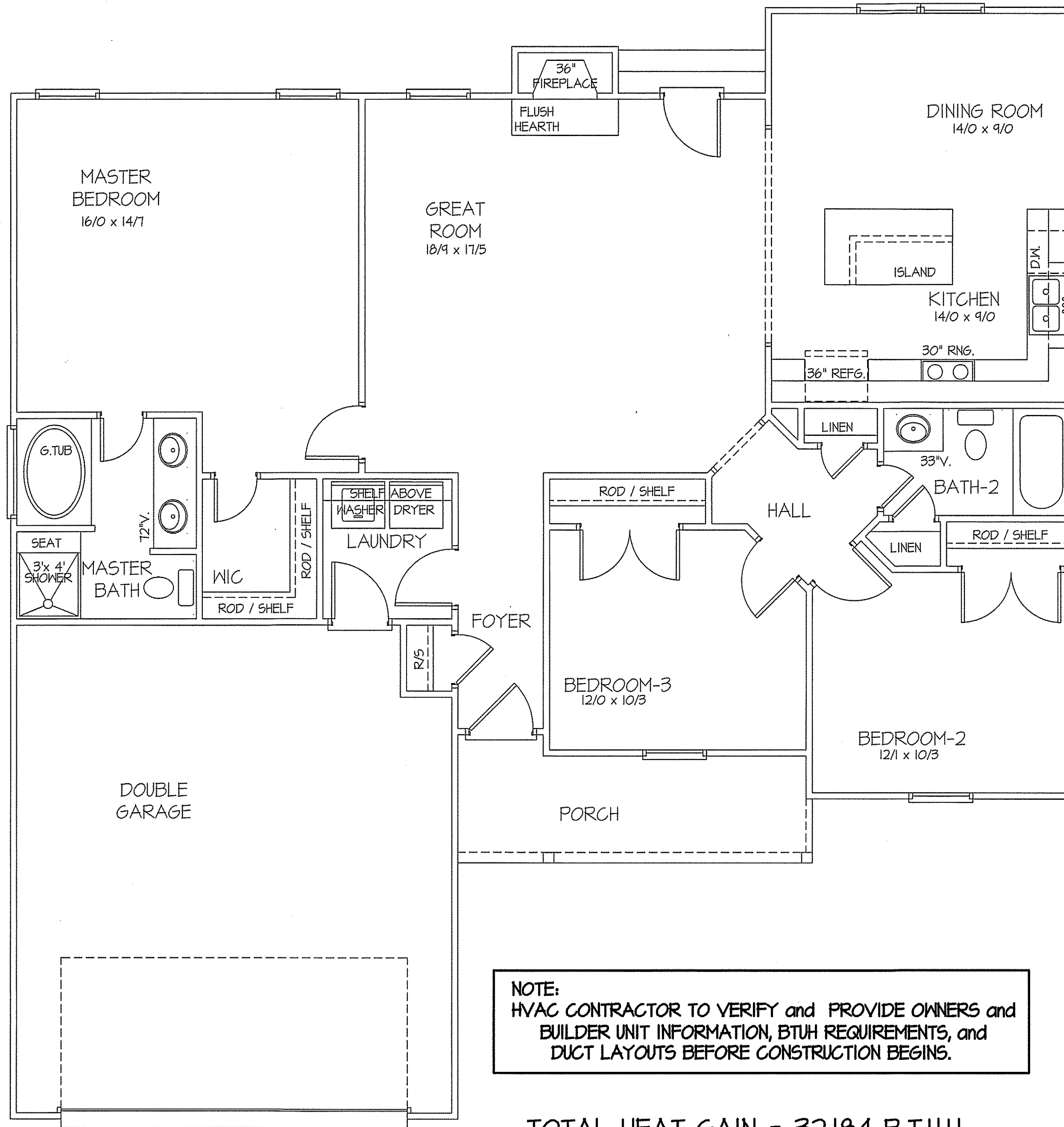
FREEDOM FAMILY HOMES
 P.O. BOX 608
 DUNN, N.C. - 28335
 O: (910) 892-1231 FAX: (910) 892-5680
 © 2019, FREEDOM FAMILY HOMES



PLAN:
**EXCLUSIVE PLAN FOR
 FREEDOM FAMILY HOMES
 HIGH POINT ~ LEFT**

SHEET NO.
4

MAIN COMPUTER FILE: FFH - HIGH POINT - JULY-2019



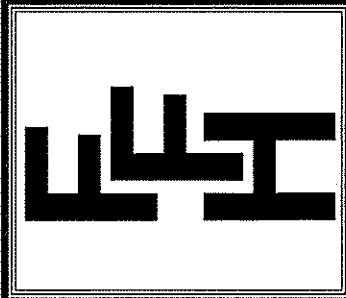
NOTE:
 HVAC CONTRACTOR TO VERIFY and PROVIDE OWNERS and
 BUILDER UNIT INFORMATION, BTUH REQUIREMENTS, and
 DUCT LAYOUTS BEFORE CONSTRUCTION BEGINS.

TOTAL HEAT GAIN = 32,184 B.T.U.H.
 TOTAL HEAT LOSS = 45,632 B.T.U.H.

8' CEILINGS UNLESS OTHERWISE NOTED
HVAC
FLOOR PLAN
 SCALE: 1/4" = 1'-0"
 FIRST FLOOR HEATED FRAME AREA = 1511 S.F.
 PORCH AREA = 87 S.F.
 DOUBLE GARAGE AREA = 476 S.F.

DATE:
 JULY 24, 2019

FREEDOM FAMILY HOMES
 P.O. BOX 608
 DUNN, N.C. - 28335
 O: (910) 892-1231 FAX: (910) 892-5680
 ©2019, FREEDOM FAMILY HOMES



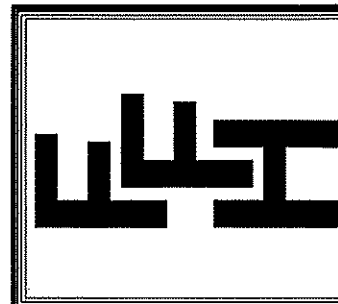
EXCLUSIVE PLAN FOR
 FREEDOM FAMILY HOMES
HIGH POINT ~ LEFT

SHEET NO.
5

DATE:

JULY 24, 2019

FREEDOM FAMILY HOMES
 P.O. BOX 608
 DUNN, N.C. - 28335
 O: (910) 892-1231 FAX: (910) 892-5680
 ©2019, FREEDOM FAMILY HOMES

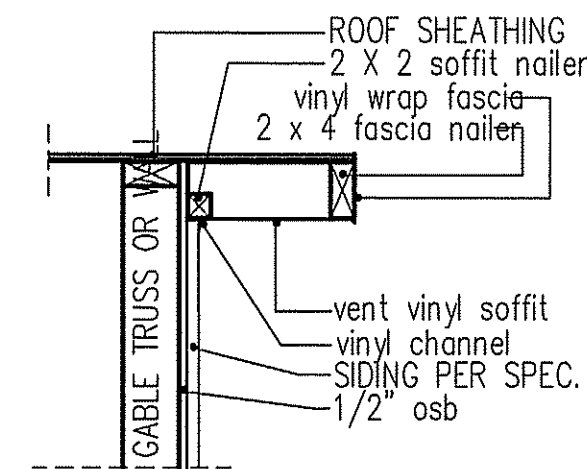
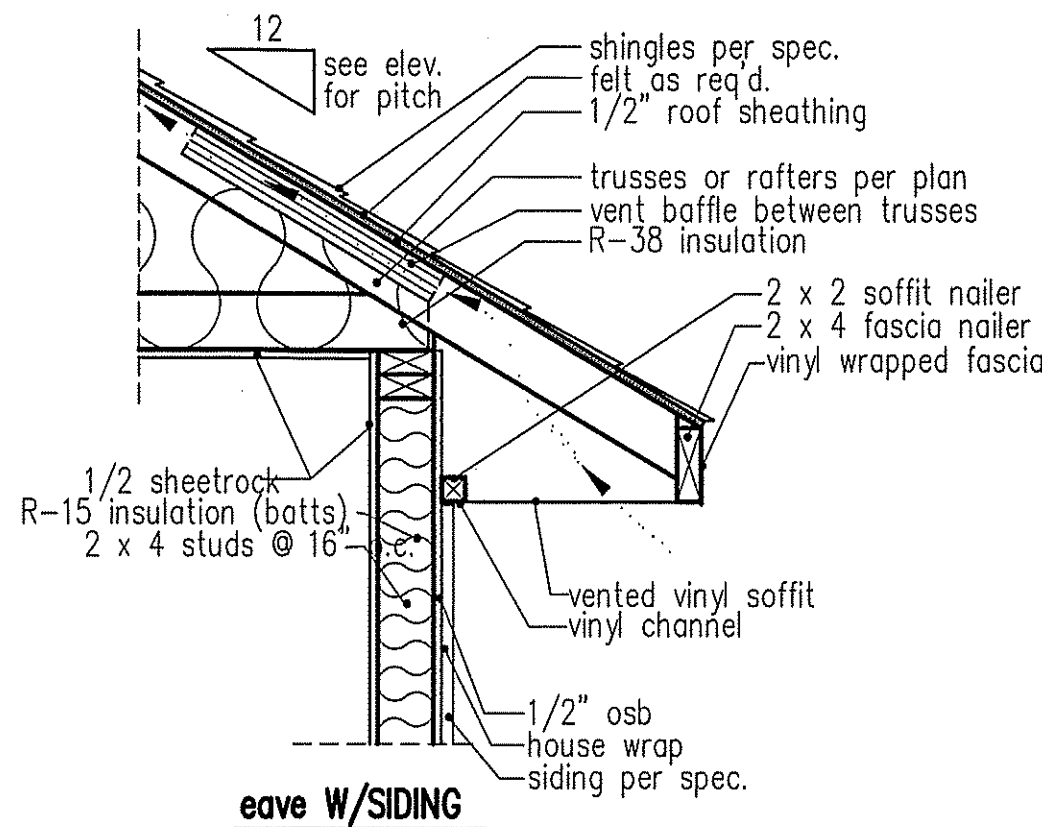
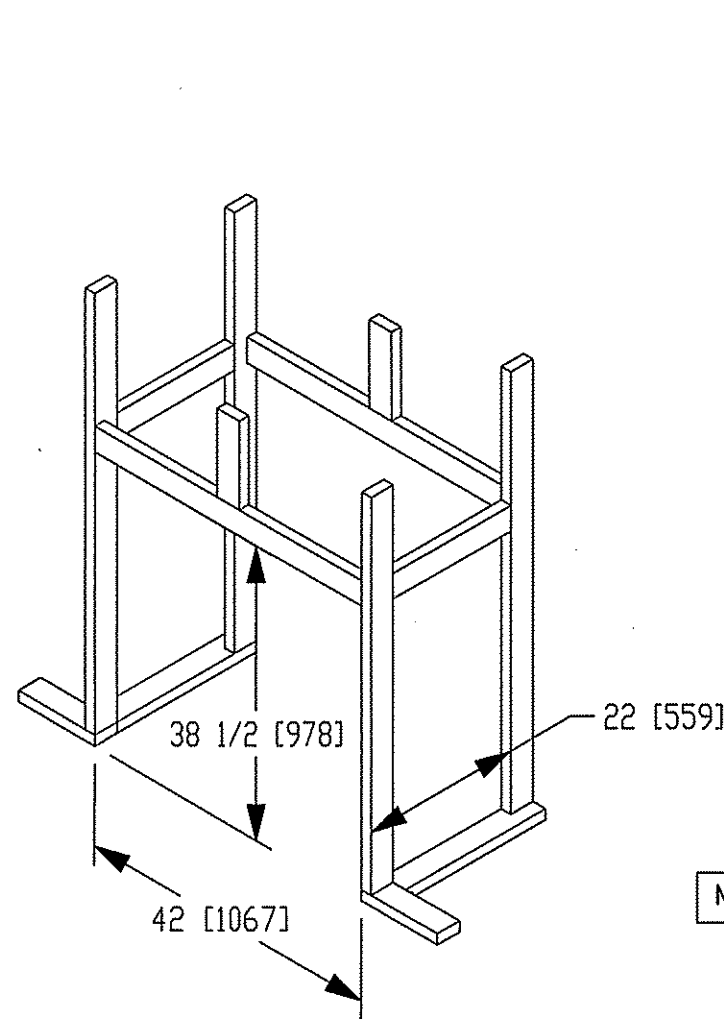


**EXCLUSIVE PLAN FOR
 FREEDOM FAMILY HOMES
 HIGH POINT**

PLAN:

SHEET NO.

6



RAKE w/SIDING

NOTE: OVERHANG DISTANCE NOTED ON ELEVATION SHEET IS ALWAYS MEASURED FROM FRAME LINE

NOTE: OVERHANG DISTANCE NOTED ON ELEVATION SHEET IS ALWAYS MEASURED FROM FRAME LINE

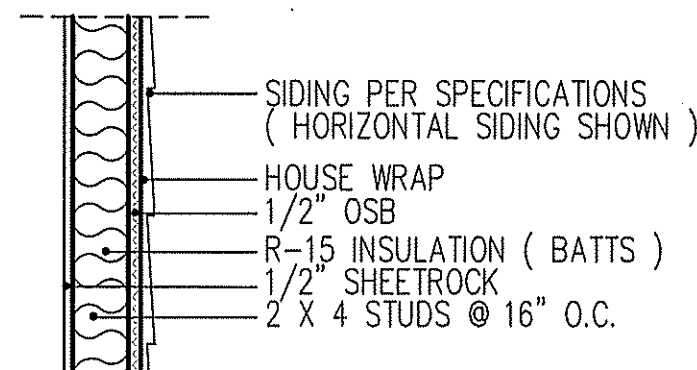
standard eave details

DIMENSIONS IN [] ARE MM

SPECIFICATIONS

Model 6000-TR	Height		Front Width		Back Width		Depth		Glass Size	BTU Input
	Actual	Framing	Actual	Framing	Actual	Framing	Actual	Framing		
Inches	38	38-1/2	41	42	28-1/2	42	21-1/2	22		

Reference dimensions only. We recommend measuring individual units at installation.



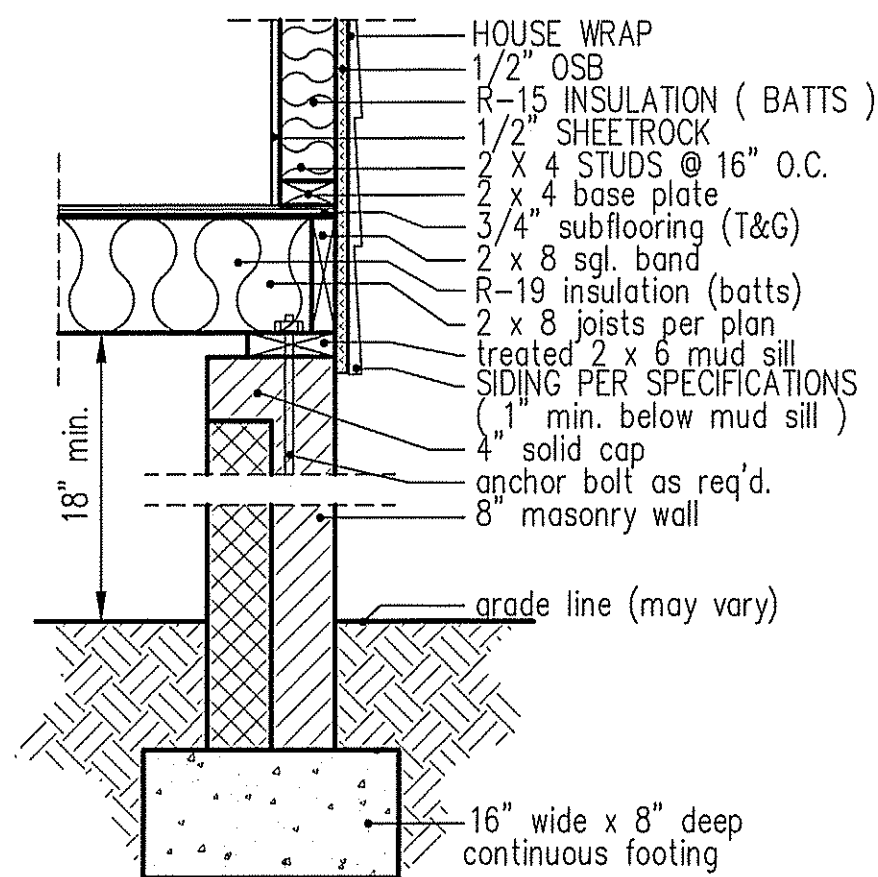
WALL w/siding

**intermediate
 wall details**

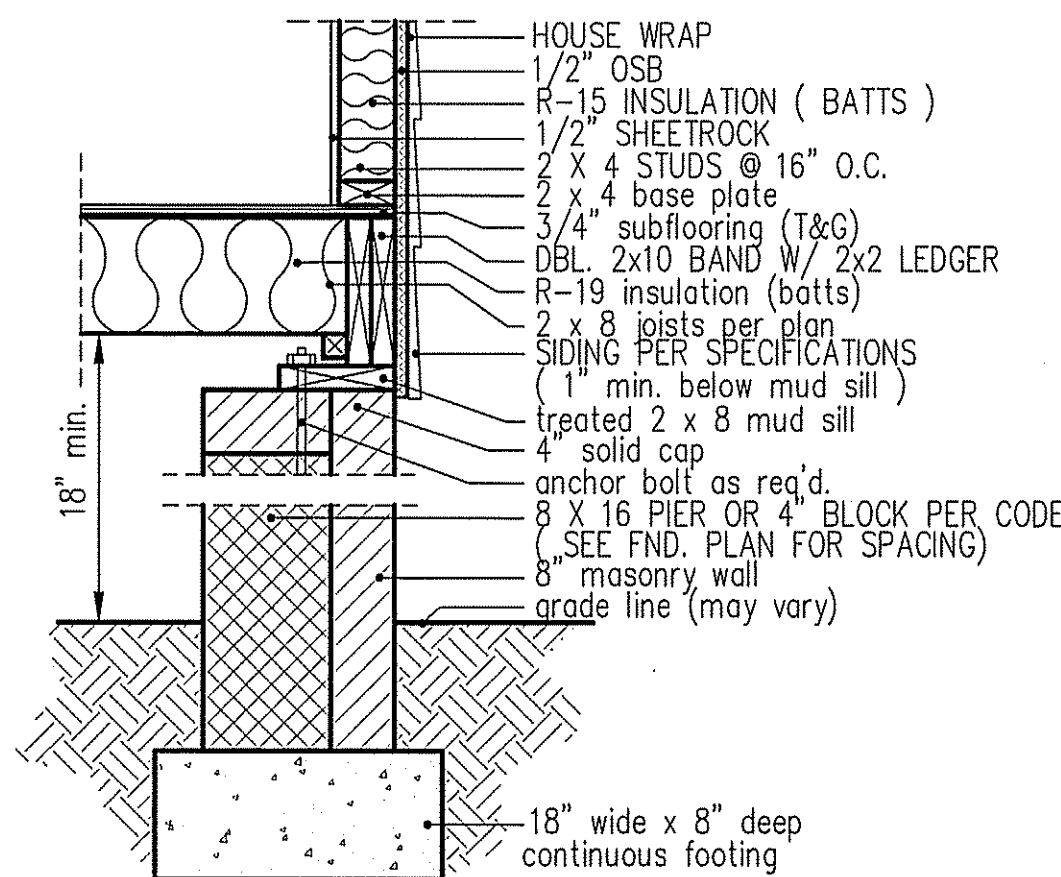
TABLE R602.7.5
 MINIMUM NUMBER OF FULL HEIGHT STUDS
 AT EACH END OF HEADERS IN EXTERIOR WALLS

HEADER SPAN (feet)	MAX. STUD SPACING (Inches) [per Table R602.3(5)]	
	16	24
< 3'	1	1
4'	2	1
8'	3	2
12'	5	3
16'	6	4

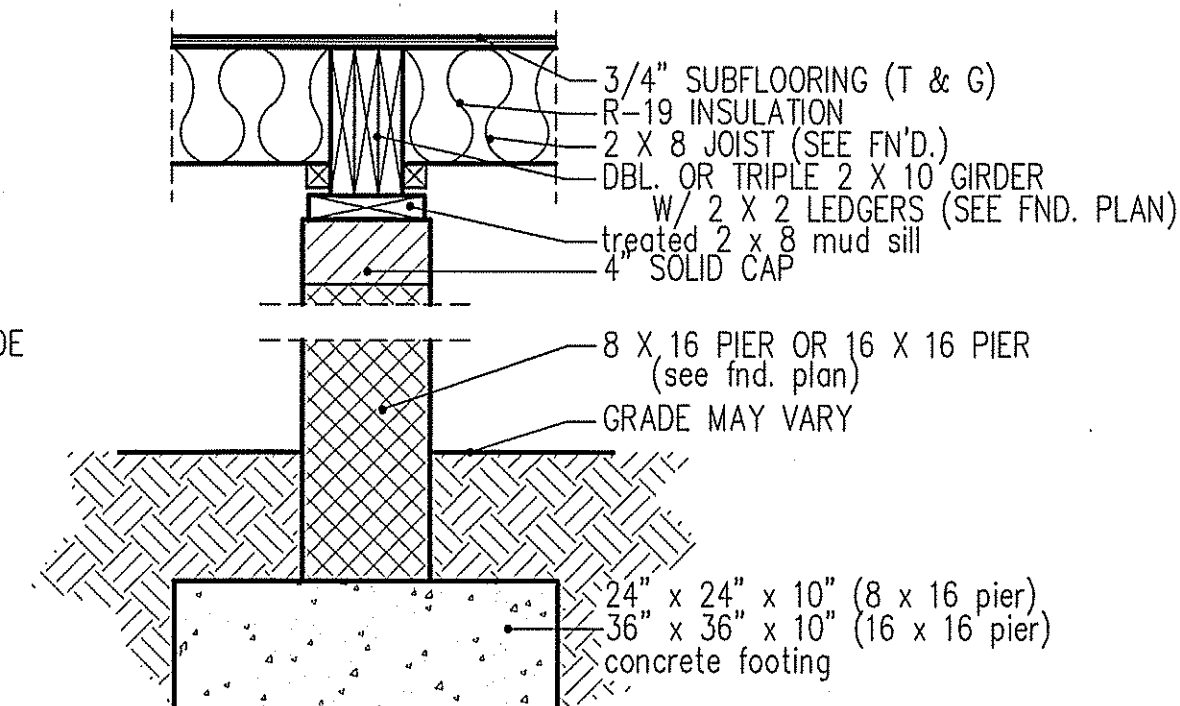
GIRDER AND HEADER SIZES AND JACK STUD REQUIREMENTS ON EXTERIOR AND INTERIOR LOAD BEARING WALLS ARE TO COINCIDE WITH TABLE EXT.-R602.7 (1) AND INT.-R602.7 (2).



**8" BOX SILL
 FOUNDATION WALL**



**PIER and CURTAIN
 FOUNDATION WALL**



**PIER and GIRDER
 DETAIL**