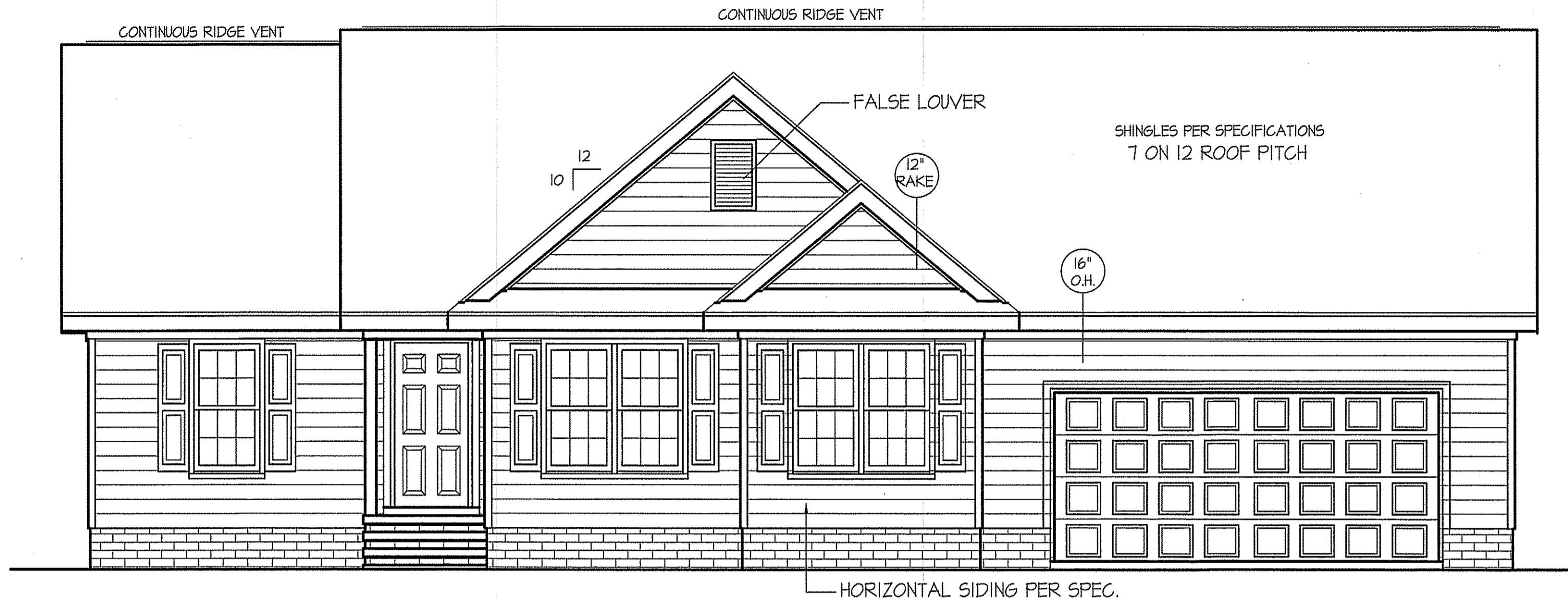


THIS PLAN IS DESIGNED TO MEET THE REQUIREMENTS OF THE NORTH CAROLINA RESIDENTIAL CODE 2018 EDITION



FRONT ELEVATION

SCALE: 1/4" = 1'-0"

WIND ZONES (PER TABLE R301.2(4))

COUNTY	MPH
HARNETT	120
JOHNSTON	120
SAMPSON	130
WAKE	115

ROOF VENTILATION REQ'MTS.
2125 ATTIC SQ. FT. / 300 = 7.08

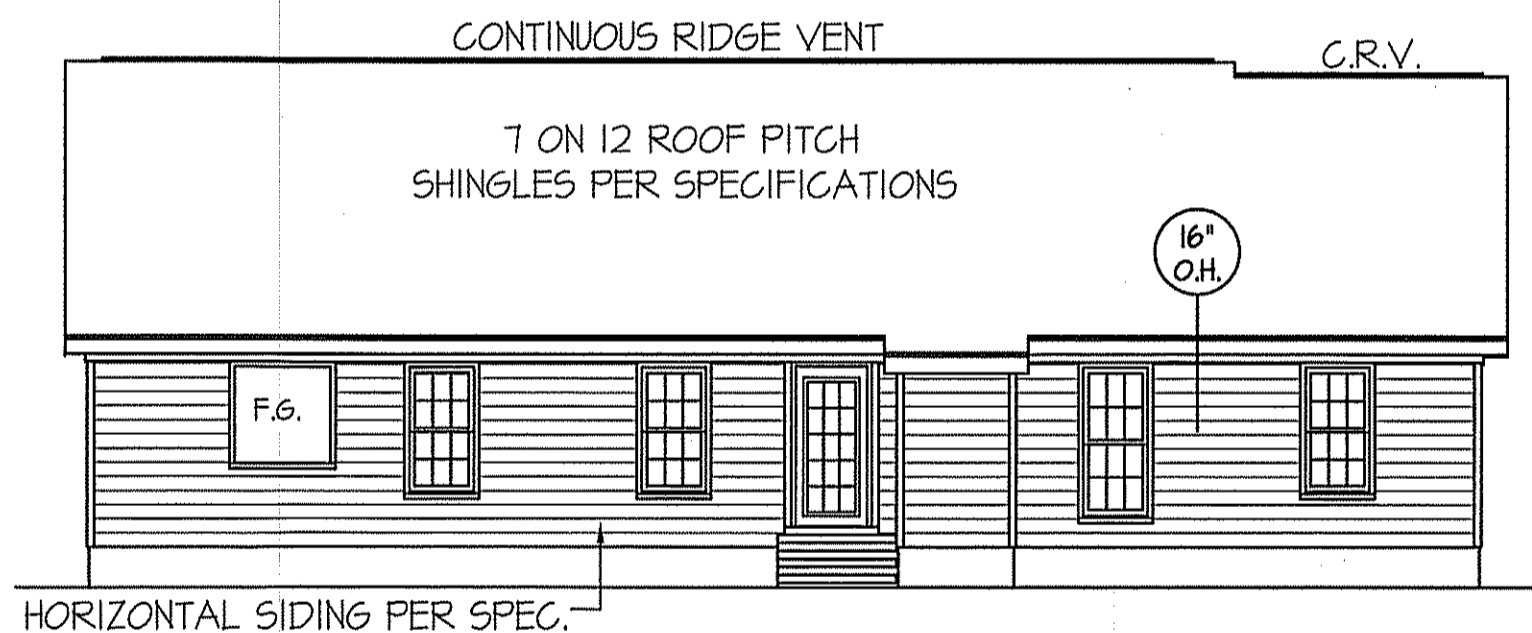
PROVIDED ON PLAN
76 L.F. RIDGE VENT = 14.25
120 L.F. SOFFIT VENT = 7.5
TOTAL = 21.75 S.F. FREE NET AREA

INSULATION and FENESTRATION REQUIREMENTS

CLIMATE ZONE	ZONE-3	ZONE-4
FENESTRATION U-FACTOR	0.35	0.35
GLAZED FENESTRATION SHGC	0.30	0.30
MINIMUM CEILING R-VALUE	R-30	R-30
MINIMUM WALL R-VALUE	R-15, I3+2.5	R-15, I3+2.5
MINIMUM FLOOR R-VALUE	R-19	R-19
MIN. CRAWL SPACE WALL R-VALUE	5/13	10/15
MIN. SLAB R-VALUE	0	R-10

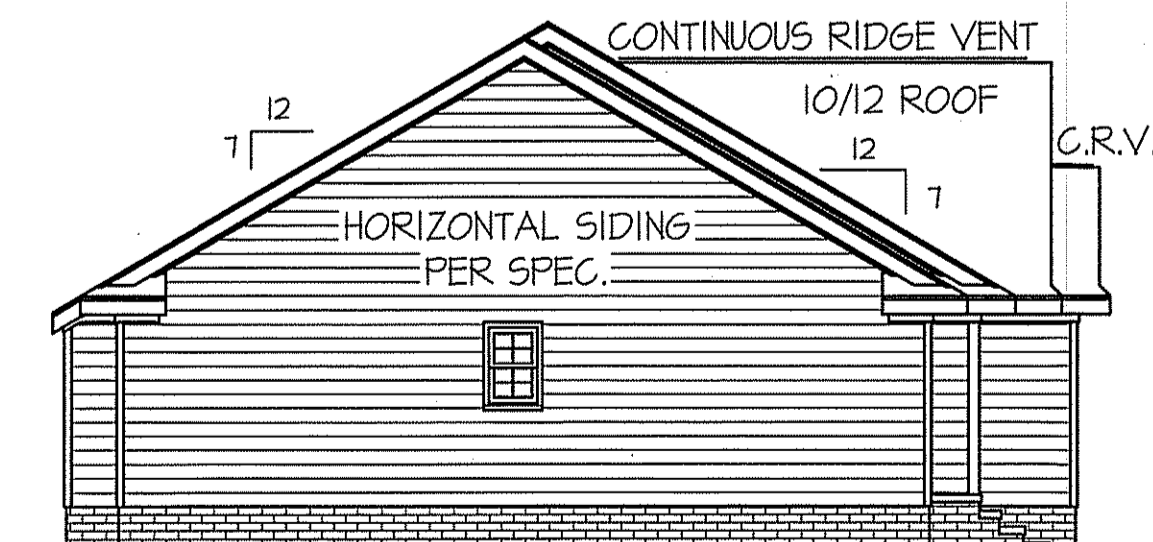
PROVIDE STEPS AS REQUIRED
GRADE MAY VARY - BUILDER TO VERIFY

ALL EXTERIOR WALLS TO BE
SHEATHED WITH CS-WSP (7/16" OSB)
IN ACCORDANCE WITH SECTION
R602.10.3 UNLESS OTHERWISE NOTED.



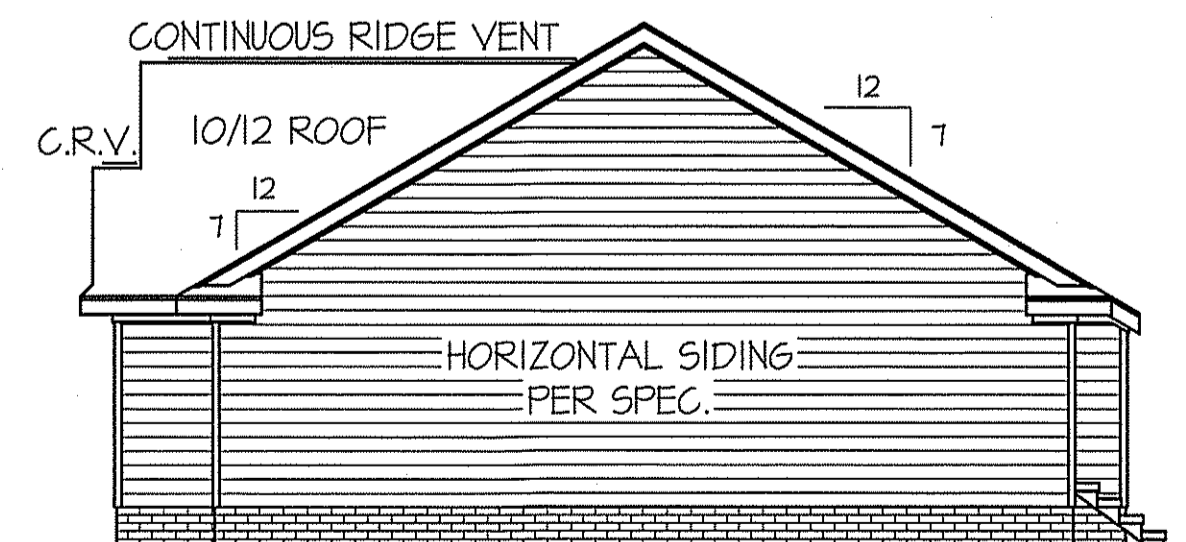
REAR ELEVATION

SCALE: 1/8" = 1'-0"



LEFT ELEVATION

SCALE: 1/8" = 1'-0"

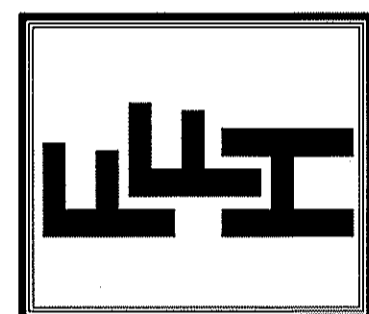


RIGHT ELEVATION

SCALE: 1/8" = 1'-0"

DATE:
JUNE 23, 2021

FREEDOM FAMILY HOMES
P.O. BOX 608
DUNN, N.C. - 28335
O: (910) 892-1231 FAX: (910) 892-5680
© 2021, FREEDOM FAMILY HOMES



EXCLUSIVE PLAN FOR
FREEDOM FAMILY HOMES
ROANOKE II ~ RIGHT

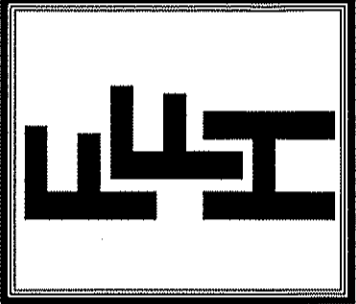
SHEET NO.
1

WIND ZONES (PER TABLE R301.2(4))

COUNTY	MPH
HARNETT	120
JOHNSTON	120
SAMPSON	130
WAKE	115

DATE:
JUNE 23, 2021

FREEDOM FAMILY HOMES
P.O. BOX 608
DUNN, N.C. - 28335
O: (910) 892-1231 FAX: (910) 892-5680
© 2021, FREEDOM FAMILY HOMES



EXCLUSIVE PLAN FOR
FREEDOM FAMILY HOMES
ROANOKE II ~ RIGHT

PLAN:

SHEET NO.

2

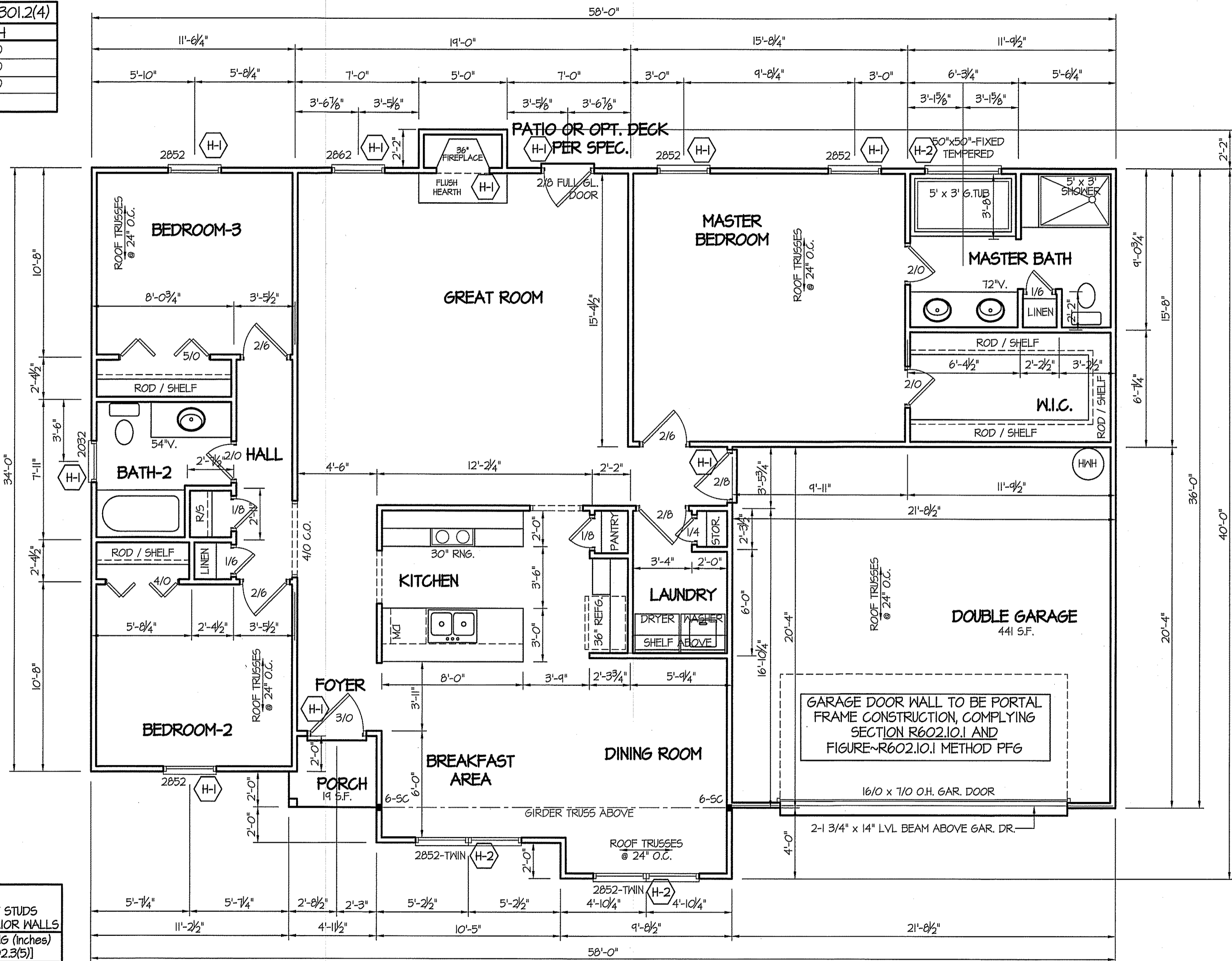


TABLE R602.7.5
MINIMUM NUMBER OF FULL HEIGHT STUDS
AT EACH END OF HEADERS IN EXTERIOR WALLS

HEADER SPAN (feet)	MAX. STUD SPACING (Inches) [per Table R602.3(5)]	
	16	24
< 3'	1	1
4'	2	1
8'	3	2
12'	5	3
16'	6	4

GIRDER AND HEADER SIZES AND JACK STUD REQUIREMENTS ON EXTERIOR AND INTERIOR LOAD BEARING WALLS ARE TO COINCIDE WITH TABLE EXT.~R602.7 (1) AND INT.~R602.7 (2).

ALL EXTERIOR WALLS TO BE SHEATHED WITH CS-WSP (7/16" OSB) IN ACCORDANCE WITH SECTION R602.10.3 UNLESS OTHERWISE NOTED.

ALL INTERIOR AND EXTERIOR LOAD BEARING HEADERS WILL BE 2x10 #2 SPF UNLESS OTHERWISE NOTED.

HEADER SCHEDULE

SYMBOL #	SIZE	JACKS
H-1	(2) 2x10	1
H-2	(2) 2x10	2
H-3	(2) 2x8	2
H-4	(2) 2x12	2
H-5	(2) 1.75 x 4.25 LVL	3

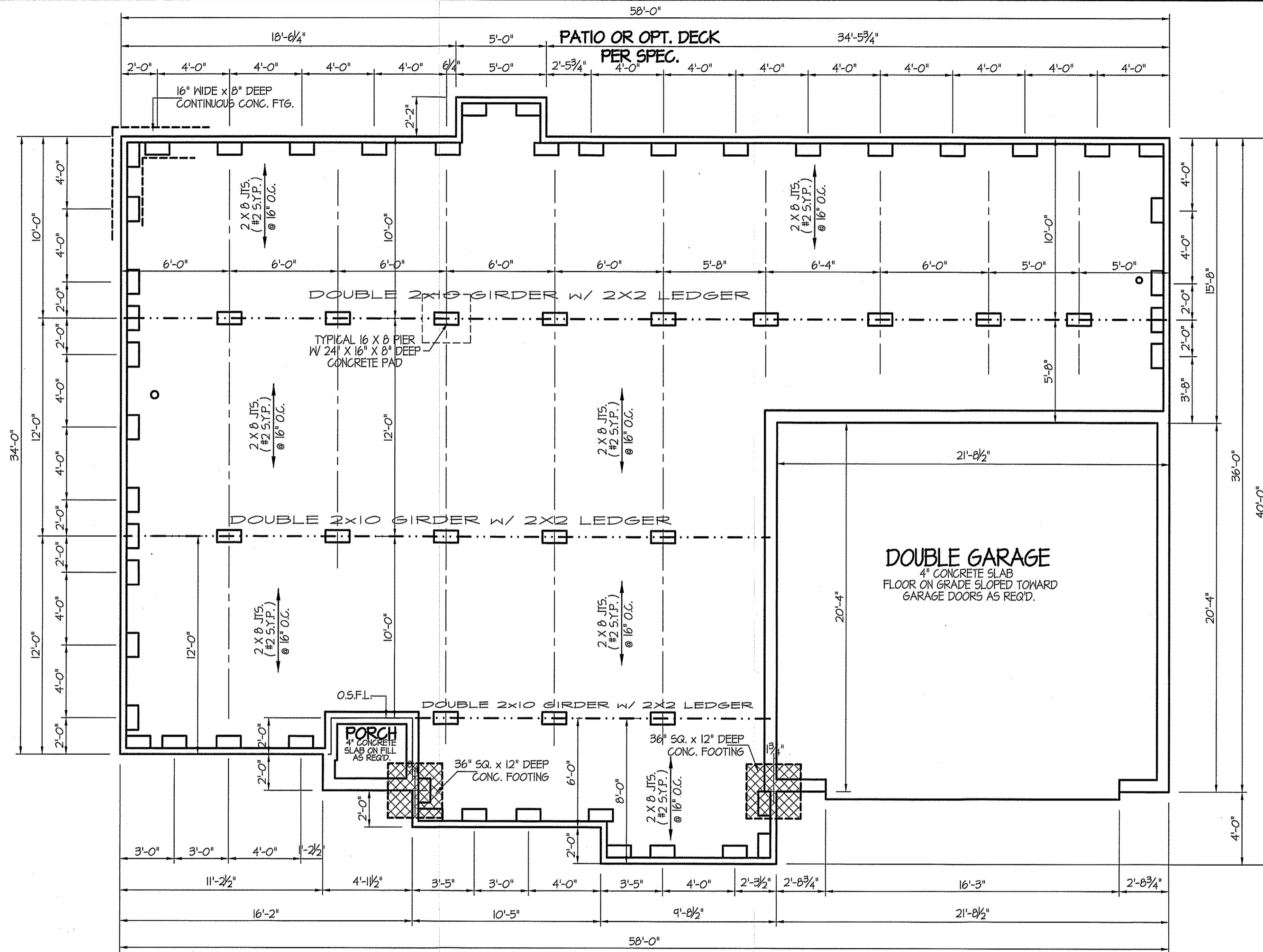
SECTION R407~COLUMNS
R407.3 STRUCTURAL REQUIREMENTS.
THE COLUMNS SHALL BE RESTRAINED TO PREVENT LATERAL DISPLACEMENT AT THE TOP AND BOTTOM END. WOOD COLUMNS SHALL BE NOT LESS IN NOMINAL SIZE THAN 4 INCHES BY 4 INCHES (102 mm BY 102 mm). STEEL COLUMNS SHALL BE NOT LESS THAN 3-INCH-DIAMETER (76 mm) SCHEDULE 40 PIPE MANUFACTURED IN ACCORDANCE WITH ASTM A53 GRADE B OR APPROVED EQUIVALENT.

8' CEILINGS UNLESS OTHERWISE NOTED
FLOOR PLAN

SCALE: 1/4" = 1'-0"
FIRST FLOOR HEATED FRAME AREA = 1665 S.F.
PORCH AREA = 19 S.F.
DOUBLE GARAGE AREA = 441 S.F.

MAIN COMPUTER FILE: FFH - ROANOKE II - JUNE-2021

MAIN COMPUTER FILE: FFH - ROANOKE - SEPT.-2014



ALL JOISTS AND GIRDERS WILL BE #2 S.Y.P.
 JOIST SPANS TO COINCIDE WITH REVISED TABLES
 R502.3.1(1) AND R502.3.1(2) FROM 2018 NCR CODES
 GIRDER SPANS AND HEADER SPANS TO COINCIDE
 WITH TABLE R602.7(1), R602.7(2) AND R602.7(3).

FOUNDATION DRAINAGE
 A DRAINAGE SYSTEM IS NOT REQUIRED WHEN THE FOUNDATION IS
 INSTALLED ON WELL-DRAINED GROUND OR SAND-GRAVEL MIXTURE SOILS
 ACCORDING TO THE UNIFIED SOIL CLASSIFICATION SYSTEM,
 GROUP I SOILS, AS DETAILED IN TABLE R405.1

PIER and CURTAIN FND.
FOUNDATION PLAN
 SCALE: 1/4" = 1'-0"

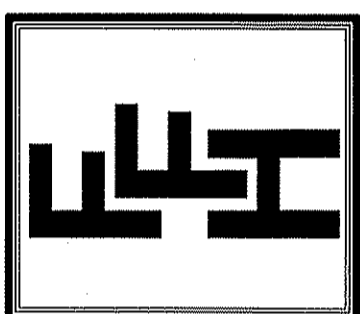
FOUNDATION ANCHORAGE
 THE WOOD SOLE PLATE AT EXTERIOR WALLS ON MONOLITHIC
 SLABS AND WOOD SILL PLATE SHALL BE ANCHORED TO
 THE FOUNDATION WITH ANCHOR BOLTS SPACED A MAXIMUM
 OF 4 FEET (1219.3 mm) ON CENTER AND NOT MORE
 THAN 12 INCHES (305 mm) FROM THE CORNER.
 BOLTS SHALL BE AT LEAST 1/2 INCH (12.7 mm) IN DIAMETER
 AND SHALL EXTEND A MINIMUM OF 15 INCHES (381 mm)
 INTO MASONRY OR CONCRETE.

NOTES:
 USE DBL. 2x10 BANDS w/2x2 LEDGER ON 4" WALLS
 USE DOUBLE 2x10 GIRDERS w/ 2x2 LEDGERS
 USE 2x8 JOISTS AT 16" O.C., ADD 56L. JOIST
 UNDER PARALLEL INTERIOR WALLS AS REQ'D.
 PROVIDE 24 X 36 ACCESS OPENING IN FND. WALL.
 PROVIDE STEPS TO GRADE (RISER @ MAX. 8")

FOUNDATION VENTILATION INFORMATION
 (MIN. NET AREA OF VENT. REQ'D. = 1/150)
 1665 S.F. (CRAWL) x .96 = 1598.40 S.I.
 USE 25 " WITTEN AUTO. VENT" FND. VENTS
 @ 65 S.I. FREE NET AREA OR EQUIVALENT.
 (MIN. NET AREA CAN BE REDUCED TO 1/1500)
 1665 S.F. (CRAWL) x .096 = 159.84 S.I.
 USE 3 " WITTEN AUTO. VENT" FND. VENTS
 @ 65 S.I. FREE NET AREA OR EQUIVALENT.
 w/ APPROVED 6-mil POLYETHYLENE VAPOR RETARDER
 OR EQUIVALENT IN CRAWL SPACE.
 REQUIRED VENTS ARE TO BE PLACED SO AS TO
 PROVIDE CROSS-VENTILATION OF THE CRAWL SPACE.

DATE:
 JUNE 23, 2021

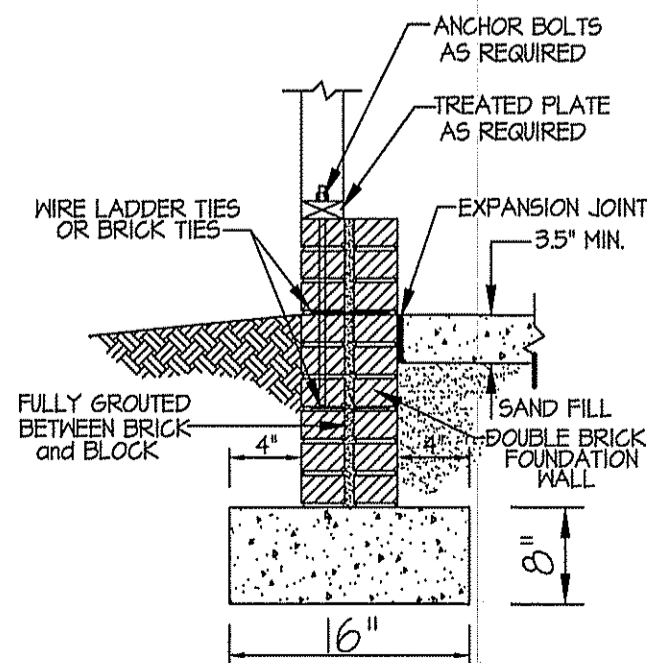
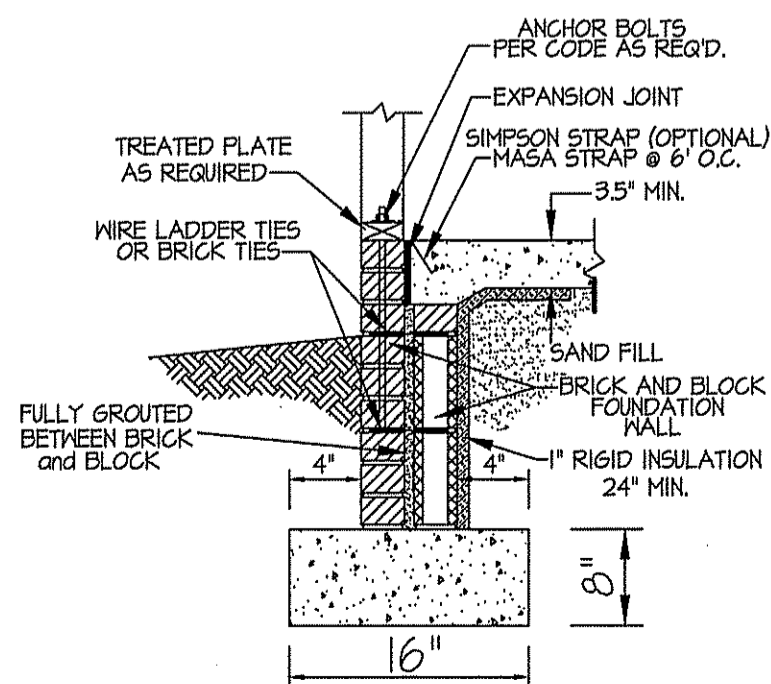
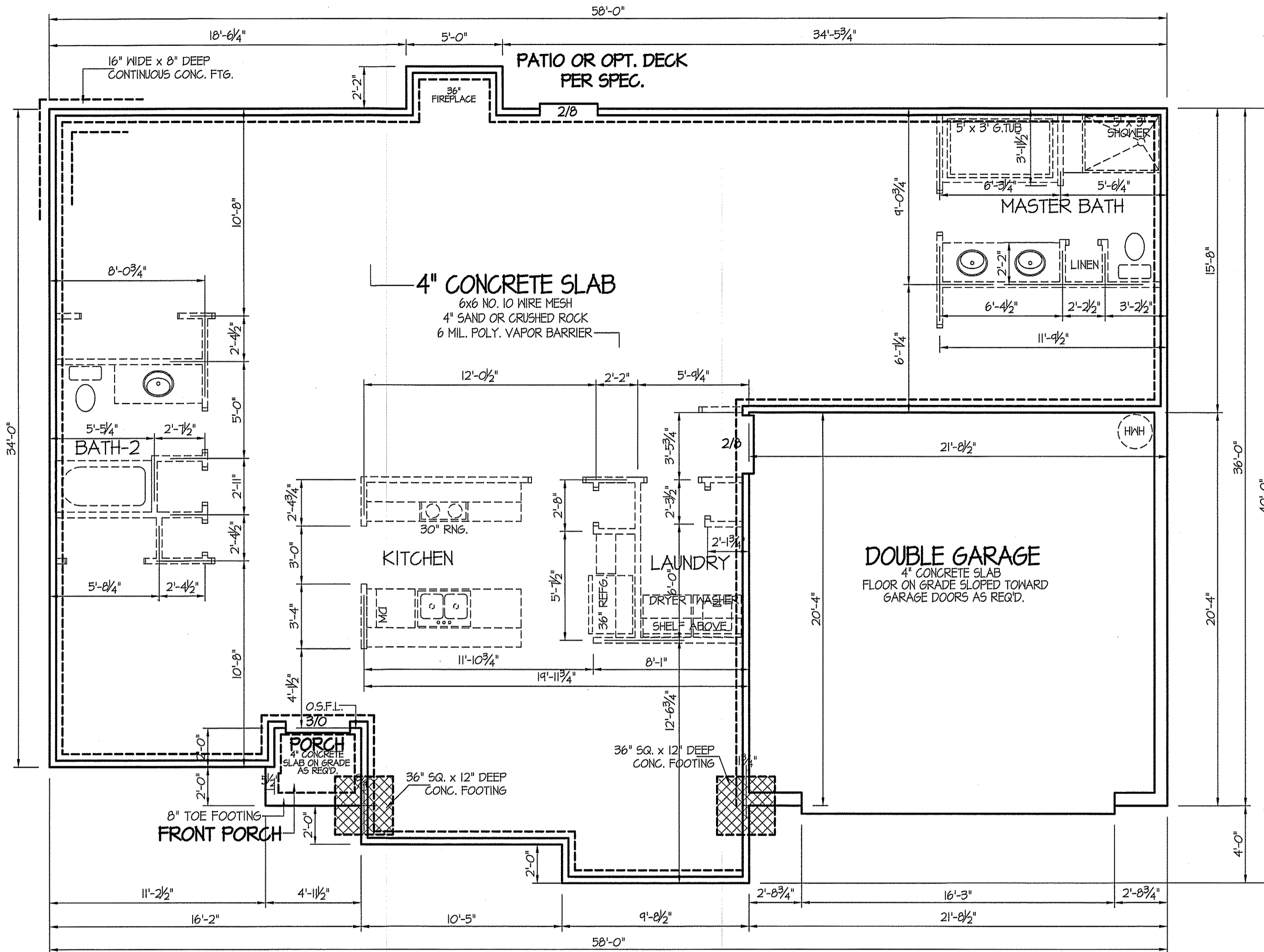
FREEDOM FAMILY HOMES
 P.O. BOX 608
 DUNN, N.C. - 28335
 O: (910) 892-1231 FAX: (910) 892-5680
 © 2021, FREEDOM FAMILY HOMES



EXCLUSIVE PLAN FOR
 FREEDOM FAMILY HOMES
ROANOKE II ~ RIGHT

PLAN:
 SHEET NO.
3

MAIN COMPUTER FILE: FFH - ROANOKE - SEPT. 2014



FOUNDATION ANCHORAGE
THE WOOD SOLE PLATE AT EXTERIOR WALLS ON MONOLITHIC SLABS AND WOOD SILL PLATE SHALL BE ANCHORED TO THE FOUNDATION WITH ANCHOR BOLTS SPACED A MAXIMUM OF 4 FEET (1219.3 mm) ON CENTER AND NOT MORE THAN 12 INCHES (305 mm) FROM THE CORNER. BOLTS SHALL BE AT LEAST 1/2 INCH (12.7 mm) IN DIAMETER AND SHALL EXTEND A MINIMUM OF 15 INCHES (381 mm) INTO MASONRY OR CONCRETE.

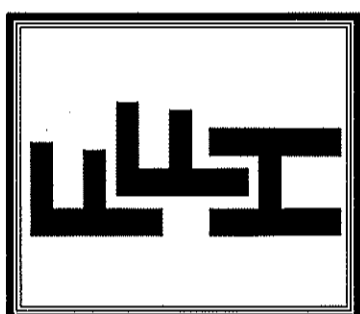
FOUNDATION DRAINAGE
A DRAINAGE SYSTEM IS NOT REQUIRED WHEN THE FOUNDATION IS INSTALLED ON WELL-DRAINED GROUND OR SAND-GRAVEL MIXTURE SOILS ACCORDING TO THE UNIFIED SOIL CLASSIFICATION SYSTEM, GROUP I SOILS, AS DETAILED IN TABLE R405.1

N.C. SPECIFIC
COMcheck or ASHRAE 90.1
2013 COMcheck SHALL BE PERMITTED
TO DEMONSTRATE COMPLIANCE
WITH THE N.C. 2018 ENERGY
CONSERVATION CODES.
(SECTION C401.2 (3))

SLAB
FOUNDATION PLAN
SCALE: 1/4" = 1'-0"

DATE:
JULY 13, 2021

FREEDOM FAMILY HOMES
P.O. BOX 608
DUNN, N.C. - 28335
O: (910) 892-1231 FAX: (910) 892-5680
© 2021, FREEDOM FAMILY HOMES

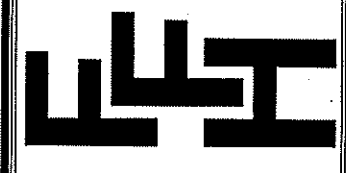


EXCLUSIVE PLAN FOR
FREEDOM FAMILY HOMES
ROANOKE II ~ RIGHT

PLAN:
SHEET NO.
3S

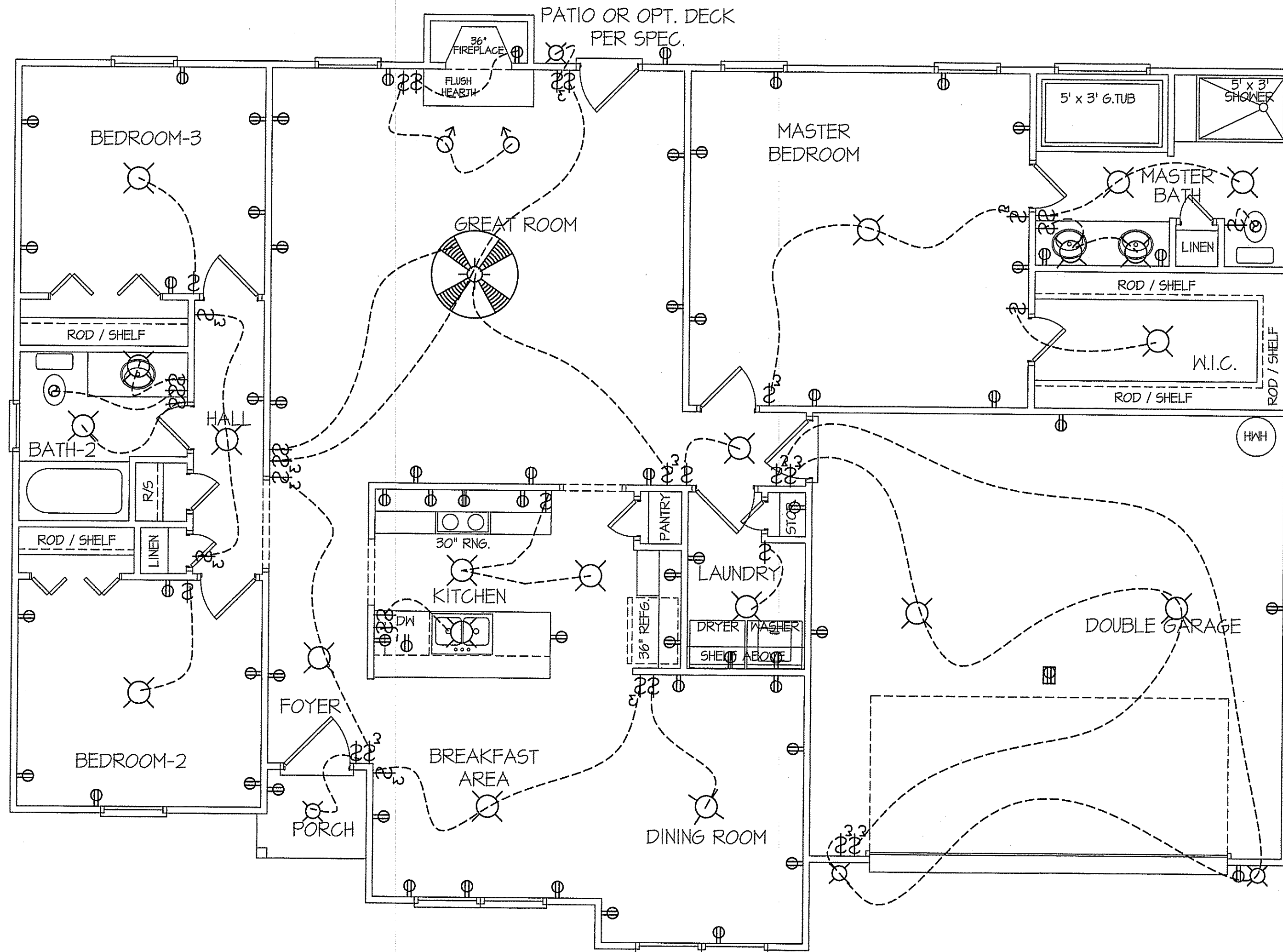
DATE:
JUNE 23, 2021

FREEDOM FAMILY HOMES
P.O. BOX 608
DUNN, N.C. - 28335
O: (910) 892-1231 FAX: (910) 892-5680
© 2021, FREEDOM FAMILY HOMES



EXCLUSIVE PLAN FOR
FREEDOM FAMILY HOMES
ROANOKE II ~ RIGHT

SHEET NO.
4



ELECTRICAL LEGEND		
<small>PROVIDE BURGLAR/SMOKE AND FIRE DETECTORS AS PER MANUFACTURER'S SPECIFICATIONS. PROVIDE CENTRAL VACUUM SYSTEM AS PER MANUFACTURER'S SPECIFICATIONS. ALL FANS ARE TO BE CONTROLLED BY VAR/SPEED AND DIRECTIONAL SWITCHES</small>		
◆ SURF. MOUNTED LIGHT	⊕ TYPICAL WALL RECEP.	• TYPICAL SWITCH
○ RECESSED LIGHT	⊕ TOP 1/2 HOT W/SWITCH	• 3-WAY SWITCH
⊙ EYEBALL LIGHT	⊕ CEILING RECEPTACLE	• 4-WAY SWITCH
◆ FAN/LIGHT COMB.	⊕ FLOOR RECEPTACLE	• DIMMER SWITCH
— FLUORESCENT TUBE	⊕ WATERPROOF RECEP.	⊕ ELEC. PANEL BOX
□ FLUOR. LIGHT FIXTURE	⊕ GROUND FAULT	• T.V. CABLE RECEP.
⊙ EXHAUST FAN	⊕ DISPOSAL UNIT	◁ TELEPHONE JACK
⊙ CL'G. FAN	⊕ 220 VOLT RECEPTACLE	⊙ COMPUTER JACK
◆ FLOOD LIGHT		

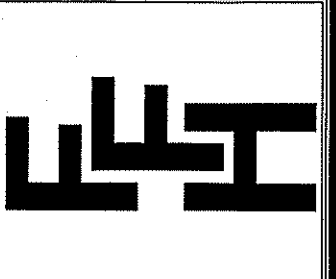
8' CLG. UNLESS OTHERWISE NOTE
ELECTRICAL FLOOR PLAN
SCALE: 1/4" = 1'-0"

FIRST FLOOR HEATED FRAME AREA = 1665 S.F.
PORCH AREA = 19 S.F.
DOUBLE GARAGE AREA = 441 S.F.

MAIN COMPUTER FILE: FFH - ROANOKE -SEPT.-2014

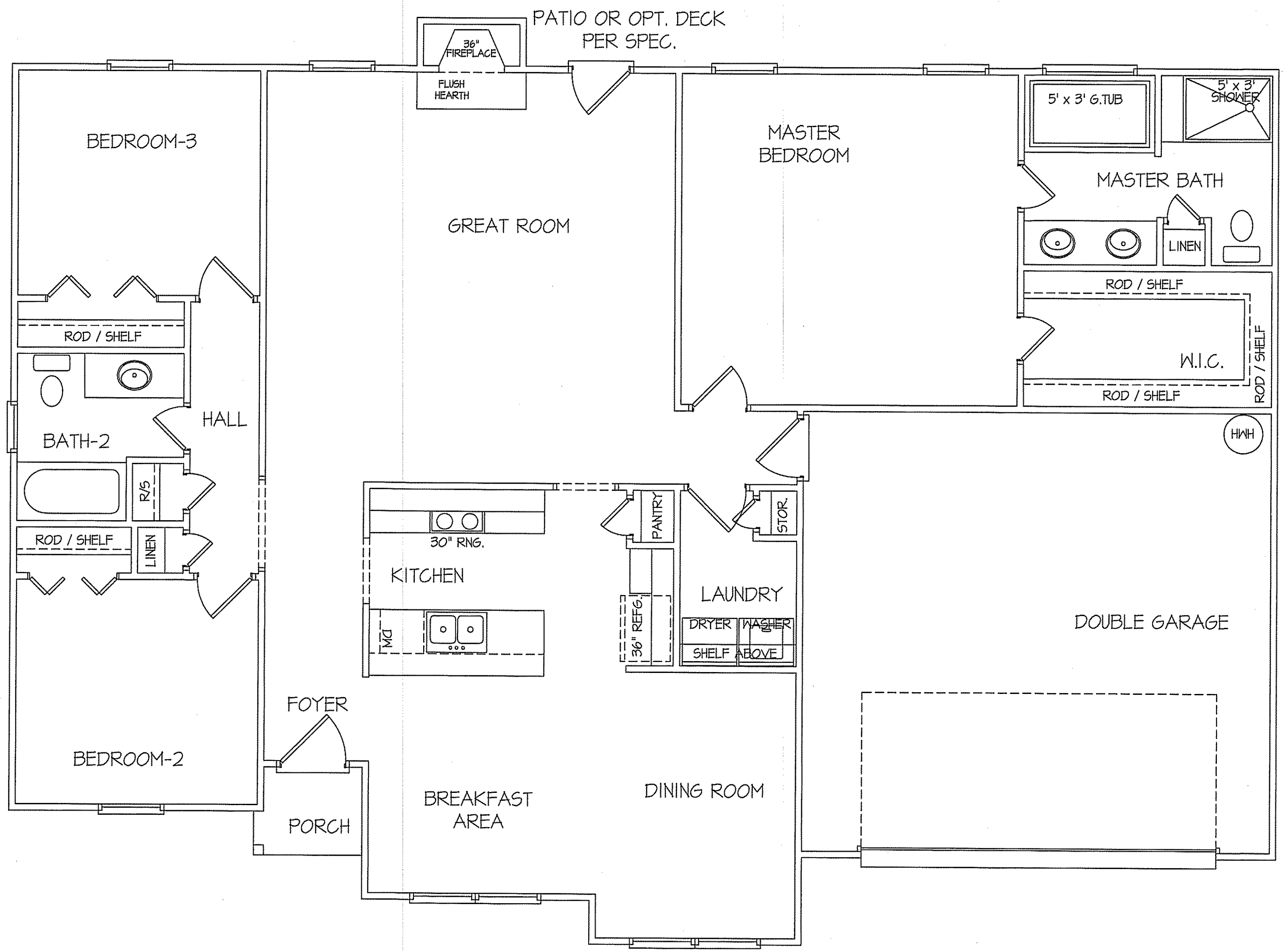
DATE:
JUNE 23, 2021

FREEDOM FAMILY HOMES
P.O. BOX 608
DUNN, N.C. - 28335
O: (910) 892-1231 FAX: (910) 892-5680
©2021, FREEDOM FAMILY HOMES



EXCLUSIVE PLAN FOR
FREEDOM FAMILY HOMES
ROANOKE II ~ RIGHT

SHEET NO.
5



NOTE:
HVAC CONTRACTOR TO VERIFY and PROVIDE OWNERS and
BUILDER UNIT INFORMATION, BTUH REQUIREMENTS, and
DUCT LAYOUTS BEFORE CONSTRUCTION BEGINS.

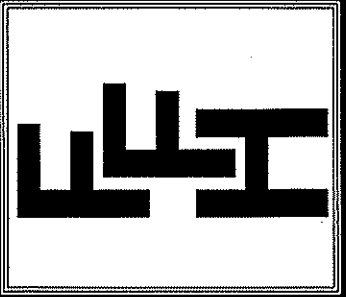
TOTAL HEAT GAIN = 26,807 B.T.U.H.
TOTAL HEAT LOSS = 42,314 B.T.U.H.

8' CLG. UNLESS OTHERWISE NOTE
HVAC
FLOOR PLAN
SCALE: 1/4" = 1'-0"

FIRST FLOOR HEATED FRAME AREA = 1665 S.F.
PORCH AREA = 19 S.F.
DOUBLE GARAGE AREA = 441 S.F.

DATE:
JUNE 23, 2021

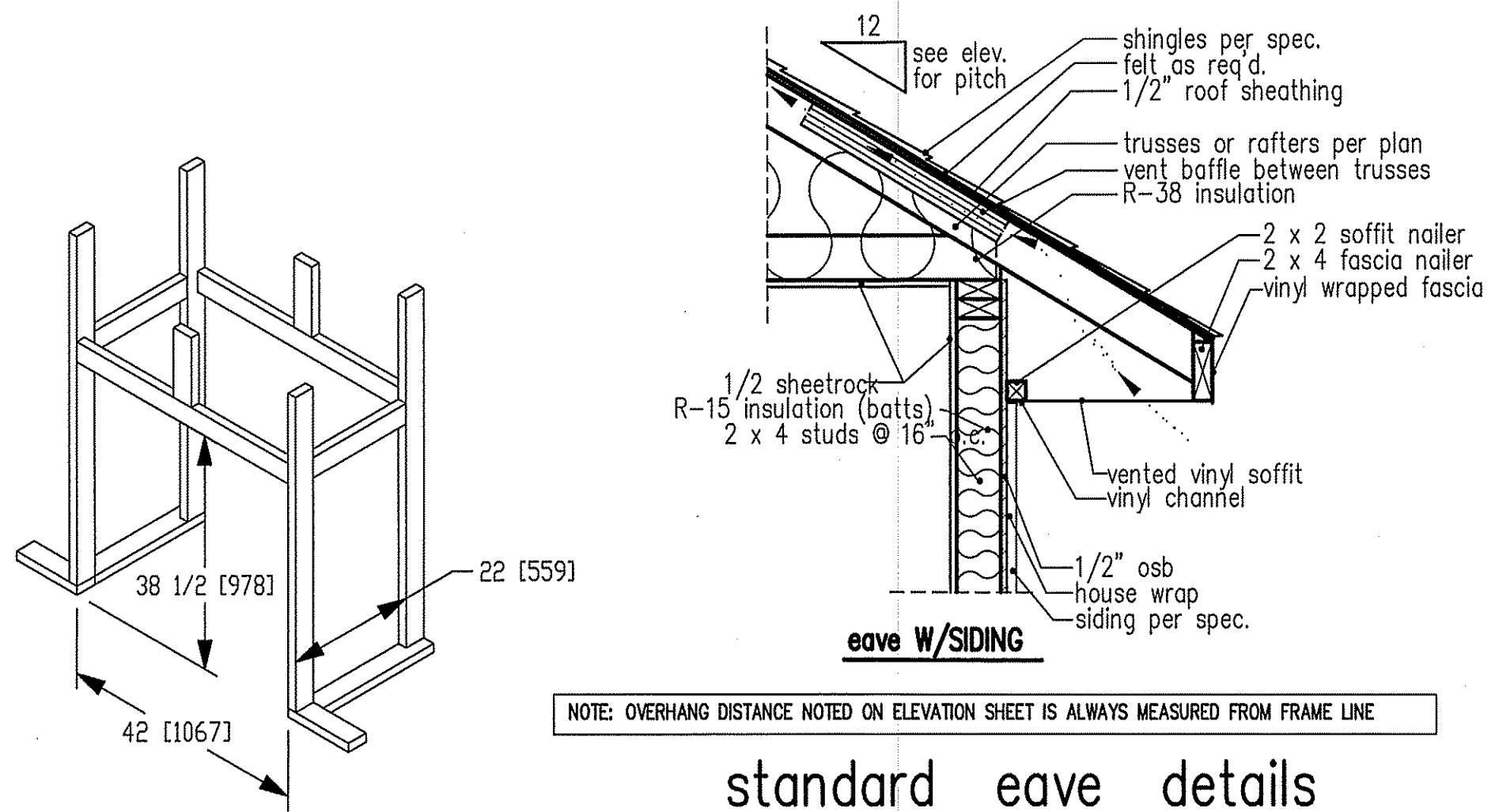
FREEDOM FAMILY HOMES
P.O. BOX 608
DUNN, N.C. - 28335
O: (910) 892-1231 FAX: (910) 892-5680
© 2021, FREEDOM FAMILY HOMES



**EXCLUSIVE PLAN FOR
FREEDOM FAMILY HOMES
ROANOKE**

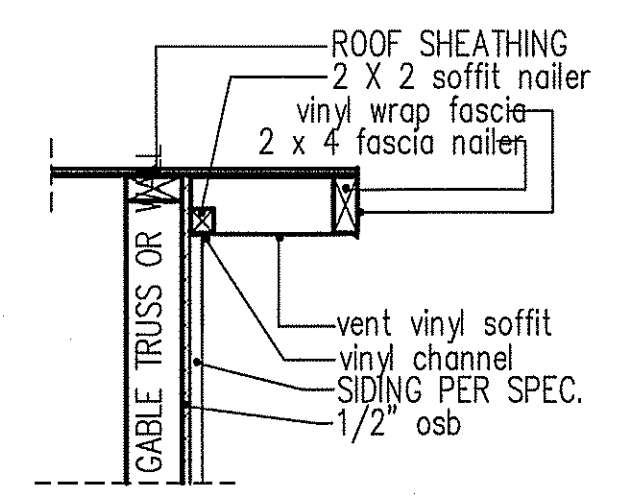
PLAN:

SHEET NO.
6



NOTE: OVERHANG DISTANCE NOTED ON ELEVATION SHEET IS ALWAYS MEASURED FROM FRAME LINE

standard eave details



RAKE w/SIDING

NOTE: OVERHANG DISTANCE NOTED ON ELEVATION SHEET IS ALWAYS MEASURED FROM FRAME LINE

TABLE R602.7.5
MINIMUM NUMBER OF FULL HEIGHT STUDS AT EACH END OF HEADERS IN EXTERIOR WALLS

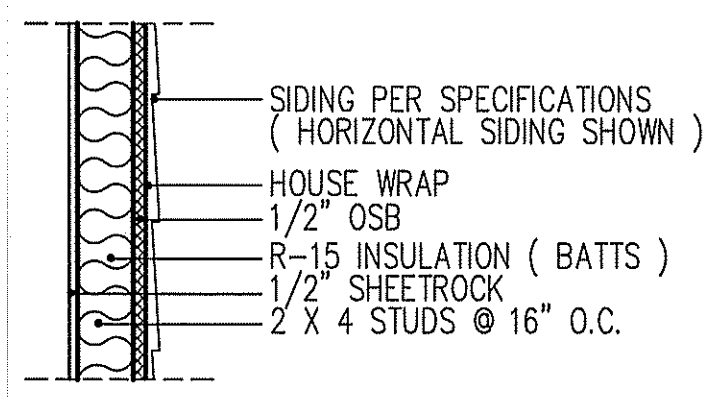
HEADER SPAN (feet)	MAX. STUD SPACING (Inches) [per Table R602.3(5)]	
	16	24
< 3'	1	1
4'	2	1
8'	3	2
12'	5	3
16'	6	4

GIRDER AND HEADER SIZES AND JACK STUD REQUIREMENTS ON EXTERIOR AND INTERIOR LOAD BEARING WALLS ARE TO COINCIDE WITH TABLE EXT.~R602.7 (1) AND INT.~R602.7 (2).

DIMENSIONS IN [] ARE MM

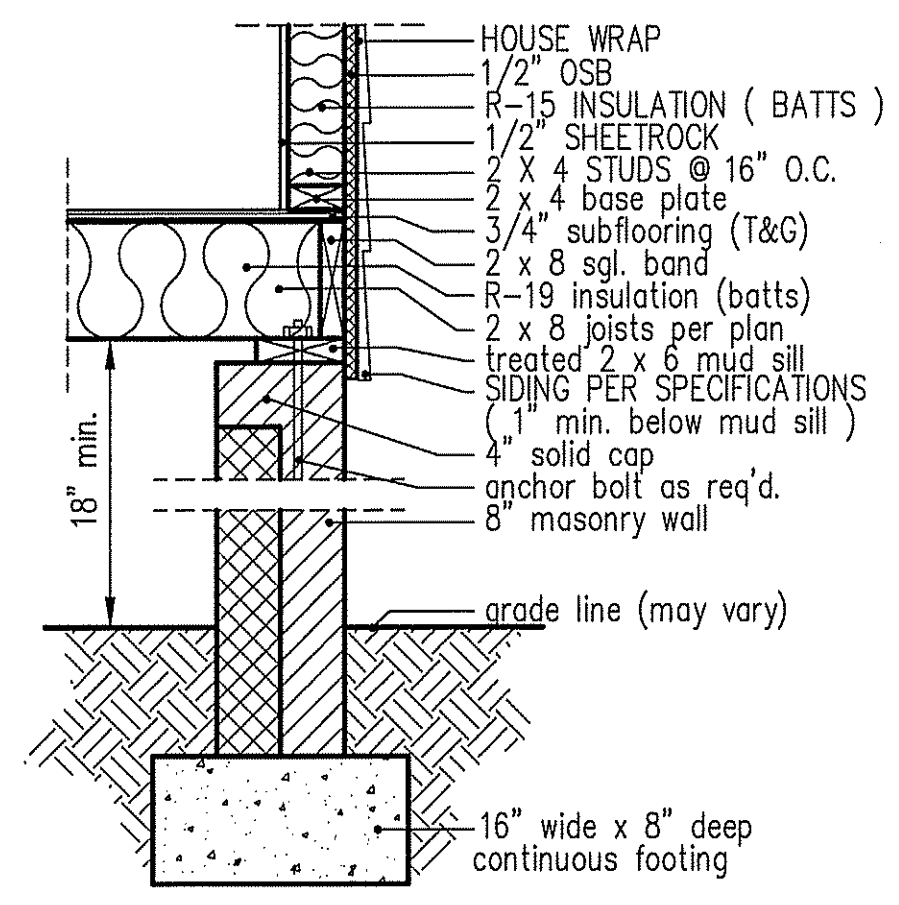
Model 6000-TR	Height		Front Width		Back Width		Depth		Glass Size	BTU Input
	Actual	Framing	Actual	Framing	Actual	Framing	Actual	Framing		
Inches	38	38-1/2	41	42	28-1/2	42	21-1/2	22		

Reference dimensions only. We recommend measuring individual units at installation.

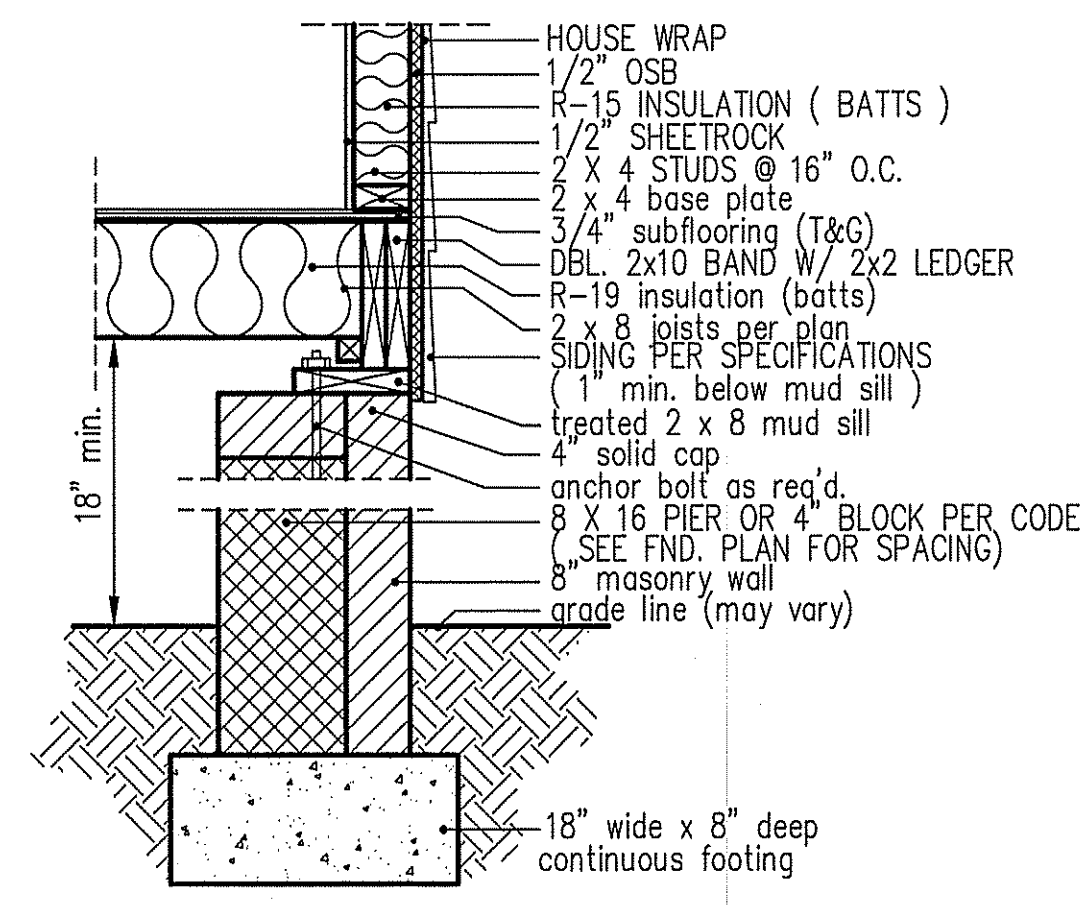


WALL W/siding

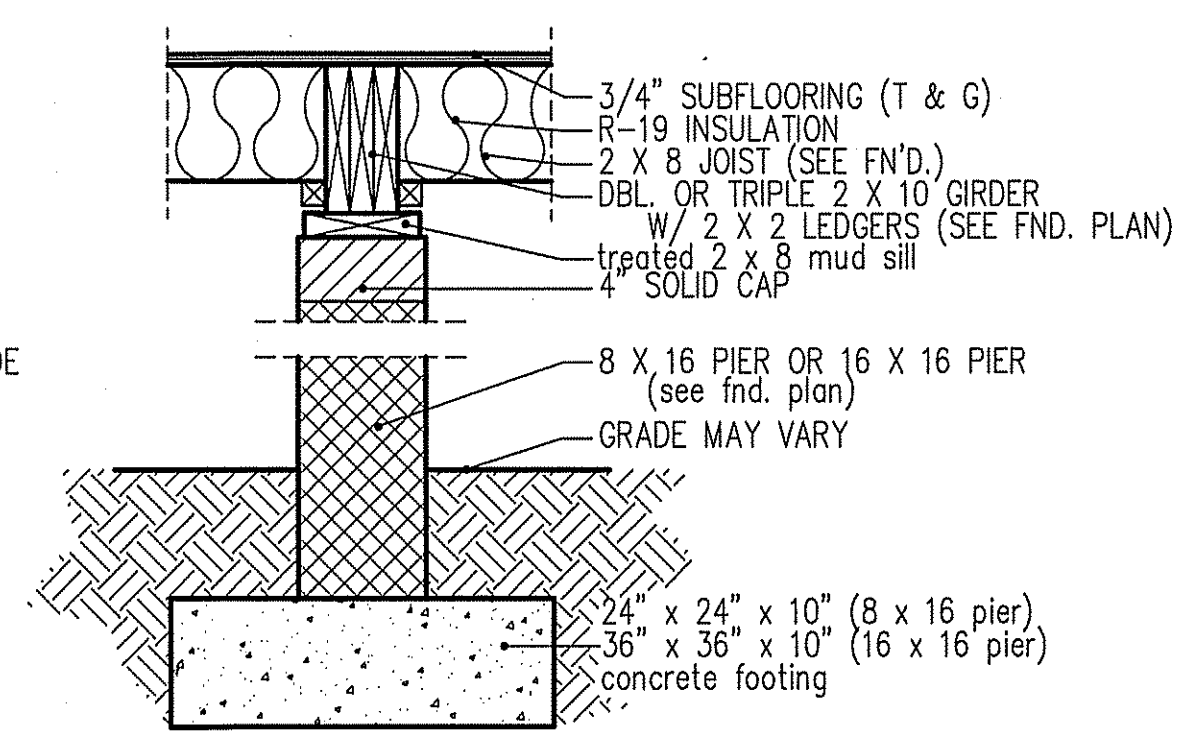
intermediate wall details



8" BOX SILL FOUNDATION WALL



PIER and CURTAIN FOUNDATION WALL



PIER and GIRDER DETAIL