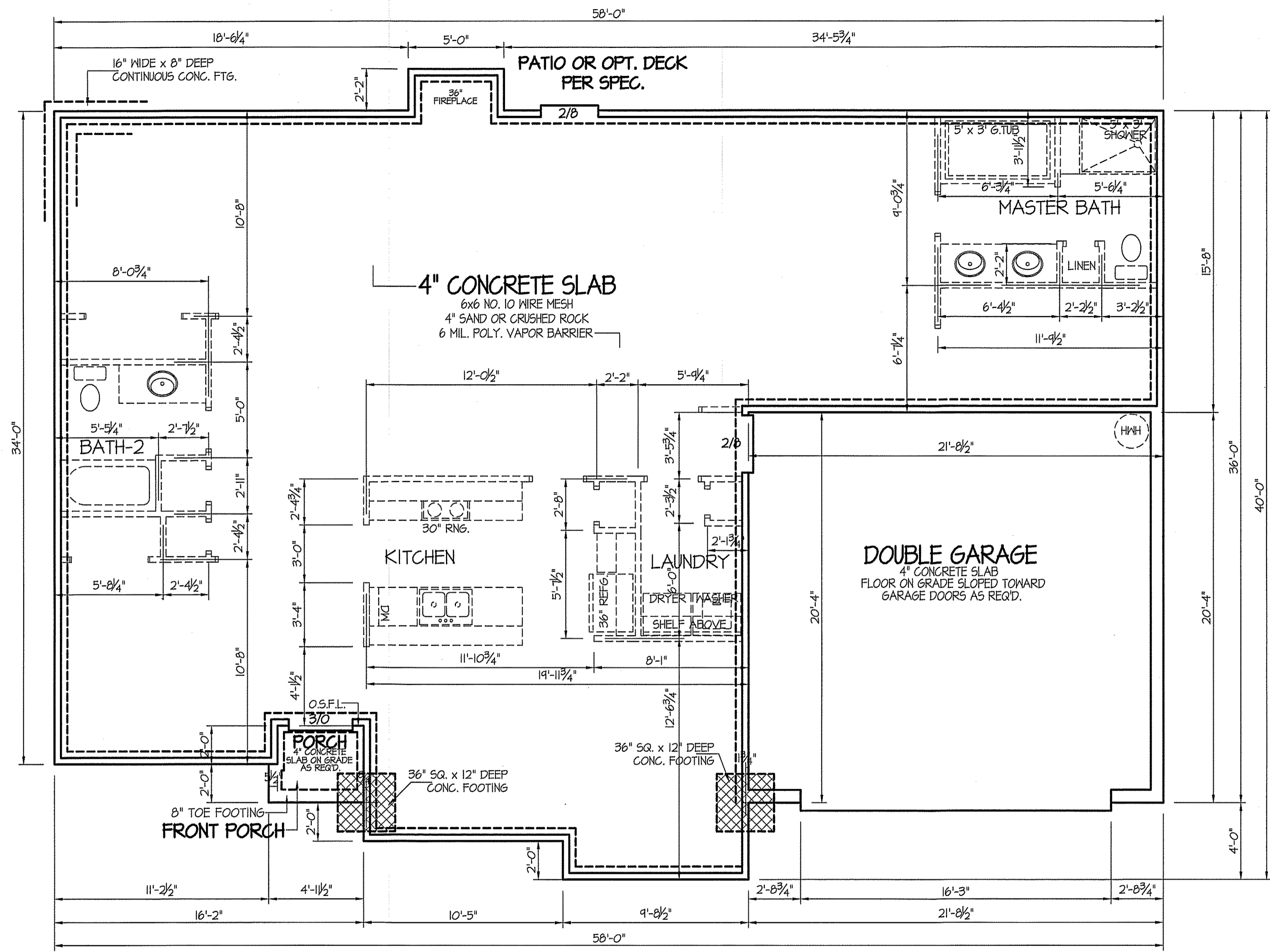
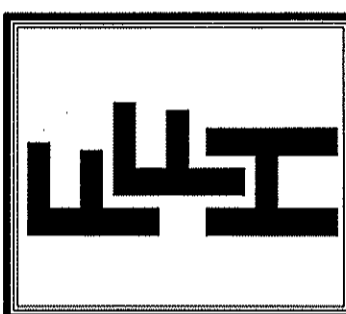


MAIN COMPUTER FILE: FFH - ROANOKE - SEPT.-2014



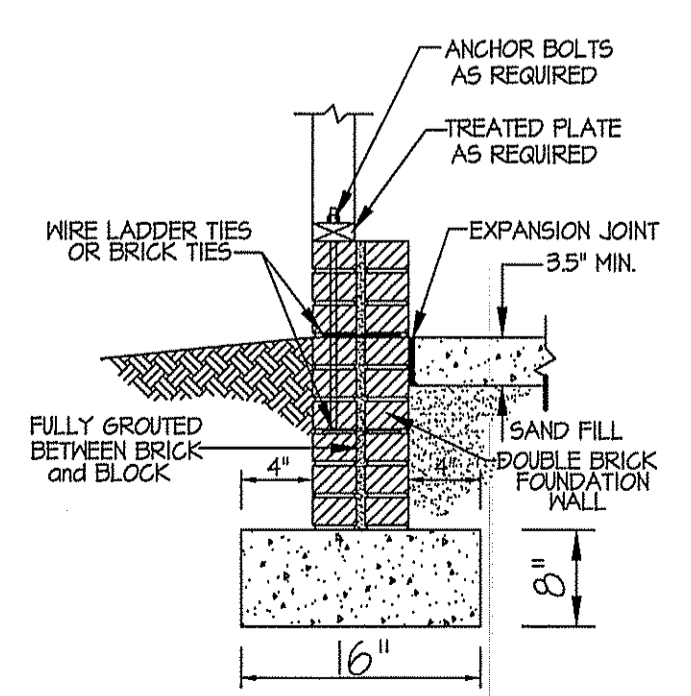
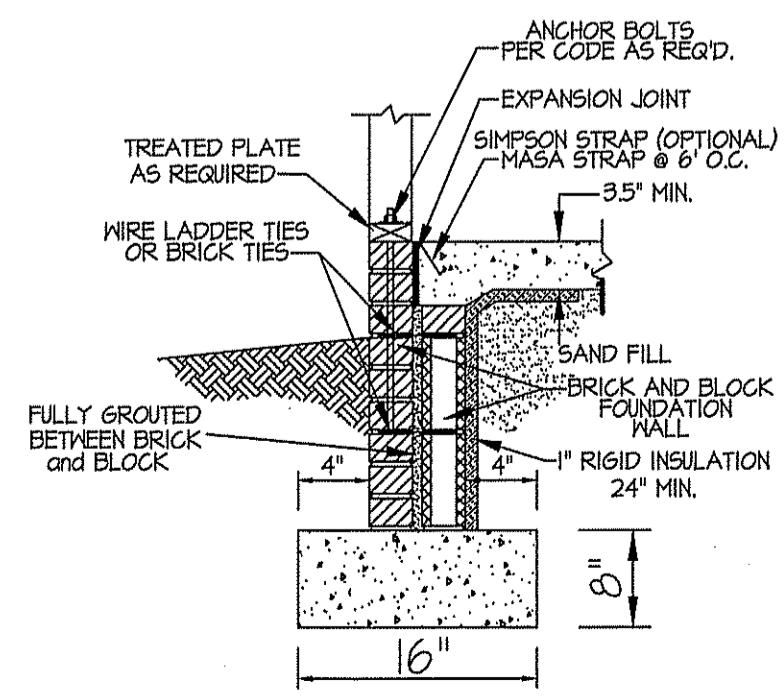
DATE:  
JULY 13, 2021

**FREEDOM FAMILY HOMES**  
P.O. BOX 608  
DUNN, N.C. - 28335  
O: (910) 892-1231 FAX: (910) 892-5680  
© 2021, FREEDOM FAMILY HOMES



EXCLUSIVE PLAN FOR  
FREEDOM FAMILY HOMES  
**ROANOKE II ~ RIGHT**

SHEET NO.  
**3S**



**FOUNDATION ANCHORAGE**  
THE WOOD SOLE PLATE AT EXTERIOR WALLS ON MONOLITHIC SLABS AND WOOD SILL PLATE SHALL BE ANCHORED TO THE FOUNDATION WITH ANCHOR BOLTS SPACED A MAXIMUM OF 4 FEET (1219.3 mm) ON CENTER AND NOT MORE THAN 12 INCHES (305 mm) FROM THE CORNER. BOLTS SHALL BE AT LEAST 1/2 INCH (12.7 mm) IN DIAMETER AND SHALL EXTEND A MINIMUM OF 15 INCHES (381 mm) INTO MASONRY OR CONCRETE.

**FOUNDATION DRAINAGE**  
A DRAINAGE SYSTEM IS NOT REQUIRED WHEN THE FOUNDATION IS INSTALLED ON WELL-DRAINED GROUND OR SAND-GRAVEL MIXTURE SOILS ACCORDING TO THE UNIFIED SOIL CLASSIFICATION SYSTEM, GROUP I SOILS, AS DETAILED IN TABLE R405.1

N.C. SPECIFIC  
COMcheck or ASHRAE 90.1  
2013 COMcheck SHALL BE PERMITTED  
TO DEMONSTRATE COMPLIANCE  
WITH THE N.C. 2018 ENERGY  
CONSERVATION CODES.  
(SECTION C401.2 (3))

SLAB  
**FOUNDATION PLAN**  
SCALE: 1/4" = 1'-0"