

Mark Morris, P.E.

#126, 1317-M, Summerville, SC 29483

843 209-5784, Fax (866)-213-4614

The truss drawing(s) listed below have been prepared by **Atlantic Building Components** under my direct supervision based on the parameters provided by the truss designers.

AST #: 28752

JOB: 21-5648-R01

JOB NAME: 49786-0198 WOODGROVE

Wind Code: 37

Wind Speed: Vult= 115mph

Exposure Category: B

Mean Roof Height (feet): 20

These truss designs comply with IRC 2015 as well as IRC 2018.

18 Truss Design(s)

Trusses:

M01, M02, M03, R01, R02, R02B, R03, R03B, R04, R05, R06, R07, VT01, VT02, VT03, VT04,



9/30/2021

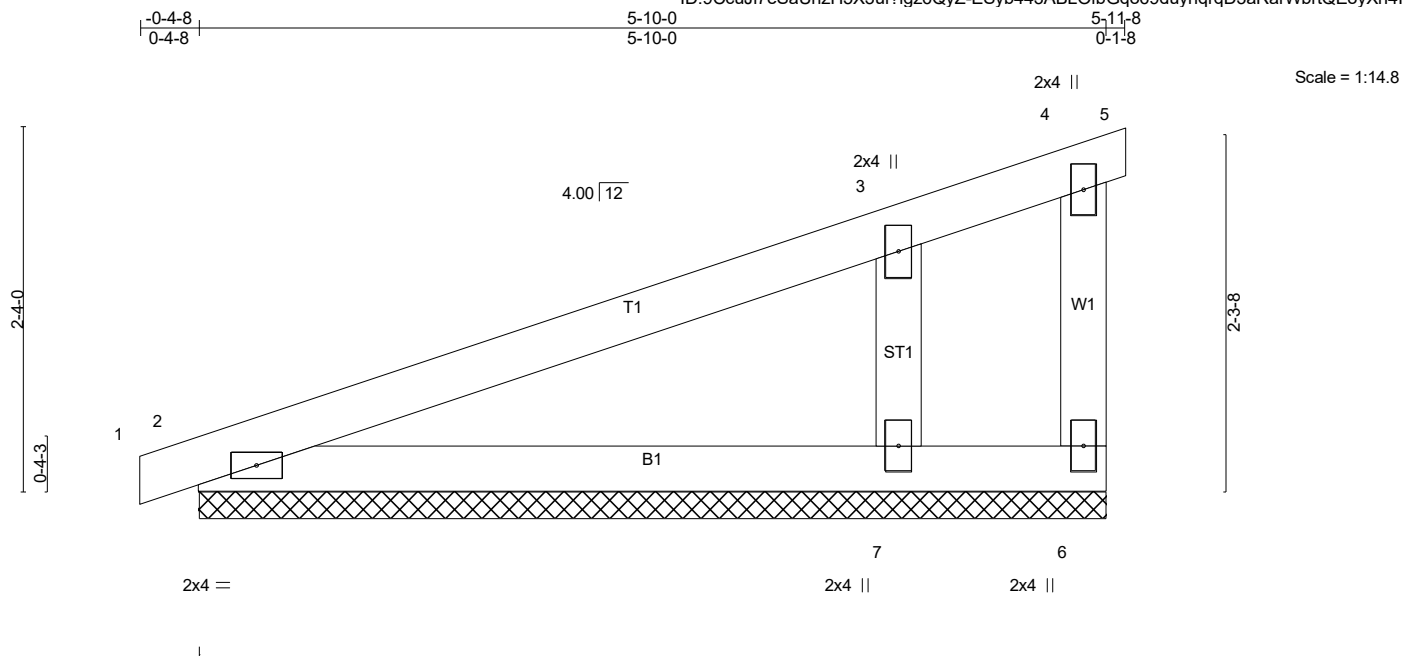
Mark Morris

Warning !—Verify design parameters and read notes before use.

This design is based only upon parameters shown, and is for an individual building component to be installed and loaded vertically. Applicability of design parameters and proper incorporation of component is responsibility of building designer – not truss designer or truss engineer. Bracing shown is for lateral support of individual web members only. Additional temporary bracing to ensure stability during construction is the responsibility of the erector. Additional permanent bracing of the overall structure is the responsibility of the building designer. For general guidance regarding fabrication, quality control, storage, delivery, erection and bracing, consult ANSI/TPI 1 *National Design Standard for Metal Plate Connected Wood Truss Construction* and BCSI 1-03 Guide to *Good Practice for Handling, Installing & Bracing of Metal Plate Connected Wood Trusses* from Truss Plate Institute, 583 D'Onofrio Drive, Madison, WI

Job 21-5648-R01	Truss M01	Truss Type GABLE	Qty 1	Ply 1	49786-0198 WOODGROVE FUQUAY VARINA, NC	# 28752
--------------------	--------------	---------------------	----------	----------	--	---------

8.430 s Feb 12 2021 MiTek Industries, Inc. Fri Oct 1 13:54:51 2021 Page 1
 ID:9CcuJ7eSaUnzH5X3uf?lgz6QyZ-E5yb443ABL0fbGqo69duyhqrqD3aRarWbrtQEoyXn41



LOADING (psf)	SPACING-	CSI.	DEFL.	PLATES	GRIP
TCLL (roof) 20.0	2-0-0	TC 0.39	in (loc) l/defl L/d	MT20	244/190
Snow (Pf) 20.0	Plate Grip DOL 1.15	BC 0.28	Vert(LL) 0.00 4 n/r 180		
TCDL 10.0	Lumber DOL 1.15	WB 0.09	Vert(CT) -0.00 4 n/r 80		
BCLL 0.0 *	Rep Stress Incr YES	Matrix-P	Horz(CT) 0.00 n/a n/a		
BCDL 10.0	Code IRC2018/TPI2014			Weight: 23 lb	FT = 20%

LUMBER-	BRACING-
TOP CHORD 2x4 SP No.2	TOP CHORD Structural wood sheathing directly applied or 5-10-0 oc purlins, except end verticals.
BOT CHORD 2x4 SP No.3	BOT CHORD Rigid ceiling directly applied or 10-0-0 oc bracing.
WEBS 2x4 SP No.3	MiTek recommends that Stabilizers and required cross bracing be installed during truss erection, in accordance with Stabilizer Installation guide.
OTHERS 2x4 SP No.3	

REACTIONS. (lb/size) 6=68/5-10-0 (min. 0-1-8), 2=168/5-10-0 (min. 0-1-8), 7=394/5-10-0 (min. 0-1-8)
 Max Horz 2=53(LC 10)
 Max Uplift 6=89(LC 21), 2=6(LC 10), 7=37(LC 14)
 Max Grav 6=4(LC 14), 2=228(LC 21), 7=528(LC 21)

FORCES. (lb) - Max. Comp./Max. Ten. - All forces 250 (lb) or less except when shown.
 WEBS 3-7=427/288

- NOTES-** (12-15)
- 1) Wind: ASCE 7-16; Vult=115mph (3-second gust) Vasd=91mph; TCDL=5.0psf; BCDL=5.0psf; h=10ft; Cat. II; Exp B; Enclosed; MWFRS (envelope) gable end zone and C-C Corner(3E) zone; C-C for members and forces & MWFRS for reactions shown; Lumber DOL=1.60 plate grip DOL=1.60
 - 2) Truss designed for wind loads in the plane of the truss only. For studs exposed to wind (normal to the face), see Standard Industry Gable End Details as applicable, or consult qualified building designer as per ANSI/TPI 1.
 - 3) TCLL: ASCE 7-16; Pr=20.0 psf (roof LL: Lum DOL=1.15 Plate DOL=1.15); Pf=20.0 psf (Lum DOL=1.15 Plate DOL=1.15); Is=1.0; Rough Cat B; Partially Exp.; Ce=1.0; Cs=1.00; Ct=1.10
 - 4) Unbalanced snow loads have been considered for this design.
 - 5) This truss has been designed for greater of min roof live load of 12.0 psf or 2.00 times flat roof load of 20.0 psf on overhangs non-concurrent with other live loads.
 - 6) Gable requires continuous bottom chord bearing.
 - 7) Gable studs spaced at 1-4-0 oc.
 - 8) This truss has been designed for a 10.0 psf bottom chord live load nonconcurrent with any other live loads.
 - 9) * This truss has been designed for a live load of 30.0psf on the bottom chord in all areas where a rectangle 3-6-0 tall by 1-0-0 wide will fit between the bottom chord and any other members.
 - 10) Provide mechanical connection (by others) of truss to bearing plate capable of withstanding 89 lb uplift at joint 6, 6 lb uplift at joint 2 and 37 lb uplift at joint 7.
 - 11) This truss is designed in accordance with the 2018 International Residential Code sections R502.11.1 and R802.10.2 and referenced standard ANSI/TPI 1.



9/30/2021

Warning!—Verify design parameters and read notes before use. This design is based only upon parameters shown, and is for an individual building component to be installed and loaded vertically. Applicability of design parameters and proper incorporation of component is responsibility of building designer – not truss designer or truss engineer. Bracing shown is for lateral support of individual web members only. Additional temporary bracing to ensure stability during construction is the responsibility of the erector. Additional permanent bracing of the overall structure is the responsibility of the building designer. For general guidance regarding fabrication, quality control, storage, delivery, erection and bracing, consult ANSI/TPI 1 *National Design Standard for Metal Plate Connected Wood Truss Construction* and BCSI 1-03 Guide to *Good Practice for Handling, Installing & Bracing of Metal Plate Connected Wood Trusses* from Truss Plate Institute, 583 D'Onofrio Drive, Madison, WI 53719.

Job	Truss	Truss Type	Qty	Ply	49786-0198 WOODGROVE FUQUAY VARINA, NC
21-5648-R01	M01	GABLE	1	1	Job Reference (optional) # 28752

8.430 s Feb 12 2021 MiTek Industries, Inc. Fri Oct 1 13:54:52 2021 Page 2
 ID:9CcuJl7eSaUnzH5X3uf?lgz6QyZ-jfWzIQ4oyfWWCQO_gs87VvN0ZdPpA15gpVc_mEyXn4H

- 12) Graphical bracing representation does not depict the size, type or the orientation of the brace on the member. Symbol only indicates that the member must be braced.
- 13) Bearing symbols are only graphical representations of a possible bearing condition. Bearing symbols are not considered in the structural design of the truss to support the loads indicated.
- 14) Web bracing shown is for lateral support of individual web members only. Refer to BCSI - Guide to Good Practice for Handling, Installing, Restraining & Bracing of Metal Plate Connected Wood Trusses for additional bracing guidelines, including diagonal bracing.
- 15) SEE BCSI-B3 SUMMARY SHEET- PERMANENT RESTRAING/BRACING OF CHORDS & WEB MEMBERS FOR RECOMMENDED MINIMUM BRACING REQUIREMENTS OF TOP CHORD, BOTTOM CHORD, AND WEB PLANES. IN ADDITION TO THESE MINIMUM GUIDELINES, ALWAYS CONSULT THE PROJECT ARCHITECT OR ENGINEER FOR ADDITIONAL BRACING CONSIDERATIONS.

LOAD CASE(S) Standard

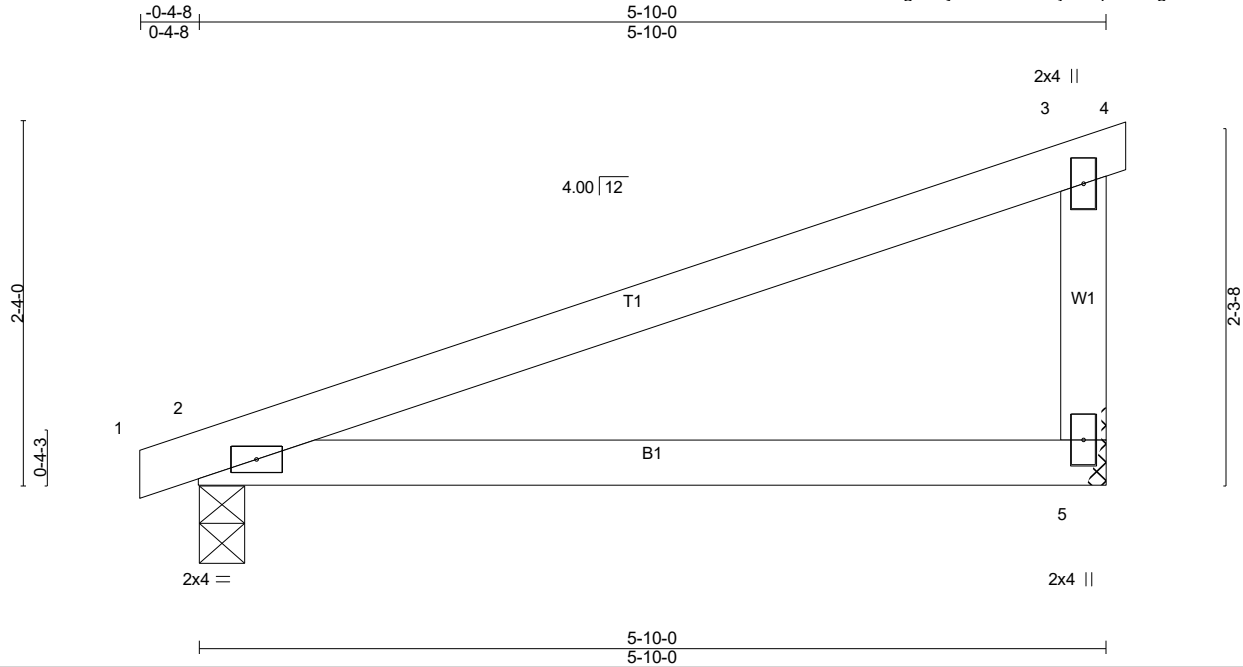


9/30/2021

Warning !—Verify design parameters and read notes before use. This design is based only upon parameters shown, and is for an individual building component to be installed and loaded vertically. Applicability of design parameters and proper incorporation of component is responsibility of building designer – not truss designer or truss engineer. Bracing shown is for lateral support of individual web members only. Additional temporary bracing to ensure stability during construction is the responsibility of the erector. Additional permanent bracing of the overall structure is the responsibility of the building designer. For general guidance regarding fabrication, quality control, storage, delivery, erection and bracing, consult ANSI/TPI 1 *National Design Standard for Metal Plate Connected Wood Truss Construction* and BCSI 1-03 *Guide to Good Practice for Handling, Installing & Bracing of Metal Plate Connected Wood Trusses* from Truss Plate Institute, 583 D'Onofrio Drive, Madison, WI 53719.

Job	Truss	Truss Type	Qty	Ply	49786-0198 WOODGROVE FUQUAY VARINA, NC
21-5648-R01	M02	Monopitch	9	1	
					# 28752

8.430 s Feb 12 2021 MiTek Industries, Inc. Fri Oct 1 13:54:53 2021 Page 1
 ID:9CcuJl7eSaUnzH5X3uf?lgz6QyZ-Br3LVm5QjzeNqazAEagM16v411lVvhp29MXlhyXn4G



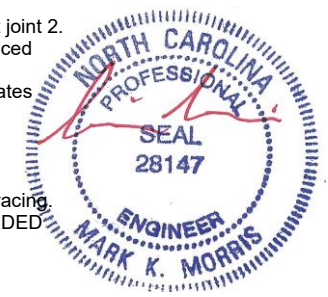
LOADING (psf)	SPACING-	CSI.	DEFL.	PLATES	GRIP
TCLL (roof) 20.0	2-0-0	TC 0.87	in (loc) l/defl L/d	MT20	244/190
Snow (Pf) 20.0	Plate Grip DOL 1.15	BC 0.39	Vert(LL) -0.06 2-5 >999 240		
TCDL 10.0	Lumber DOL 1.15	WB 0.00	Vert(CT) -0.11 2-5 >588 180		
BCLL 0.0 *	Rep Stress Incr YES	Matrix-P	Horz(CT) 0.00 n/a n/a		
BCDL 10.0	Code IRC2018/TPI2014			Weight: 21 lb	FT = 20%

LUMBER-	BRACING-
TOP CHORD 2x4 SP No.2	TOP CHORD Structural wood sheathing directly applied or 2-2-0 oc purlins, except end verticals.
BOT CHORD 2x4 SP No.2	BOT CHORD Rigid ceiling directly applied or 10-0-0 oc bracing.
WEBS 2x4 SP No.3	MiTek recommends that Stabilizers and required cross bracing be installed during truss erection, in accordance with Stabilizer Installation guide.

REACTIONS. (lb/size) 5=237/Mechanical, 2=254/0-3-8 (min. 0-1-8)
 Max Horz 2=53(LC 10)
 Max Uplift 5=-25(LC 14), 2=-17(LC 10)
 Max Grav 5=319(LC 21), 2=344(LC 21)

FORCES. (lb) - Max. Comp./Max. Ten. - All forces 250 (lb) or less except when shown.
 TOP CHORD 3-5=-264/103

- NOTES-** (10-13)
- 1) Wind: ASCE 7-16; Vult=115mph (3-second gust) Vasd=91mph; TC DL=5.0psf; BCDL=5.0psf; h=10ft; Cat. II; Exp B; Enclosed; MWFRS (envelope) gable end zone and C-C Exterior(2E) zone; C-C for members and forces & MWFRS for reactions shown; Lumber DOL=1.60 plate grip DOL=1.60
 - 2) TCLL: ASCE 7-16; Pr=20.0 psf (roof LL: Lum DOL=1.15 Plate DOL=1.15); Pf=20.0 psf (Lum DOL=1.15 Plate DOL=1.15); Is=1.0; Rough Cat B; Partially Exp.; Ce=1.0; Cs=1.00; Ct=1.10
 - 3) Unbalanced snow loads have been considered for this design.
 - 4) This truss has been designed for greater of min roof live load of 12.0 psf or 2.00 times flat roof load of 20.0 psf on overhangs non-concurrent with other live loads.
 - 5) This truss has been designed for a 10.0 psf bottom chord live load nonconcurrent with any other live loads.
 - 6) * This truss has been designed for a live load of 30.0psf on the bottom chord in all areas where a rectangle 3-6-0 tall by 1-0-0 wide will fit between the bottom chord and any other members.
 - 7) Refer to girder(s) for truss to truss connections.
 - 8) Provide mechanical connection (by others) of truss to bearing plate capable of withstanding 25 lb uplift at joint 5 and 17 lb uplift at joint 2.
 - 9) This truss is designed in accordance with the 2018 International Residential Code sections R502.11.1 and R802.10.2 and referenced standard ANSI/TPI 1.
 - 10) Graphical bracing representation does not depict the size, type or the orientation of the brace on the member. Symbol only indicates that the member must be braced.
 - 11) Bearing symbols are only graphical representations of a possible bearing condition. Bearing symbols are not considered in the structural design of the truss to support the loads indicated.
 - 12) Web bracing shown is for lateral support of individual web members only. Refer to BCSI - Guide to Good Practice for Handling, Installing, Restraining & Bracing of Metal Plate Connected Wood Trusses for additional bracing guidelines, including diagonal bracing.
 - 13) SEE BCSI-B3 SUMMARY SHEET- PERMANENT RESTRAINING/BRACING OF CHORDS & WEB MEMBERS FOR RECOMMENDED MINIMUM BRACING REQUIREMENTS OF TOP CHORD, BOTTOM CHORD, AND WEB PLANES. IN ADDITION TO THESE MINIMUM GUIDELINES, ALWAYS CONSULT THE PROJECT ARCHITECT OR ENGINEER FOR ADDITIONAL BRACING CONSIDERATIONS.

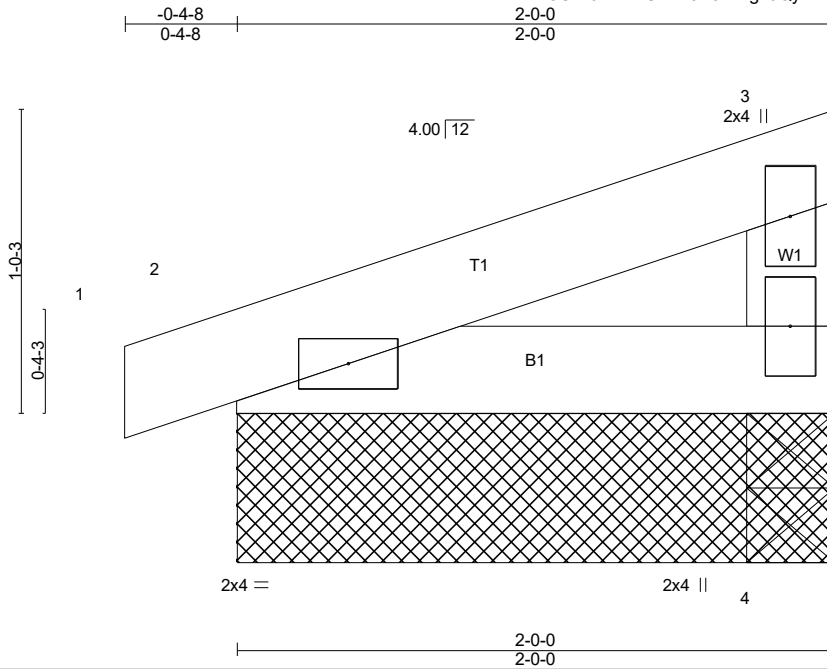


9/30/2021

LOAD CASE(S) Standard
Warning!—Verify design parameters and read notes before use. This design is based only upon parameters shown, and is for an individual building component to be installed and loaded vertically. Applicability of design parameters and proper incorporation of component is responsibility of building designer – not truss designer or truss engineer. Bracing shown is for lateral support of individual web members only. Additional temporary bracing to ensure stability during construction is the responsibility of the erector. Additional permanent bracing of the overall structure is the responsibility of the building designer. For general guidance regarding fabrication, quality control, storage, delivery, erection and bracing, consult ANSI/TPI 1 *National Design Standard for Metal Plate Connected Wood Truss Construction* and BCSI 1-03 *Guide to Good Practice for Handling, Installing & Bracing of Metal Plate Connected Wood Trusses* from Truss Plate Institute, 583 D'Onofrio Drive, Madison, WI 53719.

Job 21-5648-R01	Truss M03	Truss Type Monopitch Structural Gable	Qty 1	Ply 1	49786-0198 WOODGROVE FUQUAY VARINA, NC
					Job Reference (optional) # 28752

ID:9CcuJl7eSaUnzH5X3uf?lgz6QyZ-f1djj662TGmESkYNoHBbaKSR2R8ieyXzHp54r7yXn4F
8.430 s Feb 12 2021 MiTek Industries, Inc. Fri Oct 1 13:54:54 2021 Page 1



Scale = 1:7.7

LOADING (psf)	SPACING-	CSI.	DEFL.	PLATES	GRIP
TCLL (roof) 20.0	2-0-0	TC 0.07	in (loc) l/defl L/d	MT20	244/190
Snow (Pf) 20.0	Plate Grip DOL 1.15	BC 0.06	Vert(LL) -0.00 2 >999 240		
TCDL 10.0	Lumber DOL 1.15	WB 0.00	Vert(CT) -0.00 2-4 >999 180		
BCLL 0.0 *	Rep Stress Incr YES	Matrix-P	Horz(CT) 0.00 n/a n/a		
BCDL 10.0	Code IRC2018/TPI2014			Weight: 7 lb	FT = 20%

LUMBER-
TOP CHORD 2x4 SP No.2
BOT CHORD 2x4 SP No.3
WEBS 2x4 SP No.3

BRACING-
TOP CHORD Structural wood sheathing directly applied or 2-0-0 oc purlins, except end verticals.
BOT CHORD Rigid ceiling directly applied or 10-0-0 oc bracing.

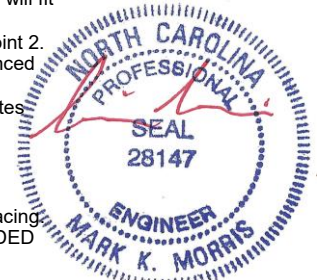
MiTek recommends that Stabilizers and required cross bracing be installed during truss erection, in accordance with Stabilizer Installation guide.

REACTIONS. (lb/size) 4=72/2-0-0 (min. 0-1-8), 4=72/2-0-0 (min. 0-1-8), 2=99/2-0-0 (min. 0-1-8)
Max Horz 2=19(LC 10)
Max Uplift 4=-7(LC 14), 2=-11(LC 10)
Max Grav 4=88(LC 21), 4=72(LC 1), 2=123(LC 21)

FORCES. (lb) - Max. Comp./Max. Ten. - All forces 250 (lb) or less except when shown.

NOTES- (11-14)

- 1) Wind: ASCE 7-16; Vult=115mph (3-second gust) Vasd=91mph; TCDL=5.0psf; BCDL=5.0psf; h=10ft; Cat. II; Exp B; Enclosed; MWFRS (envelope) gable end zone and C-C Corner(3E) zone; C-C for members and forces & MWFRS for reactions shown; Lumber DOL=1.60 plate grip DOL=1.60
- 2) Truss designed for wind loads in the plane of the truss only. For studs exposed to wind (normal to the face), see Standard Industry Gable End Details as applicable, or consult qualified building designer as per ANSI/TPI 1.
- 3) TCLL: ASCE 7-16; Pr=20.0 psf (roof LL: Lum DOL=1.15 Plate DOL=1.15); Pf=20.0 psf (Lum DOL=1.15 Plate DOL=1.15); Is=1.0; Rough Cat B; Partially Exp.; Ce=1.0; Cs=1.00; Ct=1.10
- 4) Unbalanced snow loads have been considered for this design.
- 5) This truss has been designed for greater of min roof live load of 12.0 psf or 2.00 times flat roof load of 20.0 psf on overhangs non-concurrent with other live loads.
- 6) Gable studs spaced at 2-0-0 oc.
- 7) This truss has been designed for a 10.0 psf bottom chord live load nonconcurrent with any other live loads.
- 8) * This truss has been designed for a live load of 30.0psf on the bottom chord in all areas where a rectangle 3-6-0 tall by 1-0-0 wide will fit between the bottom chord and any other members.
- 9) Provide mechanical connection (by others) of truss to bearing plate capable of withstanding 7 lb uplift at joint 4 and 11 lb uplift at joint 2.
- 10) This truss is designed in accordance with the 2018 International Residential Code sections R502.11.1 and R802.10.2 and referenced standard ANSI/TPI 1.
- 11) Graphical bracing representation does not depict the size, type or the orientation of the brace on the member. Symbol only indicates that the member must be braced.
- 12) Bearing symbols are only graphical representations of a possible bearing condition. Bearing symbols are not considered in the structural design of the truss to support the loads indicated.
- 13) Web bracing shown is for lateral support of individual web members only. Refer to BCSI - Guide to Good Practice for Handling, Installing, Restraining & Bracing of Metal Plate Connected Wood Trusses for additional bracing guidelines, including diagonal bracing.
- 14) SEE BCSI-B3 SUMMARY SHEET- PERMANENT RESTRAINING/BRACING OF CHORDS & WEB MEMBERS FOR RECOMMENDED MINIMUM BRACING REQUIREMENTS OF TOP CHORD, BOTTOM CHORD, AND WEB PLANES. IN ADDITION TO THESE MINIMUM GUIDELINES, ALWAYS CONSULT THE PROJECT ARCHITECT OR ENGINEER FOR ADDITIONAL BRACING CONSIDERATIONS.



9/30/2021

LOAD CASE(S) Standard parameters and read notes before use. This design is based only upon parameters shown, and is for an individual building component to be installed and loaded vertically. Applicability of design parameters and proper incorporation of component is responsibility of building designer – not truss designer or truss engineer. Bracing shown is for lateral support of individual web members only. Additional temporary bracing to ensure stability during construction is the responsibility of the erector. Additional permanent bracing of the overall structure is the responsibility of the building designer. For general guidance regarding fabrication, quality control, storage, delivery, erection and bracing, consult ANSI/TPI 1 *National Design Standard for Metal Plate Connected Wood Truss Construction* and BCSI 1-03 *Guide to Good Practice for Handling, Installing & Bracing of Metal Plate Connected Wood Trusses* from Truss Plate Institute, 583 D'Onofrio Drive, Madison, WI 53719.

Job 21-5648-R01	Truss R01	Truss Type GABLE	Qty 1	Ply 1	49786-0198 WOODGROVE FUQUAY VARINA, NC
					Job Reference (optional) # 28752

8.430 s Feb 12 2021 MiTek Industries, Inc. Fri Oct 1 13:54:57 2021 Page 1
ID:9CcuJI7eSaUnzH5X3uf?lgz6QyZ-3cJsL88xmB8oJCHyTPkICy4xne9yrHXPznKIRSyXn4C



Scale = 1:62.1

Plate Offsets (X,Y)-- [7:0-3-0,0-3-0], [23:0-3-0,0-3-0], [39:0-3-8,0-0-4]

LOADING (psf)	SPACING-	CSI.	DEFL.	PLATES	GRIP
TCLL (roof) 20.0	2-0-0	TC 0.10	in (loc) l/defl L/d	MT20	244/190
Snow (Pf) 20.0	Plate Grip DOL 1.15	BC 0.09	Vert(LL) 0.00 1 n/r 180		
TCDL 10.0	Lumber DOL 1.15	WB 0.14	Vert(CT) 0.00 1 n/r 80		
BCLL 0.0 *	Rep Stress Incr YES	Matrix-SH	Horz(CT) 0.01 29 n/a n/a		
BCDL 10.0	Code IRC2018/TPI2014			Weight: 307 lb	FT = 20%

LUMBER-
TOP CHORD 2x4 SP No.2
BOT CHORD 2x4 SP No.3
WEBS 2x4 SP No.3
OTHERS 2x4 SP No.3

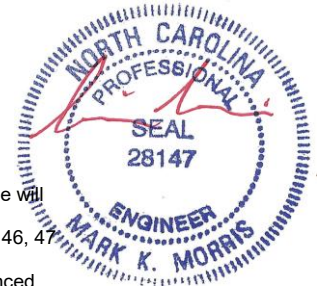
BRACING-
TOP CHORD Structural wood sheathing directly applied or 6-0-0 oc purlins, except end verticals.
BOT CHORD Rigid ceiling directly applied or 10-0-0 oc bracing.
WEBS 1 Row at midpt 15-43, 14-44, 13-45, 16-42, 17-41

MiTek recommends that Stabilizers and required cross bracing be installed during truss erection, in accordance with Stabilizer Installation guide.

REACTIONS. All bearings 35-8-8.
(lb) - Max Horz 57=118(LC 14)
Max Uplift All uplift 100 lb or less at joint(s) 57, 29, 44, 45, 46, 47, 49, 50, 51, 52, 53, 54, 55, 56, 42, 41, 40, 39, 37, 36, 35, 34, 33, 32, 31, 30
Max Grav All reactions 250 lb or less at joint(s) 57, 29, 43, 44, 45, 46, 47, 49, 50, 51, 52, 53, 54, 55, 56, 42, 41, 40, 39, 37, 36, 35, 34, 33, 32, 31, 30

FORCES. (lb) - Max. Comp./Max. Ten. - All forces 250 (lb) or less except when shown.

- NOTES-** (15-18)
- Unbalanced roof live loads have been considered for this design.
 - Wind: ASCE 7-16; Vult=115mph (3-second gust) Vasd=91mph; TCCL=5.0psf; BCDL=5.0psf; h=24ft; Cat. II; Exp B; Enclosed; MWFRS (envelope) gable end zone and C-C Corner(3E) -0-4-8 to 3-4-0, Exterior(2N) 3-4-0 to 14-0-0, Corner(3R) 14-0-0 to 22-0-0, Exterior(2N) 22-0-0 to 31-4-0, Corner(3E) 31-4-0 to 35-6-12 zone; C-C for members and forces & MWFRS for reactions shown; Lumber DOL=1.60 plate grip DOL=1.60
 - Truss designed for wind loads in the plane of the truss only. For studs exposed to wind (normal to the face), see Standard Industry Gable End Details as applicable, or consult qualified building designer as per ANSI/TPI 1.
 - TCLL: ASCE 7-16; Pr=20.0 psf (roof LL: Lum DOL=1.15 Plate DOL=1.15); Pf=20.0 psf (Lum DOL=1.15 Plate DOL=1.15); Is=1.0; Rough Cat B; Partially Exp.; Ce=1.0; Cs=1.00; Ct=1.10
 - Unbalanced snow loads have been considered for this design.
 - This truss has been designed for greater of min roof live load of 12.0 psf or 2.00 times flat roof load of 20.0 psf on overhangs non-concurrent with other live loads.
 - All plates are 2x4 MT20 unless otherwise indicated.
 - Gable requires continuous bottom chord bearing.
 - Truss to be fully sheathed from one face or securely braced against lateral movement (i.e. diagonal web).
 - Gable studs spaced at 1-4-0 oc.
 - This truss has been designed for a 10.0 psf bottom chord live load nonconcurrent with any other live loads.
 - * This truss has been designed for a live load of 30.0psf on the bottom chord in all areas where a rectangle 3-6-0 tall by 1-0-0 wide will fit between the bottom chord and any other members, with BCDL = 10.0psf.
 - Provide mechanical connection (by others) of truss to bearing plate capable of withstanding 100 lb uplift at joint(s) 57, 29, 44, 45, 46, 47, 49, 50, 51, 52, 53, 54, 55, 56, 42, 41, 40, 39, 37, 36, 35, 34, 33, 32, 31, 30.
 - This truss is designed in accordance with the 2018 International Residential Code sections R502.11.1 and R802.10.2 and referenced standard ANSI/TPI 1.



9/30/2021

Warning!—Verify design parameters and read notes before use. This design is based only upon parameters shown, and is for an individual building component to be installed and loaded vertically. Applicability of design parameters and proper incorporation of component is responsibility of building designer – not truss designer or truss engineer. Bracing shown is for lateral support of individual web members only. Additional temporary bracing to ensure stability during construction is the responsibility of the erector. Additional permanent bracing of the overall structure is the responsibility of the building designer. For general guidance regarding fabrication, quality control, storage, delivery, erection and bracing, consult ANSI/TPI 1 *National Design Standard for Metal Plate Connected Wood Truss Construction* and BCSI 1-03 *Guide to Good Practice for Handling, Installing & Bracing of Metal Plate Connected Wood Trusses* from Truss Plate Institute, 583 D'Onofrio Drive, Madison, WI 53719.

Job	Truss	Truss Type	Qty	Ply	49786-0198 WOODGROVE FUQUAY VARINA, NC
21-5648-R01	R01	GABLE	1	1	Job Reference (optional) # 28752

8.430 s Feb 12 2021 MiTek Industries, Inc. Fri Oct 1 13:54:59 2021 Page 2
 ID:9CcuJl7eSaUnzH5X3uf?lgz6QyZ-??Romp9BlpOWYVRKaqqmHN9HGSRqJB1iQ5prWKyXn4A

- 15) Graphical bracing representation does not depict the size, type or the orientation of the brace on the member. Symbol only indicates that the member must be braced.
- 16) Bearing symbols are only graphical representations of a possible bearing condition. Bearing symbols are not considered in the structural design of the truss to support the loads indicated.
- 17) Web bracing shown is for lateral support of individual web members only. Refer to BCSI - Guide to Good Practice for Handling, Installing, Restraining & Bracing of Metal Plate Connected Wood Trusses for additional bracing guidelines, including diagonal bracing.
- 18) SEE BCSI-B3 SUMMARY SHEET- PERMANENT RESTRAING/BRACING OF CHORDS & WEB MEMBERS FOR RECOMMENDED MINIMUM BRACING REQUIREMENTS OF TOP CHORD, BOTTOM CHORD, AND WEB PLANES. IN ADDITION TO THESE MINIMUM GUIDELINES, ALWAYS CONSULT THE PROJECT ARCHITECT OR ENGINEER FOR ADDITIONAL BRACING CONSIDERATIONS.

LOAD CASE(S) Standard

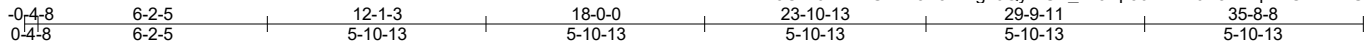


9/30/2021

Warning !—Verify design parameters and read notes before use. This design is based only upon parameters shown, and is for an individual building component to be installed and loaded vertically. Applicability of design parameters and proper incorporation of component is responsibility of building designer – not truss designer or truss engineer. Bracing shown is for lateral support of individual web members only. Additional temporary bracing to ensure stability during construction is the responsibility of the erector. Additional permanent bracing of the overall structure is the responsibility of the building designer. For general guidance regarding fabrication, quality control, storage, delivery, erection and bracing, consult ANSI/TPI 1 *National Design Standard for Metal Plate Connected Wood Truss Construction* and BCSI 1-03 *Guide to Good Practice for Handling, Installing & Bracing of Metal Plate Connected Wood Trusses* from Truss Plate Institute, 583 D'Onofrio Drive, Madison, WI 53719.

Job 21-5648-R01	Truss R02	Truss Type Common	Qty 9	Ply 1	49786-0198 WOODGROVE FUQUAY VARINA, NC
Job Reference (optional)					# 28752

8.430 s Feb 12 2021 MiTek Industries, Inc. Fri Oct 1 13:55:00 2021 Page 1
 ID:9CcuJl7eSaUnzH5X3uf?lgz6QyZ-UB ?z9Ap36WNAf0X8Yl?gaiEGrz2aUrfIYP2nyXn49



Scale = 1:62.1

Plate Offsets (X,Y)-- [2:0-3-9,0-0-13], [13:0-4-0,0-4-8], [14:0-4-0,0-4-8]					
LOADING (psf)	SPACING-	CSI.	DEFL.	PLATES	GRIP
TCLL (roof) 20.0	2-0-0	TC 0.98	in (loc) l/defl L/d	MT20	244/190
Snow (Pf) 20.0	Plate Grip DOL 1.15	BC 0.92	Vert(LL) -0.43 13-14 >999 240		
TCDL 10.0	Lumber DOL 1.15	WB 0.44	Vert(CT) -0.60 13-14 >713 180		
BCLL 0.0 *	Rep Stress Incr YES	Matrix-SH	Horz(CT) 0.07 12 n/a n/a		
BCDL 10.0	Code IRC2018/TPI2014			Weight: 227 lb	FT = 20%

LUMBER-	BRACING-
TOP CHORD 2x4 SP No.2	TOP CHORD Structural wood sheathing directly applied.
BOT CHORD 2x6 SP No.2	BOT CHORD Rigid ceiling directly applied or 2-2-0 oc bracing.
WEBS 2x4 SP No.3	
SLIDER Left 2x4 SP No.3 - 3-4-12, Right 2x6 SP No.2 - 3-3-9	

REACTIONS. (lb/size) 2=1451/0-3-8 (min. 0-1-11), 12=1428/Mechanical
 Max Horz 2=-118(LC 15)
 Max Uplift 2=-85(LC 14), 12=-78(LC 15)

FORCES. (lb) - Max. Comp./Max. Ten. - All forces 250 (lb) or less except when shown.
 TOP CHORD 2-3=-2444/178, 3-15=-2366/194, 4-15=-2352/204, 4-5=-2202/159, 5-6=-2145/180,
 6-16=-2219/242, 16-17=-2202/248, 7-17=-2145/266, 7-18=-2119/267, 18-19=-2176/249,
 8-19=-2193/243, 8-9=-2119/181, 9-10=-2159/159, 10-20=-2271/202, 11-20=-2297/189,
 11-12=-2374/177
 BOT CHORD 2-14=-197/2067, 14-21=0/1392, 21-22=0/1392, 13-22=0/1392, 12-13=-106/1987
 WEBS 4-14=-285/143, 6-14=-497/168, 7-14=-139/1074, 7-13=-139/1031, 8-13=-506/169

- NOTES-** (11-14)
- Unbalanced roof live loads have been considered for this design.
 - Wind: ASCE 7-16; Vult=115mph (3-second gust) Vasd=91mph; TCCL=5.0psf; BCDL=5.0psf; h=24ft; Cat. II; Exp B; Enclosed; MWFRS (envelope) gable end zone and C-C Exterior(2E) 0-4-8 to 3-7-2, Interior(1) 3-7-2 to 14-0-6, Exterior(2R) 14-0-6 to 21-11-10, Interior(1) 21-11-10 to 31-8-14, Exterior(2E) 31-8-14 to 35-8-8 zone; C-C for members and forces & MWFRS for reactions shown; Lumber DOL=1.60 plate grip DOL=1.60
 - TCLL: ASCE 7-16; Pr=20.0 psf (roof LL: Lum DOL=1.15 Plate DOL=1.15); Pf=20.0 psf (Lum DOL=1.15 Plate DOL=1.15); Is=1.0; Rough Cat B; Partially Exp.; Ce=1.0; Cs=1.00; Ct=1.10
 - Unbalanced snow loads have been considered for this design.
 - This truss has been designed for greater of min roof live load of 12.0 psf or 2.00 times flat roof load of 20.0 psf on overhangs non-concurrent with other live loads.
 - This truss has been designed for a 10.0 psf bottom chord live load nonconcurrent with any other live loads.
 - * This truss has been designed for a live load of 30.0psf on the bottom chord in all areas where a rectangle 3-6-0 tall by 1-0-0 wide will fit between the bottom chord and any other members, with BCDL = 10.0psf.
 - Refer to girder(s) for truss to truss connections.
 - Provide mechanical connection (by others) of truss to bearing plate capable of withstanding 100 lb uplift at joint(s) 2, 12.
 - This truss is designed in accordance with the 2018 International Residential Code sections R502.11.1 and R802.10.2 and referenced standard ANSI/TPI 1.



9/30/2021

Warning!—Verify design parameters and read notes before use. This design is based only upon parameters shown, and is for an individual building component to be installed and loaded vertically. Applicability of design parameters and proper incorporation of component is responsibility of building designer – not truss designer or truss engineer. Bracing shown is for lateral support of individual web members only. Additional temporary bracing to ensure stability during construction is the responsibility of the erector. Additional permanent bracing of the overall structure is the responsibility of the building designer. For general guidance regarding fabrication, quality control, storage, delivery, erection and bracing, consult ANSI/TPI 1 *National Design Standard for Metal Plate Connected Wood Truss Construction* and BCSI 1-03 *Guide to Good Practice for Handling, Installing & Bracing of Metal Plate Connected Wood Trusses* from Truss Plate Institute, 583 D'Onofrio Drive, Madison, WI 53719.

Job	Truss	Truss Type	Qty	Ply	49786-0198 WOODGROVE FUQUAY VARINA, NC
21-5648-R01	R02	Common	9	1	Job Reference (optional) # 28752

8.430 s Feb 12 2021 MiTek Industries, Inc. Fri Oct 1 13:55:01 2021 Page 2
 ID:9CcuJl7eSaUnzH5X3ur?lgz6QyZ-yNYNBVBRqQeEnpajiFpEMoEP0FJ?n1k?uPlyDyXn48

- 11) Graphical bracing representation does not depict the size, type or the orientation of the brace on the member. Symbol only indicates that the member must be braced.
- 12) Bearing symbols are only graphical representations of a possible bearing condition. Bearing symbols are not considered in the structural design of the truss to support the loads indicated.
- 13) Web bracing shown is for lateral support of individual web members only. Refer to BCSI - Guide to Good Practice for Handling, Installing, Restraining & Bracing of Metal Plate Connected Wood Trusses for additional bracing guidelines, including diagonal bracing.
- 14) SEE BCSI-B3 SUMMARY SHEET- PERMANENT RESTRAING/BRACING OF CHORDS & WEB MEMBERS FOR RECOMMENDED MINIMUM BRACING REQUIREMENTS OF TOP CHORD, BOTTOM CHORD, AND WEB PLANES. IN ADDITION TO THESE MINIMUM GUIDELINES, ALWAYS CONSULT THE PROJECT ARCHITECT OR ENGINEER FOR ADDITIONAL BRACING CONSIDERATIONS.

LOAD CASE(S) Standard

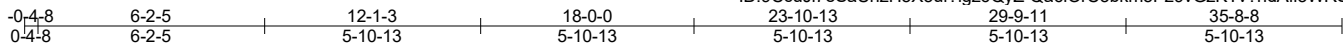


9/30/2021

Warning !—Verify design parameters and read notes before use. This design is based only upon parameters shown, and is for an individual building component to be installed and loaded vertically. Applicability of design parameters and proper incorporation of component is responsibility of building designer – not truss designer or truss engineer. Bracing shown is for lateral support of individual web members only. Additional temporary bracing to ensure stability during construction is the responsibility of the erector. Additional permanent bracing of the overall structure is the responsibility of the building designer. For general guidance regarding fabrication, quality control, storage, delivery, erection and bracing, consult ANSI/TPI 1 *National Design Standard for Metal Plate Connected Wood Truss Construction* and BCSI 1-03 *Guide to Good Practice for Handling, Installing & Bracing of Metal Plate Connected Wood Trusses* from Truss Plate Institute, 583 D'Onofrio Drive, Madison, WI 53719.

Job 21-5648-R01	Truss R02B	Truss Type Common	Qty 1	Ply 1	49786-0198 WOODGROVE FUQUAY VARINA, NC
					Job Reference (optional) # 28752

8.430 s Feb 12 2021 MiTek Industries, Inc. Fri Oct 1 13:55:02 2021 Page 1
ID:9CcuJl7eSaUnzH5X3uf?lgz6QyZ-Qa6lOrC3bkm5Pz9vGzKTV?ndAfi3WRS8731W7fyXn47



Scale = 1:63.1

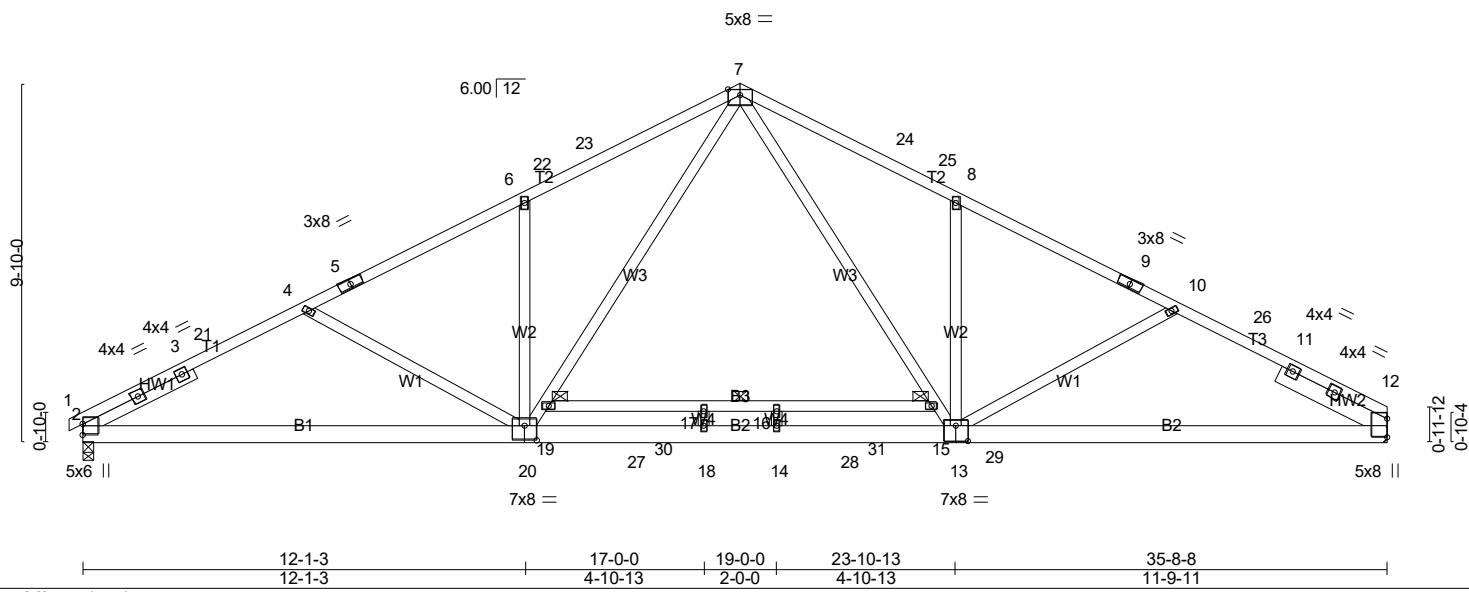


Plate Offsets (X,Y)--	[13:0-4-0,0-5-0], [20:0-4-0,0-4-12]
-----------------------	-------------------------------------

LOADING (psf)	SPACING-	CSI.	DEFL.	PLATES	GRIP
TCLL (roof) 20.0	2-0-0	TC 0.83	in (loc) l/defl L/d	MT20	244/190
Snow (Pf) 20.0	Plate Grip DOL 1.15	BC 0.73	Vert(LL) -0.54 14-18 >795 240		
TCDL 10.0	Lumber DOL 1.15	WB 0.61	Vert(CT) -0.81 14-18 >530 180		
BCLL 0.0 *	Rep Stress Incr YES	Matrix-SH	Horz(CT) 0.06 12 n/a n/a		
BCDL 10.0	Code IRC2018/TPI2014			Weight: 244 lb	FT = 20%

LUMBER-	BRACING-
TOP CHORD 2x4 SP No.2 *Except* T1: 2x4 SP No.1, T3: 2x4 SP SS	TOP CHORD Structural wood sheathing directly applied or 2-2-0 oc purlins.
BOT CHORD 2x6 SP DSS *Except* B1: 2x6 SP No.1, B3: 2x4 SP No.2	BOT CHORD Rigid ceiling directly applied or 9-6-15 oc bracing. Except: 6-0-0 oc bracing: 15-19
WEBS 2x4 SP No.3	MiTek recommends that Stabilizers and required cross bracing be installed during truss erection, in accordance with Stabilizer Installation guide.
SLIDER Left 2x4 SP No.3 - 3-4-12, Right 2x6 SP No.2 - 3-3-9	

REACTIONS. (lb/size) 2=1558/0-3-8 (min. 0-1-15), 12=1537/Mechanical
Max Horz 2=-118(LC 15)
Max Uplift 2=-31(LC 14), 12=-23(LC 15)
Max Grav 2=1637(LC 3), 12=1624(LC 3)

FORCES. (lb) - Max. Comp./Max. Ten. - All forces 250 (lb) or less except when shown.
TOP CHORD 2-3=-2903/66, 3-21=-2824/80, 4-21=-2810/92, 4-5=-2672/36, 5-6=-2631/61,
6-22=-2705/122, 22-23=-2688/128, 7-23=-2631/145, 7-24=-2611/146, 24-25=-2668/128,
8-25=-2685/122, 8-9=-2611/61, 9-10=-2649/37, 10-26=-2728/92, 11-26=-2753/81,
11-12=-2832/66
BOT CHORD 2-20=-101/2462, 20-27=0/1723, 18-27=0/1723, 14-18=0/1723, 14-28=0/1723, 28-29=0/1723,
13-29=0/1723, 12-13=-13/2375
WEBS 4-20=-263/157, 6-20=-500/165, 19-20=-103/1233, 7-19=-75/1326, 7-15=-74/1293,
13-15=-102/1200, 8-13=-507/165

- NOTES-** (12-15)
- 1) Unbalanced roof live loads have been considered for this design.
 - 2) Wind: ASCE 7-16; Vult=115mph (3-second gust) Vasd=91mph; TCCL=5.0psf; BCDL=5.0psf; h=24ft; Cat. II; Exp B; Enclosed; MWFRS (envelope) gable end zone and C-C Exterior(2E) -0-4-8 to 3-7-2, Interior(1) 3-7-2 to 14-0-6, Exterior(2R) 14-0-6 to 21-11-10, Interior(1) 21-11-10 to 31-8-14, Exterior(2E) 31-8-14 to 35-8-8 zone; C-C for members and forces & MWFRS for reactions shown; Lumber DOL=1.60 plate grip DOL=1.60
 - 3) TCCL: ASCE 7-16; Pr=20.0 psf (roof LL: Lum DOL=1.15 Plate DOL=1.15); Pf=20.0 psf (Lum DOL=1.15 Plate DOL=1.15); Is=1.0; Rough Cat B; Partially Exp.; Ce=1.0; Cs=1.00; Ct=1.10
 - 4) Unbalanced snow loads have been considered for this design.
 - 5) This truss has been designed for greater of min roof live load of 12.0 psf or 2.00 times flat roof load of 20.0 psf on overhangs non-concurrent with other live loads.
 - 6) All plates are 2x4 MT20 unless otherwise indicated.
 - 7) This truss has been designed for a 10.0 psf bottom chord live load nonconcurrent with any other live loads.
 - 8) * This truss has been designed for a live load of 30.0psf on the bottom chord in all areas where a rectangle 3-6-0 tall by 1-0-0 wide will fit between the bottom chord and any other members, with BCDL = 10.0psf.
 - 9) Refer to girder(s) for truss to truss connections.
 - 10) Provide mechanical connection (by others) of truss to bearing plate capable of withstanding 100 lb uplift at joint(s) 2, 12.
 - 11) This truss is designed in accordance with the 2018 International Residential Code sections R502.11.1 and R802.10.2 and referenced standard ANSI/TPI 1.



9/30/2021

Warning!—Verify design parameters and read notes before use. This design is based only upon parameters shown, and is for an individual building component to be installed and loaded vertically. Applicability of design parameters and proper incorporation of component is responsibility of building designer – not truss designer or truss engineer. Bracing shown is for lateral support of individual web members only. Additional temporary bracing to ensure stability during construction is the responsibility of the erector. Additional permanent bracing of the overall structure is the responsibility of the building designer. For general guidance regarding fabrication, quality control, storage, delivery, erection and bracing, consult ANSI/TPI 1 *National Design Standard for Metal Plate Connected Wood Truss Construction* and BCSI 1-03 *Guide to Good Practice for Handling, Installing & Bracing of Metal Plate Connected Wood Trusses* from Truss Plate Institute, 583 D'Onofrio Drive, Madison, WI 53719.

Job	Truss	Truss Type	Qty	Ply	49786-0198 WOODGROVE FUQUAY VARINA, NC
21-5648-R01	R02B	Common	1	1	Job Reference (optional) # 28752

8.430 s Feb 12 2021 MiTek Industries, Inc. Fri Oct 1 13:55:03 2021 Page 2
 ID:9CcuJl7eSaUnzH5X3uf?lgz6QyZ-umg7cBCiM1uy17k5pgriRDKow32IFuiHLjn3f6yXn46

- 12) Graphical bracing representation does not depict the size, type or the orientation of the brace on the member. Symbol only indicates that the member must be braced.
- 13) Bearing symbols are only graphical representations of a possible bearing condition. Bearing symbols are not considered in the structural design of the truss to support the loads indicated.
- 14) Web bracing shown is for lateral support of individual web members only. Refer to BCSI - Guide to Good Practice for Handling, Installing, Restraining & Bracing of Metal Plate Connected Wood Trusses for additional bracing guidelines, including diagonal bracing.
- 15) SEE BCSI-B3 SUMMARY SHEET- PERMANENT RESTRAING/BRACING OF CHORDS & WEB MEMBERS FOR RECOMMENDED MINIMUM BRACING REQUIREMENTS OF TOP CHORD, BOTTOM CHORD, AND WEB PLANES. IN ADDITION TO THESE MINIMUM GUIDELINES, ALWAYS CONSULT THE PROJECT ARCHITECT OR ENGINEER FOR ADDITIONAL BRACING CONSIDERATIONS.

LOAD CASE(S) Standard



9/30/2021

Warning !—Verify design parameters and read notes before use. This design is based only upon parameters shown, and is for an individual building component to be installed and loaded vertically. Applicability of design parameters and proper incorporation of component is responsibility of building designer – not truss designer or truss engineer. Bracing shown is for lateral support of individual web members only. Additional temporary bracing to ensure stability during construction is the responsibility of the erector. Additional permanent bracing of the overall structure is the responsibility of the building designer. For general guidance regarding fabrication, quality control, storage, delivery, erection and bracing, consult ANSI/TPI 1 *National Design Standard for Metal Plate Connected Wood Truss Construction* and BCSI 1-03 *Guide to Good Practice for Handling, Installing & Bracing of Metal Plate Connected Wood Trusses* from Truss Plate Institute, 583 D'Onofrio Drive, Madison, WI 53719.

Job 21-5648-R01	Truss R03	Truss Type Common	Qty 5	Ply 1	49786-0198 WOODGROVE FUQUAY VARINA, NC	# 28752
--------------------	--------------	----------------------	----------	----------	--	---------

8.430 s Feb 12 2021 MiTek Industries, Inc. Fri Oct 1 13:55:05 2021 Page 1
 ID:9CcuJl7eSaUnzH5X3uf?lgz6QyZ-q9ou1tEyuf9gGQuUx5tAXeP8Dsh1jrkap1GAk_yXn44



Scale = 1:62.5

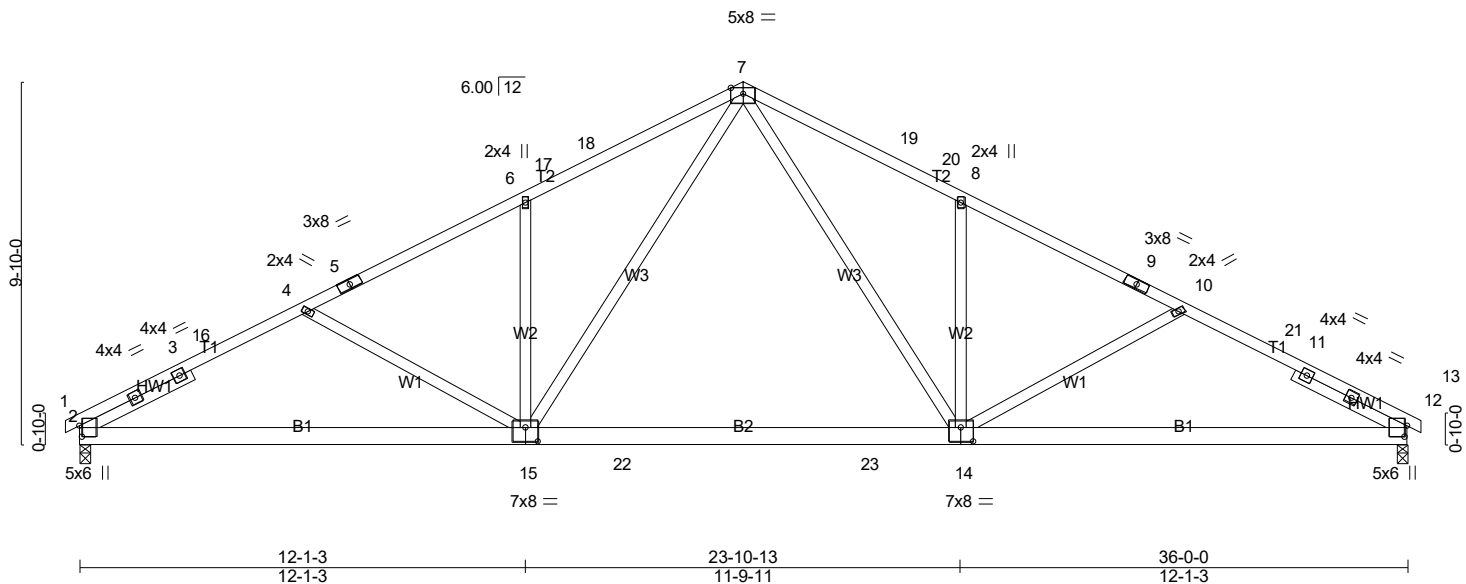


Plate Offsets (X,Y)-- [2:0-3-9,0-0-13], [12:0-3-9,0-0-13], [14:0-4-0,0-4-8], [15:0-4-0,0-4-8]

LOADING (psf)	SPACING-	CSI.	DEFL.	PLATES	GRIP
TCLL (roof) 20.0	2-0-0	TC 0.78	in (loc) l/defl L/d	MT20	244/190
Snow (Pf) 20.0	Plate Grip DOL 1.15	BC 0.91	Vert(LL) -0.43 14-15 >999 240		
TCDL 10.0	Lumber DOL 1.15	WB 0.44	Vert(CT) -0.60 14-15 >722 180		
BCLL 0.0 *	Rep Stress Incr YES	Matrix-SH	Horz(CT) 0.07 12 n/a n/a		
BCDL 10.0	Code IRC2018/TPI2014			Weight: 226 lb	FT = 20%

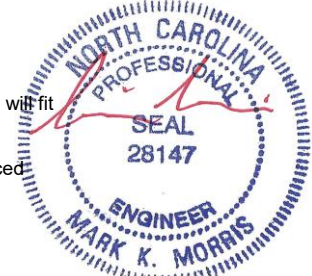
LUMBER-
 TOP CHORD 2x4 SP No.2
 BOT CHORD 2x6 SP No.2
 WEBS 2x4 SP No.3
 SLIDER Left 2x4 SP No.3 - 3-4-12, Right 2x4 SP No.3 - 3-4-12

BRACING-
 TOP CHORD Structural wood sheathing directly applied or 2-2-0 oc purlins.
 BOT CHORD Rigid ceiling directly applied or 10-0-0 oc bracing.
 MiTek recommends that Stabilizers and required cross bracing be installed during truss erection, in accordance with Stabilizer Installation guide.

REACTIONS. (lb/size) 2=1463/0-3-8 (min. 0-1-12), 12=1463/0-3-8 (min. 0-1-12)
 Max Horz 2=-112(LC 19)
 Max Uplift 2=-84(LC 14), 12=-84(LC 15)

FORCES. (lb) - Max. Comp./Max. Ten. - All forces 250 (lb) or less except when shown.
 TOP CHORD 2-3=-2466/178, 3-16=-2388/193, 4-16=-2374/204, 4-5=-2225/159, 5-6=-2168/180,
 6-17=-2241/242, 17-18=-2224/248, 7-18=-2168/266, 7-19=-2168/266, 19-20=-2224/248,
 8-20=-2241/242, 8-9=-2168/180, 9-10=-2225/159, 10-21=-2374/204, 11-21=-2388/193,
 11-12=-2466/178
 BOT CHORD 2-15=-199/2086, 15-22=-7/1414, 22-23=-7/1414, 14-23=-7/1414, 12-14=-123/2086
 WEBS 7-14=-139/1070, 8-14=-497/167, 10-14=-284/143, 7-15=-139/1070, 6-15=-497/167,
 4-15=-284/143

- NOTES-** (10-13)
- Unbalanced roof live loads have been considered for this design.
 - Wind: ASCE 7-16; Vult=115mph (3-second gust) Vasd=91mph; TCCL=5.0psf; BCDL=5.0psf; h=24ft; Cat. II; Exp B; Enclosed; MWFRS (envelope) gable end zone and C-C Exterior(2E) -0-4-8 to 3-7-2, Interior(1) 3-7-2 to 14-0-6, Exterior(2R) 14-0-6 to 21-11-10, Interior(1) 21-11-10 to 32-4-14, Exterior(2E) 32-4-14 to 36-4-8 zone; C-C for members and forces & MWFRS for reactions shown; Lumber DOL=1.60 plate grip DOL=1.60
 - TCLL: ASCE 7-16; Pr=20.0 psf (roof LL: Lum DOL=1.15 Plate DOL=1.15); Pf=20.0 psf (Lum DOL=1.15 Plate DOL=1.15); Is=1.0; Rough Cat B; Partially Exp.; Ce=1.0; Cs=1.00; Ct=1.10
 - Unbalanced snow loads have been considered for this design.
 - This truss has been designed for greater of min roof live load of 12.0 psf or 2.00 times flat roof load of 20.0 psf on overhangs non-concurrent with other live loads.
 - This truss has been designed for a 10.0 psf bottom chord live load nonconcurrent with any other live loads.
 - * This truss has been designed for a live load of 30.0psf on the bottom chord in all areas where a rectangle 3-6-0 tall by 1-0-0 wide will fit between the bottom chord and any other members, with BCDL = 10.0psf.
 - Provide mechanical connection (by others) of truss to bearing plate capable of withstanding 100 lb uplift at joint(s) 2, 12.
 - This truss is designed in accordance with the 2018 International Residential Code sections R502.11.1 and R802.10.2 and referenced standard ANSI/TPI 1.



9/30/2021

Warning!—Verify design parameters and read notes before use. This design is based only upon parameters shown, and is for an individual building component to be installed and loaded vertically. Applicability of design parameters and proper incorporation of component is responsibility of building designer – not truss designer or truss engineer. Bracing shown is for lateral support of individual web members only. Additional temporary bracing to ensure stability during construction is the responsibility of the erector. Additional permanent bracing of the overall structure is the responsibility of the building designer. For general guidance regarding fabrication, quality control, storage, delivery, erection and bracing, consult ANSI/TPI 1 *National Design Standard for Metal Plate Connected Wood Truss Construction* and BCSI I-03 *Guide to Good Practice for Handling, Installing & Bracing of Metal Plate Connected Wood Trusses* from Truss Plate Institute, 583 D'Onofrio Drive, Madison, WI 53719.

Job	Truss	Truss Type	Qty	Ply	49786-0198 WOODGROVE FUQUAY VARINA, NC
21-5648-R01	R03	Common	5	1	Job Reference (optional) # 28752

8.430 s Feb 12 2021 MiTek Industries, Inc. Fri Oct 1 13:55:05 2021 Page 2
 ID:9CcuJl7eSaUnzH5X3uf?lgz6QyZ-q9ou1tEyuf9gGQuUx5tAXeP8Dsh1jrkap1GAk_yXn44

- 10) Graphical bracing representation does not depict the size, type or the orientation of the brace on the member. Symbol only indicates that the member must be braced.
- 11) Bearing symbols are only graphical representations of a possible bearing condition. Bearing symbols are not considered in the structural design of the truss to support the loads indicated.
- 12) Web bracing shown is for lateral support of individual web members only. Refer to BCSI - Guide to Good Practice for Handling, Installing, Restraining & Bracing of Metal Plate Connected Wood Trusses for additional bracing guidelines, including diagonal bracing.
- 13) SEE BCSI-B3 SUMMARY SHEET- PERMANENT RESTRAING/BRACING OF CHORDS & WEB MEMBERS FOR RECOMMENDED MINIMUM BRACING REQUIREMENTS OF TOP CHORD, BOTTOM CHORD, AND WEB PLANES. IN ADDITION TO THESE MINIMUM GUIDELINES, ALWAYS CONSULT THE PROJECT ARCHITECT OR ENGINEER FOR ADDITIONAL BRACING CONSIDERATIONS.

LOAD CASE(S) Standard

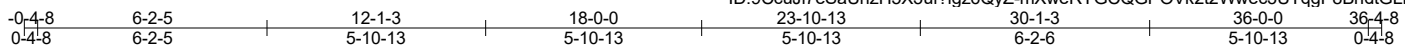


9/30/2021

Warning !—Verify design parameters and read notes before use. This design is based only upon parameters shown, and is for an individual building component to be installed and loaded vertically. Applicability of design parameters and proper incorporation of component is responsibility of building designer – not truss designer or truss engineer. Bracing shown is for lateral support of individual web members only. Additional temporary bracing to ensure stability during construction is the responsibility of the erector. Additional permanent bracing of the overall structure is the responsibility of the building designer. For general guidance regarding fabrication, quality control, storage, delivery, erection and bracing, consult ANSI/TPI 1 *National Design Standard for Metal Plate Connected Wood Truss Construction* and BCSI 1-03 *Guide to Good Practice for Handling, Installing & Bracing of Metal Plate Connected Wood Trusses* from Truss Plate Institute, 583 D'Onofrio Drive, Madison, WI 53719.

Job 21-5648-R01	Truss R03B	Truss Type COMMON	Qty 4	Ply 1	49786-0198 WOODGROVE FUQUAY VARINA, NC	# 28752
--------------------	---------------	----------------------	----------	----------	--	---------

8.430 s Feb 12 2021 MiTek Industries, Inc. Fri Oct 1 13:55:07 2021 Page 1
 ID:9CcuJl7eSaUnzH5X3ur?lgz6QyZ-mXweRYGCQGPOvk2t2Wwec3UTqgP8BhdGLIGotyXn42



Scale = 1:62.4

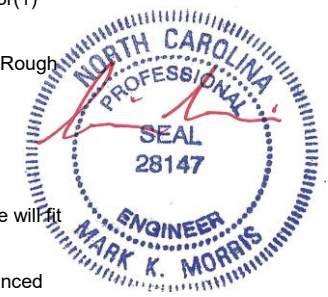
Plate Offsets (X,Y)-- [14:0-4-0,0-5-0], [21:0-4-0,0-5-0]					
LOADING (psf)	SPACING	CSI.	DEFL.	PLATES	GRIP
TCLL (roof) 20.0	2-0-0	TC 0.83	in (loc) l/defl L/d	MT20	244/190
Snow (Pf) 20.0	Plate Grip DOL 1.15	BC 0.74	Vert(LL) -0.55 15-19 >779 240		
TCDL 10.0	Lumber DOL 1.15	WB 0.61	Vert(CT) -0.83 15-19 >522 180		
BCLL 0.0 *	Rep Stress Incr YES	Matrix-SH	Horz(CT) 0.07 12 n/a n/a		
BCDL 10.0	Code IRC2018/TPI2014			Weight: 243 lb	FT = 20%

LUMBER-	BRACING-
TOP CHORD 2x4 SP No.2 *Except* T1: 2x4 SP No.1	TOP CHORD Structural wood sheathing directly applied or 2-2-0 oc purlins.
BOT CHORD 2x6 SP No.1 *Except* B2: 2x6 SP DSS, B3: 2x4 SP No.2	BOT CHORD Rigid ceiling directly applied or 9-5-9 oc bracing. Except: 6-0-0 oc bracing: 16-20
WEBS 2x4 SP No.3	MiTek recommends that Stabilizers and required cross bracing be installed during truss erection, in accordance with Stabilizer Installation guide.
SLIDER Left 2x4 SP No.3 - 3-4-12, Right 2x4 SP No.3 - 3-2-12	

REACTIONS. (lb/size) 2=1571/0-3-8 (min. 0-1-15), 12=1571/0-3-8 (min. 0-1-15)
 Max Horz 2=-112(LC 19)
 Max Uplift 2=-30(LC 14), 12=-30(LC 15)
 Max Grav 2=1650(LC 3), 12=1650(LC 3)

FORCES. (lb) - Max. Comp./Max. Ten. - All forces 250 (lb) or less except when shown.
 TOP CHORD 2-3=-2930/65, 3-22=-2851/79, 4-22=-2836/91, 4-5=-2700/35, 5-6=-2660/60,
 6-23=-2734/120, 23-24=-2716/127, 7-24=-2660/144, 7-25=-2660/145, 25-26=-2718/127,
 8-26=-2735/121, 8-9=-2660/59, 9-10=-2704/33, 10-27=-2838/94, 11-27=-2856/83,
 11-12=-2930/69
 BOT CHORD 2-21=-102/2485, 21-28=0/1746, 28-29=0/1746, 19-29=0/1746, 15-19=0/1746, 15-30=0/1746,
 14-30=0/1746, 12-14=-31/2487
 WEBS 4-21=-262/156, 6-21=-500/165, 20-21=-103/1237, 7-20=-75/1329, 7-16=-76/1331,
 14-16=-103/1238, 8-14=-510/170, 10-14=-268/162

- NOTES-** (11-14)
- Unbalanced roof live loads have been considered for this design.
 - Wind: ASCE 7-16; Vult=115mph (3-second gust) Vasd=91mph; TC DL=5.0psf; BCDL=5.0psf; h=24ft; Cat. II; Exp B; Enclosed; MWFRS (envelope) gable end zone and C-C Exterior(2E) -0-4-8 to 3-7-2, Interior(1) 3-7-2 to 14-0-6, Exterior(2R) 14-0-6 to 21-11-10, Interior(1) 21-11-10 to 32-4-14, Exterior(2E) 32-4-14 to 36-4-8 zone; C-C for members and forces & MWFRS for reactions shown; Lumber DOL=1.60 plate grip DOL=1.60
 - TCLL: ASCE 7-16; Pr=20.0 psf (roof LL: Lum DOL=1.15 Plate DOL=1.15); Pf=20.0 psf (Lum DOL=1.15 Plate DOL=1.15); Is=1.0; Rough Cat B; Partially Exp.; Ce=1.0; Cs=1.00; Ct=1.10
 - Unbalanced snow loads have been considered for this design.
 - This truss has been designed for greater of min roof live load of 12.0 psf or 2.00 times flat roof load of 20.0 psf on overhangs non-concurrent with other live loads.
 - All plates are 2x4 MT20 unless otherwise indicated.
 - This truss has been designed for a 10.0 psf bottom chord live load nonconcurrent with any other live loads.
 - * This truss has been designed for a live load of 30.0psf on the bottom chord in all areas where a rectangle 3-6-0 tall by 1-0-0 wide will fit between the bottom chord and any other members, with BCDL = 10.0psf.
 - Provide mechanical connection (by others) of truss to bearing plate capable of withstanding 100 lb uplift at joint(s) 2, 12.
 - This truss is designed in accordance with the 2018 International Residential Code sections R502.11.1 and R802.10.2 and referenced standard ANSI/TPI 1.



9/30/2021

Warning!—Verify design parameters and read notes before use. This design is based only upon parameters shown, and is for an individual building component to be installed and loaded vertically. Applicability of design parameters and proper incorporation of component is responsibility of building designer – not truss designer or truss engineer. Bracing shown is for lateral support of individual web members only. Additional temporary bracing to ensure stability during construction is the responsibility of the erector. Additional permanent bracing of the overall structure is the responsibility of the building designer. For general guidance regarding fabrication, quality control, storage, delivery, erection and bracing, consult ANSI/TPI 1 *National Design Standard for Metal Plate Connected Wood Truss Construction* and BCSI I-03 *Guide to Good Practice for Handling, Installing & Bracing of Metal Plate Connected Wood Trusses* from Truss Plate Institute, 583 D'Onofrio Drive, Madison, WI 53719.

Job	Truss	Truss Type	Qty	Ply	49786-0198 WOODGROVE FUQUAY VARINA, NC
21-5648-R01	R03B	COMMON	4	1	Job Reference (optional) # 28752

8.430 s Feb 12 2021 MiTek Industries, Inc. Fri Oct 1 13:55:08 2021 Page 2
 ID:9CcuJl7eSaUnzH5X3uf?lgz6QyZ-FkT0fuGqAaXF7ud3cDRt8G1ea4INw8s1V?UqKJyXn41

- 11) Graphical bracing representation does not depict the size, type or the orientation of the brace on the member. Symbol only indicates that the member must be braced.
- 12) Bearing symbols are only graphical representations of a possible bearing condition. Bearing symbols are not considered in the structural design of the truss to support the loads indicated.
- 13) Web bracing shown is for lateral support of individual web members only. Refer to BCSI - Guide to Good Practice for Handling, Installing, Restraining & Bracing of Metal Plate Connected Wood Trusses for additional bracing guidelines, including diagonal bracing.
- 14) SEE BCSI-B3 SUMMARY SHEET- PERMANENT RESTRAING/BRACING OF CHORDS & WEB MEMBERS FOR RECOMMENDED MINIMUM BRACING REQUIREMENTS OF TOP CHORD, BOTTOM CHORD, AND WEB PLANES. IN ADDITION TO THESE MINIMUM GUIDELINES, ALWAYS CONSULT THE PROJECT ARCHITECT OR ENGINEER FOR ADDITIONAL BRACING CONSIDERATIONS.

LOAD CASE(S) Standard

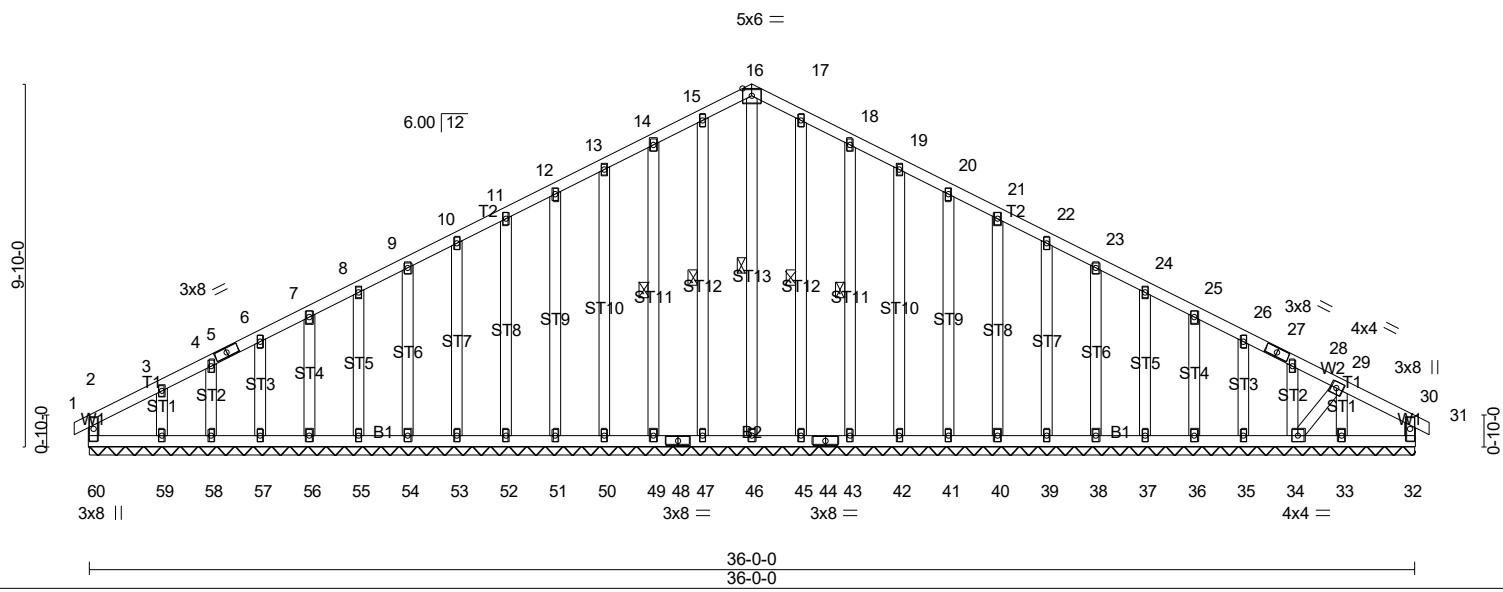


9/30/2021

Warning !—Verify design parameters and read notes before use. This design is based only upon parameters shown, and is for an individual building component to be installed and loaded vertically. Applicability of design parameters and proper incorporation of component is responsibility of building designer – not truss designer or truss engineer. Bracing shown is for lateral support of individual web members only. Additional temporary bracing to ensure stability during construction is the responsibility of the erector. Additional permanent bracing of the overall structure is the responsibility of the building designer. For general guidance regarding fabrication, quality control, storage, delivery, erection and bracing, consult ANSI/TPI 1 *National Design Standard for Metal Plate Connected Wood Truss Construction* and BCSI 1-03 *Guide to Good Practice for Handling, Installing & Bracing of Metal Plate Connected Wood Trusses* from Truss Plate Institute, 583 D'Onofrio Drive, Madison, WI 53719.

-0-4-8
0-4-8
18-0-0
18-0-0
36-0-0
18-0-0
36-4-8
0-4-8

Scale = 1:62.5



LOADING (psf)	TCLL (roof) 20.0 Snow (Pf) 20.0 BCDL 10.0 BCLL 0.0 * BCDL 10.0	SPACING-	2-0-0 Plate Grip DOL 1.15 Lumber DOL 1.15 Rep Stress Incr YES Code IRC2018/TPI2014	CSI.	TC 0.10 BC 0.09 WB 0.14 Matrix-SH	DEFL.	in (loc) l/defl L/d Vert(LL) 0.00 30 n/r 180 Vert(CT) 0.00 30 n/r 80 Horz(CT) 0.01 32 n/a n/a	PLATES	GRIP
								MT20	244/190
								Weight: 309 lb FT = 20%	

LUMBER-
 TOP CHORD 2x4 SP No.2
 BOT CHORD 2x4 SP No.3
 WEBS 2x4 SP No.3
 OTHERS 2x4 SP No.3

BRACING-
 TOP CHORD Structural wood sheathing directly applied or 6-0-0 oc purlins, except end verticals.
 BOT CHORD Rigid ceiling directly applied or 10-0-0 oc bracing, Except: 6-0-0 oc bracing: 33-34,32-33.
 WEBS 1 Row at midpt 16-46, 15-47, 14-49, 17-45, 18-43

MiTek recommends that Stabilizers and required cross bracing be installed during truss erection, in accordance with Stabilizer Installation guide.

REACTIONS. All bearings 36-0-0.
 (lb) - Max Horz 60=112(LC 18)
 Max Uplift All uplift 100 lb or less at joint(s) 60, 32, 47, 49, 50, 51, 52, 53, 54, 55, 56, 57, 58, 59, 45, 43, 42, 41, 40, 39, 38, 37, 36, 35 except 34=106(LC 15)
 Max Grav All reactions 250 lb or less at joint(s) 60, 32, 46, 47, 49, 50, 51, 52, 53, 54, 55, 56, 57, 58, 59, 45, 43, 42, 41, 40, 39, 38, 37, 36, 35, 34, 33

FORCES. (lb) - Max. Comp./Max. Ten. - All forces 250 (lb) or less except when shown.

- NOTES-** (15-18)
- 1) Unbalanced roof live loads have been considered for this design.
 - 2) Wind: ASCE 7-16; Vult=115mph (3-second gust) Vasd=91mph; TCCL=5.0psf; BCDL=5.0psf; h=24ft; Cat. II; Exp B; Enclosed; MWFRS (envelope) gable end zone and C-C Corner(3E) -0-4-8 to 3-4-0, Exterior(2N) 3-4-0 to 14-0-0, Corner(3R) 14-0-0 to 22-0-0, Exterior(2N) 22-0-0 to 32-4-14, Corner(3E) 32-4-14 to 36-4-8 zone;C-C for members and forces & MWFRS for reactions shown; Lumber DOL=1.60 plate grip DOL=1.60
 - 3) Truss designed for wind loads in the plane of the truss only. For studs exposed to wind (normal to the face), see Standard Industry Gable End Details as applicable, or consult qualified building designer as per ANSI/TPI 1.
 - 4) TCLL: ASCE 7-16; Pr=20.0 psf (roof LL: Lum DOL=1.15 Plate DOL=1.15); Pf=20.0 psf (Lum DOL=1.15 Plate DOL=1.15); Is=1.0; Rough Cat B; Partially Exp.; Ce=1.0; Cs=1.00; Ct=1.10
 - 5) Unbalanced snow loads have been considered for this design.
 - 6) This truss has been designed for greater of min roof live load of 12.0 psf or 2.00 times flat roof load of 20.0 psf on overhangs non-concurrent with other live loads.
 - 7) All plates are 2x4 MT20 unless otherwise indicated.
 - 8) Gable requires continuous bottom chord bearing.
 - 9) Truss to be fully sheathed from one face or securely braced against lateral movement (i.e. diagonal web).
 - 10) Gable studs spaced at 1-4-0 oc.
 - 11) This truss has been designed for a 10.0 psf bottom chord live load nonconcurrent with any other live loads.
 - 12) * This truss has been designed for a live load of 30.0psf on the bottom chord in all areas where a rectangle 3-6-0 tall by 1-0-0 wide will fit between the bottom chord and any other members, with BCDL = 10.0psf.
 - 13) Provide mechanical connection (by others) of truss to bearing plate capable of withstanding 100 lb uplift at joint(s) 60, 32, 47, 49, 50, 51, 52, 53, 54, 55, 56, 57, 58, 59, 45, 43, 42, 41, 40, 39, 38, 37, 36, 35 except (jt=lb) 34=106.
 - 14) This truss is designed in accordance with the 2018 International Residential Code sections R502.11.1 and R802.10.2 and referenced standard ANSI/TPI 1.



9/30/2021

Warning!—Verify design parameters and read notes before use. This design is based only upon parameters shown, and is for an individual building component to be installed and loaded vertically. Applicability of design parameters and proper incorporation of component is responsibility of building designer – not truss designer or truss engineer. Bracing shown is for lateral support of individual web members only. Additional temporary bracing to ensure stability during construction is the responsibility of the erector. Additional permanent bracing of the overall structure is the responsibility of the building designer. For general guidance regarding fabrication, quality control, storage, delivery, erection and bracing, consult ANSI/TPI 1 *National Design Standard for Metal Plate Connected Wood Truss Construction* and BCSI 1-03 *Guide to Good Practice for Handling, Installing & Bracing of Metal Plate Connected Wood Trusses* from Truss Plate Institute, 583 D'Onofrio Drive, Madison, WI 53719.

Job	Truss	Truss Type	Qty	Ply	49786-0198 WOODGROVE FUQUAY VARINA, NC
21-5648-R01	R04	GABLE	1	1	Job Reference (optional) # 28752

8.430 s Feb 12 2021 MiTek Industries, Inc. Fri Oct 1 13:55:12 2021 Page 2
 ID:9CcuJl7eSaUnzH5X3uf?lgz6QyZ-7VjXVGJLEo1gcVwqr3VpJ6CW?hGTs3FcQcS1S4yXn3z

- 15) Graphical bracing representation does not depict the size, type or the orientation of the brace on the member. Symbol only indicates that the member must be braced.
- 16) Bearing symbols are only graphical representations of a possible bearing condition. Bearing symbols are not considered in the structural design of the truss to support the loads indicated.
- 17) Web bracing shown is for lateral support of individual web members only. Refer to BCSI - Guide to Good Practice for Handling, Installing, Restraining & Bracing of Metal Plate Connected Wood Trusses for additional bracing guidelines, including diagonal bracing.
- 18) SEE BCSI-B3 SUMMARY SHEET- PERMANENT RESTRAING/BRACING OF CHORDS & WEB MEMBERS FOR RECOMMENDED MINIMUM BRACING REQUIREMENTS OF TOP CHORD, BOTTOM CHORD, AND WEB PLANES. IN ADDITION TO THESE MINIMUM GUIDELINES, ALWAYS CONSULT THE PROJECT ARCHITECT OR ENGINEER FOR ADDITIONAL BRACING CONSIDERATIONS.

LOAD CASE(S) Standard



9/30/2021

Warning !—Verify design parameters and read notes before use. This design is based only upon parameters shown, and is for an individual building component to be installed and loaded vertically. Applicability of design parameters and proper incorporation of component is responsibility of building designer – not truss designer or truss engineer. Bracing shown is for lateral support of individual web members only. Additional temporary bracing to ensure stability during construction is the responsibility of the erector. Additional permanent bracing of the overall structure is the responsibility of the building designer. For general guidance regarding fabrication, quality control, storage, delivery, erection and bracing, consult ANSI/TPI 1 *National Design Standard for Metal Plate Connected Wood Truss Construction* and BCSI 1-03 *Guide to Good Practice for Handling, Installing & Bracing of Metal Plate Connected Wood Trusses* from Truss Plate Institute, 583 D'Onofrio Drive, Madison, WI 53719.

Job	Truss	Truss Type	Qty	Ply	49786-0198 WOODGROVE FUQUAY VARINA, NC
21-5648-R01	R05	GABLE	1	2	Job Reference (optional) # 28752

8.430 s Feb 12 2021 MiTek Industries, Inc. Fri Oct 1 13:55:17 2021 Page 1
 ID:9CcuJl7eSaUnzH5X3uf?lgz6QyZ-USWQYzNU3LfziGpoc5_0AvC0ioYX9HLZuAo8lyXn3u

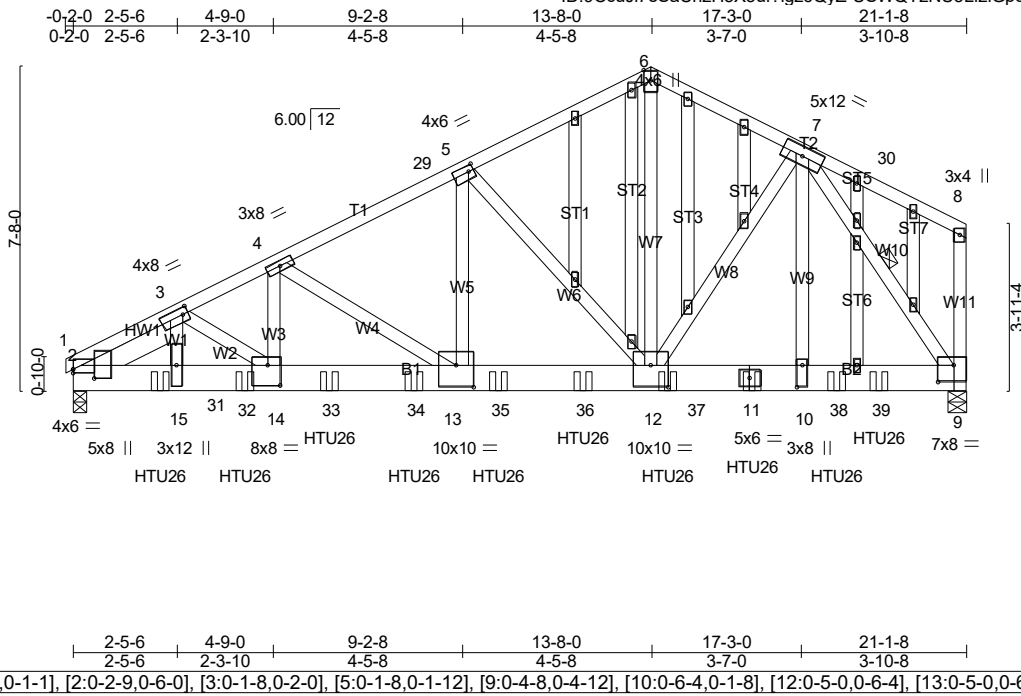


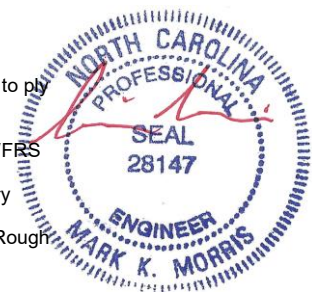
Plate Offsets (X,Y)--	[2:0-0-0,0-1-1], [2:0-2-9,0-6-0], [3:0-1-8,0-2-0], [5:0-1-8,0-1-12], [9:0-4-8,0-4-12], [10:0-6-4,0-1-8], [12:0-5-0,0-6-4], [13:0-5-0,0-6-4], [14:0-3-8,0-5-12]				
LOADING (psf)	SPACING-	CSI.	DEFL.	PLATES	GRIP
TCLL (roof) 20.0	2-0-0	TC 0.72	in (loc) l/defl L/d	MT20	244/190
Snow (Pf) 20.0	Plate Grip DOL 1.15	BC 0.86	Vert(LL) -0.11 13-14 >999 240		
TCDL 10.0	Lumber DOL 1.15	WB 0.85	Vert(CT) -0.22 13-14 >999 180		
BCLL 0.0 *	Rep Stress Incr NO	Matrix-SH	Horz(CT) 0.05 9 n/a n/a		
BCDL 10.0	Code IRC2018/TPI2014			Weight: 430 lb	FT = 20%

LUMBER-	BRACING-
TOP CHORD 2x4 SP No.1 *Except* T2: 2x4 SP No.2	TOP CHORD Structural wood sheathing directly applied or 3-0-12 oc purlins, except end verticals.
BOT CHORD 2x8 SP DSS *Except* B2: 2x8 SP No.1	BOT CHORD Rigid ceiling directly applied or 10-0-0 oc bracing.
WEBS 2x4 SP No.3 *Except* W5,W7,W11,W10: 2x4 SP No.2	WEBS 1 Row at midpt 7-9
OTHERS 2x4 SP No.3	
SLIDER Left 2x6 SP No.2 - 2-4-5	

REACTIONS. (lb/size) 2=7642/0-3-14 (min. 0-3-14), 9=8234/0-5-0 (min. 0-2-6)
 Max Horz 2=145(LC 12)
 Max Uplift 2=-463(LC 12), 9=-436(LC 12)
 Max Grav 2=7688(LC 19), 9=8243(LC 20)

FORCES. (lb) - Max. Comp./Max. Ten. - All forces 250 (lb) or less except when shown.
 TOP CHORD 2-3=-12109/732, 3-4=-12130/749, 4-29=-10053/617, 5-29=-9954/627, 5-6=-6532/427, 6-7=-6438/440
 BOT CHORD 2-31=-718/9933, 15-31=-718/9933, 15-32=-718/9933, 14-32=-718/9933, 14-33=-754/10849, 33-34=-754/10849, 13-34=-754/10849, 13-35=-575/8702, 35-36=-575/8702, 12-36=-575/8702, 12-37=-278/4929, 11-37=-278/4929, 10-11=-278/4929, 10-38=-278/4929, 38-39=-278/4929, 9-39=-278/4929
 WEBS 4-14=-98/1974, 4-13=-2292/197, 5-13=-258/4523, 5-12=-4409/348, 6-12=-332/5454, 7-12=-118/1558, 7-10=-101/2856, 7-9=-8530/482, 3-14=-53/1114, 3-15=-40/763

- NOTES-** (17-20)
- 2-ply truss to be connected together with 10d (0.131"x3") nails as follows:
 Top chords connected as follows: 2x4 - 1 row at 0-7-0 oc.
 Bottom chords connected as follows: 2x8 - 2 rows staggered at 0-4-0 oc.
 Webs connected as follows: 2x4 - 1 row at 0-9-0 oc, Except member 3-15 2x4 - 1 row at 0-2-0 oc.
 - All loads are considered equally applied to all plies, except if noted as front (F) or back (B) face in the LOAD CASE(S) section. Ply to ply connections have been provided to distribute only loads noted as (F) or (B), unless otherwise indicated.
 - Unbalanced roof live loads have been considered for this design.
 - Wind: ASCE 7-16; Vult=115mph (3-second gust) Vasd=91mph; TCCL=5.0psf; BCCL=5.0psf; h=23ft; Cat. II; Exp B; Enclosed; MWFRS (envelope) gable end zone; Lumber DOL=1.60 plate grip DOL=1.60
 - Truss designed for wind loads in the plane of the truss only. For studs exposed to wind (normal to the face), see Standard Industry Gable End Details as applicable, or consult qualified building designer as per ANSI/TPI 1.
 - TCCL: ASCE 7-16; Pr=20.0 psf (roof LL: Lum DOL=1.15 Plate DOL=1.15); Pf=20.0 psf (Lum DOL=1.15 Plate DOL=1.15); Is=1.0; Rough Cat B; Partially Exp.; Ce=1.00; Cs=1.00; Ct=1.10
 - Unbalanced snow loads have been considered for this design.
 - All plates are 2x4 MT20 unless otherwise indicated.
 - Gable studs spaced at 1-4-0 oc.



9/30/2021

This truss was designed for and fabricated to meet the load requirements of the building component for which it is intended. It is the responsibility of the building designer to ensure that the truss is properly installed and loaded. Continued on page 2
 Vertically. Applicability of design parameters and proper incorporation of component is responsibility of building designer - not truss designer or truss engineer. Bracing shown is for lateral support of individual web members only. Additional temporary bracing to ensure stability during construction is the responsibility of the erector. Additional permanent bracing of the overall structure is the responsibility of the building designer. For general guidance regarding fabrication, quality control, storage, delivery, erection and bracing, consult ANSI/TPI 1 National Design Standard for Metal Plate Connected Wood Truss Construction and BCSI I-03 Guide to Good Practice for Handling, Installing & Bracing of Metal Plate Connected Wood Trusses from Truss Plate Institute, 583 D'Onofrio Drive, Madison, WI 53719.

Job	Truss	Truss Type	Qty	Ply	49786-0198 WOODGROVE FUQUAY VARINA, NC
21-5648-R01	R05	GABLE	1	2	Job Reference (optional) # 28752

8.430 s Feb 12 2021 MiTek Industries, Inc. Fri Oct 1 13:55:17 2021 Page 2
 ID:9CcuJl7eSaUnzH5X3uf?lgz6QyZ-USWQYzNU3LfziGpoec5_0AvC0ioYX9HLZuAo8lyXn3u

NOTES- (17-20)

- 11) * This truss has been designed for a live load of 30.0psf on the bottom chord in all areas where a rectangle 3-6-0 tall by 1-0-0 wide will fit between the bottom chord and any other members.
- 12) Bearing at joint(s) 9 considers parallel to grain value using ANSI/TPI 1 angle to grain formula. Building designer should verify capacity of bearing surface.
- 13) Provide mechanical connection (by others) of truss to bearing plate capable of withstanding 100 lb uplift at joint(s) except (jt=lb) 2=463, 9=436.
- 14) This truss is designed in accordance with the 2018 International Residential Code sections R502.11.1 and R802.10.2 and referenced standard ANSI/TPI 1.
- 15) Use Simpson Strong-Tie HTU26 (20-10d Girder, 11-10dx1 1/2 Truss, Single Ply Girder) or equivalent spaced at 2-0-0 oc max. starting at 2-0-12 from the left end to 19-0-12 to connect truss(es) R02 (1 ply 2x6 SP), R02B (1 ply 2x6 SP) to back face of bottom chord.
- 16) Fill all nail holes where hanger is in contact with lumber.
- 17) Graphical bracing representation does not depict the size, type or the orientation of the brace on the member. Symbol only indicates that the member must be braced.
- 18) Bearing symbols are only graphical representations of a possible bearing condition. Bearing symbols are not considered in the structural design of the truss to support the loads indicated.
- 19) Web bracing shown is for lateral support of individual web members only. Refer to BCSI - Guide to Good Practice for Handling, Installing, Restraining & Bracing of Metal Plate Connected Wood Trusses for additional bracing guidelines, including diagonal bracing.
- 20) SEE BCSI-B3 SUMMARY SHEET- PERMANENT RESTRAINING/BRACING OF CHORDS & WEB MEMBERS FOR RECOMMENDED MINIMUM BRACING REQUIREMENTS OF TOP CHORD, BOTTOM CHORD, AND WEB PLANES. IN ADDITION TO THESE MINIMUM GUIDELINES, ALWAYS CONSULT THE PROJECT ARCHITECT OR ENGINEER FOR ADDITIONAL BRACING CONSIDERATIONS.

LOAD CASE(S) Standard

- 1) Dead + Snow (balanced): Lumber Increase=1.15, Plate Increase=1.15
 - Uniform Loads (plf)
 - Vert: 1-6=-60, 6-8=-60, 2-9=-20
 - Concentrated Loads (lb)
 - Vert: 11=-1408(B) 31=-1408(B) 32=-1408(B) 33=-1408(B) 34=-1408(B) 35=-1408(B) 36=-1408(B) 37=-1408(B) 38=-1408(B) 39=-1517(B)

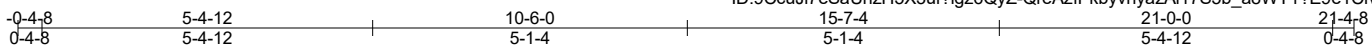


9/30/2021

Warning!—Verify design parameters and read notes before use. This design is based only upon parameters shown, and is for an individual building component to be installed and loaded vertically. Applicability of design parameters and proper incorporation of component is responsibility of building designer – not truss designer or truss engineer. Bracing shown is for lateral support of individual web members only. Additional temporary bracing to ensure stability during construction is the responsibility of the erector. Additional permanent bracing of the overall structure is the responsibility of the building designer. For general guidance regarding fabrication, quality control, storage, delivery, erection and bracing, consult ANSI/TPI 1 *National Design Standard for Metal Plate Connected Wood Truss Construction* and BCSI 1-03 *Guide to Good Practice for Handling, Installing & Bracing of Metal Plate Connected Wood Trusses* from Truss Plate Institute, 583 D'Onofrio Drive, Madison, WI 53719.

Job 21-5648-R01	Truss R06	Truss Type Common	Qty 1	Ply 1	49786-0198 WOODGROVE FUQUAY VARINA, NC
					Job Reference (optional) # 28752

8.430 s Feb 12 2021 MiTek Industries, Inc. Fri Oct 1 13:55:19 2021 Page 1
ID:9CcuJl7eSaUnzH5X3uf?lgz6QyZ-QreAzfPkbyvhyazAl17S5b_a8WY1?E9e1CfvCAyXn3s



Scale = 1:37.5

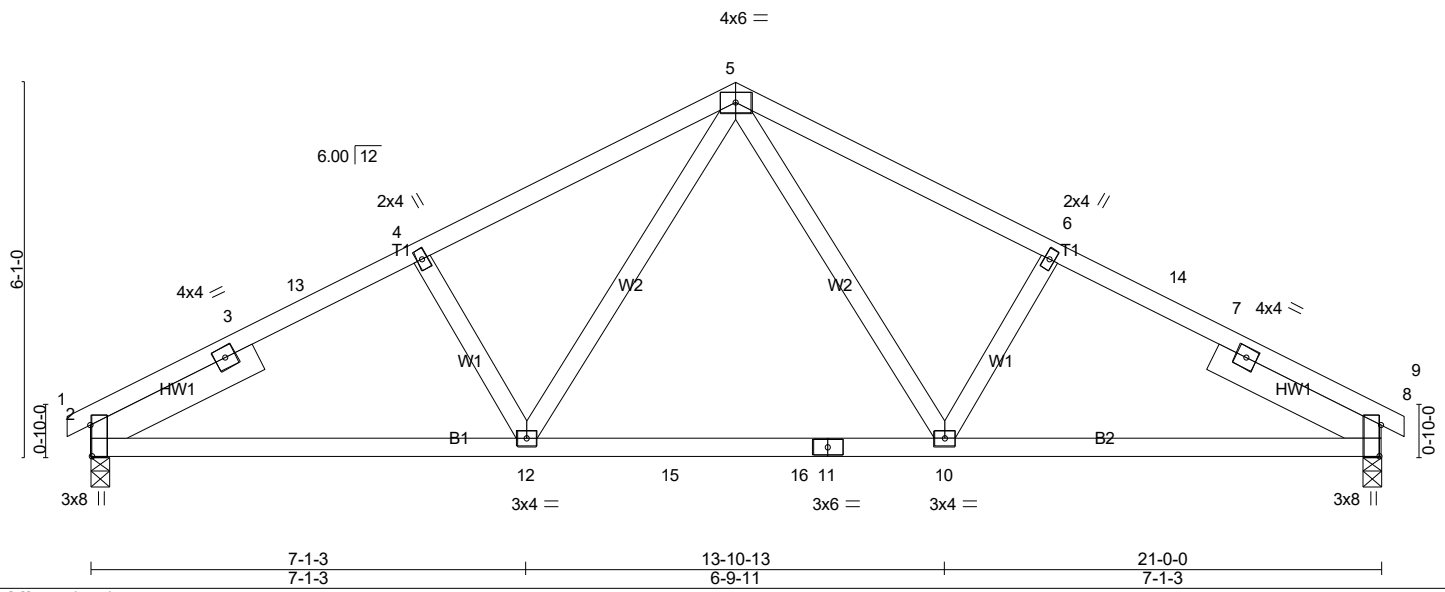


Plate Offsets (X,Y)-- [2:0-6-1,Edge], [8:0-6-1,Edge]											
LOADING (psf)		SPACING-	2-0-0	CSI.		DEFL.	in (loc)	l/defl	L/d	PLATES	GRIP
TCLL (roof)	20.0	Plate Grip DOL	1.15	TC	0.62	Vert(LL)	-0.12 10-12	>999	240	MT20	244/190
Snow (Pf)	20.0	Lumber DOL	1.15	BC	0.54	Vert(CT)	-0.18 10-12	>999	180		
TCDL	10.0	Rep Stress Incr	YES	WB	0.19	Horz(CT)	0.03 8	n/a	n/a		
BCLL	0.0 *	Code IRC2018/TPI2014		Matrix-SH							
BCDL	10.0										Weight: 111 lb FT = 20%

LUMBER-	BRACING-
TOP CHORD 2x4 SP No.2	TOP CHORD Structural wood sheathing directly applied or 3-10-7 oc purlins.
BOT CHORD 2x4 SP No.2	BOT CHORD Rigid ceiling directly applied or 10-0-0 oc bracing.
WEBS 2x4 SP No.3	
SLIDER Left 2x6 SP No.2 - 3-0-8, Right 2x6 SP No.2 - 3-0-8	MiTek recommends that Stabilizers and required cross bracing be installed during truss erection, in accordance with Stabilizer Installation guide.

REACTIONS. (lb/size) 2=863/0-3-8 (min. 0-1-8), 8=863/0-3-8 (min. 0-1-8)
 Max Horz 2=-65(LC 15)
 Max Uplift 2=-44(LC 14), 8=-44(LC 15)
 Max Grav 2=897(LC 21), 8=897(LC 22)

FORCES. (lb) - Max. Comp./Max. Ten. - All forces 250 (lb) or less except when shown.
 TOP CHORD 2-3=-1390/225, 3-13=-1307/230, 4-13=-1248/241, 4-5=-1219/258, 5-6=-1219/258,
 6-14=-1248/241, 7-14=-1307/230, 7-8=-1390/225
 BOT CHORD 2-12=-139/1140, 12-15=-29/771, 15-16=-29/771, 11-16=-29/771, 10-11=-29/771,
 8-10=-139/1140
 WEBS 5-10=-73/461, 6-10=-305/149, 5-12=-73/461, 4-12=-305/149

- NOTES-** (10-13)
- Unbalanced roof live loads have been considered for this design.
 - Wind: ASCE 7-16; Vult=115mph (3-second gust) Vasd=91mph; TCCL=5.0psf; BCDL=5.0psf; h=22ft; Cat. II; Exp B; Enclosed; MWFRS (envelope) gable end zone and C-C Corner(3E) 0-4-8 to 3-7-2, Exterior(2N) 3-7-2 to 6-6-6, Corner(3R) 6-6-6 to 14-5-10, Exterior(2N) 14-5-10 to 17-4-14, Corner(3E) 17-4-14 to 21-4-8 zone; C-C for members and forces & MWFRS for reactions shown; Lumber DOL=1.60 plate grip DOL=1.60
 - TCLL: ASCE 7-16; Pr=20.0 psf (roof LL: Lum DOL=1.15 Plate DOL=1.15); Pf=20.0 psf (Lum DOL=1.15 Plate DOL=1.15); Is=1.0; Rough Cat B; Partially Exp.; Ce=1.0; Cs=1.00; Ct=1.10
 - Unbalanced snow loads have been considered for this design.
 - This truss has been designed for greater of min roof live load of 12.0 psf or 2.00 times flat roof load of 20.0 psf on overhangs non-concurrent with other live loads.
 - This truss has been designed for a 10.0 psf bottom chord live load nonconcurrent with any other live loads.
 - * This truss has been designed for a live load of 30.0psf on the bottom chord in all areas where a rectangle 3-6-0 tall by 1-0-0 wide will fit between the bottom chord and any other members, with BCDL = 10.0psf.
 - Provide mechanical connection (by others) of truss to bearing plate capable of withstanding 100 lb uplift at joint(s) 2, 8.
 - This truss is designed in accordance with the 2018 International Residential Code sections R502.11.1 and R802.10.2 and referenced standard ANSI/TPI 1.



9/30/2021

Warning!—Verify design parameters and read notes before use. This design is based only upon parameters shown, and is for an individual building component to be installed and loaded vertically. Applicability of design parameters and proper incorporation of component is responsibility of building designer – not truss designer or truss engineer. Bracing shown is for lateral support of individual web members only. Additional temporary bracing to ensure stability during construction is the responsibility of the erector. Additional permanent bracing of the overall structure is the responsibility of the building designer. For general guidance regarding fabrication, quality control, storage, delivery, erection and bracing, consult ANSI/TPI 1 *National Design Standard for Metal Plate Connected Wood Truss Construction* and BCSI 1-03 *Guide to Good Practice for Handling, Installing & Bracing of Metal Plate Connected Wood Trusses* from Truss Plate Institute, 583 D'Onofrio Drive, Madison, WI 53719.

Job	Truss	Truss Type	Qty	Ply	49786-0198 WOODGROVE FUQUAY VARINA, NC
21-5648-R01	R06	Common	1	1	Job Reference (optional) # 28752

8.430 s Feb 12 2021 MiTek Industries, Inc. Fri Oct 1 13:55:19 2021 Page 2
 ID:9CcuJl7eSaUnzH5X3uf?lgz6QyZ-QreAzfPkbyvhyazAl17S5b_a8WY1?E9e1CivCAyXn3s

- 10) Graphical bracing representation does not depict the size, type or the orientation of the brace on the member. Symbol only indicates that the member must be braced.
- 11) Bearing symbols are only graphical representations of a possible bearing condition. Bearing symbols are not considered in the structural design of the truss to support the loads indicated.
- 12) Web bracing shown is for lateral support of individual web members only. Refer to BCSI - Guide to Good Practice for Handling, Installing, Restraining & Bracing of Metal Plate Connected Wood Trusses for additional bracing guidelines, including diagonal bracing.
- 13) SEE BCSI-B3 SUMMARY SHEET- PERMANENT RESTRAING/BRACING OF CHORDS & WEB MEMBERS FOR RECOMMENDED MINIMUM BRACING REQUIREMENTS OF TOP CHORD, BOTTOM CHORD, AND WEB PLANES. IN ADDITION TO THESE MINIMUM GUIDELINES, ALWAYS CONSULT THE PROJECT ARCHITECT OR ENGINEER FOR ADDITIONAL BRACING CONSIDERATIONS.

LOAD CASE(S) Standard



9/30/2021

Warning !—Verify design parameters and read notes before use. This design is based only upon parameters shown, and is for an individual building component to be installed and loaded vertically. Applicability of design parameters and proper incorporation of component is responsibility of building designer – not truss designer or truss engineer. Bracing shown is for lateral support of individual web members only. Additional temporary bracing to ensure stability during construction is the responsibility of the erector. Additional permanent bracing of the overall structure is the responsibility of the building designer. For general guidance regarding fabrication, quality control, storage, delivery, erection and bracing, consult ANSI/TPI 1 *National Design Standard for Metal Plate Connected Wood Truss Construction* and BCSI 1-03 *Guide to Good Practice for Handling, Installing & Bracing of Metal Plate Connected Wood Trusses* from Truss Plate Institute, 583 D'Onofrio Drive, Madison, WI 53719.

Job 21-5648-R01	Truss R07	Truss Type GABLE	Qty 1	Ply 1	49786-0198 WOODGROVE FUQUAY VARINA, NC
					Job Reference (optional) # 28752

8.430 s Feb 12 2021 MiTek Industries, Inc. Fri Oct 1 13:55:21 2021 Page 1
ID:9CcuJI7eSaUnzH5X3uf?lgz6QyZ-MEmxNLQ_7ZA0Bu6ZtSAwA033RjLxT9ZxUW80H3yXn3q

-0-4.8 10-6-0 21-0-0 21-4.8
0-4.8 10-6-0 10-6-0 0-4.8

Scale = 1:38.4

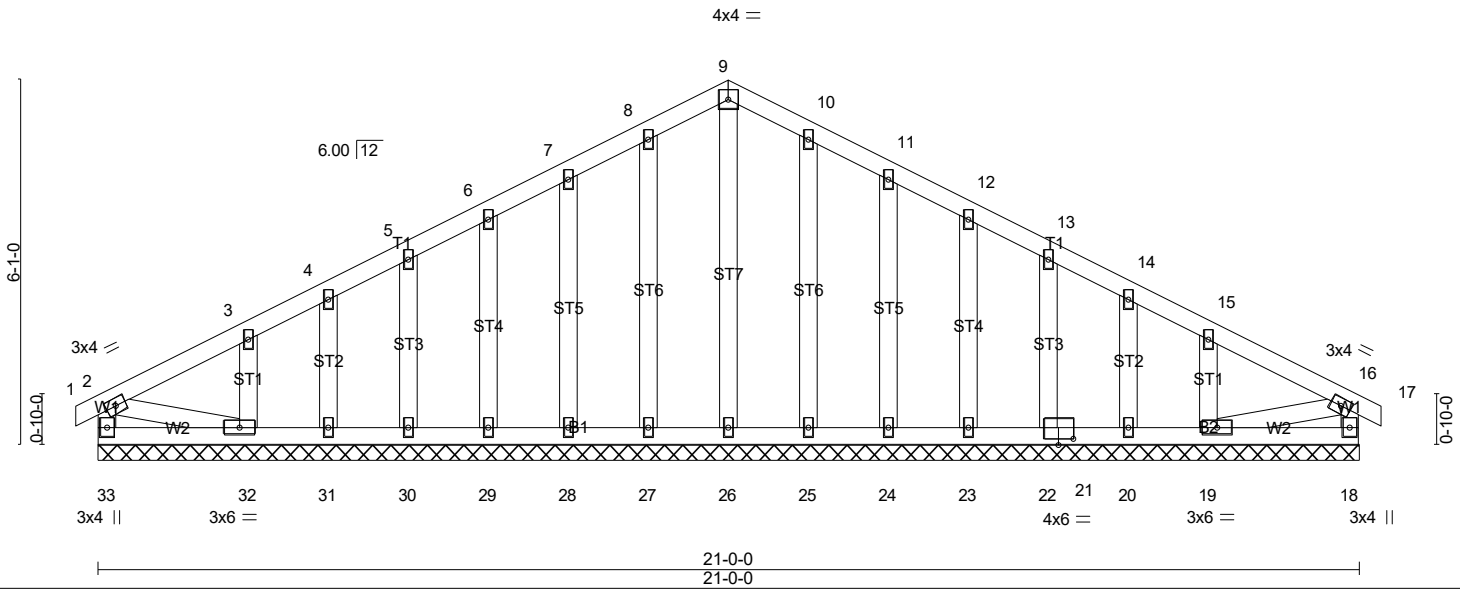


Plate Offsets (X,Y)-- [21:0-3-0,0-1-4]

LOADING (psf)	SPACING-	2-0-0	CSI.	DEFL.	in (loc)	l/defl	L/d	PLATES	GRIP
TCLL (roof) 20.0	Plate Grip DOL 1.15		TC 0.06	Vert(LL) 0.00	16	n/r	180	MT20	244/190
Snow (Pf) 20.0	Lumber DOL 1.15		BC 0.07	Vert(CT) 0.00	16	n/r	80		
TCDL 10.0	Rep Stress Incr YES		WB 0.07	Horz(CT) 0.00	19	n/a	n/a		
BCLL 0.0 *	Code IRC2018/TPI2014		Matrix-SH						
BCDL 10.0								Weight: 140 lb	FT = 20%

LUMBER-
TOP CHORD 2x4 SP No.2
BOT CHORD 2x4 SP No.3
WEBS 2x4 SP No.3
OTHERS 2x4 SP No.3

BRACING-
TOP CHORD Structural wood sheathing directly applied or 6-0-0 oc purlins, except end verticals.
BOT CHORD Rigid ceiling directly applied or 10-0-0 oc bracing.

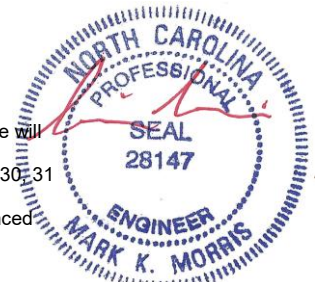
MiTek recommends that Stabilizers and required cross bracing be installed during truss erection, in accordance with Stabilizer Installation guide.

REACTIONS. All bearings 21-0-0.
(lb) - Max Horz 33=-65(LC 15)
Max Uplift All uplift 100 lb or less at joint(s) 33, 27, 28, 29, 30, 31, 32, 25, 24, 23, 22, 20, 19
Max Grav All reactions 250 lb or less at joint(s) 33, 18, 26, 27, 28, 29, 30, 31, 32, 25, 24, 23, 22, 20, 19

FORCES. (lb) - Max. Comp./Max. Ten. - All forces 250 (lb) or less except when shown.

NOTES- (15-18)

- Unbalanced roof live loads have been considered for this design.
- Wind: ASCE 7-16; Vult=115mph (3-second gust) Vasd=91mph; TCCL=5.0psf; BCDL=5.0psf; h=22ft; Cat. II; Exp B; Enclosed; MWFRS (envelope) gable end zone and C-C Corner(3E) -0-4-8 to 3-10-0, Exterior(2N) 3-10-0 to 6-6-0, Corner(3R) 6-6-0 to 14-6-0, Exterior(2N) 14-6-0 to 17-2-0, Corner(3E) 17-2-0 to 21-4-8 zone; C-C for members and forces & MWFRS for reactions shown; Lumber DOL=1.60 plate grip DOL=1.60
- Truss designed for wind loads in the plane of the truss only. For studs exposed to wind (normal to the face), see Standard Industry Gable End Details as applicable, or consult qualified building designer as per ANSI/TPI 1.
- TCLL: ASCE 7-16; Pr=20.0 psf (roof LL: Lum DOL=1.15 Plate DOL=1.15); Pf=20.0 psf (Lum DOL=1.15 Plate DOL=1.15); Is=1.0; Rough Cat B; Partially Exp.; Ce=1.0; Cs=1.00; Ct=1.10
- Unbalanced snow loads have been considered for this design.
- This truss has been designed for greater of min roof live load of 12.0 psf or 2.00 times flat roof load of 20.0 psf on overhangs non-concurrent with other live loads.
- All plates are 2x4 MT20 unless otherwise indicated.
- Gable requires continuous bottom chord bearing.
- Truss to be fully sheathed from one face or securely braced against lateral movement (i.e. diagonal web).
- Gable studs spaced at 1-4-0 oc.
- This truss has been designed for a 10.0 psf bottom chord live load nonconcurrent with any other live loads.
- * This truss has been designed for a live load of 30.0psf on the bottom chord in all areas where a rectangle 3-6-0 tall by 1-0-0 wide will fit between the bottom chord and any other members, with BCDL = 10.0psf.
- Provide mechanical connection (by others) of truss to bearing plate capable of withstanding 100 lb uplift at joint(s) 33, 27, 28, 29, 30, 31, 32, 25, 24, 23, 22, 20, 19.
- This truss is designed in accordance with the 2018 International Residential Code sections R502.11.1 and R802.10.2 and referenced standard ANSI/TPI 1.



9/30/2021

Warning!—Verify design parameters and read notes before use. This design is based only upon parameters shown, and is for an individual building component to be installed and loaded vertically. Applicability of design parameters and proper incorporation of component is responsibility of building designer – not truss designer or truss engineer. Bracing shown is for lateral support of individual web members only. Additional temporary bracing to ensure stability during construction is the responsibility of the erector. Additional permanent bracing of the overall structure is the responsibility of the building designer. For general guidance regarding fabrication, quality control, storage, delivery, erection and bracing, consult ANSI/TPI 1 *National Design Standard for Metal Plate Connected Wood Truss Construction* and BCSI 1-03 *Guide to Good Practice for Handling, Installing & Bracing of Metal Plate Connected Wood Trusses* from Truss Plate Institute, 583 D'Onofrio Drive, Madison, WI 53719.

Job	Truss	Truss Type	Qty	Ply	49786-0198 WOODGROVE FUQUAY VARINA, NC
21-5648-R01	R07	GABLE	1	1	Job Reference (optional) # 28752

8.430 s Feb 12 2021 MiTek Industries, Inc. Fri Oct 1 13:55:22 2021 Page 2
 ID:9CcuJl7eSaUnzH5X3uf?lgz6QyZ-qQKJbhRcttlFp1hlR9h9jDcEBjhACcp4jAtZpVyXn3p

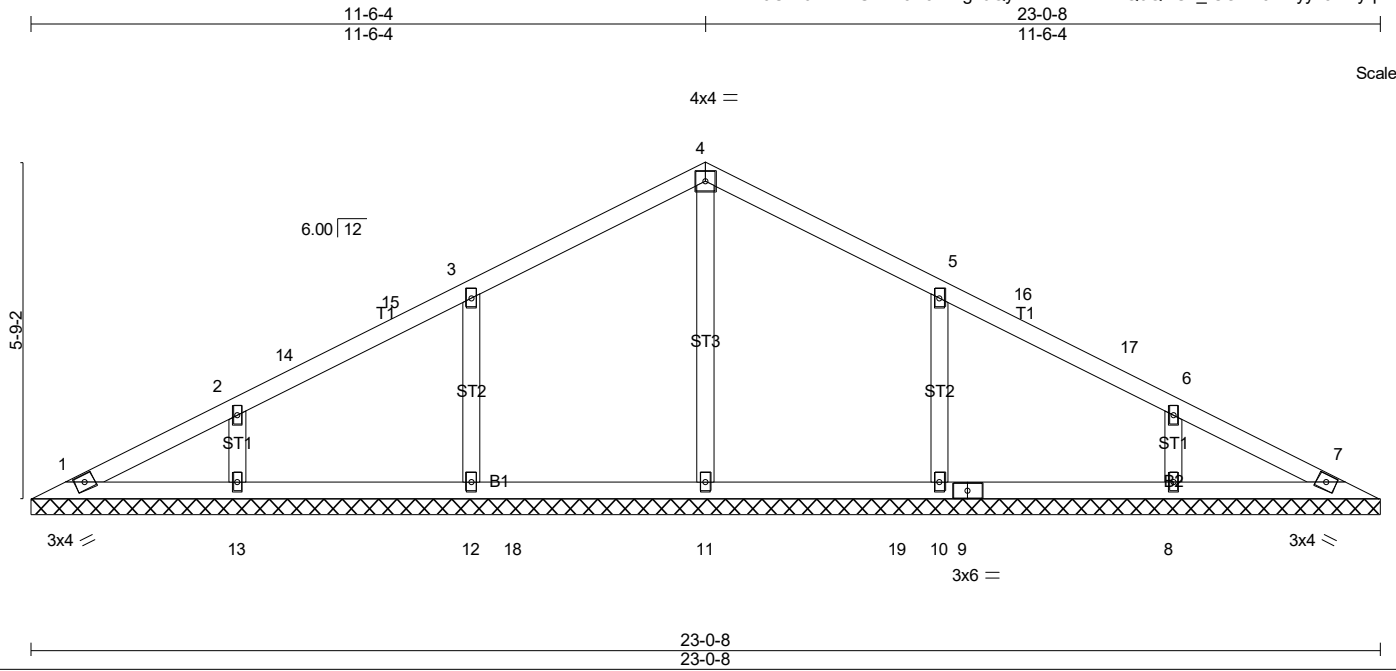
- 15) Graphical bracing representation does not depict the size, type or the orientation of the brace on the member. Symbol only indicates that the member must be braced.
- 16) Bearing symbols are only graphical representations of a possible bearing condition. Bearing symbols are not considered in the structural design of the truss to support the loads indicated.
- 17) Web bracing shown is for lateral support of individual web members only. Refer to BCSI - Guide to Good Practice for Handling, Installing, Restraining & Bracing of Metal Plate Connected Wood Trusses for additional bracing guidelines, including diagonal bracing.
- 18) SEE BCSI-B3 SUMMARY SHEET- PERMANENT RESTRAING/BRACING OF CHORDS & WEB MEMBERS FOR RECOMMENDED MINIMUM BRACING REQUIREMENTS OF TOP CHORD, BOTTOM CHORD, AND WEB PLANES. IN ADDITION TO THESE MINIMUM GUIDELINES, ALWAYS CONSULT THE PROJECT ARCHITECT OR ENGINEER FOR ADDITIONAL BRACING CONSIDERATIONS.

LOAD CASE(S) Standard



9/30/2021

Warning !—Verify design parameters and read notes before use. This design is based only upon parameters shown, and is for an individual building component to be installed and loaded vertically. Applicability of design parameters and proper incorporation of component is responsibility of building designer – not truss designer or truss engineer. Bracing shown is for lateral support of individual web members only. Additional temporary bracing to ensure stability during construction is the responsibility of the erector. Additional permanent bracing of the overall structure is the responsibility of the building designer. For general guidance regarding fabrication, quality control, storage, delivery, erection and bracing, consult ANSI/TPI 1 *National Design Standard for Metal Plate Connected Wood Truss Construction* and BCSI 1-03 *Guide to Good Practice for Handling, Installing & Bracing of Metal Plate Connected Wood Trusses* from Truss Plate Institute, 583 D'Onofrio Drive, Madison, WI 53719.



Scale = 1:39.4

LOADING (psf)		SPACING-		CSI.		DEFL.		PLATES	GRIP
TCLL (roof)	20.0	Plate Grip DOL	1.15	TC	0.29	Vert(LL)	n/a - n/a	MT20	244/190
Snow (Pf)	20.0	Lumber DOL	1.15	BC	0.42	Vert(CT)	n/a - n/a		
TCDL	10.0	Rep Stress Incr	YES	WB	0.12	Horz(CT)	0.00 7 n/a n/a		
BCLL	0.0 *	Code IRC2018/TPI2014		Matrix-SH					
BCDL	10.0							Weight: 91 lb	FT = 20%

LUMBER-
TOP CHORD 2x4 SP No.2
BOT CHORD 2x4 SP No.3
OTHERS 2x4 SP No.3

BRACING-
TOP CHORD
BOT CHORD

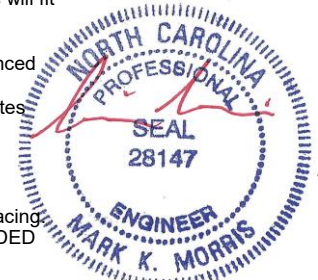
Structural wood sheathing directly applied or 6-0-0 oc purlins.
Rigid ceiling directly applied or 10-0-0 oc bracing.

MiTek recommends that Stabilizers and required cross bracing be installed during truss erection, in accordance with Stabilizer Installation guide.

REACTIONS. All bearings 23-0-8.
(lb) - Max Horz 1=66(LC 14)
Max Uplift All uplift 100 lb or less at joint(s) 1, 12, 13, 10, 8
Max Grav All reactions 250 lb or less at joint(s) 1, 7 except 11=449(LC 6), 12=459(LC 20), 13=302(LC 1), 10=459(LC 21), 8=302(LC 1)

FORCES. (lb) - Max. Comp./Max. Ten. - All forces 250 (lb) or less except when shown.
WEBS 3-12=-379/124, 5-10=-379/124

- NOTES-** (11-14)
- 1) Unbalanced roof live loads have been considered for this design.
 - 2) Wind: ASCE 7-16; Vult=115mph (3-second gust) Vasd=91mph; TCDL=5.0psf; BCDL=5.0psf; h=23ft; Cat. II; Exp B; Enclosed; MWFRS (envelope) gable end zone and C-C Corner(3E) 0-7-7 to 4-7-0, Exterior(2N) 4-7-0 to 7-6-4, Corner(3R) 7-6-4 to 15-6-4, Exterior(2N) 15-6-4 to 18-5-8, Corner(3E) 18-5-8 to 22-5-1 zone; C-C for members and forces & MWFRS for reactions shown; Lumber DOL=1.60 plate grip DOL=1.60
 - 3) TCLL: ASCE 7-16; Pr=20.0 psf (roof LL: Lum DOL=1.15 Plate DOL=1.15); Pf=20.0 psf (Lum DOL=1.15 Plate DOL=1.15); Is=1.0; Rough Cat B; Partially Exp.; Ce=1.0; Cs=1.00; Ct=1.10
 - 4) Unbalanced snow loads have been considered for this design.
 - 5) All plates are 2x4 MT20 unless otherwise indicated.
 - 6) Gable requires continuous bottom chord bearing.
 - 7) This truss has been designed for a 10.0 psf bottom chord live load nonconcurrent with any other live loads.
 - 8) * This truss has been designed for a live load of 30.0psf on the bottom chord in all areas where a rectangle 3-6-0 tall by 1-0-0 wide will fit between the bottom chord and any other members, with BCDL = 10.0psf.
 - 9) Provide mechanical connection (by others) of truss to bearing plate capable of withstanding 100 lb uplift at joint(s) 1, 12, 13, 10, 8.
 - 10) This truss is designed in accordance with the 2018 International Residential Code sections R502.11.1 and R802.10.2 and referenced standard ANSI/TPI 1.
 - 11) Graphical bracing representation does not depict the size, type or the orientation of the brace on the member. Symbol only indicates that the member must be braced.
 - 12) Bearing symbols are only graphical representations of a possible bearing condition. Bearing symbols are not considered in the structural design of the truss to support the loads indicated.
 - 13) Web bracing shown is for lateral support of individual web members only. Refer to BCSI - Guide to Good Practice for Handling, Installing, Restraining & Bracing of Metal Plate Connected Wood Trusses for additional bracing guidelines, including diagonal bracing.
 - 14) SEE BCSI-B3 SUMMARY SHEET- PERMANENT RESTRAINING/BRACING OF CHORDS & WEB MEMBERS FOR RECOMMENDED MINIMUM BRACING REQUIREMENTS OF TOP CHORD, BOTTOM CHORD, AND WEB PLANES. IN ADDITION TO THESE MINIMUM GUIDELINES, ALWAYS CONSULT THE PROJECT ARCHITECT OR ENGINEER FOR ADDITIONAL BRACING CONSIDERATIONS.

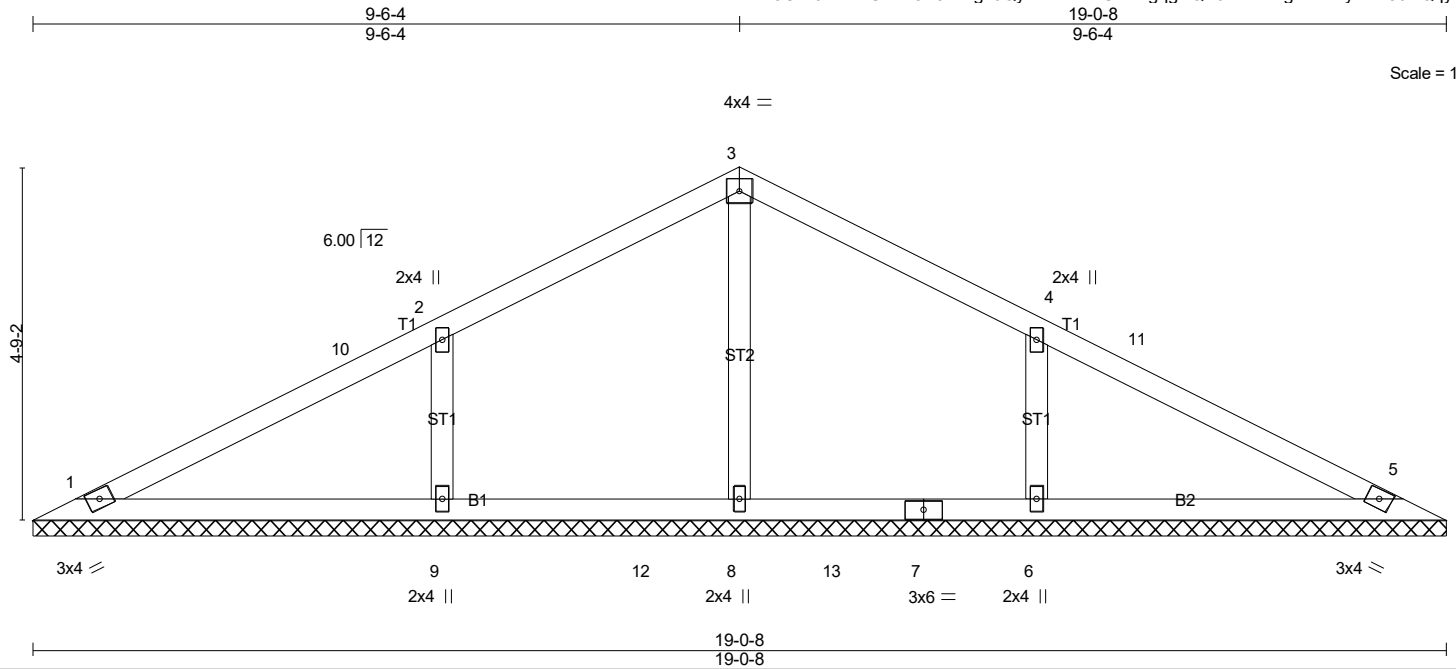


9/30/2021

LOAD CASE(S) Standard parameters and read notes before use. This design is based only upon parameters shown, and is for an individual building component to be installed and loaded vertically. Applicability of design parameters and proper incorporation of component is responsibility of building designer – not truss designer or truss engineer. Bracing shown is for lateral support of individual web members only. Additional temporary bracing to ensure stability during construction is the responsibility of the erector. Additional permanent bracing of the overall structure is the responsibility of the building designer. For general guidance regarding fabrication, quality control, storage, delivery, erection and bracing, consult ANSI/TPI 1 *National Design Standard for Metal Plate Connected Wood Truss Construction* and BCSI I-03 *Guide to Good Practice for Handling, Installing & Bracing of Metal Plate Connected Wood Trusses* from Truss Plate Institute, 583 D'Onofrio Drive, Madison, WI 53719.

Job 21-5648-R01	Truss VT02	Truss Type Valley	Qty 1	Ply 1	49786-0198 WOODGROVE FUQUAY VARINA, NC
Job Reference (optional)					# 28752

8.430 s Feb 12 2021 MiTek Industries, Inc. Fri Oct 1 13:55:25 2021 Page 1
ID:9CcuJl7eSaUnzH5X3uf?lgz6QyZ-F??RDIUVAogqgVQK6lEsKsEgSwf7Py7XP86DQqyXn3m



LOADING (psf)	SPACING-	CSI.	DEFL.	PLATES	GRIP
TCLL (roof) 20.0	2-0-0	TC 0.37	in (loc) l/defl L/d	MT20	244/190
Snow (Pf) 20.0	Plate Grip DOL 1.15	BC 0.31	Vert(LL) n/a - n/a 999		
TCDL 10.0	Lumber DOL 1.15	WB 0.10	Vert(CT) n/a - n/a 999		
BCLL 0.0 *	Rep Stress Incr YES	Matrix-SH	Horz(CT) 0.00 5 n/a n/a		
BCDL 10.0	Code IRC2018/TPI2014			Weight: 71 lb	FT = 20%

LUMBER-
TOP CHORD 2x4 SP No.2
BOT CHORD 2x4 SP No.3
OTHERS 2x4 SP No.3

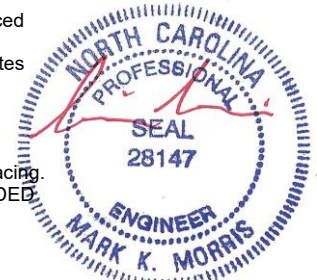
BRACING-
TOP CHORD Structural wood sheathing directly applied or 6-0-0 oc purlins.
BOT CHORD Rigid ceiling directly applied or 10-0-0 oc bracing.

MiTek recommends that Stabilizers and required cross bracing be installed during truss erection, in accordance with Stabilizer Installation guide.

REACTIONS. All bearings 19-0-8.
(lb) - Max Horz 1=-54(LC 15)
Max Uplift All uplift 100 lb or less at joint(s) 1, 5, 9, 6
Max Grav All reactions 250 lb or less at joint(s) 1, 5 except 8=323(LC 6), 9=549(LC 20), 6=549(LC 21)

FORCES. (lb) - Max. Comp./Max. Ten. - All forces 250 (lb) or less except when shown.
WEBS 2-9=-428/143, 4-6=-428/143

- NOTES-** (10-13)
- Unbalanced roof live loads have been considered for this design.
 - Wind: ASCE 7-16; Vult=115mph (3-second gust) Vasd=91mph; TC DL=5.0psf; BCDL=5.0psf; h=24ft; Cat. II; Exp B; Enclosed; MWFRS (envelope) gable end zone and C-C Exterior(2E) 0-7-7 to 4-7-0, Interior(1) 4-7-0 to 5-6-4, Exterior(2R) 5-6-4 to 13-6-4, Interior(1) 13-6-4 to 14-5-8, Exterior(2E) 14-5-8 to 18-5-1 zone; C-C for members and forces & MWFRS for reactions shown; Lumber DOL=1.60 plate grip DOL=1.60
 - TCLL: ASCE 7-16; Pr=20.0 psf (roof LL: Lum DOL=1.15 Plate DOL=1.15); Pf=20.0 psf (Lum DOL=1.15 Plate DOL=1.15); Is=1.0; Rough Cat B; Partially Exp.; Ce=1.0; Cs=1.00; Ct=1.10
 - Unbalanced snow loads have been considered for this design.
 - Gable requires continuous bottom chord bearing.
 - This truss has been designed for a 10.0 psf bottom chord live load nonconcurrent with any other live loads.
 - * This truss has been designed for a live load of 30.0psf on the bottom chord in all areas where a rectangle 3-6-0 tall by 1-0-0 wide will fit between the bottom chord and any other members, with BCDL = 10.0psf.
 - Provide mechanical connection (by others) of truss to bearing plate capable of withstanding 100 lb uplift at joint(s) 1, 5, 9, 6.
 - This truss is designed in accordance with the 2018 International Residential Code sections R502.11.1 and R802.10.2 and referenced standard ANSI/TPI 1.
 - Graphical bracing representation does not depict the size, type or the orientation of the brace on the member. Symbol only indicates that the member must be braced.
 - Bearing symbols are only graphical representations of a possible bearing condition. Bearing symbols are not considered in the structural design of the truss to support the loads indicated.
 - Web bracing shown is for lateral support of individual web members only. Refer to BCSI - Guide to Good Practice for Handling, Installing, Restraining & Bracing of Metal Plate Connected Wood Trusses for additional bracing guidelines, including diagonal bracing.
 - SEE BCSI-B3 SUMMARY SHEET- PERMANENT RESTRAINING/BRACING OF CHORDS & WEB MEMBERS FOR RECOMMENDED MINIMUM BRACING REQUIREMENTS OF TOP CHORD, BOTTOM CHORD, AND WEB PLANES. IN ADDITION TO THESE MINIMUM GUIDELINES, ALWAYS CONSULT THE PROJECT ARCHITECT OR ENGINEER FOR ADDITIONAL BRACING CONSIDERATIONS.



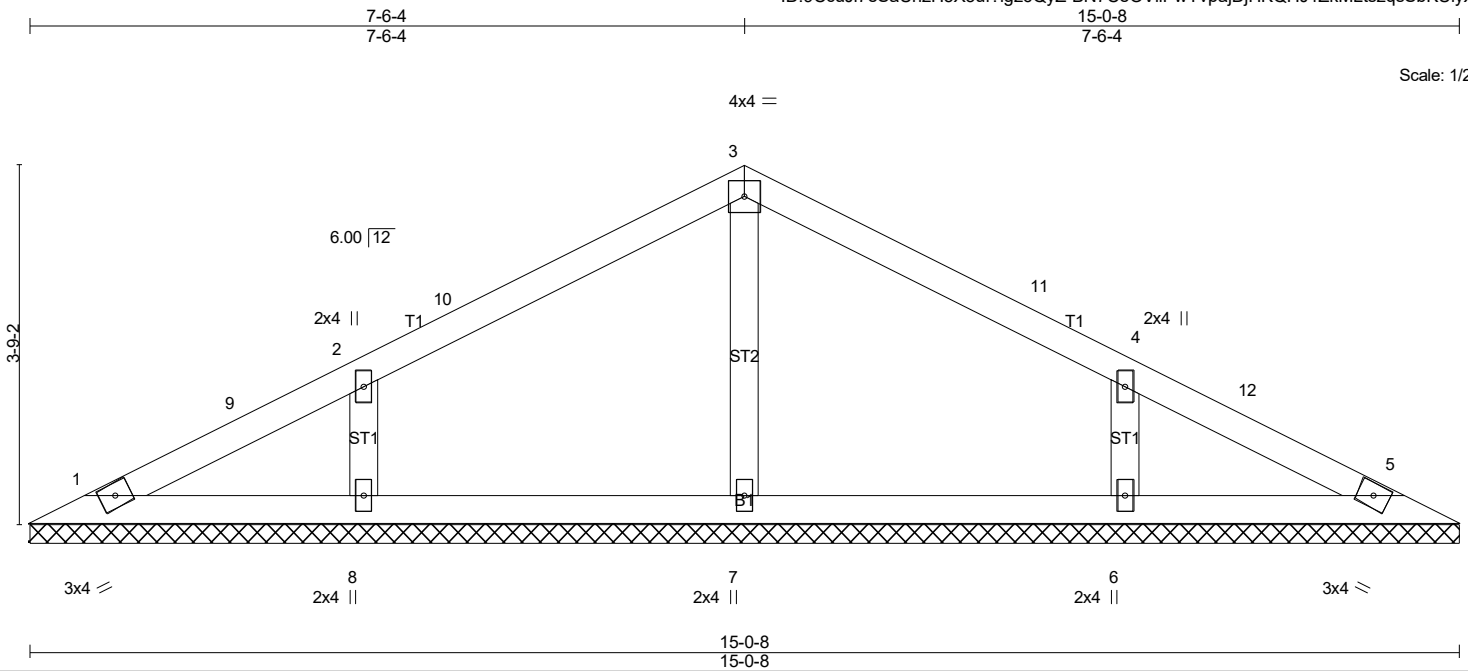
LOAD CASE(S) Standard

9/30/2021

Warning!—Verify design parameters and read notes before use. This design is based only upon parameters shown, and is for an individual building component to be installed and loaded vertically. Applicability of design parameters and proper incorporation of component is responsibility of building designer – not truss designer or truss engineer. Bracing shown is for lateral support of individual web members only. Additional temporary bracing to ensure stability during construction is the responsibility of the erector. Additional permanent bracing of the overall structure is the responsibility of the building designer. For general guidance regarding fabrication, quality control, storage, delivery, erection and bracing, consult ANSI/TPI 1 *National Design Standard for Metal Plate Connected Wood Truss Construction* and BCSI 1-03 *Guide to Good Practice for Handling, Installing & Bracing of Metal Plate Connected Wood Trusses* from Truss Plate Institute, 583 D'Onofrio Drive, Madison, WI 53719.

Job 21-5648-R01	Truss VT03	Truss Type Valley	Qty 1	Ply 1	49786-0198 WOODGROVE FUQUAY VARINA, NC
Job Reference (optional)					# 28752

8.430 s Feb 12 2021 MiTek Industries, Inc. Fri Oct 1 13:55:27 2021 Page 1
 ID:9CcuJI7eSaUnzH5X3uf?lgz6QyZ-BN7CeOViiPwYypajDjHKQHJ1ZkMLtszqsSbKUiyXn3k



LOADING (psf)	SPACING-	CSI.	DEFL.	PLATES	GRIP
TCLL (roof) 20.0	2-0-0	TC 0.27	in (loc) l/defl L/d	MT20	244/190
Snow (Pf) 20.0	Plate Grip DOL 1.15	BC 0.19	Vert(LL) n/a - n/a 999		
TCDL 10.0	Lumber DOL 1.15	WB 0.07	Vert(CT) n/a - n/a 999		
BCLL 0.0 *	Rep Stress Incr YES	Matrix-SH	Horz(CT) 0.00 5 n/a n/a		
BCDL 10.0	Code IRC2018/TPI2014			Weight: 54 lb	FT = 20%

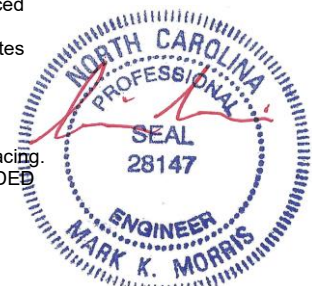
LUMBER-	BRACING-
TOP CHORD 2x4 SP No.2	TOP CHORD
BOT CHORD 2x4 SP No.3	BOT CHORD
OTHERS 2x4 SP No.3	Structural wood sheathing directly applied or 6-0-0 oc purlins. Rigid ceiling directly applied or 10-0-0 oc bracing.

MiTek recommends that Stabilizers and required cross bracing be installed during truss erection, in accordance with Stabilizer Installation guide.

REACTIONS. All bearings 15-0-8.
 (lb) - Max Horz 1=-42(LC 15)
 Max Uplift All uplift 100 lb or less at joint(s) 1, 8, 6
 Max Grav All reactions 250 lb or less at joint(s) 1, 5 except 7=291(LC 21), 8=443(LC 20), 6=443(LC 21)

FORCES. (lb) - Max. Comp./Max. Ten. - All forces 250 (lb) or less except when shown.
 WEBS 2-8=-366/137, 4-6=-366/137

- NOTES-** (10-13)
- Unbalanced roof live loads have been considered for this design.
 - Wind: ASCE 7-16; Vult=115mph (3-second gust) Vasd=91mph; TC DL=5.0psf; BCDL=5.0psf; h=24ft; Cat. II; Exp B; Enclosed; MWFRS (envelope) gable end zone and C-C Exterior(2E) 0-7-7 to 4-7-0, Exterior(2R) 4-7-0 to 10-5-8, Exterior(2E) 10-5-8 to 14-5-1 zone; C-C for members and forces & MWFRS for reactions shown; Lumber DOL=1.60 plate grip DOL=1.60
 - TCLL: ASCE 7-16; Pr=20.0 psf (roof LL: Lum DOL=1.15 Plate DOL=1.15); Pf=20.0 psf (Lum DOL=1.15 Plate DOL=1.15); Is=1.0; Rough Cat B; Partially Exp.; Ce=1.0; Cs=1.00; Ct=1.10
 - Unbalanced snow loads have been considered for this design.
 - Gable requires continuous bottom chord bearing.
 - This truss has been designed for a 10.0 psf bottom chord live load nonconcurrent with any other live loads.
 - * This truss has been designed for a live load of 30.0psf on the bottom chord in all areas where a rectangle 3-6-0 tall by 1-0-0 wide will fit between the bottom chord and any other members.
 - Provide mechanical connection (by others) of truss to bearing plate capable of withstanding 100 lb uplift at joint(s) 1, 8, 6.
 - This truss is designed in accordance with the 2018 International Residential Code sections R502.11.1 and R802.10.2 and referenced standard ANSI/TPI 1.
 - Graphical bracing representation does not depict the size, type or the orientation of the brace on the member. Symbol only indicates that the member must be braced.
 - Bearing symbols are only graphical representations of a possible bearing condition. Bearing symbols are not considered in the structural design of the truss to support the loads indicated.
 - Web bracing shown is for lateral support of individual web members only. Refer to BCSI - Guide to Good Practice for Handling, Installing, Restraining & Bracing of Metal Plate Connected Wood Trusses for additional bracing guidelines, including diagonal bracing.
 - SEE BCSI-B3 SUMMARY SHEET- PERMANENT RESTRAINING/BRACING OF CHORDS & WEB MEMBERS FOR RECOMMENDED MINIMUM BRACING REQUIREMENTS OF TOP CHORD, BOTTOM CHORD, AND WEB PLANES. IN ADDITION TO THESE MINIMUM GUIDELINES, ALWAYS CONSULT THE PROJECT ARCHITECT OR ENGINEER FOR ADDITIONAL BRACING CONSIDERATIONS.



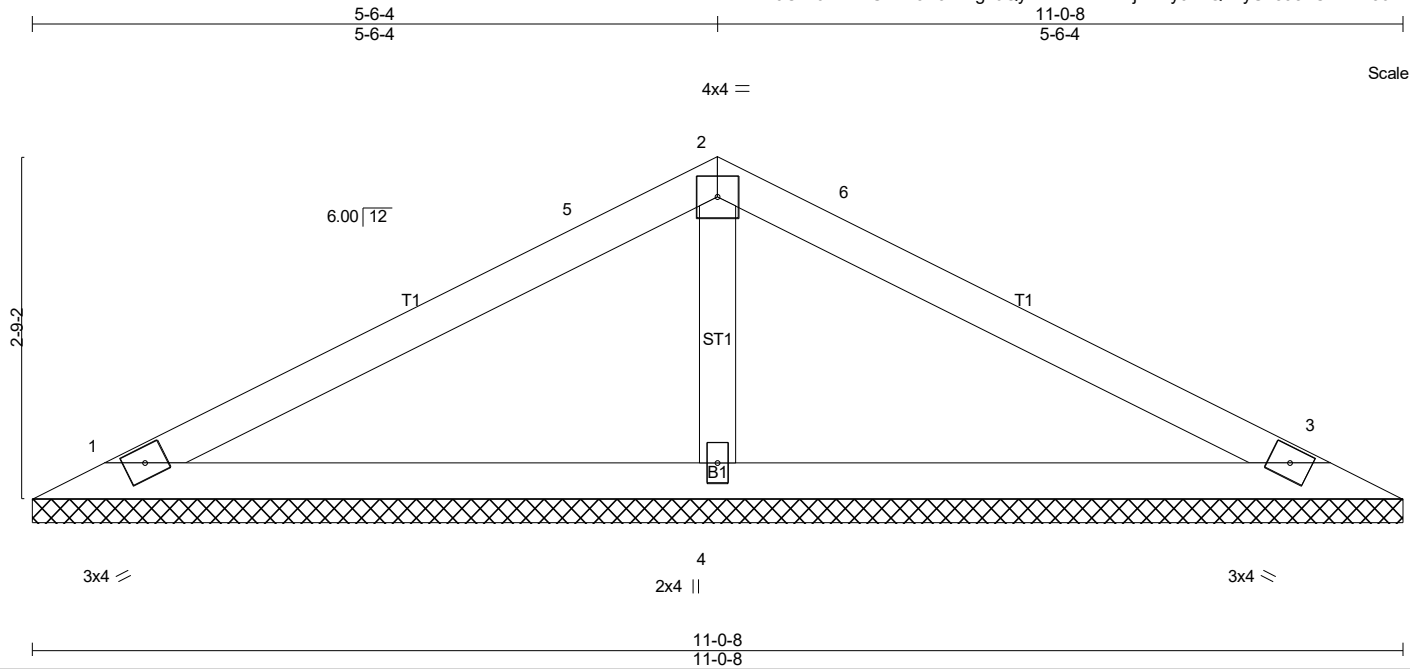
LOAD CASE(S) Standard

9/30/2021

Warning!—Verify design parameters and read notes before use. This design is based only upon parameters shown, and is for an individual building component to be installed and loaded vertically. Applicability of design parameters and proper incorporation of component is responsibility of building designer – not truss designer or truss engineer. Bracing shown is for lateral support of individual web members only. Additional temporary bracing to ensure stability during construction is the responsibility of the erector. Additional permanent bracing of the overall structure is the responsibility of the building designer. For general guidance regarding fabrication, quality control, storage, delivery, erection and bracing, consult ANSI/TPI 1 *National Design Standard for Metal Plate Connected Wood Truss Construction* and BCSI 1-03 *Guide to Good Practice for Handling, Installing & Bracing of Metal Plate Connected Wood Trusses* from Truss Plate Institute, 583 D'Onofrio Drive, Madison, WI 53719.

Job 21-5648-R01	Truss VT04	Truss Type Valley	Qty 1	Ply 1	49786-0198 WOODGROVE FUQUAY VARINA, NC
					Job Reference (optional) # 28752

8.430 s Feb 12 2021 MiTek Industries, Inc. Fri Oct 1 13:55:28 2021 Page 1
ID:9CcuJ7eSaUnzH5X3uf?lgz6QyZ-faharkWNTj2PXy9vnQoZyUs898dCcKMz56Ku19yXn3j



Scale = 1:18.6

LOADING (psf)	SPACING-	CSI.	DEFL.	PLATES	GRIP
TCLL (roof) 20.0	2-0-0	TC 0.47	in (loc) l/defl L/d	MT20	244/190
Snow (Pf) 20.0	Plate Grip DOL 1.15	BC 0.54	Vert(LL) n/a - n/a 999		
TCDL 10.0	Lumber DOL 1.15	WB 0.06	Vert(CT) n/a - n/a 999		
BCLL 0.0 *	Rep Stress Incr YES	Matrix-SH	Horz(CT) 0.00 3 n/a n/a		
BCDL 10.0	Code IRC2018/TPI2014			Weight: 36 lb	FT = 20%

LUMBER-
TOP CHORD 2x4 SP No.2
BOT CHORD 2x4 SP No.3
OTHERS 2x4 SP No.3

BRACING-
TOP CHORD
BOT CHORD

Structural wood sheathing directly applied or 6-0-0 oc purlins.
Rigid ceiling directly applied or 10-0-0 oc bracing.

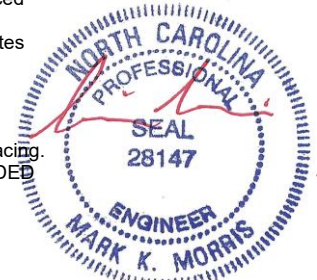
MiTek recommends that Stabilizers and required cross bracing be installed during truss erection, in accordance with Stabilizer Installation guide.

REACTIONS. (lb/size) 1=175/11-0-8 (min. 0-1-8), 3=175/11-0-8 (min. 0-1-8), 4=434/11-0-8 (min. 0-1-8)
Max Horz 1=30(LC 18)
Max Uplift 1=-21(LC 14), 3=-27(LC 15), 4=-5(LC 14)
Max Grav 1=257(LC 20), 3=257(LC 21), 4=447(LC 21)

FORCES. (lb) - Max. Comp./Max. Ten. - All forces 250 (lb) or less except when shown.
WEBS 2-4=-284/116

NOTES- (10-13)

- Unbalanced roof live loads have been considered for this design.
- Wind: ASCE 7-16; Vult=115mph (3-second gust) Vasd=91mph; TCCL=5.0psf; BCDL=5.0psf; h=25ft; Cat. II; Exp B; Enclosed; MWFRS (envelope) gable end zone and C-C Exterior(2E) 0-7-7 to 4-7-0, Exterior(2R) 4-7-0 to 6-5-8, Exterior(2E) 6-5-8 to 10-5-1 zone; C-C for members and forces & MWFRS for reactions shown; Lumber DOL=1.60 plate grip DOL=1.60
- TCLL: ASCE 7-16; Pr=20.0 psf (roof LL: Lum DOL=1.15 Plate DOL=1.15); Pf=20.0 psf (Lum DOL=1.15 Plate DOL=1.15); Is=1.0; Rough Cat B; Partially Exp.; Ce=1.0; Cs=1.00; Ct=1.10
- Unbalanced snow loads have been considered for this design.
- Gable requires continuous bottom chord bearing.
- This truss has been designed for a 10.0 psf bottom chord live load nonconcurrent with any other live loads.
- * This truss has been designed for a live load of 30.0psf on the bottom chord in all areas where a rectangle 3-6-0 tall by 1-0-0 wide will fit between the bottom chord and any other members.
- Provide mechanical connection (by others) of truss to bearing plate capable of withstanding 100 lb uplift at joint(s) 1, 3, 4.
- This truss is designed in accordance with the 2018 International Residential Code sections R502.11.1 and R802.10.2 and referenced standard ANSI/TPI 1.
- Graphical bracing representation does not depict the size, type or the orientation of the brace on the member. Symbol only indicates that the member must be braced.
- Bearing symbols are only graphical representations of a possible bearing condition. Bearing symbols are not considered in the structural design of the truss to support the loads indicated.
- Web bracing shown is for lateral support of individual web members only. Refer to BCSI - Guide to Good Practice for Handling, Installing, Restraining & Bracing of Metal Plate Connected Wood Trusses for additional bracing guidelines, including diagonal bracing.
- SEE BCSI-B3 SUMMARY SHEET- PERMANENT RESTRAINING/BRACING OF CHORDS & WEB MEMBERS FOR RECOMMENDED MINIMUM BRACING REQUIREMENTS OF TOP CHORD, BOTTOM CHORD, AND WEB PLANES. IN ADDITION TO THESE MINIMUM GUIDELINES, ALWAYS CONSULT THE PROJECT ARCHITECT OR ENGINEER FOR ADDITIONAL BRACING CONSIDERATIONS.



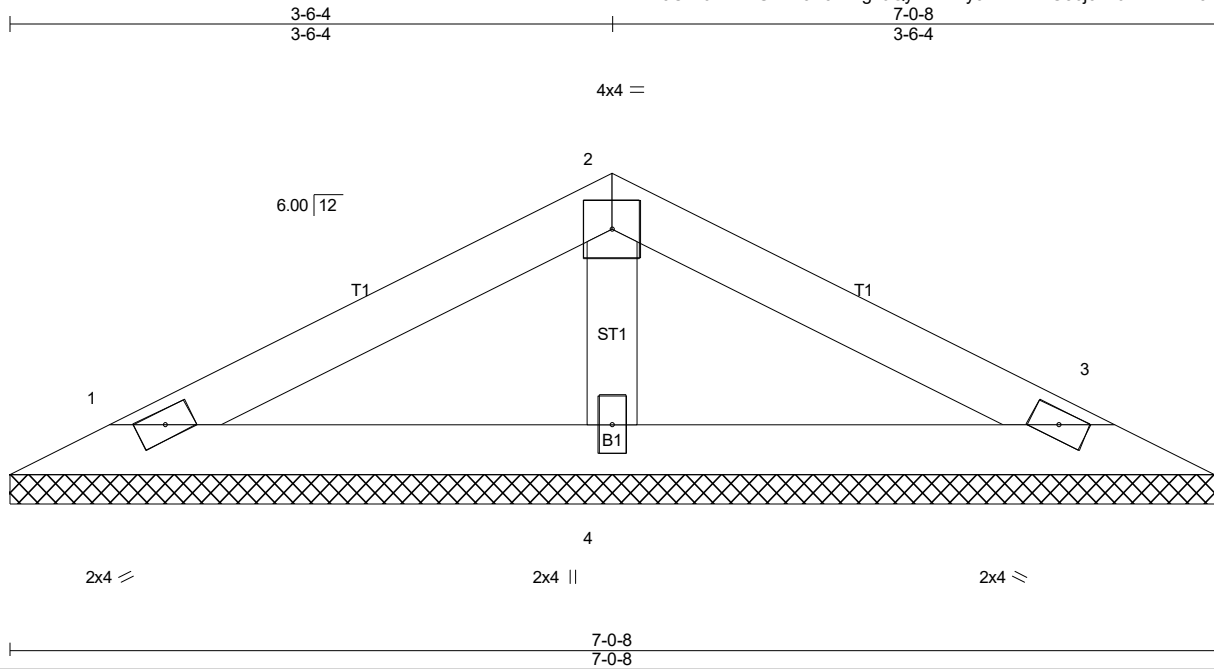
LOAD CASE(S) Standard

9/30/2021

Warning!—Verify design parameters and read notes before use. This design is based only upon parameters shown, and is for an individual building component to be installed and loaded vertically. Applicability of design parameters and proper incorporation of component is responsibility of building designer – not truss designer or truss engineer. Bracing shown is for lateral support of individual web members only. Additional temporary bracing to ensure stability during construction is the responsibility of the erector. Additional permanent bracing of the overall structure is the responsibility of the building designer. For general guidance regarding fabrication, quality control, storage, delivery, erection and bracing, consult ANSI/TPI 1 *National Design Standard for Metal Plate Connected Wood Truss Construction* and BCSI I-03 *Guide to Good Practice for Handling, Installing & Bracing of Metal Plate Connected Wood Trusses* from Truss Plate Institute, 583 D'Onofrio Drive, Madison, WI 53719.

Job 21-5648-R01	Truss VT05	Truss Type Valley	Qty 1	Ply 1	49786-0198 WOODGROVE FUQUAY VARINA, NC
					Job Reference (optional) # 28752

8.430 s Feb 12 2021 MiTek Industries, Inc. Fri Oct 1 13:55:29 2021 Page 1
ID:9CcuJl7eSaUnzH5X3uf?lgz6QyZ-7mFy34X?E1AG86j5L7JoViPNuY3bLn66Km4RZbyXn3i



Scale = 1:13.5

LOADING (psf)	SPACING-	CSI.	DEFL.	PLATES	GRIP
TCLL (roof) 20.0	Plate Grip DOL 1.15	TC 0.22	Vert(LL) n/a	MT20	244/190
Snow (Pf) 20.0	Lumber DOL 1.15	BC 0.14	Vert(CT) n/a		
TCDL 10.0	Rep Stress Incr YES	WB 0.03	Horz(CT) 0.00		
BCLL 0.0 *	Code IRC2018/TPI2014	Matrix-P			
BCDL 10.0				Weight: 22 lb	FT = 20%

LUMBER-
TOP CHORD 2x4 SP No.2
BOT CHORD 2x4 SP No.3
OTHERS 2x4 SP No.3

BRACING-
TOP CHORD
BOT CHORD

Structural wood sheathing directly applied or 6'-0-0 oc purlins.
Rigid ceiling directly applied or 10'-0-0 oc bracing.

MiTek recommends that Stabilizers and required cross bracing be installed during truss erection, in accordance with Stabilizer Installation guide.

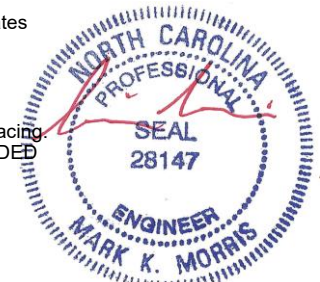
REACTIONS. (lb/size) 1=117/7-0-8 (min. 0-1-8), 3=117/7-0-8 (min. 0-1-8), 4=230/7-0-8 (min. 0-1-8)
Max Horz 1=18(LC 18)
Max Uplift 1=-17(LC 14), 3=-21(LC 15)
Max Grav 1=154(LC 20), 3=154(LC 21), 4=230(LC 1)

FORCES. (lb) - Max. Comp./Max. Ten. - All forces 250 (lb) or less except when shown.

NOTES- (10-13)

- Unbalanced roof live loads have been considered for this design.
- Wind: ASCE 7-16; Vult=115mph (3-second gust) Vasd=91mph; TCDL=5.0psf; BCCL=5.0psf; h=25ft; Cat. II; Exp B; Enclosed; MWFRS (envelope) gable end zone and C-C Exterior(2E) zone; C-C for members and forces & MWFRS for reactions shown; Lumber DOL=1.60 plate grip DOL=1.60
- TCLL: ASCE 7-16; Pr=20.0 psf (roof LL: Lum DOL=1.15 Plate DOL=1.15); Pf=20.0 psf (Lum DOL=1.15 Plate DOL=1.15); Is=1.0; Rough Cat B; Partially Exp.; Ce=1.0; Cs=1.00; Ct=1.10
- Unbalanced snow loads have been considered for this design.
- Gable requires continuous bottom chord bearing.
- This truss has been designed for a 10.0 psf bottom chord live load nonconcurrent with any other live loads.
- * This truss has been designed for a live load of 30.0psf on the bottom chord in all areas where a rectangle 3'-6-0 tall by 1'-0-0 wide will fit between the bottom chord and any other members.
- Provide mechanical connection (by others) of truss to bearing plate capable of withstanding 100 lb uplift at joint(s) 1, 3.
- This truss is designed in accordance with the 2018 International Residential Code sections R502.11.1 and R802.10.2 and referenced standard ANSI/TPI 1.
- Graphical bracing representation does not depict the size, type or the orientation of the brace on the member. Symbol only indicates that the member must be braced.
- Bearing symbols are only graphical representations of a possible bearing condition. Bearing symbols are not considered in the structural design of the truss to support the loads indicated.
- Web bracing shown is for lateral support of individual web members only. Refer to BCSI - Guide to Good Practice for Handling, Installing, Restraining & Bracing of Metal Plate Connected Wood Trusses for additional bracing guidelines, including diagonal bracing.
- SEE BCSI-B3 SUMMARY SHEET- PERMANENT RESTRAINING/BRACING OF CHORDS & WEB MEMBERS FOR RECOMMENDED MINIMUM BRACING REQUIREMENTS OF TOP CHORD, BOTTOM CHORD, AND WEB PLANES. IN ADDITION TO THESE MINIMUM GUIDELINES, ALWAYS CONSULT THE PROJECT ARCHITECT OR ENGINEER FOR ADDITIONAL BRACING CONSIDERATIONS.

LOAD CASE(S) Standard

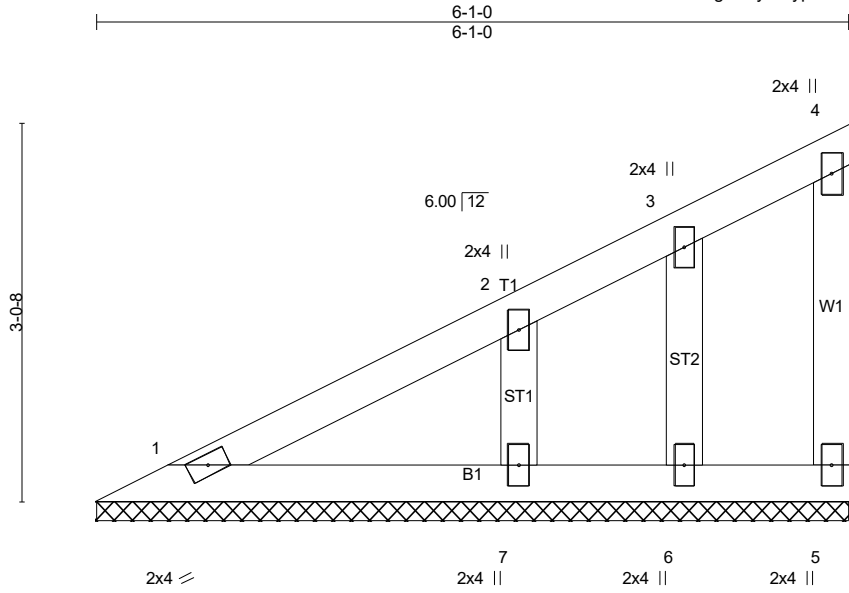


9/30/2021

Warning!—Verify design parameters and read notes before use. This design is based only upon parameters shown, and is for an individual building component to be installed and loaded vertically. Applicability of design parameters and proper incorporation of component is responsibility of building designer – not truss designer or truss engineer. Bracing shown is for lateral support of individual web members only. Additional temporary bracing to ensure stability during construction is the responsibility of the erector. Additional permanent bracing of the overall structure is the responsibility of the building designer. For general guidance regarding fabrication, quality control, storage, delivery, erection and bracing, consult ANSI/TPI 1 *National Design Standard for Metal Plate Connected Wood Truss Construction* and BCSI 1-03 *Guide to Good Practice for Handling, Installing & Bracing of Metal Plate Connected Wood Trusses* from Truss Plate Institute, 583 D'Onofrio Drive, Madison, WI 53719.

Job 21-5648-R01	Truss VT06	Truss Type GABLE	Qty 1	Ply 1	49786-0198 WOODGROVE FUQUAY VARINA, NC	# 28752
--------------------	---------------	---------------------	----------	----------	--	---------

8.430 s Feb 12 2021 MiTek Industries, Inc. Fri Oct 1 13:55:30 2021 Page 1
 ID:9CcuJl7eSaUnzH5X3uf?lgz6QyZ-bypKGQXd?Kl7mGllvrq11vxZWxQX4E0GZQp_51yXn3h



Scale = 1:18.6

LOADING (psf)	SPACING-	CSI.	DEFL.	PLATES	GRIP
TCLL (roof) 20.0	2-0-0	TC 0.16	in (loc) l/defl L/d	MT20	244/190
Snow (Pf) 20.0	Plate Grip DOL 1.15	BC 0.10	Vert(LL) n/a - n/a 999		
TCDL 10.0	Lumber DOL 1.15	WB 0.05	Vert(CT) n/a - n/a 999		
BCLL 0.0 *	Rep Stress Incr YES	Matrix-P	Horz(CT) 0.00 n/a n/a		
BCDL 10.0	Code IRC2018/TPI2014			Weight: 26 lb	FT = 20%

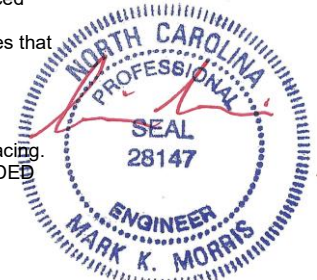
LUMBER-
 TOP CHORD 2x4 SP No.2
 BOT CHORD 2x4 SP No.3
 WEBS 2x4 SP No.3
 OTHERS 2x4 SP No.3

BRACING-
 TOP CHORD Structural wood sheathing directly applied or 6-0-0 oc purlins, except end verticals.
 BOT CHORD Rigid ceiling directly applied or 10-0-0 oc bracing.
 MiTek recommends that Stabilizers and required cross bracing be installed during truss erection, in accordance with Stabilizer Installation guide.

REACTIONS. All bearings 6-1-0.
 (lb) - Max Horz 1=73(LC 14)
 Max Uplift All uplift 100 lb or less at joint(s) 5, 6, 7
 Max Grav All reactions 250 lb or less at joint(s) 1, 5, 6 except 7=322(LC 20)

FORCES. (lb) - Max. Comp./Max. Ten. - All forces 250 (lb) or less except when shown.
 WEBS 2-7=-265/135

- NOTES-** (9-12)
- 1) Wind: ASCE 7-16; Vult=115mph (3-second gust) Vasd=91mph; TCCL=5.0psf; BCDL=5.0psf; h=21ft; Cat. II; Exp B; Enclosed; MWFRS (envelope) gable end zone and C-C Corner(3) 0-7-7 to 4-9-0, Exterior(2R) 4-9-0 to 5-11-4 zone; C-C for members and forces & MWFRS for reactions shown; Lumber DOL=1.60 plate grip DOL=1.60
 - 2) TCLL: ASCE 7-16; Pr=20.0 psf (roof LL: Lum DOL=1.15 Plate DOL=1.15); Pf=20.0 psf (Lum DOL=1.15 Plate DOL=1.15); Is=1.0; Rough Cat B; Partially Exp.; Ce=1.0; Cs=1.00; Ct=1.10
 - 3) Unbalanced snow loads have been considered for this design.
 - 4) Gable requires continuous bottom chord bearing.
 - 5) This truss has been designed for a 10.0 psf bottom chord live load nonconcurrent with any other live loads.
 - 6) * This truss has been designed for a live load of 30.0psf on the bottom chord in all areas where a rectangle 3-6-0 tall by 1-0-0 wide will fit between the bottom chord and any other members.
 - 7) Provide mechanical connection (by others) of truss to bearing plate capable of withstanding 100 lb uplift at joint(s) 5, 6, 7.
 - 8) This truss is designed in accordance with the 2018 International Residential Code sections R502.11.1 and R802.10.2 and referenced standard ANSI/TPI 1.
 - 9) Graphical bracing representation does not depict the size, type or the orientation of the brace on the member. Symbol only indicates that the member must be braced.
 - 10) Bearing symbols are only graphical representations of a possible bearing condition. Bearing symbols are not considered in the structural design of the truss to support the loads indicated.
 - 11) Web bracing shown is for lateral support of individual web members only. Refer to BCSI - Guide to Good Practice for Handling, Installing, Restraining & Bracing of Metal Plate Connected Wood Trusses for additional bracing guidelines, including diagonal bracing.
 - 12) SEE BCSI-B3 SUMMARY SHEET- PERMANENT RESTRAINING/BRACING OF CHORDS & WEB MEMBERS FOR RECOMMENDED MINIMUM BRACING REQUIREMENTS OF TOP CHORD, BOTTOM CHORD, AND WEB PLANES. IN ADDITION TO THESE MINIMUM GUIDELINES, ALWAYS CONSULT THE PROJECT ARCHITECT OR ENGINEER FOR ADDITIONAL BRACING CONSIDERATIONS.



9/30/2021

LOAD CASE(S) Standard

Warning!—Verify design parameters and read notes before use. This design is based only upon parameters shown, and is for an individual building component to be installed and loaded vertically. Applicability of design parameters and proper incorporation of component is responsibility of building designer – not truss designer or truss engineer. Bracing shown is for lateral support of individual web members only. Additional temporary bracing to ensure stability during construction is the responsibility of the erector. Additional permanent bracing of the overall structure is the responsibility of the building designer. For general guidance regarding fabrication, quality control, storage, delivery, erection and bracing, consult ANSI/TPI 1 *National Design Standard for Metal Plate Connected Wood Truss Construction* and BCSI 1-03 *Guide to Good Practice for Handling, Installing & Bracing of Metal Plate Connected Wood Trusses* from Truss Plate Institute, 583 D'Onofrio Drive, Madison, WI 53719.