

Mark Morris, P.E.

#126, 1317-M, Summerville, SC 29483

843 209-5784, Fax (866)-213-4614

The truss drawing(s) listed below have been prepared by **Atlantic Building Components** under my direct supervision based on the parameters provided by the truss designers.

AST #: 28715

JOB: 21-5645-R01

JOB NAME: 49786-0195 WOODGROVE

Wind Code: 37

Wind Speed: Vult= 115mph

Exposure Category: B

Mean Roof Height (feet): 20

These truss designs comply with IRC 2015 as well as IRC 2018.

18 Truss Design(s)

Trusses:

M01, M02, M03, R01, R02, R02B, R03, R03B, R04, R05, R06, R07, VT01, VT02, VT03, VT04, VT05, VT06



9/29/2021

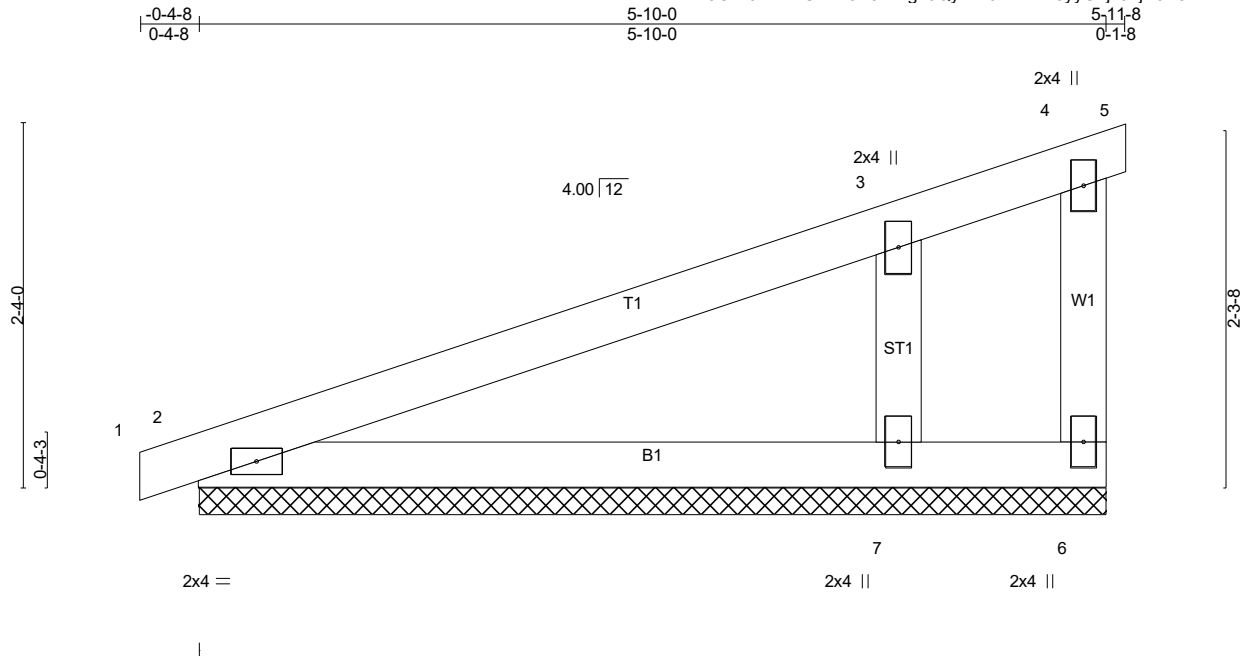
Mark Morris

Warning !—Verify design parameters and read notes before use.

This design is based only upon parameters shown, and is for an individual building component to be installed and loaded vertically. Applicability of design parameters and proper incorporation of component is responsibility of building designer – not truss designer or truss engineer. Bracing shown is for lateral support of individual web members only. Additional temporary bracing to ensure stability during construction is the responsibility of the erector. Additional permanent bracing of the overall structure is the responsibility of the building designer. For general guidance regarding fabrication, quality control, storage, delivery, erection and bracing, consult ANSI/TPI 1 *National Design Standard for Metal Plate Connected Wood Truss Construction* and BCSI 1-03 Guide to

Job 21-5645-R01	Truss M01	Truss Type GABLE	Qty 1	Ply 1	49786-0195 WOODGROVE FUQUAY VARINA, NC
Job Reference (optional)					# 28715

8.430 s Feb 12 2021 MiTek Industries, Inc. Thu Sep 30 15:55:34 2021 Page 1
 ID:9CcuJl7eSaUnzH5X3uf?lgz6QyZ-B0rDIPV45yyG2js34jw9Y3SKPByfKU_pyA2tEyYPV7



Scale = 1:14.8

LOADING (psf)	SPACING-	CSI.	DEFL.	PLATES	GRIP
TCLL (roof) 20.0	2-0-0	TC 0.39	in (loc) l/defl L/d	MT20	244/190
Snow (Pf) 20.0	Plate Grip DOL 1.15	BC 0.28	Vert(LL) 0.00 4 n/r 180		
TCDL 10.0	Lumber DOL 1.15	WB 0.09	Vert(CT) -0.00 4 n/r 80		
BCLL 0.0 *	Rep Stress Incr YES	Matrix-P	Horz(CT) 0.00 n/a n/a		
BCDL 10.0	Code IRC2018/TPI2014			Weight: 23 lb	FT = 20%

LUMBER-
 TOP CHORD 2x4 SP No.2
 BOT CHORD 2x4 SP No.3
 WEBS 2x4 SP No.3
 OTHERS 2x4 SP No.3

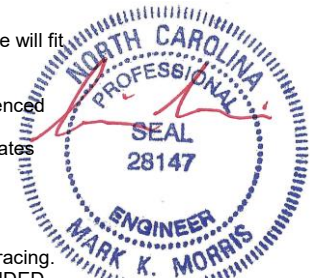
BRACING-
 TOP CHORD Structural wood sheathing directly applied or 5-10-0 oc purlins, except end verticals.
 BOT CHORD Rigid ceiling directly applied or 10-0-0 oc bracing.
 MiTek recommends that Stabilizers and required cross bracing be installed during truss erection, in accordance with Stabilizer Installation guide.

REACTIONS. (lb/size) 6=68/5-10-0 (min. 0-1-8), 2=168/5-10-0 (min. 0-1-8), 7=394/5-10-0 (min. 0-1-8)
 Max Horz 2=53(LC 10)
 Max Uplift 6=89(LC 21), 2=-6(LC 10), 7=-37(LC 14)
 Max Grav 6=4(LC 14), 2=228(LC 21), 7=528(LC 21)

FORCES. (lb) - Max. Comp./Max. Ten. - All forces 250 (lb) or less except when shown.
 WEBS 3-7=-427/288

NOTES- (12-15)

- 1) Wind: ASCE 7-16; Vult=115mph (3-second gust) Vasd=91mph; TCDL=5.0psf; BCDL=5.0psf; h=10ft; Cat. II; Exp B; Enclosed; MWFRS (envelope) gable end zone and C-C Corner(3E) zone; C-C for members and forces & MWFRS for reactions shown; Lumber DOL=1.60 plate grip DOL=1.60
- 2) Truss designed for wind loads in the plane of the truss only. For studs exposed to wind (normal to the face), see Standard Industry Gable End Details as applicable, or consult qualified building designer as per ANSI/TPI 1.
- 3) TCLL: ASCE 7-16; Pr=20.0 psf (roof LL: Lum DOL=1.15 Plate DOL=1.15); Pf=20.0 psf (Lum DOL=1.15 Plate DOL=1.15); Is=1.0; Rough Cat B; Partially Exp.; Ce=1.0; Cs=1.00; Ct=1.10
- 4) Unbalanced snow loads have been considered for this design.
- 5) This truss has been designed for greater of min roof live load of 12.0 psf or 2.00 times flat roof load of 20.0 psf on overhangs non-concurrent with other live loads.
- 6) Gable requires continuous bottom chord bearing.
- 7) Gable studs spaced at 1-4-0 oc.
- 8) This truss has been designed for a 10.0 psf bottom chord live load nonconcurrent with any other live loads.
- 9) * This truss has been designed for a live load of 30.0psf on the bottom chord in all areas where a rectangle 3-6-0 tall by 1-0-0 wide will fit between the bottom chord and any other members.
- 10) Provide mechanical connection (by others) of truss to bearing plate capable of withstanding 100 lb uplift at joint(s) 6, 2, 7.
- 11) This truss is designed in accordance with the 2018 International Residential Code sections R502.11.1 and R802.10.2 and referenced standard ANSI/TPI 1.
- 12) Graphical bracing representation does not depict the size, type or the orientation of the brace on the member. Symbol only indicates that the member must be braced.
- 13) Bearing symbols are only graphical representations of a possible bearing condition. Bearing symbols are not considered in the structural design of the truss to support the loads indicated.
- 14) Web bracing shown is for lateral support of individual web members only. Refer to BCSI - Guide to Good Practice for Handling, Installing, Restraining & Bracing of Metal Plate Connected Wood Trusses for additional bracing guidelines, including diagonal bracing.
- 15) SEE BCSI-B3 SUMMARY SHEET- PERMANENT RESTRAINING/BRACING OF CHORDS & WEB MEMBERS FOR RECOMMENDED MINIMUM BRACING REQUIREMENTS OF TOP CHORD, BOTTOM CHORD, AND WEB PLANES. IN ADDITION TO THESE MINIMUM GUIDELINES, ALWAYS CONSULT THE PROJECT ARCHITECT OR ENGINEER FOR ADDITIONAL BRACING



9/29/2021

CONSIDERATIONS.
 Continued on page 2
 Design parameters and read notes before use. This design is based only upon parameters shown, and is for an individual building component to be installed and loaded vertically. Applicability of design parameters and proper incorporation of component is responsibility of building designer – not truss designer or truss engineer. Bracing shown is for lateral support of individual web members only. Additional temporary bracing to ensure stability during construction is the responsibility of the erector. Additional permanent bracing of the overall structure is the responsibility of the building designer. For general guidance regarding fabrication, quality control, storage, delivery, erection and bracing, consult ANSI/TPI 1 National Design Standard for Metal Plate Connected Wood Truss Construction and BCSI 1-03 Guide to Good Practice for Handling, Installing & Bracing of Metal Plate Connected Wood Trusses from Truss Plate Institute, 583 D'Onofrio Drive, Madison, WI 53719.

Job	Truss	Truss Type	Qty	Ply	49786-0195 WOODGROVE FUQUAY VARINA, NC
21-5645-R01	M01	GABLE	1	1	Job Reference (optional) # 28715

LOAD CASE(S) Standard

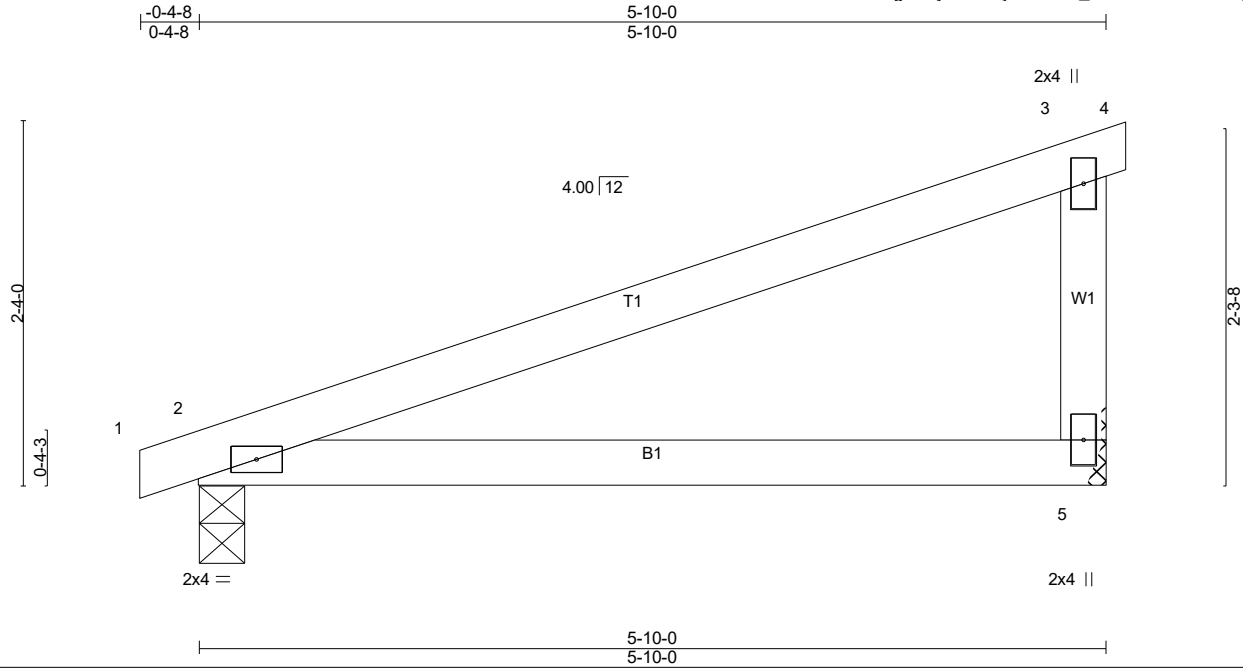


9/29/2021

Warning !—Verify design parameters and read notes before use. This design is based only upon parameters shown, and is for an individual building component to be installed and loaded vertically. Applicability of design parameters and proper incorporation of component is responsibility of building designer – not truss designer or truss engineer. Bracing shown is for lateral support of individual web members only. Additional temporary bracing to ensure stability during construction is the responsibility of the erector. Additional permanent bracing of the overall structure is the responsibility of the building designer. For general guidance regarding fabrication, quality control, storage, delivery, erection and bracing, consult ANSI/TPI 1 *National Design Standard for Metal Plate Connected Wood Truss Construction* and BCSI 1-03 *Guide to Good Practice for Handling, Installing & Bracing of Metal Plate Connected Wood Trusses* from Truss Plate Institute, 583 D'Onofrio Drive, Madison, WI 53719.

Job 21-5645-R01	Truss M02	Truss Type Monopitch	Qty 9	Ply 1	49786-0195 WOODGROVE FUQUAY VARINA, NC	# 28715
--------------------	--------------	-------------------------	----------	----------	--	---------

8.430 s Feb 12 2021 MiTek Industries, Inc. Thu Sep 30 15:55:36 2021 Page 1
 ID:9CcuJl7eSaUnzH5X3uf?lgz6QyZ-8Ozzj4WKdZC_l0?SC8zddUYZL?Lj7FKHHFf8y6yYPV5



Scale = 1:14.8

LOADING (psf)	SPACING-	CSI.	DEFL.	PLATES	GRIP
TCLL (roof) 20.0	2-0-0	TC 0.87	in (loc) l/defl L/d	MT20	244/190
Snow (Pf) 20.0	Plate Grip DOL 1.15	BC 0.39	Vert(LL) -0.06 2-5 >999 240		
TCDL 10.0	Lumber DOL 1.15	WB 0.00	Vert(CT) -0.11 2-5 >588 180		
BCLL 0.0 *	Rep Stress Incr YES	Matrix-P	Horz(CT) 0.00 n/a n/a		
BCDL 10.0	Code IRC2018/TPI2014			Weight: 21 lb	FT = 20%

LUMBER-
 TOP CHORD 2x4 SP No.2
 BOT CHORD 2x4 SP No.2
 WEBS 2x4 SP No.3

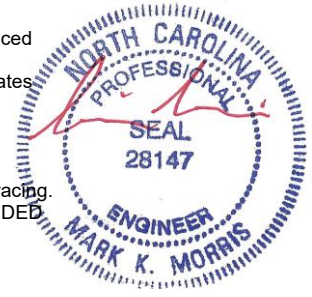
BRACING-
 TOP CHORD Structural wood sheathing directly applied or 2-2-0 oc purlins, except end verticals.
 BOT CHORD Rigid ceiling directly applied or 10-0-0 oc bracing.

MiTek recommends that Stabilizers and required cross bracing be installed during truss erection, in accordance with Stabilizer Installation guide.

REACTIONS. (lb/size) 5=237/Mechanical, 2=254/0-3-8 (min. 0-1-8)
 Max Horz 2=53(LC 10)
 Max Uplift 5=-25(LC 14), 2=-17(LC 10)
 Max Grav 5=319(LC 21), 2=344(LC 21)

FORCES. (lb) - Max. Comp./Max. Ten. - All forces 250 (lb) or less except when shown.
 TOP CHORD 3-5=-264/103

- NOTES-** (10-13)
- 1) Wind: ASCE 7-16; Vult=115mph (3-second gust) Vasd=91mph; TC DL=5.0psf; BCDL=5.0psf; h=10ft; Cat. II; Exp B; Enclosed; MWFRS (envelope) gable end zone and C-C Exterior(2E) zone; C-C for members and forces & MWFRS for reactions shown; Lumber DOL=1.60 plate grip DOL=1.60
 - 2) TCLL: ASCE 7-16; Pr=20.0 psf (roof LL: Lum DOL=1.15 Plate DOL=1.15); Pf=20.0 psf (Lum DOL=1.15 Plate DOL=1.15); Is=1.0; Rough Cat B; Partially Exp.; Ce=1.0; Cs=1.00; Ct=1.10
 - 3) Unbalanced snow loads have been considered for this design.
 - 4) This truss has been designed for greater of min roof live load of 12.0 psf or 2.00 times flat roof load of 20.0 psf on overhangs non-concurrent with other live loads.
 - 5) This truss has been designed for a 10.0 psf bottom chord live load nonconcurrent with any other live loads.
 - 6) * This truss has been designed for a live load of 30.0psf on the bottom chord in all areas where a rectangle 3-6-0 tall by 1-0-0 wide will fit between the bottom chord and any other members.
 - 7) Refer to girder(s) for truss to truss connections.
 - 8) Provide mechanical connection (by others) of truss to bearing plate capable of withstanding 100 lb uplift at joint(s) 5, 2.
 - 9) This truss is designed in accordance with the 2018 International Residential Code sections R502.11.1 and R802.10.2 and referenced standard ANSI/TPI 1.
 - 10) Graphical bracing representation does not depict the size, type or the orientation of the brace on the member. Symbol only indicates that the member must be braced.
 - 11) Bearing symbols are only graphical representations of a possible bearing condition. Bearing symbols are not considered in the structural design of the truss to support the loads indicated.
 - 12) Web bracing shown is for lateral support of individual web members only. Refer to BCSI - Guide to Good Practice for Handling, Installing, Restraining & Bracing of Metal Plate Connected Wood Trusses for additional bracing guidelines, including diagonal bracing.
 - 13) SEE BCSI-B3 SUMMARY SHEET- PERMANENT RESTRAINING/BRACING OF CHORDS & WEB MEMBERS FOR RECOMMENDED MINIMUM BRACING REQUIREMENTS OF TOP CHORD, BOTTOM CHORD, AND WEB PLANES. IN ADDITION TO THESE MINIMUM GUIDELINES, ALWAYS CONSULT THE PROJECT ARCHITECT OR ENGINEER FOR ADDITIONAL BRACING CONSIDERATIONS.



9/29/2021

LOAD CASE(S) Standard

Warning !—Verify design parameters and read notes before use. This design is based only upon parameters shown, and is for an individual building component to be installed and loaded vertically. Applicability of design parameters and proper incorporation of component is responsibility of building designer – not truss designer or truss engineer. Bracing shown is for lateral support of individual web members only. Additional temporary bracing to ensure stability during construction is the responsibility of the erector. Additional permanent bracing of the overall structure is the responsibility of the building designer. For general guidance regarding fabrication, quality control, storage, delivery, erection and bracing, consult ANSI/TPI 1 *National Design Standard for Metal Plate Connected Wood Truss Construction* and BCSI 1-03 *Guide to Good Practice for Handling, Installing & Bracing of Metal Plate Connected Wood Trusses* from Truss Plate Institute, 583 D*Onofrio Drive, Madison, WI 53719.

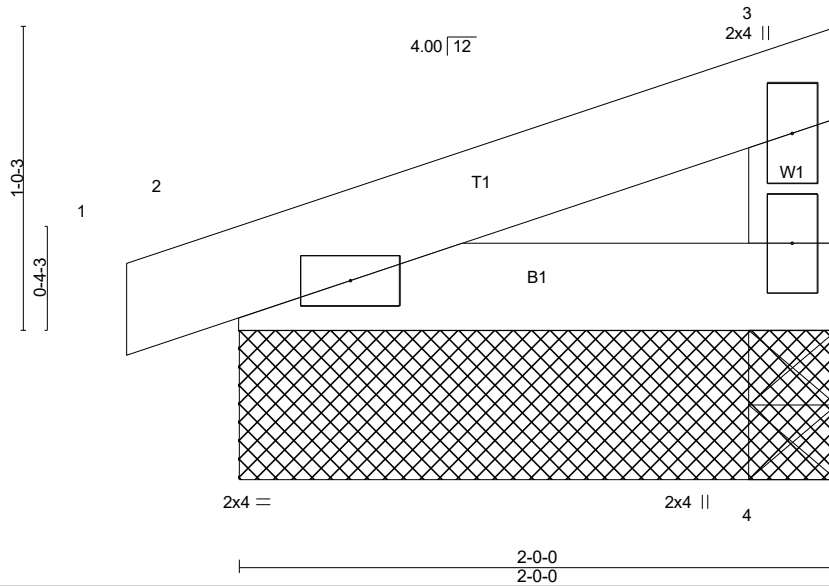
Job	Truss	Truss Type	Qty	Ply	49786-0195 WOODGROVE FUQUAY VARINA, NC
21-5645-R01	M03	Monopitch Structural Gable	1	1	Job Reference (optional) # 28715

8.430 s Feb 12 2021 MiTek Industries, Inc. Thu Sep 30 15:55:37 2021 Page 1

ID:9CcuJl7eSaUnzH5X3uf?lgz6QyZ-caXLxQxyNtKrvAaemsUs9i4wePn4siaQVvOiuZyYPV4



Scale = 1:7.7



LOADING (psf)	SPACING-	CSI.	DEFL.	PLATES	GRIP
TCLL (roof) 20.0	2-0-0	TC 0.07	in (loc) l/defl L/d	MT20	244/190
Snow (Pf) 20.0	Plate Grip DOL 1.15	BC 0.06	Vert(LL) -0.00 2 >999 240		
TCDL 10.0	Lumber DOL 1.15	WB 0.00	Vert(CT) -0.00 2-4 >999 180		
BCLL 0.0 *	Rep Stress Incr YES	Matrix-P	Horz(CT) 0.00 n/a n/a		
BCDL 10.0	Code IRC2018/TPI2014			Weight: 7 lb	FT = 20%

LUMBER-
TOP CHORD 2x4 SP No.2
BOT CHORD 2x4 SP No.3
WEBS 2x4 SP No.3

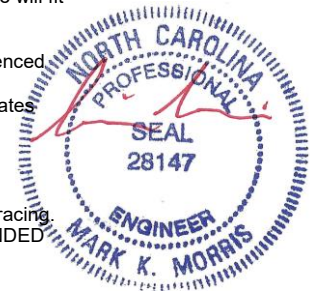
BRACING-
TOP CHORD Structural wood sheathing directly applied or 2-0-0 oc purlins, except end verticals.
BOT CHORD Rigid ceiling directly applied or 10-0-0 oc bracing.
MiTek recommends that Stabilizers and required cross bracing be installed during truss erection, in accordance with Stabilizer Installation guide.

REACTIONS. (lb/size) 4=72/2-0-0 (min. 0-1-8), 4=72/2-0-0 (min. 0-1-8), 2=99/2-0-0 (min. 0-1-8)
Max Horz 2=19(LC 10)
Max Uplift 4=-7(LC 14), 2=-11(LC 10)
Max Grav 4=88(LC 21), 4=72(LC 1), 2=123(LC 21)

FORCES. (lb) - Max. Comp./Max. Ten. - All forces 250 (lb) or less except when shown.

NOTES- (11-14)

- 1) Wind: ASCE 7-16; Vult=115mph (3-second gust) Vasd=91mph; TCCL=5.0psf; BCDL=5.0psf; h=10ft; Cat. II; Exp B; Enclosed; MWFRS (envelope) gable end zone and C-C Corner(3E) zone; C-C for members and forces & MWFRS for reactions shown; Lumber DOL=1.60 plate grip DOL=1.60
- 2) Truss designed for wind loads in the plane of the truss only. For studs exposed to wind (normal to the face), see Standard Industry Gable End Details as applicable, or consult qualified building designer as per ANSI/TPI 1.
- 3) TCLL: ASCE 7-16; Pr=20.0 psf (roof LL: Lum DOL=1.15 Plate DOL=1.15); Pf=20.0 psf (Lum DOL=1.15 Plate DOL=1.15); Is=1.0; Rough Cat B; Partially Exp.; Ce=1.0; Cs=1.00; Ct=1.10
- 4) Unbalanced snow loads have been considered for this design.
- 5) This truss has been designed for greater of min roof live load of 12.0 psf or 2.00 times flat roof load of 20.0 psf on overhangs non-concurrent with other live loads.
- 6) Gable studs spaced at 2-0-0 oc.
- 7) This truss has been designed for a 10.0 psf bottom chord live load nonconcurrent with any other live loads.
- 8) * This truss has been designed for a live load of 30.0psf on the bottom chord in all areas where a rectangle 3-6-0 tall by 1-0-0 wide will fit between the bottom chord and any other members.
- 9) Provide mechanical connection (by others) of truss to bearing plate capable of withstanding 100 lb uplift at joint(s) 4, 2.
- 10) This truss is designed in accordance with the 2018 International Residential Code sections R502.11.1 and R802.10.2 and referenced standard ANSI/TPI 1.
- 11) Graphical bracing representation does not depict the size, type or the orientation of the brace on the member. Symbol only indicates that the member must be braced.
- 12) Bearing symbols are only graphical representations of a possible bearing condition. Bearing symbols are not considered in the structural design of the truss to support the loads indicated.
- 13) Web bracing shown is for lateral support of individual web members only. Refer to BCSI - Guide to Good Practice for Handling, Installing, Restraining & Bracing of Metal Plate Connected Wood Trusses for additional bracing guidelines, including diagonal bracing.
- 14) SEE BCSI-B3 SUMMARY SHEET- PERMANENT RESTRAINING/BRACING OF CHORDS & WEB MEMBERS FOR RECOMMENDED MINIMUM BRACING REQUIREMENTS OF TOP CHORD, BOTTOM CHORD, AND WEB PLANES. IN ADDITION TO THESE MINIMUM GUIDELINES, ALWAYS CONSULT THE PROJECT ARCHITECT OR ENGINEER FOR ADDITIONAL BRACING CONSIDERATIONS.



9/29/2021

LOAD CASE(S) Standard

Warning! - Verify design parameters and read notes before use. This design is based only upon parameters shown, and is for an individual building component to be installed and loaded vertically. Applicability of design parameters and proper incorporation of component is responsibility of building designer - not truss designer or truss engineer. Bracing shown is for lateral support of individual web members only. Additional temporary bracing to ensure stability during construction is the responsibility of the erector. Additional permanent bracing of the overall structure is the responsibility of the building designer. For general guidance regarding fabrication, quality control, storage, delivery, erection and bracing, consult ANSI/TPI 1 *National Design Standard for Metal Plate Connected Wood Truss Construction* and BCSI 1-03 *Guide to Good Practice for Handling, Installing & Bracing of Metal Plate Connected Wood Trusses* from Truss Plate Institute, 583 D'Onofrio Drive, Madison, WI 53719.

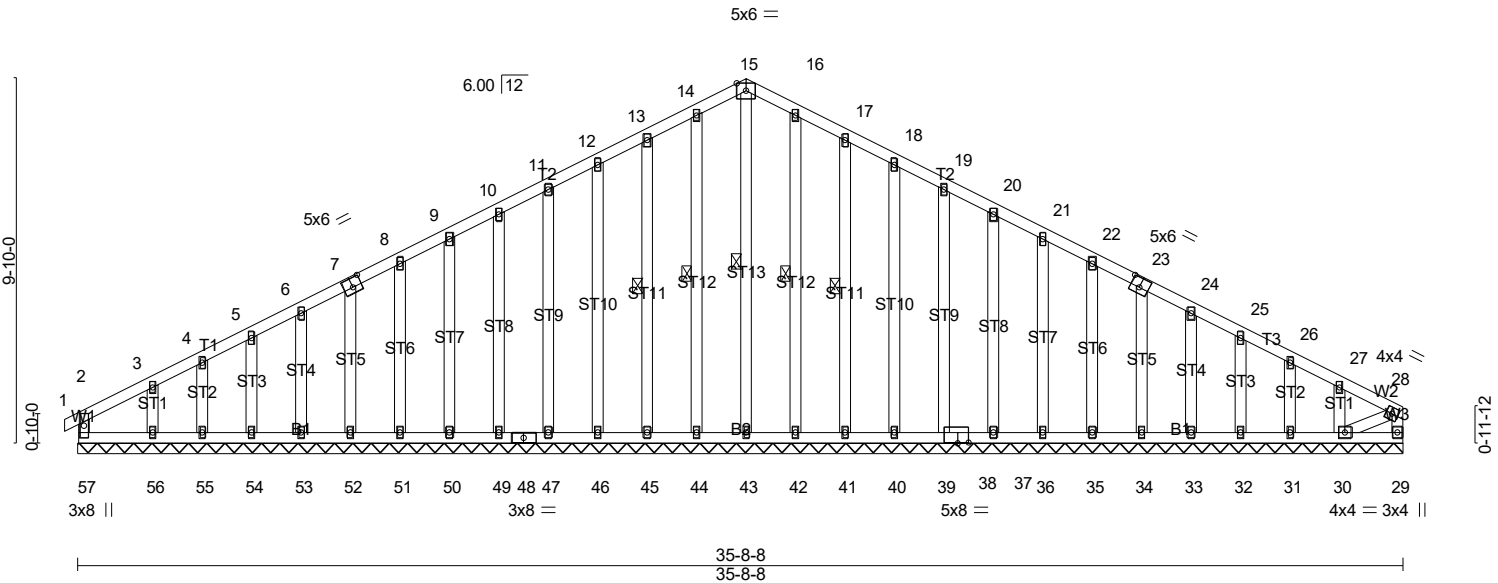


Plate Offsets (X,Y)-- [7:0-3-0,0-3-0], [23:0-3-0,0-3-0], [39:0-3-8,0-0-4]

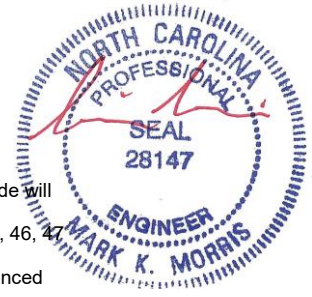
LOADING (psf)	TCLL (roof) 20.0 Snow (Pf) 20.0 TCDL 10.0 BCLL 0.0 * BCDL 10.0	SPACING- Plate Grip DOL 2-0-0 Lumber DOL 1.15 Rep Stress Incr 1.15 Code IRC2018/TPI2014 YES	CSI. TC 0.10 BC 0.09 WB 0.14 Matrix-SH	DEFL. Vert(LL) 0.00 in (loc) 1 l/defl 180 Vert(CT) 0.00 in (loc) 1 n/r 80 Horz(CT) 0.01 in (loc) 29 n/a n/a	PLATES GRIP MT20 244/190 Weight: 307 lb FT = 20%
----------------------	--	--	---	---	---

LUMBER- TOP CHORD 2x4 SP No.2 BOT CHORD 2x4 SP No.3 WEBS 2x4 SP No.3 OTHERS 2x4 SP No.3	BRACING- TOP CHORD Structural wood sheathing directly applied or 6-0-0 oc purlins, except end verticals. BOT CHORD Rigid ceiling directly applied or 10-0-0 oc bracing. WEBS 1 Row at midpt 15-43, 14-44, 13-45, 16-42, 17-41 <div style="border: 1px solid black; padding: 5px; margin-top: 5px;">MiTek recommends that Stabilizers and required cross bracing be installed during truss erection, in accordance with Stabilizer Installation guide.</div>
--	--

REACTIONS. All bearings 35-8-8.
(lb) - Max Horz 57=118(LC 14)
Max Uplift All uplift 100 lb or less at joint(s) 57, 29, 44, 45, 46, 47, 49, 50, 51, 52, 53, 54, 55, 56, 42, 41, 40, 39, 37, 36, 35, 34, 33, 32, 31, 30
Max Grav All reactions 250 lb or less at joint(s) 57, 29, 43, 44, 45, 46, 47, 49, 50, 51, 52, 53, 54, 55, 56, 42, 41, 40, 39, 37, 36, 35, 34, 33, 32, 31, 30

FORCES. (lb) - Max. Comp./Max. Ten. - All forces 250 (lb) or less except when shown.

- NOTES-** (15-18)
- 1) Unbalanced roof live loads have been considered for this design.
 - 2) Wind: ASCE 7-16; Vult=115mph (3-second gust) Vasd=91mph; TCCL=5.0psf; BCDL=5.0psf; h=24ft; Cat. II; Exp B; Enclosed; MWFRS (envelope) gable end zone and C-C Corner(3E) -0-4-8 to 3-4-0, Exterior(2N) 3-4-0 to 14-0-0, Corner(3R) 14-0-0 to 22-0-0, Exterior(2N) 22-0-0 to 31-4-0, Corner(3E) 31-4-0 to 35-6-12 zone;C-C for members and forces & MWFRS for reactions shown; Lumber DOL=1.60 plate grip DOL=1.60
 - 3) Truss designed for wind loads in the plane of the truss only. For studs exposed to wind (normal to the face), see Standard Industry Gable End Details as applicable, or consult qualified building designer as per ANSI/TPI 1.
 - 4) TCLL: ASCE 7-16; Pr=20.0 psf (roof LL: Lum DOL=1.15 Plate DOL=1.15); Pf=20.0 psf (Lum DOL=1.15 Plate DOL=1.15); Is=1.0; Rough Cat B; Partially Exp.; Ce=1.0; Cs=1.00; Ct=1.10
 - 5) Unbalanced snow loads have been considered for this design.
 - 6) This truss has been designed for greater of min roof live load of 12.0 psf or 2.00 times flat roof load of 20.0 psf on overhangs non-concurrent with other live loads.
 - 7) All plates are 2x4 MT20 unless otherwise indicated.
 - 8) Gable requires continuous bottom chord bearing.
 - 9) Truss to be fully sheathed from one face or securely braced against lateral movement (i.e. diagonal web).
 - 10) Gable studs spaced at 1-4-0 oc.
 - 11) This truss has been designed for a 10.0 psf bottom chord live load nonconcurrent with any other live loads.
 - 12) * This truss has been designed for a live load of 30.0psf on the bottom chord in all areas where a rectangle 3-6-0 tall by 1-0-0 wide will fit between the bottom chord and any other members, with BCDL = 10.0psf.
 - 13) Provide mechanical connection (by others) of truss to bearing plate capable of withstanding 100 lb uplift at joint(s) 57, 29, 44, 45, 46, 47, 49, 50, 51, 52, 53, 54, 55, 56, 42, 41, 40, 39, 37, 36, 35, 34, 33, 32, 31, 30.
 - 14) This truss is designed in accordance with the 2018 International Residential Code sections R502.11.1 and R802.10.2 and referenced standard ANSI/TPI 1.



9/29/2021

Continued on Page 2 Design parameters and read notes before use. This design is based only upon parameters shown, and is for an individual building component to be installed and loaded vertically. Applicability of design parameters and proper incorporation of component is responsibility of building designer – not truss designer or truss engineer. Bracing shown is for lateral support of individual web members only. Additional temporary bracing to ensure stability during construction is the responsibility of the erector. Additional permanent bracing of the overall structure is the responsibility of the building designer. For general guidance regarding fabrication, quality control, storage, delivery, erection and bracing, consult ANSI/TPI 1 *National Design Standard for Metal Plate Connected Wood Truss Construction* and BCSI 1-03 *Guide to Good Practice for Handling, Installing & Bracing of Metal Plate Connected Wood Trusses* from Truss Plate Institute, 583 D'Onofrio Drive, Madison, WI 53719.

Job	Truss	Truss Type	Qty	Ply	49786-0195 WOODGROVE FUQUAY VARINA, NC
21-5645-R01	R01	GABLE	1	1	Job Reference (optional) # 28715

8.430 s Feb 12 2021 MiTek Industries, Inc. Thu Sep 30 15:55:44 2021 Page 2
 ID:9CcuJl7eSaUnzH5X3uf?lgz6QyZ-vxS?Ppck1CrFFc_gq6VyAt6MD9G?rAS6VbaDfyYPuz

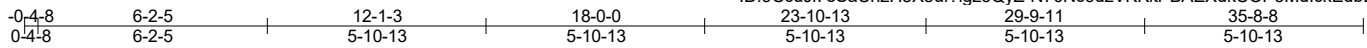
- 15) Graphical bracing representation does not depict the size, type or the orientation of the brace on the member. Symbol only indicates that the member must be braced.
- 16) Bearing symbols are only graphical representations of a possible bearing condition. Bearing symbols are not considered in the structural design of the truss to support the loads indicated.
- 17) Web bracing shown is for lateral support of individual web members only. Refer to BCSI - Guide to Good Practice for Handling, Installing, Restraining & Bracing of Metal Plate Connected Wood Trusses for additional bracing guidelines, including diagonal bracing.
- 18) SEE BCSI-B3 SUMMARY SHEET- PERMANENT RESTRAING/BRACING OF CHORDS & WEB MEMBERS FOR RECOMMENDED MINIMUM BRACING REQUIREMENTS OF TOP CHORD, BOTTOM CHORD, AND WEB PLANES. IN ADDITION TO THESE MINIMUM GUIDELINES, ALWAYS CONSULT THE PROJECT ARCHITECT OR ENGINEER FOR ADDITIONAL BRACING CONSIDERATIONS.

LOAD CASE(S) Standard



9/29/2021

Warning !—Verify design parameters and read notes before use. This design is based only upon parameters shown, and is for an individual building component to be installed and loaded vertically. Applicability of design parameters and proper incorporation of component is responsibility of building designer – not truss designer or truss engineer. Bracing shown is for lateral support of individual web members only. Additional temporary bracing to ensure stability during construction is the responsibility of the erector. Additional permanent bracing of the overall structure is the responsibility of the building designer. For general guidance regarding fabrication, quality control, storage, delivery, erection and bracing, consult ANSI/TPI 1 *National Design Standard for Metal Plate Connected Wood Truss Construction* and BCSI 1-03 *Guide to Good Practice for Handling, Installing & Bracing of Metal Plate Connected Wood Trusses* from Truss Plate Institute, 583 D'Onofrio Drive, Madison, WI 53719.



Scale = 1:62.1

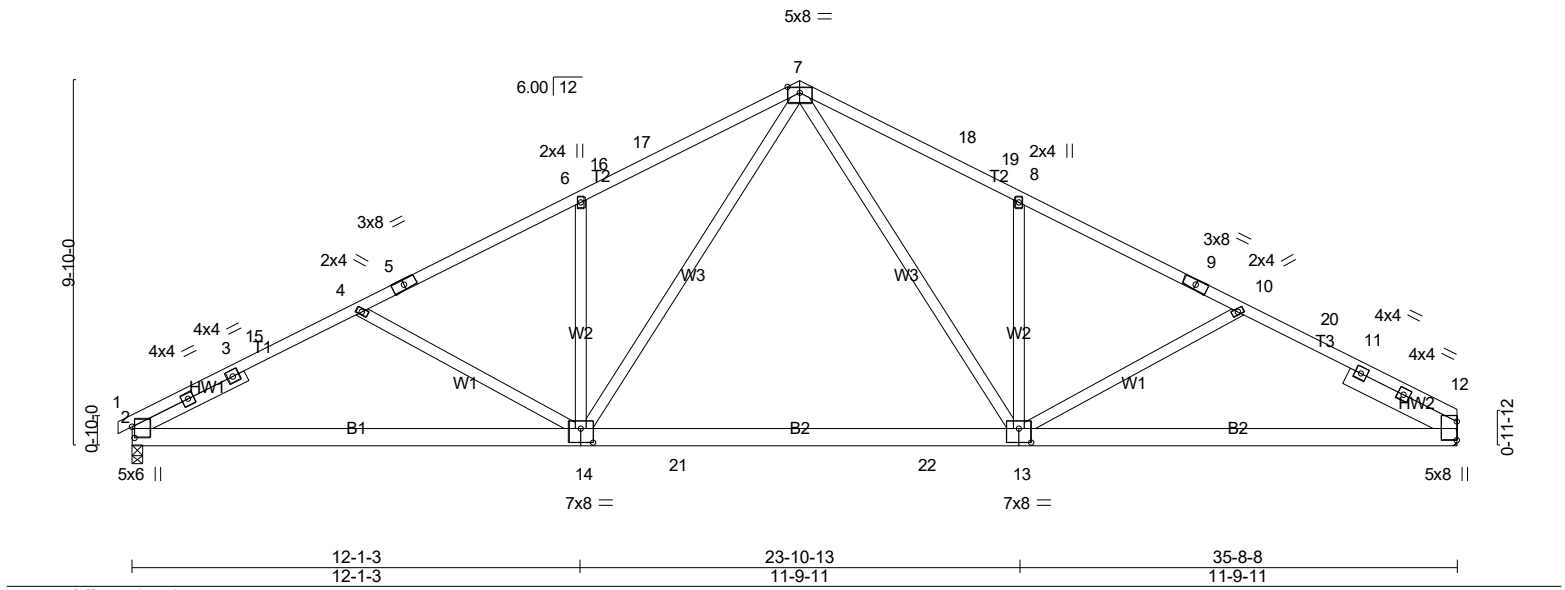


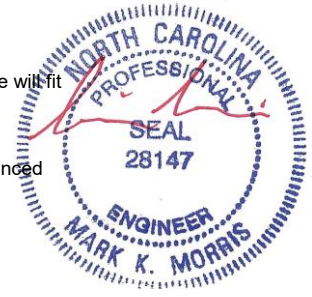
Plate Offsets (X,Y)-- [2:0-3-9,0-0-13], [13:0-4-0,0-4-8], [14:0-4-0,0-4-8]						
LOADING (psf)	SPACING-	CSI.	DEFL.		PLATES	GRIP
TCLL (roof) 20.0	2-0-0	TC 0.98	in (loc) l/defl L/d		MT20	244/190
Snow (Pf) 20.0	Plate Grip DOL 1.15	BC 0.92	Vert(LL) -0.43 13-14 >999 240			
TCDL 10.0	Lumber DOL 1.15	WB 0.44	Vert(CT) -0.60 13-14 >713 180			
BCLL 0.0 *	Rep Stress Incr YES	Matrix-SH	Horz(CT) 0.07 12 n/a n/a			
BCDL 10.0	Code IRC2018/TPI2014					Weight: 227 lb FT = 20%

LUMBER-	BRACING-
TOP CHORD 2x4 SP No.2	TOP CHORD Structural wood sheathing directly applied.
BOT CHORD 2x6 SP No.2	BOT CHORD Rigid ceiling directly applied or 2-2-0 oc bracing.
WEBS 2x4 SP No.3	
SLIDER Left 2x4 SP No.3 - 3-4-12, Right 2x6 SP No.2 - 3-3-9	MiTek recommends that Stabilizers and required cross bracing be installed during truss erection, in accordance with Stabilizer Installation guide.

REACTIONS. (lb/size) 2=1451/0-3-8 (min. 0-1-11), 12=1428/Mechanical
 Max Horz 2=-118(LC 15)
 Max Uplift 2=-85(LC 14), 12=-78(LC 15)

FORCES. (lb) - Max. Comp./Max. Ten. - All forces 250 (lb) or less except when shown.
 TOP CHORD 2-3=-2444/178, 3-15=-2366/194, 4-15=-2352/204, 4-5=-2202/159, 5-6=-2145/180,
 6-16=-2219/242, 16-17=-2202/248, 7-17=-2145/266, 7-18=-2119/267, 18-19=-2176/249,
 8-19=-2193/243, 8-9=-2119/181, 9-10=-2159/159, 10-20=-2271/202, 11-20=-2297/189,
 11-12=-2374/177
 BOT CHORD 2-14=-197/2067, 14-21=0/1392, 21-22=0/1392, 13-22=0/1392, 12-13=-106/1987
 WEBS 4-14=-285/143, 6-14=-497/168, 7-14=-139/1074, 7-13=-139/1031, 8-13=-506/169

- NOTES-** (11-14)
- 1) Unbalanced roof live loads have been considered for this design.
 - 2) Wind: ASCE 7-16; Vult=115mph (3-second gust) Vasd=91mph; TCCL=5.0psf; BCDL=5.0psf; h=24ft; Cat. II; Exp B; Enclosed; MWFRS (envelope) gable end zone and C-C Exterior(2E) -0-4-8 to 3-7-2, Interior(1) 3-7-2 to 14-0-6, Exterior(2R) 14-0-6 to 21-11-10, Interior(1) 21-11-10 to 31-8-14, Exterior(2E) 31-8-14 to 35-8-8 zone; C-C for members and forces & MWFRS for reactions shown; Lumber DOL=1.60 plate grip DOL=1.60
 - 3) TCLL: ASCE 7-16; Pr=20.0 psf (roof LL: Lum DOL=1.15 Plate DOL=1.15); Pf=20.0 psf (Lum DOL=1.15 Plate DOL=1.15); Is=1.0; Rough Cat B; Partially Exp.; Ce=1.0; Cs=1.00; Ct=1.10
 - 4) Unbalanced snow loads have been considered for this design.
 - 5) This truss has been designed for greater of min roof live load of 12.0 psf or 2.00 times flat roof load of 20.0 psf on overhangs non-concurrent with other live loads.
 - 6) This truss has been designed for a 10.0 psf bottom chord live load nonconcurrent with any other live loads.
 - 7) * This truss has been designed for a live load of 30.0psf on the bottom chord in all areas where a rectangle 3-6-0 tall by 1-0-0 wide will fit between the bottom chord and any other members, with BCDL = 10.0psf.
 - 8) Refer to girder(s) for truss to truss connections.
 - 9) Provide mechanical connection (by others) of truss to bearing plate capable of withstanding 100 lb uplift at joint(s) 2, 12.
 - 10) This truss is designed in accordance with the 2018 International Residential Code sections R502.11.1 and R802.10.2 and referenced standard ANSI/TPI 1.



9/29/2021

Continued on Page 2 Design parameters and read notes before use. This design is based only upon parameters shown, and is for an individual building component to be installed and loaded vertically. Applicability of design parameters and proper incorporation of component is responsibility of building designer – not truss designer or truss engineer. Bracing shown is for lateral support of individual web members only. Additional temporary bracing to ensure stability during construction is the responsibility of the erector. Additional permanent bracing of the overall structure is the responsibility of the building designer. For general guidance regarding fabrication, quality control, storage, delivery, erection and bracing, consult ANSI/TPI 1 *National Design Standard for Metal Plate Connected Wood Truss Construction* and BCSI 1-03 *Guide to Good Practice for Handling, Installing & Bracing of Metal Plate Connected Wood Trusses* from Truss Plate Institute, 583 D'Onofrio Drive, Madison, WI 53719.

Job	Truss	Truss Type	Qty	Ply	49786-0195 WOODGROVE FUQUAY VARINA, NC
21-5645-R01	R02	Common	9	1	Job Reference (optional) # 28715

8.430 s Feb 12 2021 MiTek Industries, Inc. Thu Sep 30 15:55:45 2021 Page 2
 ID:9CcuJl7eSaUnzH5X3uf?lgz6QyZ-N70Nc9dzVKKitPBAEXdkUOP3MdickEdbL9K715yYPuy

- 11) Graphical bracing representation does not depict the size, type or the orientation of the brace on the member. Symbol only indicates that the member must be braced.
- 12) Bearing symbols are only graphical representations of a possible bearing condition. Bearing symbols are not considered in the structural design of the truss to support the loads indicated.
- 13) Web bracing shown is for lateral support of individual web members only. Refer to BCSI - Guide to Good Practice for Handling, Installing, Restraining & Bracing of Metal Plate Connected Wood Trusses for additional bracing guidelines, including diagonal bracing.
- 14) SEE BCSI-B3 SUMMARY SHEET- PERMANENT RESTRAING/BRACING OF CHORDS & WEB MEMBERS FOR RECOMMENDED MINIMUM BRACING REQUIREMENTS OF TOP CHORD, BOTTOM CHORD, AND WEB PLANES. IN ADDITION TO THESE MINIMUM GUIDELINES, ALWAYS CONSULT THE PROJECT ARCHITECT OR ENGINEER FOR ADDITIONAL BRACING CONSIDERATIONS.

LOAD CASE(S) Standard



9/29/2021

Warning !—Verify design parameters and read notes before use. This design is based only upon parameters shown, and is for an individual building component to be installed and loaded vertically. Applicability of design parameters and proper incorporation of component is responsibility of building designer – not truss designer or truss engineer. Bracing shown is for lateral support of individual web members only. Additional temporary bracing to ensure stability during construction is the responsibility of the erector. Additional permanent bracing of the overall structure is the responsibility of the building designer. For general guidance regarding fabrication, quality control, storage, delivery, erection and bracing, consult ANSI/TPI 1 *National Design Standard for Metal Plate Connected Wood Truss Construction* and BCSI 1-03 *Guide to Good Practice for Handling, Installing & Bracing of Metal Plate Connected Wood Trusses* from Truss Plate Institute, 583 D*Onofrio Drive, Madison, WI 53719.

Job 21-5645-R01	Truss R02B	Truss Type Common	Qty 1	Ply 1	49786-0195 WOODGROVE FUQUAY VARINA, NC
Job Reference (optional)					# 28715

8.430 s Feb 12 2021 MiTek Industries, Inc. Thu Sep 30 15:55:48 2021 Page 1
 ID:9CcuJl7eSaUnzH5X3uf?lgz6QyZ-nihVEBfsoFjHkswlvfAR601d?qM8xYr217ZnMQyYPuv



Scale = 1:63.1

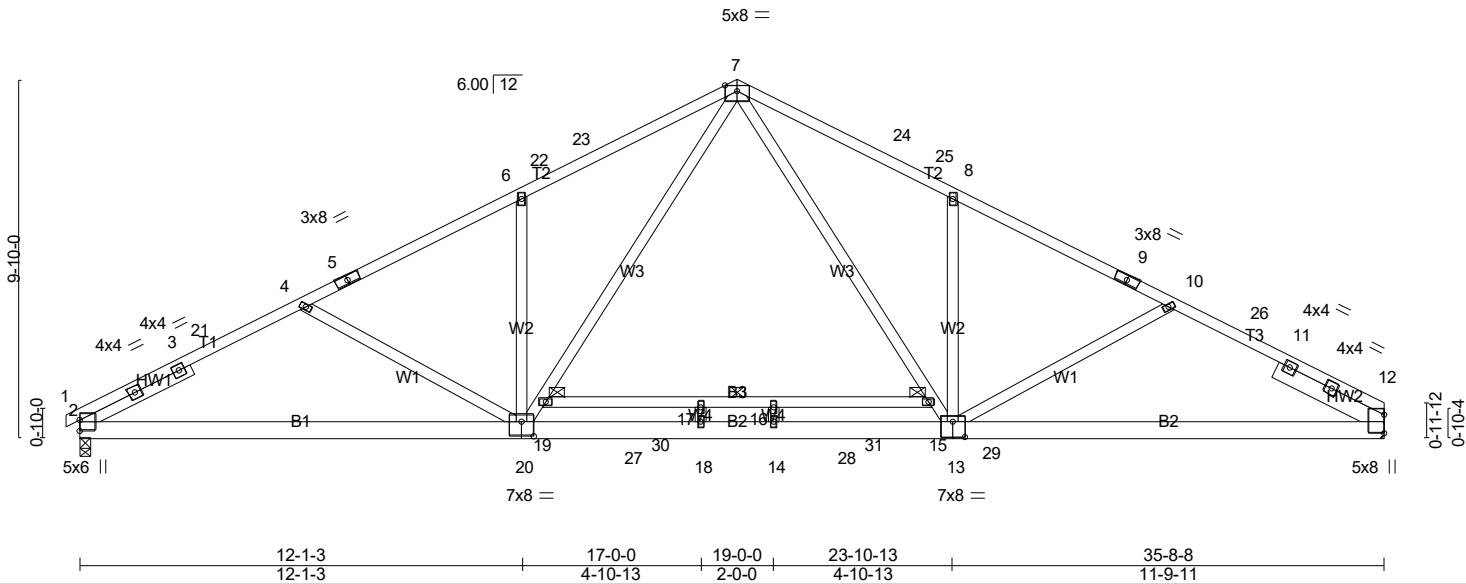


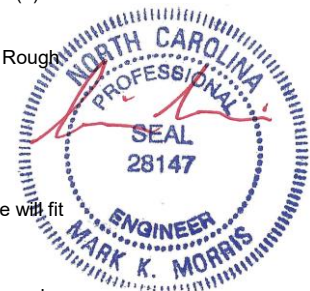
Plate Offsets (X,Y)-- [13:0-4-0,0-5-0], [20:0-4-0,0-4-12]					
LOADING (psf)	SPACING	CSI.	DEFL.	PLATES	GRIP
TCLL (roof) 20.0	2-0-0	TC 0.83	in (loc) l/defl L/d	MT20	244/190
Snow (Pf) 20.0	Plate Grip DOL 1.15	BC 0.73	Vert(LL) -0.54 14-18 >795 240		
TCDL 10.0	Lumber DOL 1.15	WB 0.61	Vert(CT) -0.81 14-18 >530 180		
BCLL 0.0 *	Rep Stress Incr YES	Matrix-SH	Horz(CT) 0.06 12 n/a n/a		
BCDL 10.0	Code IRC2018/TPI2014			Weight: 244 lb	FT = 20%

LUMBER-	BRACING-
TOP CHORD 2x4 SP No.2 *Except* T1: 2x4 SP No.1, T3: 2x4 SP SS	TOP CHORD Structural wood sheathing directly applied or 2-2-0 oc purlins.
BOT CHORD 2x6 SP DSS *Except* B1: 2x6 SP No.1, B3: 2x4 SP No.2	BOT CHORD Rigid ceiling directly applied or 9-6-15 oc bracing. Except: 6-0-0 oc bracing: 15-19
WEBS 2x4 SP No.3	MiTek recommends that Stabilizers and required cross bracing be installed during truss erection, in accordance with Stabilizer Installation guide.
SLIDER Left 2x4 SP No.3 - 3-4-12, Right 2x6 SP No.2 - 3-3-9	

REACTIONS. (lb/size) 2=1558/0-3-8 (min. 0-1-15), 12=1537/Mechanical
 Max Horz 2=-118(LC 15)
 Max Uplift 2=-31(LC 14), 12=-23(LC 15)
 Max Grav 2=1637(LC 3), 12=1624(LC 3)

FORCES. (lb) - Max. Comp./Max. Ten. - All forces 250 (lb) or less except when shown.
 TOP CHORD 2-3=-2903/66, 3-21=-2824/80, 4-21=-2810/92, 4-5=-2672/36, 5-6=-2631/61,
 6-22=-2705/122, 22-23=-2688/128, 7-23=-2631/145, 7-24=-2611/146, 24-25=-2668/128,
 8-25=-2685/122, 8-9=-2611/61, 9-10=-2649/37, 10-26=-2728/92, 11-26=-2753/81,
 11-12=-2832/66
 BOT CHORD 2-20=-101/2462, 20-27=0/1723, 18-27=0/1723, 14-18=0/1723, 14-28=0/1723, 28-29=0/1723,
 13-29=0/1723, 12-13=-13/2375
 WEBS 4-20=-263/157, 6-20=-500/165, 19-20=-103/1233, 7-19=-75/1326, 7-15=-74/1293,
 13-15=-102/1200, 8-13=-507/165

- NOTES-** (12-15)
- Unbalanced roof live loads have been considered for this design.
 - Wind: ASCE 7-16; Vult=115mph (3-second gust) Vasd=91mph; TCCL=5.0psf; BCDL=5.0psf; h=24ft; Cat. II; Exp B; Enclosed; MWFERS (envelope) gable end zone and C-C Exterior(2E) -0-4-8 to 3-7-2, Interior(1) 3-7-2 to 14-0-6, Exterior(2R) 14-0-6 to 21-11-10, Interior(1) 21-11-10 to 31-8-14, Exterior(2E) 31-8-14 to 35-8-8 zone; C-C for members and forces & MWFERS for reactions shown; Lumber DOL=1.60 plate grip DOL=1.60
 - TCCL: ASCE 7-16; Pr=20.0 psf (roof LL: Lum DOL=1.15 Plate DOL=1.15); Pf=20.0 psf (Lum DOL=1.15 Plate DOL=1.15); Is=1.0; Rough Cat B; Partially Exp.; Ce=1.0; Cs=1.00; Ct=1.10
 - Unbalanced snow loads have been considered for this design.
 - This truss has been designed for greater of min roof live load of 12.0 psf or 2.00 times flat roof load of 20.0 psf on overhangs non-concurrent with other live loads.
 - All plates are 2x4 MT20 unless otherwise indicated.
 - This truss has been designed for a 10.0 psf bottom chord live load nonconcurrent with any other live loads.
 - * This truss has been designed for a live load of 30.0psf on the bottom chord in all areas where a rectangle 3-6-0 tall by 1-0-0 wide will fit between the bottom chord and any other members, with BCDL = 10.0psf.
 - Refer to girder(s) for truss to truss connections.
 - Provide mechanical connection (by others) of truss to bearing plate capable of withstanding 100 lb uplift at joint(s) 2, 12.
 - This truss is designed in accordance with the 2018 International Residential Code sections R502.11.1 and R802.10.2 and referenced standard ANSI/TPI 1.



9/29/2021

Continued on Page 2 Design parameters and read notes before use. This design is based only upon parameters shown, and is for an individual building component to be installed and loaded vertically. Applicability of design parameters and proper incorporation of component is responsibility of building designer – not truss designer or truss engineer. Bracing shown is for lateral support of individual web members only. Additional temporary bracing to ensure stability during construction is the responsibility of the erector. Additional permanent bracing of the overall structure is the responsibility of the building designer. For general guidance regarding fabrication, quality control, storage, delivery, erection and bracing, consult ANSI/TPI 1 National Design Standard for Metal Plate Connected Wood Truss Construction and BCSI 1-03 Guide to Good Practice for Handling, Installing & Bracing of Metal Plate Connected Wood Trusses from Truss Plate Institute, 583 D'Onofrio Drive, Madison, WI 53719.

Job	Truss	Truss Type	Qty	Ply	49786-0195 WOODGROVE FUQUAY VARINA, NC
21-5645-R01	R02B	Common	1	1	Job Reference (optional) # 28715

8.430 s Feb 12 2021 MiTek Industries, Inc. Thu Sep 30 15:55:48 2021 Page 2

ID:9CcuJl7eSaUnzH5X3uf?lgz6QyZ-nihVEBfsoFjHkswlvfAR601d?qM8xYr217ZnMQyYPUv

- 12) Graphical bracing representation does not depict the size, type or the orientation of the brace on the member. Symbol only indicates that the member must be braced.
- 13) Bearing symbols are only graphical representations of a possible bearing condition. Bearing symbols are not considered in the structural design of the truss to support the loads indicated.
- 14) Web bracing shown is for lateral support of individual web members only. Refer to BCSI - Guide to Good Practice for Handling, Installing, Restraining & Bracing of Metal Plate Connected Wood Trusses for additional bracing guidelines, including diagonal bracing.
- 15) SEE BCSI-B3 SUMMARY SHEET- PERMANENT RESTRAING/BRACING OF CHORDS & WEB MEMBERS FOR RECOMMENDED MINIMUM BRACING REQUIREMENTS OF TOP CHORD, BOTTOM CHORD, AND WEB PLANES. IN ADDITION TO THESE MINIMUM GUIDELINES, ALWAYS CONSULT THE PROJECT ARCHITECT OR ENGINEER FOR ADDITIONAL BRACING CONSIDERATIONS.

LOAD CASE(S) Standard

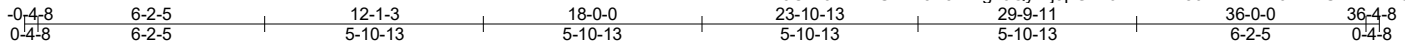


9/29/2021

Warning !—Verify design parameters and read notes before use. This design is based only upon parameters shown, and is for an individual building component to be installed and loaded vertically. Applicability of design parameters and proper incorporation of component is responsibility of building designer – not truss designer or truss engineer. Bracing shown is for lateral support of individual web members only. Additional temporary bracing to ensure stability during construction is the responsibility of the erector. Additional permanent bracing of the overall structure is the responsibility of the building designer. For general guidance regarding fabrication, quality control, storage, delivery, erection and bracing, consult ANSI/TPI 1 *National Design Standard for Metal Plate Connected Wood Truss Construction* and BCSI 1-03 *Guide to Good Practice for Handling, Installing & Bracing of Metal Plate Connected Wood Trusses* from Truss Plate Institute, 583 D'Onofrio Drive, Madison, WI 53719.

Job 21-5645-R01	Truss R03	Truss Type Common	Qty 5	Ply 1	49786-0195 WOODGROVE FUQUAY VARINA, NC	# 28715
--------------------	--------------	----------------------	----------	----------	--	---------

8.430 s Feb 12 2021 MiTek Industries, Inc. Thu Sep 30 15:55:50 2021 Page 1
 ID:9CcuJl7eSaUnzH5X3uf?lgz6QyZ-j5pGfh6Ktz?zA4804DvBR7zJe?iPUitKVR2uQJyYPuT



Scale = 1:62.5

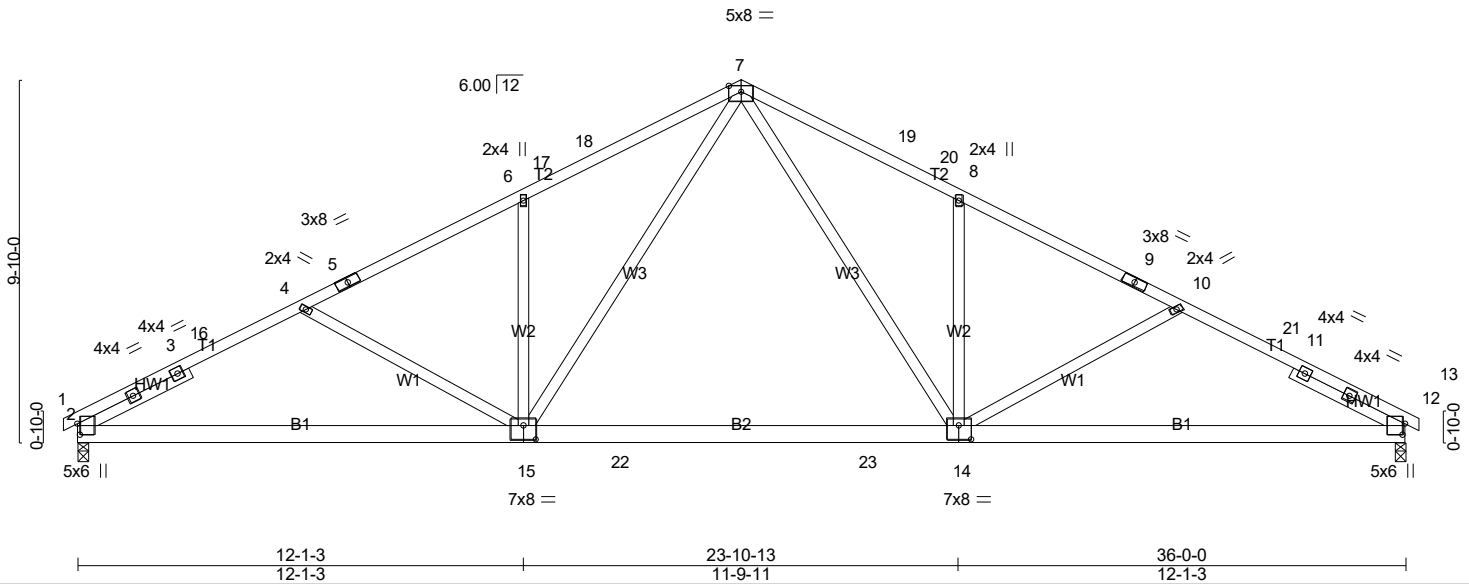


Plate Offsets (X,Y)-- [2:0-3-9,0-0-13], [12:0-3-9,0-0-13], [14:0-4-0,0-0-4-8], [15:0-4-0,0-0-4-8]

LOADING (psf)	SPACING-	CSI.	DEFL.	PLATES	GRIP
TCLL (roof) 20.0	2-0-0	TC 0.78	in (loc) l/defl L/d	MT20	244/190
Snow (Pf) 20.0	Plate Grip DOL 1.15	BC 0.91	Vert(LL) -0.43 14-15 >999 240		
TCDL 10.0	Lumber DOL 1.15	WB 0.44	Vert(CT) -0.60 14-15 >722 180		
BCLL 0.0 *	Rep Stress Incr YES	Matrix-SH	Horz(CT) 0.07 12 n/a n/a		
BCDL 10.0	Code IRC2018/TPI2014			Weight: 226 lb	FT = 20%

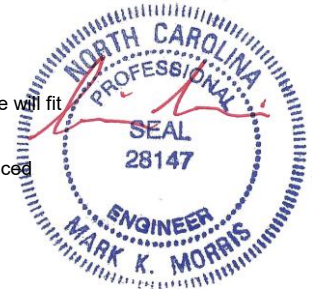
LUMBER-
 TOP CHORD 2x4 SP No.2
 BOT CHORD 2x6 SP No.2
 WEBS 2x4 SP No.3
 SLIDER Left 2x4 SP No.3 - 3-4-12, Right 2x4 SP No.3 - 3-4-12

BRACING-
 TOP CHORD Structural wood sheathing directly applied or 2-2-0 oc purlins.
 BOT CHORD Rigid ceiling directly applied or 10-0-0 oc bracing.
 MiTek recommends that Stabilizers and required cross bracing be installed during truss erection, in accordance with Stabilizer Installation guide.

REACTIONS. (lb/size) 2=1463/0-3-8 (min. 0-1-12), 12=1463/0-3-8 (min. 0-1-12)
 Max Horz 2=-112(LC 19)
 Max Uplift 2=-84(LC 14), 12=-84(LC 15)

FORCES. (lb) - Max. Comp./Max. Ten. - All forces 250 (lb) or less except when shown.
 TOP CHORD 2-3=-2466/178, 3-16=-2388/193, 4-16=-2374/204, 4-5=-2225/159, 5-6=-2168/180,
 6-17=-2241/242, 17-18=-2224/248, 7-18=-2168/266, 7-19=-2168/266, 19-20=-2224/248,
 8-20=-2241/242, 8-9=-2168/180, 9-10=-2225/159, 10-21=-2374/204, 11-21=-2388/193,
 11-12=-2466/178
 BOT CHORD 2-15=-199/2086, 15-22=-7/1414, 22-23=-7/1414, 14-23=-7/1414, 12-14=-123/2086
 WEBS 7-14=-139/1070, 8-14=-497/167, 10-14=-284/143, 7-15=-139/1070, 6-15=-497/167,
 4-15=-284/143

- NOTES-** (10-13)
- Unbalanced roof live loads have been considered for this design.
 - Wind: ASCE 7-16; Vult=115mph (3-second gust) Vasd=91mph; TCCL=5.0psf; BCDL=5.0psf; h=24ft; Cat. II; Exp B; Enclosed; MWFRS (envelope) gable end zone and C-C Exterior(2E) -0-4-8 to 3-7-2, Interior(1) 3-7-2 to 14-0-6, Exterior(2R) 14-0-6 to 21-11-10, Interior(1) 21-11-10 to 32-4-14, Exterior(2E) 32-4-14 to 36-4-8 zone; C-C for members and forces & MWFRS for reactions shown; Lumber DOL=1.60 plate grip DOL=1.60
 - TCLL: ASCE 7-16; Pr=20.0 psf (roof LL: Lum DOL=1.15 Plate DOL=1.15); Pf=20.0 psf (Lum DOL=1.15 Plate DOL=1.15); Is=1.0; Rough Cat B; Partially Exp.; Ce=1.0; Cs=1.00; Ct=1.10
 - Unbalanced snow loads have been considered for this design.
 - This truss has been designed for greater of min roof live load of 12.0 psf or 2.00 times flat roof load of 20.0 psf on overhangs non-concurrent with other live loads.
 - This truss has been designed for a 10.0 psf bottom chord live load nonconcurrent with any other live loads.
 - * This truss has been designed for a live load of 30.0psf on the bottom chord in all areas where a rectangle 3-6-0 tall by 1-0-0 wide will fit between the bottom chord and any other members, with BCDL = 10.0psf.
 - Provide mechanical connection (by others) of truss to bearing plate capable of withstanding 100 lb uplift at joint(s) 2, 12.
 - This truss is designed in accordance with the 2018 International Residential Code sections R502.11.1 and R802.10.2 and referenced standard ANSI/TPI 1.



9/29/2021

Continued on page 2
 Design parameters and read notes before use. This design is based only upon parameters shown, and is for an individual building component to be installed and loaded vertically. Applicability of design parameters and proper incorporation of component is responsibility of building designer – not truss designer or truss engineer. Bracing shown is for lateral support of individual web members only. Additional temporary bracing to ensure stability during construction is the responsibility of the erector. Additional permanent bracing of the overall structure is the responsibility of the building designer. For general guidance regarding fabrication, quality control, storage, delivery, erection and bracing, consult ANSI/TPI 1 National Design Standard for Metal Plate Connected Wood Truss Construction and BCSI 1-03 Guide to Good Practice for Handling, Installing & Bracing of Metal Plate Connected Wood Trusses from Truss Plate Institute, 583 D'Onofrio Drive, Madison, WI 53719.

Job	Truss	Truss Type	Qty	Ply	49786-0195 WOODGROVE FUQUAY VARINA, NC
21-5645-R01	R03	Common	5	1	Job Reference (optional) # 28715

8.430 s Feb 12 2021 MiTek Industries, Inc. Thu Sep 30 15:55:51 2021 Page 2
 ID:9CcuJl7eSaUnzH5X3uf?lgz6QyZ-BHNetDik4A5sbKfKaok8kef832L68x7Uj5nRzlyYPU

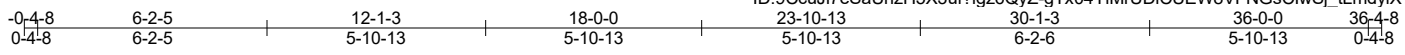
- 10) Graphical bracing representation does not depict the size, type or the orientation of the brace on the member. Symbol only indicates that the member must be braced.
- 11) Bearing symbols are only graphical representations of a possible bearing condition. Bearing symbols are not considered in the structural design of the truss to support the loads indicated.
- 12) Web bracing shown is for lateral support of individual web members only. Refer to BCSI - Guide to Good Practice for Handling, Installing, Restraining & Bracing of Metal Plate Connected Wood Trusses for additional bracing guidelines, including diagonal bracing.
- 13) SEE BCSI-B3 SUMMARY SHEET- PERMANENT RESTRAING/BRACING OF CHORDS & WEB MEMBERS FOR RECOMMENDED MINIMUM BRACING REQUIREMENTS OF TOP CHORD, BOTTOM CHORD, AND WEB PLANES. IN ADDITION TO THESE MINIMUM GUIDELINES, ALWAYS CONSULT THE PROJECT ARCHITECT OR ENGINEER FOR ADDITIONAL BRACING CONSIDERATIONS.

LOAD CASE(S) Standard



9/29/2021

Warning !—Verify design parameters and read notes before use. This design is based only upon parameters shown, and is for an individual building component to be installed and loaded vertically. Applicability of design parameters and proper incorporation of component is responsibility of building designer – not truss designer or truss engineer. Bracing shown is for lateral support of individual web members only. Additional temporary bracing to ensure stability during construction is the responsibility of the erector. Additional permanent bracing of the overall structure is the responsibility of the building designer. For general guidance regarding fabrication, quality control, storage, delivery, erection and bracing, consult ANSI/TPI 1 *National Design Standard for Metal Plate Connected Wood Truss Construction* and BCSI 1-03 *Guide to Good Practice for Handling, Installing & Bracing of Metal Plate Connected Wood Trusses* from Truss Plate Institute, 583 D'Onofrio Drive, Madison, WI 53719.



Scale = 1:62.4

Plate Offsets (X,Y)-- [14:0-4-0,0-5-0], [21:0-4-0,0-5-0]					
LOADING (psf)	SPACING	CSI.	DEFL.	PLATES	GRIP
TCLL (roof) 20.0	2-0-0	TC 0.83	in (loc) l/defl L/d	MT20	244/190
Snow (Pf) 20.0	Plate Grip DOL 1.15	BC 0.74	Vert(LL) -0.55 15-19 >779 240		
TCDL 10.0	Lumber DOL 1.15	WB 0.61	Vert(CT) -0.83 15-19 >522 180		
BCLL 0.0 *	Rep Stress Incr YES	Matrix-SH	Horz(CT) 0.07 12 n/a n/a		
BCDL 10.0	Code IRC2018/TPI2014				Weight: 243 lb FT = 20%

<p>LUMBER-</p> <p>TOP CHORD 2x4 SP No.2 *Except* T1: 2x4 SP No.1</p> <p>BOT CHORD 2x6 SP No.1 *Except* B2: 2x6 SP DSS, B3: 2x4 SP No.2</p> <p>WEBS 2x4 SP No.3</p> <p>SLIDER Left 2x4 SP No.3 - 3-4-12, Right 2x4 SP No.3 - 3-2-12</p>	<p>BRACING-</p> <p>TOP CHORD Structural wood sheathing directly applied or 2-2-0 oc purlins.</p> <p>BOT CHORD Rigid ceiling directly applied or 9-5-9 oc bracing. Except: 6-0-0 oc bracing: 16-20</p> <div style="border: 1px solid black; padding: 5px; margin-top: 10px;"> <p>MiTek recommends that Stabilizers and required cross bracing be installed during truss erection, in accordance with Stabilizer Installation guide.</p> </div>
---	--

REACTIONS. (lb/size) 2=1571/0-3-8 (min. 0-1-15), 12=1571/0-3-8 (min. 0-1-15)
 Max Horz 2=-112(LC 19)
 Max Uplift 2=-30(LC 14), 12=-30(LC 15)
 Max Grav 2=1650(LC 3), 12=1650(LC 3)

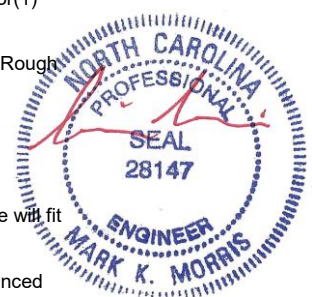
FORCES. (lb) - Max. Comp./Max. Ten. - All forces 250 (lb) or less except when shown.

TOP CHORD 2-3=-2930/65, 3-22=-2851/79, 4-22=-2836/91, 4-5=-2700/35, 5-6=-2660/60,
 6-23=-2734/120, 23-24=-2716/127, 7-24=-2660/144, 7-25=-2660/145, 25-26=-2718/127,
 8-26=-2735/121, 8-9=-2660/59, 9-10=-2704/33, 10-27=-2838/94, 11-27=-2856/83,
 11-12=-2930/69

BOT CHORD 2-21=-102/2485, 21-28=0/1746, 28-29=0/1746, 19-29=0/1746, 15-19=0/1746, 15-30=0/1746,
 14-30=0/1746, 12-14=-31/2487

WEBS 4-21=-262/156, 6-21=-500/165, 20-21=-103/1237, 7-20=-75/1329, 7-16=-76/1331,
 14-16=-103/1238, 8-14=-510/170, 10-14=-268/162

- NOTES-** (11-14)
- 1) Unbalanced roof live loads have been considered for this design.
 - 2) Wind: ASCE 7-16; Vult=115mph (3-second gust) Vasd=91mph; TC DL=5.0psf; BCDL=5.0psf; h=24ft; Cat. II; Exp B; Enclosed; MWF RS (envelope) gable end zone and C-C Exterior(2E) -0-4-8 to 3-7-2, Interior(1) 3-7-2 to 14-0-6, Exterior(2R) 14-0-6 to 21-11-10, Interior(1) 21-11-10 to 32-4-14, Exterior(2E) 32-4-14 to 36-4-8 zone; C-C for members and forces & MWF RS for reactions shown; Lumber DOL=1.60 plate grip DOL=1.60
 - 3) TCLL: ASCE 7-16; Pr=20.0 psf (roof LL: Lum DOL=1.15 Plate DOL=1.15); Pf=20.0 psf (Lum DOL=1.15 Plate DOL=1.15); Is=1.0; Rough Cat B; Partially Exp.; Ce=1.0; Cs=1.00; Ct=1.10
 - 4) Unbalanced snow loads have been considered for this design.
 - 5) This truss has been designed for greater of min roof live load of 12.0 psf or 2.00 times flat roof load of 20.0 psf on overhangs non-concurrent with other live loads.
 - 6) All plates are 2x4 MT20 unless otherwise indicated.
 - 7) This truss has been designed for a 10.0 psf bottom chord live load nonconcurrent with any other live loads.
 - 8) * This truss has been designed for a live load of 30.0psf on the bottom chord in all areas where a rectangle 3-6-0 tall by 1-0-0 wide will fit between the bottom chord and any other members, with BCDL = 10.0psf.
 - 9) Provide mechanical connection (by others) of truss to bearing plate capable of withstanding 100 lb uplift at joint(s) 2, 12.
 - 10) This truss is designed in accordance with the 2018 International Residential Code sections R502.11.1 and R802.10.2 and referenced standard ANSI/TPI 1.



9/29/2021

Continued on Page 2 Design parameters and read notes before use. This design is based only upon parameters shown, and is for an individual building component to be installed and loaded vertically. Applicability of design parameters and proper incorporation of component is responsibility of building designer – not truss designer or truss engineer. Bracing shown is for lateral support of individual web members only. Additional temporary bracing to ensure stability during construction is the responsibility of the erector. Additional permanent bracing of the overall structure is the responsibility of the building designer. For general guidance regarding fabrication, quality control, storage, delivery, erection and bracing, consult ANSI/TPI 1 *National Design Standard for Metal Plate Connected Wood Truss Construction* and BCSI 1-03 *Guide to Good Practice for Handling, Installing & Bracing of Metal Plate Connected Wood Trusses* from Truss Plate Institute, 583 D'Onofrio Drive, Madison, WI 53719.

Job	Truss	Truss Type	Qty	Ply	49786-0195 WOODGROVE FUQUAY VARINA, NC
21-5645-R01	R03B	COMMON	4	1	Job Reference (optional) # 28715

8.430 s Feb 12 2021 MiTek Industries, Inc. Thu Sep 30 15:55:53 2021 Page 2
 ID:9CcuJl7eSaUnzH5X3uf?lgz6QyZ-8fV/OHuj?coLZqdojiDmcp3ITfr3Dco?nBPGY1dyYPUq

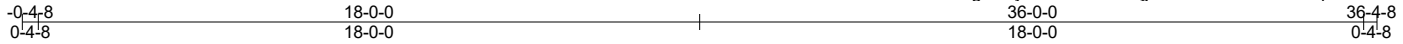
- 11) Graphical bracing representation does not depict the size, type or the orientation of the brace on the member. Symbol only indicates that the member must be braced.
- 12) Bearing symbols are only graphical representations of a possible bearing condition. Bearing symbols are not considered in the structural design of the truss to support the loads indicated.
- 13) Web bracing shown is for lateral support of individual web members only. Refer to BCSI - Guide to Good Practice for Handling, Installing, Restraining & Bracing of Metal Plate Connected Wood Trusses for additional bracing guidelines, including diagonal bracing.
- 14) SEE BCSI-B3 SUMMARY SHEET- PERMANENT RESTRAING/BRACING OF CHORDS & WEB MEMBERS FOR RECOMMENDED MINIMUM BRACING REQUIREMENTS OF TOP CHORD, BOTTOM CHORD, AND WEB PLANES. IN ADDITION TO THESE MINIMUM GUIDELINES, ALWAYS CONSULT THE PROJECT ARCHITECT OR ENGINEER FOR ADDITIONAL BRACING CONSIDERATIONS.

LOAD CASE(S) Standard



9/29/2021

Warning !—Verify design parameters and read notes before use. This design is based only upon parameters shown, and is for an individual building component to be installed and loaded vertically. Applicability of design parameters and proper incorporation of component is responsibility of building designer – not truss designer or truss engineer. Bracing shown is for lateral support of individual web members only. Additional temporary bracing to ensure stability during construction is the responsibility of the erector. Additional permanent bracing of the overall structure is the responsibility of the building designer. For general guidance regarding fabrication, quality control, storage, delivery, erection and bracing, consult ANSI/TPI 1 *National Design Standard for Metal Plate Connected Wood Truss Construction* and BCSI 1-03 *Guide to Good Practice for Handling, Installing & Bracing of Metal Plate Connected Wood Trusses* from Truss Plate Institute, 583 D'Onofrio Drive, Madison, WI 53719.



Scale = 1:62.5

LOADING (psf)	TCLL (roof) 20.0	SPACING-	2-0-0	CSI.		DEFL.		PLATES	GRIP
	Snow (Pf) 20.0	Plate Grip DOL	1.15	TC	0.10	Vert(LL)	0.00 30 n/r 180	MT20	244/190
	TCDL 10.0	Lumber DOL	1.15	BC	0.09	Vert(CT)	0.00 30 n/r 80		
	BCLL 0.0 *	Rep Stress Incr	YES	WB	0.14	Horz(CT)	0.01 32 n/a n/a		
	BCDL 10.0	Code IRC2018/TPI2014		Matrix-SH					
								Weight: 309 lb FT = 20%	

LUMBER-
 TOP CHORD 2x4 SP No.2
 BOT CHORD 2x4 SP No.3
 WEBS 2x4 SP No.3
 OTHERS 2x4 SP No.3

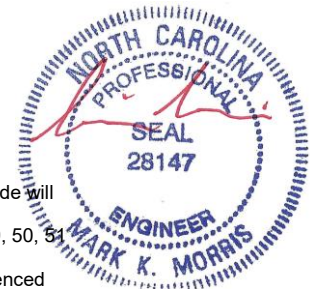
BRACING-
 TOP CHORD Structural wood sheathing directly applied or 6-0-0 oc purlins, except end verticals.
 BOT CHORD Rigid ceiling directly applied or 10-0-0 oc bracing, Except: 6-0-0 oc bracing: 33-34,32-33.
 WEBS 1 Row at midpt 16-46, 15-47, 14-49, 17-45, 18-43

MiTek recommends that Stabilizers and required cross bracing be installed during truss erection, in accordance with Stabilizer Installation guide.

REACTIONS. All bearings 36-0-0.
 (lb) - Max Horz 60=112(LC 18)
 Max Uplift All uplift 100 lb or less at joint(s) 60, 32, 47, 49, 50, 51, 52, 53, 54, 55, 56, 57, 58, 59, 45, 43, 42, 41, 40, 39, 38, 37, 36, 35 except 34=106(LC 15)
 Max Grav All reactions 250 lb or less at joint(s) 60, 32, 46, 47, 49, 50, 51, 52, 53, 54, 55, 56, 57, 58, 59, 45, 43, 42, 41, 40, 39, 38, 37, 36, 35, 34, 33

FORCES. (lb) - Max. Comp./Max. Ten. - All forces 250 (lb) or less except when shown.

- NOTES-** (15-18)
- Unbalanced roof live loads have been considered for this design.
 - Wind: ASCE 7-16; Vult=115mph (3-second gust) Vasd=91mph; TCDL=5.0psf; BCDL=5.0psf; h=24ft; Cat. II; Exp B; Enclosed; MWFRS (envelope) gable end zone and C-C Corner(3E) -0-4-8 to 3-4-0, Exterior(2N) 3-4-0 to 14-0-0, Corner(3R) 14-0-0 to 22-0-0, Exterior(2N) 22-0-0 to 32-4-14, Corner(3E) 32-4-14 to 36-4-8 zone;C-C for members and forces & MWFRS for reactions shown; Lumber DOL=1.60 plate grip DOL=1.60
 - Truss designed for wind loads in the plane of the truss only. For studs exposed to wind (normal to the face), see Standard Industry Gable End Details as applicable, or consult qualified building designer as per ANSI/TPI 1.
 - TCLL: ASCE 7-16; Pr=20.0 psf (roof LL: Lum DOL=1.15 Plate DOL=1.15); Pf=20.0 psf (Lum DOL=1.15 Plate DOL=1.15); Is=1.0; Rough Cat B; Partially Exp.; Ce=1.0; Cs=1.00; Ct=1.10
 - Unbalanced snow loads have been considered for this design.
 - This truss has been designed for greater of min roof live load of 12.0 psf or 2.00 times flat roof load of 20.0 psf on overhangs non-concurrent with other live loads.
 - All plates are 2x4 MT20 unless otherwise indicated.
 - Gable requires continuous bottom chord bearing.
 - Truss to be fully sheathed from one face or securely braced against lateral movement (i.e. diagonal web).
 - Gable studs spaced at 1-4-0 oc.
 - This truss has been designed for a 10.0 psf bottom chord live load nonconcurrent with any other live loads.
 - * This truss has been designed for a live load of 30.0psf on the bottom chord in all areas where a rectangle 3-6-0 tall by 1-0-0 wide will fit between the bottom chord and any other members, with BCDL = 10.0psf.
 - Provide mechanical connection (by others) of truss to bearing plate capable of withstanding 100 lb uplift at joint(s) 60, 32, 47, 49, 50, 51, 52, 53, 54, 55, 56, 57, 58, 59, 45, 43, 42, 41, 40, 39, 38, 37, 36, 35 except (jt=lb) 34=106.
 - This truss is designed in accordance with the 2018 International Residential Code sections R502.11.1 and R802.10.2 and referenced standard ANSI/TPI 1.



9/29/2021

Continued on Page 2 Design parameters and read notes before use. This design is based only upon parameters shown, and is for an individual building component to be installed and loaded vertically. Applicability of design parameters and proper incorporation of component is responsibility of building designer – not truss designer or truss engineer. Bracing shown is for lateral support of individual web members only. Additional temporary bracing to ensure stability during construction is the responsibility of the erector. Additional permanent bracing of the overall structure is the responsibility of the building designer. For general guidance regarding fabrication, quality control, storage, delivery, erection and bracing, consult ANSI/TPI 1 *National Design Standard for Metal Plate Connected Wood Truss Construction* and BCSI 1-03 *Guide to Good Practice for Handling, Installing & Bracing of Metal Plate Connected Wood Trusses* from Truss Plate Institute, 583 D'Onofrio Drive, Madison, WI 53719.

Job	Truss	Truss Type	Qty	Ply	49786-0195 WOODGROVE FUQUAY VARINA, NC
21-5645-R01	R04	GABLE	1	1	Job Reference (optional) # 28715

8.430 s Feb 12 2021 MiTek Industries, Inc. Thu Sep 30 15:55:58 2021 Page 2
 ID:9CcuJl7eSaUnzH5X3uf?lgz6QyZ-UdIHcn7RKzswPhgUmMnW7SVrsxYHAeWKh_JiryYPU

- 15) Graphical bracing representation does not depict the size, type or the orientation of the brace on the member. Symbol only indicates that the member must be braced.
- 16) Bearing symbols are only graphical representations of a possible bearing condition. Bearing symbols are not considered in the structural design of the truss to support the loads indicated.
- 17) Web bracing shown is for lateral support of individual web members only. Refer to BCSI - Guide to Good Practice for Handling, Installing, Restraining & Bracing of Metal Plate Connected Wood Trusses for additional bracing guidelines, including diagonal bracing.
- 18) SEE BCSI-B3 SUMMARY SHEET- PERMANENT RESTRAING/BRACING OF CHORDS & WEB MEMBERS FOR RECOMMENDED MINIMUM BRACING REQUIREMENTS OF TOP CHORD, BOTTOM CHORD, AND WEB PLANES. IN ADDITION TO THESE MINIMUM GUIDELINES, ALWAYS CONSULT THE PROJECT ARCHITECT OR ENGINEER FOR ADDITIONAL BRACING CONSIDERATIONS.

LOAD CASE(S) Standard



9/29/2021

Warning !—Verify design parameters and read notes before use. This design is based only upon parameters shown, and is for an individual building component to be installed and loaded vertically. Applicability of design parameters and proper incorporation of component is responsibility of building designer – not truss designer or truss engineer. Bracing shown is for lateral support of individual web members only. Additional temporary bracing to ensure stability during construction is the responsibility of the erector. Additional permanent bracing of the overall structure is the responsibility of the building designer. For general guidance regarding fabrication, quality control, storage, delivery, erection and bracing, consult ANSI/TPI 1 *National Design Standard for Metal Plate Connected Wood Truss Construction* and BCSI 1-03 *Guide to Good Practice for Handling, Installing & Bracing of Metal Plate Connected Wood Trusses* from Truss Plate Institute, 583 D'Onofrio Drive, Madison, WI 53719.

Job 21-5645-R01	Truss R05	Truss Type GABLE	Qty 1	Ply 2	49786-0195 WOODGROVE FUQUAY VARINA, NC	# 28715
--------------------	--------------	---------------------	----------	----------	--	---------

8.430 s Feb 12 2021 MiTek Industries, Inc. Thu Sep 30 15:56:02 2021 Page 1
 ID:9CcuJl7eSaUnzH5X3uf?lgz6QyZ-NOYoAzqeVZTIP0?RjcQjgzd15U6ODpQ6FlyXrcyYPUh



Scale = 1:48.7

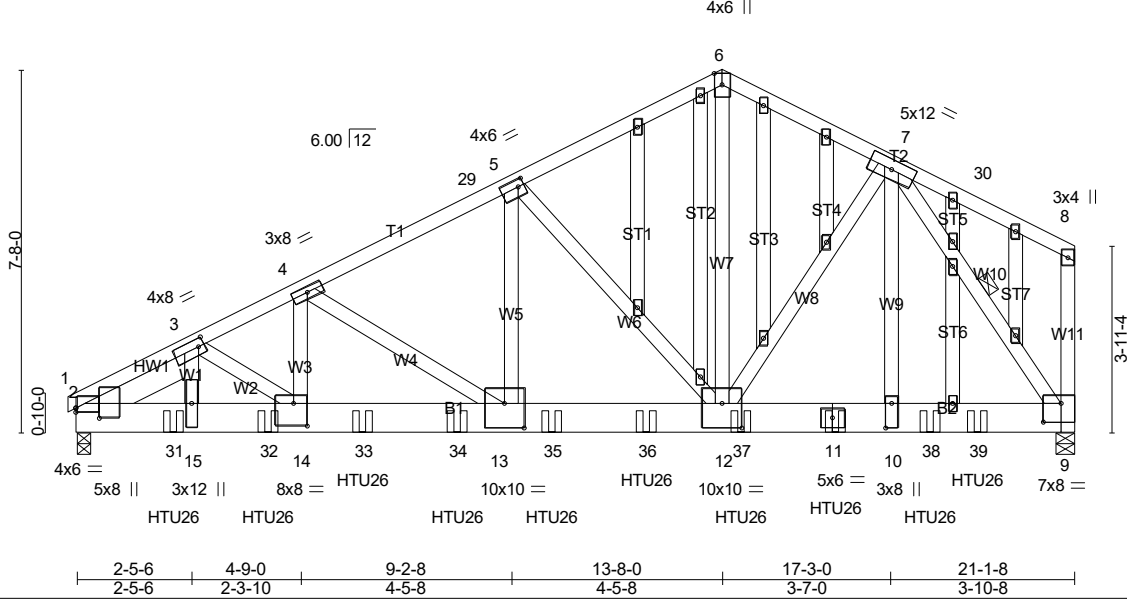


Plate Offsets (X,Y)--	[2:0-0-0,0-1-1], [2:0-2-9,0-6-0], [3:0-1-8,0-2-0], [5:0-1-8,0-1-12], [9:0-4-8,0-4-12], [10:0-6-4,0-1-8], [12:0-5-0,0-6-4], [13:0-5-0,0-6-4], [14:0-3-8,0-5-12]
-----------------------	--

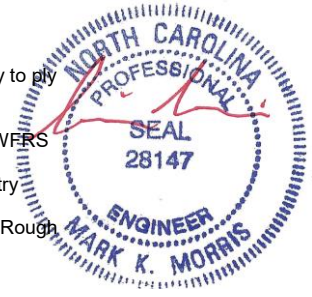
LOADING (psf)		SPACING	2-0-0	CSI		DEFL.	in (loc)	l/defl	L/d	PLATES	GRIP
TCLL (roof)	20.0	Plate Grip DOL	1.15	TC	0.72	Vert(LL)	-0.11 13-14	>999	240	MT20	244/190
Snow (Pf)	20.0	Lumber DOL	1.15	BC	0.86	Vert(CT)	-0.22 13-14	>999	180		
TCDL	10.0	Rep Stress Incr	NO	WB	0.85	Horz(CT)	0.05 9	n/a	n/a		
BCLL	0.0 *	Code IRC2018/TPI2014		Matrix-SH							
BCDL	10.0									Weight: 430 lb	FT = 20%

LUMBER-		BRACING-	
TOP CHORD	2x4 SP No.1 *Except* T2: 2x4 SP No.2	TOP CHORD	Structural wood sheathing directly applied or 3-0-12 oc purlins, except end verticals.
BOT CHORD	2x8 SP DSS *Except* B2: 2x8 SP No.1	BOT CHORD	Rigid ceiling directly applied or 10-0-0 oc bracing.
WEBS	2x4 SP No.3 *Except* W5,W7,W11,W10: 2x4 SP No.2	WEBS	1 Row at midpt 7-9
OTHERS	2x4 SP No.3		
SLIDER	Left 2x6 SP No.2 - 2-4-5		

REACTIONS. (lb/size) 2=7642/0-3-14 (min. 0-3-14), 9=8234/0-5-0 (min. 0-2-6)
 Max Horz 2=145(LC 12)
 Max Uplift 2=-463(LC 12), 9=-436(LC 12)
 Max Grav 2=7688(LC 19), 9=8243(LC 20)

FORCES. (lb) - Max. Comp./Max. Ten. - All forces 250 (lb) or less except when shown.
 TOP CHORD 2-3=-12109/732, 3-4=-12130/749, 4-29=-10053/617, 5-29=-9954/627, 5-6=-6532/427, 6-7=-6438/440
 BOT CHORD 2-31=-718/9933, 15-31=-718/9933, 15-32=-718/9933, 14-32=-718/9933, 14-33=-754/10849, 33-34=-754/10849, 13-34=-754/10849, 13-35=-575/8702, 35-36=-575/8702, 12-36=-575/8702, 12-37=-278/4929, 11-37=-278/4929, 10-11=-278/4929, 10-38=-278/4929, 38-39=-278/4929, 9-39=-278/4929
 WEBS 4-14=-98/1974, 4-13=-2292/197, 5-13=-258/4523, 5-12=-4409/348, 6-12=-332/5454, 7-12=-118/1558, 7-10=-101/2856, 7-9=-8530/482, 3-14=-53/1114, 3-15=-40/763

- NOTES-** (17-20)
- 2-ply truss to be connected together with 10d (0.131"x3") nails as follows:
 Top chords connected as follows: 2x4 - 1 row at 0-7-0 oc.
 Bottom chords connected as follows: 2x8 - 2 rows staggered at 0-4-0 oc.
 Webs connected as follows: 2x4 - 1 row at 0-9-0 oc, Except member 3-15 2x4 - 1 row at 0-2-0 oc.
 - All loads are considered equally applied to all plies, except if noted as front (F) or back (B) face in the LOAD CASE(S) section. Ply to ply connections have been provided to distribute only loads noted as (F) or (B), unless otherwise indicated.
 - Unbalanced roof live loads have been considered for this design.
 - Wind: ASCE 7-16; Vult=115mph (3-second gust) Vasd=91mph; TCCL=5.0psf; BCCL=5.0psf; h=23ft; Cat. II; Exp B; Enclosed; MWFRS (envelope) gable end zone; Lumber DOL=1.60 plate grip DOL=1.60
 - Truss designed for wind loads in the plane of the truss only. For studs exposed to wind (normal to the face), see Standard Industry Gable End Details as applicable, or consult qualified building designer as per ANSI/TPI 1.
 - TCLL: ASCE 7-16; Pr=20.0 psf (roof LL: Lum DOL=1.15 Plate DOL=1.15); Pf=20.0 psf (Lum DOL=1.15 Plate DOL=1.15); Is=1.0; Rough Cat B; Partially Exp.; Ce=1.00; Cs=1.00; Ct=1.10
 - Unbalanced snow loads have been considered for this design.
 - All plates are 2x4 MT20 unless otherwise indicated.
 - Gable studs spaced at 1-4-0 oc.
 - This truss has been designed for a 10.0 psf bottom chord live load nonconcurrent with any other live loads.



9/29/2021

Continued on Page 2 Design parameters and read notes before use. This design is based only upon parameters shown, and is for an individual building component to be installed and loaded vertically. Applicability of design parameters and proper incorporation of component is responsibility of building designer - not truss designer or truss engineer. Bracing shown is for lateral support of individual web members only. Additional temporary bracing to ensure stability during construction is the responsibility of the erector. Additional permanent bracing of the overall structure is the responsibility of the building designer. For general guidance regarding fabrication, quality control, storage, delivery, erection and bracing, consult ANSI/TPI 1 National Design Standard for Metal Plate Connected Wood Truss Construction and BCSI 1-03 Guide to Good Practice for Handling, Installing & Bracing of Metal Plate Connected Wood Trusses from Truss Plate Institute, 583 D'Onofrio Drive, Madison, WI 53719.

Job	Truss	Truss Type	Qty	Ply	49786-0195 WOODGROVE FUQUAY VARINA, NC
21-5645-R01	R05	GABLE	1	2	Job Reference (optional) # 28715

8.430 s Feb 12 2021 MiTek Industries, Inc. Thu Sep 30 15:56:03 2021 Page 2
ID:9CcuJI7eSaUnzH5X3uf?lgz6QyZ-rb5AOJrGGsc91AZeHJyDA9CrtSdyGgFUyh4O2yYPUG

NOTES- (17-20)

- 11) * This truss has been designed for a live load of 30.0psf on the bottom chord in all areas where a rectangle 3-6-0 tall by 1-0-0 wide will fit between the bottom chord and any other members.
- 12) Bearing at joint(s) 9 considers parallel to grain value using ANSI/TPI 1 angle to grain formula. Building designer should verify capacity of bearing surface.
- 13) Provide mechanical connection (by others) of truss to bearing plate capable of withstanding 100 lb uplift at joint(s) except (jt=lb) 2=463, 9=436.
- 14) This truss is designed in accordance with the 2018 International Residential Code sections R502.11.1 and R802.10.2 and referenced standard ANSI/TPI 1.
- 15) Use Simpson Strong-Tie HTU26 (20-10d Girder, 11-10dx1 1/2 Truss, Single Ply Girder) or equivalent spaced at 2-0-0 oc max. starting at 2-0-12 from the left end to 19-0-12 to connect truss(es) R02 (1 ply 2x6 SP), R02B (1 ply 2x6 SP) to back face of bottom chord.
- 16) Fill all nail holes where hanger is in contact with lumber.
- 17) Graphical bracing representation does not depict the size, type or the orientation of the brace on the member. Symbol only indicates that the member must be braced.
- 18) Bearing symbols are only graphical representations of a possible bearing condition. Bearing symbols are not considered in the structural design of the truss to support the loads indicated.
- 19) Web bracing shown is for lateral support of individual web members only. Refer to BCSI - Guide to Good Practice for Handling, Installing, Restraining & Bracing of Metal Plate Connected Wood Trusses for additional bracing guidelines, including diagonal bracing.
- 20) SEE BCSI-B3 SUMMARY SHEET- PERMANENT RESTRAINING/BRACING OF CHORDS & WEB MEMBERS FOR RECOMMENDED MINIMUM BRACING REQUIREMENTS OF TOP CHORD, BOTTOM CHORD, AND WEB PLANES. IN ADDITION TO THESE MINIMUM GUIDELINES, ALWAYS CONSULT THE PROJECT ARCHITECT OR ENGINEER FOR ADDITIONAL BRACING CONSIDERATIONS.

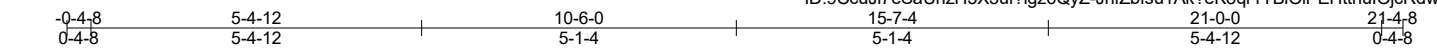
LOAD CASE(S) Standard

- 1) Dead + Snow (balanced): Lumber Increase=1.15, Plate Increase=1.15
 - Uniform Loads (plf)
 - Vert: 1-6=-60, 6-8=-60, 2-9=-20
 - Concentrated Loads (lb)
 - Vert: 11=-1408(B) 31=-1408(B) 32=-1408(B) 33=-1408(B) 34=-1408(B) 35=-1408(B) 36=-1408(B) 37=-1408(B) 38=-1408(B) 39=-1517(B)



9/29/2021

Warning !—Verify design parameters and read notes before use. This design is based only upon parameters shown, and is for an individual building component to be installed and loaded vertically. Applicability of design parameters and proper incorporation of component is responsibility of building designer – not truss designer or truss engineer. Bracing shown is for lateral support of individual web members only. Additional temporary bracing to ensure stability during construction is the responsibility of the erector. Additional permanent bracing of the overall structure is the responsibility of the building designer. For general guidance regarding fabrication, quality control, storage, delivery, erection and bracing, consult ANSI/TPI 1 *National Design Standard for Metal Plate Connected Wood Truss Construction* and BCSI 1-03 *Guide to Good Practice for Handling, Installing & Bracing of Metal Plate Connected Wood Trusses* from Truss Plate Institute, 583 D*Onofrio Drive, Madison, WI 53719.



Scale = 1:37.5

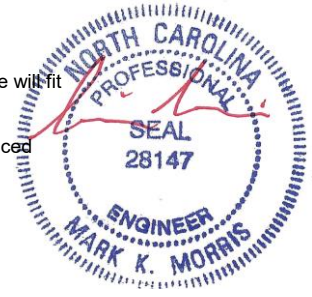
LOADING (psf)		SPACING		CSI		DEFL.		PLATES		GRIP		
TCLL (roof)	20.0	2-0-0	Plate Grip DOL	1.15	TC	0.62	Vert(LL)	-0.12 10-12	>999	240	MT20	244/190
Snow (Pf)	20.0	Lumber DOL	1.15	BC	0.54	Vert(CT)	-0.18 10-12	>999	180			
TCDL	10.0	Rep Stress Incr	YES	WB	0.19	Horz(CT)	0.03 8	n/a	n/a			
BCLL	0.0 *	Code IRC2018/TPI2014		Matrix-SH								
BCDL	10.0											Weight: 111 lb FT = 20%

LUMBER-	BRACING-
TOP CHORD 2x4 SP No.2	TOP CHORD Structural wood sheathing directly applied or 3-10-7 oc purlins.
BOT CHORD 2x4 SP No.2	BOT CHORD Rigid ceiling directly applied or 10-0-0 oc bracing.
WEBS 2x4 SP No.3	
SLIDER Left 2x6 SP No.2 - 3-0-8, Right 2x6 SP No.2 - 3-0-8	MiTek recommends that Stabilizers and required cross bracing be installed during truss erection, in accordance with Stabilizer Installation guide.

REACTIONS. (lb/size) 2=863/0-3-8 (min. 0-1-8), 8=863/0-3-8 (min. 0-1-8)
 Max Horz 2=-65(LC 15)
 Max Uplift 2=-44(LC 14), 8=-44(LC 15)
 Max Grav 2=897(LC 21), 8=897(LC 22)

FORCES. (lb) - Max. Comp./Max. Ten. - All forces 250 (lb) or less except when shown.
 TOP CHORD 2-3=-1390/225, 3-13=-1307/230, 4-13=-1248/241, 4-5=-1219/258, 5-6=-1219/258,
 6-14=-1248/241, 7-14=-1307/230, 7-8=-1390/225
 BOT CHORD 2-12=-139/1140, 12-15=-29/771, 15-16=-29/771, 11-16=-29/771, 10-11=-29/771,
 8-10=-139/1140
 WEBS 5-10=-73/461, 6-10=-305/149, 5-12=-73/461, 4-12=-305/149

- NOTES-** (10-13)
- 1) Unbalanced roof live loads have been considered for this design.
 - 2) Wind: ASCE 7-16; Vult=115mph (3-second gust) Vasd=91mph; TCCL=5.0psf; BCDL=5.0psf; h=22ft; Cat. II; Exp B; Enclosed; MWFRS (envelope) gable end zone and C-C Corner(3E) 0-4-8 to 3-7-2, Exterior(2N) 3-7-2 to 6-6-6, Corner(3R) 6-6-6 to 14-5-10, Exterior(2N) 14-5-10 to 17-4-14, Corner(3E) 17-4-14 to 21-4-8 zone; C-C for members and forces & MWFRS for reactions shown; Lumber DOL=1.60 plate grip DOL=1.60
 - 3) TCCL: ASCE 7-16; Pr=20.0 psf (roof LL: Lum DOL=1.15 Plate DOL=1.15); Pf=20.0 psf (Lum DOL=1.15 Plate DOL=1.15); Is=1.0; Rough Cat B; Partially Exp.; Ce=1.0; Cs=1.00; Ct=1.10
 - 4) Unbalanced snow loads have been considered for this design.
 - 5) This truss has been designed for greater of min roof live load of 12.0 psf or 2.00 times flat roof load of 20.0 psf on overhangs non-concurrent with other live loads.
 - 6) This truss has been designed for a 10.0 psf bottom chord live load nonconcurrent with any other live loads.
 - 7) * This truss has been designed for a live load of 30.0psf on the bottom chord in all areas where a rectangle 3-6-0 tall by 1-0-0 wide will fit between the bottom chord and any other members, with BCDL = 10.0psf.
 - 8) Provide mechanical connection (by others) of truss to bearing plate capable of withstanding 100 lb uplift at joint(s) 2, 8.
 - 9) This truss is designed in accordance with the 2018 International Residential Code sections R502.11.1 and R802.10.2 and referenced standard ANSI/TPI 1.



9/29/2021

Job	Truss	Truss Type	Qty	Ply	49786-0195 WOODGROVE FUQUAY VARINA, NC
21-5645-R01	R06	Common	1	1	Job Reference (optional) # 28715

8.430 s Feb 12 2021 MiTek Industries, Inc. Thu Sep 30 15:56:04 2021 Page 2
ID:9CcuJl7eSaUnzH5X3uf?lgz6QyZ-JnfZbfsu1Ak?eK8qr1TBiOiPEHthulOjcRdwVvyYPUf

- 10) Graphical bracing representation does not depict the size, type or the orientation of the brace on the member. Symbol only indicates that the member must be braced.
- 11) Bearing symbols are only graphical representations of a possible bearing condition. Bearing symbols are not considered in the structural design of the truss to support the loads indicated.
- 12) Web bracing shown is for lateral support of individual web members only. Refer to BCSI - Guide to Good Practice for Handling, Installing, Restraining & Bracing of Metal Plate Connected Wood Trusses for additional bracing guidelines, including diagonal bracing.
- 13) SEE BCSI-B3 SUMMARY SHEET- PERMANENT RESTRAING/BRACING OF CHORDS & WEB MEMBERS FOR RECOMMENDED MINIMUM BRACING REQUIREMENTS OF TOP CHORD, BOTTOM CHORD, AND WEB PLANES. IN ADDITION TO THESE MINIMUM GUIDELINES, ALWAYS CONSULT THE PROJECT ARCHITECT OR ENGINEER FOR ADDITIONAL BRACING CONSIDERATIONS.

LOAD CASE(S) Standard



9/29/2021

Warning !—Verify design parameters and read notes before use. This design is based only upon parameters shown, and is for an individual building component to be installed and loaded vertically. Applicability of design parameters and proper incorporation of component is responsibility of building designer – not truss designer or truss engineer. Bracing shown is for lateral support of individual web members only. Additional temporary bracing to ensure stability during construction is the responsibility of the erector. Additional permanent bracing of the overall structure is the responsibility of the building designer. For general guidance regarding fabrication, quality control, storage, delivery, erection and bracing, consult ANSI/TPI 1 *National Design Standard for Metal Plate Connected Wood Truss Construction* and BCSI 1-03 *Guide to Good Practice for Handling, Installing & Bracing of Metal Plate Connected Wood Trusses* from Truss Plate Institute, 583 D'Onofrio Drive, Madison, WI 53719.

Job 21-5645-R01	Truss R07	Truss Type GABLE	Qty 1	Ply 1	49786-0195 WOODGROVE FUQUAY VARINA, NC
					Job Reference (optional) # 28715

8.430 s Feb 12 2021 MiTek Industries, Inc. Thu Sep 30 15:56:06 2021 Page 1
ID:9CcuJl7eSaUnzH5X3uf?lgz6QyZ-FAnJ0L8Yn_judlDyRvfrpnuW5fn9pihAwwk_NyYPUD

-0-4-8 10-6-0 21-0-0 21-4-8
0-4-8 10-6-0 10-6-0 0-4-8

Scale = 1:38.4

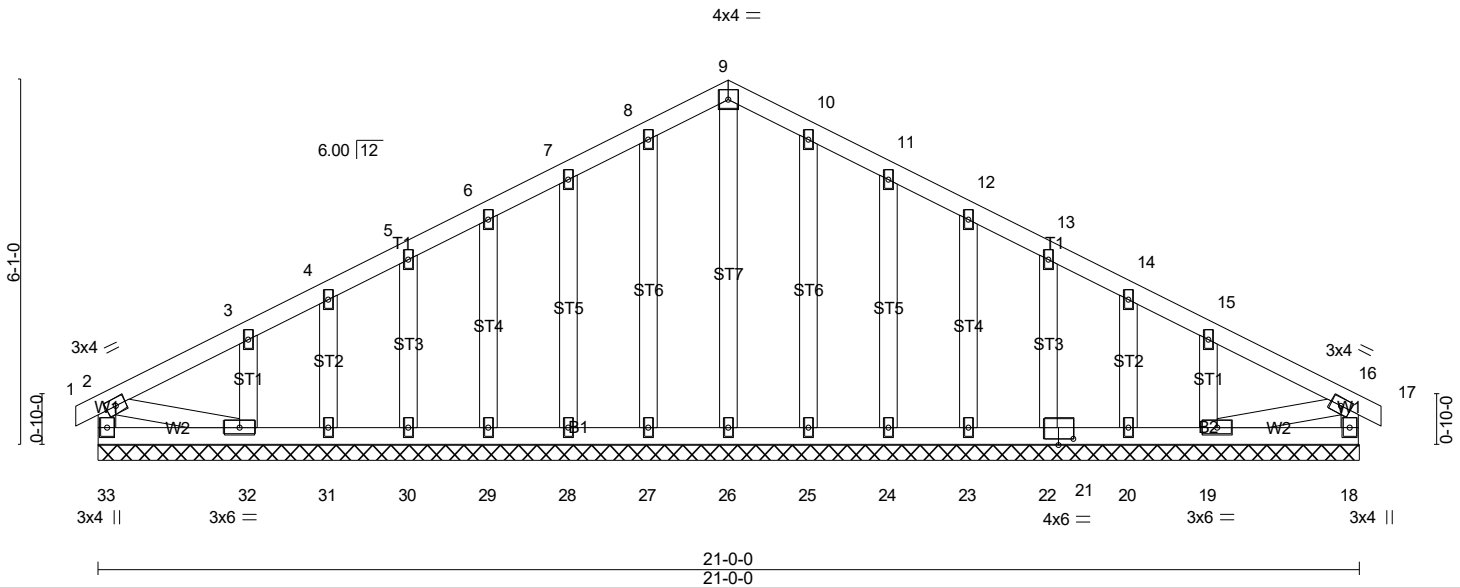


Plate Offsets (X,Y)-- [21:0-3-0,0-1-4]

LOADING (psf)	SPACING-	2-0-0	CSI.	DEFL.	in (loc)	l/defl	L/d	PLATES	GRIP
TCLL (roof) 20.0	Plate Grip DOL 1.15		TC 0.06	Vert(LL) 0.00	16	n/r	180	MT20	244/190
Snow (Pf) 20.0	Lumber DOL 1.15		BC 0.07	Vert(CT) 0.00	16	n/r	80		
TCDL 10.0	Rep Stress Incr YES		WB 0.07	Horz(CT) 0.00	19	n/a	n/a		
BCLL 0.0 *	Code IRC2018/TPI2014		Matrix-SH						
BCDL 10.0								Weight: 140 lb	FT = 20%

LUMBER-
TOP CHORD 2x4 SP No.2
BOT CHORD 2x4 SP No.3
WEBS 2x4 SP No.3
OTHERS 2x4 SP No.3

BRACING-
TOP CHORD Structural wood sheathing directly applied or 6-0-0 oc purlins, except end verticals.
BOT CHORD Rigid ceiling directly applied or 10-0-0 oc bracing.

MiTek recommends that Stabilizers and required cross bracing be installed during truss erection, in accordance with Stabilizer Installation guide.

REACTIONS. All bearings 21-0-0.
(lb) - Max Horz 33=-65(LC 15)
Max Uplift All uplift 100 lb or less at joint(s) 33, 27, 28, 29, 30, 31, 32, 25, 24, 23, 22, 20, 19
Max Grav All reactions 250 lb or less at joint(s) 33, 18, 26, 27, 28, 29, 30, 31, 32, 25, 24, 23, 22, 20, 19

FORCES. (lb) - Max. Comp./Max. Ten. - All forces 250 (lb) or less except when shown.

NOTES- (15-18)

- Unbalanced roof live loads have been considered for this design.
- Wind: ASCE 7-16; Vult=115mph (3-second gust) Vasd=91mph; TC DL=5.0psf; BCDL=5.0psf; h=22ft; Cat. II; Exp B; Enclosed; MWFRS (envelope) gable end zone and C-C Corner(3E) -0-4-8 to 3-10-0, Exterior(2N) 3-10-0 to 6-6-0, Corner(3R) 6-6-0 to 14-6-0, Exterior(2N) 14-6-0 to 17-2-0, Corner(3E) 17-2-0 to 21-4-8 zone; C-C for members and forces & MWFRS for reactions shown; Lumber DOL=1.60 plate grip DOL=1.60
- Truss designed for wind loads in the plane of the truss only. For studs exposed to wind (normal to the face), see Standard Industry Gable End Details as applicable, or consult qualified building designer as per ANSI/TPI 1.
- TCLL: ASCE 7-16; Pr=20.0 psf (roof LL: Lum DOL=1.15 Plate DOL=1.15); Pf=20.0 psf (Lum DOL=1.15 Plate DOL=1.15); Is=1.0; Rough Cat B; Partially Exp.; Ce=1.0; Cs=1.00; Ct=1.10
- Unbalanced snow loads have been considered for this design.
- This truss has been designed for greater of min roof live load of 12.0 psf or 2.00 times flat roof load of 20.0 psf on overhangs non-concurrent with other live loads.
- All plates are 2x4 MT20 unless otherwise indicated.
- Gable requires continuous bottom chord bearing.
- Truss to be fully sheathed from one face or securely braced against lateral movement (i.e. diagonal web).
- Gable studs spaced at 1-4-0 oc.
- This truss has been designed for a 10.0 psf bottom chord live load nonconcurrent with any other live loads.
- * This truss has been designed for a live load of 30.0psf on the bottom chord in all areas where a rectangle 3-6-0 tall by 1-0-0 wide will fit between the bottom chord and any other members, with BCDL = 10.0psf.
- Provide mechanical connection (by others) of truss to bearing plate capable of withstanding 100 lb uplift at joint(s) 33, 27, 28, 29, 30, 31, 32, 25, 24, 23, 22, 20, 19.
- This truss is designed in accordance with the 2018 International Residential Code sections R502.11.1 and R802.10.2 and referenced standard ANSI/TPI 1.



9/29/2021

Continued on Page 2 Design parameters and read notes before use. This design is based only upon parameters shown, and is for an individual building component to be installed and loaded vertically. Applicability of design parameters and proper incorporation of component is responsibility of building designer – not truss designer or truss engineer. Bracing shown is for lateral support of individual web members only. Additional temporary bracing to ensure stability during construction is the responsibility of the erector. Additional permanent bracing of the overall structure is the responsibility of the building designer. For general guidance regarding fabrication, quality control, storage, delivery, erection and bracing, consult ANSI/TPI 1 National Design Standard for Metal Plate Connected Wood Truss Construction and BCSI 1-03 Guide to Good Practice for Handling, Installing & Bracing of Metal Plate Connected Wood Trusses from Truss Plate Institute, 583 D'Onofrio Drive, Madison, WI 53719.

Job	Truss	Truss Type	Qty	Ply	49786-0195 WOODGROVE FUQUAY VARINA, NC
21-5645-R01	R07	GABLE	1	1	Job Reference (optional) # 28715

8.430 s Feb 12 2021 MiTek Industries, Inc. Thu Sep 30 15:56:07 2021 Page 2
 ID:9CcuJl7eSaUnzH5X3uf?lgz6QyZ-jMLhDhunJ56aWntPW90uN0K3GV??uGyrPafHXpyYPUc

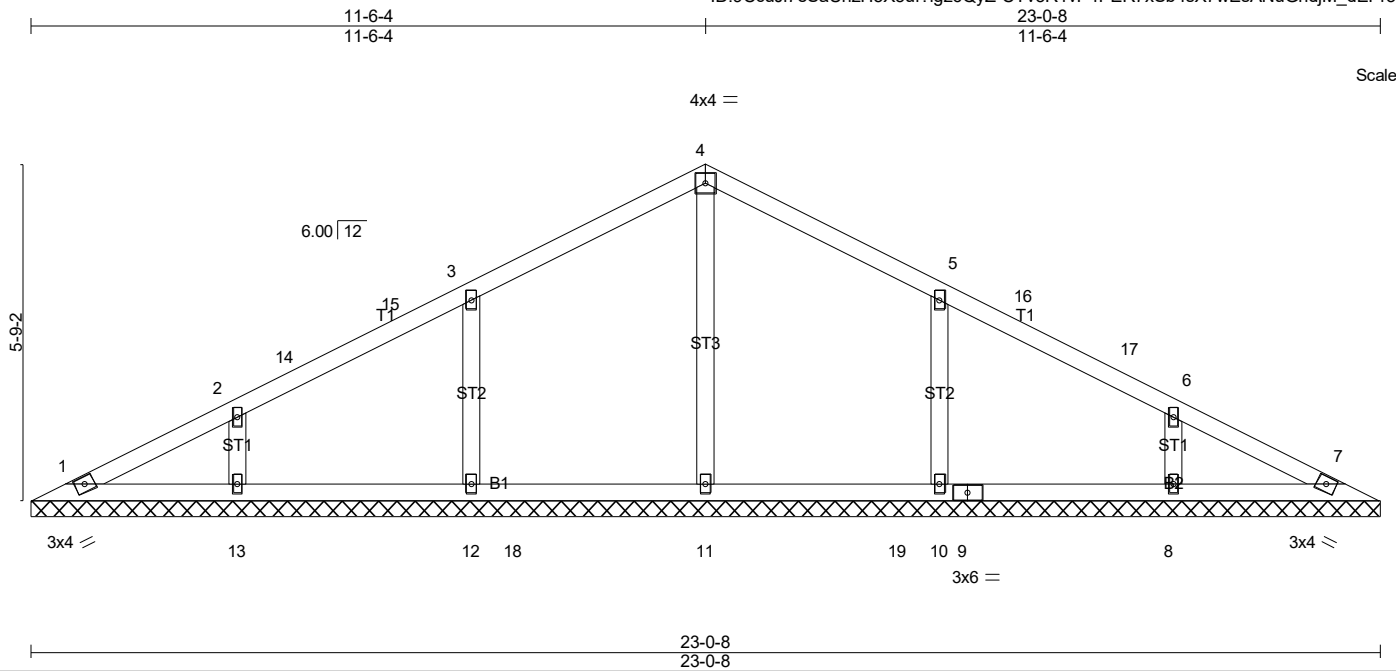
- 15) Graphical bracing representation does not depict the size, type or the orientation of the brace on the member. Symbol only indicates that the member must be braced.
- 16) Bearing symbols are only graphical representations of a possible bearing condition. Bearing symbols are not considered in the structural design of the truss to support the loads indicated.
- 17) Web bracing shown is for lateral support of individual web members only. Refer to BCSI - Guide to Good Practice for Handling, Installing, Restraining & Bracing of Metal Plate Connected Wood Trusses for additional bracing guidelines, including diagonal bracing.
- 18) SEE BCSI-B3 SUMMARY SHEET- PERMANENT RESTRAING/BRACING OF CHORDS & WEB MEMBERS FOR RECOMMENDED MINIMUM BRACING REQUIREMENTS OF TOP CHORD, BOTTOM CHORD, AND WEB PLANES. IN ADDITION TO THESE MINIMUM GUIDELINES, ALWAYS CONSULT THE PROJECT ARCHITECT OR ENGINEER FOR ADDITIONAL BRACING CONSIDERATIONS.

LOAD CASE(S) Standard



9/29/2021

Warning !—Verify design parameters and read notes before use. This design is based only upon parameters shown, and is for an individual building component to be installed and loaded vertically. Applicability of design parameters and proper incorporation of component is responsibility of building designer – not truss designer or truss engineer. Bracing shown is for lateral support of individual web members only. Additional temporary bracing to ensure stability during construction is the responsibility of the erector. Additional permanent bracing of the overall structure is the responsibility of the building designer. For general guidance regarding fabrication, quality control, storage, delivery, erection and bracing, consult ANSI/TPI 1 *National Design Standard for Metal Plate Connected Wood Truss Construction* and BCSI 1-03 *Guide to Good Practice for Handling, Installing & Bracing of Metal Plate Connected Wood Trusses* from Truss Plate Institute, 583 D'Onofrio Drive, Madison, WI 53719.



Scale = 1:39.4

LOADING (psf)	TCLL (roof) 20.0 Snow (Pf) 20.0 TCDL 10.0 BCLL 0.0 * BCDL 10.0	SPACING-	2-0-0 Plate Grip DOL 1.15 Lumber DOL 1.15 Rep Stress Incr YES Code IRC2018/TPI2014	CSI.	TC 0.29 BC 0.42 WB 0.12 Matrix-SH	DEFL.	in (loc) l/defl L/d Vert(LL) n/a - n/a 999 Vert(CT) n/a - n/a 999 Horz(CT) 0.00 7 n/a n/a	PLATES	GRIP
								MT20	244/190
								Weight: 91 lb	FT = 20%

LUMBER-
TOP CHORD 2x4 SP No.2
BOT CHORD 2x4 SP No.3
OTHERS 2x4 SP No.3

BRACING-
TOP CHORD
BOT CHORD

Structural wood sheathing directly applied or 6-0-0 oc purlins.
Rigid ceiling directly applied or 10-0-0 oc bracing.

MiTek recommends that Stabilizers and required cross bracing be installed during truss erection, in accordance with Stabilizer Installation guide.

REACTIONS. All bearings 23-0-8.
(lb) - Max Horz 1=66(LC 14)
Max Uplift All uplift 100 lb or less at joint(s) 1, 12, 13, 10, 8
Max Grav All reactions 250 lb or less at joint(s) 1, 7 except 11=449(LC 6), 12=459(LC 20), 13=302(LC 1), 10=459(LC 21), 8=302(LC 1)

FORCES. (lb) - Max. Comp./Max. Ten. - All forces 250 (lb) or less except when shown.
WEBS 3-12=-379/124, 5-10=-379/124

- NOTES-** (11-14)
- 1) Unbalanced roof live loads have been considered for this design.
 - 2) Wind: ASCE 7-16; Vult=115mph (3-second gust) Vasd=91mph; TCCL=5.0psf; BCDL=5.0psf; h=23ft; Cat. II; Exp B; Enclosed; MWFRS (envelope) gable end zone and C-C Corner(3E) 0-7-7 to 4-7-0, Exterior(2N) 4-7-0 to 7-6-4, Corner(3R) 7-6-4 to 15-6-4, Exterior(2N) 15-6-4 to 18-5-8, Corner(3E) 18-5-8 to 22-5-1 zone; C-C for members and forces & MWFRS for reactions shown; Lumber DOL=1.60 plate grip DOL=1.60
 - 3) TCLL: ASCE 7-16; Pr=20.0 psf (roof LL: Lum DOL=1.15 Plate DOL=1.15); Pf=20.0 psf (Lum DOL=1.15 Plate DOL=1.15); Is=1.0; Rough Cat B; Partially Exp.; Ce=1.0; Cs=1.00; Ct=1.10
 - 4) Unbalanced snow loads have been considered for this design.
 - 5) All plates are 2x4 MT20 unless otherwise indicated.
 - 6) Gable requires continuous bottom chord bearing.
 - 7) This truss has been designed for a 10.0 psf bottom chord live load nonconcurrent with any other live loads.
 - 8) * This truss has been designed for a live load of 30.0psf on the bottom chord in all areas where a rectangle 3-6-0 tall by 1-0-0 wide will fit between the bottom chord and any other members, with BCDL = 10.0psf.
 - 9) Provide mechanical connection (by others) of truss to bearing plate capable of withstanding 100 lb uplift at joint(s) 1, 12, 13, 10, 8.
 - 10) This truss is designed in accordance with the 2018 International Residential Code sections R502.11.1 and R802.10.2 and referenced standard ANSI/TPI 1.
 - 11) Graphical bracing representation does not depict the size, type or the orientation of the brace on the member. Symbol only indicates that the member must be braced.
 - 12) Bearing symbols are only graphical representations of a possible bearing condition. Bearing symbols are not considered in the structural design of the truss to support the loads indicated.
 - 13) Web bracing shown is for lateral support of individual web members only. Refer to BCSI - Guide to Good Practice for Handling, Installing, Restraining & Bracing of Metal Plate Connected Wood Trusses for additional bracing guidelines, including diagonal bracing.
 - 14) SEE BCSI-B3 SUMMARY SHEET- PERMANENT RESTRAINING/BRACING OF CHORDS & WEB MEMBERS FOR RECOMMENDED MINIMUM BRACING REQUIREMENTS OF TOP CHORD, BOTTOM CHORD, AND WEB PLANES. IN ADDITION TO THESE MINIMUM GUIDELINES, ALWAYS CONSULT THE PROJECT ARCHITECT OR ENGINEER FOR ADDITIONAL BRACING CONSIDERATIONS.



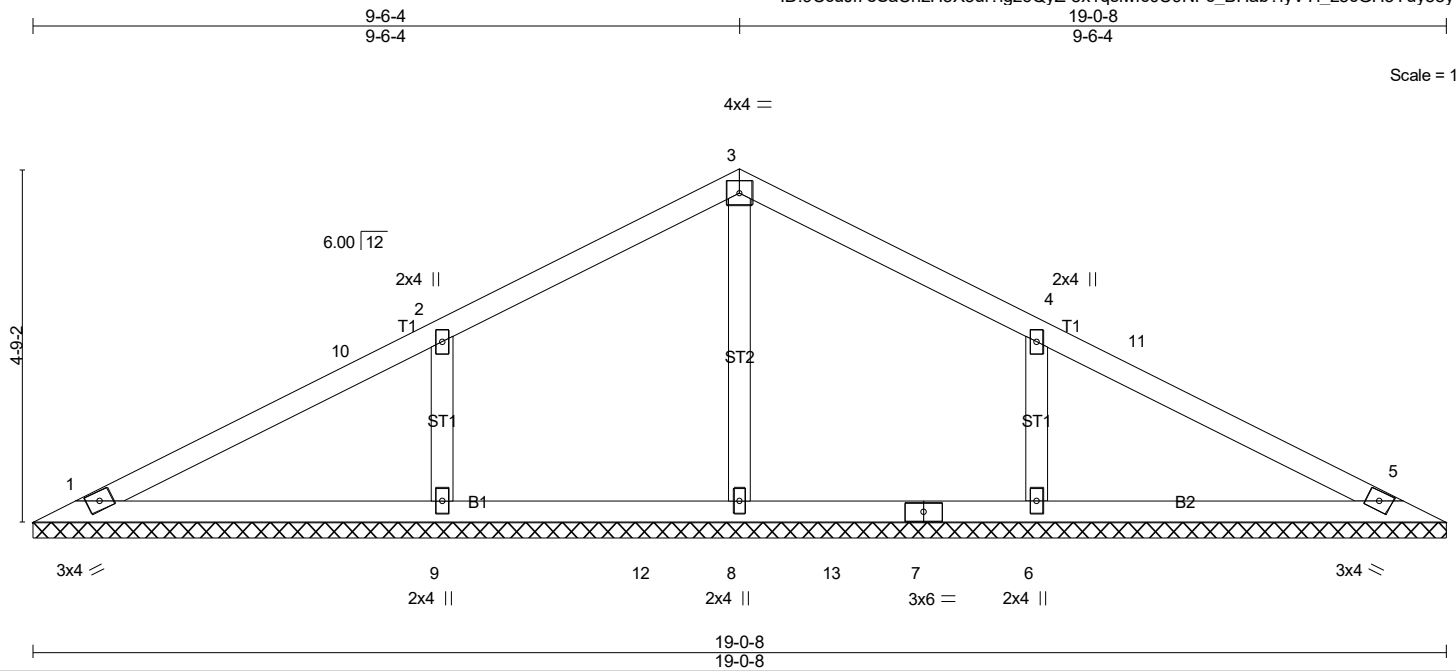
9/29/2021

LOAD CASE(S) Standard

Warning! — Verify design parameters and read notes before use. This design is based only upon parameters shown, and is for an individual building component to be installed and loaded vertically. Applicability of design parameters and proper incorporation of component is responsibility of building designer – not truss designer or truss engineer. Bracing shown is for lateral support of individual web members only. Additional temporary bracing to ensure stability during construction is the responsibility of the erector. Additional permanent bracing of the overall structure is the responsibility of the building designer. For general guidance regarding fabrication, quality control, storage, delivery, erection and bracing, consult ANSI/TPI 1 *National Design Standard for Metal Plate Connected Wood Truss Construction* and BCSI 1-03 *Guide to Good Practice for Handling, Installing & Bracing of Metal Plate Connected Wood Trusses* from Truss Plate Institute, 583 D*Onofrio Drive, Madison, WI 53719.

Job 21-5645-R01	Truss VT02	Truss Type Valley	Qty 1	Ply 1	49786-0195 WOODGROVE FUQUAY VARINA, NC
Job Reference (optional)					# 28715

8.430 s Feb 12 2021 MiTek Industries, Inc. Thu Sep 30 15:56:10 2021 Page 1
 ID:9CcuJl7eSaUnzH5X3uf?lgz6QyZ-8x1qsiwfc0U9NFC_BHab?fyvYi_z5cGH5Yuy88yYPUZ



LOADING (psf)	SPACING-	CSI.	DEFL.	PLATES	GRIP
TCLL (roof) 20.0	2-0-0	TC 0.37	in (loc) l/defl L/d	MT20	244/190
Snow (Pf) 20.0	Plate Grip DOL 1.15	BC 0.31	Vert(LL) n/a - n/a 999		
TCDL 10.0	Lumber DOL 1.15	WB 0.10	Vert(CT) n/a - n/a 999		
BCDL 0.0 *	Rep Stress Incr YES	Matrix-SH	Horz(CT) 0.00 5 n/a n/a		
BCDL 10.0	Code IRC2018/TPI2014			Weight: 71 lb	FT = 20%

LUMBER-
 TOP CHORD 2x4 SP No.2
 BOT CHORD 2x4 SP No.3
 OTHERS 2x4 SP No.3

BRACING-
 TOP CHORD Structural wood sheathing directly applied or 6-0-0 oc purlins.
 BOT CHORD Rigid ceiling directly applied or 10-0-0 oc bracing.

MiTek recommends that Stabilizers and required cross bracing be installed during truss erection, in accordance with Stabilizer Installation guide.

REACTIONS. All bearings 19-0-8.
 (lb) - Max Horz 1=-54(LC 15)
 Max Uplift All uplift 100 lb or less at joint(s) 1, 5, 9, 6
 Max Grav All reactions 250 lb or less at joint(s) 1, 5 except 8=323(LC 6), 9=549(LC 20), 6=549(LC 21)

FORCES. (lb) - Max. Comp./Max. Ten. - All forces 250 (lb) or less except when shown.
 WEBS 2-9=-428/143, 4-6=-428/143

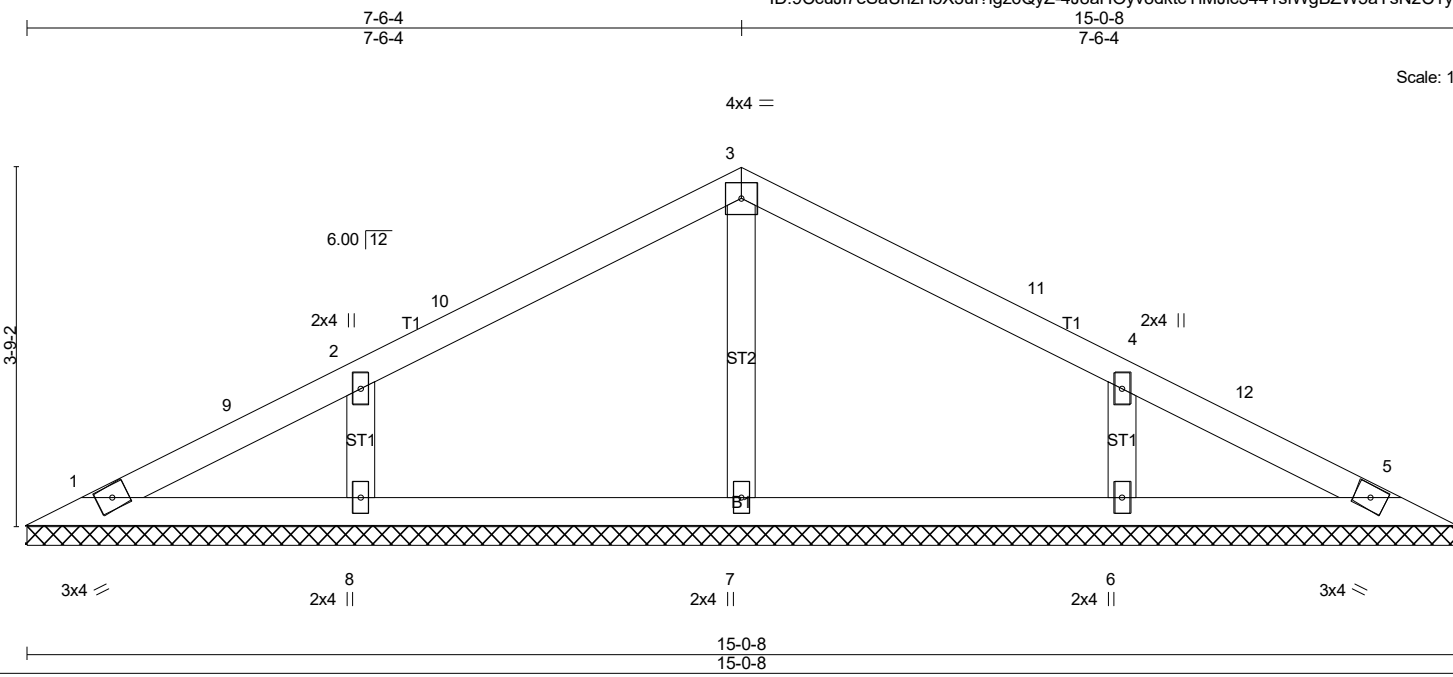
- NOTES-** (10-13)
- Unbalanced roof live loads have been considered for this design.
 - Wind: ASCE 7-16; Vult=115mph (3-second gust) Vasd=91mph; TCDL=5.0psf; BCDL=5.0psf; h=24ft; Cat. II; Exp B; Enclosed; MWFRS (envelope) gable end zone and C-C Exterior(2E) 0-7-7 to 4-7-0, Interior(1) 4-7-0 to 5-6-4, Exterior(2R) 5-6-4 to 13-6-4, Interior(1) 13-6-4 to 14-5-8, Exterior(2E) 14-5-8 to 18-5-1 zone; C-C for members and forces & MWFRS for reactions shown; Lumber DOL=1.60 plate grip DOL=1.60
 - TCLL: ASCE 7-16; Pr=20.0 psf (roof LL: Lum DOL=1.15 Plate DOL=1.15); Pf=20.0 psf (Lum DOL=1.15 Plate DOL=1.15); Is=1.0; Rough Cat B; Partially Exp.; Ce=1.0; Cs=1.00; Ct=1.10
 - Unbalanced snow loads have been considered for this design.
 - Gable requires continuous bottom chord bearing.
 - This truss has been designed for a 10.0 psf bottom chord live load nonconcurrent with any other live loads.
 - * This truss has been designed for a live load of 30.0psf on the bottom chord in all areas where a rectangle 3-6-0 tall by 1-0-0 wide will fit between the bottom chord and any other members, with BCDL = 10.0psf.
 - Provide mechanical connection (by others) of truss to bearing plate capable of withstanding 100 lb uplift at joint(s) 1, 5, 9, 6.
 - This truss is designed in accordance with the 2018 International Residential Code sections R502.11.1 and R802.10.2 and referenced standard ANSI/TPI 1.
 - Graphical bracing representation does not depict the size, type or the orientation of the brace on the member. Symbol only indicates that the member must be braced.
 - Bearing symbols are only graphical representations of a possible bearing condition. Bearing symbols are not considered in the structural design of the truss to support the loads indicated.
 - Web bracing shown is for lateral support of individual web members only. Refer to BCSI - Guide to Good Practice for Handling, Installing, Restraining & Bracing of Metal Plate Connected Wood Trusses for additional bracing guidelines, including diagonal bracing.
 - SEE BCSI-B3 SUMMARY SHEET- PERMANENT RESTRAINING/BRACING OF CHORDS & WEB MEMBERS FOR RECOMMENDED MINIMUM BRACING REQUIREMENTS OF TOP CHORD, BOTTOM CHORD, AND WEB PLANES. IN ADDITION TO THESE MINIMUM GUIDELINES, ALWAYS CONSULT THE PROJECT ARCHITECT OR ENGINEER FOR ADDITIONAL BRACING CONSIDERATIONS.



LOAD CASE(S) Standard

9/29/2021

Warning!—Verify design parameters and read notes before use. This design is based only upon parameters shown, and is for an individual building component to be installed and loaded vertically. Applicability of design parameters and proper incorporation of component is responsibility of building designer – not truss designer or truss engineer. Bracing shown is for lateral support of individual web members only. Additional temporary bracing to ensure stability during construction is the responsibility of the erector. Additional permanent bracing of the overall structure is the responsibility of the building designer. For general guidance regarding fabrication, quality control, storage, delivery, erection and bracing, consult ANSI/TPI 1 *National Design Standard for Metal Plate Connected Wood Truss Construction* and BCSI 1-03 *Guide to Good Practice for Handling, Installing & Bracing of Metal Plate Connected Wood Trusses* from Truss Plate Institute, 583 D'Onofrio Drive, Madison, WI 53719.



Scale: 1/2"=1'

LOADING (psf)	TCLL (roof) 20.0 Snow (Pf) 20.0 TCDL 10.0 BCLL 0.0 * BCDL 10.0	SPACING-	2-0-0 Plate Grip DOL 1.15 Lumber DOL 1.15 Rep Stress Incr YES Code IRC2018/TPI2014	CSI.	TC 0.27 BC 0.19 WB 0.07 Matrix-SH	DEFL.	in (loc) l/defl L/d Vert(LL) n/a - n/a 999 Vert(CT) n/a - n/a 999 Horz(CT) 0.00 5 n/a n/a	PLATES	GRIP
								MT20	244/190
								Weight: 54 lb	FT = 20%

LUMBER-
TOP CHORD 2x4 SP No.2
BOT CHORD 2x4 SP No.3
OTHERS 2x4 SP No.3

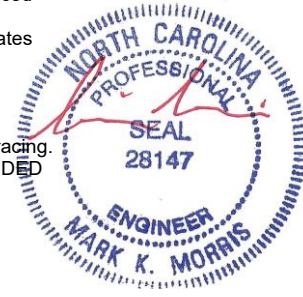
BRACING-
TOP CHORD Structural wood sheathing directly applied or 6-0-0 oc purlins.
BOT CHORD Rigid ceiling directly applied or 10-0-0 oc bracing.

MiTek recommends that Stabilizers and required cross bracing be installed during truss erection, in accordance with Stabilizer Installation guide.

REACTIONS. All bearings 15-0-8.
(lb) - Max Horz 1=-42(LC 15)
Max Uplift All uplift 100 lb or less at joint(s) 1, 8, 6
Max Grav All reactions 250 lb or less at joint(s) 1, 5 except 7=291(LC 21), 8=443(LC 20), 6=443(LC 21)

FORCES. (lb) - Max. Comp./Max. Ten. - All forces 250 (lb) or less except when shown.
WEBS 2-8=-366/137, 4-6=-366/137

- NOTES-** (10-13)
- 1) Unbalanced roof live loads have been considered for this design.
 - 2) Wind: ASCE 7-16; Vult=115mph (3-second gust) Vasd=91mph; TCCL=5.0psf; BCDL=5.0psf; h=24ft; Cat. II; Exp B; Enclosed; MWFRS (envelope) gable end zone and C-C Exterior(2E) 0-7-7 to 4-7-0, Exterior(2R) 4-7-0 to 10-5-8, Exterior(2E) 10-5-8 to 14-5-1 zone; C-C for members and forces & MWFRS for reactions shown; Lumber DOL=1.60 plate grip DOL=1.60
 - 3) TCLL: ASCE 7-16; Pr=20.0 psf (roof LL: Lum DOL=1.15 Plate DOL=1.15); Pf=20.0 psf (Lum DOL=1.15 Plate DOL=1.15); Is=1.0; Rough Cat B; Partially Exp.; Ce=1.0; Cs=1.00; Ct=1.10
 - 4) Unbalanced snow loads have been considered for this design.
 - 5) Gable requires continuous bottom chord bearing.
 - 6) This truss has been designed for a 10.0 psf bottom chord live load nonconcurrent with any other live loads.
 - 7) * This truss has been designed for a live load of 30.0psf on the bottom chord in all areas where a rectangle 3-6-0 tall by 1-0-0 wide will fit between the bottom chord and any other members.
 - 8) Provide mechanical connection (by others) of truss to bearing plate capable of withstanding 100 lb uplift at joint(s) 1, 8, 6.
 - 9) This truss is designed in accordance with the 2018 International Residential Code sections R502.11.1 and R802.10.2 and referenced standard ANSI/TPI 1.
 - 10) Graphical bracing representation does not depict the size, type or the orientation of the brace on the member. Symbol only indicates that the member must be braced.
 - 11) Bearing symbols are only graphical representations of a possible bearing condition. Bearing symbols are not considered in the structural design of the truss to support the loads indicated.
 - 12) Web bracing shown is for lateral support of individual web members only. Refer to BCSI - Guide to Good Practice for Handling, Installing, Restraining & Bracing of Metal Plate Connected Wood Trusses for additional bracing guidelines, including diagonal bracing.
 - 13) SEE BCSI-B3 SUMMARY SHEET- PERMANENT RESTRAINING/BRACING OF CHORDS & WEB MEMBERS FOR RECOMMENDED MINIMUM BRACING REQUIREMENTS OF TOP CHORD, BOTTOM CHORD, AND WEB PLANES. IN ADDITION TO THESE MINIMUM GUIDELINES, ALWAYS CONSULT THE PROJECT ARCHITECT OR ENGINEER FOR ADDITIONAL BRACING CONSIDERATIONS.



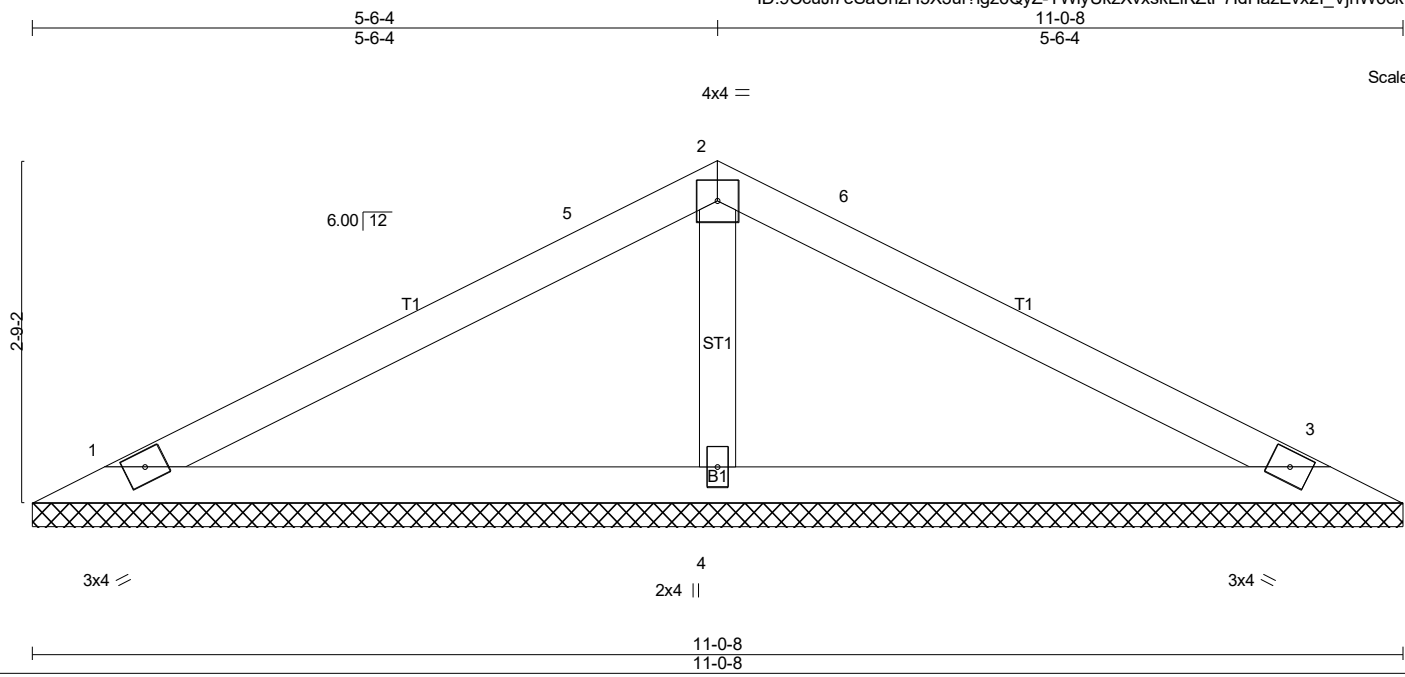
9/29/2021

LOAD CASE(S) Standard

Warning !—Verify design parameters and read notes before use. This design is based only upon parameters shown, and is for an individual building component to be installed and loaded vertically. Applicability of design parameters and proper incorporation of component is responsibility of building designer – not truss designer or truss engineer. Bracing shown is for lateral support of individual web members only. Additional temporary bracing to ensure stability during construction is the responsibility of the erector. Additional permanent bracing of the overall structure is the responsibility of the building designer. For general guidance regarding fabrication, quality control, storage, delivery, erection and bracing, consult ANSI/TPI 1 *National Design Standard for Metal Plate Connected Wood Truss Construction* and BCSI 1-03 *Guide to Good Practice for Handling, Installing & Bracing of Metal Plate Connected Wood Trusses* from Truss Plate Institute, 583 D'Onofrio Drive, Madison, WI 53719.

Job 21-5645-R01	Truss VT04	Truss Type Valley	Qty 1	Ply 1	49786-0195 WOODGROVE FUQUAY VARINA, NC	Job Reference (optional) # 28715
--------------------	---------------	----------------------	----------	----------	--	--

8.430 s Feb 12 2021 MiTek Industries, Inc. Thu Sep 30 15:56:13 2021 Page 1
ID:9CcuJl7eSaUnzH5X3uf?lgz6QyZ-YWiyUkzXvxskEikZtP7ldHazEvx2l_VjnW6ckTyYPUW



Scale = 1:18.6

LOADING (psf)	SPACING-	CSI.	DEFL.	PLATES	GRIP
TCLL (roof) 20.0	2-0-0	TC 0.47	in (loc) l/defl L/d	MT20	244/190
Snow (Pf) 20.0	Plate Grip DOL 1.15	BC 0.54	Vert(LL) n/a - n/a 999		
TCDL 10.0	Lumber DOL 1.15	WB 0.06	Vert(CT) n/a - n/a 999		
BCLL 0.0 *	Rep Stress Incr YES	Matrix-SH	Horz(CT) 0.00 3 n/a n/a		
BCDL 10.0	Code IRC2018/TPI2014			Weight: 36 lb	FT = 20%

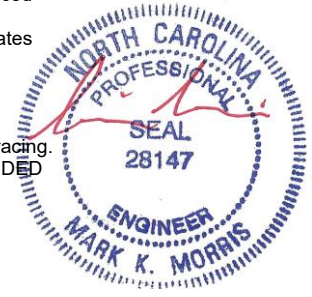
LUMBER-	BRACING-
TOP CHORD 2x4 SP No.2	TOP CHORD Structural wood sheathing directly applied or 6-0-0 oc purlins.
BOT CHORD 2x4 SP No.3	BOT CHORD Rigid ceiling directly applied or 10-0-0 oc bracing.
OTHERS 2x4 SP No.3	

MiTek recommends that Stabilizers and required cross bracing be installed during truss erection, in accordance with Stabilizer Installation guide.

REACTIONS. (lb/size) 1=175/11-0-8 (min. 0-1-8), 3=175/11-0-8 (min. 0-1-8), 4=434/11-0-8 (min. 0-1-8)
 Max Horz 1=30(LC 18)
 Max Uplift 1=-21(LC 14), 3=-27(LC 15), 4=-5(LC 14)
 Max Grav 1=257(LC 20), 3=257(LC 21), 4=447(LC 21)

FORCES. (lb) - Max. Comp./Max. Ten. - All forces 250 (lb) or less except when shown.
 WEBS 2-4=-284/116

- NOTES-** (10-13)
- Unbalanced roof live loads have been considered for this design.
 - Wind: ASCE 7-16; Vult=115mph (3-second gust) Vasd=91mph; TC DL=5.0psf; BCDL=5.0psf; h=25ft; Cat. II; Exp B; Enclosed; MWFRS (envelope) gable end zone and C-C Exterior(2E) 0-7-7 to 4-7-0, Exterior(2R) 4-7-0 to 6-5-8, Exterior(2E) 6-5-8 to 10-5-1 zone; C-C for members and forces & MWFRS for reactions shown; Lumber DOL=1.60 plate grip DOL=1.60
 - TCLL: ASCE 7-16; Pr=20.0 psf (roof LL: Lum DOL=1.15 Plate DOL=1.15); Pf=20.0 psf (Lum DOL=1.15 Plate DOL=1.15); Is=1.0; Rough Cat B; Partially Exp.; Ce=1.0; Cs=1.00; Ct=1.10
 - Unbalanced snow loads have been considered for this design.
 - Gable requires continuous bottom chord bearing.
 - This truss has been designed for a 10.0 psf bottom chord live load nonconcurrent with any other live loads.
 - * This truss has been designed for a live load of 30.0psf on the bottom chord in all areas where a rectangle 3-6-0 tall by 1-0-0 wide will fit between the bottom chord and any other members.
 - Provide mechanical connection (by others) of truss to bearing plate capable of withstanding 100 lb uplift at joint(s) 1, 3, 4.
 - This truss is designed in accordance with the 2018 International Residential Code sections R502.11.1 and R802.10.2 and referenced standard ANSI/TPI 1.
 - Graphical bracing representation does not depict the size, type or the orientation of the brace on the member. Symbol only indicates that the member must be braced.
 - Bearing symbols are only graphical representations of a possible bearing condition. Bearing symbols are not considered in the structural design of the truss to support the loads indicated.
 - Web bracing shown is for lateral support of individual web members only. Refer to BCSI - Guide to Good Practice for Handling, Installing, Restraining & Bracing of Metal Plate Connected Wood Trusses for additional bracing guidelines, including diagonal bracing.
 - SEE BCSI-B3 SUMMARY SHEET- PERMANENT RESTRAINING/BRACING OF CHORDS & WEB MEMBERS FOR RECOMMENDED MINIMUM BRACING REQUIREMENTS OF TOP CHORD, BOTTOM CHORD, AND WEB PLANES. IN ADDITION TO THESE MINIMUM GUIDELINES, ALWAYS CONSULT THE PROJECT ARCHITECT OR ENGINEER FOR ADDITIONAL BRACING CONSIDERATIONS.

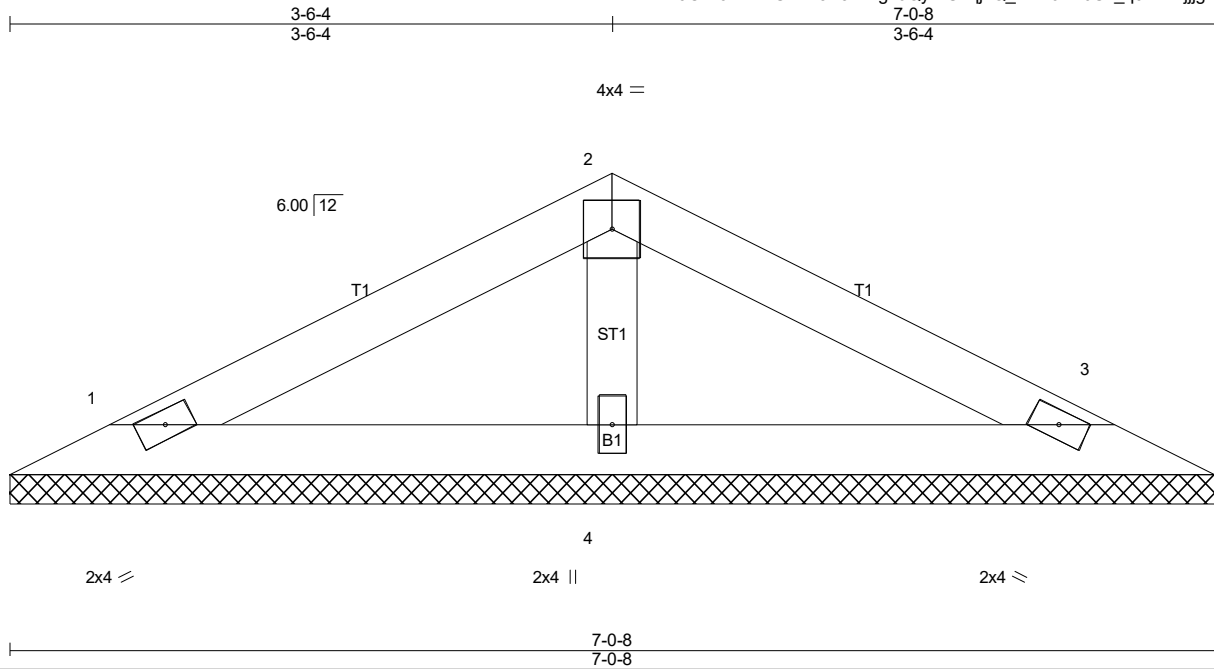


9/29/2021

Warning !—Verify design parameters and read notes before use. This design is based only upon parameters shown, and is for an individual building component to be installed and loaded vertically. Applicability of design parameters and proper incorporation of component is responsibility of building designer – not truss designer or truss engineer. Bracing shown is for lateral support of individual web members only. Additional temporary bracing to ensure stability during construction is the responsibility of the erector. Additional permanent bracing of the overall structure is the responsibility of the building designer. For general guidance regarding fabrication, quality control, storage, delivery, erection and bracing, consult ANSI/TPI 1 *National Design Standard for Metal Plate Connected Wood Truss Construction* and BCSI 1-03 *Guide to Good Practice for Handling, Installing & Bracing of Metal Plate Connected Wood Trusses* from Truss Plate Institute, 583 D'Onofrio Drive, Madison, WI 53719.

Job 21-5645-R01	Truss VT05	Truss Type Valley	Qty 1	Ply 1	49786-0195 WOODGROVE FUQUAY VARINA, NC
Job Reference (optional)					# 28715

8.430 s Feb 12 2021 MiTek Industries, Inc. Thu Sep 30 15:56:15 2021 Page 1
ID:9CcuJl7eSaUnzH5X3uf?lgz6QyZ-UuqvQ_oRY6ST0Ux_q9miifNjjgmV0EqbjpMyYPUU



Scale = 1:13.5

LOADING (psf)	SPACING-	CSI.	DEFL.	PLATES	GRIP
TCLL (roof) 20.0	Plate Grip DOL 1.15	TC 0.22	in (loc) l/defl L/d	MT20	244/190
Snow (Pf) 20.0	Lumber DOL 1.15	BC 0.14	Vert(LL) n/a - n/a 999		
TCDL 10.0	Rep Stress Incr YES	WB 0.03	Vert(CT) n/a - n/a 999		
BCLL 0.0 *	Code IRC2018/TPI2014	Matrix-P	Horz(CT) 0.00 3 n/a n/a		
BCDL 10.0				Weight: 22 lb	FT = 20%

LUMBER-
TOP CHORD 2x4 SP No.2
BOT CHORD 2x4 SP No.3
OTHERS 2x4 SP No.3

BRACING-
TOP CHORD
BOT CHORD

Structural wood sheathing directly applied or 6'-0-0 oc purlins.
Rigid ceiling directly applied or 10'-0-0 oc bracing.

MiTek recommends that Stabilizers and required cross bracing be installed during truss erection, in accordance with Stabilizer Installation guide.

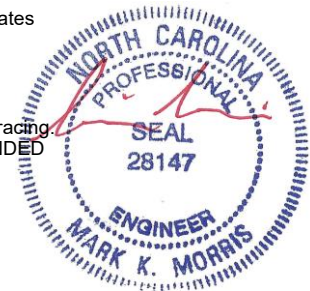
REACTIONS. (lb/size) 1=117/7-0-8 (min. 0-1-8), 3=117/7-0-8 (min. 0-1-8), 4=230/7-0-8 (min. 0-1-8)
Max Horz 1=18(LC 18)
Max Uplift 1=-17(LC 14), 3=-21(LC 15)
Max Grav 1=154(LC 20), 3=154(LC 21), 4=230(LC 1)

FORCES. (lb) - Max. Comp./Max. Ten. - All forces 250 (lb) or less except when shown.

NOTES- (10-13)

- Unbalanced roof live loads have been considered for this design.
- Wind: ASCE 7-16; Vult=115mph (3-second gust) Vasd=91mph; TCCL=5.0psf; BCCL=5.0psf; h=25ft; Cat. II; Exp B; Enclosed; MWFRS (envelope) gable end zone and C-C Exterior(2E) zone; C-C for members and forces & MWFRS for reactions shown; Lumber DOL=1.60 plate grip DOL=1.60
- TCLL: ASCE 7-16; Pr=20.0 psf (roof LL: Lum DOL=1.15 Plate DOL=1.15); Pf=20.0 psf (Lum DOL=1.15 Plate DOL=1.15); Is=1.0; Rough Cat B; Partially Exp.; Ce=1.0; Cs=1.00; Ct=1.10
- Unbalanced snow loads have been considered for this design.
- Gable requires continuous bottom chord bearing.
- This truss has been designed for a 10.0 psf bottom chord live load nonconcurrent with any other live loads.
- * This truss has been designed for a live load of 30.0psf on the bottom chord in all areas where a rectangle 3'-6-0 tall by 1'-0-0 wide will fit between the bottom chord and any other members.
- Provide mechanical connection (by others) of truss to bearing plate capable of withstanding 100 lb uplift at joint(s) 1, 3.
- This truss is designed in accordance with the 2018 International Residential Code sections R502.11.1 and R802.10.2 and referenced standard ANSI/TPI 1.
- Graphical bracing representation does not depict the size, type or the orientation of the brace on the member. Symbol only indicates that the member must be braced.
- Bearing symbols are only graphical representations of a possible bearing condition. Bearing symbols are not considered in the structural design of the truss to support the loads indicated.
- Web bracing shown is for lateral support of individual web members only. Refer to BCSI - Guide to Good Practice for Handling, Installing, Restraining & Bracing of Metal Plate Connected Wood Trusses for additional bracing guidelines, including diagonal bracing.
- SEE BCSI-B3 SUMMARY SHEET- PERMANENT RESTRAINING/BRACING OF CHORDS & WEB MEMBERS FOR RECOMMENDED MINIMUM BRACING REQUIREMENTS OF TOP CHORD, BOTTOM CHORD, AND WEB PLANES. IN ADDITION TO THESE MINIMUM GUIDELINES, ALWAYS CONSULT THE PROJECT ARCHITECT OR ENGINEER FOR ADDITIONAL BRACING CONSIDERATIONS.

LOAD CASE(S) Standard

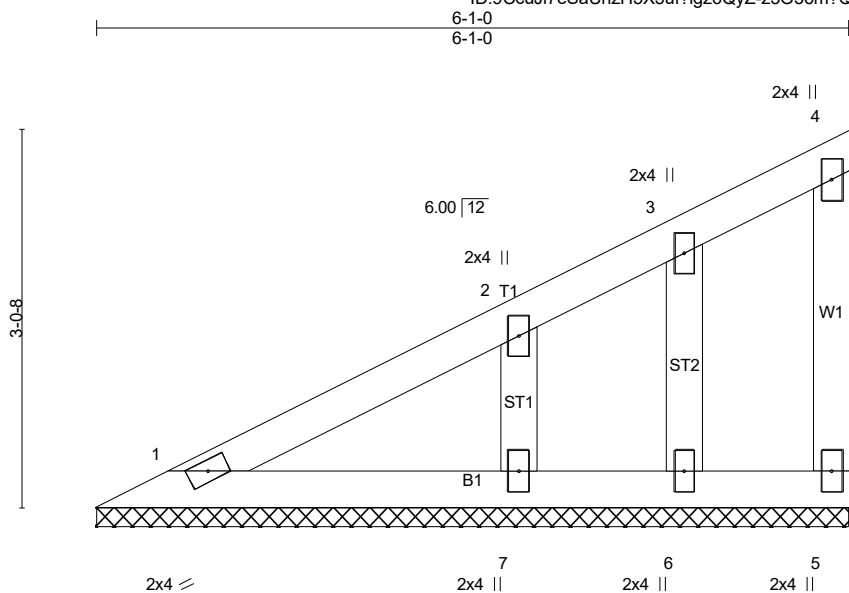


9/29/2021

Warning !—Verify design parameters and read notes before use. This design is based only upon parameters shown, and is for an individual building component to be installed and loaded vertically. Applicability of design parameters and proper incorporation of component is responsibility of building designer – not truss designer or truss engineer. Bracing shown is for lateral support of individual web members only. Additional temporary bracing to ensure stability during construction is the responsibility of the erector. Additional permanent bracing of the overall structure is the responsibility of the building designer. For general guidance regarding fabrication, quality control, storage, delivery, erection and bracing, consult ANSI/TPI 1 *National Design Standard for Metal Plate Connected Wood Truss Construction* and BCSI 1-03 *Guide to Good Practice for Handling, Installing & Bracing of Metal Plate Connected Wood Trusses* from Truss Plate Institute, 583 D'Onofrio Drive, Madison, WI 53719.

Job 21-5645-R01	Truss VT06	Truss Type GABLE	Qty 1	Ply 1	49786-0195 WOODGROVE FUQUAY VARINA, NC	Job Reference (optional) # 28715
--------------------	---------------	---------------------	----------	----------	--	--

ID:9CcuJl7eSaUnzH5X3uf?lgz6QyZ-z5O56m?QCSEJ5A38Yyh?FwCZL74cVLP9TULGLoyYPUT 8.430 s Feb 12 2021 MiTek Industries, Inc. Thu Sep 30 15:56:16 2021 Page 1



Scale = 1:18.6

LOADING (psf)	SPACING-	CSI.	DEFL.	PLATES	GRIP
TCLL (roof) 20.0	2-0-0	TC 0.16	in (loc) l/defl L/d	MT20	244/190
Snow (Pf) 20.0	Plate Grip DOL 1.15	BC 0.10	Vert(LL) n/a - n/a 999		
TCDL 10.0	Lumber DOL 1.15	WB 0.05	Vert(CT) n/a - n/a 999		
BCLL 0.0 *	Rep Stress Incr YES	Matrix-P	Horz(CT) 0.00 n/a n/a		
BCDL 10.0	Code IRC2018/TPI2014			Weight: 26 lb	FT = 20%

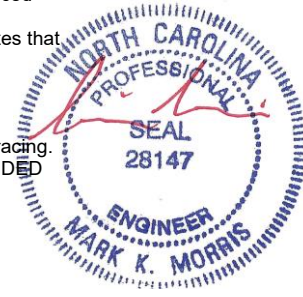
LUMBER-
TOP CHORD 2x4 SP No.2
BOT CHORD 2x4 SP No.3
WEBS 2x4 SP No.3
OTHERS 2x4 SP No.3

BRACING-
TOP CHORD Structural wood sheathing directly applied or 6-0-0 oc purlins, except end verticals.
BOT CHORD Rigid ceiling directly applied or 10-0-0 oc bracing.
MiTek recommends that Stabilizers and required cross bracing be installed during truss erection, in accordance with Stabilizer Installation guide.

REACTIONS. All bearings 6-1-0.
(lb) - Max Horz 1=73(LC 14)
Max Uplift All uplift 100 lb or less at joint(s) 5, 6, 7
Max Grav All reactions 250 lb or less at joint(s) 1, 5, 6 except 7=322(LC 20)

FORCES. (lb) - Max. Comp./Max. Ten. - All forces 250 (lb) or less except when shown.
WEBS 2-7=-265/135

- NOTES-** (9-12)
- 1) Wind: ASCE 7-16; Vult=115mph (3-second gust) Vasd=91mph; TC DL=5.0psf; BCDL=5.0psf; h=21ft; Cat. II; Exp B; Enclosed; MWFRS (envelope) gable end zone and C-C Corner(3) 0-7-7 to 4-9-0, Exterior(2R) 4-9-0 to 5-11-4 zone; C-C for members and forces & MWFRS for reactions shown; Lumber DOL=1.60 plate grip DOL=1.60
 - 2) TCLL: ASCE 7-16; Pr=20.0 psf (roof LL: Lum DOL=1.15 Plate DOL=1.15); Pf=20.0 psf (Lum DOL=1.15 Plate DOL=1.15); Is=1.0; Rough Cat B; Partially Exp.; Ce=1.0; Cs=1.00; Ct=1.10
 - 3) Unbalanced snow loads have been considered for this design.
 - 4) Gable requires continuous bottom chord bearing.
 - 5) This truss has been designed for a 10.0 psf bottom chord live load nonconcurrent with any other live loads.
 - 6) * This truss has been designed for a live load of 30.0psf on the bottom chord in all areas where a rectangle 3-6-0 tall by 1-0-0 wide will fit between the bottom chord and any other members.
 - 7) Provide mechanical connection (by others) of truss to bearing plate capable of withstanding 100 lb uplift at joint(s) 5, 6, 7.
 - 8) This truss is designed in accordance with the 2018 International Residential Code sections R502.11.1 and R802.10.2 and referenced standard ANSI/TPI 1.
 - 9) Graphical bracing representation does not depict the size, type or the orientation of the brace on the member. Symbol only indicates that the member must be braced.
 - 10) Bearing symbols are only graphical representations of a possible bearing condition. Bearing symbols are not considered in the structural design of the truss to support the loads indicated.
 - 11) Web bracing shown is for lateral support of individual web members only. Refer to BCSI - Guide to Good Practice for Handling, Installing, Restraining & Bracing of Metal Plate Connected Wood Trusses for additional bracing guidelines, including diagonal bracing.
 - 12) SEE BCSI-B3 SUMMARY SHEET- PERMANENT RESTRAINING/BRACING OF CHORDS & WEB MEMBERS FOR RECOMMENDED MINIMUM BRACING REQUIREMENTS OF TOP CHORD, BOTTOM CHORD, AND WEB PLANES. IN ADDITION TO THESE MINIMUM GUIDELINES, ALWAYS CONSULT THE PROJECT ARCHITECT OR ENGINEER FOR ADDITIONAL BRACING CONSIDERATIONS.



9/29/2021

LOAD CASE(S) Standard

Warning !—Verify design parameters and read notes before use. This design is based only upon parameters shown, and is for an individual building component to be installed and loaded vertically. Applicability of design parameters and proper incorporation of component is responsibility of building designer – not truss designer or truss engineer. Bracing shown is for lateral support of individual web members only. Additional temporary bracing to ensure stability during construction is the responsibility of the erector. Additional permanent bracing of the overall structure is the responsibility of the building designer. For general guidance regarding fabrication, quality control, storage, delivery, erection and bracing, consult ANSI/TPI 1 *National Design Standard for Metal Plate Connected Wood Truss Construction* and BCSI 1-03 *Guide to Good Practice for Handling, Installing & Bracing of Metal Plate Connected Wood Trusses* from Truss Plate Institute, 583 D'Onofrio Drive, Madison, WI 53719.