

Job 2310931	Truss A1E	Truss Type GABLE	Qty 1	Ply 1	Lamco Custom - Kristie Bonus Rm. Job Reference (optional)
----------------	--------------	---------------------	----------	----------	--

Probuild East, Albemarle, NC 28001

8.240 s Mar 9 2020 MiTek Industries, Inc. Mon Apr 20 14:07:08 2020 Page 1
ID:dnlqb9LRM5JKOTrzxvfk8RybnvJ-C8dLqRsYixYep0G0UtJrajyqzekEpQekgEhiWLOzOnoH

0-10-8 23-4-0 46-8-0 47-6-8
0-10-8 23-4-0 23-4-0 0-10-8

5x6 =

Scale = 1:93.4

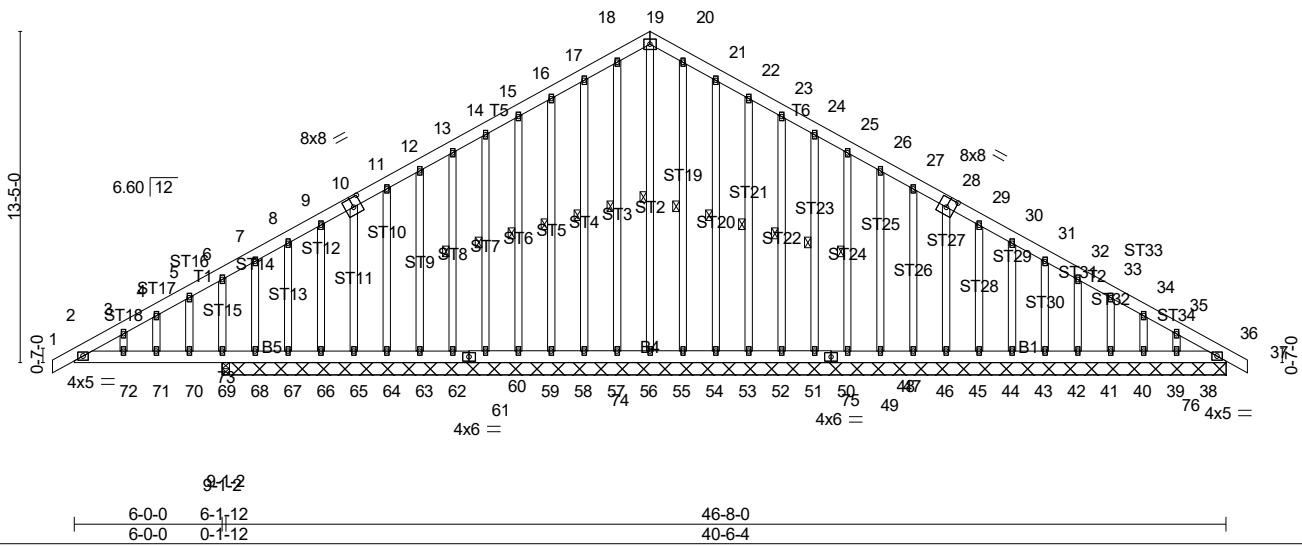


Plate Offsets (X,Y)-- [10:0-4-0,0-4-8], [28:0-4-0,0-4-8]

LOADING (psf)		SPACING-	1-4-0	CSI.	DEFL.	in (loc)	l/defl	L/d	PLATES	GRIP
TCLL (roof)	20.0	Plate Grip DOL	1.15	TC	Vert(LL)	0.00	69	>999	MT20	244/190
Snow (Pf/Pg)	15.4/20.0	Lumber DOL	1.15	BC	Vert(CT)	0.00	68-69	>999		
TCDL	10.0	Rep Stress Incr	YES	WB	Horz(CT)	-0.01	36	n/a		
BCLL	0.0 *	Code IRC2015/TPI2014		Matrix-SH	Wind(LL)	-0.00	69	>999		
BCDL	10.0								Weight: 557 lb	FT = 20%

LUMBER-
TOP CHORD 2x6 SP No.2
BOT CHORD 2x6 SP No.2
OTHERS 2x4 SP No.3

BRACING-
TOP CHORD Structural wood sheathing directly applied or 10-0-0 oc purlins.
BOT CHORD Rigid ceiling directly applied or 6-0-0 oc bracing.
WEBS 1 Row at midpt 19-55, 18-56, 17-57, 16-58, 15-59, 14-60, 13-62, 20-54, 21-53, 22-52, 23-51, 24-50, 25-48

MiTek recommends that Stabilizers and required cross bracing be installed during truss erection, in accordance with Stabilizer Installation guide.

REACTIONS. All bearings 40-8-0.
(lb) - Max Horz 69=138(LC 15)
Max Uplift All uplift 100 lb or less at joint(s) 57, 58, 59, 60, 62, 63, 64, 65, 66, 67, 53, 52, 51, 50, 48, 47, 46, 45, 44, 43, 42, 41, 40, 39, 38 except 36=-113(LC 32), 68=-264(LC 2), 69=-144(LC 16)
Max Grav All reactions 250 lb or less at joint(s) 36, 55, 56, 57, 58, 59, 60, 62, 63, 64, 65, 66, 67, 68, 54, 53, 52, 51, 50, 48, 47, 46, 45, 44, 43, 42, 41, 40, 39, 38 except 69=540(LC 2), 69=476(LC 1)

FORCES. (lb) - Max. Comp./Max. Ten. - All forces 250 (lb) or less except when shown.
TOP CHORD 2-3=-143/293, 3-4=-129/305, 4-5=-124/329, 5-6=-109/327, 6-7=-63/250, 7-8=-63/296, 8-9=-48/303, 9-10=-32/292, 10-11=-18/305, 11-12=-1/300, 12-13=0/300, 13-14=0/300, 14-15=0/300, 15-16=0/301, 16-17=-10/304, 17-18=-23/304, 18-19=-33/275, 19-20=-33/274, 20-21=-23/304, 21-22=-10/304, 22-23=0/300, 23-24=0/300, 24-25=-1/300, 25-26=-9/300, 26-27=-18/300, 27-28=-27/303, 28-29=-36/306, 29-30=-48/308, 30-31=-64/312, 31-32=-80/315, 32-33=-96/318, 33-34=-112/322, 34-35=-127/325, 35-36=-153/340
BOT CHORD 2-72=-251/151, 71-72=-251/151, 71-73=-251/151, 70-73=-251/151, 69-70=-251/151, 68-69=-283/147, 67-68=-283/147, 66-67=-283/147, 65-66=-283/147, 64-65=-284/148, 63-64=-284/148, 62-63=-284/148, 61-62=-284/148, 60-61=-284/148, 59-60=-284/148, 58-61=-284/148, 57-58=-284/148, 56-57=-284/148, 55-56=-284/148, 54-55=-284/148, 53-54=-284/148, 52-53=-284/148, 52-53=-284/148, 51-75=-284/148, 50-51=-284/148, 49-50=-284/148, 48-49=-284/148, 47-48=-284/148, 46-47=-284/148, 45-46=-284/148, 44-45=-282/147, 43-44=-282/147, 42-43=-282/147, 41-42=-282/147, 40-41=-282/147, 40-76=-282/147, 39-76=-282/147, 38-39=-282/147, 36-38=-282/147

NOTES-
1) Unbalanced roof live loads have been considered for this design.
2) Wind: ASCE 7-10; Vult=115mph (3-second gust) Vasd=91mph; TCDL=6.0psf; BCDL=3.0psf; h=25ft; B=45ft; L=47ft; eave=2ft; Cat. II; Exp B; Enclosed; MWFRS (directional) and C-C Corner(3) -0-10-8 to 3-9-8, Exterior(2) 3-9-8 to 23-4-0, Corner(3) 23-4-0 to 28-0-0, Exterior(2) 28-0-0 to 47-6-8 zone; cantilever left and right exposed ; end vertical left and right exposed; C-C for members and forces & MWFRS for reactions shown; Lumber DOL=1.60 plate grip DOL=1.60

Continued on page 2

Job	Truss	Truss Type	Qty	Ply	Lamco Custom - Kristie Bonus Rm.
2310931	A1E	GABLE	1	1	Job Reference (optional)

Probuild East, Albemarle, NC 28001

8.240 s Mar 9 2020 MiTek Industries, Inc. Mon Apr 20 14:07:08 2020 Page 2
 ID:dnlqb9LRM5JKOTrzxvfk8RybnvJ-C8dLqRsYixYep0GUtJrajyqzekEpQekgEhiWLOzOnoH

NOTES-

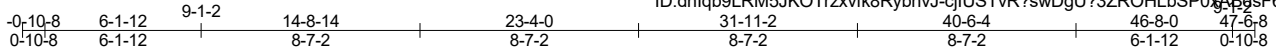
- 3) Truss designed for wind loads in the plane of the truss only. For studs exposed to wind (normal to the face), see Standard Industry Gable End Details as applicable, or consult qualified building designer as per ANSI/TPI 1.
- 4) TLL: ASCE 7-10; Pr=20.0 psf (roof live load: Lumber DOL=1.15 Plate DOL=1.15); Pg=20.0 psf (ground snow); Pf=15.4 psf (flat roof snow: Lumber DOL=1.15 Plate DOL=1.15); Category II; Exp B; Partially Exp.; Ct=1.10
- 5) Unbalanced snow loads have been considered for this design.
- 6) This truss has been designed for greater of min roof live load of 12.0 psf or 1.00 times flat roof load of 15.4 psf on overhangs non-concurrent with other live loads.
- 7) All plates are 2x4 MT20 unless otherwise indicated.
- 8) Gable studs spaced at 1-4-0 oc.
- 9) This truss has been designed for a 10.0 psf bottom chord live load nonconcurrent with any other live loads.
- 10) * This truss has been designed for a live load of 20.0psf on the bottom chord in all areas where a rectangle 3-6-0 tall by 2-0-0 wide will fit between the bottom chord and any other members.
- 11) This truss is designed in accordance with the 2015 International Residential Code sections R502.11.1 and R802.10.2 and referenced standard ANSI/TPI 1.

LOAD CASE(S) Standard

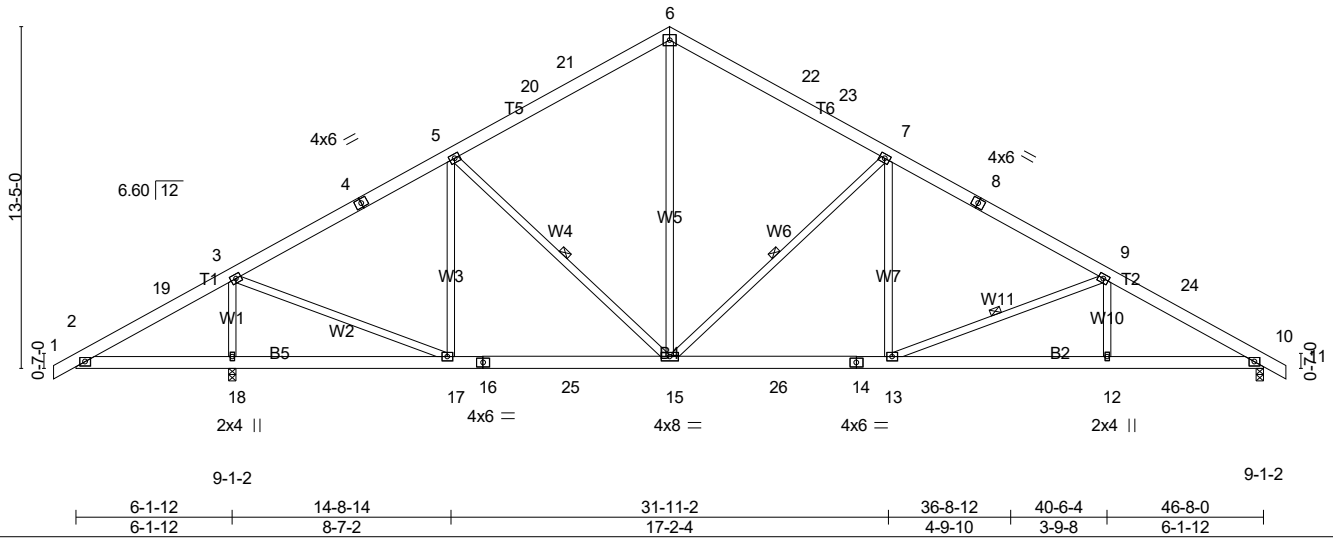
Job 2310931	Truss A2	Truss Type Common	Qty 6	Ply 1	Lamco Custom - Kristie Bonus Rm. Job Reference (optional)
----------------	-------------	----------------------	----------	----------	--

Probuild East, Albemarle, NC 28001

8.240 s Mar 9 2020 MiTek Industries, Inc. Mon Apr 20 14:07:11 2020 Page 1
ID: dnlqb9LRM5JKOTrzxvk8RybnvJ-cjlUSTvR?swDgU?3ZROHLbSP0ABsF6wfxByjzOnoE



Scale = 1:90.5



LOADING (psf)	SPACING-	CSI.	DEFL.	PLATES	GRIP
TCLL (roof) 20.0	2-0-0	TC 0.49	in (loc) l/defl L/d	MT20	244/190
Snow (Pf/Pg) 15.4/20.0	Plate Grip DOL 1.15	BC 0.54	Vert(LL) -0.11 13-15 >999 360		
TCDL 10.0	Lumber DOL 1.15	WB 0.71	Vert(CT) -0.21 13-15 >999 240		
BCLL 0.0 *	Rep Stress Incr YES	Matrix-SH	Horz(CT) 0.06 10 n/a n/a		
BCDL 10.0	Code IRC2015/TPI2014		Wind(LL) 0.05 13 >999 240		
				Weight: 350 lb	FT = 20%

LUMBER-

TOP CHORD 2x6 SP No.2
BOT CHORD 2x6 SP No.2
WEBS 2x4 SP No.3

BRACING-

TOP CHORD Structural wood sheathing directly applied or 4-3-0 oc purlins.
BOT CHORD Rigid ceiling directly applied or 6-0-0 oc bracing.
WEBS 1 Row at midpt 5-15, 7-15, 9-13

MiTek recommends that Stabilizers and required cross bracing be installed during truss erection, in accordance with Stabilizer Installation guide.

REACTIONS. (lb/size) 18=1949/0-3-8 (min. 0-3-7), 10=1441/0-3-8 (min. 0-2-9)
Max Horz 18=207(LC 15)
Max Uplift 18=-248(LC 16), 10=-102(LC 16)
Max Grav 18=2204(LC 2), 10=1631(LC 2)

FORCES. (lb) - Max. Comp./Max. Ten. - All forces 250 (lb) or less except when shown.
TOP CHORD 2-19=-263/445, 3-19=-234/556, 3-4=-1542/106, 4-5=-1397/132, 5-20=-1489/196,
20-21=-1394/198, 6-21=-1379/225, 6-22=-1367/235, 22-23=-1385/208, 7-23=-1480/190,
7-8=-2013/225, 8-9=-2199/199, 9-24=-2652/225, 10-24=-2814/205
BOT CHORD 2-18=-388/273, 17-18=-440/266, 16-17=0/1370, 16-25=0/1370, 15-25=0/1370,
15-26=-14/1822, 14-26=-14/1822, 13-14=-14/1822, 12-13=-117/2371, 10-12=-117/2371
WEBS 3-17=-199/1719, 5-17=-489/140, 3-18=-2006/345, 7-15=-956/158, 6-15=-92/921,
7-13=0/525, 9-12=0/303, 9-13=-603/114

NOTES-

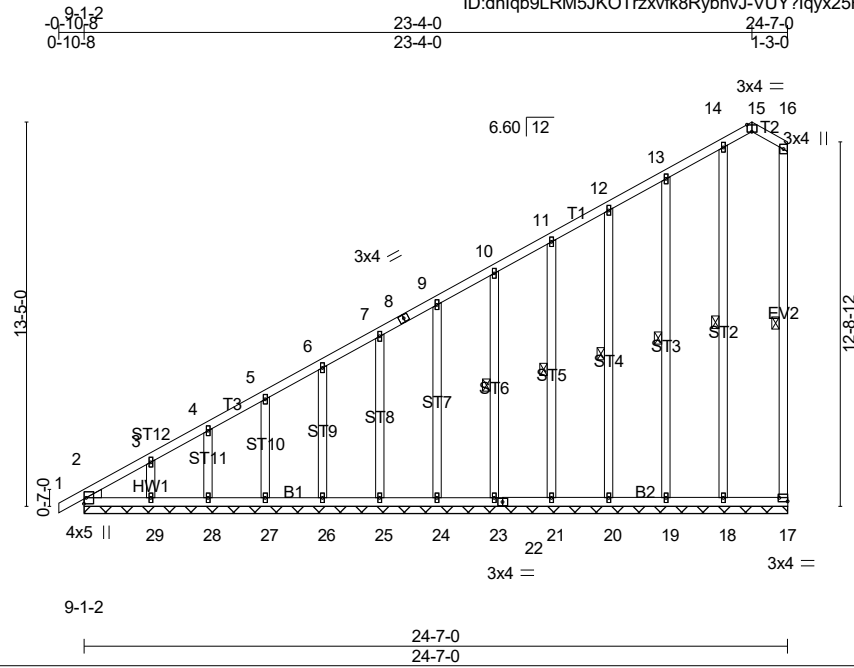
- Unbalanced roof live loads have been considered for this design.
- Wind: ASCE 7-10; Vult=115mph (3-second gust) Vasd=91mph; TCDL=6.0psf; BCDL=3.0psf; h=25ft; B=45ft; L=47ft; eave=6ft; Cat. II; Exp B; Enclosed; MWFRS (directional) and C-C Exterior(2) -0-10-8 to 3-9-8, Interior(1) 3-9-8 to 23-4-0, Exterior(2) 23-4-0 to 28-0-0, Interior(1) 28-0-0 to 47-6-8 zone; cantilever left and right exposed; end vertical left and right exposed; C-C for members and forces & MWFRS for reactions shown; Lumber DOL=1.60 plate grip DOL=1.60
- TCLL: ASCE 7-10; Pr=20.0 psf (roof live load: Lumber DOL=1.15 Plate DOL=1.15); Pg=20.0 psf (ground snow); Pf=15.4 psf (flat roof snow: Lumber DOL=1.15 Plate DOL=1.15); Category II; Exp B; Partially Exp.; Ct=1.10
- Unbalanced snow loads have been considered for this design.
- This truss has been designed for greater of min roof live load of 12.0 psf or 1.00 times flat roof load of 15.4 psf on overhangs non-concurrent with other live loads.
- All plates are 4x5 MT20 unless otherwise indicated.
- This truss has been designed for a 10.0 psf bottom chord live load nonconcurrent with any other live loads.
- * This truss has been designed for a live load of 20.0psf on the bottom chord in all areas where a rectangle 3-6-0 tall by 2-0-0 wide will fit between the bottom chord and any other members, with BCDL = 10.0psf.
- One H2.5A Simpson Strong-Tie connectors recommended to connect truss to bearing walls due to UPLIFT at jt(s) 18 and 10. This connection is for uplift only and does not consider lateral forces.
- This truss is designed in accordance with the 2015 International Residential Code sections R502.11.1 and R802.10.2 and referenced standard ANSI/TPI 1.

LOAD CASE(S) Standard

Job 2310931	Truss A2E	Truss Type GABLE	Qty 1	Ply 1	Lamco Custom - Kristie Bonus Rm. Job Reference (optional)
----------------	--------------	---------------------	----------	----------	--

Probuild East, Albemarle, NC 28001

8.240 s Mar 9 2020 MiTek Industries, Inc. Mon Apr 20 14:07:15 2020 Page 1
ID:dn1qb9LRM5JKOTrzxvfk8RybnvJ-VUY?lqyx25Re95JqoHTDVRc3xZbTZptirGvO5UzOnoA



Scale = 1:80.5

Plate Offsets (X,Y)-- [2:0-0-8,0-5-2], [2:0-0-4,0-0-7], [15:0-2-0,Edge], [17:Edge,0-1-8]

LOADING (psf)	SPACING-	CSI.	DEFL.	PLATES	GRIP
TCLL (roof) 20.0	Plate Grip DOL 1.15	TC 0.55	in (loc) l/defl L/d	MT20	244/190
Snow (Pf/Pg) 15.4/20.0	Lumber DOL 1.15	BC 0.26	Vert(LL) -0.00 1 n/r 120		
TCDL 10.0	Rep Stress Incr YES	WB 0.16	Vert(CT) 0.00 1 n/r 120		
BCLL 0.0 *	Code IRC2015/TPI2014	Matrix-SH	Horz(CT) -0.00 17 n/a n/a		
BCDL 10.0				Weight: 211 lb	FT = 20%

LUMBER-

TOP CHORD 2x4 SP No.2
 BOT CHORD 2x4 SP No.2
 WEBS 2x4 SP No.2
 OTHERS 2x4 SP No.3
 WEDGE
 Left: 2x4 SP No.2

BRACING-

TOP CHORD Structural wood sheathing directly applied or 6'-0-0 oc purlins, except end verticals.
 BOT CHORD Rigid ceiling directly applied or 10'-0-0 oc bracing.
 WEBS 1 Row at midpt 16-17, 14-18, 13-19, 12-20, 11-21, 10-23

MiTek recommends that Stabilizers and required cross bracing be installed during truss erection, in accordance with Stabilizer Installation guide.

REACTIONS.

All bearings 24-7-0.
 (lb) - Max Horz 2=235(LC 15)
 Max Uplift All uplift 100 lb or less at joint(s) 17, 2, 18, 19, 20, 21, 23, 24, 25, 26, 27, 28, 29
 Max Grav All reactions 250 lb or less at joint(s) 17, 2, 18, 19, 20, 21, 23, 24, 25, 26, 27, 28, 29

FORCES. (lb) - Max. Comp./Max. Ten. - All forces 250 (lb) or less except when shown.

TOP CHORD 2-3=-343/323, 3-4=-296/279, 4-5=-273/261

NOTES-

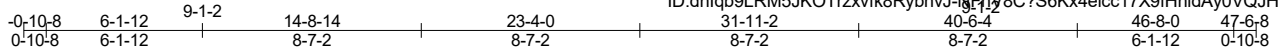
- Unbalanced roof live loads have been considered for this design.
- Wind: ASCE 7-10; Vult=115mph (3-second gust) Vasd=91mph; TCDL=6.0psf; BCDL=3.0psf; h=25ft; B=45ft; L=25ft; eave=2ft; Cat. II; Exp B; Enclosed; MWFRS (directional) and C-C Corner(3) -0-10-8 to 2-4-0, Exterior(2) 2-4-0 to 23-4-0, Corner(3) 23-4-0 to 24-5-4 zone; cantilever left and right exposed; end vertical left and right exposed; C-C for members and forces & MWFRS for reactions shown; Lumber DOL=1.60 plate grip DOL=1.60
- Truss designed for wind loads in the plane of the truss only. For studs exposed to wind (normal to the face), see Standard Industry Gable End Details as applicable, or consult qualified building designer as per ANSI/TPI 1.
- TCLL: ASCE 7-10; Pr=20.0 psf (roof live load: Lumber DOL=1.15 Plate DOL=1.15); Pg=20.0 psf (ground snow); Pf=15.4 psf (flat roof snow: Lumber DOL=1.15 Plate DOL=1.15); Category II; Exp B; Partially Exp.; Ct=1.10
- Unbalanced snow loads have been considered for this design.
- This truss has been designed for greater of min roof live load of 12.0 psf or 1.00 times flat roof load of 15.4 psf on overhangs non-concurrent with other live loads.
- All plates are 1.5x4 MT20 unless otherwise indicated.
- Gable requires continuous bottom chord bearing.
- Gable studs spaced at 2'-0-0 oc.
- This truss has been designed for a 10.0 psf bottom chord live load nonconcurrent with any other live loads.
- * This truss has been designed for a live load of 20.0psf on the bottom chord in all areas where a rectangle 3'-6-0 tall by 2'-0-0 wide will fit between the bottom chord and any other members.
- This truss is designed in accordance with the 2015 International Residential Code sections R502.11.1 and R802.10.2 and referenced standard ANSI/TPI 1.

LOAD CASE(S) Standard

Job 2310931	Truss A3	Truss Type Common	Qty 3	Ply 1	Lamco Custom - Kristie Bonus Rm. Job Reference (optional)
----------------	-------------	----------------------	----------	----------	--

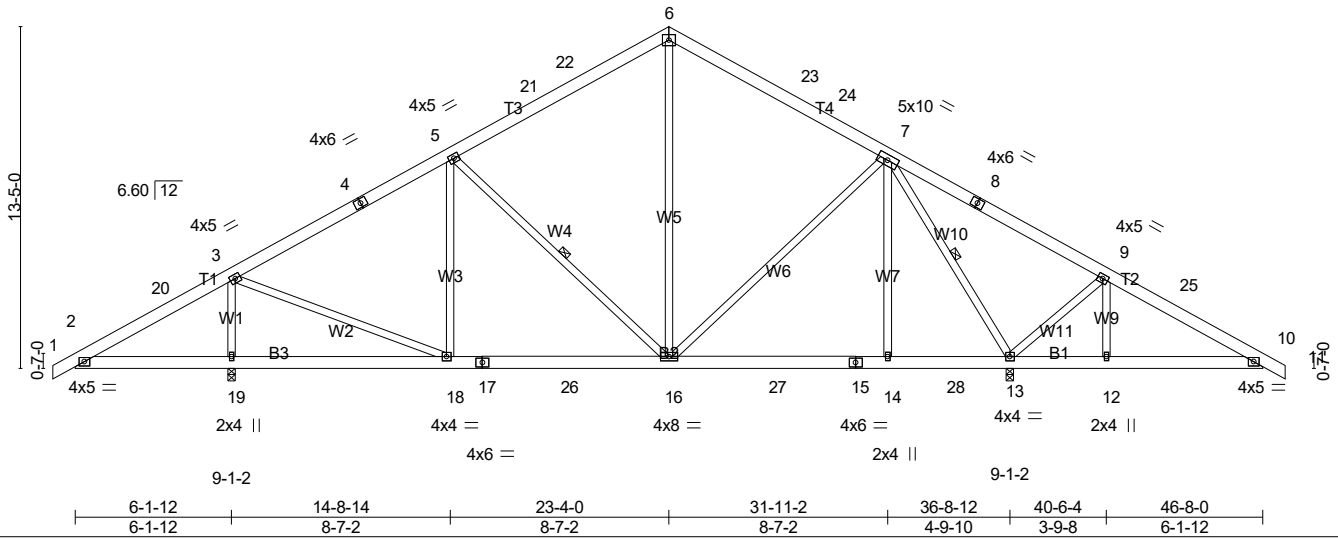
Probuild East, Albemarle, NC 28001

8.240 s Mar 9 2020 MiTek Industries, Inc. Mon Apr 20 14:07:19 2020 Page 1
ID:dn1qb9LRM5JKOTrzxvfk8RybnvJ-NFny8C?S6Kx4eicc17X9fhHndAyOVQJHmutcEGzOno6



5x6 =

Scale = 1:90.5



LOADING (psf)	SPACING-	CSI.	DEFL.	PLATES	GRIP
TCLL (roof) 20.0	2-0-0	TC 0.57	in (loc) l/defl L/d	MT20	244/190
Snow (Pf/Pg) 15.4/20.0	Plate Grip DOL 1.15	BC 0.35	Vert(LL) -0.06 16-18 >999 360		
TCDL 10.0	Lumber DOL 1.15	WB 0.90	Vert(CT) -0.10 14-16 >999 240		
BCLL 0.0 *	Rep Stress Incr YES	Matrix-SH	Horz(CT) -0.01 19 n/a n/a		
BCDL 10.0	Code IRC2015/TPI2014		Wind(LL) 0.02 16-18 >999 240		
				Weight: 357 lb	FT = 20%

LUMBER-
TOP CHORD 2x6 SP No.2
BOT CHORD 2x6 SP No.2
WEBS 2x4 SP No.3

BRACING-
TOP CHORD Structural wood sheathing directly applied or 6-0-0 oc purlins.
BOT CHORD Rigid ceiling directly applied or 6-0-0 oc bracing.
WEBS 1 Row at midpt 5-16, 7-13

MiTek recommends that Stabilizers and required cross bracing be installed during truss erection, in accordance with Stabilizer Installation guide.

REACTIONS. (lb/size) 19=1486/0-3-8 (min. 0-2-10), 13=1907/0-3-8 (min. 0-3-6)
Max Horz 13=-207(LC 14)
Max Uplift 19=-216(LC 16), 13=-132(LC 16)
Max Grav 19=1681(LC 2), 13=2157(LC 2)

FORCES. (lb) - Max. Comp./Max. Ten. - All forces 250 (lb) or less except when shown.
TOP CHORD 2-20=-264/450, 3-20=-235/561, 3-4=-969/45, 4-5=-783/70, 5-21=-757/112,
21-22=-663/114, 6-22=-644/141, 6-23=-648/142, 23-24=-665/115, 7-24=-760/97,
7-8=-319/1067, 8-9=-364/936, 9-25=-223/598, 10-25=-252/485
BOT CHORD 2-19=-392/274, 18-19=-392/274, 17-18=0/770, 17-26=0/770, 16-26=0/770,
16-27=-29/430, 15-27=-29/430, 14-15=-29/430, 14-28=-29/430, 13-28=-29/430,
12-13=-422/264, 10-12=-422/264
WEBS 3-19=-1488/269, 3-18=-113/1172, 5-18=-271/106, 5-16=-345/91, 6-16=-33/277,
7-16=-84/439, 7-14=0/353, 7-13=-1954/358, 9-13=-541/269

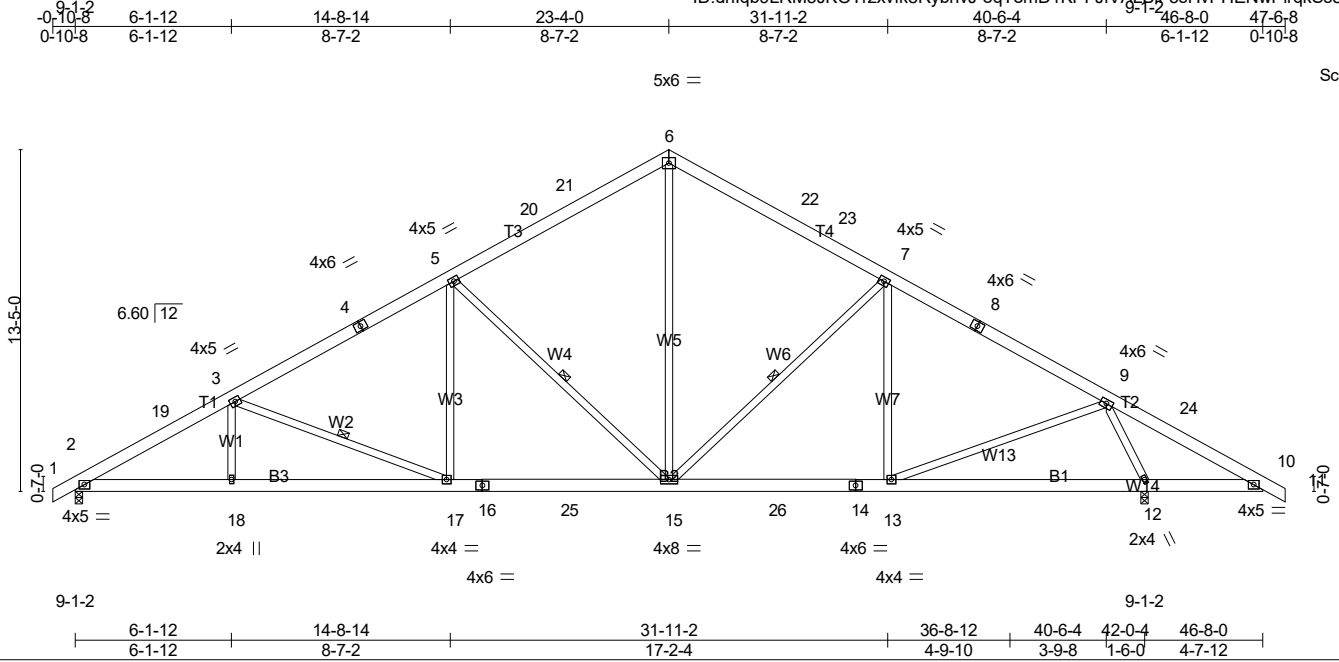
- NOTES-**
- Unbalanced roof live loads have been considered for this design.
 - Wind: ASCE 7-10; Vult=115mph (3-second gust) Vasd=91mph; TCDL=6.0psf; BCDL=3.0psf; h=25ft; B=45ft; L=47ft; eave=6ft; Cat. II; Exp B; Enclosed; MWFRS (directional) and C-C Exterior(2) -0-10-8 to 3-9-8, Interior(1) 3-9-8 to 23-4-0, Exterior(2) 23-4-0 to 28-0-0, Interior(1) 28-0-0 to 47-6-8 zone; cantilever left and right exposed; end vertical left and right exposed; C-C for members and forces & MWFRS for reactions shown; Lumber DOL=1.60 plate grip DOL=1.60
 - TCLL: ASCE 7-10; Pr=20.0 psf (roof live load: Lumber DOL=1.15 Plate DOL=1.15); Pg=20.0 psf (ground snow); Pf=15.4 psf (flat roof snow: Lumber DOL=1.15 Plate DOL=1.15); Category II; Exp B; Partially Exp.; Ct=1.10
 - Unbalanced snow loads have been considered for this design.
 - This truss has been designed for greater of min roof live load of 12.0 psf or 1.00 times flat roof load of 15.4 psf on overhangs non-concurrent with other live loads.
 - This truss has been designed for a 10.0 psf bottom chord live load nonconcurrent with any other live loads.
 - * This truss has been designed for a live load of 20.0psf on the bottom chord in all areas where a rectangle 3-6-0 tall by 2-0-0 wide will fit between the bottom chord and any other members, with BCDL = 10.0psf.
 - One H2.5A Simpson Strong-Tie connectors recommended to connect truss to bearing walls due to UPLIFT at jt(s) 19 and 13. This connection is for uplift only and does not consider lateral forces.
 - This truss is designed in accordance with the 2015 International Residential Code sections R502.11.1 and R802.10.2 and referenced standard ANSI/TPI 1.

LOAD CASE(S) Standard

Job 2310931	Truss A4	Truss Type Common	Qty 6	Ply 1	Lamco Custom - Kristie Bonus Rm. Job Reference (optional)
----------------	-------------	----------------------	----------	----------	--

Probuild East, Albemarle, NC 28001

8.240 s Mar 9 2020 MiTek Industries, Inc. Mon Apr 20 14:07:22 2020 Page 1
ID:dnIqb9LRM5JKOTrzxvfk8RybnvJ-oqTemD1KPFJvALBjF5sHvPHENwPirqkSs5GrazOno3



Scale = 1:90.5

LOADING (psf)	SPACING-	CSI.	DEFL.	PLATES	GRIP
TCLL (roof) 20.0	2-0-0	TC 0.49	in (loc) l/defl L/d	MT20	244/190
Snow (Pf/Pg) 15.4/20.0	Plate Grip DOL 1.15	BC 0.56	Vert(LL) -0.12 15-17 >999 360		
TCDL 10.0	Lumber DOL 1.15	WB 0.66	Vert(CT) -0.23 15-17 >999 240		
BCLL 0.0 *	Rep Stress Incr YES	Matrix-SH	Horz(CT) 0.08 12 n/a n/a		
BCDL 10.0	Code IRC2015/TPI2014		Wind(LL) 0.06 17 >999 240		
				Weight: 351 lb	FT = 20%

LUMBER-

TOP CHORD 2x6 SP No.2
BOT CHORD 2x6 SP No.2
WEBS 2x4 SP No.3

BRACING-

TOP CHORD Structural wood sheathing directly applied or 4-1-8 oc purlins.
BOT CHORD Rigid ceiling directly applied or 10-0-0 oc bracing, Except:
6-0-0 oc bracing: 10-12.
WEBS 1 Row at midpt 3-17, 5-15, 7-15

MiTek recommends that Stabilizers and required cross bracing be installed during truss erection, in accordance with Stabilizer Installation guide.

REACTIONS. (lb/size) 2=1516/0-3-8 (min. 0-2-11), 12=1874/0-3-8 (min. 0-3-5)
Max Horz 2=207(LC 15)
Max Uplift 2=-115(LC 16), 12=-139(LC 16)
Max Grav 2=1716(LC 2), 12=2120(LC 2)

FORCES. (lb) - Max. Comp./Max. Ten. - All forces 250 (lb) or less except when shown.

TOP CHORD 2-19=-2982/229, 3-19=-2819/250, 3-4=-2360/224, 4-5=-2171/250, 5-20=-1651/216,
20-21=-1544/234, 6-21=-1525/261, 6-22=-1538/252, 22-23=-1553/225, 7-23=-1650/222,
7-8=-1745/187, 8-9=-1889/160, 9-24=-213/485, 10-24=-246/380
BOT CHORD 2-18=-146/2621, 17-18=-146/2621, 16-17=-41/2103, 16-25=-41/2103, 15-25=-41/2103,
15-26=0/1583, 14-26=0/1583, 13-14=0/1583, 12-13=0/592, 10-12=-331/257
WEBS 3-18=0/301, 3-17=-599/113, 5-17=0/527, 5-15=-955/157, 7-15=-396/91, 6-15=-117/1075,
9-13=-83/1086, 9-12=-2092/350

NOTES-

- 1) Unbalanced roof live loads have been considered for this design.
- 2) Wind: ASCE 7-10; Vult=115mph (3-second gust) Vasd=91mph; TCDL=6.0psf; BCDL=3.0psf; h=25ft; B=45ft; L=47ft; eave=6ft; Cat. II; Exp B; Enclosed; MWFRS (directional) and C-C Exterior(2) -0-10-8 to 3-9-8, Interior(1) 3-9-8 to 23-4-0, Exterior(2) 23-4-0 to 28-0-0, Interior(1) 28-0-0 to 47-6-8 zone; cantilever left and right exposed; end vertical left and right exposed; C-C for members and forces & MWFRS for reactions shown; Lumber DOL=1.60 plate grip DOL=1.60
- 3) TCLL: ASCE 7-10; Pr=20.0 psf (roof live load: Lumber DOL=1.15 Plate DOL=1.15); Pg=20.0 psf (ground snow); Pf=15.4 psf (flat roof snow: Lumber DOL=1.15 Plate DOL=1.15); Category II; Exp B; Partially Exp.; Ct=1.10
- 4) Unbalanced snow loads have been considered for this design.
- 5) This truss has been designed for greater of min roof live load of 12.0 psf or 1.00 times flat roof load of 15.4 psf on overhangs non-concurrent with other live loads.
- 6) This truss has been designed for a 10.0 psf bottom chord live load nonconcurrent with any other live loads.
- 7) * This truss has been designed for a live load of 20.0psf on the bottom chord in all areas where a rectangle 3-6-0 tall by 2-0-0 wide will fit between the bottom chord and any other members, with BCDL = 10.0psf.
- 8) One H2.5A Simpson Strong-Tie connectors recommended to connect truss to bearing walls due to UPLIFT at jt(s) 2 and 12. This connection is for uplift only and does not consider lateral forces.
- 9) This truss is designed in accordance with the 2015 International Residential Code sections R502.11.1 and R802.10.2 and referenced standard ANSI/TPI 1.

LOAD CASE(S) Standard

Job 2310931	Truss A5	Truss Type Common	Qty 6	Ply 1	Lamco Custom - Kristie Bonus Rm. Job Reference (optional)
----------------	-------------	----------------------	----------	----------	--

Probuild East, Albemarle, NC 28001

8.240 s Mar 9 2020 MiTek Industries, Inc. Mon Apr 20 14:07:25 2020 Page 1
ID: dnlqb9LRM5JKOTrzxvfk8RybnvJ-CP8mOF4DIAhEMd3INNeZvX1jxbxav8rA8qKwSvzOno

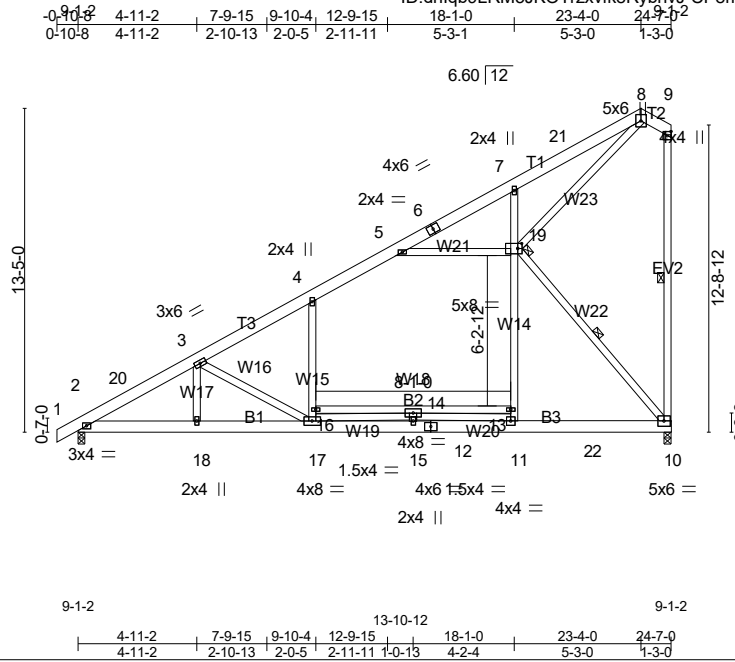


Plate Offsets (X,Y)-- [19:0-2-0,0-2-8]

LOADING (psf)	SPACING-	CSI.	DEFL.	PLATES	GRIP
TCLL (roof) 20.0	2-0-0	TC 0.78	in (loc) l/defl L/d	MT20	244/190
Snow (Pf/Pg) 15.4/20.0	Plate Grip DOL 1.15	BC 0.59	Vert(LL) -0.16 17 >999 360		
TCDL 10.0	Lumber DOL 1.15	WB 0.96	Horz(CT) 0.03 10 n/a n/a		
BCLL 0.0 *	Rep Stress Incr YES	Matrix-SH	Wind(LL) 0.13 17 >999 240		
BCDL 10.0	Code IRC2015/TPI2014			Weight: 233 lb	FT = 20%

LUMBER-

TOP CHORD 2x6 SP No.2
 BOT CHORD 2x6 SP No.2 *Except*
 B2: 2x4 SP No.2
 WEBS 2x4 SP No.3 *Except*
 EV2: 2x4 SP No.2

BRACING-

TOP CHORD Structural wood sheathing directly applied or 3-10-14 oc purlins, except end verticals.
 BOT CHORD Rigid ceiling directly applied or 10-0-0 oc bracing. Except: 6-0-0 oc bracing: 13-16
 WEBS 1 Row at midpt 9-10, 10-19
 JOINTS 1 Brace at Jt(s): 19

MiTek recommends that Stabilizers and required cross bracing be installed during truss erection, in accordance with Stabilizer Installation guide.

REACTIONS. (lb/size) 2=986/0-3-8 (min. 0-1-12), 10=954/0-3-8 (min. 0-1-12)
 Max Horz 2=350(LC 15)
 Max Uplift 2=-42(LC 16), 10=-41(LC 16)
 Max Grav 2=1107(LC 2), 10=1103(LC 28)

FORCES. (lb) - Max. Comp./Max. Ten. - All forces 250 (lb) or less except when shown.
 TOP CHORD 2-20=-1848/96, 3-20=-1732/113, 3-4=-1283/87, 4-5=-935/131, 5-6=-320/616,
 6-7=-294/659, 7-21=-227/574, 8-21=-200/598
 BOT CHORD 2-18=-309/1578, 17-18=-309/1578, 15-17=-140/1517, 12-15=-140/1517, 11-12=-140/1517,
 11-22=-219/944, 10-22=-219/944, 14-16=-265/46
 WEBS 11-13=-12/498, 13-19=-1/574, 16-17=0/472, 4-16=0/547, 3-17=-688/105, 3-18=0/264,
 14-17=-478/0, 11-14=-944/0, 5-19=-1389/216, 10-19=-1413/199, 8-19=-639/143

NOTES-

- Unbalanced roof live loads have been considered for this design.
- Wind: ASCE 7-10; Vult=115mph (3-second gust) Vasd=91mph; TCDL=6.0psf; BCDL=3.0psf; h=25ft; B=45ft; L=25ft; eave=4ft; Cat. II; Exp B; Enclosed; MWFRS (directional) and C-C Exterior(2) 0-10-8 to 2-1-8, Interior(1) 2-1-8 to 23-4-0, Exterior(2) 23-4-0 to 24-5-4 zone; cantilever left and right exposed ; end vertical left and exposed; C-C for members and forces & MWFRS for reactions shown; Lumber DOL=1.60 plate grip DOL=1.60
- TCLL: ASCE 7-10; Pr=20.0 psf (roof live load: Lumber DOL=1.15 Plate DOL=1.15); Pg=20.0 psf (ground snow); Pf=15.4 psf (flat roof snow: Lumber DOL=1.15 Plate DOL=1.15); Category II; Exp B; Partially Exp.; Ct=1.10
- Unbalanced snow loads have been considered for this design.
- This truss has been designed for greater of min roof live load of 12.0 psf or 1.00 times flat roof load of 15.4 psf on overhangs non-concurrent with other live loads.
- This truss has been designed for a 10.0 psf bottom chord live load nonconcurrent with any other live loads.
- * This truss has been designed for a live load of 20.0psf on the bottom chord in all areas where a rectangle 3-6-0 tall by 2-0-0 wide will fit between the bottom chord and any other members, with BCDL = 10.0psf.
- One H2.5A Simpson Strong-Tie connectors recommended to connect truss to bearing walls due to UPLIFT at jt(s) 2 and 10. This connection is for uplift only and does not consider lateral forces.
- This truss is designed in accordance with the 2015 International Residential Code sections R502.11.1 and R802.10.2 and referenced standard ANSI/TPI 1.

LOAD CASE(S) Standard

Job 2310931	Truss A6	Truss Type Monopitch	Qty 4	Ply 1	Lamco Custom - Kristie Bonus Rm. Job Reference (optional)
----------------	-------------	-------------------------	----------	----------	--

Probuild East, Albemarle, NC 28001 8.240 s Mar 9 2020 MiTek Industries, Inc. Mon Apr 20 14:07:29 2020 Page 1
ID: dnlqb9LRM5JKOTrzxvf8RybnvJ-5AOHEd7jOBfrFNXcDjv3NBO?CHRrz1m3SI8ahzOnny

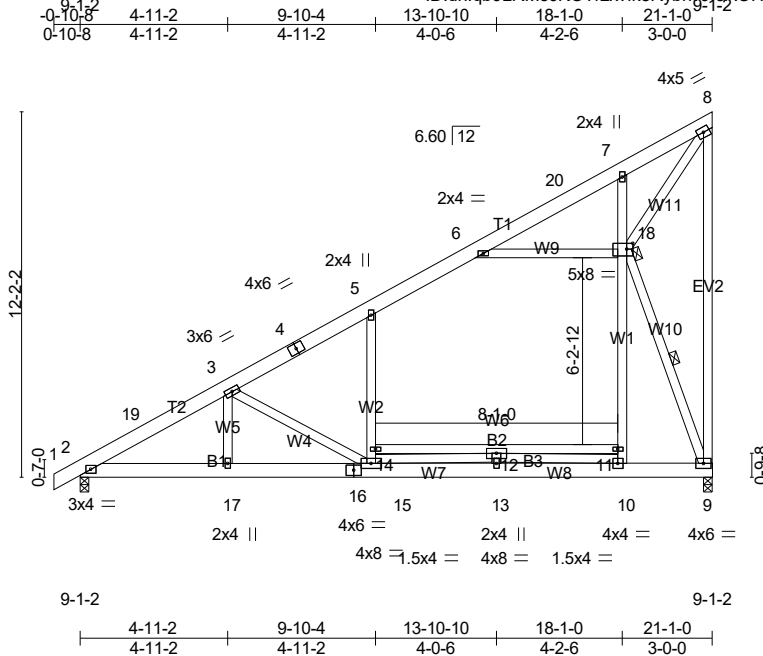


Plate Offsets (X,Y)-- [18:0-2-8,0-2-4]
--

LOADING (psf)	SPACING-	CSI.	DEFL.	PLATES	GRIP
TCLL (roof) 20.0	2-0-0	TC 0.84	in (loc) l/defl L/d	MT20	244/190
Snow (Pf/Pg) 15.4/20.0	Plate Grip DOL 1.15	BC 0.66	Vert(LL) -0.16 15 >999 360		
TCDL 10.0	Lumber DOL 1.15	WB 0.88	Vert(CT) -0.40 15 >624 240		
BCLL 0.0 *	Rep Stress Incr YES	Matrix-SH	Horz(CT) 0.02 9 n/a n/a		
BCDL 10.0	Code IRC2015/TPI2014		Wind(LL) 0.12 15 >999 240		
				Weight: 207 lb	FT = 20%

LUMBER-
TOP CHORD 2x6 SP No.2
BOT CHORD 2x6 SP No.2 *Except*
 B2: 2x4 SP No.2
WEBS 2x4 SP No.3 *Except*
 EV2,W2: 2x4 SP No.2

BRACING-
TOP CHORD Structural wood sheathing directly applied or 5-0-8 oc purlins, except end verticals.
BOT CHORD Rigid ceiling directly applied or 10-0-0 oc bracing. Except: 6-0-0 oc bracing: 11-14
WEBS 1 Row at midpt 9-18
JOINTS 1 Brace at Jt(s): 18

MiTek recommends that Stabilizers and required cross bracing be installed during truss erection, in accordance with Stabilizer Installation guide.

REACTIONS. (lb/size) 9=846/0-3-8 (min. 0-1-9), 2=846/0-3-8 (min. 0-1-8)
Max Horz 2=322(LC 13)
Max Uplift 9=-33(LC 13), 2=-38(LC 16)
Max Grav 9=981(LC 21), 2=951(LC 2)

FORCES. (lb) - Max. Comp./Max. Ten. - All forces 250 (lb) or less except when shown.
TOP CHORD 2-19=-1549/84, 3-19=-1433/101, 3-4=-963/72, 4-5=-838/83, 5-6=-626/123,
6-20=-314/802, 7-20=-288/845, 7-8=-216/766, 8-9=-106/574
BOT CHORD 2-17=-270/1311, 16-17=-270/1311, 15-16=-270/1311, 13-15=-76/1279, 10-13=-76/1279,
9-10=-167/657, 12-14=-311/32
WEBS 10-11=-40/586, 11-18=-29/661, 14-15=0/455, 5-14=0/529, 3-15=-711/111, 3-17=0/276,
12-15=-429/0, 10-12=-945/0, 6-18=-1323/195, 9-18=-1744/227, 8-18=-1189/206

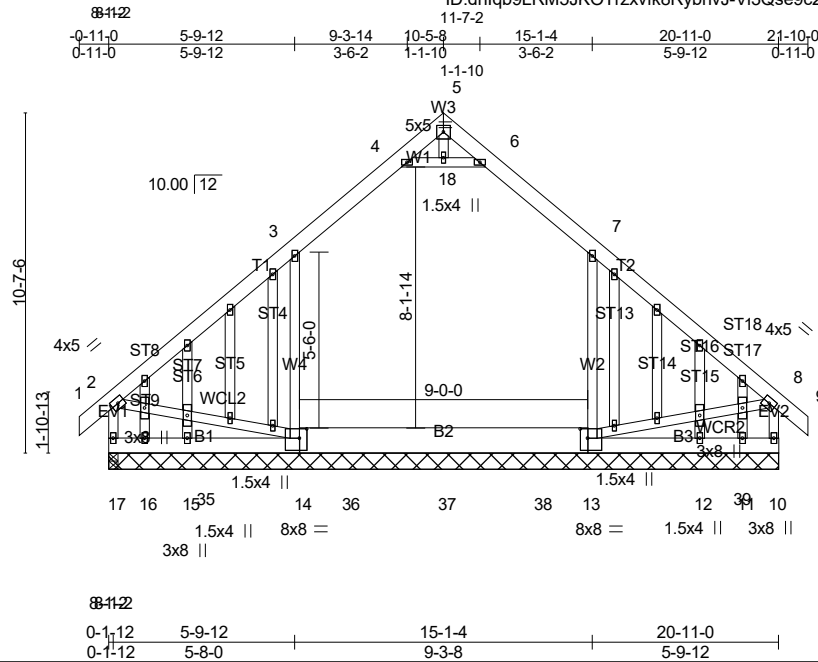
- NOTES-**
- 1) Wind: ASCE 7-10; Vult=115mph (3-second gust) Vasd=91mph; TCDL=6.0psf; BCDL=3.0psf; h=25ft; B=45ft; L=24ft; eave=4ft; Cat. II; Exp B; Enclosed; MWFRS (directional) and C-C Exterior(2) -0-10-8 to 2-1-8, Interior(1) 2-1-8 to 20-11-4 zone; cantilever left and right exposed; end vertical left and exposed; C-C for members and forces & MWFRS for reactions shown; Lumber DOL=1.60 plate grip DOL=1.60
 - 2) TCLL: ASCE 7-10; Pr=20.0 psf (roof live load: Lumber DOL=1.15 Plate DOL=1.15); Pg=20.0 psf (ground snow); Pf=15.4 psf (flat roof snow: Lumber DOL=1.15 Plate DOL=1.15); Category II; Exp B; Partially Exp.; Ct=1.10
 - 3) Unbalanced snow loads have been considered for this design.
 - 4) This truss has been designed for greater of min roof live load of 12.0 psf or 1.00 times flat roof load of 15.4 psf on overhangs non-concurrent with other live loads.
 - 5) This truss has been designed for a 10.0 psf bottom chord live load nonconcurrent with any other live loads.
 - 6) * This truss has been designed for a live load of 20.0psf on the bottom chord in all areas where a rectangle 3-6-0 tall by 2-0-0 wide will fit between the bottom chord and any other members.
 - 7) One H2.5A Simpson Strong-Tie connectors recommended to connect truss to bearing walls due to UPLIFT at jt(s) 9 and 2. This connection is for uplift only and does not consider lateral forces.
 - 8) This truss is designed in accordance with the 2015 International Residential Code sections R502.11.1 and R802.10.2 and referenced standard ANSI/TPI 1.

LOAD CASE(S) Standard

Job 2310931	Truss B1E	Truss Type GABLE	Qty 1	Ply 1	Lamco Custom - Kristie Bonus Rm. Job Reference (optional)
----------------	--------------	---------------------	----------	----------	--

Probuild East, Albemarle, NC 28001

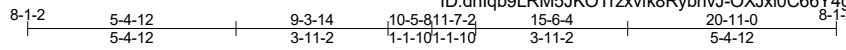
8.240 s Mar 9 2020 MiTek Industries, Inc. Mon Apr 20 14:07:32 2020 Page 1
ID: dnlqb9LRM5JKOTrzxvfk8RybnvJ-VI3Qse9c2JaEii66HLGCh0p2sPQB2UHCIQWoB?zOnnv



Job 2310931	Truss B2	Truss Type Attic	Qty 9	Ply 1	Lamco Custom - Kristie Bonus Rm. Job Reference (optional)
----------------	-------------	---------------------	----------	----------	--

Probuild East, Albemarle, NC 28001

8.240 s Mar 9 2020 MiTek Industries, Inc. Mon Apr 20 14:07:36 2020 Page 1
ID: dnlqb9LRM5JKOTrzxvfk8RybnvJ-OXJxi0C66Y4gAKPtWBL8rs_er0e0_G6ng2V?KnzOnnr



Scale = 1:59.6

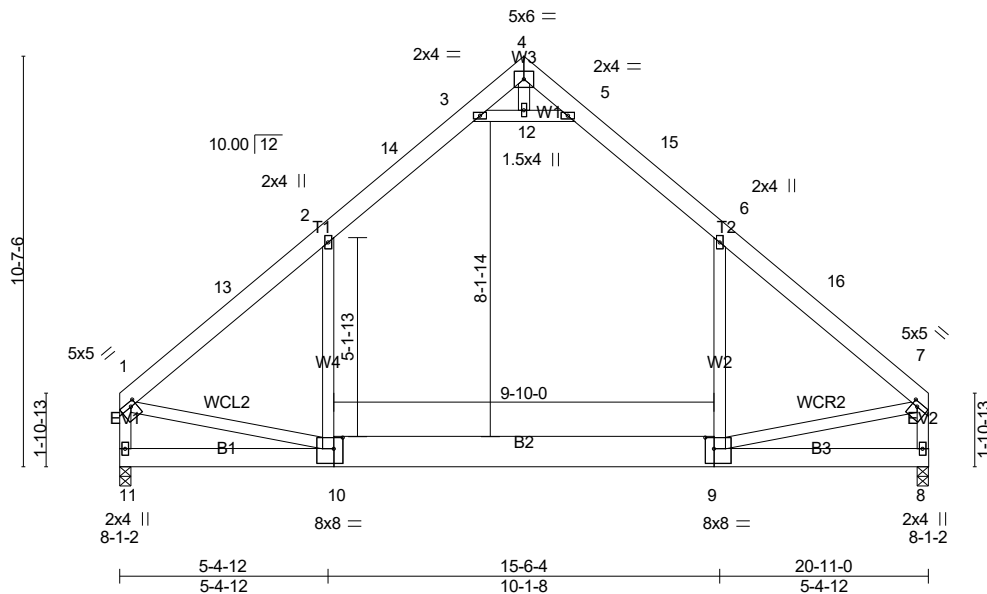


Plate Offsets (X,Y)-- [1:0-1-12,0-1-8], [7:0-1-12,0-1-8], [9:0-2-12,0-3-8], [10:0-2-12,0-3-8]

LOADING (psf)		SPACING-		CSI.		DEFL.				PLATES	GRIP
TCLL (roof)	20.0	Plate Grip DOL	2-0-0	TC	0.61	in (loc)	l/defl	L/d		MT20	244/190
Snow (Pf/Pg)	15.4/20.0	Lumber DOL	1.15	BC	0.79	Vert(LL)	-0.21 9-10	>999	360		
TCDL	10.0	Rep Stress Incr	YES	WB	0.28	Vert(CT)	-0.35 9-10	>703	240		
BCLL	0.0 *	Code IRC2015/TPI2014		Matrix-SH		Horz(CT)	0.02 8	n/a	n/a		
BCDL	10.0					Wind(LL)	0.06 9-10	>999	240	Weight: 170 lb	FT = 20%

LUMBER-

TOP CHORD 2x6 SP DSS
 BOT CHORD 2x6 SP No.2 *Except*
 B2: 2x10 SP No.2
 WEBS 2x4 SP No.3 *Except*
 W2,W4,W1: 2x4 SP No.2

BRACING-

TOP CHORD Structural wood sheathing directly applied or 6-0-0 oc purlins, except end verticals.
 BOT CHORD Rigid ceiling directly applied or 10-0-0 oc bracing.

MiTek recommends that Stabilizers and required cross bracing be installed during truss erection, in accordance with Stabilizer Installation guide.

REACTIONS. (lb/size) 11=887/0-3-8 (min. 0-1-14), 8=887/0-3-8 (min. 0-1-14)
 Max Horz 11=-180(LC 12)
 Max Grav 11=1180(LC 24), 8=1180(LC 25)

FORCES. (lb) - Max. Comp./Max. Ten. - All forces 250 (lb) or less except when shown.
 TOP CHORD 1-13=-1274/0, 2-13=-1123/0, 2-14=-842/34, 3-14=-717/72, 3-4=-35/650, 4-5=-34/646,
 5-15=-719/73, 6-15=-844/35, 6-16=-1127/0, 7-16=-1278/0, 1-11=-1154/0, 7-8=-1158/0
 BOT CHORD 10-11=-138/278, 9-10=0/871
 WEBS 6-9=0/526, 2-10=0/526, 3-12=-1688/131, 5-12=-1688/131, 1-10=0/768, 7-9=0/772

NOTES-

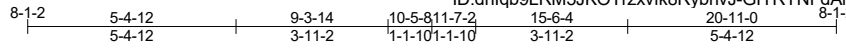
- Unbalanced roof live loads have been considered for this design.
- Wind: ASCE 7-10; Vult=115mph (3-second gust) Vasd=91mph; TCDL=6.0psf; BCDL=3.0psf; h=25ft; B=45ft; L=24ft; eave=4ft; Cat. II; Exp B; Enclosed; MWFRS (directional) and C-C Exterior(2) 0-1-12 to 3-1-12, Interior(1) 3-1-12 to 10-5-8, Exterior(2) 10-5-8 to 13-5-8, Interior(1) 13-5-8 to 20-9-4 zone; cantilever left and right exposed; end vertical left and right exposed; C-C for members and forces & MWFRS for reactions shown; Lumber DOL=1.60 plate grip DOL=1.60
- TCLL: ASCE 7-10; Pr=20.0 psf (roof live load: Lumber DOL=1.15 Plate DOL=1.15); Pg=20.0 psf (ground snow); Pf=15.4 psf (flat roof snow: Lumber DOL=1.15 Plate DOL=1.15); Category II; Exp B; Partially Exp.; Ct=1.10
- This truss has been designed for a 10.0 psf bottom chord live load nonconcurrent with any other live loads.
- * This truss has been designed for a live load of 20.0psf on the bottom chord in all areas where a rectangle 3-6-0 tall by 2-0-0 wide will fit between the bottom chord and any other members.
- Ceiling dead load (5.0 psf) on member(s). 2-3, 5-6, 3-12, 5-12; Wall dead load (5.0psf) on member(s).6-9, 2-10
- Bottom chord live load (40.0 psf) and additional bottom chord dead load (5.0 psf) applied only to room. 9-10
- This truss is designed in accordance with the 2015 International Residential Code sections R502.11.1 and R802.10.2 and referenced standard ANSI/TPI 1.
- Attic room checked for L/360 deflection.

LOAD CASE(S) Standard

Job 2310931	Truss B3G-2	Truss Type ATTIC GIRDER	Qty 1	Ply 2	Lamco Custom - Kristie Bonus Rm. Job Reference (optional)
----------------	----------------	----------------------------	----------	----------	--

Probuild East, Albemarle, NC 28001

8.240 s Mar 9 2020 MiTek Industries, Inc. Mon Apr 20 14:07:40 2020 Page 1
ID: dnlqb9LRM5JKOTrzxvfk8RybnvJ-GIYRYNFDAna5fxjel1P40i9J0e4Jw4VNbfTDTYzOnnn



Scale = 1:59.6

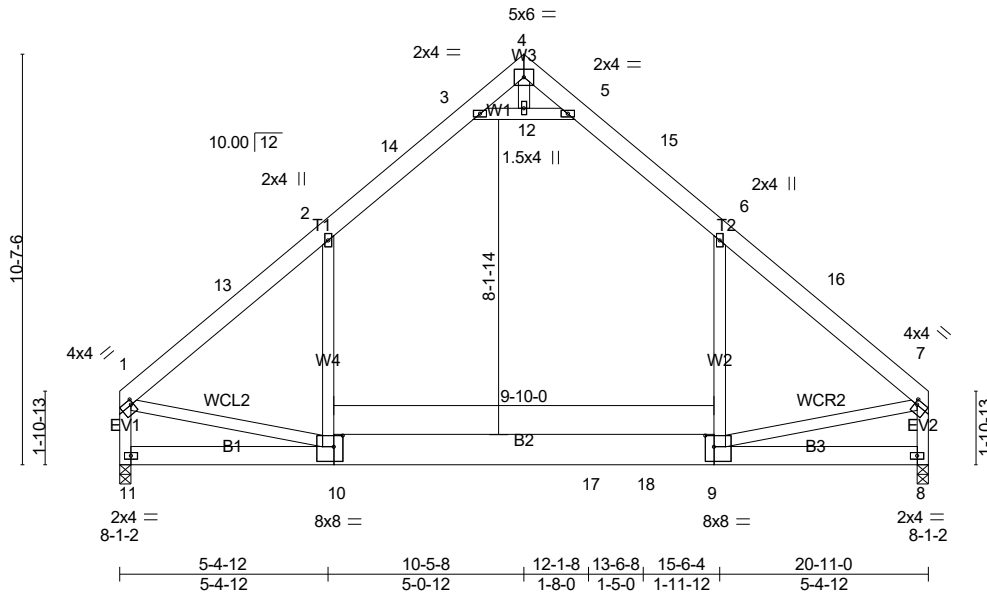


Plate Offsets (X,Y)-- [1:0-0-12,0-1-8], [7:0-0-12,0-1-8], [9:0-2-12,0-3-8], [10:0-2-12,0-3-8]

LOADING (psf)		SPACING-	2-0-0	CSI.		DEFL.	in (loc)	l/defl	L/d	PLATES	GRIP	
TCLL (roof)	20.0	Plate Grip DOL	1.15	TC	0.66	Vert(LL)	-0.22	9-10	>999	360	MT20	244/190
Snow (Pf/Pg)	15.4/20.0	Lumber DOL	1.15	BC	0.51	Vert(CT)	-0.35	9-10	>713	240		
TCDL	10.0	Rep Stress Incr	NO	WB	0.26	Horz(CT)	0.02	8	n/a	n/a		
BCLL	0.0 *	Code IRC2015/TPI2014		Matrix-SH		Wind(LL)	0.07	9-10	>999	240		
BCDL	10.0										Weight: 339 lb	FT = 20%

LUMBER-

TOP CHORD 2x6 SP DSS
 BOT CHORD 2x6 SP No.2 *Except*
 B2: 2x10 SP DSS
 WEBS 2x4 SP No.3 *Except*
 W2,W4,W1: 2x4 SP No.2

BRACING-

TOP CHORD Structural wood sheathing directly applied or 6-0-0 oc purlins, except end verticals.
 BOT CHORD Rigid ceiling directly applied or 10-0-0 oc bracing.

REACTIONS. (lb/size) 11=1174/0-3-8 (min. 0-1-8), 8=1340/0-3-8 (min. 0-1-10)
 Max Horz 11=-180(LC 12)
 Max Grav 11=1768(LC 24), 8=2104(LC 24)

FORCES. (lb) - Max. Comp./Max. Ten. - All forces 250 (lb) or less except when shown.
 TOP CHORD 1-13=-2039/0, 2-13=-1888/16, 2-14=-1312/91, 3-14=-1188/109, 3-4=-80/1248,
 4-5=-86/1309, 5-15=-1124/103, 6-15=-1249/66, 6-16=-2032/24, 7-16=-2183/11,
 1-11=-1844/27, 7-8=-1988/36
 BOT CHORD 10-11=-140/273, 10-17=0/1459, 17-18=0/1459, 9-18=0/1459, 8-9=-41/306
 WEBS 6-9=-0/1229, 2-10=0/938, 3-12=-3162/241, 5-12=-3162/241, 1-10=0/1336, 7-9=0/1179

NOTES-

- 2-ply truss to be connected together with 10d (0.131"x3") nails as follows:
 Top chords connected as follows: 2x6 - 2 rows staggered at 0-9-0 oc, 2x4 - 1 row at 0-9-0 oc.
 Bottom chords connected as follows: 2x6 - 2 rows staggered at 0-9-0 oc, 2x10 - 2 rows staggered at 0-9-0 oc.
 Webs connected as follows: 2x4 - 1 row at 0-9-0 oc.
- All loads are considered equally applied to all plies, except if noted as front (F) or back (B) face in the LOAD CASE(S) section. Ply to ply connections have been provided to distribute only loads noted as (F) or (B), unless otherwise indicated.
- Unbalanced roof live loads have been considered for this design.
- Wind: ASCE 7-10; Vult=115mph (3-second gust) Vasd=91mph; TCDL=6.0psf; BCDL=3.0psf; h=25ft; B=45ft; L=24ft; eave=4ft; Cat. II; Exp B; Enclosed; MWFRS (directional) and C-C Exterior(2) 0-1-12 to 3-1-12, Interior(1) 3-1-12 to 10-5-8, Exterior(2) 10-5-8 to 13-5-8, Interior(1) 13-5-8 to 20-9-4 zone; cantilever left and right exposed; end vertical left and right exposed; C-C for members and forces & MWFRS for reactions shown; Lumber DOL=1.60 plate grip DOL=1.60
- TCLL: ASCE 7-10; Pr=20.0 psf (roof live load: Lumber DOL=1.15 Plate DOL=1.15); Pg=20.0 psf (ground snow); Pf=15.4 psf (flat roof snow: Lumber DOL=1.15 Plate DOL=1.15); Category II; Exp B; Partially Exp.; Ct=1.10
- This truss has been designed for a 10.0 psf bottom chord live load nonconcurrent with any other live loads.
- * This truss has been designed for a live load of 20.0psf on the bottom chord in all areas where a rectangle 3-6-0 tall by 2-0-0 wide will fit between the bottom chord and any other members.
- Ceiling dead load (5.0 psf) on member(s). 2-3, 5-6, 3-12, 5-12; Wall dead load (5.0psf) on member(s).6-9, 2-10
- Bottom chord live load (40.0 psf) and additional bottom chord dead load (5.0 psf) applied only to room. 9-10
- Bearing at joint(s) 11, 8 considers parallel to grain value using ANSI/TPI 1 angle to grain formula. Building designer should verify capacity of bearing surface.
- This truss is designed in accordance with the 2015 International Residential Code sections R502.11.1 and R802.10.2 and referenced standard ANSI/TPI 1.

Job	Truss	Truss Type	Qty	Ply	Lamco Custom - Kristie Bonus Rm.
2310931	B3G-2	ATTIC GIRDER	1	2	Job Reference (optional)

Probuild East, Albemarle, NC 28001

8.240 s Mar 9 2020 MiTek Industries, Inc. Mon Apr 20 14:07:40 2020 Page 2
 ID:dnlqb9LRM5JKOTrzxvfk8RybnvJ-GIYRYNFdAna5fxjel1P40i9J0e4Jw4VNbfTDYzOnnn

NOTES-

- 12) Hanger(s) or other connection device(s) shall be provided sufficient to support concentrated load(s) 685 lb down and 50 lb up at 13-6-8, and 828 lb down and 60 lb up at 12-1-8 on bottom chord. The design/selection of such connection device(s) is the responsibility of others.
- 13) Attic room checked for L/360 deflection.

LOAD CASE(S) Standard

1) Dead + Snow (balanced): Lumber Increase=1.15, Plate Increase=1.15

Uniform Loads (plf)

Vert: 1-2=-51, 2-3=-61, 3-4=-51, 4-5=-51, 5-6=-61, 6-7=-51, 10-11=-20, 9-10=-30, 8-9=-20, 3-5=-10

Drag: 6-9=-10, 2-10=-10

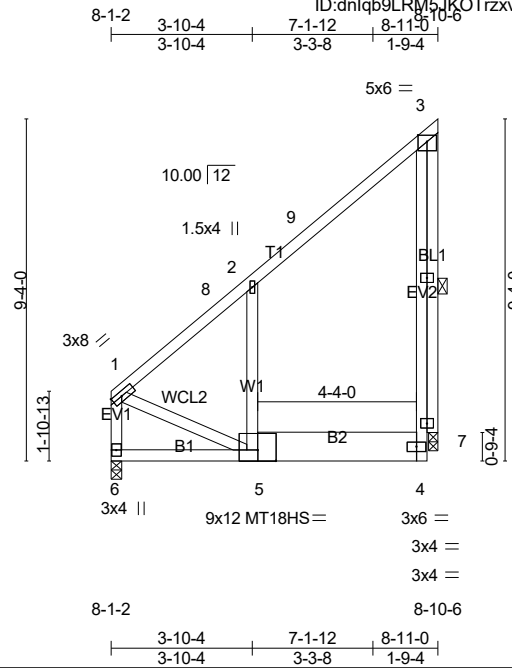
Concentrated Loads (lb)

Vert: 17=-405(F) 18=-335(F)

Job 2310931	Truss B4	Truss Type Monopitch	Qty 2	Ply 1	Lamco Custom - Kristie Bonus Rm. Job Reference (optional)
----------------	-------------	-------------------------	----------	----------	--

Probuild East, Albemarle, NC 28001

8.240 s Mar 9 2020 MiTek Industries, Inc. Mon Apr 20 14:07:43 2020 Page 1



Scale = 1:62.9

LOADING (psf)	SPACING-	CSI.	DEFL.	PLATES	GRIP
TCLL (roof) 20.0	2-0-0	TC 0.41	in (loc) l/defl L/d	MT20	244/190
Snow (Pf/Pg) 15.4/20.0	Plate Grip DOL 1.15	BC 0.90	Vert(LL) -0.14 5-6 >767 360	MT18HS	244/190
TCDL 10.0	Lumber DOL 1.15	WB 0.19	Vert(CT) -0.27 5-6 >378 240		
BCLL 0.0 *	Rep Stress Incr YES	Matrix-SH	Horz(CT) -0.02 7 n/a n/a		
BCDL 10.0	Code IRC2015/TPI2014		Wind(LL) 0.18 5-6 >566 240	Weight: 80 lb	FT = 20%

LUMBER-

TOP CHORD 2x4 SP No.2
 BOT CHORD 2x4 SP No.1 *Except*
 B2: 2x10 SP No.2
 WEBS 2x4 SP No.2 *Except*
 EV1,WCL2: 2x4 SP No.3
 OTHERS 2x4 SP No.2

BRACING-

TOP CHORD Structural wood sheathing directly applied or 6-0-0 oc purlins, except end verticals.
 BOT CHORD Rigid ceiling directly applied or 5-4-11 oc bracing.
 WEBS 1 Row at midpt 3-7

MiTek recommends that Stabilizers and required cross bracing be installed during truss erection, in accordance with Stabilizer Installation guide.

REACTIONS. (lb/size) 6=306/0-3-8 (min. 0-1-8), 7=284/0-3-0 (min. 0-1-8)
 Max Horz 6=187(LC 14)
 Max Uplift 7=-115(LC 14)
 Max Grav 6=345(LC 2), 7=338(LC 25)

FORCES. (lb) - Max. Comp./Max. Ten. - All forces 250 (lb) or less except when shown.

BOT CHORD 5-6=-270/312
 WEBS 1-5=-284/265, 3-7=-370/171

NOTES-

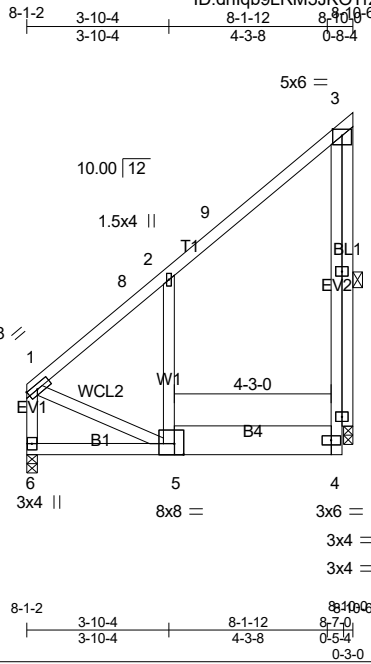
- Wind: ASCE 7-10; Vult=115mph (3-second gust) Vasd=91mph; TCDL=6.0psf; BCDL=3.0psf; h=25ft; B=45ft; L=24ft; eave=4ft; Cat. II; Exp B; Enclosed; MWFRS (directional) and C-C Exterior(2) 0-1-12 to 3-1-12, Interior(1) 3-1-12 to 8-5-12 zone; cantilever left and right exposed; end vertical left and right exposed; C-C for members and forces & MWFRS for reactions shown; Lumber DOL=1.60 plate grip DOL=1.60
- TCLL: ASCE 7-10; Pr=20.0 psf (roof live load: Lumber DOL=1.15 Plate DOL=1.15); Pg=20.0 psf (ground snow); Pf=15.4 psf (flat roof snow: Lumber DOL=1.15 Plate DOL=1.15); Category II; Exp B; Partially Exp.; Ct=1.10
- All plates are MT20 plates unless otherwise indicated.
- This truss has been designed for a 10.0 psf bottom chord live load nonconcurrent with any other live loads.
- * This truss has been designed for a live load of 20.0psf on the bottom chord in all areas where a rectangle 3-6-0 tall by 2-0-0 wide will fit between the bottom chord and any other members.
- Bearing at joint(s) 7 considers parallel to grain value using ANSI/TPI 1 angle to grain formula. Building designer should verify capacity of bearing surface.
- One H2.5A Simpson Strong-Tie connectors recommended to connect truss to bearing walls due to UPLIFT at jt(s) 7. This connection is for uplift only and does not consider lateral forces.
- This truss is designed in accordance with the 2015 International Residential Code sections R502.11.1 and R802.10.2 and referenced standard ANSI/TPI 1.
- ATTIC SPACE SHOWN IS DESIGNED AS UNINHABITABLE.

LOAD CASE(S) Standard

Job 2310931	Truss B5	Truss Type Monopitch	Qty 2	Ply 1	Lamco Custom - Kristie Bonus Rm. Job Reference (optional)
----------------	-------------	-------------------------	----------	----------	--

Probuild East, Albemarle, NC 28001

8.240 s Mar 9 2020 MiTek Industries, Inc. Mon Apr 20 14:07:46 2020 Page 1



Scale = 1:62.4

Plate Offsets (X,Y)-- [5:0-3-0,Edge]

LOADING (psf)	SPACING-	CSI.	DEFL.	PLATES	GRIP
TCLL (roof) 20.0	2-0-0	TC 0.40	in (loc) l/defl L/d	MT20	244/190
Snow (Pf/Pg) 15.4/20.0	Plate Grip DOL 1.15	BC 0.88	Vert(LL) -0.13 5-6 >784 360		
TCDL 10.0	Lumber DOL 1.15	WB 0.30	Vert(CT) -0.27 5-6 >386 240		
BCLL 0.0 *	Rep Stress Incr YES	Matrix-SH	Horz(CT) -0.02 7 n/a n/a		
BCDL 10.0	Code IRC2015/TPI2014		Wind(LL) 0.18 5-6 >578 240	Weight: 80 lb	FT = 20%

LUMBER-

TOP CHORD 2x4 SP No.2
 BOT CHORD 2x4 SP No.1 *Except*
 B4: 2x10 SP No.2
 WEBS 2x4 SP No.2 *Except*
 EV1,WCL2: 2x4 SP No.3
 OTHERS 2x4 SP No.3

BRACING-

TOP CHORD Structural wood sheathing directly applied or 6-0-0 oc purlins, except end verticals.
 BOT CHORD Rigid ceiling directly applied or 7-1-0 oc bracing.
 WEBS 1 Row at midpt 3-7

MiTek recommends that Stabilizers and required cross bracing be installed during truss erection, in accordance with Stabilizer Installation guide.

REACTIONS. (lb/size) 6=303/0-3-8 (min. 0-1-8), 7=281/0-3-0 (min. 0-1-8)
 Max Horz 6=185(LC 14)
 Max Uplift 7=-114(LC 14)
 Max Grav 6=342(LC 2), 7=335(LC 25)

FORCES. (lb) - Max. Comp./Max. Ten. - All forces 250 (lb) or less except when shown.
 BOT CHORD 5-6=-268/309
 WEBS 1-5=-281/263, 3-7=-367/170

NOTES-

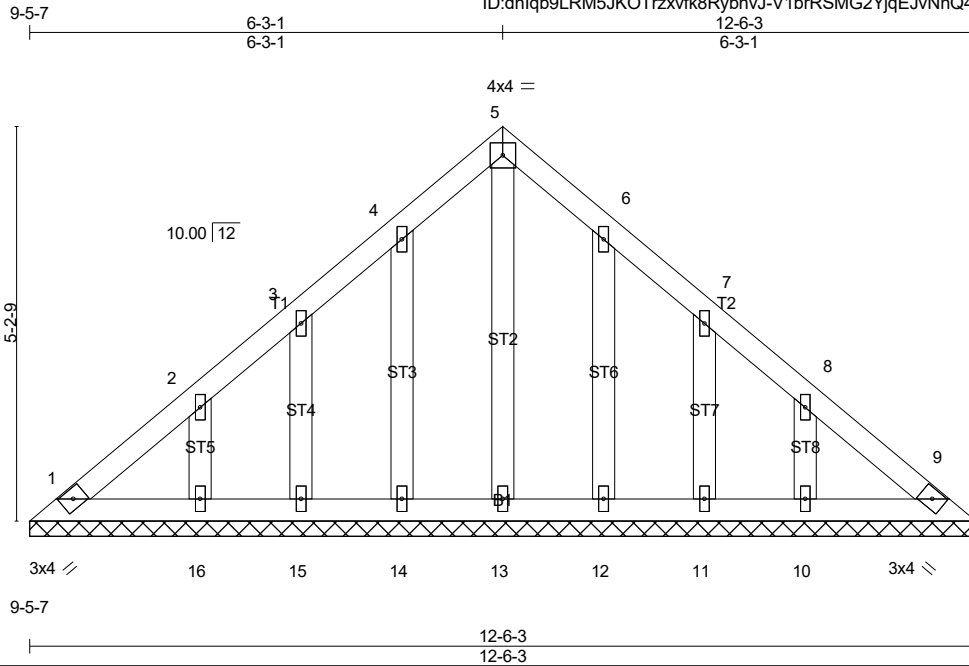
- 1) Wind: ASCE 7-10; Vult=115mph (3-second gust) Vasd=91mph; TCDL=6.0psf; BCDL=3.0psf; h=25ft; B=45ft; L=24ft; eave=4ft; Cat. II; Exp B; Enclosed; MWFRS (directional) and C-C Exterior(2) 0-1-12 to 3-1-12, Interior(1) 3-1-12 to 8-4-12 zone; cantilever left and right exposed; end vertical left and right exposed; C-C for members and forces & MWFRS for reactions shown; Lumber DOL=1.60 plate grip DOL=1.60
- 2) TCLL: ASCE 7-10; Pr=20.0 psf (roof live load: Lumber DOL=1.15 Plate DOL=1.15); Pg=20.0 psf (ground snow); Pf=15.4 psf (flat roof snow: Lumber DOL=1.15 Plate DOL=1.15); Category II; Exp B; Partially Exp.; Ct=1.10
- 3) This truss has been designed for a 10.0 psf bottom chord live load nonconcurrent with any other live loads.
- 4) * This truss has been designed for a live load of 20.0psf on the bottom chord in all areas where a rectangle 3-6-0 tall by 2-0-0 wide will fit between the bottom chord and any other members.
- 5) Bearing at joint(s) 7 considers parallel to grain value using ANSI/TPI 1 angle to grain formula. Building designer should verify capacity of bearing surface.
- 6) One H2.5A Simpson Strong-Tie connectors recommended to connect truss to bearing walls due to UPLIFT at jt(s) 7. This connection is for uplift only and does not consider lateral forces.
- 7) This truss is designed in accordance with the 2015 International Residential Code sections R502.11.1 and R802.10.2 and referenced standard ANSI/TPI 1.
- 8) ATTIC SPACE SHOWN IS DESIGNED AS UNINHABITABLE.

LOAD CASE(S) Standard

Job 2310931	Truss VA1	Truss Type GABLE	Qty 1	Ply 1	Lamco Custom - Kristie Bonus Rm. Job Reference (optional)
----------------	--------------	---------------------	----------	----------	--

Probuild East, Albemarle, NC 28001

8.240 s Mar 9 2020 MiTek Industries, Inc. Mon Apr 20 14:07:49 2020 Page 1
ID:dnIqb9LRM5JKOTrzxvfk8RybnvJ-V1brRSMG2YjqEjvNnQ4Btb1?UGG0WDGifZ8BHWzOnne



Scale = 1:30.5

LOADING (psf)	SPACING-	CSI.	DEFL.	PLATES	GRIP
TCLL (roof) 20.0	2-0-0	TC 0.03	in (loc) l/defl L/d	MT20	244/190
Snow (Pf/Pg) 15.4/20.0	Plate Grip DOL 1.15	BC 0.03	Vert(LL) n/a - n/a 999		
TCDL 10.0	Lumber DOL 1.15	WB 0.03	Vert(CT) n/a - n/a 999		
BCLL 0.0 *	Rep Stress Incr YES	Matrix-SH	Horz(CT) 0.00 9 n/a n/a		
BCDL 10.0	Code IRC2015/TPI2014			Weight: 70 lb	FT = 20%

LUMBER-
TOP CHORD 2x4 SP No.2
BOT CHORD 2x4 SP No.2
OTHERS 2x4 SP No.3

BRACING-
TOP CHORD
BOT CHORD

Structural wood sheathing directly applied or 6-0-0 oc purlins.
Rigid ceiling directly applied or 10-0-0 oc bracing.

MiTek recommends that Stabilizers and required cross bracing be installed during truss erection, in accordance with Stabilizer Installation guide.

REACTIONS. All bearings 12-6-3.
(lb) - Max Horz 1=81(LC 13)
Max Uplift All uplift 100 lb or less at joint(s) 14, 15, 16, 12, 11, 10
Max Grav All reactions 250 lb or less at joint(s) 1, 9, 13, 14, 15, 16, 12, 11, 10

FORCES. (lb) - Max. Comp./Max. Ten. - All forces 250 (lb) or less except when shown.

NOTES-

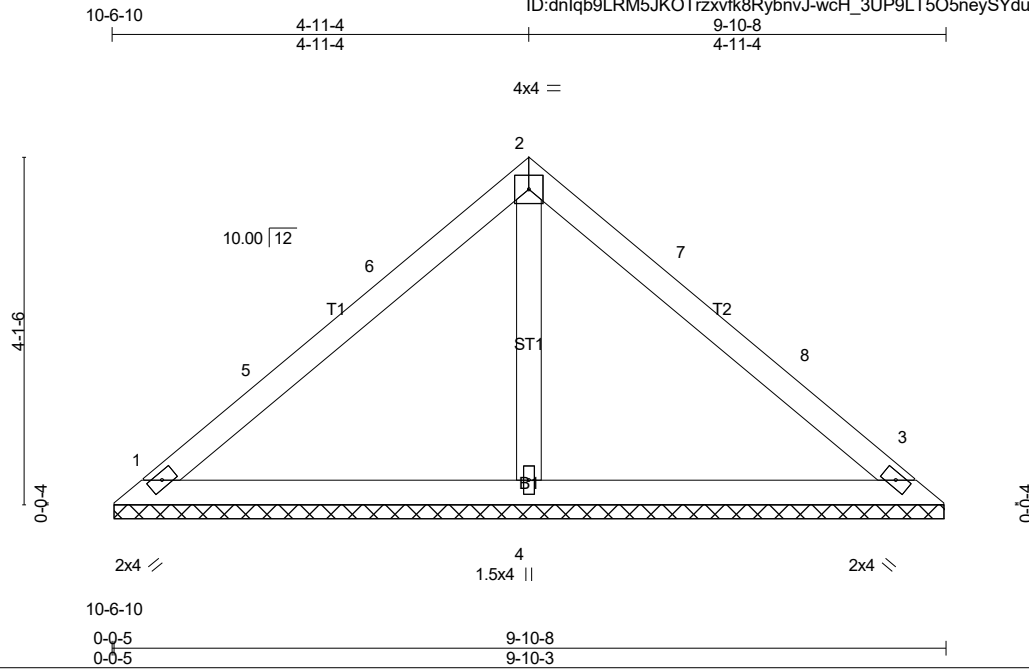
- Unbalanced roof live loads have been considered for this design.
- Wind: ASCE 7-10; Vult=115mph (3-second gust) Vasd=91mph; TCDL=6.0psf; BCDL=3.0psf; h=25ft; B=45ft; L=24ft; eave=2ft; Cat. II; Exp B; Enclosed; MWFRS (directional) and C-C Corner(3) 0-4-13 to 3-7-1, Exterior(2) 3-7-1 to 6-3-1, Corner(3) 6-3-1 to 9-3-1, Exterior(2) 9-3-1 to 12-1-5 zone; cantilever left and right exposed; end vertical left and right exposed; C-C for members and forces & MWFRS for reactions shown; Lumber DOL=1.60 plate grip DOL=1.60
- Truss designed for wind loads in the plane of the truss only. For studs exposed to wind (normal to the face), see Standard Industry Gable End Details as applicable, or consult qualified building designer as per ANSI/TPI 1.
- TCLL: ASCE 7-10; Pr=20.0 psf (roof live load: Lumber DOL=1.15 Plate DOL=1.15); Pg=20.0 psf (ground snow); Pf=15.4 psf (flat roof snow: Lumber DOL=1.15 Plate DOL=1.15); Category II; Exp B; Partially Exp.; Ct=1.10
- All plates are 1.5x4 MT20 unless otherwise indicated.
- Gable requires continuous bottom chord bearing.
- Gable studs spaced at 1-4-0 oc.
- This truss has been designed for a 10.0 psf bottom chord live load nonconcurrent with any other live loads.
- * This truss has been designed for a live load of 20.0psf on the bottom chord in all areas where a rectangle 3-6-0 tall by 2-0-0 wide will fit between the bottom chord and any other members.
- This truss is designed in accordance with the 2015 International Residential Code sections R502.11.1 and R802.10.2 and referenced standard ANSI/TPI 1.

LOAD CASE(S) Standard

Job 2310931	Truss VA2	Truss Type VALLEY	Qty 1	Ply 1	Lamco Custom - Kristie Bonus Rm.
----------------	--------------	----------------------	----------	----------	----------------------------------

Probuild East, Albemarle, NC 28001

8.240 s Mar 9 2020 MiTek Industries, Inc. Mon Apr 20 14:07:52 2020 Page 1
ID:dn1qb9LRM5JKOTrzxvfk8RybnvJ-wcH_3UP9LT5O5neySYduVEeQqTFujaY8MXNnrzrOnnb



LOADING (psf)	SPACING-	CSI.	DEFL.	PLATES	GRIP
TCLL (roof) 20.0	2-0-0	TC 0.41	in (loc) l/defl L/d	MT20	244/190
Snow (Pf/Pg) 15.4/20.0	Plate Grip DOL 1.15	BC 0.21	Vert(LL) n/a - n/a 999		
TCDL 10.0	Lumber DOL 1.15	WB 0.06	Vert(CT) n/a - n/a 999		
BCLL 0.0 *	Rep Stress Incr YES	Matrix-P	Horz(CT) 0.00 3 n/a n/a		
BCDL 10.0	Code IRC2015/TPI2014			Weight: 37 lb	FT = 20%

LUMBER-
TOP CHORD 2x4 SP No.2
BOT CHORD 2x4 SP No.2
OTHERS 2x4 SP No.3

BRACING-
TOP CHORD Structural wood sheathing directly applied or 6-0-0 oc purlins.
BOT CHORD Rigid ceiling directly applied or 10-0-0 oc bracing.

MiTek recommends that Stabilizers and required cross bracing be installed during truss erection, in accordance with Stabilizer Installation guide.

REACTIONS. (lb/size) 1=181/9-9-14 (min. 0-1-8), 3=181/9-9-14 (min. 0-1-8), 4=279/9-9-14 (min. 0-1-8)
Max Horz 1=63(LC 13)
Max Uplift 1=-28(LC 14), 3=-28(LC 14)
Max Grav 1=208(LC 2), 3=208(LC 2), 4=309(LC 2)

FORCES. (lb) - Max. Comp./Max. Ten. - All forces 250 (lb) or less except when shown.

NOTES-

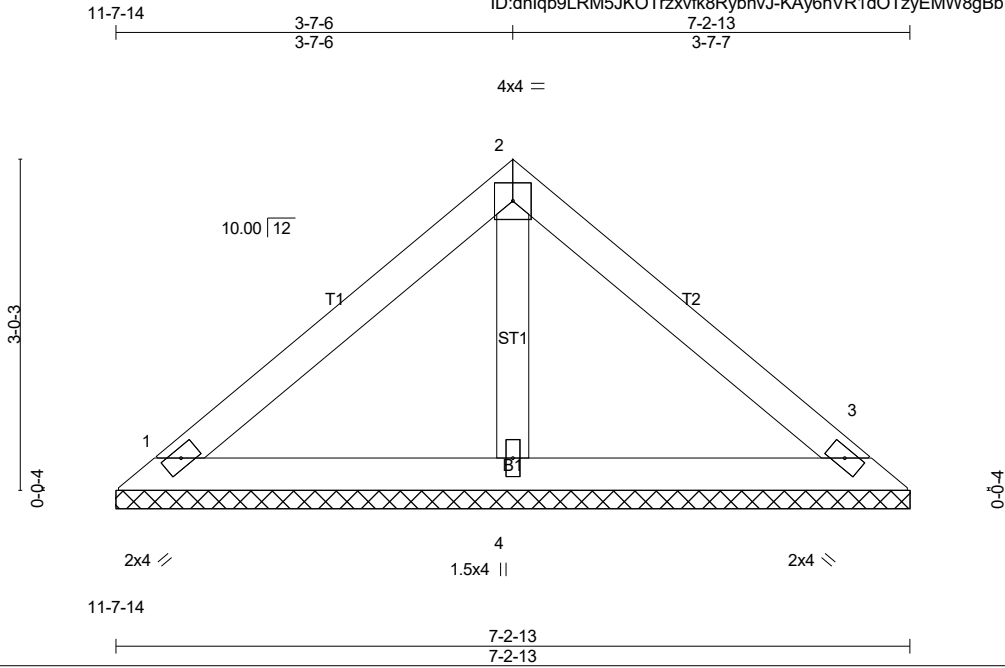
- Unbalanced roof live loads have been considered for this design.
- Wind: ASCE 7-10; Vult=115mph (3-second gust) Vasd=91mph; TCDL=6.0psf; BCDL=3.0psf; h=25ft; B=45ft; L=24ft; eave=4ft; Cat. II; Exp B; Enclosed; MWFRS (directional) and C-C Exterior(2) 0-4-13 to 3-4-13, Interior(1) 3-4-13 to 4-11-4, Exterior(2) 4-11-4 to 7-11-4, Interior(1) 7-11-4 to 9-5-11 zone; C-C for members and forces & MWFRS for reactions shown; Lumber DOL=1.60 plate grip DOL=1.60
- TCLL: ASCE 7-10; Pr=20.0 psf (roof live load: Lumber DOL=1.15 Plate DOL=1.15); Pg=20.0 psf (ground snow); Pf=15.4 psf (flat roof snow: Lumber DOL=1.15 Plate DOL=1.15); Category II; Exp B; Partially Exp.; Ct=1.10
- This truss has been designed for a 10.0 psf bottom chord live load nonconcurrent with any other live loads.
- * This truss has been designed for a live load of 20.0psf on the bottom chord in all areas where a rectangle 3-6-0 tall by 2-0-0 wide will fit between the bottom chord and any other members.
- This truss is designed in accordance with the 2015 International Residential Code sections R502.11.1 and R802.10.2 and referenced standard ANSI/TPI 1.

LOAD CASE(S) Standard

Job 2310931	Truss VA3	Truss Type GABLE	Qty 1	Ply 1	Lamco Custom - Kristie Bonus Rm. Job Reference (optional)
----------------	--------------	---------------------	----------	----------	--

Probuild East, Albemarle, NC 28001

8.240 s Mar 9 2020 MiTek Industries, Inc. Mon Apr 20 14:07:55 2020 Page 1
ID: dnlqb9LRM5JKOTrzxvfk8RybnvJ-KAy6hVR1dOTzyEMW8gBb7sG_ShICwwla2VbWVvAzOnnY



Scale = 1:21.0

LOADING (psf)	SPACING-	CSI.	DEFL.	PLATES	GRIP
TCLL (roof) 20.0	2-0-0	TC 0.20	in (loc) l/defl L/d	MT20	244/190
Snow (Pf/Pg) 15.4/20.0	Plate Grip DOL 1.15	BC 0.11	Vert(LL) n/a - n/a 999		
TCDL 10.0	Lumber DOL 1.15	WB 0.03	Vert(CT) n/a - n/a 999		
BCLL 0.0 *	Rep Stress Incr YES	Matrix-P	Horz(CT) 0.00 3 n/a n/a		
BCDL 10.0	Code IRC2015/TPI2014			Weight: 27 lb	FT = 20%

LUMBER-
TOP CHORD 2x4 SP No.2
BOT CHORD 2x4 SP No.2
OTHERS 2x4 SP No.3

BRACING-
TOP CHORD Structural wood sheathing directly applied or 6-0-0 oc purlins.
BOT CHORD Rigid ceiling directly applied or 10-0-0 oc bracing.

MiTek recommends that Stabilizers and required cross bracing be installed during truss erection, in accordance with Stabilizer Installation guide.

REACTIONS. (lb/size) 1=129/7-2-13 (min. 0-1-8), 3=129/7-2-13 (min. 0-1-8), 4=198/7-2-13 (min. 0-1-8)
Max Horz 1=44(LC 13)
Max Uplift 1=-20(LC 14), 3=-20(LC 14)
Max Grav 1=148(LC 2), 3=148(LC 2), 4=219(LC 2)

FORCES. (lb) - Max. Comp./Max. Ten. - All forces 250 (lb) or less except when shown.

NOTES-

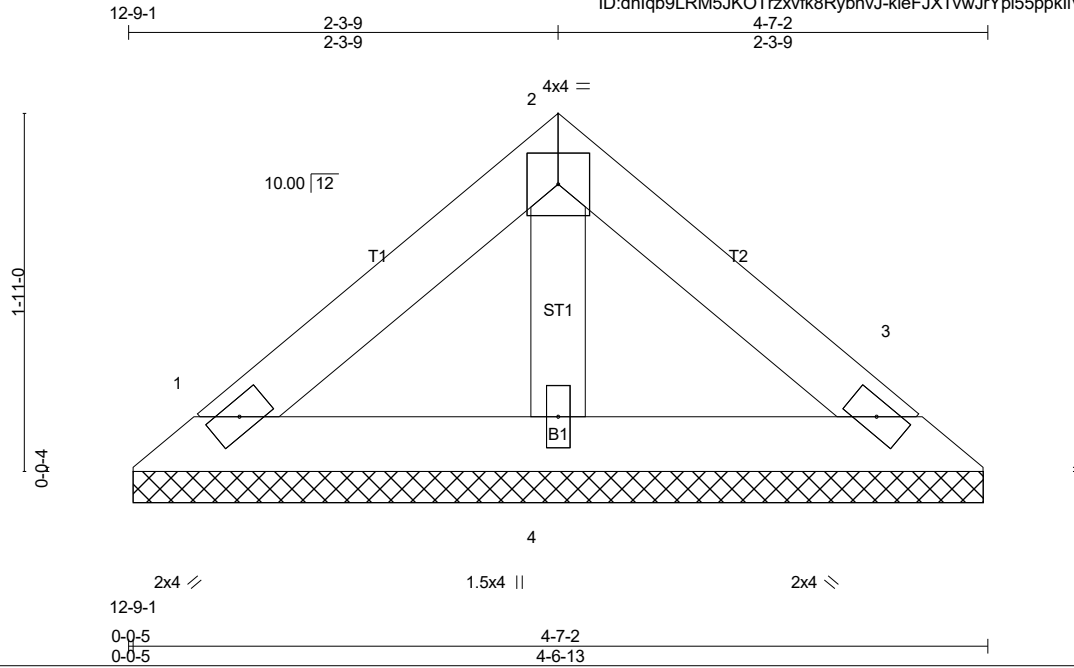
- Unbalanced roof live loads have been considered for this design.
- Wind: ASCE 7-10; Vult=115mph (3-second gust) Vasd=91mph; TCDL=6.0psf; BCDL=3.0psf; h=25ft; B=45ft; L=24ft; eave=4ft; Cat. II; Exp B; Enclosed; MWFRS (directional) and C-C Exterior(2) zone; C-C for members and forces & MWFRS for reactions shown; Lumber DOL=1.60 plate grip DOL=1.60
- TCLL: ASCE 7-10; Pr=20.0 psf (roof live load: Lumber DOL=1.15 Plate DOL=1.15); Pg=20.0 psf (ground snow); Pf=15.4 psf (flat roof snow: Lumber DOL=1.15 Plate DOL=1.15); Category II; Exp B; Partially Exp.; Ct=1.10
- Gable requires continuous bottom chord bearing.
- This truss has been designed for a 10.0 psf bottom chord live load nonconcurrent with any other live loads.
- * This truss has been designed for a live load of 20.0psf on the bottom chord in all areas where a rectangle 3-6-0 tall by 2-0-0 wide will fit between the bottom chord and any other members.
- This truss is designed in accordance with the 2015 International Residential Code sections R502.11.1 and R802.10.2 and referenced standard ANSI/TPI 1.

LOAD CASE(S) Standard

Job 2310931	Truss VA4	Truss Type VALLEY	Qty 1	Ply 1	Lamco Custom - Kristie Bonus Rm.
----------------	--------------	----------------------	----------	----------	----------------------------------

Probuild East, Albemarle, NC 28001

8.240 s Mar 9 2020 MiTek Industries, Inc. Mon Apr 20 14:07:58 2020 Page 1
 ID:dnlqb9LRM5JKOTrzxvfk8RybnvJ-kleFJXTvwJrYpi55ppkllVvYouLz7Hl1kTqA5VzOnnV



Scale = 1:12.3

LOADING (psf)	SPACING-	CSI.	DEFL.	PLATES	GRIP
TCLL (roof) 20.0	2-0-0	TC 0.06	in (loc) l/defl L/d	MT20	244/190
Snow (Pf/Pg) 15.4/20.0	Plate Grip DOL 1.15	BC 0.04	Vert(LL) n/a - n/a 999		
TCDL 10.0	Lumber DOL 1.15	WB 0.02	Vert(CT) n/a - n/a 999		
BCLL 0.0 *	Rep Stress Incr YES	Matrix-P	Horz(CT) 0.00 3 n/a n/a		
BCDL 10.0	Code IRC2015/TPI2014			Weight: 16 lb	FT = 20%

LUMBER-
 TOP CHORD 2x4 SP No.2
 BOT CHORD 2x4 SP No.2
 OTHERS 2x4 SP No.3

BRACING-
 TOP CHORD
 BOT CHORD

Structural wood sheathing directly applied or 4-7-2 oc purlins.
 Rigid ceiling directly applied or 10-0-0 oc bracing.

MiTek recommends that Stabilizers and required cross bracing be installed during truss erection, in accordance with Stabilizer Installation guide.

REACTIONS. (lb/size) 1=76/4-6-8 (min. 0-1-8), 3=76/4-6-8 (min. 0-1-8), 4=117/4-6-8 (min. 0-1-8)
 Max Horz 1=-26(LC 12)
 Max Uplift 1=-12(LC 14), 3=-12(LC 14)
 Max Grav 1=87(LC 2), 3=87(LC 2), 4=129(LC 2)

FORCES. (lb) - Max. Comp./Max. Ten. - All forces 250 (lb) or less except when shown.

NOTES-

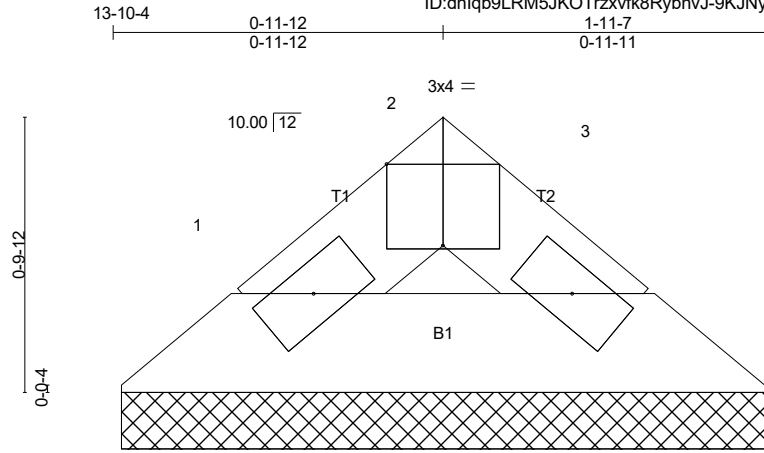
- Unbalanced roof live loads have been considered for this design.
- Wind: ASCE 7-10; Vult=115mph (3-second gust) Vasd=91mph; TCDL=6.0psf; BCDL=3.0psf; h=25ft; B=45ft; L=24ft; eave=4ft; Cat. II; Exp B; Enclosed; MWFRS (directional) and C-C Exterior(2) zone; C-C for members and forces & MWFRS for reactions shown; Lumber DOL=1.60 plate grip DOL=1.60
- TCLL: ASCE 7-10; Pr=20.0 psf (roof live load: Lumber DOL=1.15 Plate DOL=1.15); Pg=20.0 psf (ground snow); Pf=15.4 psf (flat roof snow: Lumber DOL=1.15 Plate DOL=1.15); Category II; Exp B; Partially Exp.; Ct=1.10
- Gable requires continuous bottom chord bearing.
- This truss has been designed for a 10.0 psf bottom chord live load nonconcurrent with any other live loads.
- * This truss has been designed for a live load of 20.0psf on the bottom chord in all areas where a rectangle 3-6-0 tall by 2-0-0 wide will fit between the bottom chord and any other members.
- This truss is designed in accordance with the 2015 International Residential Code sections R502.11.1 and R802.10.2 and referenced standard ANSI/TPI 1.

LOAD CASE(S) Standard

Job 2310931	Truss VA5	Truss Type VALLEY	Qty 1	Ply 1	Lamco Custom - Kristie Bonus Rm. Job Reference (optional)
----------------	--------------	----------------------	----------	----------	--

Probuild East, Albemarle, NC 28001

8.240 s Mar 9 2020 MiTek Industries, Inc. Mon Apr 20 14:08:01 2020 Page 1
ID:dnlqb9LRM5JKOTrzxvfk8RybnvJ-9KJNyZW0DDD7g9ggUx1?M7W3v5M1KekTQQ2qiczOnnS



Scale = 1:6.8

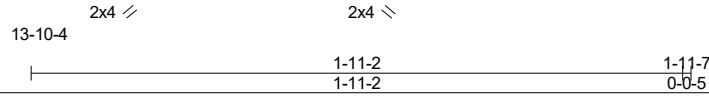


Plate Offsets (X,Y)-- [2:0-2-0,Edge]

LOADING (psf)	SPACING-	CSI.	DEFL.	PLATES	GRIP
TCLL (roof) 20.0	2-0-0	TC 0.01	in (loc) l/defl L/d	MT20	244/190
Snow (Pf/Pg) 15.4/20.0	Plate Grip DOL 1.15	BC 0.01	Vert(LL) n/a - n/a 999		
TCDL 10.0	Lumber DOL 1.15	WB 0.00	Vert(CT) n/a - n/a 999		
BCLL 0.0 *	Rep Stress Incr YES	Matrix-P	Horz(CT) 0.00 3 n/a n/a		
BCDL 10.0	Code IRC2015/TPI2014			Weight: 5 lb	FT = 20%

LUMBER-

TOP CHORD 2x4 SP No.2
BOT CHORD 2x4 SP No.2

BRACING-

TOP CHORD Structural wood sheathing directly applied or 1-11-7 oc purlins.
BOT CHORD Rigid ceiling directly applied or 10-0-0 oc bracing.

MiTek recommends that Stabilizers and required cross bracing be installed during truss erection, in accordance with Stabilizer Installation guide.

REACTIONS. (lb/size) 1=41/1-10-13 (min. 0-1-8), 3=41/1-10-13 (min. 0-1-8)
Max Horz 1=-8(LC 12)
Max Uplift 1=-3(LC 14), 3=-3(LC 14)
Max Grav 1=46(LC 2), 3=46(LC 2)

FORCES. (lb) - Max. Comp./Max. Ten. - All forces 250 (lb) or less except when shown.

NOTES-

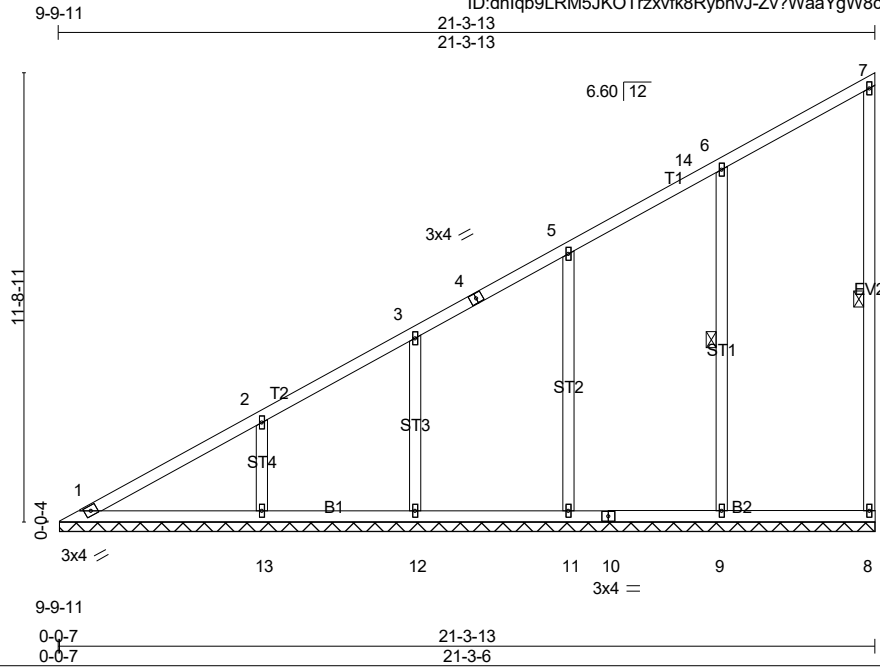
- Unbalanced roof live loads have been considered for this design.
- Wind: ASCE 7-10; Vult=115mph (3-second gust) Vasd=91mph; TC DL=6.0psf; BCDL=3.0psf; h=25ft; B=45ft; L=24ft; eave=4ft; Cat. II; Exp B; Enclosed; MWFRS (directional) and C-C Exterior(2) zone;C-C for members and forces & MWFRS for reactions shown; Lumber DOL=1.60 plate grip DOL=1.60
- TCLL: ASCE 7-10; Pr=20.0 psf (roof live load: Lumber DOL=1.15 Plate DOL=1.15); Pg=20.0 psf (ground snow); Pf=15.4 psf (flat roof snow: Lumber DOL=1.15 Plate DOL=1.15); Category II; Exp B; Partially Exp.; Ct=1.10
- Gable requires continuous bottom chord bearing.
- This truss has been designed for a 10.0 psf bottom chord live load nonconcurrent with any other live loads.
- * This truss has been designed for a live load of 20.0psf on the bottom chord in all areas where a rectangle 3-6-0 tall by 2-0-0 wide will fit between the bottom chord and any other members.
- This truss is designed in accordance with the 2015 International Residential Code sections R502.11.1 and R802.10.2 and referenced standard ANSI/TPI 1.

LOAD CASE(S) Standard

Job 2310931	Truss VB1	Truss Type VALLEY	Qty 1	Ply 1	Lamco Custom - Kristie Bonus Rm. Job Reference (optional)
----------------	--------------	----------------------	----------	----------	--

Probuild East, Albemarle, NC 28001

8.240 s Mar 9 2020 MiTek Industries, Inc. Mon Apr 20 14:08:04 2020 Page 1
ID: dnlqb9LRM5JKOTrzxvfk8RybnvJ-Zv?WaaYgW8chXdYF93ri_m8V4JM5Yxv6OHUJ9zOnnP



LOADING (psf)	SPACING-	CSI.	DEFL.	PLATES	GRIP
TCLL (roof) 20.0	2-0-0	TC 0.27	in (loc) l/defl L/d	MT20	244/190
Snow (Pf/Pg) 15.4/20.0	Plate Grip DOL 1.15	BC 0.18	Vert(LL) n/a - n/a 999		
TCDL 10.0	Lumber DOL 1.15	WB 0.23	Vert(CT) n/a - n/a 999		
BCLL 0.0 *	Rep Stress Incr YES	Matrix-SH	Horz(CT) 0.00 8 n/a n/a		
BCDL 10.0	Code IRC2015/TPI2014			Weight: 117 lb	FT = 20%

LUMBER-
 TOP CHORD 2x4 SP No.2
 BOT CHORD 2x4 SP No.2
 WEBS 2x4 SP No.3
 OTHERS 2x4 SP No.3

BRACING-
 TOP CHORD Structural wood sheathing directly applied or 6-0-0 oc purlins, except end verticals.
 BOT CHORD Rigid ceiling directly applied or 10-0-0 oc bracing.
 WEBS 1 Row at midpt 7-8, 6-9

MiTek recommends that Stabilizers and required cross bracing be installed during truss erection, in accordance with Stabilizer Installation guide.

REACTIONS. All bearings 21-3-5.
 (lb) - Max Horz 1=256(LC 16)
 Max Uplift All uplift 100 lb or less at joint(s) 8, 9, 11, 12, 13
 Max Grav All reactions 250 lb or less at joint(s) 8, 1 except 9=471(LC 5), 11=434(LC 27), 12=344(LC 27), 13=408(LC 2)

FORCES. (lb) - Max. Comp./Max. Ten. - All forces 250 (lb) or less except when shown.
 TOP CHORD 1-2=-341/299, 2-3=-258/219
 WEBS 6-9=-313/109, 2-13=-289/116

- NOTES-**
- 1) Wind: ASCE 7-10; Vult=115mph (3-second gust) Vasd=91mph; TCDL=6.0psf; BCDL=3.0psf; h=25ft; B=45ft; L=24ft; eave=4ft; Cat. II; Exp B; Enclosed; MWFRS (directional) and C-C Corner(3) 0-6-14 to 4-9-13, Exterior(2) 4-9-13 to 21-2-1 zone; C-C for members and forces & MWFRS for reactions shown; Lumber DOL=1.60 plate grip DOL=1.60
 - 2) TCLL: ASCE 7-10; Pr=20.0 psf (roof live load: Lumber DOL=1.15 Plate DOL=1.15); Pg=20.0 psf (ground snow); Pf=15.4 psf (flat roof snow: Lumber DOL=1.15 Plate DOL=1.15); Category II; Exp B; Partially Exp.; Ct=1.10
 - 3) Unbalanced snow loads have been considered for this design.
 - 4) All plates are 1.5x4 MT20 unless otherwise indicated.
 - 5) This truss has been designed for a 10.0 psf bottom chord live load nonconcurrent with any other live loads.
 - 6) * This truss has been designed for a live load of 20.0psf on the bottom chord in all areas where a rectangle 3-6-0 tall by 2-0-0 wide will fit between the bottom chord and any other members, with BCDL = 10.0psf.
 - 7) This truss is designed in accordance with the 2015 International Residential Code sections R502.11.1 and R802.10.2 and referenced standard ANSI/TPI 1.

LOAD CASE(S) Standard

Job 2310931	Truss VB1E	Truss Type GABLE	Qty 1	Ply 1	Lamco Custom - Kristie Bonus Rm. Job Reference (optional)
----------------	---------------	---------------------	----------	----------	--

Probuild East, Albemarle , NC 28001

8.240 s Mar 9 2020 MiTek Industries, Inc. Mon Apr 20 14:08:07 2020 Page 1
ID: dnlqb9LRM5JKOTrzxvfk8RybnvJ-zUhfCcaZp3_GO4HqrCOPcOm3JWPBkLmMoMV8wUzOnnm

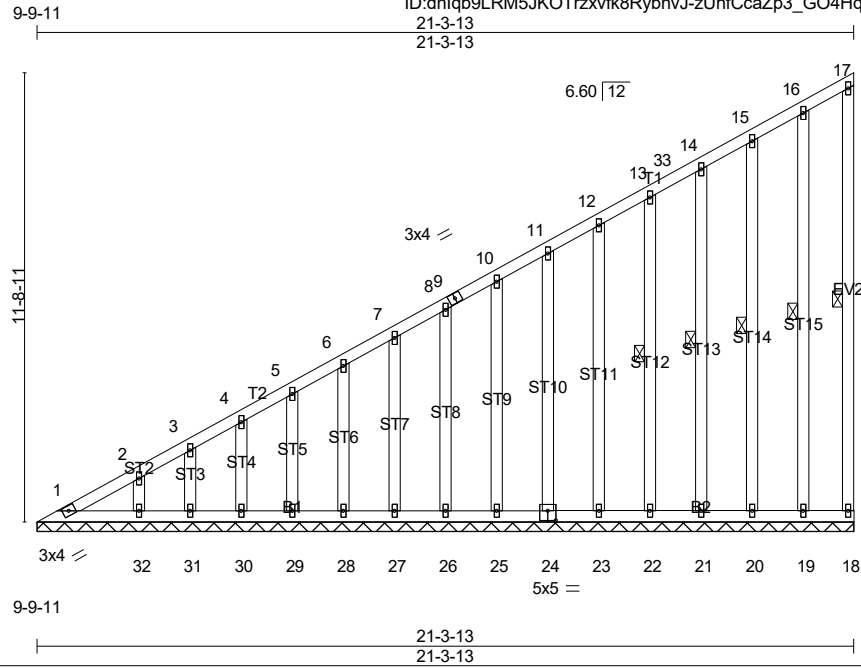


Plate Offsets (X,Y)-- [24-0-2-8,0-3-0]

LOADING (psf)	SPACING-	CSI.	DEFL.	PLATES	GRIP
TCLL (roof) 20.0	2-0-0	TC 0.07	in (loc) l/defl L/d	MT20	244/190
Snow (Pf/Pg) 15.4/20.0	Plate Grip DOL 1.15	BC 0.03	Vert(LL) n/a - n/a 999		
TCDL 10.0	Lumber DOL 1.15	WB 0.09	Vert(CT) n/a - n/a 999		
BCLL 0.0 *	Rep Stress Incr YES	Matrix-SH	Horz(CT) 0.00 18 n/a n/a		
BCDL 10.0	Code IRC2015/TPI2014			Weight: 202 lb	FT = 20%

LUMBER-
TOP CHORD 2x4 SP No.2
BOT CHORD 2x4 SP No.2
WEBS 2x4 SP No.3
OTHERS 2x4 SP No.3

BRACING-
TOP CHORD Structural wood sheathing directly applied or 6-0-0 oc purlins, except end verticals.
BOT CHORD Rigid ceiling directly applied or 10-0-0 oc bracing.
WEBS 1 Row at midpt 17-18, 13-22, 14-21, 15-20, 16-19

MiTek recommends that Stabilizers and required cross bracing be installed during truss erection, in accordance with Stabilizer Installation guide.

REACTIONS. All bearings 21-3-13.
(lb) - Max Horz 1=256(LC 16)
Max Uplift All uplift 100 lb or less at joint(s) 18, 1, 32, 31, 30, 29, 28, 27, 26, 25, 24, 23, 22, 21, 20, 19
Max Grav All reactions 250 lb or less at joint(s) 18, 1, 32, 31, 30, 29, 28, 27, 26, 25, 24, 23, 22, 21, 20, 19

FORCES. (lb) - Max. Comp./Max. Ten. - All forces 250 (lb) or less except when shown.
TOP CHORD 1-2=-356/303, 2-3=-322/267, 3-4=-300/253, 4-5=-276/232, 5-6=-252/212

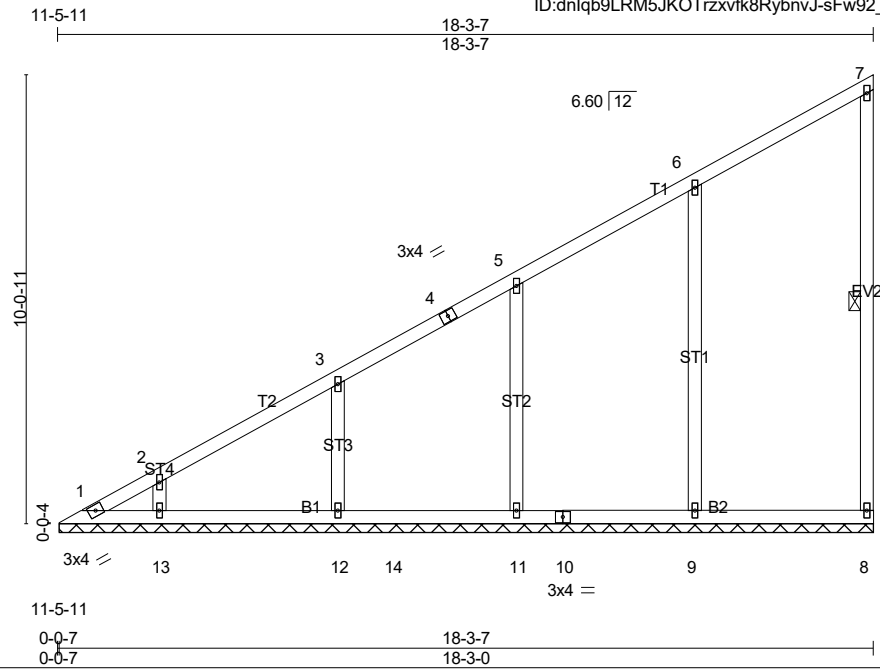
- NOTES-**
- 1) Wind: ASCE 7-10; Vult=115mph (3-second gust) Vasd=91mph; TCDL=6.0psf; BCDL=3.0psf; h=25ft; B=45ft; L=24ft; eave=2ft; Cat. II; Exp B; Enclosed; MWFRS (directional) and C-C Corner(3) 0-6-13 to 3-6-13, Exterior(2) 3-6-13 to 21-2-1 zone; C-C for members and forces & MWFRS for reactions shown; Lumber DOL=1.60 plate grip DOL=1.60
 - 2) Truss designed for wind loads in the plane of the truss only. For studs exposed to wind (normal to the face), see Standard Industry Gable End Details as applicable, or consult qualified building designer as per ANSI/TPI 1.
 - 3) TCLL: ASCE 7-10; Pr=20.0 psf (roof live load: Lumber DOL=1.15 Plate DOL=1.15); Pg=20.0 psf (ground snow); Pf=15.4 psf (flat roof snow: Lumber DOL=1.15 Plate DOL=1.15); Category II; Exp B; Partially Exp.; Ct=1.10
 - 4) Unbalanced snow loads have been considered for this design.
 - 5) All plates are 1.5x4 MT20 unless otherwise indicated.
 - 6) Gable requires continuous bottom chord bearing.
 - 7) Gable studs spaced at 1-4-0 oc.
 - 8) This truss has been designed for a 10.0 psf bottom chord live load nonconcurrent with any other live loads.
 - 9) * This truss has been designed for a live load of 20.0psf on the bottom chord in all areas where a rectangle 3-6-0 tall by 2-0-0 wide will fit between the bottom chord and any other members.
 - 10) This truss is designed in accordance with the 2015 International Residential Code sections R502.11.1 and R802.10.2 and referenced standard ANSI/TPI 1.

LOAD CASE(S) Standard

Job 2310931	Truss VB2	Truss Type VALLEY	Qty 2	Ply 1	Lamco Custom - Kristie Bonus Rm. Job Reference (optional)
----------------	--------------	----------------------	----------	----------	--

Probuild East, Albemarle, NC 28001

8,240 s Mar 9 2020 MiTek Industries, Inc. Mon Apr 20 14:08:11 2020 Page 1
ID: dnlqb9LRM5JKOTrzxvfk8RybnvJ-sFw92_d3slUitibb41TLmExj7lig6Jxj_TM3FzOnnl



Scale = 1:51.6

LOADING (psf)	SPACING-	CSI.	DEFL.	PLATES	GRIP
TCLL (roof) 20.0	2-0-0	TC 0.23	in (loc) l/defl L/d	MT20	244/190
Snow (Pf/Pg) 15.4/20.0	Plate Grip DOL 1.15	BC 0.19	Vert(LL) n/a - n/a 999		
TCDL 10.0	Lumber DOL 1.15	WB 0.31	Vert(CT) n/a - n/a 999		
BCLL 0.0 *	Rep Stress Incr YES	Matrix-SH	Horz(CT) 0.00 8 n/a n/a		
BCDL 10.0	Code IRC2015/TPI2014			Weight: 95 lb	FT = 20%

LUMBER-
TOP CHORD 2x4 SP No.2
BOT CHORD 2x4 SP No.2
WEBS 2x4 SP No.3
OTHERS 2x4 SP No.3

BRACING-
TOP CHORD Structural wood sheathing directly applied or 6-0-0 oc purlins, except end verticals.
BOT CHORD Rigid ceiling directly applied or 10-0-0 oc bracing.
WEBS 1 Row at midpt 7-8

MiTek recommends that Stabilizers and required cross bracing be installed during truss erection, in accordance with Stabilizer Installation guide.

REACTIONS. All bearings 18-3-0.
(lb) - Max Horz 1=218(LC 16)
Max Uplift All uplift 100 lb or less at joint(s) 8, 1, 9, 11, 12, 13
Max Grav All reactions 250 lb or less at joint(s) 8, 1 except 9=463(LC 27), 11=419(LC 27), 12=346(LC 27), 13=267(LC 2)

FORCES. (lb) - Max. Comp./Max. Ten. - All forces 250 (lb) or less except when shown.
TOP CHORD 1-2=-311/270, 2-3=-260/226
WEBS 6-9=-286/109

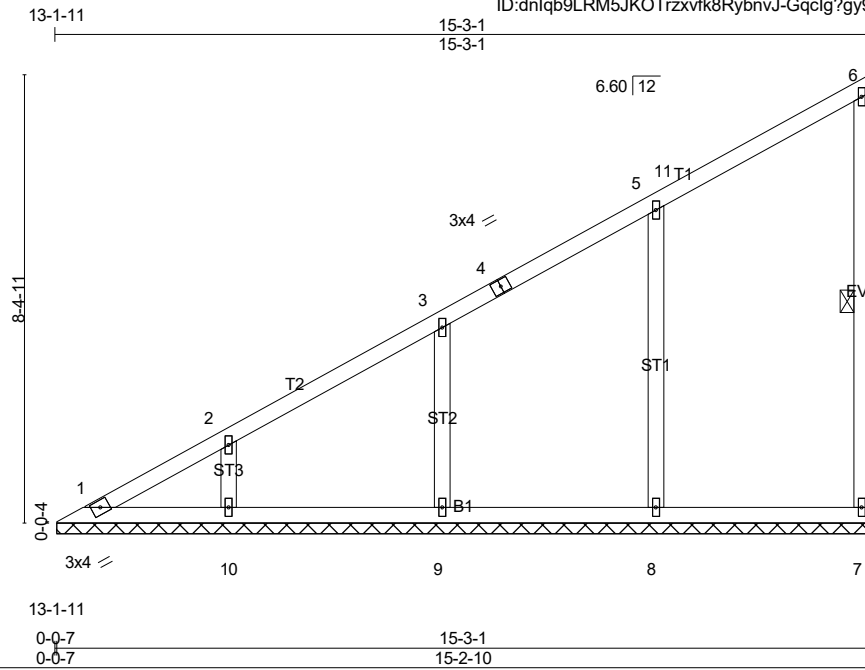
- NOTES-**
- 1) Wind: ASCE 7-10; Vult=115mph (3-second gust) Vasd=91mph; TCDL=6.0psf; BCDL=3.0psf; h=25ft; B=45ft; L=24ft; eave=4ft; Cat. II; Exp B; Enclosed; MWFRS (directional) and C-C Corner(3) 0-6-14 to 4-9-13, Exterior(2) 4-9-13 to 18-1-11 zone; C-C for members and forces & MWFRS for reactions shown; Lumber DOL=1.60 plate grip DOL=1.60
 - 2) TCLL: ASCE 7-10; Pr=20.0 psf (roof live load: Lumber DOL=1.15 Plate DOL=1.15); Pg=20.0 psf (ground snow); Pf=15.4 psf (flat roof snow: Lumber DOL=1.15 Plate DOL=1.15); Category II; Exp B; Partially Exp.; Ct=1.10
 - 3) Unbalanced snow loads have been considered for this design.
 - 4) All plates are 1.5x4 MT20 unless otherwise indicated.
 - 5) Gable requires continuous bottom chord bearing.
 - 6) This truss has been designed for a 10.0 psf bottom chord live load nonconcurrent with any other live loads.
 - 7) * This truss has been designed for a live load of 20.0psf on the bottom chord in all areas where a rectangle 3-6-0 tall by 2-0-0 wide will fit between the bottom chord and any other members, with BCDL = 10.0psf.
 - 8) This truss is designed in accordance with the 2015 International Residential Code sections R502.11.1 and R802.10.2 and referenced standard ANSI/TPI 1.

LOAD CASE(S) Standard

Job 2310931	Truss VB3	Truss Type VALLEY	Qty 2	Ply 1	Lamco Custom - Kristie Bonus Rm. Job Reference (optional)
----------------	--------------	----------------------	----------	----------	--

Probuild East, Albemarle, NC 28001

8.240 s Mar 9 2020 MiTek Industries, Inc. Mon Apr 20 14:08:14 2020 Page 1
ID:dnlqb9LRM5JKOTrzxvfk8RybnvJ-Gqclg?gy9DsHk9JAIA020iZEOlibtUANPyi0gazOnnF



Scale = 1:43.1

LOADING (psf)	SPACING-	CSI.	DEFL.	PLATES	GRIP
TCLL (roof) 20.0	2-0-0	TC 0.21	in (loc) l/defl L/d	MT20	244/190
Snow (Pf/Pg) 15.4/20.0	Plate Grip DOL 1.15	BC 0.20	Vert(LL) n/a - n/a 999		
TCDL 10.0	Lumber DOL 1.15	WB 0.18	Vert(CT) n/a - n/a 999		
BCLL 0.0 *	Rep Stress Incr YES	Matrix-SH	Horz(CT) 0.00 7 n/a n/a		
BCDL 10.0	Code IRC2015/TPI2014			Weight: 74 lb	FT = 20%

LUMBER-
TOP CHORD 2x4 SP No.2
BOT CHORD 2x4 SP No.2
WEBS 2x4 SP No.3
OTHERS 2x4 SP No.3

BRACING-
TOP CHORD Structural wood sheathing directly applied or 6-0-0 oc purlins, except end verticals.
BOT CHORD Rigid ceiling directly applied or 10-0-0 oc bracing.
WEBS 1 Row at midpt 6-7

MiTek recommends that Stabilizers and required cross bracing be installed during truss erection, in accordance with Stabilizer Installation guide.

REACTIONS. All bearings 15-2-10.
(lb) - Max Horz 1=181(LC 16)
Max Uplift All uplift 100 lb or less at joint(s) 7, 8, 9, 10
Max Grav All reactions 250 lb or less at joint(s) 7, 1 except 8=468(LC 27), 9=365(LC 27), 10=298(LC 2)

FORCES. (lb) - Max. Comp./Max. Ten. - All forces 250 (lb) or less except when shown.
TOP CHORD 1-2=-252/218
WEBS 5-8=-264/111

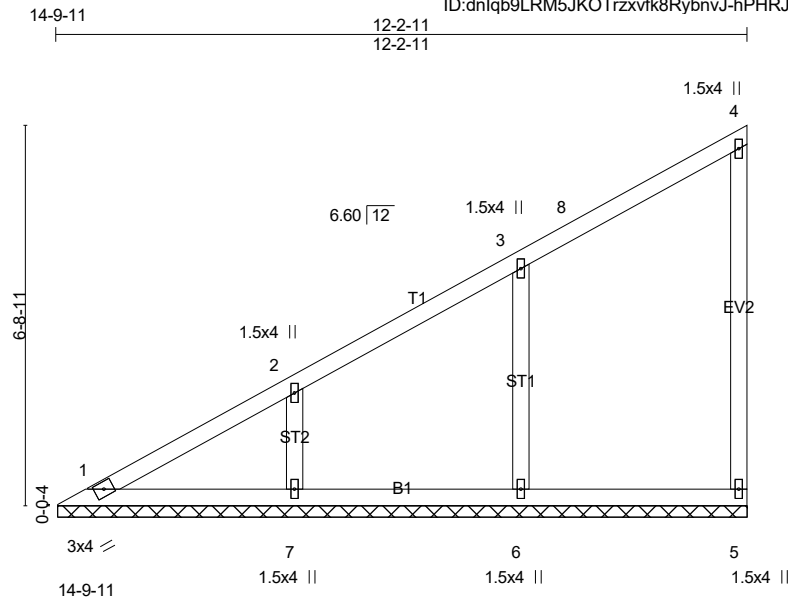
- NOTES-**
- 1) Wind: ASCE 7-10; Vult=115mph (3-second gust) Vasd=91mph; TCDL=6.0psf; BCDL=3.0psf; h=25ft; B=45ft; L=24ft; eave=4ft; Cat. II; Exp B; Enclosed; MWFRS (directional) and C-C Corner(3) 0-6-14 to 4-9-13, Exterior(2) 4-9-13 to 15-1-5 zone; C-C for members and forces & MWFRS for reactions shown; Lumber DOL=1.60 plate grip DOL=1.60
 - 2) TCLL: ASCE 7-10; Pr=20.0 psf (roof live load: Lumber DOL=1.15 Plate DOL=1.15); Pg=20.0 psf (ground snow); Pf=15.4 psf (flat roof snow: Lumber DOL=1.15 Plate DOL=1.15); Category II; Exp B; Partially Exp.; Ct=1.10
 - 3) Unbalanced snow loads have been considered for this design.
 - 4) All plates are 1.5x4 MT20 unless otherwise indicated.
 - 5) Gable requires continuous bottom chord bearing.
 - 6) This truss has been designed for a 10.0 psf bottom chord live load nonconcurrent with any other live loads.
 - 7) * This truss has been designed for a live load of 20.0psf on the bottom chord in all areas where a rectangle 3-6-0 tall by 2-0-0 wide will fit between the bottom chord and any other members, with BCDL = 10.0psf.
 - 8) This truss is designed in accordance with the 2015 International Residential Code sections R502.11.1 and R802.10.2 and referenced standard ANSI/TPI 1.

LOAD CASE(S) Standard

Job 2310931	Truss VB4	Truss Type VALLEY	Qty 2	Ply 1	Lamco Custom - Kristie Bonus Rm. Job Reference (optional)
----------------	--------------	----------------------	----------	----------	--

Probuild East, Albemarle, NC 28001

8.240 s Mar 9 2020 MiTek Industries, Inc. Mon Apr 20 14:08:17 2020 Page 1
ID: dnlqb9LRM5JKOTrzxvfk8RybnvJ-hPHRJ1iqS8Erbd2IQIal0VBm_YoM4sCq6wwgGuzOnnC



Scale = 1:40.7

LOADING (psf)	SPACING-	CSI.	DEFL.	PLATES	GRIP
TCLL (roof) 20.0	2-0-0	TC 0.19	in (loc) l/defl L/d	MT20	244/190
Snow (Pf/Pg) 15.4/20.0	Plate Grip DOL 1.15	BC 0.17	Vert(LL) n/a - n/a 999		
TCDL 10.0	Lumber DOL 1.15	WB 0.10	Vert(CT) n/a - n/a 999		
BCLL 0.0 *	Rep Stress Incr YES	Matrix-SH	Horz(CT) 0.00 5 n/a n/a		
BCDL 10.0	Code IRC2015/TPI2014			Weight: 56 lb	FT = 20%

LUMBER-
TOP CHORD 2x4 SP No.2
BOT CHORD 2x4 SP No.2
WEBS 2x4 SP No.3
OTHERS 2x4 SP No.3

BRACING-
TOP CHORD Structural wood sheathing directly applied or 6-0-0 oc purlins, except end verticals.
BOT CHORD Rigid ceiling directly applied or 10-0-0 oc bracing.

MiTek recommends that Stabilizers and required cross bracing be installed during truss erection, in accordance with Stabilizer Installation guide.

REACTIONS. All bearings 12-2-4.
(lb) - Max Horz 1=143(LC 16)
Max Uplift All uplift 100 lb or less at joint(s) 5, 6, 7
Max Grav All reactions 250 lb or less at joint(s) 1, 5 except 6=396(LC 27), 7=338(LC 2)

FORCES. (lb) - Max. Comp./Max. Ten. - All forces 250 (lb) or less except when shown.
WEBS 3-6=-257/117

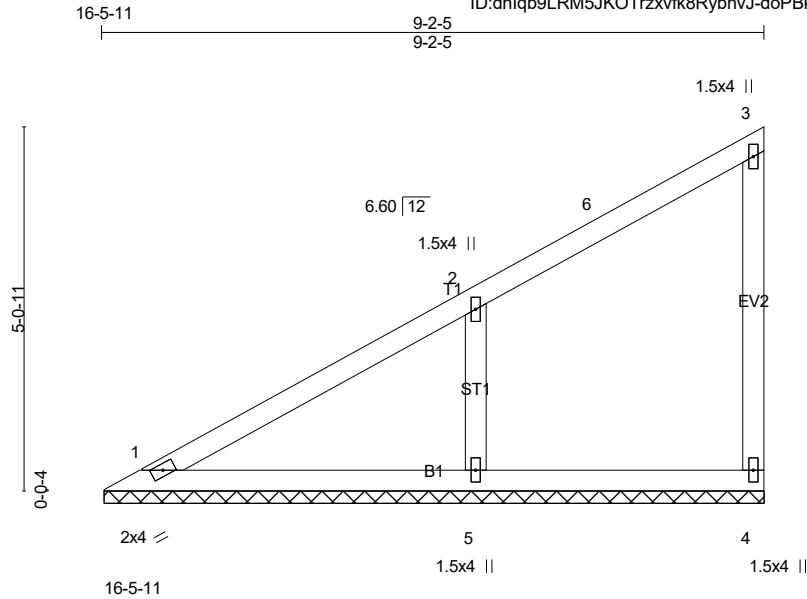
- NOTES-**
- 1) Wind: ASCE 7-10; Vult=115mph (3-second gust) Vasd=91mph; TCDL=6.0psf; BCDL=3.0psf; h=25ft; B=45ft; L=24ft; eave=4ft; Cat. II; Exp B; Enclosed; MWFRS (directional) and C-C Corner(3) 0-6-14 to 4-9-13, Exterior(2) 4-9-13 to 12-0-15 zone; C-C for members and forces & MWFRS for reactions shown; Lumber DOL=1.60 plate grip DOL=1.60
 - 2) TCLL: ASCE 7-10; Pr=20.0 psf (roof live load: Lumber DOL=1.15 Plate DOL=1.15); Pg=20.0 psf (ground snow); Pf=15.4 psf (flat roof snow: Lumber DOL=1.15 Plate DOL=1.15); Category II; Exp B; Partially Exp.; Ct=1.10
 - 3) Unbalanced snow loads have been considered for this design.
 - 4) Gable requires continuous bottom chord bearing.
 - 5) This truss has been designed for a 10.0 psf bottom chord live load nonconcurrent with any other live loads.
 - 6) * This truss has been designed for a live load of 20.0psf on the bottom chord in all areas where a rectangle 3-6-0 tall by 2-0-0 wide will fit between the bottom chord and any other members, with BCDL = 10.0psf.
 - 7) This truss is designed in accordance with the 2015 International Residential Code sections R502.11.1 and R802.10.2 and referenced standard ANSI/TPI 1.

LOAD CASE(S) Standard

Job 2310931	Truss VB5	Truss Type VALLEY	Qty 2	Ply 1	Lamco Custom - Kristie Bonus Rm. Job Reference (optional)
----------------	--------------	----------------------	----------	----------	--

Probuild East, Albemarle, NC 28001

8.240 s Mar 9 2020 MiTek Industries, Inc. Mon Apr 20 14:08:19 2020 Page 1
ID:dn1qb9LRM5JKOTrzxvfk8RybnvJ-doPBkjj4_IVZrwC8YjcD5wG3iMTcYm37ZEPnLnzOnnA



Scale: 3/8"=1'

LOADING (psf)	SPACING-	CSI.	DEFL.	PLATES	GRIP
TCLL (roof) 20.0	2-0-0	TC 0.30	in (loc) l/defl L/d	MT20	244/190
Snow (Pf/Pg) 15.4/20.0	Plate Grip DOL 1.15	BC 0.18	Vert(LL) n/a - n/a 999		
TCDL 10.0	Lumber DOL 1.15	WB 0.07	Vert(CT) n/a - n/a 999		
BCLL 0.0 *	Rep Stress Incr YES	Matrix-P	Horz(CT) 0.00 n/a n/a		
BCDL 10.0	Code IRC2015/TPI2014			Weight: 38 lb	FT = 20%

LUMBER-
TOP CHORD 2x4 SP No.2
BOT CHORD 2x4 SP No.2
WEBS 2x4 SP No.3
OTHERS 2x4 SP No.3

BRACING-
TOP CHORD Structural wood sheathing directly applied or 6-0-0 oc purlins, except end verticals.
BOT CHORD Rigid ceiling directly applied or 10-0-0 oc bracing.

MiTek recommends that Stabilizers and required cross bracing be installed during truss erection, in accordance with Stabilizer Installation guide.

REACTIONS. (lb/size) 1=129/9-1-14 (min. 0-1-8), 4=94/9-1-14 (min. 0-1-8), 5=377/9-1-14 (min. 0-1-8)
Max Horz 1=105(LC 16)
Max Uplift 4=-15(LC 16), 5=-61(LC 16)
Max Grav 1=145(LC 2), 4=113(LC 20), 5=426(LC 2)

FORCES. (lb) - Max. Comp./Max. Ten. - All forces 250 (lb) or less except when shown.
WEBS 2-5=-320/153

NOTES-

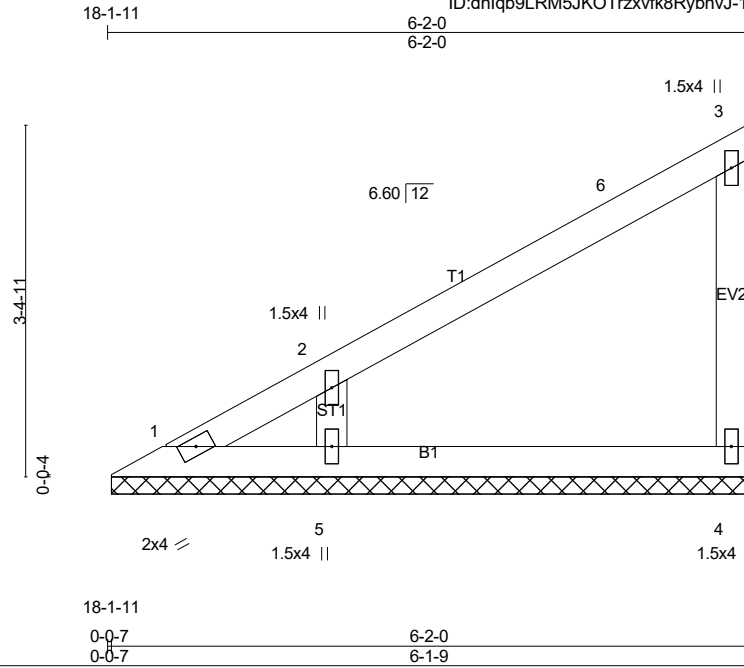
- 1) Wind: ASCE 7-10; Vult=115mph (3-second gust) Vasd=91mph; TCDL=6.0psf; BCDL=3.0psf; h=25ft; B=45ft; L=24ft; eave=4ft; Cat. II; Exp B; Enclosed; MWFRS (directional) and C-C Corner(3) 0-6-14 to 4-9-13, Exterior(2) 4-9-13 to 9-0-9 zone; C-C for members and forces & MWFRS for reactions shown; Lumber DOL=1.60 plate grip DOL=1.60
- 2) TCLL: ASCE 7-10; Pr=20.0 psf (roof live load: Lumber DOL=1.15 Plate DOL=1.15); Pg=20.0 psf (ground snow); Pf=15.4 psf (flat roof snow: Lumber DOL=1.15 Plate DOL=1.15); Category II; Exp B; Partially Exp.; Ct=1.10
- 3) Unbalanced snow loads have been considered for this design.
- 4) Gable requires continuous bottom chord bearing.
- 5) This truss has been designed for a 10.0 psf bottom chord live load nonconcurrent with any other live loads.
- 6) * This truss has been designed for a live load of 20.0psf on the bottom chord in all areas where a rectangle 3-6-0 tall by 2-0-0 wide will fit between the bottom chord and any other members.
- 7) This truss is designed in accordance with the 2015 International Residential Code sections R502.11.1 and R802.10.2 and referenced standard ANSI/TPI 1.

LOAD CASE(S) Standard

Job 2310931	Truss VB6	Truss Type VALLEY	Qty 2	Ply 1	Lamco Custom - Kristie Bonus Rm. Job Reference (optional)
----------------	--------------	----------------------	----------	----------	--

Probuild East, Albemarle, NC 28001

8.240 s Mar 9 2020 MiTek Industries, Inc. Mon Apr 20 14:08:22 2020 Page 1
ID:dnIqb9LRM5JKOTrzxvfk8RybnvJ-1N5KMkmzGgt8iOwjDrAwjZubfZWL18DZFCeRy6zOnn7



Scale = 1:22.2

LOADING (psf)	SPACING-	CSI.	DEFL.	in (loc)	I/defl	L/d	PLATES	GRIP
TCLL (roof) 20.0	2-0-0	TC 0.19	Vert(LL)	n/a	-	n/a	MT20	244/190
Snow (Pf/Pg) 15.4/20.0	Plate Grip DOL 1.15	BC 0.12	Vert(CT)	n/a	-	n/a		
TCDL 10.0	Lumber DOL 1.15	WB 0.05	Horz(CT)	0.00		n/a		
BCLL 0.0 *	Rep Stress Incr YES	Matrix-P						
BCDL 10.0	Code IRC2015/TPI2014						Weight: 24 lb	FT = 20%

LUMBER-
TOP CHORD 2x4 SP No.2
BOT CHORD 2x4 SP No.2
WEBS 2x4 SP No.3
OTHERS 2x4 SP No.3

BRACING-
TOP CHORD Structural wood sheathing directly applied or 6-0-0 oc purlins, except end verticals.
BOT CHORD Rigid ceiling directly applied or 10-0-0 oc bracing.

MiTek recommends that Stabilizers and required cross bracing be installed during truss erection, in accordance with Stabilizer Installation guide.

REACTIONS. (lb/size) 1=-6/6-1-8 (min. 0-1-8), 4=111/6-1-8 (min. 0-1-8), 5=281/6-1-8 (min. 0-1-8)
Max Horz 1=68(LC 16)
Max Uplift 1=-16(LC 14), 4=-18(LC 16), 5=-45(LC 16)
Max Grav 1=38(LC 16), 4=125(LC 2), 5=317(LC 2)

FORCES. (lb) - Max. Comp./Max. Ten. - All forces 250 (lb) or less except when shown.

NOTES-

- 1) Wind: ASCE 7-10; Vult=115mph (3-second gust) Vasd=91mph; TCDL=6.0psf; BCDL=3.0psf; h=25ft; B=45ft; L=24ft; eave=4ft; Cat. II; Exp B; Enclosed; MWFRS (directional) and C-C Corner(3) 0-6-14 to 4-9-13, Exterior(2) 4-9-13 to 6-0-4 zone; C-C for members and forces & MWFRS for reactions shown; Lumber DOL=1.60 plate grip DOL=1.60
- 2) TCLL: ASCE 7-10; Pr=20.0 psf (roof live load: Lumber DOL=1.15 Plate DOL=1.15); Pg=20.0 psf (ground snow); Pf=15.4 psf (flat roof snow: Lumber DOL=1.15 Plate DOL=1.15); Category II; Exp B; Partially Exp.; Ct=1.10
- 3) Unbalanced snow loads have been considered for this design.
- 4) This truss has been designed for a 10.0 psf bottom chord live load nonconcurrent with any other live loads.
- 5) * This truss has been designed for a live load of 20.0psf on the bottom chord in all areas where a rectangle 3-6-0 tall by 2-0-0 wide will fit between the bottom chord and any other members.
- 6) One MTS12 Simpson Strong-Tie connectors recommended to connect truss to bearing walls due to UPLIFT at jt(s) 1. This connection is for uplift only and does not consider lateral forces.
- 7) This truss is designed in accordance with the 2015 International Residential Code sections R502.11.1 and R802.10.2 and referenced standard ANSI/TPI 1.

LOAD CASE(S) Standard