

Trenco
818 Soundside Rd
Edenton, NC 27932

Re: J0821-4866
Watermark/Lot 8 Oak Haven/Johnston

The truss drawing(s) referenced below have been prepared by Truss Engineering Co. under my direct supervision based on the parameters provided by Comtech, Inc - Fayetteville.

Pages or sheets covered by this seal: I51607269 thru I51607269

My license renewal date for the state of North Carolina is December 31, 2022.

North Carolina COA: C-0844



April 29, 2022

Sevier, Scott

IMPORTANT NOTE: The seal on these truss component designs is a certification that the engineer named is licensed in the jurisdiction(s) identified and that the designs comply with ANSI/TPI 1. These designs are based upon parameters shown (e.g., loads, supports, dimensions, shapes and design codes), which were given to MiTek or TRENCO. Any project specific information included is for MiTek's or TRENCO's customers file reference purpose only, and was not taken into account in the preparation of these designs. MiTek or TRENCO has not independently verified the applicability of the design parameters or the designs for any particular building. Before use, the building designer should verify applicability of design parameters and properly incorporate these designs into the overall building design per ANSI/TPI 1, Chapter 2.

Job	Truss	Truss Type	Qty	Ply	Watermark/Lot 8 Oak Haven/Johnston	151607269
J0821-4866	F01	Floor	3	1	Job Reference (optional)	

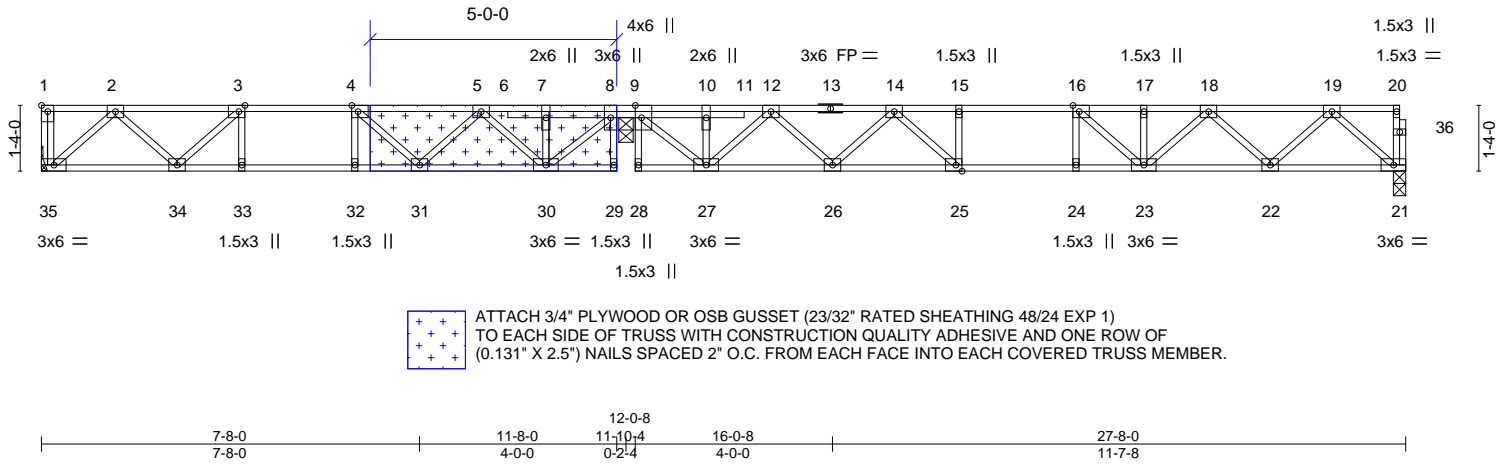
Comtech, Inc. Fayetteville, NC - 28314,

8.430 s Aug 16 2021 MiTek Industries, Inc. Wed Apr 27 09:00:27 2022 Page 1
 ID:kgJ9S4DHX_w?ZrdwXoXyZy4qF-BFFQOLs3jKWYLIYBb3?RH_55GYapIKsaf8Ubf_zMZW2



Scale = 1:46.7

REPAIR: DAMGED PLATE AT JOINT 31
 TOP CHORD DAMAGED AT JOINT 5



ATTACH 3/4" PLYWOOD OR OSB GUSSET (23/32" RATED SHEATHING 48/24 EXP 1) TO EACH SIDE OF TRUSS WITH CONSTRUCTION QUALITY ADHESIVE AND ONE ROW OF (0.131" X 2.5") NAILS SPACED 2" O.C. FROM EACH FACE INTO EACH COVERED TRUSS MEMBER.

Plate Offsets (X, Y)--	[1:Edge,0-1-8], [3:0-1-8,Edge], [4:0-1-8,Edge], [9:0-3-0,Edge], [16:0-1-8,Edge], [25:0-1-8,Edge]
------------------------	--

LOADING (psf)	SPACING-	2-0-0	CSI.	DEFL.	in (loc)	l/defl	L/d	PLATES	GRIP
TCLL 40.0	Plate Grip DOL	1.00	TC 0.50	Vert(LL)	-0.15 23-24	>999	480	MT20	244/190
TCDL 10.0	Lumber DOL	1.00	BC 0.70	Vert(CT)	-0.20 23-24	>940	360		
BCLL 0.0	Rep Stress Incr	YES	WB 0.43	Horz(CT)	-0.02 8	n/a	n/a		
BCDL 5.0	Code IRC2015/TPI2014		Matrix-S					Weight: 150 lb	FT = 20%F, 11%E

LUMBER-	BRACING-
TOP CHORD 2x4 SP No.1(flat)	TOP CHORD Structural wood sheathing directly applied or 6-0-0 oc purlins, except end verticals.
BOT CHORD 2x4 SP No.1(flat)	BOT CHORD Rigid ceiling directly applied or 10-0-0 oc bracing.
WEBS 2x4 SP No.3(flat)	

REACTIONS. All bearings 0-3-8 except (jt=length) 35=Mechanical, 21=0-3-0.
 (lb) - Max Uplift All uplift 100 lb or less at joint(s) except 8=272(LC 4)
 Max Grav All reactions 250 lb or less at joint(s) except 35=618(LC 13), 8=923(LC 3), 9=1361(LC 4), 21=828(LC 12)

FORCES. (lb) - Max. Comp./Max. Ten. - All forces 250 (lb) or less except when shown.
 TOP CHORD 2-3=-1004/0, 3-4=-1403/0, 4-5=-1238/0, 5-7=-513/0, 7-8=-513/0, 9-10=-693/0, 10-12=-693/0, 12-14=-1882/0, 14-15=-2574/0, 15-16=-2574/0, 16-17=-2355/0, 17-18=-2355/0, 18-19=-1469/0
 BOT CHORD 34-35=0/637, 33-34=0/1403, 32-33=0/1403, 31-32=0/1403, 30-31=0/1021, 26-27=0/1432, 25-26=0/2313, 24-25=0/2574, 23-24=0/2574, 22-23=0/2017, 21-22=0/891
 WEBS 8-30=0/668, 5-30=700/0, 5-31=0/313, 4-31=-328/0, 2-35=-848/0, 2-34=0/510, 9-27=0/902, 12-27=-1012/0, 12-26=0/628, 14-26=-602/0, 14-25=0/584, 15-25=-286/0, 19-21=-1184/0, 19-22=0/804, 3-34=-554/0, 18-22=-763/0, 18-23=0/458, 16-23=-566/21

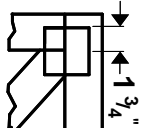
- NOTES-**
- 1) Unbalanced floor live loads have been considered for this design.
 - 2) All plates are 3x4 MT20 unless otherwise indicated.
 - 3) Plates checked for a plus or minus 1 degree rotation about its center.
 - 4) Refer to girder(s) for truss to truss connections.
 - 5) Provide mechanical connection (by others) of truss to bearing plate capable of withstanding 272 lb uplift at joint 8.
 - 6) Recommend 2x6 strongbacks, on edge, spaced at 10-0-0 oc and fastened to each truss with 3-10d (0.131" X 3") nails. Strongbacks to be attached to walls at their outer ends or restrained by other means.
 - 7) Gap between inside of top chord bearing and first diagonal or vertical web shall not exceed 0.500in.
 - 8) CAUTION, Do not erect truss backwards.



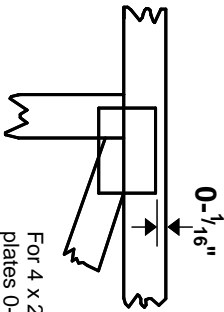
April 29, 2022

Symbols

PLATE LOCATION AND ORIENTATION



Center plate on joint unless x, y offsets are indicated. Dimensions are in ft-in-sixteenths. Apply plates to both sides of truss and fully embed teeth.



For 4 x 2 orientation, locate plates 0- 1/16" from outside edge of truss.



This symbol indicates the required direction of slots in connector plates.

* Plate location details available in **MITek 20/20 software or upon request.**

PLATE SIZE

4 X 4

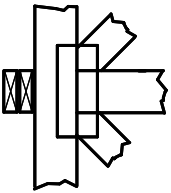
The first dimension is the plate width measured perpendicular to slots. Second dimension is the length parallel to slots.

LATERAL BRACING LOCATION



Indicated by symbol shown and/or by text in the bracing section of the output. Use T or I bracing if indicated.

BEARING



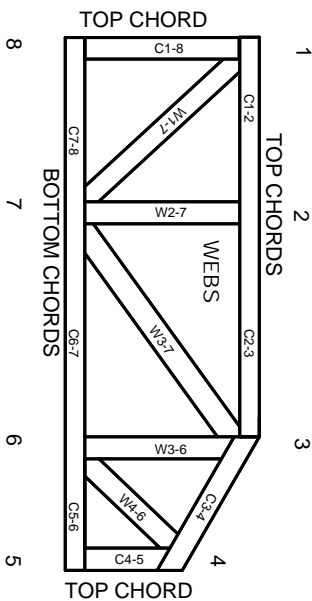
Indicates location where bearings (supports) occur. Icons vary but reaction section indicates joint number where bearings occur. Min size shown is for crushing only.

Industry Standards:

ANSI/TFP 1: National Design Specification for Metal Plate Connected Wood Truss Construction.
DSB-89: Design Standard for Bracing, Building Component Safety Information, Guide to Good Practice for Handling, Installing & Bracing of Metal Plate Connected Wood Trusses.

Numbering System

6-4-8
dimensions shown in ft-in-sixteenths
(Drawings not to scale)



JOINTS ARE GENERALLY NUMBERED/LETTERED CLOCKWISE AROUND THE TRUSS STARTING AT THE JOINT FARTHEST TO THE LEFT.

CHORDS AND WEBS ARE IDENTIFIED BY END JOINT NUMBERS/LETTERS.

PRODUCT CODE APPROVALS

ICC-ES Reports:

ESR-1311, ESR-1352, ESR1988
ER-3907, ESR-2362, ESR-1397, ESR-3282

Trusses are designed for wind loads in the plane of the truss unless otherwise shown.

Lumber design values are in accordance with ANSI/TFP 1 section 6.3 These truss designs rely on lumber values established by others.

© 2012 MITteK® All Rights Reserved



MITek Engineering Reference Sheet: Mill-7473 rev. 5/19/2020



General Safety Notes

Failure to Follow Could Cause Property Damage or Personal Injury

1. Additional stability bracing for truss system, e.g. diagonal or X-bracing, is always required. See BCSI.
2. Truss bracing must be designed by an engineer. For wide truss spacing, individual lateral braces themselves may require bracing, or alternative Tor I bracing should be considered.
3. Never exceed the design loading shown and never stack materials on inadequately braced trusses.
4. Provide copies of this truss design to the building designer, erection supervisor, property owner and all other interested parties.
5. Cut members to bear tightly against each other.
6. Place plates on each face of truss at each joint and embed fully. Knots and wane at joint locations are regulated by ANSI/TFP 1.
7. Design assumes trusses will be suitably protected from the environment in accord with ANSI/TFP 1.
8. Unless otherwise noted, moisture content of lumber shall not exceed 19% at time of fabrication.
9. Unless expressly noted, this design is not applicable for use with fire retardant, preservative treated, or green lumber.
10. Camber is a non-structural consideration and is the responsibility of truss fabricator. General practice is to camber for dead load deflection.
11. Plate type, size, orientation and location dimensions indicated are minimum plating requirements.
12. Lumber used shall be of the species and size, and in all respects, equal to or better than that specified.
13. Top chords must be sheathed or purlins provided at spacing indicated on design.
14. Bottom chords require lateral bracing at 10 ft. spacing, or less, if no ceiling is installed, unless otherwise noted.
15. Connections not shown are the responsibility of others.
16. Do not cut or alter truss member or plate without prior approval of an engineer.
17. Install and load vertically unless indicated otherwise.
18. Use of green or treated lumber may pose unacceptable environmental, health or performance risks. Consult with project engineer before use.
19. Review all portions of this design (front, back, words and pictures) before use. Rewriting pictures alone is not sufficient.
20. Design assumes manufacture in accordance with ANSI/TFP 1 Quality Criteria.
21. The design does not take into account any dynamic or other loads other than those expressly stated.