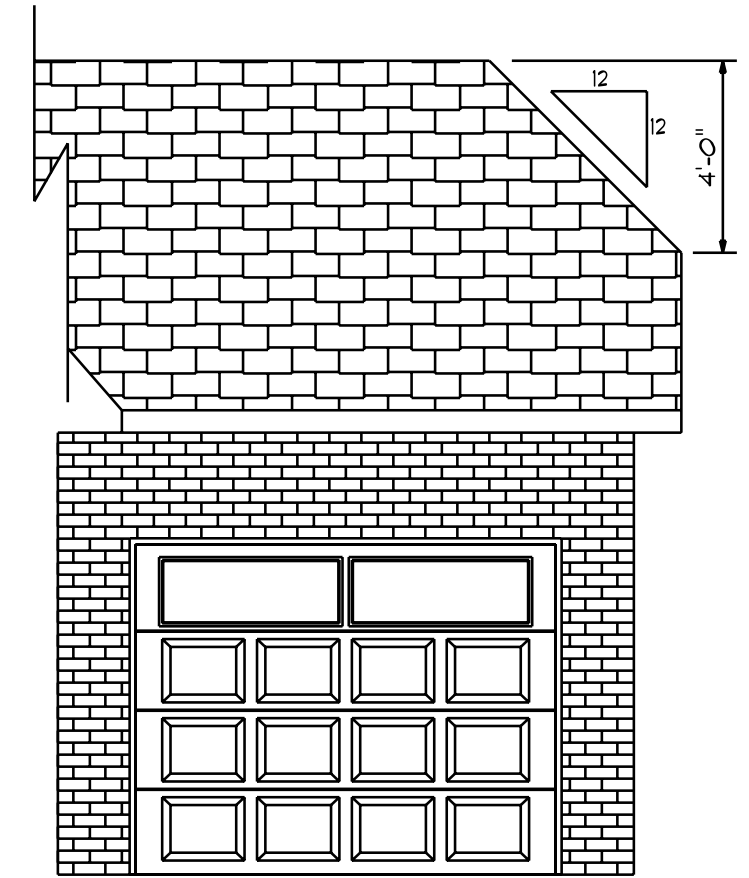




Optional Wrap-Around
Porch

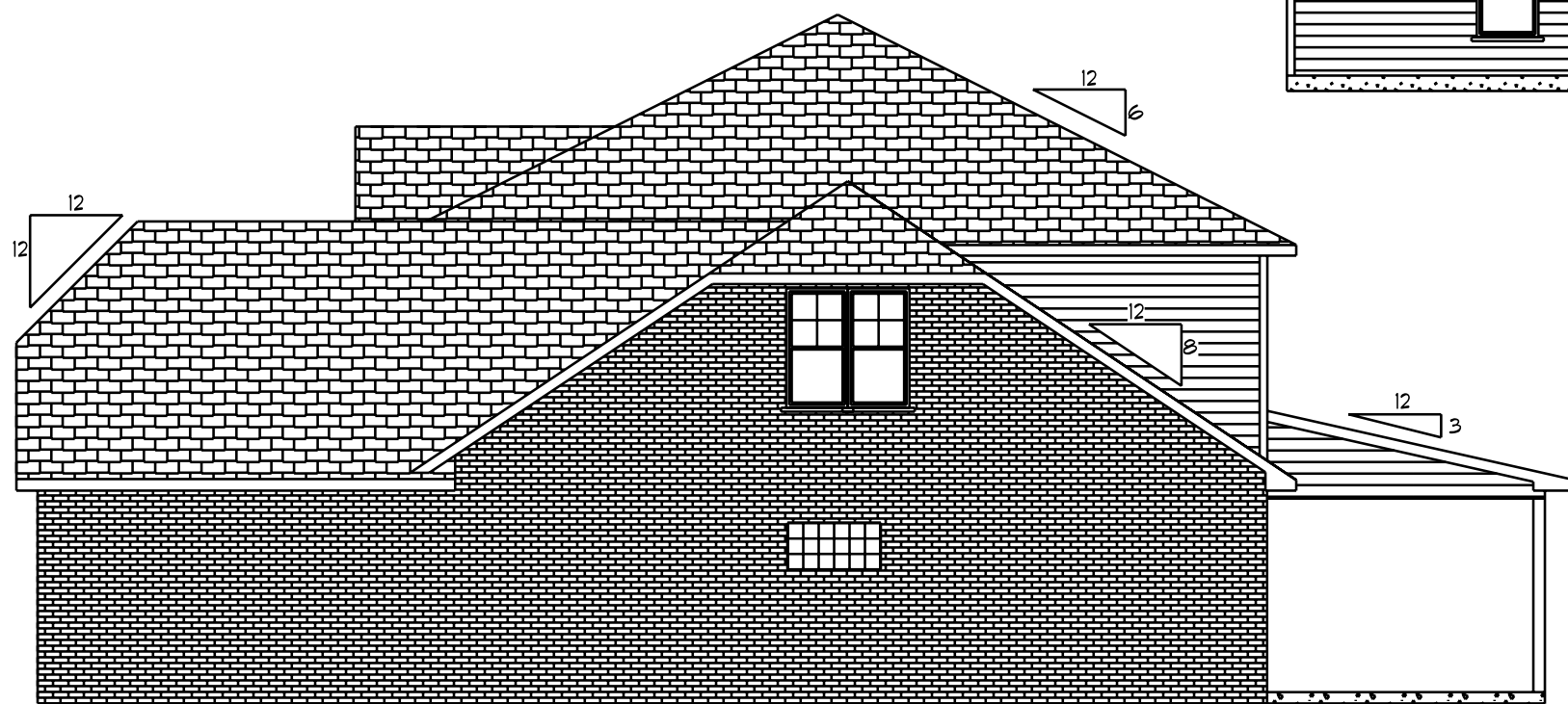
Front Elevation
Scale: 1/4" = 1'0"



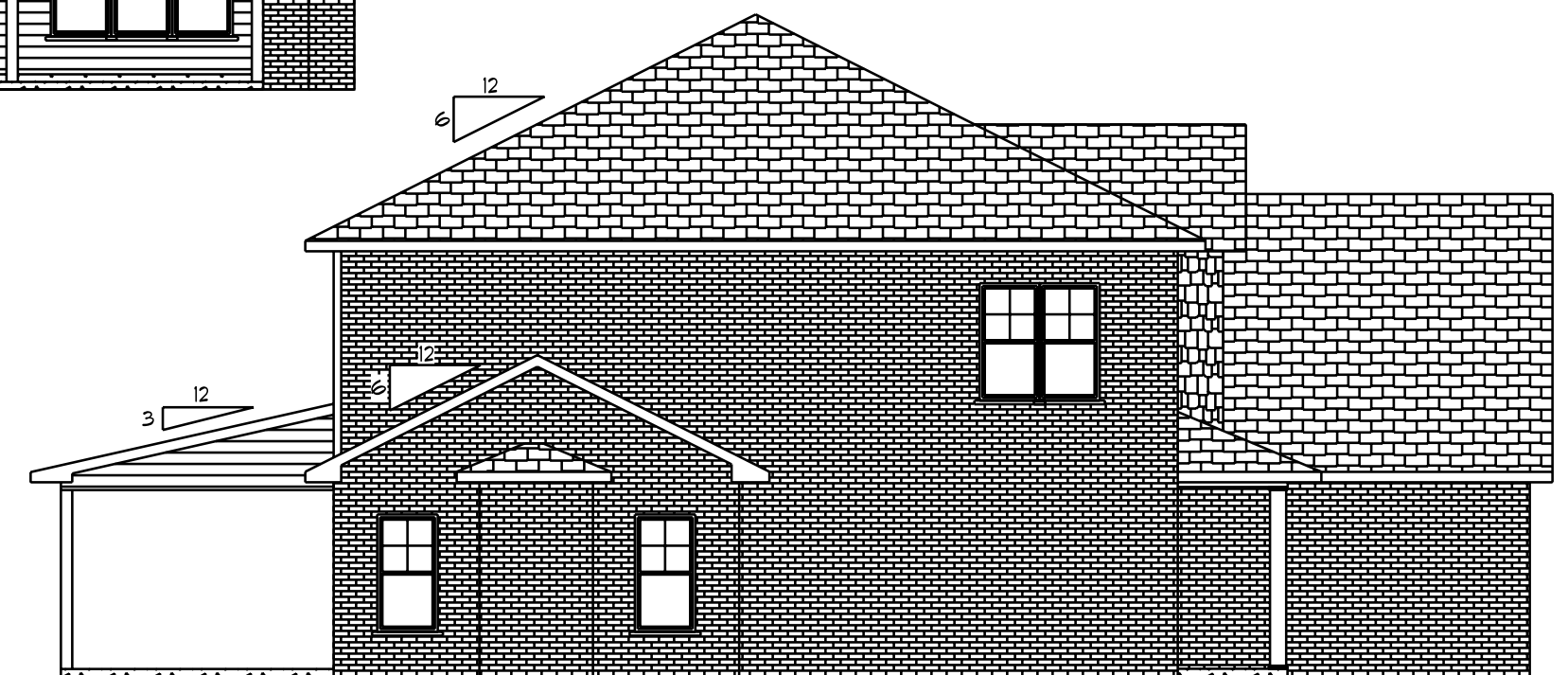
Optional Garage



Rear Elevation
Scale: 1/8" = 1'0"



Right Elevation
Scale: 1/8" = 1'0"



Left Elevation
Scale: 1/8" = 1'0"

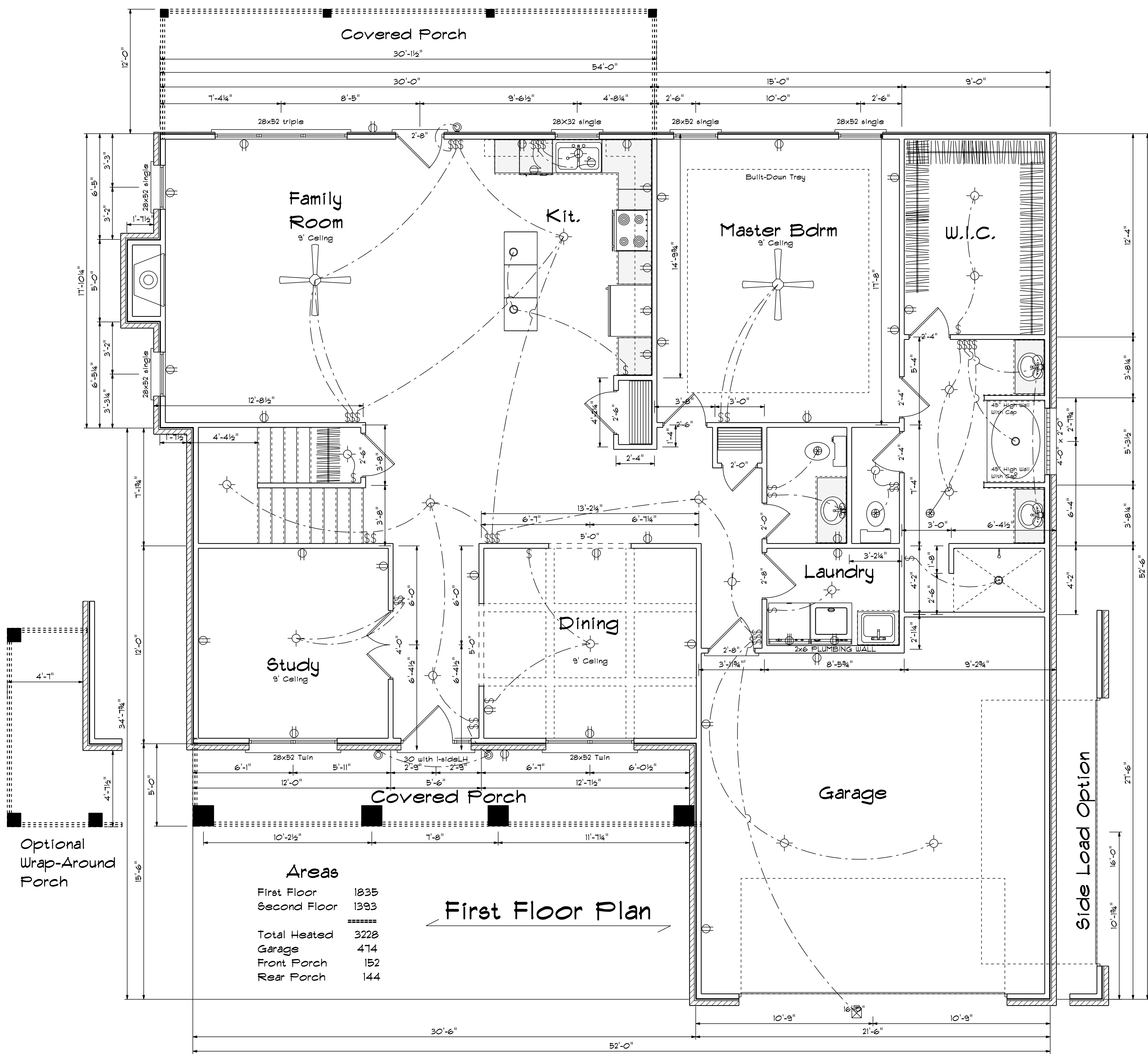
The Jones Plan

SCALE: 1/4"
DRAWN BY
APPROVED

Elev B

DATE: Wednesday, June 3, 2020
REVISED
DRAWING#

Basco Designs
2727 Chimney Pt.
Linden N.C. 28356
910-864-9310

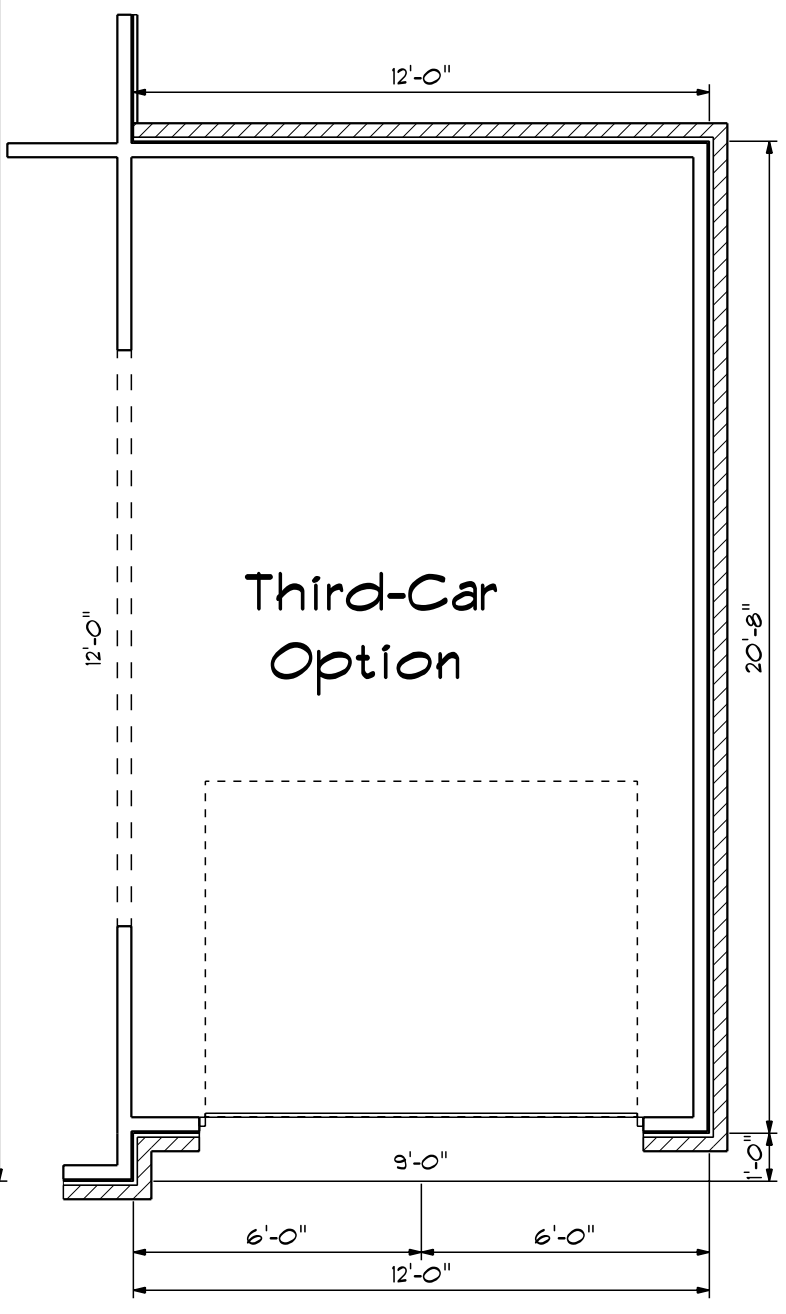
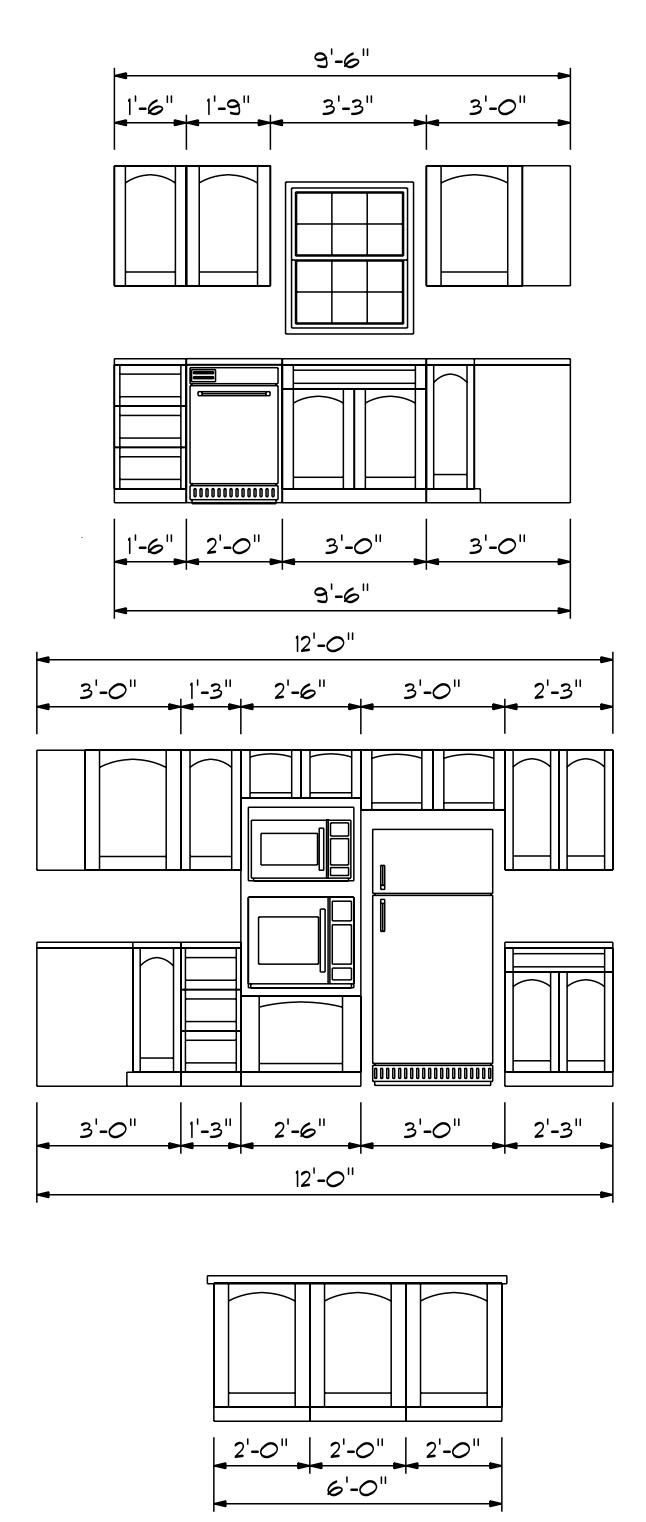


Areas

First Floor	1835
Second Floor	1393
Total Heated	3228
Garage	474
Front Porch	152
Rear Porch	144

First Floor Plan

Kitchen Cabinets



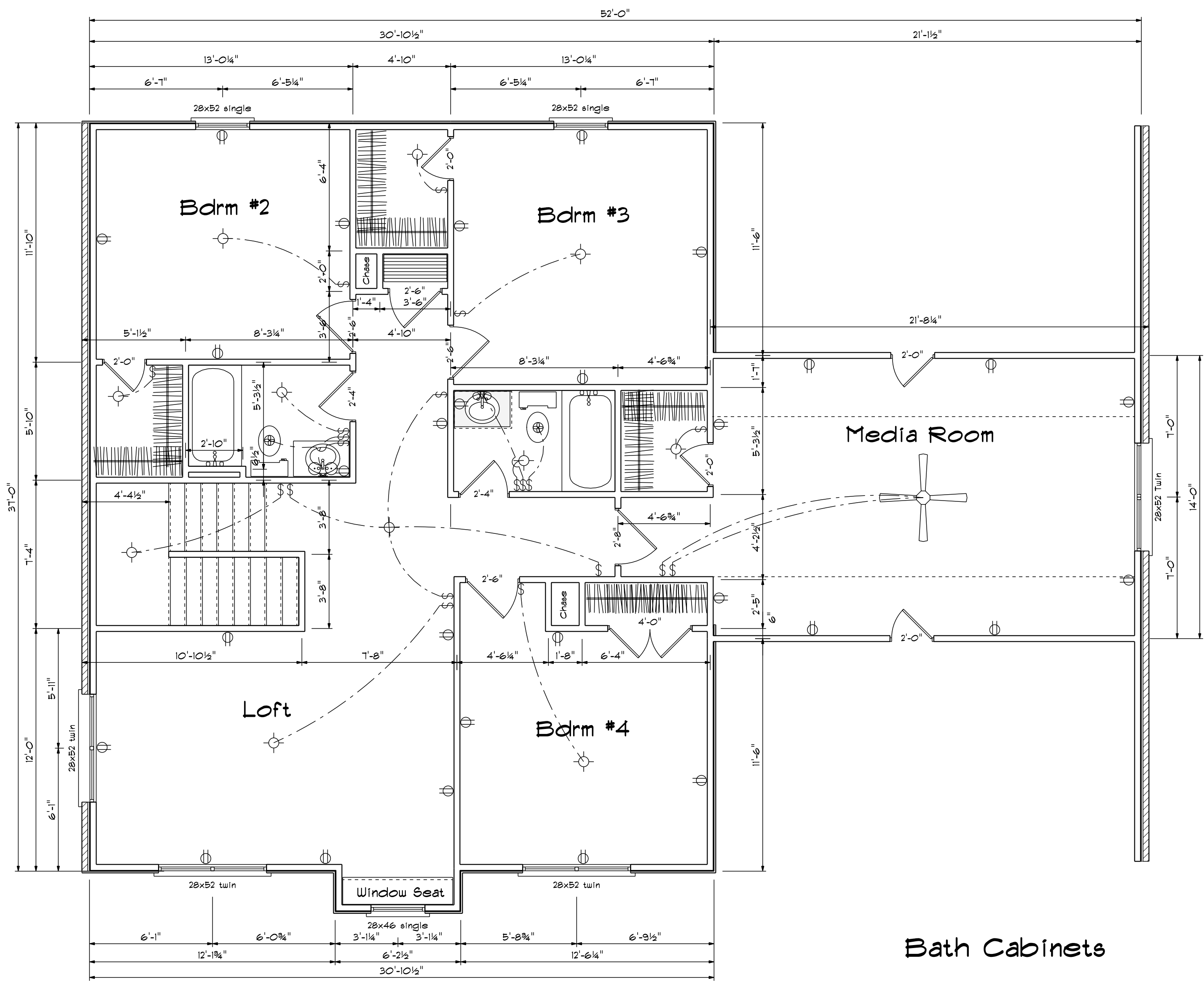
Side Load Option

Basco Designs
 2121 Chimney Pt.
 Linden N.C. 28356
 910-864-9310

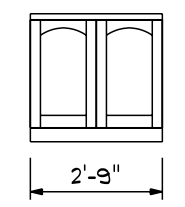
DATE: Wednesday, June 3, 2020
 REVISIONS:
 DRAWING#

SCALE: 1/4"
 DRAWN BY
 APPROVED

The Jones Plan



Second Floor Plan



2nd Floor Opening Schedule

PRODUCT CODE	SIZE	HINGE DIRECTION	COUNT	R.O. WIDTH
40 doublehung colonial	4'-0"	LR	1	4'-2"
2-0 Door Unit LH	2'-0"	L	1	2'-2"
2-0 Door Unit RH	2'-0"	R	3	2'-2"
2-4 Door Unit LH	2'-4"	L	1	2'-6"
2-4 Door Unit RH	2'-4"	R	1	2'-6"
2-6 Door Unit LH	2'-6"	L	2	2'-8"
2-6 Door Unit RH	2'-6"	R	2	2'-8"
2-8 Door Unit LH	2'-8"	L	1	2'-10"
28x46 single	2'-8" x 4'-6"	N	1	2'-8"
28x52 single	2'-8" x 5'-2"	N	2	2'-8"
28x52 twin	5'-4" x 5'-2"	NN	3	5'-4"
2-0 Door Unit	2'-0"	L	1	2'-2"

1st Floor Opening Schedule

PRODUCT CODE	SIZE	HINGE DIRECTION	COUNT	R.O. WIDTH
28 Cased Opening	2'-8"	N	1	2'-8"
60 Cased Opening	6'-0"	N	1	6'-0"
30 with l-side LH	4'-3"	NA	1	4'-3"
32X80 FRENCH A 1	2'-8"	R	1	2'-11"
192X84 - 1 PANEL	16'-0"	U	1	16'-3"
2-8 Exterior Door Unit	2'-8"	L	1	2'-10"
40 doublehung	4'-0"	LR	1	4'-2"
2-0 Door Unit LH	2'-0"	L	2	2'-2"
2-0 Door Unit RH	2'-0"	R	2	2'-2"
2-4 Door Unit LH	2'-4"	L	2	2'-6"
2-6 Door Unit LH	2'-6"	L	2	2'-8"
2-8 Door Unit LH	2'-8"	L	1	2'-10"
28X32 single	2'-8" x 3'-2"	N	1	2'-8"
28x52 single	2'-8" x 5'-2"	N	2	2'-8"
28x52 Twin	5'-4" x 5'-2"	NA	3	5'-4"
28x52 single	2'-8" x 5'-2"	N	3	2'-8"
8X8 GLASS BLOCK	4'-0" x 4'-0"	N	1	4'-0 1/2"

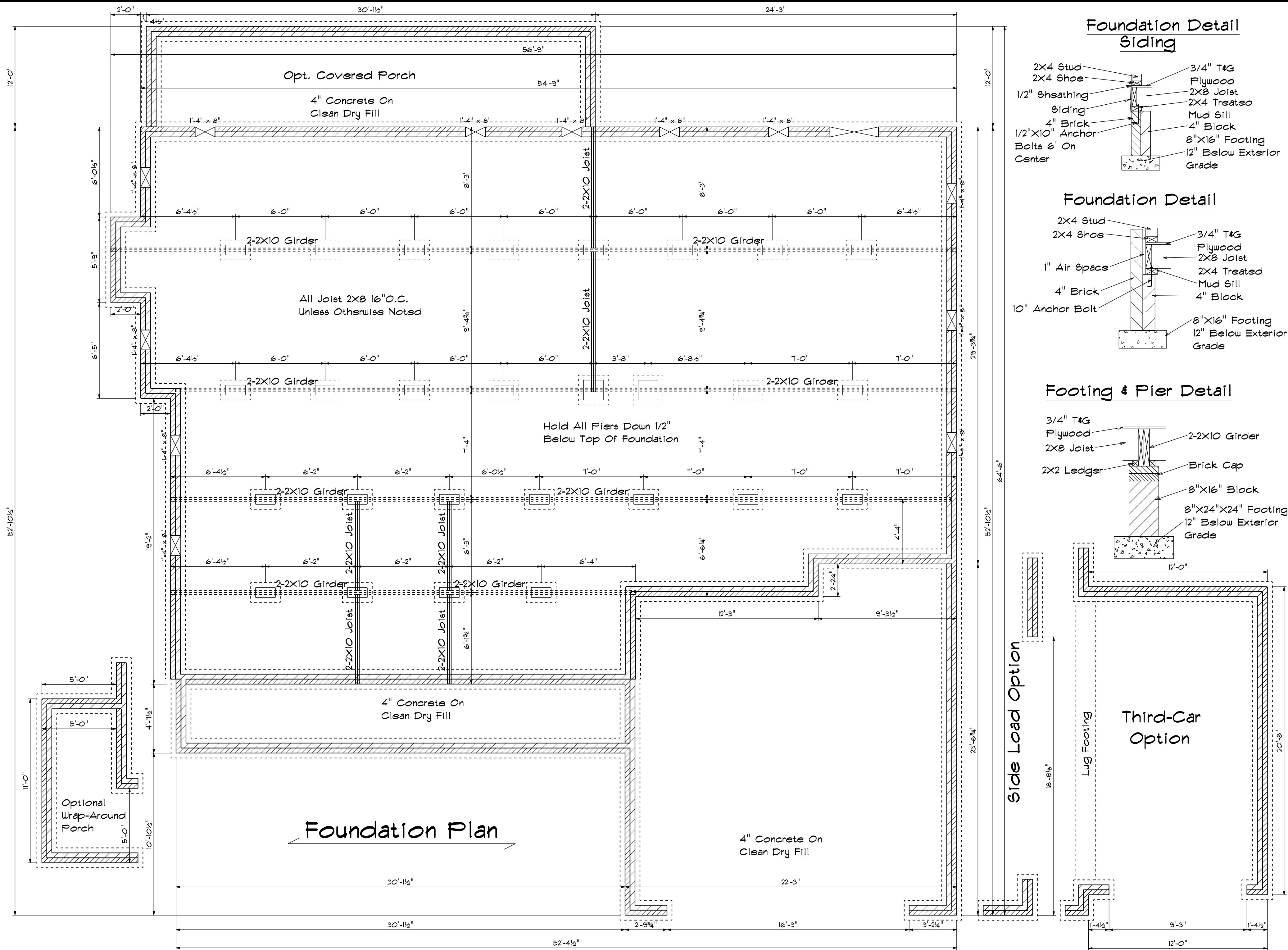
Bath Cabinets

Baso Designs
2121 Chimney Pt.
Linden N.C. 28356
910-864-9310

DATE: Wednesday, June 3, 2020
REVISOR
DRAWING#

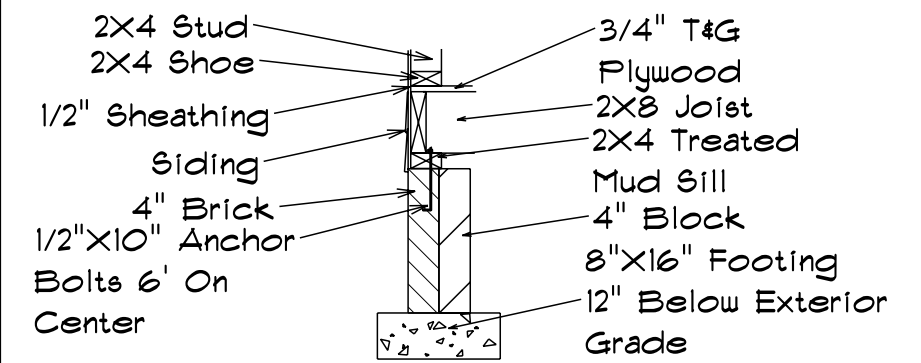
SCALE: 1/4"
DRAWN BY
APPROVED

The Jones Plan

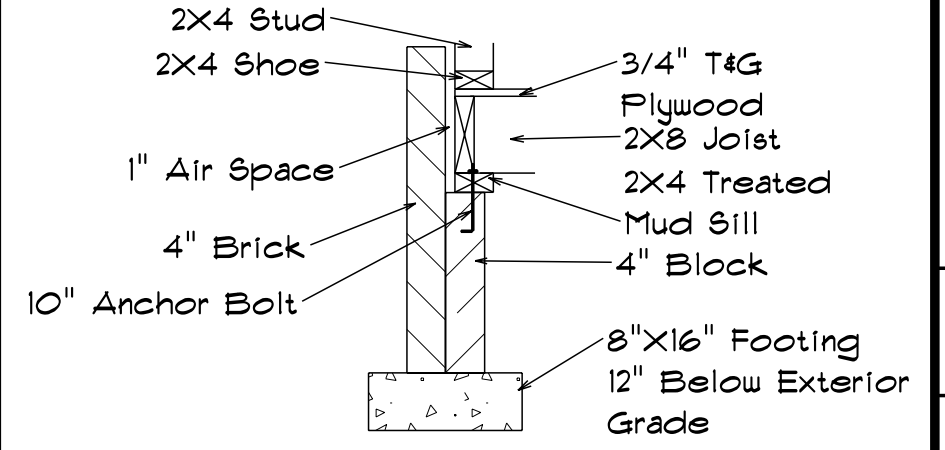


Foundation Plan

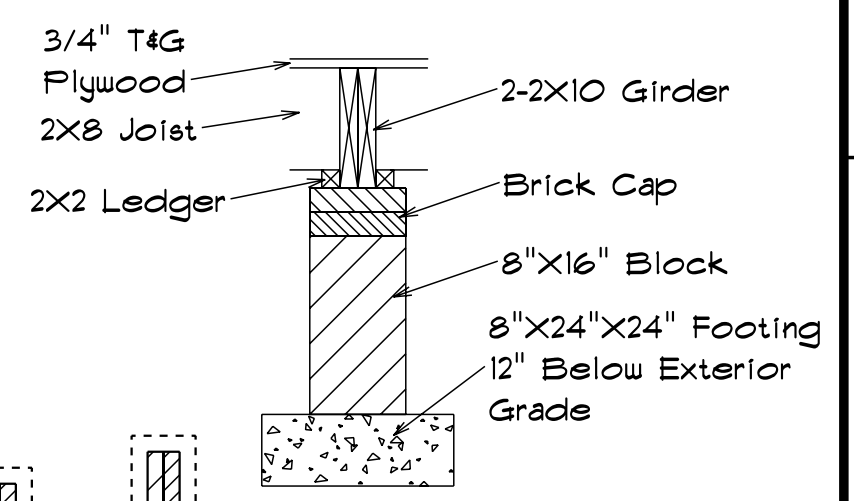
Foundation Detail Siding



Foundation Detail



Footing & Pier Detail



Side Load Option

Lug Footing

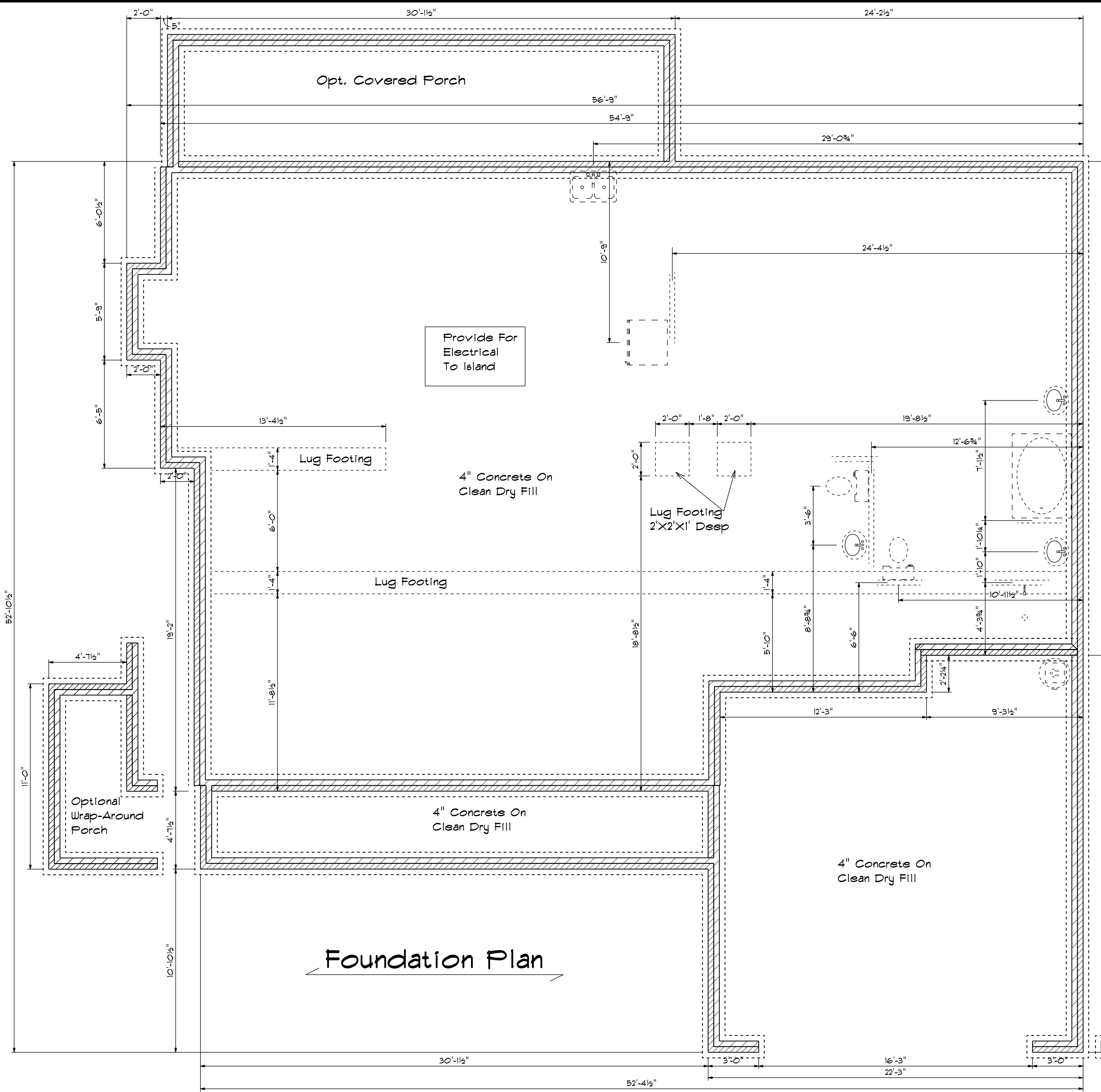
Third-Car Option

The Jones Plan

Base Designs
2121 Chimney Pt.
Linden N.C. 28356
910-864-9310

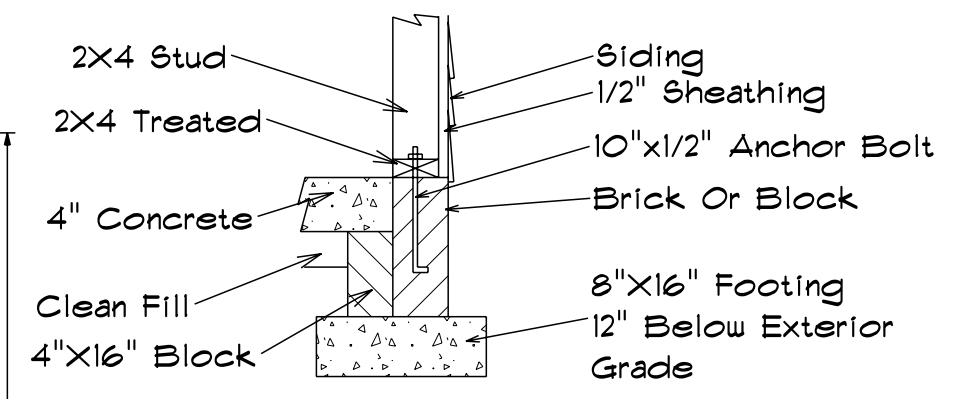
DATE: Wednesday, June 3, 2020
REVISED
DRAWING#

SCALE: 1/4"
DRAWN BY
APPROVED

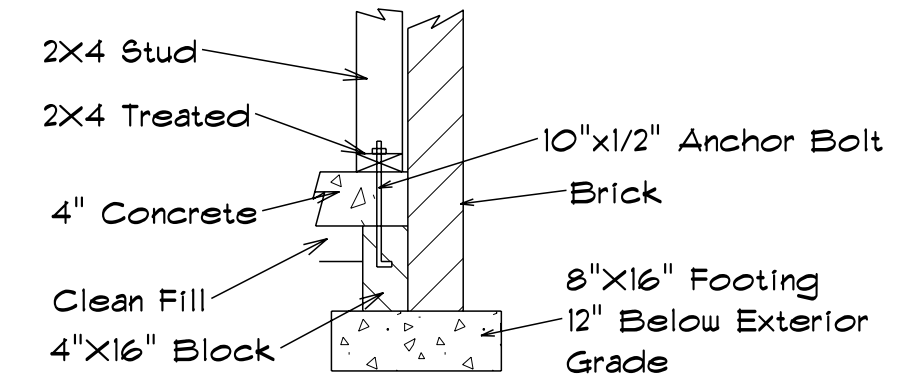


Foundation Plan

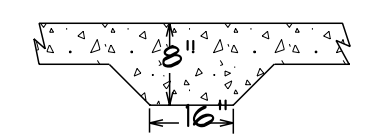
Foundation Detail Siding



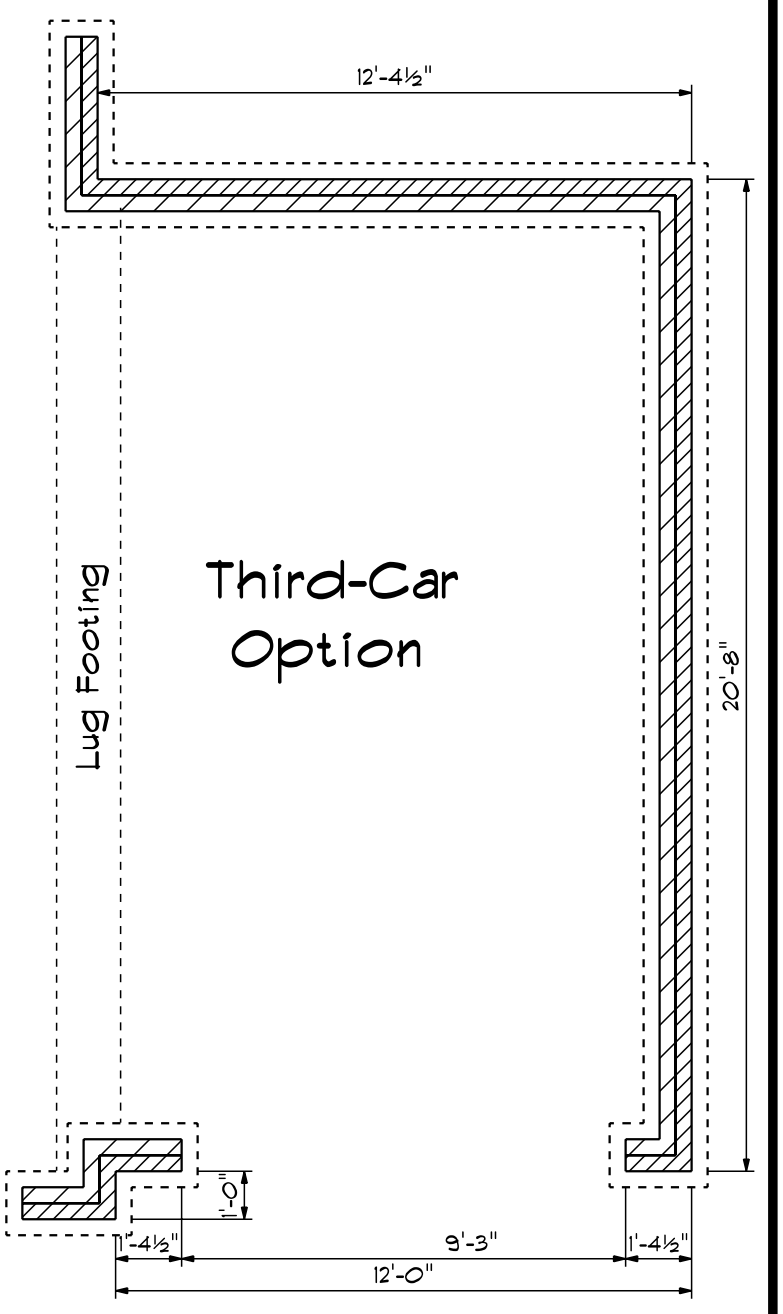
Foundation Detail Brick



Lug Footing Detail



Side Load Option



Base Designs
2121 Chimney Pt.
Linden N.C. 28356
910-864-9310

DATE: Wednesday, June 3, 2020
REVISED
DRAWING#

SCALE: 1/4"
DRAWN BY
APPROVED

The Jones Plan