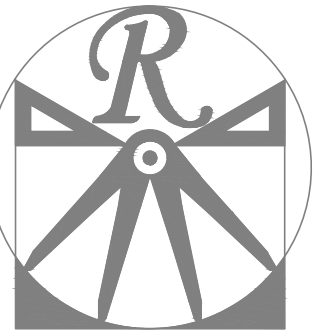


PLANS DESIGNED TO THE
2018 NORTH CAROLINA STATE
RESIDENTIAL BUILDING CODE.

GENERAL NOTES

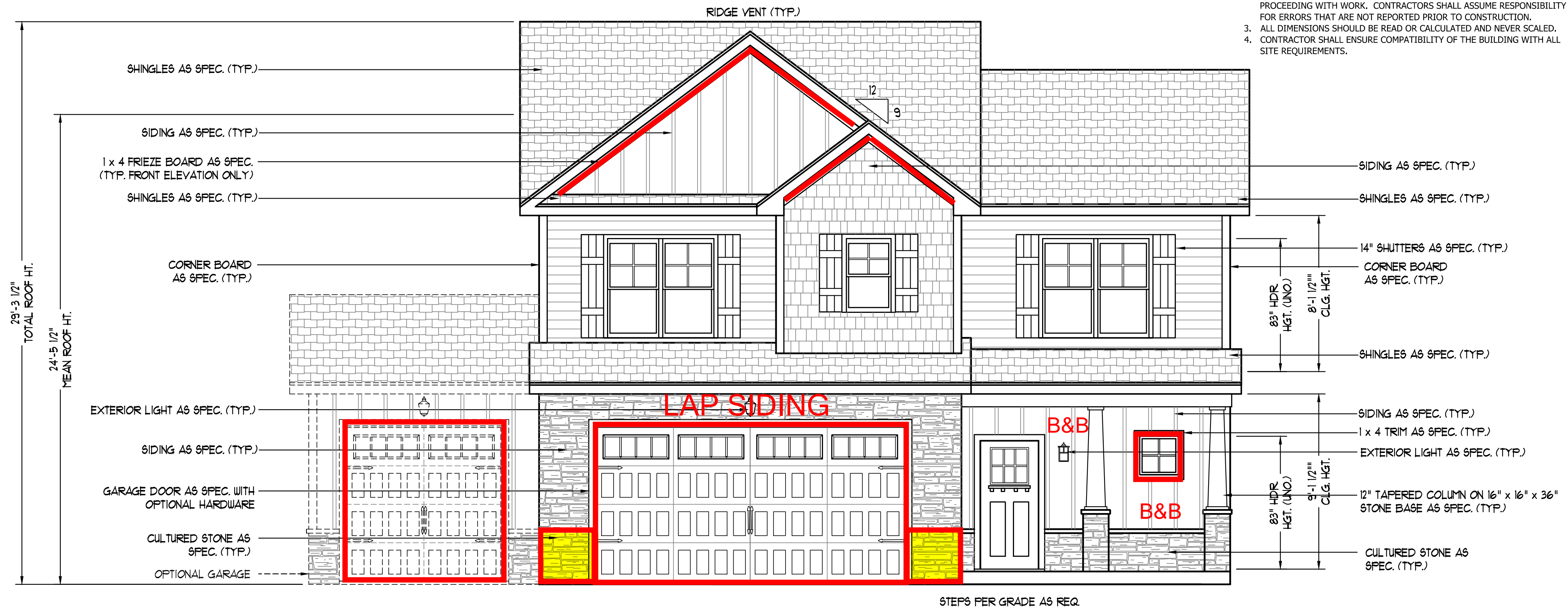
1. ALL WORK SHALL BE PERFORMED IN ACCORDANCE WITH ALL APPLICABLE NATIONAL, STATE, AND LOCAL CODES AND REGULATIONS.
2. CONTRACTOR SHALL THOROUGHLY REVIEW ALL SHEETS IN PLAN SET AND VERIFY ALL DETAILS AND DIMENSIONS BEFORE BEGINNING CONSTRUCTION. ANY DISCREPANCIES SHALL BE REPORTED TO RENAISSANCE RESIDENTIAL DESIGN, INC. FOR JUSTIFICATION AND/OR CORRECTION BEFORE PROCEEDING WITH WORK. CONTRACTORS SHALL ASSUME RESPONSIBILITY FOR ERRORS THAT ARE NOT REPORTED PRIOR TO CONSTRUCTION.
3. ALL DIMENSIONS SHOULD BE READ OR CALCULATED AND NEVER SCALED.
4. CONTRACTOR SHALL ENSURE COMPATIBILITY OF THE BUILDING WITH ALL SITE REQUIREMENTS.



RENAISSANCE
RESIDENTIAL DESIGN, INC.
WILMINGTON, NC (919) 649-4128
WWW.RRDCAROLINA.COM
The art of transforming your vision into reality.

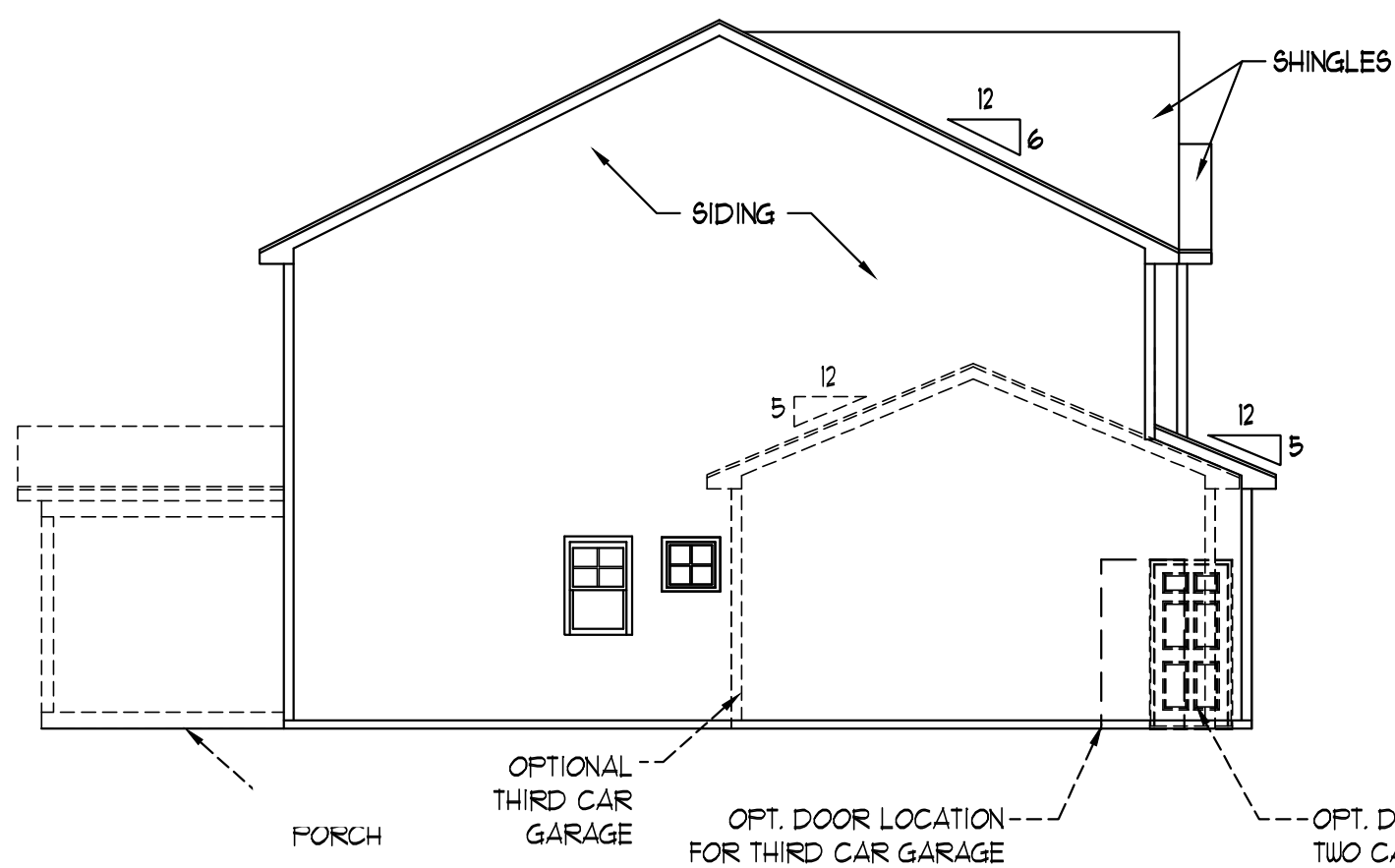
RENAISSANCE RESIDENTIAL DESIGN, INC. RESERVES THE RIGHT TO MAKE MODIFICATIONS TO FLOOR PLANS, DIMENSIONS, MATERIALS, AND SPECIFICATIONS WITHOUT NOTICE. THESE DRAWINGS ARE FOR THE PURPOSE OF CONVEYING AN ARCHITECTURAL CONCEPT ONLY.

RENAISSANCE RESIDENTIAL DESIGN, INC. HEREBY EXPRESSLY RESERVES ITS COMMON LAW COPYRIGHT AND OTHER PROPERTY RIGHTS IN THESE PLANS. THESE PLANS AND DRAWINGS ARE NOT TO BE REPRODUCED, CHANGED, OR COPIED IN ANY FORM OR MANNER WITHOUT FIRST OBTAINING THE EXPRESS WRITTEN CONSENT OF RENAISSANCE RESIDENTIAL DESIGN, INC. NOR ARE THEY TO BE ASSIGNED TO ANY THIRD PARTY WITHOUT FIRST OBTAINING SAID WRITTEN PERMISSION AND CONSENT.

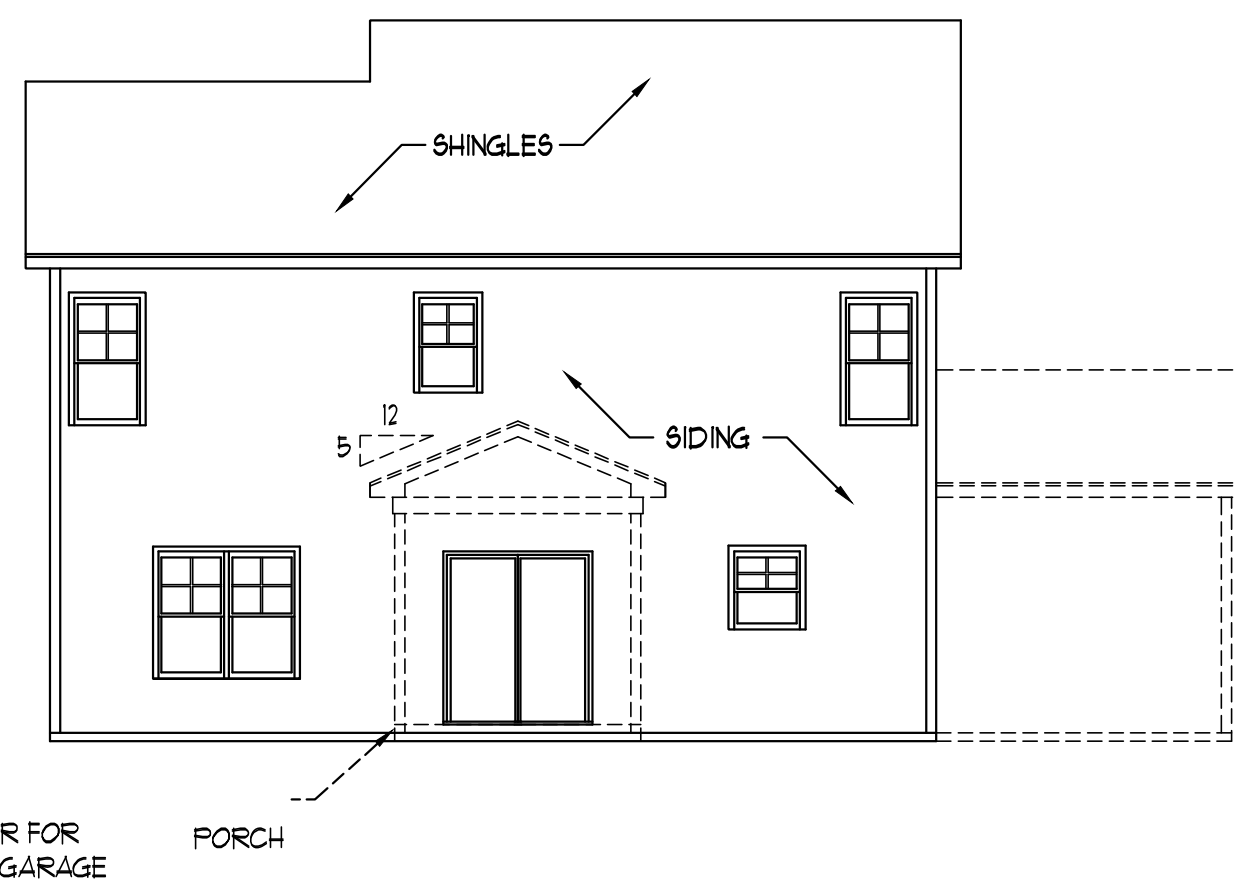


FRONT ELEVATION-C
SCALE: 1/4" = 1'-0"

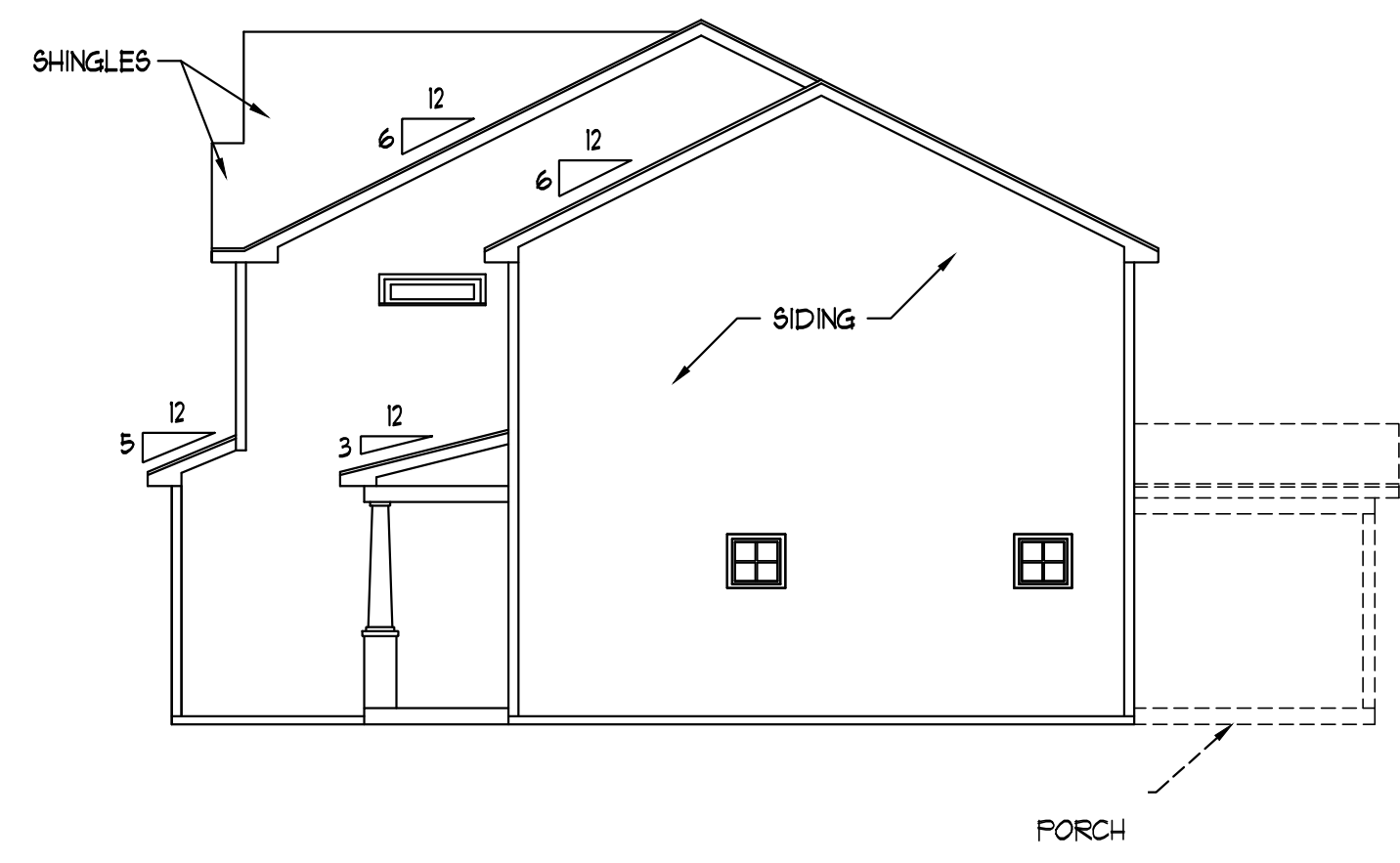
THESE DRAWINGS, INCLUDING REVISED, CORRECTED, OR AMENDED DRAWINGS, ARE THE PROPERTY OF RENAISSANCE RESIDENTIAL DESIGN, INC. AND ARE NOT TO BE REPRODUCED, COPIED, OR TRANSMITTED IN ANY FORM OR BY ANY MEANS, ELECTRONIC OR MECHANICAL, INCLUDING PHOTOCOPYING, RECORDING, OR BY ANY INFORMATION STORAGE AND RETRIEVAL SYSTEM, WITHOUT THE EXPRESS WRITTEN PERMISSION OF RENAISSANCE RESIDENTIAL DESIGN, INC. DIMENSIONS ARE SUBJECT TO CHANGE WITHOUT NOTICE. SQUARE FOOTAGE AND DIMENSIONS ARE ESTIMATED AND MAY VARY IN ACTUAL CONSTRUCTION. ACTUAL POSITION OF WALLS, DOORS, WINDOWS, AND OTHER FEATURES ARE TO BE DETERMINED BY THE ARTIST CONCEPTS. FLOOR PLANS AND ELEVATION DRAWINGS ARE THE PROPERTY OF RENAISSANCE RESIDENTIAL DESIGN, INC. AND ARE NOT TO BE REPRODUCED, COPIED, OR TRANSMITTED IN ANY FORM OR BY ANY MEANS, ELECTRONIC OR MECHANICAL, INCLUDING PHOTOCOPYING, RECORDING, OR BY ANY INFORMATION STORAGE AND RETRIEVAL SYSTEM, WITHOUT THE EXPRESS WRITTEN PERMISSION OF RENAISSANCE RESIDENTIAL DESIGN, INC. SEE NEW HOME SALES CONSULTANT FOR CURRENT DETAILS. COPYRIGHT © 2020 WESTAN HOMES



LEFT ELEVATION
SCALE: 1/8" = 1'-0"



REAR ELEVATION
SCALE: 1/8" = 1'-0"



RIGHT ELEVATION
SCALE: 1/8" = 1'-0"

WESTAN HOMES
CAROLINA COLLECTION
BRINKLEY

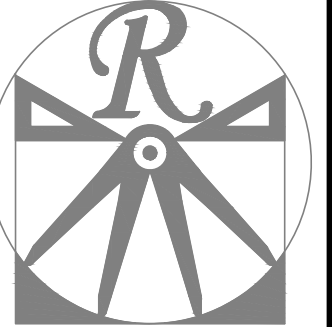
DATE: JUNE 22, 2021
REV.:
SCALE: 1/4" = 1'-0"
DRAWN BY: WG
ENGINEERED BY:
REVIEWED BY:

C - ELEVATIONS

A-3

SQUARE FOOTAGE (I.F.S.)

1st FLOOR:	136 SQ. FT.
2nd FLOOR:	1120 SQ. FT.
TOTAL:	1256 SQ. FT.
GARAGE:	448 SQ. FT.
FRONT PORCH:	84 SQ. FT.
STD. REAR PATIO:	100 SQ. FT.
OPT. REAR PORCH:	100 SQ. FT.
OPT. THIRD CAR GARAGE:	224 SQ. FT.



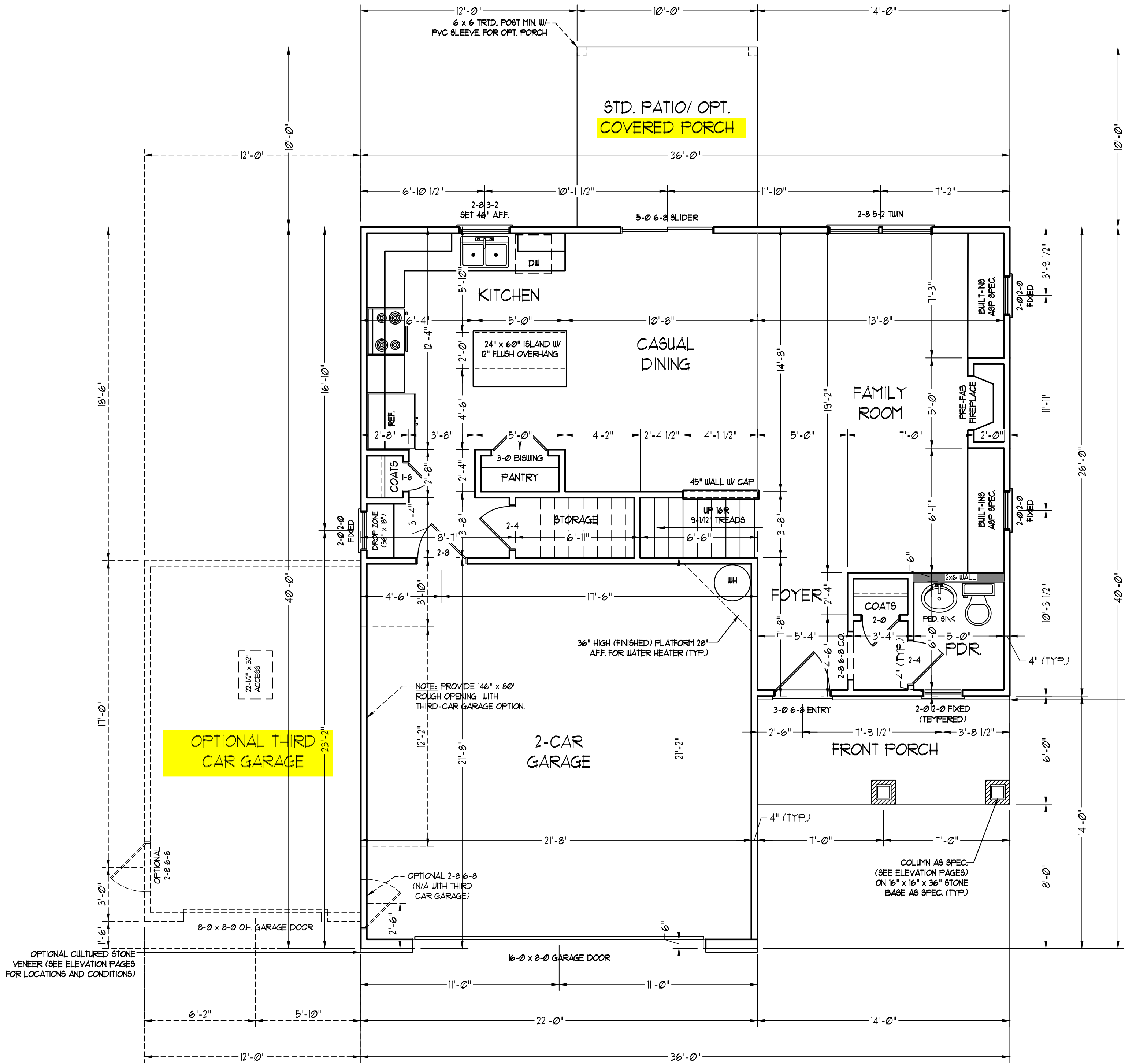
RENAISSANCE
RESIDENTIAL DESIGN, INC.
WILMINGTON, NC (919) 649-4128
WWW.RRDCAROLINA.COM

The art of transforming your vision into reality.

RENAISSANCE RESIDENTIAL DESIGN, INC. RESERVES THE RIGHT TO MAKE MODIFICATIONS TO FLOOR PLANS, DIMENSIONS, MATERIALS, AND SPECIFICATIONS WITHOUT NOTICE. THESE DRAWINGS ARE FOR THE PURPOSE OF CONVEYING AN ARCHITECTURAL CONCEPT ONLY.

RENAISSANCE RESIDENTIAL DESIGN, INC. HEREBY EXPRESSLY RESERVES ITS COMMON LAW COPYRIGHT AND OTHER PROPERTY RIGHTS IN THESE PLANS. THESE PLANS AND DRAWINGS ARE NOT TO BE REPRODUCED, CHANGED, OR COPIED IN ANY FORM OR MANNER WITHOUT FIRST OBTAINING THE EXPRESS WRITTEN CONSENT OF RENAISSANCE RESIDENTIAL DESIGN, INC. NOR ARE THEY TO BE ASSIGNED TO ANY THIRD PARTY WITHOUT FIRST OBTAINING SAID WRITTEN PERMISSION AND CONSENT.

PLEASE REMEMBER: THESE DRAWINGS, FLOOR PLANS, ELEVATIONS, INTERIORS, MATERIALS AND DIMENSIONS ARE SUBJECT TO CHANGE WITHOUT NOTICE. SQUARE FOOTAGE AND DIMENSIONS ARE ESTIMATED AND MAY VARY IN ACTUAL CONSTRUCTION. ACTUAL POSITION OF FLOOR PLAN, FLOOR PLANS AND ELEVATION DRAWINGS ARE ARTIST CONCEPTIONS. FLOOR PLANS ARE THE COPYRIGHTED PROPERTY OF WESTAN HOMES. ANY USE, REPRODUCTION, OR MODIFICATION OF THESE DRAWINGS IS PROHIBITED. SEE NEW HOME SALES CONSULTANT FOR CURRENT DETAILS. COPYRIGHT © 2020 WESTAN HOMES



OPTIONAL THIRD CAR GARAGE

STD. PATIO/ OPT. COVERED PORCH

OPTIONAL CULTURED STONE VENEER (SEE ELEVATION PAGES FOR LOCATIONS AND CONDITIONS)

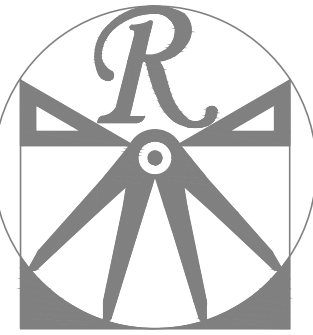
COLUMN AS SPEC. (SEE ELEVATION PAGES) ON 16\"/>

OPTIONAL CULTURED STONE VENEER (SEE ELEVATION PAGES FOR LOCATIONS AND CONDITIONS)

WESTAN HOMES
CAROLINA COLLECTION
BRINKLEY

DATE: JUNE 22, 2021
REV.:
SCALE: 1/4\"/>

FIRST FLOOR PLAN
A-4



RENAISSANCE

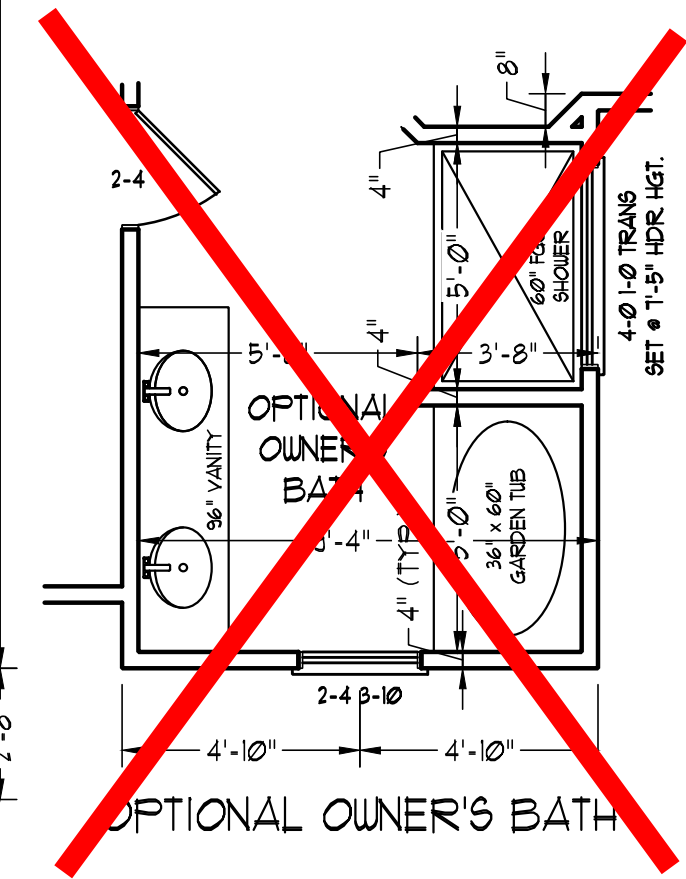
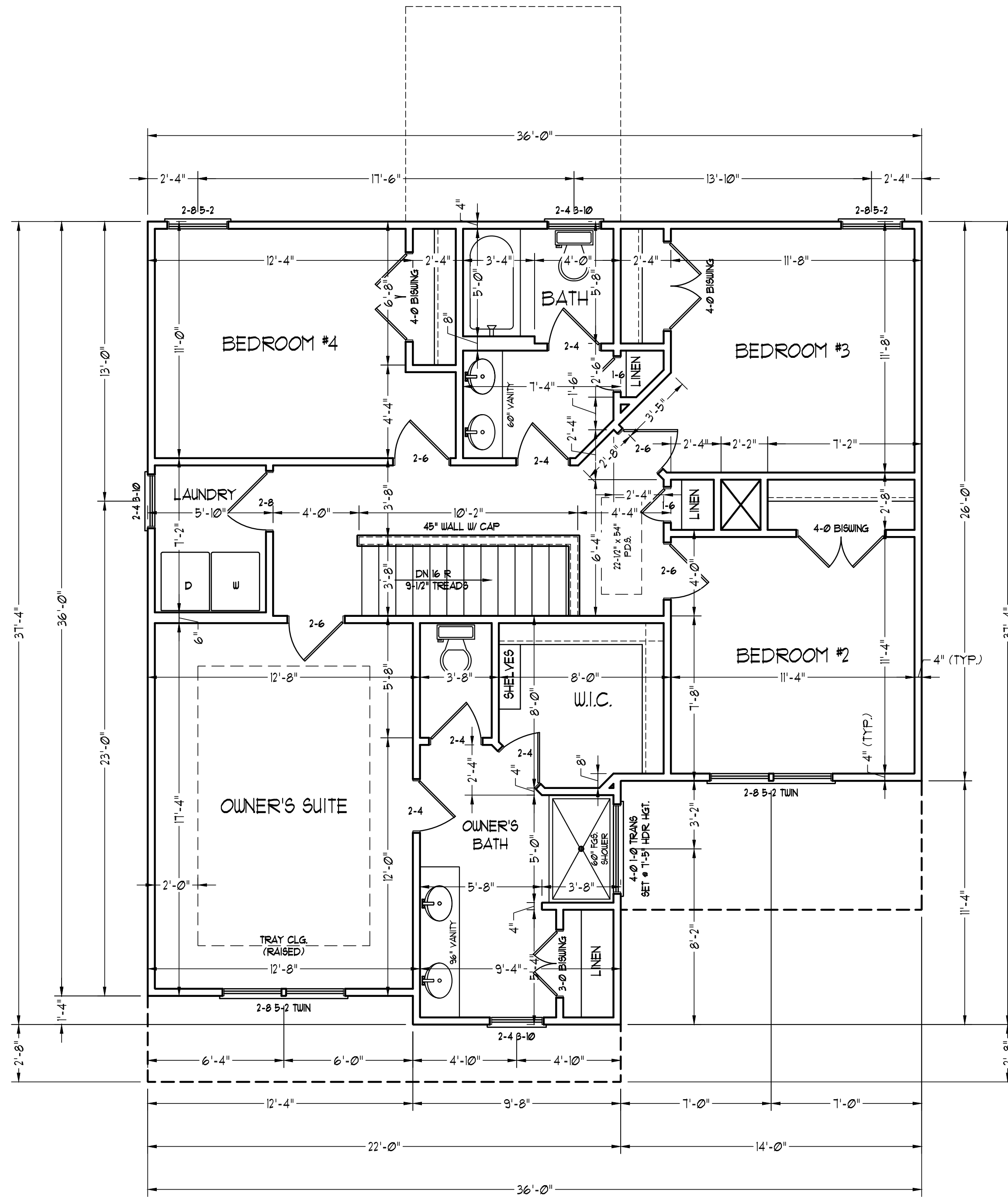
RESIDENTIAL DESIGN, INC.
WILMINGTON, NC (919) 649-4128
WWW.RRDCAROLINA.COM

The art of transforming your vision into reality.

RENAISSANCE RESIDENTIAL DESIGN, INC. RESERVES THE RIGHT TO MAKE MODIFICATIONS TO FLOOR PLANS, DIMENSIONS, MATERIALS, AND SPECIFICATIONS WITHOUT NOTICE. THESE DRAWINGS ARE FOR THE PURPOSE OF CONVEYING AN ARCHITECTURAL CONCEPT ONLY.

RENAISSANCE RESIDENTIAL DESIGN, INC. HEREBY EXPRESSLY RESERVES ITS COMMON LAW COPYRIGHT AND OTHER PROPERTY RIGHTS IN THESE PLANS. THESE PLANS AND DRAWINGS ARE NOT TO BE REPRODUCED, CHANGED, OR COPIED IN ANY FORM OR MANNER WITHOUT FIRST OBTAINING THE EXPRESS WRITTEN CONSENT OF RENAISSANCE RESIDENTIAL DESIGN, INC. NOR ARE THEY TO BE ASSIGNED TO ANY THIRD PARTY WITHOUT FIRST OBTAINING SAID WRITTEN PERMISSION AND CONSENT.

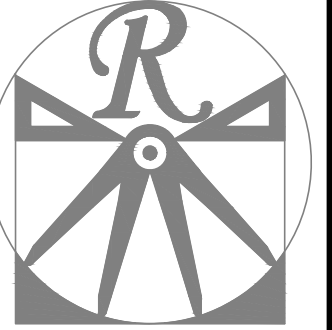
PLEASE REMEMBER: THESE DRAWINGS, INCLUDING FLOOR PLANS, ELEVATIONS, INTERIORS, MATERIALS AND DIMENSIONS ARE SUBJECT TO CHANGE WITHOUT NOTICE. SQUARE FOOTAGE AND DIMENSIONS ARE ESTIMATED AND MAY VARY IN ACTUAL CONSTRUCTION. ACTUAL POSITION OF FLOOR PLAN, FLOOR PLANS AND ELEVATION RENDERINGS ARE ARTIST CONCEPTIONS. FLOOR PLANS ARE THE COPYRIGHTED PROPERTY OF WESTAN HOMES. ANY USE, REPRODUCTION, OR MODIFICATION OF THESE DRAWINGS IS STRICTLY PROHIBITED. SEE NEW HOME SALES CONSULTANT FOR CURRENT DETAILS. COPYRIGHT © 2020 WESTAN HOMES



WESTAN HOMES
CAROLINA COLLECTION
BRINKLEY

DATE: JUNE 22, 2021
REV.:
SCALE: 1/4" = 1'-0"
DRAWN BY: WG
ENGINEERED BY:
REVIEWED BY:

SECOND FLOOR PLAN
A-5



RENAISSANCE
RESIDENTIAL DESIGN, INC.
WILMINGTON, NC (919) 649-4128
WWW.RRDCAROLINA.COM

The art of transforming your vision into reality.

RENAISSANCE RESIDENTIAL DESIGN, INC. RESERVES THE RIGHT TO MAKE MODIFICATIONS TO FLOOR PLANS, DIMENSIONS, MATERIALS, AND SPECIFICATIONS WITHOUT NOTICE. THESE DRAWINGS ARE FOR THE PURPOSE OF CONVEYING AN ARCHITECTURAL CONCEPT ONLY.

RENAISSANCE RESIDENTIAL DESIGN, INC. HEREBY EXPRESSLY RESERVES ITS COMMON LAW COPYRIGHT AND OTHER PROPERTY RIGHTS IN THESE PLANS. THESE PLANS AND DRAWINGS ARE NOT TO BE REPRODUCED, CHANGED, OR COPIED IN ANY FORM OR MANNER WITHOUT FIRST OBTAINING THE EXPRESS WRITTEN CONSENT OF RENAISSANCE RESIDENTIAL DESIGN, INC. NOR ARE THEY TO BE ASSIGNED TO ANY THIRD PARTY WITHOUT FIRST OBTAINING SAID WRITTEN PERMISSION AND CONSENT.

PLEASE REMEMBER: THESE ARE CONCEPT FLOOR PLANS. ELEVATIONS, MATERIALS, AND DIMENSIONS ARE SUBJECT TO CHANGE WITHOUT NOTICE. SQUARE FOOTAGE AND DIMENSIONS ARE ESTIMATED AND MAY VARY IN ACTUAL CONSTRUCTION. ACTUAL POSITION OF FLOOR PLAN, FLOOR PLANS AND ELEVATION RENDERINGS ARE ARTIST CONCEPTIONS. FLOOR PLANS ARE THE COPYRIGHTED PROPERTY OF WESTAN HOMES. ANY USE, REPRODUCTION, OR DISTRIBUTION OF THESE PLANS IS PROHIBITED. SEE NEW HOME SALES CONSULTANT FOR CURRENT DETAILS. COPYRIGHT © 2020 WESTAN HOMES

WESTAN HOMES
CAROLINA COLLECTION
BRINKLEY

DATE: JUNE 22, 2021
REV.:
SCALE: 1/4" = 1'-0"
DRAWN BY: WG
ENGINEERED BY:
REVIEWED BY:

FIRST FLOOR
ELECTRICAL
PLAN

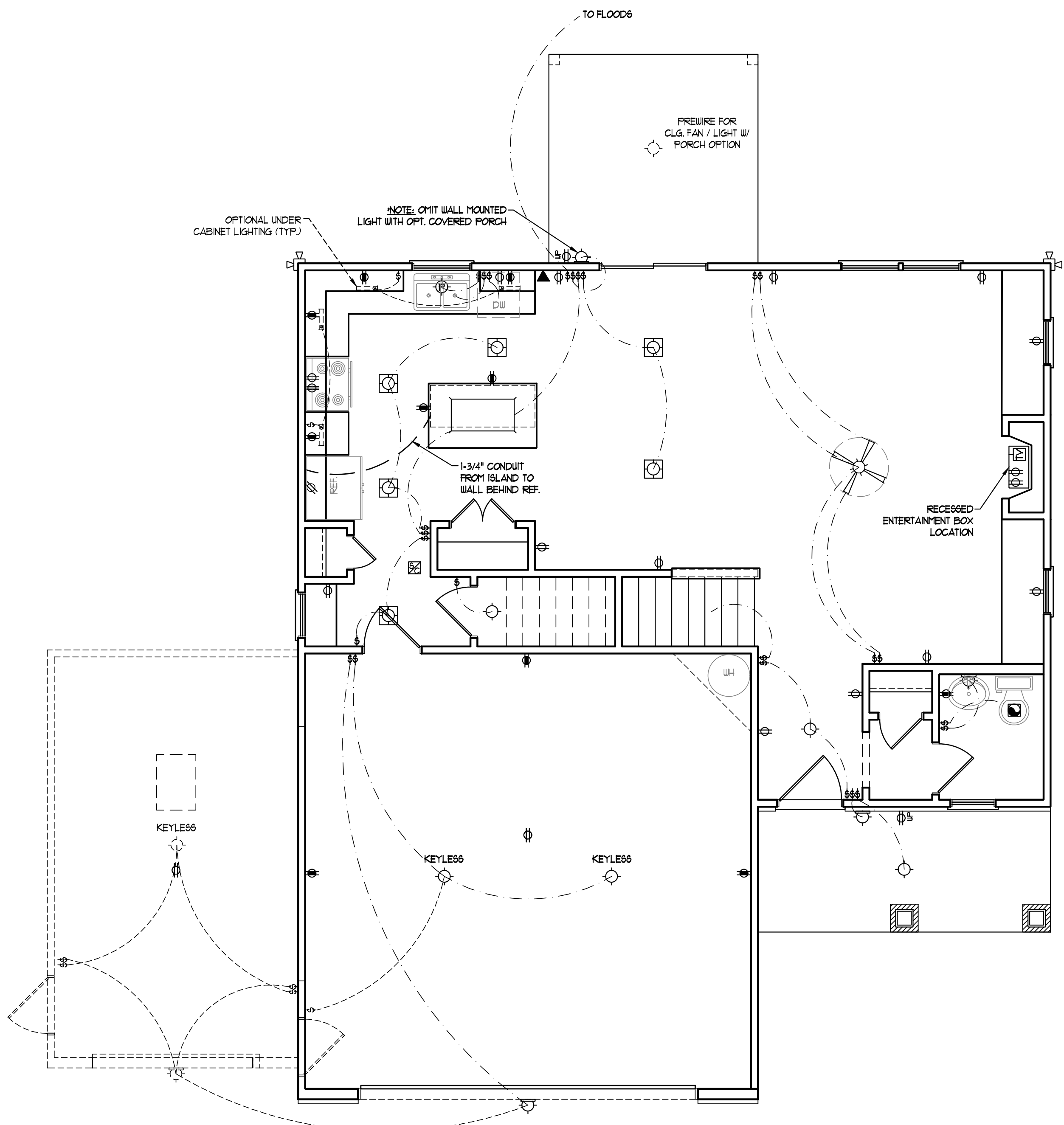
E-1

ELECTRICAL LAYOUT NOTES:

- 1) BLOCK AND WIRE FOR ALL CEILING FANS PER PLAN.
- 2) VANITY LIGHTS TO BE SET @ 30" AFF. (TYP.)
- 3) ADDITIONAL EXTERIOR OUTLETS REQUIRED BY CODE TO BE LOCATED BY ELECTRICIAN.
- 4) PLACE SWITCHES 8" (MIN) FROM ROUGH OPENINGS.

ELECTRICAL LEGEND

- 110 V OUTLET
- 110 V GFI OUTLET
- 110 V SWITCHED OUTLET
- 110 V BASEBOARD OUTLET
- 4-FLEX
- COUNTER OR FLOOR MOUNTED
- COUNTER OR FLOOR MOUNTED 110V GFI
- WEATHERPROOF
- 220 V OUTLET
- 110 V DEDICATED CIRCUIT
- 220 V DEDICATED CIRCUIT
- SPECIAL PURPOSE (240 V, ETC.)
- WALL MOUNT LIGHT
- CEILING MOUNT LIGHT
- PENDANT LIGHT
- RECESSED CAN LIGHT
- MINI CAN LIGHT
- EYEBALL LIGHT
- FLUORESCENT LIGHT
- UNDERCABINET LIGHT
- FLOOD LIGHT
- SWITCH
- DIMMER SWITCH
- TELEPHONE
- DATA
- TELEPHONE AND DATA
- TV CONNECTION
- TV/ DATA
- CONDUIT FOR COMPONENT WIRING
- SPEAKER
- 110 V SMOKE/ CM DETECTOR
- 110 V SMOKE DETECTOR
- EXHAUST FAN
- LVP LOW VOLTAGE PANEL
- ALARM PANEL
- CEILING FAN
- CEILING FAN W/ LIGHT





RENAISSANCE
RESIDENTIAL DESIGN, INC.
WILMINGTON, NC (919) 649-4128
WWW.RRDCAROLINA.COM

The art of transforming your vision into reality.

RENAISSANCE RESIDENTIAL DESIGN, INC. RESERVES THE RIGHT TO MAKE MODIFICATIONS TO FLOOR PLANS, DIMENSIONS, MATERIALS, AND SPECIFICATIONS WITHOUT NOTICE. THESE DRAWINGS ARE FOR THE PURPOSE OF CONVEYING AN ARCHITECTURAL CONCEPT ONLY.

RENAISSANCE RESIDENTIAL DESIGN, INC. HEREBY EXPRESSLY RESERVES ITS COMMON LAW COPYRIGHT AND OTHER PROPERTY RIGHTS IN THESE PLANS. THESE PLANS AND DRAWINGS ARE NOT TO BE REPRODUCED, CHANGED, OR COPIED IN ANY FORM OR MANNER WITHOUT FIRST OBTAINING THE EXPRESS WRITTEN CONSENT OF RENAISSANCE RESIDENTIAL DESIGN, INC. NOR ARE THEY TO BE ASSIGNED TO ANY THIRD PARTY WITHOUT FIRST OBTAINING SAID WRITTEN PERMISSION AND CONSENT.

PLEASE REMEMBER: THESE PLANS, ELEVATIONS, INTERIORS, MATERIALS AND DIMENSIONS ARE SUBJECT TO CHANGE WITHOUT NOTICE. SQUARE FOOTAGE AND DIMENSIONS ARE ESTIMATED AND MAY VARY IN ACTUAL CONSTRUCTION. ACTUAL POSITION OF FLOOR PLAN, FLOOR PLANS AND ELEVATION RENDERINGS ARE ARTIST CONCEPTIONS. FLOOR PLANS ARE THE COPYRIGHTED PROPERTY OF WESTAN HOMES. ANY USE, REPRODUCTION, OR MODIFICATION OF THESE PLANS IS STRICTLY PROHIBITED. SEE NEW HOMES SALES CONSULTANT FOR CURRENT DETAILS. COPYRIGHT © 2020 WESTAN HOMES

WESTAN HOMES
CAROLINA COLLECTION
BRINKLEY

DATE: JUNE 22, 2021
REV.:
SCALE: 1/4" = 1'-0"
DRAWN BY: WG
ENGINEERED BY:
REVIEWED BY:
SECOND FLOOR
ELECTRICAL
PLAN

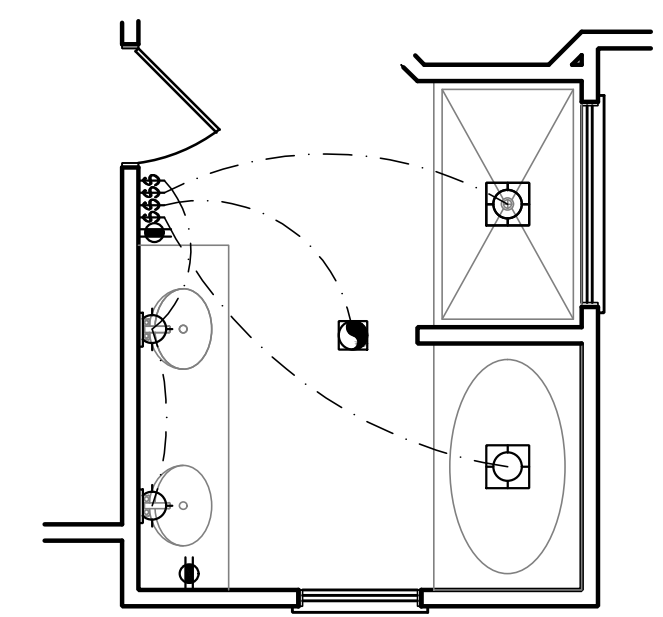
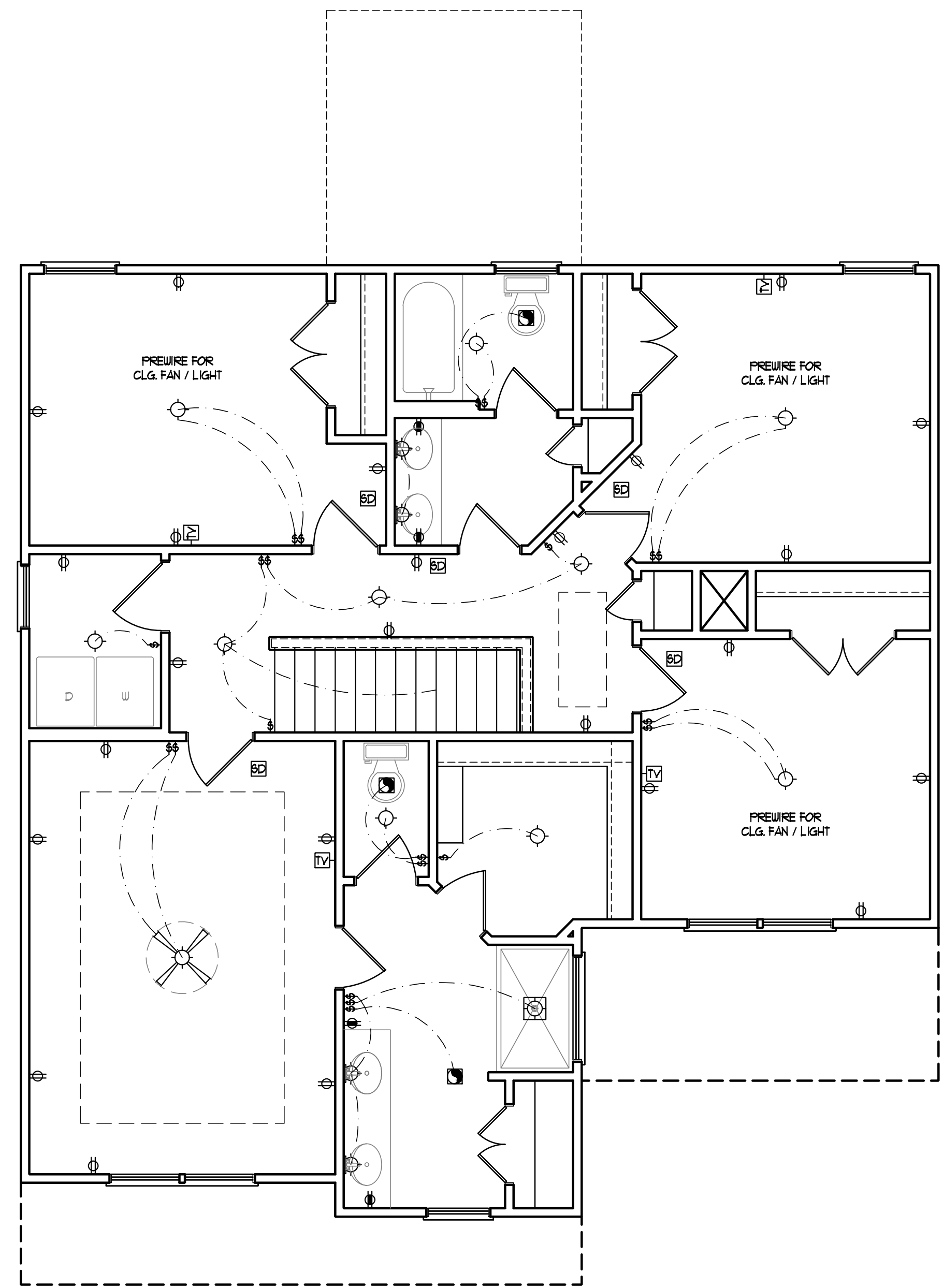
E-2

ELECTRICAL LAYOUT NOTES:

- 1) BLOCK AND WIRE FOR ALL CEILING FANS PER PLAN.
- 2) VANITY LIGHTS TO BE SET @ 30" AFF. (TYP.)
- 3) ADDITIONAL EXTERIOR OUTLETS REQUIRED BY CODE TO BE LOCATED BY ELECTRICIAN.
- 4) PLACE SWITCHES 8" (MIN) FROM ROUGH OPENINGS.

ELECTRICAL LEGEND

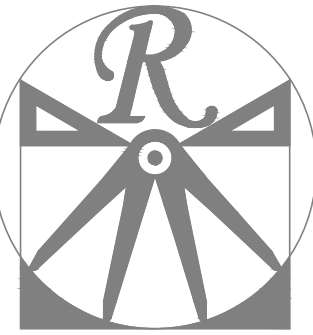
- ⊕ 110 V OUTLET
- ⊕ 110 V GFI OUTLET
- ⊕ 110 V SWITCHED OUTLET
- ⊕ 110 V BASEBOARD OUTLET
- ⊕ 4-FLEX
- ⊕ COUNTER OR FLOOR MOUNTED
- ⊕ COUNTER OR FLOOR MOUNTED 110V GFI
- ⊕ WEATHERPROOF
- ⊕ 220 V OUTLET
- ⊕ 110 V DEDICATED CIRCUIT
- ⊕ 220 V DEDICATED CIRCUIT
- ⊕ SPECIAL PURPOSE (240 V, ETC.)
- ⊕ WALL MOUNT LIGHT
- ⊕ CEILING MOUNT LIGHT
- ⊕ PENDANT LIGHT
- ⊕ RECESSED CAN LIGHT
- ⊕ MINI CAN LIGHT
- ⊕ EYEBALL LIGHT
- ⊕ FLUORESCENT LIGHT
- ⊕ UNDERCABINET LIGHT
- ⊕ FLOOD LIGHT
- ⊕ SWITCH
- ⊕ DIMMER SWITCH
- ⊕ TELEPHONE
- ⊕ DATA
- ⊕ TELEPHONE AND DATA
- ⊕ TV CONNECTION
- ⊕ TV/ DATA
- ⊕ CONDUIT FOR COMPONENT WIRING
- ⊕ SPEAKER
- ⊕ 110 V SMOKE/ CO DETECTOR
- ⊕ 110 V SMOKE DETECTOR
- ⊕ EXHAUST FAN
- ⊕ LVP LOW VOLTAGE PANEL
- ⊕ ALARM PANEL
- ⊕ CEILING FAN
- ⊕ CEILING FAN W/ LIGHT



OPTIONAL OWNER'S BATH

ULTIMATE DESIGN WIND SPEED NOTES FOR LESS THAN 30' MEAN ROOF HEIGHT:

1. STRUCTURAL DESIGN PER NORTH CAROLINA RESIDENTIAL CODE, 2018 EDITION.
2. FOR 120 MPH WIND ZONES INSTALL 1/2" ANCHOR BOLTS 6'-0" O.C. AND WITHIN 1'-0" FROM END OF EACH CORNER. ANCHOR BOLTS MUST EXTEND A MINIMUM OF 7" INTO CONCRETE OR 15" INTO MASONRY. LOCATE BOLT WITHIN MIDDLE THIRD OF PLATE WIDTH.
3. FOR 130 MPH WIND ZONES INSTALL 1/2" ANCHOR BOLTS 4'-0" O.C. AND WITHIN 1'-0" FROM END OF EACH CORNER. ANCHOR BOLTS MUST EXTEND A MINIMUM OF 7" INTO CONCRETE OR 15" INTO MASONRY. LOCATE BOLT WITHIN MIDDLE THIRD OF PLATE WIDTH.
4. MEAN ROOF HEIGHT IS LESS THAN 30 FEET.
5. EXTERIOR WALLS DESIGNED FOR 120 OR 130 MPH WINDS.
6. INSTALL 7/16" OSB SHEATHING ON ALL EXTERIOR WALLS OF ALL STORIES IN ACCORDANCE WITH SECTION R602.10.3 OF THE NRCR, 2018 EDITION.
7. ENERGY EFFICIENCY COMPLIANCE AND INSULATION VALUES OF THE BUILDING TO BE IN ACCORDANCE WITH CHAPTER 11 OF THE NRCR, 2018 EDITION.



RENAISSANCE
RESIDENTIAL DESIGN, INC.

WILMINGTON, NC (919) 649-4128
WWW.RRDCAROLINA.COM

The art of transforming your vision into reality.

RENAISSANCE RESIDENTIAL DESIGN, INC. HEREBY EXPRESSLY RESERVES ITS COMMON LAW COPYRIGHT AND OTHER PROPERTY RIGHTS IN THESE PLANS. THESE PLANS AND DRAWINGS ARE NOT TO BE REPRODUCED, CHANGED, OR COPIED IN ANY FORM OR MANNER WITHOUT FIRST OBTAINING THE EXPRESS WRITTEN CONSENT OF RENAISSANCE RESIDENTIAL DESIGN, INC. NOR ARE THEY TO BE ASSIGNED TO ANY THIRD PARTY WITHOUT FIRST OBTAINING SAID WRITTEN PERMISSION AND CONSENT.

RENAISSANCE RESIDENTIAL DESIGN, INC. HEREBY EXPRESSLY RESERVES ITS COMMON LAW COPYRIGHT AND OTHER PROPERTY RIGHTS IN THESE PLANS. THESE PLANS AND DRAWINGS ARE NOT TO BE REPRODUCED, CHANGED, OR COPIED IN ANY FORM OR MANNER WITHOUT FIRST OBTAINING THE EXPRESS WRITTEN CONSENT OF RENAISSANCE RESIDENTIAL DESIGN, INC. NOR ARE THEY TO BE ASSIGNED TO ANY THIRD PARTY WITHOUT FIRST OBTAINING SAID WRITTEN PERMISSION AND CONSENT.

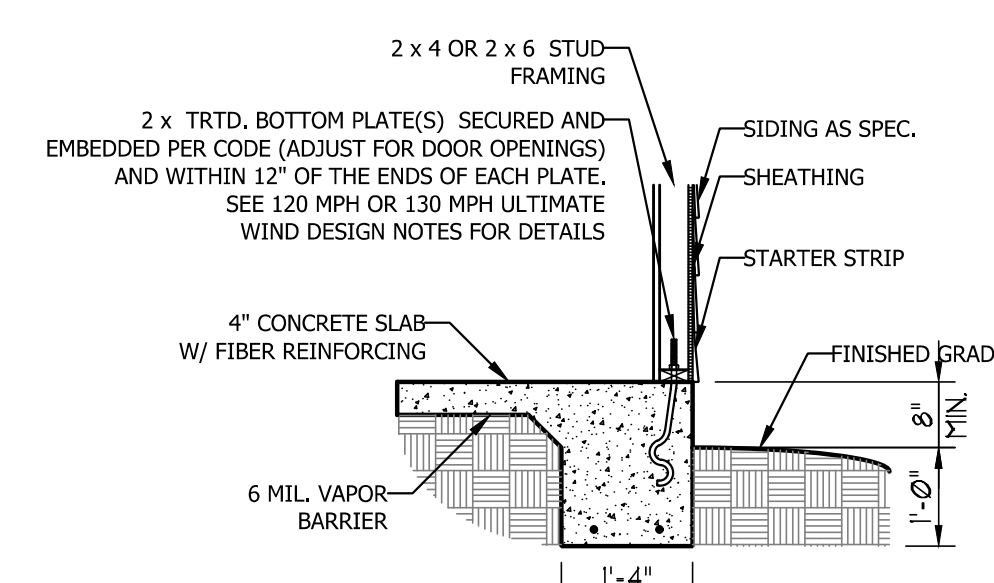
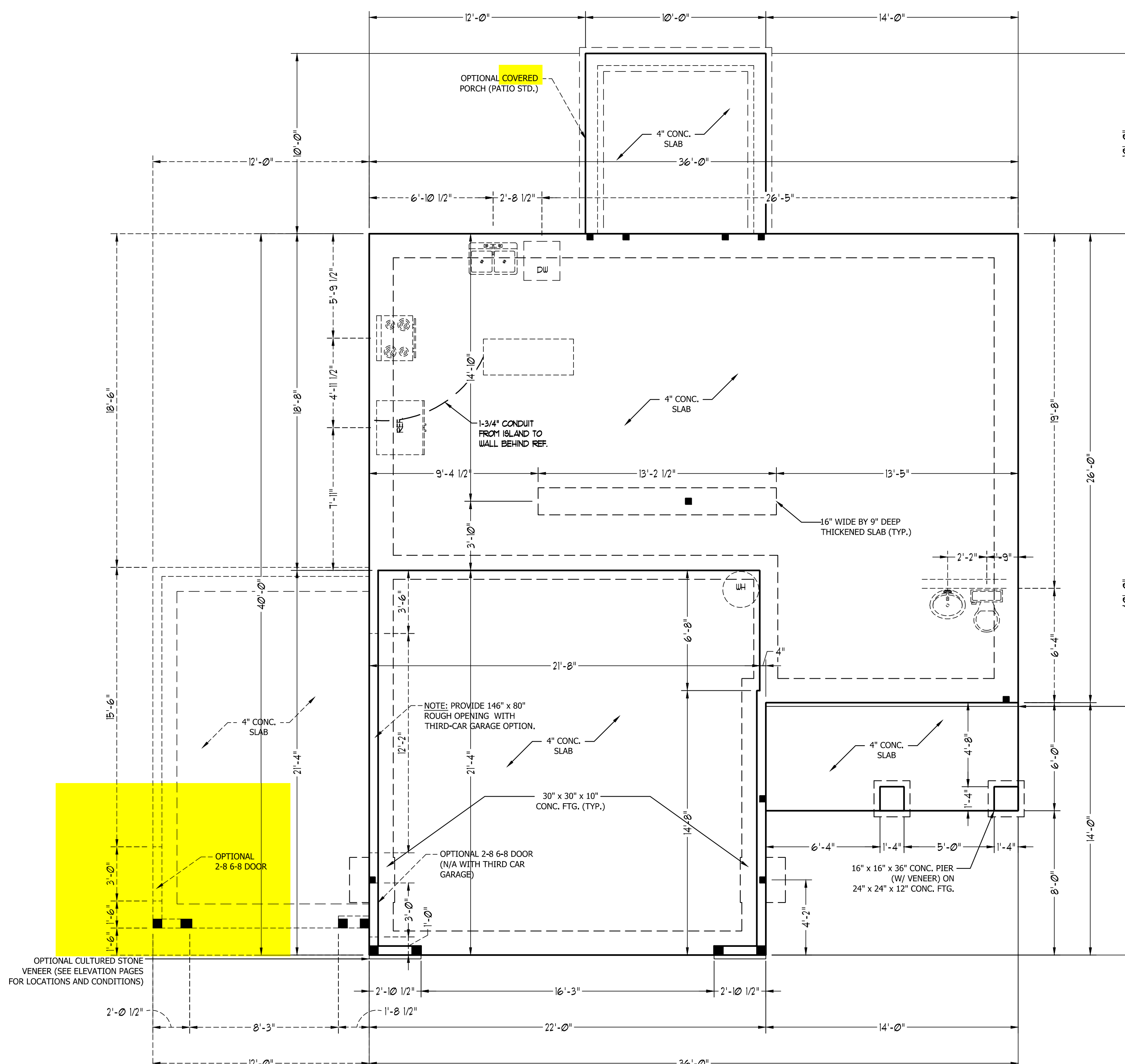
PLEASE REMEMBER: THESE PLANS, ELEVATIONS, AND DIMENSIONS ARE SUBJECT TO CHANGE WITHOUT NOTICE. SQUARE FOOTAGE AND DIMENSIONS ARE ESTIMATED AND MAY VARY IN ACTUAL CONSTRUCTION. ACTUAL POSITION OF FLOOR PLAN, FLOOR PLANS AND ELEVATION RENDERINGS ARE ARTIST CONCEPTIONS. FLOOR PLANS ARE THE COPYRIGHTED PROPERTY OF WESTAN HOMES. ANY USE, REPRODUCTION, OR MODIFICATION OF THESE PLANS IS PROHIBITED. SEE NEW HOME SALES CONSULTANT FOR CURRENT DETAILS. COPYRIGHT © 2020 WESTAN HOMES

WESTAN HOMES
CAROLINA COLLECTION
BRINKLEY

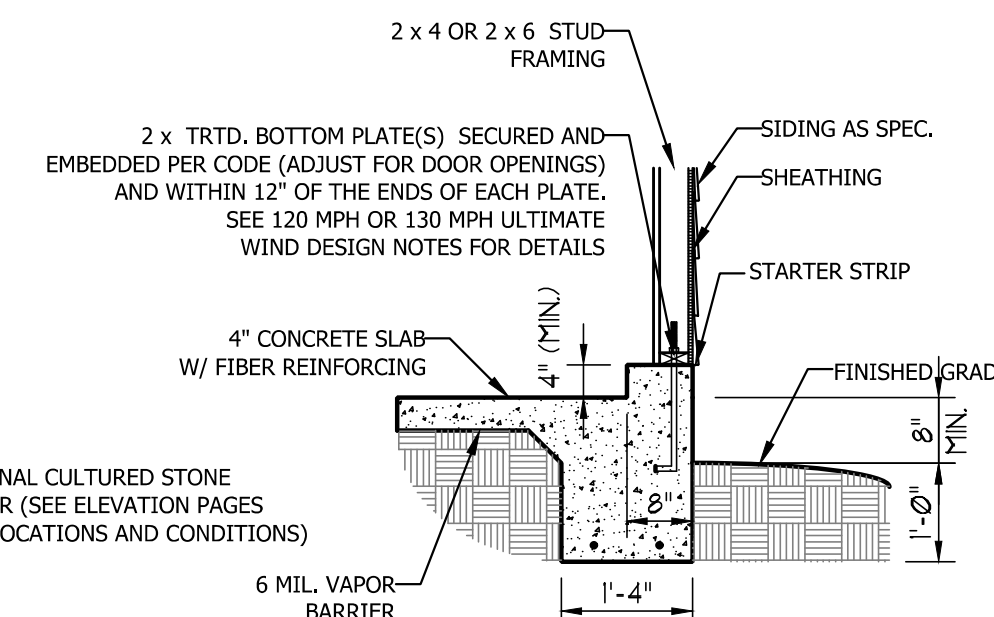
DATE: JUNE 22, 2021
REV.:
SCALE: 1/4" = 1'-0"
DRAWN BY: WG
ENGINEERED BY:
REVIEWED BY:

MONO SLAB
FOUNDATION
PLAN

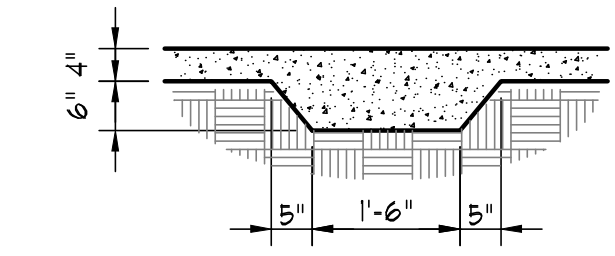
S-1



TYPICAL SLAB DETAIL



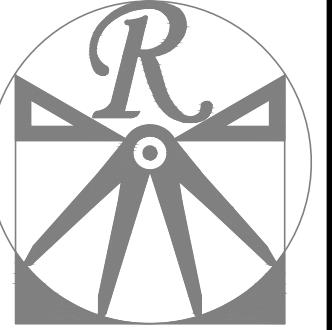
GARAGE CURB DETAIL



THICKENED SLAB DETAIL

OPTIONAL CULTURED STONE VENEER (SEE ELEVATION PAGES FOR LOCATIONS AND CONDITIONS)

OPTIONAL CULTURED STONE VENEER (SEE ELEVATION PAGES FOR LOCATIONS AND CONDITIONS)



RENAISSANCE
RESIDENTIAL DESIGN, INC.
WILMINGTON, NC (919) 649-4128
WWW.RRDCAROLINA.COM
The art of transforming your vision into reality.

RENAISSANCE RESIDENTIAL DESIGN, INC. RESERVES THE RIGHT TO MAKE MODIFICATIONS TO FLOOR PLANS, DIMENSIONS, MATERIALS, AND SPECIFICATIONS WITHOUT NOTICE. THESE DRAWINGS ARE FOR THE PURPOSE OF CONVEYING AN ARCHITECTURAL CONCEPT ONLY.

RENAISSANCE RESIDENTIAL DESIGN, INC. HEREBY EXPRESSLY RESERVES ITS COMMON LAW COPYRIGHT AND OTHER PROPERTY RIGHTS IN THESE PLANS. THESE PLANS AND DRAWINGS ARE NOT TO BE REPRODUCED, CHANGED, OR COPIED IN ANY FORM OR MANNER WITHOUT FIRST OBTAINING THE EXPRESS WRITTEN CONSENT OF RENAISSANCE RESIDENTIAL DESIGN, INC. NOR ARE THEY TO BE ASSIGNED TO ANY THIRD PARTY WITHOUT FIRST OBTAINING SAID WRITTEN PERMISSION AND CONSENT.

WALL HEIGHT (FEET)	MASONRY WALL TYPE			
	8" CMU	4" BRICK AND 4" CMU	4" BRICK AND 8" CMU	12" CMU
2' OR LESS	UNGROUTED	GROUT SOLID	UNGROUTED	UNGROUTED
3'	UNGROUTED	GROUT SOLID	UNGROUTED	UNGROUTED
4'	GROUT SOLID	GROUT SOLID w/ #4 REBAR @ 48" O.C.	GROUT SOLID	GROUT SOLID w/ #4 REBAR @ 64" O.C.
5'	GROUT SOLID w/ #4 REBAR @ 36" O.C.	N/A	GROUT SOLID w/ #4 REBAR @ 36" O.C.	GROUT SOLID w/ #4 REBAR @ 64" O.C.
6'	GROUT SOLID w/ #4 REBAR @ 24" O.C.	N/A	GROUT SOLID w/ #4 REBAR @ 24" O.C.	GROUT SOLID w/ #4 REBAR @ 64" O.C.
7' OR MORE	ENGINEERED BASED ON SITE CONDITIONS			

STRUCTURAL NOTES:

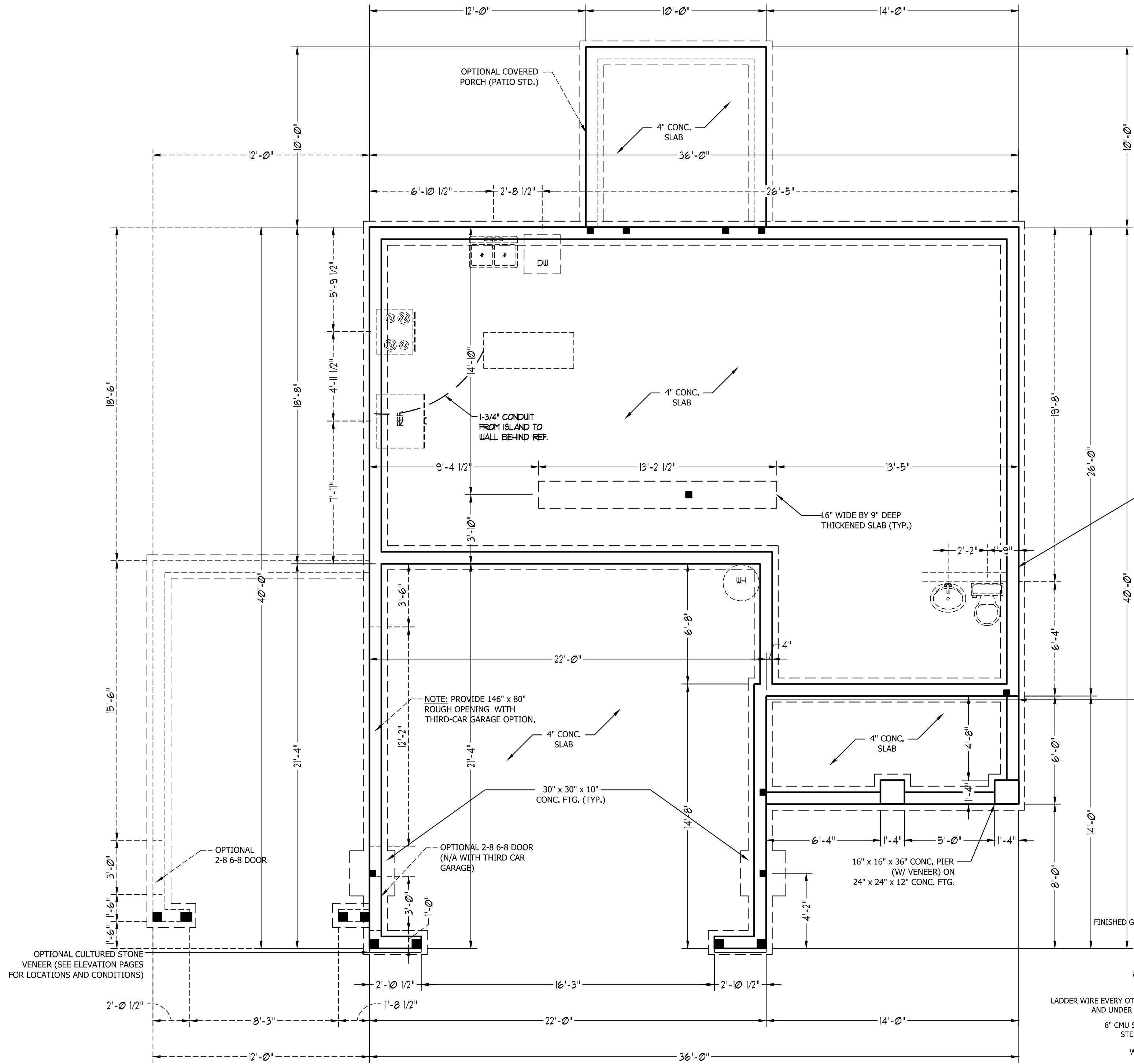
- TABLE ABOVE APPLIES TO HOUSE FOUNDATION ONLY. TABLE DOES NOT APPLY TO GARAGE FOUNDATION NOT COMMON TO HOUSE.
- TIE MULTIPLE WYTHES TOGETHER WITH LADDER WIRE @ 16" O.C. VERTICALLY.
- WALL HGT. IS MEASURED FROM TOP OF FOOTING TO TOP OF WALL.
- PREP SLAB PER R506.2.1 AND R505.2.2 BASE AND EXCEPTION OF THE 2018 NCRC MINIMUM 24" LAP SPLICE LENGTH.
- BACKFILL OF CLEAN #57/ #67 WASHED STONE IS PERMITTED.
- BACKFILL OF WELL DRAINED SAND-GRAVEL MIXTURE SOILS (45 PSF/FT BELOW GRADE) CLASSIFIED AS GROUP 1 ACCORDING TO UNIFIED SOILS CLASSIFICATION SYSTEM IN ACCORDANCE WITH TABLE R405.1 OF THE 2018 NCRC ARE ALLOWABLE.
- LOCATE REBAR IN CENTER OF FOUNDATION WALL.
- WHERE REQUIRED, FILL BLOCK SOLID WITH TYPE "S" MORTAR OR 3000 PSI GROUT. USE OF "LOW LIFT GROUTING" METHOD REQUIRED WHEN FILLING WALLS WITH GROUT AT HEIGHTS OF 5' AND GREATER.

ULTIMATE DESIGN WIND SPEED NOTES FOR LESS THAN 30' MEAN ROOF HEIGHT:

- STRUCTURAL DESIGN PER NORTH CAROLINA RESIDENTIAL CODE, 2018 EDITION.
- FOR 120 MPH WIND ZONES INSTALL 1/2" ANCHOR BOLTS 6'-0" O.C. AND WITHIN 1'-0" FROM END OF EACH CORNER. ANCHOR BOLTS MUST EXTEND A MINIMUM OF 7" INTO CONCRETE OR 15" INTO MASONRY. LOCATE BOLT WITHIN MIDDLE THIRD OF PLATE WIDTH.
- FOR 130 MPH WIND ZONES INSTALL 1/2" ANCHOR BOLTS 4'-0" O.C. AND WITHIN 1'-0" FROM END OF EACH CORNER. ANCHOR BOLTS MUST EXTEND A MINIMUM OF 7" INTO CONCRETE OR 15" INTO MASONRY. LOCATE BOLT WITHIN MIDDLE THIRD OF PLATE WIDTH.
- MEAN ROOF HEIGHT IS LESS THAN 30 FEET.
- EXTERIOR WALLS DESIGNED FOR 120 OR 130 MPH WINDS.
- INSTALL 7/16" OSB SHEATHING ON ALL EXTERIOR WALLS OF ALL STORIES IN ACCORDANCE WITH SECTION R602.10.3 OF THE NCRC, 2018 EDITION.
- ENERGY EFFICIENCY COMPLIANCE AND INSULATION VALUES OF THE BUILDING TO BE IN ACCORDANCE WITH CHAPTER 11 OF THE NCRC, 2018 EDITION.

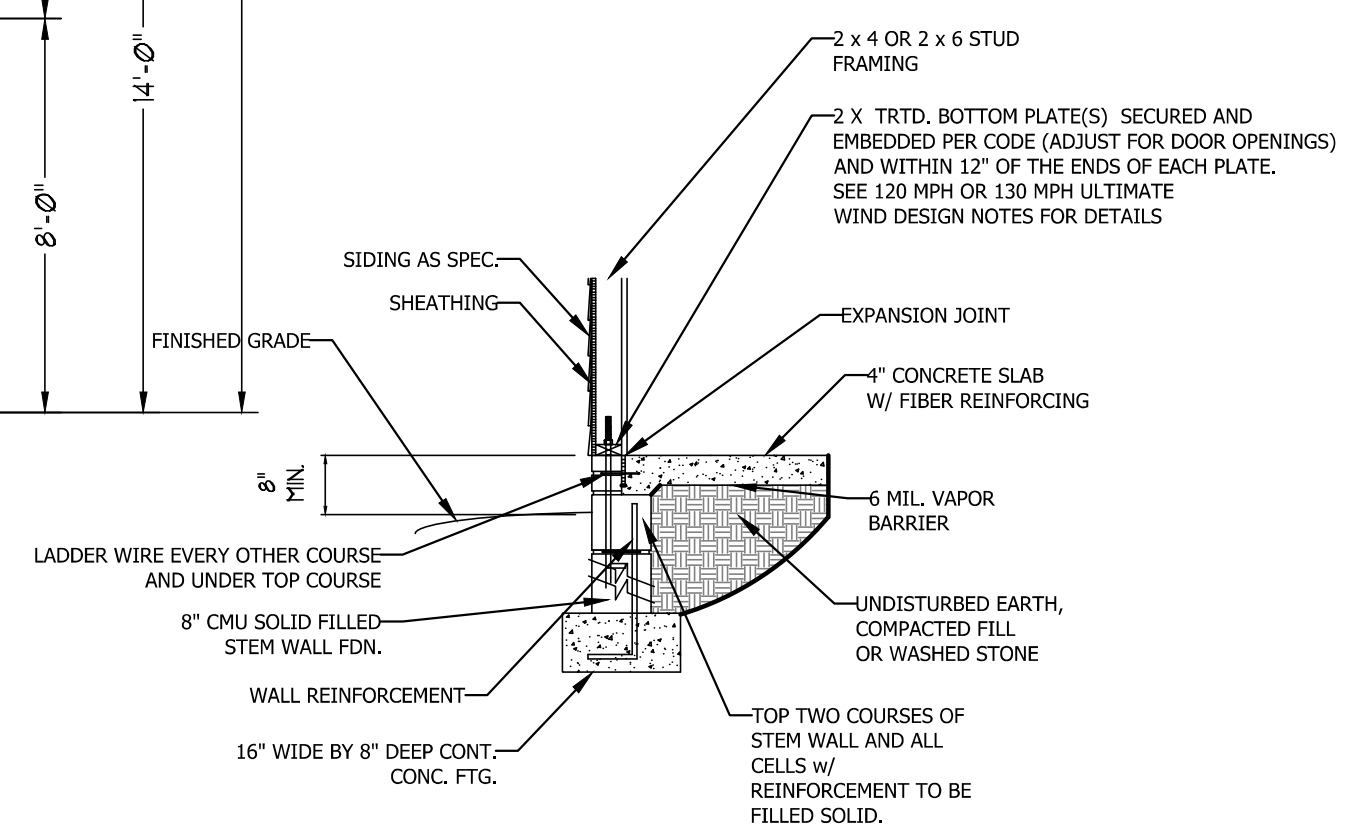
ANCHOR SPACING AND EMBEDMENT		
WIND ZONE	120 MPH	130 MPH
SPACING	6'-0" O.C.	4'-0" O.C.
EMBEDMENT	7"	7" INTO CONCRETE 15" INTO MASONRY

NOTE: HORIZONTAL FOOTING REBAR REQUIRED IN HIGH WIND ZONES ONLY (140-150 MPH)



8" FDN. ON 16" WIDE BY 8" DEEP CONT. CONC. FTG. (TYP.)

OPTIONAL CULTURED STONE VENEER (SEE ELEVATION PAGES FOR LOCATIONS AND CONDITIONS)



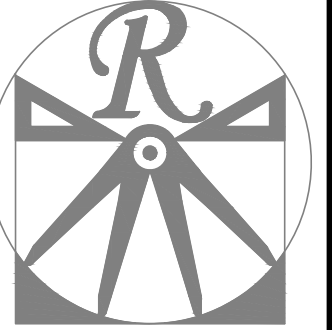
STEM WALL FDN. DETAIL

WESTAN HOMES
CAROLINA COLLECTION
BRINKLEY

DATE: JUNE 22, 2021
REV.:
SCALE: 1/4" = 1'-0"
DRAWN BY: WG
ENGINEERED BY:
REVIEWED BY:

STEM WALL SLAB FOUNDATION PLAN

S-1



RENAISSANCE
RESIDENTIAL DESIGN, INC.

WILMINGTON, NC (919) 649-4128
WWW.RRDCAROLINA.COM
The art of transforming your vision into reality.

RENAISSANCE RESIDENTIAL DESIGN, INC. RESERVES THE RIGHT TO MAKE MODIFICATIONS TO FLOOR PLANS, DIMENSIONS, MATERIALS, AND SPECIFICATIONS WITHOUT NOTICE. THESE DRAWINGS ARE FOR THE PURPOSE OF CONVEYING AN ARCHITECTURAL CONCEPT ONLY. RENAISSANCE RESIDENTIAL DESIGN, INC. HEREBY EXPRESSLY RESERVES ITS COMMON LAW COPYRIGHT AND OTHER PROPERTY RIGHTS IN THESE PLANS. THESE PLANS AND DRAWINGS ARE NOT TO BE REPRODUCED, CHANGED, OR COPIED IN ANY FORM OR MANNER WITHOUT FIRST OBTAINING THE EXPRESS WRITTEN CONSENT OF RENAISSANCE RESIDENTIAL DESIGN, INC. NOR ARE THEY TO BE ASSIGNED TO ANY THIRD PARTY WITHOUT FIRST OBTAINING SAID WRITTEN PERMISSION AND CONSENT.

PLEASE REMEMBER: MEASUREMENTS, DIMENSIONS, FINISHES, OPTIONS, FLOOR PLANS, ELEVATIONS, USER'S MATERIALS AND DIMENSIONS ARE SUBJECT TO CHANGE WITHOUT NOTICE. SQUARE FOOTAGE AND DIMENSIONS ARE ESTIMATED AND MAY VARY IN ACTUAL CONSTRUCTION. ACTUAL POSITION OF FLOOR PLAN, FLOOR PLANS AND ELEVATION RENDERINGS ARE ARTIST CONCEPTIONS. FLOOR PLANS ARE THE COPYRIGHTED PROPERTY OF WESTAN HOMES. ANY USE, REPRODUCTION, OR DISTRIBUTION OF THESE DRAWINGS IS STRICTLY PROHIBITED. SEE NEW HOME SALES CONSULTANT FOR CURRENT DETAILS. COPYRIGHT © 2020 WESTAN HOMES

WESTAN HOMES
CAROLINA COLLECTION
BRINKLEY

DATE: JUNE 22, 2021
REV.:
SCALE: 1/4" = 1'-0"
DRAWN BY: WG
ENGINEERED BY:
REVIEWED BY:

CRAWL
FOUNDATION
PLAN

S-1

STRUCTURAL NOTES:

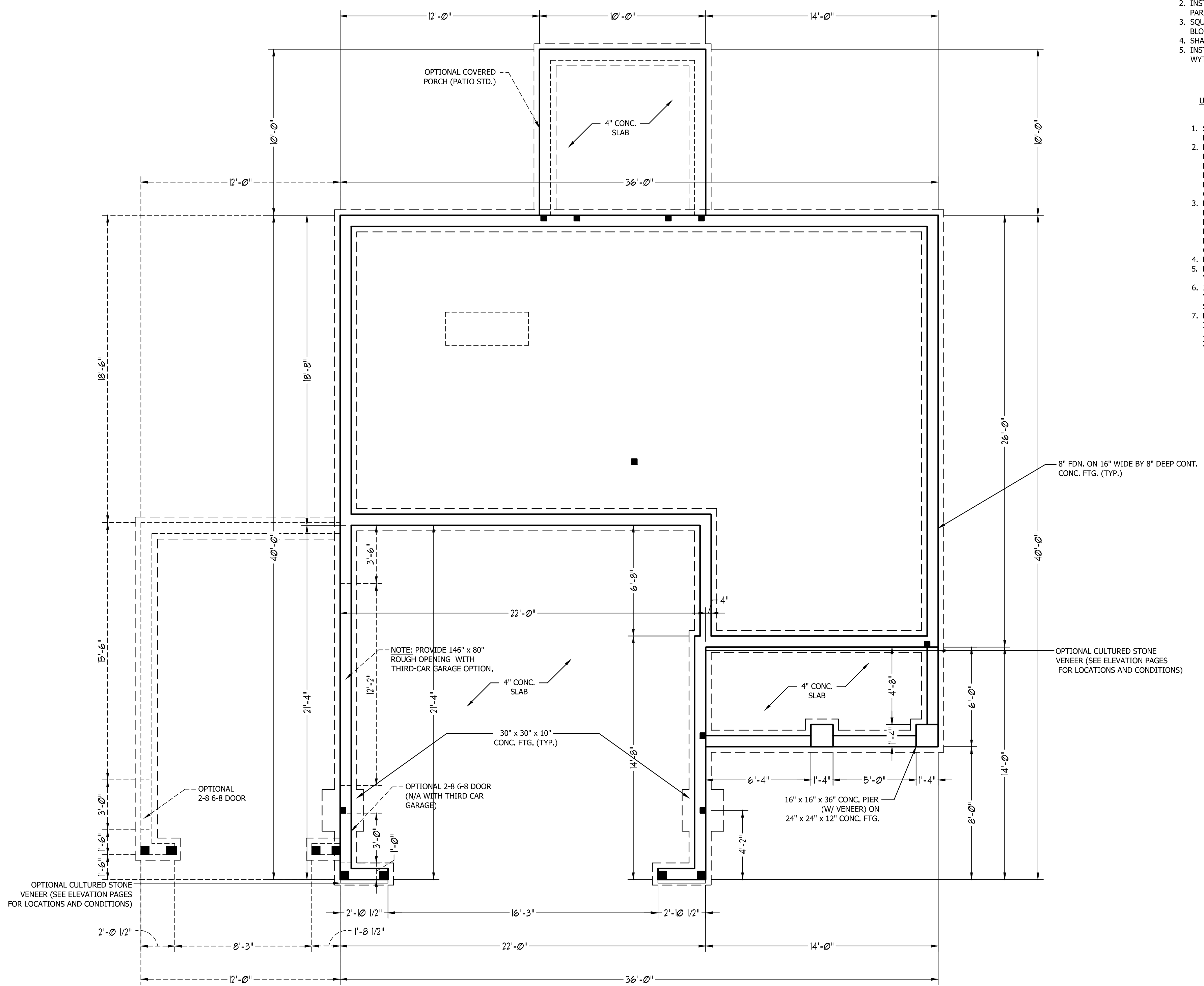
1. ALL FRAMING LUMBER TO BE #2 SPF (UNO), ALL TREATED LUMBER TO BE #2 SYP (UNO).
2. INSTALL AN EXTRA OR DOUBLE JOIST UNDER WALLS PARALLEL TO FLOOR JOISTS.
3. SQUARES REPRESENT POINT LOADS WHICH REQUIRE SOLID BLOCKING TO GIRDER OR FOUNDATION.
4. SHADED PIERS TO BE FILLED SOLID.
5. INSTALL LADDER WIRE @ 16" O.C. TO SECURE MULTIPLE WYTHE FOUNDATION WALLS TOGETHER.

ULTIMATE DESIGN WIND SPEED NOTES FOR LESS THAN 30' MEAN ROOF HEIGHT:

1. STRUCTURAL DESIGN PER NORTH CAROLINA RESIDENTIAL CODE, 2018 EDITION.
2. FOR 120 MPH WIND ZONES INSTALL 1/2" ANCHOR BOLTS 6'-0" O.C. AND WITHIN 1'-0" FROM END OF EACH CORNER. ANCHOR BOLTS MUST EXTEND A MINIMUM OF 7" INTO CONCRETE OR 15" INTO MASONRY. LOCATE BOLT WITHIN MIDDLE THIRD OF PLATE WIDTH.
3. FOR 130 MPH WIND ZONES INSTALL 1/2" ANCHOR BOLTS 4'-0" O.C. AND WITHIN 1'-0" FROM END OF EACH CORNER. ANCHOR BOLTS MUST EXTEND A MINIMUM OF 7" INTO CONCRETE OR 15" INTO MASONRY. LOCATE BOLT WITHIN MIDDLE THIRD OF PLATE WIDTH.
4. MEAN ROOF HEIGHT IS LESS THAN 30 FEET.
5. EXTERIOR WALLS DESIGNED FOR 120 OR 130 MPH WINDS.
6. INSTALL 7/16" OSB SHEATHING ON ALL EXTERIOR WALLS OF ALL STORIES IN ACCORDANCE WITH SECTION R602.10.3 OF THE NRC, 2018 EDITION.
7. ENERGY EFFICIENCY COMPLIANCE AND INSULATION VALUES OF THE BUILDING TO BE IN ACCORDANCE WITH CHAPTER 11 OF THE NRC, 2018 EDITION.

FOUNDATION VENTILATION CALCULATION

778 SQ. FT. OF CRAWL SPACE DIVIDED BY 1500 EQUALS 0.5 SQ. FT. OF NET FREE AREA REQUIRED. INSTALL 6 MIL POLY TO COVER ENTIRE CRAWL SPACE. LOCATE VENTS WITHIN 3'-0" OF EACH CORNER OF THE BUILDING TO PROVIDE CROSS-VENTILATION.





RENAISSANCE
RESIDENTIAL DESIGN, INC.

WILMINGTON, NC (919) 649-4128
WWW.RRDCAROLINA.COM

The art of transforming your vision into reality.

RENAISSANCE RESIDENTIAL DESIGN, INC. RESERVES THE RIGHT TO MAKE MODIFICATIONS TO FLOOR PLANS, DIMENSIONS, MATERIALS, AND SPECIFICATIONS WITHOUT NOTICE. THESE DRAWINGS ARE FOR THE PURPOSE OF CONVEYING AN ARCHITECTURAL CONCEPT ONLY.

RENAISSANCE RESIDENTIAL DESIGN, INC. HEREBY EXPRESSLY RESERVES ITS COMMON LAW COPYRIGHT AND OTHER PROPERTY RIGHTS IN THESE PLANS. THESE PLANS AND DRAWINGS ARE NOT TO BE REPRODUCED, CHANGED, OR COPIED IN ANY FORM OR MANNER WITHOUT FIRST OBTAINING THE EXPRESS WRITTEN CONSENT OF RENAISSANCE RESIDENTIAL DESIGN, INC. NOR ARE THEY TO BE ASSIGNED TO ANY THIRD PARTY WITHOUT FIRST OBTAINING SAID WRITTEN PERMISSION AND CONSENT.

PLEASE REMEMBER: THESE ARE CONCEPTUAL DRAWINGS. DIMENSIONS, MATERIALS, AND SPECIFICATIONS ARE SUBJECT TO CHANGE WITHOUT NOTICE. SQUARE FOOTAGE AND DIMENSIONS ARE ESTIMATED AND MAY VARY IN ACTUAL CONSTRUCTION. ACTUAL POSITION OF FLOOR PLAN, FLOOR PLANS AND ELEVATION RENDERINGS ARE ARTIST CONCEPTIONS. FLOOR PLANS ARE THE COPYRIGHTED PROPERTY OF WESTAN HOMES. ANY USE, REPRODUCTION, OR DISTRIBUTION OF THESE DRAWINGS WITHOUT THE WRITTEN PERMISSION OF WESTAN HOMES IS PROHIBITED. SEE NEW HOME SALES CONSULTANT FOR CURRENT DETAILS. COPYRIGHT © 2020 WESTAN HOMES

WESTAN HOMES
CAROLINA COLLECTION
BRINKLEY

DATE: JUNE 22, 2021
REV.:
SCALE: 1/4" = 1'-0"
DRAWN BY: WG
ENGINEERED BY:
REVIEWED BY:

SECOND FLOOR
FRAMING PLAN

S-2

STRUCTURAL NOTES:

1. ALL FRAMING LUMBER TO BE SPF #2 (UNO). ALL TREATED LUMBER TO BE SYP #2 (UNO).
2. ALL LOAD BEARING HEADERS TO BE (2) 2 x 4 (UNO).
3. INSTALL AN EXTRA JOIST UNDER WALLS PARALLEL TO FLOOR JOISTS
4. WINDOW AND DOOR HEADERS TO BE SUPPORTED W/ (1) JACK STUD AND (1) KING STUD EA. END (UNO.). SEE TABLE R602.7.5 FOR ADDITIONAL KING STUD REQUIREMENTS.
5. SQUARES DENOTE POINT LOADS WHICH REQUIRE SOLID BLOCKING TO GIRDER OR FOUNDATION. ALL SQUARES TO BE (2) STUDS (UNO.)
6. ALL 4 X 4 POSTS SHALL BE ANCHORED TO SLABS W/ SIMPSON ABU44 POST BASES (OR EQUAL) AND 6 X 6 POSTS W/ ABU66 POST BASES (OR EQUAL) (UNO). ALL 4 X 4 AND 6 X 6 POSTS TO BE INSTALLED WITH 700 LB CAPACITY UPLIFT CONNECTORS AT TOP (UNO.)
7. FOR FIBERGLASS, ALUMINUM, OR COLUMN ENG. BY OTHERS, SECURE TO SLAB W/ (2) METAL ANGLES USING 2" CONC. SCREWS. FASTEN ANGLES TO COLUMNS W/ 1/4" THROUGH BOLTS W/ NUTS AND WASHERS. LOCATE ANGLES ON OPPOSITE SIDES OF COLUMN. THROUGH BOLTS MUST BE INSTALLED PRIOR TO SETTING COLUMN.

BRACE WALL PANEL NOTES:

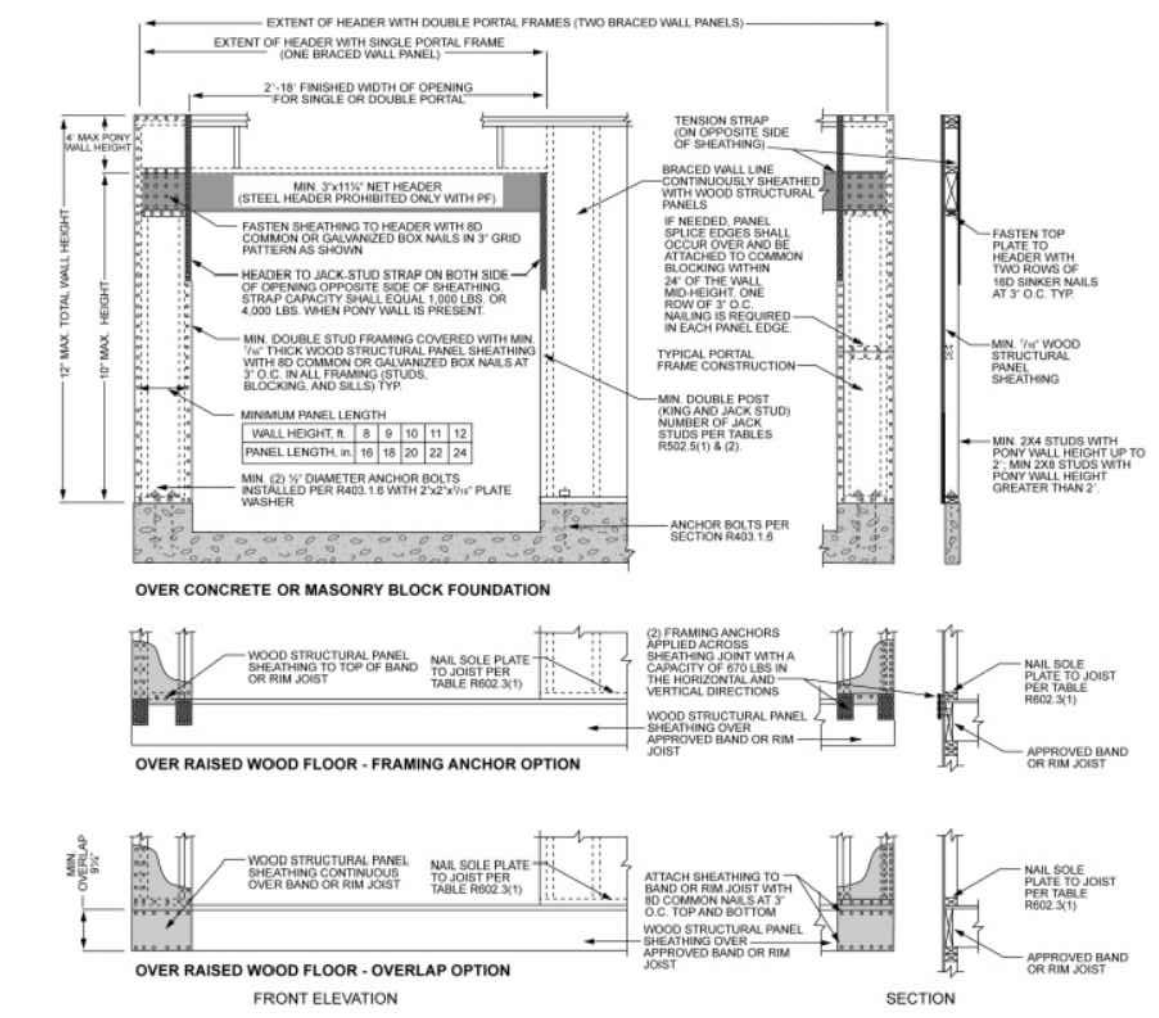
EXTERIOR WALLS: ALL EXTERIOR WALLS TO BE SHEATHED WITH CS-WSP OR CS-SFB IN ACCORDANCE WITH SECTION R602.10.3 UNLESS NOTED OTHERWISE.

REQUIRED LENGTH OF BRACING: REQUIRED BRACE WALL LENGTH FOR EACH SIDE OF THE CIRCUMSCRIBED RECTANGLE ARE INTERPOLATED PER TABLE R602.10.3. METHODS CS-WSP AND CS-SFB CONTRIBUTE THEIR ACTUAL LENGTH. METHOD GB CONTRIBUTES 0.5 ITS ACTUAL LENGTH. METHOD PF CONTRIBUTES 1.5 TIMES ITS ACTUAL LENGTH.

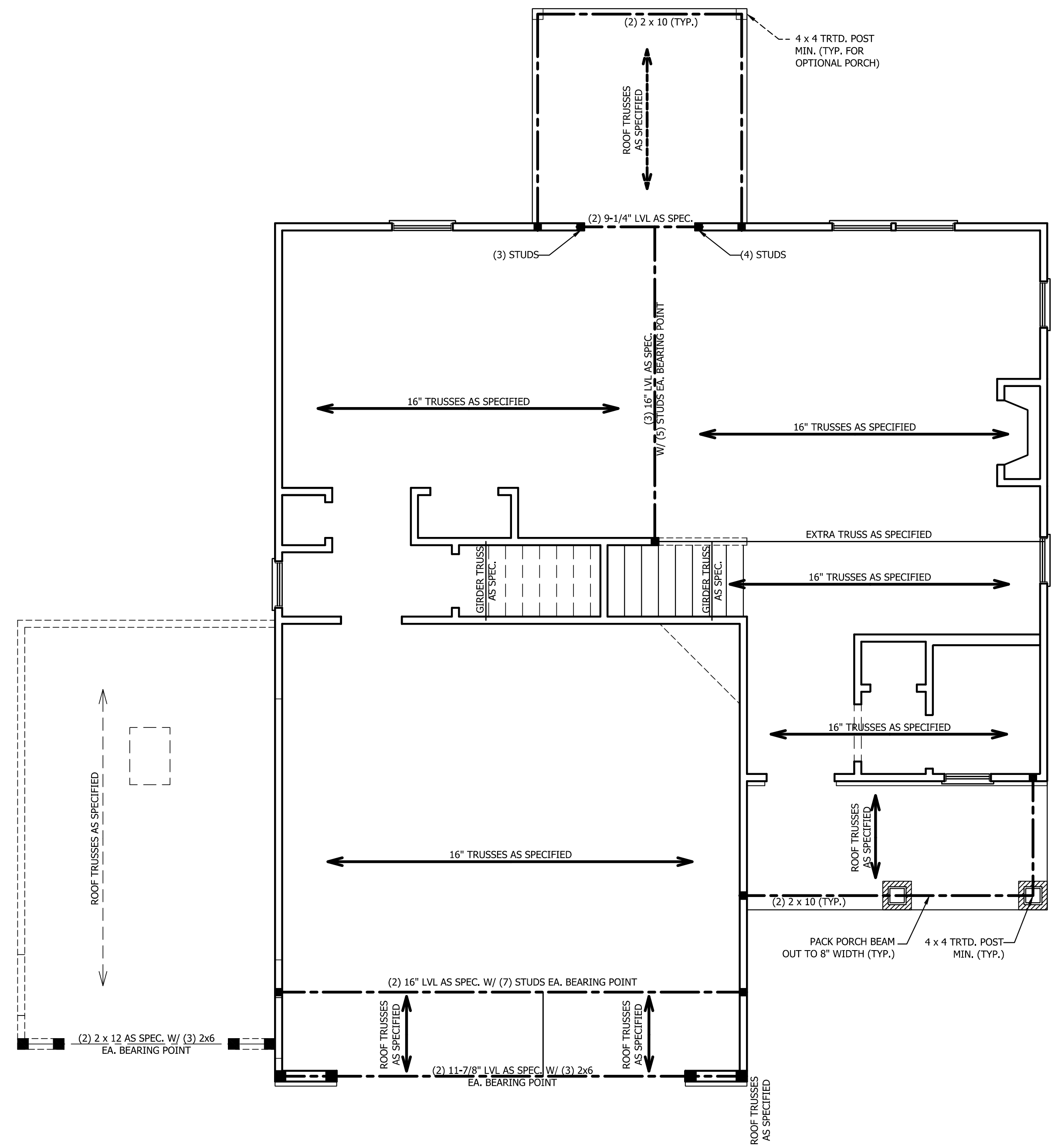
GYPSUM: ALL INTERIOR SIDES OF EXTERIOR WALLS AND BOTH SIDES OF INTERIOR WALLS TO HAVE 1/2" GYPSUM INSTALLED. WHEN NOT USING METHOD GB GYPSUM TO BE FASTENED PER TABLE R702.3.5. METHOD GB TO BE FASTENED PER TABLE R602.10.1.

HD: 800 LBS HOLD DOWN DEVICE FASTENED TO THE EDGE OF THE BRACE WALL PANEL NEAREST TO THE CORNER

METHODS: PER TABLE R602.10.1



1 inch = 25.4 mm, 1 foot = 305 mm, 1 lb = 4.45 N.





RENAISSANCE

RESIDENTIAL DESIGN, INC.
WILMINGTON, NC (919) 649-4128
WWW.RRDCAROLINA.COM

The art of transforming your vision into reality.

RENAISSANCE RESIDENTIAL DESIGN, INC. RESERVES THE RIGHT TO MAKE MODIFICATIONS TO FLOOR PLANS, DIMENSIONS, MATERIALS, AND SPECIFICATIONS WITHOUT NOTICE. THESE DRAWINGS ARE FOR THE PURPOSE OF CONVEYING AN ARCHITECTURAL CONCEPT ONLY.

RENAISSANCE RESIDENTIAL DESIGN, INC. HEREBY EXPRESSLY RESERVES ITS COMMON LAW COPYRIGHT AND OTHER PROPERTY RIGHTS IN THESE PLANS. THESE PLANS AND DRAWINGS ARE NOT TO BE REPRODUCED, CHANGED, OR COPIED IN ANY FORM OR MANNER WITHOUT FIRST OBTAINING THE EXPRESS WRITTEN CONSENT OF RENAISSANCE RESIDENTIAL DESIGN, INC. NOR ARE THEY TO BE ASSIGNED TO ANY THIRD PARTY WITHOUT FIRST OBTAINING SAID WRITTEN PERMISSION AND CONSENT.

THESE DRAWINGS, INCLUDING FEATURES, OPTIONS, FLOOR PLANS, ELEVATIONS, USINGS, MATERIALS AND DIMENSIONS ARE SUBJECT TO CHANGE WITHOUT NOTICE. SQUARE FOOTAGE AND DIMENSIONS ARE ESTIMATED AND MAY VARY IN ACTUAL CONSTRUCTION. ACTUAL POSITION OF WALLS, DOORS, WINDOWS, AND OTHER FEATURES ARE TO BE DETERMINED BY THE ARCHITECT'S FIELD SURVEY. THESE DRAWINGS ARE THE PROPERTY OF WESTAN HOMES. ANY USE, REPRODUCTION, OR MODIFICATION OF THESE DRAWINGS IS PROHIBITED. SEE NEW HOME SALES CONSULTANT FOR CURRENT DETAILS. COPYRIGHT © 2020 WESTAN HOMES

WESTAN HOMES
CAROLINA COLLECTION
BRINKLEY

DATE: JUNE 22, 2021
REV.:
SCALE: 1/4" = 1'-0"
DRAWN BY: WG
ENGINEERED BY:
REVIEWED BY:

ATTIC FLOOR
FRAMING PLAN

S-3

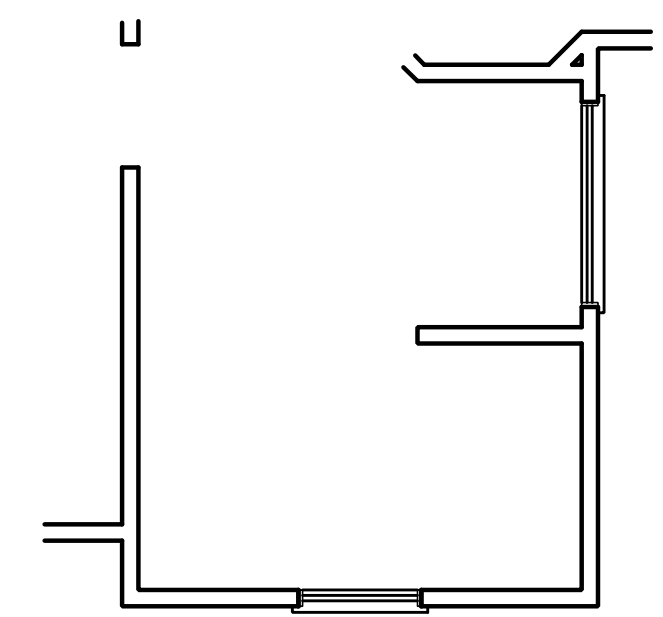
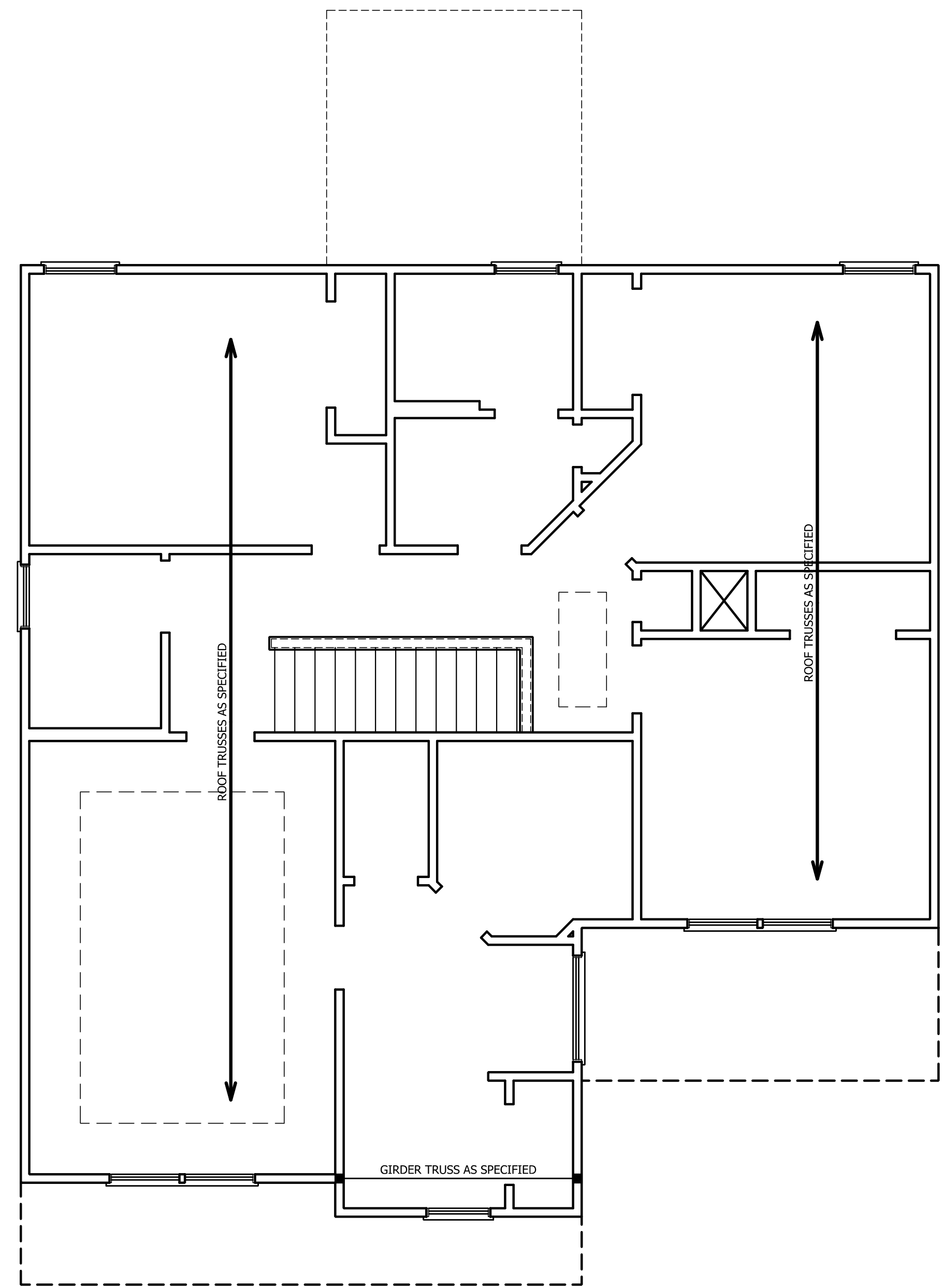
TABLE R602.7.5
MINIMUM NUMBER OF FULL HEIGHT STUDS
AT EACH END OF HEADERS IN EXTERIOR WALLS

HEADER SPAN (FEET)	MAXIMUM STUD SPACING (INCHES) (PER TABLE R602.3(5))	
	16	24
UP TO 3'	1	1
4'	2	1
8'	3	2
12'	5	3
16'	6	4

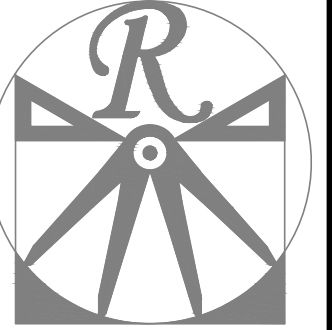
STRUCTURAL NOTES:

- ALL FRAMING LUMBER TO BE SPF #2 (UNO). ALL TREATED LUMBER TO BE SYP #2 (UNO.)
- ALL LOAD BEARING HEADERS TO BE (2) 2 x 6 (UNO).
- WINDOW AND DOOR HEADERS TO BE SUPPORTED w/ (1) JACK STUD AND (1) KING STUD EA. END (UNO.). SEE TABLE R602.7.5 FOR ADDITIONAL KING STUD REQUIREMENTS.
- SQUARES DENOTE POINT LOADS WHICH REQUIRE SOLID BLOCKING TO GIRDER OR FOUNDATION. ALL SQUARES TO BE (2) STUDS (UNO.)

DSP - DOUBLE STUD POCKET
TSP - TRIPLE STUD POCKET



OPTIONAL OWNER'S BATH



RENAISSANCE
RESIDENTIAL DESIGN, INC.

WILMINGTON, NC (919) 649-4128
WWW.RRDCAROLINA.COM

The art of transforming your vision into reality.

RENAISSANCE RESIDENTIAL DESIGN, INC. RESERVES THE RIGHT TO MAKE MODIFICATIONS TO FLOOR PLANS, DIMENSIONS, MATERIALS, AND SPECIFICATIONS WITHOUT NOTICE. THESE DRAWINGS ARE FOR THE PURPOSE OF CONVEYING AN ARCHITECTURAL CONCEPT ONLY.

RENAISSANCE RESIDENTIAL DESIGN, INC. HEREBY EXPRESSLY RESERVES ITS COMMON LAW COPYRIGHT AND OTHER PROPERTY RIGHTS IN THESE PLANS. THESE PLANS AND DRAWINGS ARE NOT TO BE REPRODUCED, CHANGED, OR COPIED IN ANY FORM OR MANNER WITHOUT FIRST OBTAINING THE EXPRESS WRITTEN CONSENT OF RENAISSANCE RESIDENTIAL DESIGN, INC. NOR ARE THEY TO BE ASSIGNED TO ANY THIRD PARTY WITHOUT FIRST OBTAINING SAID WRITTEN PERMISSION AND CONSENT.

THESE DIMENSIONS, FINISHES, FEATURES, COLORS, FLOOR PLANS, ELEVATIONS, USINGS, MATERIALS AND DIMENSIONS ARE SUBJECT TO CHANGE WITHOUT NOTICE. SQUARE FOOTAGE AND DIMENSIONS ARE ESTIMATED AND MAY VARY IN ACTUAL CONSTRUCTION. ACTUAL POSITION OF WALLS, DOORS, WINDOWS, AND OTHER FEATURES ARE TO BE DETERMINED BY THE ARCHITECT'S FIELD SURVEY AND ARTIST CONCEPTIONS. FLOOR PLANS AND ELEVATION RENDERINGS ARE PROPERTY OF WESTAN HOMES. ANY USE, REPRODUCTION, OR MODIFICATION OF THESE DRAWINGS IS STRICTLY PROHIBITED. SEE NEW HOME SALES CONSULTANT FOR CURRENT DETAILS. COPYRIGHT © 2020 WESTAN HOMES

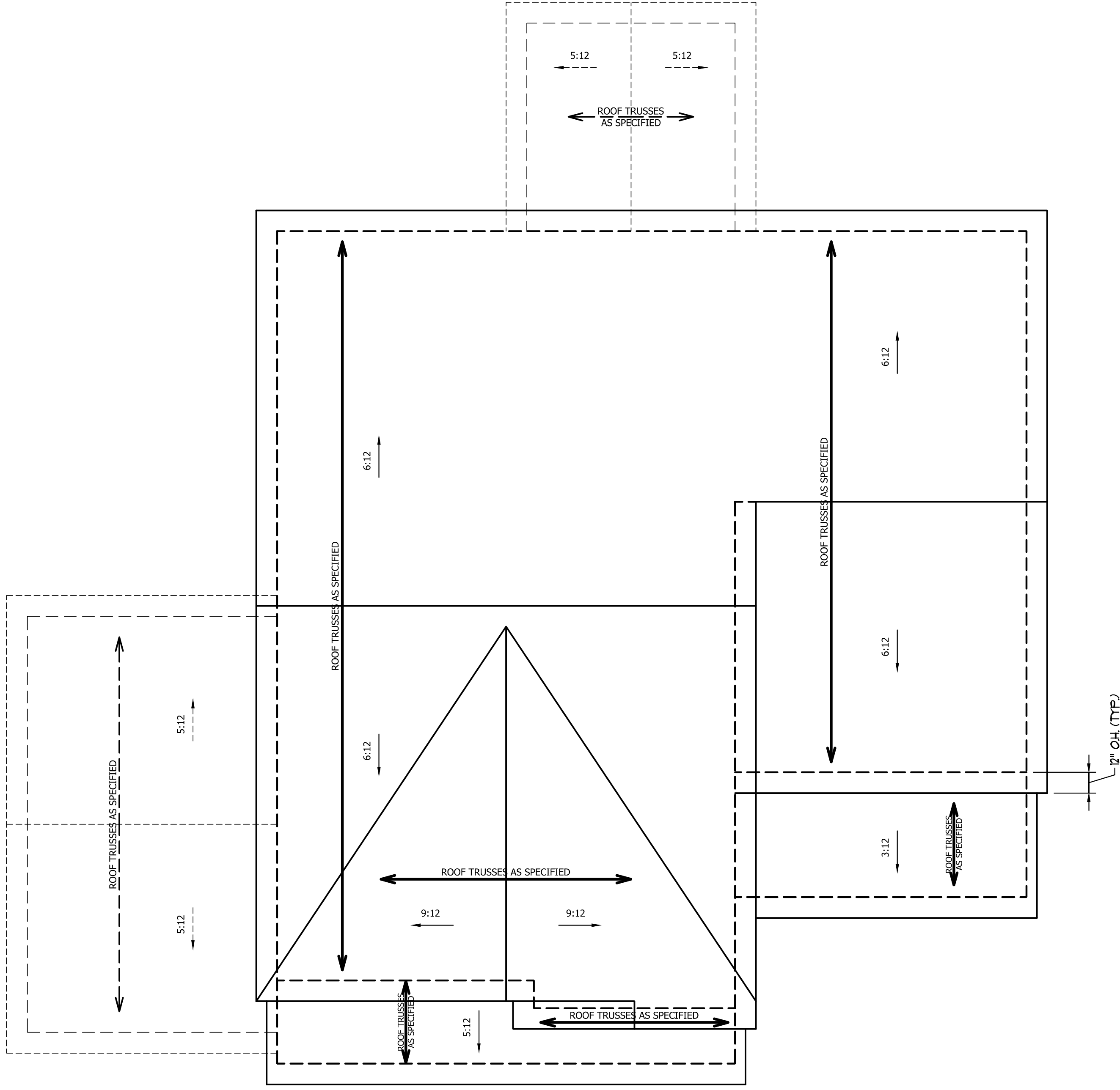
WESTAN HOMES
CAROLINA COLLECTION
BRINKLEY

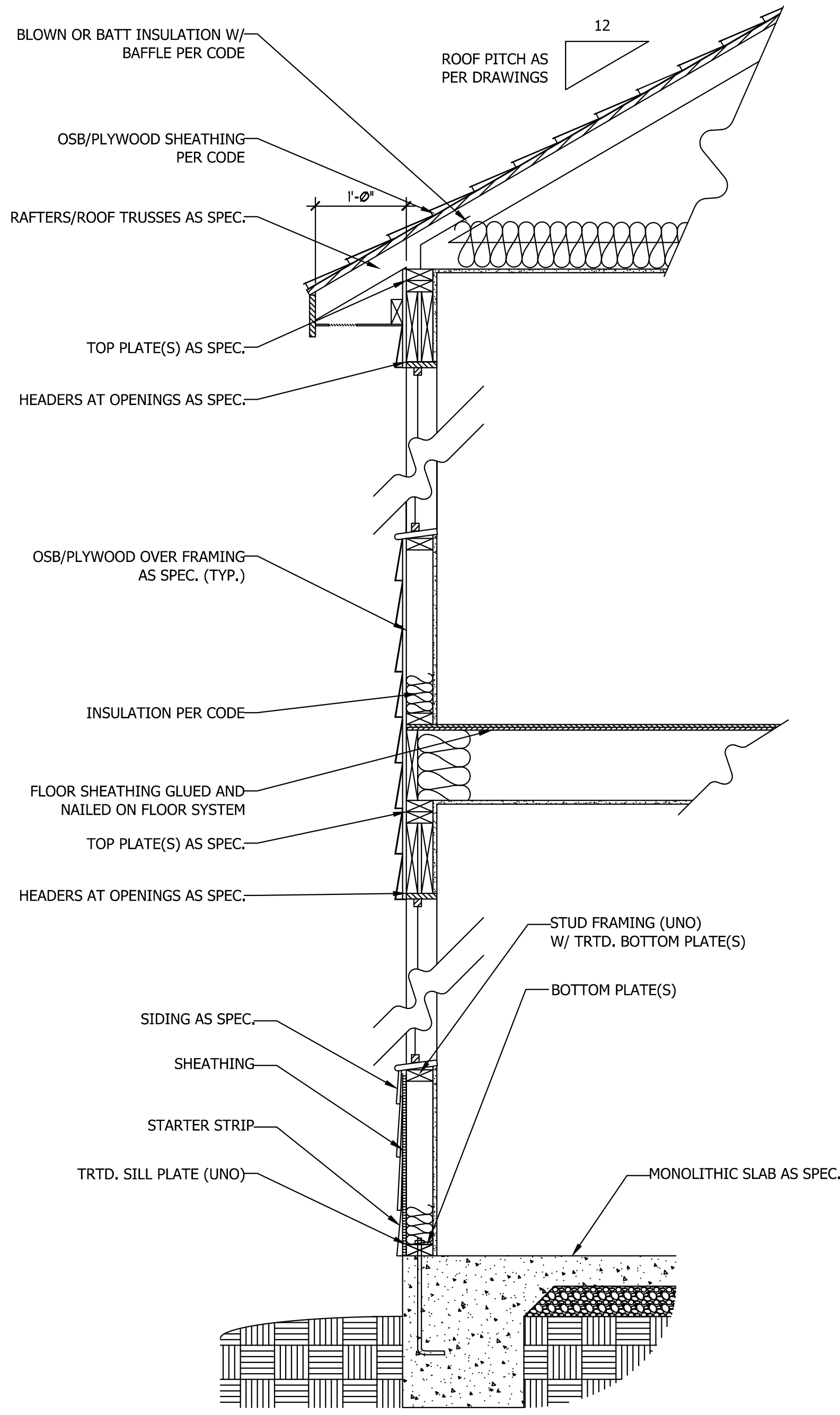
DATE: JUNE 22, 2021
REV.:
SCALE: 1/4" = 1'-0"
DRAWN BY: WG
ENGINEERED BY:
REVIEWED BY:

ROOF PLAN
S-4

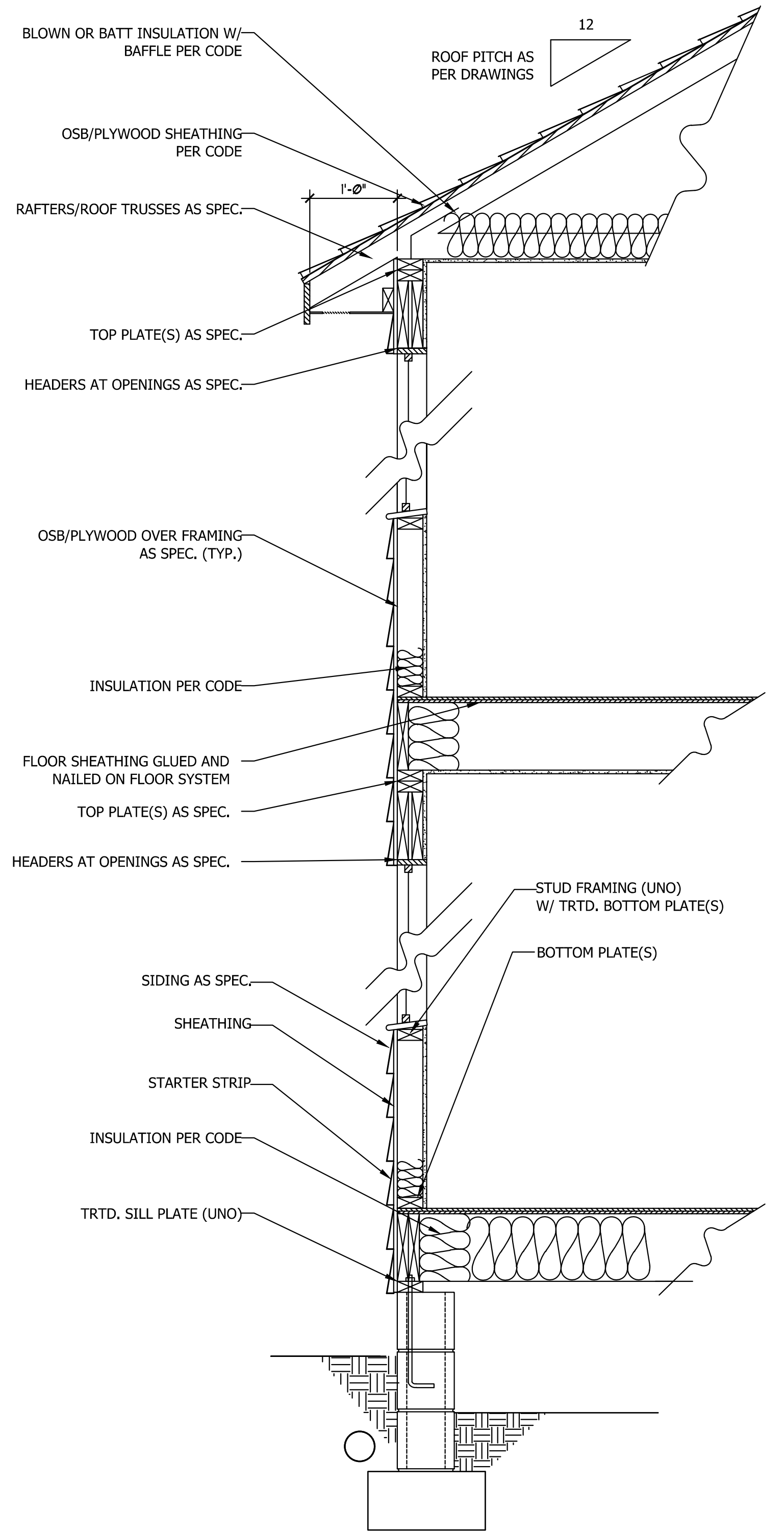
ATTIC VENT CALCULATION:
1484 SQ. FT. OF ATTIC DIVIDED BY 150 REQUIRES 9.9 SQ. FT. OF NET FREE VENTILATING AREA (MIN.).

- STRUCTURAL NOTES:**
1. ALL FRAMING LUMBER TO BE #2 SPF (UNO).
 2. HIP SPLICES ARE TO BE SPACED A MIN. OF 8'-0". FASTEN MEMBERS WITH THREE ROWS OF 12d NAILS @ 16" O.C. (TYP.)
 3. STICK FRAME OVER-FRAMED ROOF SECTIONS W/ 2 x 8 RIDGES, 2 x 6 RAFTERS @ 16" O.C. AND FLAT 2 x 10 VALLEYS OR USE VALLEY TRUSSES.
 4. FASTEN FLAT VALLEYS TO RAFTERS OR TRUSSES WITH SIMPSON H2.5A HURRICANE TIES @ 32" O.C. MAX. PASS HURRICANE TIES THROUGH NOTCH IN ROOF SHEATHING. EACH RAFTER IS TO BE FASTENED TO THE FLAT VALLEY WITH A MIN. OF (6) 12d TOE NAILS.
 5. REFER TO SECTION R802.11 OF THE 2018 NCRC FOR REQUIRED UPLIFT RESISTANCE AT RAFTERS AND TRUSSES.

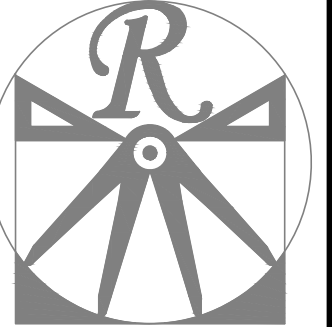




**WALL SECTION W/ SLAB
W/ STD. SIDING SHOWN (NTS)**



**WALL SECTION W/ CRAWL SPACE
W/ STD. SIDING SHOWN (NTS)**



RENAISSANCE
RESIDENTIAL DESIGN, INC.
WILMINGTON, NC (919) 649-4128
WWW.RRDCAROLINA.COM
The art of transforming your vision into reality.

RENAISSANCE RESIDENTIAL DESIGN, INC. RESERVES THE RIGHT TO MAKE MODIFICATIONS TO FLOOR PLANS, DIMENSIONS, MATERIALS, AND SPECIFICATIONS WITHOUT NOTICE. THESE DRAWINGS ARE FOR THE PURPOSE OF CONVEYING AN ARCHITECTURAL CONCEPT ONLY.

RENAISSANCE RESIDENTIAL DESIGN, INC. HEREBY EXPRESSLY RESERVES ITS COMMON LAW COPYRIGHT AND OTHER PROPERTY RIGHTS IN THESE PLANS. THESE PLANS AND DRAWINGS ARE NOT TO BE REPRODUCED, CHANGED, OR COPIED IN ANY FORM OR MANNER WITHOUT FIRST OBTAINING THE EXPRESS WRITTEN CONSENT OF RENAISSANCE RESIDENTIAL DESIGN, INC. NOR ARE THEY TO BE ASSIGNED TO ANY THIRD PARTY WITHOUT FIRST OBTAINING SAID WRITTEN PERMISSION AND CONSENT.

PLEASE REMEMBER: THESE DRAWINGS, INCLUDING FLOOR PLANS, ELEVATIONS, INTERIORS, MATERIALS AND DIMENSIONS ARE SUBJECT TO CHANGE WITHOUT NOTICE. SQUARE FOOTAGE AND DIMENSIONS ARE ESTIMATED AND MAY VARY IN ACTUAL CONSTRUCTION. ACTUAL POSITION OF FLOOR PLAN, FLOOR PLANS AND ELEVATION RENDERINGS ARE ARTIST CONCEPTIONS. FLOOR PLANS ARE THE COPYRIGHTED PROPERTY OF WESTAN HOMES. ANY USE, REPRODUCTION, OR MODIFICATION OF THESE DRAWINGS IS STRICTLY PROHIBITED. SEE NEW HOME SALES CONSULTANT FOR CURRENT DETAILS. COPYRIGHT © 2020 WESTAN HOMES

WESTAN HOMES
CAROLINA COLLECTION
BRINKLEY

DATE: JUNE 22, 2021
REV.:
SCALE: 1/4" = 1'-0"
DRAWN BY: WG
ENGINEERED BY:
REVIEWED BY:

TYPICAL WALL SECTIONS

D-1



ROOF & FLOOR TRUSSES & BEAMS

Reilly Road Industrial Park
Fayetteville, N.C. 28309
Phone: (910) 864-8787
Fax: (910) 864-4444

Bearing reactions less than or equal to 3000# are deemed to comply with the prescriptive Code requirements. The contractor shall refer to the attached Tables (derived from the prescriptive Code requirements) to determine the minimum foundation size and number of wood studs required to support reactions greater than 3000# but not greater than 15000#. A registered design professional shall be retained to design the support system for any reaction that exceeds those specified in the attached Tables. A registered design professional shall be retained to design the support system for all reactions that exceed 15000#.

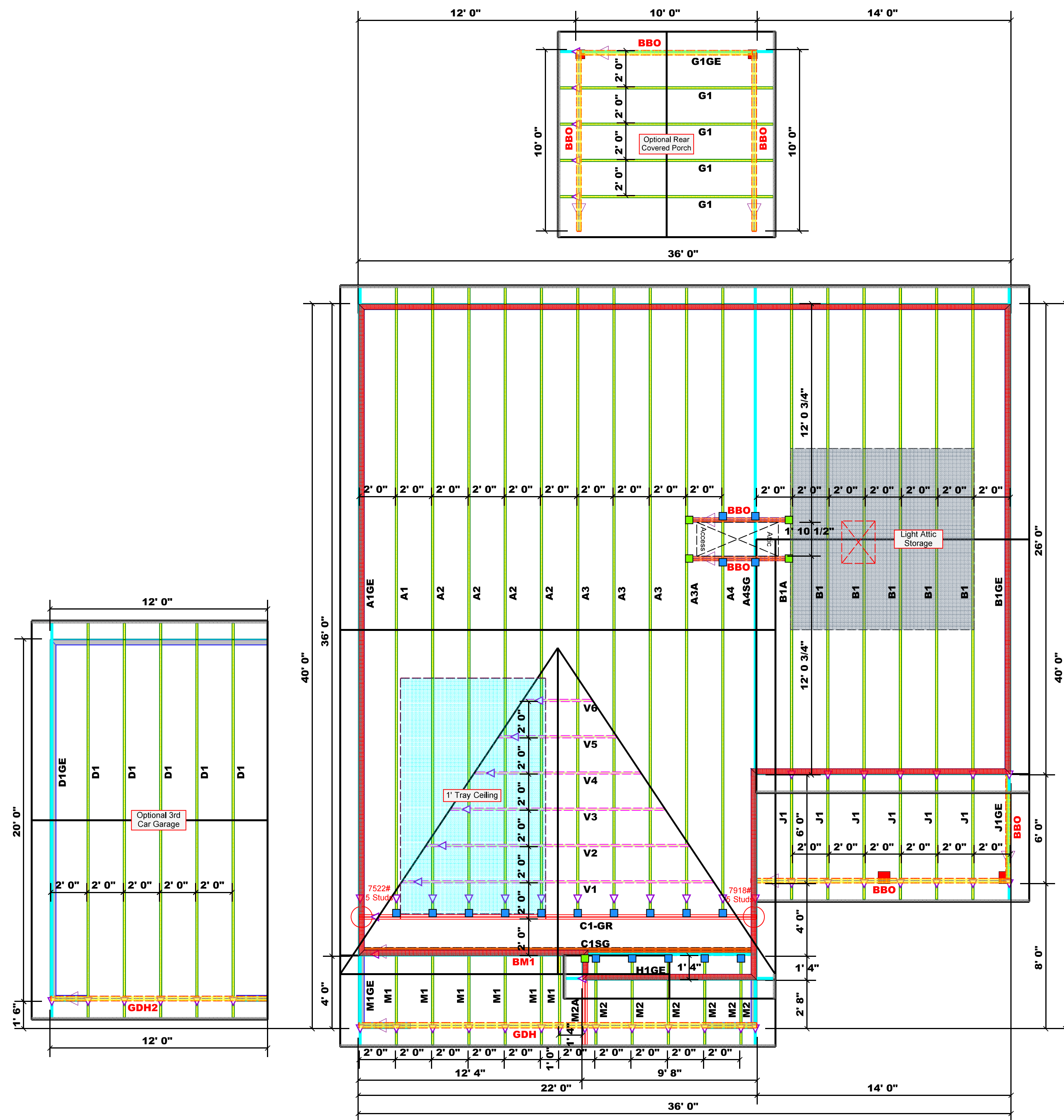
Signature David Landry

David Landry

LOAD CHART FOR JACK STUDS

(BASED ON TABLES R532.5(1) & (2))
NUMBER OF JACK STUDS REQUIRED @ EACH END OF HEADERS/BEAM

FIN. REACTION (Lb/Ft)	REQ. STUDS FOR 12" W/SPACER	FIN. REACTION (Lb/Ft)	REQ. STUDS FOR 12" W/SPACER	FIN. REACTION (Lb/Ft)	REQ. STUDS FOR 12" W/SPACER
1700	1	2550	1	3400	1
3400	2	5100	2	6800	2
5100	3	7650	3	10200	3
6800	4	10200	4	13600	4
8500	5	12750	5	17000	5
10200	6	15300	6		
11900	7				
13600	8				
15300	9				



Dimension Notes
1. All exterior wall to wall dimensions are to face of sheathing unless noted otherwise
2. All interior wall dimensions are to face of frame wall unless noted otherwise
3. All exterior wall to truss dimensions are to face of frame wall unless noted otherwise

All Walls Shown Are Considered Load Bearing

Roof Area = 2211.85 sq.ft.
Ridge Line = 83.75 ft.
Hip Line = 0 ft.
Horiz. OH = 189.58 ft.
Raked OH = 233.07 ft.
Decking = 76 sheets

Hatch Legend

[Hatched]	Padded HVAC
[Blue]	Tray Ceiling
[Red]	2nd Floor Walls
[Yellow]	Drop Beam

Connector Information					Nail Information	
Sym	Product	Manuf	Qty	Supported Member	Header	Truss
[Blue]	HUS26	USP	19	NA	16d/3-1/2"	16d/3-1/2"
[Green]	THD26-2	USP	5	NA	16d/3-1/2"	10d/3"

Products

PlotID	Length	Product	Plies	Net Qty
BM1	22' 0"	1-3/4"x 16" LVL Kerto-S	3	3
BM2	15' 0"	1-3/4"x 16" LVL Kerto-S	3	3
BM3	7' 0"	1-3/4"x 9-1/4" LVL Kerto-S	2	2
GDH	22' 0"	1-3/4"x 11-7/8" LVL Kerto-S	2	2
GDH2	12' 0"	2x12 SPF No.2	2	2

1 Truss Placement Plan
Scale: 1/4"=1'

BUILDER	JOB NAME	PLAN	SEAL DATE	QUOTE #	JOB #
Weston Homes	Lot 4 Cameron Rd.	Brinkley	3-15-19	Quote #	J0721-4310
CITY / CO.	Clayton / Johnston	ADDRESS	Lot 4 Cameron Rd.	MODEL	Roof
DATE REV.	08/03/21	DRAWN BY	David Landry	SALES REP.	Lenny Norris

THIS IS A TRUSS PLACEMENT DIAGRAM ONLY.
These trusses are designed as individual building components to be incorporated into the building design at the specification of the building designer. See individual design sheets for each truss design identified on the placement drawing. The building designer is responsible for temporary and permanent bracing of the roof and floor system and for the overall structure. The design of the truss support structure including headers, beams, walls, and columns is the responsibility of the building designer. For general guidance regarding bracing, consult BCS-B1 and BCS-B3 provided with the truss delivery package or online at sbcindustry.com

△ = Indicates Left End of Truss (Reference Engineered Truss Drawing)
Do NOT Erect Truss Backwards



RE: J0721-4306
Lot 4 Cameron Rd.

Trenco
818 Soundside Rd
Edenton, NC 27932

Site Information:

Customer: Renaissance Residential Design Inc. Project Name: J0721-4306
Lot/Block: 4 Model: Brinkley
Address: Subdivision:
City: State:

General Truss Engineering Criteria & Design Loads (Individual Truss Design Drawings Show Special Loading Conditions):

Design Code: IRC2015/TPI2014 Design Program: MiTek 20/20 8.4
Wind Code: ASCE 7-10 Wind Speed: 150 mph
Roof Load: 40.0 psf Floor Load: N/A psf

This package includes 29 individual, dated Truss Design Drawings and 0 Additional Drawings.

No.	Seal#	Truss Name	Date	No.	Seal#	Truss Name	Date
1	E16001299	A1	8/3/2021	21	E16001319	M1GE	8/3/2021
2	E16001300	A1GE	8/3/2021	22	E16001320	M2	8/3/2021
3	E16001301	A2	8/3/2021	23	E16001321	M2A	8/3/2021
4	E16001302	A3	8/3/2021	24	E16001322	V1	8/3/2021
5	E16001303	A3A	8/3/2021	25	E16001323	V2	8/3/2021
6	E16001304	A4	8/3/2021	26	E16001324	V3	8/3/2021
7	E16001305	A4SG	8/3/2021	27	E16001325	V4	8/3/2021
8	E16001306	B1	8/3/2021	28	E16001326	V5	8/3/2021
9	E16001307	B1A	8/3/2021	29	E16001327	V6	8/3/2021
10	E16001308	B1GE	8/3/2021				
11	E16001309	C1-GR	8/3/2021				
12	E16001310	C1SG	8/3/2021				
13	E16001311	D1	8/3/2021				
14	E16001312	D1GE	8/3/2021				
15	E16001313	G1	8/3/2021				
16	E16001314	G1GE	8/3/2021				
17	E16001315	H1GE	8/3/2021				
18	E16001316	J1	8/3/2021				
19	E16001317	J1GE	8/3/2021				
20	E16001318	M1	8/3/2021				

The truss drawing(s) referenced above have been prepared by Truss Engineering Co. under my direct supervision based on the parameters provided by Comtech, Inc - Fayetteville.

Truss Design Engineer's Name: Gilbert, Eric

My license renewal date for the state of North Carolina is December 31, 2021.

North Carolina COA: C-0844

IMPORTANT NOTE: The seal on these truss component designs is a certification that the engineer named is licensed in the jurisdiction(s) identified and that the designs comply with ANSI/TPI 1. These designs are based upon parameters shown (e.g., loads, supports, dimensions, shapes and design codes), which were given to TRENCO. Any project specific information included is for TRENCO customers file reference purpose only, and was not taken into account in the preparation of these designs. TRENCO has not independently verified the applicability of the design parameters or the designs for any particular building. Before use, the building designer should verify applicability of design parameters and properly incorporate these designs into the overall building design per ANSI/TPI 1, Chapter 2.

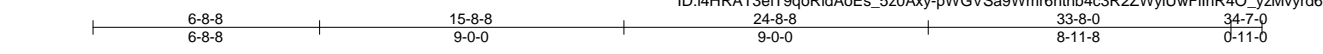


August 03, 2021

Job J0721-4306	Truss A1	Truss Type COMMON	Qty 1	Ply 1	Lot 4 Cameron Rd. Job Reference (optional)	E16001299
-------------------	-------------	----------------------	----------	----------	---	-----------

Comtech, Inc. Fayetteville, NC - 28314,

8,430 s Jun 2 2021 MiTek Industries, Inc. Tue Aug 3 07:54:20 2021 Page 1
 ID:4HRAT3eIT9oRldAoEs_5z0Axy-pWGVSa9Wmr6nthb4c3R2ZWylUwFllhR40_yzMyvrd61



Scale: 3/16"=1'

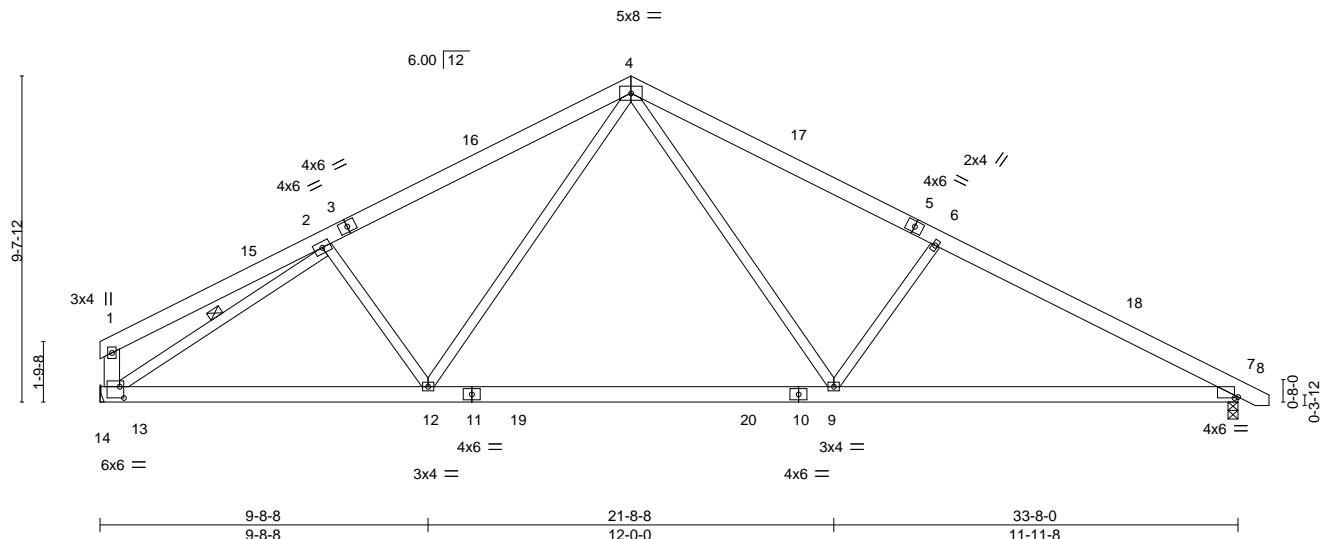


Plate Offsets (X,Y)--	[7:0-1-4,0-0-7], [13:0-1-8,0-4-0]
-----------------------	-----------------------------------

LOADING (psf)	SPACING-	CSI.	DEFL.	PLATES	GRIP
TCLL 20.0	2-0-0	TC 0.36	in (loc) l/defl L/d	MT20	244/190
TCDL 10.0	Plate Grip DOL 1.15	BC 0.66	Vert(LL) -0.35 9-12 >999 360		
BCLL 0.0 *	Lumber DOL 1.15	WB 0.57	Vert(CT) -0.48 9-12 >833 240		
BCDL 10.0	Rep Stress Incr YES	Matrix-S	Horz(CT) 0.05 7 n/a n/a		
	Code IRC2015/TPI2014		Wind(LL) 0.07 7-9 >999 240	Weight: 230 lb	FT = 20%

LUMBER-	BRACING-
TOP CHORD 2x6 SP No.1	TOP CHORD Structural wood sheathing directly applied or 4-9-10 oc purlins, except end verticals.
BOT CHORD 2x6 SP No.1	BOT CHORD Rigid ceiling directly applied or 9-9-4 oc bracing.
WEBS 2x4 SP No.2 *Except* 1-13: 2x6 SP No.1	WEBS 1 Row at midpt 2-13

REACTIONS. (size) 13=Mechanical, 7=0-3-8
 Max Horz 13=-193(LC 13)
 Max Uplift 13=-222(LC 12), 7=-263(LC 13)
 Max Grav 13=1333(LC 1), 7=1379(LC 1)

FORCES. (lb) - Max. Comp./Max. Ten. - All forces 250 (lb) or less except when shown.
 TOP CHORD 1-2=-300/179, 2-4=-1841/805, 4-6=-2084/871, 6-7=-2336/875, 1-13=-254/214
 BOT CHORD 12-13=-482/1658, 9-12=-230/1276, 7-9=-635/1990
 WEBS 2-12=-242/311, 4-12=-140/593, 4-9=-273/970, 6-9=-522/454, 2-13=-1806/660

- NOTES-**
- Unbalanced roof live loads have been considered for this design.
 - Wind: ASCE 7-10; Vult=150mph Vasd=119mph; TCCL=6.0psf; BCDL=6.0psf; h=15ft; Cat. II; Exp C; Enclosed; MWFRS (envelope) and C-C Exterior(2) 0-4-4 to 4-9-1, Interior(1) 4-9-1 to 15-8-8, Exterior(2) 15-8-8 to 20-1-5, Interior(1) 20-1-5 to 34-4-10 zone;C-C for members and forces & MWFRS for reactions shown; Lumber DOL=1.60 plate grip DOL=1.60
 - This truss has been designed for a 10.0 psf bottom chord live load nonconcurrent with any other live loads.
 - * This truss has been designed for a live load of 30.0psf on the bottom chord in all areas where a rectangle 3-6-0 tall by 2-0-0 wide will fit between the bottom chord and any other members, with BCDL = 10.0psf.
 - Refer to girder(s) for truss to truss connections.
 - Provide mechanical connection (by others) of truss to bearing plate capable of withstanding 100 lb uplift at joint(s) except (jt=lb) 13=222, 7=263.
 - This truss is designed in accordance with the 2015 International Residential Code sections R502.11.1 and R802.10.2 and referenced standard ANSI/TPI 1.



August 3, 2021

WARNING - Verify design parameters and READ NOTES ON THIS AND INCLUDED MITEK REFERENCE PAGE MII-7473 rev. 5/19/2020 BEFORE USE.
 Design valid for use only with MiTek® connectors. This design is based only upon parameters shown, and is for an individual building component, not a truss system. Before use, the building designer must verify the applicability of design parameters and properly incorporate this design into the overall building design. Bracing indicated is to prevent buckling of individual truss web and/or chord members only. Additional temporary and permanent bracing is always required for stability and to prevent collapse with possible personal injury and property damage. For general guidance regarding the fabrication, storage, delivery, erection and bracing of trusses and truss systems, see **ANSI/TPI1 Quality Criteria, DSB-89 and BCSI Building Component Safety Information** available from Truss Plate Institute, 2670 Crain Highway, Suite 203 Waldorf, MD 20601

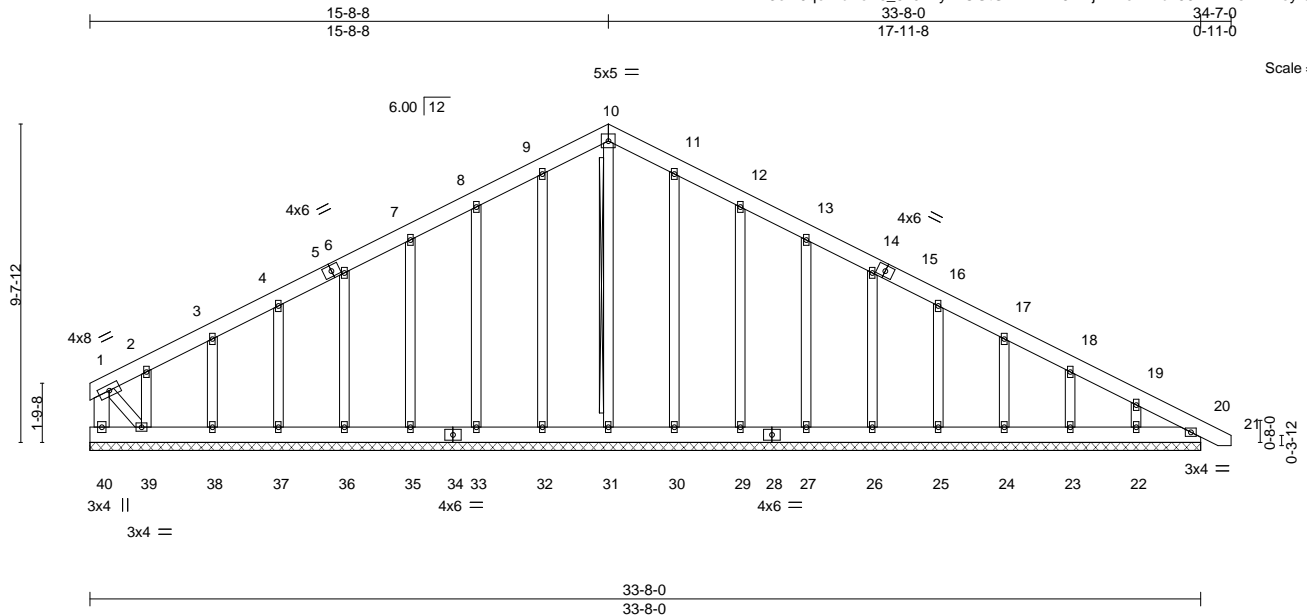
818 Soundside Road
Edenton, NC 27932

Job J0721-4306	Truss A1GE	Truss Type COMMON SUPPORTED GAB	Qty 1	Ply 1	Lot 4 Cameron Rd. Job Reference (optional)	E16001300
-------------------	---------------	------------------------------------	----------	----------	---	-----------

Comtech, Inc, Fayetteville, NC - 28314,

8.430 s Jun 2 2021 MiTek Industries, Inc. Tue Aug 3 07:54:22 2021 Page 1

ID:14HRAT3eIT9qRldAoEs_5z0Axy-lvOGtGBnITMV6?ITJTTeX1Adk56mhhNslR4Royrd6?



Scale = 1:65.7

LOADING (psf)	SPACING-	CSI.	DEFL.	PLATES	GRIP
TCLL 20.0	2-0-0	TC 0.06	in (loc) l/defl L/d	MT20	244/190
TCDL 10.0	Plate Grip DOL 1.15	BC 0.03	Vert(LL) 0.00 20 n/r 120		
BCLL 0.0 *	Lumber DOL 1.15	WB 0.14	Vert(CT) 0.00 20 n/r 120		
BCDL 10.0	Rep Stress Incr YES	Matrix-S	Horz(CT) 0.01 20 n/a n/a		
	Code IRC2015/TPI2014			Weight: 288 lb	FT = 20%

LUMBER-

TOP CHORD 2x6 SP No.1
 BOT CHORD 2x6 SP No.1
 WEBS 2x6 SP No.1 *Except*
 1-39: 2x4 SP No.2
 OTHERS 2x4 SP No.2

BRACING-

TOP CHORD Structural wood sheathing directly applied or 6-0-0 oc purlins, except end verticals.
 BOT CHORD Rigid ceiling directly applied or 10-0-0 oc bracing.
 WEBS T-Brace: 2x4 SPF No.2 - 10-31
 Fasten (2X) T and I braces to narrow edge of web with 10d (0.131"x3") nails, 6in o.c., with 3in minimum end distance.
 Brace must cover 90% of web length.

REACTIONS.

All bearings 33-8-0.
 (lb) - Max Horz 40=-309(LC 13)
 Max Uplift All uplift 100 lb or less at joint(s) 32, 30, 20 except 40=-119(LC 17), 33=-119(LC 12), 35=-108(LC 12), 36=-107(LC 12), 37=-108(LC 12), 38=-110(LC 12), 39=-341(LC 12), 29=-122(LC 13), 27=-108(LC 13), 26=-107(LC 13), 25=-108(LC 13), 24=-108(LC 13), 23=-107(LC 13), 22=-134(LC 13)
 Max Grav All reactions 250 lb or less at joint(s) 31, 32, 33, 35, 36, 37, 38, 39, 30, 29, 27, 26, 25, 24, 23, 22, 20 except 40=328(LC 12)

FORCES.

(lb) - Max. Comp./Max. Ten. - All forces 250 (lb) or less except when shown.
 TOP CHORD 1-40=-306/120, 7-8=-109/273, 8-9=-138/357, 9-10=-158/412, 10-11=-158/412, 11-12=-138/357, 12-13=-109/273, 19-20=-254/80
 BOT CHORD 39-40=-159/298, 38-39=-73/258, 37-38=-73/258, 36-37=-73/258, 35-36=-73/258, 33-35=-73/258, 32-33=-73/258, 31-32=-73/258, 30-31=-73/258, 29-30=-73/258, 27-29=-73/258, 26-27=-73/258, 25-26=-73/258, 24-25=-73/258, 23-24=-73/258, 22-23=-73/258, 20-22=-73/258
 WEBS 1-39=-102/304

NOTES-

- Unbalanced roof live loads have been considered for this design.
- Wind: ASCE 7-10; Vult=150mph Vasd=119mph; TC DL=6.0psf; BC DL=6.0psf; h=15ft; Cat. II; Exp C; Enclosed; MWFRS (envelope) gable end zone and C-C Exterior(2) zone; C-C for members and forces & MWFRS for reactions shown; Lumber DOL=1.60 plate grip DOL=1.60
- Truss designed for wind loads in the plane of the truss only. For studs exposed to wind (normal to the face), see Standard Industry Gable End Details as applicable, or consult qualified building designer as per ANSI/TPI 1.
- All plates are 2x4 MT20 unless otherwise indicated.
- Gable requires continuous bottom chord bearing.
- Gable studs spaced at 2-0-0 oc.
- This truss has been designed for a 10.0 psf bottom chord live load nonconcurrent with any other live loads.
- * This truss has been designed for a live load of 30.0psf on the bottom chord in all areas where a rectangle 3-6-0 tall by 2-0-0 wide will fit between the bottom chord and any other members.
- Provide mechanical connection (by others) of truss to bearing plate capable of withstanding 100 lb uplift at joint(s) 32, 30, 20 except (jt=lb) 40=119, 33=119, 35=108, 36=107, 37=108, 38=110, 39=341, 29=122, 27=108, 26=107, 25=108, 24=108, 23=107, 22=134.
- This truss is designed in accordance with the 2015 International Residential Code sections R502.11.1 and R802.10.2 and



August 3, 2021

Continued on page standard ANSI/TPI 1.

WARNING - Verify design parameters and READ NOTES ON THIS AND INCLUDED MITEK REFERENCE PAGE MII-7473 rev. 5/19/2020 BEFORE USE.
 Design valid for use only with MiTek® connectors. This design is based only upon parameters shown, and is for an individual building component, not a truss system. Before use, the building designer must verify the applicability of design parameters and properly incorporate this design into the overall building design. Bracing indicated is to prevent buckling of individual truss web and/or chord members only. Additional temporary and permanent bracing is always required for stability and to prevent collapse with possible personal injury and property damage. For general guidance regarding the fabrication, storage, delivery, erection and bracing of trusses and truss systems, see **ANSI/TPI1 Quality Criteria, DSB-89 and BCSI Building Component Safety Information** available from Truss Plate Institute, 2670 Crain Highway, Suite 203 Waldorf, MD 20601



Job	Truss	Truss Type	Qty	Ply	Lot 4 Cameron Rd.	E16001300
J0721-4306	A1GE	COMMON SUPPORTED GAB	1	1	Job Reference (optional)	

Comtech, Inc, Fayetteville, NC - 28314,

8.430 s Jun 2 2021 MiTek Industries, Inc. Tue Aug 3 07:54:22 2021 Page 2
 ID:I4HRAT3eIT9qoRldAoEs_5z0Axy-lvOGtGBnITMV6?ITJTTXex1Adk56mhhNslR4Royrd6?

NOTES-

11) Warning: Additional permanent and stability bracing for truss system (not part of this component design) is always required.

WARNING - Verify design parameters and READ NOTES ON THIS AND INCLUDED MITEK REFERENCE PAGE MII-7473 rev. 5/19/2020 BEFORE USE.
 Design valid for use only with MiTek® connectors. This design is based only upon parameters shown, and is for an individual building component, not a truss system. Before use, the building designer must verify the applicability of design parameters and properly incorporate this design into the overall building design. Bracing indicated is to prevent buckling of individual truss web and/or chord members only. Additional temporary and permanent bracing is always required for stability and to prevent collapse with possible personal injury and property damage. For general guidance regarding the fabrication, storage, delivery, erection and bracing of trusses and truss systems, see **ANSI/TP11 Quality Criteria, DSB-89 and BCSI Building Component Safety Information** available from Truss Plate Institute, 2670 Crain Highway, Suite 203 Waldorf, MD 20601

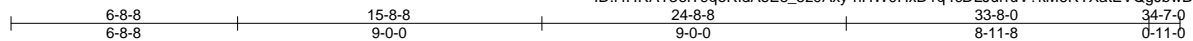


818 Soundside Road
 Edenton, NC 27932

Job J0721-4306	Truss A3	Truss Type COMMON	Qty 3	Ply 1	Lot 4 Cameron Rd. Job Reference (optional)	E16001302
-------------------	-------------	----------------------	----------	----------	---	-----------

Comtech, Inc, Fayetteville, NC - 28314,

8,430 s Jun 2 2021 MiTek Industries, Inc. Tue Aug 3 07:54:24 2021 Page 1
 ID:I4HRAT3eIT9qRIdAoEs_5z0Axy-hHW0HxD1q4cDLJurrV?kM6RTXatEVQgJbwBUgyrd5z



Scale: 3/16"=1'

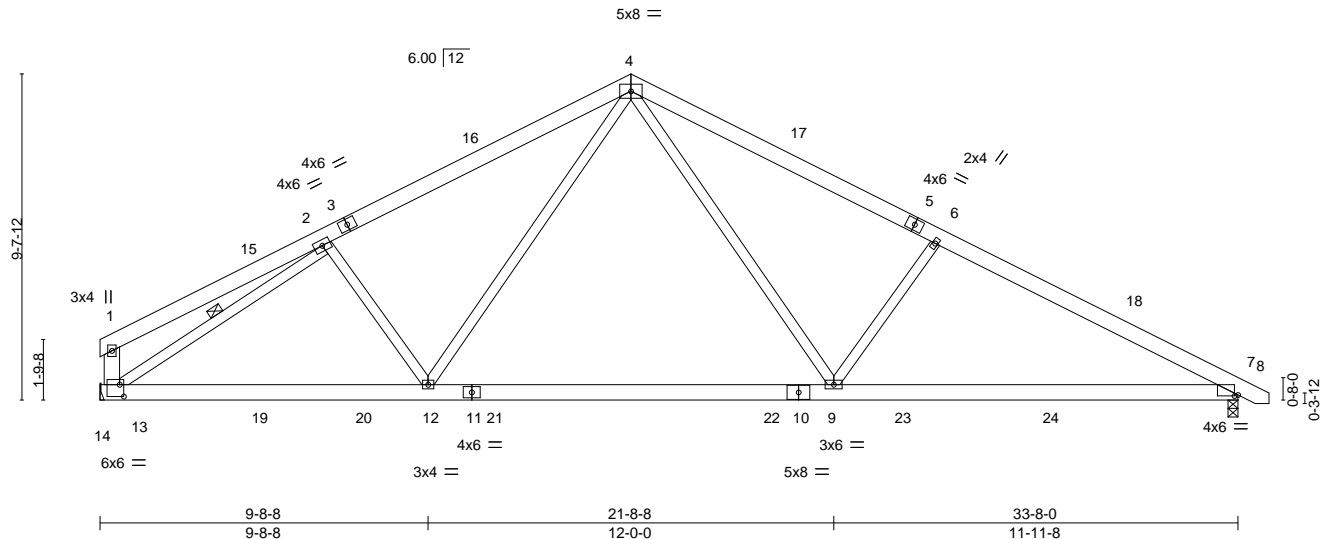


Plate Offsets (X,Y)-- [7:0-1-4,0-0-7], [13:0-1-8,0-4-4]

LOADING (psf)	SPACING-	CSI.	DEFL.	PLATES	GRIP
TCLL 20.0	2-0-0	TC 0.36	in (loc) l/defl L/d	MT20	244/190
TCDL 10.0	Plate Grip DOL 1.15	BC 0.78	Vert(LL) -0.30 9-12 >999 360		
BCLL 0.0 *	Lumber DOL 1.15	WB 0.57	Vert(CT) -0.42 9-12 >946 240		
BCDL 10.0	Rep Stress Incr YES	Matrix-S	Horz(CT) 0.06 7 n/a n/a		
	Code IRC2015/TPI2014		Wind(LL) 0.07 7-9 >999 240	Weight: 230 lb	FT = 20%

LUMBER-

TOP CHORD 2x6 SP No.1
 BOT CHORD 2x6 SP No.1
 WEBS 2x4 SP No.2 *Except*
 1-13: 2x6 SP No.1

BRACING-

TOP CHORD Structural wood sheathing directly applied or 4-5-3 oc purlins, except end verticals.
 BOT CHORD Rigid ceiling directly applied or 9-9-4 oc bracing.
 WEBS 1 Row at midt 2-13

REACTIONS.

(size) 13=Mechanical, 7=0-3-8
 Max Horz 13=-193(LC 13)
 Max Uplift 13=-222(LC 12), 7=-263(LC 13)
 Max Grav 13=1525(LC 2), 7=1551(LC 2)

FORCES.

(lb) - Max. Comp./Max. Ten. - All forces 250 (lb) or less except when shown.
 TOP CHORD 1-2=-323/179, 2-4=-2090/805, 4-6=-2413/871, 6-7=-2646/875, 1-13=-255/214
 BOT CHORD 12-13=-482/1866, 9-12=-230/1449, 7-9=-635/2287
 WEBS 2-12=-242/311, 4-12=-140/683, 4-9=-273/1190, 6-9=-522/454, 2-13=-1940/660

NOTES-

- Unbalanced roof live loads have been considered for this design.
- Wind: ASCE 7-10; Vult=150mph Vasd=119mph; TCCL=6.0psf; BCDL=6.0psf; h=15ft; Cat. II; Exp C; Enclosed; MWFRS (envelope) and C-C Exterior(2) 0-4-4 to 4-9-1, Interior(1) 4-9-1 to 15-8-8, Exterior(2) 15-8-8 to 20-1-5, Interior(1) 20-1-5 to 34-4-10 zone;C-C for members and forces & MWFRS for reactions shown; Lumber DOL=1.60 plate grip DOL=1.60
- This truss has been designed for a 10.0 psf bottom chord live load nonconcurrent with any other live loads.
- * This truss has been designed for a live load of 30.0psf on the bottom chord in all areas where a rectangle 2-6-0 tall by 2-0-0 wide will fit between the bottom chord and any other members, with BCDL = 10.0psf.
- Refer to girder(s) for truss to truss connections.
- Provide mechanical connection (by others) of truss to bearing plate capable of withstanding 100 lb uplift at joint(s) except (jt=lb) 13=222, 7=263.
- This truss is designed in accordance with the 2015 International Residential Code sections R502.11.1 and R802.10.2 and referenced standard ANSI/TPI 1.



August 3, 2021

WARNING - Verify design parameters and READ NOTES ON THIS AND INCLUDED MITTEK REFERENCE PAGE MII-7473 rev. 5/19/2020 BEFORE USE.
 Design valid for use only with MiTek® connectors. This design is based only upon parameters shown, and is for an individual building component, not a truss system. Before use, the building designer must verify the applicability of design parameters and properly incorporate this design into the overall building design. Bracing indicated is to prevent buckling of individual truss web and/or chord members only. Additional temporary and permanent bracing is always required for stability and to prevent collapse with possible personal injury and property damage. For general guidance regarding the fabrication, storage, delivery, erection and bracing of trusses and truss systems, see **ANSI/TPI1 Quality Criteria, DSB-89 and BCSI Building Component Safety Information** available from Truss Plate Institute, 2670 Crain Highway, Suite 203 Waldorf, MD 20601



818 Soundside Road
 Edenton, NC 27932

Job J0721-4306	Truss A3A	Truss Type COMMON	Qty 1	Ply 1	Lot 4 Cameron Rd. Job Reference (optional)	E16001303
-------------------	--------------	----------------------	----------	----------	---	-----------

Comtech, Inc. Fayetteville, NC - 28314,

8.430 s Jun 2 2021 MiTek Industries, Inc. Tue Aug 3 07:54:25 2021 Page 1

ID:14HRAT3eIT9qoRIdAoEs_5z0Axy-AT4OVHDfbOk4zST2Oc1EGZfZ5xt?zvapYFfk06yrd5y
 6-8-8 15-8-8 24-8-8 33-8-0 34-7-0
 6-8-8 9-0-0 9-0-0 8-11-8 0-11-0

Scale: 3/16"=1'

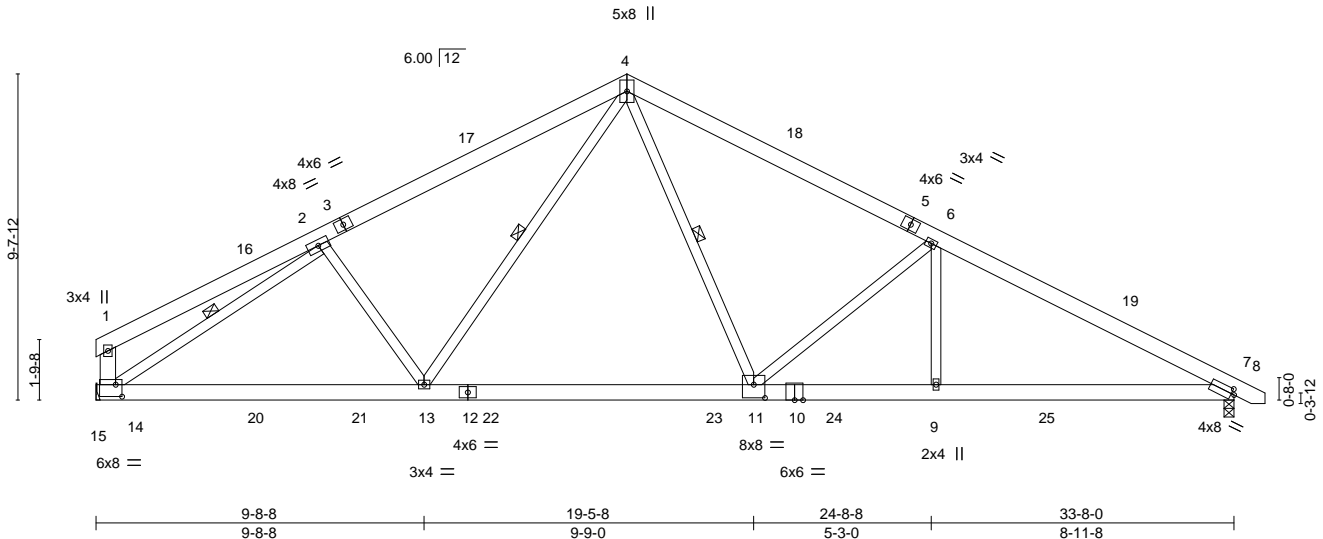


Plate Offsets (X,Y)-- [7:0-1-0,0-1-13], [11:0-4-0,0-4-12], [14:0-2-4,0-4-4]

LOADING (psf)	SPACING-	CSI.	DEFL.	PLATES	GRIP
TCLL 20.0	2-0-0	TC 0.56	in (loc) l/defl L/d	MT20	244/190
TCDL 10.0	Plate Grip DOL 1.15	BC 0.97	Vert(LL) -0.19 11-13 >999 360		
BCLL 0.0 *	Lumber DOL 1.15	WB 0.77	Vert(CT) -0.32 11-13 >999 240		
BCDL 10.0	Rep Stress Incr NO	Matrix-S	Horz(CT) 0.09 7 n/a n/a		
	Code IRC2015/TPI2014		Wind(LL) 0.21 9-11 >999 240	Weight: 237 lb	FT = 20%

LUMBER-

TOP CHORD 2x6 SP No.1
 BOT CHORD 2x6 SP No.1
 WEBS 2x4 SP No.2 *Except*
 1-14: 2x6 SP No.1

BRACING-

TOP CHORD Structural wood sheathing directly applied or 3-4-9 oc purlins, except end verticals.
 BOT CHORD Rigid ceiling directly applied or 5-9-3 oc bracing.
 WEBS 1 Row at midpt 4-13, 4-11, 2-14

REACTIONS.

(size) 14=Mechanical, 7=0-3-8
 Max Horz 14=193(LC 13)
 Max Uplift 14=373(LC 12), 7=491(LC 13)
 Max Grav 14=2046(LC 19), 7=2357(LC 20)

FORCES.

(lb) - Max. Comp./Max. Ten. - All forces 250 (lb) or less except when shown.
 TOP CHORD 1-2=-435/227, 2-4=-2926/1389, 4-6=-3695/1822, 6-7=-4439/2001, 1-14=-315/241
 BOT CHORD 13-14=-948/2587, 11-13=-817/2396, 9-11=-1625/3860, 7-9=-1625/3860
 WEBS 2-13=-67/282, 4-13=-80/441, 4-11=-1088/2378, 6-11=-890/520, 2-14=-2661/1191,
 6-9=-78/489

NOTES-

- Unbalanced roof live loads have been considered for this design.
- Wind: ASCE 7-10; Vult=150mph Vasd=119mph; TCCL=6.0psf; BCCL=6.0psf; h=15ft; Cat. II; Exp C; Enclosed; MWFRS (envelope) and C-C Exterior(2) 0-4-4 to 4-9-1, Interior(1) 4-9-1 to 15-8-8, Exterior(2) 15-8-8 to 20-1-5, Interior(1) 20-1-5 to 34-4-10 zone; C-C for members and forces & MWFRS for reactions shown; Lumber DOL=1.60 plate grip DOL=1.60
- This truss has been designed for a 10.0 psf bottom chord live load nonconcurrent with any other live loads.
- * This truss has been designed for a live load of 30.0psf on the bottom chord in all areas where a rectangle 2-6-0 tall by 2-0-0 wide will fit between the bottom chord and any other members, with BCCL = 10.0psf.
- Refer to girder(s) for truss to truss connections.
- Provide mechanical connection (by others) of truss to bearing plate capable of withstanding 100 lb uplift at joint(s) except (jt=lb) 14=373, 7=491.
- This truss is designed in accordance with the 2015 International Residential Code sections R502.11.1 and R802.10.2 and referenced standard ANSI/TPI 1.
- Hanger(s) or other connection device(s) shall be provided sufficient to support concentrated load(s) 985 lb down and 552 lb up at 19-7-12, and 575 lb down and 322 lb up at 21-9-4 on bottom chord. The design/selection of such connection device(s) is the responsibility of others.
- In the LOAD CASE(S) section, loads applied to the face of the truss are noted as front (F) or back (B).

LOAD CASE(S) Standard

- Dead + Roof Live (balanced): Lumber Increase=1.15, Plate Increase=1.15
 Uniform Loads (plf)
 Vert: 1-4=-60, 4-8=-60, 7-15=-20



August 3, 2021

Continued on page 2

WARNING - Verify design parameters and READ NOTES ON THIS AND INCLUDED MITEK REFERENCE PAGE MII-7473 rev. 5/19/2020 BEFORE USE.

Design valid for use only with MiTek® connectors. This design is based only upon parameters shown, and is for an individual building component, not a truss system. Before use, the building designer must verify the applicability of design parameters and properly incorporate this design into the overall building design. Bracing indicated is to prevent buckling of individual truss web and/or chord members only. Additional temporary and permanent bracing is always required for stability and to prevent collapse with possible personal injury and property damage. For general guidance regarding the fabrication, storage, delivery, erection and bracing of trusses and truss systems, see **ANSI/TPI1 Quality Criteria, DSB-89 and BCSI Building Component Safety Information** available from Truss Plate Institute, 2670 Crain Highway, Suite 203 Waldorf, MD 20601



818 Soundside Road
 Edenton, NC 27932

Job	Truss	Truss Type	Qty	Ply	Lot 4 Cameron Rd.	E16001303
J0721-4306	A3A	COMMON	1	1	Job Reference (optional)	

Comtech, Inc, Fayetteville, NC - 28314,

8.430 s Jun 2 2021 MiTek Industries, Inc. Tue Aug 3 07:54:25 2021 Page 2
 ID:I4HRAT3eIT9qoRIdAoEs_5z0Axy-AT4OVHDfbOk4zST2Oc1EGZfZ5xt?zvapYFfk06yrd5y

LOAD CASE(S) Standard
 Concentrated Loads (lb)
 Vert: 11=-985(F) 24=-575(F)

WARNING - Verify design parameters and READ NOTES ON THIS AND INCLUDED MITEK REFERENCE PAGE MII-7473 rev. 5/19/2020 BEFORE USE.
 Design valid for use only with MiTek® connectors. This design is based only upon parameters shown, and is for an individual building component, not a truss system. Before use, the building designer must verify the applicability of design parameters and properly incorporate this design into the overall building design. Bracing indicated is to prevent buckling of individual truss web and/or chord members only. Additional temporary and permanent bracing is always required for stability and to prevent collapse with possible personal injury and property damage. For general guidance regarding the fabrication, storage, delivery, erection and bracing of trusses and truss systems, see **ANSI/TPI1 Quality Criteria, DSB-89 and BCSI Building Component Safety Information** available from Truss Plate Institute, 2670 Crain Highway, Suite 203 Waldorf, MD 20601

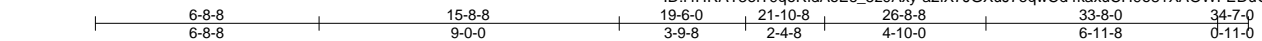


818 Soundside Road
 Edenton, NC 27932

Job J0721-4306	Truss A4SG	Truss Type GABLE	Qty 1	Ply 1	Lot 4 Cameron Rd. Job Reference (optional)	E16001305
-------------------	---------------	---------------------	----------	----------	---	-----------

Comtech, Inc. Fayetteville, NC - 28314.

8,430 s Jun 2 2021 MiTek Industries, Inc. Tue Aug 3 07:54:28 2021 Page 1
 ID:4HRAT3eIT9qoRldAoEs_5z0Axy-a2IX7JGXuJ7eqwCd4kaxuCH9o81XAOWFEDuOdRyrd5v



Scale = 1:65.0

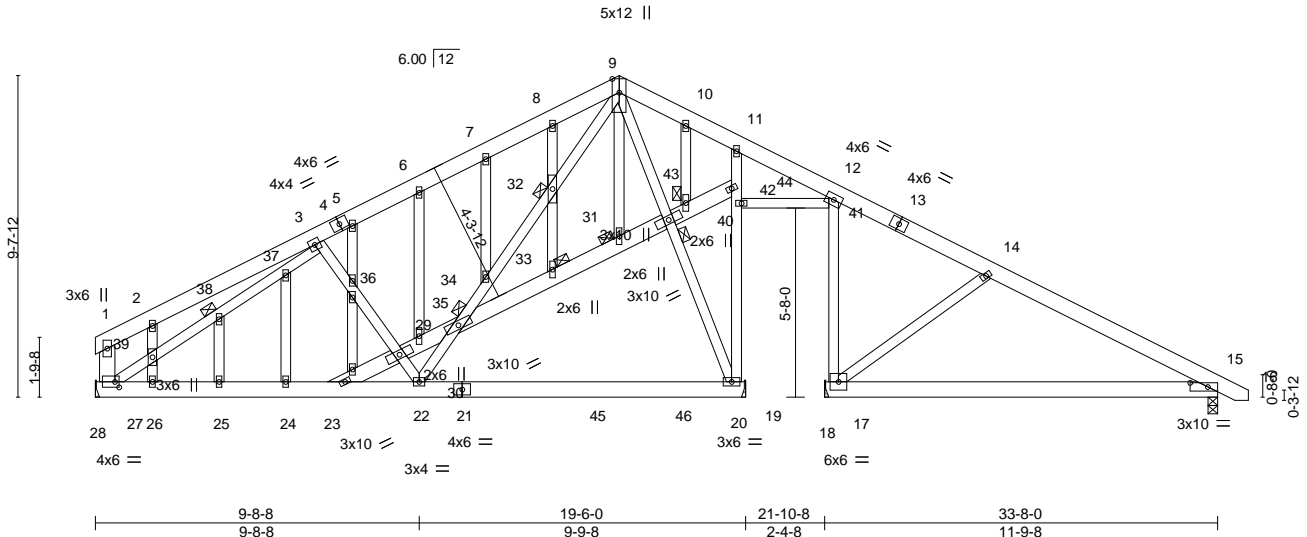


Plate Offsets (X,Y)-- [15:0-6-6,0-1-8], [27:0-1-8,0-2-0]

LOADING (psf)	SPACING-	CSI.	DEFL.	PLATES	GRIP
TCLL 20.0	2-0-0	TC 0.21	in (loc) l/defl L/d	MT20	244/190
TCDL 10.0	Plate Grip DOL 1.15	BC 0.47	Vert(LL) -0.17 15-17 >813 360		
BCLL 0.0 *	Lumber DOL 1.15	WB 0.24	Vert(CT) -0.34 15-17 >397 240		
BCDL 10.0	Rep Stress Incr YES	Matrix-S	Horz(CT) 0.02 17 n/a n/a		
	Code IRC2015/TPI2014		Wind(LL) 0.03 15-17 >999 240	Weight: 322 lb	FT = 20%

LUMBER-

TOP CHORD 2x6 SP No.1
 BOT CHORD 2x6 SP No.1
 WEBS 2x4 SP No.2 *Except*
 1-27,23-29,29-30,30-43,43-44: 2x6 SP No.1
 OTHERS 2x4 SP No.2

BRACING-

TOP CHORD Structural wood sheathing directly applied or 6-0-0 oc purlins, except end verticals.
 BOT CHORD Rigid ceiling directly applied or 10-0-0 oc bracing.
 WEBS 1 Row at midpt 9-20
 JOINTS 1 Brace at Jt(s): 30, 31, 32, 33, 38, 40

REACTIONS.

All bearings Mechanical except (jt=length) 15=0-3-8.
 (lb) - Max Horz 27=-307(LC 13)
 Max Uplift All uplift 100 lb or less at joint(s) except 27=-345(LC 12), 15=-348(LC 13), 17=-387(LC 13), 20=-181(LC 12)
 Max Grav All reactions 250 lb or less at joint(s) except 27=767(LC 1), 15=507(LC 1), 17=585(LC 1), 20=827(LC 19)

FORCES.

(lb) - Max. Comp./Max. Ten. - All forces 250 (lb) or less except when shown.
 TOP CHORD 1-2=-386/256, 2-3=-376/362, 3-5=-810/737, 5-6=-771/742, 6-7=-791/836, 7-8=-777/895, 8-9=-805/959, 9-10=-292/607, 10-11=-307/588, 11-12=-240/505, 12-14=-172/412, 14-15=-442/581, 1-27=-295/181
 BOT CHORD 26-27=-425/712, 25-26=-425/712, 24-25=-425/712, 23-24=-425/712, 22-23=-242/463, 15-17=-360/343
 WEBS 22-29=-154/289, 22-30=-127/467, 30-34=-414/598, 32-34=-501/656, 9-32=-534/709, 27-39=-521/364, 38-39=-519/353, 37-38=-524/364, 3-37=-604/418, 23-29=-205/333, 29-35=-184/323, 30-35=-263/392, 20-42=-278/170, 42-44=-278/170, 9-43=-528/190, 20-43=-510/147, 14-17=-421/452

NOTES-

- Unbalanced roof live loads have been considered for this design.
- Wind: ASCE 7-10; Vult=150mph Vasd=119mph; TCCL=6.0psf; BCDL=6.0psf; h=15ft; Cat. II; Exp C; Enclosed; MWFRS (envelope) gable end zone and C-C Exterior(2) zone; C-C for members and forces & MWFRS for reactions shown; Lumber DOL=1.60 plate grip DOL=1.60
- Truss designed for wind loads in the plane of the truss only. For studs exposed to wind (normal to the face), see Standard Industry Gable End Details as applicable, or consult qualified building designer as per ANSI/TPI 1.
- All plates are 2x4 MT20 unless otherwise indicated.
- Gable studs spaced at 2-0-0 oc.
- This truss has been designed for a 10.0 psf bottom chord live load nonconcurrent with any other live loads.
- * This truss has been designed for a live load of 30.0psf on the bottom chord in all areas where a rectangle 3-6-0 tall by 2-0-0 wide will fit between the bottom chord and any other members, with BCDL = 10.0psf.
- Refer to girder(s) for truss to truss connections.
- Provide mechanical connection (by others) of truss to bearing plate capable of withstanding 345 lb uplift at joint 27, 348 lb uplift at joint 15, 387 lb uplift at joint 17 and 181 lb uplift at joint 20.
- This truss is designed in accordance with the 2015 International Residential Code sections R502.11.1 and R802.10.2 and referenced standard ANSI/TPI 1.



August 3, 2021

WARNING - Verify design parameters and READ NOTES ON THIS AND INCLUDED MITEK REFERENCE PAGE MII-7473 rev. 5/19/2020 BEFORE USE.
 Design valid for use only with MiTek® connectors. This design is based only upon parameters shown, and is for an individual building component, not a truss system. Before use, the building designer must verify the applicability of design parameters and properly incorporate this design into the overall building design. Bracing indicated is to prevent buckling of individual truss web and/or chord members only. Additional temporary and permanent bracing is always required for stability and to prevent collapse with possible personal injury and property damage. For general guidance regarding the fabrication, storage, delivery, erection and bracing of trusses and truss systems, see ANSI/TPI1 Quality Criteria, DSB-89 and BCSI Building Component Safety Information available from Truss Plate Institute, 2670 Crain Highway, Suite 203 Waldorf, MD 20601



818 Soundside Road
 Edenton, NC 27932

Job J0721-4306	Truss B1	Truss Type COMMON	Qty 5	Ply 1	Lot 4 Cameron Rd. Job Reference (optional)	E16001306
-------------------	-------------	----------------------	----------	----------	---	-----------

Comtech, Inc. Fayetteville, NC - 28314.

8.430 s Jun 2 2021 MiTek Industries, Inc. Tue Aug 3 07:54:29 2021 Page 1

0-11-0 7-11-8 12-11-8 17-11-8 25-11-0 26-10-0
0-11-0 7-11-8 5-0-0 5-0-0 7-11-8 0-11-0

Scale = 1:53.3

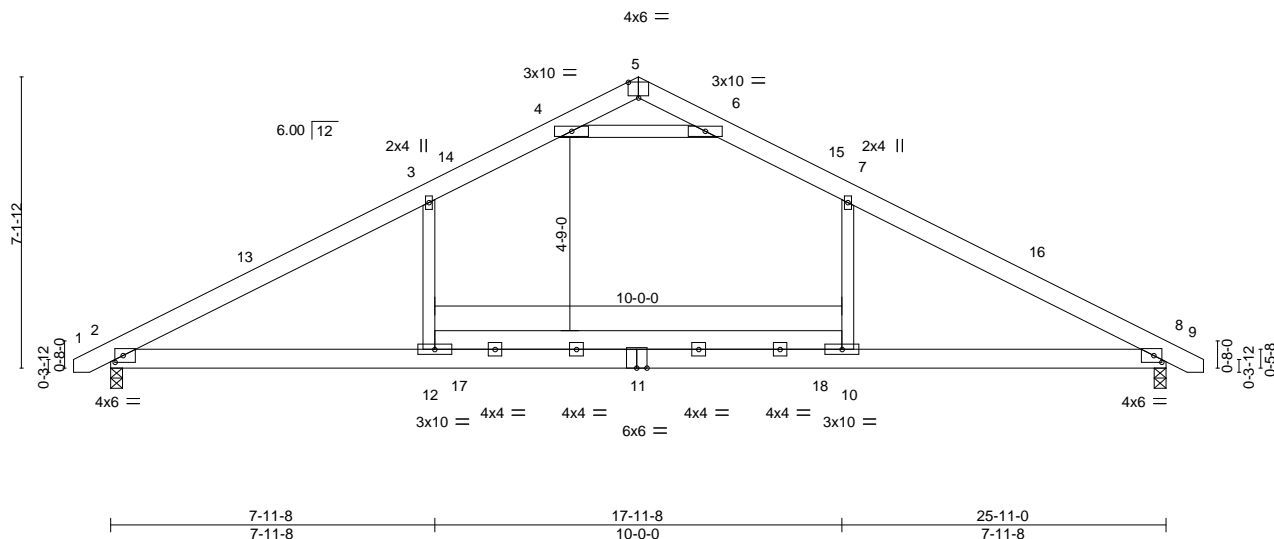


Plate Offsets (X,Y)-- [2:0-2-6,0-2-0], [5:0-3-0,Edge], [8:0-2-6,0-2-0]

LOADING (psf)	SPACING-	CSI.	DEFL.	PLATES	GRIP
TCLL 20.0	2-0-0	TC 0.85	in (loc) l/defl L/d	MT20	244/190
TCDL 10.0	Plate Grip DOL 1.15	BC 0.43	Vert(LL) -0.28 10-12 >999 360		
BCLL 0.0 *	Lumber DOL 1.15	WB 0.60	Vert(CT) -0.46 10-12 >663 240		
BCDL 10.0	Rep Stress Incr YES	Matrix-S	Horz(CT) 0.04 8 n/a n/a		
	Code IRC2015/TPI2014		Wind(LL) 0.23 2-12 >999 240	Weight: 174 lb	FT = 20%

LUMBER-

TOP CHORD 2x6 SP No.1
BOT CHORD 2x6 SP No.1
WEBS 2x4 SP No.2

BRACING-

TOP CHORD Structural wood sheathing directly applied or 4-4-14 oc purlins.
BOT CHORD Rigid ceiling directly applied or 10-0-0 oc bracing.

REACTIONS.

(size) 2=0-3-8, 8=0-3-8
Max Horz 2=119(LC 11)
Max Uplift 2=-203(LC 12), 8=-203(LC 13)
Max Grav 2=1140(LC 2), 8=1140(LC 2)

FORCES. (lb) - Max. Comp./Max. Ten. - All forces 250 (lb) or less except when shown.

TOP CHORD 2-3=-1772/588, 3-4=-1401/651, 4-5=-286/978, 5-6=-286/978, 6-7=-1401/651, 7-8=-1772/588
BOT CHORD 2-12=-347/1438, 10-12=-350/1438, 8-10=-347/1438
WEBS 3-12=0/497, 7-10=0/497, 4-6=-2532/1014

NOTES-

- Unbalanced roof live loads have been considered for this design.
- Wind: ASCE 7-10; Vult=150mph Vasd=119mph; TC DL=6.0psf; BCDL=6.0psf; h=15ft; Cat. II; Exp C; Enclosed; MWFRS (envelope) and C-C Exterior(2) -0-8-10 to 3-8-3, Interior(1) 3-8-3 to 12-11-8, Exterior(2) 12-11-8 to 17-4-5, Interior(1) 17-4-5 to 26-7-10 zone; C-C for members and forces & MWFRS for reactions shown; Lumber DOL=1.60 plate grip DOL=1.60
- This truss has been designed for a 10.0 psf bottom chord live load nonconcurrent with any other live loads.
- * This truss has been designed for a live load of 30.0psf on the bottom chord in all areas where a rectangle 3-6-0 tall by 2-0-0 wide will fit between the bottom chord and any other members, with BCDL = 10.0psf.
- Provide mechanical connection (by others) of truss to bearing plate capable of withstanding 203 lb uplift at joint 2 and 203 lb uplift at joint 8.
- This truss is designed in accordance with the 2015 International Residential Code sections R502.11.1 and R802.10.2 and referenced standard ANSI/TPI 1.
- See Standard Industry Piggyback Truss Connection Detail for Connection to base truss as applicable, or consult qualified building designer.



August 3, 2021

WARNING - Verify design parameters and READ NOTES ON THIS AND INCLUDED MITEK REFERENCE PAGE MII-7473 rev. 5/19/2020 BEFORE USE.
Design valid for use only with MiTek® connectors. This design is based only upon parameters shown, and is for an individual building component, not a truss system. Before use, the building designer must verify the applicability of design parameters and properly incorporate this design into the overall building design. Bracing indicated is to prevent buckling of individual truss web and/or chord members only. Additional temporary and permanent bracing is always required for stability and to prevent collapse with possible personal injury and property damage. For general guidance regarding the fabrication, storage, delivery, erection and bracing of trusses and truss systems, see **ANSI/TPI1 Quality Criteria, DSB-89 and BCSI Building Component Safety Information** available from Truss Plate Institute, 2670 Crain Highway, Suite 203 Waldorf, MD 20601



818 Soundside Road
Edenton, NC 27932

Job	Truss	Truss Type	Qty	Ply	Lot 4 Cameron Rd.	E16001307
J0721-4306	B1A	COMMON	1	1		

Comtech, Inc. Fayetteville, NC - 28314, 8.430 s Jun 2 2021 MiTek Industries, Inc. Tue Aug 3 07:54:30 2021 Page 1
 ID:14HRAT3eIT9qoRIdAoEs_5z0Axy-WRtHY?HoPwNM3EM?B9cPzdMTaygQeEEYiXNVikYrd5t
 -0-11-0 6-11-8 11-5-8 12-11-8 14-5-8 18-11-8 25-11-0 26-10-0
 0-11-0 6-11-8 4-6-0 1-6-0 1-6-0 4-6-0 6-11-8 0-11-0

Scale = 1:52.4

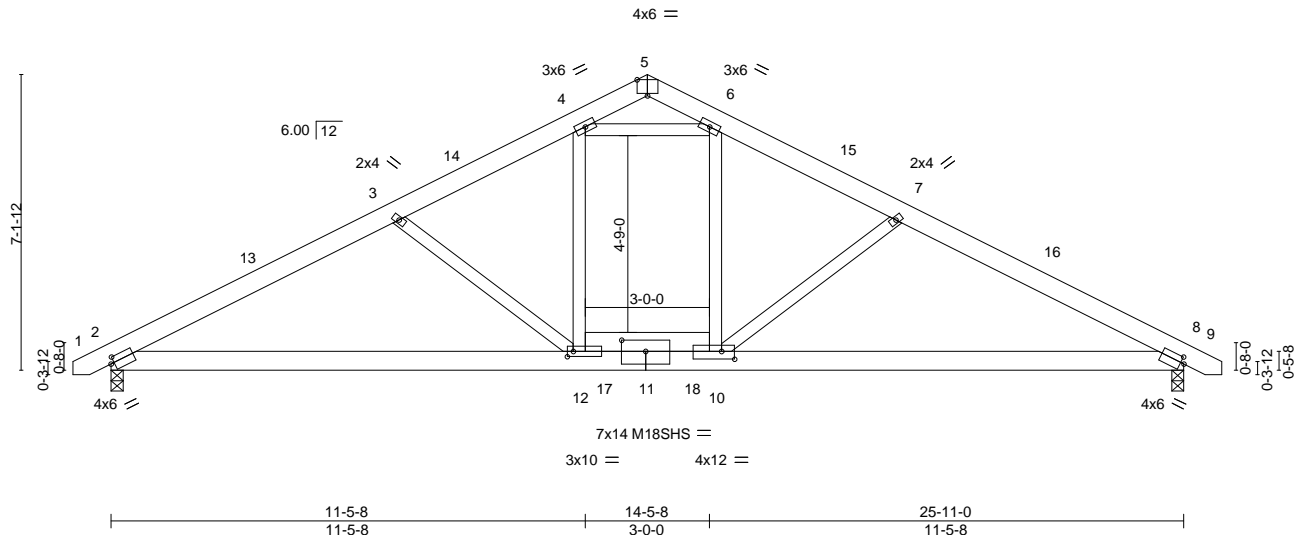


Plate Offsets (X,Y)-- [2:0-1-0,0-1-12], [5:0-3-0,Edge], [8:0-1-0,0-1-12], [10:0-3-12,0-2-4], [11:0-7-0,0-3-4], [12:0-1-12,0-1-8]

LOADING (psf)	SPACING-	CSI.	DEFL.	PLATES	GRIP
TCLL 20.0	2-0-0	TC 0.32	in (loc) l/defl L/d	MT20	244/190
TCDL 10.0	Plate Grip DOL 1.15	BC 0.64	Vert(LL) -0.11 2-12 >999 360	M18SHS	244/190
BCLL 0.0 *	Lumber DOL 1.15	WB 0.48	Vert(CT) -0.25 2-12 >999 240		
BCDL 10.0	Rep Stress Incr NO	Matrix-S	Horz(CT) 0.06 8 n/a n/a		
	Code IRC2015/TPI2014		Wind(LL) 0.13 2-12 >999 240		
				Weight: 177 lb	FT = 20%

LUMBER-
 TOP CHORD 2x6 SP No.1
 BOT CHORD 2x6 SP No.1
 WEBS 2x4 SP No.2

BRACING-
 TOP CHORD Structural wood sheathing directly applied or 4-0-0 oc purlins.
 BOT CHORD Rigid ceiling directly applied or 6-9-10 oc bracing.

REACTIONS. (size) 2=0-3-8, 8=0-3-8
 Max Horz 2=119(LC 11)
 Max Uplift 2=396(LC 12), 8=388(LC 13)
 Max Grav 2=1874(LC 1), 8=1840(LC 1)

FORCES. (lb) - Max. Comp./Max. Ten. - All forces 250 (lb) or less except when shown.
 TOP CHORD 2-3=-3348/1644, 3-4=-3043/1545, 4-5=-292/154, 5-6=-354/189, 6-7=-3015/1532, 7-8=-3289/1611
 BOT CHORD 2-12=-1309/2894, 10-12=-1071/2627, 8-10=-1284/2836
 WEBS 4-12=-594/1233, 6-10=-482/1041, 4-6=-2325/1271, 3-12=-377/306, 7-10=-304/265

- NOTES-**
- Unbalanced roof live loads have been considered for this design.
 - Wind: ASCE 7-10; Vult=150mph Vasd=119mph; TCCL=6.0psf; BCDL=6.0psf; h=15ft; Cat. II; Exp C; Enclosed; MWFRS (envelope) and C-C Exterior(2) -0-8-10 to 3-8-3, Interior(1) 3-8-3 to 12-11-8, Exterior(2) 12-11-8 to 17-4-5, Interior(1) 17-4-5 to 26-7-10 zone; C-C for members and forces & MWFRS for reactions shown; Lumber DOL=1.60 plate grip DOL=1.60
 - All plates are MT20 plates unless otherwise indicated.
 - This truss has been designed for a 10.0 psf bottom chord live load nonconcurrent with any other live loads.
 - * This truss has been designed for a live load of 30.0psf on the bottom chord in all areas where a rectangle 3-6-0 tall by 2-0-0 wide will fit between the bottom chord and any other members, with BCDL = 10.0psf.
 - Provide mechanical connection (by others) of truss to bearing plate capable of withstanding 396 lb uplift at joint 2 and 388 lb uplift at joint 8.
 - This truss is designed in accordance with the 2015 International Residential Code sections R502.11.1 and R802.10.2 and referenced standard ANSI/TPI 1.
 - See Standard Industry Piggyback Truss Connection Detail for Connection to base truss as applicable, or consult qualified building designer.
 - Hanger(s) or other connection device(s) shall be provided sufficient to support concentrated load(s) 985 lb down and 552 lb up at 11-10-12, and 575 lb down and 322 lb up at 14-0-4 on bottom chord. The design/selection of such connection device(s) is the responsibility of others.
 - In the LOAD CASE(S) section, loads applied to the face of the truss are noted as front (F) or back (B).

LOAD CASE(S) Standard
 1) Dead + Roof Live (balanced): Lumber Increase=1.15, Plate Increase=1.15
 Uniform Loads (plf)
 Vert: 1-5=-60, 5-9=-60, 2-8=-20



August 3, 2021

Continued on page 2

WARNING - Verify design parameters and READ NOTES ON THIS AND INCLUDED MITTEK REFERENCE PAGE MII-7473 rev. 5/19/2020 BEFORE USE.
 Design valid for use only with MiTek® connectors. This design is based only upon parameters shown, and is for an individual building component, not a truss system. Before use, the building designer must verify the applicability of design parameters and properly incorporate this design into the overall building design. Bracing indicated is to prevent buckling of individual truss web and/or chord members only. Additional temporary and permanent bracing is always required for stability and to prevent collapse with possible personal injury and property damage. For general guidance regarding the fabrication, storage, delivery, erection and bracing of trusses and truss systems, see **ANSI/TPI1 Quality Criteria, DSB-89 and BCSI Building Component Safety Information** available from Truss Plate Institute, 2670 Crain Highway, Suite 203 Waldorf, MD 20601



818 Soundside Road
 Edenton, NC 27932

Job	Truss	Truss Type	Qty	Ply	Lot 4 Cameron Rd.	E16001307
J0721-4306	B1A	COMMON	1	1	Job Reference (optional)	

Comtech, Inc, Fayetteville, NC - 28314,

8.430 s Jun 2 2021 MiTek Industries, Inc. Tue Aug 3 07:54:30 2021 Page 2
 ID:I4HRAT3eIT9qoRldAoEs_5z0Axy-WRtHY?HoPwNM3EM?B9cPzdMTayQeEEYiXNViKyrd5t

LOAD CASE(S) Standard
 Concentrated Loads (lb)
 Vert: 17=-985(B) 18=-575(B)

WARNING - Verify design parameters and READ NOTES ON THIS AND INCLUDED MITEK REFERENCE PAGE MII-7473 rev. 5/19/2020 BEFORE USE.
 Design valid for use only with MiTek® connectors. This design is based only upon parameters shown, and is for an individual building component, not a truss system. Before use, the building designer must verify the applicability of design parameters and properly incorporate this design into the overall building design. Bracing indicated is to prevent buckling of individual truss web and/or chord members only. Additional temporary and permanent bracing is always required for stability and to prevent collapse with possible personal injury and property damage. For general guidance regarding the fabrication, storage, delivery, erection and bracing of trusses and truss systems, see **ANSI/TPI1 Quality Criteria, DSB-89 and BCSI Building Component Safety Information** available from Truss Plate Institute, 2670 Crain Highway, Suite 203 Waldorf, MD 20601



818 Soundside Road
 Edenton, NC 27932

Job J0721-4306	Truss B1GE	Truss Type COMMON SUPPORTED GAB	Qty 1	Ply 1	Lot 4 Cameron Rd. Job Reference (optional)	E16001308
-------------------	---------------	------------------------------------	----------	----------	---	-----------

Comtech, Inc. Fayetteville, NC - 28314,

8.430 s Jun 2 2021 MiTek Industries, Inc. Tue Aug 3 07:54:31 2021 Page 1

0-11-0 13-10-8 26-10-0 27-9-0
0-11-0 12-11-8 12-11-8 0-11-0

Scale: 1/4"=1'

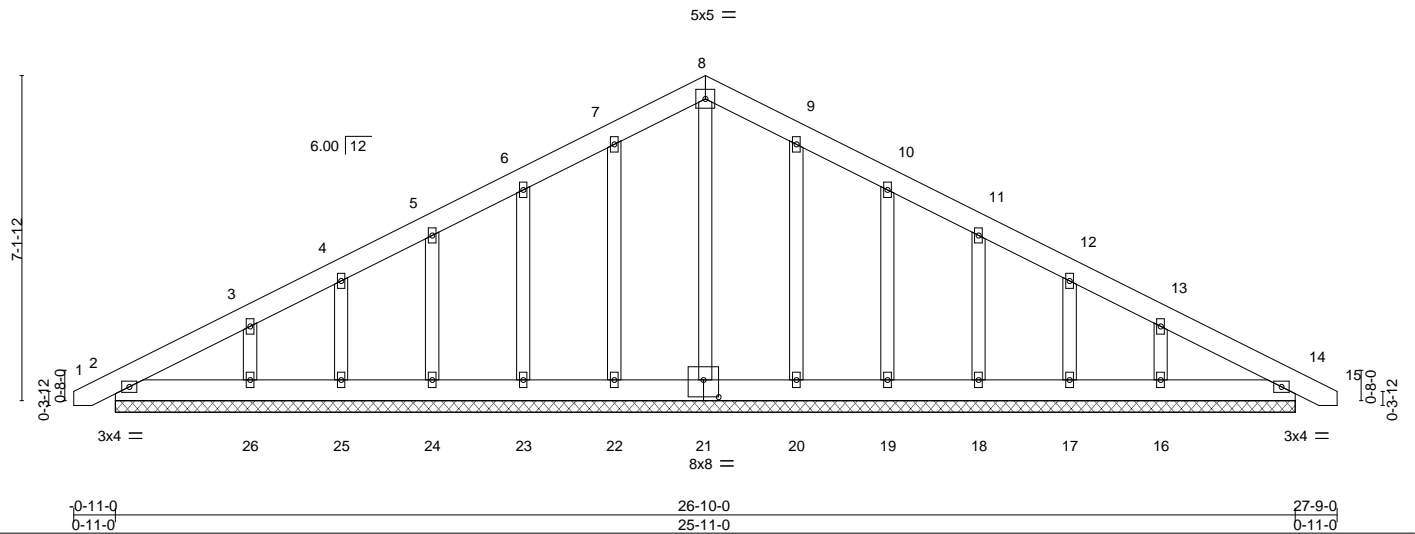


Plate Offsets (X,Y)-- [21:0-4-0,0-4-8]						
LOADING (psf)	SPACING-	CSI.	DEFL.	PLATES	GRIP	
TCLL 20.0	2-0-0	TC 0.04	in (loc) l/defl L/d	MT20	244/190	
TCDL 10.0	Plate Grip DOL 1.15	BC 0.03	Vert(LL) 0.00 14 n/r 120			
BCLL 0.0 *	Lumber DOL 1.15	WB 0.10	Vert(CT) 0.00 14 n/r 120			
BCDL 10.0	Rep Stress Incr YES	Matrix-S	Horz(CT) 0.00 14 n/a n/a			
	Code IRC2015/TPI2014					Weight: 191 lb FT = 20%

LUMBER-
TOP CHORD 2x6 SP No.1
BOT CHORD 2x6 SP No.1
OTHERS 2x4 SP No.2

BRACING-
TOP CHORD Structural wood sheathing directly applied or 6-0-0 oc purlins.
BOT CHORD Rigid ceiling directly applied or 10-0-0 oc bracing.

REACTIONS. All bearings 25-11-0.
(lb) - Max Horz 2=184(LC 16)
Max Uplift All uplift 100 lb or less at joint(s) 2, 22, 25, 20, 17, 14 except 23=115(LC 12), 24=-110(LC 12), 26=-171(LC 12), 19=-118(LC 13), 18=-109(LC 13), 16=-167(LC 13)
Max Grav All reactions 250 lb or less at joint(s) 2, 21, 22, 23, 24, 25, 26, 20, 19, 18, 17, 16, 14

FORCES. (lb) - Max. Comp./Max. Ten. - All forces 250 (lb) or less except when shown.
TOP CHORD 7-8=-120/304, 8-9=-120/303

- NOTES-**
- Unbalanced roof live loads have been considered for this design.
 - Wind: ASCE 7-10; Vult=150mph Vasd=119mph; TCDL=6.0psf; BCDL=6.0psf; h=15ft; Cat. II; Exp C; Enclosed; MWFRS (envelope) gable end zone and C-C Exterior(2) zone; C-C for members and forces & MWFRS for reactions shown; Lumber DOL=1.60 plate grip DOL=1.60
 - Truss designed for wind loads in the plane of the truss only. For studs exposed to wind (normal to the face), see Standard Industry Gable End Details as applicable, or consult qualified building designer as per ANSI/TPI 1.
 - All plates are 2x4 MT20 unless otherwise indicated.
 - Gable requires continuous bottom chord bearing.
 - Gable studs spaced at 2-0-0 oc.
 - This truss has been designed for a 10.0 psf bottom chord live load nonconcurrent with any other live loads.
 - * This truss has been designed for a live load of 30.0psf on the bottom chord in all areas where a rectangle 3-6-0 tall by 2-0-0 wide will fit between the bottom chord and any other members.
 - Provide mechanical connection (by others) of truss to bearing plate capable of withstanding 100 lb uplift at joint(s) 2, 22, 25, 20, 17, 14 except (jt=lb) 23=115, 24=110, 26=171, 19=118, 18=109, 16=167.
 - This truss is designed in accordance with the 2015 International Residential Code sections R502.11.1 and R802.10.2 and referenced standard ANSI/TPI 1.
 - See Standard Industry Piggyback Truss Connection Detail for Connection to base truss as applicable, or consult qualified building designer.



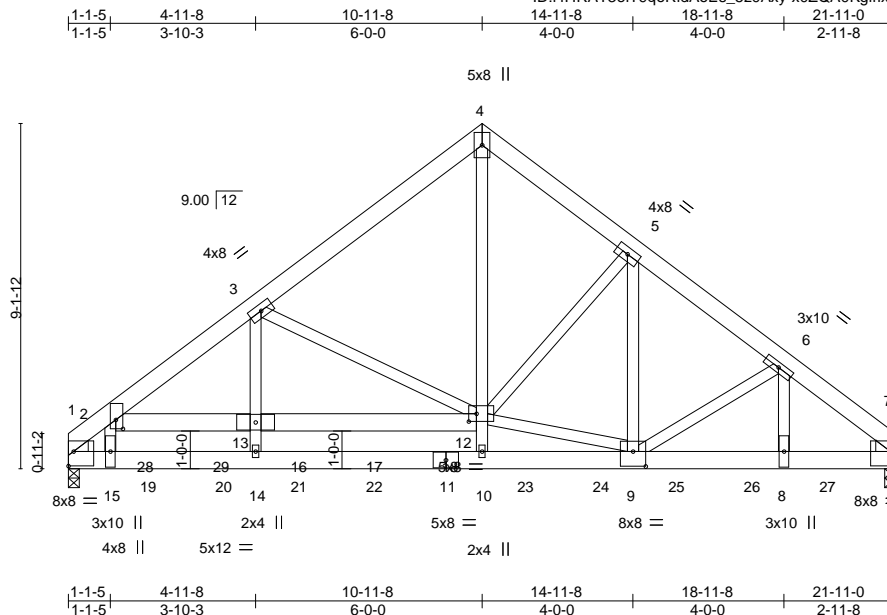
August 3, 2021

Job J0721-4306	Truss C1-GR	Truss Type Roof Special Girder	Qty 1	Ply 2	Lot 4 Cameron Rd. Job Reference (optional)	E16001309
-------------------	----------------	-----------------------------------	----------	----------	---	-----------

Comtech, Inc. Fayetteville, NC - 28314,

8.430 s Jun 2 2021 MiTek Industries, Inc. Tue Aug 3 07:54:33 2021 Page 1

ID:4HRAT3elT9qoRldAoEs_5z0Axy-x0ZQA0Kgirxxh5asHA6bF_rK9gerTG_OVb9Jfyrd5q



Scale = 1:57.5

Plate Offsets (X,Y)-- [1:Edge,0-4-10], [2:0-2-14,0-2-4], [7:Edge,0-4-10], [9:0-4-0,0-4-12], [12:0-2-8,0-2-8]

LOADING (psf)	SPACING-	CSI.	DEFL.	PLATES	GRIP
TCLL 20.0	2-0-0 Plate Grip DOL 1.15	TC 0.86	in (loc) l/defl L/d Vert(LL) -0.15 12-13 >999 360	MT20	244/190
TCDL 10.0	Lumber DOL 1.15	BC 0.73	Vert(CT) -0.31 12-13 >843 240		
BCLL 0.0 *	Rep Stress Incr NO	WB 0.91	Horz(CT) 0.05 7 n/a n/a		
BCDL 10.0	Code IRC2015/TP12014	Matrix-S	Wind(LL) 0.15 12-13 >999 240		
				Weight: 399 lb	FT = 20%

LUMBER-

TOP CHORD 2x6 SP No.1
 BOT CHORD 2x6 SP 2400F 2.0E
 WEBS 2x4 SP No.2
 WEDGE
 Left: 2x4 SP No.2 , Right: 2x4 SP No.2

BRACING-

TOP CHORD Structural wood sheathing directly applied or 4-11-9 oc purlins.
 BOT CHORD Rigid ceiling directly applied or 10-0-0 oc bracing.

REACTIONS.

(size) 1=0-3-8, 7=0-3-8
 Max Horz 1=275(LC 25)
 Max Uplift 1=1263(LC 8), 7=1390(LC 9)
 Max Grav 1=7583(LC 1), 7=7705(LC 2)

FORCES.

(lb) - Max. Comp./Max. Ten. - All forces 250 (lb) or less except when shown.
 TOP CHORD 1-2=-10129/1691, 2-3=-9954/1689, 3-4=-6372/1197, 4-5=-6163/1169, 5-6=-8950/1599,
 6-7=-10911/1947
 BOT CHORD 12-13=-199/1348, 1-15=-1112/6124, 14-15=-1112/6124, 10-14=-1192/6650,
 9-10=-1203/6789, 8-9=-1363/7919, 7-8=-1363/7919, 2-13=-266/1793
 WEBS 13-14=-158/1269, 3-13=-496/3482, 3-12=-3357/714, 5-9=-681/4032, 10-12=-123/1345,
 4-12=-1276/7071, 9-12=-232/708, 5-12=-3363/728, 2-15=-386/1995, 6-9=-955/322,
 6-8=-446/2474

NOTES-

- 2-ply truss to be connected together with 10d (0.131"x3") nails as follows:
 Top chords connected as follows: 2x6 - 2 rows staggered at 0-9-0 oc.
 Bottom chords connected as follows: 2x6 - 2 rows staggered at 0-5-0 oc.
 Webs connected as follows: 2x4 - 1 row at 0-9-0 oc.
- All loads are considered equally applied to all plies, except if noted as front (F) or back (B) face in the LOAD CASE(S) section. Ply to ply connections have been provided to distribute only loads noted as (F) or (B), unless otherwise indicated.
- Unbalanced roof live loads have been considered for this design.
- Wind: ASCE 7-10; Vult=150mph Vasd=119mph; TCDL=6.0psf; BCDL=6.0psf; h=15ft; Cat. II; Exp C; Enclosed; MWFRS (envelope); Lumber DOL=1.60 plate grip DOL=1.60
- This truss has been designed for a 10.0 psf bottom chord live load nonconcurrent with any other live loads.
- * This truss has been designed for a live load of 30.0psf on the bottom chord in all areas where a rectangle 3-6-0 tall by 2-0-0 wide will fit between the bottom chord and any other members.
- Provide mechanical connection (by others) of truss to bearing plate capable of withstanding 100 lb uplift at joint(s) except (jt=lb)



August 3, 2021

Continued on page 2

WARNING - Verify design parameters and READ NOTES ON THIS AND INCLUDED MITTEK REFERENCE PAGE MII-7473 rev. 5/19/2020 BEFORE USE.
 Design valid for use only with MiTek® connectors. This design is based only upon parameters shown, and is for an individual building component, not a truss system. Before use, the building designer must verify the applicability of design parameters and properly incorporate this design into the overall building design. Bracing indicated is to prevent buckling of individual truss web and/or chord members only. Additional temporary and permanent bracing is always required for stability and to prevent collapse with possible personal injury and property damage. For general guidance regarding the fabrication, storage, delivery, erection and bracing of trusses and truss systems, see **ANSI/TP11 Quality Criteria, DSB-89 and BCSI Building Component Safety Information** available from Truss Plate Institute, 2670 Crain Highway, Suite 203 Waldorf, MD 20601



818 Soundside Road
 Edenton, NC 27932

Job J0721-4306	Truss C1-GR	Truss Type Roof Special Girder	Qty 1	Ply 2	Lot 4 Cameron Rd. Job Reference (optional)	E16001309
-------------------	----------------	-----------------------------------	----------	-----------------	---	-----------

Comtech, Inc, Fayetteville, NC - 28314,

8.430 s Jun 2 2021 MiTek Industries, Inc. Tue Aug 3 07:54:33 2021 Page 2
ID:I4HRAT3eiT9qoRIdAoEs_5z0Axy-x0ZQA0Kgirlxxh5asHA6bF_rK9gerTG_OVb9Jfyrd5q

NOTES-

- 8) This truss is designed in accordance with the 2015 International Residential Code sections R502.11.1 and R802.10.2 and referenced standard ANSI/TPI 1.
9) Hanger(s) or other connection device(s) shall be provided sufficient to support concentrated load(s) 1313 lb down and 242 lb up at 2-0-12, 1318 lb down and 252 lb up at 4-0-12, 1318 lb down and 252 lb up at 6-0-12, 1318 lb down and 252 lb up at 8-0-12, 1318 lb down and 252 lb up at 10-0-12, 1505 lb down and 242 lb up at 12-0-12, 1505 lb down and 242 lb up at 14-0-12, 1505 lb down and 242 lb up at 16-0-12, and 2003 lb down and 393 lb up at 18-0-12, and 808 lb down and 202 lb up at 20-0-12 on bottom chord. The design/selection of such connection device(s) is the responsibility of others.

LOAD CASE(S) Standard

- 1) Dead + Roof Live (balanced): Lumber Increase=1.15, Plate Increase=1.15

Uniform Loads (plf)

Vert: 1-4=-60, 4-7=-60, 12-29=-20, 1-7=-20, 2-29=-20

Concentrated Loads (lb)

Vert: 16=-1318(B) 17=-1318(B) 18=-1318(B) 19=-1313(B) 20=-1318(B) 23=-1313(B) 24=-1313(B) 25=-1313(B) 26=-1934(B) 27=-739(B)

WARNING - Verify design parameters and READ NOTES ON THIS AND INCLUDED MITEK REFERENCE PAGE MII-7473 rev. 5/19/2020 BEFORE USE.

Design valid for use only with MiTek® connectors. This design is based only upon parameters shown, and is for an individual building component, not a truss system. Before use, the building designer must verify the applicability of design parameters and properly incorporate this design into the overall building design. Bracing indicated is to prevent buckling of individual truss web and/or chord members only. Additional temporary and permanent bracing is always required for stability and to prevent collapse with possible personal injury and property damage. For general guidance regarding the fabrication, storage, delivery, erection and bracing of trusses and truss systems, see **ANSI/TPI1 Quality Criteria, DSB-89 and BCSI Building Component Safety Information** available from Truss Plate Institute, 2670 Crain Highway, Suite 203 Waldorf, MD 20601

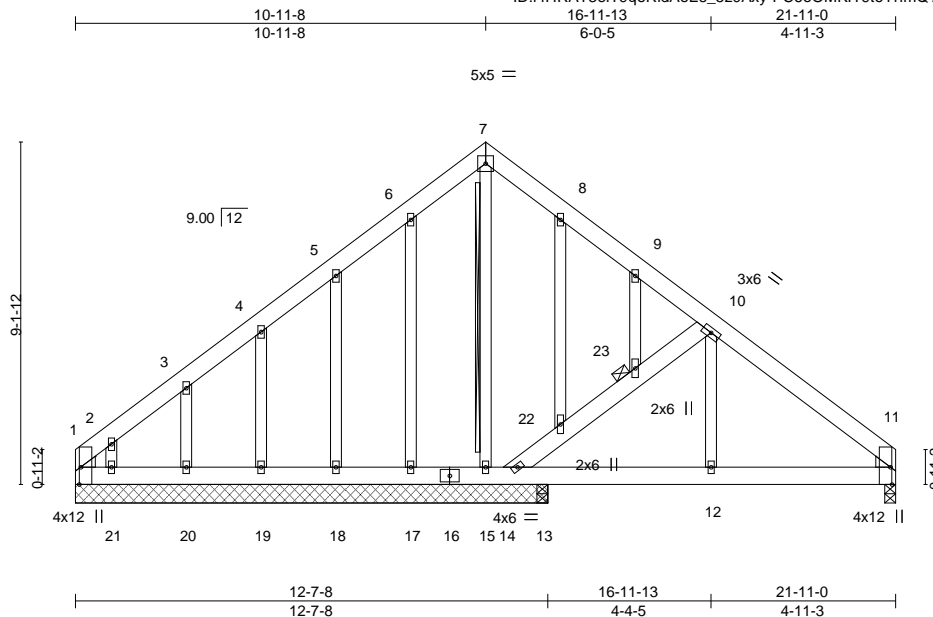


818 Soundside Road
Edenton, NC 27932

Job J0721-4306	Truss C1SG	Truss Type GABLE	Qty 1	Ply 1	Lot 4 Cameron Rd. Job Reference (optional)	E16001310
-------------------	---------------	---------------------	----------	----------	---	-----------

Comtech, Inc. Fayetteville, NC - 28314,

8,430 s Jun 2 2021 MiTek Industries, Inc. Tue Aug 3 07:54:34 2021 Page 1
ID:4HRAT3eIT9qoRIdAoEs_5z0Axy-PC6oOMKIT9toYrfmQ?hL8TXBPZATa7s8c9Ljr5yrd5p



Scale = 1:58.0

Plate Offsets (X,Y)-- [1:0-5-8,Edge], [11:0-5-8,Edge]

LOADING (psf)	SPACING-	2-0-0	CSI.	DEFL.	in (loc)	l/defl	L/d	PLATES	GRIP
TCLL 20.0	Plate Grip DOL	1.15	TC 0.14	Vert(LL)	-0.00 11-12	>999	360	MT20	244/190
TCDL 10.0	Lumber DOL	1.15	BC 0.12	Vert(CT)	-0.01 11-12	>999	240		
BCLL 0.0 *	Rep Stress Incr	YES	WB 0.12	Horz(CT)	0.00 11	n/a	n/a		
BCDL 10.0	Code IRC2015/TPI2014		Matrix-S	Wind(LL)	0.01 11-12	>999	240		
								Weight: 191 lb	FT = 20%

LUMBER-

TOP CHORD 2x6 SP No.1
 BOT CHORD 2x6 SP No.1
 WEBS 2x6 SP No.1 *Except*
 10-12: 2x4 SP No.2
 OTHERS 2x4 SP No.2
 WEDGE
 Left: 2x4 SP No.2 , Right: 2x4 SP No.2

BRACING-

TOP CHORD Structural wood sheathing directly applied or 6-0-0 oc purlins.
 BOT CHORD Rigid ceiling directly applied or 6-0-0 oc bracing. Except:
 10-0-0 oc bracing: 13-14,12-13,11-12.
 WEBS T-Brace: 2x4 SPF No.2 - 7-15
 Fasten (2X) T and I braces to narrow edge of web with 10d
 (0.131"x3") nails, 6in o.c.,with 3in minimum end distance.
 Brace must cover 90% of web length.
 JOINTS 1 Brace at Jt(s): 23

REACTIONS.

All bearings 12-7-8 except (jt=length) 11=0-3-8, 13=0-3-8.
 (lb) - Max Horz 1=-344(LC 8)
 Max Uplift All uplift 100 lb or less at joint(s) except 1=-222(LC 10), 11=-139(LC 13),
 14=-335(LC 13), 17=-108(LC 12), 18=-159(LC 12), 19=-144(LC 12), 20=-157(LC
 12), 21=-257(LC 12)
 Max Grav All reactions 250 lb or less at joint(s) 17, 18, 19, 20, 21, 13 except
 1=369(LC 12), 11=390(LC 1), 14=281(LC 20), 15=257(LC 1)

FORCES.

(lb) - Max. Comp./Max. Ten. - All forces 250 (lb) or less except when shown.
 TOP CHORD 1-2=-492/348, 2-3=-311/231, 10-11=-423/170
 BOT CHORD 1-21=-247/331, 20-21=-247/331, 19-20=-247/331, 18-19=-247/331, 17-18=-247/331,
 15-17=-247/331, 14-15=-247/331, 13-14=-12/279, 12-13=-12/279, 11-12=-12/279
 WEBS 14-22=-618/439, 22-23=-539/373, 10-23=-542/374, 2-21=-236/254

NOTES-

- Unbalanced roof live loads have been considered for this design.
- Wind: ASCE 7-10; Vult=150mph Vasd=119mph; TCDL=6.0psf; BCDL=6.0psf; h=15ft; Cat. II; Exp C; Enclosed; MWFRS (envelope) gable end zone and C-C Exterior(2) zone;C-C for members and forces & MWFRS for reactions shown; Lumber DOL=1.60 plate grip DOL=1.60
- Truss designed for wind loads in the plane of the truss only. For studs exposed to wind (normal to the face), see Standard Industry Gable End Details as applicable, or consult qualified building designer as per ANSI/TPI 1.
- All plates are 2x4 MT20 unless otherwise indicated.
- Gable studs spaced at 2-0-0 oc.
- This truss has been designed for a 10.0 psf bottom chord live load nonconcurrent with any other live loads.
- * This truss has been designed for a live load of 30.0psf on the bottom chord in all areas where a rectangle 3-6-0 tall by 2-0-0 wide will fit between the bottom chord and any other members.
- Provide mechanical connection (by others) of truss to bearing plate capable of withstanding 222 lb uplift at joint 1, 139 lb uplift at joint 11, 335 lb uplift at joint 14, 108 lb uplift at joint 17, 159 lb uplift at joint 18, 144 lb uplift at joint 19, 157 lb uplift at joint 20 and 257 lb uplift at joint 21.
- This truss is designed in accordance with the 2015 International Residential Code sections R502.11.1 and R802.10.2 and referenced standard ANSI/TPI 1.
- Warning: Additional permanent and stability bracing for truss system (not part of this component design) is always required.



August 3,2021

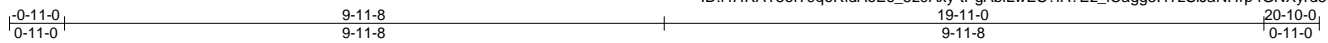
WARNING - Verify design parameters and READ NOTES ON THIS AND INCLUDED MITEK REFERENCE PAGE MII-7473 rev. 5/19/2020 BEFORE USE.
 Design valid for use only with MiTek® connectors. This design is based only upon parameters shown, and is for an individual building component, not a truss system. Before use, the building designer must verify the applicability of design parameters and properly incorporate this design into the overall building design. Bracing indicated is to prevent buckling of individual truss web and/or chord members only. Additional temporary and permanent bracing is always required for stability and to prevent collapse with possible personal injury and property damage. For general guidance regarding the fabrication, storage, delivery, erection and bracing of trusses and truss systems, see ANSI/TPI1 Quality Criteria, DSB-89 and BCSI Building Component Safety Information available from Truss Plate Institute, 2670 Crain Highway, Suite 203 Waldorf, MD 20601



Job	Truss	Truss Type	Qty	Ply	Lot 4 Cameron Rd.	E16001311
J0721-4306	D1	COMMON	5	1		

Comtech, Inc. Fayetteville, NC - 28314,

8.430 s Jun 2 2021 MiTek Industries, Inc. Tue Aug 3 07:54:35 2021 Page 1



Scale = 1:36.0

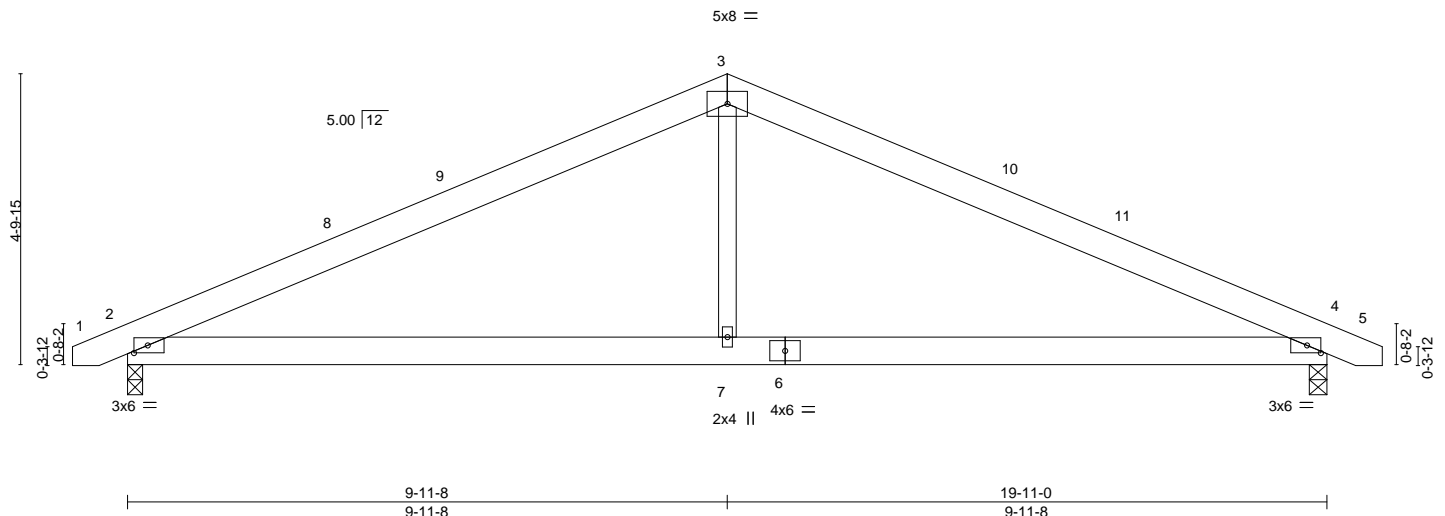


Plate Offsets (X,Y)--	[2:0-2-12,0-1-8], [4:0-2-12,0-1-8]
-----------------------	------------------------------------

LOADING (psf)	SPACING-	CSI.	DEFL.	in (loc)	l/defl	L/d	PLATES	GRIP
TCLL 20.0	2-0-0	TC 0.50	Vert(LL) -0.05	2-7	>999	360	MT20	244/190
TCDL 10.0	Plate Grip DOL 1.15	BC 0.37	Vert(CT) -0.13	2-7	>999	240		
BCLL 0.0 *	Lumber DOL 1.15	WB 0.11	Horz(CT) 0.02	4	n/a	n/a		
BCDL 10.0	Rep Stress Incr YES	Matrix-S	Wind(LL) 0.05	2-7	>999	240	Weight: 108 lb	FT = 20%
	Code IRC2015/TPI2014							

LUMBER-
 TOP CHORD 2x6 SP No.1
 BOT CHORD 2x6 SP No.1
 WEBS 2x4 SP No.2

BRACING-
 TOP CHORD Structural wood sheathing directly applied or 5-10-8 oc purlins.
 BOT CHORD Rigid ceiling directly applied or 10-0-0 oc bracing.

REACTIONS. (size) 4=0-3-8, 2=0-3-0
 Max Horz 2=-71(LC 17)
 Max Uplift 4=-163(LC 13), 2=-162(LC 12)
 Max Grav 4=836(LC 1), 2=835(LC 1)

FORCES. (lb) - Max. Comp./Max. Ten. - All forces 250 (lb) or less except when shown.
 TOP CHORD 2-3=-1239/498, 3-4=-1240/498
 BOT CHORD 2-7=-293/1030, 4-7=-293/1030
 WEBS 3-7=0/477

- NOTES-**
- Unbalanced roof live loads have been considered for this design.
 - Wind: ASCE 7-10; Vult=150mph Vasd=119mph; TC DL=6.0psf; BCDL=6.0psf; h=15ft; Cat. II; Exp C; Enclosed; MWFRS (envelope) and C-C Exterior(2) -0-8-6 to 3-8-7, Interior(1) 3-8-7 to 9-11-8, Exterior(2) 9-11-8 to 14-4-5, Interior(1) 14-4-5 to 20-7-6 zone; C-C for members and forces & MWFRS for reactions shown; Lumber DOL=1.60 plate grip DOL=1.60
 - This truss has been designed for a 10.0 psf bottom chord live load nonconcurrent with any other live loads.
 - * This truss has been designed for a live load of 30.0psf on the bottom chord in all areas where a rectangle 3-6-0 tall by 2-0-0 wide will fit between the bottom chord and any other members.
 - Provide mechanical connection (by others) of truss to bearing plate capable of withstanding 163 lb uplift at joint 4 and 162 lb uplift at joint 2.
 - This truss is designed in accordance with the 2015 International Residential Code sections R502.11.1 and R802.10.2 and referenced standard ANSI/TPI 1.



August 3, 2021

WARNING - Verify design parameters and READ NOTES ON THIS AND INCLUDED MITEK REFERENCE PAGE MII-7473 rev. 5/19/2020 BEFORE USE.
 Design valid for use only with MiTek® connectors. This design is based only upon parameters shown, and is for an individual building component, not a truss system. Before use, the building designer must verify the applicability of design parameters and properly incorporate this design into the overall building design. Bracing indicated is to prevent buckling of individual truss web and/or chord members only. Additional temporary and permanent bracing is always required for stability and to prevent collapse with possible personal injury and property damage. For general guidance regarding the fabrication, storage, delivery, erection and bracing of trusses and truss systems, see **ANSI/TPI1 Quality Criteria, DSB-89 and BCSI Building Component Safety Information** available from Truss Plate Institute, 2670 Crain Highway, Suite 203 Waldorf, MD 20601

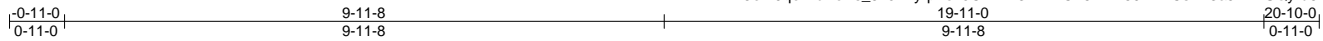
818 Soundside Road
Edenton, NC 27932

Job J0721-4306	Truss D1GE	Truss Type GABLE	Qty 1	Ply 1	Lot 4 Cameron Rd. Job Reference (optional)	E16001312
-------------------	---------------	---------------------	----------	----------	---	-----------

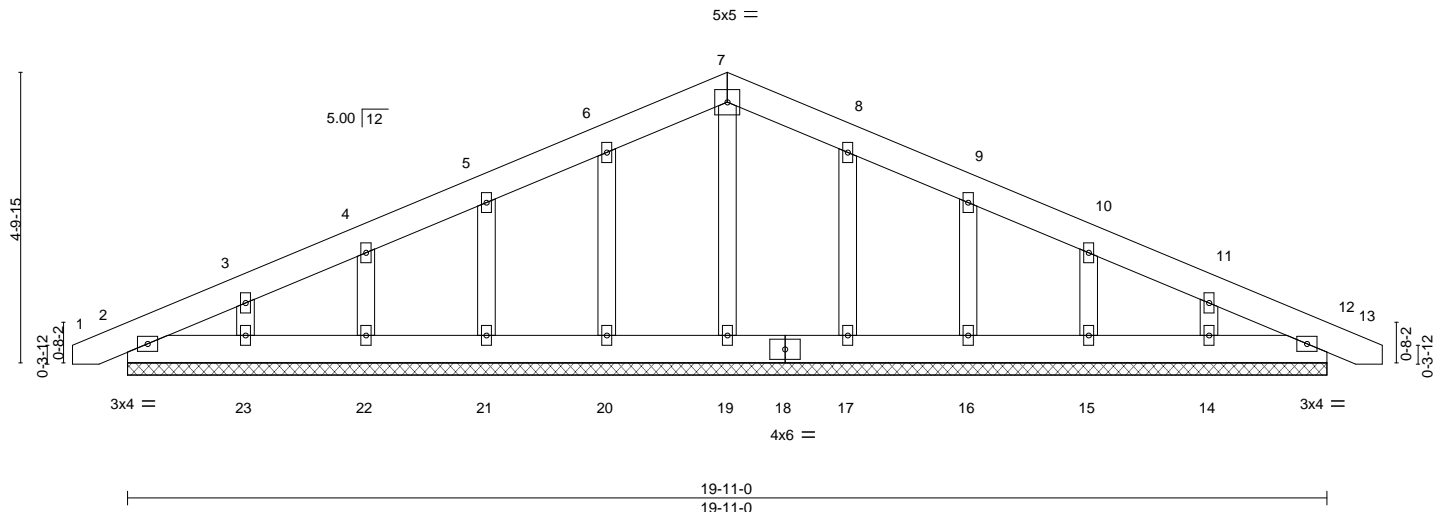
Comtech, Inc. Fayetteville, NC - 28314,

8.430 s Jun 2 2021 MiTek Industries, Inc. Tue Aug 3 07:54:37 2021 Page 1

ID:14HRAT3eIT9qRIdAoEs_5z0Axy-pnox0ONBm3FNPIOL57E2i59kMnCsNv3aJ7ZNSQyrd5m



Scale = 1:36.0



LOADING (psf)	SPACING-	CSI.	DEFL.	PLATES	GRIP
TCLL 20.0	2-0-0	TC 0.03	in (loc) l/defl L/d	MT20	244/190
TCDL 10.0	Plate Grip DOL 1.15	BC 0.01	Vert(LL) 0.00 12 n/r 120		
BCLL 0.0 *	Lumber DOL 1.15	WB 0.03	Vert(CT) 0.00 12 n/r 120		
BCDL 10.0	Rep Stress Incr YES	Matrix-S	Horz(CT) 0.00 12 n/a n/a		
	Code IRC2015/TPI2014			Weight: 130 lb	FT = 20%

LUMBER-
TOP CHORD 2x6 SP No.1
BOT CHORD 2x6 SP No.1
OTHERS 2x4 SP No.2

BRACING-
TOP CHORD Structural wood sheathing directly applied or 6-0-0 oc purlins.
BOT CHORD Rigid ceiling directly applied or 10-0-0 oc bracing.

REACTIONS. All bearings 19-11-0.
(lb) - Max Horz 2=-120(LC 13)
Max Uplift All uplift 100 lb or less at joint(s) 12, 2, 20, 22, 17, 15 except 21=-102(LC 12), 23=-116(LC 12), 16=-103(LC 13), 14=-112(LC 13)
Max Grav All reactions 250 lb or less at joint(s) 12, 2, 19, 20, 21, 22, 23, 17, 16, 15, 14

FORCES. (lb) - Max. Comp./Max. Ten. - All forces 250 (lb) or less except when shown.

NOTES-

- Unbalanced roof live loads have been considered for this design.
- Wind: ASCE 7-10; Vult=150mph Vasd=119mph; TCCL=6.0psf; BCDL=6.0psf; h=15ft; Cat. II; Exp C; Enclosed; MWFRS (envelope) gable end zone and C-C Exterior(2) zone; C-C for members and forces & MWFRS for reactions shown; Lumber DOL=1.60 plate grip DOL=1.60
- Truss designed for wind loads in the plane of the truss only. For studs exposed to wind (normal to the face), see Standard Industry Gable End Details as applicable, or consult qualified building designer as per ANSI/TPI 1.
- All plates are 2x4 MT20 unless otherwise indicated.
- Gable requires continuous bottom chord bearing.
- Gable studs spaced at 2-0-0 oc.
- This truss has been designed for a 10.0 psf bottom chord live load nonconcurrent with any other live loads.
- * This truss has been designed for a live load of 30.0psf on the bottom chord in all areas where a rectangle 3-6-0 tall by 2-0-0 wide will fit between the bottom chord and any other members.
- Provide mechanical connection (by others) of truss to bearing plate capable of withstanding 100 lb uplift at joint(s) 12, 2, 20, 22, 17, 15 except (jt=lb) 21=102, 23=116, 16=103, 14=112.
- This truss is designed in accordance with the 2015 International Residential Code sections R502.11.1 and R802.10.2 and referenced standard ANSI/TPI 1.



August 3, 2021

WARNING - Verify design parameters and READ NOTES ON THIS AND INCLUDED MITTEK REFERENCE PAGE MII-7473 rev. 5/19/2020 BEFORE USE.
Design valid for use only with MiTek® connectors. This design is based only upon parameters shown, and is for an individual building component, not a truss system. Before use, the building designer must verify the applicability of design parameters and properly incorporate this design into the overall building design. Bracing indicated is to prevent buckling of individual truss web and/or chord members only. Additional temporary and permanent bracing is always required for stability and to prevent collapse with possible personal injury and property damage. For general guidance regarding the fabrication, storage, delivery, erection and bracing of trusses and truss systems, see **ANSI/TPI1 Quality Criteria, DSB-89 and BCSI Building Component Safety Information** available from Truss Plate Institute, 2670 Crain Highway, Suite 203 Waldorf, MD 20601



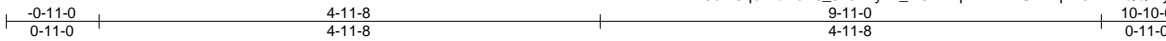
818 Soundside Road
Edenton, NC 27932

Job J0721-4306	Truss G1	Truss Type COMMON	Qty 4	Ply 1	Lot 4 Cameron Rd. Job Reference (optional)	E16001313
-------------------	-------------	----------------------	----------	----------	---	-----------

Comtech, Inc., Fayetteville, NC - 28314,

8,430 s Jun 2 2021 MiTek Industries, Inc. Tue Aug 3 07:54:38 2021 Page 1

ID:I4HRAT3eIT9qoRIdAoEs_5z0Axy-H_MJdKnpXNNE1SzYfqlHJhr2AQQWyyjXnJw_syrd5I



Scale = 1:21.5

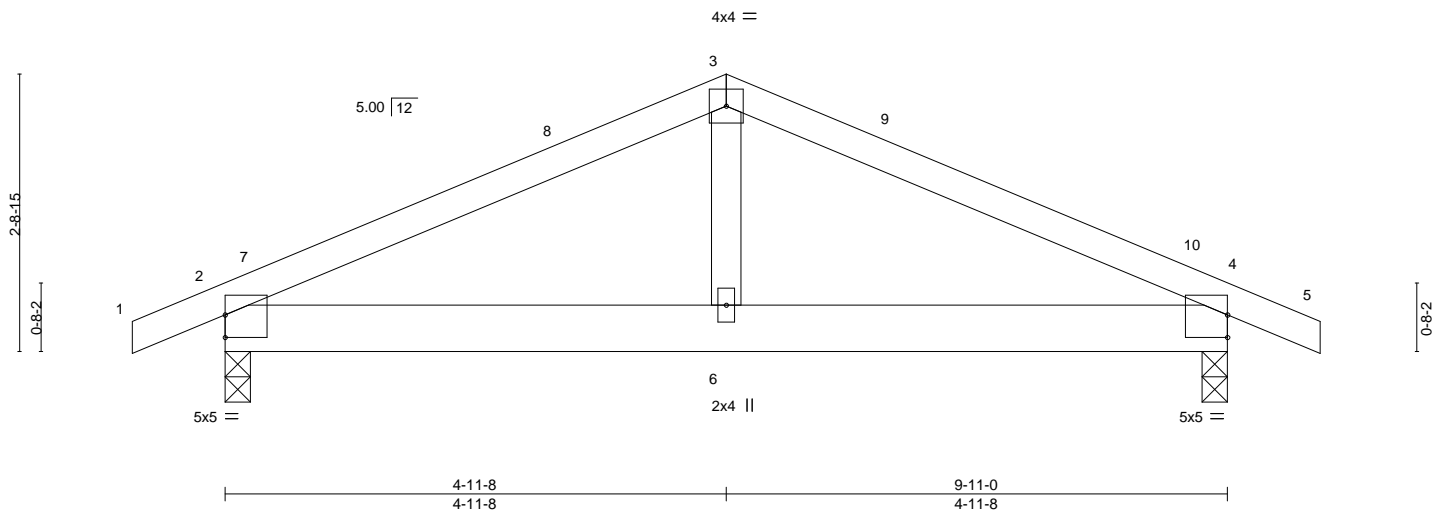


Plate Offsets (X,Y)-- [2:0-0-0,0-2-11], [4:Edge,0-2-11]

LOADING (psf)	SPACING-	CSI.	DEFL.	PLATES	GRIP
TCLL 20.0	2-0-0	TC 0.29	in (loc) l/defl L/d	MT20	244/190
TCDL 10.0	Plate Grip DOL 1.15	BC 0.57	Vert(LL) 0.03 2-6 >999 240		
BCLL 0.0 *	Lumber DOL 1.15	WB 0.05	Vert(CT) -0.01 4-6 >999 240		
BCDL 10.0	Rep Stress Incr YES	Matrix-S	Horz(CT) -0.00 4 n/a n/a		
	Code IRC2015/TPI2014			Weight: 45 lb	FT = 20%

LUMBER-
TOP CHORD 2x4 SP No.1
BOT CHORD 2x6 SP No.1
WEBS 2x4 SP No.2

BRACING-
TOP CHORD Structural wood sheathing directly applied or 6-0-0 oc purlins.
BOT CHORD Rigid ceiling directly applied or 9-2-9 oc bracing.

REACTIONS. (size) 2=0-3-0, 4=0-3-0
Max Horz 2=-39(LC 17)
Max Uplift 2=-225(LC 8), 4=-225(LC 9)
Max Grav 2=449(LC 1), 4=449(LC 1)

FORCES. (lb) - Max. Comp./Max. Ten. - All forces 250 (lb) or less except when shown.
TOP CHORD 2-3=-554/872, 3-4=-554/872
BOT CHORD 2-6=-667/437, 4-6=-667/437
WEBS 3-6=-461/239

NOTES-

- Unbalanced roof live loads have been considered for this design.
- Wind: ASCE 7-10; Vult=150mph Vasd=119mph; TC DL=6.0psf; BCDL=6.0psf; h=15ft; Cat. II; Exp C; Enclosed; MWFRS (envelope) and C-C Exterior(2) -0-11-0 to 3-5-13, Interior(1) 3-5-13 to 4-11-8, Exterior(2) 4-11-8 to 9-4-5, Interior(1) 9-4-5 to 10-10-0 zone; porch left and right exposed; C-C for members and forces & MWFRS for reactions shown; Lumber DOL=1.60 plate grip DOL=1.60
- This truss has been designed for a 10.0 psf bottom chord live load nonconcurrent with any other live loads.
- * This truss has been designed for a live load of 30.0psf on the bottom chord in all areas where a rectangle 3-6-0 tall by 2-0-0 wide will fit between the bottom chord and any other members.
- Provide mechanical connection (by others) of truss to bearing plate capable of withstanding 100 lb uplift at joint(s) except (jt=lb) 2=225, 4=225.
- This truss is designed in accordance with the 2015 International Residential Code sections R502.11.1 and R802.10.2 and referenced standard ANSI/TPI 1.



August 3, 2021

WARNING - Verify design parameters and READ NOTES ON THIS AND INCLUDED MITEK REFERENCE PAGE MII-7473 rev. 5/19/2020 BEFORE USE.
Design valid for use only with MiTek® connectors. This design is based only upon parameters shown, and is for an individual building component, not a truss system. Before use, the building designer must verify the applicability of design parameters and properly incorporate this design into the overall building design. Bracing indicated is to prevent buckling of individual truss web and/or chord members only. Additional temporary and permanent bracing is always required for stability and to prevent collapse with possible personal injury and property damage. For general guidance regarding the fabrication, storage, delivery, erection and bracing of trusses and truss systems, see **ANSI/TPI1 Quality Criteria, DSB-89 and BCSI Building Component Safety Information** available from Truss Plate Institute, 2670 Crain Highway, Suite 203 Waldorf, MD 20601

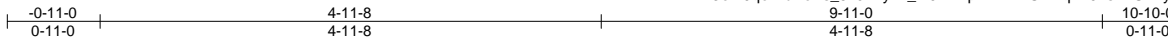


818 Soundside Road
Edenton, NC 27932

Job J0721-4306	Truss G1GE	Truss Type GABLE	Qty 1	Ply 1	Lot 4 Cameron Rd. Job Reference (optional)	E16001314
-------------------	---------------	---------------------	----------	----------	---	-----------

Comtech, Inc. Fayetteville, NC - 28314,

8,430 s Jun 2 2021 MiTek Industries, Inc. Tue Aug 3 07:54:38 2021 Page 1



Scale = 1:21.5

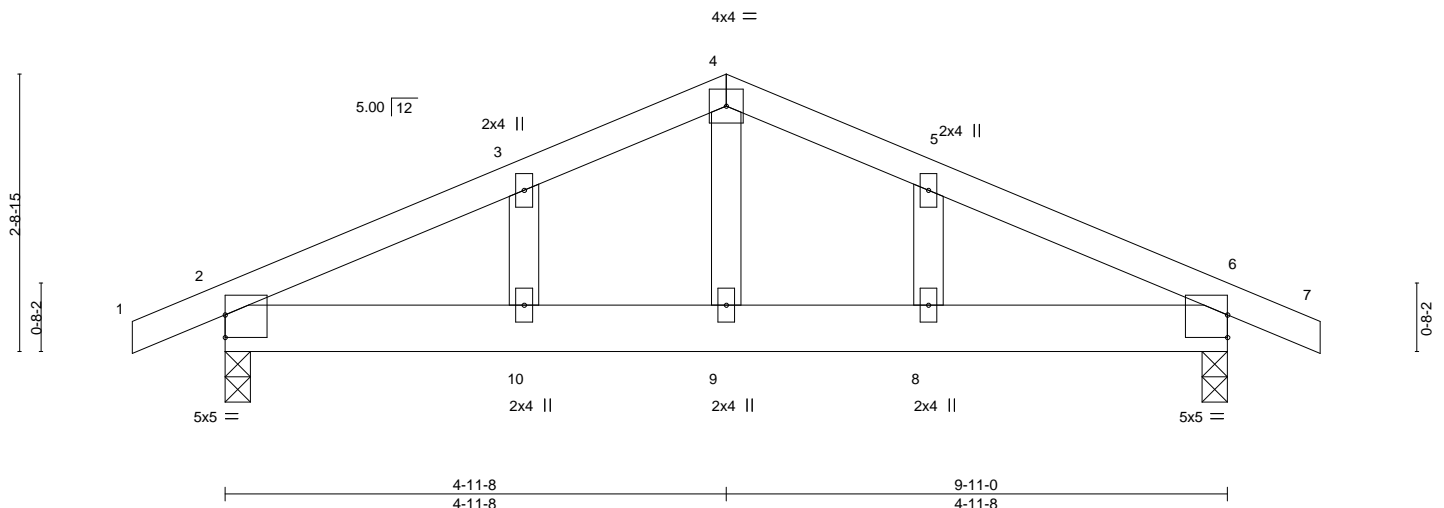


Plate Offsets (X,Y)-- [2:0-0-0,0-2-11], [6:Edge,0-2-11]

LOADING (psf)	SPACING-	CSI.	DEFL.	in (loc)	l/defl	L/d	PLATES	GRIP
TCLL 20.0	Plate Grip DOL 2-0-0 1.15	TC 0.23	Vert(LL) -0.01	8	>999	360	MT20	244/190
TCDL 10.0	Lumber DOL 1.15	BC 0.42	Vert(CT) -0.02	8	>999	240		
BCLL 0.0 *	Rep Stress Incr YES	WB 0.06	Horz(CT) -0.01	6	n/a	n/a		
BCDL 10.0	Code IRC2015/TPI2014	Matrix-S	Wind(LL) 0.02	8	>999	240	Weight: 49 lb	FT = 20%

LUMBER-	BRACING-
TOP CHORD 2x4 SP No.1	TOP CHORD Structural wood sheathing directly applied or 6-0-0 oc purlins.
BOT CHORD 2x6 SP No.1	BOT CHORD Rigid ceiling directly applied or 9-1-14 oc bracing.
WEBS 2x4 SP No.2	
OTHERS 2x4 SP No.2	


REACTIONS. (size) 2=0-3-0, 6=0-3-0
 Max Horz 2=66(LC 13)
 Max Uplift 2=297(LC 8), 6=297(LC 9)
 Max Grav 2=449(LC 1), 6=449(LC 1)

FORCES. (lb) - Max. Comp./Max. Ten. - All forces 250 (lb) or less except when shown.
 TOP CHORD 2-3=-541/873, 3-4=-494/920, 4-5=-494/920, 5-6=-541/873
 BOT CHORD 2-10=-688/437, 9-10=-688/437, 8-9=-688/437, 6-8=-688/437
 WEBS 4-9=-534/232

- NOTES-**
- Unbalanced roof live loads have been considered for this design.
 - Wind: ASCE 7-10; Vult=150mph Vasd=119mph; TCCL=6.0psf; BCCL=6.0psf; h=15ft; Cat. II; Exp C; Enclosed; MWFRS (envelope) gable end zone and C-C Exterior(2) zone; porch left and right exposed;C-C for members and forces & MWFRS for reactions shown; Lumber DOL=1.60 plate grip DOL=1.60
 - Truss designed for wind loads in the plane of the truss only. For studs exposed to wind (normal to the face), see Standard Industry Gable End Details as applicable, or consult qualified building designer as per ANSI/TPI 1.
 - Gable studs spaced at 2-0-0 oc.
 - This truss has been designed for a 10.0 psf bottom chord live load nonconcurrent with any other live loads.
 - * This truss has been designed for a live load of 30.0psf on the bottom chord in all areas where a rectangle 3-6-0 tall by 2-0-0 wide will fit between the bottom chord and any other members.
 - Provide mechanical connection (by others) of truss to bearing plate capable of withstanding 100 lb uplift at joint(s) except (jt=lb) 2=297, 6=297.
 - This truss is designed in accordance with the 2015 International Residential Code sections R502.11.1 and R802.10.2 and referenced standard ANSI/TPI 1.



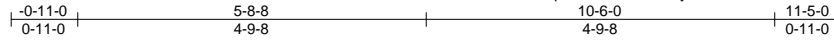
August 3, 2021

<p>WARNING - Verify design parameters and READ NOTES ON THIS AND INCLUDED MITTEK REFERENCE PAGE MII-7473 rev. 5/19/2020 BEFORE USE. Design valid for use only with MiTek® connectors. This design is based only upon parameters shown, and is for an individual building component, not a truss system. Before use, the building designer must verify the applicability of design parameters and properly incorporate this design into the overall building design. Bracing indicated is to prevent buckling of individual truss web and/or chord members only. Additional temporary and permanent bracing is always required for stability and to prevent collapse with possible personal injury and property damage. For general guidance regarding the fabrication, storage, delivery, erection and bracing of trusses and truss systems, see ANSI/TPI1 Quality Criteria, DSB-89 and BCSI Building Component Safety Information available from Truss Plate Institute, 2670 Crain Highway, Suite 203 Waldorf, MD 20601</p>	 818 Soundside Road Edenton, NC 27932
---	--

Job J0721-4306	Truss H1GE	Truss Type COMMON SUPPORTED GAB	Qty 1	Ply 1	Lot 4 Cameron Rd. Job Reference (optional)	E16001315
-------------------	---------------	------------------------------------	----------	----------	---	-----------

Comtech, Inc, Fayetteville, NC - 28314,

8,430 s Jun 2 2021 MiTek Industries, Inc. Tue Aug 3 07:54:39 2021 Page 1
ID:I4HRAT3eIT9qoRldAoEs_5z0Axy-IAwhR4ORlhV4fcYkDYHWrWE4jau4FPNtmR2UWJyrd5k



Scale = 1:29.8

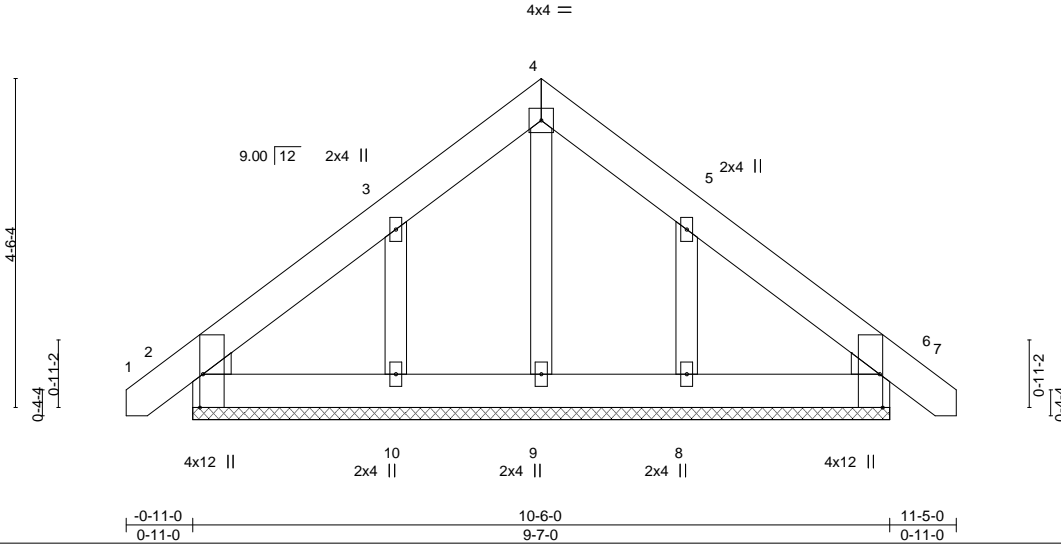


Plate Offsets (X,Y)-- [2:0-5-8,Edge], [6:0-5-8,Edge]

LOADING (psf)	SPACING-	CSI.	DEFL.	PLATES	GRIP
TCLL 20.0	2-0-0	TC 0.04	in (loc) l/defl L/d	MT20	244/190
TCDL 10.0	Plate Grip DOL 1.15	BC 0.03	Vert(LL) 0.00 6 n/r 120		
BCLL 0.0 *	Lumber DOL 1.15	WB 0.04	Vert(CT) 0.00 6 n/r 120		
BCDL 10.0	Rep Stress Incr YES	Matrix-S	Horz(CT) 0.00 6 n/a n/a		
	Code IRC2015/TPI2014			Weight: 69 lb	FT = 20%

LUMBER-
TOP CHORD 2x6 SP No.1
BOT CHORD 2x6 SP No.1
OTHERS 2x4 SP No.2
WEDGE
Left: 2x4 SP No.2 , Right: 2x4 SP No.2

BRACING-
TOP CHORD Structural wood sheathing directly applied or 6-0-0 oc purlins.
BOT CHORD Rigid ceiling directly applied or 10-0-0 oc bracing.

REACTIONS. All bearings 9-7-0.
(lb) - Max Horz 2=166(LC 11)
Max Uplift All uplift 100 lb or less at joint(s) 2, 6 except 10=229(LC 12), 8=223(LC 13)
Max Grav All reactions 250 lb or less at joint(s) 2, 6, 9 except 10=283(LC 19), 8=277(LC 20)

FORCES. (lb) - Max. Comp./Max. Ten. - All forces 250 (lb) or less except when shown.
WEBS 3-10=279/241, 5-8=280/237

- NOTES-**
- Unbalanced roof live loads have been considered for this design.
 - Wind: ASCE 7-10; Vult=150mph Vasd=119mph; TCCL=6.0psf; BCCL=6.0psf; h=15ft; Cat. II; Exp C; Enclosed; MWFRS (envelope) gable end zone and C-C Exterior(2) zone;C-C for members and forces & MWFRS for reactions shown; Lumber DOL=1.60 plate grip DOL=1.60
 - Truss designed for wind loads in the plane of the truss only. For studs exposed to wind (normal to the face), see Standard Industry Gable End Details as applicable, or consult qualified building designer as per ANSI/TPI 1.
 - Gable requires continuous bottom chord bearing.
 - Gable studs spaced at 2-0-0 oc.
 - This truss has been designed for a 10.0 psf bottom chord live load nonconcurrent with any other live loads.
 - * This truss has been designed for a live load of 30.0psf on the bottom chord in all areas where a rectangle 3-6-0 tall by 2-0-0 wide will fit between the bottom chord and any other members.
 - Provide mechanical connection (by others) of truss to bearing plate capable of withstanding 100 lb uplift at joint(s) 2, 6 except (jt=lb) 10=229, 8=223.
 - This truss is designed in accordance with the 2015 International Residential Code sections R502.11.1 and R802.10.2 and referenced standard ANSI/TPI 1.
 - See Standard Industry Piggyback Truss Connection Detail for Connection to base truss as applicable, or consult qualified building designer.



August 3, 2021

WARNING - Verify design parameters and READ NOTES ON THIS AND INCLUDED MITTEK REFERENCE PAGE MII-7473 rev. 5/19/2020 BEFORE USE.
Design valid for use only with MiTek® connectors. This design is based only upon parameters shown, and is for an individual building component, not a truss system. Before use, the building designer must verify the applicability of design parameters and properly incorporate this design into the overall building design. Bracing indicated is to prevent buckling of individual truss web and/or chord members only. Additional temporary and permanent bracing is always required for stability and to prevent collapse with possible personal injury and property damage. For general guidance regarding the fabrication, storage, delivery, erection and bracing of trusses and truss systems, see **ANSI/TPI1 Quality Criteria, DSB-89 and BCSI Building Component Safety Information** available from Truss Plate Institute, 2670 Crain Highway, Suite 203 Waldorf, MD 20601



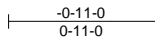
818 Soundside Road
Edenton, NC 27932

Job	Truss	Truss Type	Qty	Ply	Lot 4 Cameron Rd.	E16001316
J0721-4306	J1	MONOPITCH	6	1	Job Reference (optional)	

Comtech, Inc. Fayetteville, NC - 28314,

8,430 s Jun 2 2021 MiTek Industries, Inc. Tue Aug 3 07:54:40 2021 Page 1

ID:14HRAT3eIT9qoRIdAoEs_5z0Axy-DMU3eQP33_dxGm7wmFolNkn8y_C7_sh0?5o12lyrd5j
6-0-0
6-0-0



Scale = 1:13.5

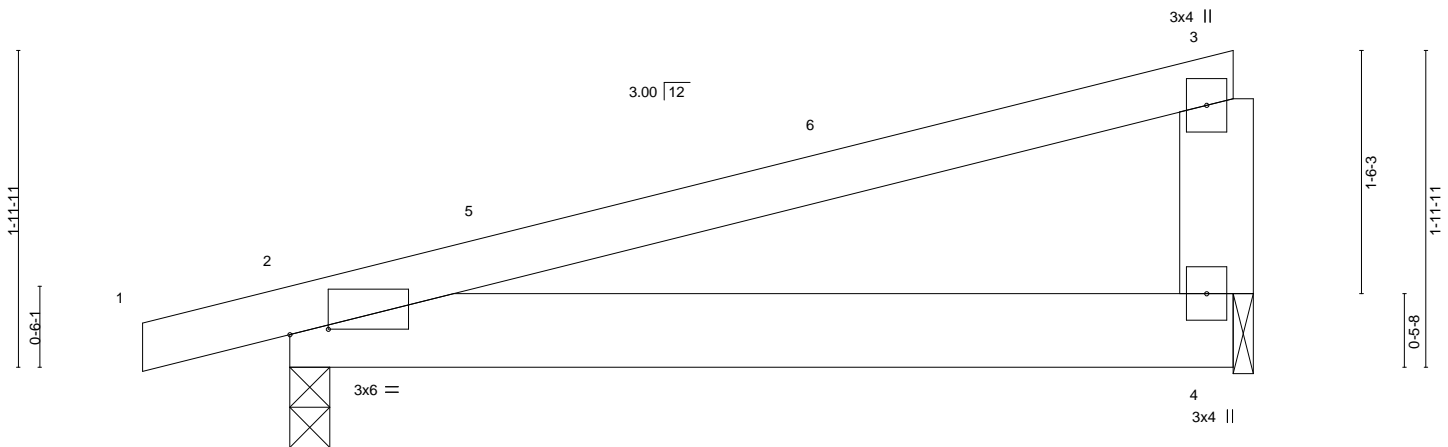


Plate Offsets (X,Y)-- [2:0-2-14,0-0-6]

LOADING (psf)	SPACING-	2-0-0	CSI.	DEFL.	in (loc)	l/defl	L/d	PLATES	GRIP
TCLL 20.0	Plate Grip DOL	1.15	TC 0.45	Vert(LL)	0.04	2-4	>999	MT20	244/190
TCDL 10.0	Lumber DOL	1.15	BC 0.18	Vert(CT)	-0.03	2-4	>999		
BCLL 0.0 *	Rep Stress Incr	YES	WB 0.00	Horz(CT)	0.00	n/a	n/a		
BCDL 10.0	Code IRC2015/TPI2014		Matrix-P					Weight: 27 lb	FT = 20%

LUMBER-
TOP CHORD 2x4 SP No.1
BOT CHORD 2x6 SP No.1
WEBS 2x6 SP No.1

BRACING-
TOP CHORD Structural wood sheathing directly applied or 6-0-0 oc purlins, except end verticals.
BOT CHORD Rigid ceiling directly applied or 10-0-0 oc bracing.

REACTIONS. (size) 2=0-3-0, 4=0-1-8
Max Horz 2=75(LC 8)
Max Uplift 2=188(LC 8), 4=143(LC 8)
Max Grav 2=294(LC 1), 4=220(LC 1)

FORCES. (lb) - Max. Comp./Max. Ten. - All forces 250 (lb) or less except when shown.

NOTES-

- 1) Wind: ASCE 7-10; Vult=150mph Vasd=119mph; TCDL=6.0psf; BCDL=6.0psf; h=15ft; Cat. II; Exp C; Enclosed; MWFRS (envelope) and C-C Exterior(2) -0-11-0 to 3-5-13, Interior(1) 3-5-13 to 5-9-4 zone; porch left exposed; C-C for members and forces & MWFRS for reactions shown; Lumber DOL=1.60 plate grip DOL=1.60
- 2) This truss has been designed for a 10.0 psf bottom chord live load nonconcurrent with any other live loads.
- 3) * This truss has been designed for a live load of 30.0psf on the bottom chord in all areas where a rectangle 3-6-0 tall by 2-0-0 wide will fit between the bottom chord and any other members.
- 4) Bearing at joint(s) 4 considers parallel to grain value using ANSI/TPI 1 angle to grain formula. Building designer should verify capacity of bearing surface.
- 5) Provide mechanical connection (by others) of truss to bearing plate at joint(s) 4.
- 6) Provide mechanical connection (by others) of truss to bearing plate capable of withstanding 100 lb uplift at joint(s) except (jt=lb) 2=188, 4=143.
- 7) This truss is designed in accordance with the 2015 International Residential Code sections R502.11.1 and R802.10.2 and referenced standard ANSI/TPI 1.



August 3, 2021

WARNING - Verify design parameters and READ NOTES ON THIS AND INCLUDED MITEK REFERENCE PAGE MII-7473 rev. 5/19/2020 BEFORE USE.
Design valid for use only with MiTek® connectors. This design is based only upon parameters shown, and is for an individual building component, not a truss system. Before use, the building designer must verify the applicability of design parameters and properly incorporate this design into the overall building design. Bracing indicated is to prevent buckling of individual truss web and/or chord members only. Additional temporary and permanent bracing is always required for stability and to prevent collapse with possible personal injury and property damage. For general guidance regarding the fabrication, storage, delivery, erection and bracing of trusses and truss systems, see **ANSI/TPI1 Quality Criteria, DSB-89 and BCSI Building Component Safety Information** available from Truss Plate Institute, 2670 Crain Highway, Suite 203 Waldorf, MD 20601



818 Soundside Road
Edenton, NC 27932

Job	Truss	Truss Type	Qty	Ply	Lot 4 Cameron Rd.	E16001317
J0721-4306	J1GE	GABLE	1	1	Job Reference (optional)	

Comtech, Inc. Fayetteville, NC - 28314,

8.430 s Jun 2 2021 MiTek Industries, Inc. Tue Aug 3 07:54:41 2021 Page 1
 ID:I4HRAT3elT9qoRIdAoEs_5z0Axy-iY2RslQhqlouwi7KzJ_wxJOoOY6jJ9ADIXabByrd5i



Scale = 1:13.5

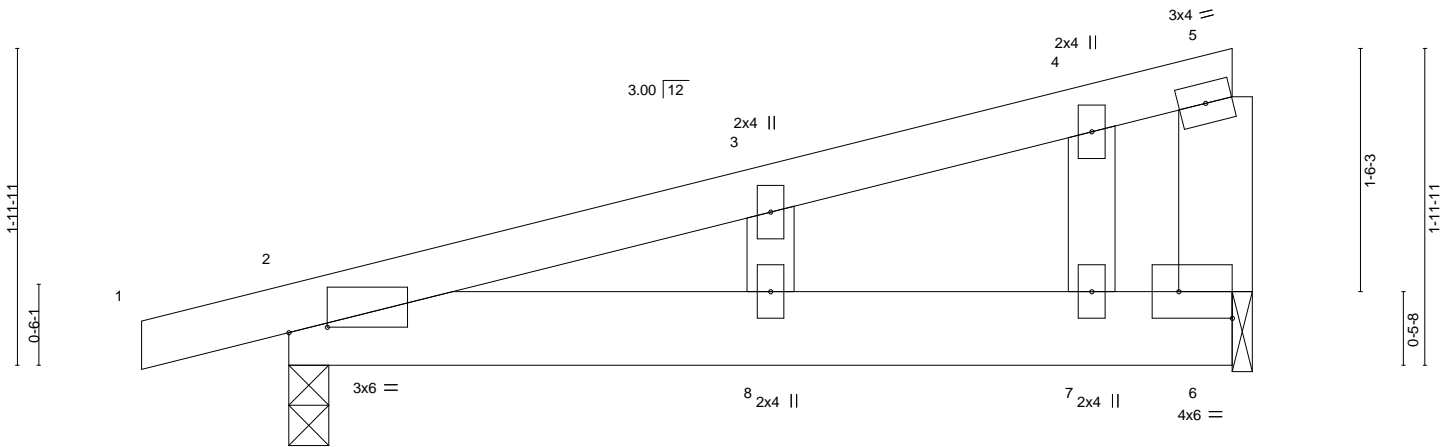


Plate Offsets (X,Y)-- [2:0-2-14,0-0-6], [6:Edge,0-2-0]

LOADING (psf)	SPACING-	CSI.	DEFL.	PLATES	GRIP
TCLL 20.0	2-0-0	TC 0.19	in (loc) l/defl L/d	MT20	244/190
TCDL 10.0	Plate Grip DOL 1.15	BC 0.18	Vert(LL) 0.04 8 >999 240		
BCLL 0.0 *	Lumber DOL 1.15	WB 0.02	Vert(CT) -0.02 8 >999 240		
BCDL 10.0	Rep Stress Incr YES	Matrix-S	Horz(CT) -0.00 6 n/a n/a		
	Code IRC2015/TPI2014			Weight: 29 lb	FT = 20%

LUMBER-
 TOP CHORD 2x4 SP No.1
 BOT CHORD 2x6 SP No.1
 WEBS 2x6 SP No.1
 OTHERS 2x4 SP No.2

BRACING-
 TOP CHORD Structural wood sheathing directly applied or 6-0-0 oc purlins, except end verticals.
 BOT CHORD Rigid ceiling directly applied or 10-0-0 oc bracing.

REACTIONS. (size) 2=0-3-0, 6=0-1-8
 Max Horz 2=106(LC 8)
 Max Uplift 2=259(LC 8), 6=199(LC 8)
 Max Grav 2=294(LC 1), 6=220(LC 1)

FORCES. (lb) - Max. Comp./Max. Ten. - All forces 250 (lb) or less except when shown.
 BOT CHORD 2-8=-275/133, 7-8=-275/133, 6-7=-275/133

- NOTES-**
- 1) Wind: ASCE 7-10; Vult=150mph Vasd=119mph; TC DL=6.0psf; BC DL=6.0psf; h=15ft; Cat. II; Exp C; Enclosed; MWFRS (envelope) gable end zone and C-C Exterior(2) zone; porch left exposed; C-C for members and forces & MWFRS for reactions shown; Lumber DOL=1.60 plate grip DOL=1.60
 - 2) Truss designed for wind loads in the plane of the truss only. For studs exposed to wind (normal to the face), see Standard Industry Gable End Details as applicable, or consult qualified building designer as per ANSI/TPI 1.
 - 3) Gable studs spaced at 2-0-0 oc.
 - 4) This truss has been designed for a 10.0 psf bottom chord live load nonconcurrent with any other live loads.
 - 5) * This truss has been designed for a live load of 30.0psf on the bottom chord in all areas where a rectangle 3-6-0 tall by 2-0-0 wide will fit between the bottom chord and any other members.
 - 6) Bearing at joint(s) 6 considers parallel to grain value using ANSI/TPI 1 angle to grain formula. Building designer should verify capacity of bearing surface.
 - 7) Provide mechanical connection (by others) of truss to bearing plate at joint(s) 6.
 - 8) Provide mechanical connection (by others) of truss to bearing plate capable of withstanding 100 lb uplift at joint(s) except (jt=lb) 2=259, 6=199.
 - 9) This truss is designed in accordance with the 2015 International Residential Code sections R502.11.1 and R802.10.2 and referenced standard ANSI/TPI 1.



August 3, 2021

WARNING - Verify design parameters and READ NOTES ON THIS AND INCLUDED MITEK REFERENCE PAGE MII-7473 rev. 5/19/2020 BEFORE USE.
 Design valid for use only with MiTek® connectors. This design is based only upon parameters shown, and is for an individual building component, not a truss system. Before use, the building designer must verify the applicability of design parameters and properly incorporate this design into the overall building design. Bracing indicated is to prevent buckling of individual truss web and/or chord members only. Additional temporary and permanent bracing is always required for stability and to prevent collapse with possible personal injury and property damage. For general guidance regarding the fabrication, storage, delivery, erection and bracing of trusses and truss systems, see **ANSI/TPI1 Quality Criteria, DSB-89 and BCSI Building Component Safety Information** available from Truss Plate Institute, 2670 Crain Highway, Suite 203 Waldorf, MD 20601

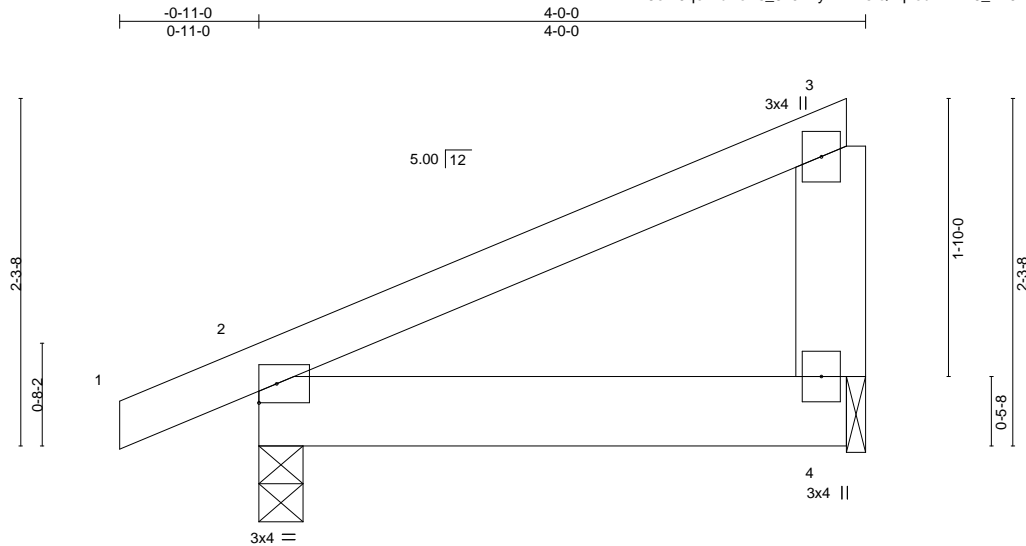


818 Soundside Road
 Edenton, NC 27932

Job J0721-4306	Truss M1	Truss Type MONOPITCH	Qty 6	Ply 1	Lot 4 Cameron Rd. Job Reference (optional)	E16001318
-------------------	-------------	-------------------------	----------	----------	---	-----------

Comtech, Inc. Fayetteville, NC - 28314,

8.430 s Jun 2 2021 MiTek Industries, Inc. Tue Aug 3 07:54:41 2021 Page 1
ID:I4HRAT3elT9qoRldAoEs_5z0Axy-iY2RslQhqlouwi7KzJ_wxJNaOXdjXADIXabByrd5i



Scale = 1:14.3

LOADING (psf)	SPACING- 2-0-0	CSI.	DEFL. in (loc) l/defl L/d	PLATES	GRIP
TCLL 20.0	Plate Grip DOL 1.15	TC 0.21	Vert(LL) -0.00 2-4 >999 360	MT20	244/190
TCDL 10.0	Lumber DOL 1.15	BC 0.21	Vert(CT) -0.00 2-4 >999 240		
BCLL 0.0 *	Rep Stress Incr YES	WB 0.00	Horz(CT) 0.00 n/a n/a		
BCDL 10.0	Code IRC2015/TPI2014	Matrix-P	Wind(LL) 0.00 2 **** 240	Weight: 20 lb	FT = 20%

LUMBER-

TOP CHORD 2x4 SP No.1
BOT CHORD 2x6 SP No.1
WEBS 2x6 SP No.1

BRACING-

TOP CHORD Structural wood sheathing directly applied or 4-0-0 oc purlins, except end verticals.
BOT CHORD Rigid ceiling directly applied or 10-0-0 oc bracing.

REACTIONS.

(size) 2=0-3-8, 4=0-1-8
Max Horz 2=84(LC 12)
Max Uplift 2=-48(LC 8), 4=-52(LC 12)
Max Grav 2=218(LC 1), 4=136(LC 1)

FORCES. (lb) - Max. Comp./Max. Ten. - All forces 250 (lb) or less except when shown.

NOTES-

- 1) Wind: ASCE 7-10; Vult=150mph Vasd=119mph; TCCL=6.0psf; BCCL=6.0psf; h=15ft; Cat. II; Exp C; Enclosed; MWFRS (envelope) and C-C Exterior(2) zone; C-C for members and forces & MWFRS for reactions shown; Lumber DOL=1.60 plate grip DOL=1.60
- 2) This truss has been designed for a 10.0 psf bottom chord live load nonconcurrent with any other live loads.
- 3) * This truss has been designed for a live load of 30.0psf on the bottom chord in all areas where a rectangle 3-6-0 tall by 2-0-0 wide will fit between the bottom chord and any other members.
- 4) Bearing at joint(s) 4 considers parallel to grain value using ANSI/TPI 1 angle to grain formula. Building designer should verify capacity of bearing surface.
- 5) Provide mechanical connection (by others) of truss to bearing plate at joint(s) 4.
- 6) Provide mechanical connection (by others) of truss to bearing plate capable of withstanding 100 lb uplift at joint(s) 2, 4.
- 7) This truss is designed in accordance with the 2015 International Residential Code sections R502.11.1 and R802.10.2 and referenced standard ANSI/TPI 1.



August 3, 2021

WARNING - Verify design parameters and READ NOTES ON THIS AND INCLUDED MITEK REFERENCE PAGE MII-7473 rev. 5/19/2020 BEFORE USE.

Design valid for use only with MiTek® connectors. This design is based only upon parameters shown, and is for an individual building component, not a truss system. Before use, the building designer must verify the applicability of design parameters and properly incorporate this design into the overall building design. Bracing indicated is to prevent buckling of individual truss web and/or chord members only. Additional temporary and permanent bracing is always required for stability and to prevent collapse with possible personal injury and property damage. For general guidance regarding the fabrication, storage, delivery, erection and bracing of trusses and truss systems, see **ANSI/TPI1 Quality Criteria, DSB-89 and BCSI Building Component Safety Information** available from Truss Plate Institute, 2670 Crain Highway, Suite 203 Waldorf, MD 20601



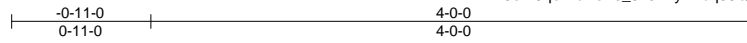
818 Soundside Road
Edenton, NC 27932

Job J0721-4306	Truss M1GE	Truss Type GABLE	Qty 1	Ply 1	Lot 4 Cameron Rd. Job Reference (optional)	E16001319
-------------------	---------------	---------------------	----------	----------	---	-----------

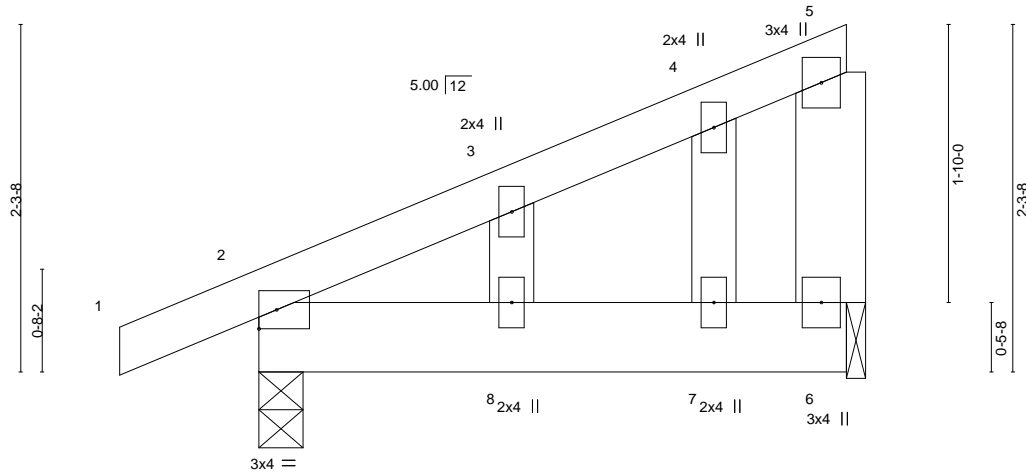
Comtech, Inc. Fayetteville, NC - 28314,

8,430 s Jun 2 2021 MiTek Industries, Inc. Tue Aug 3 07:54:42 2021 Page 1

ID:4HRAT3eIT9qoRldAoEs_5z0Axy-Albq35QJbctfW4HJugqDS9sbaovaSmpJSPH87dyrd5h



Scale = 1:14.3



LOADING (psf)	SPACING-	CSI.	DEFL.	PLATES	GRIP
TCLL 20.0	2-0-0	TC 0.06	in (loc) l/defl L/d	MT20	244/190
TCDL 10.0	Plate Grip DOL 1.15	BC 0.10	Vert(LL) 0.00 8 >999 240		
BCLL 0.0 *	Lumber DOL 1.15	WB 0.02	Vert(CT) -0.00 8 >999 240		
BCDL 10.0	Rep Stress Incr YES	Matrix-S	Horz(CT) -0.00 6 n/a n/a		
	Code IRC2015/TPI2014			Weight: 23 lb	FT = 20%

LUMBER-

TOP CHORD 2x4 SP No.1
 BOT CHORD 2x6 SP No.1
 WEBS 2x6 SP No.1 *Except*
 3-8: 2x4 SP No.2
 OTHERS 2x4 SP No.2

BRACING-

TOP CHORD Structural wood sheathing directly applied or 4-0-0 oc purlins, except end verticals.
 BOT CHORD Rigid ceiling directly applied or 10-0-0 oc bracing.

REACTIONS.

(size) 2=0-3-8, 6=0-1-8
 Max Horz 2=121(LC 12)
 Max Uplift 2=90(LC 12), 6=93(LC 12)
 Max Grav 2=218(LC 1), 6=136(LC 1)

FORCES. (lb) - Max. Comp./Max. Ten. - All forces 250 (lb) or less except when shown.

NOTES-

- 1) Wind: ASCE 7-10; Vult=150mph Vasd=119mph; TCCL=6.0psf; BCCL=6.0psf; h=15ft; Cat. II; Exp C; Enclosed; MWFRS (envelope) gable end zone and C-C Exterior(2) zone; C-C for members and forces & MWFRS for reactions shown; Lumber DOL=1.60 plate grip DOL=1.60
- 2) Truss designed for wind loads in the plane of the truss only. For studs exposed to wind (normal to the face), see Standard Industry Gable End Details as applicable, or consult qualified building designer as per ANSI/TPI 1.
- 3) Gable studs spaced at 2-0-0 oc.
- 4) This truss has been designed for a 10.0 psf bottom chord live load nonconcurrent with any other live loads.
- 5) * This truss has been designed for a live load of 30.0psf on the bottom chord in all areas where a rectangle 3-6-0 tall by 2-0-0 wide will fit between the bottom chord and any other members.
- 6) Bearing at joint(s) 6 considers parallel to grain value using ANSI/TPI 1 angle to grain formula. Building designer should verify capacity of bearing surface.
- 7) Provide mechanical connection (by others) of truss to bearing plate at joint(s) 6.
- 8) Provide mechanical connection (by others) of truss to bearing plate capable of withstanding 100 lb uplift at joint(s) 2, 6.
- 9) This truss is designed in accordance with the 2015 International Residential Code sections R502.11.1 and R802.10.2 and referenced standard ANSI/TPI 1.



August 3, 2021

WARNING - Verify design parameters and READ NOTES ON THIS AND INCLUDED MITTEK REFERENCE PAGE MII-7473 rev. 5/19/2020 BEFORE USE.
 Design valid for use only with MiTek® connectors. This design is based only upon parameters shown, and is for an individual building component, not a truss system. Before use, the building designer must verify the applicability of design parameters and properly incorporate this design into the overall building design. Bracing indicated is to prevent buckling of individual truss web and/or chord members only. Additional temporary and permanent bracing is always required for stability and to prevent collapse with possible personal injury and property damage. For general guidance regarding the fabrication, storage, delivery, erection and bracing of trusses and truss systems, see **ANSI/TPI1 Quality Criteria, DSB-89 and BCSI Building Component Safety Information** available from Truss Plate Institute, 2670 Crain Highway, Suite 203 Waldorf, MD 20601



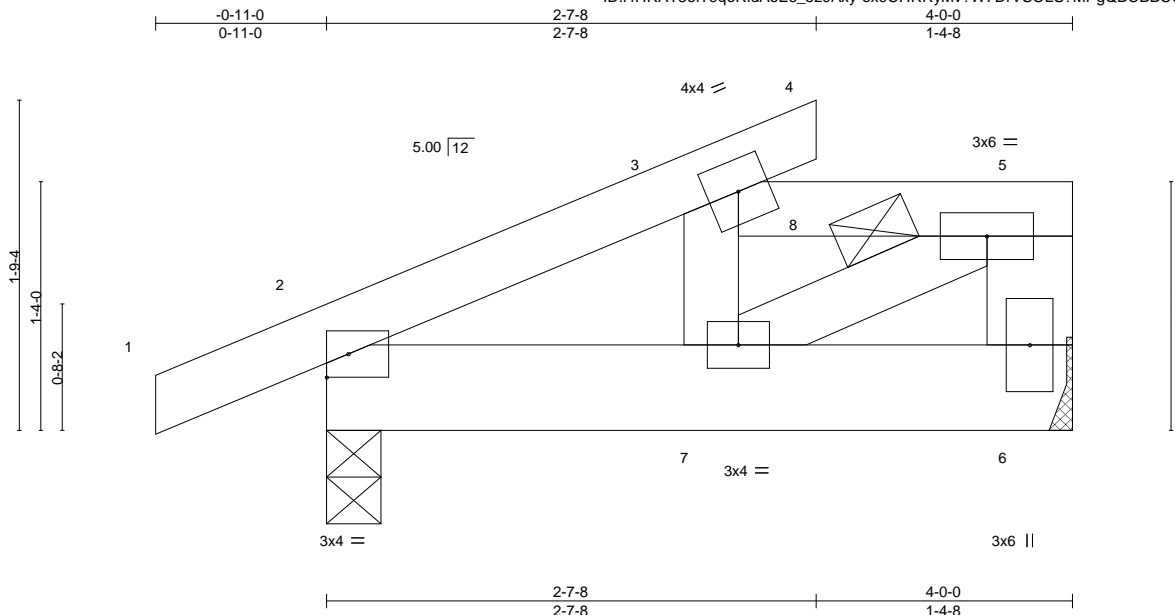
818 Soundside Road
 Edenton, NC 27932

Job J0721-4306	Truss M2	Truss Type HALF HIP	Qty 6	Ply 1	Lot 4 Cameron Rd. Job Reference (optional)	E16001320
-------------------	-------------	------------------------	----------	----------	---	-----------

Comtech, Inc. Fayetteville, NC - 28314,

8.430 s Jun 2 2021 MiTek Industries, Inc. Tue Aug 3 07:54:43 2021 Page 1

ID:4HRAT3eIT9qoRldAoEs_5z0Axy-ex9CHRRyMv?W7DrVSOLS?MPgQBCBCCQhT30hf4yrd5g



Scale = 1:11.6

LOADING (psf)	SPACING-	2-0-0	CSI.	DEFL.	in (loc)	l/defl	L/d	PLATES	GRIP
TCLL 20.0	Plate Grip DOL	1.15	TC 0.44	Vert(LL)	-0.00	7	>999	MT20	244/190
TCDL 10.0	Lumber DOL	1.15	BC 0.21	Vert(CT)	-0.00	7	>999		
BCLL 0.0 *	Rep Stress Incr	NO	WB 0.10	Horz(CT)	-0.00	6	n/a		
BCDL 10.0	Code IRC2015/TPI2014		Matrix-P	Wind(LL)	0.01	7	>999		
								Weight: 23 lb	FT = 20%

LUMBER-

TOP CHORD 2x4 SP No.1
 BOT CHORD 2x6 SP No.1
 WEBS 2x4 SP No.2 *Except*
 5-6: 2x6 SP No.1

BRACING-

TOP CHORD Structural wood sheathing directly applied or 4-0-0 oc purlins, except end verticals, and 2-0-0 oc purlins: 3-5.
 BOT CHORD Rigid ceiling directly applied or 10-0-0 oc bracing.

REACTIONS.

(size) 6=Mechanical, 2=0-3-8
 Max Horz 2=59(LC 12)
 Max Uplift 6=112(LC 9), 2=93(LC 8)
 Max Grav 6=546(LC 22), 2=387(LC 1)

FORCES.

(lb) - Max. Comp./Max. Ten. - All forces 250 (lb) or less except when shown.
 TOP CHORD 2-3=-470/402, 3-5=-366/461, 5-6=-489/492
 BOT CHORD 2-7=-492/386
 WEBS 3-7=-245/382, 5-7=-528/420

NOTES-

- Unbalanced roof live loads have been considered for this design.
- Wind: ASCE 7-10; Vult=150mph Vasd=119mph; TCCL=6.0psf; BCDL=6.0psf; h=15ft; Cat. II; Exp C; Enclosed; MWFRS (envelope) and C-C Exterior(2) zone; C-C for members and forces & MWFRS for reactions shown; Lumber DOL=1.60 plate grip DOL=1.60
- Provide adequate drainage to prevent water ponding.
- This truss has been designed for a 10.0 psf bottom chord live load nonconcurrent with any other live loads.
- * This truss has been designed for a live load of 30.0psf on the bottom chord in all areas where a rectangle 3-6-0 tall by 2-0-0 wide will fit between the bottom chord and any other members.
- Refer to girder(s) for truss to truss connections.
- Provide mechanical connection (by others) of truss to bearing plate capable of withstanding 100 lb uplift at joint(s) 2 except (jt=lb) 6=112.
- This truss is designed in accordance with the 2015 International Residential Code sections R502.11.1 and R802.10.2 and referenced standard ANSI/TPI 1.
- Load case(s) 1, 2, 3, 4, 5, 6, 7, 8, 9, 10, 11, 12, 13, 14, 15, 16, 17, 18, 19, 20, 21, 22, 23, 24, 25, 26 has/have been modified. Building designer must review loads to verify that they are correct for the intended use of this truss.
- Graphical purlin representation does not depict the size or the orientation of the purlin along the top and/or bottom chord.
- Hanger(s) or other connection device(s) shall be provided sufficient to support concentrated load(s). The design/selection of such connection device(s) is the responsibility of others.

LOAD CASE(S) Standard

- Dead + Roof Live (balanced): Lumber Increase=1.15, Plate Increase=1.15
 Uniform Loads (plf)
 Vert: 1-3=-60, 3-4=-60, 3-8=-40, 5-8=-80, 2-6=-20
 Concentrated Loads (lb)
 Vert: 8=500



August 3, 2021

Continued on page 2

WARNING - Verify design parameters and READ NOTES ON THIS AND INCLUDED MITTEK REFERENCE PAGE MII-7473 rev. 5/19/2020 BEFORE USE.
 Design valid for use only with MiTek® connectors. This design is based only upon parameters shown, and is for an individual building component, not a truss system. Before use, the building designer must verify the applicability of design parameters and properly incorporate this design into the overall building design. Bracing indicated is to prevent buckling of individual truss web and/or chord members only. Additional temporary and permanent bracing is always required for stability and to prevent collapse with possible personal injury and property damage. For general guidance regarding the fabrication, storage, delivery, erection and bracing of trusses and truss systems, see **ANSI/TPI1 Quality Criteria, DSB-89 and BCSI Building Component Safety Information** available from Truss Plate Institute, 2670 Crain Highway, Suite 203 Waldorf, MD 20601



818 Soundside Road
 Edenton, NC 27932

Job	Truss	Truss Type	Qty	Ply	Lot 4 Cameron Rd.	E16001320
J0721-4306	M2	HALF HIP	6	1	Job Reference (optional)	

Comtech, Inc, Fayetteville, NC - 28314,

8.430 s Jun 2 2021 MiTek Industries, Inc. Tue Aug 3 07:54:43 2021 Page 2
ID:4HRAT3eIT9qoRldAoEs_5z0Axy-ex9CHRRyMv?W7DrVSOLS?MPgQBCBBCQTh30hf4yrd5g

LOAD CASE(S) Standard

- 2) Dead + 0.75 Roof Live (balanced): Lumber Increase=1.15, Plate Increase=1.15
Uniform Loads (plf)
Vert: 1-3=-50, 3-4=-50, 3-8=-100, 5-8=-130, 2-6=-20
Concentrated Loads (lb)
Vert: 8=-438
- 3) Dead + Uninhabitable Attic Without Storage: Lumber Increase=1.25, Plate Increase=1.25
Uniform Loads (plf)
Vert: 1-3=-20, 3-4=-20, 3-5=-40, 2-6=-40
Concentrated Loads (lb)
Vert: 8=-375
- 4) Dead + 0.6 C-C Wind (Pos. Internal) Case 1: Lumber Increase=1.60, Plate Increase=1.60
Uniform Loads (plf)
Vert: 1-2=98, 2-3=82, 3-4=207, 3-5=67, 2-6=-12
Horz: 1-2=-110, 2-3=-94, 3-4=-219
Concentrated Loads (lb)
Vert: 8=467
- 5) Dead + 0.6 C-C Wind (Pos. Internal) Case 2: Lumber Increase=1.60, Plate Increase=1.60
Uniform Loads (plf)
Vert: 1-2=73, 2-3=82, 3-4=73, 3-5=67, 2-6=-12
Horz: 1-2=-85, 2-3=-94, 3-4=-85
Concentrated Loads (lb)
Vert: 8=467
- 6) Dead + 0.6 C-C Wind (Neg. Internal) Case 1: Lumber Increase=1.60, Plate Increase=1.60
Uniform Loads (plf)
Vert: 1-2=5, 2-3=-54, 3-4=30, 3-5=-64, 2-6=-20
Horz: 1-2=-25, 2-3=34, 3-4=-50
Concentrated Loads (lb)
Vert: 8=-462
- 7) Dead + 0.6 C-C Wind (Neg. Internal) Case 2: Lumber Increase=1.60, Plate Increase=1.60
Uniform Loads (plf)
Vert: 1-2=-45, 2-3=-54, 3-4=-45, 3-5=-64, 2-6=-20
Horz: 1-2=25, 2-3=34, 3-4=25
Concentrated Loads (lb)
Vert: 8=-462
- 8) Dead + 0.6 MWFRS Wind (Pos. Internal) Left: Lumber Increase=1.60, Plate Increase=1.60
Uniform Loads (plf)
Vert: 1-2=40, 2-3=20, 3-4=11, 3-5=11, 2-6=-12
Horz: 1-2=-52, 2-3=-32, 3-4=-23
Concentrated Loads (lb)
Vert: 8=121
- 9) Dead + 0.6 MWFRS Wind (Pos. Internal) Right: Lumber Increase=1.60, Plate Increase=1.60
Uniform Loads (plf)
Vert: 1-2=11, 2-3=20, 3-4=41, 3-5=11, 2-6=-12
Horz: 1-2=-23, 2-3=-32, 3-4=-53
Concentrated Loads (lb)
Vert: 8=121
- 10) Dead + 0.6 MWFRS Wind (Neg. Internal) Left: Lumber Increase=1.60, Plate Increase=1.60
Uniform Loads (plf)
Vert: 1-2=3, 2-3=-6, 3-4=3, 3-5=-15, 2-6=-20
Horz: 1-2=-23, 2-3=-14, 3-4=-23
Concentrated Loads (lb)
Vert: 8=-306
- 11) Dead + 0.6 MWFRS Wind (Neg. Internal) Right: Lumber Increase=1.60, Plate Increase=1.60
Uniform Loads (plf)
Vert: 1-2=3, 2-3=-6, 3-4=3, 3-5=-15, 2-6=-20
Horz: 1-2=-23, 2-3=-14, 3-4=-23
Concentrated Loads (lb)
Vert: 8=-306
- 12) Dead + 0.6 MWFRS Wind (Pos. Internal) 1st Parallel: Lumber Increase=1.60, Plate Increase=1.60
Uniform Loads (plf)
Vert: 1-2=22, 2-3=31, 3-4=22, 3-5=-5, 2-6=-12
Horz: 1-2=-34, 2-3=43, 3-4=-34
Concentrated Loads (lb)
Vert: 8=121
- 13) Dead + 0.6 MWFRS Wind (Pos. Internal) 2nd Parallel: Lumber Increase=1.60, Plate Increase=1.60
Uniform Loads (plf)
Vert: 1-2=6, 2-3=15, 3-4=6, 3-5=-5, 2-6=-12
Horz: 1-2=-18, 2-3=-27, 3-4=-18
Concentrated Loads (lb)
Vert: 8=21
- 14) Dead + 0.6 MWFRS Wind (Pos. Internal) 3rd Parallel: Lumber Increase=1.60, Plate Increase=1.60
Uniform Loads (plf)
Vert: 1-2=22, 2-3=31, 3-4=22, 3-5=-5, 2-6=-12
Horz: 1-2=-34, 2-3=43, 3-4=-34
Concentrated Loads (lb)
Vert: 8=121

Continued on page 3

WARNING - Verify design parameters and READ NOTES ON THIS AND INCLUDED MITEK REFERENCE PAGE MII-7473 rev. 5/19/2020 BEFORE USE.
Design valid for use only with MiTek® connectors. This design is based only upon parameters shown, and is for an individual building component, not a truss system. Before use, the building designer must verify the applicability of design parameters and properly incorporate this design into the overall building design. Bracing indicated is to prevent buckling of individual truss web and/or chord members only. Additional temporary and permanent bracing is always required for stability and to prevent collapse with possible personal injury and property damage. For general guidance regarding the fabrication, storage, delivery, erection and bracing of trusses and truss systems, see **ANSI/TPI1 Quality Criteria, DSB-89 and BCSI Building Component Safety Information** available from Truss Plate Institute, 2670 Crain Highway, Suite 203 Waldorf, MD 20601



818 Soundside Road
Edenton, NC 27932

Job	Truss	Truss Type	Qty	Ply	Lot 4 Cameron Rd.	E16001320
J0721-4306	M2	HALF HIP	6	1	Job Reference (optional)	

Comtech, Inc, Fayetteville, NC - 28314,

8.430 s Jun 2 2021 MiTek Industries, Inc. Tue Aug 3 07:54:43 2021 Page 3
ID:14HRAT3eIT9qoRldAoEs_5z0Axy-ex9CHRRyMv?W7DrVSOLS?MPgQBCBCCQTh30hf4yrd5g

LOAD CASE(S) Standard

- 15) Dead + 0.6 MWFRS Wind (Pos. Internal) 4th Parallel: Lumber Increase=1.60, Plate Increase=1.60
Uniform Loads (plf)
Vert: 1-2=6, 2-3=15, 3-4=6, 3-5=5, 2-6=-12
Horz: 1-2=-18, 2-3=-27, 3-4=-18
Concentrated Loads (lb)
Vert: 8=21
- 16) Dead + 0.6 MWFRS Wind (Neg. Internal) 1st Parallel: Lumber Increase=1.60, Plate Increase=1.60
Uniform Loads (plf)
Vert: 1-2=14, 2-3=5, 3-4=14, 3-5=-31, 2-6=-20
Horz: 1-2=-34, 2-3=-25, 3-4=-34
Concentrated Loads (lb)
Vert: 8=-306
- 17) Dead + 0.6 MWFRS Wind (Neg. Internal) 2nd Parallel: Lumber Increase=1.60, Plate Increase=1.60
Uniform Loads (plf)
Vert: 1-2=-2, 2-3=-11, 3-4=-2, 3-5=-31, 2-6=-20
Horz: 1-2=-18, 2-3=-9, 3-4=-18
Concentrated Loads (lb)
Vert: 8=-306
- 18) Dead: Lumber Increase=0.90, Plate Increase=0.90 Plt. metal=0.90
Uniform Loads (plf)
Vert: 1-3=-20, 3-4=-20, 3-5=-120, 2-6=-20
Concentrated Loads (lb)
Vert: 8=-250
- 19) Dead + 0.75 Roof Live (bal.) + 0.75 Attic Floor + 0.75(0.6 MWFRS Wind (Neg. Int) Left): Lumber Increase=1.60, Plate Increase=1.60
Uniform Loads (plf)
Vert: 1-2=-33, 2-3=-40, 3-4=-33, 3-8=-81, 5-8=-111, 2-6=-20
Horz: 1-2=-17, 2-3=-10, 3-4=-17
Concentrated Loads (lb)
Vert: 8=-480
- 20) Dead + 0.75 Roof Live (bal.) + 0.75 Attic Floor + 0.75(0.6 MWFRS Wind (Neg. Int) Right): Lumber Increase=1.60, Plate Increase=1.60
Uniform Loads (plf)
Vert: 1-2=-33, 2-3=-39, 3-4=-33, 3-8=-81, 5-8=-111, 2-6=-20
Horz: 1-2=-17, 2-3=-11, 3-4=-17
Concentrated Loads (lb)
Vert: 8=-480
- 21) Dead + 0.75 Roof Live (bal.) + 0.75 Attic Floor + 0.75(0.6 MWFRS Wind (Neg. Int) 1st Parallel): Lumber Increase=1.60, Plate Increase=1.60
Uniform Loads (plf)
Vert: 1-2=-24, 2-3=-31, 3-4=-24, 3-8=-93, 5-8=-123, 2-6=-20
Horz: 1-2=-26, 2-3=-19, 3-4=-26
Concentrated Loads (lb)
Vert: 8=-480
- 22) Dead + 0.75 Roof Live (bal.) + 0.75 Attic Floor + 0.75(0.6 MWFRS Wind (Neg. Int) 2nd Parallel): Lumber Increase=1.60, Plate Increase=1.60
Uniform Loads (plf)
Vert: 1-2=-36, 2-3=-43, 3-4=-36, 3-8=-93, 5-8=-123, 2-6=-20
Horz: 1-2=-14, 2-3=-7, 3-4=-14
Concentrated Loads (lb)
Vert: 8=-480
- 23) 1st Dead + Roof Live (unbalanced): Lumber Increase=1.15, Plate Increase=1.15
Uniform Loads (plf)
Vert: 1-3=-60, 3-4=-60, 3-8=-40, 5-8=-80, 2-6=-20
Concentrated Loads (lb)
Vert: 8=-500
- 24) 2nd Dead + Roof Live (unbalanced): Lumber Increase=1.15, Plate Increase=1.15
Uniform Loads (plf)
Vert: 1-3=-20, 3-4=-20, 3-8=-40, 5-8=-80, 2-6=-20
Concentrated Loads (lb)
Vert: 8=-500
- 25) 3rd Dead + 0.75 Roof Live (unbalanced): Lumber Increase=1.15, Plate Increase=1.15
Uniform Loads (plf)
Vert: 1-3=-50, 3-4=-50, 3-8=-100, 5-8=-130, 2-6=-20
Concentrated Loads (lb)
Vert: 8=-438
- 26) 4th Dead + 0.75 Roof Live (unbalanced): Lumber Increase=1.15, Plate Increase=1.15
Uniform Loads (plf)
Vert: 1-3=-20, 3-4=-20, 3-8=-100, 5-8=-130, 2-6=-20
Concentrated Loads (lb)
Vert: 8=-438

WARNING - Verify design parameters and READ NOTES ON THIS AND INCLUDED MITEK REFERENCE PAGE MII-7473 rev. 5/19/2020 BEFORE USE.
Design valid for use only with MiTek® connectors. This design is based only upon parameters shown, and is for an individual building component, not a truss system. Before use, the building designer must verify the applicability of design parameters and properly incorporate this design into the overall building design. Bracing indicated is to prevent buckling of individual truss web and/or chord members only. Additional temporary and permanent bracing is always required for stability and to prevent collapse with possible personal injury and property damage. For general guidance regarding the fabrication, storage, delivery, erection and bracing of trusses and truss systems, see **ANSI/TPI1 Quality Criteria, DSB-89 and BCSI Building Component Safety Information** available from Truss Plate Institute, 2670 Crain Highway, Suite 203 Waldorf, MD 20601

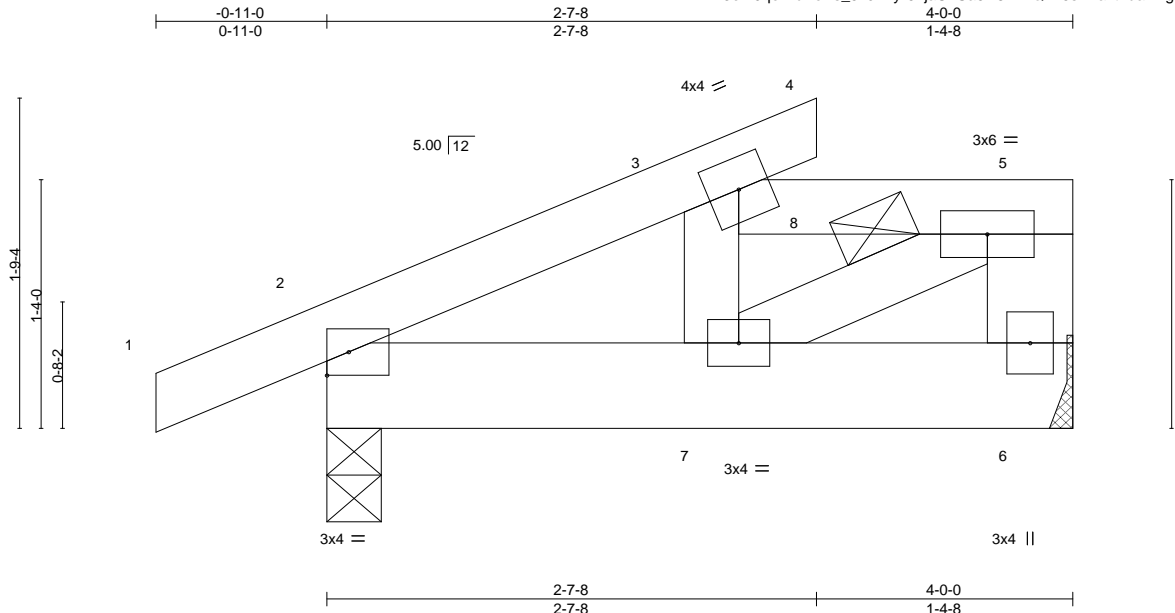


818 Soundside Road
Edenton, NC 27932

Job J0721-4306	Truss M2A	Truss Type HALF HIP	Qty 1	Ply 2	Lot 4 Cameron Rd. Job Reference (optional)	E16001321
-------------------	--------------	------------------------	----------	----------	---	-----------

Comtech, Inc., Fayetteville, NC - 28314,

8,430 s Jun 2 2021 MiTek Industries, Inc. Tue Aug 3 07:54:44 2021 Page 1
ID:I4HRAT3eIT9qoRldAoEs_5z0Axy-67jaUnSa6D8NINQH?5shXaxt?baLwglwjmFBWYrd5f



Scale = 1:11.6

LOADING (psf)	SPACING-	CSI.	DEFL.	PLATES	GRIP
TCLL 20.0	2-0-0	TC 0.26	in (loc) l/defl L/d	MT20	244/190
TCDL 10.0	Plate Grip DOL 1.15	BC 0.09	Vert(LL) -0.00 2 >999 360		
BCLL 0.0 *	Lumber DOL 1.15	WB 0.06	Vert(CT) -0.00 7 >999 240		
BCDL 10.0	Rep Stress Incr NO	Matrix-P	Horz(CT) 0.00 6 n/a n/a		
	Code IRC2015/TPI2014		Wind(LL) 0.00 7 >999 240	Weight: 45 lb	FT = 20%

LUMBER-

TOP CHORD 2x4 SP No.1
 BOT CHORD 2x6 SP No.1
 WEBS 2x4 SP No.2 *Except*
 5-6: 2x6 SP No.1

BRACING-

TOP CHORD Structural wood sheathing directly applied or 4-0-0 oc purlins, except end verticals, and 2-0-0 oc purlins: 3-5.
 BOT CHORD Rigid ceiling directly applied or 10-0-0 oc bracing.

REACTIONS.

(size) 6=Mechanical, 2=0-3-8
 Max Horz 2=59(LC 8)
 Max Uplift 2=40(LC 4)
 Max Grav 6=708(LC 18), 2=439(LC 1)

FORCES.

(lb) - Max. Comp./Max. Ten. - All forces 250 (lb) or less except when shown.
 TOP CHORD 2-3=-565/0, 3-5=-445/17, 5-6=-641/0
 BOT CHORD 2-7=-20/471
 WEBS 3-7=-308/37, 5-7=-19/511

NOTES-

- 2-ply truss to be connected together with 10d (0.131"x3") nails as follows:
 Top chords connected as follows: 2x4 - 1 row at 0-9-0 oc, 2x6 - 2 rows staggered at 0-9-0 oc.
 Bottom chords connected as follows: 2x6 - 2 rows staggered at 0-9-0 oc.
 Webs connected as follows: 2x4 - 1 row at 0-9-0 oc.
- All loads are considered equally applied to all plies, except if noted as front (F) or back (B) face in the LOAD CASE(S) section. Ply to ply connections have been provided to distribute only loads noted as (F) or (B), unless otherwise indicated.
- Unbalanced roof live loads have been considered for this design.
- Wind: ASCE 7-10; Vult=150mph Vasd=119mph; TCCL=6.0psf; BCDL=6.0psf; h=15ft; Cat. II; Exp C; Enclosed; MWFRS (envelope); Lumber DOL=1.60 plate grip DOL=1.60
- Provide adequate drainage to prevent water ponding.
- This truss has been designed for a 10.0 psf bottom chord live load nonconcurrent with any other live loads.
- * This truss has been designed for a live load of 30.0psf on the bottom chord in all areas where a rectangle 3-6-0 tall by 2-0-0 wide will fit between the bottom chord and any other members.
- Refer to girder(s) for truss to truss connections.
- Provide mechanical connection (by others) of truss to bearing plate capable of withstanding 100 lb uplift at joint(s) 2.
- This truss is designed in accordance with the 2015 International Residential Code sections R502.11.1 and R802.10.2 and referenced standard ANSI/TPI 1.
- Load case(s) 1, 2, 3, 4, 5, 6, 7, 8, 9, 10, 11, 12, 13, 14, 15, 16, 17, 18, 19, 20, 21, 22 has/have been modified. Building designer must review loads to verify that they are correct for the intended use of this truss.
- Graphical purlin representation does not depict the size or the orientation of the purlin along the top and/or bottom chord.
- Hanger(s) or other connection device(s) shall be provided sufficient to support concentrated load(s). The design/selection of such connection device(s) is the responsibility of others.

LOAD CASE(S) Standard



August 3, 2021

Continued on page 2

WARNING - Verify design parameters and READ NOTES ON THIS AND INCLUDED MITTEK REFERENCE PAGE MII-7473 rev. 5/19/2020 BEFORE USE.
 Design valid for use only with MiTek® connectors. This design is based only upon parameters shown, and is for an individual building component, not a truss system. Before use, the building designer must verify the applicability of design parameters and properly incorporate this design into the overall building design. Bracing indicated is to prevent buckling of individual truss web and/or chord members only. Additional temporary and permanent bracing is always required for stability and to prevent collapse with possible personal injury and property damage. For general guidance regarding the fabrication, storage, delivery, erection and bracing of trusses and truss systems, see **ANSI/TPI1 Quality Criteria, DSB-89 and BCSI Building Component Safety Information** available from Truss Plate Institute, 2670 Crain Highway, Suite 203 Waldorf, MD 20601



818 Soundside Road
 Edenton, NC 27932

Job J0721-4306	Truss M2A	Truss Type HALF HIP	Qty 1	Ply 2	Lot 4 Cameron Rd. Job Reference (optional)	E16001321
-------------------	--------------	------------------------	----------	----------	---	-----------

Comtech, Inc., Fayetteville, NC - 28314,

8.430 s Jun 2 2021 MiTek Industries, Inc. Tue Aug 3 07:54:44 2021 Page 2
ID:I4HRAT3eIT9qRIdAoEs_5z0Axy-67jaUnSa6D8NINQh?5shXaxt?baLwglwjmFBWYrd5f

LOAD CASE(S) Standard

- 1) Dead + Roof Live (balanced): Lumber Increase=1.15, Plate Increase=1.15
Uniform Loads (plf)
Vert: 1-3=-60, 3-4=-60, 3-8=-160, 5-8=-200, 2-6=-20
Concentrated Loads (lb)
Vert: 8=-500
- 2) Dead + 0.75 Roof Live (balanced): Lumber Increase=1.15, Plate Increase=1.15
Uniform Loads (plf)
Vert: 1-3=-50, 3-4=-50, 3-8=-220, 5-8=-250, 2-6=-20
Concentrated Loads (lb)
Vert: 8=-438
- 3) Dead + Uninhabitable Attic Without Storage: Lumber Increase=1.25, Plate Increase=1.25
Uniform Loads (plf)
Vert: 1-3=-20, 3-4=-20, 3-5=-160, 2-6=-40
Concentrated Loads (lb)
Vert: 8=-375
- 4) Dead + 0.6 MWFRS Wind (Pos. Internal) Left: Lumber Increase=1.60, Plate Increase=1.60
Uniform Loads (plf)
Vert: 1-2=40, 2-3=20, 3-4=11, 3-5=-109, 2-6=-12
Horz: 1-2=-52, 2-3=-32, 3-4=-23
Concentrated Loads (lb)
Vert: 8=121
- 5) Dead + 0.6 MWFRS Wind (Pos. Internal) Right: Lumber Increase=1.60, Plate Increase=1.60
Uniform Loads (plf)
Vert: 1-2=11, 2-3=20, 3-4=41, 3-5=-109, 2-6=-12
Horz: 1-2=-23, 2-3=-32, 3-4=-53
Concentrated Loads (lb)
Vert: 8=121
- 6) Dead + 0.6 MWFRS Wind (Neg. Internal) Left: Lumber Increase=1.60, Plate Increase=1.60
Uniform Loads (plf)
Vert: 1-2=3, 2-3=-6, 3-4=3, 3-5=-135, 2-6=-20
Horz: 1-2=-23, 2-3=-14, 3-4=-23
Concentrated Loads (lb)
Vert: 8=-306
- 7) Dead + 0.6 MWFRS Wind (Neg. Internal) Right: Lumber Increase=1.60, Plate Increase=1.60
Uniform Loads (plf)
Vert: 1-2=3, 2-3=-6, 3-4=3, 3-5=-135, 2-6=-20
Horz: 1-2=-23, 2-3=-14, 3-4=-23
Concentrated Loads (lb)
Vert: 8=-306
- 8) Dead + 0.6 MWFRS Wind (Pos. Internal) 1st Parallel: Lumber Increase=1.60, Plate Increase=1.60
Uniform Loads (plf)
Vert: 1-2=22, 2-3=31, 3-4=22, 3-5=-125, 2-6=-12
Horz: 1-2=-34, 2-3=-43, 3-4=-34
Concentrated Loads (lb)
Vert: 8=121
- 9) Dead + 0.6 MWFRS Wind (Pos. Internal) 2nd Parallel: Lumber Increase=1.60, Plate Increase=1.60
Uniform Loads (plf)
Vert: 1-2=6, 2-3=15, 3-4=6, 3-5=-125, 2-6=-12
Horz: 1-2=-18, 2-3=-27, 3-4=-18
Concentrated Loads (lb)
Vert: 8=21
- 10) Dead + 0.6 MWFRS Wind (Pos. Internal) 3rd Parallel: Lumber Increase=1.60, Plate Increase=1.60
Uniform Loads (plf)
Vert: 1-2=22, 2-3=31, 3-4=22, 3-5=-125, 2-6=-12
Horz: 1-2=-34, 2-3=-43, 3-4=-34
Concentrated Loads (lb)
Vert: 8=121
- 11) Dead + 0.6 MWFRS Wind (Pos. Internal) 4th Parallel: Lumber Increase=1.60, Plate Increase=1.60
Uniform Loads (plf)
Vert: 1-2=6, 2-3=15, 3-4=6, 3-5=-125, 2-6=-12
Horz: 1-2=-18, 2-3=-27, 3-4=-18
Concentrated Loads (lb)
Vert: 8=21
- 12) Dead + 0.6 MWFRS Wind (Neg. Internal) 1st Parallel: Lumber Increase=1.60, Plate Increase=1.60
Uniform Loads (plf)
Vert: 1-2=14, 2-3=5, 3-4=14, 3-5=-151, 2-6=-20
Horz: 1-2=-34, 2-3=-25, 3-4=-34
Concentrated Loads (lb)
Vert: 8=-306
- 13) Dead + 0.6 MWFRS Wind (Neg. Internal) 2nd Parallel: Lumber Increase=1.60, Plate Increase=1.60
Uniform Loads (plf)
Vert: 1-2=-2, 2-3=-11, 3-4=-2, 3-5=-151, 2-6=-20
Horz: 1-2=-18, 2-3=9, 3-4=-18
Concentrated Loads (lb)
Vert: 8=-306

Continued on page 3

WARNING - Verify design parameters and READ NOTES ON THIS AND INCLUDED MITEK REFERENCE PAGE MII-7473 rev. 5/19/2020 BEFORE USE.
Design valid for use only with MiTek® connectors. This design is based only upon parameters shown, and is for an individual building component, not a truss system. Before use, the building designer must verify the applicability of design parameters and properly incorporate this design into the overall building design. Bracing indicated is to prevent buckling of individual truss web and/or chord members only. Additional temporary and permanent bracing is always required for stability and to prevent collapse with possible personal injury and property damage. For general guidance regarding the fabrication, storage, delivery, erection and bracing of trusses and truss systems, see **ANSI/TP1 Quality Criteria, DSB-89 and BCSI Building Component Safety Information** available from Truss Plate Institute, 2670 Crain Highway, Suite 203 Waldorf, MD 20601



818 Soundside Road
Edenton, NC 27932

Job	Truss	Truss Type	Qty	Ply	Lot 4 Cameron Rd.	E16001321
J0721-4306	M2A	HALF HIP	1	2	Job Reference (optional)	

Comtech, Inc, Fayetteville, NC - 28314,

8.430 s Jun 2 2021 MiTek Industries, Inc. Tue Aug 3 07:54:44 2021 Page 3
ID:I4HRAT3eIT9qoRIdAoEs_5z0Axy-67jaUnSa6D8NINQh?5shXaxt?baLwglwjmfBWYrd5f

LOAD CASE(S) Standard

- 14) Dead: Lumber Increase=0.90, Plate Increase=0.90 Plt. metal=0.90
Uniform Loads (plf)
Vert: 1-3=-20, 3-4=-20, 3-5=-240, 2-6=-20
Concentrated Loads (lb)
Vert: 8=-250
- 15) Dead + 0.75 Roof Live (bal.) + 0.75 Attic Floor + 0.75(0.6 MWFRS Wind (Neg. Int) Left): Lumber Increase=1.60, Plate Increase=1.60
Uniform Loads (plf)
Vert: 1-2=-33, 2-3=-40, 3-4=-33, 3-8=-201, 5-8=-231, 2-6=-20
Horz: 1-2=-17, 2-3=-10, 3-4=-17
Concentrated Loads (lb)
Vert: 8=-480
- 16) Dead + 0.75 Roof Live (bal.) + 0.75 Attic Floor + 0.75(0.6 MWFRS Wind (Neg. Int) Right): Lumber Increase=1.60, Plate Increase=1.60
Uniform Loads (plf)
Vert: 1-2=-33, 2-3=-39, 3-4=-33, 3-8=-201, 5-8=-231, 2-6=-20
Horz: 1-2=-17, 2-3=-11, 3-4=-17
Concentrated Loads (lb)
Vert: 8=-480
- 17) Dead + 0.75 Roof Live (bal.) + 0.75 Attic Floor + 0.75(0.6 MWFRS Wind (Neg. Int) 1st Parallel): Lumber Increase=1.60, Plate Increase=1.60
Uniform Loads (plf)
Vert: 1-2=-24, 2-3=-31, 3-4=-24, 3-8=-213, 5-8=-243, 2-6=-20
Horz: 1-2=-26, 2-3=-19, 3-4=-26
Concentrated Loads (lb)
Vert: 8=-480
- 18) Dead + 0.75 Roof Live (bal.) + 0.75 Attic Floor + 0.75(0.6 MWFRS Wind (Neg. Int) 2nd Parallel): Lumber Increase=1.60, Plate Increase=1.60
Uniform Loads (plf)
Vert: 1-2=-36, 2-3=-43, 3-4=-36, 3-8=-213, 5-8=-243, 2-6=-20
Horz: 1-2=-14, 2-3=-7, 3-4=-14
Concentrated Loads (lb)
Vert: 8=-480
- 19) 1st Dead + Roof Live (unbalanced): Lumber Increase=1.15, Plate Increase=1.15
Uniform Loads (plf)
Vert: 1-3=-60, 3-4=-60, 3-8=-160, 5-8=-200, 2-6=-20
Concentrated Loads (lb)
Vert: 8=-500
- 20) 2nd Dead + Roof Live (unbalanced): Lumber Increase=1.15, Plate Increase=1.15
Uniform Loads (plf)
Vert: 1-3=-20, 3-4=-20, 3-8=-160, 5-8=-200, 2-6=-20
Concentrated Loads (lb)
Vert: 8=-500
- 21) 3rd Dead + 0.75 Roof Live (unbalanced): Lumber Increase=1.15, Plate Increase=1.15
Uniform Loads (plf)
Vert: 1-3=-50, 3-4=-50, 3-8=-220, 5-8=-250, 2-6=-20
Concentrated Loads (lb)
Vert: 8=-438
- 22) 4th Dead + 0.75 Roof Live (unbalanced): Lumber Increase=1.15, Plate Increase=1.15
Uniform Loads (plf)
Vert: 1-3=-20, 3-4=-20, 3-8=-220, 5-8=-250, 2-6=-20
Concentrated Loads (lb)
Vert: 8=-438

WARNING - Verify design parameters and READ NOTES ON THIS AND INCLUDED MITEK REFERENCE PAGE MII-7473 rev. 5/19/2020 BEFORE USE.
Design valid for use only with MiTek® connectors. This design is based only upon parameters shown, and is for an individual building component, not a truss system. Before use, the building designer must verify the applicability of design parameters and properly incorporate this design into the overall building design. Bracing indicated is to prevent buckling of individual truss web and/or chord members only. Additional temporary and permanent bracing is always required for stability and to prevent collapse with possible personal injury and property damage. For general guidance regarding the fabrication, storage, delivery, erection and bracing of trusses and truss systems, see **ANSI/TPI1 Quality Criteria, DSB-89 and BCSI Building Component Safety Information** available from Truss Plate Institute, 2670 Crain Highway, Suite 203 Waldorf, MD 20601



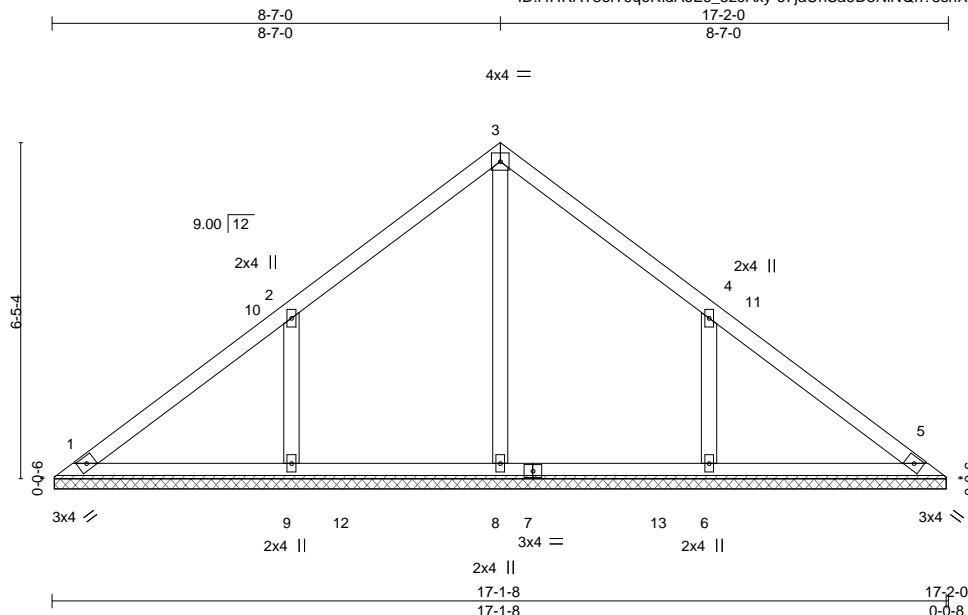
818 Soundside Road
Edenton, NC 27932

Job J0721-4306	Truss V1	Truss Type VALLEY	Qty 1	Ply 1	Lot 4 Cameron Rd. Job Reference (optional)	E16001322
-------------------	-------------	----------------------	----------	----------	---	-----------

Comtech, Inc. Fayetteville, NC - 28314,

8.430 s Jun 2 2021 MiTek Industries, Inc. Tue Aug 3 07:54:44 2021 Page 1

ID:4HRAT3eIT9qoRldAoEs_5z0Axy-67jaUnSa6D8NINQh75shXaxubZ1wfkowjmFBWyrdf5f



Scale = 1:41.5

Plate Offsets (X,Y)-- [4:0-0-0,0-0-0]

LOADING (psf)	SPACING-	CSI.	DEFL.	PLATES	GRIP
TCLL 20.0	2-0-0	TC 0.20	in (loc) l/defl L/d	MT20	244/190
TCDL 10.0	Plate Grip DOL 1.15	BC 0.17	Vert(LL) n/a - n/a 999		
BCLL 0.0 *	Lumber DOL 1.15	WB 0.10	Vert(CT) n/a - n/a 999		
BCDL 10.0	Rep Stress Incr YES	Matrix-S	Horz(CT) 0.00 5 n/a n/a		
	Code IRC2015/TPI2014			Weight: 73 lb	FT = 20%

LUMBER-
TOP CHORD 2x4 SP No.1
BOT CHORD 2x4 SP No.1
OTHERS 2x4 SP No.2

BRACING-
TOP CHORD Structural wood sheathing directly applied or 6-0-0 oc purlins.
BOT CHORD Rigid ceiling directly applied or 10-0-0 oc bracing.

REACTIONS. All bearings 17-1-0.
(lb) - Max Horz 1=195(LC 9)
Max Uplift All uplift 100 lb or less at joint(s) 1 except 9=218(LC 12), 6=218(LC 13)
Max Grav All reactions 250 lb or less at joint(s) 1, 5 except 8=418(LC 19), 9=496(LC 19), 6=496(LC 20)

FORCES. (lb) - Max. Comp./Max. Ten. - All forces 250 (lb) or less except when shown.
WEBS 2-9=-455/344, 4-6=-455/345

- NOTES-**
- Unbalanced roof live loads have been considered for this design.
 - Wind: ASCE 7-10; Vult=150mph Vasd=119mph; TCCL=6.0psf; BCDL=6.0psf; h=15ft; Cat. II; Exp C; Enclosed; MWFRS (envelope) and C-C Exterior(2) 0-5-5 to 4-7-0, Interior(1) 4-7-0 to 8-7-0, Exterior(2) 8-7-0 to 12-11-13, Interior(1) 12-11-13 to 16-8-11 zone; C-C for members and forces & MWFRS for reactions shown; Lumber DOL=1.60 plate grip DOL=1.60
 - Gable requires continuous bottom chord bearing.
 - This truss has been designed for a 10.0 psf bottom chord live load nonconcurrent with any other live loads.
 - * This truss has been designed for a live load of 30.0psf on the bottom chord in all areas where a rectangle 3-6-0 tall by 2-0-0 wide will fit between the bottom chord and any other members, with BCDL = 10.0psf.
 - Provide mechanical connection (by others) of truss to bearing plate capable of withstanding 100 lb uplift at joint(s) 1 except (jt=lb) 9=218, 6=218.
 - This truss is designed in accordance with the 2015 International Residential Code sections R502.11.1 and R802.10.2 and referenced standard ANSI/TPI 1.



August 3, 2021

WARNING - Verify design parameters and READ NOTES ON THIS AND INCLUDED MITEK REFERENCE PAGE MII-7473 rev. 5/19/2020 BEFORE USE.
Design valid for use only with MiTek® connectors. This design is based only upon parameters shown, and is for an individual building component, not a truss system. Before use, the building designer must verify the applicability of design parameters and properly incorporate this design into the overall building design. Bracing indicated is to prevent buckling of individual truss web and/or chord members only. Additional temporary and permanent bracing is always required for stability and to prevent collapse with possible personal injury and property damage. For general guidance regarding the fabrication, storage, delivery, erection and bracing of trusses and truss systems, see **ANSI/TPI1 Quality Criteria, DSB-89 and BCSI Building Component Safety Information** available from Truss Plate Institute, 2670 Crain Highway, Suite 203 Waldorf, MD 20601

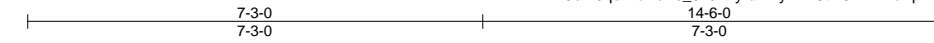


818 Soundside Road
Edenton, NC 27932

Job J0721-4306	Truss V2	Truss Type VALLEY	Qty 1	Ply 1	Lot 4 Cameron Rd. Job Reference (optional)	E16001323
-------------------	-------------	----------------------	----------	----------	---	-----------

Comtech, Inc, Fayetteville, NC - 28314,

8,430 s Jun 2 2021 MiTek Industries, Inc. Tue Aug 3 07:54:45 2021 Page 1
ID:14HRAT3eIT9qoRIdAoEs_5z0Axy-aKH7TCiXGENX?uZpNw4nU4U?wb6Ll8NVokkyrd5e



4x4 =

Scale = 1:34.6

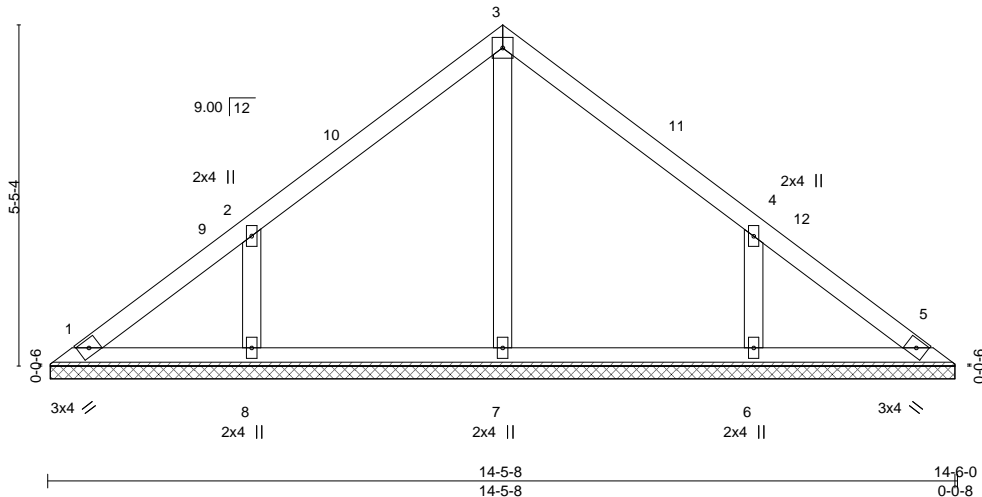


Plate Offsets (X,Y)-- [4:0-0-0,0-0-0]

LOADING (psf)	SPACING-	CSI.	DEFL.	in (loc)	l/defl	L/d	PLATES	GRIP
TCLL 20.0	2-0-0	TC 0.15	Vert(LL)	n/a	-	n/a	MT20	244/190
TCDL 10.0	Plate Grip DOL 1.15	BC 0.08	Vert(CT)	n/a	-	n/a		
BCLL 0.0 *	Lumber DOL 1.15	WB 0.08	Horz(CT)	0.00	5	n/a		
BCDL 10.0	Rep Stress Incr YES	Matrix-S					Weight: 60 lb	FT = 20%
	Code IRC2015/TPI2014							

LUMBER-

TOP CHORD 2x4 SP No.1
BOT CHORD 2x4 SP No.1
OTHERS 2x4 SP No.2

BRACING-

TOP CHORD Structural wood sheathing directly applied or 6-0-0 oc purlins.
BOT CHORD Rigid ceiling directly applied or 10-0-0 oc bracing.

REACTIONS.

All bearings 14-5-0.
(lb) - Max Horz 1=163(LC 9)
Max Uplift All uplift 100 lb or less at joint(s) 1 except 8=184(LC 12), 6=184(LC 13)
Max Grav All reactions 250 lb or less at joint(s) 1, 5, 7 except 8=375(LC 19), 6=375(LC 20)

FORCES.

(lb) - Max. Comp./Max. Ten. - All forces 250 (lb) or less except when shown.
WEBS 2-8=-388/310, 4-6=-388/310

NOTES-

- Unbalanced roof live loads have been considered for this design.
- Wind: ASCE 7-10; Vult=150mph Vasd=119mph; TCCL=6.0psf; BCCL=6.0psf; h=15ft; Cat. II; Exp C; Enclosed; MWFRS (envelope) and C-C Exterior(2) 0-5-5 to 4-10-1, Interior(1) 4-10-1 to 7-3-0, Exterior(2) 7-3-0 to 11-7-13, Interior(1) 11-7-13 to 14-0-11 zone; C-C for members and forces & MWFRS for reactions shown; Lumber DOL=1.60 plate grip DOL=1.60
- Gable requires continuous bottom chord bearing.
- This truss has been designed for a 10.0 psf bottom chord live load nonconcurrent with any other live loads.
- * This truss has been designed for a live load of 30.0psf on the bottom chord in all areas where a rectangle 3-6-0 tall by 2-0-0 wide will fit between the bottom chord and any other members.
- Provide mechanical connection (by others) of truss to bearing plate capable of withstanding 100 lb uplift at joint(s) 1 except (jt=lb) 8=184, 6=184.
- This truss is designed in accordance with the 2015 International Residential Code sections R502.11.1 and R802.10.2 and referenced standard ANSI/TPI 1.



August 3, 2021

WARNING - Verify design parameters and READ NOTES ON THIS AND INCLUDED MITEK REFERENCE PAGE MII-7473 rev. 5/19/2020 BEFORE USE.

Design valid for use only with MiTek® connectors. This design is based only upon parameters shown, and is for an individual building component, not a truss system. Before use, the building designer must verify the applicability of design parameters and properly incorporate this design into the overall building design. Bracing indicated is to prevent buckling of individual truss web and/or chord members only. Additional temporary and permanent bracing is always required for stability and to prevent collapse with possible personal injury and property damage. For general guidance regarding the fabrication, storage, delivery, erection and bracing of trusses and truss systems, see **ANSI/TPI1 Quality Criteria, DSB-89 and BCSI Building Component Safety Information** available from Truss Plate Institute, 2670 Crain Highway, Suite 203 Waldorf, MD 20601

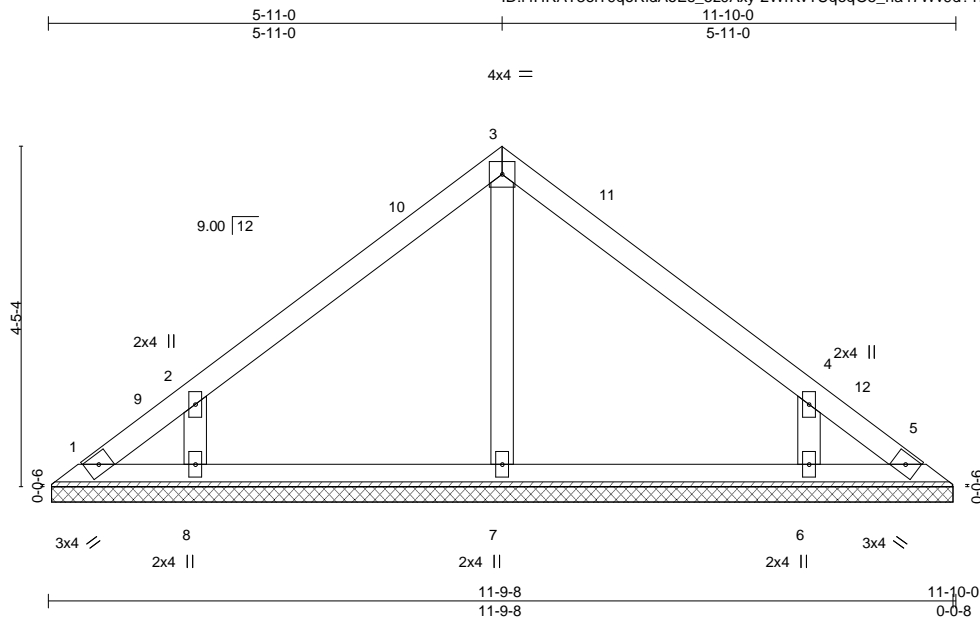


818 Soundside Road
Edenton, NC 27932

Job	Truss	Truss Type	Qty	Ply	Lot 4 Cameron Rd.	E16001324
J0721-4306	V3	VALLEY	1	1	Job Reference (optional)	

Comtech, Inc, Fayetteville, NC - 28314,

8,430 s Jun 2 2021 MiTek Industries, Inc. Tue Aug 3 07:54:46 2021 Page 1
 ID:I4HRAT3eIT9qoRIdAoEs_5z0Axy-2WrKvTUqeqO5_ha47Wv9d?1EIPGIOavvN0FLGPyr5d



Scale = 1:28.3

Plate Offsets (X,Y)-- [4:0-0-0,0-0-0]

LOADING (psf)	SPACING-	CSI.	DEFL.	PLATES	GRIP
TCLL 20.0	2-0-0	TC 0.14	in (loc) l/defl L/d	MT20	244/190
TCDL 10.0	Plate Grip DOL 1.15	BC 0.09	Vert(LL) n/a - n/a 999		
BCLL 0.0 *	Lumber DOL 1.15	WB 0.06	Vert(CT) n/a - n/a 999		
BCDL 10.0	Rep Stress Incr YES	Matrix-S	Horz(CT) 0.00 5 n/a n/a		
	Code IRC2015/TPI2014			Weight: 46 lb	FT = 20%

LUMBER-
 TOP CHORD 2x4 SP No.1
 BOT CHORD 2x4 SP No.1
 OTHERS 2x4 SP No.2

BRACING-
 TOP CHORD Structural wood sheathing directly applied or 6-0-0 oc purlins.
 BOT CHORD Rigid ceiling directly applied or 10-0-0 oc bracing.

REACTIONS. All bearings 11-9-0.
 (lb) - Max Horz 1=131(LC 8)
 Max Uplift All uplift 100 lb or less at joint(s) 1, 5 except 8=-172(LC 12), 6=-171(LC 13)
 Max Grav All reactions 250 lb or less at joint(s) 1, 5 except 7=253(LC 1), 8=343(LC 19), 6=342(LC 20)

FORCES. (lb) - Max. Comp./Max. Ten. - All forces 250 (lb) or less except when shown.
 WEBS 2-8=-372/316, 4-6=-372/316

- NOTES-**
- Unbalanced roof live loads have been considered for this design.
 - Wind: ASCE 7-10; Vult=150mph Vasd=119mph; TCCL=6.0psf; BCCL=6.0psf; h=15ft; Cat. II; Exp C; Enclosed; MWFRS (envelope) and C-C Exterior(2) 0-5-5 to 4-10-1, Interior(1) 4-10-1 to 5-11-0, Exterior(2) 5-11-0 to 10-3-13, Interior(1) 10-3-13 to 11-4-11 zone; C-C for members and forces & MWFRS for reactions shown; Lumber DOL=1.60 plate grip DOL=1.60
 - Gable requires continuous bottom chord bearing.
 - This truss has been designed for a 10.0 psf bottom chord live load nonconcurrent with any other live loads.
 - * This truss has been designed for a live load of 30.0psf on the bottom chord in all areas where a rectangle 3-6-0 tall by 2-0-0 wide will fit between the bottom chord and any other members.
 - Provide mechanical connection (by others) of truss to bearing plate capable of withstanding 100 lb uplift at joint(s) 1, 5 except (jt=lb) 8=172, 6=171.
 - This truss is designed in accordance with the 2015 International Residential Code sections R502.11.1 and R802.10.2 and referenced standard ANSI/TPI 1.



August 3, 2021

WARNING - Verify design parameters and READ NOTES ON THIS AND INCLUDED MITEK REFERENCE PAGE MII-7473 rev. 5/19/2020 BEFORE USE.
 Design valid for use only with MiTek® connectors. This design is based only upon parameters shown, and is for an individual building component, not a truss system. Before use, the building designer must verify the applicability of design parameters and properly incorporate this design into the overall building design. Bracing indicated is to prevent buckling of individual truss web and/or chord members only. Additional temporary and permanent bracing is always required for stability and to prevent collapse with possible personal injury and property damage. For general guidance regarding the fabrication, storage, delivery, erection and bracing of trusses and truss systems, see **ANSI/TPI1 Quality Criteria, DSB-89 and BCSI Building Component Safety Information** available from Truss Plate Institute, 2670 Crain Highway, Suite 203 Waldorf, MD 20601

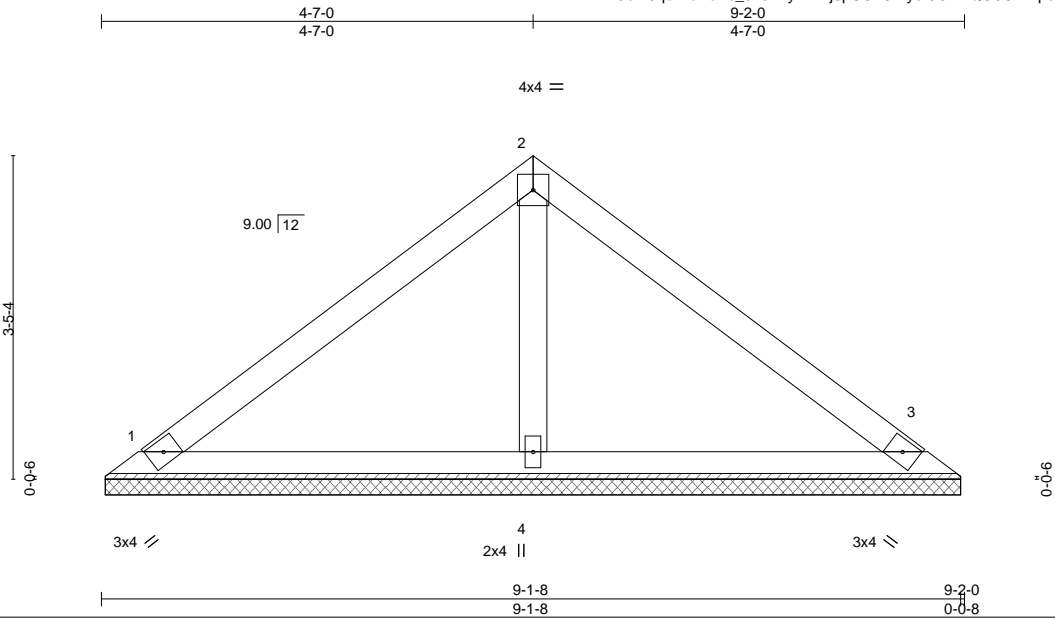


818 Soundside Road
 Edenton, NC 27932

Job J0721-4306	Truss V4	Truss Type VALLEY	Qty 1	Ply 1	Lot 4 Cameron Rd. Job Reference (optional)	E16001325
-------------------	-------------	----------------------	----------	----------	---	-----------

Comtech, Inc, Fayetteville, NC - 28314,

8.430 s Jun 2 2021 MiTek Industries, Inc. Tue Aug 3 07:54:47 2021 Page 1
ID:I4HRAT3eIT9qoRldAoEs_5z0Axy-WiPj6pUSP8Wycr9GhDQO9CZPlpcP71R2cg_voryrd5c



Scale = 1:23.0

LOADING (psf)	SPACING-	CSI.	DEFL.	PLATES	GRIP
TCLL 20.0	2-0-0	TC 0.19	in (loc) l/defl L/d	MT20	244/190
TCDL 10.0	Plate Grip DOL 1.15	BC 0.13	Vert(LL) n/a - n/a 999		
BCLL 0.0 *	Lumber DOL 1.15	WB 0.04	Vert(CT) n/a - n/a 999		
BCDL 10.0	Rep Stress Incr YES	Matrix-S	Horz(CT) 0.00 3 n/a n/a		
	Code IRC2015/TPI2014			Weight: 33 lb	FT = 20%

LUMBER-

TOP CHORD 2x4 SP No.1
BOT CHORD 2x4 SP No.1
OTHERS 2x4 SP No.2

BRACING-

TOP CHORD Structural wood sheathing directly applied or 6-0-0 oc purlins.
BOT CHORD Rigid ceiling directly applied or 10-0-0 oc bracing.

REACTIONS.

(size) 1=9-1-0, 3=9-1-0, 4=9-1-0
Max Horz 1=99(LC 11)
Max Uplift 1=42(LC 12), 3=52(LC 13), 4=24(LC 12)
Max Grav 1=171(LC 1), 3=172(LC 20), 4=321(LC 1)

FORCES. (lb) - Max. Comp./Max. Ten. - All forces 250 (lb) or less except when shown.

NOTES-

- Unbalanced roof live loads have been considered for this design.
- Wind: ASCE 7-10; Vult=150mph Vasd=119mph; TCCL=6.0psf; BCCL=6.0psf; h=15ft; Cat. II; Exp C; Enclosed; MWFRS (envelope) and C-C Exterior(2) zone; C-C for members and forces & MWFRS for reactions shown; Lumber DOL=1.60 plate grip DOL=1.60
- Gable requires continuous bottom chord bearing.
- This truss has been designed for a 10.0 psf bottom chord live load nonconcurrent with any other live loads.
- * This truss has been designed for a live load of 30.0psf on the bottom chord in all areas where a rectangle 3-6-0 tall by 2-0-0 wide will fit between the bottom chord and any other members.
- Provide mechanical connection (by others) of truss to bearing plate capable of withstanding 100 lb uplift at joint(s) 1, 3, 4.
- This truss is designed in accordance with the 2015 International Residential Code sections R502.11.1 and R802.10.2 and referenced standard ANSI/TPI 1.



August 3, 2021

WARNING - Verify design parameters and READ NOTES ON THIS AND INCLUDED MITEK REFERENCE PAGE MII-7473 rev. 5/19/2020 BEFORE USE.
Design valid for use only with MiTek® connectors. This design is based only upon parameters shown, and is for an individual building component, not a truss system. Before use, the building designer must verify the applicability of design parameters and properly incorporate this design into the overall building design. Bracing indicated is to prevent buckling of individual truss web and/or chord members only. Additional temporary and permanent bracing is always required for stability and to prevent collapse with possible personal injury and property damage. For general guidance regarding the fabrication, storage, delivery, erection and bracing of trusses and truss systems, see **ANSI/TPI1 Quality Criteria, DSB-89 and BCSI Building Component Safety Information** available from Truss Plate Institute, 2670 Crain Highway, Suite 203 Waldorf, MD 20601

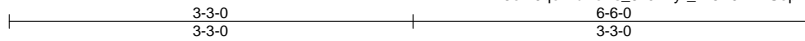


818 Soundside Road
Edenton, NC 27932

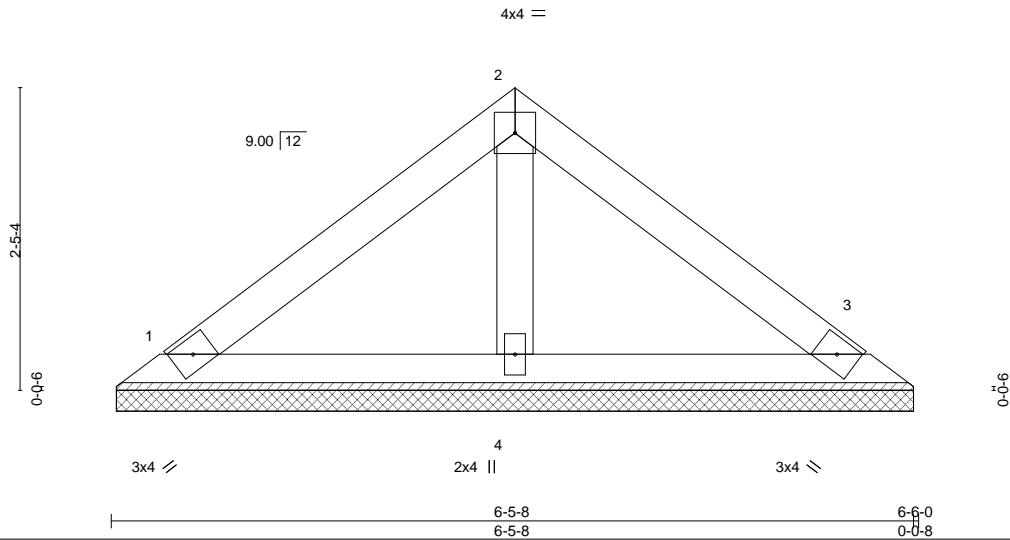
Job J0721-4306	Truss V5	Truss Type VALLEY	Qty 1	Ply 1	Lot 4 Cameron Rd. Job Reference (optional)	E16001326
-------------------	-------------	----------------------	----------	----------	---	-----------

Comtech, Inc, Fayetteville, NC - 28314,

8.430 s Jun 2 2021 MiTek Industries, Inc. Tue Aug 3 07:54:48 2021 Page 1
ID:I4HRAT3elT9qoRldAoEs_5z0Axy-_vz5K9V4ASepE?kTExxdIQ6ayCzisU0CqKkSKHyrd5b



Scale = 1:17.5



LOADING (psf)	SPACING-	CSI.	DEFL.	PLATES	GRIP
TCLL 20.0	2-0-0	TC 0.13	in (loc) l/defl L/d	MT20	244/190
TCDL 10.0	Plate Grip DOL 1.15	BC 0.06	Vert(LL) n/a - n/a 999		
BCLL 0.0 *	Lumber DOL 1.15	WB 0.02	Vert(CT) n/a - n/a 999		
BCDL 10.0	Rep Stress Incr YES	Matrix-P	Horz(CT) 0.00 3 n/a n/a		
	Code IRC2015/TPI2014			Weight: 23 lb	FT = 20%

LUMBER-

TOP CHORD 2x4 SP No.1
BOT CHORD 2x4 SP No.1
OTHERS 2x4 SP No.2

BRACING-

TOP CHORD Structural wood sheathing directly applied or 6-0-0 oc purlins.
BOT CHORD Rigid ceiling directly applied or 10-0-0 oc bracing.

REACTIONS.

(size) 1=6-5-0, 3=6-5-0, 4=6-5-0
Max Horz 1=67(LC 8)
Max Uplift 1=37(LC 12), 3=44(LC 13)
Max Grav 1=126(LC 1), 3=126(LC 1), 4=197(LC 1)

FORCES. (lb) - Max. Comp./Max. Ten. - All forces 250 (lb) or less except when shown.

NOTES-

- Unbalanced roof live loads have been considered for this design.
- Wind: ASCE 7-10; Vult=150mph Vasd=119mph; TCCL=6.0psf; BCCL=6.0psf; h=15ft; Cat. II; Exp C; Enclosed; MWFRS (envelope) and C-C Exterior(2) zone;C-C for members and forces & MWFRS for reactions shown; Lumber DOL=1.60 plate grip DOL=1.60
- Gable requires continuous bottom chord bearing.
- This truss has been designed for a 10.0 psf bottom chord live load nonconcurrent with any other live loads.
- * This truss has been designed for a live load of 30.0psf on the bottom chord in all areas where a rectangle 3-6-0 tall by 2-0-0 wide will fit between the bottom chord and any other members.
- Provide mechanical connection (by others) of truss to bearing plate capable of withstanding 100 lb uplift at joint(s) 1, 3.
- This truss is designed in accordance with the 2015 International Residential Code sections R502.11.1 and R802.10.2 and referenced standard ANSI/TPI 1.



August 3, 2021

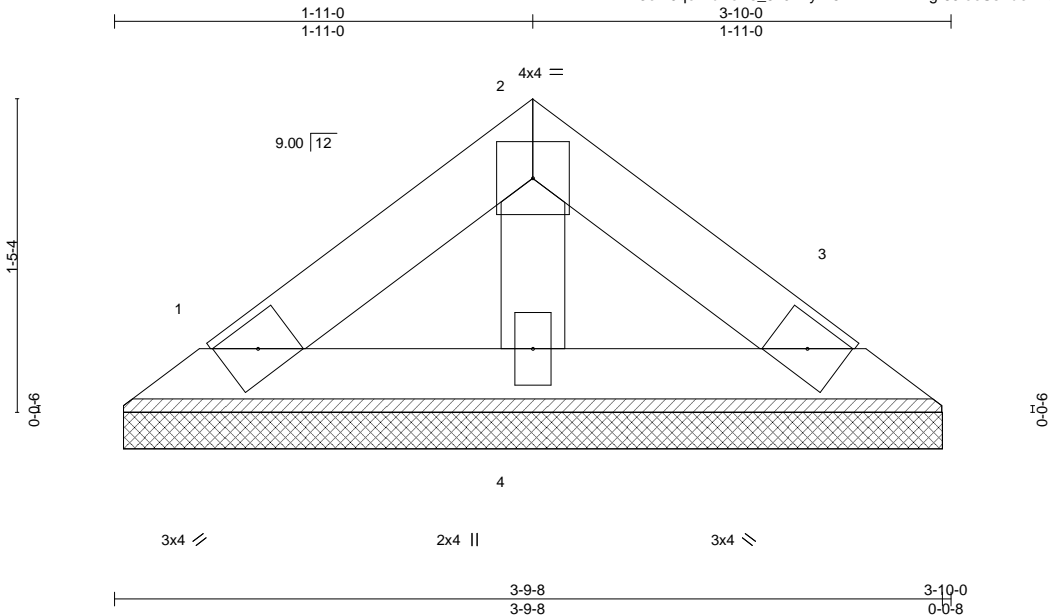
WARNING - Verify design parameters and READ NOTES ON THIS AND INCLUDED MITEK REFERENCE PAGE MII-7473 rev. 5/19/2020 BEFORE USE.
Design valid for use only with MiTek® connectors. This design is based only upon parameters shown, and is for an individual building component, not a truss system. Before use, the building designer must verify the applicability of design parameters and properly incorporate this design into the overall building design. Bracing indicated is to prevent buckling of individual truss web and/or chord members only. Additional temporary and permanent bracing is always required for stability and to prevent collapse with possible personal injury and property damage. For general guidance regarding the fabrication, storage, delivery, erection and bracing of trusses and truss systems, see **ANSI/TPI1 Quality Criteria, DSB-89 and BCSI Building Component Safety Information** available from Truss Plate Institute, 2670 Crain Highway, Suite 203 Waldorf, MD 20601



Job J0721-4306	Truss V6	Truss Type VALLEY	Qty 1	Ply 1	Lot 4 Cameron Rd. Job Reference (optional)	E16001327
-------------------	-------------	----------------------	----------	----------	---	-----------

Comtech, Inc, Fayetteville, NC - 28314,

8,430 s Jun 2 2021 MiTek Industries, Inc. Tue Aug 3 07:54:49 2021 Page 1
ID:14HRAT3elT9qoRldAoEs_5z0Axy-T5WTVXWixlmg8JfoeSsEdenEclbbwNL3_T0tjyrd5a



Scale = 1:9.9

LOADING (psf)	SPACING-	CSI.	DEFL.	PLATES	GRIP
TCLL 20.0	2-0-0	TC 0.03	in (loc) l/defl L/d	MT20	244/190
TCDL 10.0	Plate Grip DOL 1.15	BC 0.02	Vert(LL) n/a - n/a 999		
BCLL 0.0 *	Lumber DOL 1.15	WB 0.01	Vert(CT) n/a - n/a 999		
BCDL 10.0	Rep Stress Incr YES	Matrix-P	Horz(CT) 0.00 3 n/a n/a		
	Code IRC2015/TPI2014			Weight: 12 lb	FT = 20%

LUMBER-

TOP CHORD 2x4 SP No.1
BOT CHORD 2x4 SP No.1
OTHERS 2x4 SP No.2

BRACING-

TOP CHORD Structural wood sheathing directly applied or 3-10-0 oc purlins.
BOT CHORD Rigid ceiling directly applied or 10-0-0 oc bracing.

REACTIONS.

(size) 1=3-9-0, 3=3-9-0, 4=3-9-0
Max Horz 1=35(LC 8)
Max Uplift 1=20(LC 12), 3=23(LC 13)
Max Grav 1=66(LC 1), 3=66(LC 1), 4=104(LC 1)

FORCES. (lb) - Max. Comp./Max. Ten. - All forces 250 (lb) or less except when shown.

NOTES-

- Unbalanced roof live loads have been considered for this design.
- Wind: ASCE 7-10; Vult=150mph Vasd=119mph; TCCL=6.0psf; BCCL=6.0psf; h=15ft; Cat. II; Exp C; Enclosed; MWFRS (envelope) and C-C Exterior(2) zone; C-C for members and forces & MWFRS for reactions shown; Lumber DOL=1.60 plate grip DOL=1.60
- Gable requires continuous bottom chord bearing.
- This truss has been designed for a 10.0 psf bottom chord live load nonconcurrent with any other live loads.
- * This truss has been designed for a live load of 30.0psf on the bottom chord in all areas where a rectangle 3-6-0 tall by 2-0-0 wide will fit between the bottom chord and any other members.
- Provide mechanical connection (by others) of truss to bearing plate capable of withstanding 100 lb uplift at joint(s) 1, 3.
- This truss is designed in accordance with the 2015 International Residential Code sections R502.11.1 and R802.10.2 and referenced standard ANSI/TPI 1.



August 3, 2021

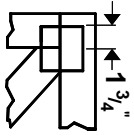
WARNING - Verify design parameters and READ NOTES ON THIS AND INCLUDED MITEK REFERENCE PAGE MII-7473 rev. 5/19/2020 BEFORE USE.
Design valid for use only with MiTek® connectors. This design is based only upon parameters shown, and is for an individual building component, not a truss system. Before use, the building designer must verify the applicability of design parameters and properly incorporate this design into the overall building design. Bracing indicated is to prevent buckling of individual truss web and/or chord members only. Additional temporary and permanent bracing is always required for stability and to prevent collapse with possible personal injury and property damage. For general guidance regarding the fabrication, storage, delivery, erection and bracing of trusses and truss systems, see **ANSI/TPI1 Quality Criteria, DSB-89 and BCSI Building Component Safety Information** available from Truss Plate Institute, 2670 Crain Highway, Suite 203 Waldorf, MD 20601



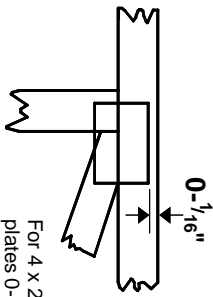
818 Soundside Road
Edenton, NC 27932

Symbols

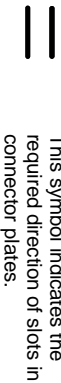
PLATE LOCATION AND ORIENTATION



Center plate on joint unless x, y offsets are indicated. Dimensions are in ft-in-sixteenths. Apply plates to both sides of truss and fully embed teeth.



For 4 X 2 orientation, locate plates 0- $\frac{1}{16}$ " from outside edge of truss.



* Plate location details available in **MITek 20/20** software or upon request.

PLATE SIZE

4 X 4

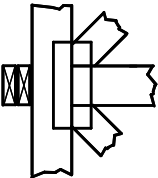
The first dimension is the plate width measured perpendicular to slots. Second dimension is the length parallel to slots.

LATERAL BRACING LOCATION



Indicated by symbol shown and/or by text in the bracing section of the output. Use T or I bracing if indicated.

BEARING

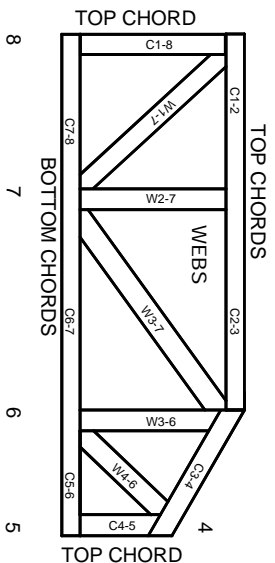


Indicates location where bearings (supports) occur. Icons vary but reaction section indicates joint number where bearings occur. Min size shown is for crushing only.

Industry Standards:

ANSI/TP1: National Design Specification for Metal Plate Connected Wood Truss Construction.
DSB-89: Design Standard for Bracing.
BCSI: Building Component Safety Information, Guide to Good Practice for Handling, Installing & Bracing of Metal Plate Connected Wood Trusses.

Numbering System



JOINTS ARE GENERALLY NUMBERED/LETTERED CLOCKWISE AROUND THE TRUSS STARTING AT THE JOINT FARTHEST TO THE LEFT.

CHORDS AND WEBS ARE IDENTIFIED BY END JOINT NUMBER/LETTERS.

PRODUCT CODE APPROVALS

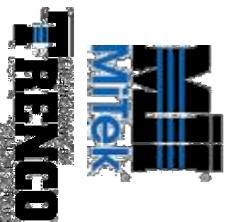
ICC-ES Reports:

ESR-1311, ESR-1352, ESR 1988
ER-3907, ESR-2362, ESR-1397, ESR-3282

Trusses are designed for wind loads in the plane of the truss unless otherwise shown.

Lumber design values are in accordance with ANSI/TP1 section 6.3 These truss designs rely on lumber values established by others.

© 2012 MITek® All Rights Reserved



MITek Engineering Reference Sheet: Mill-7473 rev. 5/19/2020

General Safety Notes

Failure to Follow Could Cause Property Damage or Personal Injury

- Additional stability bracing for truss system, e.g. diagonal or X-bracing, is always required. See BCSI.
- Truss bracing must be designed by an engineer. For wide truss spacing, individual lateral braces themselves may require bracing, or alternative Tor I bracing should be considered.
- Never exceed the design loading shown and never stack materials on inadequately braced trusses.
- Provide copies of this truss design to the building designer, erection supervisor, property owner and all other interested parties.
- Cut members to bear tightly against each other.
- Place plates on each face of truss at each joint and embed fully. Knots and wane at joint locations are regulated by ANSI/TP1.
- Design assumes trusses will be suitably protected from the environment in accord with ANSI/TP1.
- Unless otherwise noted, moisture content of lumber shall not exceed 19% at time of fabrication.
- Unless expressly noted, this design is not applicable for use with fire retardant, preservative treated, or green lumber.
- Camber is a non-structural consideration and is the responsibility of truss fabricator. General practice is to camber for dead load deflection.
- Plate type, size, orientation and location dimensions indicated are minimum plating requirements.
- Lumber used shall be of the species and size, and in all respects, equal to or better than that specified.
- Lumber used shall be sheathed or purlins provided at spacing indicated on design.
- Top chords must be sheathed or purlins provided at spacing indicated on design.
- Bottom chords require lateral bracing at 10 ft. spacing, or less, if no ceiling is installed, unless otherwise noted.
- Connections not shown are the responsibility of others.
- Do not cut or alter truss member or plate without prior approval of an engineer.
- Install and lead vertically unless indicated otherwise.
- Use of green or treated lumber may pose unacceptable environmental, health or performance risks. Consult with project engineer before use.
- Review all portions of this design (front, back, words and pictures) before use. Reviewing pictures alone is not sufficient.
- Design assumes manufacture in accordance with ANSI/TP1 Quality Criteria.
- The design does not take into account any dynamic or other loads other than those expressly stated.



ROOF & FLOOR TRUSSES & BEAMS

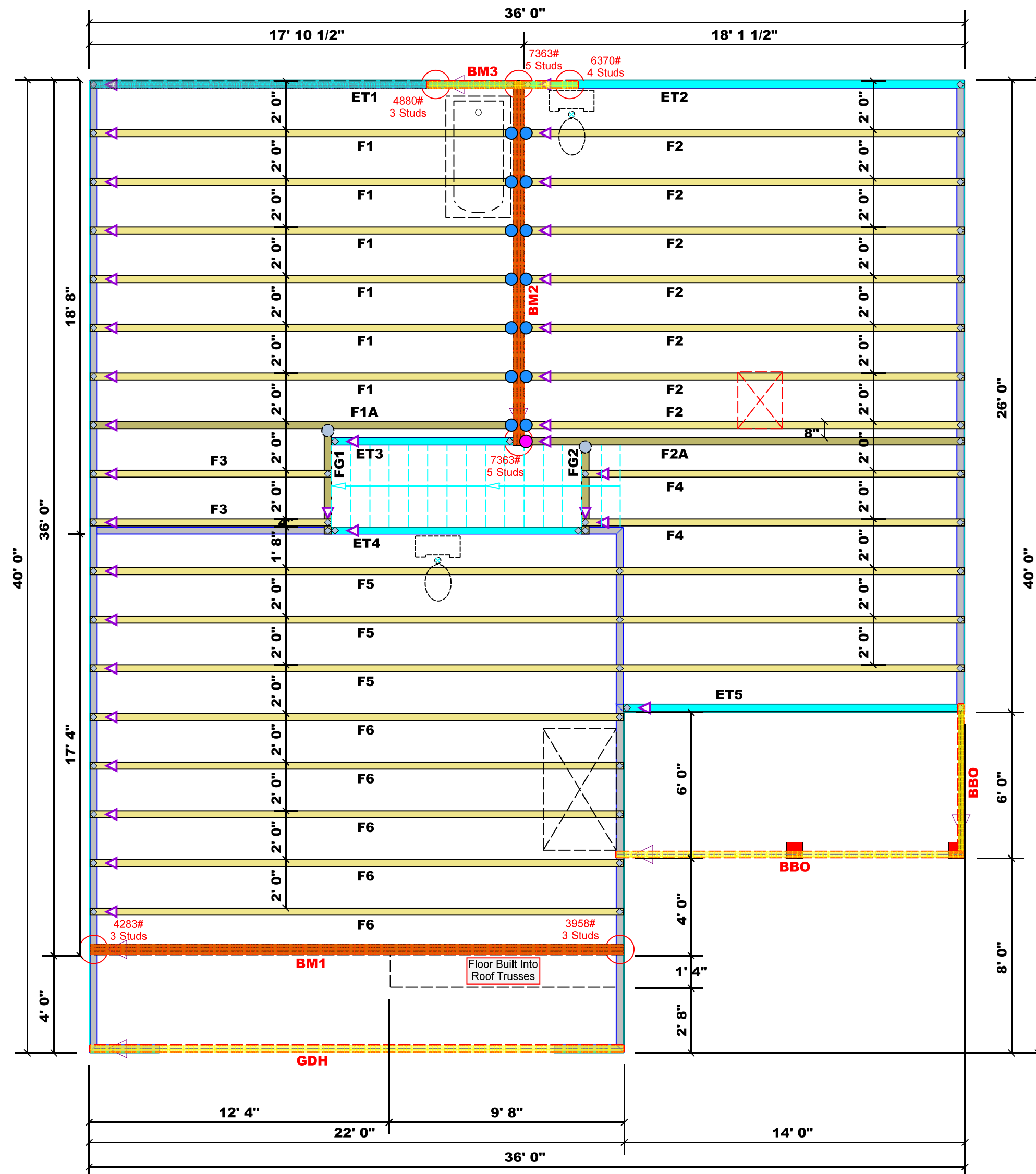
Reilly Road Industrial Park
 Fayetteville, N.C. 28309
 Phone: (910) 864-8787
 Fax: (910) 864-4444

Bearing reactions less than or equal to 3000# are deemed to comply with the prescriptive Code requirements. The contractor shall refer to the attached Tables (derived from the prescriptive Code requirements) to determine the minimum foundation size and number of wood studs required to support reactions greater than 3000# but not greater than 15000#. A registered design professional shall be retained to design the support system for any reaction that exceeds those specified in the attached Tables. A registered design professional shall be retained to design the support system for all reactions that exceed 15000#.

Signature David Landry
 David Landry

LOAD CHART FOR JACK STUDS
(BASED ON TABLES R522.5(1) & (2) - NUMBER OF JACK STUDS REQUIRED @ EA END OF HEADERS/BEAM)

FIN. REACTION (UP TO)	REQ. STUDS FOR (2) END BEAMS	FIN. REACTION (UP TO)	REQ. STUDS FOR (2) END BEAMS	FIN. REACTION (UP TO)	REQ. STUDS FOR (2) END BEAMS
1700	1	2550	1	3400	1
3400	2	5100	2	6800	2
5100	3	7650	3	10200	3
6800	4	10200	4	13600	4
8500	5	12750	5	17000	5
10200	6	15300	6		
11900	7				
13600	8				
15300	9				



Dimension Notes
 1. All exterior wall to wall dimensions are to face of sheathing unless noted otherwise
 2. All interior wall dimensions are to face of frame wall unless noted otherwise
 3. All exterior wall to truss dimensions are to face of frame wall unless noted otherwise

All Walls Shown Are Considered Load Bearing

Plumbing Drop Notes
 1. Plumbing drop locations shown are NOT exact.
 2. Contractor to verify ALL plumbing drop locations prior to setting Floor Trusses.
 3. Adjust spacing as needed not to exceed 24"oc.

Connector Information					Nail Information	
Sym	Product	Manuf	Qty	Supported Member	Header	Truss
●	HUS410	USP	14	NA	16d/3-1/2"	16d/3-1/2"
●	MSH422	USP	2	Varies	10d/3"	10d/3"
●	HD410IF	USP	1	NA	16d/3-1/2"	10d/3"

Products				
PlotID	Length	Product	Plies	Net Qty
BM1	22' 0"	1-3/4"x 16" LVL Kerto-S	3	3
BM2	15' 0"	1-3/4"x 16" LVL Kerto-S	3	3
BM3	7' 0"	1-3/4"x 9-1/4" LVL Kerto-S	2	2
GDH	22' 0"	1-3/4"x 11-7/8" LVL Kerto-S	2	2
GDH2	12' 0"	2x12 SPF No.2	2	2

1 Truss Placement Plan
 Scale: 1/4"=1'

CITY / CO.	ADDRESS	MODEL	DATE REV.	DRAWN BY	SALES REP.
Clayton / Johnston	Lot 4 Cameron Rd.	Floor	08/03/21	David Landry	Lenny Norris
Weston Homes	Lot 4 Cameron Rd.	Brinkley	3-15-19	Quote #	J0721-4310
BUILDER	JOB NAME	PLAN	SEAL DATE	QUOTE #	JOB #

▲ = Indicates Left End of Truss
 (Reference Engineered Truss Drawing)
 Do NOT Erect Truss Backwards

THIS IS A TRUSS PLACEMENT DIAGRAM ONLY. These trusses are designed as individual building components to be incorporated into the building design at the specification of the building designer. See individual design sheets for each truss design identified on the placement drawing. The building designer is responsible for temporary and permanent bracing of the roof and floor system and for the overall structure. The design of the truss support structure including headers, beams, walls, and columns is the responsibility of the building designer. For general guidance regarding bracing, consult BCS-B1 and BCS-B3 provided with the truss delivery package or online @ sbcindustry.com



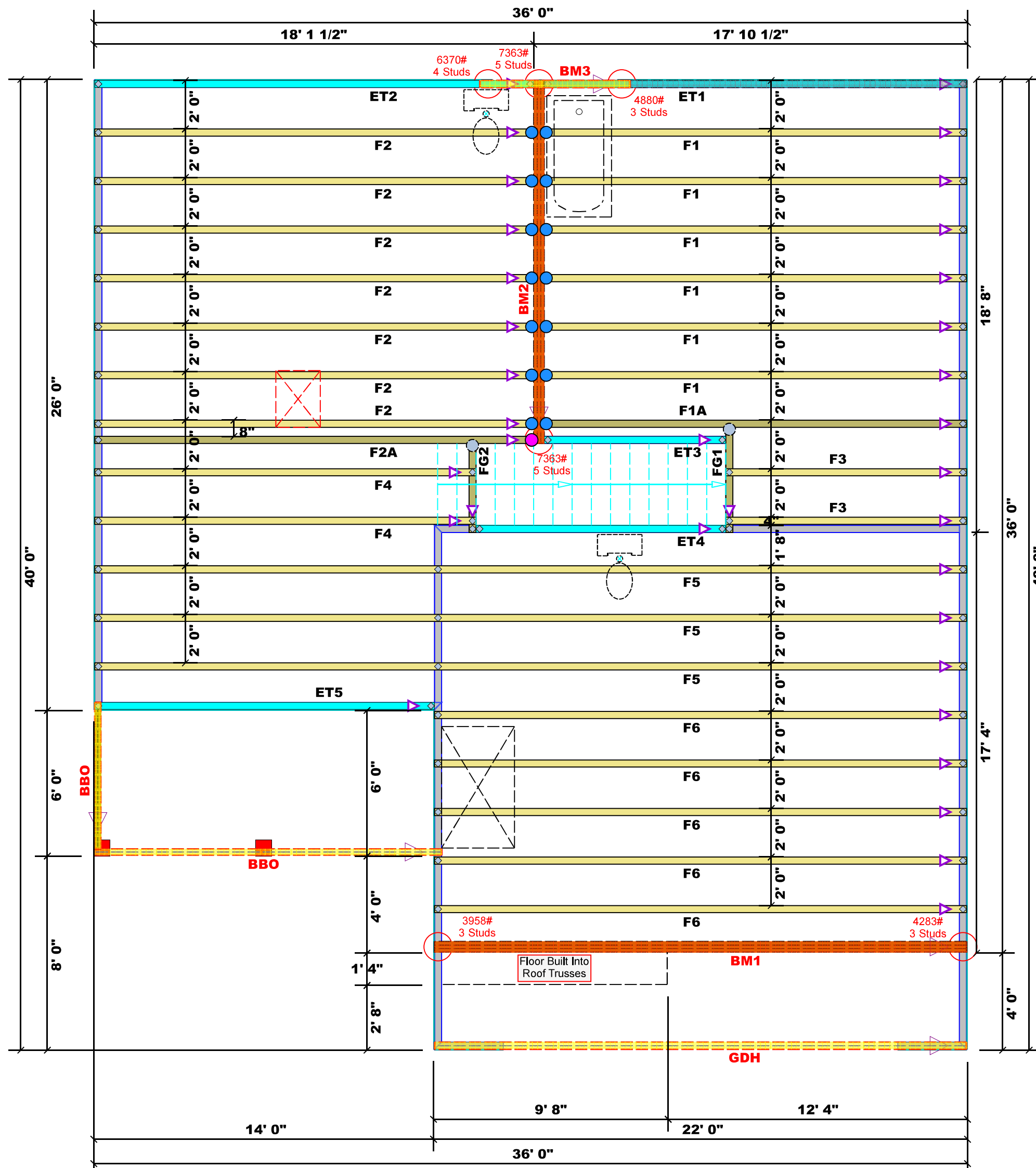
ROOF & FLOOR TRUSSES & BEAMS

Reilly Road Industrial Park
Fayetteville, N.C. 28309
Phone: (910) 864-8787
Fax: (910) 864-4444

Bearing reactions less than or equal to 3000# are deemed to comply with the prescriptive Code requirements. The contractor shall refer to the attached Tables (derived from the prescriptive Code requirements) to determine the minimum foundation size and number of wood studs required to support reactions greater than 3000# but not greater than 15000#. A registered design professional shall be retained to design the support system for any reaction that exceeds those specified in the attached Tables. A registered design professional shall be retained to design the support system for all reactions that exceed 15000#.

Signature David Landry
David Landry

LOAD CHART FOR JACK STUDS			
(BASED ON TABLES R532.5(1) & (2))			
NUMBER OF JACK STUDS REQUIRED @ EACH END OF HEADERS/BEAMS			
FIN. REACTION (LBS/FT)	REQ. STUDS FOR 12" FIN. REACTION	FIN. REACTION (LBS/FT)	REQ. STUDS FOR 12" FIN. REACTION
1700	1	2550	1
3400	2	5100	2
5100	3	7650	3
6800	4	10200	4
8500	5	12750	5
10200	6	15300	6
11900	7		
13600	8		
15300	9		



Dimension Notes

- All exterior wall to wall dimensions are to face of sheathing unless noted otherwise
- All interior wall dimensions are to face of frame wall unless noted otherwise
- All exterior wall to truss dimensions are to face of frame wall unless noted otherwise

All Walls Shown Are Considered Load Bearing

Plumbing Drop Notes

- Plumbing drop locations shown are NOT exact.
- Contractor to verify ALL plumbing drop locations prior to setting Floor Trusses.
- Adjust spacing as needed not to exceed 24"oc.

Connector Information					Nail Information	
Sym	Product	Manuf	Qty	Supported Member	Header	Truss
●	HUS410	USP	14	NA	16d/3-1/2"	16d/3-1/2"
●	MSH422	USP	2	Varies	10d/3"	10d/3"
●	HD410IF	USP	1	NA	16d/3-1/2"	10d/3"

Products					
PlotID	Length	Product	Plies	Net Qty	
BM1	22' 0"	1-3/4" x 16" LVL Kerto-S	3	3	
BM2	15' 0"	1-3/4" x 16" LVL Kerto-S	3	3	
BM3	7' 0"	1-3/4" x 9-1/4" LVL Kerto-S	2	2	
GDH	22' 0"	1-3/4" x 11-7/8" LVL Kerto-S	2	2	
GDH2	12' 0"	2x12 SPF No.2	2	2	

1 Truss Placement Plan
Scale: 1/4"=1'

CITY / CO.	ADDRESS	MODEL	DATE REV.	DRAWN BY	SALES REP.
Clayton / Johnston	Lot 4 Cameron Rd.	Floor	08/03/21	David Landry	Lenny Norris

BUILDER	JOB NAME	PLAN	SEAL DATE	QUOTE #	JOB #
Weston Homes	Lot 4 Cameron	Brinkley	3-15-19	Quote #	J0721-4310

▲ = Indicates Left End of Truss
(Reference Engineered Truss Drawing)
Do NOT Erect Truss Backwards

THIS IS A TRUSS PLACEMENT DIAGRAM ONLY.
These trusses are designed as individual building components to be incorporated into the building design at the specification of the building designer. See individual design sheets for each truss design identified on the placement drawing. The building designer is responsible for temporary and permanent bracing of the roof and floor system and for the overall structure. The design of the truss support structure including headers, beams, walls, and columns is the responsibility of the building designer. For general guidance regarding bracing, consult BCS-B1 and BCS-B3 provided with the truss delivery package or online at sbcindustry.com



Client: Westan Homes

Project:

Address:

Date: 8/3/2021

Input by: David Landry

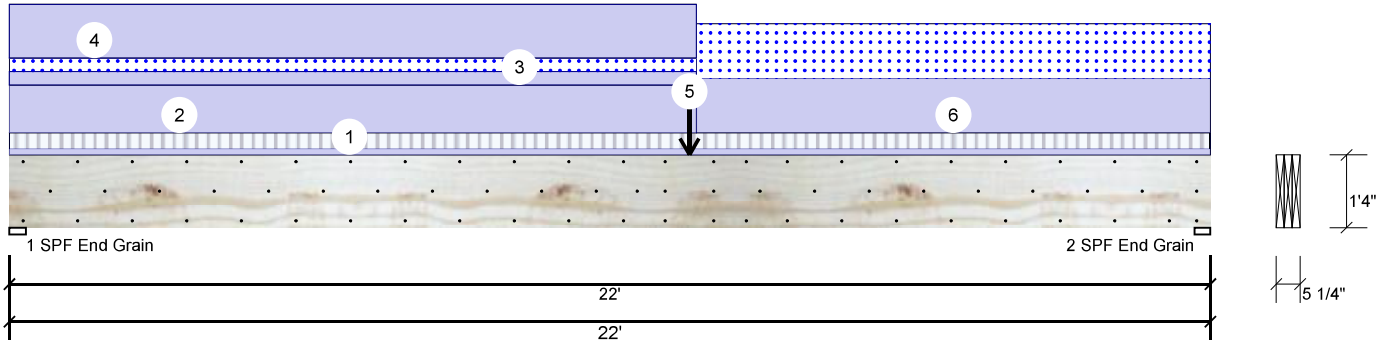
Job Name: Lot 4 Cameron Rd.

Project #: J0721-4310

Page 1 of 11

BM1 Kerto-S LVL 1.750" X 16.000" 3-Ply - PASSED

Level: Level



Member Information

Type:	Girder
Plies:	3
Moisture Condition:	Dry
Deflection LL:	480
Deflection TL:	360
Importance:	Normal - II
Temperature:	Temp <= 100°F

Application:	Floor
Design Method:	ASD
Building Code:	IBC/IRC 2015
Load Sharing:	Yes
Deck:	Not Checked
Ceiling:	Gypsum 1/2"

Reactions UNPATTERNED lb (Uplift)

Brg	Direction	Live	Dead	Snow	Wind	Const
1	Vertical	440	3406	729	0	0
2	Vertical	440	2616	1342	0	0

Bearings

Bearing	Length	Dir.	Cap.	React D/L lb	Total	Ld. Case	Ld. Comb.
1 - SPF End Grain	3.625"	Vert	26%	3406 / 877	4283	L	D+0.75(L+S)
2 - SPF End Grain	3.500"	Vert	25%	2616 / 1342	3958	L	D+S

Analysis Results

Analysis	Actual	Location	Allowed	Capacity	Comb.	Case
Moment	23283 ft-lb	11'3 7/8"	62010 ft-lb	0.375 (38%)	D+0.75(L+S)	L
Unbraced	23283 ft-lb	11'3 7/8"	23317 ft-lb	0.999 (100%)	D+0.75(L+S)	L
Shear	4009 lb	1'7 5/8"	20608 lb	0.195 (19%)	D+0.75(L+S)	L
LL Defl inch	0.150 (L/1723)	11'6 1/16"	0.539 (L/480)	0.279 (28%)	0.75(L+S)	L
TL Defl inch	0.566 (L/457)	11'	0.718 (L/360)	0.788 (79%)	D+0.75(L+S)	L

Design Notes

- 1 Provide support to prevent lateral movement and rotation at the end bearings. Lateral support may also be required at the interior bearings by the building code.
- 2 Fasten all plies using 3 rows of 10d Box nails (.128x3") at 12" o.c. Maximum end distance not to exceed 6".
- 3 Refer to last page of calculations for fasteners required for specified loads.
- 4 Concentrated load fastener specification is in addition to hanger fasteners if a hanger is present.
- 5 Girders are designed to be supported on the bottom edge only.
- 6 Top loads must be supported equally by all plies.
- 7 Top must be laterally braced at a maximum of 7'7 11/16" o.c.
- 8 Lateral slenderness ratio based on single ply width.

ID	Load Type	Location	Trib Width	Side	Dead 0.9	Live 1	Snow 1.15	Wind 1.6	Const. 1.25	Comments
1	Tie-In	0-0-0 to 22-0-0	1-0-0	Top	15 PSF	40 PSF	0 PSF	0 PSF	0 PSF	Floor
2	Part. Uniform	0-0-0 to 12-7-0		Top	120 PLF	0 PLF	0 PLF	0 PLF	0 PLF	Wall
3	Part. Uniform	0-0-0 to 12-7-0		Near Face	34 PLF	0 PLF	34 PLF	0 PLF	0 PLF	M1
4	Part. Uniform	0-0-0 to 12-7-0		Top	135 PLF	0 PLF	0 PLF	0 PLF	0 PLF	C1GE

Continued on page 2...

<p>Notes</p> <p>Calculated Structured Designs is responsible only of the structural adequacy of this component based on the design criteria and loadings shown. It is the responsibility of the customer and/or the contractor to ensure the component suitability of the intended application, and to verify the dimensions and loads.</p> <p>Lumber</p> <ol style="list-style-type: none"> 1. Dry service conditions, unless noted otherwise 2. LVL not to be treated with fire retardant or corrosive chemicals 	<p>Handling & Installation</p> <ol style="list-style-type: none"> 1. LVL beams must not be cut or drilled 2. Refer to manufacturer's product information regarding installation requirements, multi-ply fastening details, beam strength values, and code approvals 3. Damaged Beams must not be used 4. Design assumes top edge is laterally restrained 5. Provide lateral support at bearing points to avoid lateral displacement and rotation 	<p>6. For flat roofs provide proper drainage to prevent ponding</p>	<p>Manufacturer Info</p> <p>Metsä Wood 301 Merritt 7 Building, 2nd Floor Norwalk, CT 06851 (800) 622-5850 www.metsawood.com/us ICC-ES: ESR-3633</p>	<p>Comtech, Inc. 1001 S. Reilly Road, Suite #639 Fayetteville, NC USA 28314 910-864-TRUS</p>
			<p>This design is valid until 5/24/2024</p>	



Client: Westan Homes

Project:

Address:

Date: 8/3/2021

Input by: David Landry

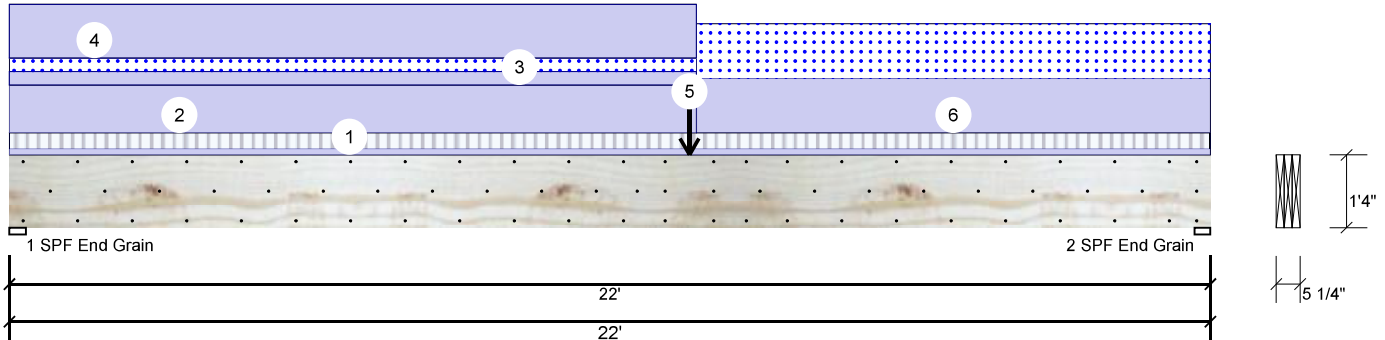
Job Name: Lot 4 Cameron Rd.

Project #: J0721-4310

Page 2 of 11

BM1 Kerto-S LVL 1.750" X 16.000" 3-Ply - PASSED

Level: Level



...Continued from page 1

ID	Load Type	Location	Trib Width	Side	Dead 0.9	Live 1	Snow 1.15	Wind 1.6	Const. 1.25	Comments
5	Point	12-5-8		Near Face	354 lb	0 lb	354 lb	0 lb	0 lb	M2A
6	Part. Uniform Self Weight	12-7-0 to 22-0-0		Near Face	137 PLF 19 PLF	0 PLF	137 PLF	0 PLF	0 PLF	M2

Notes

Calculated Structural Designs is responsible only of the structural adequacy of this component based on the design criteria and loadings shown. It is the responsibility of the customer and/or the contractor to ensure the component suitability of the intended application, and to verify the dimensions and loads.

Lumber

1. Dry service conditions, unless noted otherwise
2. LVL not to be treated with fire retardant or corrosive chemicals

Handling & Installation

1. LVL beams must not be cut or drilled
2. Refer to manufacturer's product information regarding installation requirements, multi-ply fastening details, beam strength values, and code approvals
3. Damaged Beams must not be used
4. Design assumes top edge is laterally restrained
5. Provide lateral support at bearing points to avoid lateral displacement and rotation

6. For flat roofs provide proper drainage to prevent ponding

This design is valid until 5/24/2024

Manufacturer Info

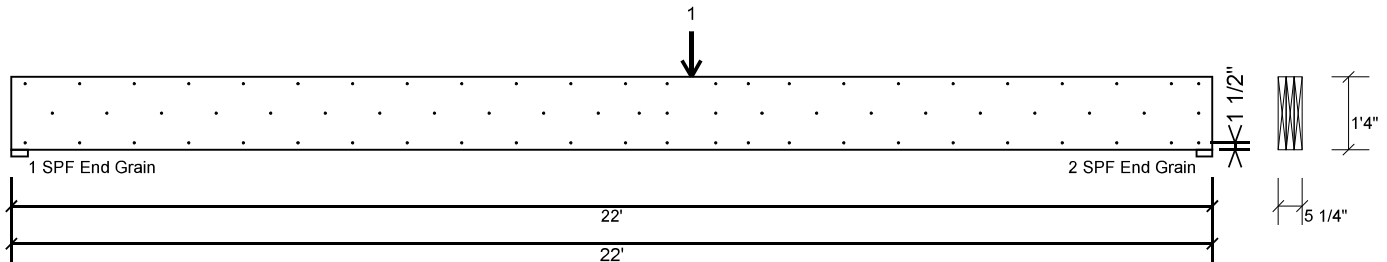
Metsä Wood
301 Merritt 7 Building, 2nd Floor
Norwalk, CT 06851
(800) 622-5850
www.metsawood.com/us
ICC-ES: ESR-3633

Comtech, Inc.
1001 S. Reilly Road, Suite #639
Fayetteville, NC
USA
28314
910-864-TRUS



BM1 Kerto-S LVL 1.750" X 16.000" 3-Ply - PASSED

Level: Level



Multi-Ply Analysis

Fasten all plies using 3 rows of 10d Box nails (.128x3") at 12" o.c., except for regions covered by concentrated load fastening. Nail from both sides. Maximum end distance not to exceed 6".

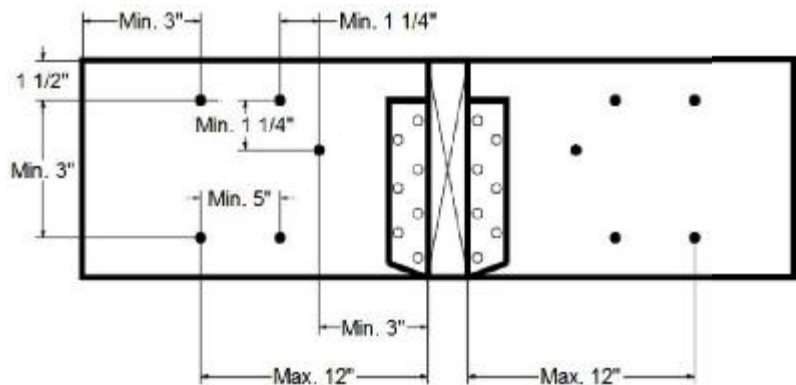
Capacity	64.7 %
Load	182.7 PLF
Yield Limit per Foot	282.4 PLF
Yield Limit per Fastener	94.1 lb.
Yield Mode	IV
Edge Distance	1 1/2"
Min. End Distance	3"
Load Combination	D+S
Duration Factor	1.15

Concentrated Load

Fasten at concentrated side load at 12-5-8 with a minimum of (6) – 10d Box nails (.128x3") in the pattern shown. Repeat fasteners on both sides.

Capacity	83.6 %
Load	472.0lb.
Total Yield Limit	564.7 lb.
Cg	0.9998
Yield Limit per Fastener	94.1 lb.
Yield Mode	IV
Load Combination	D+S
Duration Factor	1.15

Min/Max fastener distances for Concentrated Side Loads



Notes

Calculated Structural Designs is responsible only of the structural adequacy of this component based on the design criteria and loadings shown. It is the responsibility of the customer and/or the contractor to ensure the component suitability of the intended application, and to verify the dimensions and loads.

Lumber

1. Dry service conditions, unless noted otherwise
2. LVL not to be treated with fire retardant or corrosive

chemicals

Handling & Installation

1. LVL beams must not be cut or drilled
2. Refer to manufacturer's product information regarding installation requirements, multi-ply fastening details, beam strength values, and code approvals
3. Damaged Beams must not be used
4. Design assumes top edge is laterally restrained
5. Provide lateral support at bearing points to avoid lateral displacement and rotation

6. For flat roofs provide proper drainage to prevent ponding

Manufacturer Info

Metsä Wood
301 Merritt 7 Building, 2nd Floor
Norwalk, CT 06851
(800) 622-5850
www.metsawood.com/us
ICC-ES: ESR-3633

Comtech, Inc.
1001 S. Reilly Road, Suite #639
Fayetteville, NC
USA
28314
910-864-TRUS



This design is valid until 5/24/2024



Client: Westan Homes

Project:

Address:

Date: 8/3/2021

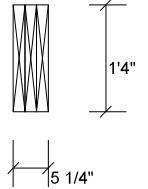
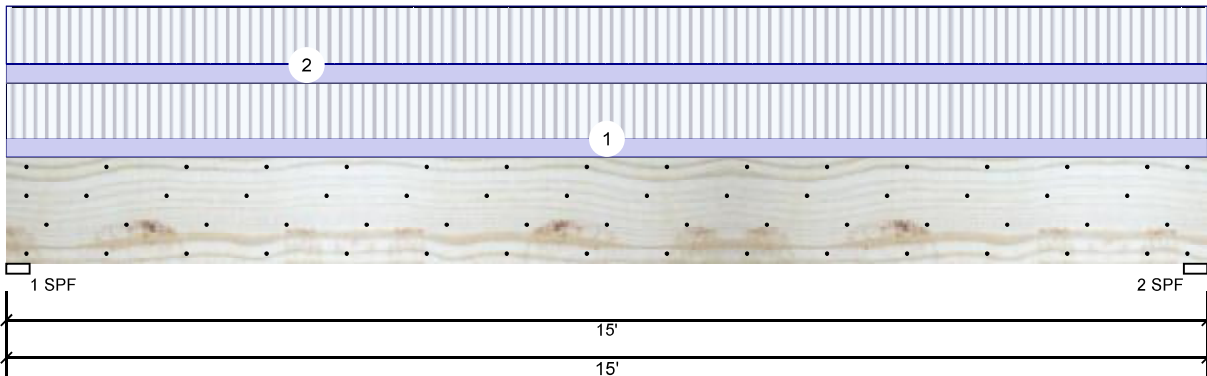
Input by: David Landry

Job Name: Lot 4 Cameron Rd.

Project #: J0721-4310

BM2 Kerto-S LVL 1.750" X 16.000" 3-Ply - PASSED

Level: Level



Member Information

Type:	Girder
Plies:	3
Moisture Condition:	Dry
Deflection LL:	480
Deflection TL:	360
Importance:	Normal - II
Temperature:	Temp <= 100°F

Application:	Floor
Design Method:	ASD
Building Code:	IBC/IRC 2015
Load Sharing:	Yes
Deck:	Not Checked
Ceiling:	Gypsum 1/2"

Reactions UNPATTERNED lb (Uplift)

Brg	Direction	Live	Dead	Snow	Wind	Const
1	Vertical	5415	1948	0	0	0
2	Vertical	5415	1948	0	0	0

Bearings

Bearing	Length	Dir.	Cap.	React D/L lb	Total	Ld. Case	Ld. Comb.
1 - SPF	3.500"	Vert	94%	1948 / 5415	7363	L	D+L
2 - SPF	3.500"	Vert	94%	1948 / 5415	7363	L	D+L

Analysis Results

Analysis	Actual	Location	Allowed	Capacity	Comb.	Case
Moment	26022 ft-lb	7'6"	53922 ft-lb	0.483 (48%)	D+L	L
Unbraced	26022 ft-lb	7'6"	26049 ft-lb	0.999 (100%)	D+L	L
Shear	7076 lb	1'7 1/2"	17920 lb	0.395 (39%)	D+L	L
LL Defl inch	0.230 (L/759)	7'6 1/16"	0.364 (L/480)	0.632 (63%)	L	L
TL Defl inch	0.313 (L/559)	7'6 1/16"	0.485 (L/360)	0.644 (64%)	D+L	L

Design Notes

- 1 Provide support to prevent lateral movement and rotation at the end bearings. Lateral support may also be required at the interior bearings by the building code.
- 2 Fasten all plies using 4 rows of 10d Box nails (.128x3") at 12" o.c. Maximum end distance not to exceed 6".
- 3 Refer to last page of calculations for fasteners required for specified loads.
- 4 Girders are designed to be supported on the bottom edge only.
- 5 Top must be laterally braced at a maximum of 6'8 7/8" o.c.
- 6 Lateral slenderness ratio based on single ply width.

ID	Load Type	Location	Trib Width	Side	Dead 0.9	Live 1	Snow 1.15	Wind 1.6	Const. 1.25	Comments
1	Uniform			Far Face	118 PLF	354 PLF	0 PLF	0 PLF	0 PLF	F1
2	Uniform			Near Face	123 PLF	368 PLF	0 PLF	0 PLF	0 PLF	F2
	Self Weight				19 PLF					

Notes
 Calculated Structured Designs is responsible only of the structural adequacy of this component based on the design criteria and loadings shown. It is the responsibility of the customer and/or the contractor to ensure the component suitability of the intended application, and to verify the dimensions and loads.

Lumber
 1. Dry service conditions, unless noted otherwise
 2. LVL not to be treated with fire retardant or corrosive chemicals

Handling & Installation

1. LVL beams must not be cut or drilled
2. Refer to manufacturer's product information regarding installation requirements, multi-ply fastening details, beam strength values, and code approvals
3. Damaged Beams must not be used
4. Design assumes top edge is laterally restrained
5. Provide lateral support at bearing points to avoid lateral displacement and rotation

6. For flat roofs provide proper drainage to prevent ponding

This design is valid until 5/24/2024

Manufacturer Info

Metsä Wood
 301 Merritt 7 Building, 2nd Floor
 Norwalk, CT 06851
 (800) 622-5850
www.metsawood.com/us
 ICC-ES: ESR-3633

Comtech, Inc.
 1001 S. Reilly Road, Suite #639
 Fayetteville, NC
 USA
 28314
 910-864-TRUS



Client: Westan Homes

Project:

Address:

Date: 8/3/2021

Input by: David Landry

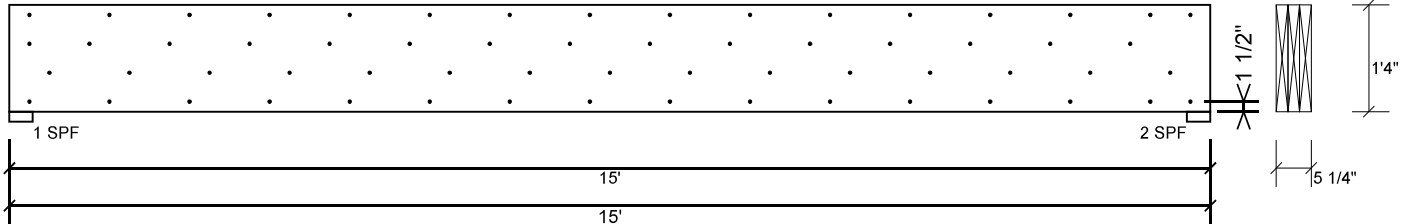
Job Name: Lot 4 Cameron Rd.

Project #: J0721-4310

Page 5 of 11

BM2 Kerto-S LVL 1.750" X 16.000" 3-Ply - PASSED

Level: Level



Multi-Ply Analysis

Fasten all plies using 4 rows of 10d Box nails (.128x3") at 12" o.c.. Nail from both sides. Maximum end distance not to exceed 6".

Capacity	100.0 %
Load	327.3 PLF
Yield Limit per Foot	327.4 PLF
Yield Limit per Fastener	81.9 lb.
Yield Mode	IV
Edge Distance	1 1/2"
Min. End Distance	3"
Load Combination	D+L
Duration Factor	1.00

Notes

Calculated Structural Designs is responsible only of the structural adequacy of this component based on the design criteria and loadings shown. It is the responsibility of the customer and/or the contractor to ensure the component suitability of the intended application, and to verify the dimensions and loads.

Lumber

1. Dry service conditions, unless noted otherwise
2. LVL not to be treated with fire retardant or corrosive

chemicals

Handling & Installation

1. LVL beams must not be cut or drilled
2. Refer to manufacturer's product information regarding installation requirements, multi-ply fastening details, beam strength values, and code approvals
3. Damaged Beams must not be used
4. Design assumes top edge is laterally restrained
5. Provide lateral support at bearing points to avoid lateral displacement and rotation

6. For flat roofs provide proper drainage to prevent ponding

This design is valid until 5/24/2024

Manufacturer Info

Metsä Wood
 301 Merritt 7 Building, 2nd Floor
 Norwalk, CT 06851
 (800) 622-5850
www.metsawood.com/us
 ICC-ES: ESR-3633

Comtech, Inc.
 1001 S. Reilly Road, Suite #639
 Fayetteville, NC
 USA
 28314
 910-864-TRUS





Client: Westan Homes

Project:

Address:

Date: 8/3/2021

Input by: David Landry

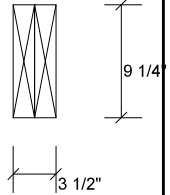
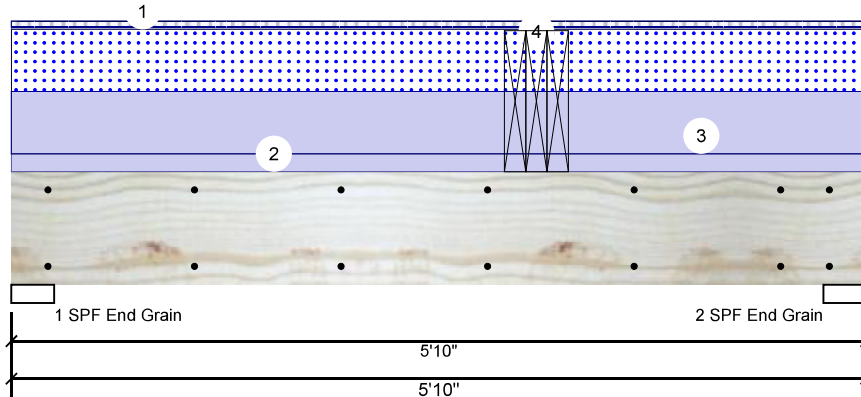
Job Name: Lot 4 Cameron Rd.

Project #: J0721-4310

Page 6 of 11

BM3 Kerto-S LVL 1.750" X 9.250" 2-Ply - PASSED

Level: Level



Member Information

Type:	Girder
Plies:	2
Moisture Condition:	Dry
Deflection LL:	480
Deflection TL:	360
Importance:	Normal - II
Temperature:	Temp <= 100°F

Application:	Floor
Design Method:	ASD
Building Code:	IBC/IRC 2015
Load Sharing:	No
Deck:	Not Checked
Ceiling:	Gypsum 1/2"

Reactions UNPATTERNED lb (Uplift)

Brg	Direction	Live	Dead	Snow	Wind	Const
1	Vertical	2153	2357	1210	0	0
2	Vertical	3496	2840	1210	0	0

Bearings

Bearing	Length	Dir.	Cap.	React D/L lb	Total	Ld. Case	Ld. Comb.
1 - SPF End Grain	3.500"	Vert	46%	2357 / 2522	4880	L	D+0.75(L+S)
2 - SPF End Grain	3.500"	Vert	60%	2840 / 3530	6370	L	D+0.75(L+S)

Analysis Results

Analysis	Actual	Location	Allowed	Capacity	Comb.	Case
Moment	11308 ft-lb	3'7"	12542 ft-lb	0.902 (90%)	D+L	L
Unbraced	11308 ft-lb	3'7"	11320 ft-lb	0.999 (100%)	D+L	L
Shear	5707 lb	4'9 1/4"	6907 lb	0.826 (83%)	D+L	L
LL Defl inch	0.084 (L/764)	3'4 7/8"	0.134 (L/480)	0.628 (63%)	L	L
TL Defl inch	0.143 (L/451)	3'3 5/8"	0.179 (L/360)	0.798 (80%)	D+L	L

Design Notes

- 1 Provide support to prevent lateral movement and rotation at the end bearings. Lateral support may also be required at the interior bearings by the building code.
- 2 Fasten all plies using 2 rows of 10d Box nails (.128x3") at 12" o.c. Maximum end distance not to exceed 6".
- 3 Refer to last page of calculations for fasteners required for specified loads.
- 4 Girders are designed to be supported on the bottom edge only.
- 5 Top loads must be supported equally by all plies.
- 6 Top must be laterally braced at a maximum of 4'3 1/8" o.c.
- 7 Lateral slenderness ratio based on single ply width.

ID	Load Type	Location	Trib Width	Side	Dead 0.9	Live 1	Snow 1.15	Wind 1.6	Const. 1.25	Comments
1	Tie-In	0-0-0 to 5-10-0	1-0-0	Top	15 PSF	40 PSF	0 PSF	0 PSF	0 PSF	Floor
2	Uniform			Top	120 PLF	0 PLF	0 PLF	0 PLF	0 PLF	Wall
3	Uniform			Top	415 PLF	0 PLF	415 PLF	0 PLF	0 PLF	A3
4	Point	3-7-0		Top	1948 lb	5415 lb	0 lb	0 lb	0 lb	BM2 Brg 2
	Bearing Length	0-5-4								
	Self Weight				7 PLF					

Notes

Calculated Structural Designs is responsible only of the structural adequacy of this component based on the design criteria and loadings shown. It is the responsibility of the customer and/or the contractor to ensure the component suitability of the intended application, and to verify the dimensions and loads.

Lumber

1. Dry service conditions, unless noted otherwise
2. LVL not to be treated with fire retardant or corrosive chemicals

Handling & Installation

1. LVL beams must not be cut or drilled
2. Refer to manufacturer's product information regarding installation requirements, multi-ply fastening details, beam strength values, and code approvals
3. Damaged Beams must not be used
4. Design assumes top edge is laterally restrained
5. Provide lateral support at bearing points to avoid lateral displacement and rotation

6. For flat roofs provide proper drainage to prevent ponding

Manufacturer Info

Metsä Wood
301 Merritt 7 Building, 2nd Floor
Norwalk, CT 06851
(800) 622-5850
www.metsawood.com/us
ICC-ES: ESR-3633

Comtech, Inc.
1001 S. Reilly Road, Suite #639
Fayetteville, NC
USA
28314
910-864-TRUS



This design is valid until 5/24/2024



Client: Westan Homes

Project:

Address:

Date: 8/3/2021

Input by: David Landry

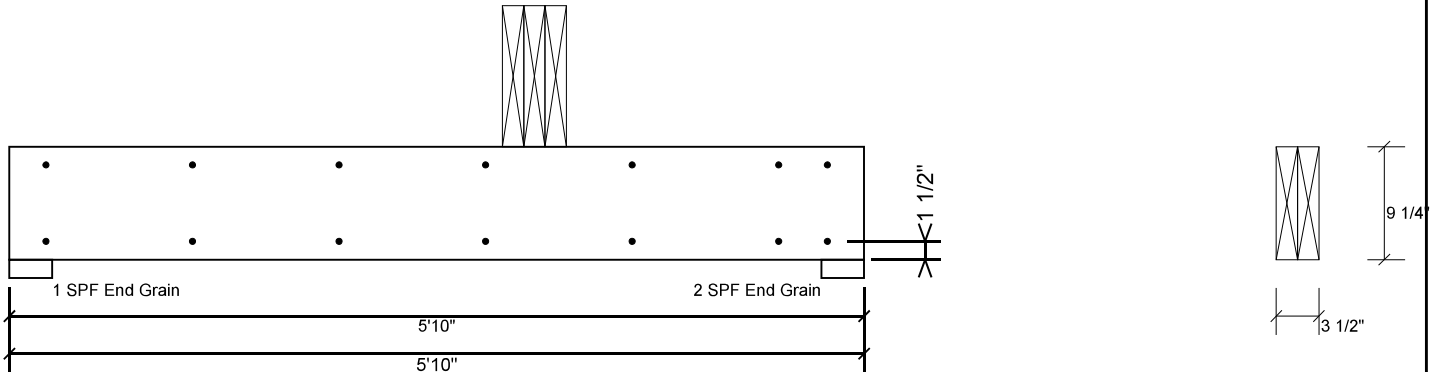
Job Name: Lot 4 Cameron Rd.

Project #: J0721-4310

Page 7 of 11

BM3 Kerto-S LVL 1.750" X 9.250" 2-Ply - PASSED

Level: Level



Multi-Ply Analysis

Fasten all plies using 2 rows of 10d Box nails (.128x3") at 12" o.c.. Maximum end distance not to exceed 6".

Capacity	0.0 %
Load	0.0 PLF
Yield Limit per Foot	163.7 PLF
Yield Limit per Fastener	81.9 lb.
Yield Mode	IV
Edge Distance	1 1/2"
Min. End Distance	3"
Load Combination	
Duration Factor	1.00

Notes

Calculated Structured Designs is responsible only of the structural adequacy of this component based on the design criteria and loadings shown. It is the responsibility of the customer and/or the contractor to ensure the component suitability of the intended application, and to verify the dimensions and loads.

Lumber

1. Dry service conditions, unless noted otherwise
2. LVL not to be treated with fire retardant or corrosive chemicals

Handling & Installation

1. LVL beams must not be cut or drilled
2. Refer to manufacturer's product information regarding installation requirements, multi-ply fastening details, beam strength values, and code approvals
3. Damaged Beams must not be used
4. Design assumes top edge is laterally restrained
5. Provide lateral support at bearing points to avoid lateral displacement and rotation

6. For flat roofs provide proper drainage to prevent ponding

This design is valid until 5/24/2024

Manufacturer Info

Metsä Wood
 301 Merritt 7 Building, 2nd Floor
 Norwalk, CT 06851
 (800) 622-5850
www.metsawood.com/us
 ICC-ES: ESR-3633

Comtech, Inc.
 1001 S. Reilly Road, Suite #639
 Fayetteville, NC
 USA
 28314
 910-864-TRUS





Client: Westan Homes

Project:

Address:

Date: 8/3/2021

Input by: David Landry

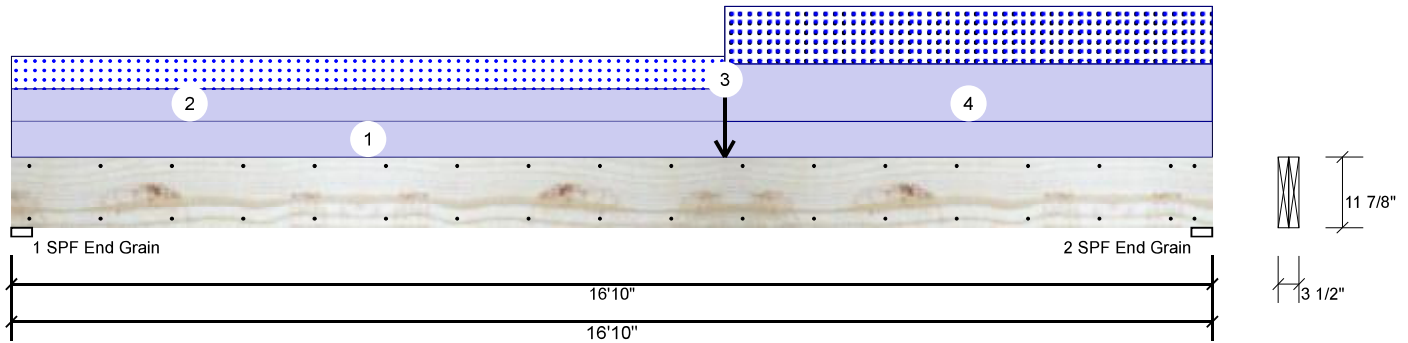
Job Name: Lot 4 Cameron Rd.

Project #: J0721-4310

Page 8 of 11

GDH Kerto-S LVL 1.750" X 11.875" 2-Ply - PASSED

Level: Level



Member Information

Type:	Girder
Plies:	2
Moisture Condition:	Dry
Deflection LL:	480
Deflection TL:	360
Importance:	Normal - II
Temperature:	Temp <= 100°F

Application:	Floor
Design Method:	ASD
Building Code:	IBC/IRC 2015
Load Sharing:	No
Deck:	Not Checked
Ceiling:	Gypsum 1/2"

Reactions UNPATTERNED lb (Uplift)

Brg	Direction	Live	Dead	Snow	Wind	Const
1	Vertical	0	1190	608	0	0
2	Vertical	0	1408	825	0	0

Bearings

Bearing	Length	Dir.	Cap.	React D/L lb	Total	Ld. Case	Ld. Comb.
1 - SPF End Grain	3.500"	Vert	17%	1190 / 608	1798	L	D+S
2 - SPF End Grain	3.500"	Vert	21%	1408 / 825	2233	L	D+S

Analysis Results

Analysis	Actual	Location	Allowed	Capacity	Comb.	Case
Moment	8610 ft-lb	10'	22897 ft-lb	0.376 (38%)	D+S	L
Unbraced	8610 ft-lb	10'	8626 ft-lb	0.998 (100%)	D+S	L
Shear	1905 lb	15'6 5/8"	10197 lb	0.187 (19%)	D+S	L
LL Defl inch	0.158 (L/1246)	8'8 13/16"	0.409 (L/480)	0.385 (39%)	S	L
TL Defl inch	0.436 (L/450)	8'7 3/4"	0.546 (L/360)	0.799 (80%)	D+S	L

Design Notes

- 1 Provide support to prevent lateral movement and rotation at the end bearings. Lateral support may also be required at the interior bearings by the building code.
- 2 Fasten all plies using 2 rows of 10d Box nails (.128x3") at 12" o.c. Maximum end distance not to exceed 6".
- 3 Refer to last page of calculations for fasteners required for specified loads.
- 4 Girders are designed to be supported on the bottom edge only.
- 5 Top loads must be supported equally by all plies.
- 6 Top must be laterally braced at a maximum of 11' 13/16" o.c.
- 7 Lateral slenderness ratio based on single ply width.

ID	Load Type	Location	Trib Width	Side	Dead 0.9	Live 1	Snow 1.15	Wind 1.6	Const. 1.25	Comments
1	Uniform			Top	60 PLF	0 PLF	0 PLF	0 PLF	0 PLF	Wall
2	Part. Uniform	0-0-0 to 10-0-0		Top	55 PLF	0 PLF	55 PLF	0 PLF	0 PLF	M1
3	Point	10-0-0		Top	220 lb	0 lb	220 lb	0 lb	0 lb	M2A
	Bearing Length	0-3-8								
4	Part. Uniform	10-0-0 to 16-10-0		Top	97 PLF	0 PLF	97 PLF	0 PLF	0 PLF	M2
	Self Weight				9 PLF					

Notes
 Calculated Structured Designs is responsible only of the structural adequacy of this component based on the design criteria and loadings shown. It is the responsibility of the customer and/or the contractor to ensure the component suitability of the intended application, and to verify the dimensions and loads.

Lumber
 1. Dry service conditions, unless noted otherwise
 2. LVL not to be treated with fire retardant or corrosive chemicals

- Handling & Installation**
1. LVL beams must not be cut or drilled
 2. Refer to manufacturer's product information regarding installation requirements, multi-ply fastening details, beam strength values, and code approvals
 3. Damaged Beams must not be used
 4. Design assumes top edge is laterally restrained
 5. Provide lateral support at bearing points to avoid lateral displacement and rotation

6. For flat roofs provide proper drainage to prevent ponding

This design is valid until 5/24/2024

Manufacturer Info

Metsä Wood
 301 Merritt 7 Building, 2nd Floor
 Norwalk, CT 06851
 (800) 622-5850
www.metsawood.com/us
 ICC-ES: ESR-3633

Comtech, Inc.
 1001 S. Reilly Road, Suite #639
 Fayetteville, NC
 USA
 28314
 910-864-TRUS



Client: Westan Homes

Project:

Address:

Date: 8/3/2021

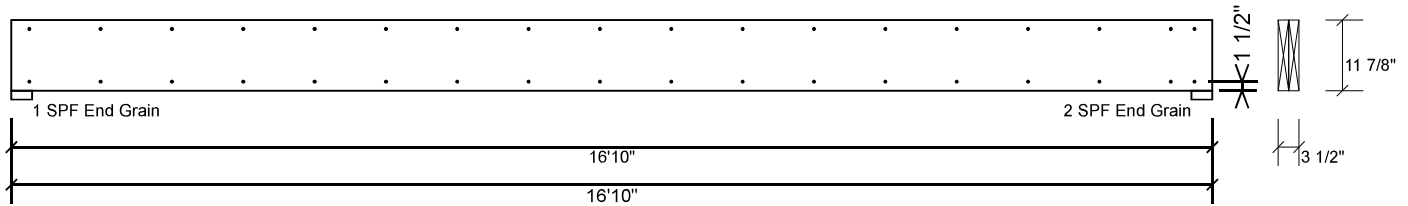
Input by: David Landry

Job Name: Lot 4 Cameron Rd.

Project #: J0721-4310

GDH Kerto-S LVL 1.750" X 11.875" 2-Ply - PASSED

Level: Level



Multi-Ply Analysis

Fasten all plies using 2 rows of 10d Box nails (.128x3") at 12" o.c.. Maximum end distance not to exceed 6".

Capacity	0.0 %
Load	0.0 PLF
Yield Limit per Foot	163.7 PLF
Yield Limit per Fastener	81.9 lb.
Yield Mode	IV
Edge Distance	1 1/2"
Min. End Distance	3"
Load Combination	
Duration Factor	1.00

Notes

Calculated Structured Designs is responsible only of the structural adequacy of this component based on the design criteria and loadings shown. It is the responsibility of the customer and/or the contractor to ensure the component suitability of the intended application, and to verify the dimensions and loads.

Lumber

1. Dry service conditions, unless noted otherwise
2. LVL not to be treated with fire retardant or corrosive chemicals

Handling & Installation

1. LVL beams must not be cut or drilled
2. Refer to manufacturer's product information regarding installation requirements, multi-ply fastening details, beam strength values, and code approvals
3. Damaged Beams must not be used
4. Design assumes top edge is laterally restrained
5. Provide lateral support at bearing points to avoid lateral displacement and rotation

6. For flat roofs provide proper drainage to prevent ponding

This design is valid until 5/24/2024

Manufacturer Info

Metsä Wood
 301 Merritt 7 Building, 2nd Floor
 Norwalk, CT 06851
 (800) 622-5850
www.metsawood.com/us
 ICC-ES: ESR-3633

Comtech, Inc.
 1001 S. Reilly Road, Suite #639
 Fayetteville, NC
 USA
 28314
 910-864-TRUS





Client: Westan Homes

Project:

Address:

Date: 8/3/2021

Input by: David Landry

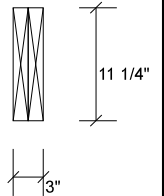
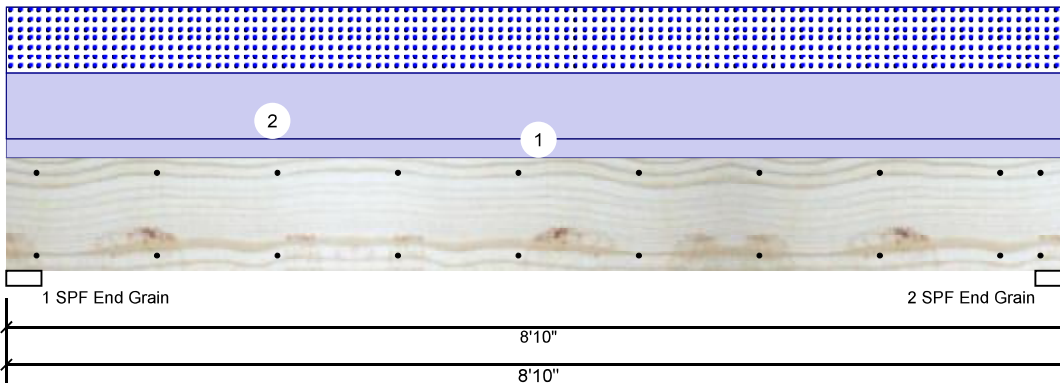
Job Name: Lot 4 Cameron Rd.

Project #: J0721-4310

Page 10 of 11

GDH2 S-P-F #2 2.000" X 12.000" 2-Ply - PASSED

Level: Level



Member Information

Type:	Girder
Plies:	2
Moisture Condition:	Dry
Deflection LL:	480
Deflection TL:	360
Importance:	Normal - II
Temperature:	Temp <= 100°F

Application:	Floor
Design Method:	ASD
Building Code:	IBC/IRC 2015
Load Sharing:	No
Deck:	Not Checked
Ceiling:	Gypsum 1/2"

Reactions UNPATTERNED lb (Uplift)

Brg	Direction	Live	Dead	Snow	Wind	Const
1	Vertical	0	1188	923	0	0
2	Vertical	0	1188	923	0	0

Bearings

Bearing	Length	Dir.	Cap.	React D/L lb	Total	Ld. Case	Ld. Comb.
1 - SPF End Grain	3.500"	Vert	47%	1188 / 923	2111	L	D+S
2 - SPF End Grain	3.500"	Vert	47%	1188 / 923	2111	L	D+S

Analysis Results

Analysis	Actual	Location	Allowed	Capacity	Comb.	Case
Moment	4191 ft-lb	4'5"	5306 ft-lb	0.790 (79%)	D+S	L
Unbraced	4191 ft-lb	4'5"	4199 ft-lb	0.998 (100%)	D+S	L
Shear	1524 lb	7'7 1/4"	3493 lb	0.436 (44%)	D+S	L
LL Defl inch	0.046 (L/2165)	4'5 1/16"	0.209 (L/480)	0.222 (22%)	S	L
TL Defl inch	0.106 (L/947)	4'5 1/16"	0.279 (L/360)	0.380 (38%)	D+S	L

Design Notes

- 1 Provide support to prevent lateral movement and rotation at the end bearings. Lateral support may also be required at the interior bearings by the building code.
- 2 Fasten all plies using 2 rows of 10d Box nails (.128x3") at 12" o.c. Maximum end distance not to exceed 6".
- 3 Refer to last page of calculations for fasteners required for specified loads.
- 4 Girders are designed to be supported on the bottom edge only.
- 5 Top loads must be supported equally by all plies.
- 6 Top must be laterally braced at a maximum of 7'5 7/8" o.c.
- 7 Lateral slenderness ratio based on single ply width.

ID	Load Type	Location	Trib Width	Side	Dead 0.9	Live 1	Snow 1.15	Wind 1.6	Const. 1.25	Comments
1	Uniform			Top	60 PLF	0 PLF	0 PLF	0 PLF	0 PLF	Wall
2	Uniform			Top	209 PLF	0 PLF	209 PLF	0 PLF	0 PLF	D1

Manufacturer Info

Comtech, Inc.
1001 S. Reilly Road, Suite #639
Fayetteville, NC
USA
28314
910-864-TRUS



This design is valid until 5/24/2024



Client: Westan Homes

Project:

Address:

Date: 8/3/2021

Input by: David Landry

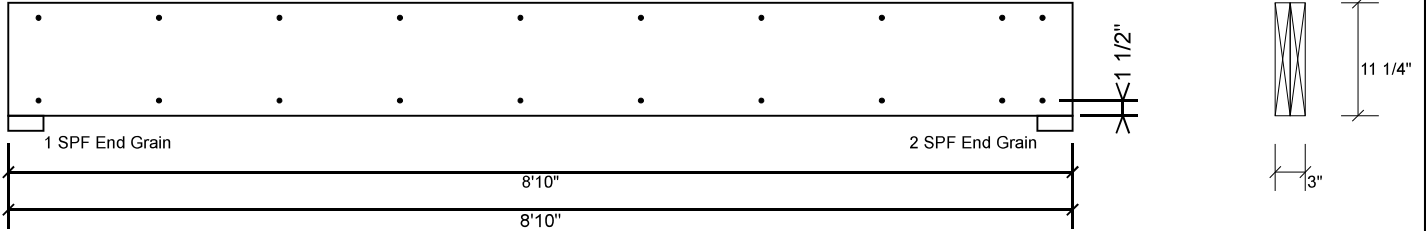
Job Name: Lot 4 Cameron Rd.

Project #: J0721-4310

Page 11 of 11

GDH2 S-P-F #2 2.000" X 12.000" 2-Ply - PASSED

Level: Level



Multi-Ply Analysis

Fasten all plies using 2 rows of 10d Box nails (.128x3") at 12" o.c.. Maximum end distance not to exceed 6".

Capacity	0.0 %
Load	0.0 PLF
Yield Limit per Foot	157.4 PLF
Yield Limit per Fastener	78.7 lb.
Yield Mode	IV
Edge Distance	1 1/2"
Min. End Distance	3"
Load Combination	
Duration Factor	1.00

Manufacturer Info

Comtech, Inc.
 1001 S. Reilly Road, Suite #639
 Fayetteville, NC
 USA
 28314
 910-864-TRUS



This design is valid until 5/24/2024



RE: J0721-4310
Lot 4 Cameron Rd.

Trenco
818 Soundside Rd
Edenton, NC 27932

Site Information:

Customer: Renaissance Residential Design Inc. Project Name: J0721-4310
Lot/Block: 4 Model: Brinkley
Address: Subdivision:
City: State:

General Truss Engineering Criteria & Design Loads (Individual Truss Design Drawings Show Special Loading Conditions):

Design Code: IRC2015/TPI2014 Design Program: MiTek 20/20 8.4
Wind Code: N/A Wind Speed: N/A mph
Roof Load: N/A psf Floor Load: 55.0 psf

This package includes 15 individual, dated Truss Design Drawings and 0 Additional Drawings.

No.	Seal#	Truss Name	Date
1	E16001328	ET1	8/3/2021
2	E16001329	ET2	8/3/2021
3	E16001330	ET3	8/3/2021
4	E16001331	ET4	8/3/2021
5	E16001332	ET5	8/3/2021
6	E16001333	F1	8/3/2021
7	E16001334	F1A	8/3/2021
8	E16001335	F2	8/3/2021
9	E16001336	F2A	8/3/2021
10	E16001337	F3	8/3/2021
11	E16001338	F4	8/3/2021
12	E16001339	F5	8/3/2021
13	E16001340	F6	8/3/2021
14	E16001341	FG1	8/3/2021
15	E16001342	FG2	8/3/2021

The truss drawing(s) referenced above have been prepared by Truss Engineering Co. under my direct supervision based on the parameters provided by Comtech, Inc - Fayetteville.

Truss Design Engineer's Name: Gilbert, Eric

My license renewal date for the state of North Carolina is December 31, 2021.

North Carolina COA: C-0844

IMPORTANT NOTE: The seal on these truss component designs is a certification that the engineer named is licensed in the jurisdiction(s) identified and that the designs comply with ANSI/TPI 1. These designs are based upon parameters shown (e.g., loads, supports, dimensions, shapes and design codes), which were given to TRENCO. Any project specific information included is for TRENCO customers file reference purpose only, and was not taken into account in the preparation of these designs. TRENCO has not independently verified the applicability of the design parameters or the designs for any particular building. Before use, the building designer should verify applicability of design parameters and properly incorporate these designs into the overall building design per ANSI/TPI 1, Chapter 2.



August 03, 2021

Job	Truss	Truss Type	Qty	Ply	Lot 4 Cameron Rd.	E16001328
J0721-4310	ET1	Floor Supported Gable	1	1	Job Reference (optional)	

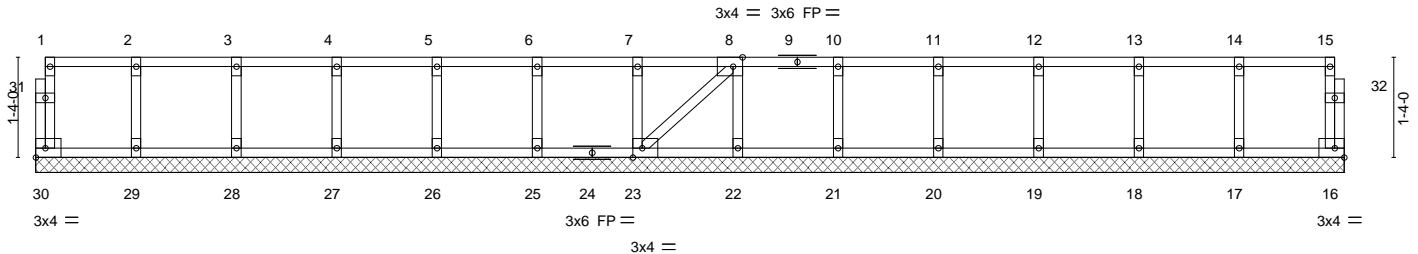
Comtech, Inc, Fayetteville, NC - 28314,

8,430 s Jun 2 2021 MiTek Industries, Inc. Tue Aug 3 07:54:21 2021 Page 1
ID:I4HRAT3eIT9qoRIdAoEs_5z0Axy-p?F4eYg1ZjAMeONv00DGRzU?uKIB1G4DdehXuLyrd60

0-1/8

0-1/8

Scale = 1:28.8



17-4-12
17-4-12

Plate Offsets (X,Y)-- [8:0-1-8,Edge], [23:0-1-8,Edge]

LOADING (psf)	SPACING-	2-0-0	CSI.	DEFL.	in	(loc)	l/defl	L/d	PLATES	GRIP
TCLL 40.0	Plate Grip DOL	1.00	TC 0.06	Vert(LL)	n/a	-	n/a	999	MT20	244/190
TCDL 10.0	Lumber DOL	1.00	BC 0.01	Vert(CT)	n/a	-	n/a	999		
BCLL 0.0	Rep Stress Incr	YES	WB 0.03	Horz(CT)	0.00	16	n/a	n/a		
BCDL 5.0	Code IRC2015/TPI2014		Matrix-S						Weight: 79 lb	FT = 20%F, 11%E

LUMBER-

TOP CHORD 2x4 SP No.1(flat)
BOT CHORD 2x4 SP No.1(flat)
WEBS 2x4 SP No.3(flat)
OTHERS 2x4 SP No.3(flat)

BRACING-

TOP CHORD Structural wood sheathing directly applied or 6-0-0 oc purlins, except end verticals.
BOT CHORD Rigid ceiling directly applied or 10-0-0 oc bracing.

REACTIONS.

All bearings 17-4-12.

(lb) - Max Grav All reactions 250 lb or less at joint(s) 30, 16, 29, 28, 27, 26, 25, 23, 22, 21, 20, 19, 18, 17

FORCES.

(lb) - Max. Comp./Max. Ten. - All forces 250 (lb) or less except when shown.

NOTES-

- All plates are 1.5x3 MT20 unless otherwise indicated.
- Plates checked for a plus or minus 1 degree rotation about its center.
- Gable requires continuous bottom chord bearing.
- Truss to be fully sheathed from one face or securely braced against lateral movement (i.e. diagonal web).
- Gable studs spaced at 1-4-0 oc.
- Recommend 2x6 strongbacks, on edge, spaced at 10-0-0 oc and fastened to each truss with 3-10d (0.131" X 3") nails. Strongbacks to be attached to walls at their outer ends or restrained by other means.



August 3, 2021

WARNING - Verify design parameters and READ NOTES ON THIS AND INCLUDED MITEK REFERENCE PAGE MII-7473 rev. 5/19/2020 BEFORE USE.
Design valid for use only with MiTek® connectors. This design is based only upon parameters shown, and is for an individual building component, not a truss system. Before use, the building designer must verify the applicability of design parameters and properly incorporate this design into the overall building design. Bracing indicated is to prevent buckling of individual truss web and/or chord members only. Additional temporary and permanent bracing is always required for stability and to prevent collapse with possible personal injury and property damage. For general guidance regarding the fabrication, storage, delivery, erection and bracing of trusses and truss systems, see **ANSI/TPI1 Quality Criteria, DSB-89 and BCSI Building Component Safety Information** available from Truss Plate Institute, 2670 Crain Highway, Suite 203 Waldorf, MD 20601



818 Soundside Road
Edenton, NC 27932

Job J0721-4310	Truss ET2	Truss Type Floor Supported Gable	Qty 1	Ply 1	Lot 4 Cameron Rd. Job Reference (optional)	E16001329
-------------------	--------------	-------------------------------------	----------	----------	---	-----------

Comtech, Inc., Fayetteville, NC - 28314,

8.430 s Jun 2 2021 MiTek Industries, Inc. Tue Aug 3 07:54:22 2021 Page 1
ID:I4HRAT3eIT9qoRIdAoEs_5z0Axy-HCpSsuhgK1IDGYy5ajkWzB1Adk5RmjKNsIR4Royrd6?

0-1-8

Scale = 1:30.1

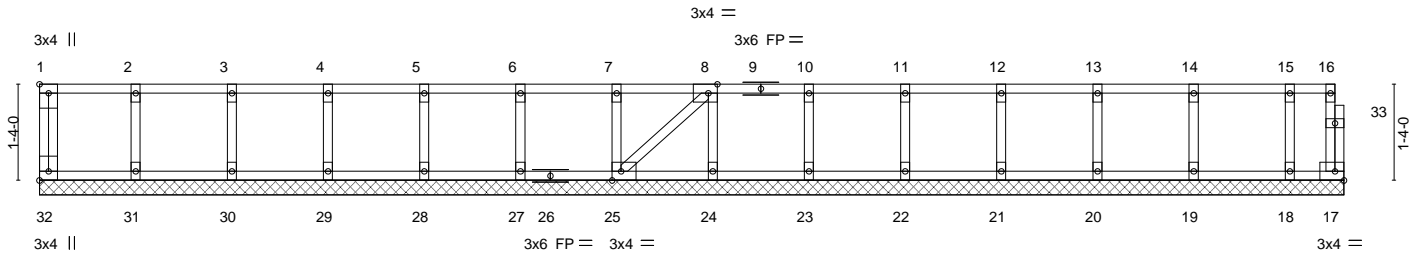


Plate Offsets (X,Y)--	[1:Edge,0-1-8], [8:0-1-8,Edge], [25:0-1-8,Edge], [32:Edge,0-1-8]
-----------------------	--

LOADING (psf)	SPACING-	CSI.	DEFL.	in (loc)	l/defl	L/d	PLATES	GRIP
TCLL 40.0	2-0-0 Plate Grip DOL 1.00	TC 0.06	Vert(LL)	n/a	-	n/a	MT20	244/190
TCDL 10.0	Lumber DOL 1.00	BC 0.01	Vert(CT)	n/a	-	n/a		
BCLL 0.0	Rep Stress Incr YES	WB 0.03	Horz(CT)	0.00	17	n/a		
BCDL 5.0	Code IRC2015/TPI2014	Matrix-S					Weight: 83 lb	FT = 20%F, 11%E

LUMBER-	BRACING-
TOP CHORD 2x4 SP No.1(flat)	TOP CHORD Structural wood sheathing directly applied or 6-0-0 oc purlins, except end verticals.
BOT CHORD 2x4 SP No.1(flat)	BOT CHORD Rigid ceiling directly applied or 10-0-0 oc bracing.
WEBS 2x4 SP No.3(flat)	
OTHERS 2x4 SP No.3(flat)	

REACTIONS. All bearings 18-1-0.
(lb) - Max Grav All reactions 250 lb or less at joint(s) 32, 17, 31, 30, 29, 28, 27, 25, 24, 23, 22, 21, 20, 19, 18

FORCES. (lb) - Max. Comp./Max. Ten. - All forces 250 (lb) or less except when shown.

- NOTES-**
- All plates are 1.5x3 MT20 unless otherwise indicated.
 - Plates checked for a plus or minus 1 degree rotation about its center.
 - Gable requires continuous bottom chord bearing.
 - Truss to be fully sheathed from one face or securely braced against lateral movement (i.e. diagonal web).
 - Gable studs spaced at 1-4-0 oc.
 - Recommend 2x6 strongbacks, on edge, spaced at 10-0-0 oc and fastened to each truss with 3-10d (0.131" X 3") nails. Strongbacks to be attached to walls at their outer ends or restrained by other means.
 - CAUTION, Do not erect truss backwards.



August 3, 2021

WARNING - Verify design parameters and READ NOTES ON THIS AND INCLUDED MITEK REFERENCE PAGE MII-7473 rev. 5/19/2020 BEFORE USE.
Design valid for use only with MiTek® connectors. This design is based only upon parameters shown, and is for an individual building component, not a truss system. Before use, the building designer must verify the applicability of design parameters and properly incorporate this design into the overall building design. Bracing indicated is to prevent buckling of individual truss web and/or chord members only. Additional temporary and permanent bracing is always required for stability and to prevent collapse with possible personal injury and property damage. For general guidance regarding the fabrication, storage, delivery, erection and bracing of trusses and truss systems, see **ANSI/TPI1 Quality Criteria, DSB-89 and BCSI Building Component Safety Information** available from Truss Plate Institute, 2670 Crain Highway, Suite 203 Waldorf, MD 20601



Job J0721-4310	Truss ET3	Truss Type Floor Supported Gable	Qty 1	Ply 1	Lot 4 Cameron Rd. Job Reference (optional)	E16001330
-------------------	--------------	-------------------------------------	----------	----------	---	-----------

Comtech, Inc., Fayetteville, NC - 28314,

8,430 s Jun 2 2021 MiTek Industries, Inc. Tue Aug 3 07:54:22 2021 Page 1
ID:I4HRAT3eIT9qoRIdAoEs_5z0Axy-HCpSsuHgK1IDGYy5ajkWzB1Adk5RmjKNsIR4Royrd6?

0'-1'-8"

Scale = 1:13.9

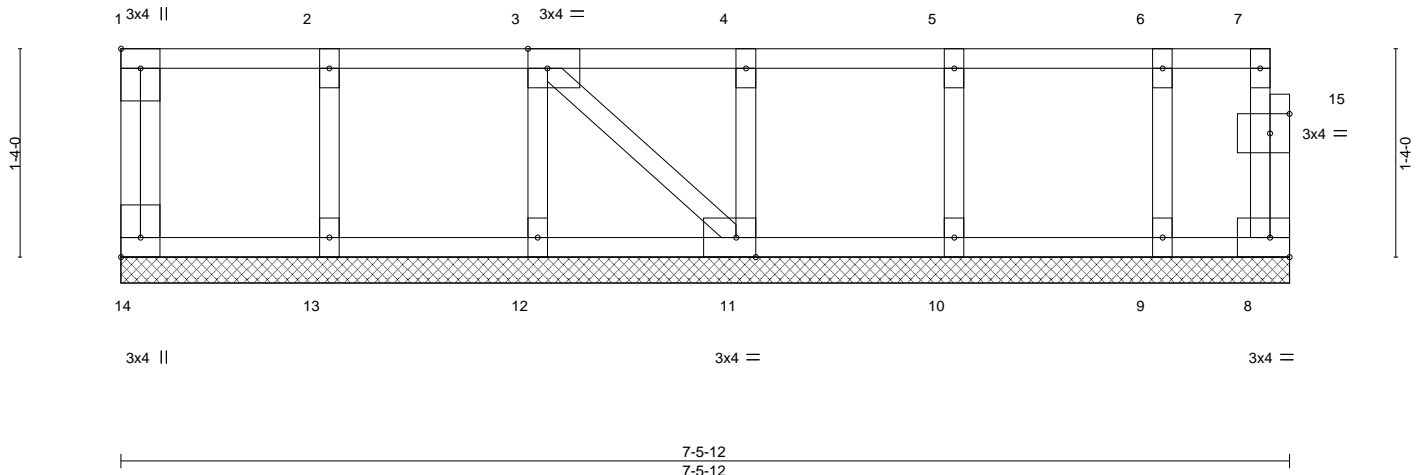


Plate Offsets (X,Y)-- [1:Edge,0-1-8], [3:0-1-8,Edge], [11:0-1-8,Edge], [14:Edge,0-1-8], [15:0-1-8,0-1-8]

LOADING (psf)	SPACING-	CSI.	DEFL.	in (loc)	l/defl	L/d	PLATES	GRIP
TCLL 40.0	2-0-0 Plate Grip DOL 1.00	TC 0.06	Vert(LL)	n/a	-	n/a	MT20	244/190
TCDL 10.0	Lumber DOL 1.00	BC 0.01	Vert(CT)	n/a	-	n/a		
BCLL 0.0	Rep Stress Incr YES	WB 0.03	Horz(CT)	0.00	8	n/a		
BCDL 5.0	Code IRC2015/TPI2014	Matrix-P					Weight: 39 lb	FT = 20%F, 11%E

LUMBER-
TOP CHORD 2x4 SP No.1(flat)
BOT CHORD 2x4 SP No.1(flat)
WEBS 2x4 SP No.3(flat)
OTHERS 2x4 SP No.3(flat)

BRACING-
TOP CHORD Structural wood sheathing directly applied or 6-0-0 oc purlins, except end verticals.
BOT CHORD Rigid ceiling directly applied or 10-0-0 oc bracing.

REACTIONS. All bearings 7-5-12.
(lb) - Max Grav All reactions 250 lb or less at joint(s) 14, 8, 13, 12, 11, 10, 9

FORCES. (lb) - Max. Comp./Max. Ten. - All forces 250 (lb) or less except when shown.

- NOTES-**
- 1) All plates are 1.5x3 MT20 unless otherwise indicated.
 - 2) Plates checked for a plus or minus 1 degree rotation about its center.
 - 3) Gable requires continuous bottom chord bearing.
 - 4) Truss to be fully sheathed from one face or securely braced against lateral movement (i.e. diagonal web).
 - 5) Gable studs spaced at 1'-4-0 oc.
 - 6) Recommend 2x6 strongbacks, on edge, spaced at 10-0-0 oc and fastened to each truss with 3-10d (0.131" X 3") nails. Strongbacks to be attached to walls at their outer ends or restrained by other means.
 - 7) CAUTION, Do not erect truss backwards.



August 3, 2021

WARNING - Verify design parameters and READ NOTES ON THIS AND INCLUDED MITEK REFERENCE PAGE MII-7473 rev. 5/19/2020 BEFORE USE.
Design valid for use only with MiTek® connectors. This design is based only upon parameters shown, and is for an individual building component, not a truss system. Before use, the building designer must verify the applicability of design parameters and properly incorporate this design into the overall building design. Bracing indicated is to prevent buckling of individual truss web and/or chord members only. Additional temporary and permanent bracing is always required for stability and to prevent collapse with possible personal injury and property damage. For general guidance regarding the fabrication, storage, delivery, erection and bracing of trusses and truss systems, see **ANSI/TPI1 Quality Criteria, DSB-89 and BCSI Building Component Safety Information** available from Truss Plate Institute, 2670 Crain Highway, Suite 203 Waldorf, MD 20601



818 Soundside Road
Edenton, NC 27932

Job J0721-4310	Truss ET4	Truss Type Floor Supported Gable	Qty 1	Ply 1	Lot 4 Cameron Rd. Job Reference (optional)	E16001331
-------------------	--------------	-------------------------------------	----------	----------	---	-----------

Comtech, Inc., Fayetteville, NC - 28314,

8,430 s Jun 2 2021 MiTek Industries, Inc. Tue Aug 3 07:54:23 2021 Page 1
ID:14HRAT3eIT9qoRIdAoEs_5z0Axy-IONq3Eil5KQ4uiXH8RFIW0aLN7RgVAaW5xAezEyr6_

0.1-8

Scale = 1:16.9

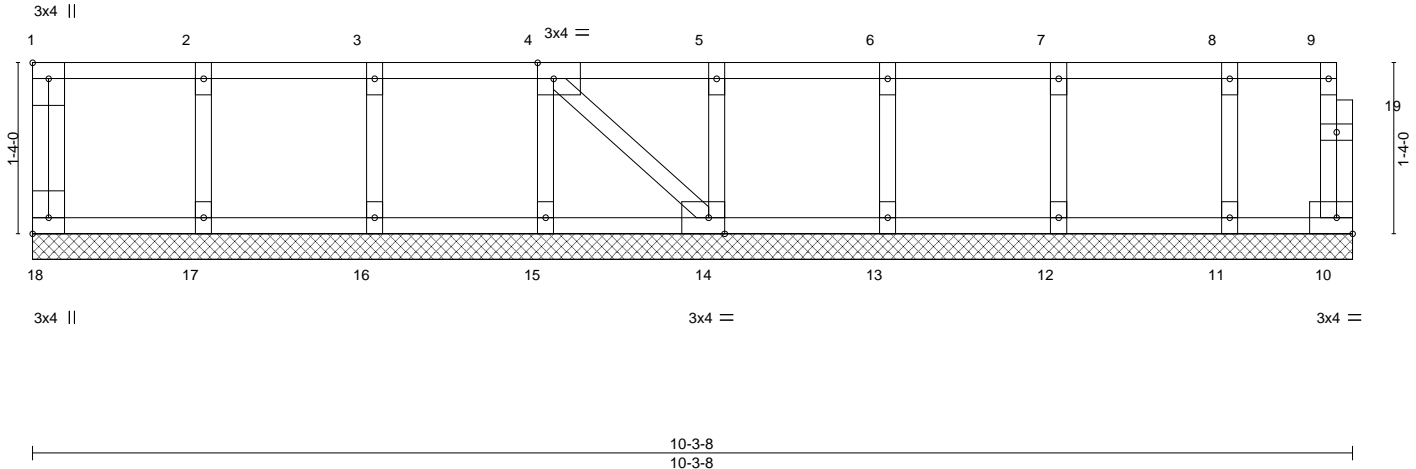


Plate Offsets (X,Y)-- [1:Edge,0-1-8], [4:0-1-8,Edge], [14:0-1-8,Edge], [18:Edge,0-1-8]

LOADING (psf)	SPACING-	CSI.	DEFL.	PLATES	GRIP
TCLL 40.0	2-0-0 Plate Grip DOL 1.00	TC 0.06	in (loc) l/defl L/d Vert(LL) n/a - n/a 999	MT20	244/190
TCDL 10.0	Lumber DOL 1.00	BC 0.01	Vert(CT) n/a - n/a 999		
BCLL 0.0	Rep Stress Incr YES	WB 0.03	Horz(CT) 0.00 10 n/a n/a		
BCDL 5.0	Code IRC2015/TPI2014	Matrix-S		Weight: 50 lb	FT = 20%F, 11%E

LUMBER-

TOP CHORD 2x4 SP No.1(flat)
BOT CHORD 2x4 SP No.1(flat)
WEBS 2x4 SP No.3(flat)
OTHERS 2x4 SP No.3(flat)

BRACING-

TOP CHORD Structural wood sheathing directly applied or 6-0-0 oc purlins, except end verticals.
BOT CHORD Rigid ceiling directly applied or 10-0-0 oc bracing.

REACTIONS.

All bearings 10-3-8.
(lb) - Max Grav All reactions 250 lb or less at joint(s) 18, 10, 17, 16, 15, 14, 13, 12, 11

FORCES.

(lb) - Max. Comp./Max. Ten. - All forces 250 (lb) or less except when shown.

NOTES-

- All plates are 1.5x3 MT20 unless otherwise indicated.
- Plates checked for a plus or minus 1 degree rotation about its center.
- Gable requires continuous bottom chord bearing.
- Truss to be fully sheathed from one face or securely braced against lateral movement (i.e. diagonal web).
- Gable studs spaced at 1'-4-0 oc.
- Recommend 2x6 strongbacks, on edge, spaced at 10-0-0 oc and fastened to each truss with 3-10d (0.131" X 3") nails. Strongbacks to be attached to walls at their outer ends or restrained by other means.
- CAUTION, Do not erect truss backwards.



August 3, 2021

WARNING - Verify design parameters and READ NOTES ON THIS AND INCLUDED MITTEK REFERENCE PAGE MII-7473 rev. 5/19/2020 BEFORE USE.
Design valid for use only with MiTek® connectors. This design is based only upon parameters shown, and is for an individual building component, not a truss system. Before use, the building designer must verify the applicability of design parameters and properly incorporate this design into the overall building design. Bracing indicated is to prevent buckling of individual truss web and/or chord members only. Additional temporary and permanent bracing is always required for stability and to prevent collapse with possible personal injury and property damage. For general guidance regarding the fabrication, storage, delivery, erection and bracing of trusses and truss systems, see **ANSI/TPI1 Quality Criteria, DSB-89 and BCSI Building Component Safety Information** available from Truss Plate Institute, 2670 Crain Highway, Suite 203 Waldorf, MD 20601



818 Soundside Road
Edenton, NC 27932

Job J0721-4310	Truss ET5	Truss Type Floor Supported Gable	Qty 1	Ply 1	Lot 4 Cameron Rd. Job Reference (optional)	E16001332
-------------------	--------------	-------------------------------------	----------	----------	---	-----------

Comtech, Inc., Fayetteville, NC - 28314,

8,430 s Jun 2 2021 MiTek Industries, Inc. Tue Aug 3 07:54:23 2021 Page 1
ID:I4HRAT3eIT9qoRIdAoEs_5z0Axy-IONq3Eil5KQ4uiXH8RFIW0aKU7RkVAJW5xAezEyr6_

0-1-8

0-1-8

Scale = 1:23.3

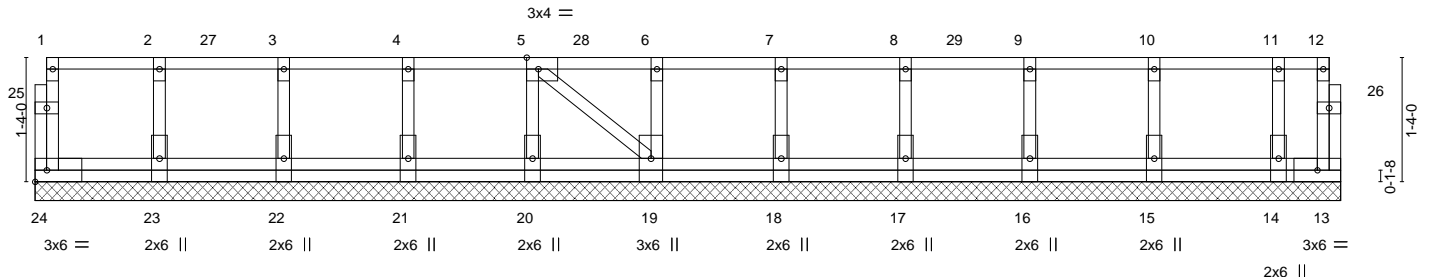


Plate Offsets (X,Y)-- [5:0-1-8,Edge]		14-0-0		14-0-0					
LOADING (psf)	SPACING-	2-0-0	CSI.	DEFL.	in (loc)	l/defl	L/d	PLATES	GRIP
TCLL 40.0	Plate Grip DOL	1.00	TC 0.12	Vert(LL)	n/a	-	n/a	MT20	244/190
TCDL 10.0	Lumber DOL	1.00	BC 0.00	Vert(CT)	n/a	-	n/a		
BCLL 0.0	Rep Stress Incr	YES	WB 0.05	Horz(CT)	0.00	13	n/a		
BCDL 5.0	Code IRC2015/TPI2014		Matrix-S						
								Weight: 84 lb	FT = 20%F, 11%E

LUMBER-

TOP CHORD 2x4 SP No.1 (flat)
BOT CHORD 2x4 SP No.1 (flat)
WEBS 2x4 SP No.3 (flat)
OTHERS 2x4 SP No.3 (flat)

BRACING-

TOP CHORD Structural wood sheathing directly applied or 6-0-0 oc purlins, except end verticals.
BOT CHORD Rigid ceiling directly applied or 6-0-0 oc bracing.

REACTIONS.

All bearings 14-0-0.
(lb) - Max Grav All reactions 250 lb or less at joint(s) 24, 23, 22, 21, 20, 19, 18, 17, 16, 15, 14

FORCES.

(lb) - Max. Comp./Max. Ten. - All forces 250 (lb) or less except when shown.

NOTES-

- All plates are 1.5x3 MT20 unless otherwise indicated.
- Plates checked for a plus or minus 1 degree rotation about its center.
- Gable requires continuous bottom chord bearing.
- Truss to be fully sheathed from one face or securely braced against lateral movement (i.e. diagonal web).
- Gable studs spaced at 1-4-0 oc.
- Recommend 2x6 strongbacks, on edge, spaced at 10-0-0 oc and fastened to each truss with 3-10d (0.131" X 3") nails. Strongbacks to be attached to walls at their outer ends or restrained by other means.

LOAD CASE(S) Standard

- Dead + Floor Live (balanced): Lumber Increase=1.00, Plate Increase=1.00
Uniform Loads (plf)
Vert: 13-24=-10, 1-12=-100
Concentrated Loads (lb)
Vert: 4=-91 7=-91 10=-91 27=-91 28=-91 29=-91



August 3, 2021

WARNING - Verify design parameters and READ NOTES ON THIS AND INCLUDED MITEK REFERENCE PAGE MII-7473 rev. 5/19/2020 BEFORE USE.
Design valid for use only with MiTek® connectors. This design is based only upon parameters shown, and is for an individual building component, not a truss system. Before use, the building designer must verify the applicability of design parameters and properly incorporate this design into the overall building design. Bracing indicated is to prevent buckling of individual truss web and/or chord members only. Additional temporary and permanent bracing is always required for stability and to prevent collapse with possible personal injury and property damage. For general guidance regarding the fabrication, storage, delivery, erection and bracing of trusses and truss systems, see **ANSI/TP11 Quality Criteria, DSB-89 and BCSI Building Component Safety Information** available from Truss Plate Institute, 2670 Crain Highway, Suite 203 Waldorf, MD 20601



818 Soundside Road
Edenton, NC 27932

Job J0721-4310	Truss F1	Truss Type Floor	Qty 6	Ply 1	Lot 4 Cameron Rd. Job Reference (optional)	E16001333
-------------------	-------------	---------------------	----------	----------	---	-----------

Comtech, Inc. Fayetteville, NC - 28314,

8,430 s Jun 2 2021 MiTek Industries, Inc. Tue Aug 3 07:54:24 2021 Page 1
ID:14HRAT3elT9qoRldAoEs_5z0Axy-DaxCGZjwseYxVs5Ti8m_3c6PVXcCEWBgJbwBUgyrd5z

0-1-8



Scale = 1:29.2

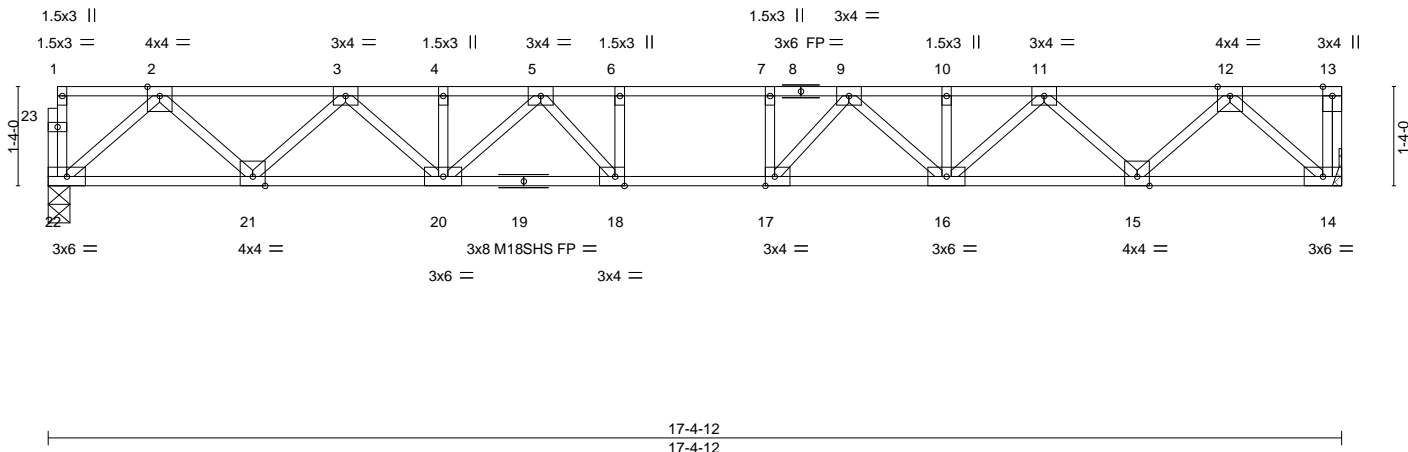


Plate Offsets (X,Y)-- [17:0-1-8,Edge], [18:0-1-8,Edge]

LOADING (psf)	SPACING-	CSI.	DEFL.	in (loc)	l/defl	L/d	PLATES	GRIP
TCLL 40.0	2-0-0 Plate Grip DOL 1.00	TC 0.48	Vert(LL)	-0.19	17-18	>999	MT20	244/190
TCDL 10.0	Lumber DOL 1.00	BC 0.69	Vert(CT)	-0.26	17-18	>777	M18SHS	244/190
BCLL 0.0	Rep Stress Incr YES	WB 0.46	Horz(CT)	0.06	14	n/a		
BCDL 5.0	Code IRC2015/TPI2014	Matrix-S						
							Weight: 93 lb	FT = 20%F, 11%E

LUMBER-

TOP CHORD 2x4 SP No.1 (flat)
BOT CHORD 2x4 SP No.1 (flat)
WEBS 2x4 SP No.3 (flat)

BRACING-

TOP CHORD Structural wood sheathing directly applied or 6-0-0 oc purlins, except end verticals.
BOT CHORD Rigid ceiling directly applied or 10-0-0 oc bracing.

REACTIONS.

(size) 22=0-3-8, 14=Mechanical
Max Grav 22=937(LC 1), 14=943(LC 1)

FORCES.

(lb) - Max. Comp./Max. Ten. - All forces 250 (lb) or less except when shown.
TOP CHORD 2-3=-1705/0, 3-4=-2823/0, 4-5=-2823/0, 5-6=-3312/0, 6-7=-3312/0, 7-9=-3312/0, 9-10=-2823/0, 10-11=-2823/0, 11-12=-1705/0
BOT CHORD 21-22=0/1015, 20-21=0/2365, 18-20=0/3144, 17-18=0/3312, 16-17=0/3144, 15-16=0/2365, 14-15=0/1016
WEBS 2-22=-1349/0, 2-21=0/960, 3-21=-918/0, 3-20=0/622, 5-20=-436/0, 12-14=-1352/0, 12-15=0/959, 11-15=-918/0, 11-16=0/623, 9-16=-436/0, 9-17=-86/552, 7-17=-313/5, 5-18=-86/552, 6-18=-313/5

NOTES-

- 1) Unbalanced floor live loads have been considered for this design.
- 2) All plates are MT20 plates unless otherwise indicated.
- 3) Plates checked for a plus or minus 1 degree rotation about its center.
- 4) Refer to girder(s) for truss to truss connections.
- 5) Recommend 2x6 strongbacks, on edge, spaced at 10-0-0 oc and fastened to each truss with 3-10d (0.131" X 3") nails. Strongbacks to be attached to walls at their outer ends or restrained by other means.
- 6) CAUTION, Do not erect truss backwards.



August 3, 2021

WARNING - Verify design parameters and READ NOTES ON THIS AND INCLUDED MITTEK REFERENCE PAGE MII-7473 rev. 5/19/2020 BEFORE USE.
Design valid for use only with MiTek® connectors. This design is based only upon parameters shown, and is for an individual building component, not a truss system. Before use, the building designer must verify the applicability of design parameters and properly incorporate this design into the overall building design. Bracing indicated is to prevent buckling of individual truss web and/or chord members only. Additional temporary and permanent bracing is always required for stability and to prevent collapse with possible personal injury and property damage. For general guidance regarding the fabrication, storage, delivery, erection and bracing of trusses and truss systems, see **ANSI/TPI1 Quality Criteria, DSB-89 and BCSI Building Component Safety Information** available from Truss Plate Institute, 2670 Crain Highway, Suite 203 Waldorf, MD 20601



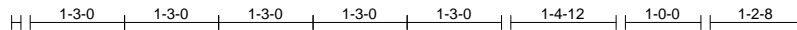
818 Soundside Road
Edenton, NC 27932

Job J0721-4310	Truss F1A	Truss Type Floor	Qty 1	Ply 1	Lot 4 Cameron Rd. Job Reference (optional)	E16001334
-------------------	--------------	---------------------	----------	----------	---	-----------

Comtech, Inc, Fayetteville, NC - 28314,

8.430 s Jun 2 2021 MiTek Industries, Inc. Tue Aug 3 07:54:25 2021 Page 1
ID:I4HRAT3eIT9qoRIdAoEs_5z0Axy-imVaUvjYdygo?ggFslDdpfbMxy0zwDpYFfk06yrd5y

0-1-8



Scale = 1:28.8

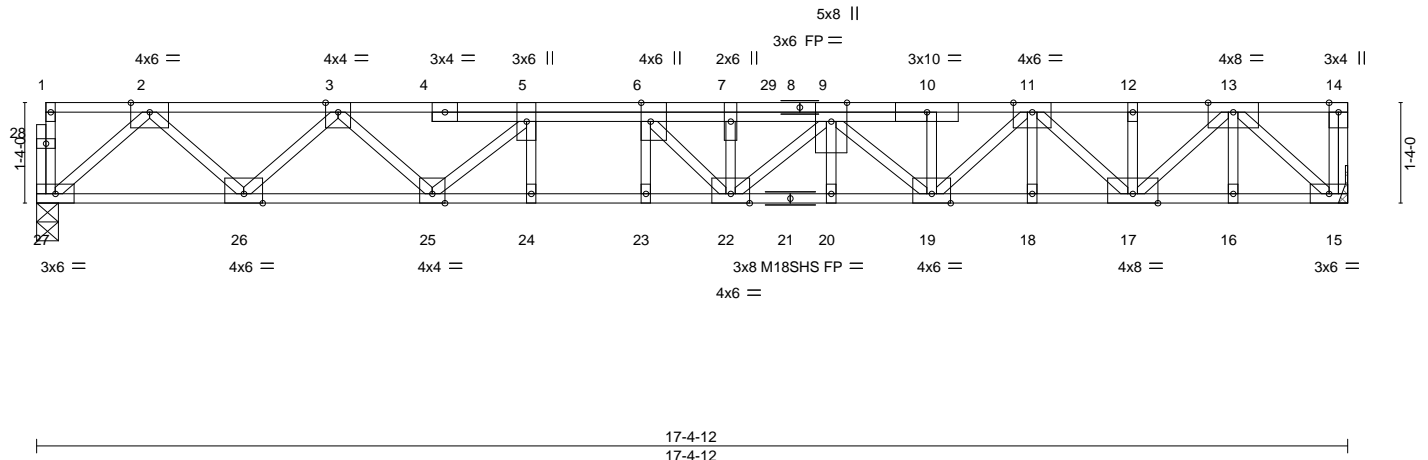


Plate Offsets (X,Y)-- [6:0-3-0,Edge]

LOADING (psf)	SPACING-	CSI.	DEFL.	PLATES	GRIP
TCLL 40.0	2-0-0 Plate Grip DOL 1.00	TC 0.41	in (loc) l/defl L/d Vert(LL) -0.21 22-23 >985 480	MT20	244/190
TCDL 10.0	Lumber DOL 1.00	BC 0.65	Vert(CT) -0.29 22-23 >707 360	M18SHS	244/190
BCLL 0.0	Rep Stress Incr NO	WB 0.66	Horz(CT) 0.06 15 n/a n/a		
BCDL 5.0	Code IRC2015/TPI2014	Matrix-S			
				Weight: 108 lb	FT = 20%F, 11%E

LUMBER-

TOP CHORD 2x4 SP 2400F 2.0E(flat)
BOT CHORD 2x4 SP 2400F 2.0E(flat)
WEBS 2x4 SP No.3(flat)

BRACING-

TOP CHORD Structural wood sheathing directly applied or 6-0-0 oc purlins, except end verticals.
BOT CHORD Rigid ceiling directly applied or 10-0-0 oc bracing.

REACTIONS.

(size) 27=0-3-8, 15=Mechanical
Max Grav 27=1112(LC 1), 15=1169(LC 1)

FORCES.

(lb) - Max. Comp./Max. Ten. - All forces 250 (lb) or less except when shown.
TOP CHORD 2-3=-2077/0, 3-5=-3610/0, 5-6=-4426/0, 6-7=-4969/0, 7-9=-4969/0, 9-10=-3904/0, 10-11=-3899/0, 11-12=-2304/0, 12-13=-2304/0
BOT CHORD 26-27=0/1224, 25-26=0/2895, 24-25=0/4426, 23-24=0/4426, 22-23=0/4426, 20-22=0/4648, 19-20=0/4648, 18-19=0/3179, 17-18=0/3179, 16-17=0/1273, 15-16=0/1273
WEBS 2-27=-1627/0, 2-26=0/1187, 3-26=-1138/0, 3-25=0/989, 5-25=-1130/0, 13-15=-1684/0, 13-17=0/1391, 11-17=-1180/0, 11-19=0/972, 9-19=-988/0, 9-22=0/469, 7-22=-807/0, 6-22=0/1041

NOTES-

- Unbalanced floor live loads have been considered for this design.
- All plates are MT20 plates unless otherwise indicated.
- All plates are 1.5x3 MT20 unless otherwise indicated.
- Plates checked for a plus or minus 1 degree rotation about its center.
- Refer to girder(s) for truss to truss connections.
- Recommend 2x6 strongbacks, on edge, spaced at 10-0-0 oc and fastened to each truss with 3-10d (0.131" X 3") nails. Strongbacks to be attached to walls at their outer ends or restrained by other means.
- CAUTION, Do not erect truss backwards.
- Hanger(s) or other connection device(s) shall be provided sufficient to support concentrated load(s) 481 lb down at 9-9-4 on top chord. The design/selection of such connection device(s) is the responsibility of others.
- In the LOAD CASE(S) section, loads applied to the face of the truss are noted as front (F) or back (B).

LOAD CASE(S) Standard

- Dead + Floor Live (balanced): Lumber Increase=1.00, Plate Increase=1.00
Uniform Loads (plf)
Vert: 15-27=-10, 1-14=-100
Concentrated Loads (lb)
Vert: 29=-401(F)



August 3, 2021

WARNING - Verify design parameters and READ NOTES ON THIS AND INCLUDED MITTEK REFERENCE PAGE MII-7473 rev. 5/19/2020 BEFORE USE.
Design valid for use only with MiTek® connectors. This design is based only upon parameters shown, and is for an individual building component, not a truss system. Before use, the building designer must verify the applicability of design parameters and properly incorporate this design into the overall building design. Bracing indicated is to prevent buckling of individual truss web and/or chord members only. Additional temporary and permanent bracing is always required for stability and to prevent collapse with possible personal injury and property damage. For general guidance regarding the fabrication, storage, delivery, erection and bracing of trusses and truss systems, see **ANSI/TPI1 Quality Criteria, DSB-89 and BCSI Building Component Safety Information** available from Truss Plate Institute, 2670 Crain Highway, Suite 203 Waldorf, MD 20601

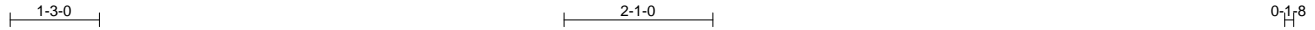


818 Soundside Road
Edenton, NC 27932

Job J0721-4310	Truss F2	Truss Type Floor	Qty 7	Ply 1	Lot 4 Cameron Rd. Job Reference (optional)	E16001335
-------------------	-------------	---------------------	----------	----------	---	-----------

Comtech, Inc, Fayetteville, NC - 28314,

8,430 s Jun 2 2021 MiTek Industries, Inc. Tue Aug 3 07:54:25 2021 Page 1
ID:I4HRAT3eIT9qoRIdAoEs_5z0Axy-imVaUvjYdygo7?ggFslDbpFZ?xwCzz1pYFfk06yrd5y



Scale = 1:30.3

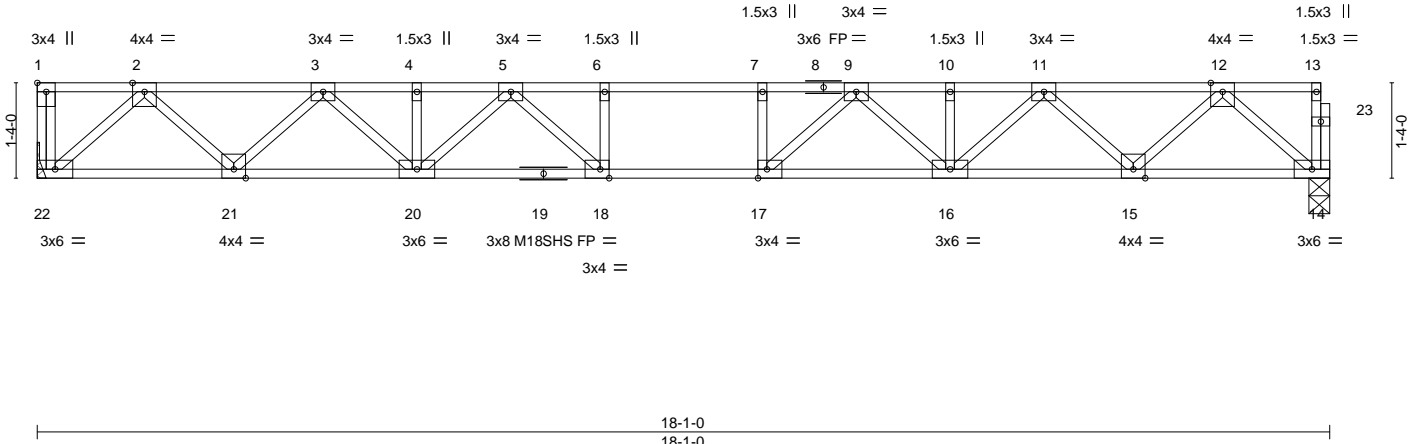


Plate Offsets (X,Y)-- [1:Edge,0-1-8], [17:0-1-8,Edge], [18:0-1-8,Edge]

LOADING (psf)	SPACING-	CSI.	DEFL.	PLATES	GRIP
TCLL 40.0	2-0-0	TC 0.56	in (loc) l/defl L/d	MT20	244/190
TCDL 10.0	Plate Grip DOL 1.00	BC 0.77	Vert(LL) -0.22 17-18 >956 480	M18SHS	244/190
BCLL 0.0	Lumber DOL 1.00	WB 0.48	Vert(CT) -0.31 17-18 >695 360		
BCDL 5.0	Rep Stress Incr YES	Matrix-S	Horz(CT) 0.06 14 n/a n/a		
	Code IRC2015/TPI2014			Weight: 96 lb	FT = 20%F, 11%E

LUMBER-

TOP CHORD 2x4 SP No.1 (flat)
BOT CHORD 2x4 SP No.1 (flat)
WEBS 2x4 SP No.3 (flat)

BRACING-

TOP CHORD Structural wood sheathing directly applied or 6-0-0 oc purlins, except end verticals.
BOT CHORD Rigid ceiling directly applied or 10-0-0 oc bracing.

REACTIONS.

(size) 22=Mechanical, 14=0-3-8
Max Grav 22=981(LC 1), 14=975(LC 1)

FORCES.

(lb) - Max. Comp./Max. Ten. - All forces 250 (lb) or less except when shown.
TOP CHORD 2-3=-1787/0, 3-4=-2985/0, 4-5=-2985/0, 5-6=-3581/0, 6-7=-3581/0, 7-9=-3581/0, 9-10=-2985/0, 10-11=-2985/0, 11-12=-1787/0
BOT CHORD 21-22=0/1058, 20-21=0/2486, 18-20=0/3347, 17-18=0/3581, 16-17=0/3347, 15-16=0/2486, 14-15=0/1058
WEBS 2-22=-1409/0, 2-21=0/1013, 3-21=-972/0, 3-20=0/678, 5-20=-492/0, 5-18=-55/627, 6-18=-316/0, 12-14=-1406/0, 12-15=0/1014, 11-15=-973/0, 11-16=0/678, 9-16=-492/0, 9-17=-55/627, 7-17=-316/0

NOTES-

- Unbalanced floor live loads have been considered for this design.
- All plates are MT20 plates unless otherwise indicated.
- Plates checked for a plus or minus 1 degree rotation about its center.
- Refer to girder(s) for truss to truss connections.
- Recommend 2x6 strongbacks, on edge, spaced at 10-0-0 oc and fastened to each truss with 3-10d (0.131" X 3") nails. Strongbacks to be attached to walls at their outer ends or restrained by other means.
- CAUTION, Do not erect truss backwards.



August 3, 2021

WARNING - Verify design parameters and READ NOTES ON THIS AND INCLUDED MITTEK REFERENCE PAGE MII-7473 rev. 5/19/2020 BEFORE USE.
Design valid for use only with MiTek® connectors. This design is based only upon parameters shown, and is for an individual building component, not a truss system. Before use, the building designer must verify the applicability of design parameters and properly incorporate this design into the overall building design. Bracing indicated is to prevent buckling of individual truss web and/or chord members only. Additional temporary and permanent bracing is always required for stability and to prevent collapse with possible personal injury and property damage. For general guidance regarding the fabrication, storage, delivery, erection and bracing of trusses and truss systems, see **ANSI/TPI1 Quality Criteria, DSB-89 and BCSI Building Component Safety Information** available from Truss Plate Institute, 2670 Crain Highway, Suite 203 Waldorf, MD 20601



818 Soundside Road
Edenton, NC 27932

Job	Truss	Truss Type	Qty	Ply	Lot 4 Cameron Rd.	E16001336
J0721-4310	F2A	Floor	1	1	Job Reference (optional)	

Comtech, Inc, Fayetteville, NC - 28314,

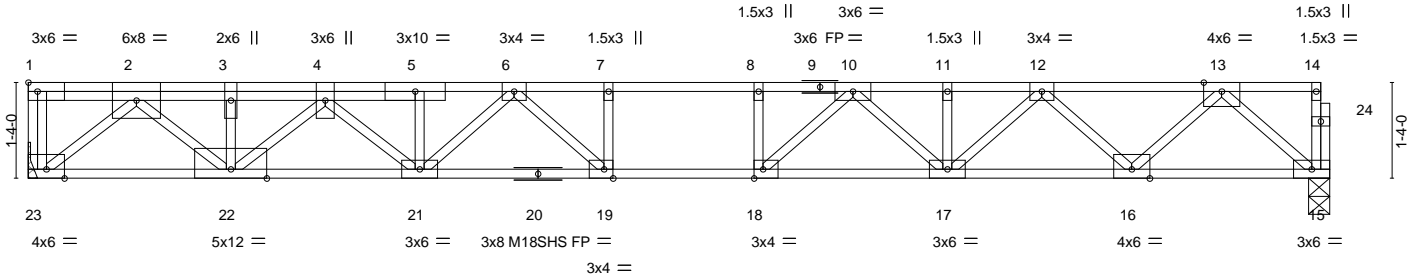
8,430 s Jun 2 2021 MiTek Industries, Inc. Tue Aug 3 07:54:26 2021 Page 1
ID:I4HRAT3eIT9qoRIdAoEs_5z0Axy-Az3zhFKAOFoel9FspZpS81CiRlIYiJgynvPIZZyrd5x

1-3-0

1-11-8

0-1-8

Scale = 1:30.1



18-1-0
18-1-0

Plate Offsets (X,Y)-- [18:0-1-8,Edge], [19:0-1-8,Edge]

LOADING (psf)	SPACING-	CSI.	DEFL.	in (loc)	l/defl	L/d	PLATES	GRIP
TCLL 40.0	2-0-0 Plate Grip DOL 1.00	TC 0.65	Vert(LL) -0.24	19-21	>893	480	MT20	244/190
TCDL 10.0	Lumber DOL 1.00	BC 0.70	Vert(CT) -0.33	19-21	>643	360	M18SHS	244/190
BCLL 0.0	Rep Stress Incr NO	WB 0.91	Horz(CT) 0.06	15	n/a	n/a		
BCDL 5.0	Code IRC2015/TPI2014	Matrix-S						
							Weight: 104 lb	FT = 20%F, 11%E

LUMBER-

TOP CHORD 2x4 SP 2400F 2.0E(flat)
BOT CHORD 2x4 SP 2400F 2.0E(flat)
WEBS 2x4 SP No.3(flat)

BRACING-

TOP CHORD Structural wood sheathing directly applied or 6-0-0 oc purlins, except end verticals.
BOT CHORD Rigid ceiling directly applied or 10-0-0 oc bracing.

REACTIONS.

(size) 23=Mechanical, 15=0-3-8
Max Grav 23=1498(LC 1), 15=1066(LC 1)

FORCES.

(lb) - Max. Comp./Max. Ten. - All forces 250 (lb) or less except when shown.
TOP CHORD 2-3=-3133/0, 3-4=-3133/0, 4-5=-3993/0, 5-6=-3987/0, 6-7=-4253/0, 7-8=-4253/0, 8-10=-4253/0, 10-11=-3371/0, 11-12=-3371/0, 12-13=-1987/0
BOT CHORD 22-23=0/1699, 21-22=0/3727, 19-21=0/4221, 18-19=0/4253, 17-18=0/3839, 16-17=0/2775, 15-16=0/1163
WEBS 2-23=-2212/0, 2-22=0/1902, 3-22=-712/0, 4-22=-789/0, 4-21=0/346, 13-15=-1545/0, 13-16=0/1146, 12-16=-1097/0, 12-17=0/810, 10-17=-636/0, 10-18=0/862, 8-18=-418/0, 6-21=-318/0, 6-19=-321/322

NOTES-

- Unbalanced floor live loads have been considered for this design.
- All plates are MT20 plates unless otherwise indicated.
- Plates checked for a plus or minus 1 degree rotation about its center.
- Refer to girder(s) for truss to truss connections.
- Recommend 2x6 strongbacks, on edge, spaced at 10-0-0 oc and fastened to each truss with 3-10d (0.131" X 3") nails. Strongbacks to be attached to walls at their outer ends or restrained by other means.
- CAUTION, Do not erect truss backwards.
- Hanger(s) or other connection device(s) shall be provided sufficient to support concentrated load(s) 689 lb down at 2-6-4 on top chord. The design/selection of such connection device(s) is the responsibility of others.
- In the LOAD CASE(S) section, loads applied to the face of the truss are noted as front (F) or back (B).

LOAD CASE(S) Standard

- Dead + Floor Live (balanced): Lumber Increase=1.00, Plate Increase=1.00
Uniform Loads (plf)
Vert: 15-23=-10, 1-14=-100
Concentrated Loads (lb)
Vert: 3=-609(F)



August 3, 2021

WARNING - Verify design parameters and READ NOTES ON THIS AND INCLUDED MITEK REFERENCE PAGE MII-7473 rev. 5/19/2020 BEFORE USE.
Design valid for use only with MiTek® connectors. This design is based only upon parameters shown, and is for an individual building component, not a truss system. Before use, the building designer must verify the applicability of design parameters and properly incorporate this design into the overall building design. Bracing indicated is to prevent buckling of individual truss web and/or chord members only. Additional temporary and permanent bracing is always required for stability and to prevent collapse with possible personal injury and property damage. For general guidance regarding the fabrication, storage, delivery, erection and bracing of trusses and truss systems, see **ANSI/TP11 Quality Criteria, DSB-89 and BCSI Building Component Safety Information** available from Truss Plate Institute, 2670 Crain Highway, Suite 203 Waldorf, MD 20601



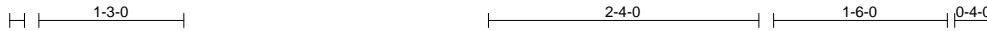
818 Soundside Road
Edenton, NC 27932

Job J0721-4310	Truss F3	Truss Type Floor	Qty 2	Ply 1	Lot 4 Cameron Rd. Job Reference (optional)	E16001337
-------------------	-------------	---------------------	----------	----------	---	-----------

Comtech, Inc, Fayetteville, NC - 28314,

8,430 s Jun 2 2021 MiTek Industries, Inc. Tue Aug 3 07:54:27 2021 Page 1
ID:I4HRAT3eIT9qoRldAoEs_5z0Axy-e9clvblo9ZwVMJq2NHKhgEkx?IhJRwl6?Z8r5?yrd5w

0-1-8



Scale = 1:18.7

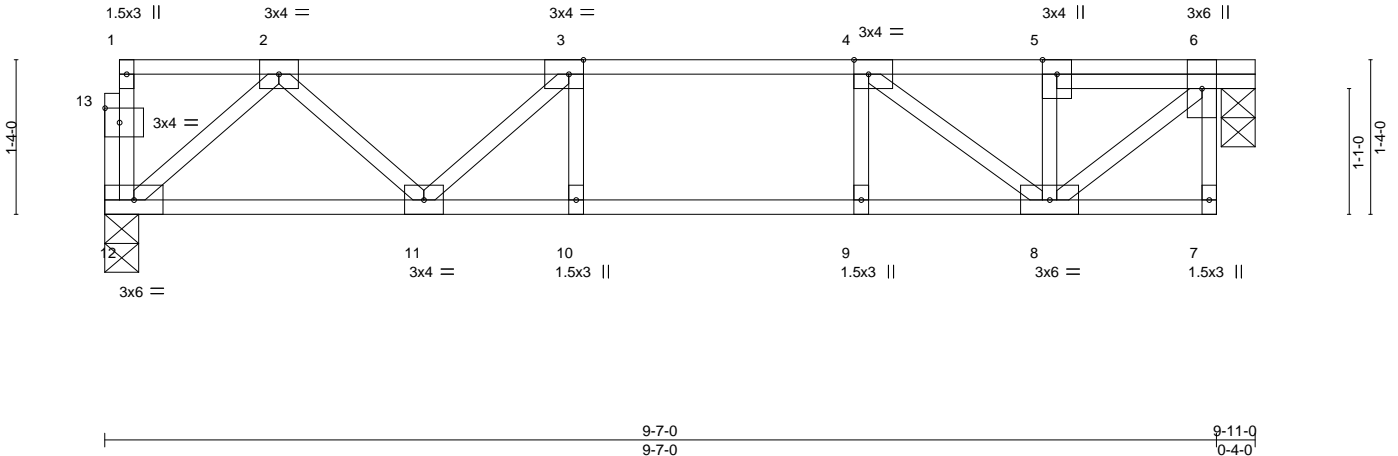


Plate Offsets (X,Y)-- [3:0-1-8,Edge], [4:0-1-8,Edge], [13:0-1-8,0-1-8]

LOADING (psf)	SPACING-	CSI.	DEFL.	in (loc)	l/defl	L/d	PLATES	GRIP
TCLL 40.0	2-0-0	TC 0.40	Vert(LL)	-0.07	10	>999	MT20	244/190
TCDL 10.0	Plate Grip DOL 1.00	BC 0.47	Vert(CT)	-0.09	10	>999		
BCLL 0.0	Lumber DOL 1.00	WB 0.31	Horz(CT)	0.02	6	n/a		
BCDL 5.0	Rep Stress Incr YES	Matrix-S						
	Code IRC2015/TPI2014						Weight: 53 lb	FT = 20%F, 11%E

LUMBER-

TOP CHORD 2x4 SP No.1 (flat)
BOT CHORD 2x4 SP No.1 (flat)
WEBS 2x4 SP No.3 (flat)

BRACING-

TOP CHORD Structural wood sheathing directly applied or 6-0-0 oc purlins, except end verticals.
BOT CHORD Rigid ceiling directly applied or 10-0-0 oc bracing.

REACTIONS.

(size) 12=0-3-8, 6=0-3-8
Max Grav 12=511(LC 1), 6=517(LC 1)

FORCES.

(lb) - Max. Comp./Max. Ten. - All forces 250 (lb) or less except when shown.
TOP CHORD 2-3=-781/0, 3-4=-966/0, 4-5=-493/0, 5-6=-497/0
BOT CHORD 11-12=0/541, 10-11=0/966, 9-10=0/966, 8-9=0/966
WEBS 6-8=0/642, 2-12=-718/0, 2-11=0/334, 3-11=-308/0, 4-8=-629/0

NOTES-

- Unbalanced floor live loads have been considered for this design.
- Plates checked for a plus or minus 1 degree rotation about its center.
- Recommend 2x6 strongbacks, on edge, spaced at 10-0-0 oc and fastened to each truss with 3-10d (0.131" X 3") nails. Strongbacks to be attached to walls at their outer ends or restrained by other means.
- Gap between inside of top chord bearing and first diagonal or vertical web shall not exceed 0.500in.
- CAUTION, Do not erect truss backwards.



August 3, 2021

WARNING - Verify design parameters and READ NOTES ON THIS AND INCLUDED MITTEK REFERENCE PAGE MII-7473 rev. 5/19/2020 BEFORE USE.
Design valid for use only with MiTek® connectors. This design is based only upon parameters shown, and is for an individual building component, not a truss system. Before use, the building designer must verify the applicability of design parameters and properly incorporate this design into the overall building design. Bracing indicated is to prevent buckling of individual truss web and/or chord members only. Additional temporary and permanent bracing is always required for stability and to prevent collapse with possible personal injury and property damage. For general guidance regarding the fabrication, storage, delivery, erection and bracing of trusses and truss systems, see **ANSI/TPI1 Quality Criteria, DSB-89 and BCSI Building Component Safety Information** available from Truss Plate Institute, 2670 Crain Highway, Suite 203 Waldorf, MD 20601



818 Soundside Road
Edenton, NC 27932

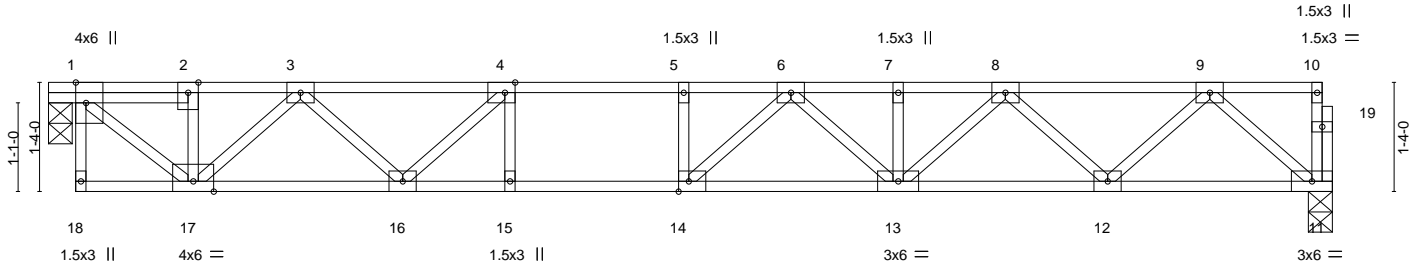
Job J0721-4310	Truss F4	Truss Type Floor	Qty 2	Ply 1	Lot 4 Cameron Rd. Job Reference (optional)	E16001338
-------------------	-------------	---------------------	----------	----------	---	-----------

Comtech, Inc, Fayetteville, NC - 28314,

8,430 s Jun 2 2021 MiTek Industries, Inc. Tue Aug 3 07:54:27 2021 Page 1
ID:I4HRAT3eIT9qoRIdAoEs_5z0Axy-e9clvblo9ZwVMJq2NHKhgEkt2la1RsZ6?Z8r5?yrd5w



0-1-8
Scale = 1:26.5



0-4-0 0-4-0	15-8-8 15-4-8
Plate Offsets (X,Y)-- [1:0-3-0,Edge], [4:0-1-8,Edge], [14:0-1-8,Edge]	

LOADING (psf) TCLL 40.0 TCDL 10.0 BCLL 0.0 BCDL 5.0	SPACING- 2-0-0 Plate Grip DOL 1.00 Lumber DOL 1.00 Rep Stress Incr YES Code IRC2015/TPI2014	CSI. TC 0.66 BC 0.94 WB 0.54 Matrix-S	DEFL. in (loc) l/defl L/d Vert(LL) -0.21 13-14 >855 480 Vert(CT) -0.29 13-14 >639 360 Horz(CT) 0.02 11 n/a n/a	PLATES GRIP MT20 244/190 Weight: 84 lb FT = 20%F, 11%E
--	---	--	---	---

LUMBER- TOP CHORD 2x4 SP No.1 (flat) BOT CHORD 2x4 SP No.1 (flat) WEBS 2x4 SP No.3 (flat)	BRACING- TOP CHORD Structural wood sheathing directly applied or 6-0-0 oc purlins, except end verticals. BOT CHORD Rigid ceiling directly applied or 10-0-0 oc bracing. Except: 2-2-0 oc bracing: 14-15.
---	---

REACTIONS. (size) 11=0-3-8, 1=0-3-8
Max Grav 11=829(LC 1), 1=835(LC 1)

FORCES. (lb) - Max. Comp./Max. Ten. - All forces 250 (lb) or less except when shown.
TOP CHORD 1-2=-881/0, 2-3=-878/0, 3-4=-1989/0, 4-5=-2524/0, 5-6=-2524/0, 6-7=-2371/0, 7-8=-2371/0, 8-9=-1469/0
BOT CHORD 16-17=0/1534, 15-16=0/2524, 14-15=0/2524, 13-14=0/2568, 12-13=0/2027, 11-12=0/891
WEBS 1-17=0/1143, 3-17=-892/0, 3-16=0/633, 4-16=-792/0, 9-11=-1184/0, 9-12=0/804, 8-12=-776/0, 8-13=0/468, 6-13=-279/0, 6-14=-258/302

- NOTES-**
- Unbalanced floor live loads have been considered for this design.
 - All plates are 3x4 MT20 unless otherwise indicated.
 - Plates checked for a plus or minus 1 degree rotation about its center.
 - Recommend 2x6 strongbacks, on edge, spaced at 10-0-0 oc and fastened to each truss with 3-10d (0.131" X 3") nails. Strongbacks to be attached to walls at their outer ends or restrained by other means.
 - Gap between inside of top chord bearing and first diagonal or vertical web shall not exceed 0.500in.
 - CAUTION, Do not erect truss backwards.



August 3, 2021

WARNING - Verify design parameters and READ NOTES ON THIS AND INCLUDED MITEK REFERENCE PAGE MII-7473 rev. 5/19/2020 BEFORE USE.
Design valid for use only with MiTek® connectors. This design is based only upon parameters shown, and is for an individual building component, not a truss system. Before use, the building designer must verify the applicability of design parameters and properly incorporate this design into the overall building design. Bracing indicated is to prevent buckling of individual truss web and/or chord members only. Additional temporary and permanent bracing is always required for stability and to prevent collapse with possible personal injury and property damage. For general guidance regarding the fabrication, storage, delivery, erection and bracing of trusses and truss systems, see **ANSI/TPI1 Quality Criteria, DSB-89 and BCSI Building Component Safety Information** available from Truss Plate Institute, 2670 Crain Highway, Suite 203 Waldorf, MD 20601



818 Soundside Road
Edenton, NC 27932

Job J0721-4310	Truss F5	Truss Type Floor	Qty 3	Ply 1	Lot 4 Cameron Rd. Job Reference (optional)	E16001339
-------------------	-------------	---------------------	----------	----------	---	-----------

Comtech, Inc. Fayetteville, NC - 28314,

8.430 s Jun 2 2021 MiTek Industries, Inc. Tue Aug 3 07:54:28 2021 Page 1
ID:I4HRAT3eIT9qoRldAoEs_5z0Axy-6LAj6xmQwt3M_TPFx_nwDSH198zDAGyFEDuOdRyrd5v

0-1-8



0-1-8
Scale = 1:61.1

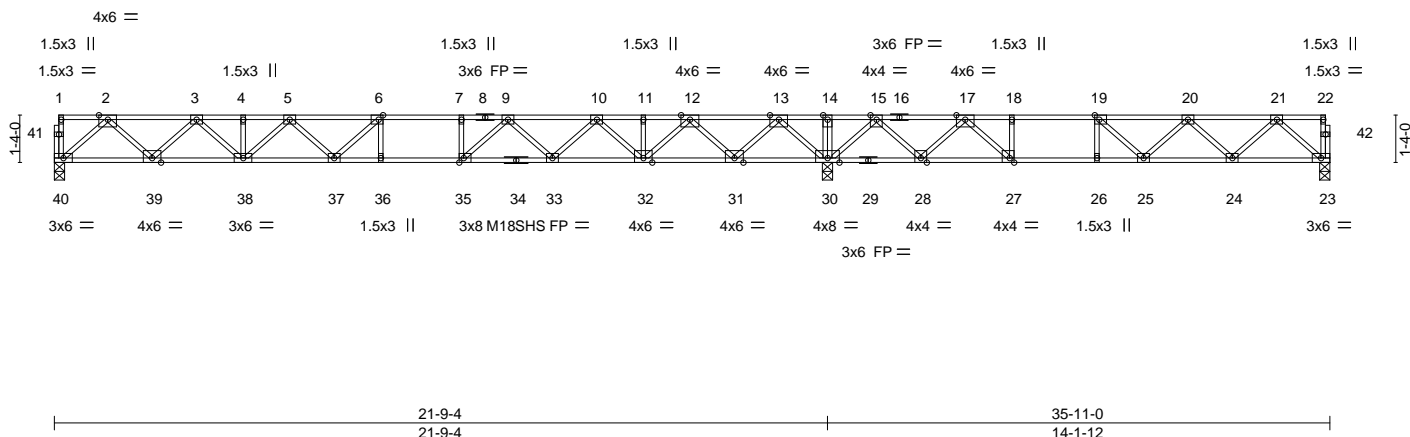


Plate Offsets (X,Y)-- [6:0-1-8,Edge], [19:0-1-8,Edge], [27:0-1-8,Edge], [35:0-1-8,Edge]

LOADING (psf)	SPACING-	CSI.	DEFL.	PLATES	GRIP
TCLL 40.0	2-0-0	TC 0.76	in (loc) l/defl L/d	MT20	244/190
TCDL 10.0	Plate Grip DOL 1.00	BC 0.75	Vert(LL) -0.31 36 >829 480	M18SHS	244/190
BCLL 0.0	Lumber DOL 1.00	WB 0.73	Vert(CT) -0.43 36 >610 360		
BCDL 5.0	Rep Stress Incr YES	Matrix-S	Horz(CT) 0.06 23 n/a n/a		
	Code IRC2015/TPI2014			Weight: 184 lb	FT = 20%F, 11%E

LUMBER-	BRACING-
TOP CHORD 2x4 SP 2400F 2.0E(flat)	TOP CHORD Structural wood sheathing directly applied or 6-0-0 oc purlins, except end verticals.
BOT CHORD 2x4 SP 2400F 2.0E(flat)	BOT CHORD Rigid ceiling directly applied or 6-0-0 oc bracing.
WEBS 2x4 SP No.3(flat)	

REACTIONS. (size) 40=0-3-8, 30=0-3-8, 23=0-3-8
Max Grav 40=1057(LC 10), 30=2336(LC 1), 23=679(LC 4)

FORCES. (lb) - Max. Comp./Max. Ten. - All forces 250 (lb) or less except when shown.

TOP CHORD 2-3=-1966/0, 3-4=-3327/0, 4-5=-3327/0, 5-6=-4044/0, 6-7=-4202/0, 7-9=-4202/0, 9-10=-3391/0, 10-11=-2151/0, 11-12=-2151/0, 12-13=-239/263, 13-14=0/2770, 14-15=0/2770, 15-17=-494/1577, 17-18=-1640/684, 18-19=-1640/684, 19-20=-1673/310, 20-21=-1153/65

BOT CHORD 39-40=0/1151, 38-39=0/2750, 37-38=0/3828, 36-37=0/4202, 35-36=0/4202, 33-35=0/3869, 32-33=0/2910, 31-32=0/1292, 30-31=-1325/0, 28-30=-1902/0, 27-28=-1197/1100, 26-27=-684/1640, 25-26=-684/1640, 24-25=-121/1577, 23-24=-24/710

WEBS 2-40=-1529/0, 2-39=0/1134, 3-39=-1091/0, 3-38=0/783, 13-30=-1924/0, 13-31=0/1527, 12-31=-1508/0, 12-32=0/1210, 10-32=-1075/0, 10-33=0/705, 9-33=-716/0, 5-38=-681/0, 5-37=0/422, 6-37=-483/199, 9-35=0/824, 7-35=-365/0, 15-30=-1387/0, 15-28=0/969, 17-28=-1088/0, 17-27=0/1206, 21-23=-943/33, 21-24=-57/615, 20-24=-590/78, 20-25=-263/135, 19-25=0/556, 19-26=-365/0, 18-27=-522/0

- NOTES-**
- Unbalanced floor live loads have been considered for this design.
 - All plates are MT20 plates unless otherwise indicated.
 - All plates are 3x4 MT20 unless otherwise indicated.
 - Plates checked for a plus or minus 1 degree rotation about its center.
 - Recommend 2x6 strongbacks, on edge, spaced at 10-0-0 oc and fastened to each truss with 3-10d (0.131" X 3") nails. Strongbacks to be attached to walls at their outer ends or restrained by other means.
 - CAUTION, Do not erect truss backwards.



August 3, 2021

WARNING - Verify design parameters and READ NOTES ON THIS AND INCLUDED MITTEK REFERENCE PAGE MII-7473 rev. 5/19/2020 BEFORE USE.
Design valid for use only with MiTek® connectors. This design is based only upon parameters shown, and is for an individual building component, not a truss system. Before use, the building designer must verify the applicability of design parameters and properly incorporate this design into the overall building design. Bracing indicated is to prevent buckling of individual truss web and/or chord members only. Additional temporary and permanent bracing is always required for stability and to prevent collapse with possible personal injury and property damage. For general guidance regarding the fabrication, storage, delivery, erection and bracing of trusses and truss systems, see ANSI/TPI1 Quality Criteria, DSB-89 and BCSI Building Component Safety Information available from Truss Plate Institute, 2670 Crain Highway, Suite 203 Waldorf, MD 20601



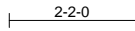
818 Soundside Road
Edenton, NC 27932

Job J0721-4310	Truss F6	Truss Type Floor	Qty 5	Ply 1	Lot 4 Cameron Rd. Job Reference (optional)	E16001340
-------------------	-------------	---------------------	----------	----------	---	-----------

Comtech, Inc. Fayetteville, NC - 28314,

8.430 s Jun 2 2021 MiTek Industries, Inc. Tue Aug 3 07:54:29 2021 Page 1
ID:I4HRAT3eIT9qRIdAoEs_5z0Axy-aYk5KHm3hABDcd_rUhm9mpk_YMevInPTdyAuyrd5u

0-1-8



0-1-8
Scale = 1:37.1

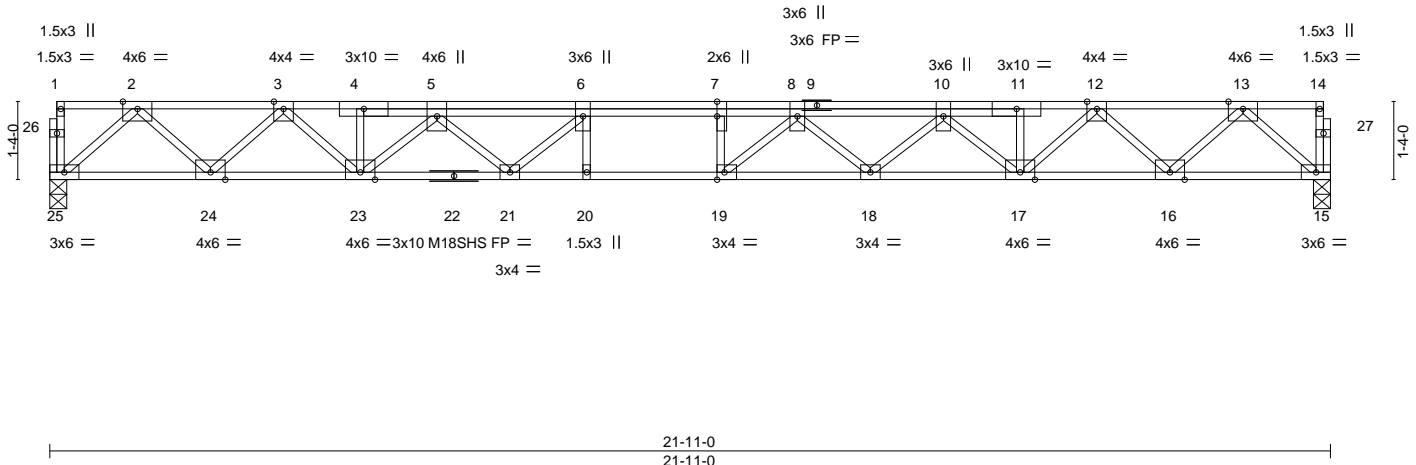


Plate Offsets (X,Y)-- [7:0-3-0,0-0-0],[19:0-1-8,Edge]

LOADING (psf)	SPACING-	2-0-0	CSI.	DEFL.	in	(loc)	l/defl	L/d	PLATES	GRIP
TCLL 40.0	Plate Grip DOL	1.00	TC 0.24	Vert(LL)	-0.34	19	>763	480	MT20	244/190
TCDL 10.0	Lumber DOL	1.00	BC 0.55	Vert(CT)	-0.47	19	>554	360	M18SHS	244/190
BCLL 0.0	Rep Stress Incr	YES	WB 0.63	Horz(CT)	0.09	15	n/a	n/a		
BCDL 5.0	Code IRC2015/TPI2014		Matrix-S							
									Weight: 129 lb	FT = 20%F, 11%E

LUMBER-

TOP CHORD 2x4 SP 2400F 2.0E(flat)
BOT CHORD 2x4 SP 2400F 2.0E(flat)
WEBS 2x4 SP No.3(flat)

BRACING-

TOP CHORD Structural wood sheathing directly applied or 6-0-0 oc purlins, except end verticals.
BOT CHORD Rigid ceiling directly applied or 10-0-0 oc bracing.

REACTIONS.

(size) 25=0-3-8, 15=0-3-8
Max Grav 25=1185(LC 1), 15=1185(LC 1)

FORCES.

(lb) - Max. Comp./Max. Ten. - All forces 250 (lb) or less except when shown.
TOP CHORD 2-3=-2243/0, 3-4=-3884/0, 4-5=-3890/0, 5-6=-5113/0, 6-7=-5539/0, 7-8=-5539/0, 8-10=-5100/0, 10-11=-3889/0, 11-12=-3882/0, 12-13=-2243/0
BOT CHORD 24-25=0/1296, 23-24=0/3160, 21-23=0/4694, 20-21=0/5539, 19-20=0/5539, 18-19=0/5456, 17-18=0/4709, 16-17=0/3160, 15-16=0/1296
WEBS 2-25=-1723/0, 2-24=0/1316, 3-24=-1276/0, 3-23=0/984, 13-15=-1723/0, 13-16=0/1317, 12-16=-1276/0, 12-17=0/982, 10-17=-1098/0, 10-18=0/530, 8-18=-483/0, 5-23=-1075/0, 5-21=0/745, 6-21=-802/0, 8-19=-358/654, 7-19=-367/203

NOTES-

- 1) Unbalanced floor live loads have been considered for this design.
- 2) All plates are MT20 plates unless otherwise indicated.
- 3) Plates checked for a plus or minus 1 degree rotation about its center.
- 4) Recommend 2x6 strongbacks, on edge, spaced at 10-0-0 oc and fastened to each truss with 3-10d (0.131" X 3") nails. Strongbacks to be attached to walls at their outer ends or restrained by other means.



August 3, 2021

WARNING - Verify design parameters and READ NOTES ON THIS AND INCLUDED MITEK REFERENCE PAGE MII-7473 rev. 5/19/2020 BEFORE USE.
Design valid for use only with MiTek® connectors. This design is based only upon parameters shown, and is for an individual building component, not a truss system. Before use, the building designer must verify the applicability of design parameters and properly incorporate this design into the overall building design. Bracing indicated is to prevent buckling of individual truss web and/or chord members only. Additional temporary and permanent bracing is always required for stability and to prevent collapse with possible personal injury and property damage. For general guidance regarding the fabrication, storage, delivery, erection and bracing of trusses and truss systems, see **ANSI/TPI1 Quality Criteria, DSB-89 and BCSI Building Component Safety Information** available from Truss Plate Institute, 2670 Crain Highway, Suite 203 Waldorf, MD 20601



818 Soundside Road
Edenton, NC 27932

Job J0721-4310	Truss FG1	Truss Type Floor Girder	Qty 1	Ply 1	Lot 4 Cameron Rd. Job Reference (optional)	E16001341
-------------------	--------------	----------------------------	----------	----------	---	-----------

Comtech, Inc., Fayetteville, NC - 28314,

8,430 s Jun 2 2021 MiTek Industries, Inc. Tue Aug 3 07:54:30 2021 Page 1
ID:I4HRAT3eIT9qoRldAoEs_5z0Axy-2klTXdnhRUJ4DnZd2PtOltMTCykjeLYiXNVikYrd5t

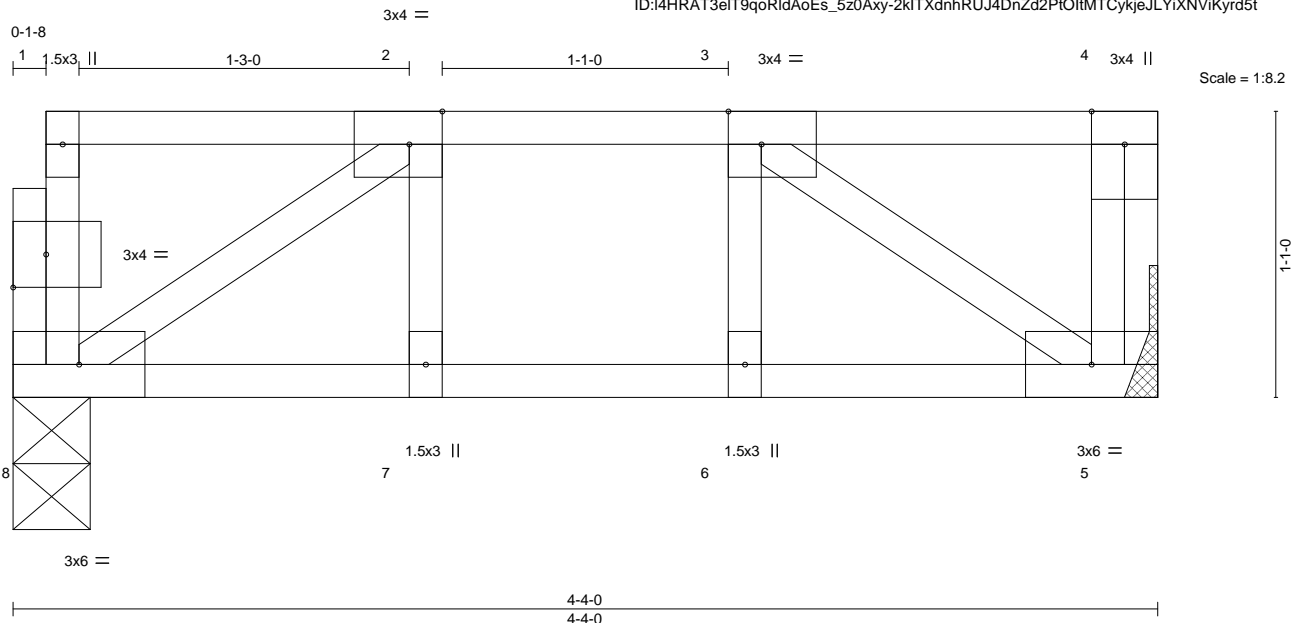


Plate Offsets (X,Y)-- [2:0-1-8,Edge], [3:0-1-8,Edge], [9:0-1-8,0-1-8]

LOADING (psf)	SPACING-	CSI.	DEFL.	in (loc)	l/defl	L/d	PLATES	GRIP
TCLL 40.0	2-0-0	TC 0.28	Vert(LL)	-0.02	5-6	>999	MT20	244/190
TCDL 10.0	Plate Grip DOL 1.00	BC 0.36	Vert(CT)	-0.02	5-6	>999		
BCLL 0.0	Lumber DOL 1.00	WB 0.16	Horz(CT)	0.00	5	n/a		
BCDL 5.0	Rep Stress Incr NO	Matrix-S						
	Code IRC2015/TPI2014						Weight: 24 lb	FT = 20%F, 11%E

LUMBER-

TOP CHORD 2x4 SP No.1(flat)
BOT CHORD 2x4 SP No.1(flat)
WEBS 2x4 SP No.3(flat)

BRACING-

TOP CHORD Structural wood sheathing directly applied or 4-4-0 oc purlins, except end verticals.
BOT CHORD Rigid ceiling directly applied or 10-0-0 oc bracing.

REACTIONS.

(size) 8=0-3-8, 5=Mechanical
Max Grav 8=810(LC 1), 5=501(LC 1)

FORCES.

(lb) - Max. Comp./Max. Ten. - All forces 250 (lb) or less except when shown.
TOP CHORD 1-8=-481/0, 2-3=-558/0
BOT CHORD 7-8=0/558, 6-7=0/558, 5-6=0/558
WEBS 3-5=-671/0, 2-8=-633/0

NOTES-

- Unbalanced floor live loads have been considered for this design.
- Plates checked for a plus or minus 1 degree rotation about its center.
- Refer to girder(s) for truss to truss connections.
- Recommend 2x6 strongbacks, on edge, spaced at 10-0-0 oc and fastened to each truss with 3-10d (0.131" X 3") nails. Strongbacks to be attached to walls at their outer ends or restrained by other means.
- CAUTION, Do not erect truss backwards.

LOAD CASE(S) Standard

- Dead + Floor Live (balanced): Lumber Increase=1.00, Plate Increase=1.00
Uniform Loads (plf)
Vert: 5-8=-10, 1-4=-100
Concentrated Loads (lb)
Vert: 1=-452 3=-417



August 3, 2021

WARNING - Verify design parameters and READ NOTES ON THIS AND INCLUDED MITEK REFERENCE PAGE MII-7473 rev. 5/19/2020 BEFORE USE.
Design valid for use only with MiTek® connectors. This design is based only upon parameters shown, and is for an individual building component, not a truss system. Before use, the building designer must verify the applicability of design parameters and properly incorporate this design into the overall building design. Bracing indicated is to prevent buckling of individual truss web and/or chord members only. Additional temporary and permanent bracing is always required for stability and to prevent collapse with possible personal injury and property damage. For general guidance regarding the fabrication, storage, delivery, erection and bracing of trusses and truss systems, see **ANSI/TPI1 Quality Criteria, DSB-89 and BCSI Building Component Safety Information** available from Truss Plate Institute, 2670 Crain Highway, Suite 203 Waldorf, MD 20601



818 Soundside Road
Edenton, NC 27932

Job J0721-4310	Truss FG2	Truss Type Floor Girder	Qty 1	Ply 1	Lot 4 Cameron Rd. Job Reference (optional)	E16001342
-------------------	--------------	----------------------------	----------	----------	---	-----------

Comtech, Inc. Fayetteville, NC - 28314,

8,430 s Jun 2 2021 MiTek Industries, Inc. Tue Aug 3 07:54:31 2021 Page 1

ID:14HRAT3919qoRIdAoEs_5z0Axy-WwsskzJCoRrxw8qc6Odr4vaJM2NNIBhwB63Emyrd5s

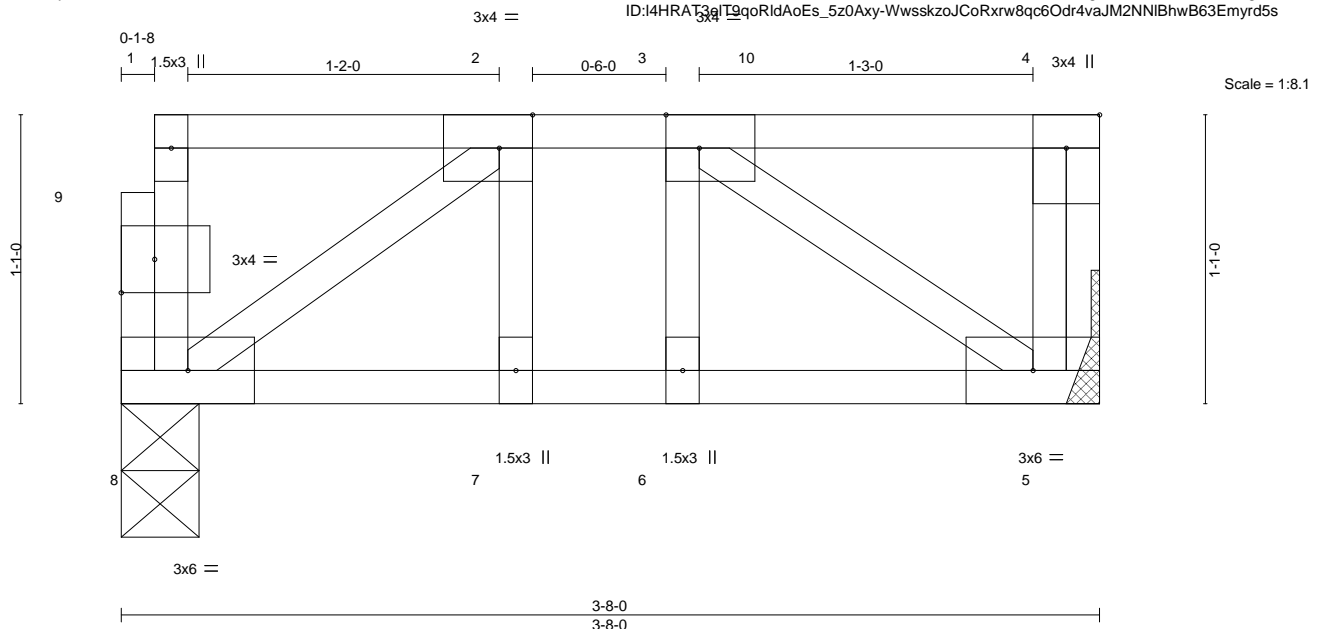


Plate Offsets (X,Y)-- [2:0-1-8,Edge], [3:0-1-8,Edge], [9:0-1-8,0-1-8]

LOADING (psf)	SPACING-	CSI.	DEFL.	PLATES	GRIP
TCLL 40.0	2-0-0	TC 0.58	in (loc) l/defl L/d	MT20	244/190
TCDL 10.0	Plate Grip DOL 1.00	BC 0.46	Vert(LL) -0.02 5-6 >999 480		
BCLL 0.0	Lumber DOL 1.00	WB 0.18	Vert(CT) -0.02 5-6 >999 360		
BCDL 5.0	Rep Stress Incr NO	Matrix-S	Horz(CT) 0.00 5 n/a n/a		
	Code IRC2015/TPI2014			Weight: 22 lb	FT = 20%F, 11%E

LUMBER-
TOP CHORD 2x4 SP 2400F 2.0E(flat)
BOT CHORD 2x4 SP No.1(flat)
WEBS 2x4 SP No.3(flat)

BRACING-
TOP CHORD Structural wood sheathing directly applied or 3-8-0 oc purlins, except end verticals.
BOT CHORD Rigid ceiling directly applied or 10-0-0 oc bracing.

REACTIONS. (size) 8=0-3-8, 5=Mechanical
Max Grav 8=1167(LC 1), 5=709(LC 1)

FORCES. (lb) - Max. Comp./Max. Ten. - All forces 250 (lb) or less except when shown.
TOP CHORD 1-8=-785/0, 2-3=-649/0
BOT CHORD 7-8=0/649, 6-7=0/649, 5-6=0/649
WEBS 3-5=-780/0, 2-8=-733/0, 2-7=0/274, 3-6=-254/0

NOTES-
1) Unbalanced floor live loads have been considered for this design.
2) Plates checked for a plus or minus 1 degree rotation about its center.
3) Refer to girder(s) for truss to truss connections.
4) Recommend 2x6 strongbacks, on edge, spaced at 10-0-0 oc and fastened to each truss with 3-10d (0.131" X 3") nails. Strongbacks to be attached to walls at their outer ends or restrained by other means.
5) CAUTION, Do not erect truss backwards.

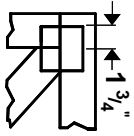
LOAD CASE(S) Standard
1) Dead + Floor Live (balanced): Lumber Increase=1.00, Plate Increase=1.00
Uniform Loads (plf)
Vert: 5-8=-10, 1-4=-100
Concentrated Loads (lb)
Vert: 1=-771 10=-735



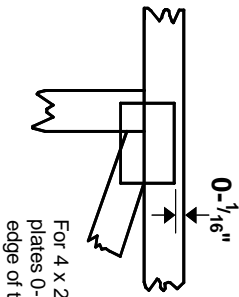
August 3, 2021

Symbols

PLATE LOCATION AND ORIENTATION



Center plate on joint unless x, y offsets are indicated. Dimensions are in ft-in-sixteenths. Apply plates to both sides of truss and fully embed teeth.



For 4 X 2 orientation, locate plates 0- 1/16" from outside edge of truss.

This symbol indicates the required direction of slots in connector plates.

* Plate location details available in **MITek 20/20** software or upon request.

PLATE SIZE

4 X 4

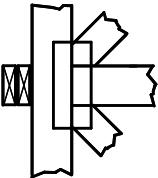
The first dimension is the plate width measured perpendicular to slots. Second dimension is the length parallel to slots.

LATERAL BRACING LOCATION



Indicated by symbol shown and/or by text in the bracing section of the output. Use T or I bracing if indicated.

BEARING



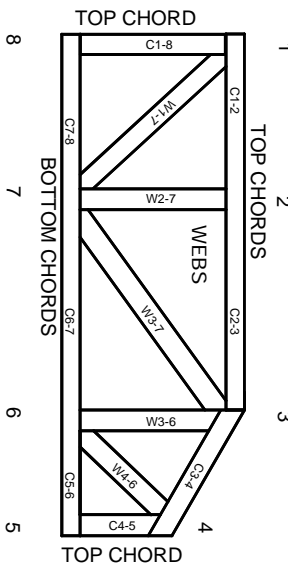
Indicates location where bearings (supports) occur. Icons vary but reaction section indicates joint number where bearings occur. Min size shown is for crushing only.

Industry Standards:

ANSI/ITP1: National Design Specification for Metal Plate Connected Wood Truss Construction.
DSB-89: Design Standard for Bracing.
BCSI: Building Component Safety Information, Guide to Good Practice for Handling, Installing & Bracing of Metal Plate Connected Wood Trusses.

Numbering System

6-4-8 dimensions shown in ft-in-sixteenths (Drawings not to scale)



JOINTS ARE GENERALLY NUMBERED/LETTERED CLOCKWISE AROUND THE TRUSS STARTING AT THE JOINT FARTHEST TO THE LEFT.

CHORDS AND WEBS ARE IDENTIFIED BY END JOINT NUMBERS/LETTERS.

PRODUCT CODE APPROVALS

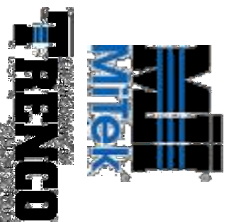
ICC-ES Reports:

ESR-1311, ESR-1352, ESR 1988
ER-3907, ESR-2362, ESR-1397, ESR-3282

Trusses are designed for wind loads in the plane of the truss unless otherwise shown.

Lumber design values are in accordance with ANSI/TPP 1 section 6.3 These truss designs rely on lumber values established by others.

© 2012 MITek® All Rights Reserved



MITek Engineering Reference Sheet: Mill-7473 rev. 5/19/2020

General Safety Notes

Failure to Follow Could Cause Property Damage or Personal Injury

1. Additional stability bracing for truss system, e.g. diagonal or X-bracing, is always required. See BCSI.
2. Truss bracing must be designed by an engineer. For wide truss spacing, individual lateral braces themselves may require bracing, or alternative Tor I bracing should be considered.
3. Never exceed the design loading shown and never stack materials on inadequately braced trusses.
4. Provide copies of this truss design to the building designer, erection supervisor, property owner and all other interested parties.
5. Cut members to bear tightly against each other.
6. Place plates on each face of truss at each joint and embed fully. Knots and wane at joint locations are regulated by ANSI/TPP 1.
7. Design assumes trusses will be suitably protected from the environment in accord with ANSI/TPP 1.
8. Unless otherwise noted, moisture content of lumber shall not exceed 19% at time of fabrication.
9. Unless expressly noted, this design is not applicable for use with fire retardant, preservative treated, or green lumber.
10. Camber is a non-structural consideration and is the responsibility of truss fabricator. General practice is to camber for dead load deflection.
11. Plate type, size, orientation and location dimensions indicated are minimum plating requirements.
12. Lumber used shall be of the species and size, and in all respects, equal to or better than that specified.
13. Top chords must be sheathed or purlins provided at spacing indicated on design.
14. Bottom chords require lateral bracing at 10 ft. spacing, or less, if no ceiling is installed, unless otherwise noted.
15. Connections not shown are the responsibility of others.
16. Do not cut or alter truss member or plate without prior approval of an engineer.
17. Install and lead vertically unless indicated otherwise.
18. Use of green or treated lumber may pose unacceptable environmental, health or performance risks. Consult with project engineer before use.
19. Review all portions of this design (front, back, words and pictures) before use. Reviewing pictures alone is not sufficient.
20. Design assumes manufacture in accordance with ANSI/TPP 1 Quality Criteria.
21. The design does not take into account any dynamic or other loads other than those expressly stated.