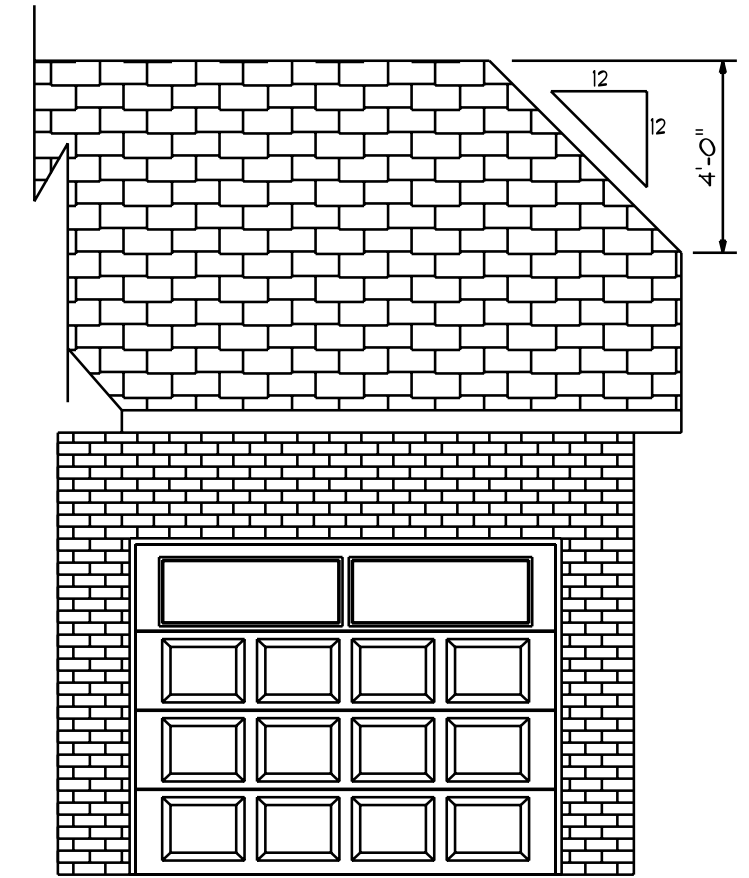




Optional Wrap-Around  
Porch

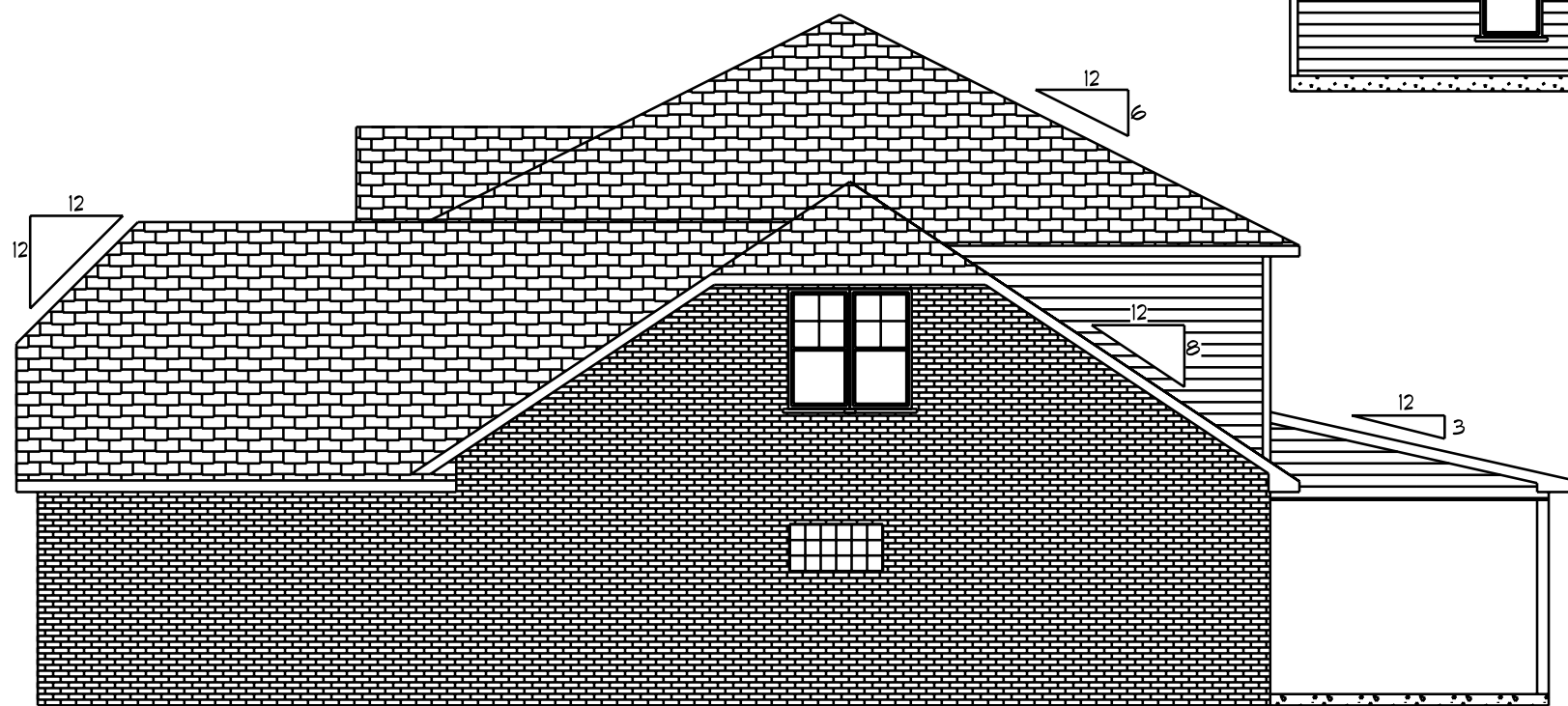
Front Elevation  
Scale: 1/4" = 1'0"



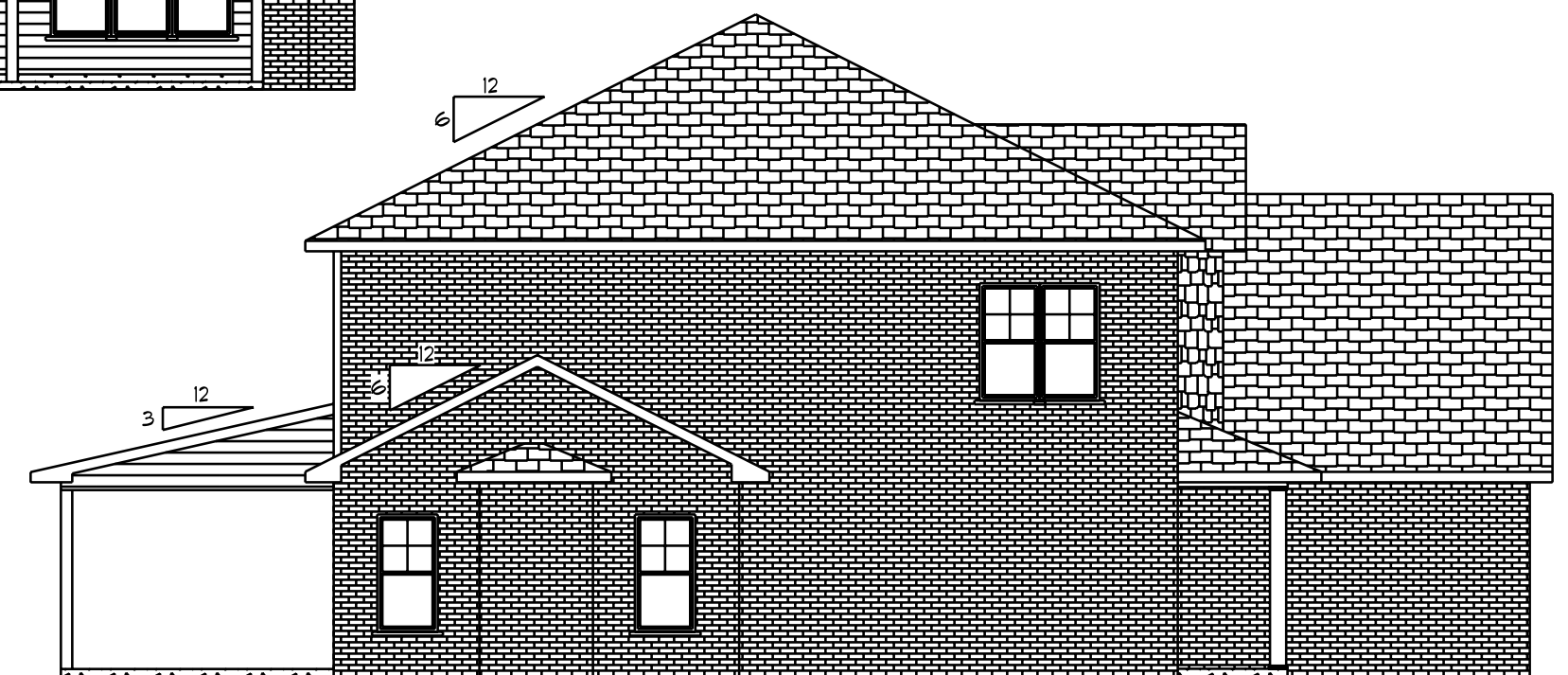
Optional Garage



Rear Elevation  
Scale: 1/8" = 1'0"



Right Elevation  
Scale: 1/8" = 1'0"



Left Elevation  
Scale: 1/8" = 1'0"

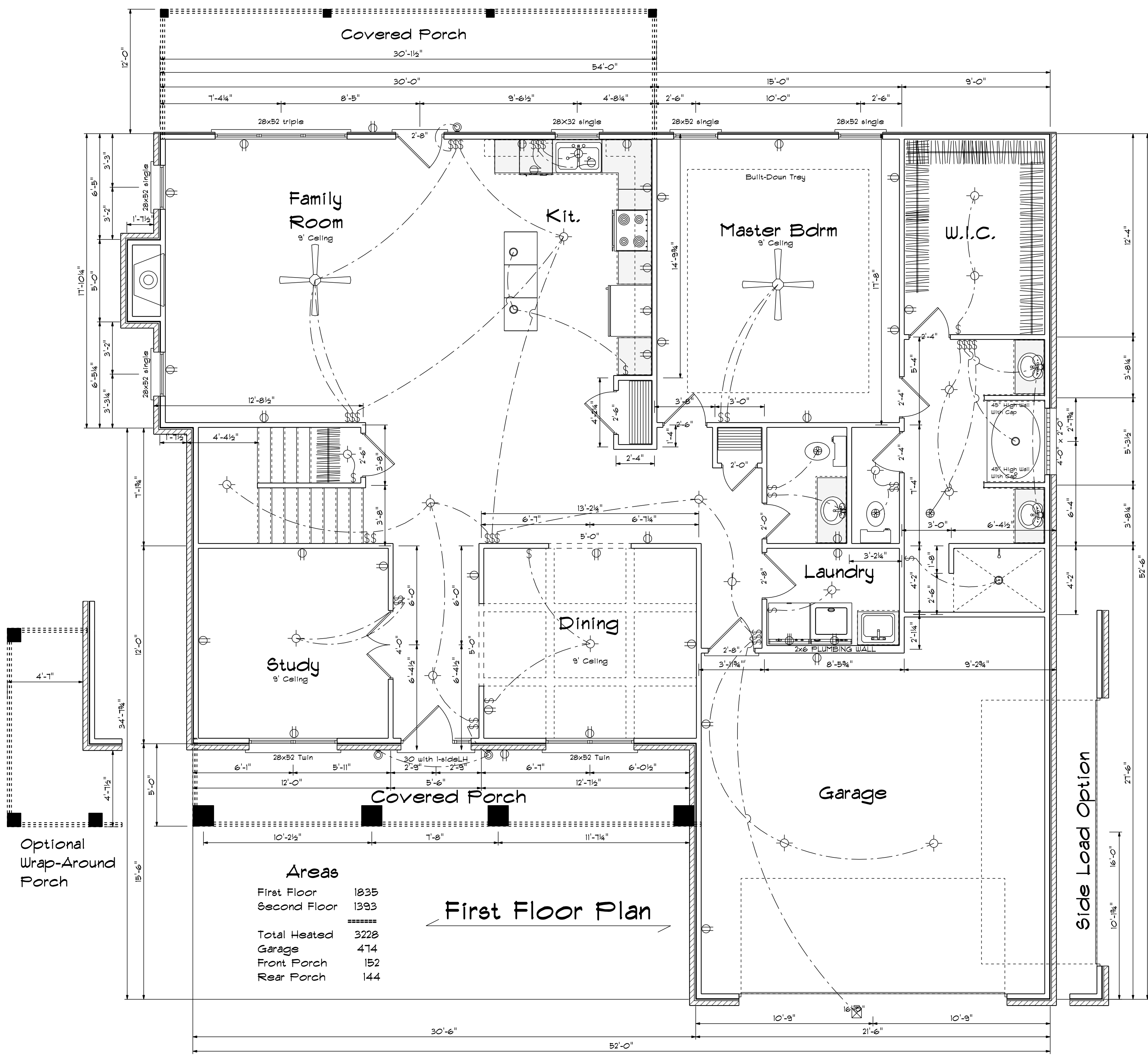
The Jones Plan

SCALE: 1/4"  
DRAWN BY  
APPROVED

Elev B

DATE: Wednesday, June 3, 2020  
REVISED  
DRAWING#

Basco Designs  
2727 Chimney Pt.  
Linden N.C. 28356  
910-864-9310

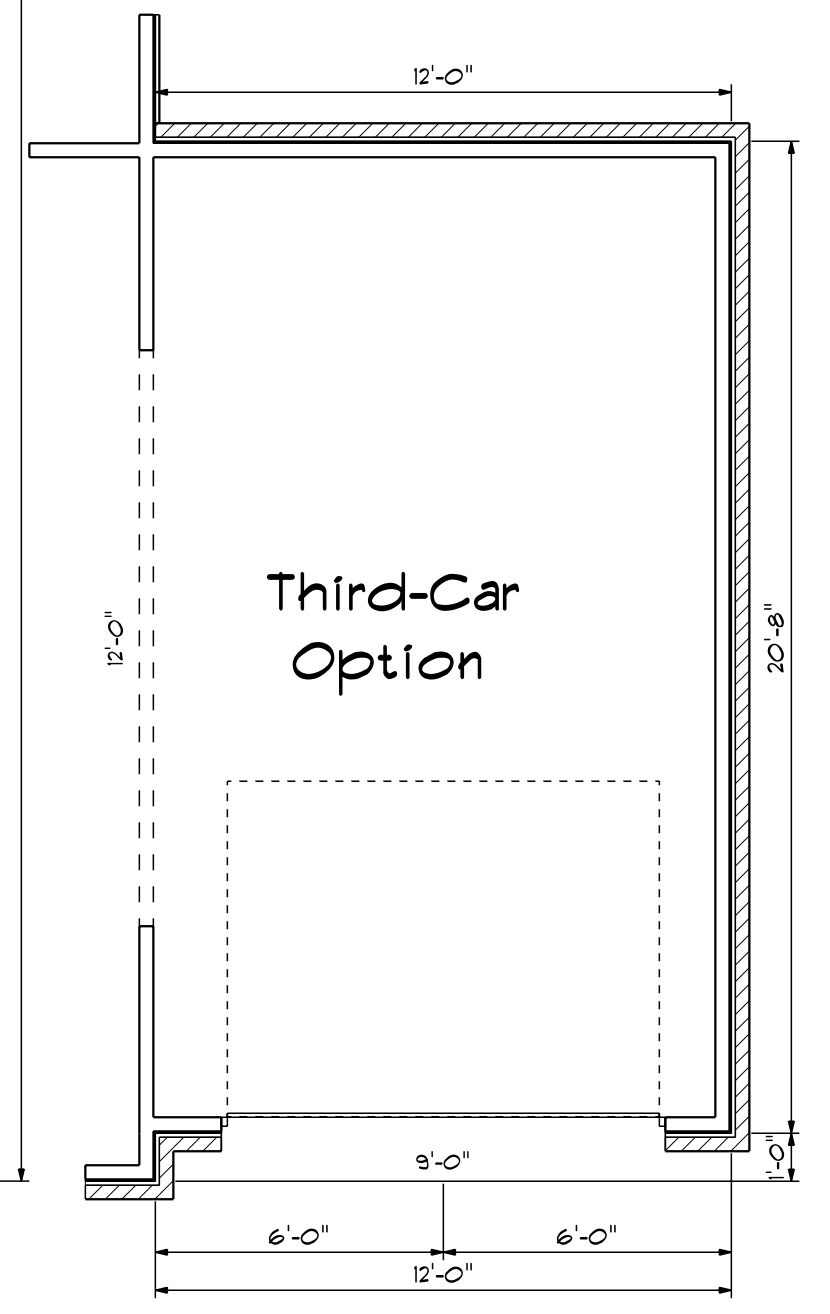
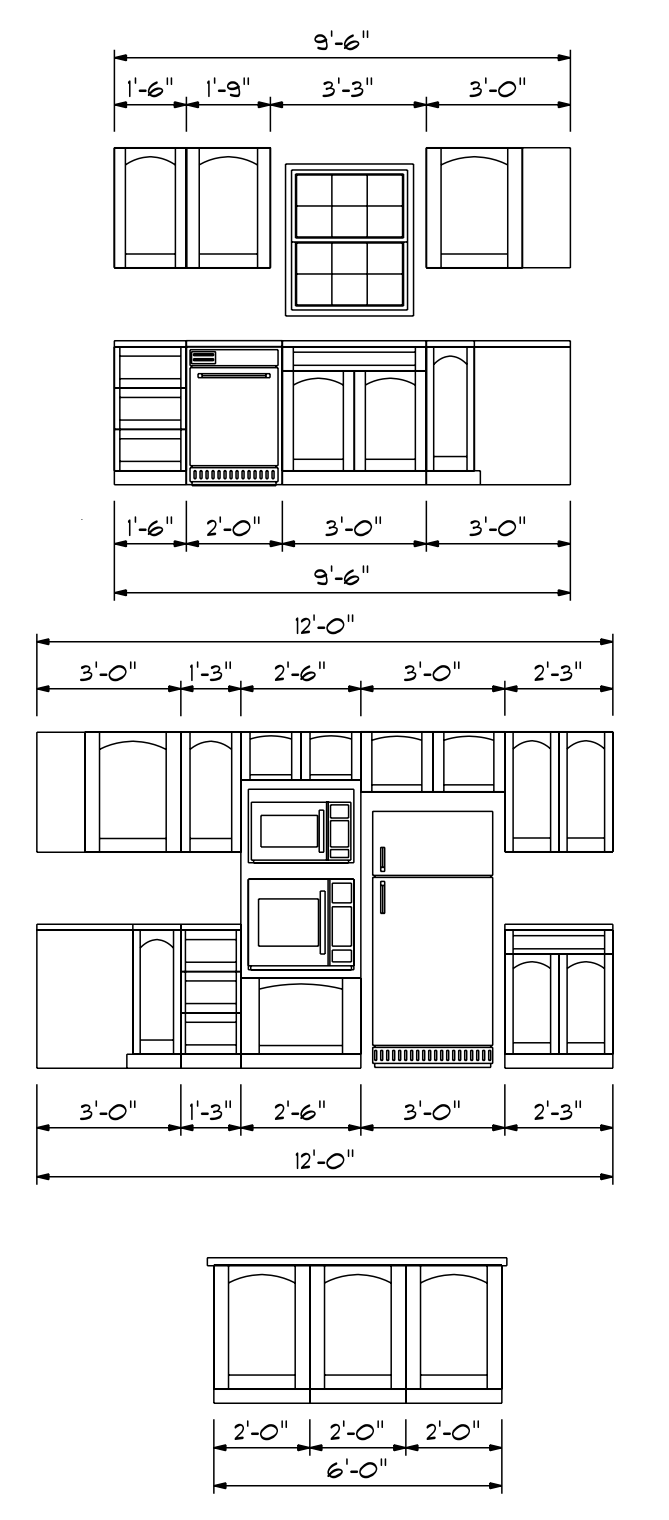


**Areas**

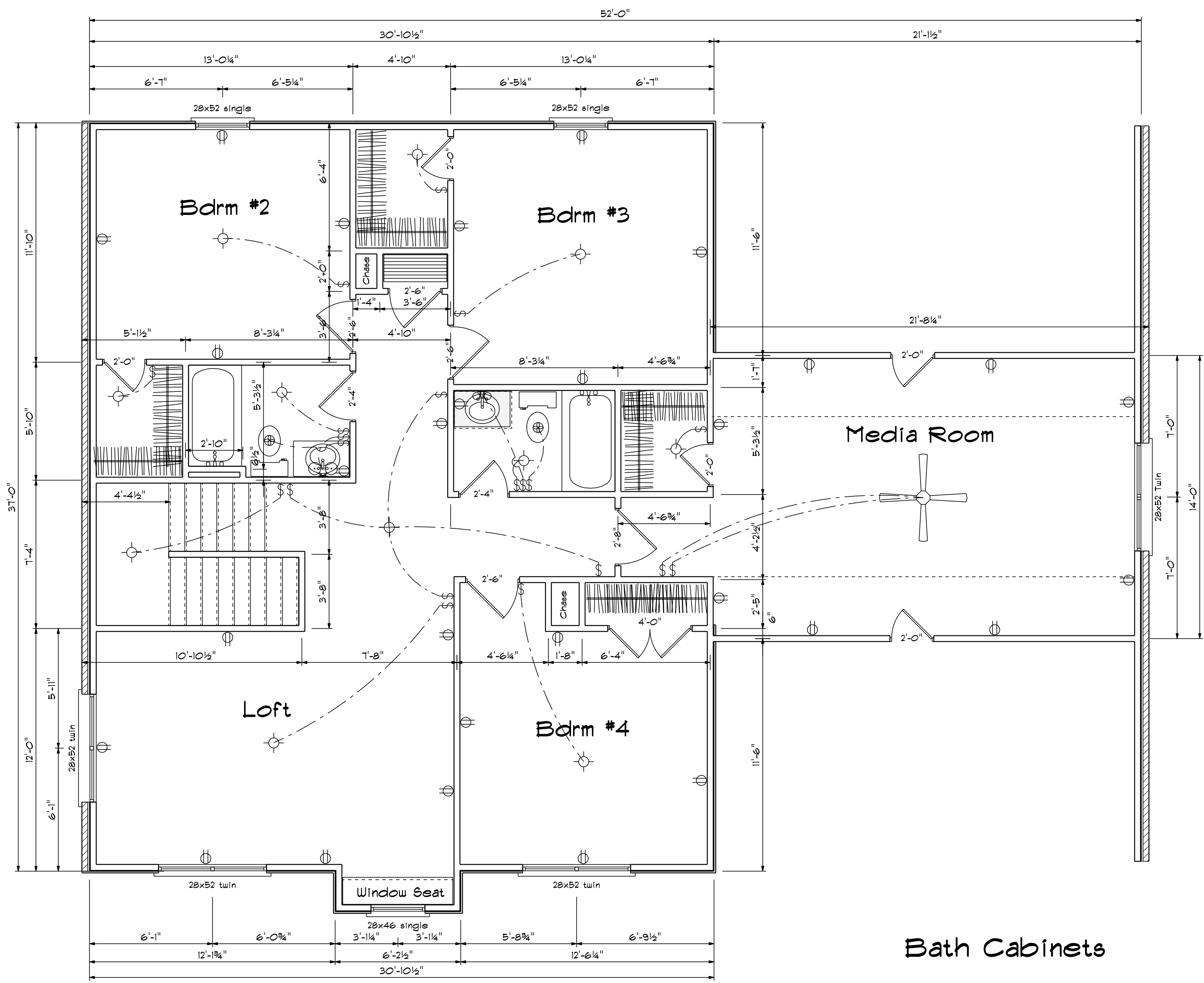
First Floor	1835
Second Floor	1393
<b>Total Heated</b>	<b>3228</b>
Garage	474
Front Porch	152
Rear Porch	144

**First Floor Plan**

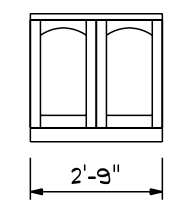
**Kitchen Cabinets**



Side Load Option



Second Floor Plan



2nd Floor Opening Schedule

PRODUCT CODE	SIZE	HINGE DIRECTION	COUNT	R.O. WIDTH
40 doublehung colonial	4'-0"	LR	1	4'-2"
2-0 Door Unit LH	2'-0"	L	1	2'-2"
2-0 Door Unit RH	2'-0"	R	3	2'-2"
2-4 Door Unit LH	2'-4"	L	1	2'-6"
2-4 Door Unit RH	2'-4"	R	1	2'-6"
2-6 Door Unit LH	2'-6"	L	2	2'-8"
2-6 Door Unit RH	2'-6"	R	2	2'-8"
2-8 Door Unit LH	2'-8"	L	1	2'-10"
28x46 single	2'-8" x 4'-6"	N	1	2'-8"
28x52 single	2'-8" x 5'-2"	N	2	2'-8"
28x52 twin	5'-4" x 5'-2"	NN	3	5'-4"
2-0 Door Unit	2'-0"	L	1	2'-2"

1st Floor Opening Schedule

PRODUCT CODE	SIZE	HINGE DIRECTION	COUNT	R.O. WIDTH
28 Cased Opening	2'-8"	N	1	2'-8"
60 Cased Opening	6'-0"	N	1	6'-0"
30 with l-side LH	4'-3"	NA	1	4'-3"
32X80 FRENCH A 1	2'-8"	R	1	2'-11"
192X84 - 1 PANEL	16'-0"	U	1	16'-3"
2-8 Exterior Door Unit	2'-8"	L	1	2'-10"
40 doublehung	4'-0"	LR	1	4'-2"
2-0 Door Unit LH	2'-0"	L	2	2'-2"
2-0 Door Unit RH	2'-0"	R	2	2'-2"
2-4 Door Unit LH	2'-4"	L	2	2'-6"
2-6 Door Unit LH	2'-6"	L	2	2'-8"
2-8 Door Unit LH	2'-8"	L	1	2'-10"
28X32 single	2'-8" x 3'-2"	N	1	2'-8"
28x52 single	2'-8" x 5'-2"	N	2	2'-8"
28x52 Twin	5'-4" x 5'-2"	NA	3	5'-4"
28x52 single	2'-8" x 5'-2"	N	3	2'-8"
8X8 GLASS BLOCK	4'-0" x 4'-0"	N	1	4'-0 1/2"

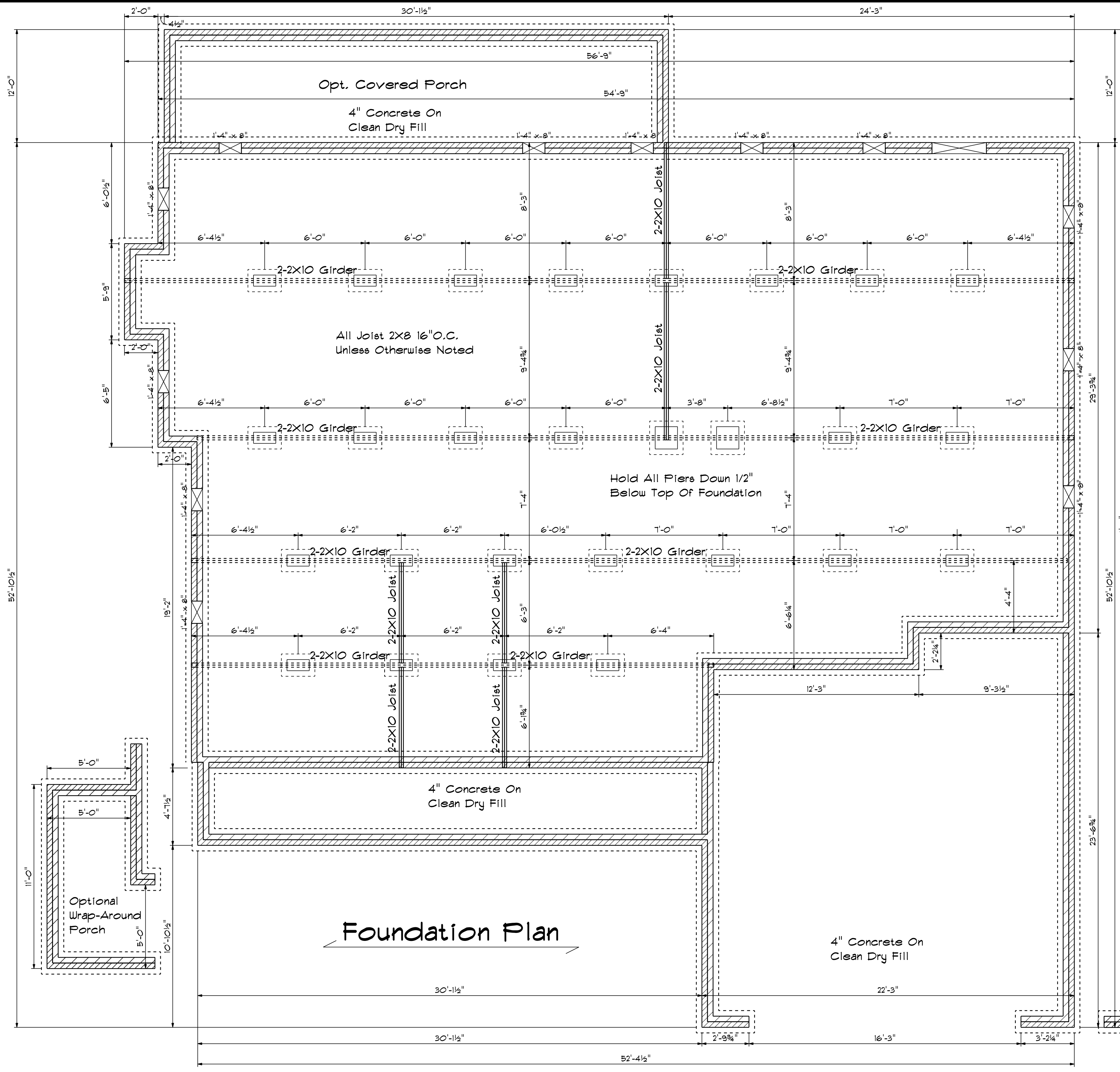
Bath Cabinets

Baso Designs  
2121 Chimney Pt.  
Linden N.C. 28356  
910-864-9310

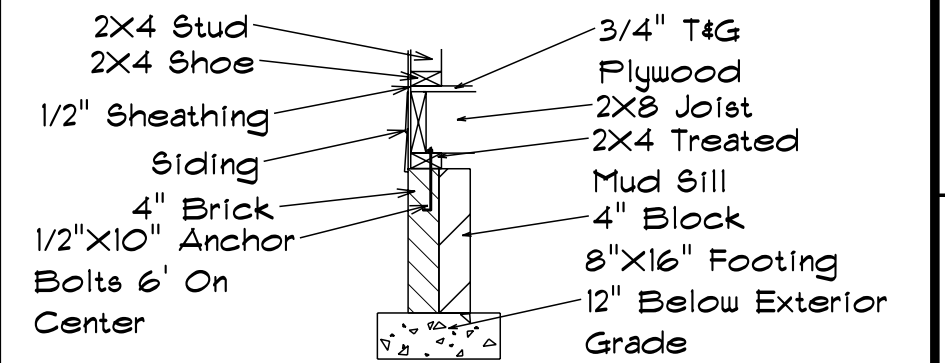
DATE: Wednesday, June 3, 2020  
REVISED  
DRAWING#

SCALE: 1/4"  
DRAWN BY  
APPROVED

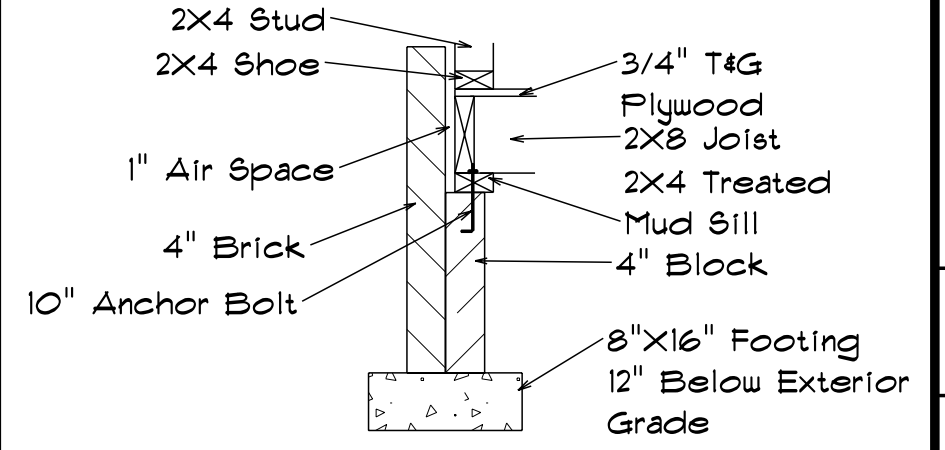
The Jones Plan



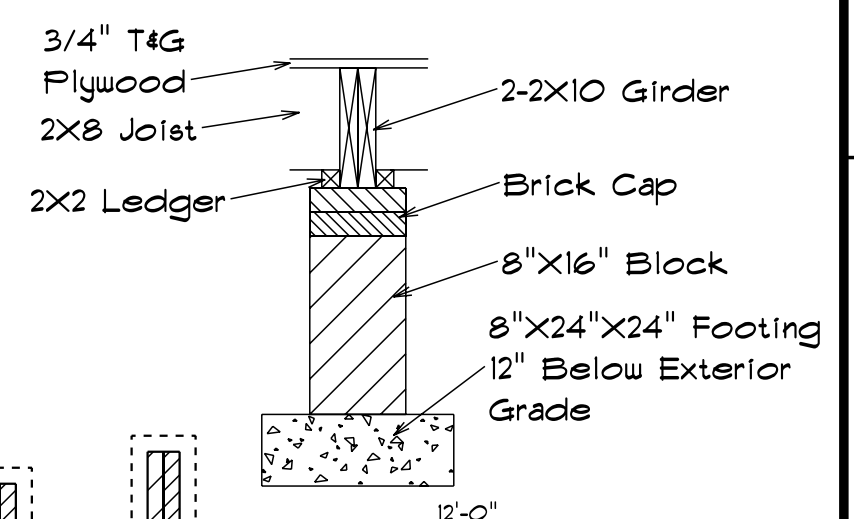
### Foundation Detail Siding



### Foundation Detail



### Footing & Pier Detail



Side Load Option

Lug Footing

Third-Car Option

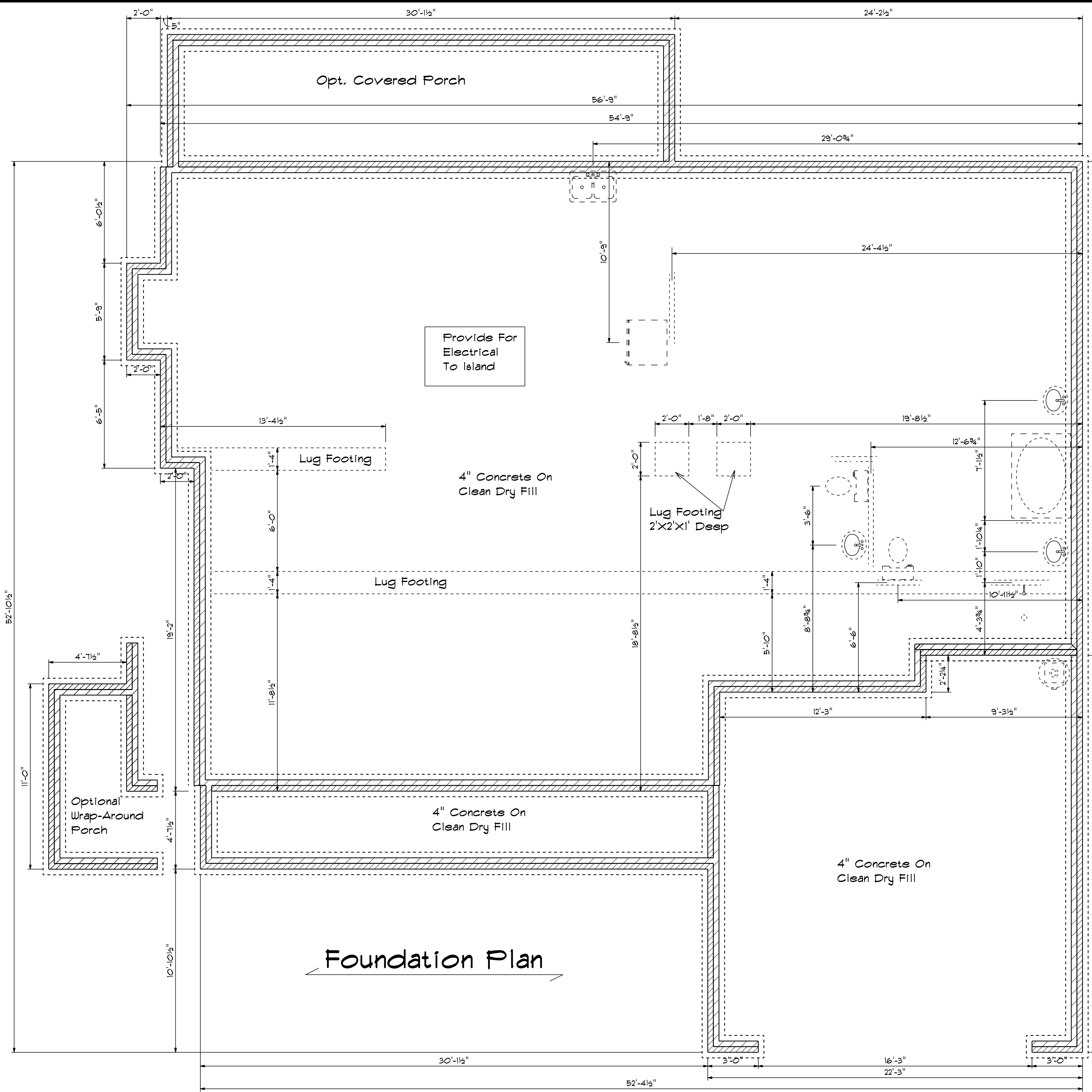
Foundation Plan

Base Designs  
2121 Chimney Pt.  
Linden N.C. 28356  
910-864-9310

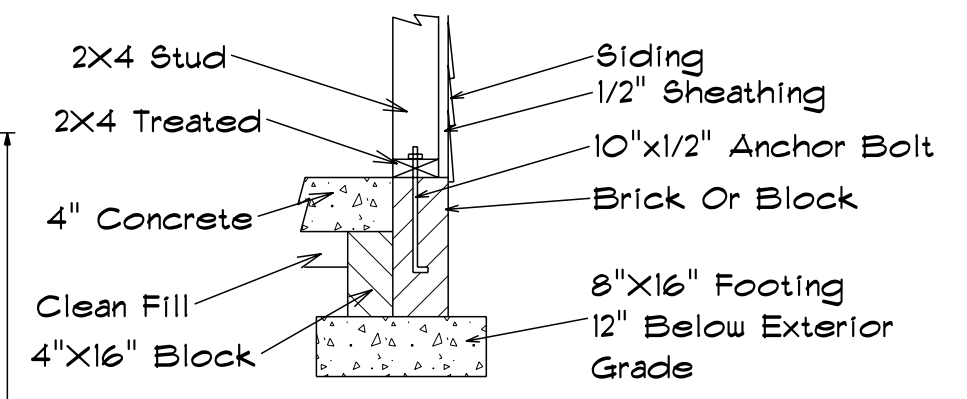
DATE: Wednesday, June 3, 2020  
REVISED  
DRAWING#

SCALE: 1/4"  
DRAWN BY  
APPROVED

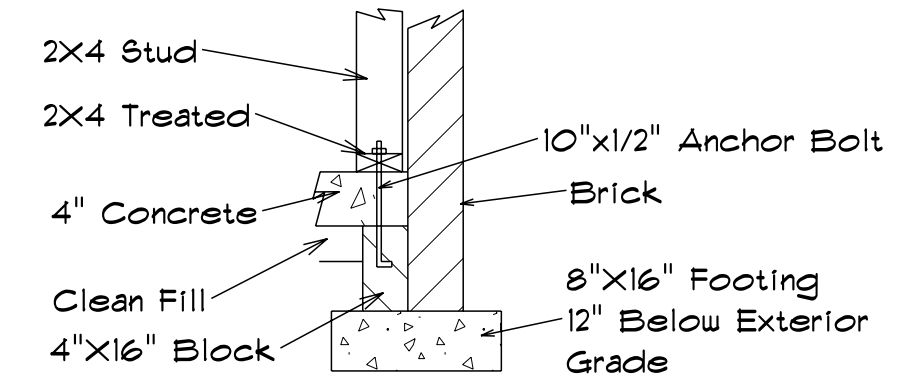
The Jones Plan



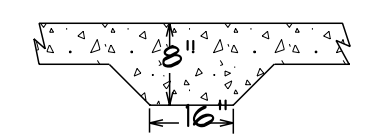
### Foundation Detail Siding



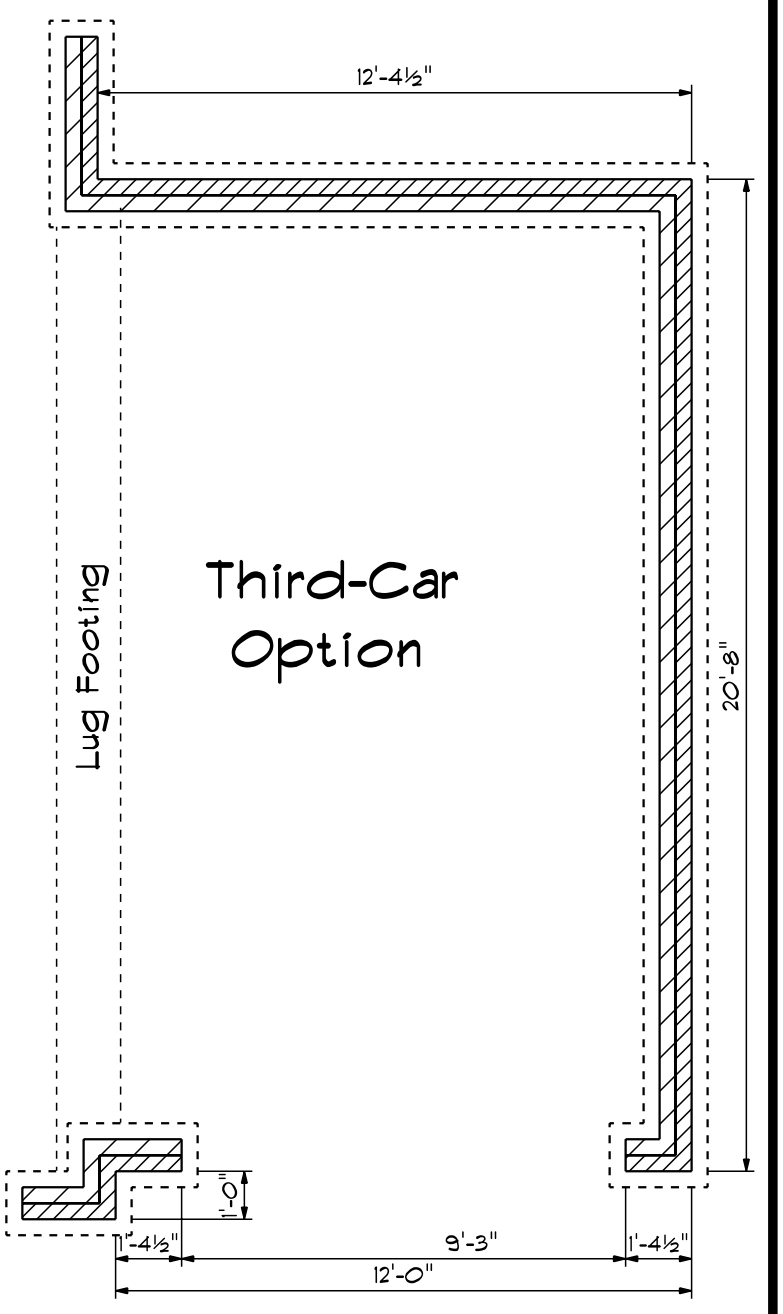
### Foundation Detail Brick



### Lug Footing Detail



Side Load Option  
16'-3"  
2'-5"



Base Designs  
2121 Chimney Pt.  
Linden N.C. 28356  
910-864-9310

DATE: Wednesday, June 3, 2020  
REVISED  
DRAWING#

SCALE: 1/4"  
DRAWN BY  
APPROVED

# The Jones Plan