

**NOTICE TO CONTRACTOR**  
All construction must comply with current NC Building Codes and is subject to field inspection and verification.

**APPROVED**  
Limited building only review.  
Permit holder responsible for full compliance with the code.

10/21/2021



Sheet List (Elevation A)	
Sheet Number	Sheet Name
A-Pg1	Front & Rear Elevations
A-Pg2	Side Elevations
A-Pg3	1st Floor Plan
A-Pg4	Roof Plan
Pg5	Sections
Pg6	Details
Structural Pages	by Engineer



① Front - Elev A  
1/8" = 1'-0"



② Rear - Elev A  
1/8" = 1'-0"

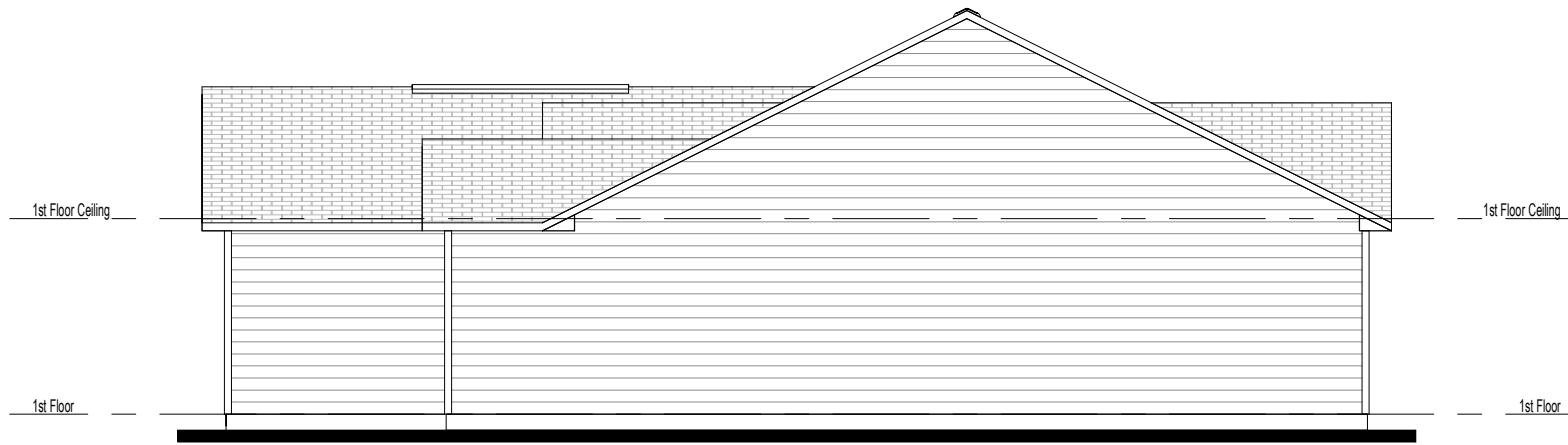
Area Schedule (Elevation A)	
Name	Area
<b>Heated</b>	
1st Floor	2100 SF
	2100 SF
<b>Unheated</b>	
Front Porch	25 SF
Garage	417 SF
	442 SF
Under Roof	2542 SF



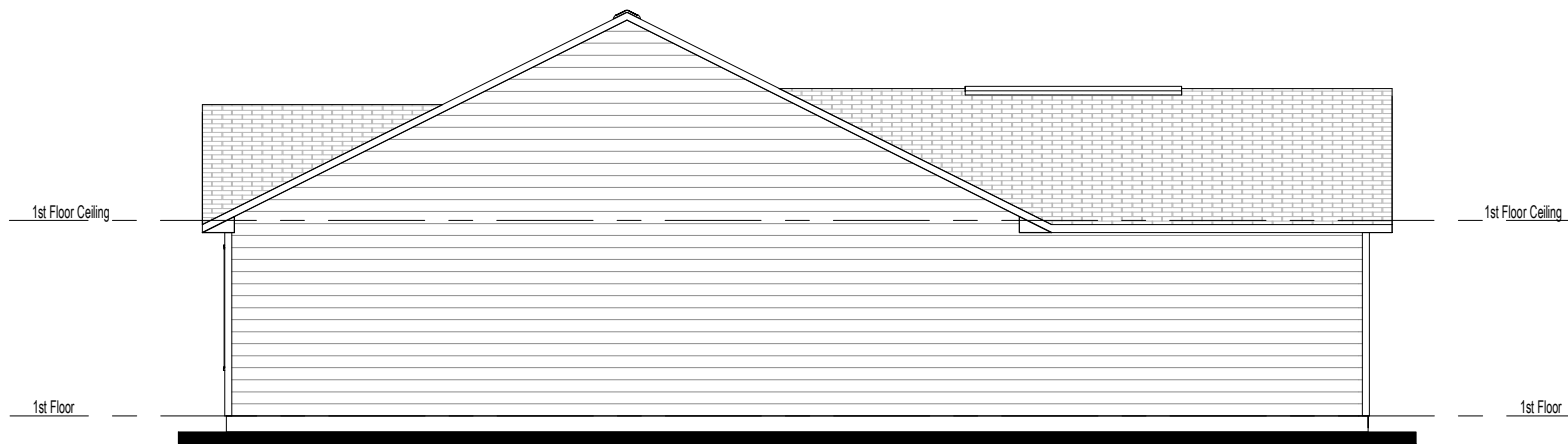
PAMLICO - Elevation A  
Front & Rear Elevations

Job #: 22-52-09  
Address: 744 Mt. Olive Church Rd.  
Lillington, NC 27546  
County: Harnett County

Plan Version Date: 2-2-21  
Job Version Date: 9-28-21  
Sheet #: A-Pg1

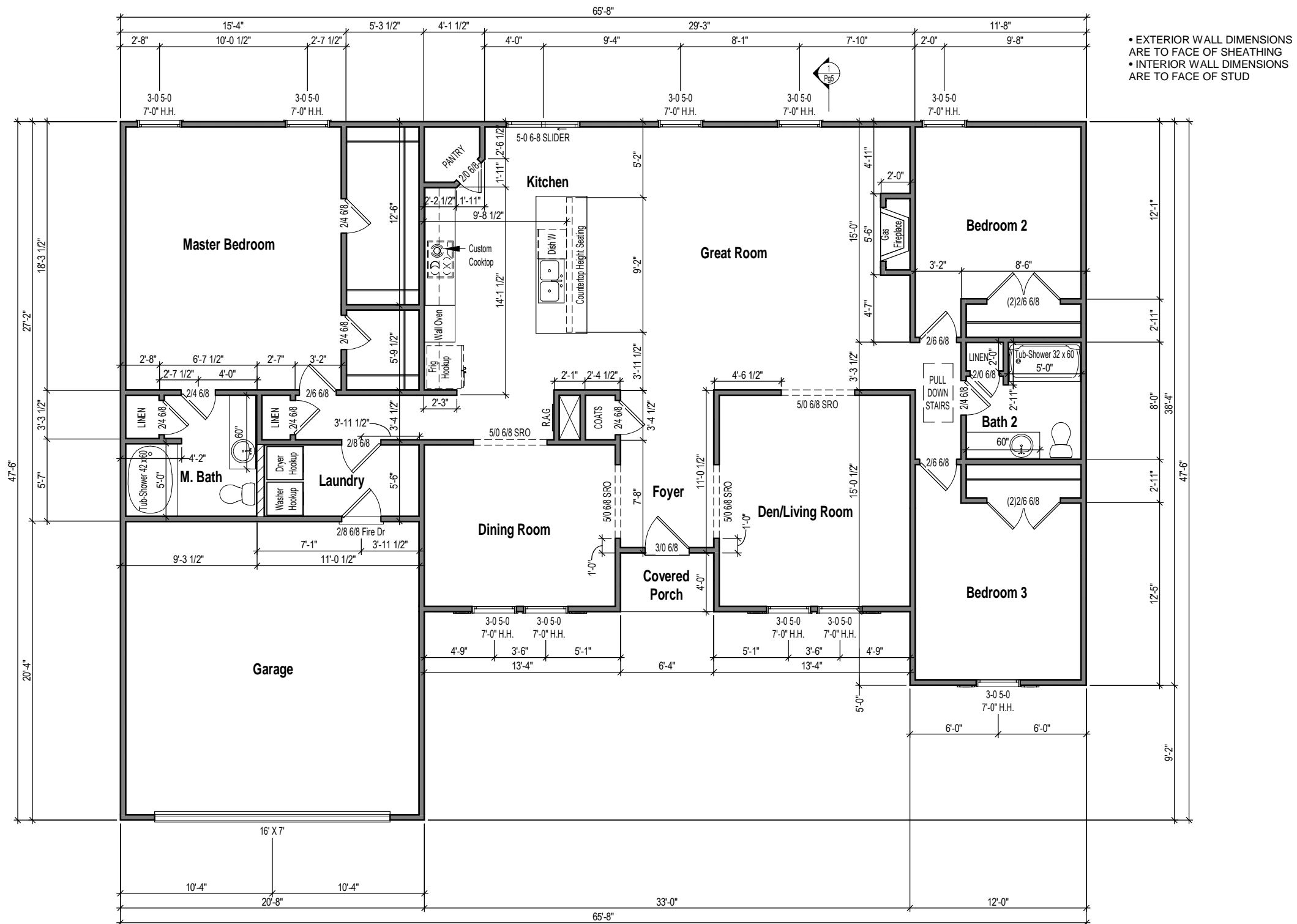


① Right - Elev A  
1/8" = 1'-0"



② Left - Elev A  
1/8" = 1'-0"

Wall Stud Size  
 — = 2x4  
 // = 2x6



1 1st Floor Plan - Elev A  
 1/8" = 1'-0"

PAMLICO - Elevation A

1st Floor Plan



3015 Jefferson Davis Hwy, Sanford, NC 27332

Job #: 22-52-09

Address: 744 Mt. Olive Church Rd.  
 Lillington, NC 27546

County: Harnett County

Plan Version Date:  
 2-2-21

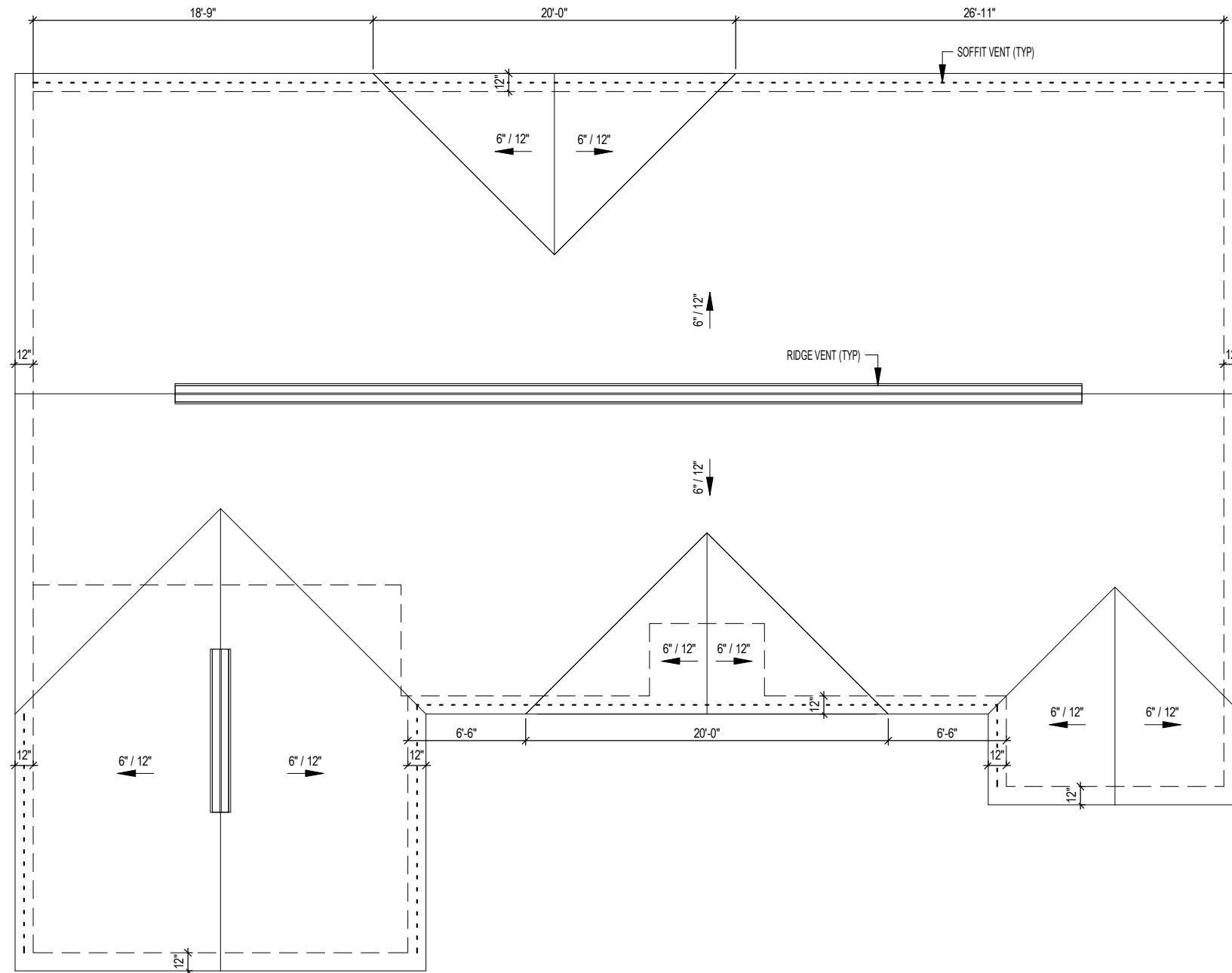
Job Version Date:  
 9-28-21

Sheet #:  
 A-Pg3

### Attic Ventilation Calcs 1/300 (sq.in.)

Name	Area	Ventilation Required (sq.in.)	Max Upper (sq.in.)	Min Upper (sq.in.)	Upper Ventilation (sq.in.)	Lower Ventilation (sq.in.)	Total Ventilation (sq.in.)	Ridge Vent (in.ft.)	Roof Vents (ea)	Soffit Vents (sq.ft.)
Main Roof	2121 SF	1018	815	509	750	636	1386	50	0	106
Garage Roof	420 SF	202	161	101	135	162	297	9	0	27

- CALCS BASED ON THE FOLLOWING VALUES**
- Ridge Vents = 15 in<sup>2</sup> of net free area per linear foot
  - Roof Vents = 50 in<sup>2</sup> of net free area per unit
  - Soffit Vents = 6 in<sup>2</sup> of net free area per square foot



1 Roof Plan - Elev A  
1/8" = 1'-0"



3015 Jefferson Davis Hwy, Sanford, NC 27332

PAMLICO - Elevation A

Roof Plan

Job #: 22-52-09

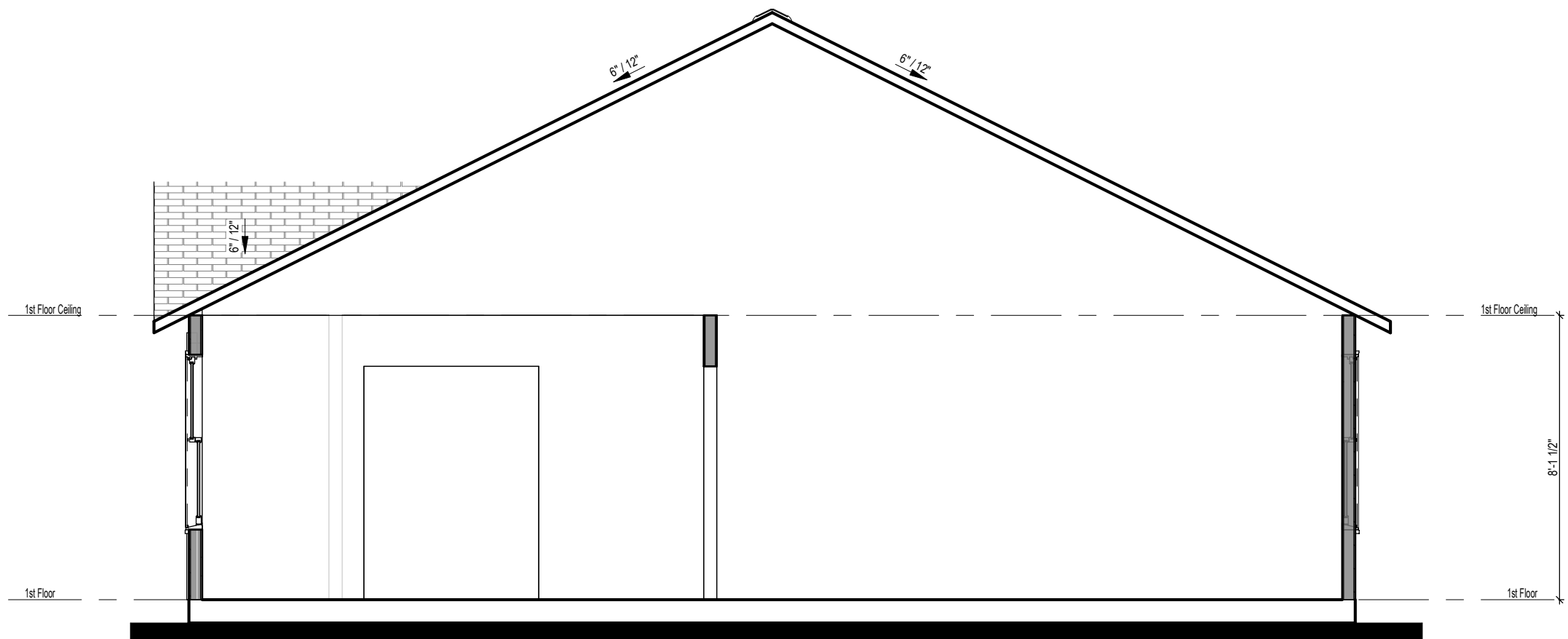
Address: 744 Mt. Olive Church Rd.  
Lillington, NC 27546

County: Harnett County

Plan Version Date:  
2-2-21

Job Version Date:  
9-28-21

Sheet #:  
A-Pg4



① Building Section  
 1/4" = 1'-0"

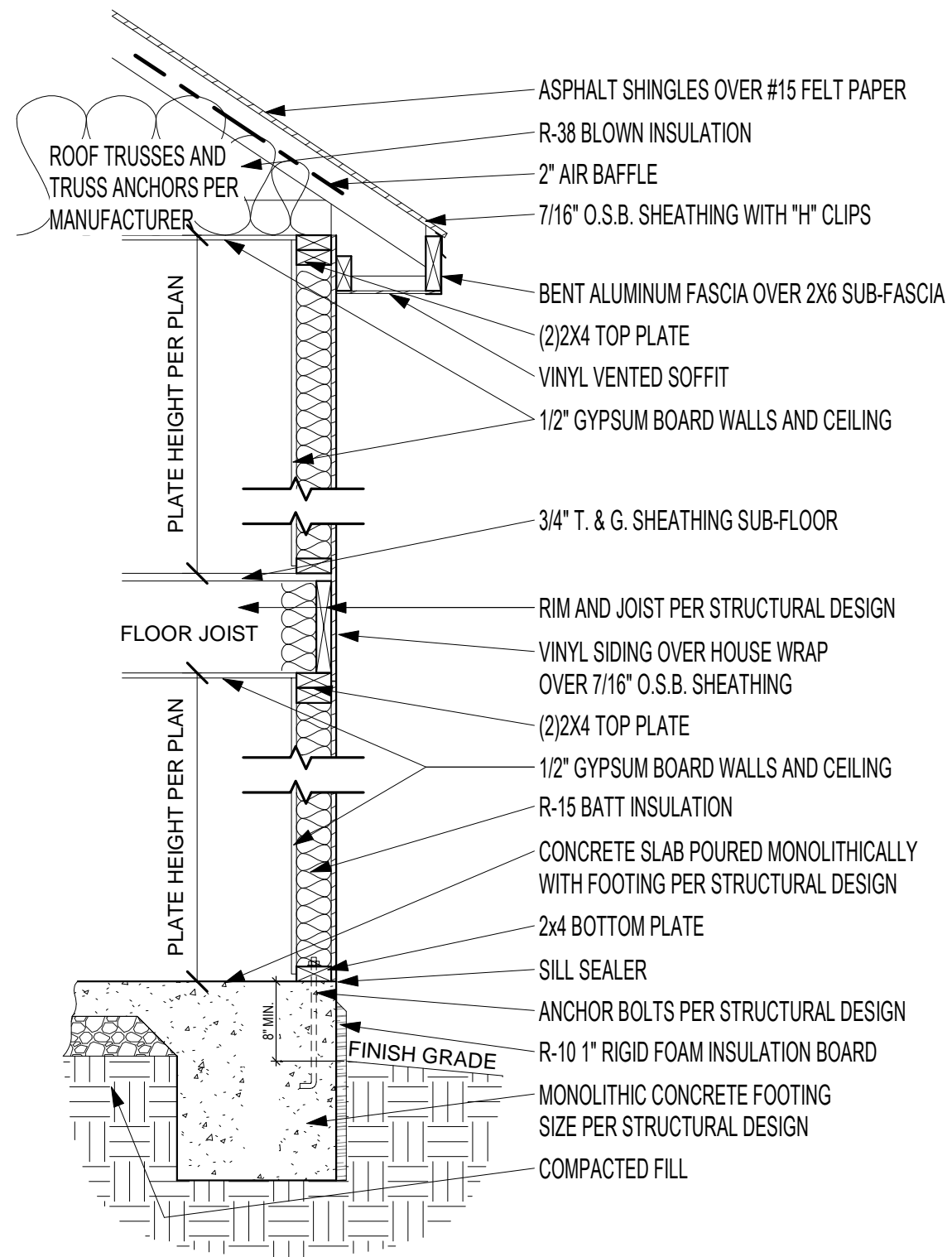
PAMLICO - Elevation A

Sections

Job #: 22-52-09  
 Address: 744 Mt. Olive Church Rd.  
 Lillington, NC 27546  
 County: Harnett County

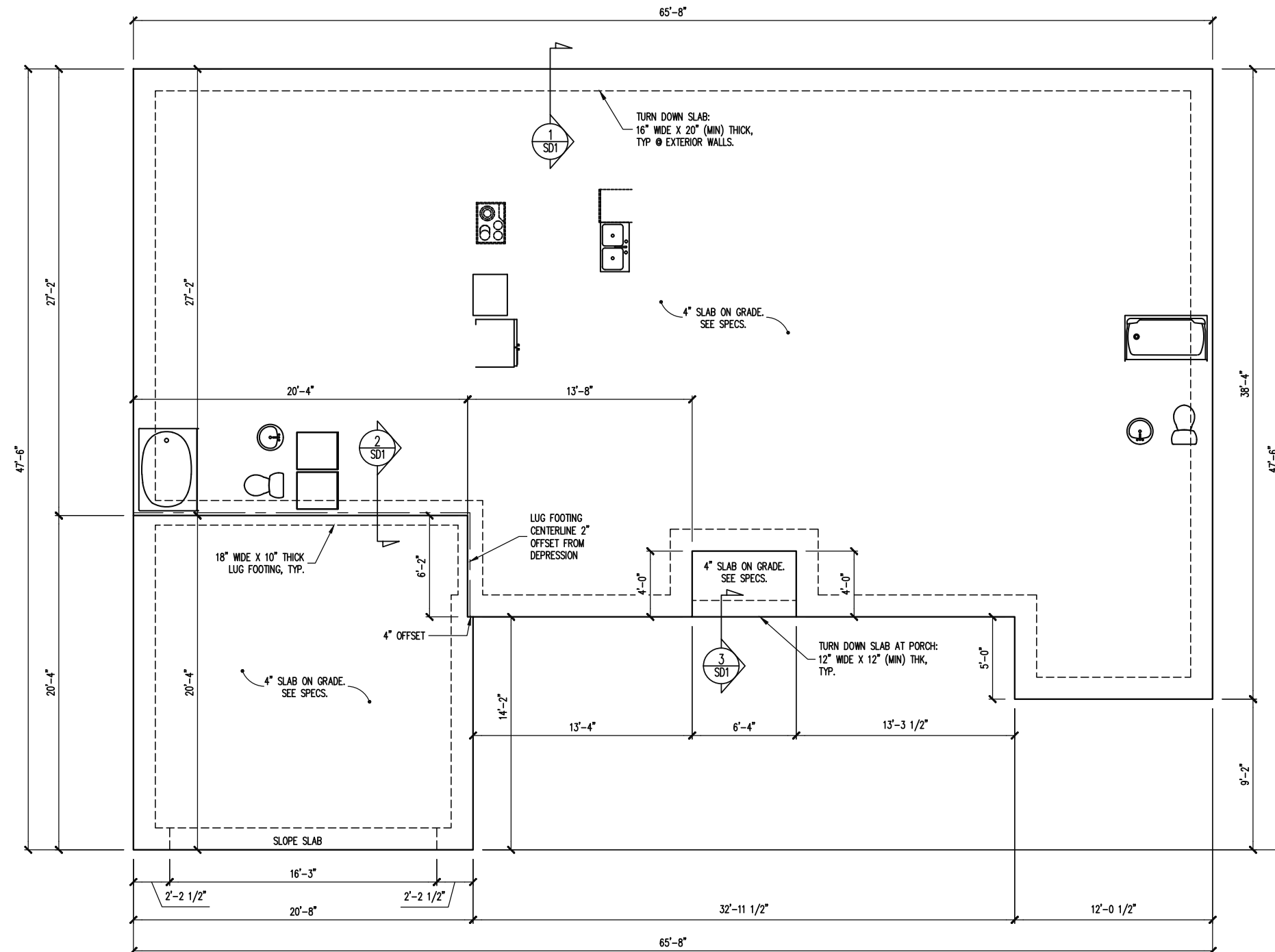
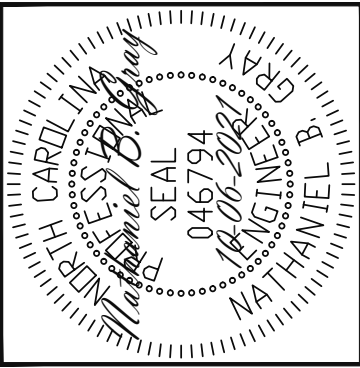
Plan Version Date:  
 2-2-21

Job Version Date:  
 9-28-21



1 Typical Wall Section - Slab Fnd  
 3/4" = 1'-0"

The structural design of this plan is the property of Engineering Tech Associates, P.A. These plans are for the one time use at the location and for the client listed. Engineering Tech Associates, P.A. assumes no liability for these plans if they are reproduced, in whole or in part, for construction at any other location without written permission from Engineering Tech Associates, P.A.



NOTES:  
 -HEIGHT AND BACKFILL LIMITATIONS FOR FOUNDATION WALLS ARE TO BE GOVERNED BY THE NCSBC, LATEST EDITION. REINFORCEMENT AND GROUTING SHALL BE DETERMINED BY FINAL SITE CONDITIONS.  
 -PLUMBING SHOWN FOR REFERENCE ONLY. BUILDER VERIFY FINAL FIXTURE LOCATIONS, SIZES AND REQUIREMENTS PRIOR TO INSTALLATION.

FOUNDATION PLAN

1/8" = 1'-0"

**Engineering Tech**  
 ASSOCIATES, P.A.  
 STRUCTURAL ENGINEERS  
 License No. C-3870  
 183 Wind Chime Ct, Ste 100  
 Raleigh, North Carolina 27615  
 Phone (919) 844-1661

VALUE BUILD HOMES  
 STRUCTURAL ADDENDUM  
 SCOPE  
 LOC: 744 MT. OLIVE CHURD RD  
 LILLINGTON, NC  
 JOB# 22-52-09 KELLY

ENG: NBG/EAF  
 DATE: 10-06-2021

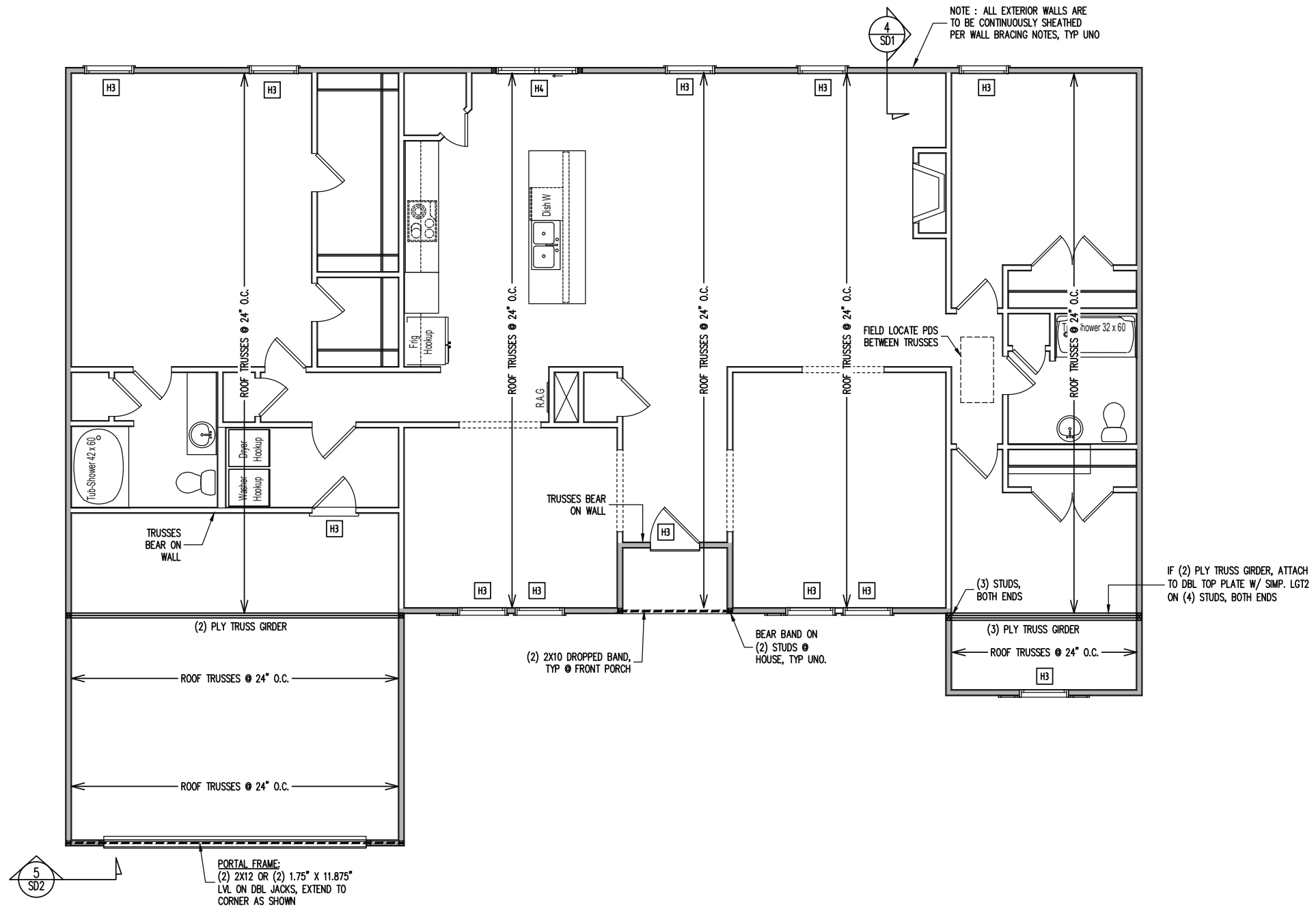
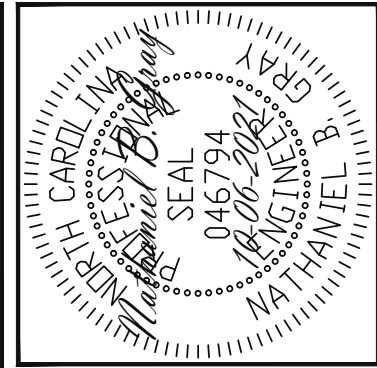
PLAN  
 PAMLICO A

PROJECT NO.  
 21-26-152

SHEET NO.  
 S1

1 of 6

The structural design of this plan is the property of Engineering Tech Associates, P.A. These plans are for the one time use at the location and for the client listed. Engineering Tech Associates, P.A. assumes no liability for these plans if they are reproduced, in whole or in part, for construction at any other location without written permission from Engineering Tech Associates, P.A.



**CONSTRUCTION SPECIFICATIONS**  
**INSTANT REFERENCES**

REFER TO THE CONSTRUCTION SPECIFICATIONS SECTIONS FOR THE FOLLOWING INFORMATION:

PART 1.01: CURRENT GOVERNING CODE  
 PART 14: STUD SUPPORT FOR BEAMS  
 PART 17: KING STUDS FOR EXTERIOR WALLS

SEE DETAIL / CONSTRUCTION SPECIFICATIONS SHEETS FOR I-JOISTS ALLOWABLE SUBSTITUTIONS

---

**WALL BRACING**

SHADED WALLS:

ALL EXTERIOR STUD WALLS, EXTERIOR SIDE, ARE TO BE CONTINUOUSLY SHEATHED WITH 7/16 APA RATED OSB NAILED TO STUDS WITH 8d NAILS @ 6" O.C. AT PANEL EDGES, 12" O.C. IN PANEL FIELD.

NOTES:  
 PROVIDED CONTINUOUS SHEATHING = 242' MIN.

REFERENCE PART 16.02 OF CONSTRUCTION SPECIFICATIONS FOR GENERAL WIND BRACING INFORMATION.

---

**HEADER SCHEDULE**

H1 SINGLE 2X4 TURNED FLAT (A)  
 H2 (2) 2X4'S ON SINGLE JACKS (B)  
 H3 (2) 2X8'S ON SINGLE JACKS (C)  
 H4 (2) 1.75" X 9.25" LVL'S ON DBL JACKS  
 H5 CONTINUOUS (2) 1.75" X 9.25" LVL, SET TOP FLUSH WITH WALL, ON (6) JACKS EACH END. STRAP DBL TOP PLATE TO WALL

---

(A) TYPICAL FOR INTERIOR NON LOAD BEARING WALLS ONLY, ROUGH OPENING 38" MAX.  
 (B) TYPICAL FOR INTERIOR NON LOAD BEARING WALLS ONLY, ROUGH OPNG 38" TO 74" MAX.  
 (C) TYPICAL FOR ALL CONDITIONS NOT LISTED IN (A) OR (B) UNO.

NOTES:  
 -HEADERS IN NON LOAD BEARING INTERIOR WALLS ARE NOT LABELED.

**Engineering Tech**  
 ASSOCIATES, P.A.  
 STRUCTURAL ENGINEERS  
 License No. C-3870  
 183 Wind Chime Ct, Ste 100  
 Raleigh, North Carolina 27615  
 Phone (919) 844-1661

VALUE BUILD HOMES  
 STRUCTURAL ADDENDUM  
 SCOPE: 744 MT. OLIVE CHURD RD  
 LOC: LILLINGTON, NC  
 JOB# 22-52-09 KELLY

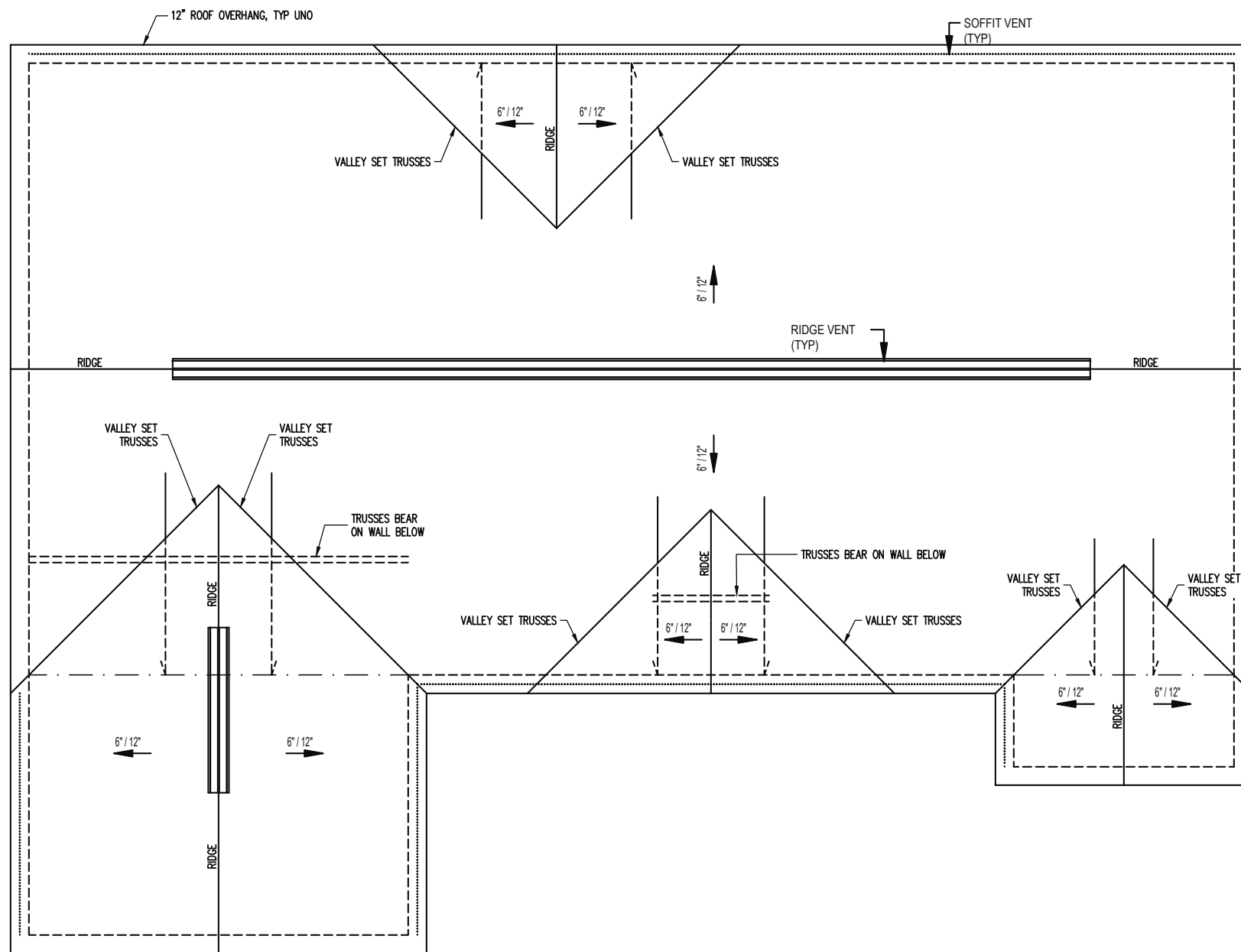
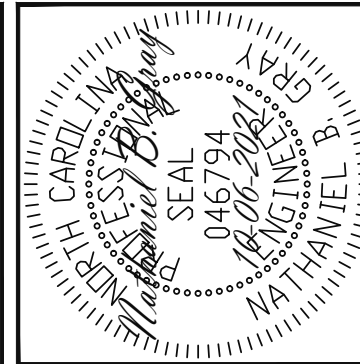
ENG: NBG/EAF  
 DATE: 10-06-2021  
 PLAN: PAMLICO A  
 PROJECT NO.: 21-26-152

SHEET NO.: S2  
 2 of 6

1ST FLOOR FRAMING PLAN  
 WALLS AND CEILING  
 1/8" = 1'-0"



The structural design of this plan is the property of Engineering Tech Associates, P.A. These plans are for the one time use at the location and for the client listed. Engineering Tech Associates, P.A. assumes no liability for these plans if they are reproduced, in whole or in part, for construction at any other location without written permission from Engineering Tech Associates, P.A.



**TRUSS UPLIFT CONNECTORS**  
 EXPOSURE B, 120 MPH, ANY PITCH  
 24\"/>

TRUSSES SHALL BE ATTACHED TO SUPPORT WALL FOR UPLIFT RESISTANCE. CONTINUOUS OSB WALL SHEATHING BELOW PROVIDES CONTINUOUS UPLIFT RESISTANCE TO FOUNDATION. ALL TRUSSES SUPPORTED BY INTERMEDIATE SUPPORT WALLS, KNEEWALLS OR BEAMS SHALL BE ATTACHED TO SUPPORTING MEMBER PER SCHEDULE BELOW.

ROOF SPAN IS MEASURED HORIZONTALLY BETWEEN FURTHEST SUPPORT POINTS.

ROOF SPAN UP TO 18'	CONNECTOR NAILING PER TABLE 602.3(1) NCRBC 2018 EDITION
OVER 18'	(1) SIMPSON H2.5A HURRICANE CLIP TO DBL TOP PLATE OR BEAM

**FRAMING NOTES**  
 ROOF ONLY  
 -ROOF TRUSSES PER MANUFACTURER, TYP U.N.O.  
 -VERIFY ROOF PITCHES, OVERHANG LENGTHS, AND KNEEWALL FRAMING HGTS WITH ARCHITECTURAL DRAWINGS, TYPICAL.

ROOF FRAMING PLAN  
 1/8" = 1'-0"

**Engineering Tech Associates, P.A.**  
 STRUCTURAL ENGINEERS  
 License No. C-3870  
 183 Wind Chime Ct, Ste 100  
 Raleigh, North Carolina 27615  
 Phone (919) 844-1661

VALUE BUILD HOMES  
 STRUCTURAL ADDENDUM

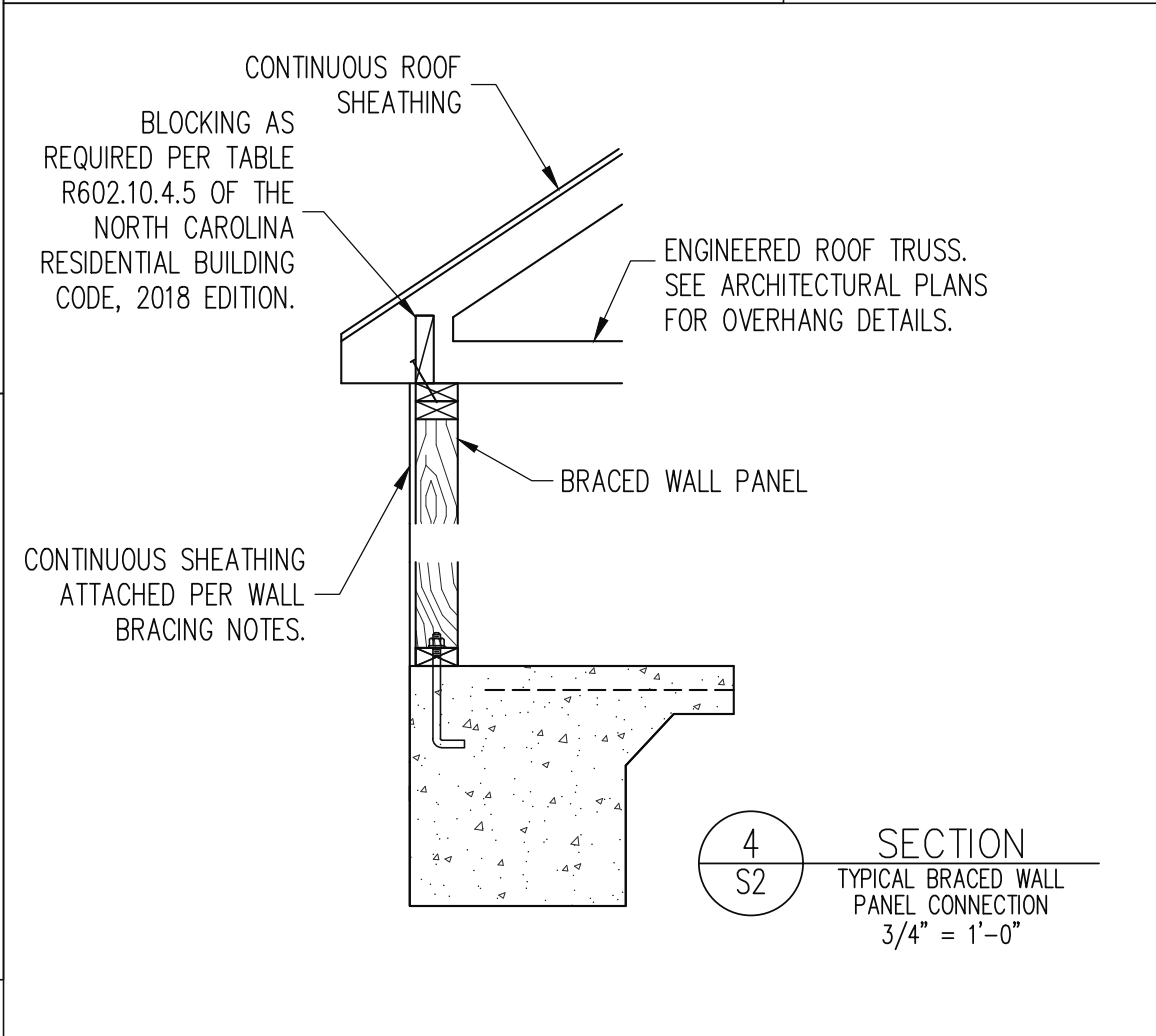
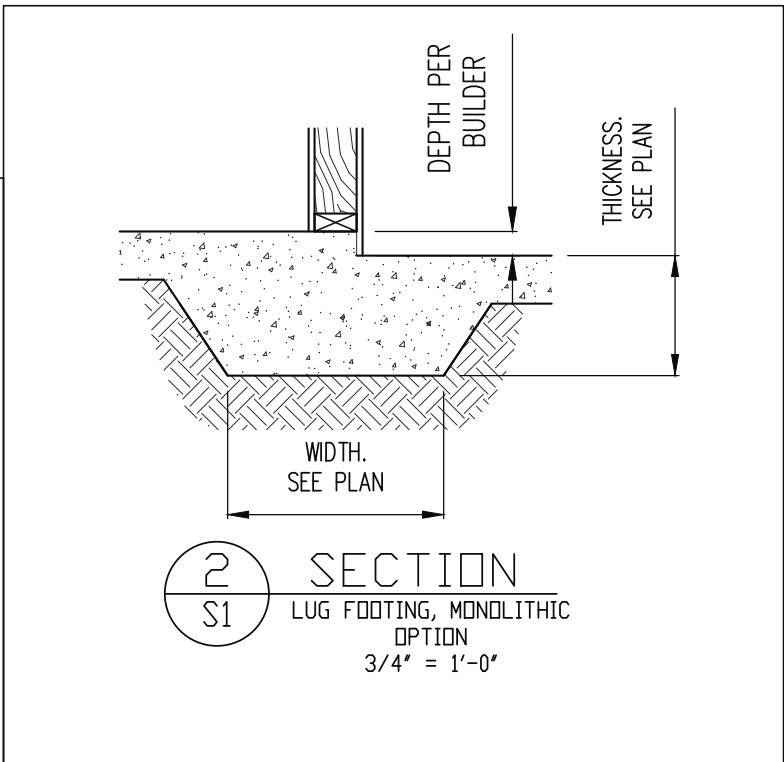
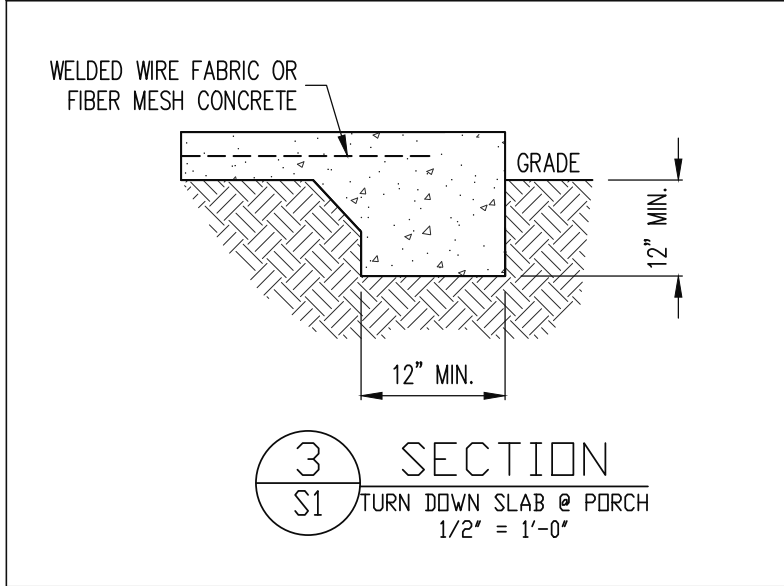
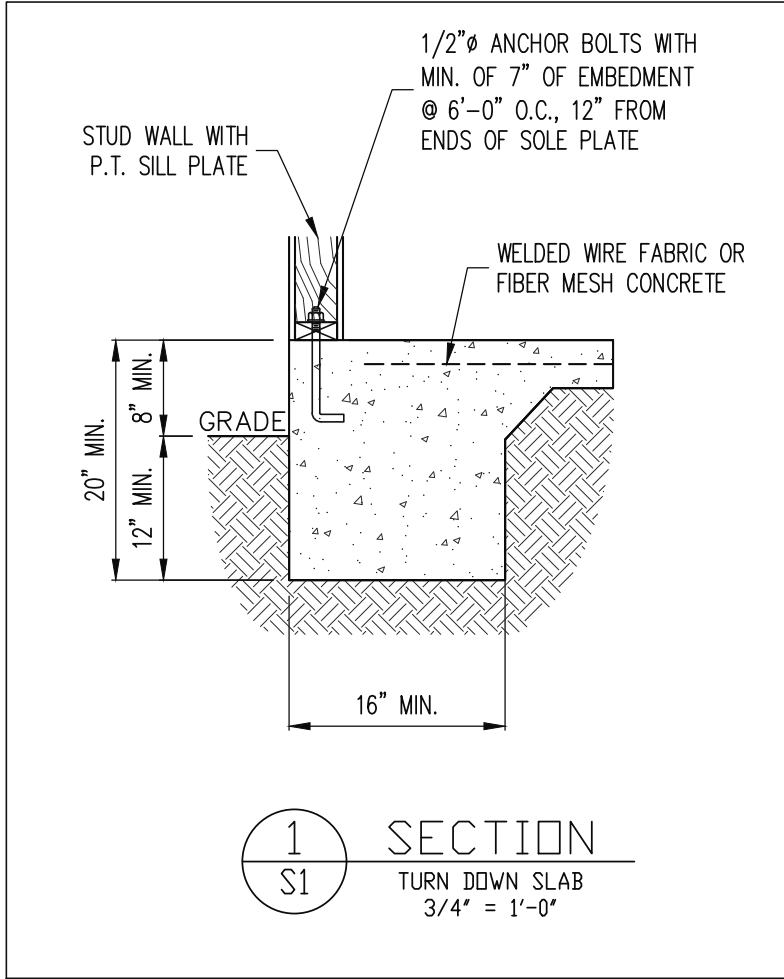
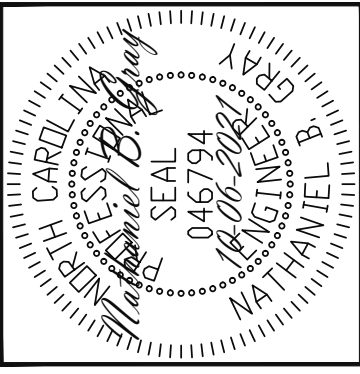
SCOPE: 744 MT. OLIVE CHURD RD  
 LOC: LILLINGTON, NC  
 JOB#: 22-52-09 KELLY

ENG: NBG/EAF  
 DATE: 10-06-2021

PLAN  
 PAMLICO A

PROJECT NO.  
 21-26-152

SHEET NO.  
 S3  
 3 of 6



STRUCTURAL ENGINEERS  
License No. C-3870  
183 Wind Chime Ct, Ste 100  
Raleigh, North Carolina 27615  
Phone (919) 844-1661

**Engineering**  
**Lech**  
ASSOCIATES, P.A.

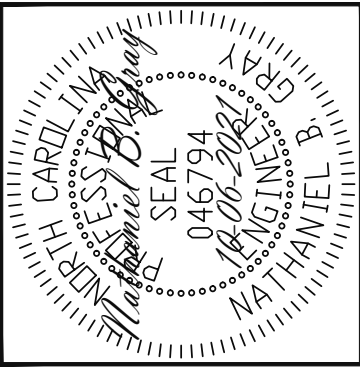
VALUE BUILD HOMES	
STRUCTURAL ADDENDUM	
SCOPE	744 MT. OLIVE CHURD RD
LOC	LILLINGTON, NC
	JOB# 22-52-09 KELLY

ENG: NBG/EAF  
DATE: 10-06-2021

PLAN  
PAMLICO A

PROJECT NO.  
21-26-152

SHEET NO.  
SD1



(2) CONT. 2X TOP PLATES, EXTEND EACH END INTO ADJACENT WALL. NAIL SPLICES WITH 8-16d NAILS PER SPLICE/LAP.

CONT. 2X PLATE WITH 10d NAILS AT 16" O.C. INTO HEADER/BREAM

7/16" O.S.B. OR 15/32" PLYWOOD EXTERIOR WALL SHEATHING AT UNSHADED AREAS (BEAM, INFILL WALL ABOVE BEAM, AND CENTER WALL). NAIL SHEATHING TO ALL SUPPORTS (STUDS, PLATES, BLOCKING, ETC.) WITH 8d NAILS AT 6" O.C. AT SHEET EDGES AND 12" O.C. IN THE FIELD.

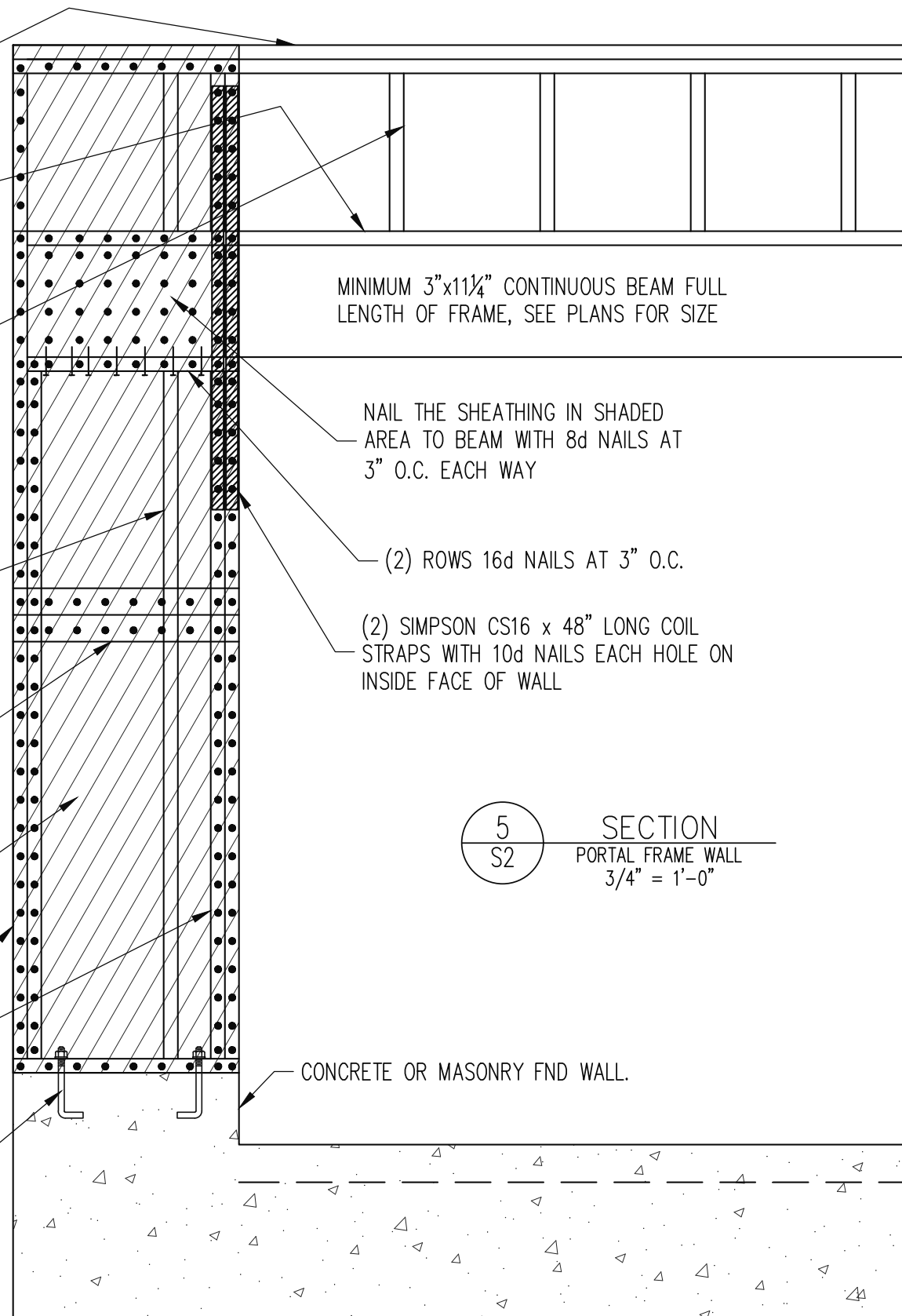
WHERE FULL HEIGHT PANEL WIDTH EXCEEDS 16", PROVIDE ADDITIONAL STUDS AT 16" O.C. NAIL SHEATHING TO ALL STUDS WITH 8d NAILS AT 3" O.C.

FOR A PANEL SPLICE (IF NEEDED), PANEL EDGES SHALL OCCUR OVER AND BE NAILED TO COMMON BLOCKING AND OCCUR WITHIN MIDDLE 24" OF WALL HEIGHT. ONE ROW OF 3" O.C. NAILING IS REQUIRED IN EACH PANEL EDGE.

7/16" O.S.B. OR 15/32" PLYWOOD EXTERIOR WALL SHEATHING. AT SHADED AREAS NAIL SHEATHING TO ALL SUPPORTS (STUDS, PLATES, BLOCKING, ETC.) WITH 8d NAILS AT 3" O.C.

(2)2x STUD MIN. AT START AND END OF WALL SEGMENTS EACH SIDE OF OPENING. SEE PLANS FOR ADDITIONAL STUDS

2x4 P.T. PLATE WITH TWO 1/2" DIA x 7" EMBED ANCHOR BOLTS WITH A 3/16"x2"x2" PLATE WASHERS OR ADDITIONAL HOLDOWN PER PLANS



MINIMUM 3"x11/4" CONTINUOUS BEAM FULL LENGTH OF FRAME, SEE PLANS FOR SIZE

NAIL THE SHEATHING IN SHADED AREA TO BEAM WITH 8d NAILS AT 3" O.C. EACH WAY

(2) ROWS 16d NAILS AT 3" O.C.

(2) SIMPSON CS16 x 48" LONG COIL STRAPS WITH 10d NAILS EACH HOLE ON INSIDE FACE OF WALL

5 SECTION  
S2 PORTAL FRAME WALL  
3/4" = 1'-0"

CONCRETE OR MASONRY FND WALL.

STRUCTURAL ENGINEERS  
License No. C-3870  
183 Wind Chime Ct, Ste 100  
Raleigh, North Carolina 27615  
Phone (919) 844-1661

**Engineering**  
**Lech**  
ASSOCIATES, P.A.

VALUE BUILD HOMES  
STRUCTURAL ADDENDUM  
SCOPE  
LOC: 744 MT. OLIVE CHURD RD  
LILLINGTON, NC  
JOB# 22-52-09 KELLY

ENG: NBG/EAF  
DATE: 10-06-2021

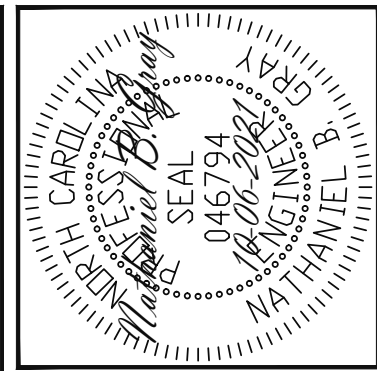
PLAN  
PAMLICO A

PROJECT NO.  
21-26-152

SHEET NO.  
SD2

5 of 6

# CONSTRUCTION SPECIFICATIONS



**PART 1: GENERAL**

- 1.01 CONSTRUCTION SHALL MEET THE REQUIREMENTS OF THE NORTH CAROLINA RESIDENTIAL CODE, 2018 EDITION.
- 1.02 DIMENSIONS SHOWN SHALL GOVERN OVER SCALE ON THESE DRAWINGS.
- 1.05 METHODS, PROCEDURES AND SEQUENCES OF CONSTRUCTION ARE THE RESPONSIBILITY OF THE CONTRACTOR, WHO SHALL TAKE ALL NECESSARY PRECAUTIONS TO MAINTAIN AND INSURE THE INTEGRITY OF THE STRUCTURE AT ALL STAGES OF CONSTRUCTION.

**PART 2: DESIGN LOADS**

2.01 DESIGN LOADS SHALL CONFORM WITH THE TABLE BELOW:

USE	LIVE LOAD (PSF)	DEAD LOAD (PSF)
BALCONIES, DECKS, ATTICS WITH FIXED STAIR ACCESS, DWELLING UNITS INCLUDING ATTICS WITH FIXED STAIR ACCESS, STAIRS, FIRE ESCAPES	40	10
GARAGES (PASSENGER CARS ONLY)	50	--
ATTICS (NO STORAGE, LESS THAN 5' HEADROOM)	10	10
ATTICS (WITH STORAGE)	20	10
ROOF	20	10 (15 FOR VAULTS)

NOTES: - INDIVIDUAL STAIR TREADS ARE TO BE DESIGNED FOR THE UNIFORMLY DISTRIBUTED LIVE LOAD OF 40 PSF OR A 300 LB. CONCENTRATED LOAD ACTING OVER AN AREA OF 4 SQ. WHICHEVER PRODUCES THE GREATER STRESS.  
 - BUILDER TO VERIFY DEAD LOAD DOES NOT EXCEED 10 PSF WHEN HEAVY FLOOR OR ROOF FINISHES SUCH AS TILE OR SLATE ARE UTILIZED. NOTIFY ENGINEERING UNDER THESE CONDITIONS

- 2.02 INTERIOR WALLS: 5 PSF LATERAL.
- 2.03 BASIC WIND DESIGN VELOCITY OF 120 MPH.
- 2.04 SOIL BEARING CAPACITY 2000 PSF (PRESUMPTIVE).

**PART 3: STRUCTURAL STEEL**

- 3.01 WIDE FLANGE BEAMS AND TEE SECTIONS SHALL CONFORM TO ASTM A992 MINIMUM GRADE
- 3.02 SQUARE AND RECTANGULAR TUBING SHALL CONFORM TO ASTM A500 GRADE B MINIMUM GRADE.
- 3.03 STEEL PIPE SHALL CONFORM TO ASTM A53 GRADE B, TYPE S, MINIMUM GRADE
- 3.04 ALL OTHER STRUCTURAL STEEL SHALL CONFORM TO ASTM A36 MINIMUM GRADE
- 3.05 STRUCTURAL STEEL CONSTRUCTION SHALL MEET THE REQUIREMENTS OF THE AISC SPECIFICATION FOR THE DESIGN, FABRICATION AND ERECTION OF STRUCTURAL STEEL FOR BUILDINGS.

**PART 4: WELDING**

- 4.01 WELDING ELECTRODES SHALL BE E70XX AND ALL WELDING SHALL BE PERFORMED BY AN AWS CERTIFIED WELDER

**PART 5: CONCRETE AND SLABS ON GRADE**

- 5.01 CAST IN PLACE CONCRETE SHALL BE OF NORMAL WEIGHT, 6% AIR ENTRAINMENT, AND SHALL HAVE A MINIMUM COMPRESSIVE STRENGTH OF 3000 PSI AT 28 DAYS TYP UNO. ALL CONCRETE, INCLUDING CONCRETE FOR FOOTINGS, IS TO BE CAST IN PLACE, TYP UNO.
- 5.02 REINFORCED CAST IN PLACE CONCRETE SHALL BE PROPORTIONED, MIXED AND PLACED IN ACCORDANCE WITH THE SPECIFICATIONS OF ACI 318, LATEST EDITION.
- 5.03 SLABS ON GRADE, IF ANY, SHALL CONTAIN SYNTHETIC POLYPROPYLENE FIBRILLATED MICRO FIBERS, FIBER LENGTH 1 1/2", DOSAGE RATE 1 1/2 LBS/CU YD. SLAB TO BE PLACED ON A 6 MIL VAPOR BARRIER ON 2" MIN GRANULAR FILL ON SOIL WITH 90% MIN STANDARD PROCTOR DENSITY. VAPOR BARRIER MAY BE OMITTED FOR SLABS NOT IN ENCLOSED AREAS

**PART 6: REBAR AND WIRE REINFORCEMENT**

- 6.01 REBAR SHALL BE DEFORMED STEEL CONFORMING TO ASTM A615 GRADE 60 TYP UNO
- 6.02 LAP SPLICES SHALL BE CLASS B AS DEFINED BY ACI 318, TYP UNO
- 6.03 WIRE REINFORCEMENT SHALL BE 9 GA AND SHALL CONFORM TO ASTM A1064.

**PART 7: MASONRY**

- 7.01 CONCRETE MASONRY UNITS SHALL CONFORM TO ASTM C90 AND C55, NORMAL WEIGHT, f'm = 1,500 PSI MIN
- 7.02 CLAY MASONRY UNITS SHALL CONFORM TO ASTM C62-17 GRADE SW
- 7.03 MORTAR SHALL BE TYPE S. MORTAR AND GROUT SHALL CONFORM TO ASTM C476, MIN COMPRESSIVE STRENGTH OF 2000 PSI.
- 7.04 MASONRY CONSTRUCTION SHALL CONFORM TO THE SPECIFICATIONS OF ACI 530
- 7.05 LADDER WIRE REINFORCEMENT SHALL CONFORM TO ASTM A951. 6" MIN LAPS FOR CONTINUOUS WALL APPLICATIONS

**PART 8: BOLTS AND LAG SCREWS**

- 8.01 BOLTS SHALL CONFORM TO ASTM A307 MINIMUM GRADE TYP UNO. INSTALL STANDARD STEEL WASHERS (ASTM F844-07a) FOR THE NUT / BOLT HEAD WHEN BOLTING WOOD MEMBERS
- 8.02 LAG SCREWS SHALL CONFORM TO ANSI/ASME STANDARD B18.2.1-1981. PILOT HOLES SHALL BE USED FOR LAG SCREW INSTALLATION AND SHALL BE BORED ACCORDING TO NDS SPECIFICATIONS. INSTALL STANDARD STEEL WASHERS (ASTM F844-07a) FOR SCREW HEAD
- 8.03 ANCHOR RODS AND BOLTS SHALL CONFORM TO ASTM F1554-15 GRADE 36 UNO. BENT ANCHOR BOLTS SHALL HAVE A 2" MIN HOOK UNO

**PART 9: DRIVEN FASTENERS**

- 9.01 NAILS, SPIKES AND STAPLES SHALL CONFORM TO ASTM F 1667-05. NAILS ARE TO BE COMMON WIRE OR BOX

**PART 10: DIMENSIONAL LUMBER**

- 10.01 SOLID SAWN WOOD FRAMING DESIGN IS BASED ON NO. 2 SPRUCE PINE FIR OR SYP #2 FOR JOISTS, RAFTERS, GIRDERS, BEAMS, STUDS, ETC.

**PART 11: ENGINEERED LUMBER**

- 11.01 LVL OR PSL MINIMUM ALLOWABLE DESIGN STRESSES ARE AS FOLLOWS:  
 E= 1.9 X 10E6 PSI, Fb = 2600 PSI, Fv = 285 PSI, Fc = 750 PSI  
 LSL MINIMUM ALLOWABLE DESIGN STRESSES ARE AS FOLLOWS:  
 E= 1.3 X 10E6 PSI, Fb = 1700 PSI, Fv = 400 PSI, Fc = 680 PSI
- 11.02 LVL OR PSL MEMBERS MAY BE RIPPED FROM DEEPER MEMBERS TO MATCH THE MEMBER DEPTH SPECIFIED IN THE PLANS

**PART 12: PRESSURE TREATED LUMBER**

- 12.01 LUMBER IN CONTACT WITH THE GROUND, CONCRETE OR MASONRY SHALL BE PRESSURE TREATED IN ACCORDANCE WITH AWPA STANDARD C-15. ALL OTHER EXPOSED LUMBER SHALL BE TREATED IN ACCORDANCE WITH AWPA STANDARD C-2 OR BY ANY METHOD GIVING EQUAL PROTECTION. THE BUILDING CODE OFFICE MAY ALSO APPROVE A NATURAL DECAY RESISTANT WOOD PER SECTION 19-6(A)

**PART 13: STEEL FLITCH PLATE BEAMS**

- 13.01 FLITCH PLATE BEAMS SHALL CONSIST OF A CONTINUOUS STEEL PLATE BOLTED BETWEEN TWO PIECES OF CONTINUOUS LUMBER AS SIZED ON THE PLANS. BOLT PIECES TOGETHER USING 1/2" Ø BOLTS SPACED AT 24" O.C. STAGGERED TOP TO BOTTOM OF THE BEAM. MAINTAIN A 2" EDGE DISTANCE. PLACE TWO BOLTS, ONE ABOVE THE OTHER, 6" ± 2" FROM EACH END OF THE BEAM.

**PART 14: STUD SUPPORTS FOR BEAMS**

- 14.01 STEEL, ENGINEERED LUMBER, AND FLITCH PLATE BEAMS BEARING ON A STUD WALL SHALL BEAR AS FOLLOWS:  
 1-WHEN THE BEAM IS PERPENDICULAR TO, OR SKEWED RELATIVE TO THE WALL, THE BEAM SHALL BEAR FULL WIDTH ON THE SUPPORTING WALL INDICATED AND SHALL BE SUPPORTED BY A MINIMUM OF THREE GANGED STUDS, OR A GANGED STUD COLUMN WITH A NUMBER OF STUDS SUCH THAT THE STUD COLUMN IS AT LEAST AS WIDE AS THE TRUE WIDTH OF THE BEAM BEING SUPPORTED, WHICHEVER IS GREATER, TYP UNO. FOR THE SKEWED CONDITION PARTICULAR CARE SHALL BE TAKEN TO ENSURE STUD COLUMN IS CENTERED ON THE BEAM  
 2-BEAMS BEARING ONTO THE END OF A STUD WALL PARALLEL TO THE BEAM SHALL BEAR A MINIMUM OF 4 1/2" ONTO THE WALL AND BE SUPPORTED BY A TRPL STUD GANGED COLUMN TYP UNO.
- 14.02 DIMENSIONAL LUMBER BEAMS BEARING ON A STUD WALL SHALL BEAR AS FOLLOWS:  
 1-WHEN THE BEAM IS PERPENDICULAR TO, OR SKEWED RELATIVE TO THE WALL, THE BEAM SHALL BEAR FULL WIDTH ON THE SUPPORTING WALL INDICATED (LESS 1 1/2" TO ALLOW FOR A CONTINUOUS RIM JOIST WHERE APPLICABLE) AND SHALL BE SUPPORTED BY A GANGED STUD COLUMN THE SAME WIDTH AS THE BEAM TYP UNO. (E.G. A TRIPLE 2X10 IS TO BE SUPPORTED BY (3) STUDS). FOR THE SKEWED CONDITION PARTICULAR CARE SHALL

BE TAKEN TO ENSURE STUD COLUMN IS CENTERED ON THE BEAM  
 2-BEAMS BEARING ONTO THE END OF A STUD WALL PARALLEL TO THE BEAM SHALL BEAR A MINIMUM OF 3" ONTO THE WALL AND BE SUPPORTED BY A DBL STUD GANGED COLUMN TYP UNO.

- 14.03 EXTRA JOISTS BEARING ON A STUD WALL PERPENDICULAR TO OR SKEWED RELATIVE TO THE BEAM SHALL BE SUPPORTED BY ONE ADDITIONAL STUD.

- 14.04 STUDS THAT ARE GANGED TO FORM A COLUMN SHALL HAVE ADJACENT STUDS WITHIN THE COLUMN NAILED TOGETHER WITH ONE ROW OF 10d NAILS AT 8" O.C. (TWO ROWS OF 10d NAILS @ 8" O.C., 3" APART, FOR 2X8 OR 2X10 STUDS) ALL COLUMNS SHALL BE CONTINUOUS DOWN TO THE FOUNDATION OR OTHER PROPERLY DESIGNED STRUCTURAL ELEMENT SUCH AS A BEAM. COLUMNS TRANSFERRING LOADS THROUGH FLOOR LEVELS SHALL BE SOLIDLY BLOCKED FOR THE FULL WIDTH OF THE STUD COLUMN WITHIN THE CAVITY FORMED BY THE FLOOR JOISTS.

**PART 15: NAILING OF MULTI PLY WOOD BEAMS**

- 15.01 SOLID SAWN LUMBER JOISTS THAT ARE GANGED TO FORM A BEAM SHALL HAVE ADJACENT MEMBERS IN THE BEAM NAILED TOGETHER WITH THREE ROWS OF 10d NAILS @ 16" O.C. FOR 2X10 OR LARGER, TWO ROWS OF 10d NAILS @ 16" O.C. FOR 2X8, ONE ROW OF 10d NAILS @ 16" O.C. FOR 2X6 OR SMALLER. STAGGER ROWS 5" MIN.

- 15.02 LVL MEMBERS THAT ARE GANGED TO FORM A BEAM SHALL HAVE ADJACENT MEMBERS IN THE BEAM FASTENED TOGETHER PER MANUFACTURERS RECOMMENDATIONS, TYP UNO

**PART 16: WALL FRAMING AND BRACING**

- 16.01 STUD WALLS SHALL CONSIST OF 2X4 STUDS SPACED AT 16" O.C. UNO. STUDS SHALL BE CONTINUOUS FROM SOLE PLATE AT FLOOR TO DOUBLE TOP PLATE AT THE CEILING OR ROOF. NO INTERMEDIATE BANDS OR PLATES SHALL CAUSE DISCONTINUITIES IN A STUD WALL EXCEPT AS REQUIRED FOR DOOR OR WINDOW OPENINGS. THE KING STUDS FOR SUCH OPENINGS SHALL BE CONTINUOUS, TYP UNO.

**MAX ALLOWABLE WALL HEIGHTS** FOR EXTERIOR STUD WALLS, WITH SOLE PLATE AND DBL TOP PLATE AND 7/16" OSB EXTERIOR BRACING AND ROW OF 2X4 / 2X6 PURLINS AT 8' HEIGHT (AND AT 16' HEIGHT FOR TALL WALLS), TYP UNO:  
 2X4 @ 16" O.C.: 11'-1 1/2"    2X6 @ 16" O.C.: 17'-0"  
 2X4 @ 12" O.C.: 12'-1 1/2"    2X6 @ 12" O.C.: 18'-8"  
 DBL 2X4 @ 16" O.C.: 13'-4"    DBL 2X6 @ 16" O.C.: 21'-0"

- 16.02 FOR WALL BRACING THE FOLLOWING SHALL APPLY:  
 -BLOCKING AT UNSUPPORTED PANEL EDGES IS REQUIRED TYP UNO.  
 -WALL BRACING IS BY ENGINEERED DESIGN AND NOT PRESCRIPTIVE PER SECTION 602.10 OF THE 2018 NCR. CONTINUOUS SHEATHING HAS BEEN PROVIDED, ALONG WITH ALTERNATIVE METHODS TO INSURE THE MINIMUM INTENT OF SECTION 602.10 OF THE 2018 NCR HAS BEEN MET AND EXCEEDED.  
 -BRACED WALL PANELS SHALL BE FASTENED IN ACCORDANCE WITH TABLE 602.3(1) TO PROVIDE CONTINUOUS PANEL UPLIFT RESISTANCE AND COMPLIANCE WITH NCRBC R602.3.5 AND R802.11 UNLESS NOTED OTHERWISE ON STRUCTURAL PLANS.  
 -MAY SUBSTITUTE WSP FOR GB  
 -SINGLE JOIST, CONTINUOUS RIM JOIST, OR BLOCKING OF EQUAL DEPTH IS REQUIRED ABOVE AND BELOW ALL BRACED WALLS. NAIL BLOCKING ABOVE WALL TO TOP PLATE WITH 16d TOE NAILS @ 6" O.C. NAIL SOLE PLATE OF BRACED WALL TO BLOCKING BELOW WITH (3) 16d NAILS @ 16" O.C. BLOCKING AT HORIZONTAL JOINTS IN BRACED WALL LINES ONLY REQUIRED AT SHADED WALLS, UNO.

**PART 17: KING STUDS**

- 17.01 KING STUDS FOR OPENINGS IN EXTERIOR WALLS SHALL BE AS FOLLOWS:

MAX OPENING WIDTH	NUMBER OF KING STUDS				
	5'-0"	9'-0"	13'-0"	17'-0"	21'-0"
STUD SIZE	2X4	1	2	3	4
	2X6	1	1	2	2
	2X8	1	1	1	1

**PART 18: SUBSTITUTIONS**

- 18.01 MATERIAL OR MEMBER SIZE SUBSTITUTIONS OR PLAN DEVIATIONS REQUIRE THE WRITTEN AUTHORIZATION OF THE DESIGNERS. UNAUTHORIZED DEVIATIONS ARE THE SOLE RESPONSIBILITY OF THE CONTRACTOR.

**PART 19: OWNERSHIP OF STRUCTURAL DESIGN**

- 19.01 THE STRUCTURAL DESIGN OF THIS PLAN IS THE PROPERTY OF ENGINEERING TECH ASSOCIATES (ETA). THESE PLANS ARE FOR THE ONE TIME USE AT THE LOCATION INDICATED AND FOR THE CLIENT LISTED. ETA ASSUMES NO LIABILITY FOR THESE PLANS IF THEY ARE REPRODUCED, IN WHOLE OR IN PART, FOR CONSTRUCTION AT ANY OTHER LOCATION WITHOUT WRITTEN PERMISSION FROM ETA

**ABBREVIATIONS**

FOUNDATION FOOTING HOT DIPPED GALVANIZED HANGER LAMINATED VENEER LUMBER NOT TO SCALE ON CENTER PARALLEL STRAND LUMBER PRESSURE TREATED QUAD JOIST STUD POCKET SQUARE	TRIPLE JOIST TYPICAL TRIPLE TRIPLE STUD POCKET UNLESS NOTED OTHERWISE EXTRA JOIST
FND FTG HDG HGR LVL NTS O.C. PSL PT QU SP SQ	T3 TYP TRPL TSP UNO XU
ABOVE BOTH B.E. BTWN CIP CONC CS DIA DBL DJ DSP EQ EA FLG FL PL FLR FLOOR	ABOVE BOTH B.E. BTWN CIP CONC CS DIA DBL DJ DSP EQ EA FLG FL PL FLR FLOOR

**NOTES**

THE BUILDER IS RESPONSIBLE FOR REVIEWING PLANS PRIOR TO CONSTRUCTION. THE BUILDER SHALL IMMEDIATELY CONTACT THE ENGINEER OF RECORD (EOR) BEFORE PROCEEDING IF THE FOLLOWING CONDITIONS ARE NOTED BEFORE OR DURING CONSTRUCTION:  
 1) THE WORKING PLANS DO NOT BEAR THE SEAL OF THE EOR  
 2) THE PLANS CONTAIN DISCREPANT OR INCOMPLETE INFORMATION  
 ANY ERRORS DUE TO A FAILURE TO FOLLOW THE ABOVE PROCEDURES SHALL NOT BE THE RESPONSIBILITY OF THE EOR. FURTHERMORE, IT IS THE RESPONSIBILITY OF THE BUILDER TO ENSURE THAT ANY REVISIONS ISSUED BY THE EOR ARE PROMPTLY DISTRIBUTED TO THE SUBCONTRACTORS  
 THE EOR DOES NOT PERFORM FENESTRATION OR VENTING CALCULATIONS OR ANY OTHER CALCULATIONS THAT ARE NOT DIRECTLY RELATED TO STRUCTURAL ENGINEERING.  
 ROOF AND FLOOR TRUSSES TO BE DESIGNED BY AN ENGINEER REGISTERED BY THE STATE. FINAL TRUSS DRAWING SHOULD BE SUBMITTED TO THE EOR FOR REVIEW

**Engineering Tech**  
 ASSOCIATES, P.A.  
**STRUCTURAL ENGINEERS**  
 License No. C-3870  
 183 Wind Chime Ct, Ste 100  
 Raleigh, North Carolina 27615  
 Phone (919) 844-1661

<b>VALUE BUILD HOMES</b>
<b>STRUCTURAL ADDENDUM</b>
<b>SCOPE</b>
<b>LOC</b>
<b>744 MT. OLIVE CHURD RD</b>
<b>LILLINGTON, NC</b>
<b>JOB# 22-52-09 KELLY</b>

**ENG: NBG/EAF**  
**DATE: 10-06-2021**

**PLAN**  
**PAMLICO A**

**PROJECT NO.**  
**21-26-152**

**SHEET NO.**  
**SPECS**