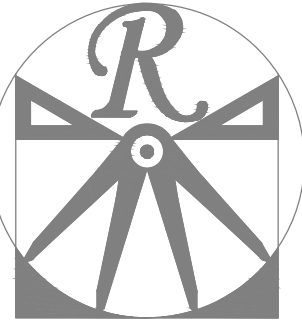


**GENERAL NOTES**

1. ALL WORK SHALL BE PERFORMED IN ACCORDANCE WITH ALL APPLICABLE NATIONAL, STATE, AND LOCAL CODES AND REGULATIONS.
2. CONTRACTOR SHALL THOROUGHLY REVIEW ALL SHEETS IN PLAN SET AND VERIFY ALL DETAILS AND DIMENSIONS BEFORE BEGINNING CONSTRUCTION. ANY DISCREPANCIES SHALL BE REPORTED TO RENAISSANCE RESIDENTIAL DESIGN, INC. FOR JUSTIFICATION AND/OR CORRECTION BEFORE PROCEEDING WITH WORK. CONTRACTORS SHALL ASSUME RESPONSIBILITY FOR ERRORS THAT ARE NOT REPORTED PRIOR TO CONSTRUCTION.
3. ALL DIMENSIONS SHOULD BE READ OR CALCULATED AND NEVER SCALED.
4. CONTRACTOR SHALL ENSURE COMPATIBILITY OF THE BUILDING WITH ALL SITE REQUIREMENTS.

**LOT 14 WEST PARK  
78 WEST PARK LANE  
SANFORD, NC**

**PLANS DESIGNED TO THE  
2018 NORTH CAROLINA STATE  
RESIDENTIAL BUILDING CODE.**



**RENAISSANCE**

RESIDENTIAL DESIGN, INC.  
RALEIGH, NC 27612  
(919) 648-4128  
WWW.RRD-CAROLINA.COM

The art of transforming your vision into reality.

RENAISSANCE RESIDENTIAL DESIGN, INC. RESERVES THE RIGHT TO MAKE MODIFICATIONS TO FLOOR PLANS, DIMENSIONS, MATERIALS, AND SPECIFICATIONS WITHOUT NOTICE. THESE DRAWINGS ARE FOR THE PURPOSE OF CONVEYING AN ARCHITECTURAL CONCEPT ONLY.

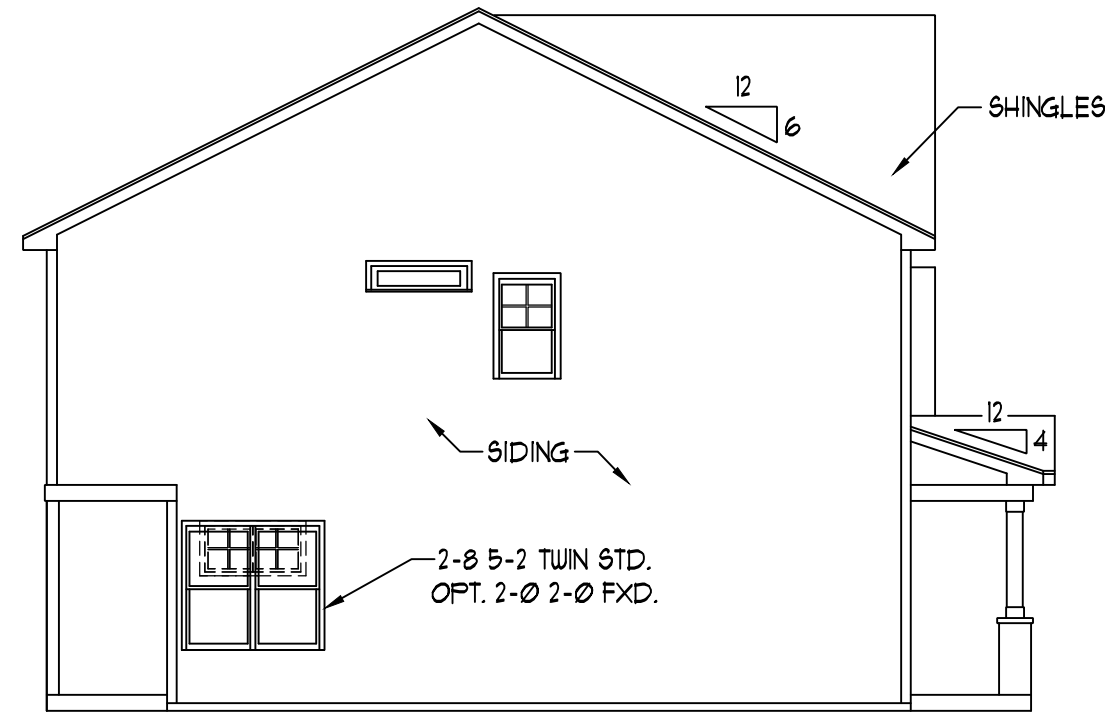
RENAISSANCE RESIDENTIAL DESIGN, INC. HEREBY EXPRESSLY RESERVES ITS COMMON LAW COPYRIGHT AND OTHER PROPERTY RIGHTS IN THESE PLANS. THESE PLANS AND DRAWINGS ARE NOT TO BE REPRODUCED, CHANGED, OR COPIED IN ANY FORM OR MANNER WITHOUT FIRST OBTAINING THE EXPRESS WRITTEN CONSENT OF RENAISSANCE RESIDENTIAL DESIGN, INC. NOR ARE THEY TO BE ASSIGNED TO ANY THIRD PARTY WITHOUT FIRST OBTAINING SAID WRITTEN PERMISSION AND CONSENT.

**WEAVER  
HOMES**  
350 Waggoner Drive • Fayetteville, NC 28303  
910.630.2100 • 800.802.2190  
www.weaver-homes.com

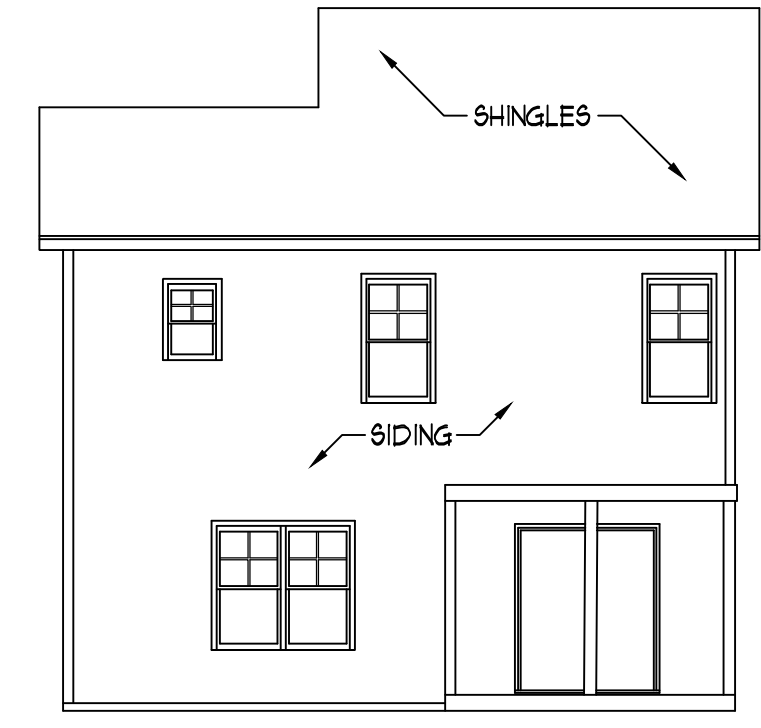
PLEASE PROMPTLY NOTIFY US OF ANY CHANGES, OPTIONS, OR DISCREPANCIES. FLOOR PLANS, ELEVATIONS, DESIGNS, MATERIALS AND DIMENSIONS ARE SUBJECT TO CHANGE WITHOUT NOTICE. SQUARE FOOTAGE AND DIMENSIONS ARE ESTIMATED AND HOUSE ON LOT WILL BE DETERMINED BY THE SITE PLAN AND PLOT PLAN. FLOOR PLANS AND ELEVATION RENDERINGS ARE ARTIST CONCEPTIONS. FLOOR PLANS ARE THE COPYRIGHTED PROPERTY OF WEAVER HOMES. ANY USE, REPRODUCTION, OR DISTRIBUTION OF THESE PLANS WITHOUT THE WRITTEN CONSENT OF WEAVER HOMES IS PROHIBITED. SEE NEW HOME SALES CONSULTANT FOR CURRENT DETAILS. COPYRIGHT © 2020 WEAVER HOMES



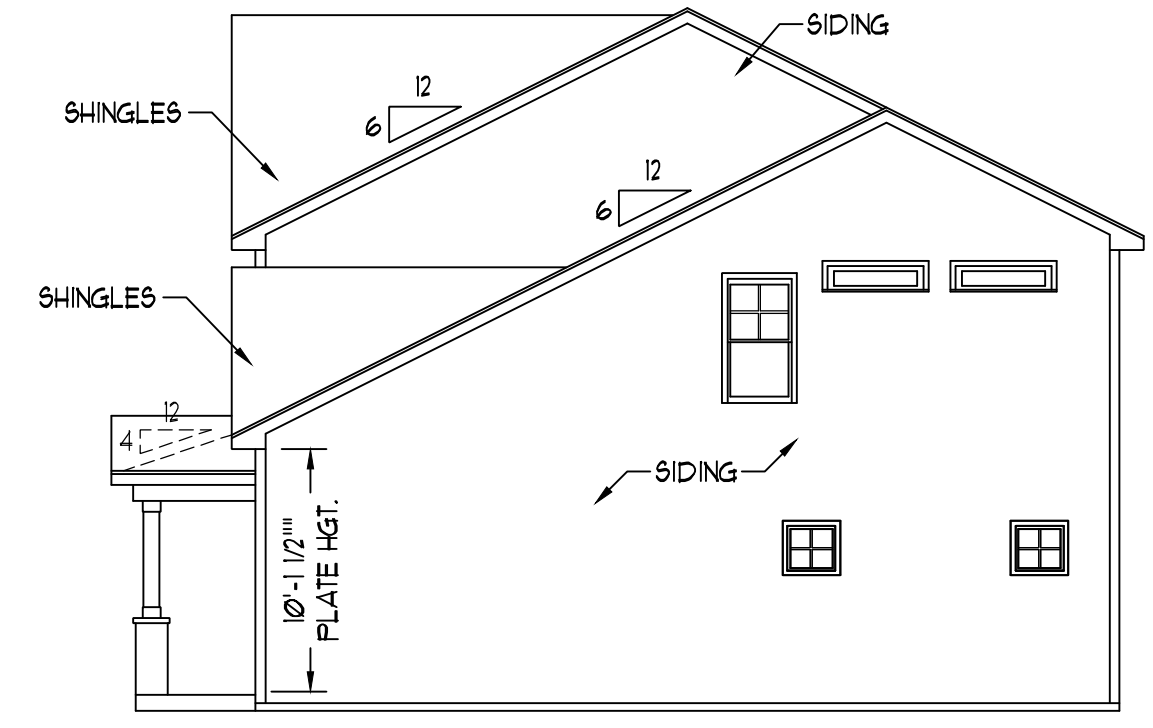
**FRONT ELEVATION-C**  
SCALE: 1/4" = 1'-0"



**LEFT ELEVATION**  
SCALE: 1/8" = 1'-0"



**REAR ELEVATION**  
SCALE: 1/8" = 1'-0"



**RIGHT ELEVATION**  
SCALE: 1/8" = 1'-0"

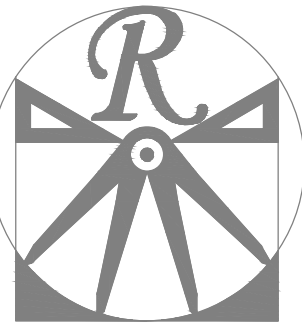
**PLUMBING: DOUBLE J  
HVAC: MAINSTREAM  
ELECTRICAL: PIONEER**

SCALE NOTE: 18x24 PRINTS ARE TO SCALE AS NOTED.  
11x17 PRINTS ARE NOT TO SCALE

**WEAVER HOMES  
CAROLINA COLLECTION  
POPLAR DRIVE RIGHT**

DATE: JULY 22, 2020  
REV.:  
SCALE: 1/4" = 1'-0"  
DRAWN BY: WG  
ENGINEERED BY:  
REVIEWED BY:

C - ELEVATIONS  
**A-3**



**RENAISSANCE**

RESIDENTIAL DESIGN, INC.  
RALEIGH, NC 27612  
(919) 648-4128

WWW.RRDCAROLINA.COM  
The art of transforming your vision into reality.

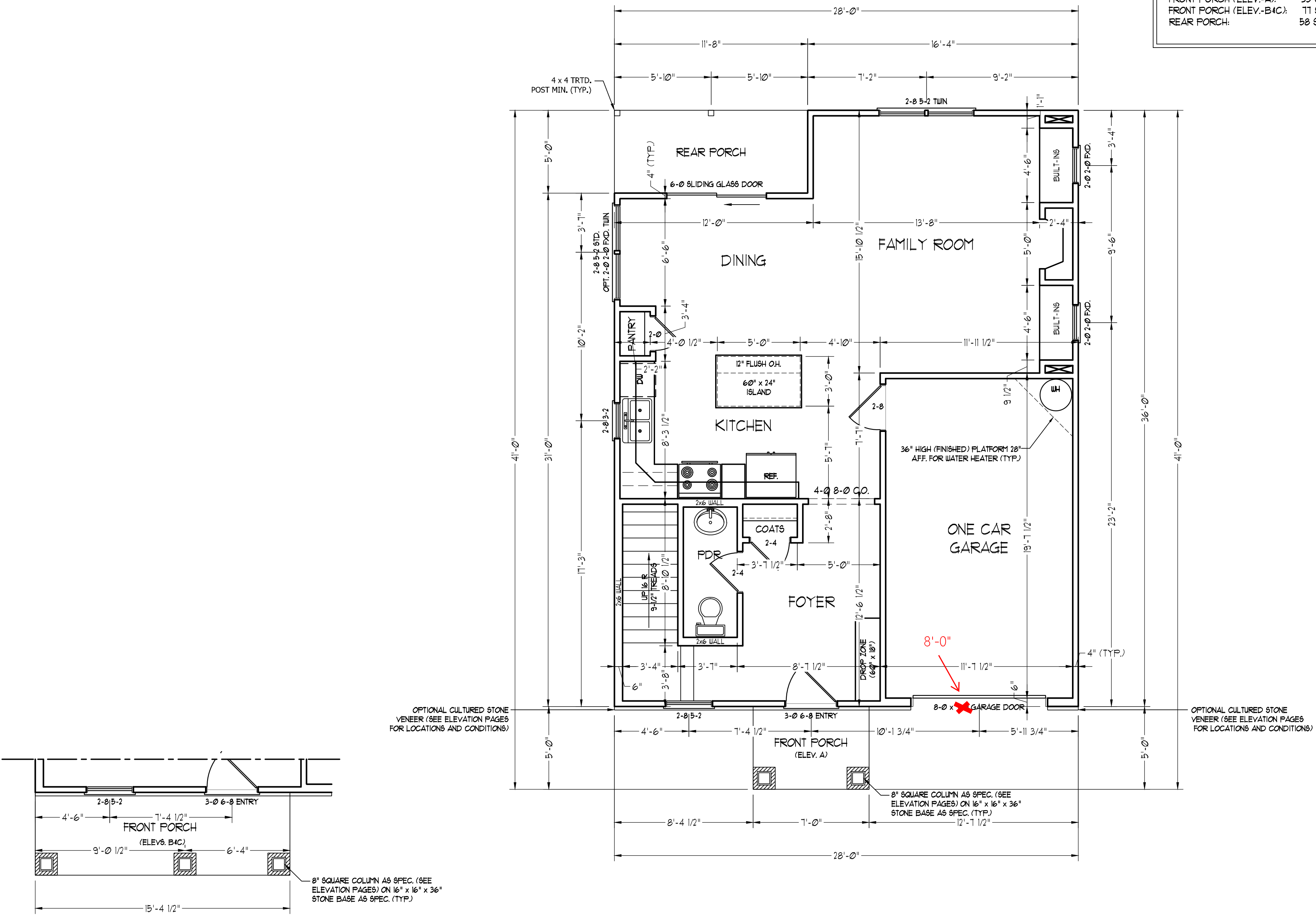
RENAISSANCE RESIDENTIAL DESIGN, INC. RESERVES THE RIGHT TO MAKE MODIFICATIONS TO FLOOR PLANS, DIMENSIONS, MATERIALS, AND SPECIFICATIONS WITHOUT NOTICE. THESE DRAWINGS ARE FOR THE PURPOSE OF CONVEYING AN ARCHITECTURAL CONCEPT ONLY.

RENAISSANCE RESIDENTIAL DESIGN, INC. HEREBY EXPRESSLY RESERVES ITS COMMON LAW COPYRIGHT AND OTHER PROPERTY RIGHTS IN THESE PLANS. THESE PLANS AND DRAWINGS ARE NOT TO BE REPRODUCED, CHANGED, OR COPIED IN ANY FORM OR MANNER WITHOUT FIRST OBTAINING THE EXPRESS WRITTEN CONSENT OF RENAISSANCE RESIDENTIAL DESIGN, INC. NOR ARE THEY TO BE ASSIGNED TO ANY THIRD PARTY WITHOUT FIRST OBTAINING SAID WRITTEN PERMISSION AND CONSENT.

**WEAVER HOMES**  
350 Waggoner Drive • Fayetteville, NC 28303  
910.690.2190 • 800.892.2190  
www.weaver-homes.com

PLEASE PROMPTLY NOTIFY US OF ANY CHANGES, OPTIONS, OR MODIFICATIONS TO THESE PLANS. FLOOR PLANS, ELEVATIONS, DESIGNS, MATERIALS AND DIMENSIONS ARE SUBJECT TO CHANGE WITHOUT NOTICE. SQUARE FOOTAGE AND DIMENSIONS ARE ESTIMATED AND NOT TO BE CONSIDERED AS A CONTRACT. HOUSE ON LOT WILL BE DETERMINED BY THE SITE PLAN AND PLOT PLAN. FLOOR PLANS AND ELEVATION RENDERINGS ARE ARTIST CONCEPTIONS. FLOOR PLANS ARE THE COPYRIGHTED PROPERTY OF WEAVER HOMES AND ARE NOT TO BE REPRODUCED, COPIED, OR USED IN ANY MANNER WITHOUT THE WRITTEN PERMISSION AND CONSENT OF WEAVER HOMES. SEE NEW HOME SALES CONSULTANT FOR CURRENT DETAILS. COPYRIGHT © 2020 WEAVER HOMES

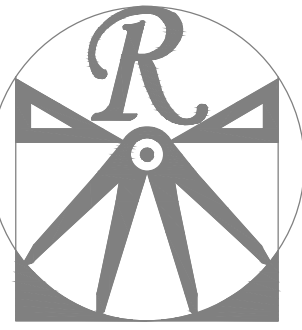
SQUARE FOOTAGE (I.F.S.)	
1st FLOOR:	6711 SQ. FT.
2nd FLOOR:	800 SQ. FT.
TOTAL:	14711 SQ. FT.
GARAGE:	218 SQ. FT.
FRONT PORCH (ELEV.-A):	35 SQ. FT.
FRONT PORCH (ELEV.-B&C):	11 SQ. FT.
REAR PORCH:	58 SQ. FT.



**WEAVER HOMES**  
CAROLINA COLLECTION  
POPLAR DRIVE RIGHT

DATE: JULY 22, 2020  
REV.:  
SCALE: 1/4" = 1'-0"  
DRAWN BY: WG  
ENGINEERED BY:  
REVIEWED BY:

FIRST FLOOR PLAN  
**A-4**



**RENAISSANCE**

RESIDENTIAL DESIGN, INC.

RALEIGH, NC 27612

(919) 648-4128

WWW.RRD-CAROLINA.COM

The art of transforming your vision into reality.

RENAISSANCE RESIDENTIAL DESIGN, INC. HEREBY EXPRESSLY RESERVES THE RIGHT TO MAKE MODIFICATIONS TO FLOOR PLANS, DIMENSIONS, MATERIALS, AND SPECIFICATIONS WITHOUT NOTICE. THESE DRAWINGS ARE FOR THE PURPOSE OF CONVEYING AN ARCHITECTURAL CONCEPT ONLY.

RENAISSANCE RESIDENTIAL DESIGN, INC. HEREBY EXPRESSLY RESERVES ITS COMMON LAW COPYRIGHT AND OTHER PROPERTY RIGHTS IN THESE PLANS. THESE PLANS AND DRAWINGS ARE NOT TO BE REPRODUCED, CHANGED, OR COPIED IN ANY FORM OR MANNER WITHOUT FIRST OBTAINING THE EXPRESS WRITTEN CONSENT OF RENAISSANCE RESIDENTIAL DESIGN, INC. NOR ARE THEY TO BE ASSIGNED TO ANY THIRD PARTY WITHOUT FIRST OBTAINING SAID WRITTEN PERMISSION AND CONSENT.

**WEAVER HOMES**  
350 Waggoner Drive • Fayetteville, NC 28303  
910.690.2100 • 800.802.2190  
www.weaver-homes.com

PLEASE PROMPTLY NOTIFY US OF ANY CHANGES, OPTIONS, OR ADDITIONS TO THESE PLANS. FLOOR PLANS, ELEVATIONS, DESIGNS, MATERIALS AND DIMENSIONS ARE SUBJECT TO CHANGE WITHOUT NOTICE. SQUARE FOOTAGE AND DIMENSIONS ARE ESTIMATED AND NOT TO BE CONSIDERED AS A CONTRACT. HOUSE ON LOT WILL BE DETERMINED BY THE SITE PLAN AND PLOT PLAN. FLOOR PLANS AND ELEVATION RENDERINGS ARE ARTIST CONCEPTIONS. FLOOR PLANS ARE THE COPYRIGHTED PROPERTY OF WEAVER HOMES AND ARE NOT TO BE REPRODUCED, COPIED, OR TRANSMITTED IN ANY FORM OR BY ANY MEANS, ELECTRONIC OR MECHANICAL, INCLUDING PHOTOCOPYING, RECORDING, OR BY ANY INFORMATION STORAGE AND RETRIEVAL SYSTEM. WITHOUT THE WRITTEN PERMISSION OF WEAVER HOMES. CURRENT DETAILS. COPYRIGHT © 2020 WEAVER HOMES

**WEAVER HOMES**  
CAROLINA COLLECTION  
POPLAR DRIVE RIGHT

DATE: JULY 22, 2020

REV.:

SCALE: 1/4" = 1'-0"

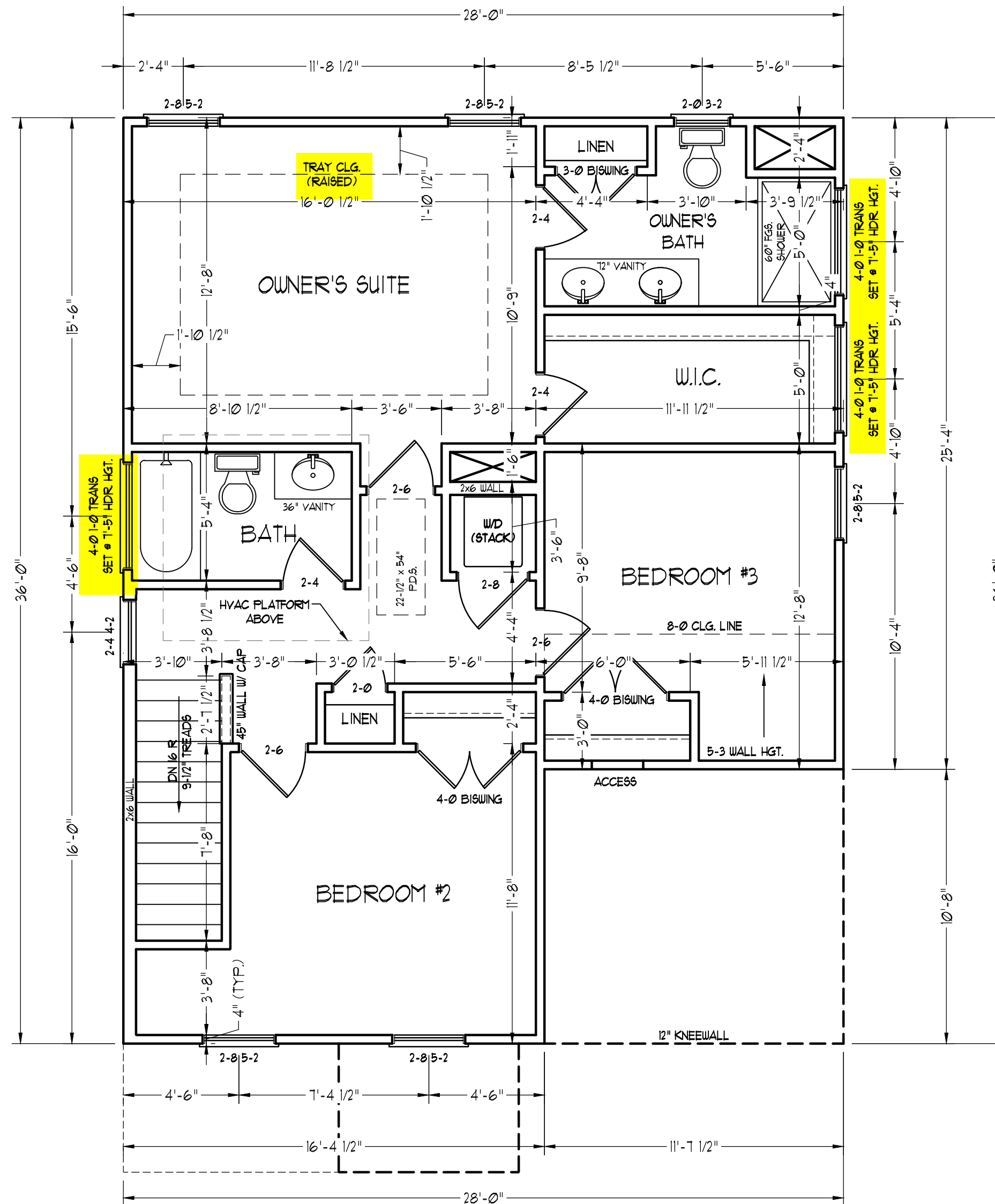
DRAWN BY: WG

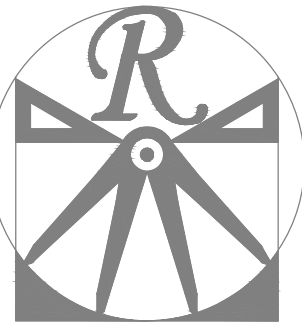
ENGINEERED BY:

REVIEWED BY:

SECOND FLOOR  
PLAN

A-5





# RENAISSANCE

RESIDENTIAL DESIGN, INC.

RALEIGH, NC 27612

(919) 648-4128

WWW.RRD-CAROLINA.COM

The art of transforming your vision into reality.

RENAISSANCE RESIDENTIAL DESIGN, INC. RESERVES THE RIGHT TO MAKE MODIFICATIONS TO FLOOR PLANS, DIMENSIONS, MATERIALS, AND SPECIFICATIONS WITHOUT NOTICE. THESE DRAWINGS ARE FOR THE PURPOSE OF CONVEYING AN ARCHITECTURAL CONCEPT ONLY.

RENAISSANCE RESIDENTIAL DESIGN, INC. HEREBY EXPRESSLY RESERVES ITS COMMON LAW COPYRIGHT AND OTHER PROPERTY RIGHTS IN THESE PLANS. THESE PLANS AND DRAWINGS ARE NOT TO BE REPRODUCED, CHANGED, OR COPIED IN ANY FORM OR MANNER WITHOUT FIRST OBTAINING THE EXPRESS WRITTEN CONSENT OF RENAISSANCE RESIDENTIAL DESIGN, INC. NOR ARE THEY TO BE ASSIGNED TO ANY THIRD PARTY WITHOUT FIRST OBTAINING SAID WRITTEN PERMISSION AND CONSENT.

**WEAVER HOMES**  
350 Waggoner Drive • Fayetteville, NC 28303  
910.630.2190 • 800.802.2190  
www.weaver-homes.com

PLEASE PROMPTLY NOTIFY US OF ANY CHANGES, OPTIMIZATIONS, OR REVISIONS TO THESE PLANS. ELEVATIONS, DESIGNS, MATERIALS AND DIMENSIONS ARE SUBJECT TO CHANGE WITHOUT NOTICE. SQUARE FOOTAGE AND DIMENSIONS ARE ESTIMATED AND NOT TO BE USED FOR CONSTRUCTION. ALL DIMENSIONS ARE TO FACE UNLESS OTHERWISE NOTED. HOUSE ON LOT WILL BE DETERMINED BY THE SITE PLAN AND PLOT PLAN. FLOOR PLANS AND ELEVATION RENDERINGS ARE ARTIST CONCEPTIONS. FLOOR PLANS ARE THE COPYRIGHTED PROPERTY OF WEAVER HOMES. ANY REPRODUCTION OR DISTRIBUTION OF THESE PLANS WITHOUT THE WRITTEN PERMISSION OF WEAVER HOMES IS STRICTLY PROHIBITED. SEE NEW HOME SALES CONSULTANT FOR CURRENT DETAILS. COPYRIGHT © 2020 WEAVER HOMES

**WEAVER HOMES**  
CAROLINA COLLECTION  
POPLAR DRIVE RIGHT

DATE: JULY 22, 2020  
REV.:  
SCALE: 1/4" = 1'-0"  
DRAWN BY: WG  
ENGINEERED BY:  
REVIEWED BY:

FIRST FLOOR  
ELECTRICAL  
PLAN

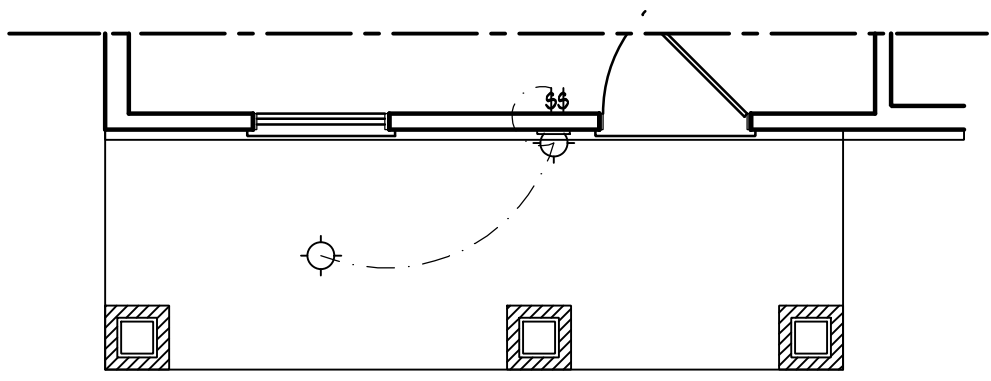
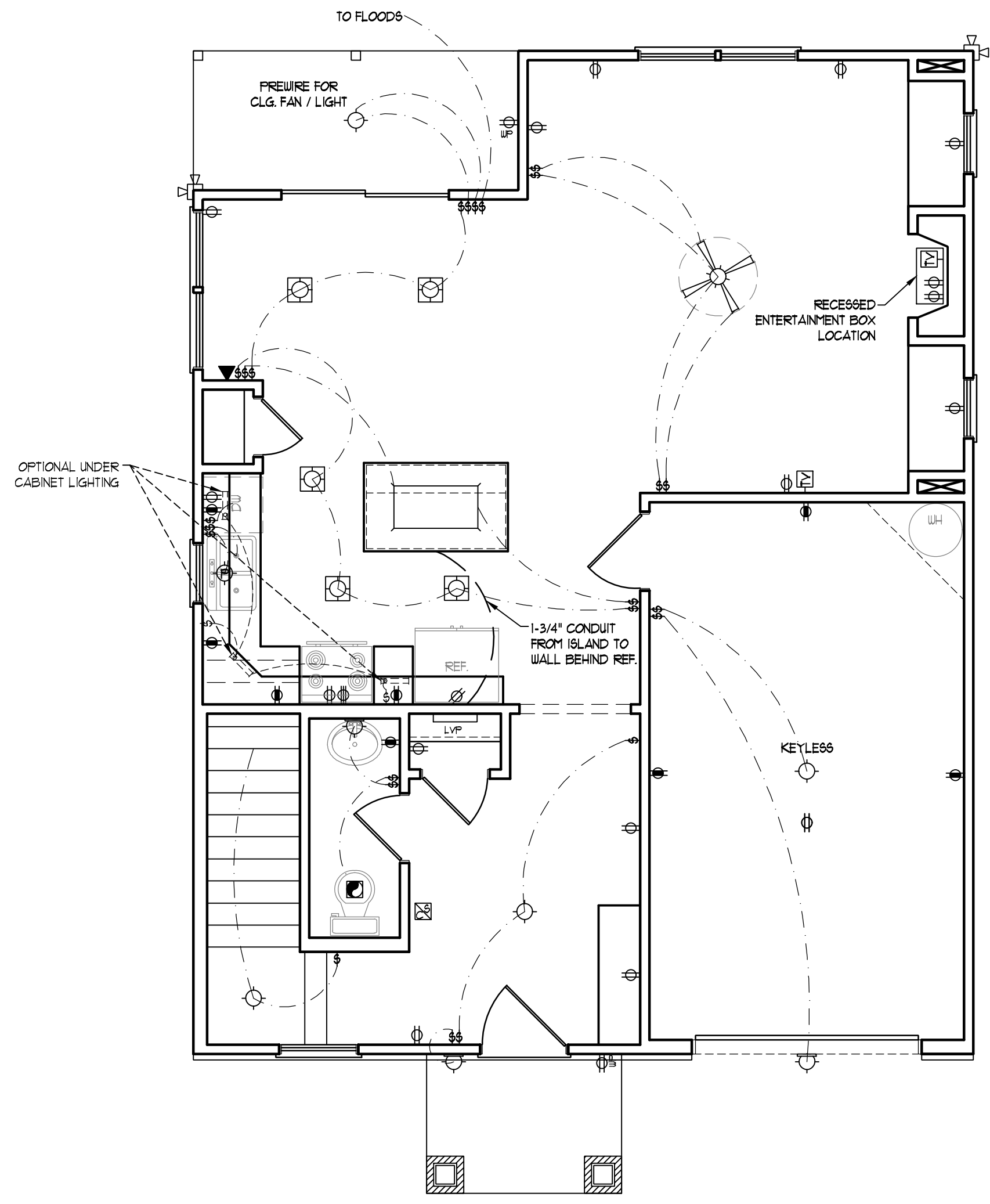
E-1

**ELECTRICAL LAYOUT NOTES:**

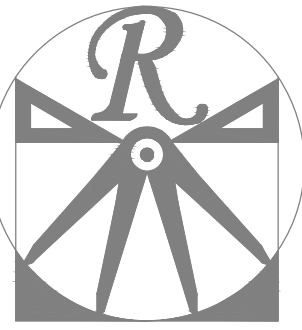
- 1.) BLOCK AND WIRE FOR ALL CEILING FANS PER PLAN.
- 2.) VANITY LIGHTS TO BE SET @ 90" AFF. (TYP.)
- 3.) ADDITIONAL EXTERIOR OUTLETS REQUIRED BY CODE TO BE LOCATED BY ELECTRICIAN.
- 4.) PLACE SWITCHES 8" (MIN) FROM ROUGH OPENINGS.

### ELECTRICAL LEGEND

- ⊕ 110 V OUTLET
- ⊕ 110 V GFI OUTLET
- ⊕ 110 V SWITCHED OUTLET
- ⊕ 110 V BASEBOARD OUTLET
- ⊕ 4-FLEX
- ⊕ COUNTER OR FLOOR MOUNTED
- ⊕ COUNTER OR FLOOR MOUNTED 110V GFI
- ⊕ WEATHERPROOF
- ⊕ 220 V OUTLET
- ⊕ 110 V DEDICATED CIRCUIT
- ⊕ 220 V DEDICATED CIRCUIT
- ⊕ SPECIAL PURPOSE (240 V, ETC.)
- ⊕ WALL MOUNT LIGHT
- ⊕ CEILING MOUNT LIGHT
- ⊕ PENDANT LIGHT
- ⊕ RECESSED CAN LIGHT
- ⊕ MINI CAN LIGHT
- ⊕ EYEBALL LIGHT
- ⊕ FLUORESCENT LIGHT
- ⊕ UNDERCABINET LIGHT
- ⊕ FLOOD LIGHT
- ⊕ SWITCH
- ⊕ DIMMER SWITCH
- ⊕ TELEPHONE
- ⊕ DATA
- ⊕ TELEPHONE AND DATA
- ⊕ TV CONNECTION
- ⊕ TV/ DATA
- ⊕ CONDUIT FOR COMPONENT WIRING
- ⊕ SPEAKER
- ⊕ 110 V SMOKE/ CH DETECTOR
- ⊕ 110 V SMOKE DETECTOR
- ⊕ EXHAUST FAN
- ⊕ LVP LOW VOLTAGE PANEL
- ⊕ ALARM1 ALARM PANEL
- ⊕ CEILING FAN
- ⊕ CEILING FAN W/ LIGHT



FRONT PORCH ELEVATIONS B&C



# RENAISSANCE

RESIDENTIAL DESIGN, INC.

RALEIGH, NC 27612

(919) 648-4128

WWW.RRD-CAROLINA.COM

The art of transforming your vision into reality.

RENAISSANCE RESIDENTIAL DESIGN, INC. RESERVES THE RIGHT TO MAKE MODIFICATIONS TO FLOOR PLANS, DIMENSIONS, MATERIALS, AND SPECIFICATIONS WITHOUT NOTICE. THESE DRAWINGS ARE FOR THE PURPOSE OF CONVEYING AN ARCHITECTURAL CONCEPT ONLY.

RENAISSANCE RESIDENTIAL DESIGN, INC. HEREBY EXPRESSLY RESERVES ITS COMMON LAW COPYRIGHT AND OTHER PROPERTY RIGHTS IN THESE PLANS. THESE PLANS AND DRAWINGS ARE NOT TO BE REPRODUCED, CHANGED, OR COPIED IN ANY FORM OR MANNER WITHOUT FIRST OBTAINING THE EXPRESS WRITTEN CONSENT OF RENAISSANCE RESIDENTIAL DESIGN, INC. NOR ARE THEY TO BE ASSIGNED TO ANY THIRD PARTY WITHOUT FIRST OBTAINING SAID WRITTEN PERMISSION AND CONSENT.

**WEAVER HOMES**  
350 Wagoner Drive • Fayetteville, NC 28303  
910.690.2100 • 800.802.2190  
www.weaver-homes.com

PLEASE PROMPTLY NOTIFY US OF ANY CHANGES TO THESE PLANS. ELEVATIONS, FINISHES, MATERIALS AND DIMENSIONS ARE SUBJECT TO CHANGE WITHOUT NOTICE. SQUARE FOOTAGE AND DIMENSIONS ARE ESTIMATED AND NOT TO BE USED FOR CONSTRUCTION. ALL DIMENSIONS ARE TO FACE UNLESS OTHERWISE NOTED. HOUSE OR LOT WILL BE DETERMINED BY THE SITE PLAN AND PLOT PLAN. FLOOR PLANS AND ELEVATION RENDERINGS ARE ARTIST CONCEPTIONS. FLOOR PLANS ARE THE COPYRIGHTED PROPERTY OF WEAVER HOMES. ANY REPRODUCTION, DISTRIBUTION, OR USE OF THESE PLANS WITHOUT THE WRITTEN PERMISSION OF WEAVER HOMES IS STRICTLY PROHIBITED. SEE NEW YORK SALES CONSULTANT FOR CURRENT DETAILS. COPYRIGHT © 2020 WEAVER HOMES

**WEAVER HOMES**  
CAROLINA COLLECTION  
POPLAR DRIVE RIGHT

DATE: JULY 22, 2020  
REV.:  
SCALE: 1/4" = 1'-0"  
DRAWN BY: WG  
ENGINEERED BY:  
REVIEWED BY:

SECOND FLOOR  
ELECTRICAL  
PLAN

E-2

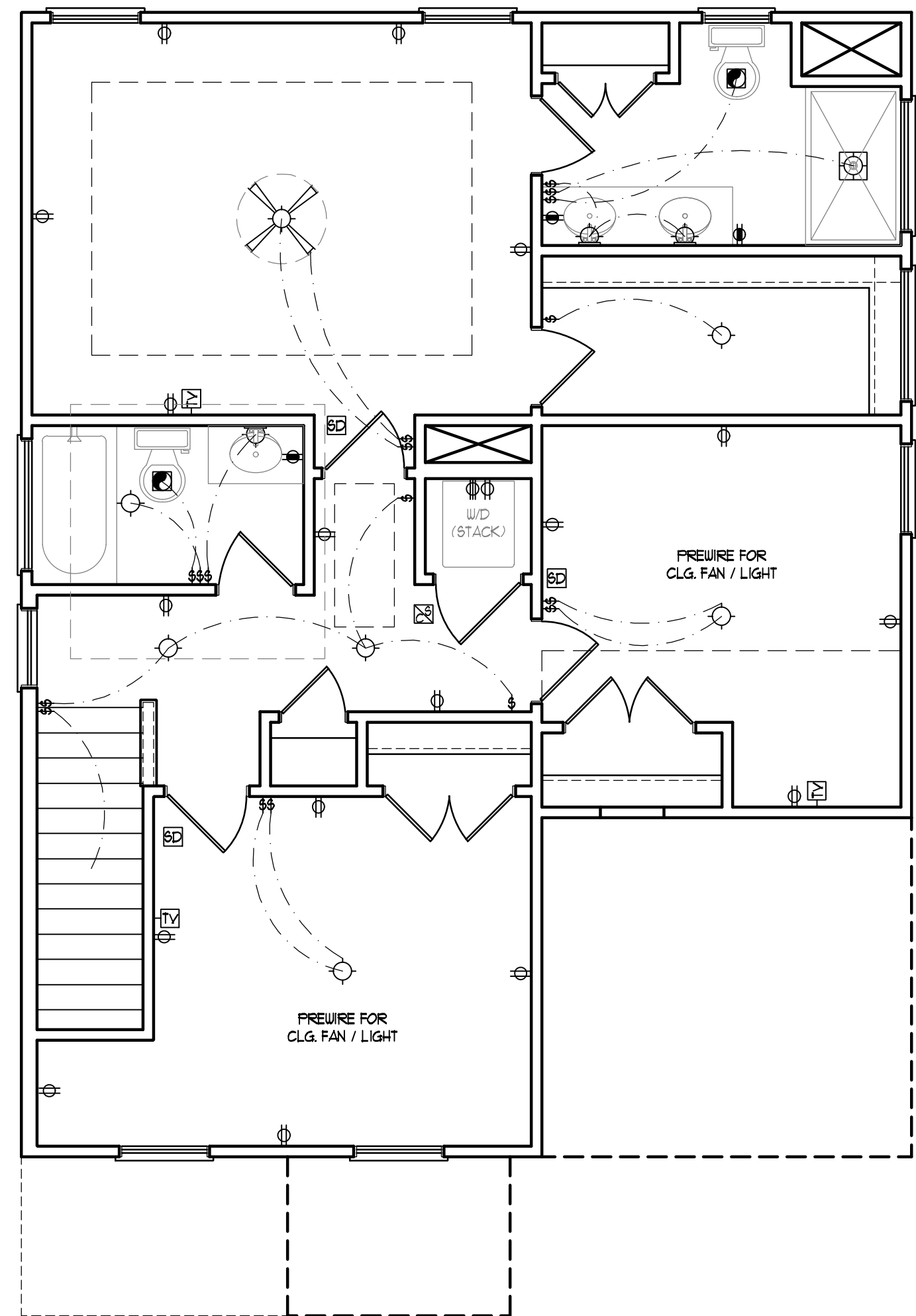
**ELECTRICAL LAYOUT NOTES:**

- 1.) BLOCK AND WIRE FOR ALL CEILING FANS PER PLAN.
- 2.) VANITY LIGHTS TO BE SET @ 90" AFF. (TYP.)
- 3.) ADDITIONAL EXTERIOR OUTLETS REQUIRED BY CODE TO BE LOCATED BY ELECTRICIAN.
- 4.) PLACE SWITCHES 8" (MIN) FROM ROUGH OPENINGS.

### ELECTRICAL LEGEND

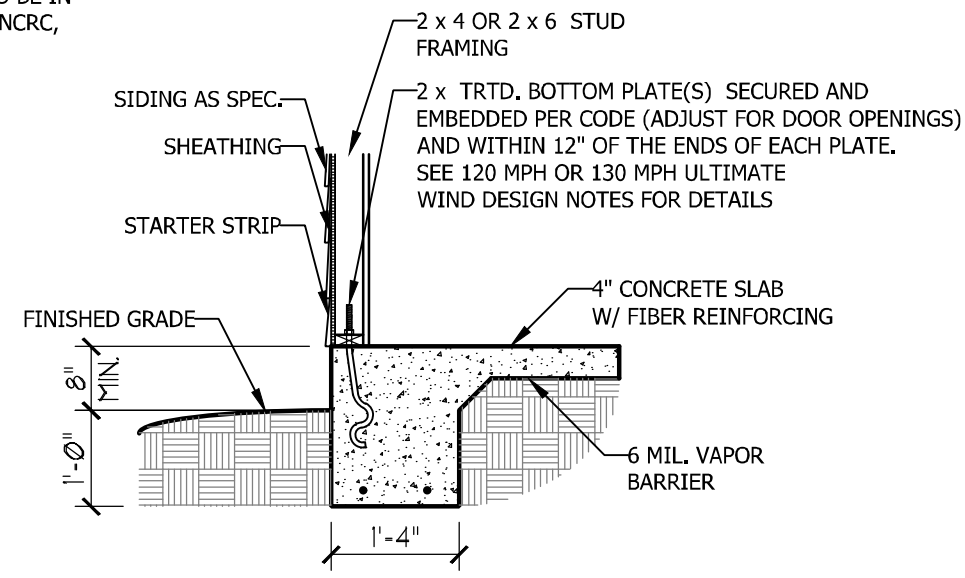
- 110 V OUTLET
- 110 V GFI OUTLET
- 110 V SWITCHED OUTLET
- 110 V BASEBOARD OUTLET
- 4-FLEX
- COUNTER OR FLOOR MOUNTED
- COUNTER OR FLOOR MOUNTED 110V GFI
- WEATHERPROOF
- 220 V OUTLET
- 110 V DEDICATED CIRCUIT
- 220 V DEDICATED CIRCUIT
- SPECIAL PURPOSE (240 V, ETC.)
- WALL MOUNT LIGHT
- CEILING MOUNT LIGHT
- PENDANT LIGHT
- RECESSED CAN LIGHT
- MINI CAN LIGHT
- EYEBALL LIGHT
- FLUORESCENT LIGHT
- UNDERCABINET LIGHT
- FLOOD LIGHT
- SWITCH
- DIMMER SWITCH
- TELEPHONE
- DATA
- TELEPHONE AND DATA
- TV CONNECTION
- TV/ DATA
- CONDUIT FOR COMPONENT WIRING
- SPEAKER
- 110 V SMOKE/ CO DETECTOR
- 110 V SMOKE DETECTOR
- EXHAUST FAN
- LOW VOLTAGE PANEL
- ALARM PANEL

- CEILING FAN
- CEILING FAN W/ LIGHT

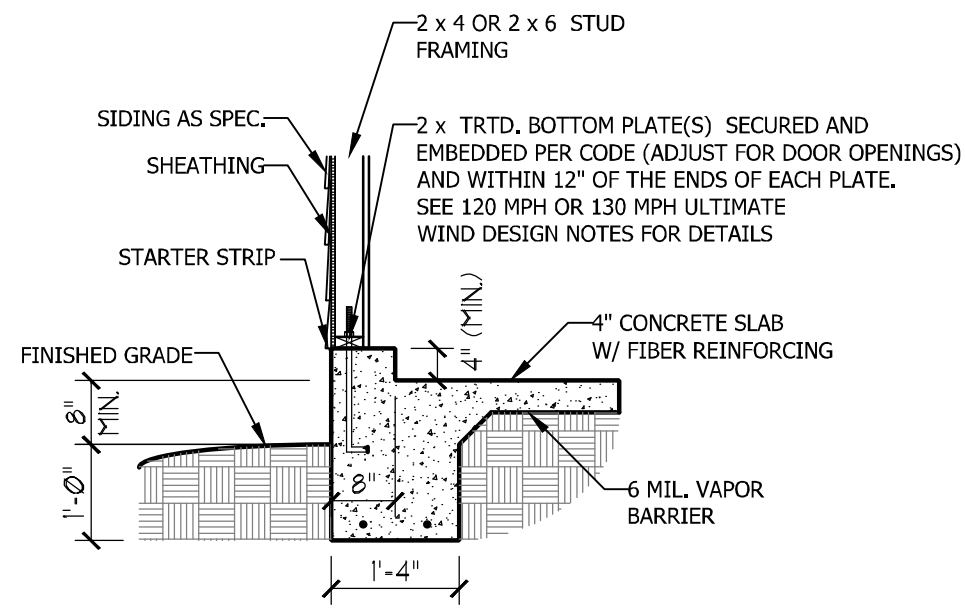


ULTIMATE DESIGN WIND SPEED NOTES FOR LESS THAN 30' MEAN ROOF HEIGHT:

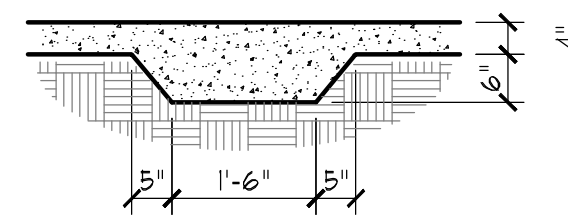
1. STRUCTURAL DESIGN PER NORTH CAROLINA RESIDENTIAL CODE, 2018 EDITION.
2. FOR 120 MPH WIND ZONES INSTALL 1/2" ANCHOR BOLTS 6'-0" O.C. AND WITHIN 1'-0" FROM END OF EACH CORNER. ANCHOR BOLTS MUST EXTEND A MINIMUM OF 7" INTO CONCRETE OR 15" INTO MASONRY. LOCATE BOLT WITHIN MIDDLE THIRD OF PLATE WIDTH.
3. FOR 130 MPH WIND ZONES INSTALL 1/2" ANCHOR BOLTS 4'-0" O.C. AND WITHIN 1'-0" FROM END OF EACH CORNER. ANCHOR BOLTS MUST EXTEND A MINIMUM OF 7" INTO CONCRETE OR 15" INTO MASONRY. LOCATE BOLT WITHIN MIDDLE THIRD OF PLATE WIDTH.
4. MEAN ROOF HEIGHT IS LESS THAN 30 FEET.
5. EXTERIOR WALLS DESIGNED FOR 120 OR 130 MPH WINDS.
6. INSTALL 7/16" OSB SHEATHING ON ALL EXTERIOR WALLS OF ALL STORIES IN ACCORDANCE WITH SECTION R602.10.3 OF THE NCRC, 2018 EDITION.
7. ENERGY EFFICIENCY COMPLIANCE AND INSULATION VALUES OF THE BUILDING TO BE IN ACCORDANCE WITH CHAPTER 11 OF THE NCRC, 2018 EDITION.



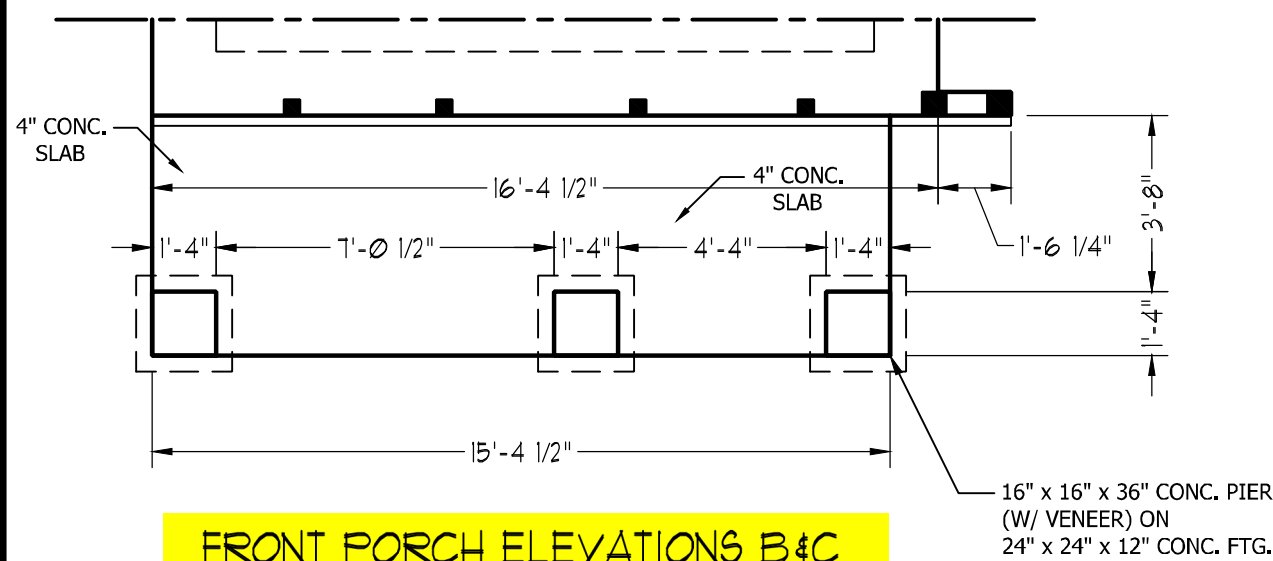
TYPICAL SLAB DETAIL



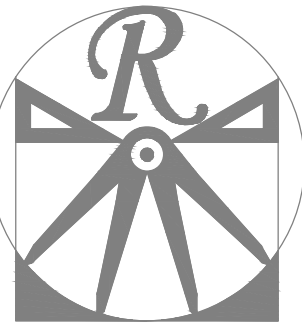
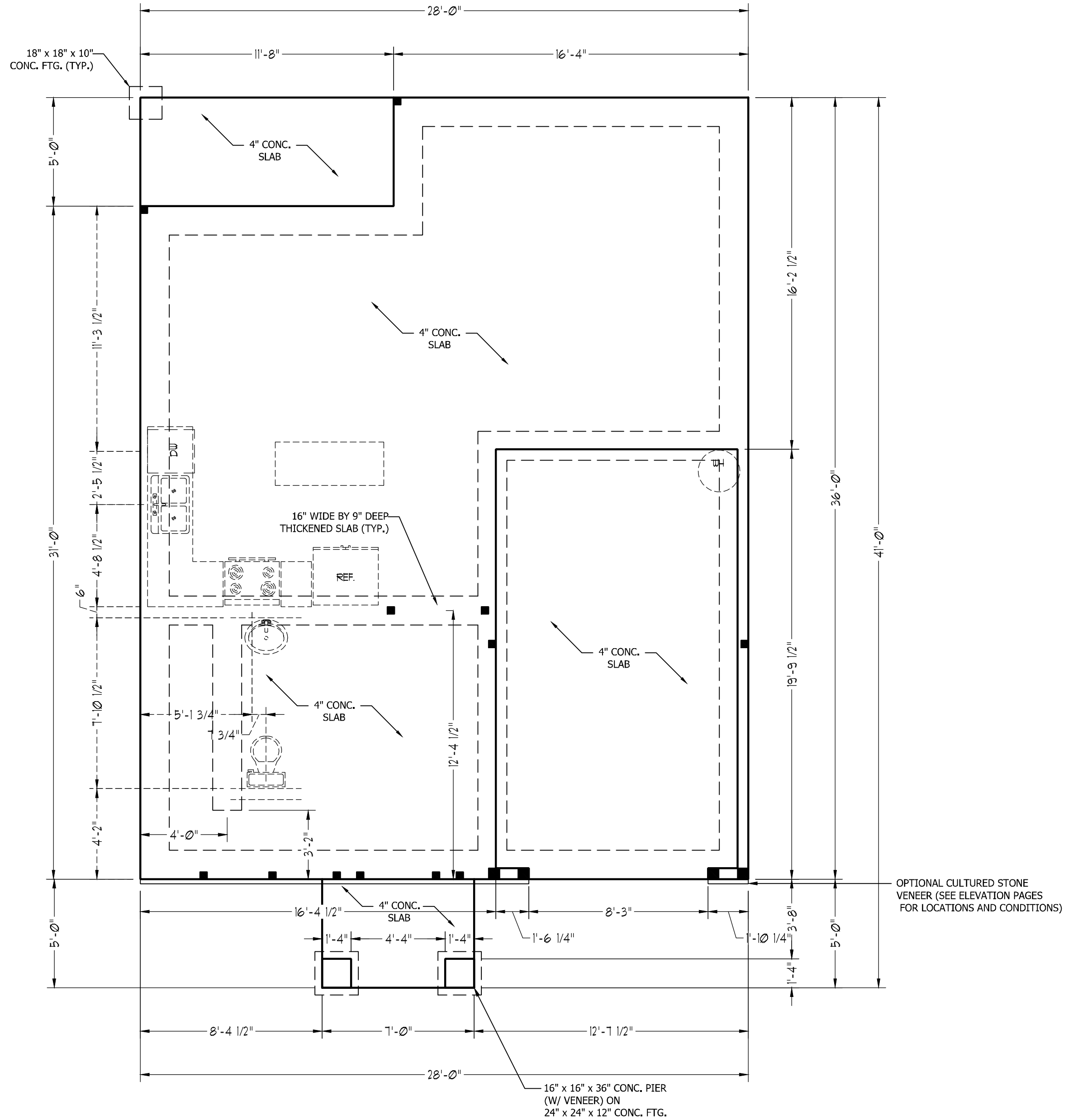
GARAGE CURB DETAIL



THICKENED SLAB DETAIL



FRONT PORCH ELEVATIONS B+C



RENAISSANCE

RESIDENTIAL DESIGN, INC.

RALEIGH, NC 27612

(919) 648-4128

WWW.RRD-CAROLINA.COM

The art of transforming your vision into reality.

RENAISSANCE RESIDENTIAL DESIGN, INC. RESERVES THE RIGHT TO MAKE MODIFICATIONS TO FLOOR PLANS, DIMENSIONS, MATERIALS, AND SPECIFICATIONS WITHOUT NOTICE. THESE DRAWINGS ARE FOR THE PURPOSE OF CONVEYING AN ARCHITECTURAL CONCEPT ONLY.

RENAISSANCE RESIDENTIAL DESIGN, INC. HEREBY EXPRESSLY RESERVES ITS COMMON LAW COPYRIGHT AND OTHER PROPERTY RIGHTS IN THESE PLANS. THESE PLANS AND DRAWINGS ARE NOT TO BE REPRODUCED, CHANGED, OR COPIED IN ANY FORM OR MANNER WITHOUT FIRST OBTAINING THE EXPRESS WRITTEN CONSENT OF RENAISSANCE RESIDENTIAL DESIGN, INC. NOR ARE THEY TO BE ASSIGNED TO ANY THIRD PARTY WITHOUT FIRST OBTAINING SAID WRITTEN PERMISSION AND CONSENT.

**WEAVER HOMES**  
350 Waggoner Drive • Fayetteville, NC 28303  
910.690.2100 • 800.892.2190  
www.weaver-homes.com

PRICE PROVISIONS INCENTIVES, FEES, TAXES, OPTIONS, FLOOR PLANS, ELEVATIONS, DESIGN MATERIALS AND DIMENSIONS ARE SUBJECT TO CHANGE WITHOUT NOTICE. SQUARE FOOTAGE AND DIMENSIONS ARE ESTIMATED AND HOUSE ON LOT WILL BE DETERMINED BY THE SITE PLAN AND PLOT PLAN. FLOOR PLANS AND ELEVATION RENDERINGS ARE ARTIST CONCEPTIONS. FLOOR PLANS ARE THE COPYRIGHTED PROPERTY OF WEAVER HOMES AND ARE NOT TO BE REPRODUCED, COPIED, OR TRANSMITTED IN ANY FORM OR BY ANY MEANS, ELECTRONIC OR MECHANICAL, INCLUDING PHOTOCOPYING, RECORDING, OR BY ANY INFORMATION STORAGE AND RETRIEVAL SYSTEM. WITHOUT THE WRITTEN PERMISSION OF WEAVER HOMES. © 2020 WEAVER HOMES

WEAVER HOMES  
CAROLINA COLLECTION  
POPLAR DRIVE RIGHT

DATE: JULY 22, 2020

REV.:

SCALE: 1/4" = 1'-0"

DRAWN BY: WG

ENGINEERED BY:

REVIEWED BY:

MONO SLAB FOUNDATION PLAN

S-1

MASONRY STEM WALL SPECIFICATIONS				
WALL HEIGHT (FEET)	MASONRY WALL TYPE			
	8" CMU	4" BRICK AND 4" CMU	4" BRICK AND 8" CMU	12" CMU
2' OR LESS	UNGROUTED	GROUT SOLID	UNGROUTED	UNGROUTED
3'	UNGROUTED	GROUT SOLID	UNGROUTED	UNGROUTED
4'	GROUT SOLID	GROUT SOLID w/ #4 REBAR @ 48" O.C.	GROUT SOLID	GROUT SOLID w/ #4 REBAR @ 64" O.C.
5'	GROUT SOLID w/ #4 REBAR @ 36" O.C.	N/A	GROUT SOLID w/ #4 REBAR @ 36" O.C.	GROUT SOLID w/ #4 REBAR @ 64" O.C.
6'	GROUT SOLID w/ #4 REBAR @ 24" O.C.	N/A	GROUT SOLID w/ #4 REBAR @ 24" O.C.	GROUT SOLID w/ #4 REBAR @ 64" O.C.
7' OR MORE	ENGINEERED BASED ON SITE CONDITIONS			

**STRUCTURAL NOTES:**

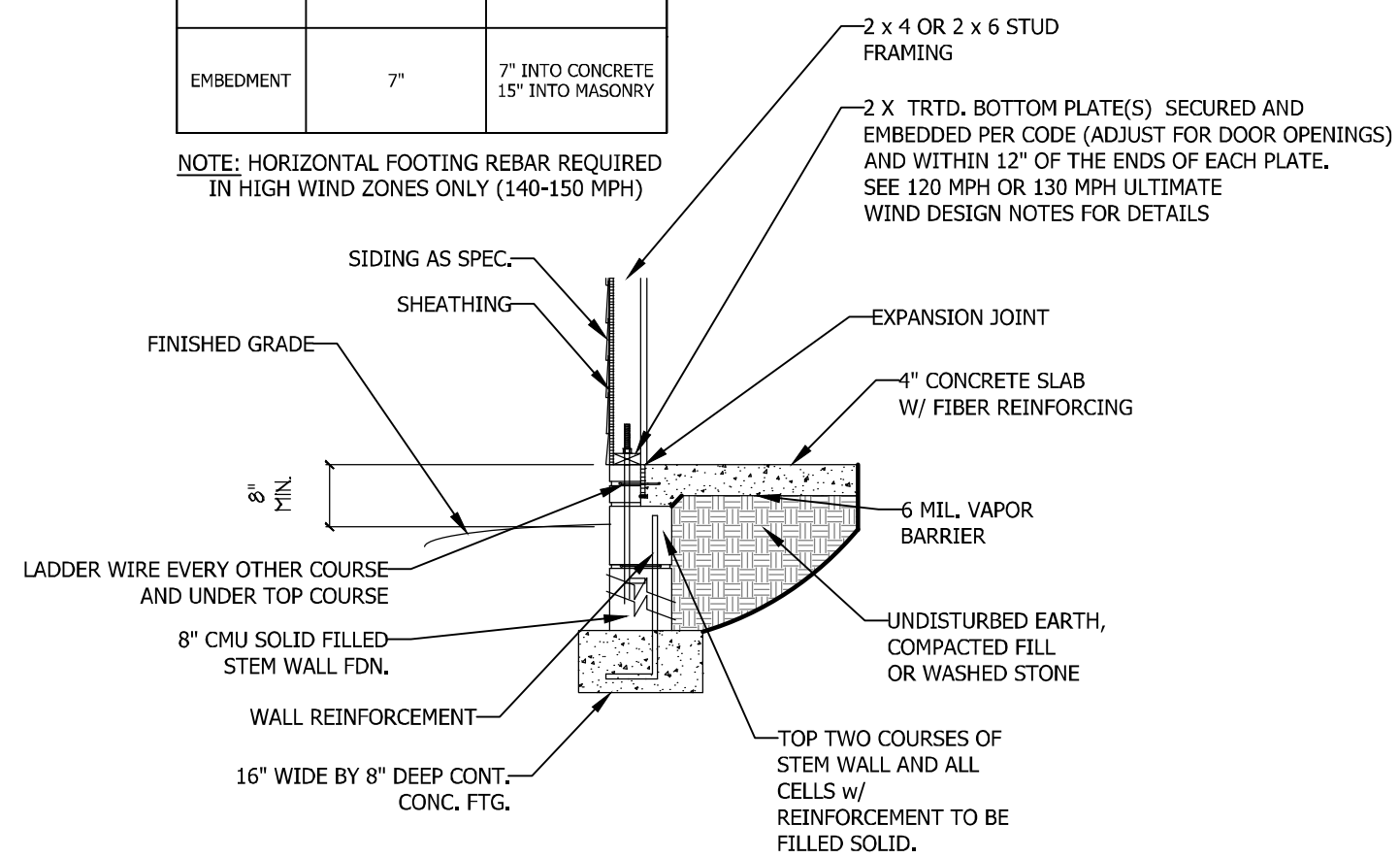
- TABLE ABOVE APPLIES TO HOUSE FOUNDATION ONLY. TABLE DOES NOT APPLY TO GARAGE FOUNDATION NOT COMMON TO HOUSE.
- TIE MULTIPLE WYTHES TOGETHER WITH LADDER WIRE @ 16" O.C. VERTICALLY.
- WALL HGT. IS MEASURED FROM TOP OF FOOTING TO TOP OF WALL.
- PREP SLAB PER R506.2.1 AND R505.2.2 BASE AND EXCEPTION OF THE 2018 NCRC
- MINIMUM 24" LAP SPLICE LENGTH.
- BACKFILL OF CLEAN #57/ #67 WASHED STONE IS PERMITTED.
- BACKFILL OF WELL DRAINED SAND-GRAVEL MIXTURE SOILS (45 PSF/FT BELOW GRADE) CLASSIFIED AS GROUP 1 ACCORDING TO UNIFIED SOILS CLASSIFICATION SYSTEM IN ACCORDANCE WITH TABLE R405.1 OF THE 2018 NCRC ARE ALLOWABLE.
- LOCATE REBAR IN CENTER OF FOUNDATION WALL.
- WHERE REQUIRED, FILL BLOCK SOLID WITH TYPE "S" MORTAR OR 3000 PSI GROUT. USE OF "LOW LIFT GROUTING" METHOD REQUIRED WHEN FILLING WALLS WITH GROUT AT HEIGHTS OF 5' AND GREATER.

**ULTIMATE DESIGN WIND SPEED NOTES FOR LESS THAN 30' MEAN ROOF HEIGHT:**

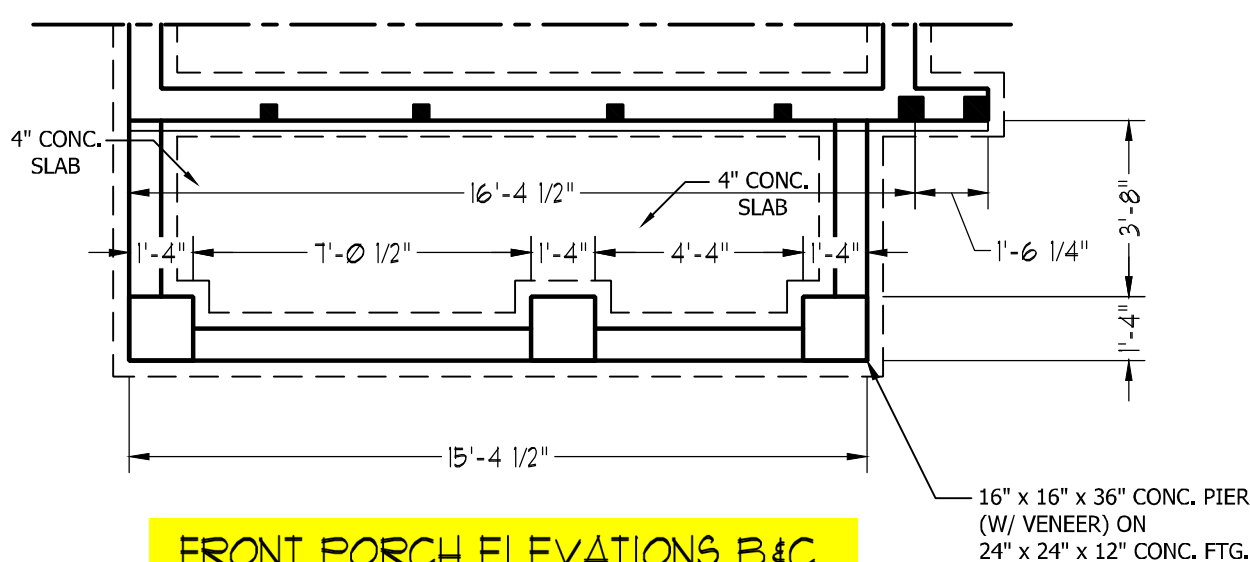
- STRUCTURAL DESIGN PER NORTH CAROLINA RESIDENTIAL CODE, 2018 EDITION.
- FOR 120 MPH WIND ZONES INSTALL 1/2" ANCHOR BOLTS 6'-0" O.C. AND WITHIN 1'-0" FROM END OF EACH CORNER. ANCHOR BOLTS MUST EXTEND A MINIMUM OF 7" INTO CONCRETE OR 15" INTO MASONRY. LOCATE BOLT WITHIN MIDDLE THIRD OF PLATE WIDTH.
- FOR 130 MPH WIND ZONES INSTALL 1/2" ANCHOR BOLTS 4'-0" O.C. AND WITHIN 1'-0" FROM END OF EACH CORNER. ANCHOR BOLTS MUST EXTEND A MINIMUM OF 7" INTO CONCRETE OR 15" INTO MASONRY. LOCATE BOLT WITHIN MIDDLE THIRD OF PLATE WIDTH.
- MEAN ROOF HEIGHT IS LESS THAN 30 FEET.
- EXTERIOR WALLS DESIGNED FOR 120 OR 130 MPH WINDS.
- INSTALL 7/16" OSB SHEATHING ON ALL EXTERIOR WALLS OF ALL STORIES IN ACCORDANCE WITH SECTION R602.10.3 OF THE NCRC, 2018 EDITION.
- ENERGY EFFICIENCY COMPLIANCE AND INSULATION VALUES OF THE BUILDING TO BE IN ACCORDANCE WITH CHAPTER 11 OF THE NCRC, 2018 EDITION.

ANCHOR SPACING AND EMBEDMENT		
WIND ZONE	120 MPH	130 MPH
SPACING	6'-0" O.C.	4'-0" O.C.
EMBEDMENT	7"	7" INTO CONCRETE 15" INTO MASONRY

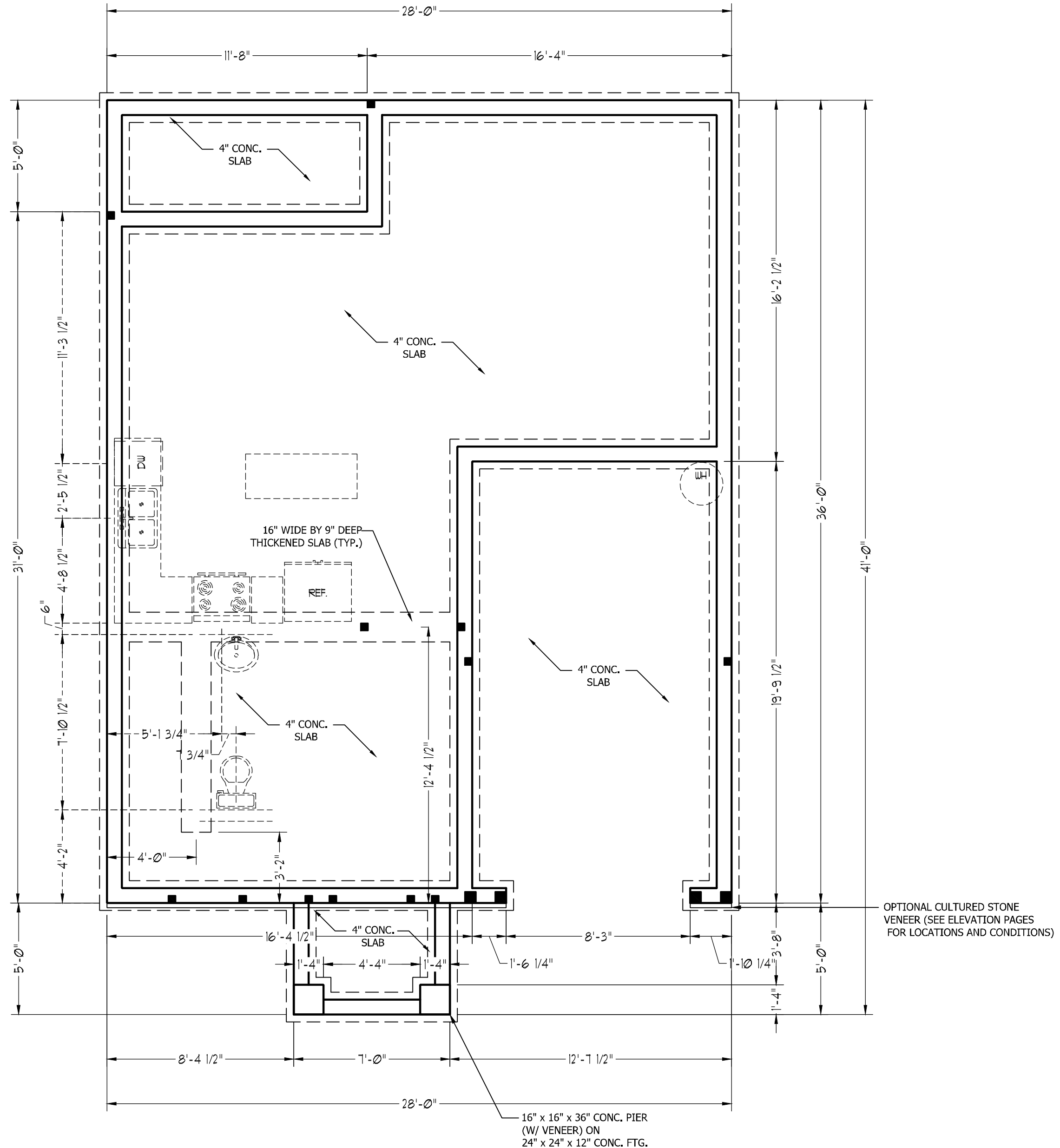
NOTE: HORIZONTAL FOOTING REBAR REQUIRED IN HIGH WIND ZONES ONLY (140-150 MPH)



**STEM WALL FDN. DETAIL**



**FRONT PORCH ELEVATIONS B+C**



**RENAISSANCE**  
RESIDENTIAL DESIGN, INC.  
RALEIGH, NC 27612  
(919) 648-4128

WWW.RRD-CAROLINA.COM  
The art of transforming your vision into reality.

RENAISSANCE RESIDENTIAL DESIGN, INC. RESERVES THE RIGHT TO MAKE MODIFICATIONS TO FLOOR PLANS, DIMENSIONS, MATERIALS, AND SPECIFICATIONS WITHOUT NOTICE. THESE DRAWINGS ARE FOR THE PURPOSE OF CONVEYING AN ARCHITECTURAL CONCEPT ONLY.

RENAISSANCE RESIDENTIAL DESIGN, INC. HEREBY EXPRESSLY RESERVES ITS COMMON LAW COPYRIGHT AND OTHER PROPERTY RIGHTS IN THESE PLANS. THESE PLANS AND DRAWINGS ARE NOT TO BE REPRODUCED, CHANGED, OR COPIED IN ANY FORM OR MANNER WITHOUT FIRST OBTAINING THE EXPRESS WRITTEN CONSENT OF RENAISSANCE RESIDENTIAL DESIGN, INC. NOR ARE THEY TO BE ASSIGNED TO ANY THIRD PARTY WITHOUT FIRST OBTAINING SAID WRITTEN PERMISSION AND CONSENT.

**WEAVER HOMES**  
350 Wagoner Drive • Fayetteville, NC 28303  
910.630.2190 • 800.802.2190  
www.weaver-homes.com

PRICES, PROMOTIONS, INCENTIVES, FEES, TAXES, OPTIONS, FLOOR PLANS, ELEVATIONS, DESIGNS, MATERIALS AND DIMENSIONS ARE SUBJECT TO CHANGE WITHOUT NOTICE. SQUARE FOOTAGE AND DIMENSIONS ARE ESTIMATED AND HOUSE ON LOT WILL BE DETERMINED BY THE SITE PLAN AND PLOT PLAN. FLOOR PLANS AND ELEVATION RENDERINGS ARE ARTIST CONCEPTIONS. FLOOR PLANS ARE THE COPYRIGHTED PROPERTY OF WEAVER HOMES. ANY USE, REPRODUCTION, OR DISTRIBUTION OF THESE PLANS WITHOUT THE WRITTEN PERMISSION OF WEAVER HOMES IS PROHIBITED. SEE NEW HOME SALES CONSULTANT FOR CURRENT DETAILS. COPYRIGHT © 2020 WEAVER HOMES

**WEAVER HOMES**  
CAROLINA COLLECTION  
POPLAR DRIVE RIGHT

DATE: JULY 22, 2020  
REV.:  
SCALE: 1/4" = 1'-0"  
DRAWN BY: WG  
ENGINEERED BY:  
REVIEWED BY:

STEMWALL SLAB FOUNDATION PLAN

S-1

**STRUCTURAL NOTES:**

1. ALL FRAMING LUMBER TO BE SPF #2 (UNO). ALL TREATED LUMBER TO BE SYP #2 (UNO.)
2. ALL LOAD BEARING HEADERS TO BE (2) 2 x 6 (UNO).
3. INSTALL AN EXTRA JOIST UNDER WALLS PARALLEL TO FLOOR JOISTS
4. WINDOW AND DOOR HEADERS TO BE SUPPORTED W/ (1) JACK STUD AND (1) KING STUD EA. END (UNO.). SEE TABLE R602.7.5 FOR ADDITIONAL KING STUD REQUIREMENTS.
5. SQUARES DENOTE POINT LOADS WHICH REQUIRE SOLID BLOCKING TO GIRDER OR FOUNDATION. ALL SQUARES TO BE (2) STUDS (UNO.)
6. ALL 4 X 4 POSTS SHALL BE ANCHORED TO SLABS W/ SIMPSON ABU44 POST BASES (OR EQUAL) AND 6 X 6 POSTS W/ ABU66 POST BASES (OR EQUAL) (UNO). ALL 4 X 4 AND 6 X 6 POSTS TO BE INSTALLED WITH 700 LB CAPACITY UPLIFT CONNECTORS AT TOP (UNO.)
7. FOR FIBERGLASS, ALUMINUM, OR COLUMN ENG. BY OTHERS, SECURE TO SLAB W/ (2) METAL ANGLES USING 2" CONC. SCREWS. FASTEN ANGLES TO COLUMNS W/ 1/4" THROUGH BOLTS W/ NUTS AND WASHERS. LOCATE ANGLES ON OPPOSITE SIDES OF COLUMN. THROUGH BOLTS MUST BE INSTALLED PRIOR TO SETTING COLUMN.

**BRACE WALL PANEL NOTES:**

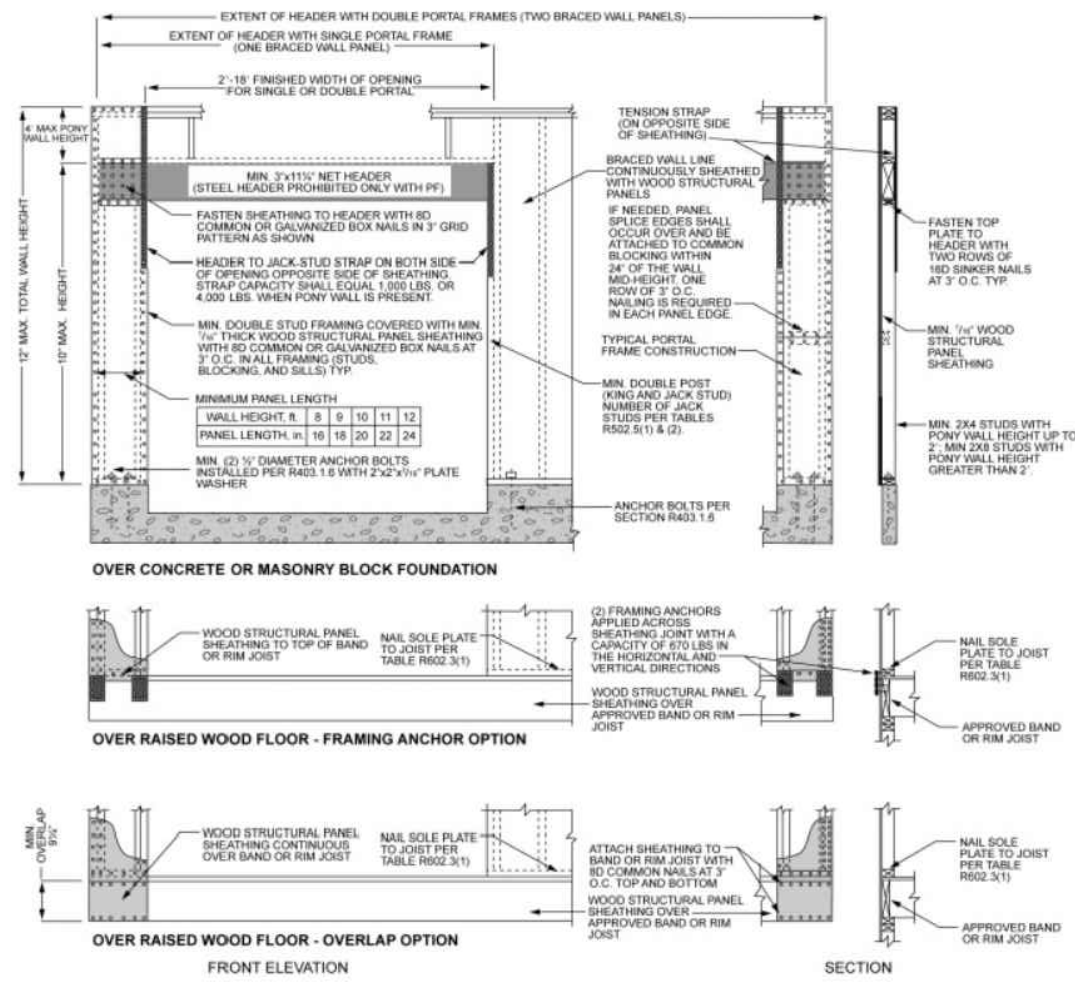
**EXTERIOR WALLS:** ALL EXTERIOR WALLS TO BE SHEATHED WITH CS-WSP OR CS-SFB IN ACCORDANCE WITH SECTION R602.10.3 UNLESS NOTED OTHERWISE.

**REQUIRED LENGTH OF BRACING:** REQUIRED BRACE WALL LENGTH FOR EACH SIDE OF THE CIRCUMSCRIBED RECTANGLE ARE INTERPOLATED PER TABLE R602.10.3. METHODS CS-WSP AND CS-SFB CONTRIBUTE THEIR ACTUAL LENGTH. METHOD GB CONTRIBUTES 0.5 ITS ACTUAL LENGTH. METHOD PF CONTRIBUTES 1.5 TIMES ITS ACTUAL LENGTH.

**GYPSUM:** ALL INTERIOR SIDES OF EXTERIOR WALLS AND BOTH SIDES OF INTERIOR WALLS TO HAVE 1/2" GYPSUM INSTALLED. WHEN NOT USING METHOD GB GYPSUM TO BE FASTENED PER TABLE R702.3.5. METHOD GB TO BE FASTENED PER TABLE R602.10.1.

**HD:** 800 LBS HOLD DOWN DEVICE FASTENED TO THE EDGE OF THE BRACE WALL PANEL NEAREST TO THE CORNER

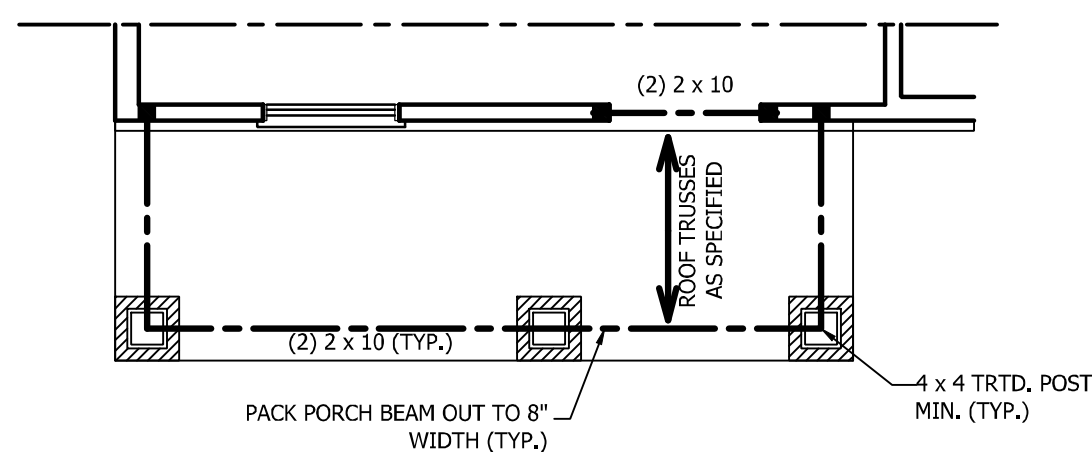
**METHODS:** PER TABLE R602.10.1



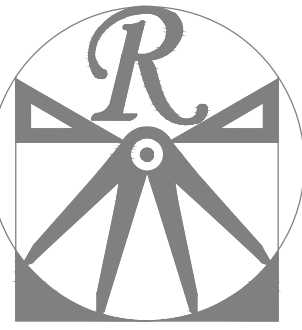
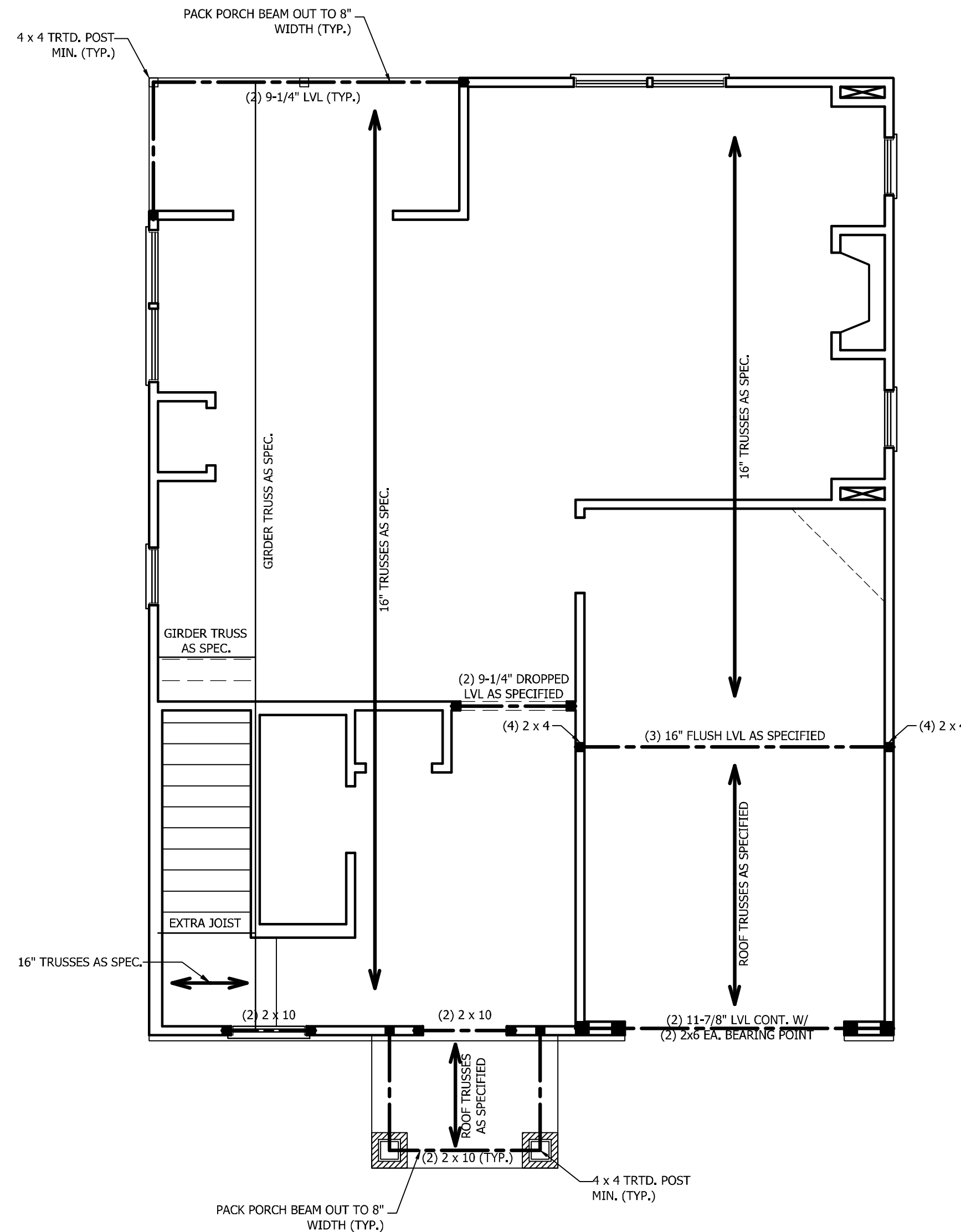
inch = 25.4 mm, 1 foot = 305 mm, 1 lb = 4.45 N.

**FIGURE R602.10.1**

**METHOD PF—PORTAL FRAME CONSTRUCTION**



**FRONT PORCH ELEVATIONS B & C**



**RENAISSANCE**

RESIDENTIAL DESIGN, INC.

RALEIGH, NC 27612  
(919) 648-4128

WWW.RRD-CAROLINA.COM

RENAISSANCE RESIDENTIAL DESIGN, INC. RESERVES THE RIGHT TO MAKE MODIFICATIONS TO FLOOR PLANS, DIMENSIONS, MATERIALS, AND SPECIFICATIONS WITHOUT NOTICE. THESE DRAWINGS ARE FOR THE PURPOSE OF CONVEYING AN ARCHITECTURAL CONCEPT ONLY.

RENAISSANCE RESIDENTIAL DESIGN, INC. HEREBY EXPRESSLY RESERVES ITS COMMON LAW COPYRIGHT AND OTHER PROPERTY RIGHTS IN THESE PLANS. THESE PLANS AND DRAWINGS ARE NOT TO BE REPRODUCED, CHANGED, OR COPIED IN ANY FORM OR MANNER WITHOUT FIRST OBTAINING THE EXPRESS WRITTEN CONSENT OF RENAISSANCE RESIDENTIAL DESIGN, INC. NOR ARE THEY TO BE ASSIGNED TO ANY THIRD PARTY WITHOUT FIRST OBTAINING SAID WRITTEN PERMISSION AND CONSENT.

**WEAVER HOMES**  
350 Waggoner Drive • Fayetteville, NC 28303  
910.630.2100 • 800.802.2190  
www.weaver-homes.com

PLEASE PROVIDE THE FOLLOWING INFORMATION TO THE ARCHITECT: THESE PLANS, ELEVATIONS, DETAILS, MATERIALS AND DIMENSIONS ARE SUBJECT TO CHANGE WITHOUT NOTICE. SQUARE FOOTAGE AND DIMENSIONS ARE ESTIMATED AND HOUSE OR LOT WILL BE DETERMINED BY THE SITE PLAN AND PLOT PLAN. FLOOR PLANS AND ELEVATION RENDERINGS ARE ARTIST CONCEPTIONS. FLOOR PLANS ARE THE COPYRIGHTED PROPERTY OF WEAVER HOMES. ALL RIGHTS ARE RESERVED. PROHIBITED: SEE NEW YORK SALES CONSULTANT FOR CURRENT DETAILS. COPYRIGHT © 2020 WEAVER HOMES

**WEAVER HOMES**  
CAROLINA COLLECTION  
POPLAR DRIVE RIGHT

DATE: JULY 22, 2020

REV.:

SCALE: 1/4" = 1'-0"

DRAWN BY: WG

ENGINEERED BY:

REVIEWED BY:

SECOND FLOOR  
FRAMING PLAN

S-2



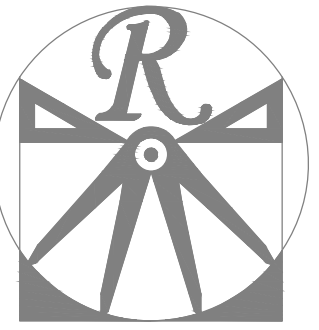
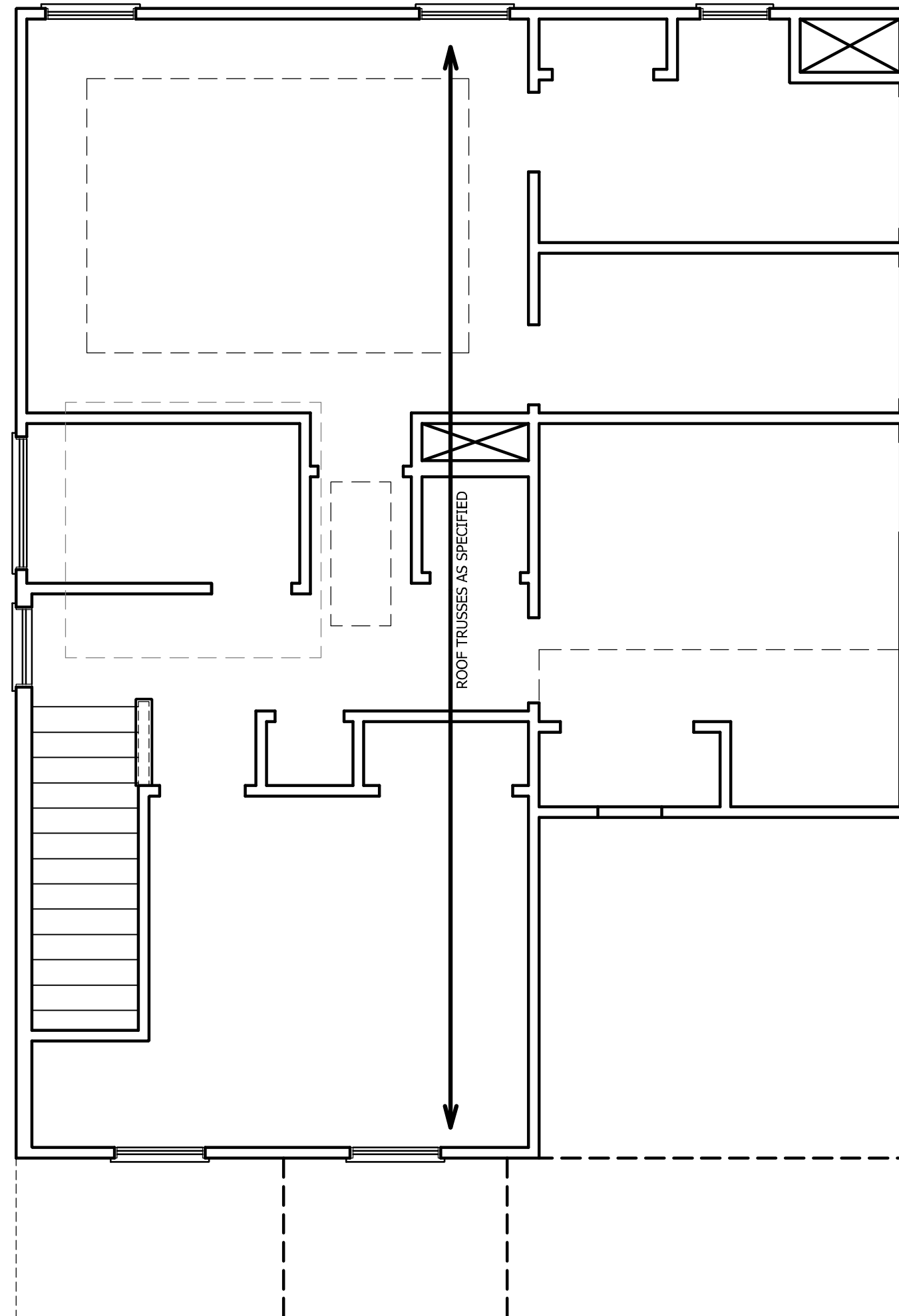
TABLE R602.7.5  
MINIMUM NUMBER OF FULL HEIGHT STUDS  
AT EACH END OF HEADERS IN EXTERIOR WALLS

HEADER SPAN (FEET)	MAXIMUM STUD SPACING (INCHES) (PER TABLE R602.3(5))	
	16	24
UP TO 3'	1	1
4'	2	1
8'	3	2
12'	5	3
16'	6	4

**STRUCTURAL NOTES:**

1. ALL FRAMING LUMBER TO BE SPF #2 (UNO). ALL TREATED LUMBER TO BE SYP #2 (UNO).
2. ALL LOAD BEARING HEADERS TO BE (2) 2 x 6 (UNO).
3. WINDOW AND DOOR HEADERS TO BE SUPPORTED w/ (1) JACK STUD AND (1) KING STUD EA. END (UNO.). SEE TABLE R602.7.5 FOR ADDITIONAL KING STUD REQUIREMENTS.
4. SQUARES DENOTE POINT LOADS WHICH REQUIRE SOLID BLOCKING TO GIRDER OR FOUNDATION. ALL SQUARES TO BE (2) STUDS (UNO.)

DSP - DOUBLE STUD POCKET  
TSP - TRIPLE STUD POCKET



**RENAISSANCE**  
RESIDENTIAL DESIGN, INC.

RALEIGH, NC 27612  
(919) 648-4128  
WWW.RRD-CAROLINA.COM

The art of transforming your vision into reality.

RENAISSANCE RESIDENTIAL DESIGN, INC., RESERVES THE RIGHT TO MAKE MODIFICATIONS TO FLOOR PLANS, DIMENSIONS, MATERIALS, AND SPECIFICATIONS WITHOUT NOTICE. THESE DRAWINGS ARE FOR THE PURPOSE OF CONVEYING AN ARCHITECTURAL CONCEPT ONLY.

RENAISSANCE RESIDENTIAL DESIGN, INC., HEREBY EXPRESSLY RESERVES ITS COMMON LAW COPYRIGHT AND OTHER PROPERTY RIGHTS IN THESE PLANS. THESE PLANS AND DRAWINGS ARE NOT TO BE REPRODUCED, CHANGED, OR COPIED IN ANY FORM OR MANNER WITHOUT FIRST OBTAINING THE EXPRESS WRITTEN CONSENT OF RENAISSANCE RESIDENTIAL DESIGN, INC. NOR ARE THEY TO BE ASSIGNED TO ANY THIRD PARTY WITHOUT FIRST OBTAINING SAID WRITTEN PERMISSION AND CONSENT.

**WEAVER**  
**HOMES**  
350 Waggoner Drive • Fayetteville, NC 28303  
910.630.2100 • 800.892.2190  
www.weaver-homes.com

PRICES, PROMOTIONS, INCENTIVES, FEATURES, OPTIONS, FLOOR PLANS, ELEVATIONS, DESIGNS, MATERIALS AND DIMENSIONS ARE SUBJECT TO CHANGE WITHOUT NOTICE. SQUARE FOOTAGE AND DIMENSIONS ARE ESTIMATED AND NOT TO BE USED FOR CONSTRUCTION. HOUSE ON LOT WILL BE DETERMINED BY THE SITE PLAN AND PLOT PLAN. FLOOR PLANS AND ELEVATION RENDERINGS ARE ARTIST CONCEPTIONS. FLOOR PLANS ARE THE COPYRIGHTED PROPERTY OF WEAVER HOMES. ANY REPRODUCTION, PHOTOCOPYING, OR ANY USE OF THESE DRAWINGS IS PROHIBITED. SEE NEW YORK SALES CONSULTANT FOR CURRENT DETAILS. COPYRIGHT © 2020 WEAVER HOMES

**WEAVER HOMES**  
**CAROLINA COLLECTION**  
**POPLAR DRIVE RIGHT**

DATE: JULY 22, 2020  
REV.:  
SCALE: 1/4" = 1'-0"  
DRAWN BY: WG  
ENGINEERED BY:  
REVIEWED BY:

ATTIC FLOOR  
FRAMING PLAN

S-3

**STRUCTURAL NOTES:**

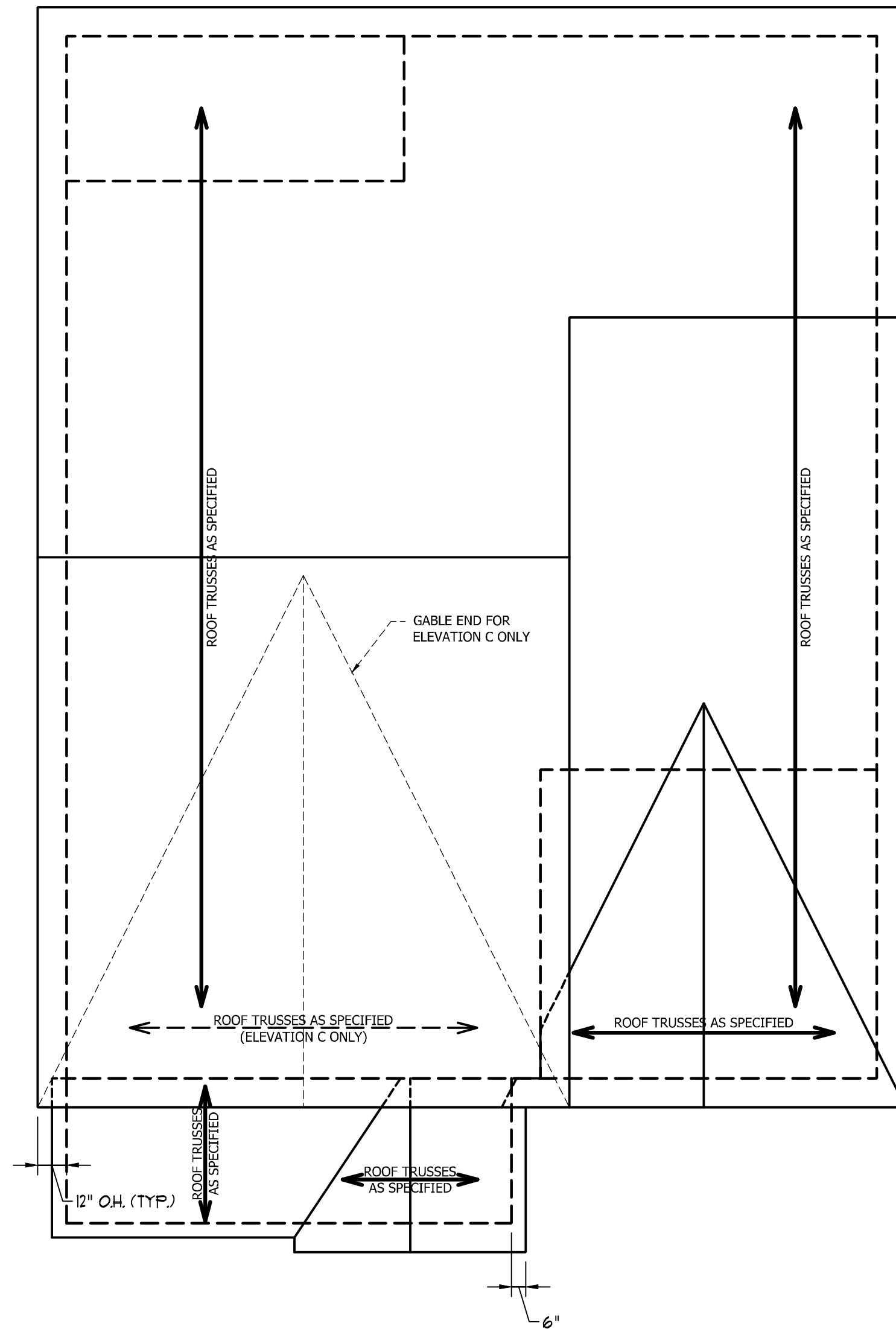
1. ALL FRAMING LUMBER TO BE #2 SPF (UNO).
2. HIP SPLICES ARE TO BE SPACED A MIN. OF 8'-0". FASTEN MEMBERS WITH THREE ROWS OF 12d NAILS @ 16" O.C. (TYP.)
3. STICK FRAME OVER-FRAMED ROOF SECTIONS W/ 2 x 8 RIDGES, 2 x 6 RAFTERS @ 16" O.C. AND FLAT 2 x 10 VALLEYS OR USE VALLEY TRUSSES.
4. FASTEN FLAT VALLEYS TO RAFTERS OR TRUSSES WITH SIMPSON H2.5A HURRICANE TIES @ 32" O.C. MAX. PASS HURRICANE TIES THROUGH NOTCH IN ROOF SHEATHING. EACH RAFTER IS TO BE FASTENED TO THE FLAT VALLEY WITH A MIN. OF (6) 12d TOE NAILS.
5. REFER TO SECTION R802.11 OF THE 2018 NCRC FOR REQUIRED UPLIFT RESISTANCE AT RAFTERS AND TRUSSES.

**ATTIC VENT CALCULATION:**

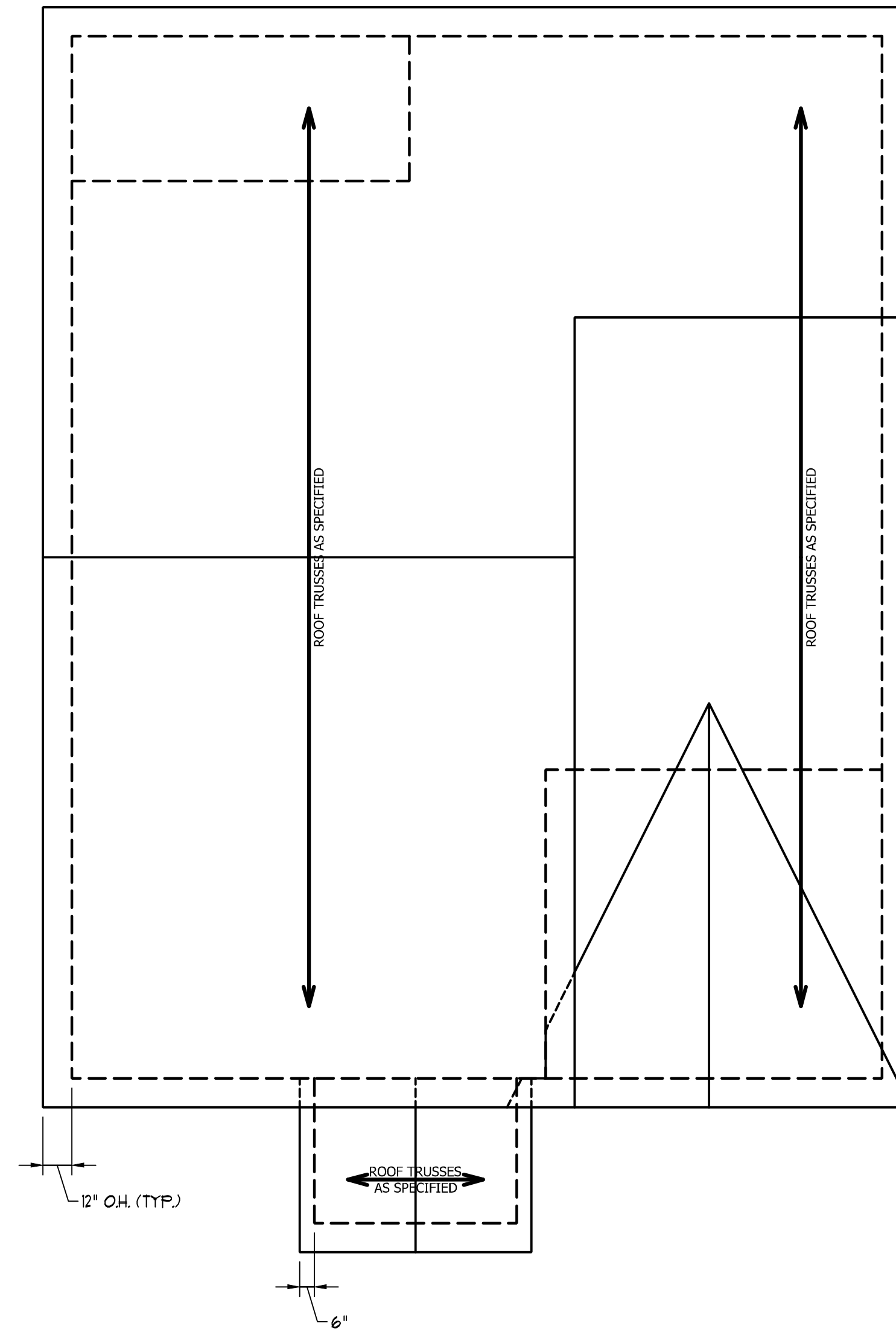
1218 SQ. FT. OF ATTIC DIVIDED BY 150 REQUIRES 8.1 SQ. FT. OF NET FREE VENTILATING AREA (MIN.).

**ATTIC VENT CALCULATION:**

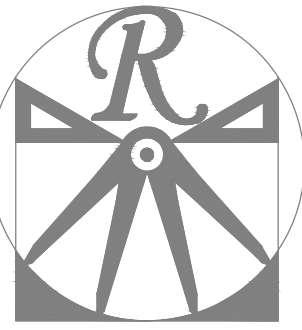
1180 SQ. FT. OF ATTIC DIVIDED BY 150 REQUIRES 7.9 SQ. FT. OF NET FREE VENTILATING AREA (MIN.).



**ELEVATION B&C**



**ELEVATION A**



**RENAISSANCE**  
RESIDENTIAL DESIGN, INC.

RALEIGH, NC 27612  
(919) 648-4128  
WWW.RRD-CAROLINA.COM

The art of transforming your vision into reality.

RENAISSANCE RESIDENTIAL DESIGN, INC. RESERVES THE RIGHT TO MAKE MODIFICATIONS TO FLOOR PLANS, DIMENSIONS, MATERIALS, AND SPECIFICATIONS WITHOUT NOTICE. THESE DRAWINGS ARE FOR THE PURPOSE OF CONVEYING AN ARCHITECTURAL CONCEPT ONLY.

RENAISSANCE RESIDENTIAL DESIGN, INC. HEREBY EXPRESSLY RESERVES ITS COMMON LAW COPYRIGHT AND OTHER PROPERTY RIGHTS IN THESE PLANS. THESE PLANS AND DRAWINGS ARE NOT TO BE REPRODUCED, CHANGED, OR COPIED IN ANY FORM OR MANNER WITHOUT FIRST OBTAINING THE EXPRESS WRITTEN CONSENT OF RENAISSANCE RESIDENTIAL DESIGN, INC. NOR ARE THEY TO BE ASSIGNED TO ANY THIRD PARTY WITHOUT FIRST OBTAINING SAID WRITTEN PERMISSION AND CONSENT.

**WEAVER HOMES**  
350 Waggoner Drive • Fayetteville, NC 28303  
910.630.2100 • 800.802.2190  
www.weaver-homes.com

PRICES, PROMOTIONS, INCENTIVES, FEES, TAXES, OPTIONS, FLOOR PLANS, ELEVATIONS, DESIGNS, MATERIALS AND DIMENSIONS ARE SUBJECT TO CHANGE WITHOUT NOTICE. SQUARE FOOTAGE AND DIMENSIONS ARE ESTIMATED AND HOUSE ON LOT WILL BE DETERMINED BY THE SITE PLAN AND PLOT PLAN. FLOOR PLANS AND ELEVATION RENDERINGS ARE ARTIST CONCEPTIONS. FLOOR PLANS ARE THE COPYRIGHTED PROPERTY OF WEAVER HOMES. ANY USE, REPRODUCTION, OR DISTRIBUTION OF THESE PLANS WITHOUT WRITTEN PERMISSION IS PROHIBITED. SEE NEW HOME SALES CONSULTANT FOR CURRENT DETAILS. COPYRIGHT © 2020 WEAVER HOMES

**WEAVER HOMES**  
CAROLINA COLLECTION  
POPLAR DRIVE RIGHT

DATE: JULY 22, 2020  
REV.:  
SCALE: 1/4" = 1'-0"  
DRAWN BY: WG  
ENGINEERED BY:  
REVIEWED BY:

ROOF PLANS  
**S-4**

