

# TrueHomes

IT'S ALL ABOUT U



### HEADER SCHEDULE

ALL INTERIOR BEARING AND EXTERIOR WALLS

- SPANS UP TO 3'-6" -- (2) 2x8's
- SPANS 3'-6" TO 6'-6" -- (2) 2x10's
- SPANS 6'-6" OR MORE -- SEE PLAN

**\*\* SOUTH CAROLINA SPECIFIC NOTE \*\***  
ALL OPENINGS IN THERMAL ENVELOPE MUST HAVE INSULATED HEADER PER CODE

### EXTERIOR HINGED DOOR SCHEDULE

DOOR WIDTH		DOOR HEIGHT R.O.		
PLAN I.D.	R.O. WIDTH	8FT CEILING	9FT CEILING	10FT CEILING
3/0	3'-2 1/2"	82-1/2"	82-1/2"	98-1/2"
2/8	2'-10 1/2"			
5/0	5'-3 5/8"			
5/4	5'-7 5/8"			
6/0	6'-3 5/8"	SLIDING PATIO DOORS		
5/0	60-1/8"	80-1/2"	80-1/2"	96-1/2"
6/0	72-1/8"			

### INTERIOR HINGED DOOR SCHEDULE

DOOR WIDTH		DOOR HEIGHT R.O.		
PLAN I.D.	R.O. WIDTH	8FT CEILING	9FT CEILING	10FT CEILING
1/4	1'-6"	82-1/2" NOMINAL DOOR HEIGHT + 2-1/2"	82-1/2" NOMINAL DOOR HEIGHT + 2-1/2"	98-1/2" NOMINAL DOOR HEIGHT + 2-1/2"
1/6	1'-8"			
1/8	1'-10"			
2/0	2'-2"			
2/4	2'-6"			
2/6	2'-8"			
2/8	2'-10"			
2/10	3'-0"			
3/0	3'-2"			
4/0	4'-2"			
5/0	5'-2"			
6/0	6'-2"			

### INTERIOR PASS THRU SCHEDULE

FRAMED OPENING DIMENSIONS		
WALL HEIGHT	R.O. WIDTH	R.O. HEIGHT
8'-1	1/8"	PLAN I.D. + 2"
9'-1	1/8"	PLAN I.D. + 2"
10'-1	1/8"	PLAN I.D. + 2"

ROUGH OPENING HEIGHTS ARE FOR DO, CO, & AO OPENINGS. SHIM HEIGHTS AS NEEDED TO MATCH INTERIOR HINGED DOOR CASING

INTERIOR DOORWAY OPENINGS:  
DO = DRYWALL OPENING  
CO = CASER OPENING  
AO = ARCHER OPENING

## GENERAL NOTES

- PLANS PERMITTED IN NORTH CAROLINA ARE DESIGNED TO MEET THE 2018 NORTH CAROLINA RESIDENTIAL BUILDING CODE, AS ISSUED BY THE STATE OF NORTH CAROLINA, AND PLANS PERMITTED IN SOUTH CAROLINA DESIGNED TO MEET 2018 INTERNATIONAL RESIDENTIAL BUILDING CODE AS ISSUED BY THE STATE OF SOUTH CAROLINA, WITH MODIFICATIONS AS REQUIRED TO MEET LOCAL BUILDING CODES FOR EACH APPLICABLE JURISDICTION.
- DO NOT SCALE DIMENSIONS FROM PRINTS. USE DIMENSIONS GIVEN OR CONSULT ARCHITECTURAL SERVICES DEPARTMENT FOR FURTHER CLARIFICATION.
- ALL DIMENSIONS ARE FROM WALL FRAMING (FACE OF STUD), NO FINISHED DIMENSIONS ARE GIVEN U.N.O.
- PROVIDE 2 STUDS BETWEEN ALL WINDOWS.(TYP)
- ACCESS DOORS BETWEEN HOUSE AND GARAGE AREAS TO BE 20-MINUTE FIRE RATED.
- ALL EXTERIOR WALLS & INTERIOR WALLS TO BE 2X4 STUDS 16" O.C. (U.N.O.). INTEGRITY COLLECTION INTERIOR NON-LOAD BEARING WALLS 24" O.C. (U.N.O.)
- ALL STRUCTURAL FRAMING LUMBER EXPOSED DIRECTLY TO THE WEATHER OR BEARING DIRECTLY ON MASONRY OR CONCRETE SHALL BE TREATED. ALL WOOD IN CONTACT WITH THE GROUND MUST BE GROUND-CONTACT APPROVED. ALL WOOD EXPOSED DIRECTLY TO THE WEATHER SHALL BE PROTECTED TO PREVENT THE OCCURRENCE OF ROT.
- ALL ANGLED WALLS ARE AT 45 DEGREES UNLESS NOTED OTHERWISE.
- REFER TO QUALITY STANDARDS AND/OR MANUFACTURER SPECS FOR WINDOW ROUGH OPENING SIZES. SEE ELEVATIONS FOR WINDOW HEADER HEIGHTS (U.N.O.).
- PROVIDE BLOCKING ABOVE WINDOWS AND DOORS 16" O.C.
- PROVIDE EXTRA STUDS AS INDICATED AT BEAM BEARING LOCATIONS.
- WALLS TO BE FRAMED WITH STUDS AT 16" O.C. AT KITCHEN WALLS WITH CABINETS AND AT TUB/SHOWER LOCATIONS (PER MANUF.).
- ALL COMMON CEILING BETWEEN GARAGE TO HOUSE PROVIDE 5/8" TYPE X GWB PER GARAGE SEPARATION REQUIREMENTS PER CODE. ALL JOINTS TO BE TAPED & MUDDER FOR FIRE SEPARATION. ALL STRUCTURES SUPPORTING FLOOR/CEILING ASSEMBLIES USED FOR SEPARATION REQUIRE NOT LESS THAN 1/2" GYP OR EQ. PER SECTION R302.6
- SEPARATE GARAGE FROM ATTIC WITH 5/8" TYPE X GWB SCUTTLE MINIMUM AND 2X SCUTTLE FRAMING MATERIAL.
- HEEL HEIGHTS: SEE ELEVATIONS SHEETS FOR TOP OF FASCIA DIMENSIONS TO GATHER PROPER HEEL HEIGHT REQUIREMENTS.
- PROVIDE AND INSTALL LOCALLY CERTIFIED SMOKE DETECTORS AND CARBON MONOXIDE DETECTORS AS REQUIRED BY NATIONAL FIRE PROTECTION ASSOCIATION AND MEETING THE REQUIREMENTS OF ALL GOVERNING CODES AND PER MANUFACTURER SPECS.
- STAIR TREAD DESIGN TO BE VERIFIED WITH SELECTIONS AND PO'S.
- PROVIDE 1 1/2" FLAT WALL FRAMING FOR ALL HVAC CHASES UNLESS NOTED OTHERWISE. SEE FRAMING SHEET GN FOR ADDITIONAL NOTES PER LOCAL CODES.
- FOR TRADITIONS, ELEMENTS, INTEGRITY, AND TRIBUTE SERIES, DOORS SHOULD BE LOCATED 4" OFF ADJACENT WALLS OR CENTERED IN THE WALL UNLESS NOTED OTHERWISE. DESIGNER SERIES SHOULD BE LOCATED 6" OFF ADJACENT WALLS OR CENTERED IN THE WALL UNLESS NOTED OTHERWISE.
- ALL HOMES TREATED WITH BORA-CARE TERMITE TREATMENT.
- SMURF DOORS ARE 21 1/2" x 39" NOMINAL (R.O. 22 1/2" x 40").
- SHEATH WALLS AND CEILINGS w/ OSB PER SPECS. IN FURN. ROOM LOCATIONS
- ALL PLANS ARE GENERATED WITH THE AID OF A COMPUTER AIDED DRAFTING SYSTEM.
- DIMENSION AND NOTATIONS ON PLANS HAVE PREFERENCE OVER GRAPHIC DEPICTIONS AND SHOULD BE UTILIZED TO SETTLE ANY DISCREPANCIES - ANY DISCREPANCIES FOUND SHOULD BE FORWARDED TO THE ARCHITECTURAL SERVICES DEPARTMENT FOR RESOLUTION.
- TYPICAL FOUNDATION AND ENGINEERING CONSTRUCTION DETAILS ARE SHOWN IN RESPECTIVE PLANS. TYPICAL DETAILS SHALL APPLY TO ALL SITUATIONS OCCURRING ON THE PLAN THAT ARE THE SAME OR SIMILAR TO THOSE SPECIALLY DETAILED. THE APPLICABILITY OF THE DETAIL TO ITS LOCATION ON THE DRAWINGS CAN BE DETERMINED BY THE TITLE OF THE DETAIL. SUCH DETAILS SHALL APPLY WITHER OR NOT THEY ARE REFERENCED AT EACH LOCATION.
- ALL CONSTRUCTION SPECIFICATION NOT COVERED ON THIS SHEET, OR IN PLAN SETS AND GENERAL SPECIFICATIONS, ARE TO MEET ALL APPLICABLE STATE AND LOCAL BUILDING CODES.
- HOUSE CONSTRUCTION IS TYPICAL 2X4 STUDS AT 16" O.C. AT ALL EXTERIOR WALLS UNLESS OTHERWISE NOTED. WALLS THAT ARE TO BE BALLOON FRAMED OR CONSTRUCTED WITH 2X6 STUDS WILL BE NOTED AS SUCH. ALL BASEMENT FRAMED WALLS TO BE 2X4 STUDS FOR ONE-STORY PLANS AND 2X6 STUDS FOR LOAD BEARING WALLS ON TWO-STORY PLANS UNLESS OTHERWISE NOTED.
- PLANS ARE GENERATED FROM A COMMON GRAPHIC DATABASE WITH MODIFICATIONS AS REQUIRED TO ADAPT PLANS TO LOCAL BUILDING CONDITIONS AND SPECS FOR EACH LOCALITY.
- TRUE HOMES RESERVES THE RIGHT TO MAKE MODIFICATIONS TO FLOOR PLANS, DIMENSIONS, MATERIALS, AND SPECIFICATIONS WITHOUT NOTICE. THESE DRAWINGS ARE FOR THE PURPOSE OF CONVEYING AN ARCHITECTURAL CONCEPT ONLY.

## RALEIGH DESIGN CRITERIA

- DESIGN LOADS ARE ALL DEAD LOADS PLUS:
  - SLEEPING ROOMS.....30 PSF
  - ALL OTHER FLOORS.....40 PSF
  - BALCONIES.....40 PSF
  - ATTIC FLOOR LIVE LOADING WITH THE FOLLOWING:
    - AREA ACCESSIBLE BY STAIRS.....40 PSF
    - ROOF SLOPES >3:12.....20 PSF
    - ROOF SLOPES <3:12.....10 PSF
    - ROOF LIVE LOAD.....20 PSF
    - WIND LOAD.....115 MPH
    - SNOW LOAD.....20 PSF
    - SEISMIC ZONE.....B
  - DESIGN IS COMPLIANT WITH 2018 NCRG ENERGY CODE N1102.2 PRESCRIPTIVE FOR CLIMATE ZONE 4A

## REVISION LOG

- DATE: 06-15-21 DRAWN BY: MAB  
STEEL BEAM OPTION ADDED TO LVL IN GARAGE, LVL'S AT COVERED PORCH CHANGED TO JOIST, FLITCH BEAM OPTION ADDED TO LVL AT KITCHEN/GREAT ROOM ENTRY.
- DATE: DRAWN BY:
- DATE: DRAWN BY:
- DATE: DRAWN BY:

# THE 'HUNTLEY'

## WALKERS GROVE

### LOT 1

TBD WALKER GROVE LANE  
LILLINGTON, NC 27546

### COMMUNITY SPECS

- MONO FOUNDATION
- VINYL SIDING / VINYL SOFFIT
- 2 CAR GARAGE

### SQUARE FOOTAGE

FIRST FLOOR	1127 SQ.FT.
SECOND FLOOR	1600 SQ.FT.
TOTAL LIVABLE	2727 SQ.FT.
FRONT PORCH	116 SQ.FT.
2-CAR GARAGE	447 SQ.FT.
REAR PATIO	120 SQ.FT.
OVERALL HT. (FF to Ridge)	29'-3"
PLATE HEIGHT(S)	9' / 8'

### ELEMENTS COLLECTION

#### HELP HOTLINES

"WHEN IN DOUBT, GIVE US A SHOUT"

#### TRUE BUILDER:

(To be filled in by Builder on site)

NAME: \_\_\_\_\_

NUMBER: \_\_\_\_\_

#### ARCHITECTURAL SERVICES:

- Missing or Conflicting Dimensions
- Plan Legibility
- Missing Options

Mon-Fri: 8am - 5pm

CHARLOTTE MKTS: 704-681-2032

ALL OTHER MKTS: 704-993-1861

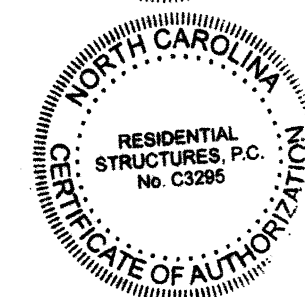
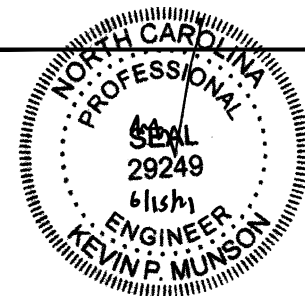
E-mail: CADISSUE@truehomesusa.com

#### ESTIMATING:

- Missing Material or Shortage
- Purchase Order Questions

Mon-Fri: 8am - 5pm

ALL MKTS: 704-681-4916



**RESIDENTIAL STRUCTURES, P.C.**  
3410 N. Davidson St.  
Charlotte, N.C. 28205  
Seal For Structural Only

UPGRADED ELEVATION

#### TABLE OF CONTENTS

CS	COVER SHEET
A2.1	FIRST FLOOR PLAN
A2.2	SECOND FLOOR PLAN
A3.1	FRONT & SIDE ELEVATIONS
A3.2	REAR & SIDE ELEVATIONS
A4.1	STAIR SECTIONS
E1.1	FIRST FLOOR ELECTRICAL PLAN
E1.2	SECOND FLOOR ELECTRICAL PLAN
S1	FOUNDATION PLAN
S2.1	FIRST FLOOR FRAMING
S3.1	ROOF FRAMING PLAN
GN	GENERAL STRUCTURAL NOTES
D1	TYP. FOUNDATION DETAILS
D3	TYP FLASHING DETAIL
D4	TYP. PORTAL FRAME DETAIL - PFH
D5	TYP FIREPLACE DETAILS
D5.1	TYP STAIR DETAILS
D5.2	TYP STAIR DETAILS
D5.3	TYP STAIR DETAILS
D9	TYP CORNICE DETAILS
D10	TRIM DETAILS

**TrueHomes**  
IT'S ALL ABOUT U  
2649 Breckridge Centre Dr.  
Suite 104  
Monroe, N.C. 28110  
704-271-1191

WALKERS GROVE

LOT# 1

HUNTLEY  
2630

HARNETT

Copyright True Homes L.L.C. All rights reserved. The duplication, reproduction, copying, sale, rental, licensing, or any other distribution or use of these drawings, any portion thereof, or the plans depicted hereon is strictly prohibited.

PREPARED BY:

WALTER

DATE:

3-24-21

SCALE:

NOT TO SCALE

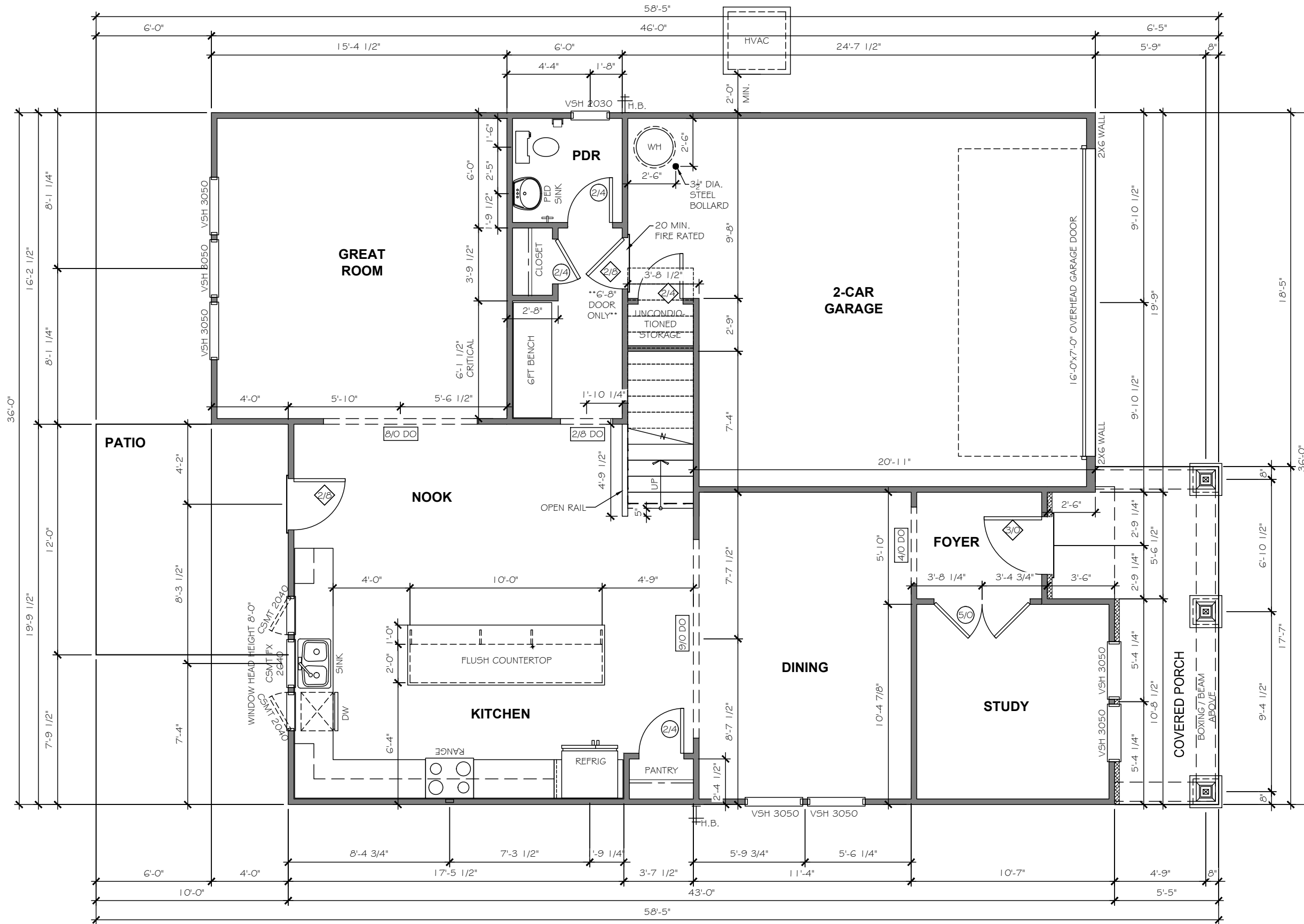
REVIEWED BY:

CHUCK

SHEET:

CS

ORIGINAL CONTRACT ID#: 35406



FIRST FLOOR PLAN

**TrueHomes**  
 IT'S ALL ABOUT U  
 2649 Breckridge Centre Dr.  
 Suite 104  
 Monroe, N.C. 28110  
 704-271-1191

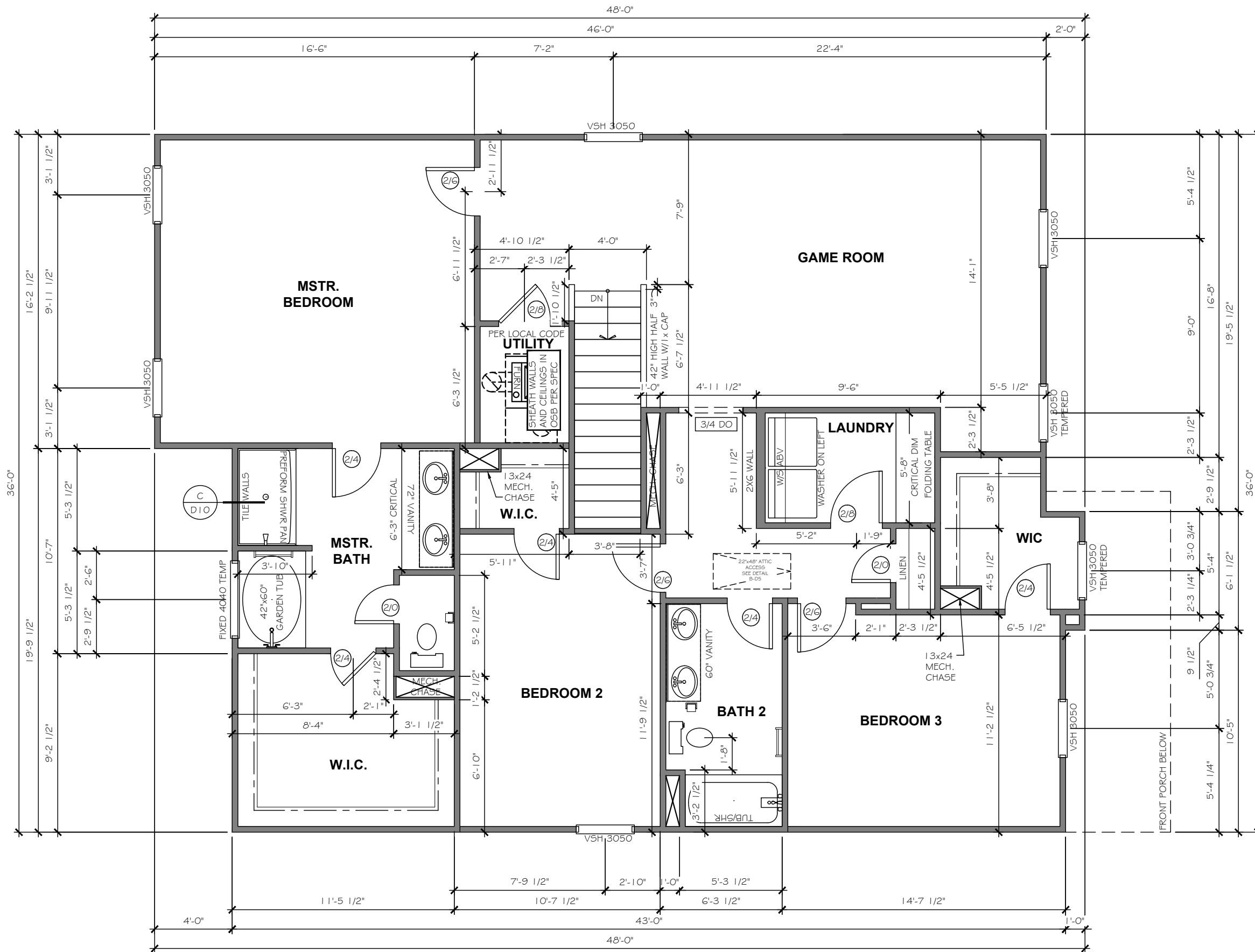
WALKERS GROVE  
 LOT# 1

HUNTLEY  
 2630

HARNETT

Copyright True Homes L.L.C. All rights reserved. The duplication, reproduction, copying, sale, rental, licensing, or any other distribution or use of these drawings, any portion thereof, or the plans depicted hereon is strictly prohibited.  
 PREPARED BY:  
 WALTER  
 DATE:  
 3-24-21  
 SCALE:  
 3/16" = 1'-0"  
 REVIEWED BY:  
 CHUCK

SHEET:  
 A2.1



SECOND FLOOR PLAN

**TrueHomes**  
 IT'S ALL ABOUT U  
 2649 Breckridge Centre Dr.  
 Suite 104  
 Monroe, N.C. 28110  
 704-271-1191

WALKERS GROVE  
 LOT# 1

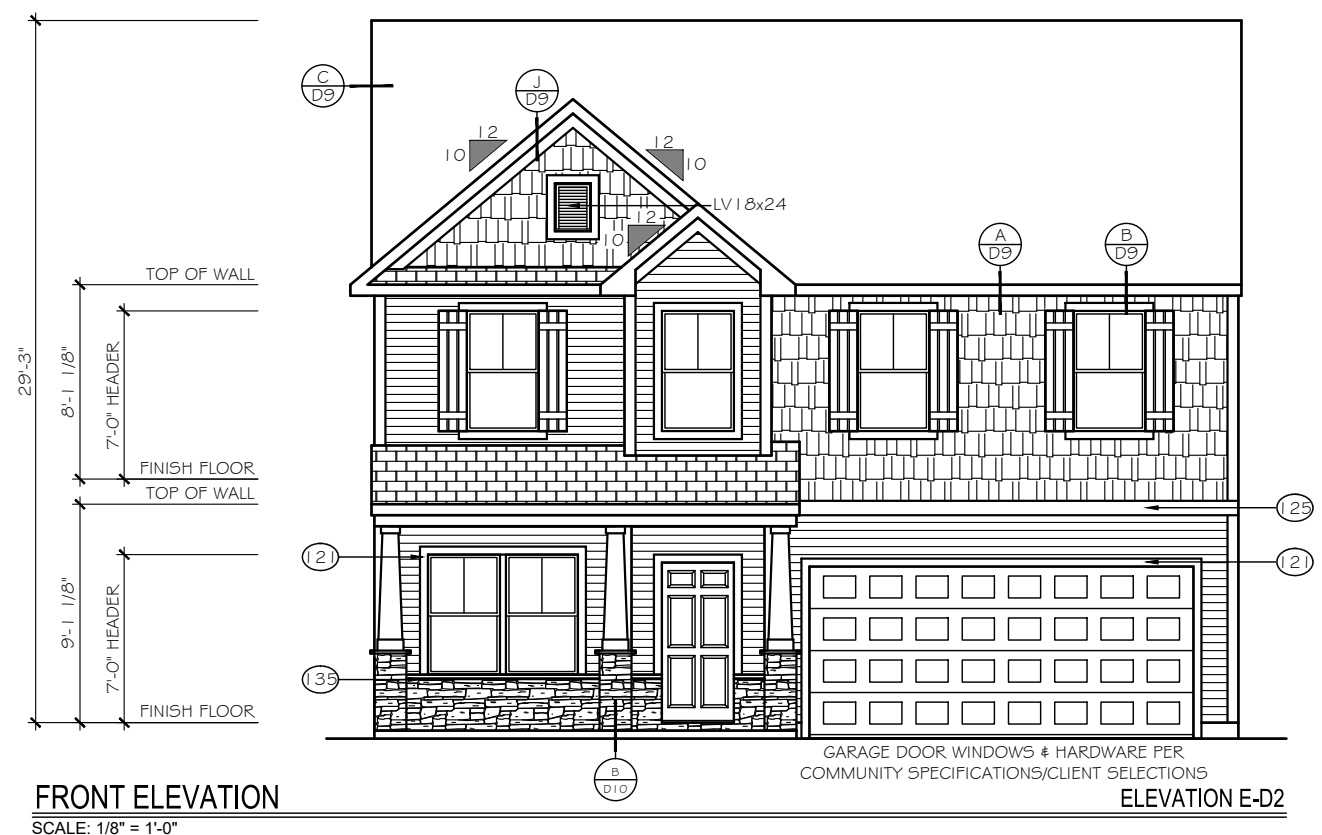
HUNTLEY  
 2630

HARNETT

Copyright True Homes L.L.C. All rights reserved. The duplication, reproduction, copying, sale, rental, licensing, or any other distribution or use of these drawings, any portion thereof, or the plans depicted hereon is strictly prohibited.

PREPARED BY:  
 WALTER  
 DATE:  
 3-24-21  
 SCALE:  
 3/16" = 1'-0"  
 REVIEWED BY:  
 CHUCK

SHEET:  
 A2.2

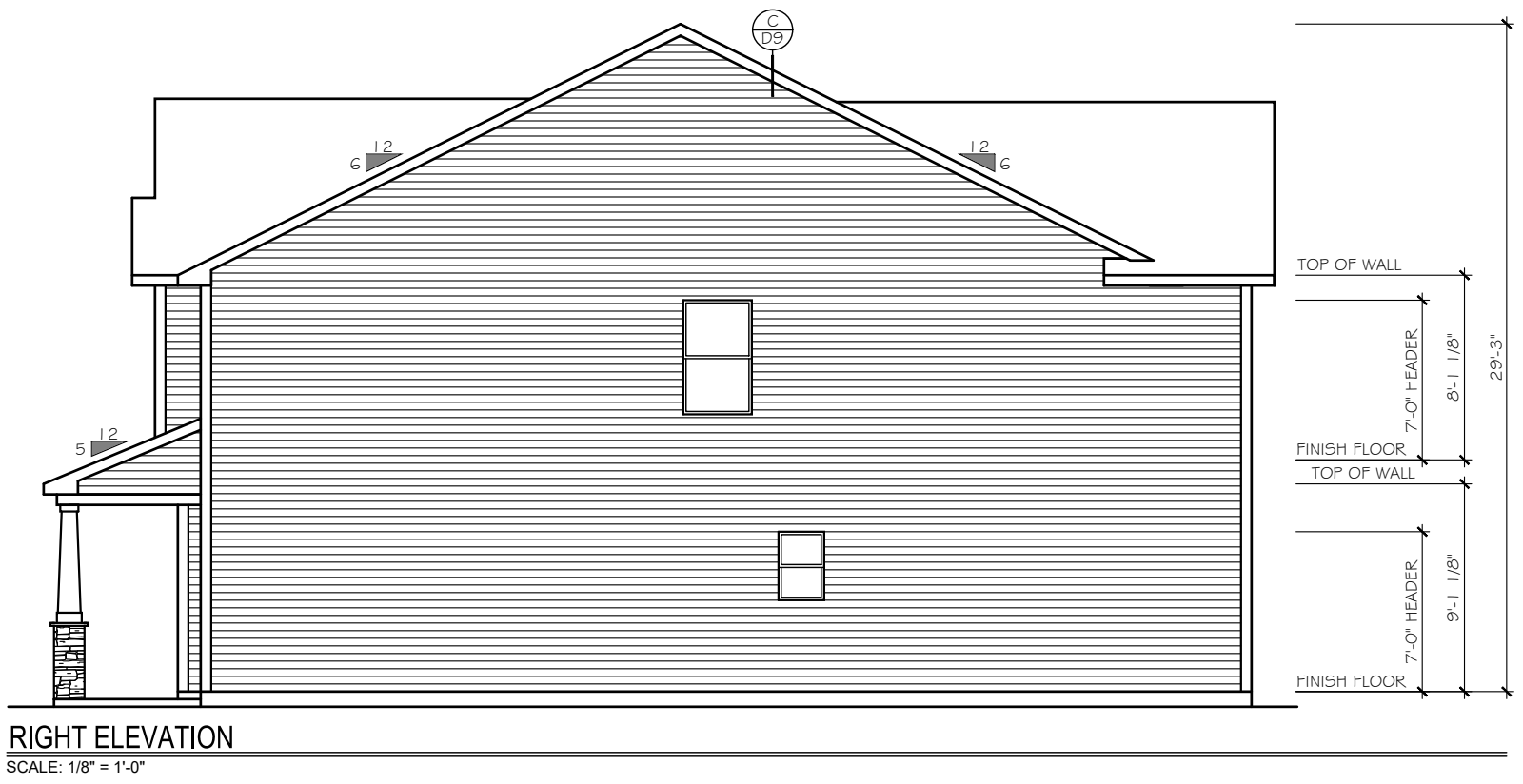


**FRONT ELEVATION**  
SCALE: 1/8" = 1'-0"

EXTERIOR MATERIAL LEGEND			
	B-N-B SIDING		STONE
	SHAKE SIDING		METAL ROOF
	HORIZONTAL SIDING		ROOF SHINGLE
	BRICK		SCALLOP SIDING

FOUNDATION REVEAL MAY VARY BASED ON SITE CONDITIONS, FINAL GRADING, & COMMUNITY SPECS.

- KEY NOTES**
- (15) FLASHING
  - (17) VINYL SHUTTER
  - (20) BRICKMOLD TRIM
  - (21) 1X4 TRIM BOARD
  - (23) 1X6 TRIM BOARD
  - (25) 1X8 TRIM BOARD
  - (28) 1X10 FRIEZE BOARD
  - (31) 1-1/2" THICK STONE CAP
  - (35) ROWLOCK SILL
  - (37) BRICK JACK ARCH
  - (39) SOLDIER COURSE
  - (41) PRECAST KEYSTONE
- 1x4 TRIM WHERE SHOWN AT WINDOWS AND DOORS UNLESS OTHERWISE NOTED
- SEE ROOF FRAMING PLANS FOR OVERHANG DIMENSIONS AND DORMER LOCATIONS



**RIGHT ELEVATION**  
SCALE: 1/8" = 1'-0"

**TrueHomes**  
IT'S ALL ABOUT U  
2649 Breckonridge Centre Dr.  
Suite 104  
Monroe, N.C. 28110  
704-271-1191

**WALKERS GROVE**  
**LOT# 1**

**HUNTLEY**  
2630

**HARNETT**

Copyright True Homes L.L.C. All rights reserved. The duplication, reproduction, copying, sale, rental, licensing, or any other distribution or use of these drawings, any portion thereof, or the plans depicted hereon is strictly prohibited.

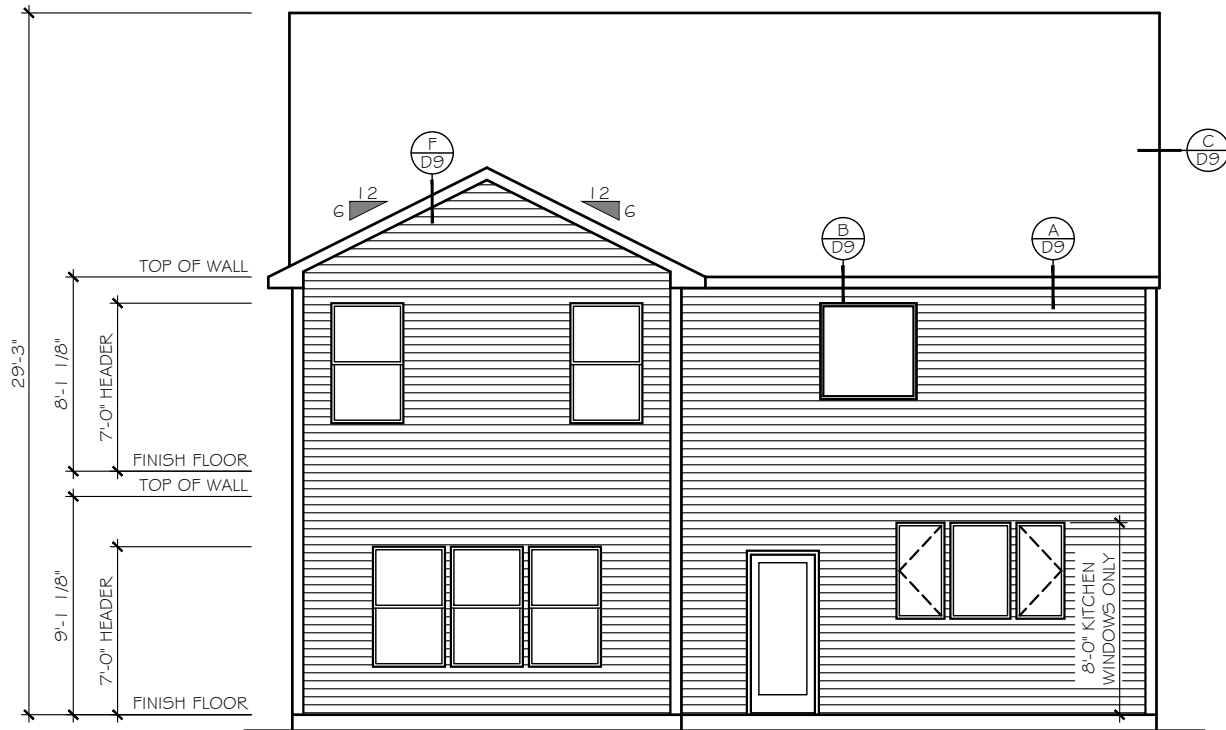
PREPARED BY:  
**WALTER**

DATE:  
3-24-21

SCALE:  
1/8" = 1'-0"

REVIEWED BY:  
**CHUCK**

SHEET:  
**A3.1**



**REAR ELEVATION**  
SCALE: 1/8" = 1'-0"

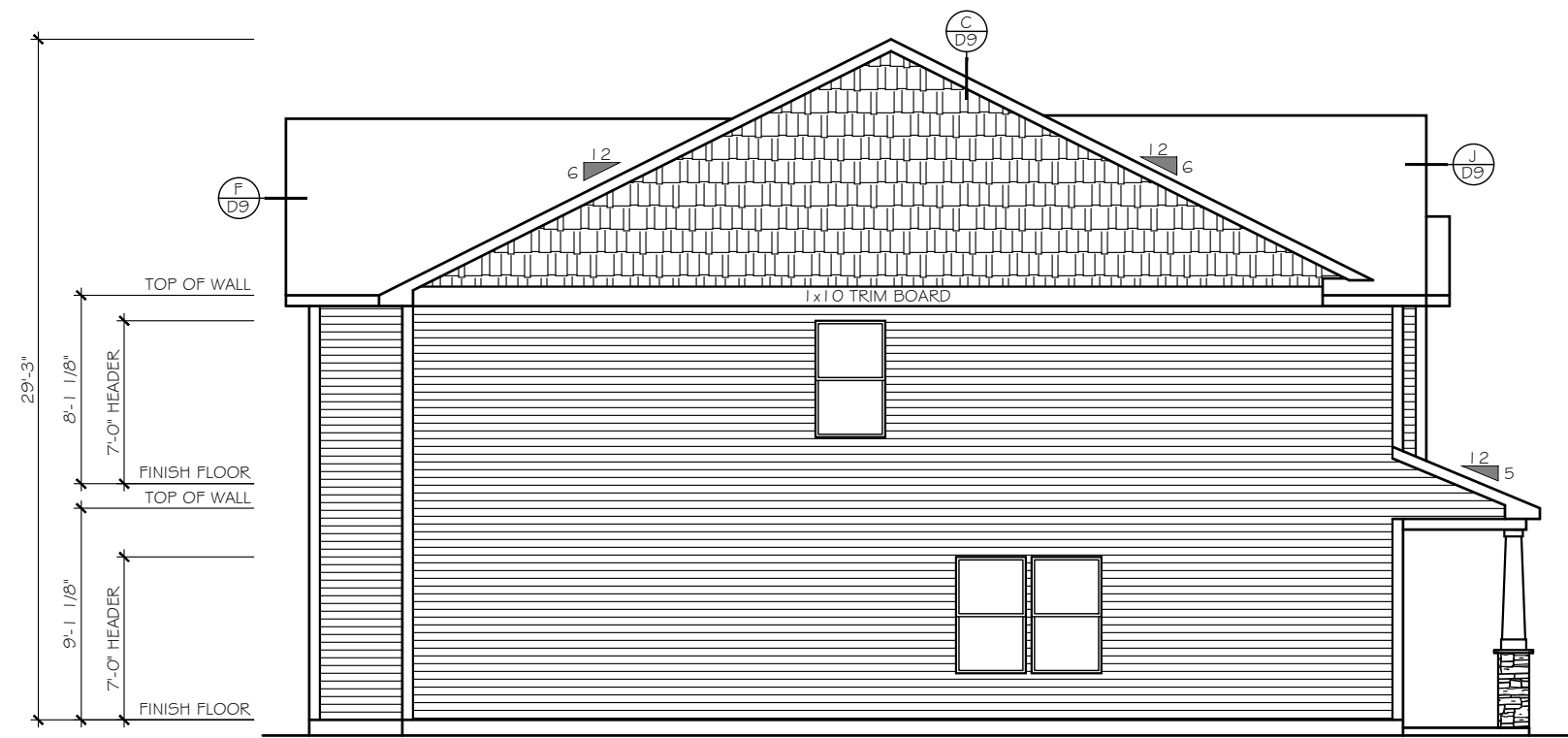
EXTERIOR MATERIAL LEGEND			
	B-N-B SIDING		STONE
	SHAKE SIDING		METAL ROOF
	HORIZONTAL SIDING		ROOF SHINGLE
	BRICK		SCALLOP SIDING

FOUNDATION REVEAL MAY VARY BASED ON SITE CONDITIONS, FINAL GRADING, & COMMUNITY SPECS.

- KEY NOTES**
- (15) FLASHING
  - (17) VINYL SHUTTER
  - (20) BRICKMOLD TRIM
  - (21) 1X4 TRIM BOARD
  - (23) 1X6 TRIM BOARD
  - (25) 1X8 TRIM BOARD
  - (26) 1X10 FRIEZE BOARD
  - (31) 1-1/2" THICK STONE CAP
  - (35) ROWLOCK SILL
  - (37) BRICK JACK ARCH
  - (39) SOLDIER COURSE
  - (41) PRECAST KEYSTONE

1x4 TRIM WHERE SHOWN AT WINDOWS AND DOORS UNLESS OTHERWISE NOTED

SEE ROOF FRAMING PLANS FOR OVERHANG DIMENSIONS AND DORMER LOCATIONS



**LEFT ELEVATION**  
SCALE: 1/8" = 1'-0"

**TrueHomes**  
IT'S ALL ABOUT U  
2649 Breckridge Centre Dr.  
Suite 104  
Monroe, N.C. 28110  
704-271-1191

WALKERS GROVE  
LOT# 1

HUNTLEY  
2630

HARNETT

Copyright True Homes L.L.C. All rights reserved. The duplication, reproduction, copying, sale, rental, licensing, or any other distribution or use of these drawings, any portion thereof, or the plans depicted hereon is strictly prohibited.

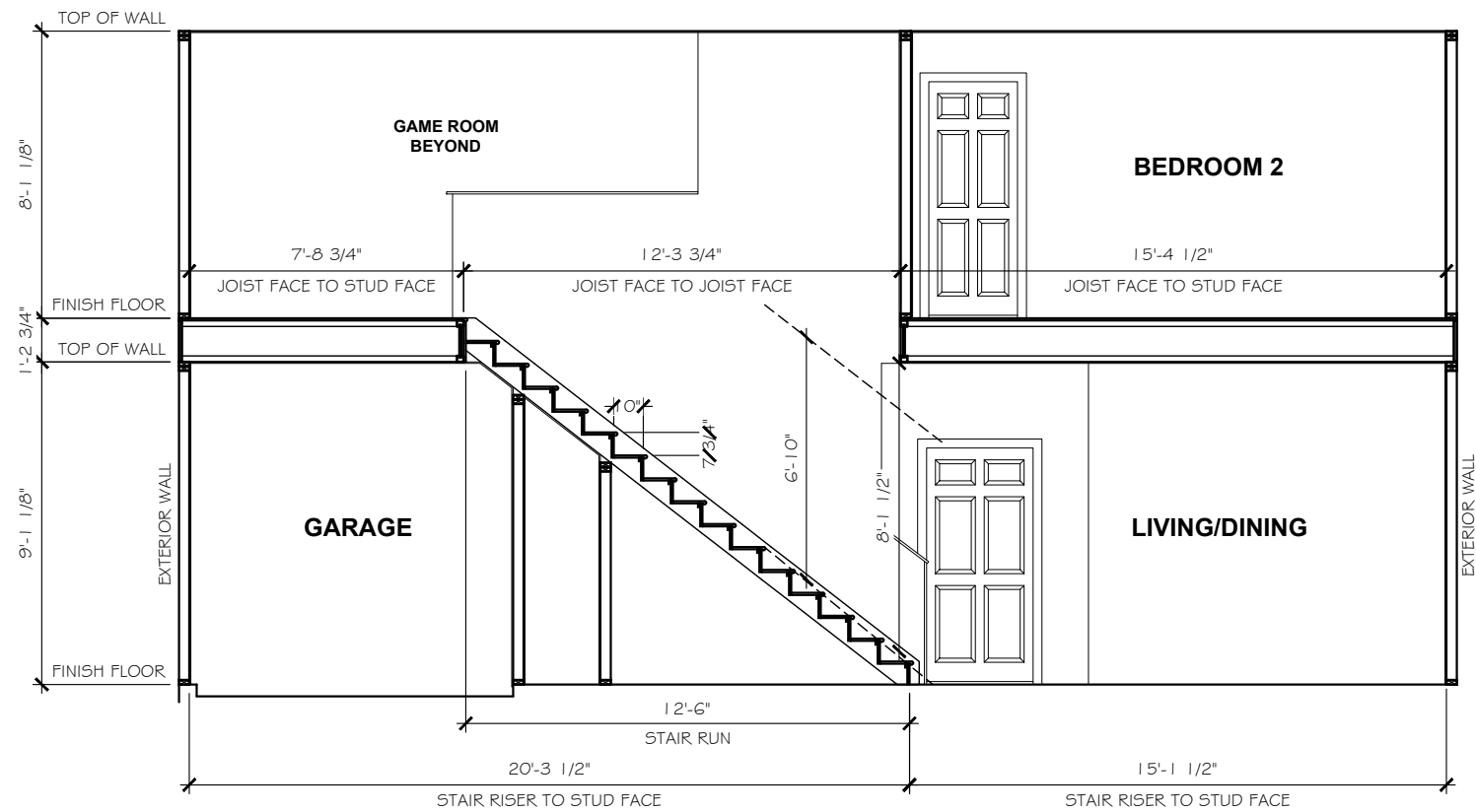
PREPARED BY:  
**WALTER**

DATE:  
3-24-21

SCALE:  
1/8" = 1'-0"

REVIEWED BY:  
**CHUCK**

SHEET:  
**A3.2**



**STAIR SECTION**  
 SCALE: 3/16" = 1'-0"

9' PLATE  
 2628

**TrueHomes**  
 IT'S ALL ABOUT U  
 2649 Breckridge Centre Dr.  
 Suite 104  
 Monroe, N.C. 28110  
 704-271-1191

**WALKERS GROVE**  
**LOT# 1**

**HUNTLEY**  
 2630

**HARNETT**

Copyright True Homes L.L.C. All rights reserved. The duplication, reproduction, copying, sale, rental, licensing, or any other distribution or use of these drawings, any portion thereof, or the plans depicted hereon is strictly prohibited.

PREPARED BY:  
**WALTER**

DATE:  
 3-24-21

SCALE:  
 AS SHOWN

REVIEWED BY:  
**CHUCK**

SHEET:  
**A4.1**



**ELECTRICAL LEGEND**

*	INDICATES ADDITIONAL OUTLET PER CLIENT
⊕	OUTLET 110V (D=DEDICATED CIRCUIT)
⊕ <sup>5' AFF</sup>	RECESSED OUTLET 110V
⊕ <sup>220V</sup>	OUTLET 220V (D=DEDICATED CIRCUIT)
⊕ <sup>WP</sup>	OUTLET 110V WATER PROOF
⊕ <sup>GFI</sup>	OUTLET 110V GFI (D=DEDICATED CIRCUIT)
⊕	FLOOR OUTLET 110V
⊕	SWITCHED OUTLET
⊕ <sup>USB</sup>	DUAL USB OUTLET (3.1 AMP)
⊕ <sup>77" AFF</sup>	EXT. RECESSED OUTLET # TV w/ COVER
⊕ <sup>TV</sup>	TV WALL JACK
⊕	PHONE / DATA JACK
⊕	THERMOSTAT
⊕ <sup>SMOKE</sup>	SMOKE / CO DETECTOR
⊕ <sup>SMOKE</sup>	SMOKE DETECTOR
⊕	SWITCH
⊕ <sup>3-WAY</sup>	3-WAY SWITCH
⊕ <sup>4-WAY</sup>	4-WAY SWITCH
⊕	DIMMER SWITCH
⊕	PUSH BUTTON
⊕	WALL MOUNT LIGHT FIXTURE
⊕	CEILING LIGHT
⊕	HANGING LIGHT
⊕	JUNCTION BOX / PREWIRE
⊕	RECESSED CAN LIGHT
⊕	LED CAN LIGHT
⊕	VAPOR PROOF CAN LIGHT
⊕	MINI-CAN LIGHT
⊕	UNDER CABINET LIGHT
⊕	WALL SCONCE (STD 72" AFF UNO)
⊕	FLOOD LIGHT - LOCATION TO BE VERIFIED IN FIELD WITH BUILDER/CLIENT
⊕	PENDANT LIGHT (6'-7" AFF STD)
⊕	EXHAUST FAN
⊕	EXHAUST FAN / LIGHT
⊕	KEYLESS ENTRY
⊕	CEILING FAN PRE-WIRE OR FIXTURE AS NOTED
⊕	ELECTRIC PANEL (METER LOCATION MAY VARY)
⊕	DISCONNECT BOX
⊕	DED. HOT TUB CIRCUIT (50amp, 240v GFI)

**ELEC. NOTICE**

ROOMS WITH WAINSCOT PER SELECTIONS REQUIRE OUTLETS TO BE PLACED 1'-0" FROM CORNER OR CENTERED ON WALL AT STANDARD HEIGHT ( U.N.O.).

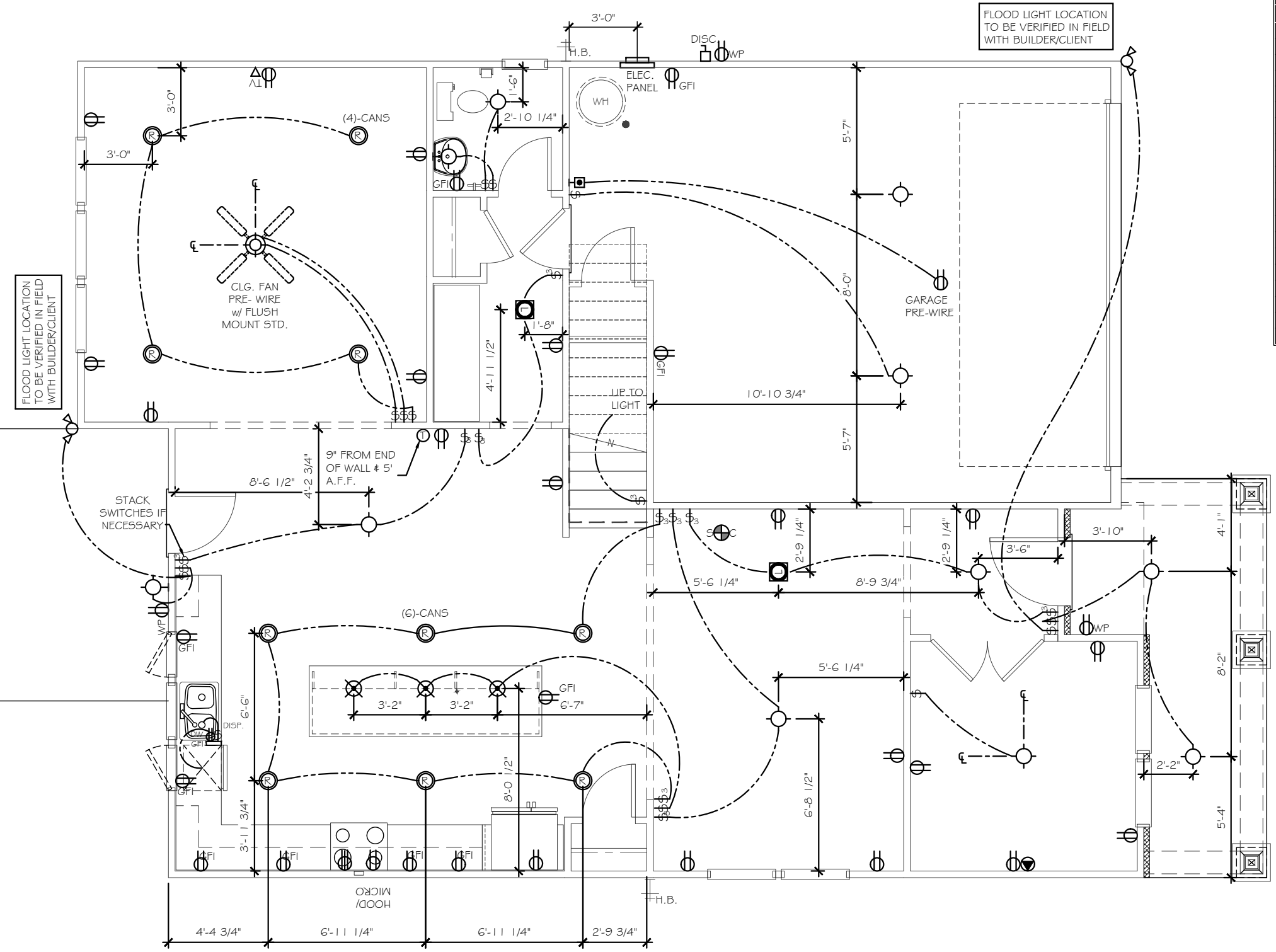
**\*\*EXCLUDES HALLWAYS\*\***

ELECTRICAL TO BE PLACED PER CODE IN THE FIELD. SEE QUALITY STANDARDS FOR HEIGHTS

PLACE GAS METER MAX 15' AWAY FROM ELECTRICAL METER IF APPLICABLE

CHECK SELECTIONS FOR CPI LAYOUT. ALL TV, PHONE, CABLE, AUDIO, AND SECURITY SYSTEM OUTLETS WILL BE LOCATED PER CPI LAYOUT, REGARDLESS OF WHETHER TV AND PHONE ARE SHOWN.

ELECTRICAL		
Count	Name	Visibility I
5	Ceiling Fan 1.1	w/ Flush Mount Std.
3	Detectors	Smoke Detector
2	Detectors	Smoke/Carbon Monoxide Detector
2	Jacks	Thermostat
2	Jacks	TV Jack
2	Jacks	Phone Jack
6	Lights	Carnage Light
6	Lights	LED Ceiling Light
1	Lights	Can Light VP
3	Lights	Exhaust Fan/Light
10	Lights	Can Light
2	Lights	Flood Light
14	Lights	Ceiling Light
3	Lights	Pendant Light
3	Receptacle	WP
17	Receptacle	GFI
42	Receptacle	110V
1	switch	Push Button
16	switch	3-Way Switch
33	switch	Single Pole Switch



**LOW VOLTAGE LEGEND**

TEC CAN

- 36" WHIP IN WALL (NO OUTLET)

HD LINK

- 5' AFF HD-L
- CHASE PIPE
- HDMI CABLE
- 2 CAT5E DATA
- TV/DATA JACK
- 110v OUTLET (RECESSED AFF)
- 110v OUTLET (STANDARD)

CHASE PIPE

- 5' AFF CH-F
- CHASE PIPE WALL PLATES
- (OUTLET SEPARATE)

SPEAKER

PRE-WIRE FOR SPEAKER

WALL PLATE CONTROL

CHECK SELECTIONS FOR COMPLETE LOW VOLTAGE LAYOUT.

LOW VOLTAGE TRADE RESPONSIBLE FOR LOCATING AND INSTALLING ALL SELECTED PRODUCTS.

**TrueHomes**  
 IT'S ALL ABOUT U  
 2649 Breckridge Centre Dr.  
 Suite 104  
 Monroe, N.C. 28110  
 704-271-1191

WALKERS GROVE  
 LOT# 1

HUNTLEY  
 2630

HARNETT

Copyright True Homes L.L.C. All rights reserved. The duplication, reproduction, copying, sale, rental, licensing, or any other distribution or use of these drawings, any portion thereof, or the plans depicted herein is strictly prohibited.

PREPARED BY:  
**WALTER**

DATE:  
 3-24-21

SCALE:  
 3/16"=1'-0"

REVIEWED BY:  
**CHUCK**

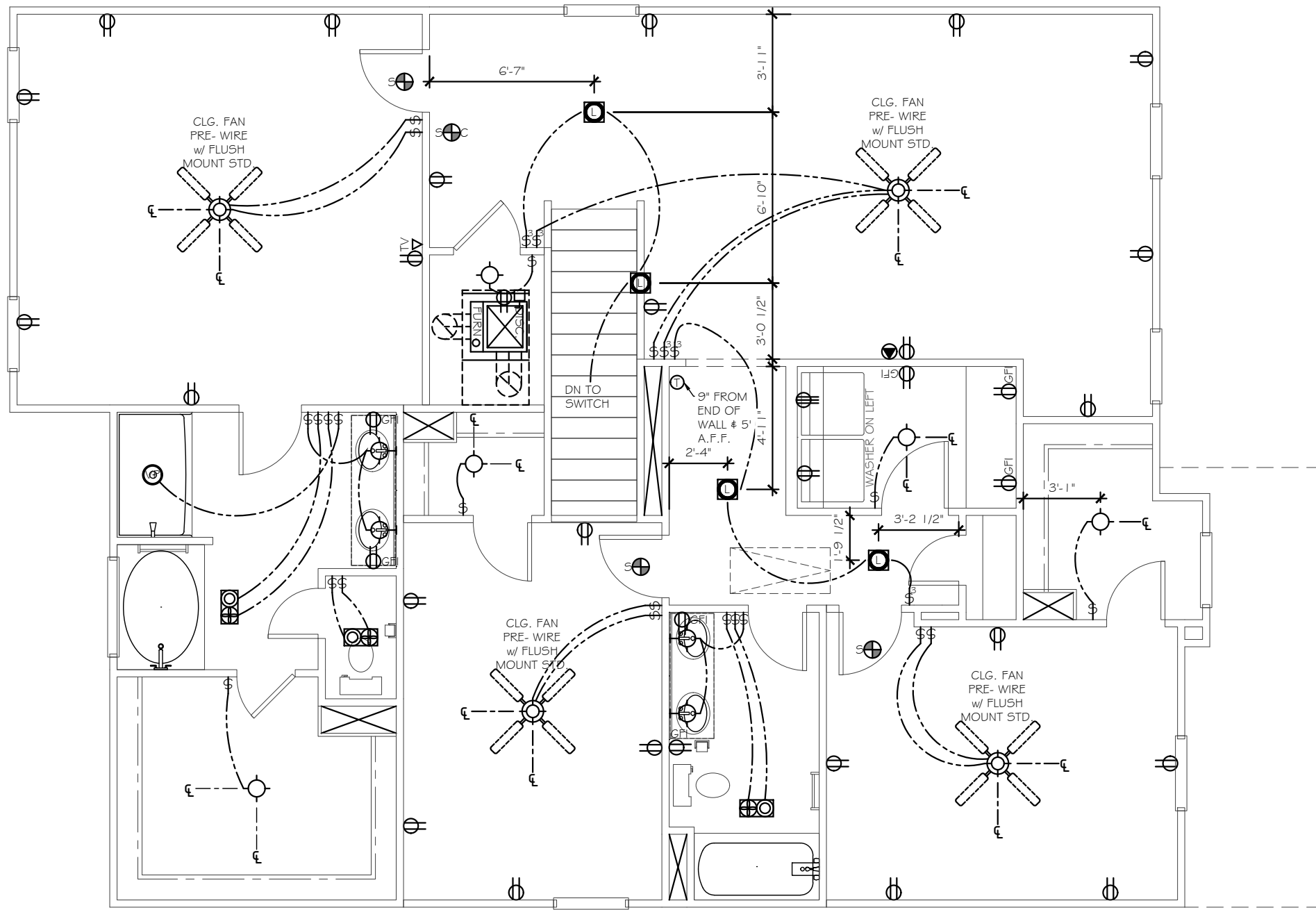
SHEET:  
**E1.1**

**FIRST FLOOR ELECTRICAL PLAN**

ELECTRICAL LEGEND	
*	INDICATES ADDITIONAL OUTLET PER CLIENT
⊕	OUTLET 110V (D=DEDICATED CIRCUIT)
5' AFF ⊕	RECESSED OUTLET 110V
⊕	OUTLET 220V (D=DEDICATED CIRCUIT)
⊕ W/P	OUTLET 110V WATER PROOF
GFI ⊕	OUTLET 110V GFI (D=DEDICATED CIRCUIT)
⊕	FLOOR OUTLET 110V
⊕	SWITCHED OUTLET
⊕ USB	DUAL USB OUTLET (3.1 AMP)
7' AFF GFI ⊕	EXT. RECESSED OUTLET * TV w/ COVER
TV	TV WALL JACK
⊕	PHONE / DATA JACK
⊕	THERMOSTAT
S ⊕	SMOKE / CO DETECTOR
S ⊕	SMOKE DETECTOR
⊕	SWITCH
⊕	3-WAY SWITCH
⊕	4-WAY SWITCH
⊕	DIMMER SWITCH
⊕	PUSH BUTTON
⊕	WALL MOUNT LIGHT FIXTURE
⊕	CEILING LIGHT
⊕	HANGING LIGHT
J	JUNCTION BOX / PREWIRE
⊕	RECESSED CAN LIGHT
⊕	LED CAN LIGHT
⊕	VAPOR PROOF CAN LIGHT
⊕	MINI-CAN LIGHT
I	UNDER CABINET LIGHT
⊕	WALL SCONCE (STD 72" AFF UNO)
⊕	FLOOD LIGHT - LOCATION TO BE VERIFIED IN FIELD WITH BUILDER/CLIENT
⊕	PENDANT LIGHT (6'-7" AFF STD)
⊕	EXHAUST FAN
⊕	EXHAUST FAN / LIGHT
⊕	KEYLESS ENTRY
⊕	CEILING FAN PRE-WIRE OR FIXTURE AS NOTED
⊕	ELECTRIC PANEL (METER LOCATION MAY VARY)
DISC.	DISCONNECT BOX
HTC	DED. HOT TUB CIRCUIT (50amp, 240v GFI)

LOW VOLTAGE LEGEND	
TEC CAN	
⊕	36" WHIP IN WALL
⊕	(NO OUTLET)
HD LINK	
5' AFF HD-L	HD-L
•	CHASE PIPE
•	HDMI CABLE
•	2 CAT5E DATA
•	TV/DATA JACK
•	110v OUTLET (RECESSED AFF)
•	110v OUTLET (STANDARD)
CHASE PIPE	
5' AFF CH-F	CH-P
•	CHASE PIPE WALL PLATES (OUTLET SEPARATE)
S	SPEAKER
PWS	PRE-WIRE FOR SPEAKER
●	WALL PLATE CONTROL
CHECK SELECTIONS FOR COMPLETE LOW VOLTAGE LAYOUT.	
LOW VOLTAGE TRADE RESPONSIBLE FOR LOCATING AND INSTALLING ALL SELECTED PRODUCTS.	

**ELEC. NOTICE**  
 ROOMS WITH WAINSCOT PER SELECTIONS REQUIRE OUTLETS TO BE PLACED 1'-0" FROM CORNER OR CENTERED ON WALL AT STANDARD HEIGHT ( U.N.O.).  
 \*\*EXCLUDES HALLWAYS\*\*



CHECK SELECTIONS FOR CPI LAYOUT. ALL TV, PHONE, CABLE, AUDIO, AND SECURITY SYSTEM OUTLETS WILL BE LOCATED PER CPI LAYOUT, REGARDLESS OF WHETHER TV AND PHONE ARE SHOWN.

ELECTRICAL TO BE PLACED PER CODE IN THE FIELD. SEE QUALITY STANDARDS FOR HEIGHTS

PLACE GAS METER MAX 15' AWAY FROM ELECTRICAL METER IF APPLICABLE

**TrueHomes**  
 IT'S ALL ABOUT U  
 2649 Breckridge Centre Dr.  
 Suite 104  
 Monroe, N.C. 28110  
 704-271-1191

WALKERS GROVE  
 LOT# 1

HUNTLEY  
 2630

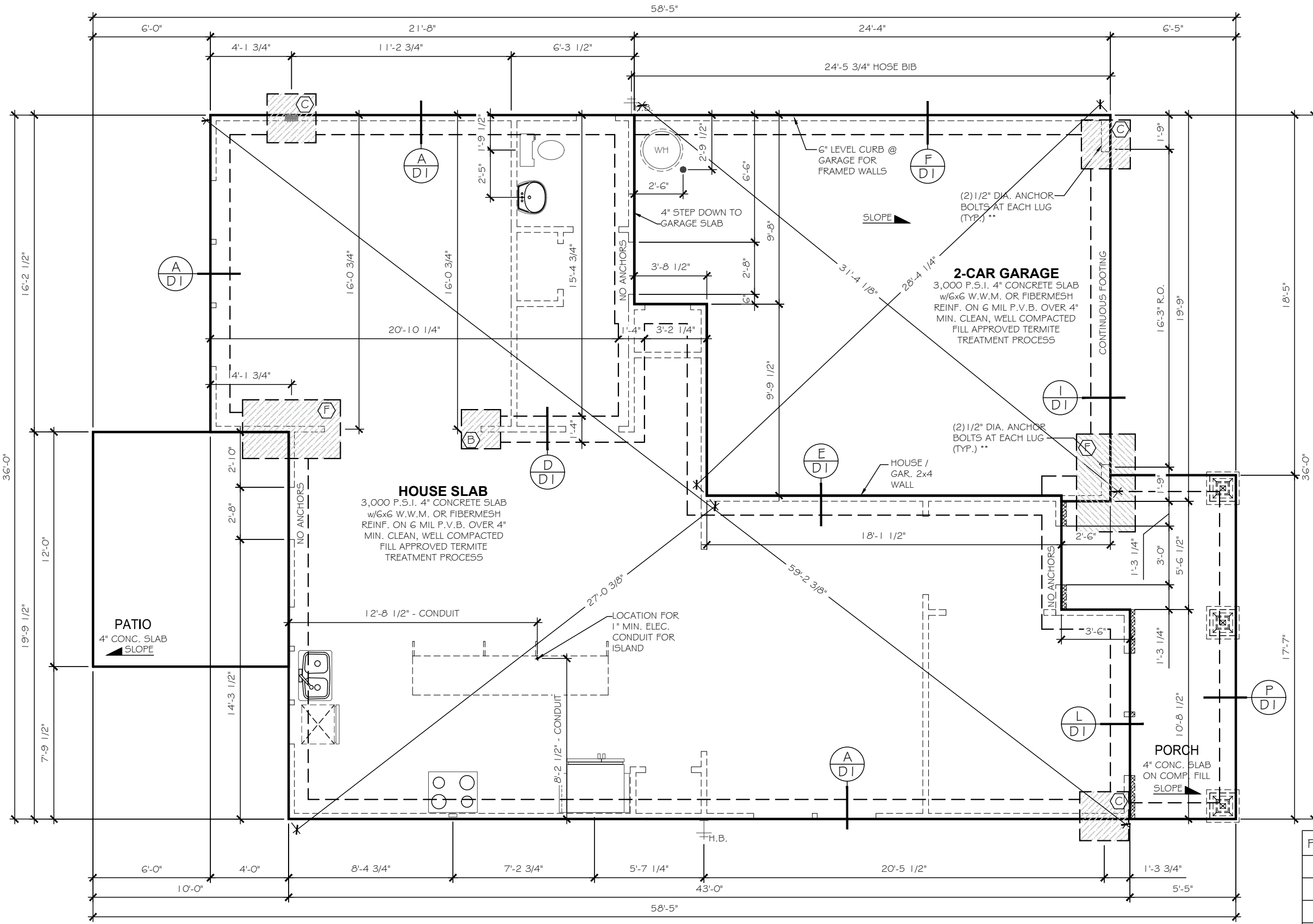
HARNETT

Copyright True Homes L.L.C. All rights reserved. The duplication, reproduction, copying, sale, rental, licensing, or any other distribution or use of these drawings, any portion thereof, or the plans depicted hereon is strictly prohibited.  
 PREPARED BY:  
 WALTER  
 DATE:  
 3-24-21  
 SCALE:  
 3/16"=1'-0"  
 REVIEWED BY:  
 CHUCK

SHEET:  
**E1.2**

SECOND FLOOR ELECTRICAL PLAN





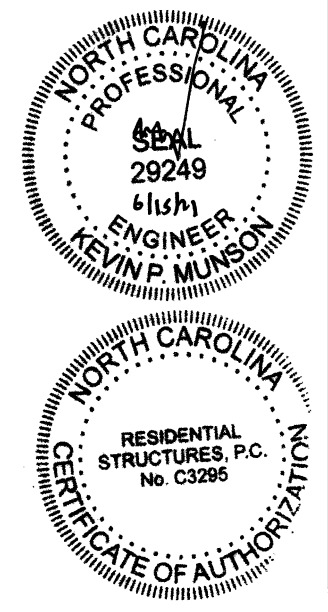
**MONO SLAB FOUNDATION PLAN**

PAD FOOTING SIZES	
KEYNOTE	SIZE
A	18"x18"x8" w/3-#4's E.W.
B	24"x24"x12" w/4-#4's E.W.
C	30"x30"x12" w/4-#4's E.W.
D	36"x36"x12" w/4-#4's E.W.
E	48"x48"x12" w/6-#4's E.W.
F	36"x60"x12" w/#4's @ 6" O.C. E.W.

LENGTH x WIDTH x DEPTH [ REBAR REQ'D ]  
 DEPTH TO INCLUDE SLAB THICKNESS

PREPARED BY:  
**WALTER**  
 DATE:  
 3-24-21  
 SCALE:  
 3/16"=1'-0"  
 REVIEWED BY:  
**CHUCK**

SHEET:  
**S1**



**RESIDENTIAL STRUCTURES, P.C.**  
 3410 N. Davidson St.  
 Charlotte, N.C. 28205  
 Seal For Structural Only

**TrueHomes**  
 IT'S ALL ABOUT U  
 2649 Breckridge Centre Dr.  
 Suite 104  
 Monroe, N.C. 28110  
 704-271-1191

**WALKERS GROVE**  
**LOT# 1**

**HUNTLEY**  
 2630

**HARNETT**

Copyright True Homes L.L.C. All rights reserved. The duplication, reproduction, copying, sale, rental, licensing, or any other distribution or use of these drawings, any portion thereof, or the plans depicted hereon is strictly prohibited.

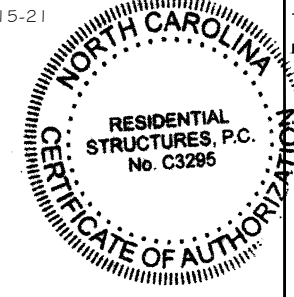
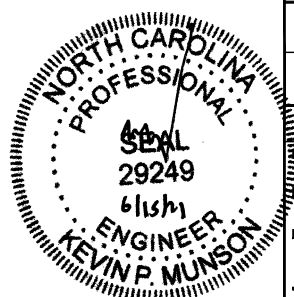
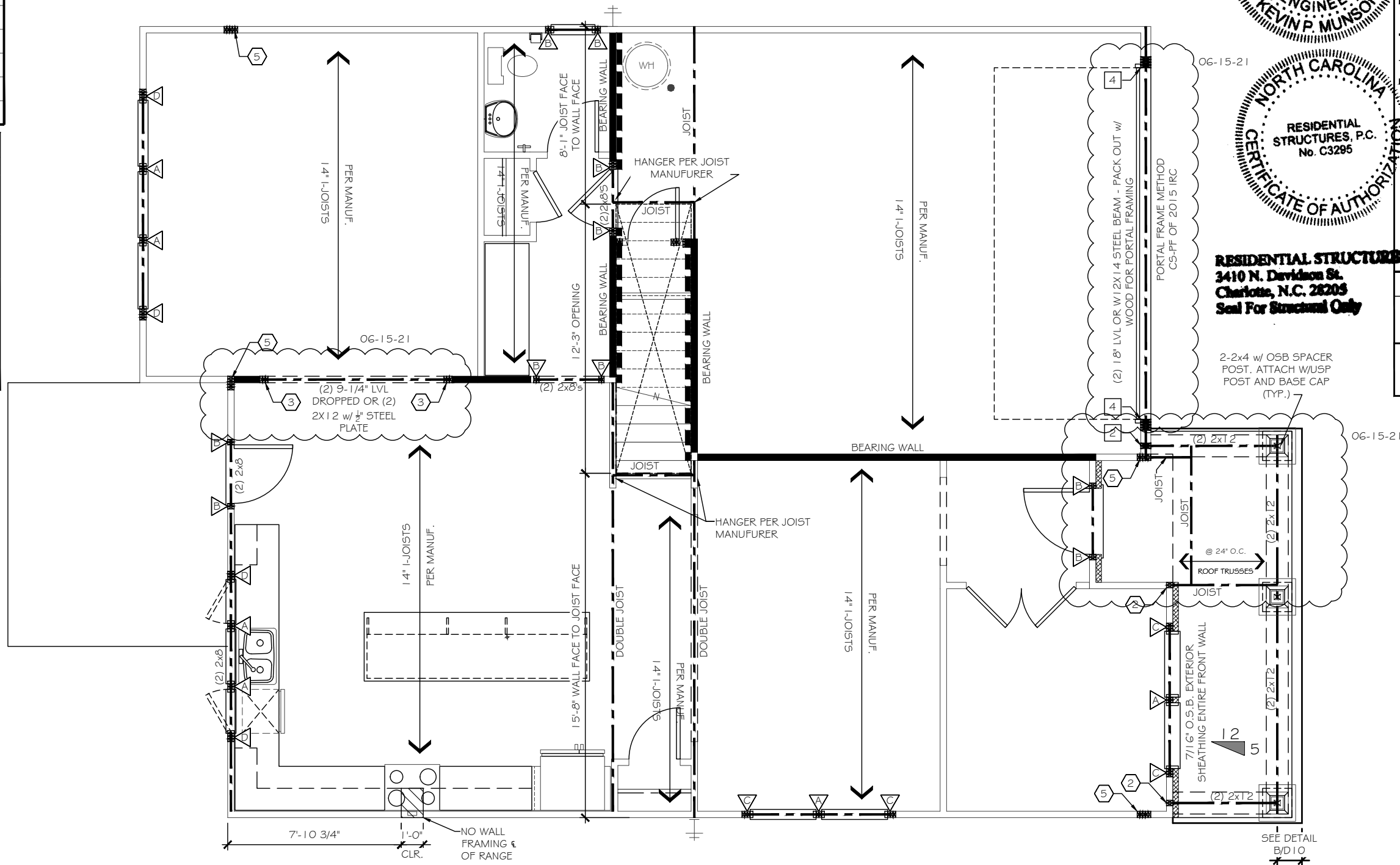
\*\*SEE COVER PAGE FOR\*\*  
ROUGH OPENING DIMENSIONS

**KING / JACK STUD SCHEDULE**

	(2) JACKS
	(1) JACK & (1) KING
	(1) JACK & (2) KINGS
	(1) JACK & (3) KINGS
	(2) JACKS & (1) KING
	(2) JACKS & (2) KINGS
	(2) JACKS & (3) KINGS
	(3) JACKS & (3) KINGS
	(4) JACKS & (4) KINGS

**POST SCHEDULE**

2x4 STUDS	2x6 STUDS
EX: (2) 2X4	EX: (2) 2X6
NUMBER INSIDE CALLOUT INDICATES TOTAL NUMBER OF STUDS.	
4X4 POST	6X6 POST
LETTER 'P' INSIDE CALLOUT INDICATES A SOLID 4x4 or 6x6 POST	



**RESIDENTIAL STRUCTURES, P.C.**  
3410 N. Davidson St.  
Charlotte, N.C. 28205  
Seal For Structural Only

CODE REFERENCE PER STATE	
NORTH CAROLINA	:2018 NCRC (TABLE R602.10.1)
SOUTH CAROLINA	:2018 IRC (TABLE R602.10.4)
STRUCTURAL LEGEND	
	BEARING WALL
	METHOD GB OF LOCAL CODE
	BEARING WALL W/ METHOD GB OF LOCAL CODE
	CENTER OF BEAM / JOIST / GIRDER TRUSSES
	METHOD CS-W5P (UNO)
	INTERIOR SHEAR WALL PER HIGH WIND NOTE I.C
	USP L5TA24 HOLDDOWN OR EQ.
	USP STAD I4 HOLDDOWN OR EQ.
	USP DTB-TZ HOLDDOWN OR EQ.
	USP PHD8 HOLDDOWN OR EQ.
	USP RS-150 COIL STRAP HOLDDOWN (36" LONG - 12" MIN. END LAP)
ALTERNATE SILL PLATE ANCHORAGE ILO STRAPS	
1/2" ANCHOR BOLTS @ 6'-0" O.C. w/ 7" EMBEDMENT INTO MASONRY or EQUIVALENT MECHANICAL FASTENER - MAX 12" FROM WALL CORNERS	
SEE TRUSS HEEL BLOCKING/SHEATHING REQUIREMENTS SHEET D3	
	10d NAILS AT 8" O.C. 2 ROWS STAGGERED EACH SIDE
	2X4 STUD WITH 1/4" OSB SPACER
	2X4 STUD COLUMN 1" x 1'-0"

**TrueHomes**  
IT'S ALL ABOUT U  
2649 Breckridge Centre Dr.  
Suite 104  
Monroe, N.C. 28110  
704-271-1191

WALKERS GROVE  
LOT# 1

HUNTLEY 2630  
HARNETT

Copyright True Homes L.L.C. All rights reserved. The duplication, reproduction, copying, sale, rental, licensing, or any other distribution or use of these drawings, any portion thereof, or the plans depicted hereon is strictly prohibited.  
PREPARED BY: WALTER  
DATE: 3-24-21  
SCALE: 3/16"=1'-0"  
REVIEWED BY: CHUCK

SHEET: S2.1

FLOOR FRAMING PLAN

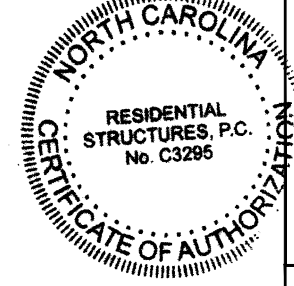
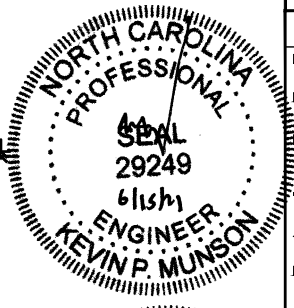
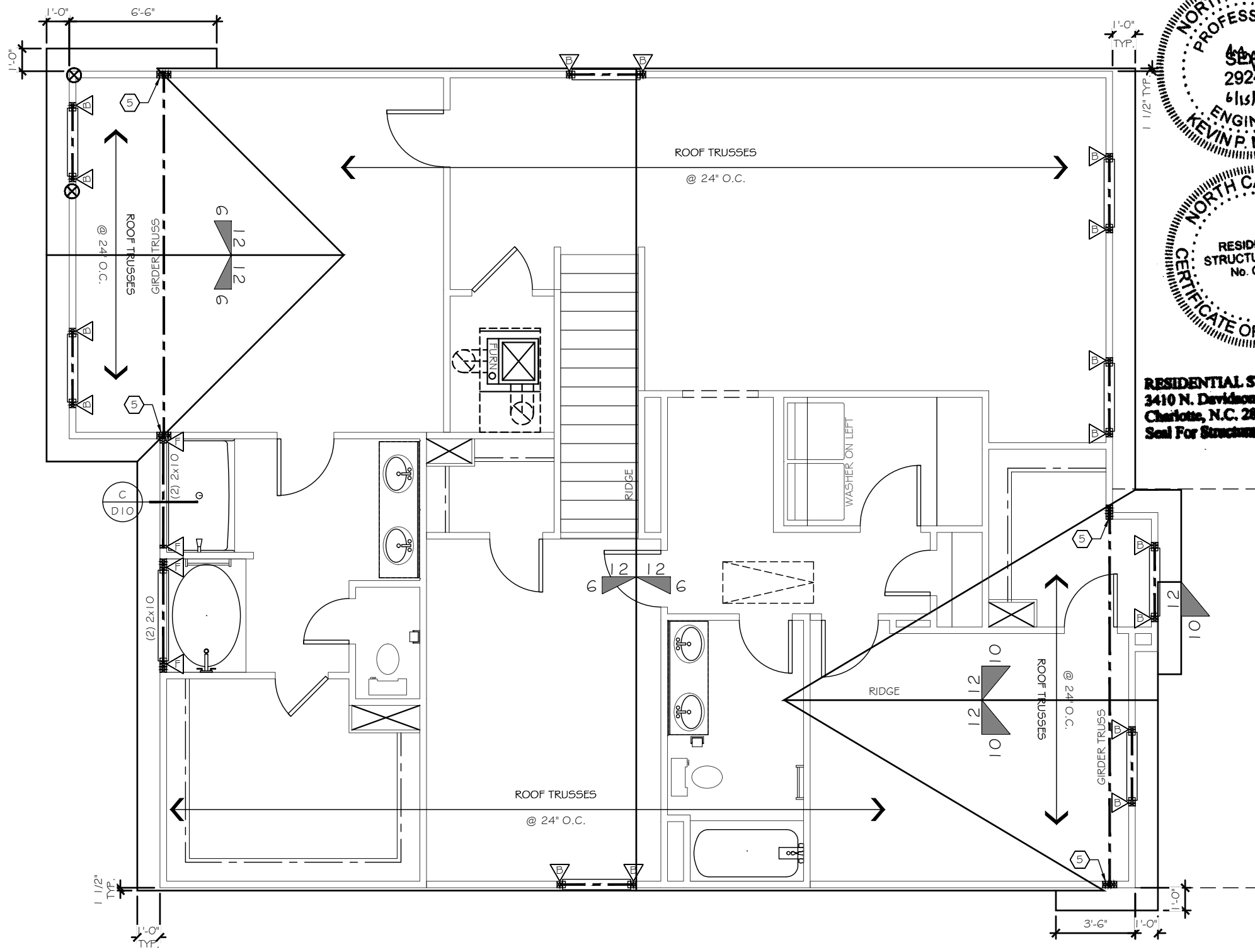
\*\*SEE COVER PAGE FOR\*\*  
ROUGH OPENING DIMENSIONS

**KING / JACK STUD SCHEDULE**

△ (2) JACKS
△ (1) JACK # (1) KING
△ (1) JACK # (2) KINGS
△ (1) JACK # (3) KINGS
△ (2) JACKS # (1) KING
△ (2) JACKS # (2) KINGS
△ (2) JACKS # (3) KINGS
△ (3) JACKS # (3) KINGS
△ (4) JACKS # (4) KINGS

**POST SCHEDULE**

2x4 STUDS	2x6 STUDS
EX: (2) 2X4	EX: (2) 2X6
NUMBER INSIDE CALLOUT INDICATES TOTAL NUMBER OF STUDS.	
4X4 POST	6X6 POST
EX: (P)	EX: (P)
LETTER 'P' INSIDE CALLOUT INDICATES A SOLID 4x4 or 6x6 POST	



**RESIDENTIAL STRUCTURES, P.C.**  
3410 N. Davidson St.  
Charlotte, N.C. 28205  
Seal For Structural Only

CODE REFERENCE PER STATE	
NORTH CAROLINA	:2018 NCRC (TABLE R602.10.1)
SOUTH CAROLINA	:2018 IRC (TABLE R602.10.4)
STRUCTURAL LEGEND	
	BEARING WALL
	METHOD GB OF LOCAL CODE
	BEARING WALL W/ METHOD GB OF LOCAL CODE
	CENTER OF BEAM / JOIST / GIRDER TRUSS
	METHOD CS-WSP (UNO)
	INTERIOR SHEAR WALL PER HIGH WIND NOTE I.C
	USP L5TA24 HOLDDOWN OR EQ.
	USP STAD14 HOLDDOWN OR EQ.
	USP DTB-TZ HOLDDOWN OR EQ.
	USP PHD8 HOLDDOWN OR EQ.
	USP RS-150 COIL STRAP HOLDDOWN (36" LONG - 12" MIN. END LAP)
ALTERNATE SILL PLATE ANCHORAGE ILO STRAPS	
6" ANCHOR BOLTS @ 6'-0" O.C. w/ 7" EMBEDMENT INTO MASONRY or EQUIVALENT MECHANICAL FASTENER - MAX 12" FROM WALL CORNERS	
SEE TRUSS HEEL BLOCKING/SHEATHING REQUIREMENTS SHEET D3	

ATTIC VENTILATION CALCULATIONS			
RIDGE VENT NET FREE AREA	= 16 SQ. IN. PER LINEAR FT.		
SOFFIT VENT NET FREE AREA	= 9 SQ. IN. PER LINEAR FT.		
ATTIC AREA (TOTAL)	= 1600 SQ.FT.		
ATTIC VENTILATION (REQUIRED)	= 1600 / 300 = 5.33 SQ.FT. =	768.00 SQ.IN.	
RIDGE VENT	= 44 FT x 16 SQ.IN. =	704	SQ. IN. NET FREE AREA
SOFFIT VENT	= 74 FT x 9 SQ.IN. =	666	SQ. IN. NET FREE AREA
TOTAL	= 1370 SQ. IN. NET FREE AREA	> 768.00	SQ. IN. REQUIRED

**TrueHomes**  
IT'S ALL ABOUT U  
2649 Breckridge Centre Dr.  
Suite 104  
Monroe, N.C. 28110  
704-271-1191

WALKERS GROVE  
LOT# 1

HUNTLEY 2630  
HARNETT

Copyright True Homes L.L.C. All rights reserved. The duplication, reproduction, copying, sale, rental, licensing, or any other distribution or use of these drawings, any portion thereof, or the plans depicted hereon is strictly prohibited.  
PREPARED BY:  
**WALTER**  
DATE:  
3-24-21  
SCALE:  
3/16"=1'-0"  
REVIEWED BY:  
**CHUCK**

SHEET:  
**S3.1**

ROOF FRAMING PLAN



# GENERAL NOTES

## RESIDENTIAL FOUNDATIONS:

- ALL CONTINUOUS WALL FOOTINGS ARE 8" X 12" FOR ONE-STORY AND 8" X 16" FOR TWO-STORY HOUSES UNLESS OTHERWISE NOTED. REINFORCING IS TO BE AS NOTED ON PLANS. FOOTINGS ON ORIGINAL SOIL DO NOT NEED REBAR. REBAR IS REQUIRED ON ANY COMPACTED FILL REGARDLESS OF COMPACTION.
- ALL INTERIOR PIERS ARE 8" X 16" CMU UP TO A MAXIMUM HEIGHT OF 32". ALL PIERS OVER 32" HIGH MUST BE FILLED WITH TYPE S MORTAR. MAXIMUM HEIGHT FOR 8" X 16" FILLED PIER IS 6'-8". PIERS LARGER THAN 8" X 16" ARE NOTED ON PLANS AND MUST BE FILLED WITH TYPE S MORTAR. FOR ONE-STORY STRUCTURES, PIER CAPS ARE TO BE 4" SOLD MASONRY. FOR TWO-STORY STRUCTURES, PIER CAPS ARE TO BE 8" OF SOLID MASONRY.
- FOOTINGS FOR 8" X 16" PIERS ARE 24" X 36" X 10" UNLESS NOTED OTHERWISE. REINFORCING IS TO BE AS NOTED ON PLANS.
- INTERIOR THICKENED SLAB FOOTINGS WHICH OCCUR IN BASEMENTS AND "SLAB ON GRADE" FLOORS ARE 10" DEEP BY 16" WIDE WITH 2-#4 REINFORCING BARS RUNNING CONTINUOUSLY UNLESS NOTED OTHERWISE. THICKENED FOOTINGS ARE REQUIRED UNDER ALL BEARING WALLS.
- ALL REBAR SPLICES SHALL BE A MINIMUM OF 2'-0" UNLESS OTHERWISE NOTED.
- SHALLOW FOUNDATIONS ARE DESIGNED FOR AN ASSUMED SOIL BEARING CAPACITY OF 2,000 PSF. THE CONTRACTOR IS RESPONSIBLE FOR NOTIFYING THE ENGINEER OF RECORD IF ANY SOILS ARE FOUND TO BE UNSUITABLE FOR THIS BEARING CAPACITY. THE CONTRACTOR IS RESPONSIBLE FOR OBTAINING SOIL TESTING TO ENSURE THAT THE BEARING CAPACITY OF THE SOIL MEETS OR EXCEEDS THIS VALUE. ALL FILL IS TO BE COMPACTED TO 95% DENSITY AS MEASURED BY THE STANDARD PROCTOR TEST (ASTM D-698).
- ALL SOILS AND FILL UNDER FLOORS AND/OR WITHIN OR UNDER BUILDINGS SHALL HAVE PRECONSTRUCTION SOIL TREATMENT FOR PROTECTION AGAINST TERMITES. CERTIFICATION OF COMPLIANCE SHALL BE ISSUED TO THE BUILDING DEPARTMENT BY A LICENSED PEST CONTROL COMPANY.
- ALL FOOTING EXCAVATIONS SHALL BE NEAT, STRAIGHT, AND LEVEL IN THE PROPER ELEVATIONS TO RECEIVE THE CONCRETE. EXCESSIVE VARIATIONS IN THE DIMENSIONS OF FOOTINGS OR SLABS WILL NOT BE PERMITTED. REINFORCING STEEL AND MESH SHALL BE ACCURATELY PLACED AND SUPPORTED TO MAINTAIN THEIR POSITION DURING THE CONCRETE POURING. EDGE FORMS SHALL BE USED FOR CONCRETE THAT WILL BE EXPOSED.
- ALL SLAB PENETRATIONS ARE TO BE THE RESPONSIBILITY OF THE CONTRACTOR. PENETRATIONS INTERFERING WITH REINFORCING SHALL BE APPROVED BY THE ENGINEER OF RECORD PRIOR TO THE PLACEMENT OF CONCRETE.
- ELEVATIONS DIFFERENCES BETWEEN THE BOTTOM OF ADJACENT FOOTINGS SHALL BE LESS THAN THEIR HORIZONTAL DISTANCE LESS ONE FOOT. DIFFERENTIAL HEIGHTS BETWEEN FOOTINGS CAN BECOME EXCESSIVE USUALLY WHERE A PIER FOOTING IN A CRAWLSPACE OR GARAGE FOOTING IS NEXT TO A BASEMENT WALL FOOTING.

## SPECIAL FOUNDATION CONSIDERATIONS:

- CAISSON FOUNDATIONS SHALL BE A MINIMUM OF 12" DIAMETER DRILLED UNREINFORCED CONCRETE CAISSONS. CAISSONS SHALL EXTEND TO A MINIMUM DEPTH PROVIDING 2' PENETRATIONS INTO GOOD ORIGINAL GROUND. DEPTH OF DRILLING IS LIMITED TO 15'. THEREFORE, NO POOR MATERIAL MORE THAN 13' DEEP IS SUITABLE FOR A CAISSON FOUNDATION. A CAISSON CANNOT BE USED IF WATER RISES IMMEDIATELY INTO A DRILLED HOLE. PILES WILL HAVE TO BE USED IN SUCH CASES.
- TREATED WOOD PILES WITH A MINIMUM DIAMETER OR 6" AND A MINIMUM DESIGN LOAD OF SIX TONS ARE USED FOR ALL FOUNDATIONS WITH UNSUITABLE SOIL DEEPER THAN 13' OR WITH WATER IN DRILLED CAISSON HOLES. DRIVE PER NORTH CAROLINA OR SOUTH CAROLINA CODE.
- SIZES AND REINFORCING FOR FOOTING CAPS OVER CAISSONS OR PILES SHALL BE AS SHOWN ON PLANS.
- CHIMNEY FOOTINGS ARE TO BE 12" LARGER THAN THE CHIMNEY FOOTPRINT BY 12" THICK.
- FOUNDATION WALLS BACKFILLED WITH DIRT WHICH SUPPORT STRUCTURAL FRAMING SHALL BE CONSTRUCTED AS FOLLOWS:
  - FOR EARTH FILL UP TO A MAXIMUM HEIGHT OF 4': USE 8" CMU OR 8" BRICK WITH BUTYTHENE MEMBRANE WATERPROOFING ON EXTERIOR. FOOTINGS ARE TO BE 8" X 16" OR 8" X 24" AS NOTED ON THE PLAN.
  - FOR EARTH FILL UP TO A MAXIMUM HEIGHT OF 9': USE 8" X 24" FOOTING WITH #4 AT 16" DOWELS HOOKED IN FOOTING AND PROJECTING 18" ABOVE FOOTINGS. USE 12" CMU WALLS WITH #4 AT 16" VERTICAL BARS LOCATED 4" FROM NON-DIRT FILL FACE, LAP ALL SPLICES 12" AND USE DUR-O-WALL HORIZONTAL REINFORCING EVERY 8" IN CMU JOINTS. INSTALL 1 #3 L-BAR WITH 24" LEGS IN EVERY OTHER JOINT HORIZONTALLY AT ALL CORNERS; I.E., #3 CORNER BARS AT 16" O.C. VERTICALLY. FILL ALL OPEN CELLS OF CMU WITH EITHER TYPE S OR M MORTAR OR FILL WITH 2,500 PSI CONCRETE. INSTALL WATERPROOF BUTYTHENE MEMBRANE OR EQUAL.
  - IN LIEU OF THE PRECEDING DESIGN, BASEMENT WALLS MAY BE CONSTRUCTED IN ACCORDANCE WITH R404.1 OF THE CODE. HOWEVER, 24" X 24", #3 CORNER BARS SHALL BE INSTALLED AT 16" O/C VERTICALLY REGARDLESS OF THE WALL HEIGHT. ERECT ALL FRAMING BEFORE BACKFILLING.
- FOR RETAINING WALLS WITHOUT FRAMING SEE SPECIAL DESIGNS ON DRAWINGS.

## FRAMING CONSTRUCTION - OTHER THAN ROOF:

- SEE TABLE R602.3(1) OF THE CODE FOR A FASTENER SCHEDULE FOR STRUCTURAL MEMBERS.
- WOOD BEAMS SHALL BE SUPPORTED BY METAL HANGERS OF ADEQUATE CAPACITY WHERE FRAMING INTO BEAMS OR LEDGERS. THE ALLOWABLE LOAD CAPACITY OF THE HANGER SHALL BE EQUAL TO OR GREATER THAN THE LOAD SPECIFIED ON THE PLAN. WHERE NO LOAD IS SPECIFIED, THE "LIGHTEST" AVAILABLE HANGER FOR THE APPLICATION IS ACCEPTABLE.
- CRAWL GIRDERS AND BAND WITH 4" CURTAIN WALL AND PIER CONSTRUCTION SHALL BE 2-2 X 10 SOUTHERN YELLOW PINE #2 UNLESS NOTED OTHERWISE. MAXIMUM CLEAR SPANS ARE TO BE 4'-8" (6'-0" O/C SPACING OF PIERS). TO AVOID OBJECTIONABLE CRACKING IN FINISHED HARDWOOD FLOORS OVER ANY GIRDERS, USE THE FOLLOWING PROCEDURE:
  - NAILING
    - ALL FLOOR JOISTS MUST BE TOENAILED TO THEIR SUPPORT GIRDERS WITH A MINIMUM OF 3-8D NAILS AT EACH END. LARGER NAILS WILL SPLIT AND RENDER THE TOENAIL INEFFECTIVE. NO END NAILING THROUGH THE GIRDER OR BAND IS PERMITTED.
    - IF DROPPED GIRDERS ARE USED, END LAP ALL JOISTS AND SIDE NAIL EACH WITH A MINIMUM OF 3-1 6D NAILS AT EACH END OF EACH JOIST. LEDGER STRIPS SHOULD BE SPACED 3" APART AND NAILED WITH 3-1 6D NAILS AT EACH JOIST END.
    - NAIL MULTIPLE MEMBER BUILT-UP GIRDERS WITH TWO ROWS OF 1 6D NAILS STAGGERED AT 32" O/C, 2" DOWN FROM THE TOP AND 2" UP FROM THE BOTTOM WITH 3-1 6D NAILS AT EACH END OF EACH PIECE IN THE JOIST THROUGH THE MEMBERS MAKING UP THE MULTIPLE GIRDER.
    - THIS NAILING PATTERN WILL ENSURE A TIGHT FLOOR FROM THE OUTSIDE OF THE HOUSE TO THE OUTSIDE SO THAT WHEN THE FRAMING SHRINKS DURING THE FIRST HEATING SEASON, THE SHRINKAGE WILL BE UNIFORMLY DISTRIBUTED OVER THE ENTIRE FLOOR. IF THE GIRDER NAILING PATTERN IS OMITTED, THEN THE SHRINKAGE WILL ACCUMULATE OVER THE GIRDERS AND AN OBJECTIONABLE CRACK WILL DEVELOP IN THE FINISHED HARDWOOD FLOOR OVER THE GIRDER LINE.
  - AT ALL GIRDERS WHERE THE JOISTS CHANGE DIRECTION, INSTALL BRIDGING AT 6' O/C FOR A MINIMUM OF SIX JOIST SPACINGS BEYOND ANY JOIST DIRECTION CHANGE. THIS WILL INSURE SHRINKAGE DISTRIBUTION OVER THE FLOOR AND NOT LET IT ACCUMULATE AT THE GIRDER.
  - THERE MUST BE WOOD BLOCKING THRU BOLTED TO THE STEEL BEAM WITH JOISTS TOENAILED OR ATTACHED TO THE BEAM WITH METAL HANGERS UNDER ANY HARDWOOD FLOORS THAT PASS OVER A STEEL BEAM SUPPORTING FLOOR JOISTS. THIS CONDITION OFTEN EXISTS OVER BASEMENT AREAS.
- ALL OTHER LUMBER MAY BE SPRUCE #2 UNLESS NOTED OTHERWISE.
- "LAM" BEAMS MUST HAVE 3-2x4 STUD JACKS UNDER EACH END SUPPORT UNLESS NOTED OTHERWISE.
- MASONRY INLETS:
  - FOR SPANS UP TO 6': USE 3 1/2" X 3 1/2" X 1/4" STEEL ANGLES.
  - FOR SPANS FROM 6' TO 10': USE 5" X 3 1/2" X 5/16" STEEL ANGLES.
  - FOR SPANS FROM 9' TO 18': USE A PAIR OF 9-GAUGE WIRES IN EACH OF THE FIRST 3 COURSES OF BRICK ON A 5" X 3 1/2" X 5/16" STEEL ANGLE. LAP ALL 9-GAUGE WIRE SPLICES A MINIMUM OF 12" AND EXTEND WIRES A MINIMUM OF 12" INTO JAMBS. TEMPORARILY SUPPORT THE STEEL ANGLES BEFORE LAYING MASONRY. THE SHORING MAY BE REMOVED FIVE DAYS FOLLOWING THE INSTALLATION OF MASONRY.
  - WHEN STRUCTURAL STEEL BEAMS WITH BOTTOM PLATES ARE USED TO SUPPORT MASONRY, THE BOTTOM PLATE MUST EXTEND THE FULL LENGTH OF THE STEEL BEAM. THIS PROVIDES SUPPORT TO THE ENDS OF THE PLATE BY BEARING ON THE ADJACENT MASONRY JAMBS. THE BEAM SHOULD BE TEMPORARILY SHORED PRIOR TO LAYING THE MASONRY. THE SHORING MAY BE REMOVED FIVE DAYS AFTER LAYING THE MASONRY.
- ALL BRICK VENEER OVER LOWER ROOFS (BRICK CLIMBS) MUST HAVE A STRUCTURAL ANGLE LAG SCREWED TO AN ADJACENT STUD WALL IN ACCORDANCE WITH DETAIL WITH STEEL BRICK STOPS TO PREVENT SLIDING OF BRICK.
- ALL RAFTER BRACES MUST HAVE TWO STUDS FROM PLATE THROUGH ALL FLOORS TO THE FOUNDATION OR SUPPORTING BEAM BELOW. NO BRACES SHALL BE ATTACHED TO TOP WALL PLATE WITHOUT STUDS DIRECTLY UNDER THEM.

## MATERIALS SPECIFICATIONS:

### CONCRETE GENERAL NOTES:

- EXCEPT WHERE OTHERWISE NOTED, FOR ALL CONCRETE, THE PROPORTIONS OF CEMENT, AGGREGATE, AND WATER TO OBTAIN REQUIRED PLASTICITY AND COMPRESSIVE STRENGTH SHALL BE IN ACCORDANCE WITH ACI 318 CODE. CONCRETE SHALL BE 2,500 PSI IN 28 DAYS FOR FOOTINGS AND 2,500 PSI FOR WALLS, BEAMS, AND COLUMNS, UNLESS NOTED OTHERWISE.
- BEFORE PLACING CONCRETE, ALL DEBRIS, WATER AND OTHER DELETERIOUS MATERIAL SHALL BE REMOVED FROM THE PLACES TO BE OCCUPIED BY THE CONCRETE. THE PLACING OF THE CONCRETE SHALL BE IN ACCORDANCE WITH ACI 318 AND ASTM C94 REQUIREMENTS. PUMPING OF CONCRETE WILL BE PERMITTED ONLY WITH THE ENGINEER OF RECORD'S APPROVAL OF PROPOSED CONCRETE MIX AND METHOD OF PUMPING. CONCRETE SHALL BE RAPIDLY HANDLED FROM THE MIXER TO FORMS AND DEPOSITED AS NEARLY AS POSSIBLE TO ITS FINAL POSITION TO AVOID SEGREGATION DUE TO REMANUING. CONCRETE TO BE SPADED AND WORKED BY HAND AND VIBRATED TO ASSURE CLOSE CONTACT WITH ALL SURFACES OF FORMS AND REINFORCING STEEL AND LEVELED OFF AT PROPER GRADE TO RECEIVE FINISH. ALL CONCRETE SHALL BE PLACED UPON CLEAN, DAMP SURFACES. VIBRATION SHALL BE APPLIED DIRECTLY TO THE CONCRETE AND SHALL BE SUFFICIENT TO CAUSE FLOW OF SETTLEMENT BUT NOT LONG ENOUGH TO CAUSE SEGREGATION OF THE MIX.
- CONSTRUCTION JOINTS SHALL BE LOCATED IN ACCORDANCE WITH ACI 301. ALL REINFORCING STEEL SHALL BE CONTINUOUS ACROSS JOINTS. IN SLABS ON GRADE, SAW CONTRACTION JOINTS SHALL NOT BE OVER 20 FEET CENTER TO CENTER EACH WAY. JOINTS SHALL BE SAWN A DEPTH OF ONE-THIRD OF THE SLAB THICKNESS. SAWING OF THE JOINTS SHALL COMMENCE AS SOON AS THE CONCRETE HAS HARDENED SUFFICIENTLY TO PERMIT SAWING WITHOUT EXCESSIVE RAVELING. FILL THE SAW CUTS WITH APPROVED JOINT FILLER AFTER THE CONCRETE HAS CURED.
- CONCRETE, WHEN DEPOSITED, SHALL HAVE A TEMPERATURE NOT BELOW 50°F AND NOT ABOVE 90°F. THE METHODS AND RECOMMENDED PRACTICES AS DESCRIBED IN ACI 306 SHALL BE FOLLOWED FOR COLD WEATHER CONCRETING AND ACI 305 FOR HOT WEATHER CONCRETING.
- FRESHLY PLACED CONCRETE SHALL BE PROTECTED FROM PREMATURE DRYING BY ONE OF THE FOLLOWING METHODS:
  - SPRINKLING OR CONTINUOUS SPRINKLING.
  - ABSORPTIVE MAT OR FABRIC KEPT CONTINUOUSLY WET.
  - WATERPROOF PAPER CONFORMING TO ASTM C171.
  - APPLICATION OF AN APPROVED CHEMICAL CURING COMPOUND.
 THE CURING SHALL CONTINUE UNTIL THE CUMULATIVE NUMBER OR DAYS WHEN THE AMBIENT TEMPERATURE ABOVE 50°F HAS TOTALED SEVEN. DURING CURING, THE CONCRETE SHALL BE PROTECTED FROM ANY MECHANICAL INJURY, LOAD STRESSES, SHOCK, VIBRATION, OR DAMAGE TO FINISHED SURFACES.
- REINFORCING STEEL BARS SHALL BE DEFORMED IN ACCORDANCE WITH ASTM A305 AND OR A408 AND FORMED OF ASTM A615-78 GRADE 60 STEEL. WELDED WIRE FABRIC REINFORCING TO BE ASTM A185 STEEL WIRE. ACCESSORIES SHALL CONFORM TO THE CRS1 "MANUAL OF STANDARD PRACTICE." THE FOLLOWING MINIMUM CONCRETE COVER SHALL BE PROVIDED OVER REINFORCING BARS:
 

A) EXPOSED TO EARTH	3"
B) EXPOSED TO WEATHER	1 1/2"
C) SLABS NOT EXPOSED TO WEATHER	3/4"
D) BEAMS AND COLUMNS	1 1/2"

## MASONRY GENERAL NOTES:

- MASONRY WALLS ARE TO BE OF THE SIZES AND IN THE LOCATIONS SHOWN ON THE PLANS AND SHALL BE CONSTRUCTED IN ACCORDANCE WITH THE PROVISIONS OF ACI 530.
- HOLLOW LOAD BEARING UNITS: ASTM C90 MADE WITH LIGHTWEIGHT OR NORMAL WEIGHT AGGREGATES. GRADE N-I UNITS SHALL BE PROVIDED FOR EXTERIOR AND FOUNDATION WALLS. GRADE N-OR S-I UNITS SHALL BE PROVIDED FOR OTHER LOAD-BEARING WALLS OR PARTITIONS.
- CONCRETE BUILDING BRICK: ASTM C55 MADE WITH LIGHTWEIGHT OR NORMAL AGGREGATES, GRADE N-I OR S-I EXCEPT THAT BRICK EXPOSED TO WEATHER SHALL BE N-I.
- MORTAR: ASTM C270-95, TYPE S PREPACKAGED MORTAR MIX WHICH SHALL NOT CONTAIN ANY NON-CEMENTITIOUS FILLERS COMBINED WITH NOT MORE THAN THREE PARTS SAND PER ON PART MIX.
- REINFORCING STEEL: ASTM A615 GRADE 60 STEEL DEFORMED BARS WHERE INDICATED ON THE PLANS. WHERE REINFORCING BARS ARE INSTALLED IN THE CELLS OF CONCRETE MASONRY UNITS, THEY SHALL BE SECURED WITH WIRE TIES AT INTERVALS NOT EXCEEDING 24" O/C TO MAINTAIN THE BARS LOCATION IN THE CELL. THE TOLERANCE FOR SPACING OF VERTICAL BARS IS ± 2 INCHES ALONG THE LENGTH OF THE WALL. THE TOLERANCE FOR THE DISTANCE BETWEEN THE FACE OF THE CONCRETE MASONRY UNIT AND THE CENTER OF THE BAR SHALL NOT EXCEED ± 1/2".
- MORTAR PROTRUSION SHALL BE LESS THAN 1/2". A PROTRUSION OF 1/2" OR GREATER MUST BE REMOVED BEFORE GROUTING.
- HORIZONTAL JOINT REINFORCEMENT: ASTM A82 FABRICATED FROM COLD DRAWN STEEL WIRE AND HOT DIP ZINC COATED (ASTM A 153). IT SHALL CONSIST OF TWO OR MORE PARALLEL, LONGITUDINAL WIRES 0.1875" IN DIAMETER WITH WELD-CONNECTED CROSS WIRES 0.1483" IN DIAMETER AT A MINIMUM OF 16" O/C. JOINT REINFORCEMENT IS TO BE INSTALLED IN EVERY OTHER COURSE AND IN THE FIRST TWO COURSES AT THE BOTTOM AND TOP OF WALL OPENINGS AND SHALL EXTEND NOT LESS THAN 24" PAST THE OPENING. SPLICES SHALL OVERLAP NOT LESS THAN 12".
- EXECUTION: MASONRY UNITS SHALL BE LAID IN A RUNNING BAND PATTERN UNLESS NOTED OTHERWISE. THE WALLS SHALL BE CARRIED UP LEVEL AND PLUMB WITHIN THE TOLERANCES SPECIFIED IN ACI 530.1-88, SECTION 2.3.3.2. IF NONSTANDARD DIMENSIONS ARE ENCOUNTERED, BLOCK SHALL BE CUT WITH A MASONRY SAW TO FIT, NOT BY STRETCHING OR SHRINKING JOINTS. UNFINISHED WORK SHALL BE STEPPED BACK FOR JOINING WITH NEW WORK. TOOTHING WILL NOT BE PERMITTED EXCEPT WHERE SPECIFICALLY APPROVED. DAMAGED UNITS ARE TO BE CUT OUT AND NEW UNITS SET IN PLACE.
- THE FILLED CELLS AND BOND BEAM BLOCKS OF REINFORCED MASONRY WALLS ARE TO BE FILLED WITH ASTM C476-91, GROUT FOR MASONRY WITH MINIMUM COMPRESSIVE STRESS OF 2,000 PSI AND SLUMP RANGE OR 8" TO 11". THE OUTSIDE FACE OF THE BOTTOM BLOCK OF EACH CELL IS TO BE BROKEN OUT FOR INSPECTION OF REINFORCING AND CLEAN OUT OF MORTAR DROPPINGS IN CELL. THE GROUT IS TO BE PUMPED INTO THE CELL IN MAXIMUM FIVE FOOT LIFTS AND IMMEDIATELY VIBRATED TO MINIMIZE ANY VOIDING OF THE GROUT. RECONSOLIDATE EACH LIFT BY VIBRATING SEVERAL INCHES INTO THE PRECEDING LIFT BEFORE PLASTICITY IS LOST. RECONSOLIDATE THE TOP LIFT AND FILL WITH GROUT ANY SPACE LEFT BY SETTLEMENT SHRINKAGE.
- WHERE PARTITIONS FALL BETWEEN FLOOR JOISTS OR TRUSSES, 2 X 4 LADDERS AT 16" O/C MUST BE PLACED PERPENDICULAR TO THE TRUSSES TO SUPPORT THE PLYWOOD DECKING. THE LADDERS SHALL BE SUPPORTED WITH SIMPSON Z" CLIP OR SIMILAR DEVICE.

- ALL WOOD I-JOISTS AND OPEN JOISTS MUST BE BRACED IN ACCORDANCE WITH THE MANUFACTURER'S DIRECTIONS PLUS DETAILS SHOWN ON PLANS. LOAD-BEARING PARTITIONS, JACKS, BEAMS AND COLUMN SUPPORTS MUST BE SOLID BLOCKED THROUGH FLOOR, TRUSSES AND PLYWOOD SHALL NOT CARRY CONCENTRATED POINT LOADS. I-JOIST MATERIAL SHOULD NOT BE USED AS BLOCKING UNDER CONCENTRATED POINT LOADS. ALL POINT LOADS MUST BE CARRIED TO FOUNDATIONS WITH ADEQUATE BLOCKING AND/OR BEAMS.
- ALL STEEL COLUMNS WHERE STEEL COLUMNS BEAR ON CONCRETE OR MASONRY, UNLESS OTHERWISE NOTED, A 5/8" X 6 1/2" X 6 1/2" OR 5/8" X 3 1/2" X 8" BASE PLATE SHALL BE USED TO SPREAD THE COLUMN LOAD ACROSS THE BEARING SURFACE. BASE PLATES SHALL BE BOLTED WITH AT LEAST TWO 1/2" DIAMETER ANCHOR BOLTS OR EXPANSION BOLTS TO CONCRETE OR MASONRY.
- UNLESS NOTED OTHERWISE ON PLANS, ALL EXTERIOR FACING WALL STUDS TALLER THAN 10' SHALL BE CONSTRUCTED AS FOLLOWS:
  - WALLS 10 TO 12' HIGH: BALLOON FRAME 2 X 4 STUDS AT 12" O/C WITH 1/2" OSB SHEATHING AND 3 KING STUDS ON EACH SIDE OF EACH OPENING NAILED SECURELY TO THE HEADER.
  - WALLS 12 TO 20' HIGH: BALLOON FRAME 2 X 6 STUDS AT 16" O/C 1/2" OSB SHEATHING REQUIRED FOR WALL HEIGHTS > 17'. PROVIDE 2-1 3/2" X 5 1/4" LVL KING STUDS ON EACH SIDE OF OPENINGS 3 TO 6' WIDE AND 2-2 X 6 KING STUDS FOR OPENINGS LESS THAN 3' WIDE. FASTEN KING STUDS SECURELY TO ALL HEADERS WITH A MINIMUM OF 1-2 1 6D NAILS OR 4-3/8" DIAMETER LAG SCREWS EMBEDDED A MINIMUM OF 4" INTO THE HEADER.
  - GABLE END WALLS OR ROOMS WITH VAULTED CEILING JOISTS: BALLOON FRAME WALL AND PROVIDE TRIPLE KING STUD ON EACH SIDE OF OPENINGS, NAILED SECURELY TO THE HEADER.
  - TWO-STORY HIGH FOYER WALLS LESS THAN 9' WIDE: EXTEND 3 1/2" X 9 1/4" PSL MEMBER WITH 3-2 X 4 FLAT PLATES ACROSS THE ENTIRE WALL. LOCATE THE BEAM NEAR MID-HEIGHT OF THE WALL AT OR NEAR FIRST FLOOR TOP PLATE.

- NOTE-SEE SPECIAL DESIGN OR ENGINEER FOR WALLS TALLER THAN 20', WHEN OPENINGS IN HIGH WALLS EXCEED 6' IN WIDTH, OR IF THE WALL CANNOT BE CONSTRUCTED USING ANY OF THE METHODS MENTIONED.
- CONTINUOUS 2 X 6 BRIDGING SHALL BE NAILED TO DIAGONAL OR VERTICAL WEB MEMBERS OF ALL OPEN-WEB FLOOR TRUSSES OVER 10' LONG. THEY SHALL BE INSTALLED NEAR MID-SPAN AS A LOAD DISTRIBUTION MEMBER. IF THE 2 X 6 BRIDGING IS NOT CONTINUOUS, LAB ENDS OF BRIDGING ONE TRUSS SPACE.
  - LOWER STUD WALLS FOR BUILDINGS OVER TWO STORIES, BUT NOT MORE THAN THREE STORIES:
    - INTERIOR WALLS
      - LOAD BEARING: 2 X 4 @ 12" O/C
      - NON LOAD BEARING: 2 X 4 @ 12" O/C
    - EXTERIOR WALLS
      - USE 2 X 6 AT 16" O/C WITH 1/2" X 4' X 8' PLYWOOD SHEATHING AT ALL CORNERS AND EVERY 25'; OR USE 2 X 4 AT 12" O/C WITH 1/2" PLYWOOD SHEATHING SOLID ON WALLS.
  - HEADERS SHALL BE AS SHOWN UNLESS NOTED DIFFERENTLY ON PLANS:
    - INTERIOR AND EXTERIOR
      - SPANS UP TO 2'-6" : 2-2 X 6S
      - SPANS 2'-6" TO 3'-6" : 2-2 X 8S
      - SPANS 3'-6" TO 6'-6" : 2-2 X 10S
      - SPANS 6'-6" OR MORE : SEE PLAN
    - HEADERS WIDER THAN 5' SHALL HAVE A MINIMUM OF THREE KING STUDS ON EACH SIDE UNLESS NOTED OTHERWISE.
  - WHEN CEILING JOISTS ARE PARALLEL TO AN EXTERIOR WALL, TIE THE RAFTERS NEAR THE TOP PLATE TO CEILING JOISTS WITH A 2 X 6 STRONGBACK. A MINIMUM OF 6' LONG AT 4 FEET ON CENTER ACROSS THE TOP OF THE CEILING JOISTS. 2 X 4 RAFTER TIES SHALL BE FASTENED TO THE SIDE OF THE RAFTER AND THE STRONGBACK.
  - AT ALL EXTERIOR DIAGONAL WALL PANELS, EACH PANEL SHALL BE NAILED TO EACH ADJACENT PANEL WITH 5-1 6D NAILS OR TIED TOGETHER WITH METAL STRIPPING NAILED AT FOUR LOCATIONS BETWEEN FLOORS WITH A MINIMUM OF 2-1 6D NAILS INTO EACH PANEL AT EACH STRAP. THIS WILL AVOID VERTICAL CRACKING IN PANEL JOINTS DUE TO HORIZONTAL OSCILLATING PANELS.
  - AT ALL STAIRS, EVERY STUD AT EACH STRINGER MUST BE NAILED TO EACH STRINGER WITH A MINIMUM OF 2-1 6D NAILS. THIS WILL AVOID CRACKING BETWEEN WALLBOARD AND TOP OF BASE MOLDING DUE TO VERTICAL OSCILLATION OF STAIR STRINGERS.
  - ROOF TRUSSES THAT HAVE NON-BEARING PARTITIONS PASSING UNDER THEM SHOULD BE NAILED TO THE PARTITION PLATES TO AVOID CEILING-WALL CRACKING.
  - ROOF TRUSSES CLOSE TO SIDE WALLS FRAMING AND USED AS DEAD WOOD FOR SHEETROCK BOARDS SHOULD BE NAILED TO THE WALL FRAMING TO PREVENT CEILING-WALL CRACKING.
  - ALL STRUCTURAL FRAMING LUMBER EXPOSED DIRECTLY TO THE WEATHER OR BEARING DIRECTLY ON EXTERIOR MASONRY PIERS OR CONCRETE SHALL BE TREATED. ALL WOOD IN CONTACT WITH THE GROUND IS TO BE GROUND-CONTACT APPROVED. ALL WOOD EXPOSED DIRECTLY TO THE WEATHER SHALL BE PROTECTED TO PREVENT THE OCCURRENCE OF ROT.
  - UNLESS OTHERWISE DETAILED, ALL STICK-BUILT "FALSE CHIMNEYS" SHALL BE CONSTRUCTED WITH 2 X 4 STUDS AT 12" O/C, BALLOON-FRAMED FROM ATTIC CEILING OR FLOOR. FASTEN 1 5/32" CDX PLYWOOD ON ALL SIDES OF THE CHIMNEY ALONG THE FULL LENGTH OF THE STUDS. FASTEN EACH STUD TO THE SUPPORTING BEAM OR CEILING JOIST WITH A 1 1/2" X 24", 18-GAUGE METAL STRAP, OR A SIMILAR CONNECTOR.
  - ITEM UNCHANGED, BUT MOVED FROM UNDER #14 ON OLD PAGE 2:  
NOTE-ALL POINT LOADS FROM ROOF BRACES, JACK STUDS, BEAM SUPPORTS - WHETHER WOOD OR STEEL - CANNOT BEAR ON SHEATHING ALONE. BLOCKING EQUAL TO OR BETTER THAN THE POINT LOAD SUPPORTS ABOVE MUST BE CARRIED THROUGH ALL CONSTRUCTION TO THE FOUNDATION.

## NOTE TO APPLY TO ALL HARD COAT STUCCO EXTERIOR FINISHES:

- JOINTS ARE NECESSARY AT THE FOLLOWING LOCATIONS:
  - HORIZONTALLY AT EACH FLOOR LINE.
  - NO AREAS LARGER THAN 144 S.F. SURFACE EXPOSED.
  - NO DIMENSION LONGER THAN 18'.
  - NO DIMENSION LONGER THAN 2 1/2 TIMES THE SHORTEST DIMENSION.
- DRIP SCHEDULE REQUIRED AT THE BOTTOM OF ALL WALLS 2" ABOVE PAVED AREAS AND 4" ABOVE GRADE.
- SEE ASTM 926 AND 1063 FOR FURTHER INFORMATION.
- APPLICATION OF AN APPROVED CHEMICAL CURING COMPOUND.  
THE CURING SHALL CONTINUE UNTIL THE CUMULATIVE NUMBER OR DAYS WHEN THE AMBIENT TEMPERATURE ABOVE 50°F HAS TOTALED SEVEN. DURING CURING, THE CONCRETE SHALL BE PROTECTED FROM ANY MECHANICAL INJURY, LOAD STRESSES, SHOCK, VIBRATION, OR DAMAGE TO FINISHED SURFACES.

## WALL BRACING NOTES:

- THIS STRUCTURE HAS BEEN ANALYZED BY A PROFESSIONAL ENGINEER FOR LATERAL LOADING. IT HAS BEEN DESIGNED USING CONTINUOUSLY SHEATHED 7/16" OSB SHEATHING, FASTENED AT 6" O.C. ALONG THE EDGES AND 12" O.C. ALONG THE INTERIOR TO MEET OR EXCEED THE INTENT OF THE 2015 INTERNATIONAL RESIDENTIAL BUILDING CODE. WHERE WALL LINES REQUIRE FURTHER REINFORCEMENT, ADDITIONAL BRACING METHODS, ENGINEERED WALL SECTIONS AND HOLD DOWNS HAVE BEEN INCLUDED TO RESIST THE LATERAL LOADS AND ARE NOTED ON THE PLAN SET.

## ROOF CONSTRUCTION:

- ALL ROOF TRUSSES MUST BE BUILT IN ACCORDANCE WITH TRUSS MANUFACTURER'S REQUIREMENTS. TIE-DOWN CONNECTIONS TO RESIST UPLIFT SHALL BE INSTALLED WHERE REQUIRED. WHEN ROOF TRUSS MANUFACTURERS DO NOT PROVIDE THE REQUIRED CONNECTORS, IT IS THE RESPONSIBILITY OF THE CONTRACTOR TO NOTIFY THE ROOF TRUSS ENGINEER OR THE ENGINEER OF RECORD TO PROVIDE AN ADEQUATE CONNECTOR.
- IN ADDITION TO THE CODE'S FASTENER SCHEDULE, UNLESS NOTED OTHERWISE ON THE PLAN, ROOF MEMBERS SHALL BE TIED DOWN WITH ADDITIONAL METAL CONNECTORS AS FOLLOWS:
  - STICK-FRAMED RAFTER MEMBERS EXCEEDING 10' IN LENGTH, AS MEASURED FROM THEIR HORIZONTAL PROJECTION, AND ALL ROOFS OVER UNENCLOSED AREAS SUCH AS PORCHES USE SIMPSON H2.5 CONNECTORS EVERY 4' OR AT EVERY THIRD RAFTER TO FASTEN THE LOWER END OF THE RAFTER TO THE TOP PLATE.
  - ALL LOWER ENDS OF VALLEY AND HIP MEMBERS WHICH BEAR ON A TOP PLATE USE A SIMPSON HCP OR EQUIVALENT CONNECTOR.
  - RAFTERS SHALL BE 2 X 6 AT 16" O/C SPRUCE-PINE-FUR #2 FOR SHINGLES EXCEPT AS NOTED. THEY ARE TO BE CUT INTO HIP RIDGES, ETC., UNLESS NOTED OTHERWISE. TILE, SLATE AND OTHER HEAVY ROOF COVERINGS SHALL USE 2 X 8 AT 16" O/C SPRUCE-PINE-FUR #2 RAFTERS UNLESS NOTED OTHERWISE.
  - COLLAR TIES SHALL BE 2 X 6 AT 48" O/C AT ALL RIDGES UNLESS NOTED OTHERWISE AND LOCATED A NOMINAL 3' BELOW THE RIDGE. VAULTED CEILINGS REQUIRE SPECIAL COLLAR TIE OR RIDGE BEAM DETAILS. SEE THE END OF TABLE R802.5.1. IN THE CODE UNLESS OTHERWISE DETAILED ON THE PLAN.
  - A MINIMUM OF THREE COLLAR TIES SHALL BE USED AT ALL RIDGES EVEN IF TWO TIES MUST BE PUT ON ONE SET OF RAFTERS.
  - ALL HIPs AND RIDGES ARE A SIZE LARGER THAN RAFTERS UNLESS NOTED OTHERWISE.
  - ALL HOGS ON CEILING JOISTS OR RAFTERS ARE 12" LONG AND 2 X 6'S UNLESS NOTED OTHERWISE. RAFTERS MAY BE SPLICED OVER HOGS. SPLICE RAFTER HOGS ONLY AT A ROOF BRACE.
- GABLE END MUST BE BRACED PARALLEL TO RIDGES AS REQUIRED PER TRUSS MANUFACTURER. GABLE END TRUSS BEARING SHALL FOLLOW THE TRUSS MANUFACTURE TYPICAL DETAILS AND BE LOCATED APPROXIMATELY MID-HEIGHT OF GABLE WALLS. BRACES SHALL BE AT AN ANGLE OF APPROXIMATELY 45°. OTHER BRACING MAY BE USED WITH THE DESIGN ENGINEER'S APPROVAL. FIELD FRAMED GABLE END WALLS SHALL BE CONTINUOUS STUDS FROM THE CEILING LEVEL TO THE ROOF AND SHALL FOLLOW THE EXTERIOR WALL STUD SCHEDULE.
- CEILING JOISTS WHEN ERECTED PARALLEL TO RAFTERS MUST BE SISTERED TO RAFTERS AND NAILED WITH 3-1 6D NAILS AT EACH RAFTER. IF A KNEEWALL IS USED AND CEILING JOISTS CANNOT TOUCH RAFTERS, THEN RAFTERS MUST BE TIED TO THE CEILING JOISTS USING 2 X 4 OR 1 X 6 RAFTER TIES SPACED NO MORE THAN 4" ON CENTER.
- ALL ROOF BRACES ARE 2-2 X 4 NAILED WITH 1 6 PENNY NAILS AT 9" O/C VERTICALLY FROM TOP TO BOTTOM. BRACES LONGER THAN 10' MUST BE BRACED HORIZONTALLY IN TWO DIRECTIONS AT MID-HEIGHT.
- MAXIMUM SPACING OF ROOF BRACES IS TO BE AS FOLLOWS:
 

i) FOR 2 X 6 HOG	6'-0" O/C
ii) FOR 2 X 8 HOG	7'-6" O/C

## LUMBER GENERAL NOTES:

- ALL COMMON FRAMING LUMBER IS TO MEET THE FOLLOWING MINIMUM SPECIFICATIONS AT 19% MOISTURE CONTENT:
 

MATERIAL	FB (PSI)	FT (PSI)	FC (PSI)(PERP.)	E (PSI)
# 2 SPRUCE PINE FUR	875	450	425	1,400,000
SOUTHERN YELLOW PINE	1,150	600	480	1,600,000
- ALL STRUCTURAL COMPOSITE LUMBER (LVL, PSL, LSL) IS TO MEET THE FOLLOWING MINIMUM SPECIFICATIONS:
 

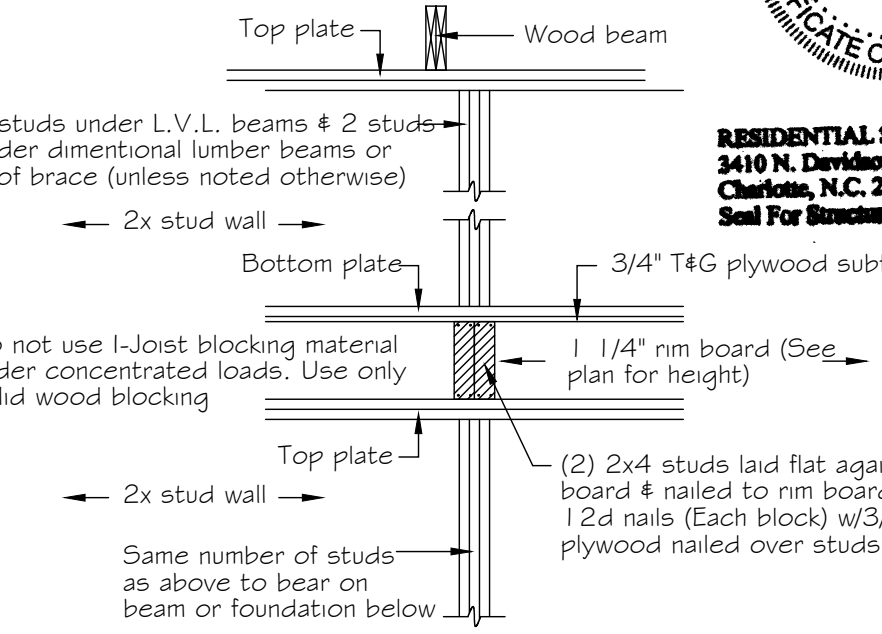
APPLICATION	FB (PSI)	FC (PSI)(PARALLEL)	FC (PSI)(PERP.)	E (PSI)
GIRDERS # BEAMS (LVL,PSL)	2,600	2,310	650	1,900,000
COLUMNS (LSL) # RIMBOARDS	1,700	1,400	400	1,300,000
- ALL GLUE LAMINATED TIMBER (GLU-LAM) IS TO MEET THE FOLLOWING MINIMUM SPECIFICATIONS:
 

APPLICATION	FB (PSI)	FC (PSI)(PARALLEL)	FC (PSI)(PERP.)	E (PSI)
GIRDERS # BEAMS	2,400	1,700	740	1,700,000
COLUMNS	1,600	1,550	560	1,500,000
- OPEN WEB FLOOR TRUSSES:
 

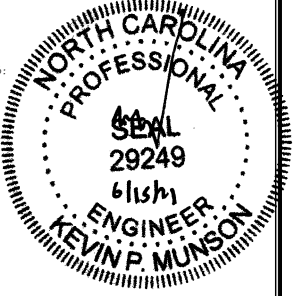
APPLICATION	FB
TOP # BOTTOM CHORDS	2,500
COLUMNS (LSL) # RIMBOARDS	950

 1.9E MSR LUMBER  
1.4E LUMBER
- WHERE THREE OR FOUR-PLY "LAM" BEAMS ARE SIDE-LOADED (JOISTS FRAME INTO THE SIDE AT THE OUTSIDE PLIES), FASTEN ANGLE TOGETHER WITH TWO ROWS OF 1/2" DIAMETER BOLTS AT 16" O/C. THE BOLTS SHALL BE LOCATED A MINIMUM OF 2 1/2" FROM THE TOP OR BOTTOM OF THE BEAM.
- BUILT-UP WOOD COLUMNS CONSISTING OF MULTIPLE STUDS SHALL HAVE EACH LAMINATION NAILED WITH 1 6D NAILS AT 16" O/C.

PLANS PERMITTED IN NORTH CAROLINA ARE DESIGNED TO MEET THE 2015 NORTH CAROLINA RESIDENTIAL BUILDING CODE, AS ISSUED BY THE STATE OF NORTH CAROLINA



Number of studs / blocking transfer load detail at engineered floor system



**TrueHomes**  
IT'S ALL ABOUT YOU  
2649 Breckonridge Centre Dr.  
Suite 104  
Monroe, N.C. 28110  
704-271-1191

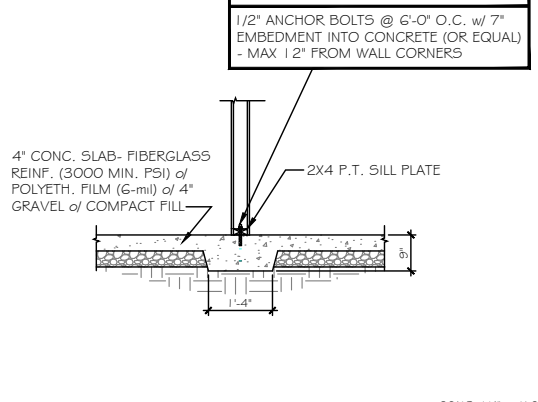
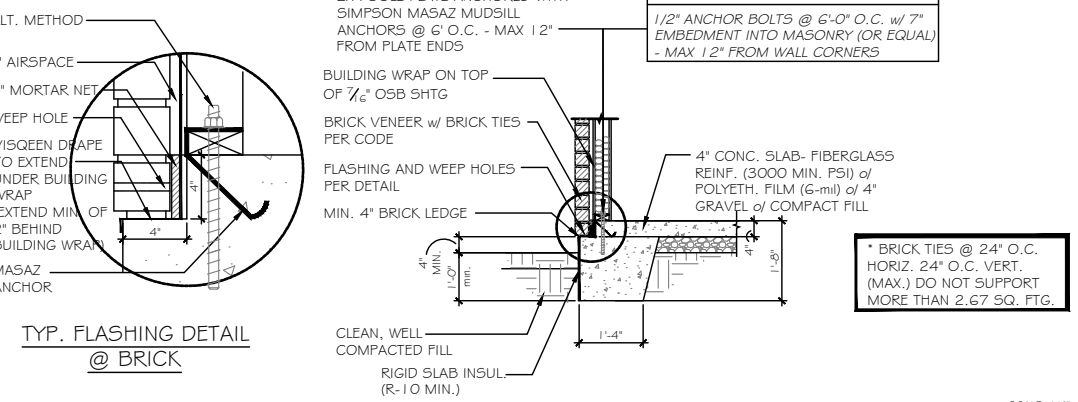
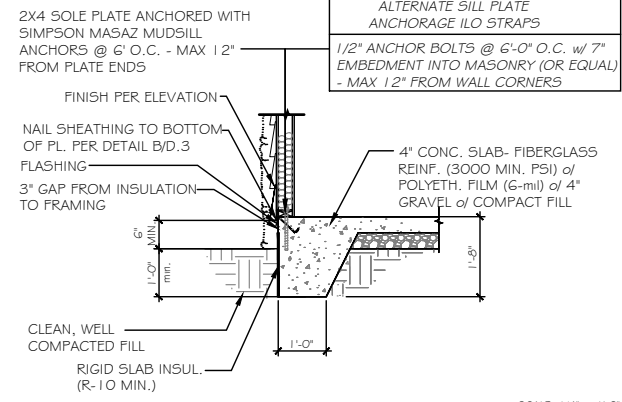
**WALKERS GROVE**  
**LOT# 1**

**HUNTEY**  
2630  
**HARNETT**

Copyright True Homes L.L.C. All rights reserved. The duplication, reproduction, copying, sale, rental, leasing, or any other distribution or use of these drawings, any portion thereof, or the plans depicted herein is strictly prohibited.

PREPARED BY:  
**WALTER**  
DATE:  
3-24-21  
SCALE:  
NOT TO SCALE  
REVIEWED BY:  
**CHUCK**

SHEET:  
**GN**



REF. NO.	USP
ABA44Z	PA44E-TZ
BC52-2/4	BC4010-TZ
C5-1G	R5150
DTT2Z-5D52.5	DTB-TZ
H2.5A	RT7
H2.5A	RT7A
L5-30	MP3
LSTA24	LSTA24
MASAZ	FA3-TZ
STHD14	STAD14
HHUS410	THD410
A24	TDL5
A21	JA1
LSU26	L5SH15-TZ
EPB44	EPB4408
BC6	C66
BC4	C44
LUS28-2	JUS28-2
LUS26	JUS26
ABA66	PA66E-TZ
C522	R5-22R
HDU4-5D5	PHD4A
EPB66T	EPB6608
HDQ8-5D3Z	PHD8
LSTA36	LSTA36
A34	MP34

COASTAL # CHARLESTON ONLY  
ALTERNATE HOLDDOWN

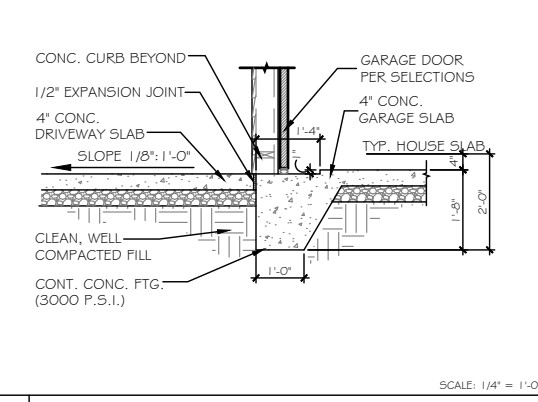
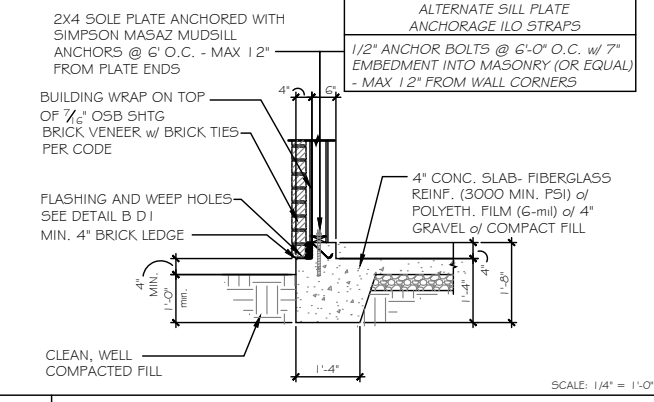
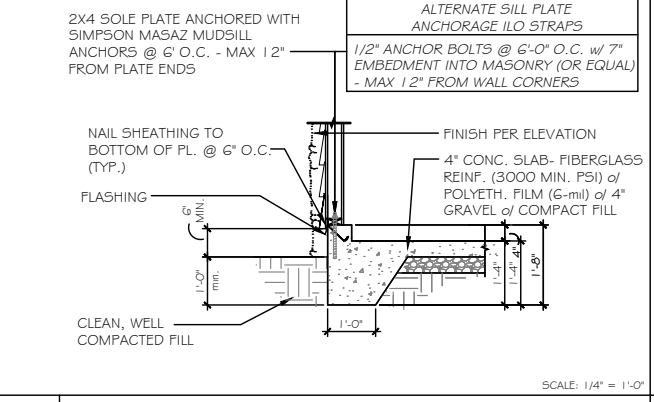
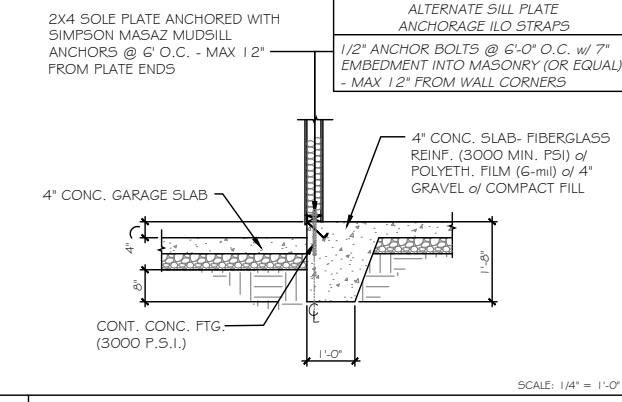
MITEK PFM1461640 ANCHOR SCREWS w/ 3/4"x3"x3" @ 4' O.C.

MITEK HTT45 HOLDDOWN OR EQ.

A TYP. SLAB HOUSE TO GRADE

B TYP. SLAB HOUSE TO GRADE w/ BRICK

D TYP. THICKENED SLAB DETAIL

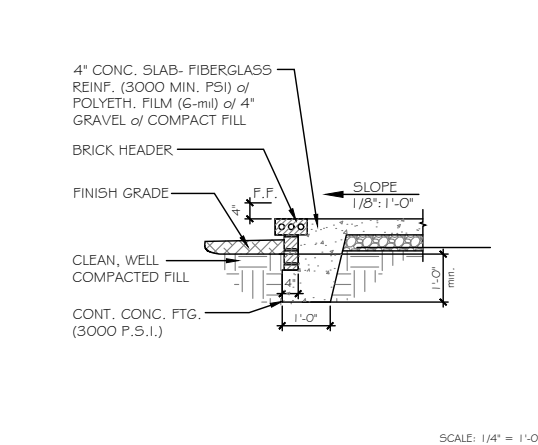
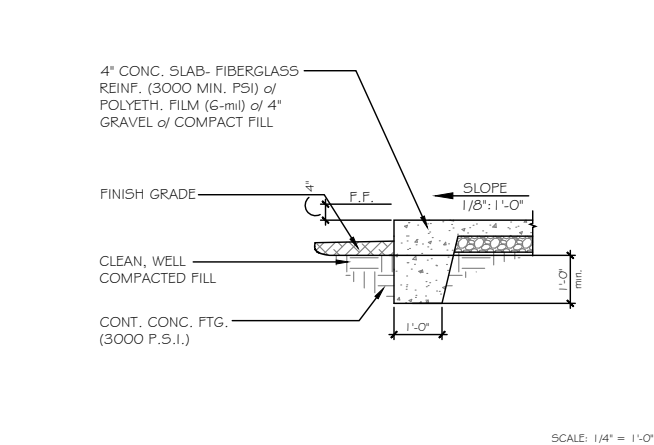
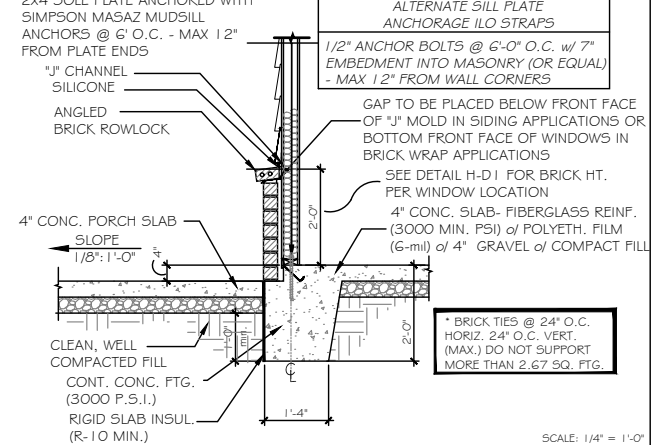
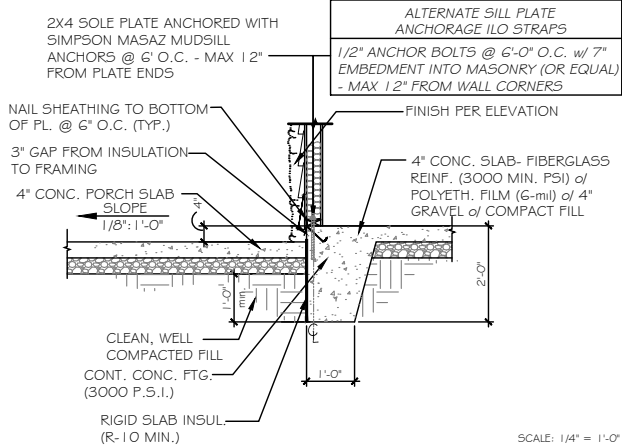


E TYP. SLAB - HOUSE TO GARAGE

F TYP. SLAB - GARAGE TO GRADE

G TYP. SLAB - GARAGE TO GRADE w/ BRICK

I TYP. GARAGE TO DRIVE



L TYP. SLAB - HOUSE TO PORCH

N TYP. SLAB - WAINSCOTING BRICK DETAIL @ PORCH

P TYP. PORCH END DETAIL

Q PORCH END DETAIL w/ BRICK

MONOSLAB  
RALEIGH/TRIAD

NOTES:

CORROSION RESISTANT CORRUGATED METAL TIES - 22 GAUGE, 7/8" WIDE, 6" LONG. PLACE MAX. HORIZONTAL SPACING 24" HORIZ., NOT TO SUPPORT GREATER THAN 2.67 SQ. FT. WALL AREA

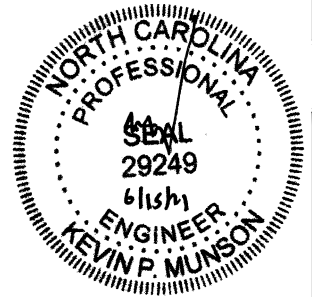
WEEP HOLES TO BE PLACED AT EVERY OTHER HEAD JOINT ON THE BOTTOM COURSE OF BRICK.

VISQUEEN DRAPE TO EXTEND UNDER BUILDING WRAP (EXTEND MIN. OF 2" BEHIND BUILDING WRAP)

PROVIDE WEEP HOLES PER CODES

BRICK TIES @ 24" O.C. HORIZ. 24" O.C. VERT. (MAX.) DO NOT SUPPORT MORE THAN 2.67 SQ. FTG.

BRICK # CMU TO BE INTEGRALLY BONDED PER CODE



RESIDENTIAL STRUCTURES P.C.  
3410 N. Davidson St.  
Charlotte, N.C. 28205  
Seal For Structural Only

PREPARED BY:  
WALTER

DATE:  
3-24-21

SCALE:  
1/4" = 1'-0"

REVIEWED BY:  
CHUCK

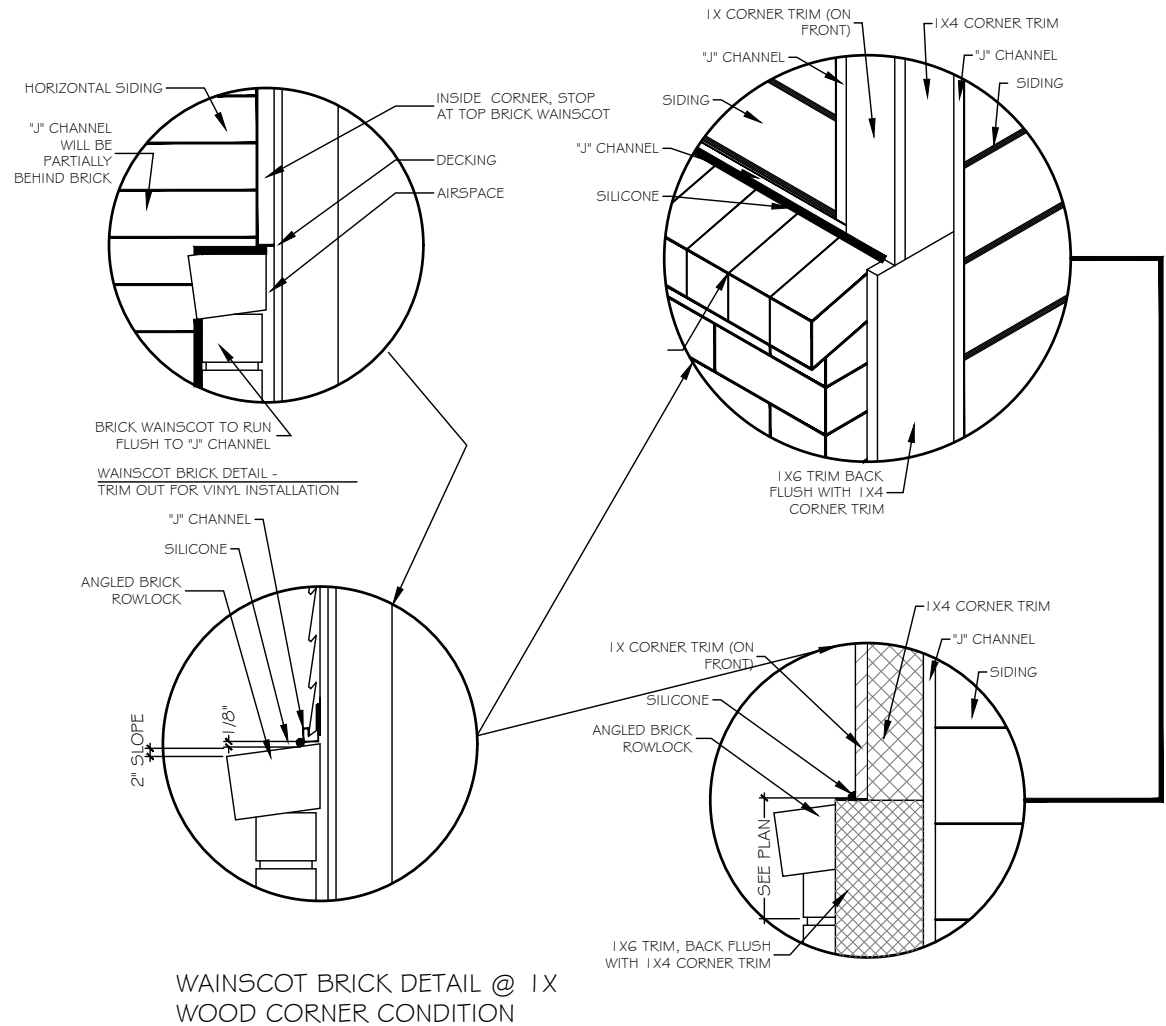
SHEET:  
D1

**TrueHomes**  
IT'S ALL ABOUT YOU  
2649 Breckridge Centre Dr.  
Suite 104  
Monroe, N.C. 28110  
704-271-1191

WALKERS GROVE  
LOT# 1

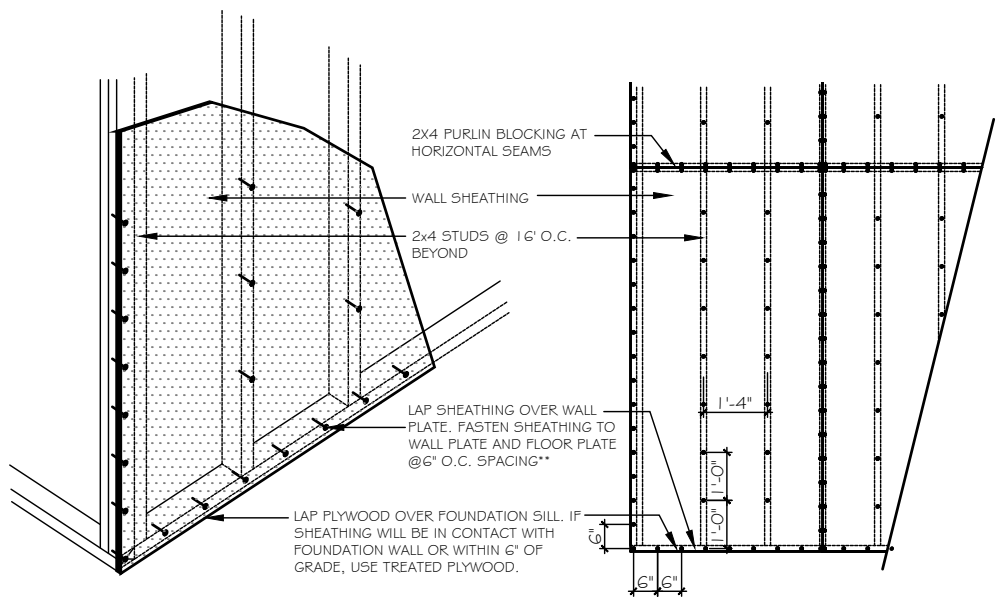
HUNTLEY 2630  
HARNETT



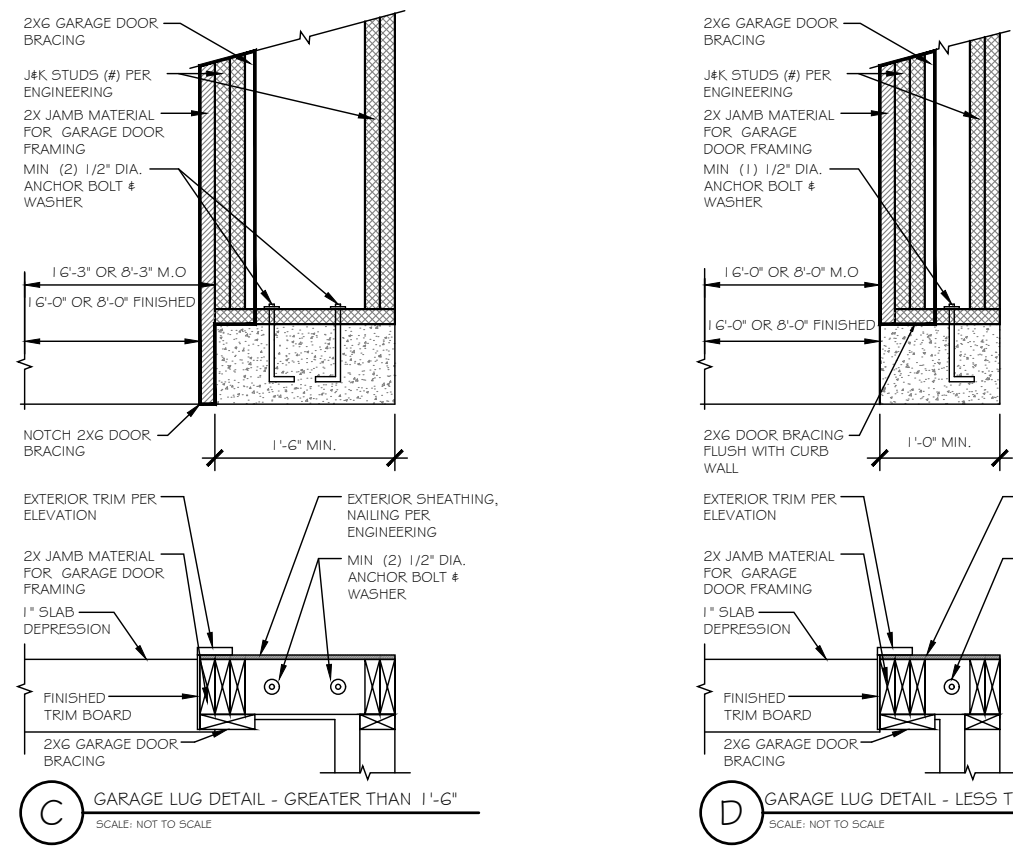


WAINSCOT BRICK DETAIL @ 1X WOOD CORNER CONDITION

A FLASHING @ WAINSCOTING BRICK DETAIL  
SCALE: 1/4" = 1'-0"



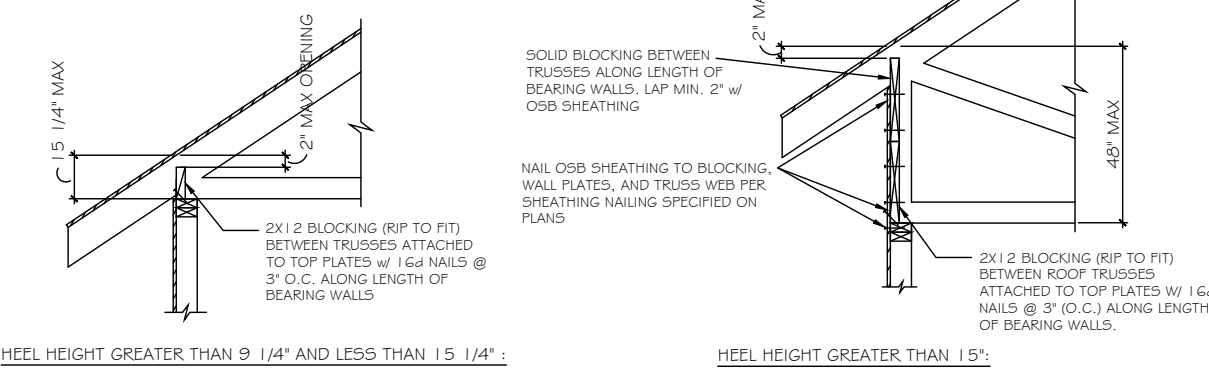
B TYP. NAILING PATTERN  
SCALE: 1/4" = 1'-0"



C GARAGE LUG DETAIL - GREATER THAN 1'-6"  
SCALE: NOT TO SCALE

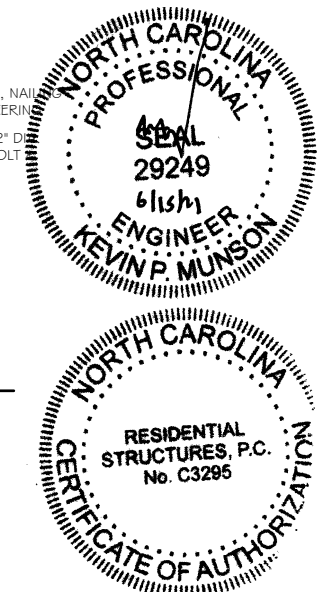
D GARAGE LUG DETAIL - LESS THAN 1'-6"  
SCALE: NOT TO SCALE

E TRUSS BLOCKING REQUIREMENTS  
N.T.S.



HEEL HEIGHT GREATER THAN 9 1/4" AND LESS THAN 15 1/4" :

HEEL HEIGHT GREATER THAN 15' :



**RESIDENTIAL STRUCTURES, P.C.**  
3410 N. Davidson St.  
Charlotte, N.C. 28205  
Seal For Structural Only

**TrueHomes**  
IT'S ALL ABOUT U  
2649 Breckridge Centre Dr.  
Suite 104  
Monroe, N.C. 28110  
704-271-1191

WALKERS GROVE  
LOT# 1

HUNTLEY  
2630

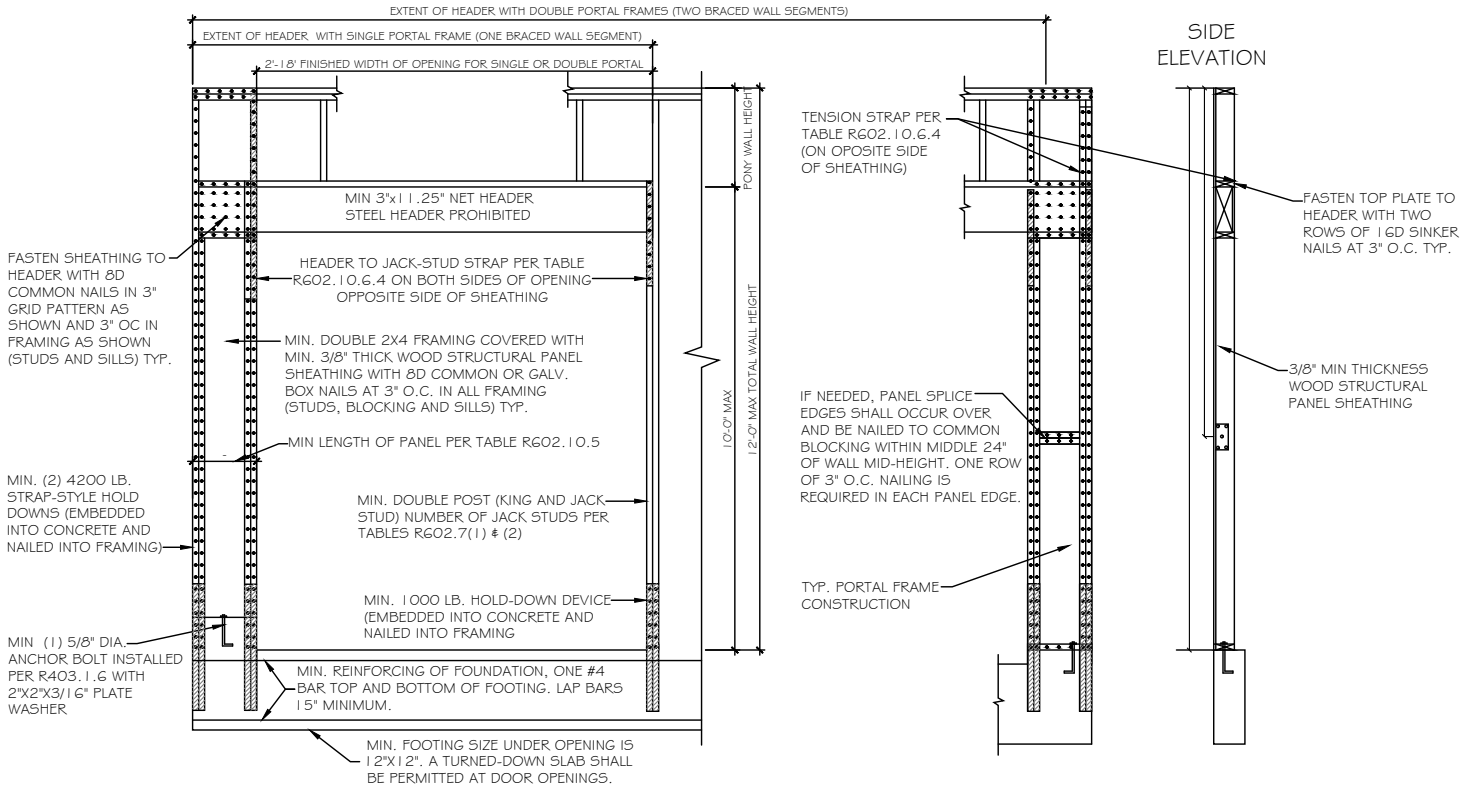
HARNETT

Copyright True Homes L.L.C. All rights reserved. The duplication, reproduction, copying, sale, rental, licensing, or any other distribution or use of these drawings, any portion thereof, or the plans depicted herein is strictly prohibited.  
PREPARED BY:  
**WALTER**  
DATE:  
3-24-21  
SCALE:  
AS SHOWN  
REVIEWED BY:  
**CHUCK**

SHEET:  
**D3**

WALL BRACING HAS BEEN DESIGNED IN ACCORDANCE WITH THE 2018 NCRC AND/OR THE 2018 IRC AS ALLOWED PER SECTION R602.10.

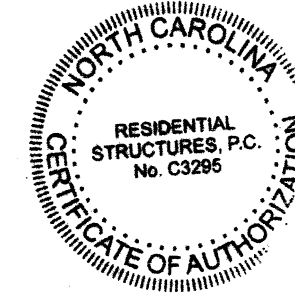
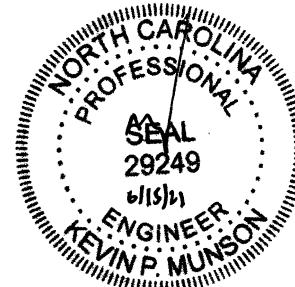
OUTSIDE ELEVATION



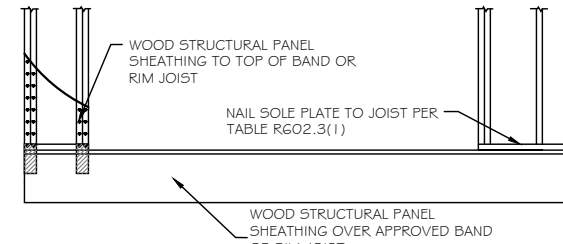
PFH METHOD: PORTAL FRAME WITH HOLD DOWNS GARAGE DOORS AND OPENINGS 6' TO 18'

USP CONVERSION CHART

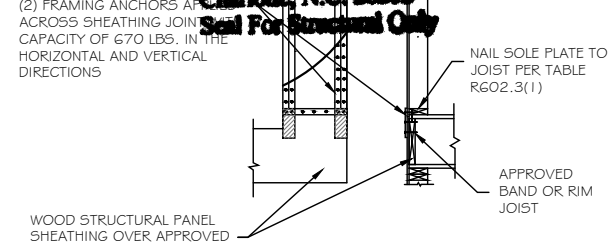
REF NO.	USP
ABA44Z	PA44E-TZ
BCS2-2/4	BC4010-TZ
CS-1G	RS150
DTT2Z-SDS2.5	DTB-TZ
H2.5A	RT7
H2.5A	RT7A
L5-30	MP3
LSTA24	LSTA24
MASAZ	FA3-TZ
STHD14	STAD14
HHUS410	THD410
A24	TDL5
A21	JA1
LSU26	LS5H15-TZ
EPB44	EPB4408
BC6	C66
BC4	C44
LUS28-2	JUS28-2
LUS26	JUS26
ABAGG	PAGGE-TZ
CS22	RS-22R
HDU4-SD5	PHD4A
EPB66T	EPB6608
HDQ8-SD3Z	PHD8
LSTA36	LSTA36
A34	MP34



**RESIDENTIAL STRUCTURES, P.C.**  
3410 N. Davidson St.  
Charlotte, N.C. 28209  
Seal For Structural Only

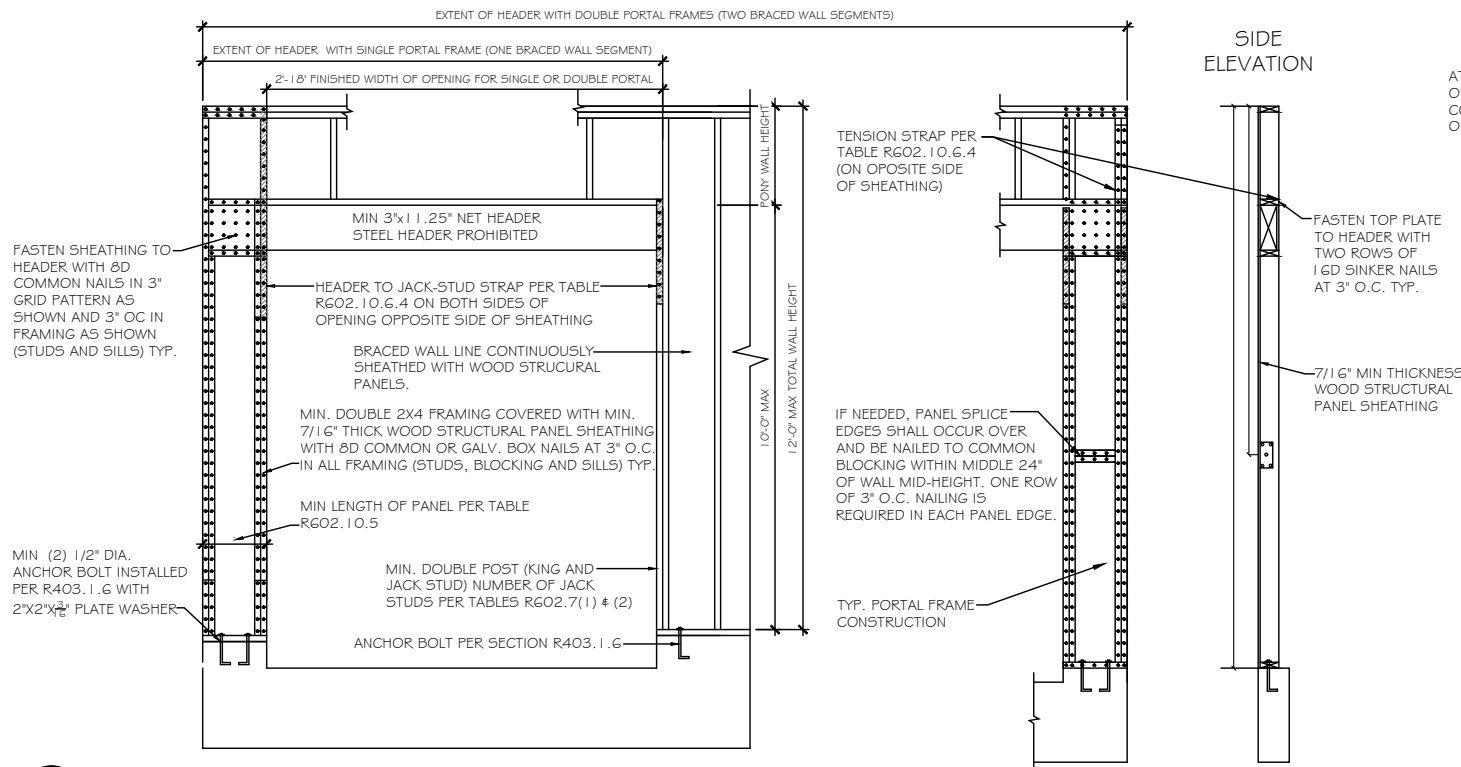


A OVER RAISED WOOD FLOOR - FRAMING ANCHOR OPTION  
SCALE: 3/8" = 1'-0"  
(WHEN PORTAL SHEATHING DOES NOT LAP OVER BAND OR RIM JOIST)

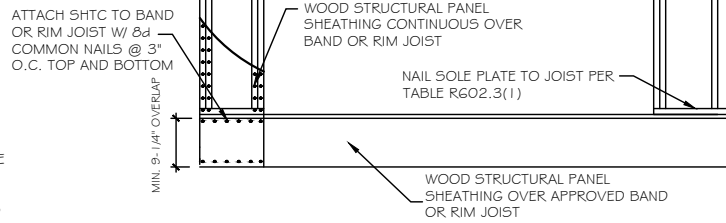


B OVER RAISED WOOD FLOOR - OVERLAP OPTION  
SCALE: 3/8" = 1'-0"  
(WHEN PORTAL SHEATHING LAPS OVER BAND OR RIM JOIST)

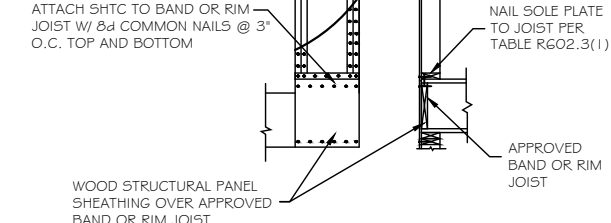
OUTSIDE ELEVATION



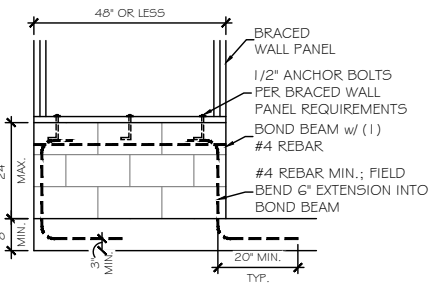
CS-PF METHOD: CONTINUOUSLY SHEATHED PORTAL FRAME-GARAGE DOOR GARAGE DOORS AND OPENINGS 6' AND GREATER



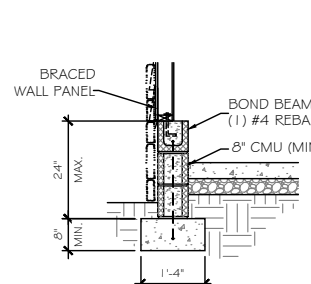
B OVER RAISED WOOD FLOOR - OVERLAP OPTION  
SCALE: 3/8" = 1'-0"  
(WHEN PORTAL SHEATHING LAPS OVER BAND OR RIM JOIST)



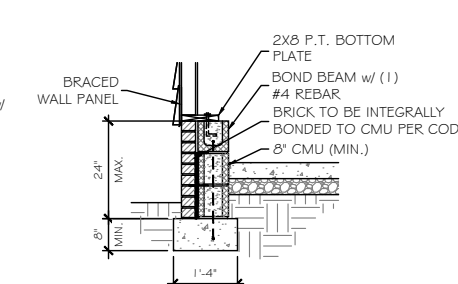
B OVER RAISED WOOD FLOOR - OVERLAP OPTION  
SCALE: 3/8" = 1'-0"  
(WHEN PORTAL SHEATHING LAPS OVER BAND OR RIM JOIST)



C MASONRY STEM WALL SUPPORTING BRACED WALL PANEL DETAILS  
SCALE: 3/8" = 1'-0"



DETAIL @ SIDING / STONE



DETAIL @ BRICK

PER 2018 I.R.C.  
SHORT STEM WALL REINFORCEMENT

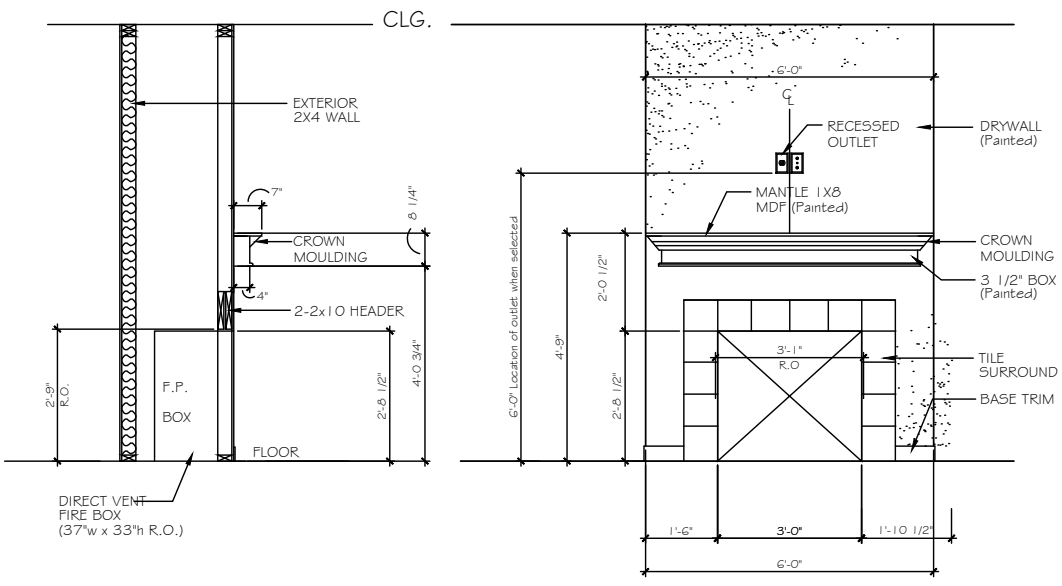
**TrueHomes**  
IT'S ALL ABOUT YOU  
2649 Breckridge Centre Dr.  
Suite 104  
Monroe, N.C. 28110  
704-271-1191

WALKERS GROVE  
LOT# 1

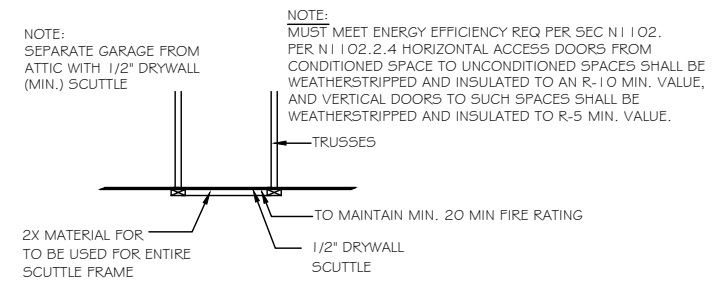
HUNTLEY  
2630  
HARNETT

Copyright True Homes L.L.C. All rights reserved. The duplication, reproduction, copying, sale, rental, licensing, or any other distribution or use of these drawings, any portion thereof, or the plans depicted herein is strictly prohibited.  
PREPARED BY:  
**WALTER**  
DATE:  
3-24-21  
SCALE:  
AS SHOWN  
REVIEWED BY:  
**CHUCK**

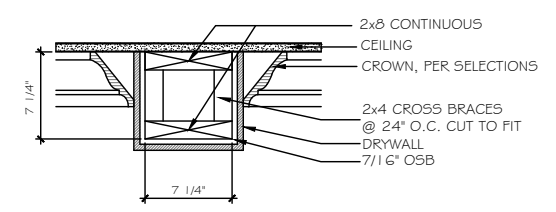
SHEET:  
**D4**



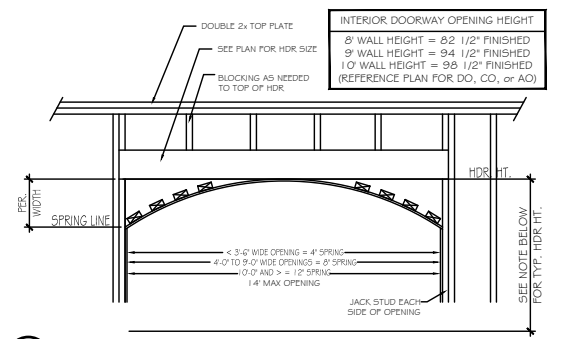
**A** FIREPLACE OPTION 1  
SCALE: 3/8" = 1'-0"



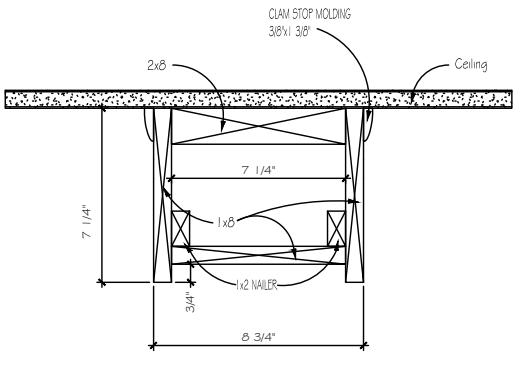
**B** ATTIC ACCESS PANEL DETAIL  
SCALE: N.T.S.



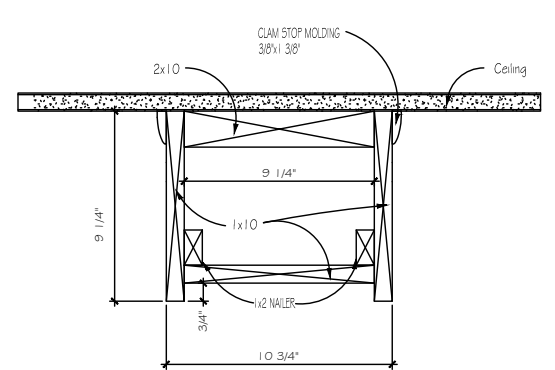
**C** 8" DRYWALL BEAM DETAIL - LIVING/DINING/STUDY  
SCALE: N.T.S.



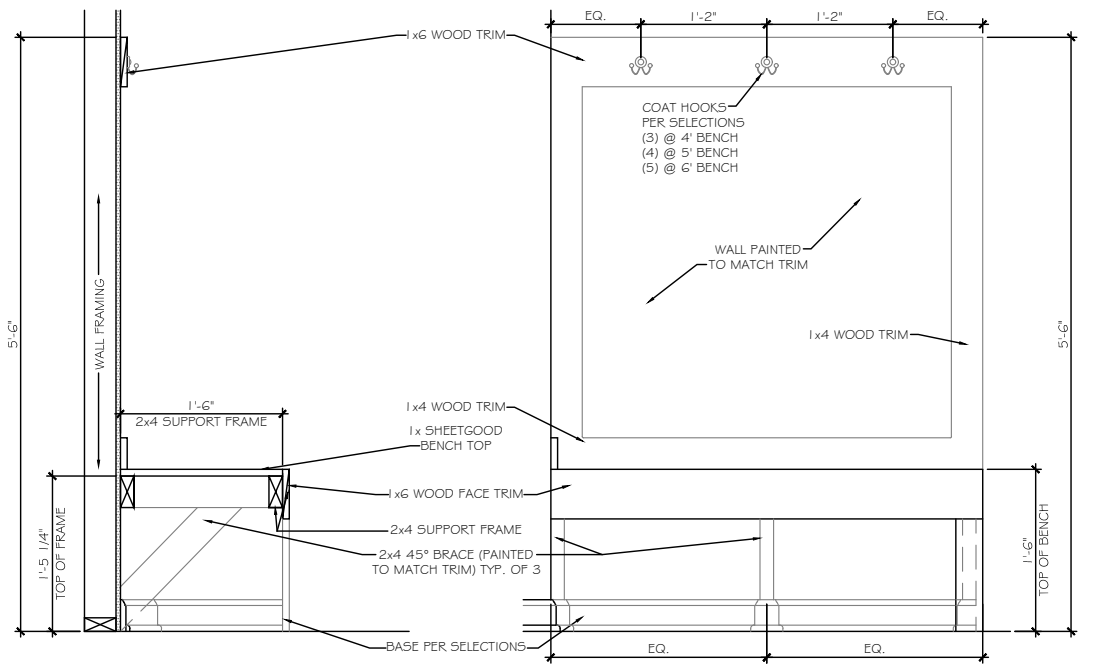
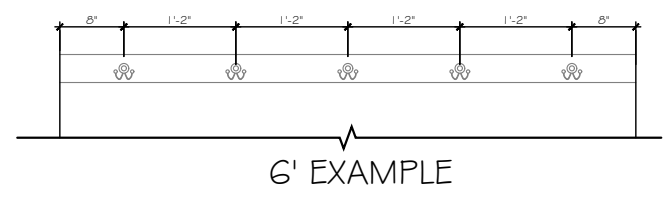
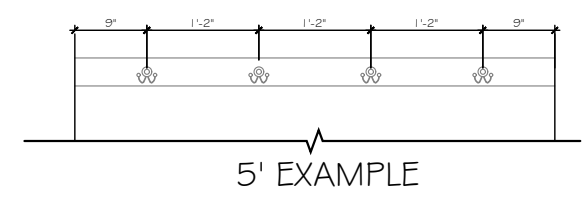
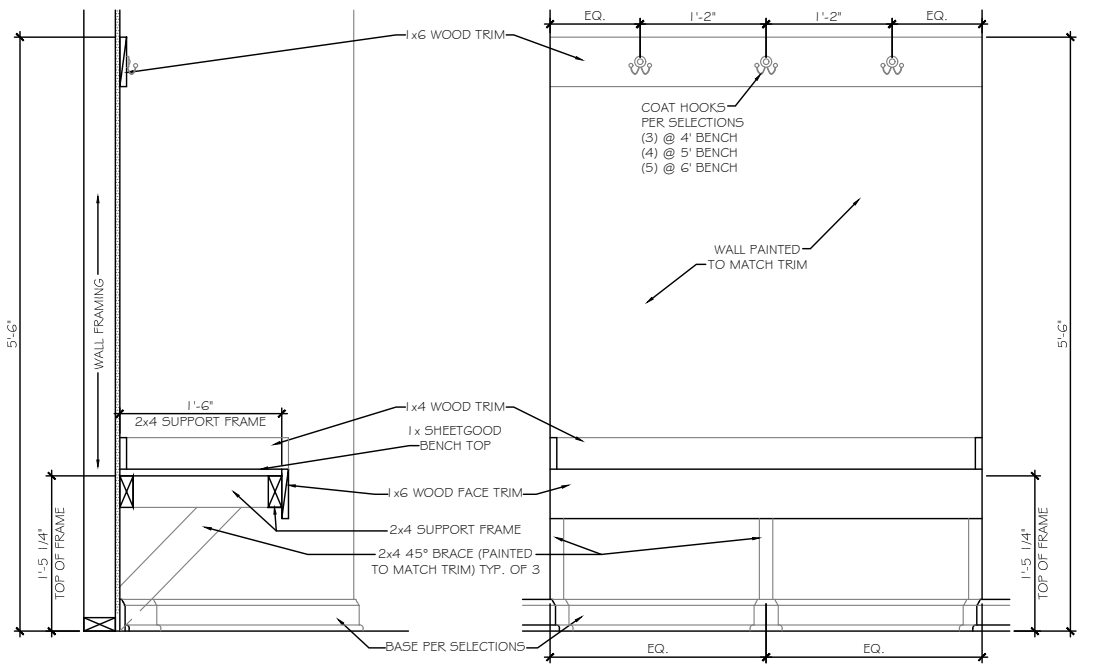
**D** ARCHED OPENING DETAIL  
SCALE: 3/8" = 1'-0"



**E** 9" CEILING  
\*WOOD FAUX BEAMS KITCHEN/NOOK ONLY



**F** 10" CEILING  
\*WOOD FAUX BEAMS KITCHEN/NOOK ONLY



**TrueHomes**  
IT'S ALL ABOUT U  
2649 Breckridge Centre Dr.  
Suite 104  
Monroe, N.C. 28110  
704-271-1191

WALKERS GROVE  
LOT# 1

HUNTLEY  
2630

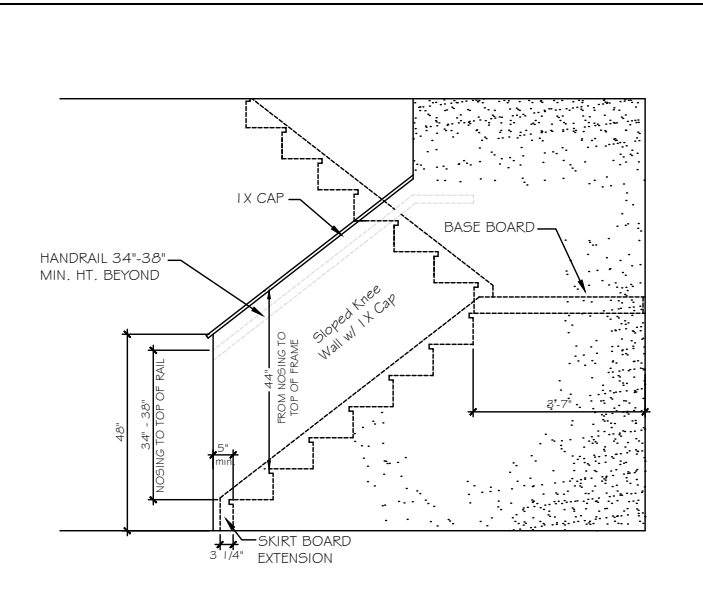
HARNETT

Copyright True Homes L.L.C. All rights reserved. The duplication, reproduction, copying, sale, rental, licensing, or any other distribution or use of these drawings, any portion thereof, or the plans depicted herein is strictly prohibited.

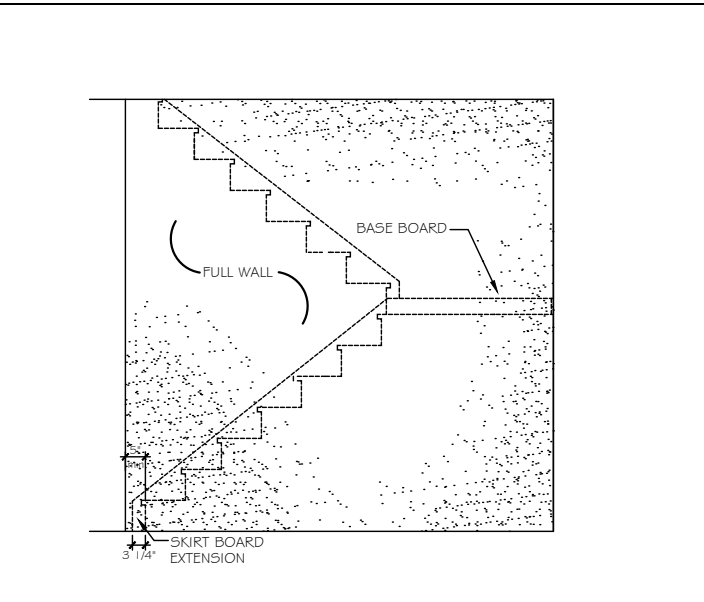
PREPARED BY:  
**WALTER**  
DATE:  
3-24-21  
SCALE:  
AS SHOWN  
REVIEWED BY:  
**CHUCK**

SHEET:  
**D5**

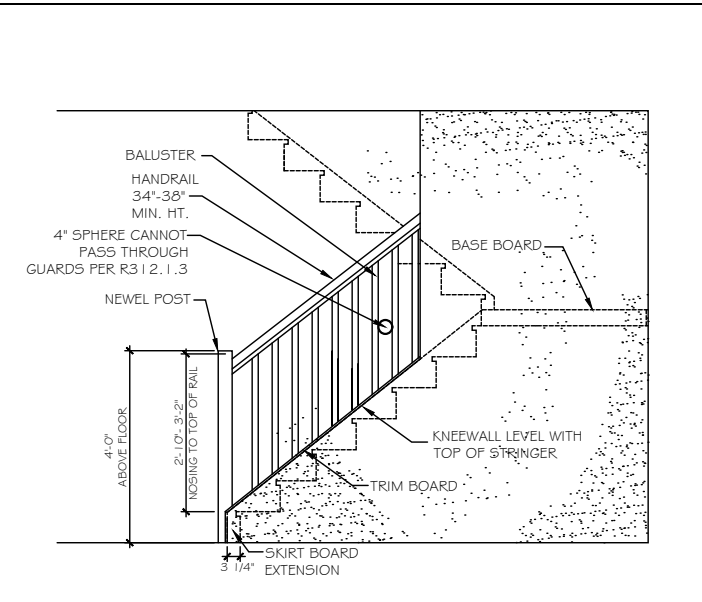




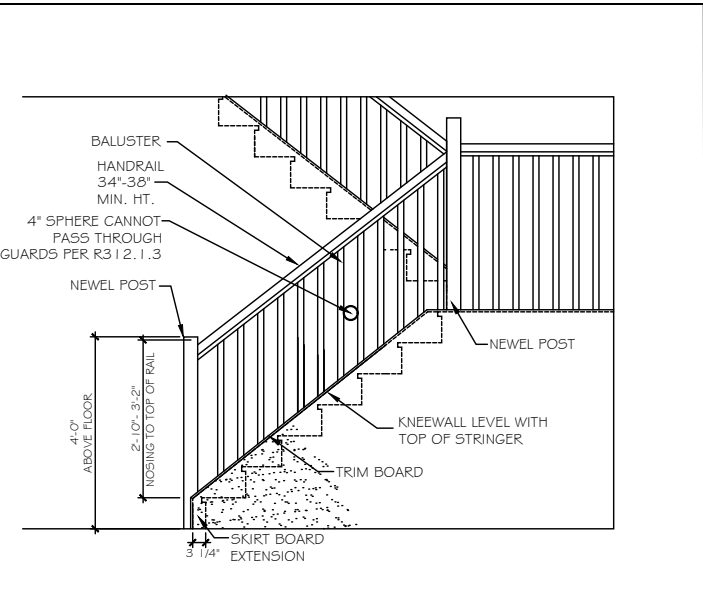
ST-1 48° SLOPED WALL w/ 1x CAP



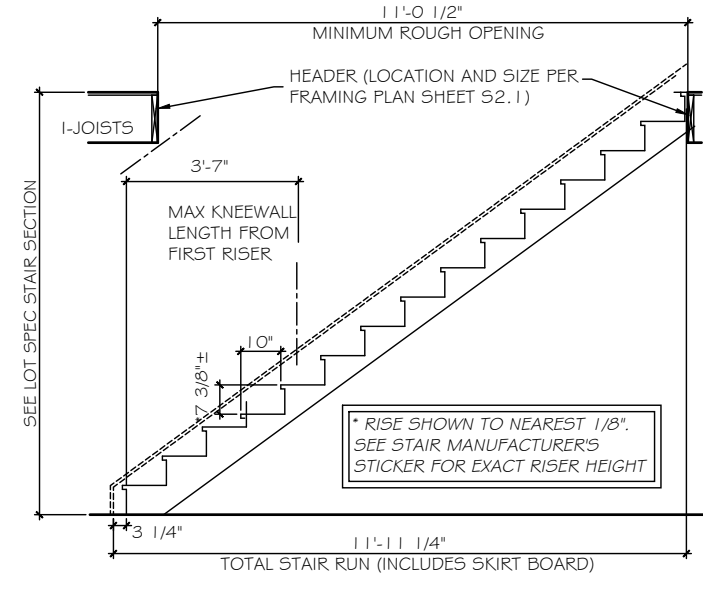
ST-2 FULL WALL



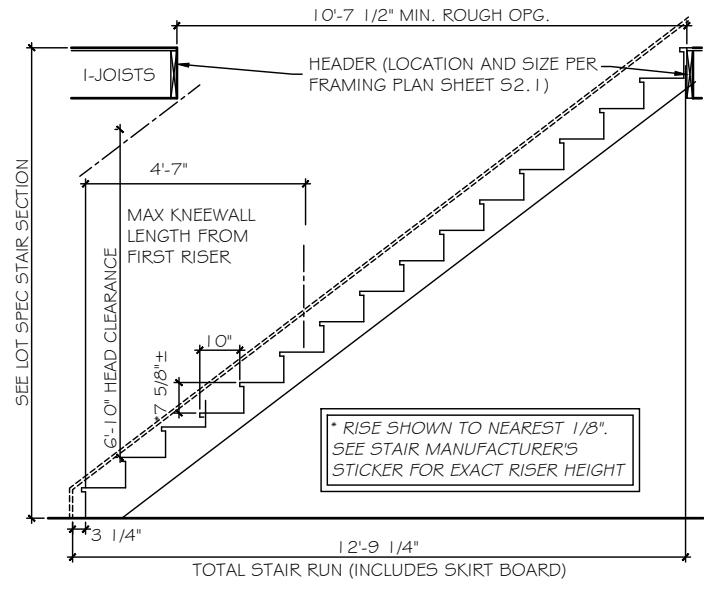
ST-3 OPT. OPEN RAIL



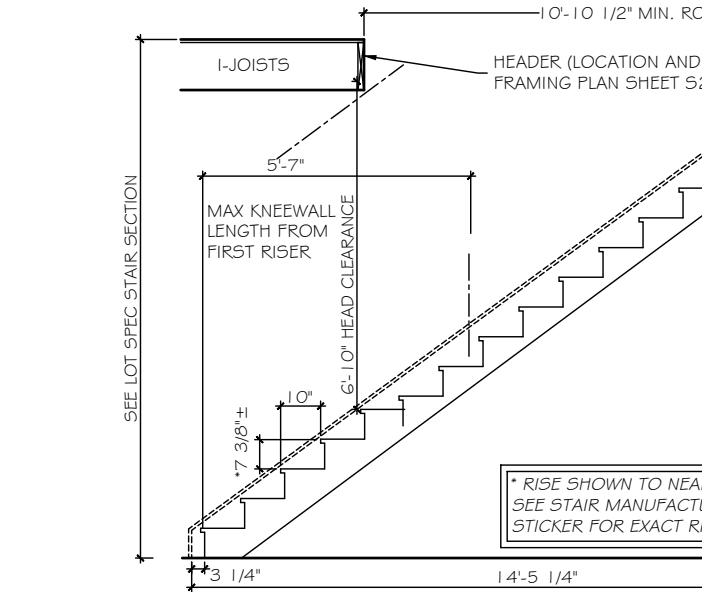
ST-4 OPT. OPEN RAIL FULL STAIR



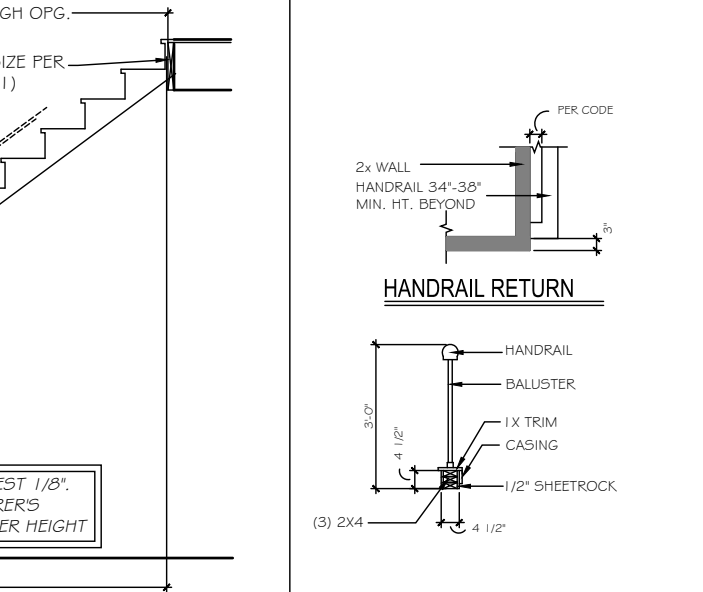
ST-5 STRAIGHT STAIR SECTION - 8ft CEILING HEIGHT w/ 11 7/8\"/>



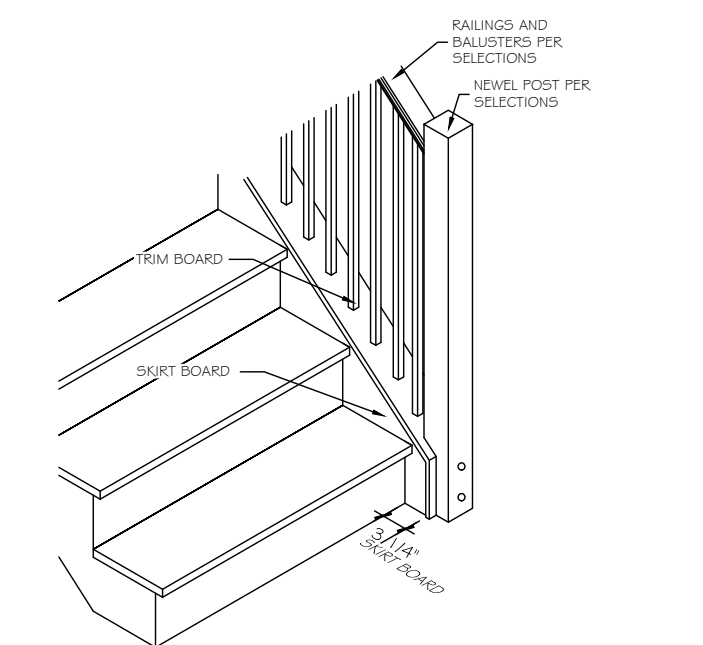
ST-6 STRAIGHT STAIR SECTION - 9ft CEILING HEIGHT w/ 11 7/8\"/>



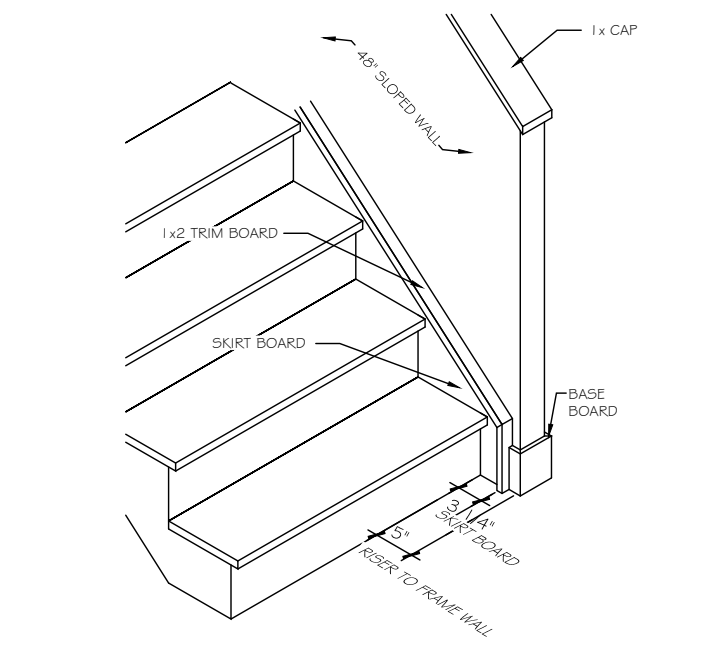
ST-7 STRAIGHT STAIR SECTION - 10ft CEILING HEIGHT w/ 11 7/8\"/>



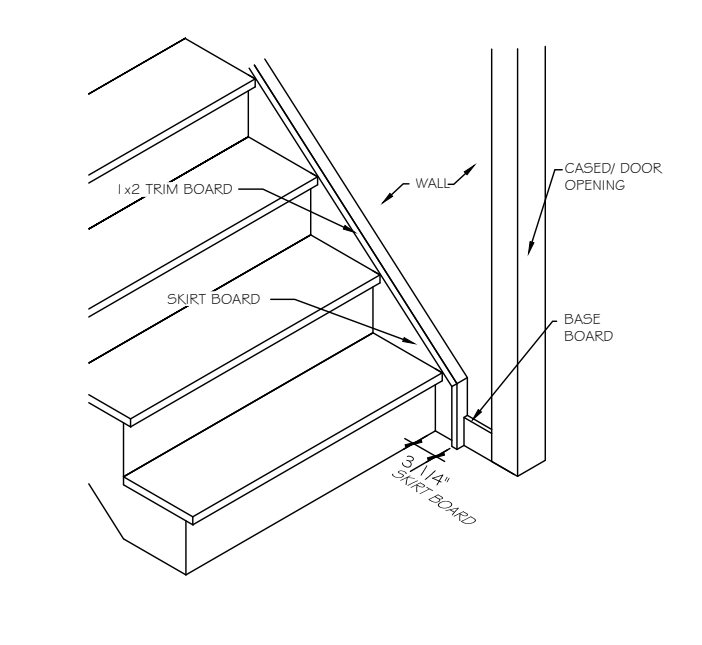
ST-8 HANDRAILS



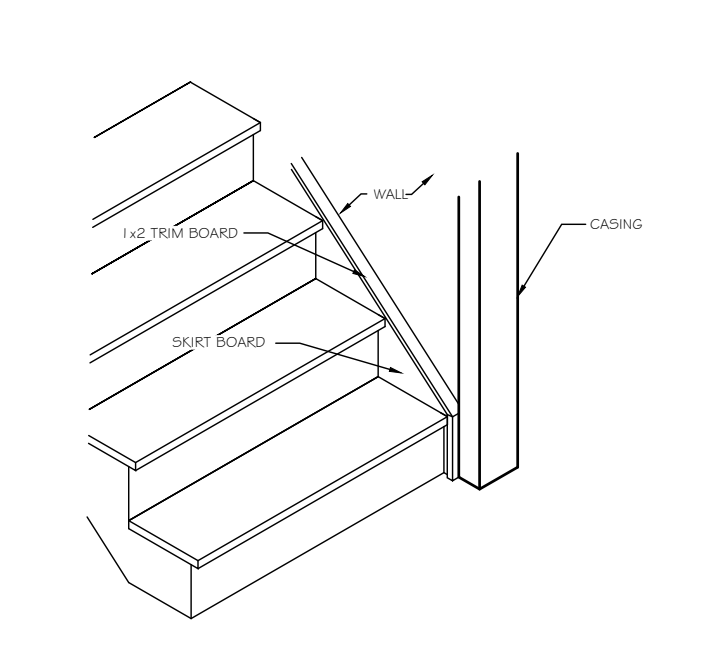
ST-9 OPT. OPEN RAIL - ISO



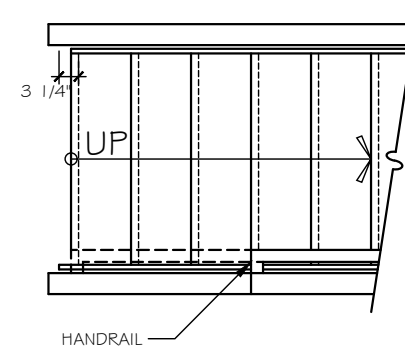
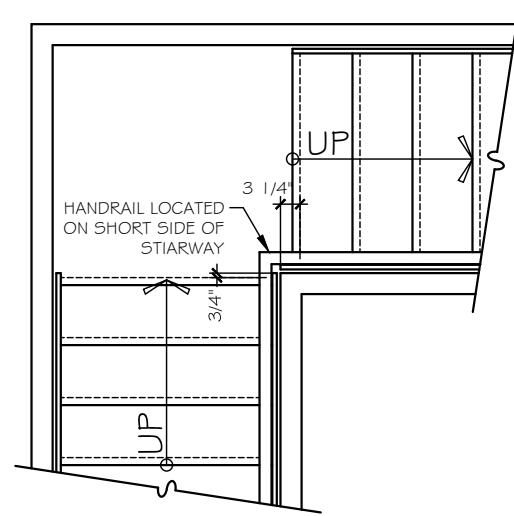
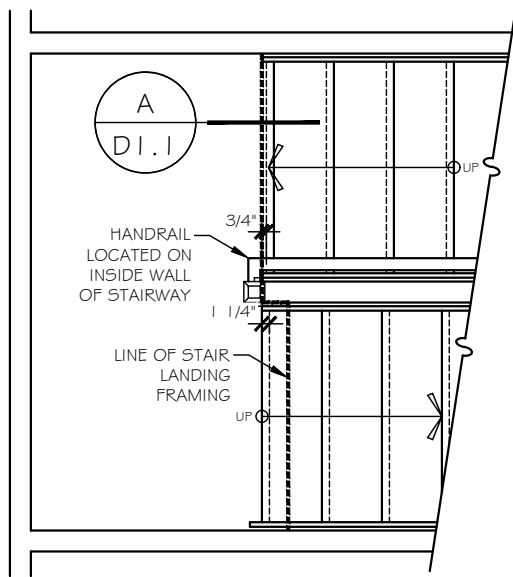
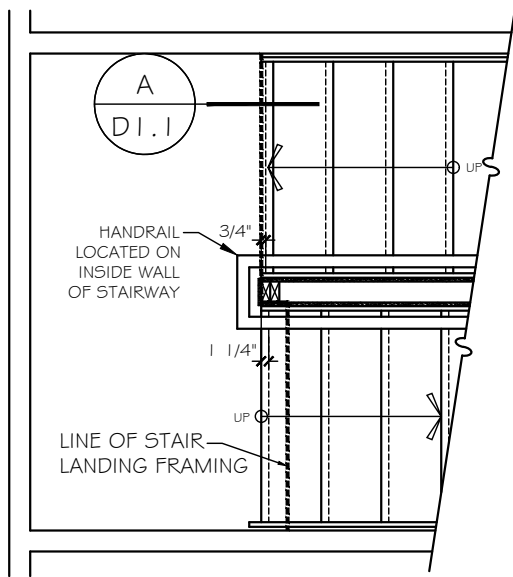
ST-10 48° SLOPED WALL w/ 1x CAP - ISO



ST-11 STAIRS @ CASSED OPENING - ISO



ST-12 TRIM SKIRT BOARD @ CASSED OPENING



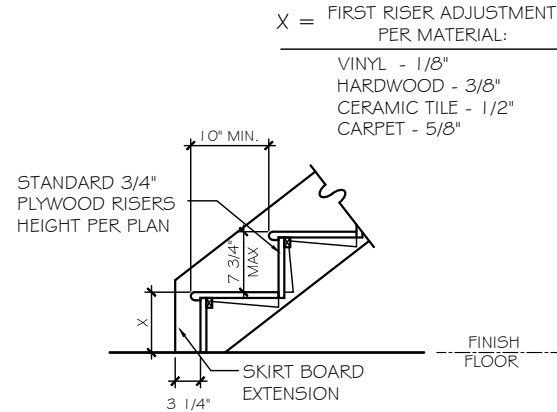
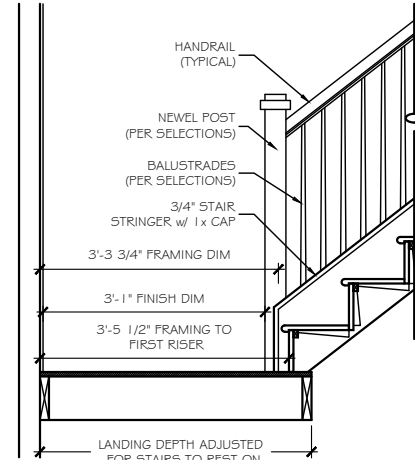
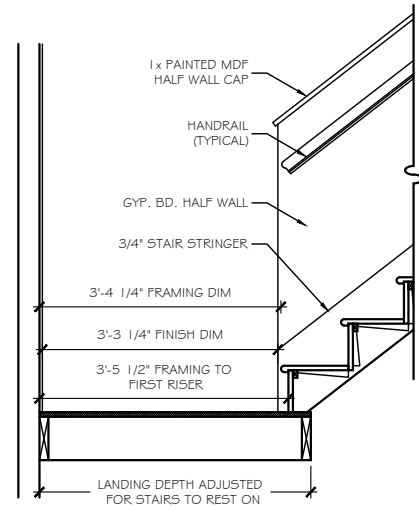
FOR STRAIGHT RUN STAIRWAYS WITHOUT AN INTERMEDIATE LANDING BETWEEN FLOORS, THE HANDRAIL SHOULD BE LOCATED ON THE SAME SIDE AS A FIRST FLOOR HALF WALL OR OPEN RAIL; IF BOTH SIDES HAVE A FIRST FLOOR HALF WALL OR OPEN RAIL, OR IF NONE EXIST, LOCATE THE HANDRAIL ON THE RIGHT SIDE OF THE STAIRWAY

ST-13 STAIR LANDING HALF WALL w/ CAP

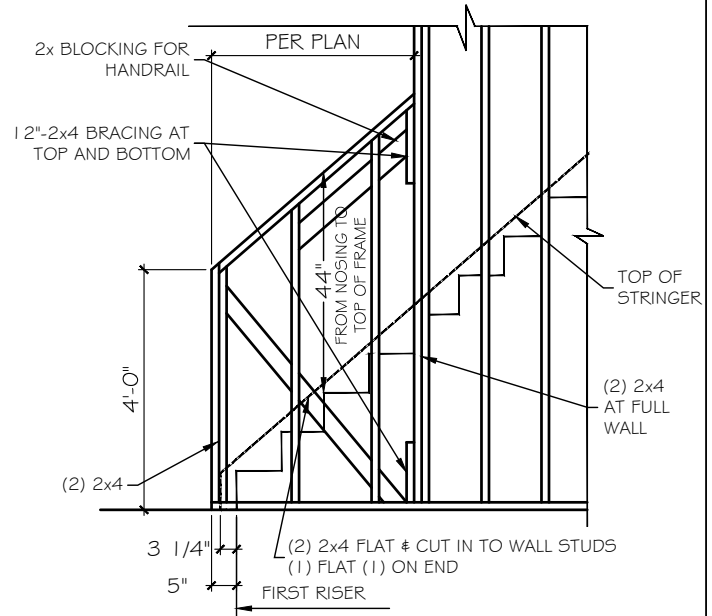
ST-14 STAIR LANDING NEWEL POST & BALUSTRADES

ST-15 STAIR LANDING FULL WALL

ST-15a STAIR w/o INTERMEDIATE LANDING



X = FIRST RISER ADJUSTMENT PER MATERIAL:  
 VINYL - 1/8"  
 HARDWOOD - 3/8"  
 CERAMIC TILE - 1/2"  
 CARPET - 5/8"

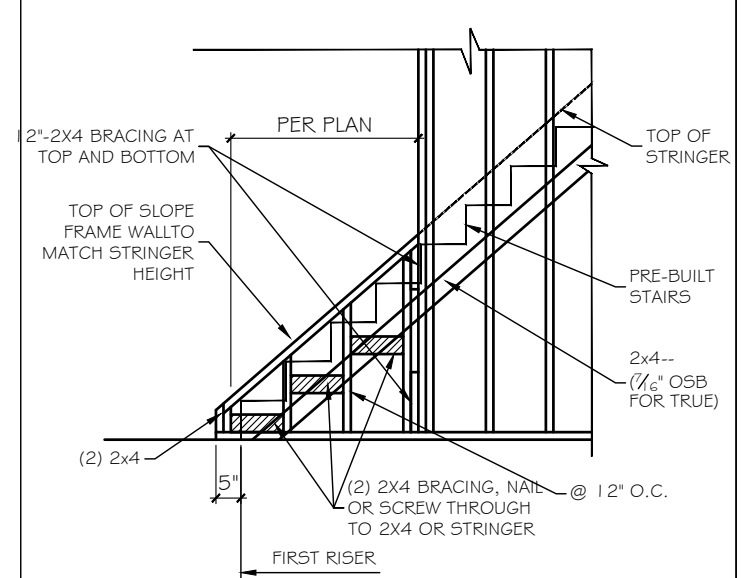
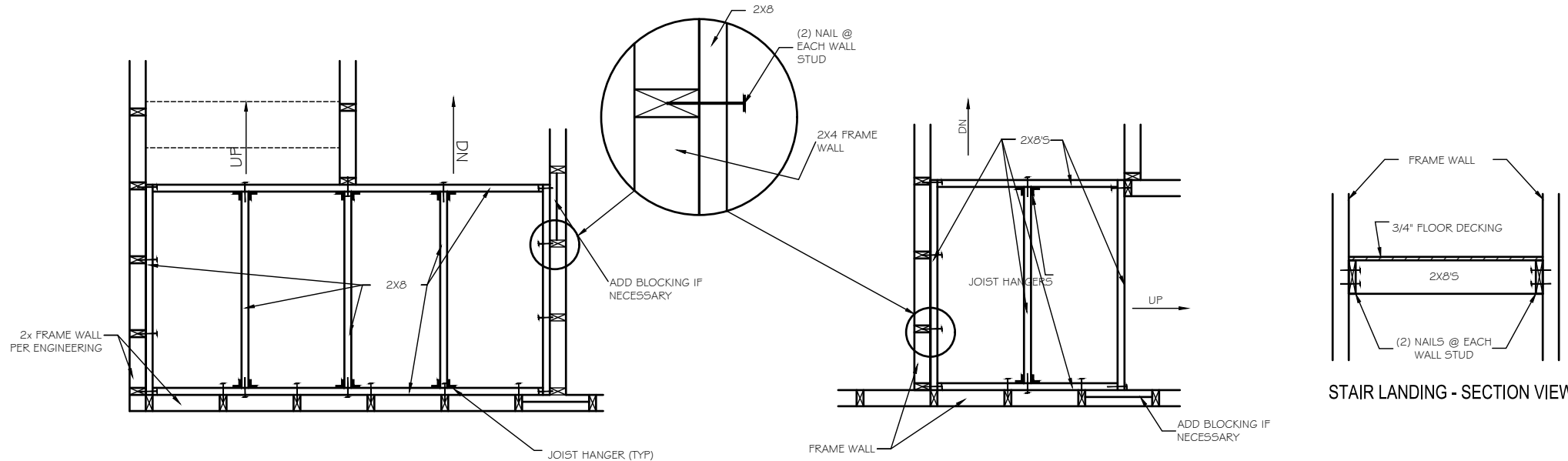


ST-17 SECTION A- SLOPED WALL

ST-18 SECTION A- OPEN RAIL

ST-19 STAIR SECTION - FIRST FLOOR

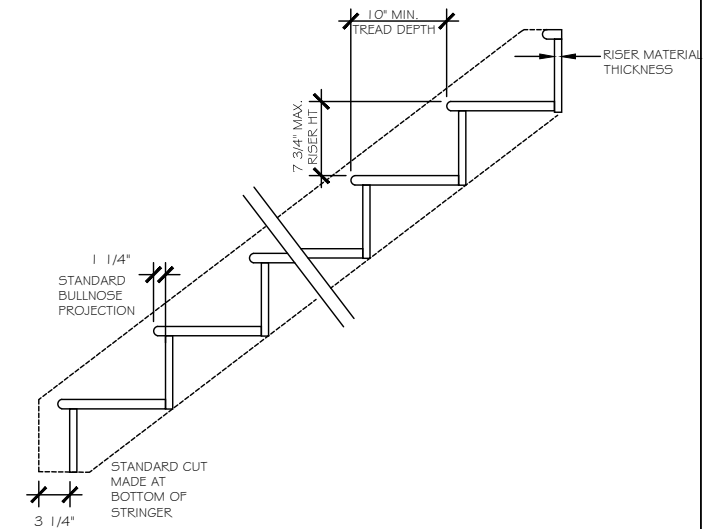
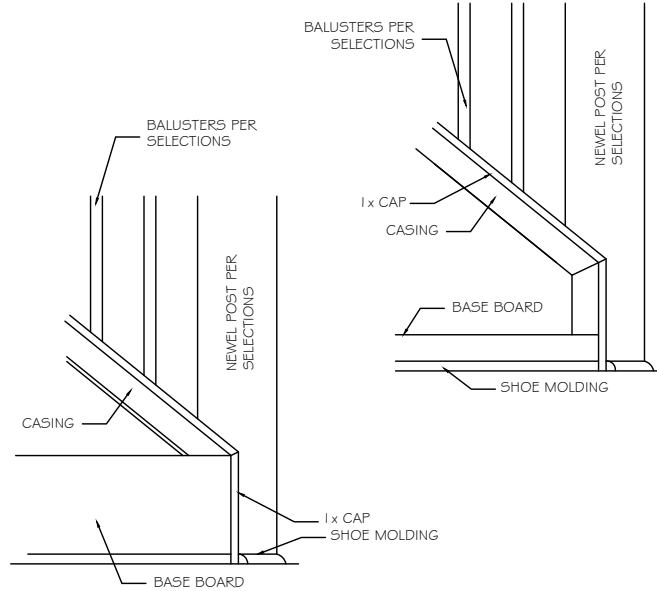
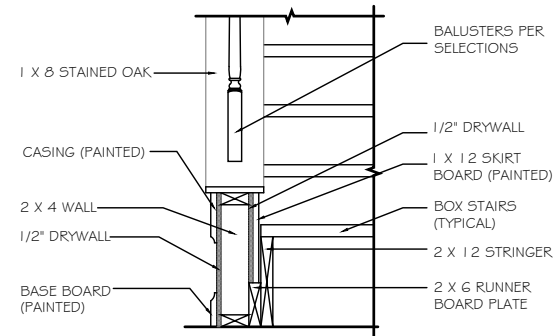
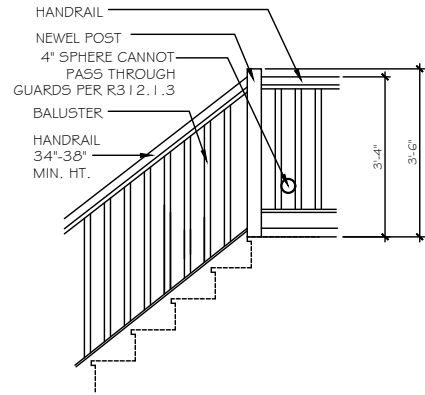
ST-16 SLOPED WALL @ STAIRS - FRAMING



ST-21 STAIR LANDING - PLAN VIEW

ST-20 OPEN RAIL - CURB WALL FRAMING



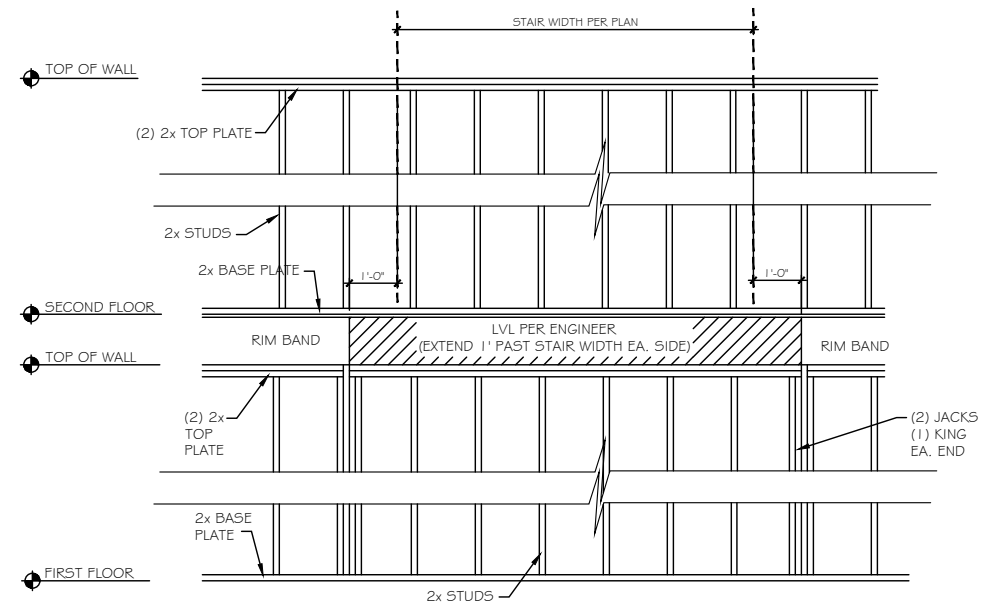
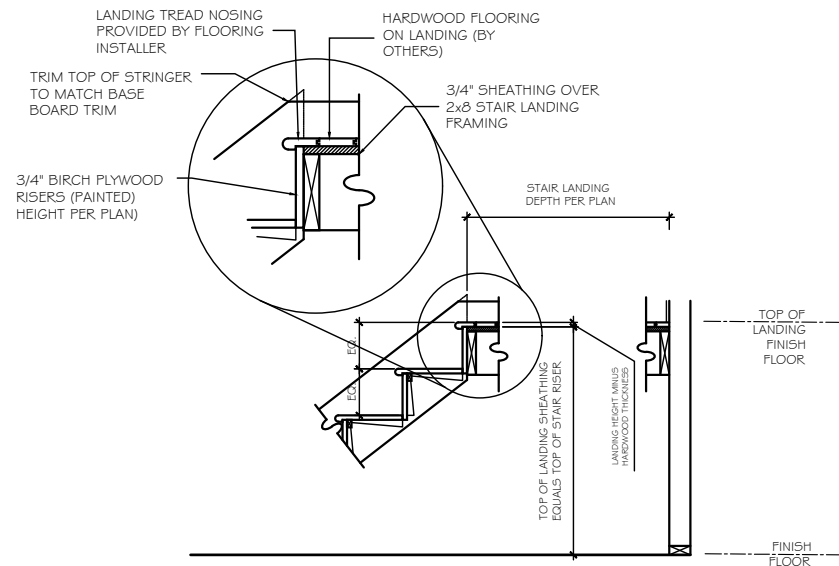


ST-23 OPT. OPEN RAIL AT LANDING

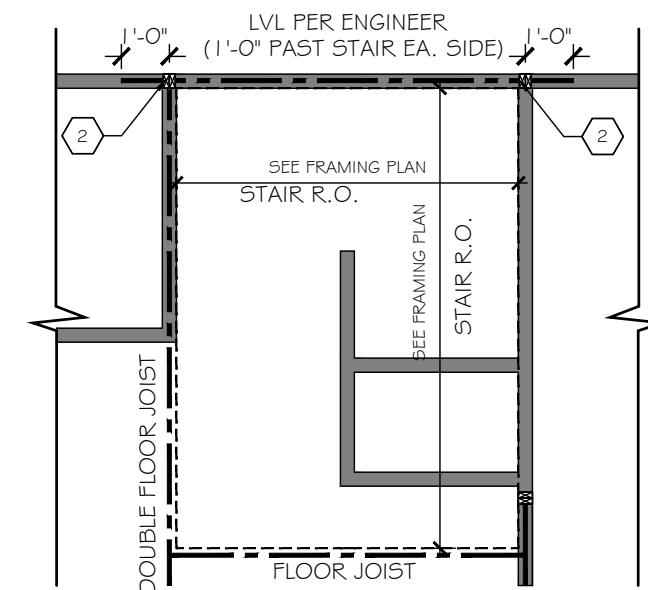
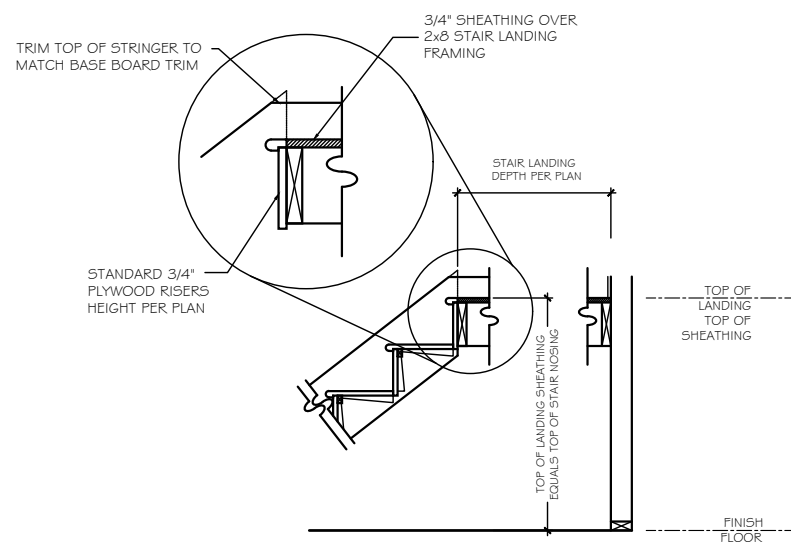
ST-24 SECTION @ CURB WALL

ST-25 OUTSIDE TRIM @ STAIR CURB WALL

STAIR SECTION



ST-26 STAIR SECTION - HARDWOOD STAIRS AND LANDING



ST-27 STAIR SECTION - CARPET STAIRS AND LANDING

ST-28 EXTERIOR WALL FRAMING @ U-SHAPED STAIRS in BALLOON FRAMING

**TrueHomes**  
 IT'S ALL ABOUT U  
 2649 Breckridge Centre Dr.  
 Suite 104  
 Monroe, N.C. 28110  
 704-271-1191

WALKERS GROVE

LOT# 1

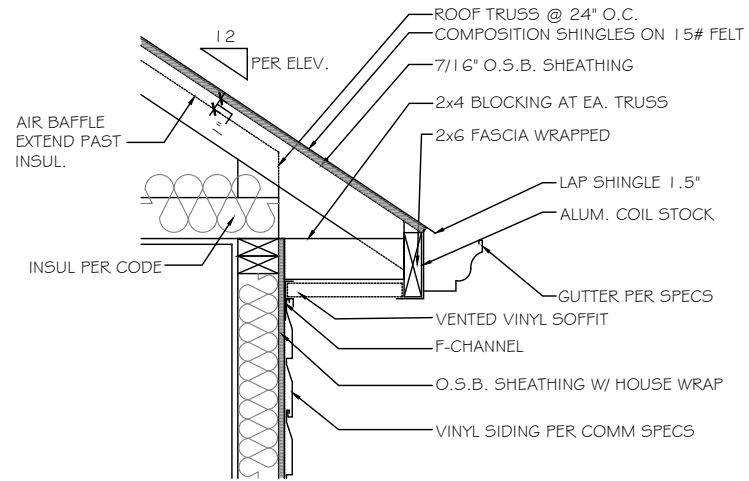
HUNTLEY  
 2630

HARNETT

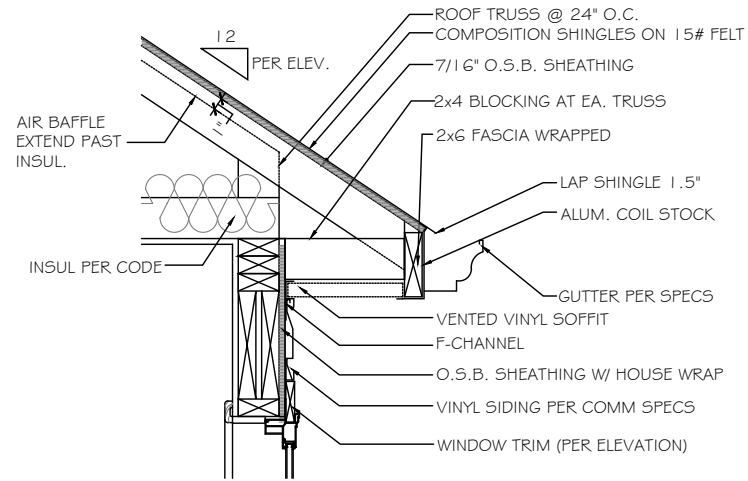
Copyright True Homes L.L.C. All rights reserved. The duplication, reproduction, copying, sale, rental, licensing, or any other distribution or use of these drawings, any portion thereof, or the plans depicted hereon is strictly prohibited.

PREPARED BY:  
**WALTER**  
 DATE:  
 3-24-21  
 SCALE:  
 AS SHOWN  
 REVIEWED BY:  
**CHUCK**

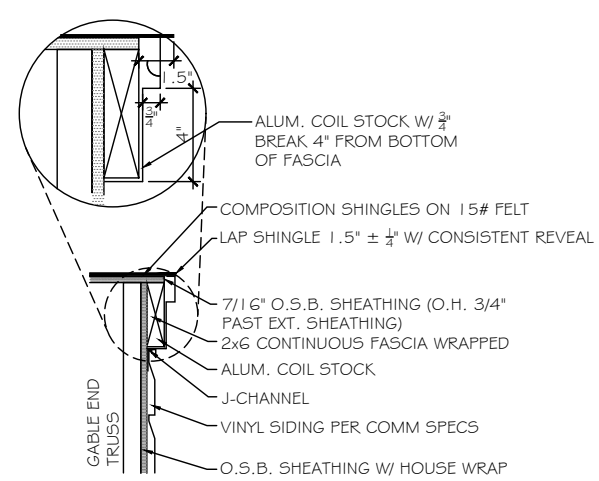
SHEET:  
**D5.3**



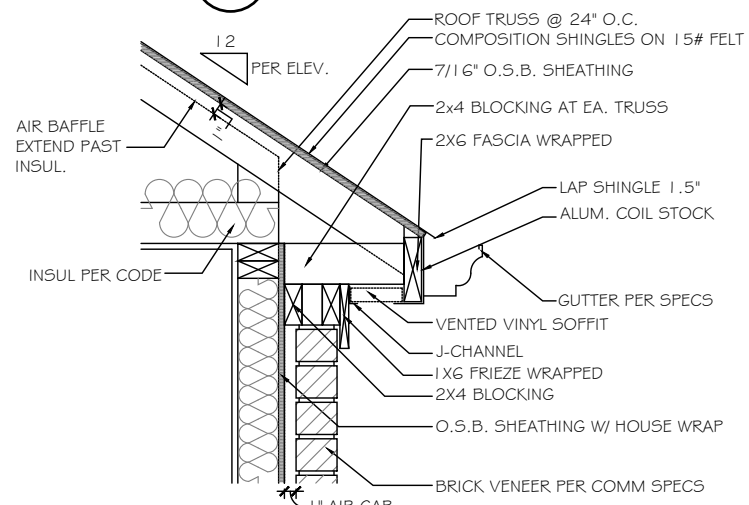
**A** CORNICE DETAIL - VINYL/VINYL  
SCALE: NOT TO SCALE SIDES & REAR



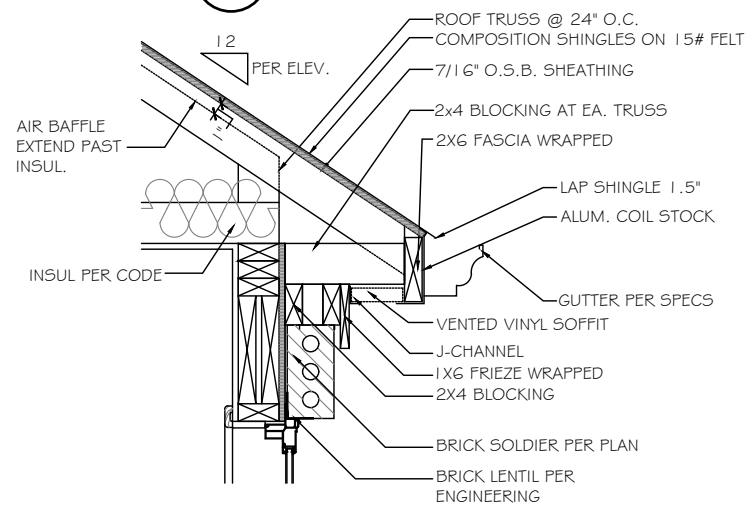
**B** CORNICE DETAIL - VINYL/VINYL  
SCALE: NOT TO SCALE OVER WINDOW



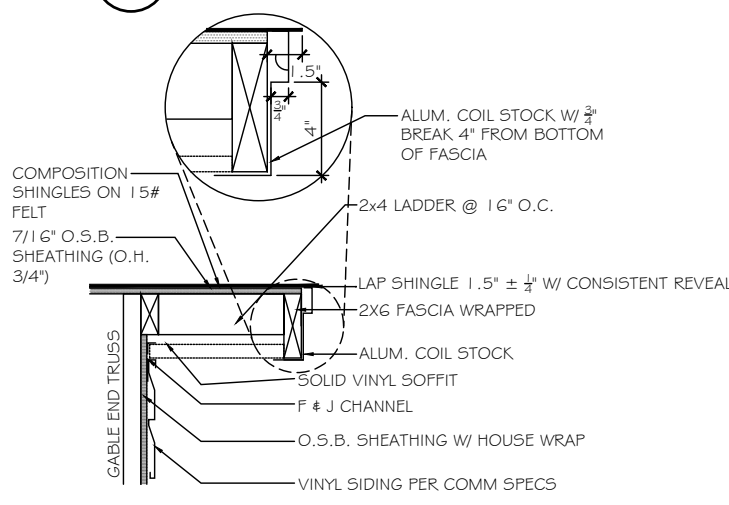
**C** FLUSH RAKE DETAIL - VINYL/VINYL  
SCALE: NOT TO SCALE GABLE END



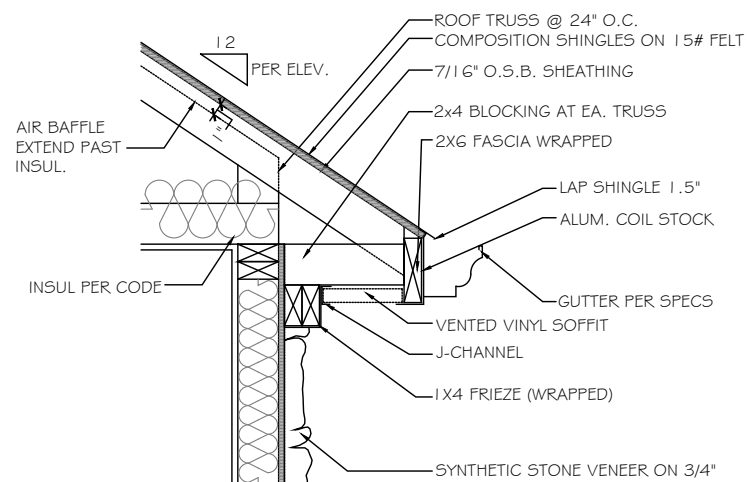
**D** BRICK CORNICE DETAIL - VINYL/VINYL  
SCALE: NOT TO SCALE FRONT



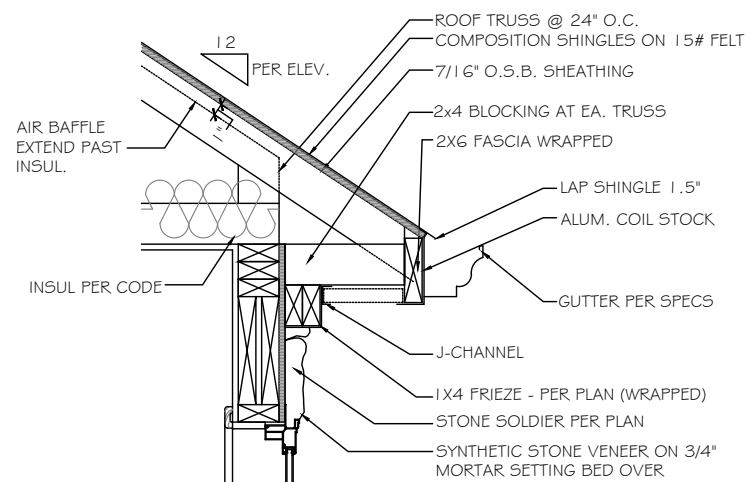
**E** BRICK CORNICE DETAIL - VINYL/VINYL  
SCALE: NOT TO SCALE OVER WINDOW



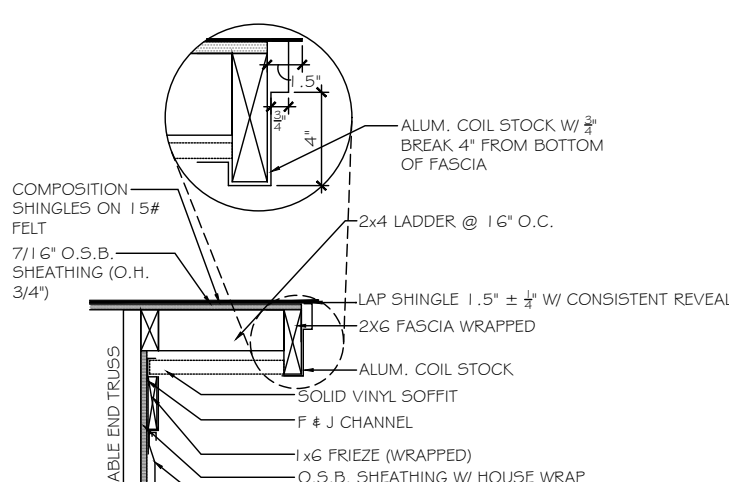
**F** RAKE OVERHANG DETAIL - VINYL/VINYL  
SCALE: NOT TO SCALE GABLE END SIDE



**G** STONE CORNICE DETAIL - VINYL/VINYL  
SCALE: NOT TO SCALE FRONT & REAR



**H** STONE CORNICE DETAIL - VINYL/VINYL  
SCALE: NOT TO SCALE OVER WINDOW



**J** RAKE OVERHANG DETAIL w/ FRIEZE - VINYL/VINYL  
SCALE: NOT TO SCALE FRONT

**TrueHomes**  
IT'S ALL ABOUT U  
2649 Breckridge Centre Dr.  
Suite 104  
Monroe, N.C. 28110  
704-271-1191

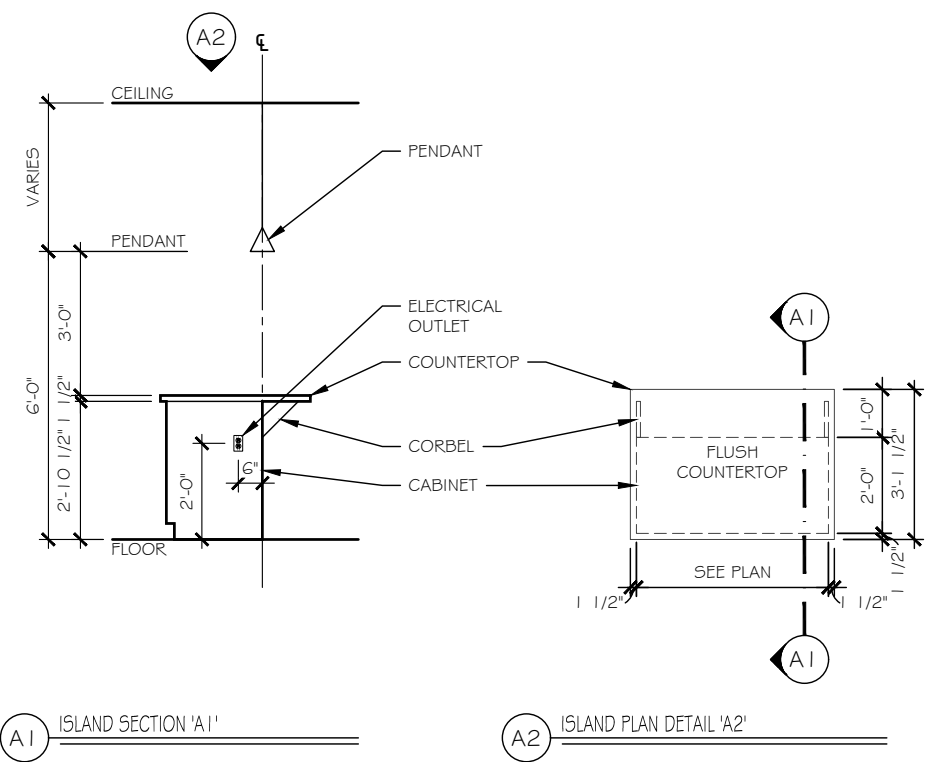
WALKERS GROVE  
LOT# 1

HUNTLEY  
2630

HARNETT

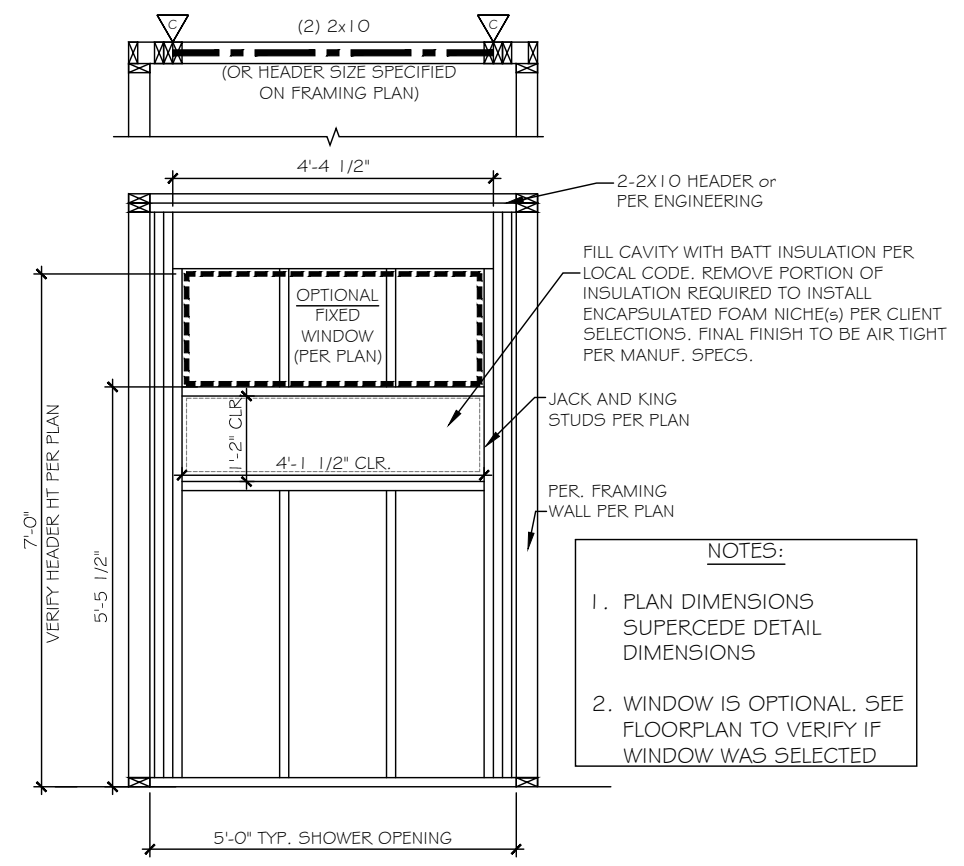
Copyright True Homes L.L.C. All rights reserved. The duplication, reproduction, copying, sale, rental, licensing, or any other distribution or use of these drawings, any portion thereof, or the plans depicted hereon is strictly prohibited.  
PREPARED BY:  
**WALTER**  
DATE:  
3-24-21  
SCALE:  
AS SHOWN  
REVIEWED BY:  
**CHUCK**

SHEET:  
**D9**

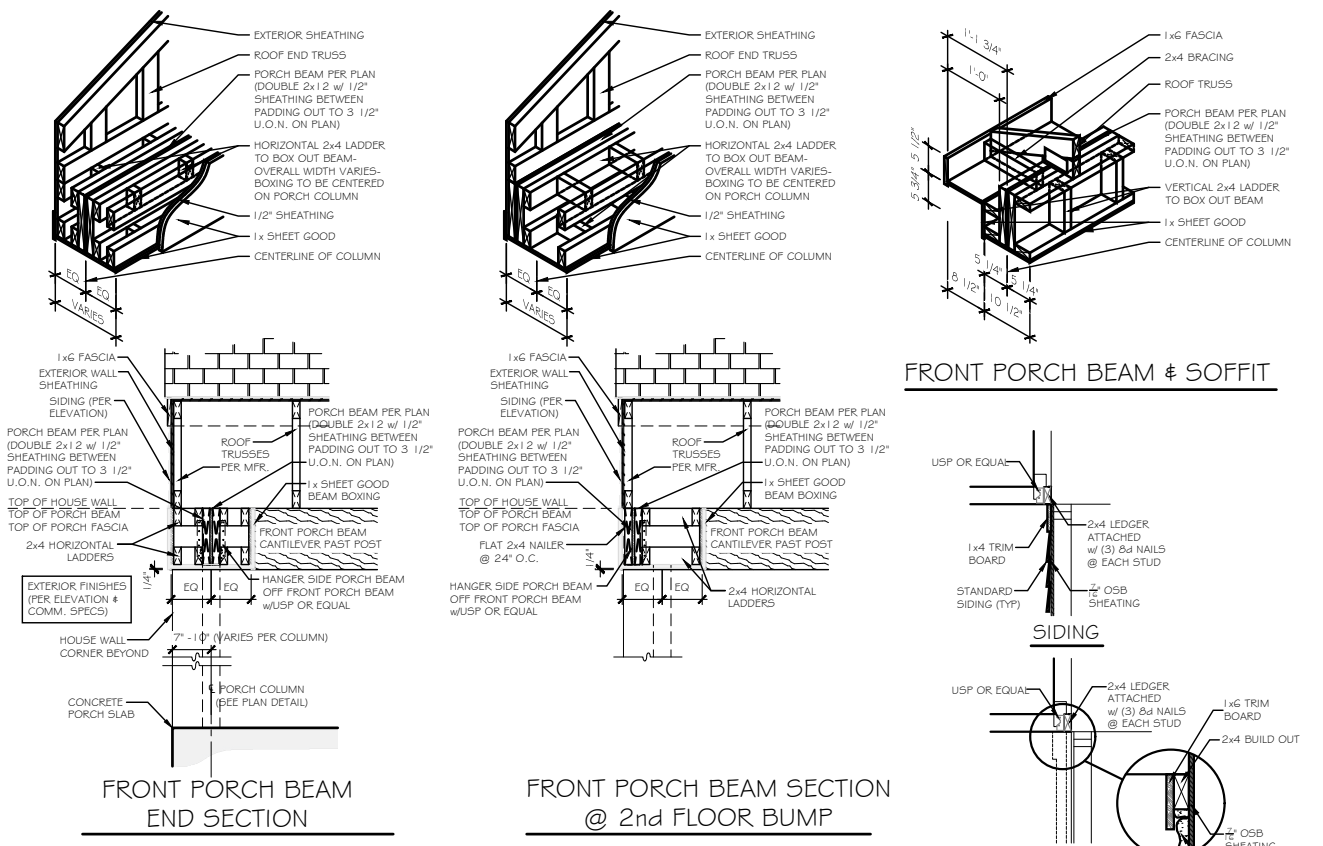


**A1** ISLAND SECTION 'A1'      **A2** ISLAND PLAN DETAIL 'A2'

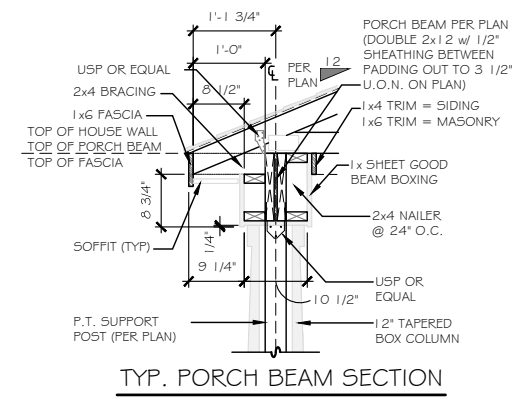
**A** KITCHEN ISLAND DETAILS - FLUSH COUNTERTOP w/ CABINET ONLY



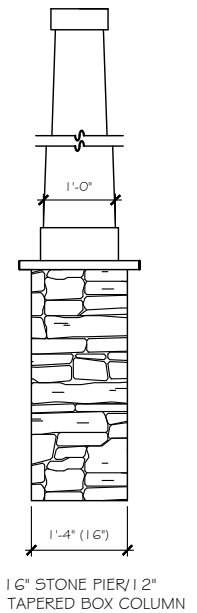
**C** TILE WALL NICHE DETAIL



FRONT PORCH BEAM END SECTION      FRONT PORCH BEAM SECTION @ 2nd FLOOR BUMP

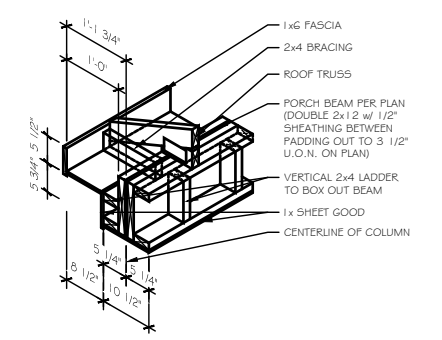


TYP. PORCH BEAM SECTION

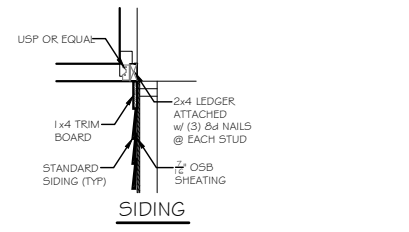


1 1/2" TAPERED COLUMN / 1 1/4" STONE PIER

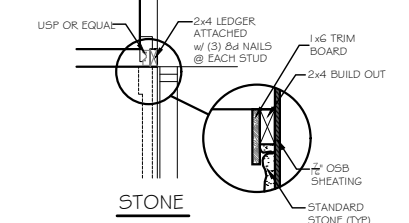
**B** FRONT PORCH COLUMN DETAIL  
NOTE: PLAN DIMENSIONS SUPERCEDE DETAIL DIMENSIONS



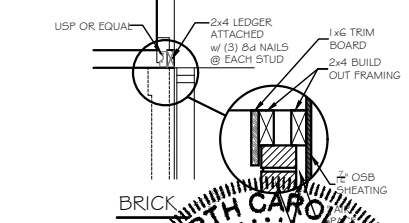
FRONT PORCH BEAM & SOFFIT



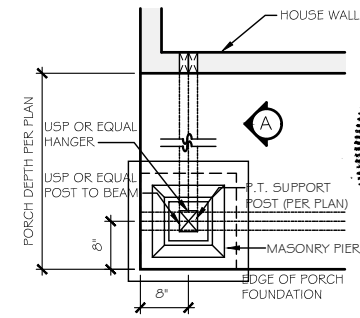
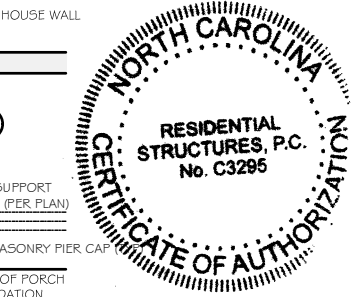
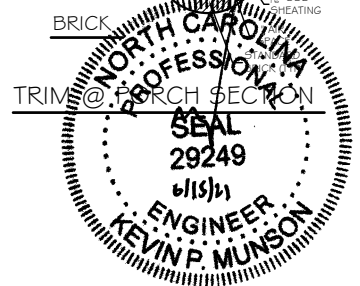
SIDING



STONE



BRICK



1 1/2" TAPERED COLUMN ON 1 1/4" SQ. PEDESTAL (STONE/BRICK)

**RESIDENTIAL STRUCTURES, P.C.**  
3410 N. Davidson St.  
Charlotte, N.C. 28205  
Send For Structural Only

**TrueHomes**  
IT'S ALL ABOUT U  
2649 Breckridge Centre Dr.  
Suite 104  
Monroe, N.C. 28110  
704-271-1191

**WALKERS GROVE**

**LOT# 1**

**HUNTLEY 2630**

**HARNETT**

Copyright True Homes L.L.C. All rights reserved. The duplication, reproduction, copying, sale, rental, licensing, or any other distribution or use of these drawings, any portion thereof, or the plans depicted herein is strictly prohibited.

PREPARED BY:  
**WALTER**

DATE:  
3-24-21

SCALE:  
AS SHOWN

REVIEWED BY:  
**CHUCK**

SHEET:  
**D10**