

TrueHomes

IT'S ALL ABOUT U

TrueHomes
IT'S ALL ABOUT U
2649 Breckridge Centre Dr.
Suite 104
Monroe, N.C. 28110
704-271-1191

HEADER SCHEDULE	
ALL INTERIOR BEARING AND EXTERIOR WALLS	
1. SPANS UP TO 3'-6"	-- (2) 2x8's
2. SPANS 3'-6" TO 6'-6"	-- (2) 2x10's
3. SPANS 6'-6" OR MORE	-- SEE PLAN
** SOUTH CAROLINA SPECIFIC NOTE **	
ALL OPENINGS IN THERMAL ENVELOPE MUST HAVE INSULATED HEADER PER CODE	

EXTERIOR HINGED DOOR SCHEDULE				
DOOR WIDTH		DOOR HEIGHT R.O.		
PLAN I.D.	R.O. WIDTH	8FT CEILING	9FT CEILING	10FT CEILING
3/0	3'-2 1/2"	82'-1/2"	82'-1/2"	98'-1/2"
2/8	2'-10 1/2"			
5/0	5'-3 5/8"			
5/4	5'-7 5/8"			
6/0	6'-3 5/8"	SLIDING PATIO DOORS		
5/0	60'-1/8"	80'-1/2"	80'-1/2"	96'-1/2"
6/0	72'-1/8"			

INTERIOR HINGED DOOR SCHEDULE				
DOOR WIDTH		DOOR HEIGHT R.O.		
PLAN I.D.	R.O. WIDTH	8FT CEILING	9FT CEILING	10FT CEILING
1/4	1'-6"	82'-1/2" NOMINAL DOOR HEIGHT + 2'-1/2"	82'-1/2" NOMINAL DOOR HEIGHT + 2'-1/2"	98'-1/2" NOMINAL DOOR HEIGHT + 2'-1/2"
1/6	1'-8"			
1/8	1'-10"			
2/0	2'-2"			
2/4	2'-6"			
2/6	2'-8"			
2/8	2'-10"			
2/10	3'-0"			
3/0	3'-2"			
4/0	4'-2"			
5/0	5'-2"			
6/0	6'-2"			

◊ EXTERIOR DOOR ○ INTERIOR DOOR

INTERIOR PASS THRU SCHEDULE		
FRAMED OPENING DIMENSIONS		
WALL HEIGHT	R.O. WIDTH	R.O. HEIGHT
8'-1 1/8"	PLAN I.D. + 2"	82'-1/2"
9'-1 1/8"	PLAN I.D. + 2"	94'-1/2"
10'-1 1/8"	PLAN I.D. + 2"	98'-1/2"
ROUGH OPENING HEIGHTS ARE FOR DO, CO, & AO OPENINGS. SHIM HEIGHTS AS NEEDED TO MATCH INTERIOR HINGED DOOR CASING		
INTERIOR DOORWAY OPENINGS: DO = DRYWALL OPENING CO = CASING OPENING AO = ARCHED OPENING		

GENERAL NOTES

- PLANS PERMITTED IN NORTH CAROLINA ARE DESIGNED TO MEET THE 2018 NORTH CAROLINA RESIDENTIAL BUILDING CODE, AS ISSUED BY THE STATE OF NORTH CAROLINA, AND PLANS PERMITTED IN SOUTH CAROLINA DESIGNED TO MEET 2018 INTERNATIONAL RESIDENTIAL BUILDING CODE AS ISSUED BY THE STATE OF SOUTH CAROLINA, WITH MODIFICATIONS AS REQUIRED TO MEET LOCAL BUILDING CODES FOR EACH APPLICABLE JURISDICTION.
- DO NOT SCALE DIMENSIONS FROM PRINTS. USE DIMENSIONS GIVEN OR CONSULT ARCHITECTURAL SERVICES DEPARTMENT FOR FURTHER CLARIFICATION.
- ALL DIMENSIONS ARE FROM WALL FRAMING (FACE OF STUD), NO FINISHED DIMENSIONS ARE GIVEN U.N.O.
- PROVIDE 2 STUDS BETWEEN ALL WINDOWS.(TYP)
- ACCESS DOORS BETWEEN HOUSE AND GARAGE AREAS TO BE 20-MINUTE FIRE RATED.
- ALL INTERIOR NON-LOAD BEARING WALLS TO BE 2x4 STUDS @ 24" O.C. (U.N.O.). OR AS SPECIFIED PER COMMUNITY SPECS & MUNICIPALITY REQUIREMENTS.
- ALL STRUCTURAL FRAMING LUMBER EXPOSED DIRECTLY TO THE WEATHER OR BEARING DIRECTLY ON MASONRY OR CONCRETE SHALL BE TREATED. ALL WOOD IN CONTACT WITH THE GROUND MUST BE GROUND-CONTACT APPROVED. ALL WOOD EXPOSED DIRECTLY TO THE WEATHER SHALL BE PROTECTED TO PREVENT THE OCCURRENCE OF ROT.
- ALL ANGLED WALLS ARE AT 45 DEGREES UNLESS NOTED OTHERWISE.
- REFER TO QUALITY STANDARDS AND/OR MANUFACTURER SPECS FOR WINDOW ROUGH OPENING SIZES. SEE ELEVATIONS FOR WINDOW HEADER HEIGHTS (U.N.O.).
- PROVIDE BLOCKING ABOVE WINDOWS AND DOORS 16" O.C.
- PROVIDE EXTRA STUDS AS INDICATED AT BEAM BEARING LOCATIONS.
- WALLS TO BE FRAMED WITH STUDS AT 16" O.C. AT KITCHEN WALLS WITH CABINETS AND AT TUB/SHOWER LOCATIONS (PER MANUF.).
- ALL COMMON CEILING BETWEEN GARAGE TO HOUSE PROVIDE 5/8" TYPE X GWB PER GARAGE SEPARATION REQUIREMENTS PER CODE. ALL JOINTS TO BE TAPED & MUDDER FOR FIRE SEPARATION. ALL STRUCTURES SUPPORTING FLOOR/CEILING ASSEMBLIES USED FOR SEPARATION REQUIRE NOT LESS THAN 1/2" GYP OR EQ. PER SECTION R302.6
- SEPARATE GARAGE FROM ATTIC WITH 5/8" TYPE X GWB SCUTTLE MINIMUM AND 2X SCUTTLE FRAMING MATERIAL.
- HEEL HEIGHTS: SEE ELEVATIONS SHEETS FOR TOP OF FASCIA DIMENSIONS TO GATHER PROPER HEEL HEIGHT REQUIREMENTS.
- PROVIDE AND INSTALL LOCALLY CERTIFIED SMOKE DETECTORS AND CARBON MONOXIDE DETECTORS AS REQUIRED BY NATIONAL FIRE PROTECTION ASSOCIATION AND MEETING THE REQUIREMENTS OF ALL GOVERNING CODES AND PER MANUFACTURER SPECS.
- STAIR TREAD DESIGN TO BE VERIFIED WITH SELECTIONS AND PO'S.
- PROVIDE 1 1/2" FLAT WALL FRAMING FOR ALL HVAC CHASES UNLESS NOTED OTHERWISE. SEE FRAMING SHEET GN FOR ADDITIONAL NOTES PER LOCAL CODES.
- FOR TRADITIONS, ELEMENTS, INTEGRITY, AND TRIBUTE SERIES, DOORS SHOULD BE LOCATED 4" OFF ADJACENT WALLS OR CENTERED IN THE WALL UNLESS NOTED OTHERWISE. DESIGNER SERIES SHOULD BE LOCATED 6" OFF ADJACENT WALLS OR CENTERED IN THE WALL UNLESS NOTED OTHERWISE.
- ALL HOMES TREATED WITH BORA-CARE TERMITE TREATMENT.
- SMURF DOORS ARE 21 1/2" x 39" NOMINAL (R.O. 22 1/2" x 40").
- SHEATH WALLS AND CEILINGS w/ OSB PER SPECS. IN FURN. ROOM LOCATIONS
- ALL PLANS ARE GENERATED WITH THE AID OF A COMPUTER AIDED DRAFTING SYSTEM.
- DIMENSION AND NOTATIONS ON PLANS HAVE PREFERENCE OVER GRAPHIC DEPICTIONS AND SHOULD BE UTILIZED TO SETTLE ANY DISCREPANCIES - ANY DISCREPANCIES FOUND SHOULD BE FORWARDED TO THE ARCHITECTURAL SERVICES DEPARTMENT FOR RESOLUTION.
- TYPICAL FOUNDATION AND ENGINEERING CONSTRUCTION DETAILS ARE SHOWN IN RESPECTIVE PLANS. TYPICAL DETAILS SHALL APPLY TO ALL SITUATIONS OCCURRING ON THE PLAN THAT ARE THE SAME OR SIMILAR TO THOSE SPECIALLY DETAILED. THE APPLICABILITY OF THE DETAIL TO ITS LOCATION ON THE DRAWINGS CAN BE DETERMINED BY THE TITLE OF THE DETAIL. SUCH DETAILS SHALL APPLY WITH OR NOT THEY ARE REFERENCED AT EACH LOCATION.
- ALL CONSTRUCTION SPECIFICATION NOT COVERED ON THIS SHEET, OR IN PLAN SETS AND GENERAL SPECIFICATIONS, ARE TO MEET ALL APPLICABLE STATE AND LOCAL BUILDING CODES.
- HOUSE CONSTRUCTION IS TYPICAL 2X4 STUDS AT 16" O.C. AT ALL EXTERIOR WALLS UNLESS OTHERWISE NOTED. WALLS THAT ARE TO BE BALLOON FRAMED OR CONSTRUCTED WITH 2X6 STUDS WILL BE NOTED AS SUCH. ALL BASEMENT FRAMED WALLS TO BE 2X4 STUDS FOR ONE-STORY PLANS AND 2X6 STUDS FOR LOAD BEARING WALLS ON TWO-STORY PLANS UNLESS OTHERWISE NOTED.
- PLANS ARE GENERATED FROM A COMMON GRAPHIC DATABASE WITH MODIFICATIONS AS REQUIRED TO ADAPT PLANS TO LOCAL BUILDING CONDITIONS AND SPECS FOR EACH LOCALITY.
- TRUE HOMES RESERVES THE RIGHT TO MAKE MODIFICATIONS TO FLOOR PLANS, DIMENSIONS, MATERIALS, AND SPECIFICATIONS WITHOUT NOTICE. THESE DRAWINGS ARE FOR THE PURPOSE OF CONVEYING AN ARCHITECTURAL CONCEPT ONLY.

RALEIGH DESIGN CRITERIA

- DESIGN LOADS ARE ALL DEAD LOADS PLUS:
 - SLEEPING ROOMS.....30 PSF
 - ALL OTHER FLOORS.....40 PSF
 - BALCONIES.....40 PSF
 - ATTIC FLOOR LIVE LOADING WITH THE FOLLOWING:
 - AREA ACCESSIBLE BY STAIRS.....40 PSF
 - ROOF SLOPES >3:12.....20 PSF
 - ROOF SLOPES <3:12.....10 PSF
 - ROOF LIVE LOAD.....20 PSF
 - WIND LOAD.....115 MPH
 - SNOW LOAD.....20 PSF
 - SEISMIC ZONE.....B
 - DESIGN IS COMPLIANT WITH 2018 NCRG ENERGY CODE N1102.2 PRESCRIPTIVE FOR CLIMATE ZONE 4A

REVISION LOG	
1. DATE:	DRAWN BY:
2. DATE:	DRAWN BY:
3. DATE:	DRAWN BY:
4. DATE:	DRAWN BY:

THE 'WARREN'

LOT 14
TBD WALKER GROVE LANE
LILLINGTON, NC 27546

COMMUNITY SPECS

- MONO FOUNDATION
- VINYL SIDING / VINYL SOFFIT
- 2 CAR GARAGE

SQUARE FOOTAGE	
FIRST FLOOR	1599 SQ.FT.
SECOND FLOOR	1709 SQ.FT.
TOTAL LIVABLE	3308 SQ.FT.
FRONT COVERED PORCH	122 SQ.FT.
3-CAR GARAGE	618 SQ.FT.
REAR CONCRETE PATIO	120 SQ.FT.
OVERALL HT. (FF to Ridge)	28'-11"
PLATE HEIGHT(S)	9' / 8'

ELEMENTS

HELP HOTLINES
"WHEN IN DOUBT, GIVE US A SHOUT"
TRUE BUILDER:
(To be filled in by Builder on site)
NAME: _____
NUMBER: _____

ARCHITECTURAL SERVICES:

- Missing or Conflicting Dimensions
- Plan Legibility
- Missing Options

Mon-Fri: 8am - 5pm
CHARLOTTE MKTS: 704-681-2032
ALL OTHER MKTS: 704-993-1861
E-mail: CADISSUE@truehomesusa.com

ESTIMATING:

- Missing Material or Shortage
- Purchase Order Questions

Mon-Fri: 8am - 5pm
ALL MKTS: 704-681-4916

TABLE OF CONTENTS	
CS	COVER SHEET
A2.1	FIRST FLOOR PLAN
A2.2	SECOND FLOOR PLAN
A3.1	FRONT & SIDE ELEVATIONS
A3.2	REAR & SIDE ELEVATIONS
A4.1	STAIR SECTIONS
E1.1	FIRST FLOOR ELECTRICAL PLAN
E1.2	SECOND FLOOR ELECTRICAL PLAN
S1	FOUNDATION PLAN
S2.1	FIRST FLOOR FRAMING
S3.1	ROOF FRAMING PLAN
GN	GENERAL STRUCTURAL NOTES
AN	AREA NOTES
ST-1	STEEL BEAM DETAILS
D1	TYP. FOUNDATION DETAILS
D3	TYP FLASHING DETAIL
D4	TYP. PORTAL FRAME DETAIL - PFH
D5	TYP FIREPLACE DETAILS
D5.1	TYP STAIR DETAILS
D5.2	TYP STAIR DETAILS
D5.3	TYP STAIR DETAILS
D9	TYP CORNICE DETAILS
D10	TRIM DETAILS

RESIDENTIAL STRUCTURES, P.C.
3410 N. Davidson St.
Charlotte, N.C. 28205
Seal For Structural Only

UPGRADED ELEVATION ORIGINAL CONTRACT ID#: XXXXX

WALKER GROVE
LOT# 14

WARREN
PLAN # 3300
HARNETT

Copyright True Homes L.L.C. All rights reserved. The duplication, reproduction, copying, sale, rental, licensing, or any other distribution or use of these drawings, any portion thereof, or the plans depicted herein is strictly prohibited.

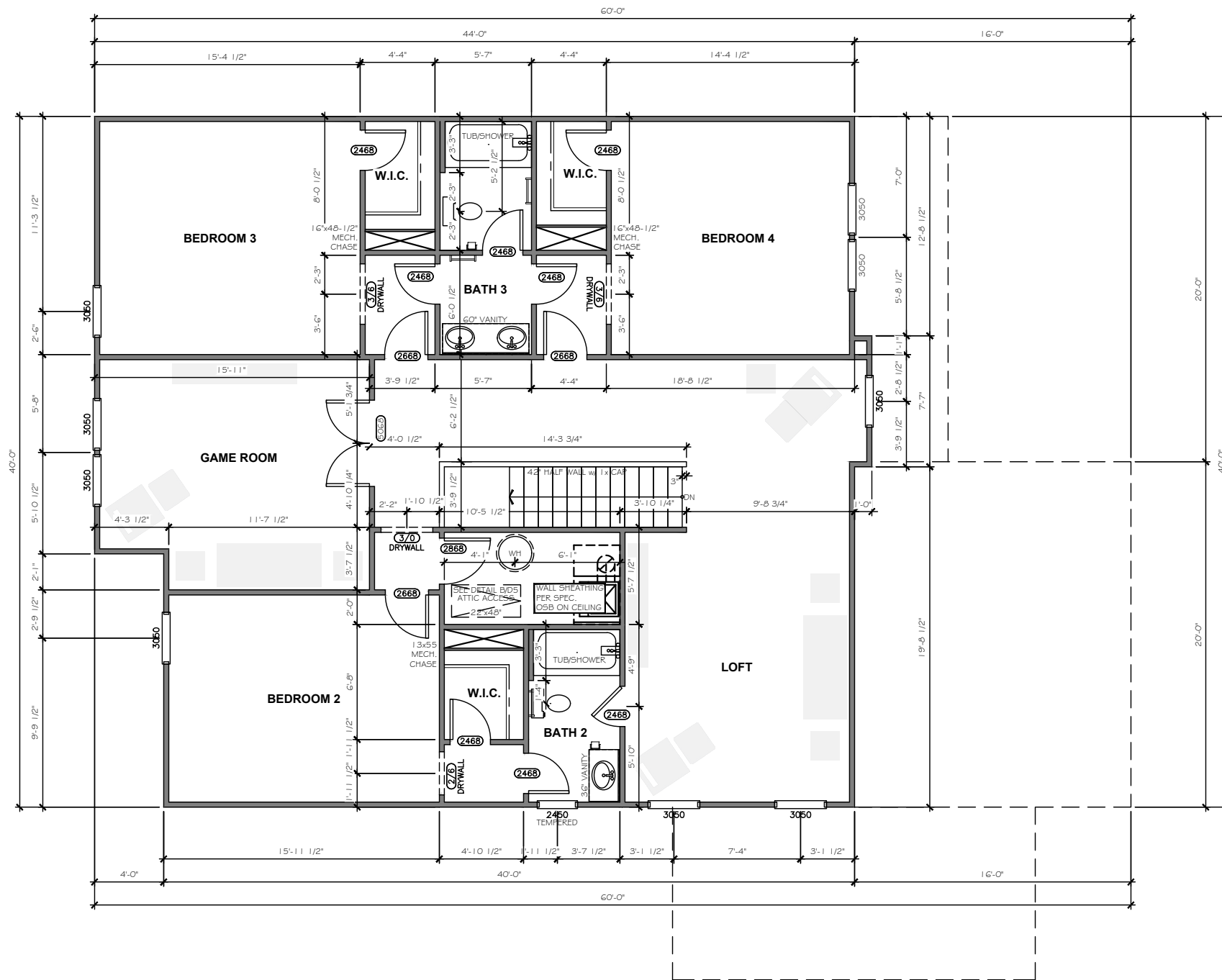
PREPARED BY:
NICK

DATE:
6-21-21

SCALE:
NOT TO SCALE

REVIEWED BY:
CHUCK

SHEET:
CS



SECOND FLOOR PLAN

WALKER GROVE

LOT# 14

WARREN
 PLAN # 3300

HARNETT

Copyright True Homes L.L.C. All rights reserved. The duplication, reproduction, copying, sale, rental, licensing, or any other distribution or use of these drawings, any portion thereof, or the plans depicted hereon is strictly prohibited.

PREPARED BY:

NICK

DATE:

6-21-21

SCALE:

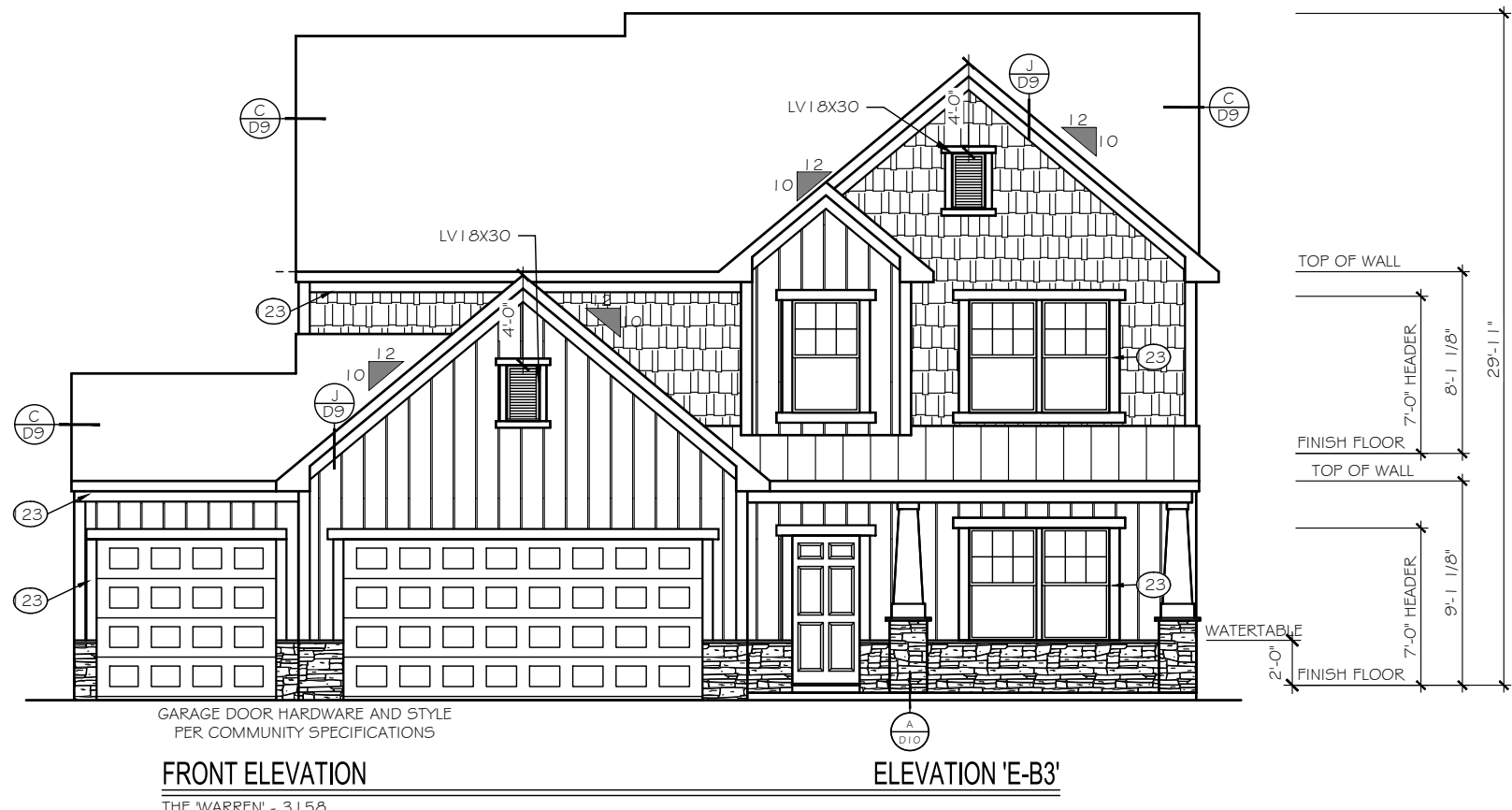
1/8" = 1'-0"

REVIEWED BY:

CHUCK

SHEET:

A2.2



FRONT ELEVATION
THE 'WARREN' - 3158

EXTERIOR MATERIAL LEGEND			
	B-N-B SIDING		STONE
	SHAKE SIDING		METAL ROOF
	HORIZONTAL SIDING		ROOF SHINGLE
	BRICK		SCALLOP SIDING

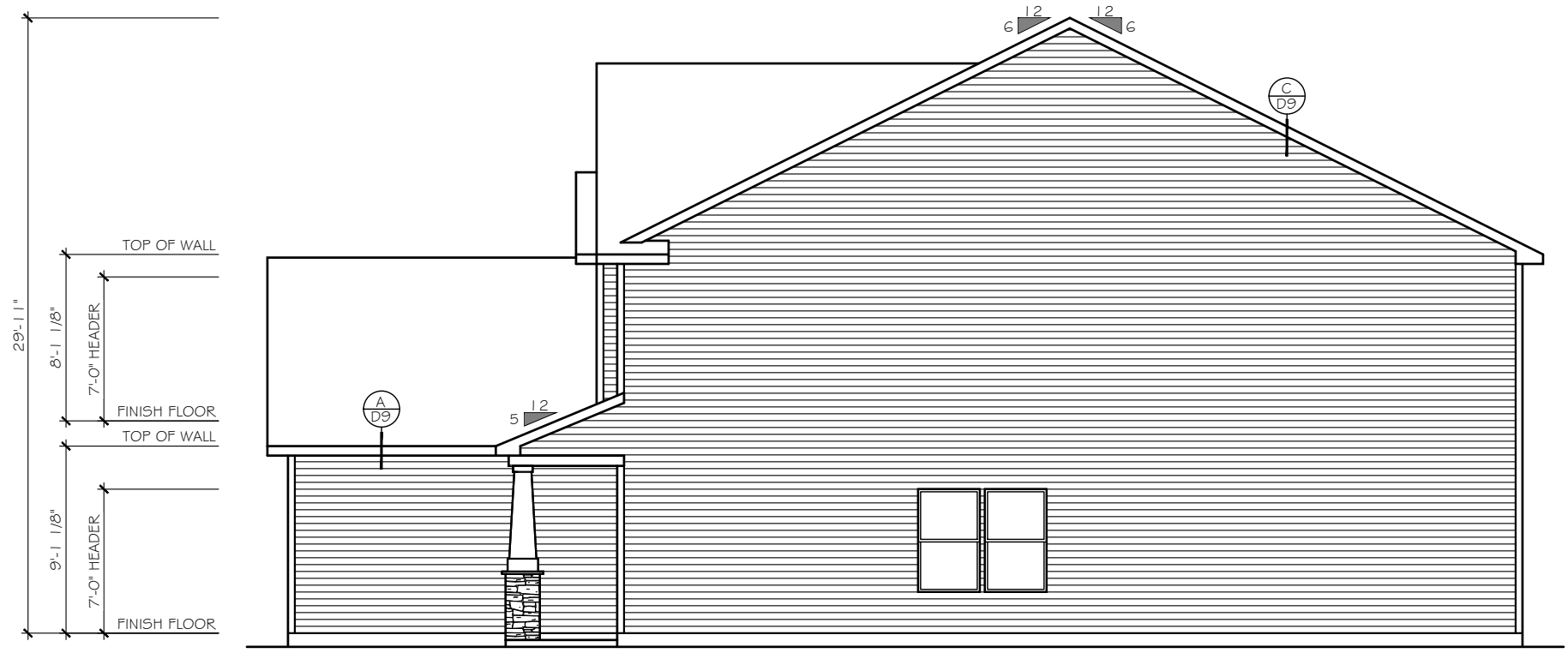
FOUNDATION REVEAL MAY VARY BASED ON SITE CONDITIONS, FINAL GRADING, & COMMUNITY SPECS.

KEY NOTES

- (15) FLASHING
- (17) VINYL SHUTTER
- (20) BRICKMOLD TRIM
- (21) 1X4 TRIM BOARD
- (23) 1X6 TRIM BOARD
- (25) 1X8 TRIM BOARD
- (28) 1X10 FRIEZE BOARD
- (3) 1-1/2" THICK STONE CAP
- (35) ROWLOCK SILL
- (37) BRICK JACK ARCH
- (39) SOLDIER COURSE
- (41) PRECAST KEYSTONE

1x4 TRIM WHERE SHOWN AT WINDOWS AND DOORS UNLESS OTHERWISE NOTED

SEE ROOF FRAMING PLANS FOR OVERHANG DIMENSIONS AND DORMER LOCATIONS



RIGHT ELEVATION

TrueHomes
IT'S ALL ABOUT U
2649 Breckridge Centre Dr.
Suite 104
Monroe, N.C. 28110
704-271-1191

WALKER GROVE
LOT# 14

WARREN
PLAN # 3300
HARNETT

Copyright True Homes L.L.C. All rights reserved. The duplication, reproduction, copying, sale, rental, licensing, or any other distribution or use of these drawings, any portion thereof, or the plans depicted hereon is strictly prohibited.
PREPARED BY:
NICK
DATE:
6-21-21
SCALE:
1/8" = 1'-0"
REVIEWED BY:
CHUCK

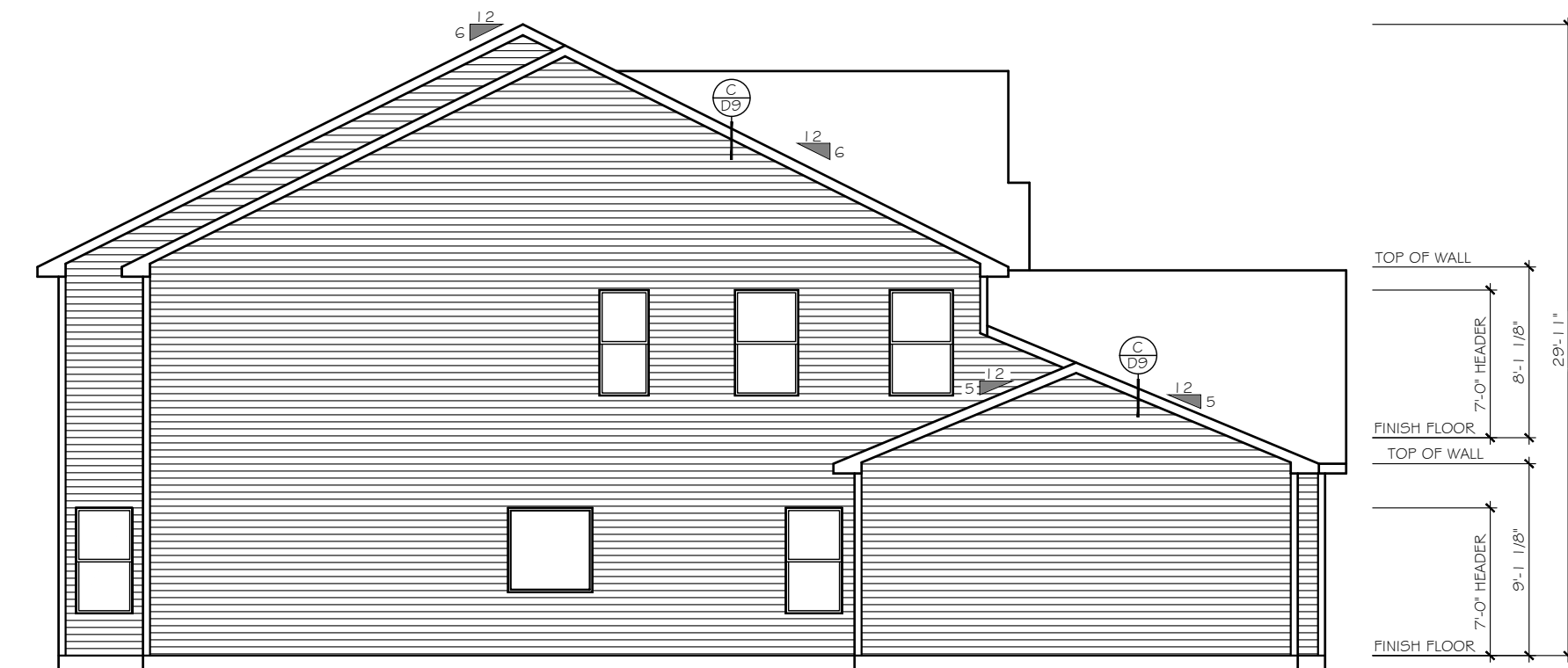
SHEET:
A3.1



REAR ELEVATION

EXTERIOR MATERIAL LEGEND			
	B-N-B SIDING		STONE
	SHAKE SIDING		METAL ROOF
	HORIZONTAL SIDING		ROOF SHINGLE
	BRICK		SCALLOP SIDING

KEY NOTES	
FOUNDATION REVEAL MAY VARY BASED ON SITE CONDITIONS, FINAL GRADING, & COMMUNITY SPECS.	
(15)	FLASHING
(17)	VINYL SHUTTER
(20)	BRICKMOLD TRIM
(21)	1X4 TRIM BOARD
(23)	1X6 TRIM BOARD
(25)	1X8 TRIM BOARD
(26)	1X10 FRIEZE BOARD
(31)	1 - 1/2" THICK STONE CAP
(35)	ROWLOCK SILL
(37)	BRICK JACK ARCH
(39)	SOLDIER COURSE
(41)	PRECAST KEYSTONE
1x4 TRIM WHERE SHOWN AT WINDOWS AND DOORS UNLESS OTHERWISE NOTED	
SEE ROOF FRAMING PLANS FOR OVERHANG DIMENSIONS AND DORMER LOCATIONS	



LEFT ELEVATION

TrueHomes
 IT'S ALL ABOUT U
 2649 Breckridge Centre Dr.
 Suite 104
 Monroe, N.C. 28110
 704-271-1191

WALKER GROVE
 LOT# 14

WARREN
 PLAN # 3300

HARNETT

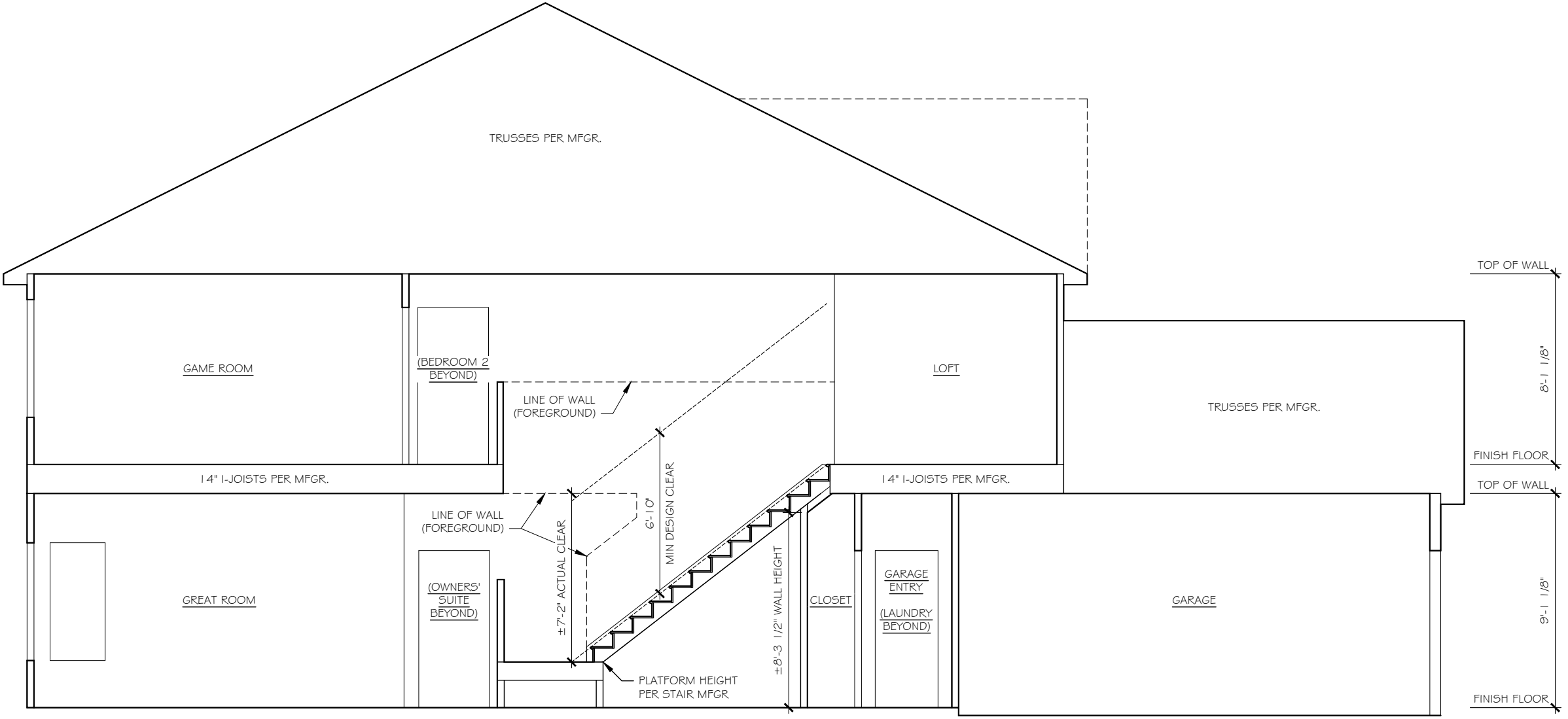
Copyright True Homes L.L.C. All rights reserved. The duplication, reproduction, copying, sale, rental, licensing, or any other distribution or use of these drawings, any portion thereof, or the plans depicted hereon is strictly prohibited.
 PREPARED BY:
 NICK
 DATE:
 6-21-21
 SCALE:
 1/8" = 1'-0"
 REVIEWED BY:
 CHUCK

SHEET:
A3.2

Copyright True Homes L.L.C. All rights reserved. The duplication, reproduction, copying, sale, rental, licensing, or any other distribution or use of these drawings, any portion thereof, or the plans depicted hereon is strictly prohibited.

PREPARED BY:
NICK
 DATE:
 6-21-21
 SCALE:
 AS SHOWN
 REVIEWED BY:
CHUCK

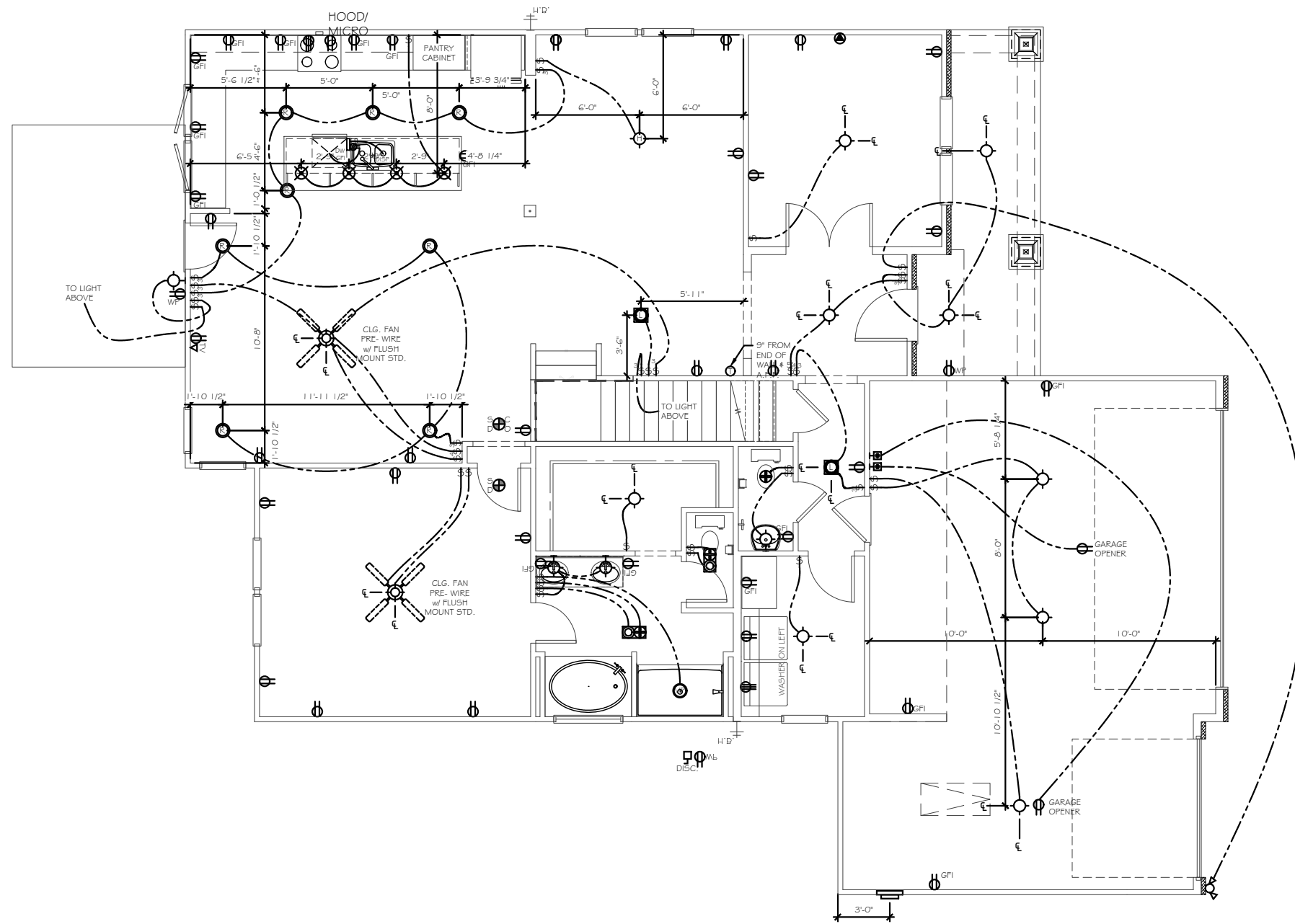
SHEET:
A4.1



STAIR SECTION - (9' / 8')

9' FIRST FLOOR
 14" FLOOR JOISTS
 8' SECOND FLOOR

ELECTRICAL LEGEND	
*	INDICATES ADDITIONAL OUTLET PER CLIENT
	OUTLET 110V (D=DEDICATED CIRCUIT)
	RECESSED OUTLET 110V
	OUTLET 220V (D=DEDICATED CIRCUIT)
	OUTLET 110V WATER PROOF
	OUTLET 110V GFI (D=DEDICATED CIRCUIT)
	FLOOR OUTLET 110V
	SWITCHED OUTLET
	DUAL USB OUTLET (3.1 AMP)
	EXT. RECESSED OUTLET & TV w/ COVER
	TV WALL JACK
	PHONE / DATA JACK
	THERMOSTAT
	SMOKE / CO DETECTOR
	SMOKE DETECTOR
	SWITCH
	3-WAY SWITCH
	4-WAY SWITCH
	DIMMER SWITCH
	PUSH BUTTON
	WALL MOUNT LIGHT FIXTURE
	CEILING LIGHT
	HANGING LIGHT
	JUNCTION BOX / PREWIRE
	RECESSED CAN LIGHT
	LED CAN LIGHT
	VAPOR PROOF CAN LIGHT
	MINI-CAN LIGHT
	UNDER CABINET LIGHT
	WALL SCONCE (STD 72" AFF UNO)
	FLOOD LIGHT - LOCATION TO BE VERIFIED IN FIELD WITH BUILDER/CLIENT
	PENDANT LIGHT (6'-7" AFF STD)
	EXHAUST FAN
	EXHAUST FAN / LIGHT
	KEYLESS ENTRY
	CEILING FAN PRE-WIRE OR FIXTURE AS NOTED
	ELECTRIC PANEL (METER LOCATION MAY VARY)
	DISCONNECT BOX
	DED. HOT TUB CIRCUIT (50amp, 240v GFI)
	EV CHARGING OUTLET (30amp, 220v GFI)



FIRST FLOOR ELECTRICAL PLAN

ELEC. NOTICE
 ROOMS WITH WAINSCOT PER SELECTIONS REQUIRE OUTLETS TO BE PLACED 1'-0" FROM CORNER OR CENTERED ON WALL AT STANDARD HEIGHT (U.N.O.).
 EXCLUDES HALLWAYS

ELECTRICAL TO BE PLACED PER CODE IN THE FIELD. SEE QUALITY STANDARDS FOR HEIGHTS
 PLACE GAS METER MAX 15' AWAY FROM ELECTRICAL METER IF APPLICABLE

TOTAL ELEC QTY		
Count	Name	Visibility
2	Ceiling Fan	w/ Flush Mount Std.
2	Detectors	Smoke/Carbon Monoxide Detector
4	Detectors	Smoke Detector
2	Jacks	Thermostat
2	Jacks	Phone Jack
2	Jacks	TV Jack
4	Lights	Pendant Light
1	Lights	Can Light VP
8	Lights	Can Light
1	Lights	Exhaust Fan
1	Lights	Hanging Light
18	Lights	Ceiling Light
2	Lights	Flood Light
7	Lights	Carnage Light
4	Lights	Exhaust Fan/Light
8	Lights	LED Ceiling Light
3	Receptacle	WP
59	Receptacle	110V
18	Receptacle	GFI
15	Switch	3-Way Switch
4	Switch	4-Way Switch
37	Switch	Single Pole Switch
2	Switch	Push Button

TrueHomes
 IT'S ALL ABOUT U
 2649 Breckridge Centre Dr.
 Suite 104
 Monroe, N.C. 28110
 704-271-1191

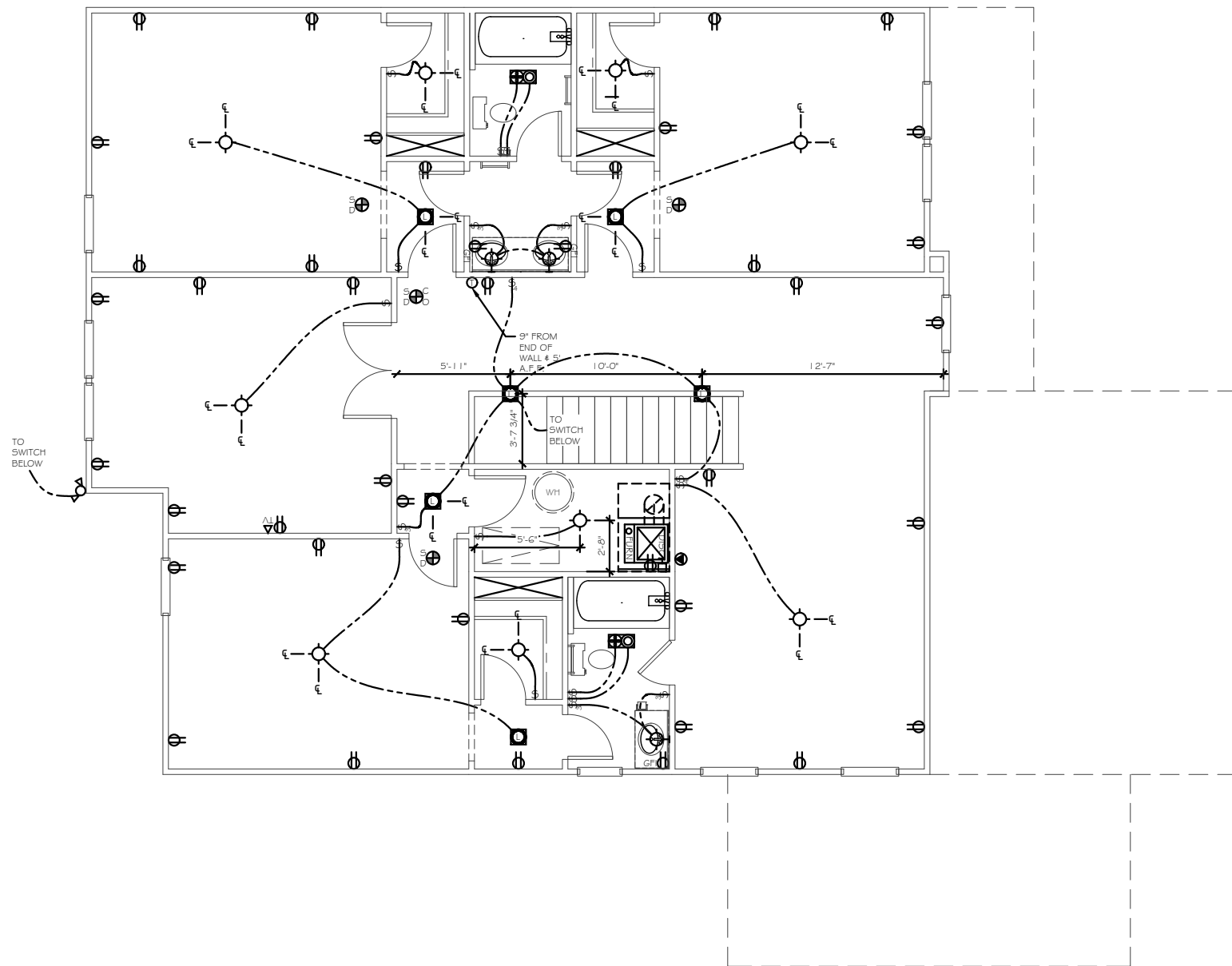
WALKER GROVE
 LOT# 14

WARREN
 PLAN # 3300
 HARNETT

Copyright True Homes L.L.C. All rights reserved. The duplication, reproduction, copying, sale, rental, licensing, or any other distribution or use of these drawings, any portion thereof, or the plans depicted hereon is strictly prohibited.
 PREPARED BY:
 NICK
 DATE:
 6-21-21
 SCALE:
 1/8" = 1'-0"
 REVIEWED BY:
 CHUCK

SHEET:
E1.1

ELECTRICAL LEGEND	
*	INDICATES ADDITIONAL OUTLET PER CLIENT
	OUTLET 110V (D=DEDICATED CIRCUIT)
	5' AFF RECESSED OUTLET 110V
	OUTLET 220V (D=DEDICATED CIRCUIT)
	OUTLET 110V WATER PROOF
	OUTLET 110V GFI (D=DEDICATED CIRCUIT)
	FLOOR OUTLET 110V
	SWITCHED OUTLET
	DUAL USB OUTLET (3.1 AMP)
	EXT. RECESSED OUTLET & TV w/ COVER
	TV WALL JACK
	PHONE / DATA JACK
	THERMOSTAT
	SMOKE / CO DETECTOR
	SMOKE DETECTOR
	SWITCH
	3-WAY SWITCH
	4-WAY SWITCH
	DIMMER SWITCH
	PUSH BUTTON
	WALL MOUNT LIGHT FIXTURE
	CEILING LIGHT
	HANGING LIGHT
	JUNCTION BOX / PREWIRE
	RECESSED CAN LIGHT
	LED CAN LIGHT
	VAPOR PROOF CAN LIGHT
	MINI-CAN LIGHT
	UNDER CABINET LIGHT
	WALL SCONCE (STD 72" AFF UNO)
	FLOOD LIGHT - LOCATION TO BE VERIFIED IN FIELD WITH BUILDER/CLIENT
	PENDANT LIGHT (6'-7" AFF STD)
	EXHAUST FAN
	EXHAUST FAN / LIGHT
	KEYLESS ENTRY
	CEILING FAN PRE-WIRE OR FIXTURE AS NOTED
	ELECTRIC PANEL (METER LOCATION MAY VARY)
	DISCONNECT BOX
	DED. HOT TUB CIRCUIT (50amp, 240v GFI)
	EV CHARGING OUTLET (30amp, 220v GFI)



SECOND FLOOR ELECTRICAL PLAN

ELEC. NOTICE
 ROOMS WITH WAINSCOT PER SELECTIONS REQUIRE OUTLETS TO BE PLACED 1'-0" FROM CORNER OR CENTERED ON WALL AT STANDARD HEIGHT (U.N.O.).
 EXCLUDES HALLWAYS

ELECTRICAL TO BE PLACED PER CODE IN THE FIELD. SEE QUALITY STANDARDS FOR HEIGHTS
 PLACE GAS METER MAX 15' AWAY FROM ELECTRICAL METER IF APPLICABLE

TrueHomes
 IT'S ALL ABOUT U
 2649 Breckridge Centre Dr.
 Suite 104
 Monroe, N.C. 28110
 704-271-1191

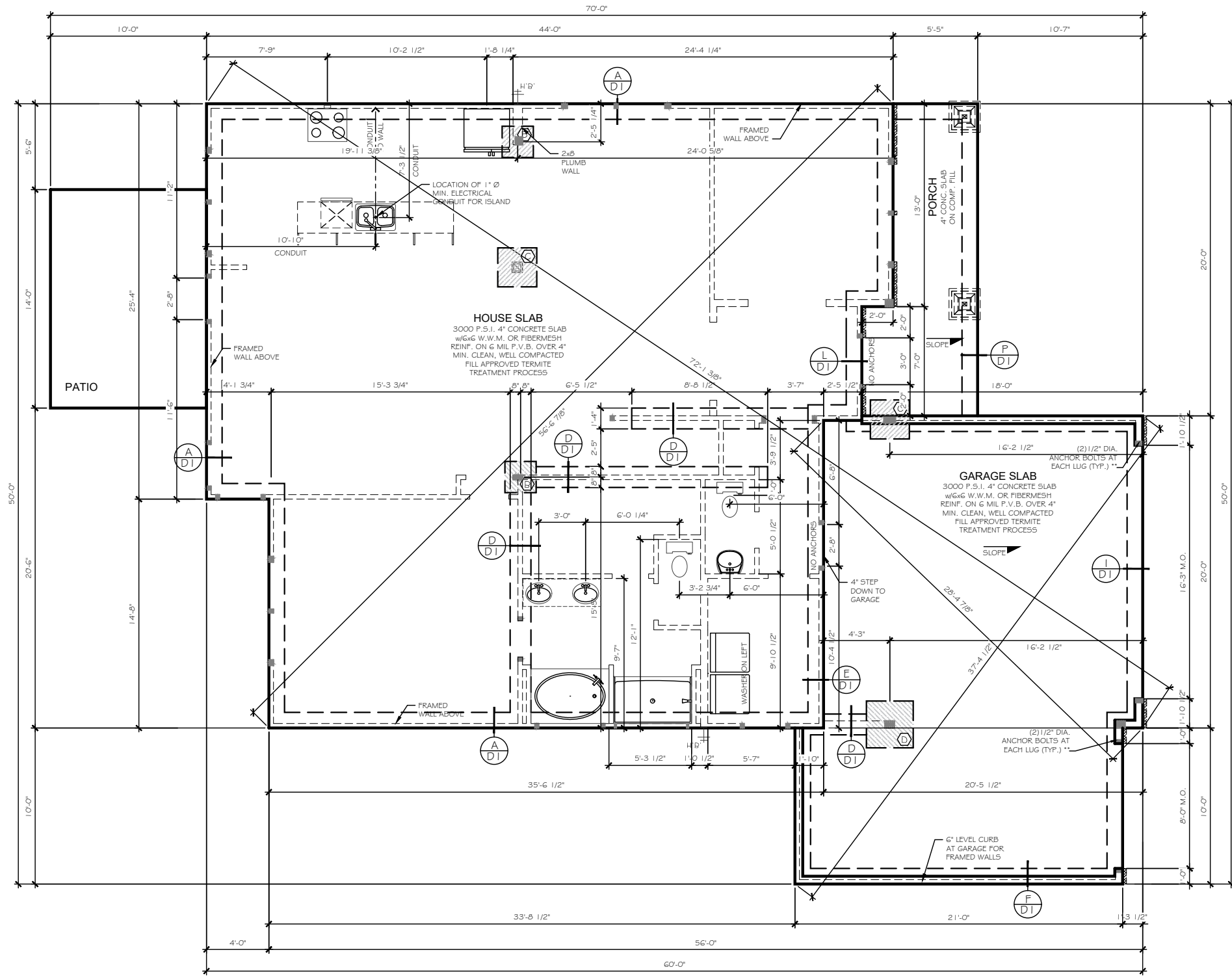
WALKER GROVE
 LOT# 14

WARREN
 PLAN # 3300

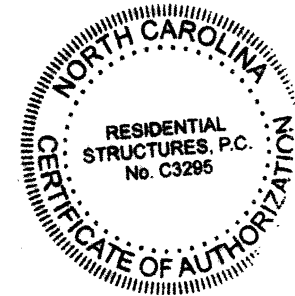
HARNETT

Copyright True Homes L.L.C. All rights reserved. The duplication, reproduction, copying, sale, rental, licensing, or any other distribution or use of these drawings, any portion thereof, or the plans depicted herein is strictly prohibited.
 PREPARED BY:
 NICK
 DATE:
 6-21-21
 SCALE:
 1/8" = 1'-0"
 REVIEWED BY:
 CHUCK

SHEET:
E1.2



MONO SLAB FOUNDATION PLAN



RESIDENTIAL STRUCTURES, P.C.
3410 N. Davidson St.
Charlotte, N.C. 28205
Seal For Structural Only

KEYNOTE	SIZE
⊕	18"x18"x8" w/3-#4's E.W.
⊕	24"x24"x12" w/4-#4's E.W.
⊕	30"x30"x12" w/4-#4's E.W.
⊕	36"x36"x12" w/4-#4's E.W.
⊕	48"x48"x12" w/6-#4's E.W.
⊕	36"x60"x12" w/4's @ 6" O.C. E.W.

LENGTH x WIDTH x DEPTH (REBAR REQ'D)
DEPTH TO INCLUDE SLAB THICKNESS

TrueHomes
IT'S ALL ABOUT U
2649 Breckridge Centre Dr.
Suite 104
Monroe, N.C. 28110
704-271-1191

WALKER GROVE
LOT# 14

WARREN
PLAN # 3300

HARNETT

Copyright True Homes L.L.C. All rights reserved. The duplication, reproduction, copying, sale, rental, licensing, or any other distribution or use of these drawings, any portion thereof, or the plans depicted hereon is strictly prohibited.

PREPARED BY:
NICK

DATE:
6-21-21

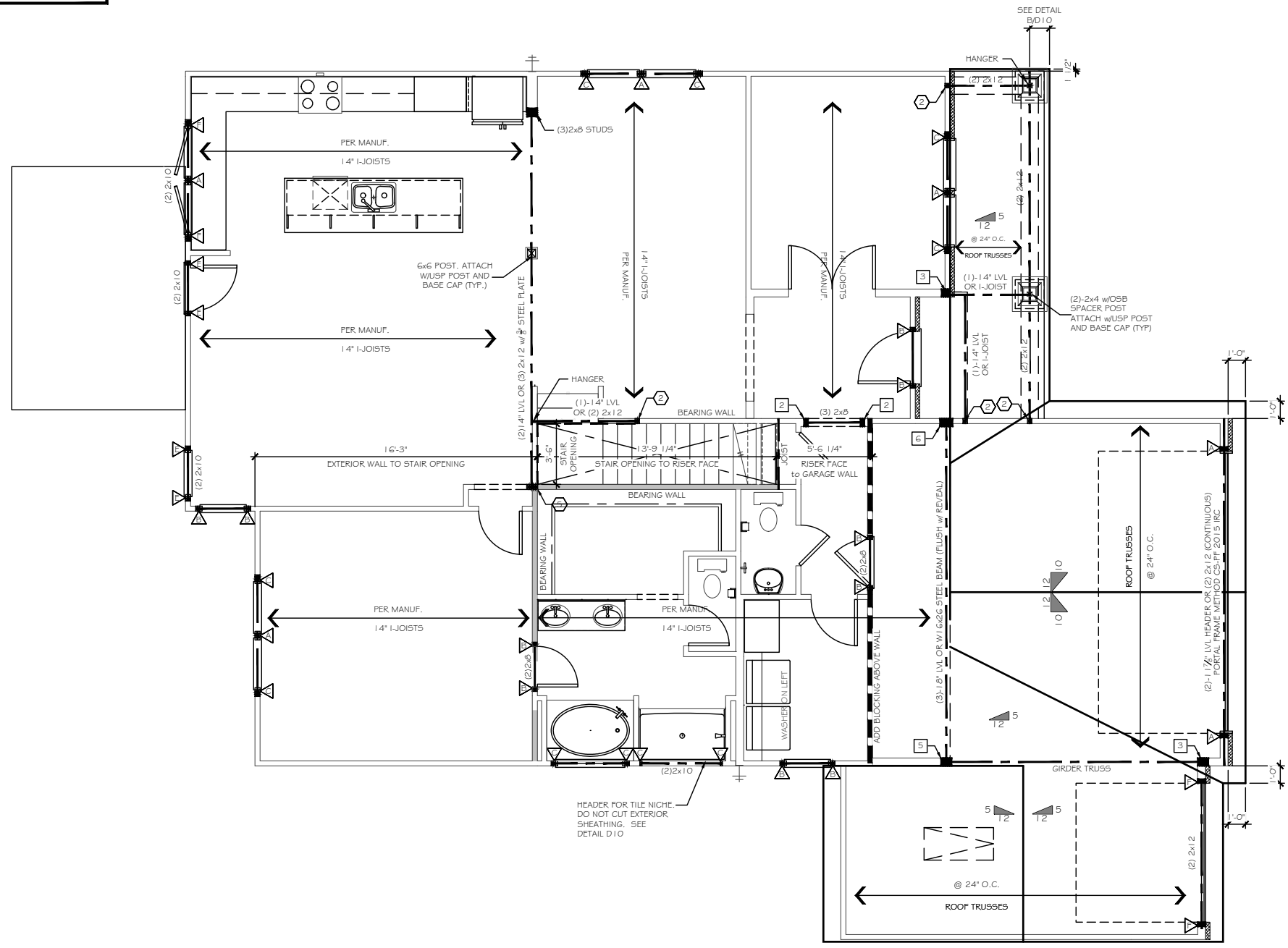
SCALE:
1/8" = 1'-0"

REVIEWED BY:
CHUCK

SHEET:
S1

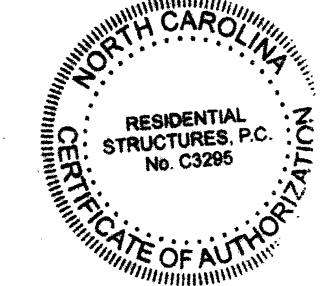
SEE COVER PAGE FOR
ROUGH OPENING DIMENSIONS

KING / JACK STUD SCHEDULE		POST SCHEDULE	
		2x4 STUDS	2x6 STUDS
△	(2) JACKS		
△	(1) JACK & (1) KING	EX: (2) 2x4	EX: (2) 2x6
△	(1) JACK & (2) KINGS	NUMBER INSIDE CALLOUT INDICATES TOTAL NUMBER OF STUDS.	
△	(1) JACK & (3) KINGS		
△	(2) JACKS & (1) KING	4x4 POST	6x6 POST
△	(2) JACKS & (2) KINGS		
△	(2) JACKS & (3) KINGS		
△	(3) JACKS & (3) KINGS	LETTER 'P' INSIDE CALLOUT INDICATES A SOLID 4x4 or 6x6 POST	
△	(4) JACKS & (4) KINGS		



FLOOR FRAMING PLAN

CODE REFERENCE PER STATE		
NORTH CAROLINA :2018 NCRS (TABLE RG02.10.1)		
SOUTH CAROLINA :2018 IRC (TABLE RG02.10.4)		
STRUCTURAL LEGEND		
	BEARING WALL	
	METHOD GB OF LOCAL CODE	
	BEARING WALL W/ METHOD GB OF LOCAL CODE	
	CENTER OF BEAM / JOIST / GIRDER TRUSS	
	METHOD CS-WSP (UNO)	
	INTERIOR SHEAR WALL PER HIGH WIND NOTE 1.C	
	USP LSTA24 HOLDDOWN OR EQ.	
	USP STAD14 HOLDDOWN OR EQ.	
	USP DTB-TZ HOLDDOWN OR EQ.	
	USP PHD8 HOLDDOWN OR EQ.	
	USP RS-150 COIL STRAP HOLDDOWN (36\"/>	
WALL BRACING NOTE		
<ul style="list-style-type: none"> 1.5 MPH WIND ZONE - EXP. B 8, 9 OR 10 FT. WALL HEIGHT ENGINEERED WALL BRACING DESIGN MEETS OR EXCEEDS THE INTENT OF THE: 2018 NCRS - NORTH CAROLINA 2018 IRC - SOUTH CAROLINA 		
METHOD	MATERIAL	FASTENER SPACING
CS-WSP	MIN. 3x2 OSB	6\"/>
GB	MIN. 1/2\"/>	7\"/>
ALL WOOD STRUCTURAL PANEL BRACING SHALL BE ATTACHED TO FRAMING OR BLOCKING, EXCEPT GB BRACING. HORIZONTAL JOINTS SHALL NOT BE REQD TO BE BLOCKED WHEN JOINTS ARE FINISHED.		
ALTERNATE SILL PLATE ANCHORAGE I/O STRAPS		
1/2\"/>		
SEE TRUSS HEEL BLOCKING/SHEATHING REQUIREMENTS SHEET D3		



RESIDENTIAL STRUCTURES, P.C.
3410 N. Davidson St.
Charlotte, N.C. 28205
Seal For Structural Only

TrueHomes
IT'S ALL ABOUT U
2649 Breckridge Centre Dr.
Suite 104
Monroe, N.C. 28110
704-271-1191

WALKER GROVE
LOT# 14

WARREN
PLAN # 3300

HARNETT

Copyright True Homes L.L.C. All rights reserved. The duplication, reproduction, copying, sale, rental, licensing, or any other distribution or use of these drawings, any portion thereof, or the plans depicted hereon is strictly prohibited.

PREPARED BY:
NICK

DATE:
6-21-21

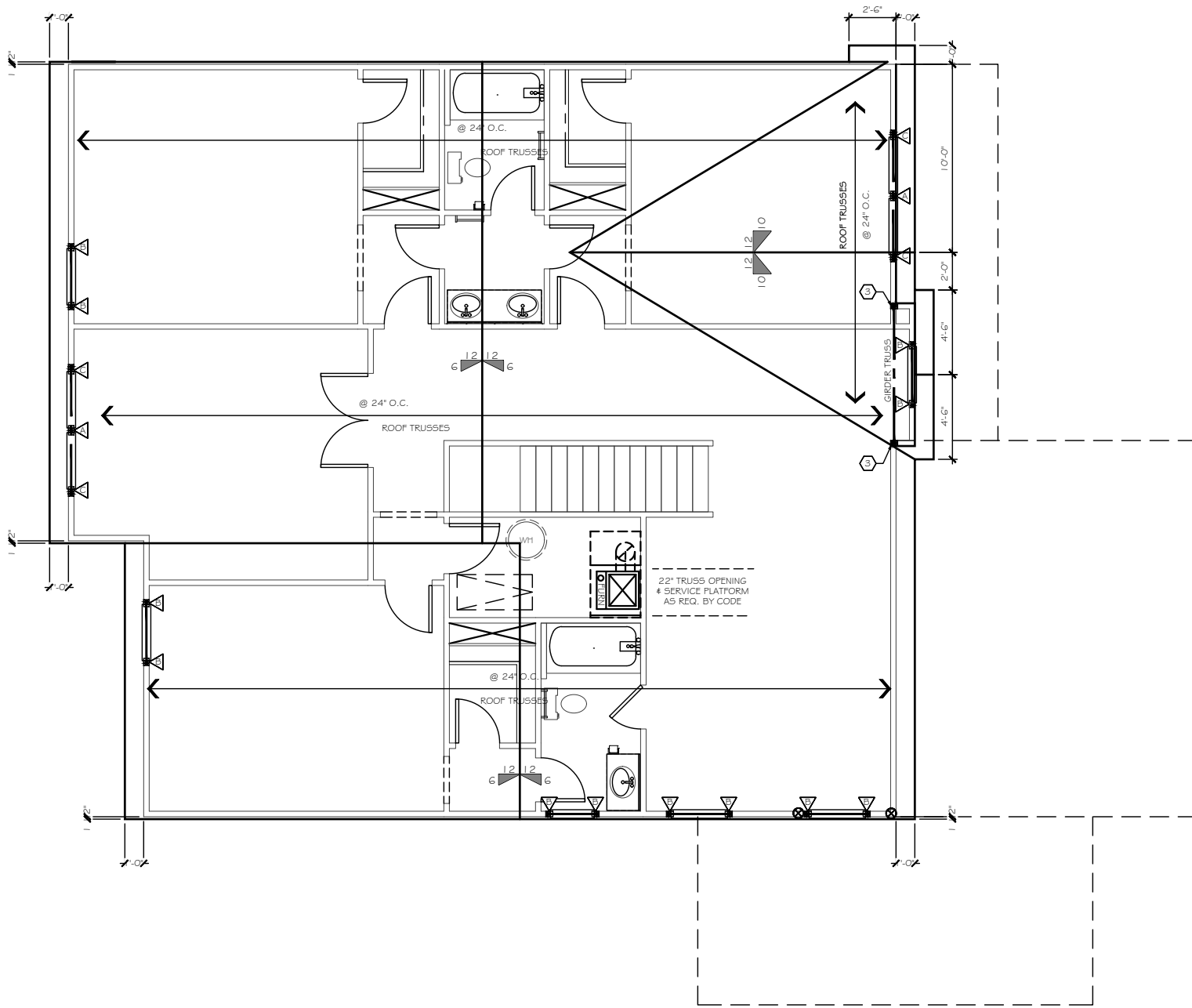
SCALE:
1/8" = 1'-0"

REVIEWED BY:
CHUCK

SHEET:
S2.1

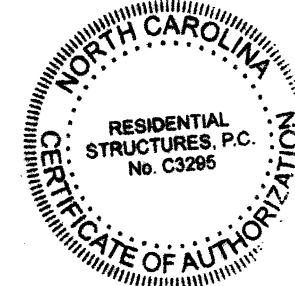
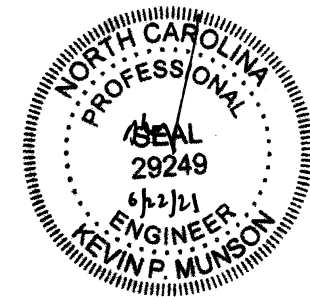
SEE COVER PAGE FOR
ROUGH OPENING DIMENSIONS

KING / JACK STUD SCHEDULE		POST SCHEDULE	
		2x4 STUDS	2x6 STUDS
△	(2) JACKS		
△	(1) JACK # (1) KING	EX: (2) 2X4	EX: (2) 2X6
△	(1) JACK # (2) KINGS	NUMBER INSIDE CALLOUT INDICATES TOTAL NUMBER OF STUDS.	
△	(1) JACK # (3) KINGS		
△	(2) JACKS # (1) KING	4X4 POST	6X6 POST
△	(2) JACKS # (2) KINGS		
△	(2) JACKS # (3) KINGS		
△	(3) JACKS # (3) KINGS	LETTER 'P' INSIDE CALLOUT INDICATES A SOLID 4x4 or 6x6 POST	
△	(4) JACKS # (4) KINGS		



ROOF FRAMING PLAN

CODE REFERENCE PER STATE		
NORTH CAROLINA :2018 NCRRC (TABLE R602.10.1)		
SOUTH CAROLINA :2018 IRC (TABLE R602.10.4)		
STRUCTURAL LEGEND		
	BEARING WALL	
	METHOD GB OF LOCAL CODE	
	BEARING WALL W/ METHOD GB OF LOCAL CODE	
	CENTER OF BEAM / JOIST / GIRDER TRUSS	
	METHOD CS-WSP (LNG)	
	INTERIOR SHEAR WALL PER HIGH WIND NOTE I.C	
	USP LSTA24 HOLDDOWN OR EQ.	
	USP STAD14 HOLDDOWN OR EQ.	
	USP DTB-TZ HOLDDOWN OR EQ.	
	USP PHDS HOLDDOWN OR EQ.	
	USP RS-150 COIL STRAP HOLDDOWN (36" LONG - 12" MIN. END LAP)	
WALL BRACING NOTE		
<ul style="list-style-type: none"> 115 MPH WIND ZONE - EXF. B 8, 9 OR 10 FT. WALL HEIGHT ENGINEERED WALL BRACING DESIGN MEETS OR EXCEEDS THE INTENT OF THE: 2018 NCRRC - NORTH CAROLINA 2018 IRC - SOUTH CAROLINA 		
METHOD	MATERIAL	PASTER SPACING
CS-WSP	MIN. 3/8" OSB	6" EDGES, 12" FIELD
GB	MIN. 1/2" GYP	7" EDGES, 7" FIELD
ALL WOOD STRUCTURAL PANEL BRACING SHALL BE ATTACHED TO FRAMING OR BLOCKING, EXCEPT GB BRACING. HORIZONTAL JOINTS SHALL NOT BE REQ'D TO BE BLOCKED WHEN JOINTS ARE FINISHED.		
ALTERNATE SILL PLATE ANCHORAGE I/O STRAPS		
1/2" ANCHOR BOLTS @ 6'-0" O.C. w/ 7" EMBEDMENT INTO MASONRY or EQUIVALENT MECHANICAL FASTENER - MAX. 12" FROM WALL CORNERS		
SEE TRUSS HEEL BLOCKING/SHEATHING REQUIREMENTS SHEET D3		



RESIDENTIAL STRUCTURES, P.C.
3410 N. Davidson St.
Charlotte, N.C. 28205
Seal For Structural Only

TrueHomes
IT'S ALL ABOUT U
2649 Breckridge Centre Dr.
Suite 104
Monroe, N.C. 28110
704-271-1191

WALKER GROVE
LOT# 14

WARREN
PLAN # 3300

HARNETT

Copyright True Homes L.L.C. All rights reserved. The duplication, reproduction, copying, sale, rental, licensing, or any other distribution or use of these drawings, any portion thereof, or the plans depicted hereon is strictly prohibited.

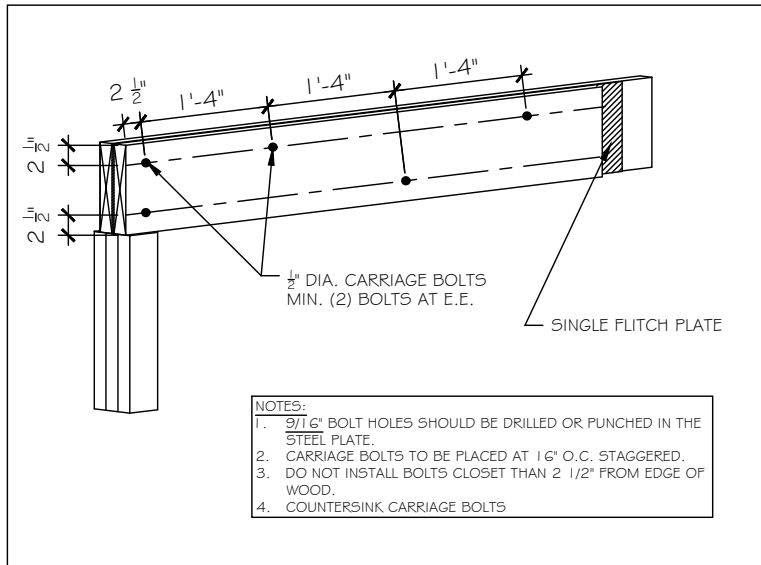
PREPARED BY:
NICK

DATE:
6-21-21

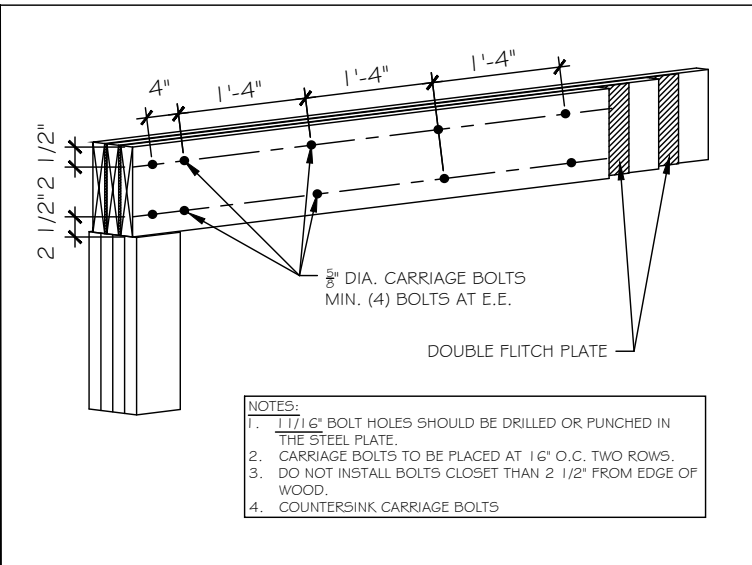
SCALE:
1/8" = 1'-0"

REVIEWED BY:
CHUCK

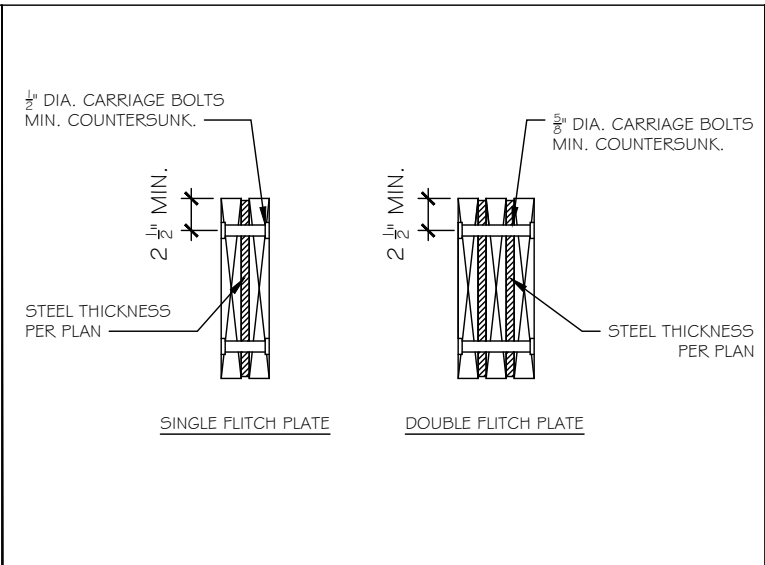
SHEET:
S3.1



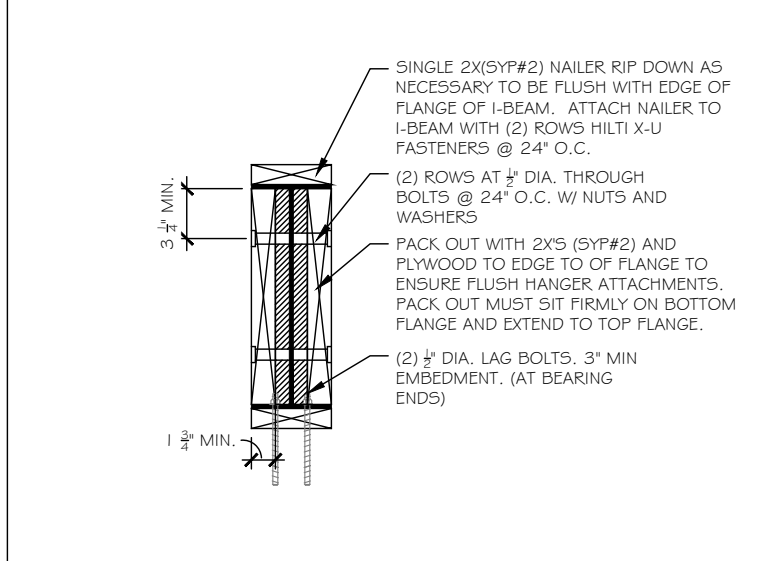
STL-1 SINGLE FLITCH BEAM



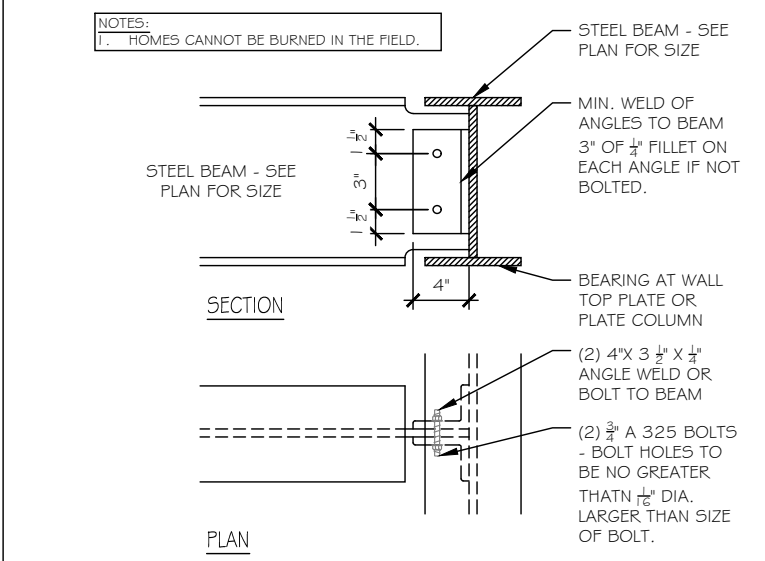
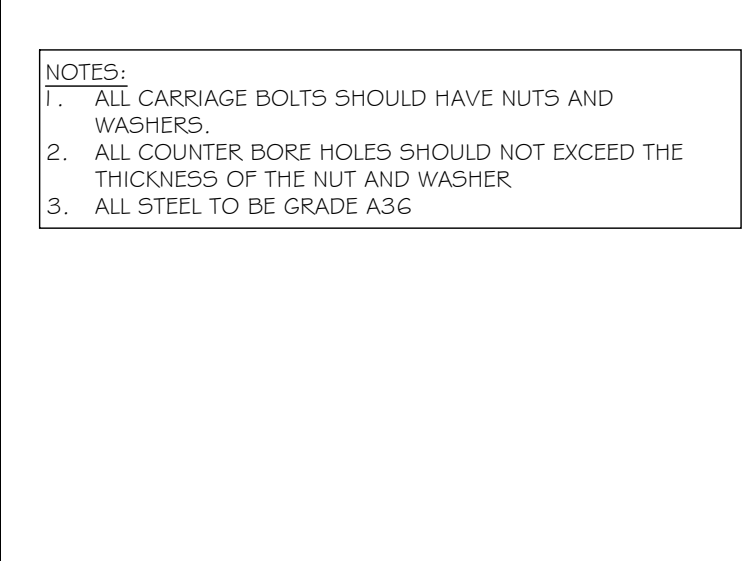
STL-2 DOUBLE FLITCH BEAM



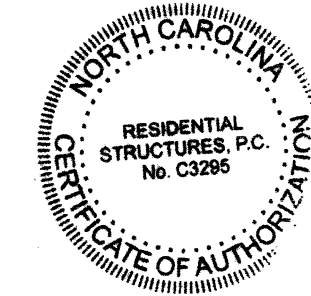
STL-3 FLITCH BEAM



STL-4 I BEAM PACK OUT DETAIL



STL-5 TYPICAL BOLTED STEEL BEAM CONNECTION DETAIL



RESIDENTIAL STRUCTURES, P.C.
 3410 N. Davidson St.
 Charlotte, N.C. 28205
 Seal For Structural Only

TrueHomes
 IT'S ALL ABOUT U
 2649 Breckridge Centre Dr.
 Suite 104
 Monroe, N.C. 28110
 704-271-1191

WALKER GROVE
 LOT# 14

WARREN
 PLAN # 3300

HARNETT

Copyright True Homes L.L.C. All rights reserved. The duplication, reproduction, copying, sale, rental, licensing, or any other distribution or use of these drawings, any portion thereof, or the plans depicted hereon is strictly prohibited.

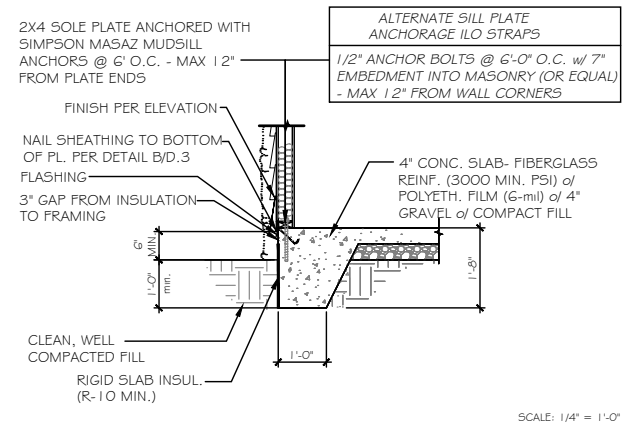
PREPARED BY:
 NICK

DATE:
 6-21-21

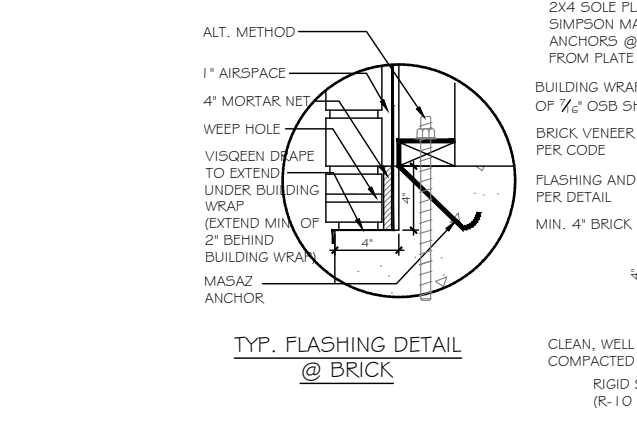
SCALE:
 1/4" = 1'-0"

REVIEWED BY:
 CHUCK

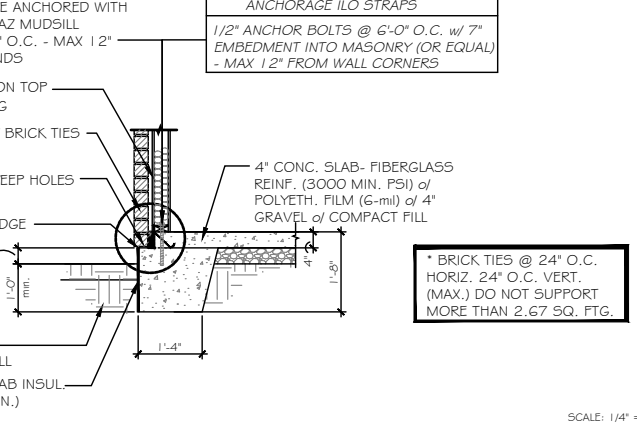
SHEET:
 ST-1



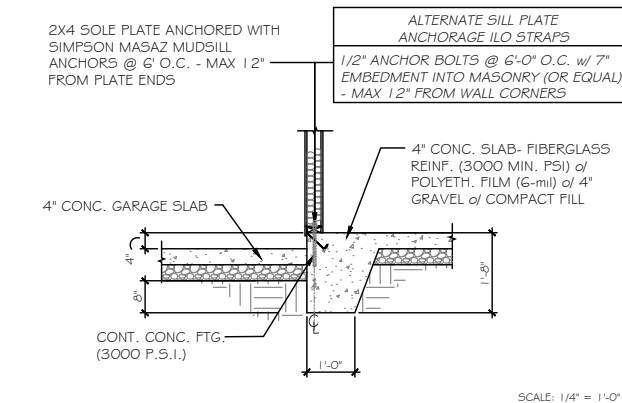
A TYP. SLAB HOUSE TO GRADE



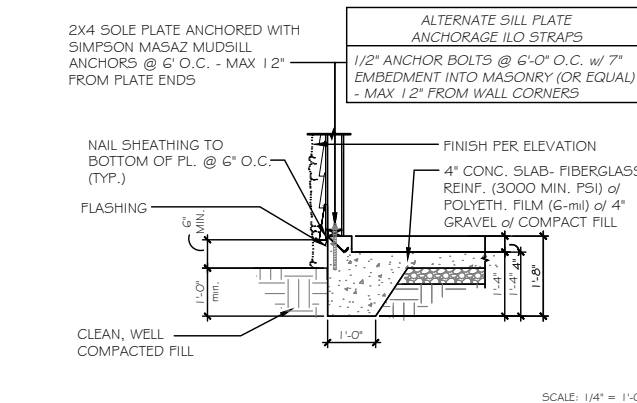
B TYP. SLAB HOUSE TO GRADE w/ BRICK



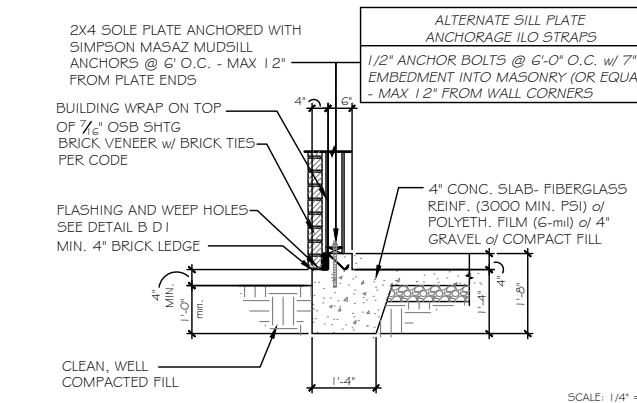
D TYP. THICKENED SLAB DETAIL



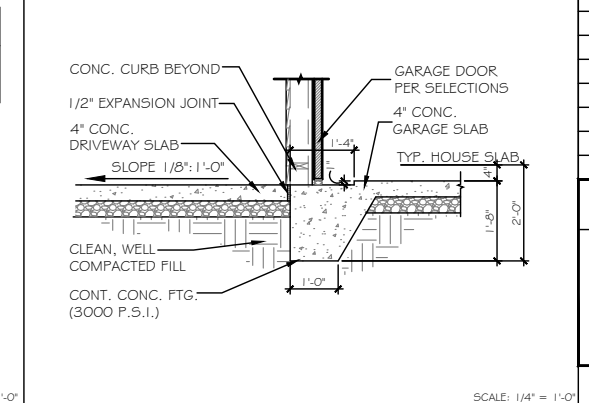
E TYP. SLAB - HOUSE TO GARAGE



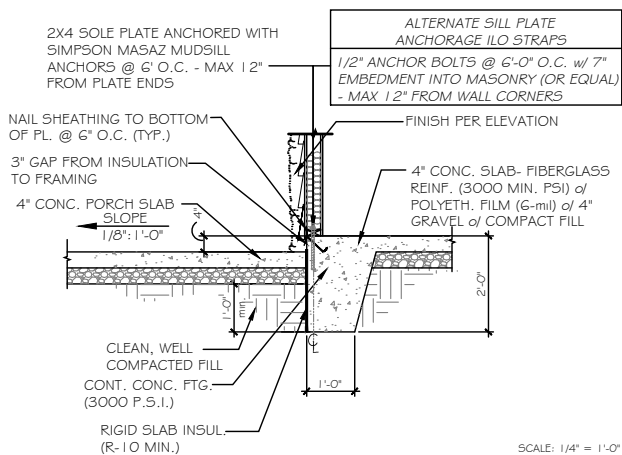
F TYP. SLAB - GARAGE TO GRADE



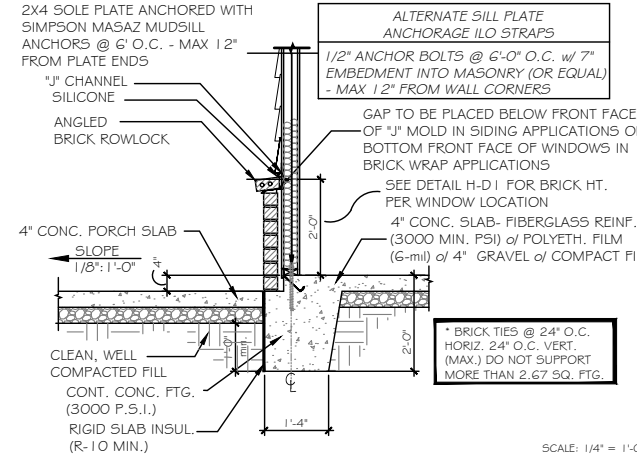
G TYP. SLAB - GARAGE TO GRADE w/ BRICK



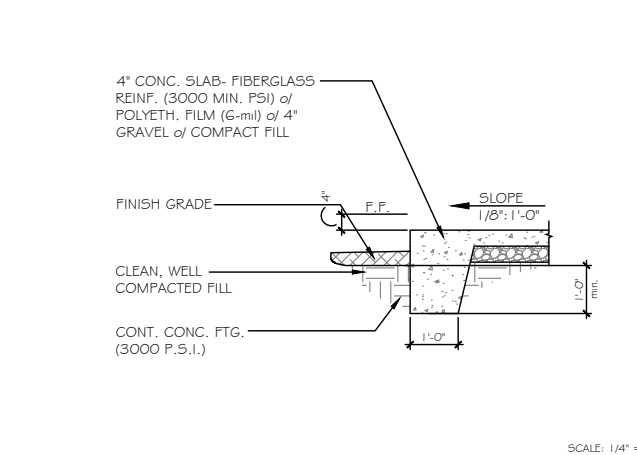
I TYP. GARAGE TO DRIVE



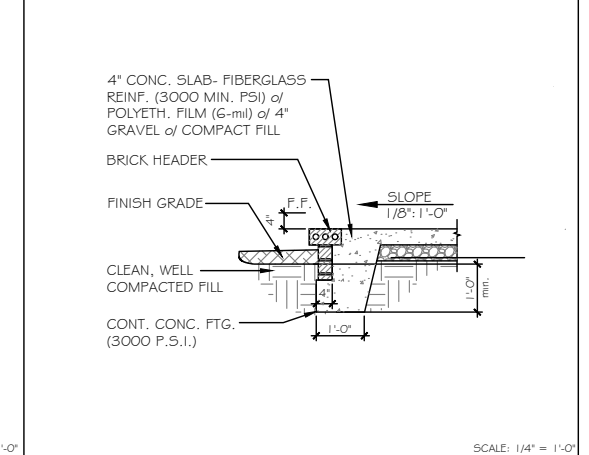
L TYP. SLAB - HOUSE TO PORCH



N TYP. SLAB - WAINSCOTING BRICK DETAIL @ PORCH



P TYP. PORCH END DETAIL



Q PORCH END DETAIL w/ BRICK

MONOSLAB RALEIGH/TRIAD

NOTES:
 CORROSION RESISTANT CORRUGATED METAL TIES - 22 GAUGE, 7/8" WIDE, 6" LONG. PLACE MAX. HORIZONTAL SPACING 24" HORZ., NOT TO SUPPORT GREATER THAN 2.67 SQ. FT. WALL AREA

WEEP HOLES TO BE PLACED AT EVERY OTHER HEAD JOINT ON THE BOTTOM COURSE OF BRICK.

VISQUEEN DRAPE TO EXTEND UNDER BUILDING WRAP (EXTEND MIN. OF 2" BEHIND BUILDING WRAP)

PROVIDE WEEP HOLES PER CODES

BRICK TIES @ 24" O.C. HORIZ. 24" O.C. VERT. (MAX.) DO NOT SUPPORT MORE THAN 2.67 SQ. FTG.

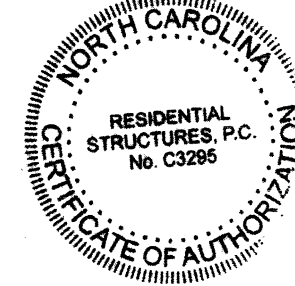
BRICK & CMU TO BE INTEGRALLY BONDED PER CODE

REF. NO.	USP
ABA44Z	PA44E-TZ
BC52-2/4	BC4010-TZ
CS-1G	RS150
DTT2Z-5D52.5	DTB-TZ
H2.5A	RT7
H2.5A	RT7A
LS-30	MP3
LSTA24	LSTA24
MASAZ	FA3-TZ
STHD14	STAD14
HHUS410	THD410
A24	TDL5
A21	JA1
LSU26	L5SH15-TZ
EPB44	EPB4408
BC6	C66
BC4	C44
LUS28-2	JUS28-2
LUS26	JUS26
ABA66	PA66E-TZ
C522	RS-22R
HDU4-5D5	PHD4A
EPB66T	EPB6608
HDQ8-5D3Z	PHD8
LSTA36	LSTA36
A34	MP34

COASTAL & CHARLESTON ONLY
ALTERNATE HOLDDOWN

MITEK PFM1461640 ANCHOR SCREWS w/ 1/4"x3"x3" @ 4' O.C.

MITEK HTT45 HOLDDOWN OR EQ.



RESIDENTIAL STRUCTURES, P.C.
 3410 N. Davidson St.
 Charlotte, N.C. 28205
 Seal For Structural Only

PREPARED BY:
NICK

DATE:
6-21-21

SCALE:
1/4" = 1'-0"

REVIEWED BY:
CHUCK

SHEET:
D1

TrueHomes
 IT'S ALL ABOUT YOU
 2649 Breckridge Centre Dr.
 Suite 104
 Monroe, N.C. 28110
 704-271-1191

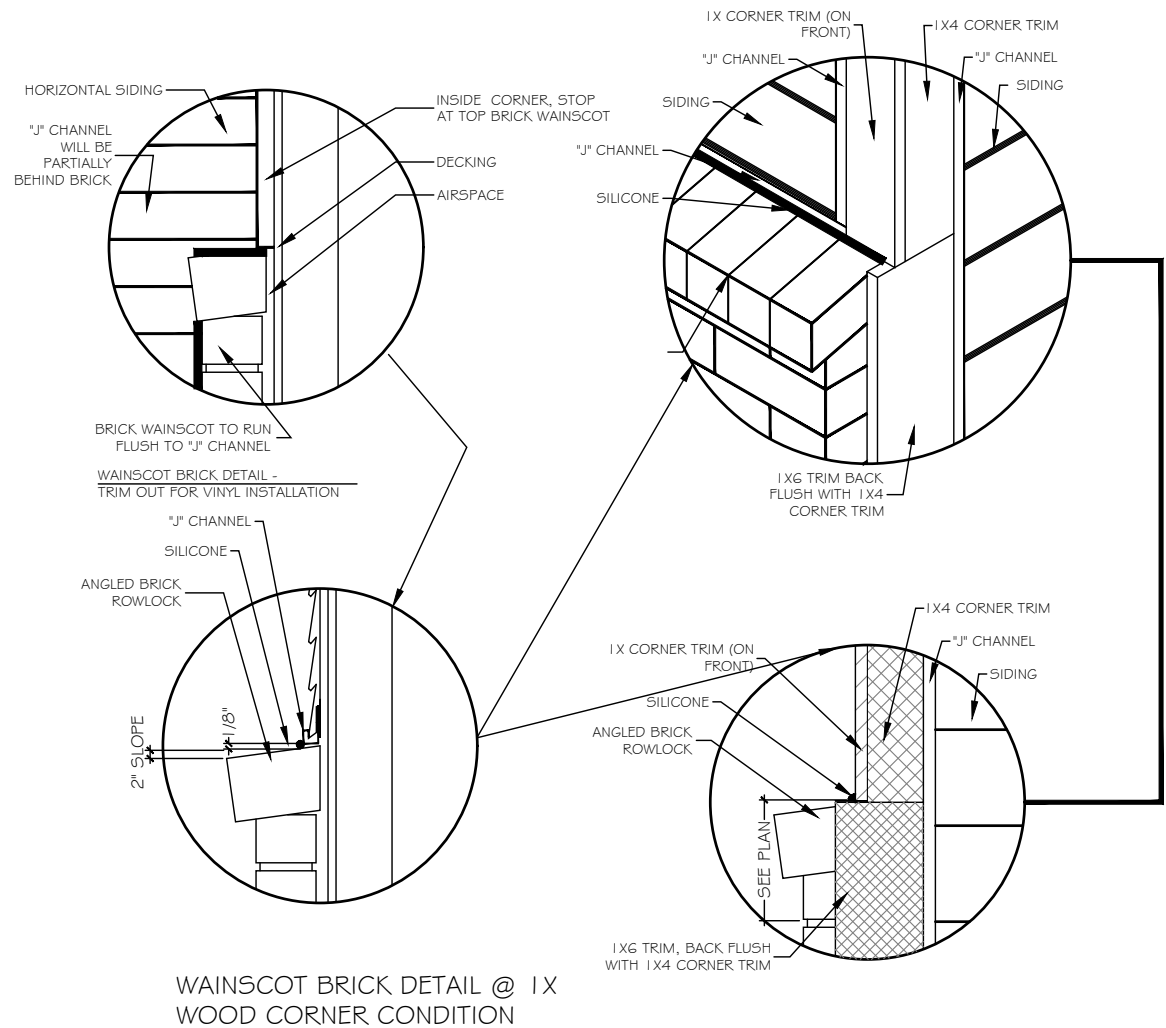
WALKER GROVE

LOT# 14

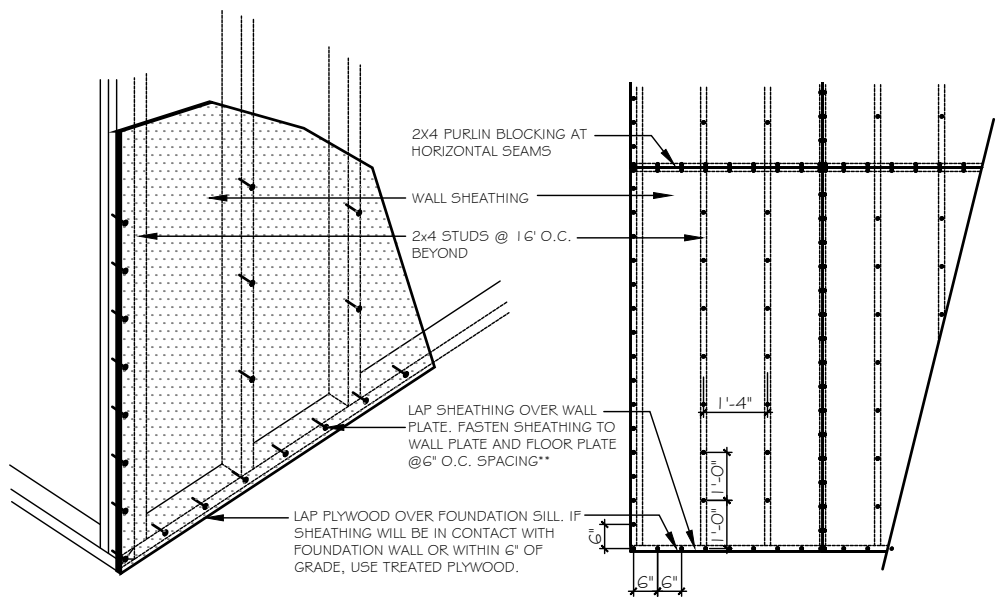
WARREN
 PLAN # 3300

HARNETT

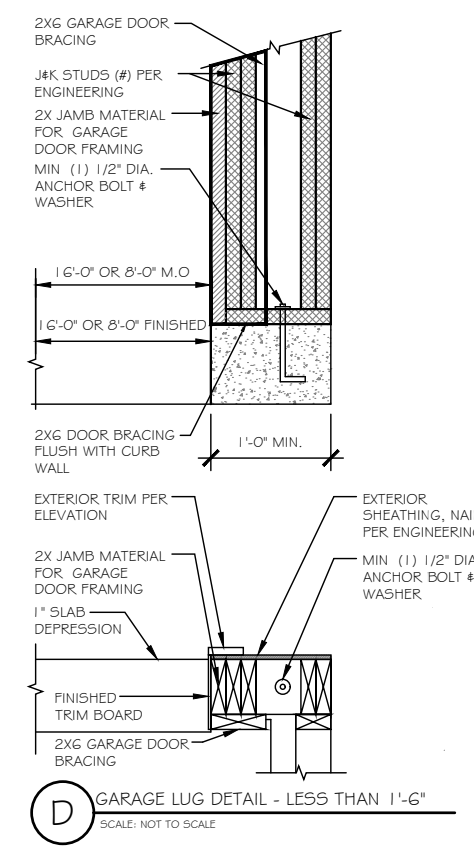
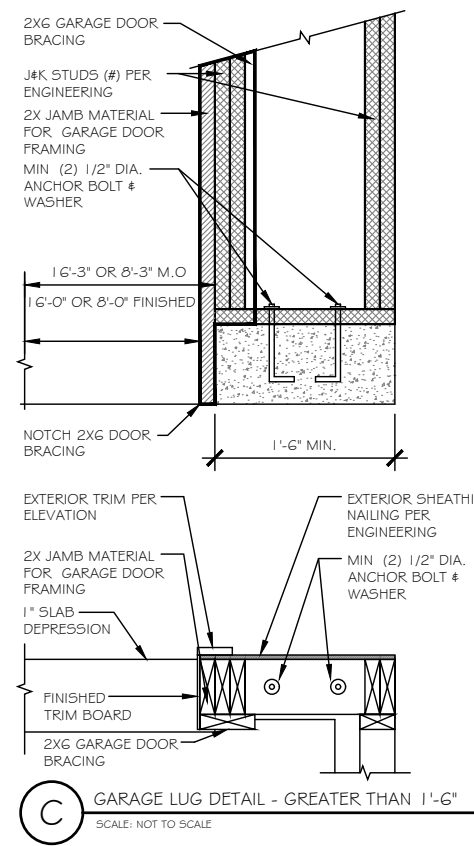
Copyright True Homes L.L.C. All rights reserved. The duplication, reproduction, sale, rental, licensing, or any other distribution or use of these drawings, any portion thereof, or the plans depicted hereon is strictly prohibited.



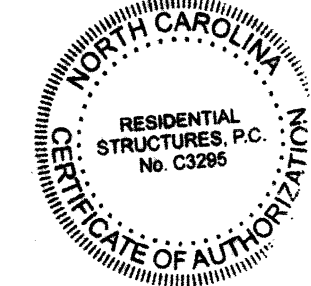
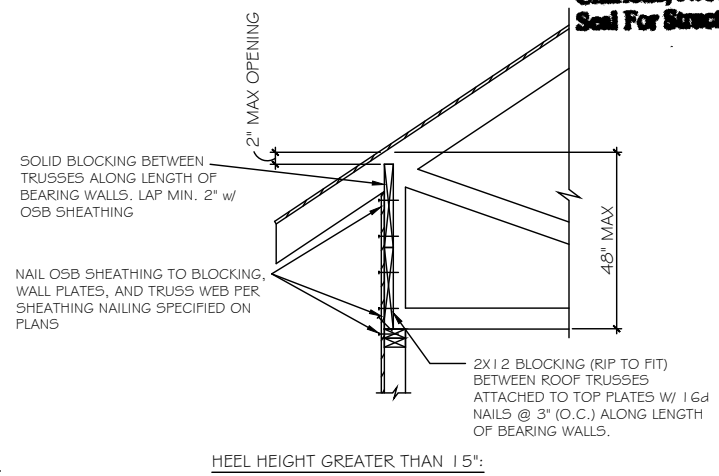
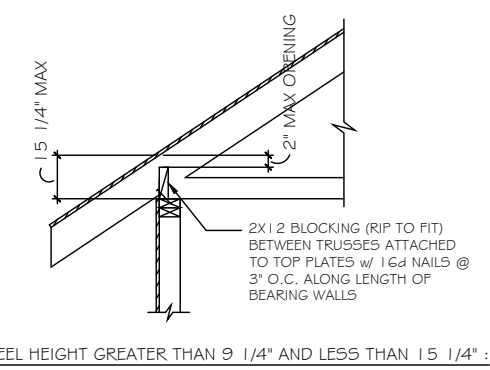
A FLASHING @ WAINSCOTING BRICK DETAIL
SCALE: 1/4" = 1'-0"



B TYP. NAILING PATTERN
SCALE: 1/4" = 1'-0"



E TRUSS BLOCKING REQUIREMENTS
N.T.S.



RESIDENTIAL STRUCTURES, P.C.
3410 N. Davidson St.
Charlotte, N.C. 28209
Seal For Structural Only

TrueHomes
IT'S ALL ABOUT U
2649 Breckridge Centre Dr.
Suite 104
Monroe, N.C. 28110
704-271-1191

WALKER GROVE
LOT# 14

WARREN
PLAN # 3300

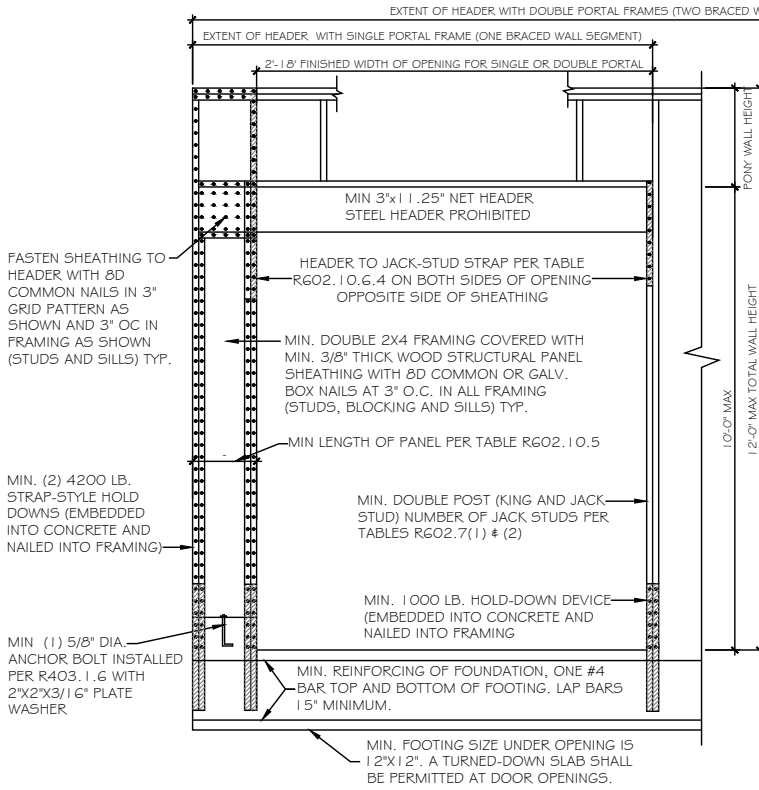
HARNETT

Copyright True Homes L.L.C. All rights reserved. The duplication, reproduction, copying, sale, rental, licensing, or any other distribution or use of these drawings, any portion thereof, or the plans depicted herein is strictly prohibited.
PREPARED BY: **NICK**
DATE: 6-21-21
SCALE: AS SHOWN
REVIEWED BY: **CHUCK**

SHEET: **D3**

WALL BRACING HAS BEEN DESIGNED IN ACCORDANCE WITH THE 2018 NCRC AND/OR THE 2018 IRC AS ALLOWED PER SECTION R602.10.

OUTSIDE ELEVATION



A PORTAL FRAME METHOD PFH DETAIL

SCALE: 3/8" = 1'-0"

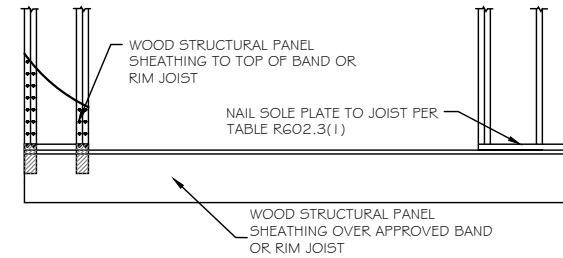
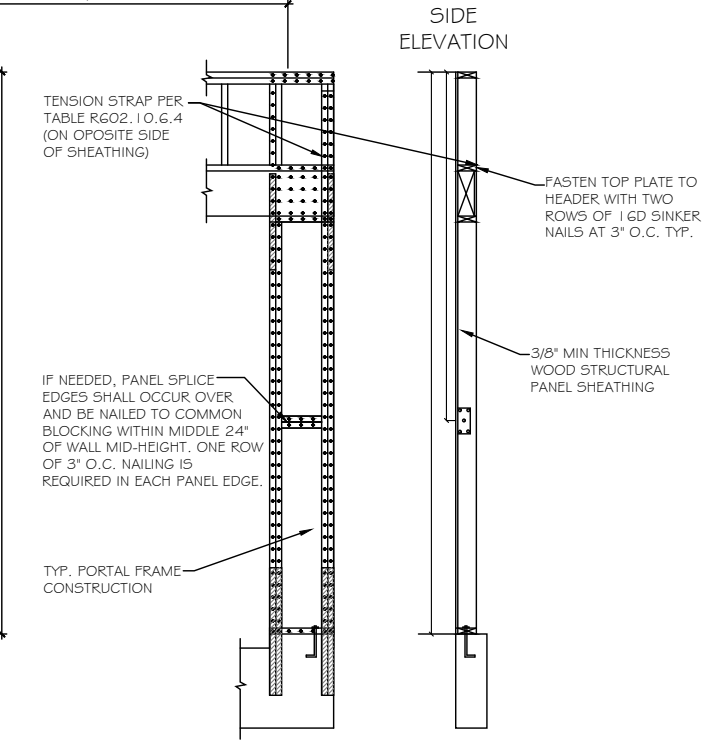
AS A SUBSTITUTE FOR THE USP STAD14 HOLD-DOWN STRAPS LOCATED ON EACH SIDE OF THE GARAGE DOOR OPENING, SIMPSON HDQ8-SD53 (OR USP PHD8) HOLD-DOWNS MAY BE INSTALLED. THE SIMPSON HDQ8-SD53 (USP PHD8) HOLD-DOWNS MAY BE INSTALLED WITH 7/8" THREADED ROD AND SHOULD BE EMBEDDED A MINIMUM OF 8" INTO THE CONCRETE FOOTING OR GROUTED CMU BLOCK WITH HIGH STRENGTH EPOXY. ADDITIONALLY, A 5/8" EXPANSION ANCHOR (6" MIN EMBEDMENT) OR 5/8" X 6" SIMPSON TITEN HD ANCHOR MAY BE INSTALLED AS A REPLACEMENT FOR THE 5/8" "WET SET" ANCHOR BOLT SHOWN IN THE PORTAL FRAMING WITH HOLD-DOWNS DETAIL.

PFH METHOD: PORTAL FRAME WITH HOLD-DOWNS GARAGE DOORS AND OPENINGS 6' TO 18'

USP CONVERSION CHART

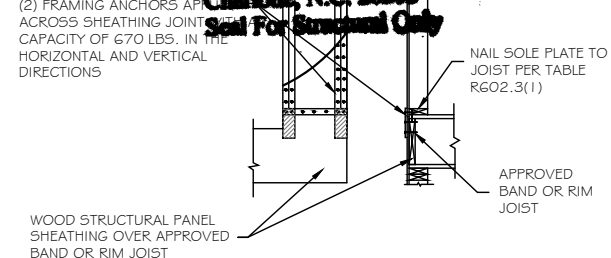
REF NO.	USP
ABA44Z	PA44E-TZ
BCS2-2/4	BC4010-TZ
C5-1G	R5150
DTT2Z-SD52.5	DTB-TZ
H2.5A	RT7
H2.5A	RT7A
L5-30	MP3
LSTA24	LSTA24
MASAZ	FA3-TZ
STHD14	STAD14
HHU5410	THD410
A24	TDL5
A21	JA1
LSU26	LS5H15-TZ
EPB44	EPB4408
BC6	C66
BC4	C44
LUS28-2	JUS28-2
LUS26	JUS26
ABAG6	PAG6E-TZ
CS22	RS-22R
HDU4-SD5	PHD4A
EPB66T	EPB6608
HDQ8-SD3Z	PHD8
LSTA36	LSTA36
A34	MP34

SIDE ELEVATION



A OVER RAISED WOOD FLOOR - FRAMING ANCHOR OPTION

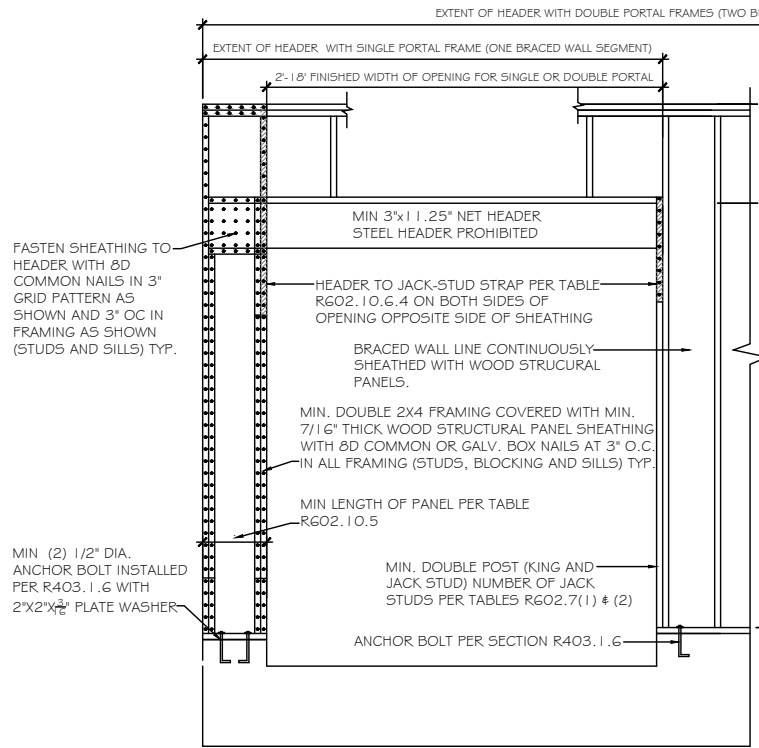
SCALE: 3/8" = 1'-0"
(WHEN PORTAL SHEATHING DOES NOT LAP OVER BAND OR RIM JOIST)



B OVER RAISED WOOD FLOOR - OVERLAP OPTION

SCALE: 3/8" = 1'-0"
(WHEN PORTAL SHEATHING LAPS OVER BAND OR RIM JOIST)

OUTSIDE ELEVATION

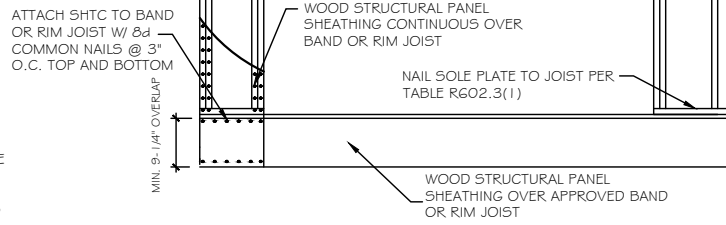
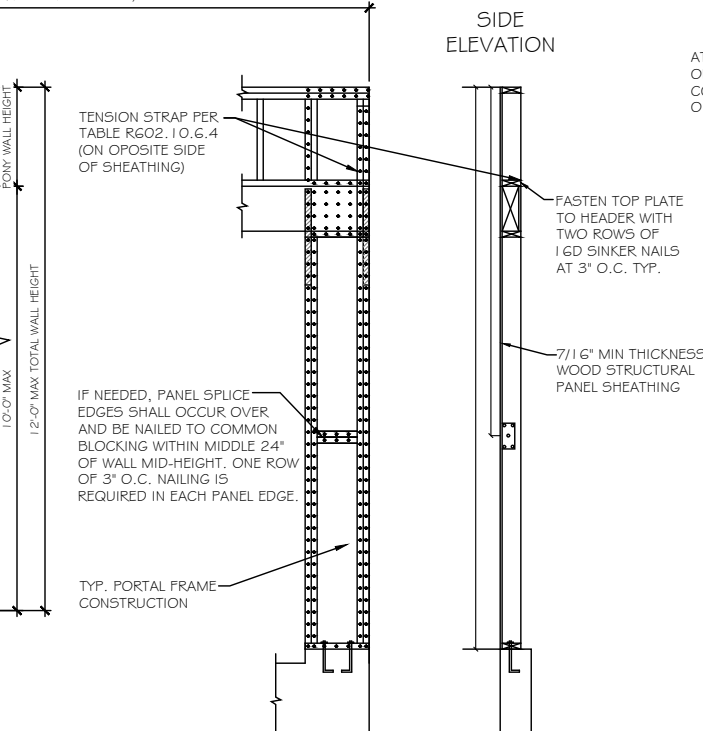


A PORTAL FRAME METHOD CS-PF DETAIL

SCALE: 3/8" = 1'-0"

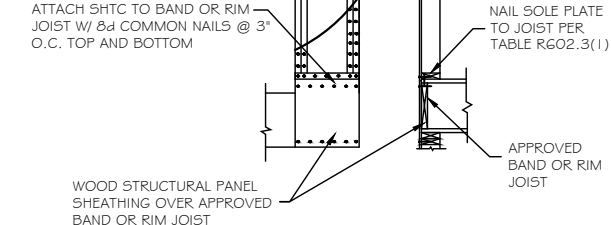
CS-PF METHOD: CONTINUOUSLY SHEATHED PORTAL FRAME-GARAGE DOOR GARAGE DOORS AND OPENINGS 6' AND GREATER

SIDE ELEVATION



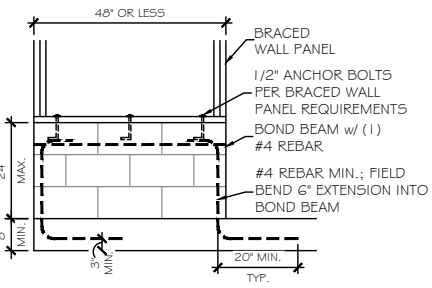
B OVER RAISED WOOD FLOOR - OVERLAP OPTION

SCALE: 3/8" = 1'-0"
(WHEN PORTAL SHEATHING LAPS OVER BAND OR RIM JOIST)



B OVER RAISED WOOD FLOOR - OVERLAP OPTION

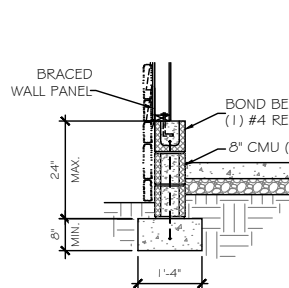
SCALE: 3/8" = 1'-0"
(WHEN PORTAL SHEATHING LAPS OVER BAND OR RIM JOIST)



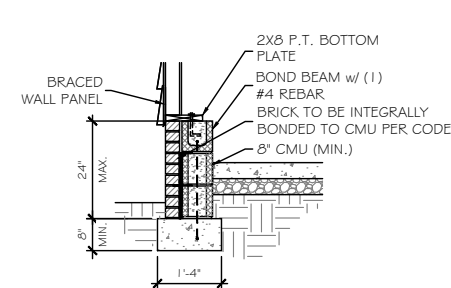
ELEVATION DETAIL

C MASONRY STEM WALL SUPPORTING BRACED WALL PANEL DETAILS

SCALE: 3/8" = 1'-0"

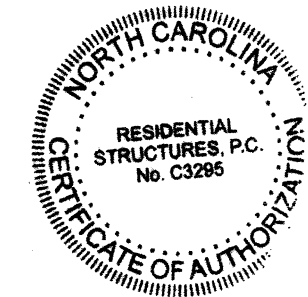


DETAIL @ SIDING / STONE



DETAIL @ BRICK

RESIDENTIAL STRUCTURES, P.C.
3410 N. Davidson St.
Charlotte, N.C. 28205
Seal For Structural Only



TrueHomes
IT'S ALL ABOUT U
2649 Breckridge Centre Dr.
Suite 104
Monroe, N.C. 28110
704-271-1191

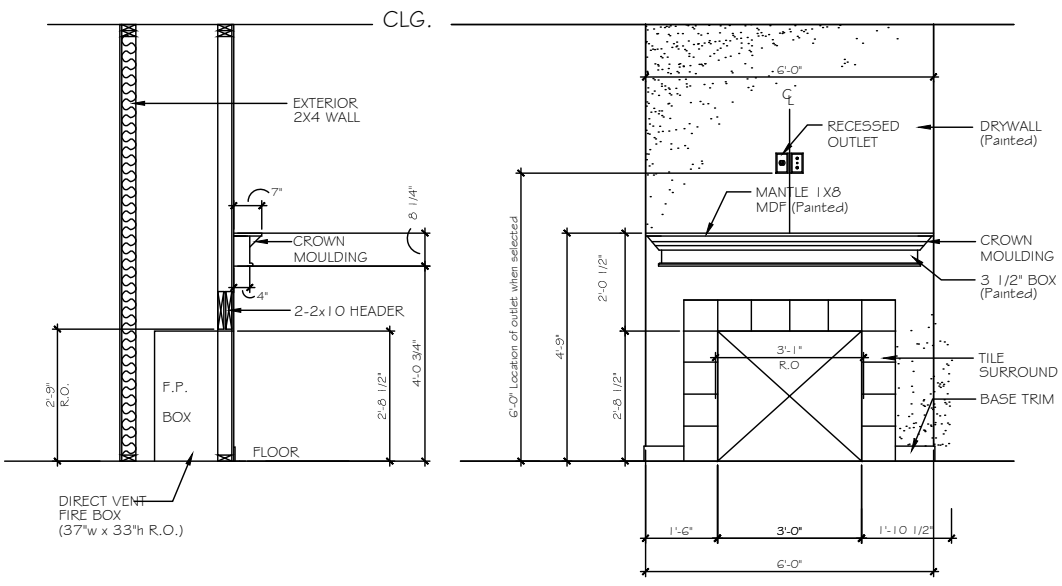
WALKER GROVE
LOT# 14

WARREN
PLAN # 3300
HARNETT

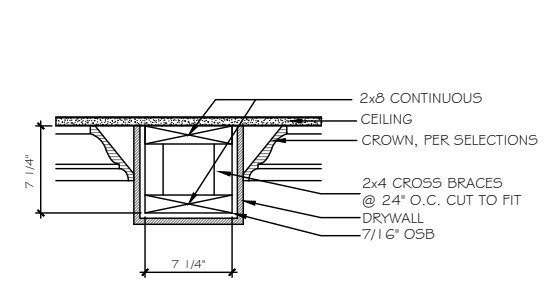
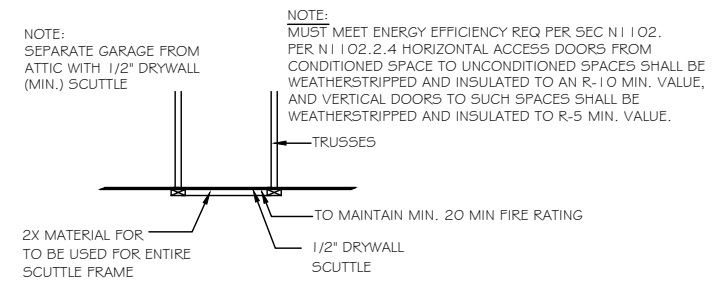
Copyright True Homes L.L.C. All rights reserved. The duplication, reproduction, copying, sale, rental, licensing, or any other distribution or use of these drawings, any portion thereof, or the plans depicted herein is strictly prohibited.
PREPARED BY: NICK
DATE: 6-21-21
SCALE: AS SHOWN
REVIEWED BY: CHUCK

SHEET: D4

PER 2018 I.R.C.
SHORT STEM WALL REINFORCEMENT

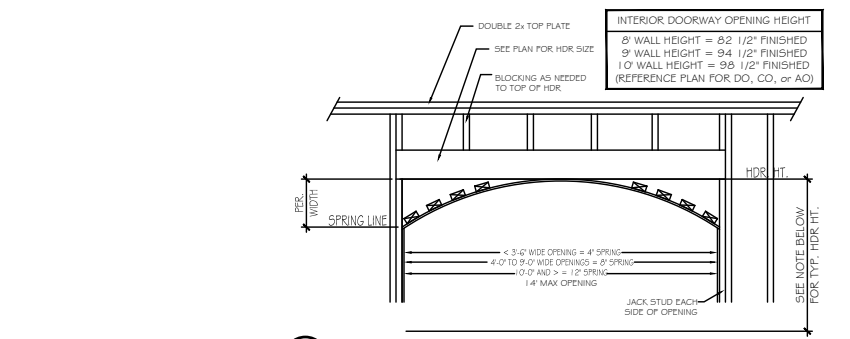


A FIREPLACE OPTION 1
SCALE: 3/8" = 1'-0"

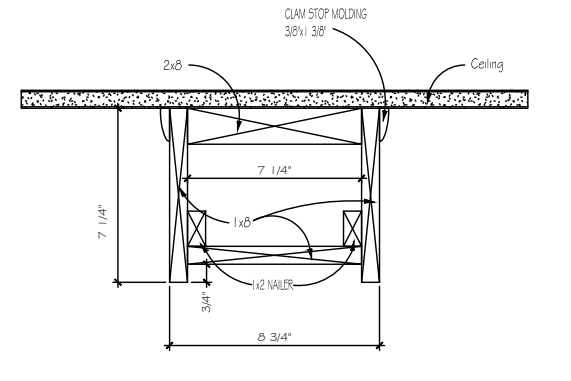


C 8" DRYWALL BEAM DETAIL - LIVING/DINING/STUDY
SCALE: N.T.S.

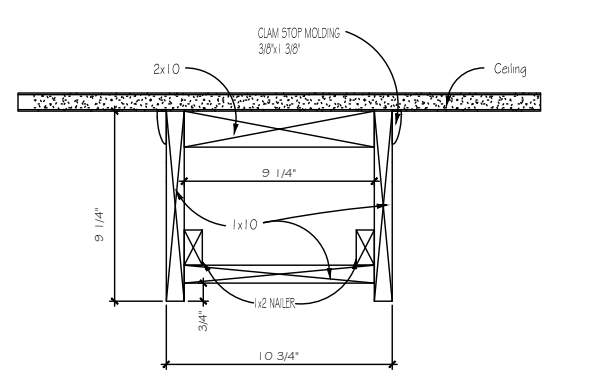
B ATTIC ACCESS PANEL DETAIL
SCALE: N.T.S.



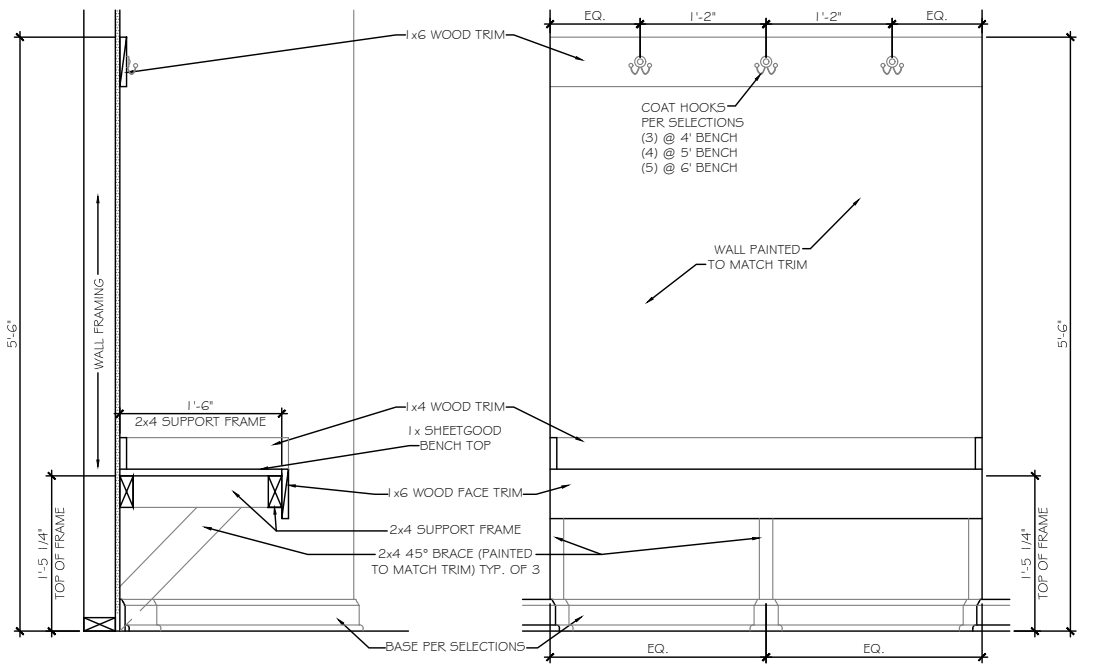
D ARCHED OPENING DETAIL
SCALE: 3/8" = 1'-0"



E 9" CEILING
*WOOD FAUX BEAMS KITCHEN/NOOK ONLY

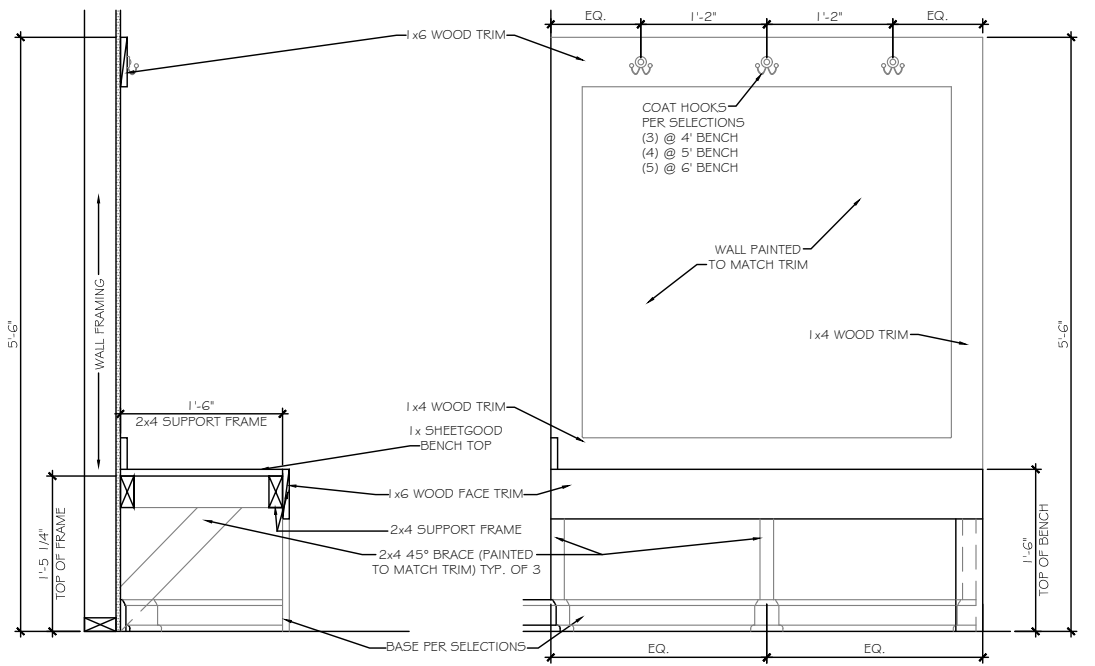
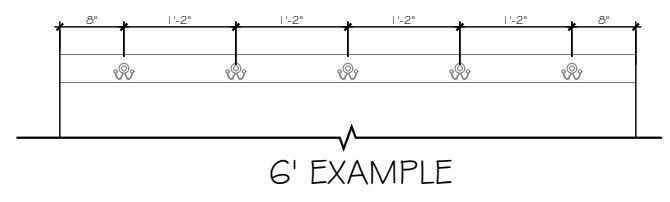
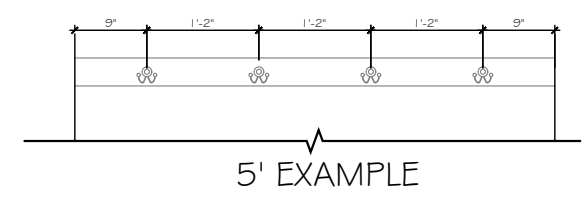


F 10" CEILING
*WOOD FAUX BEAMS KITCHEN/NOOK ONLY



SECTION AT OPEN BENCH
SCALE: NOT TO SCALE WALL END CONDITION

ELEVATION AT OPEN BENCH
SCALE: NOT TO SCALE WALL END CONDITION



SECTION AT OPEN BENCH
SCALE: NOT TO SCALE OPEN END CONDITION

ELEVATION AT OPEN BENCH
SCALE: NOT TO SCALE OPEN END CONDITION

TrueHomes
IT'S ALL ABOUT U
2649 Breckridge Centre Dr.
Suite 104
Monroe, N.C. 28110
704-271-1191

WALKER GROVE
LOT# 14

WARREN
PLAN # 3300
HARNETT

Copyright True Homes L.L.C. All rights reserved. The duplication, reproduction, copying, sale, rental, licensing, or any other distribution or use of these drawings, any portion thereof, or the plans depicted herein is strictly prohibited.

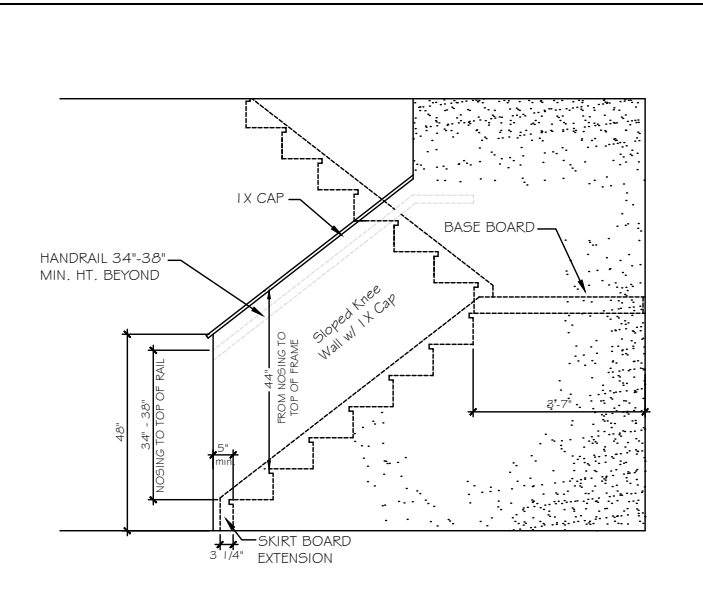
PREPARED BY:
NICK

DATE:
6-21-21

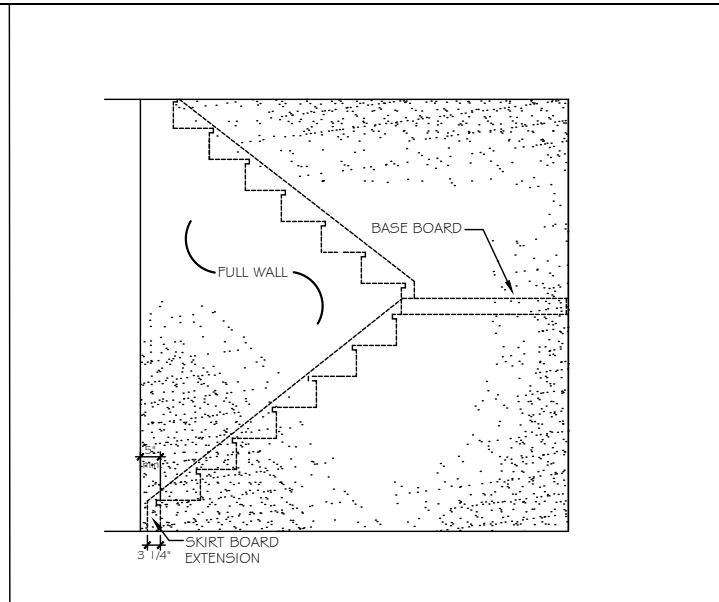
SCALE:
AS SHOWN

REVIEWED BY:
CHUCK

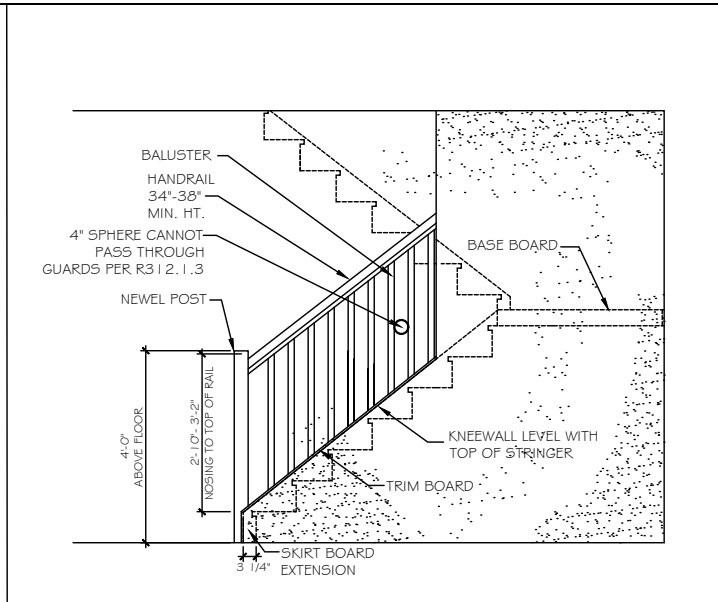
SHEET:
D5



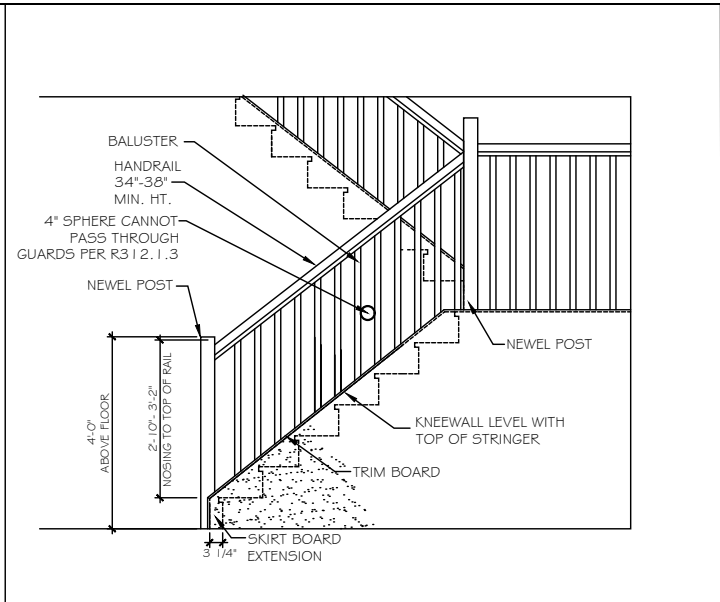
ST-1 48° SLOPED WALL w/ 1x CAP



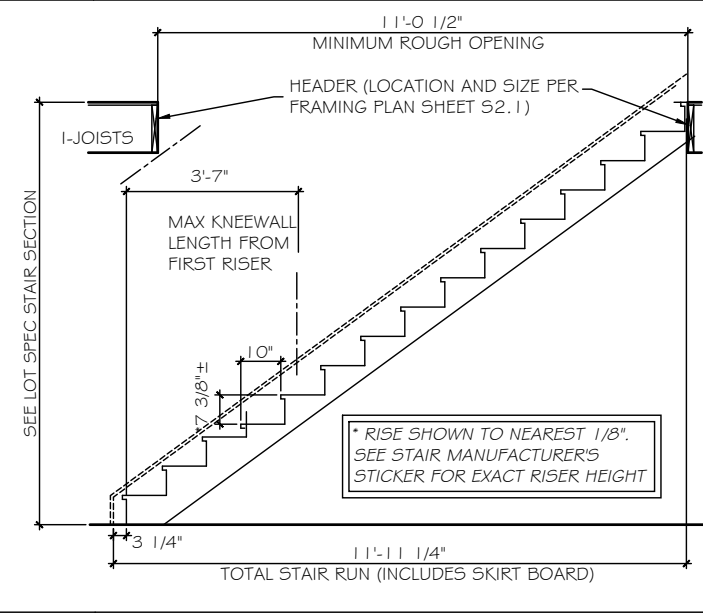
ST-2 FULL WALL



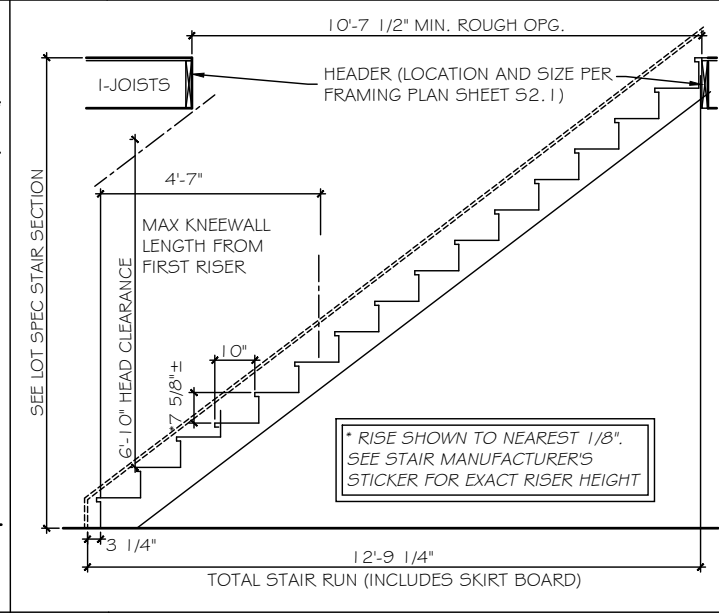
ST-3 OPT. OPEN RAIL



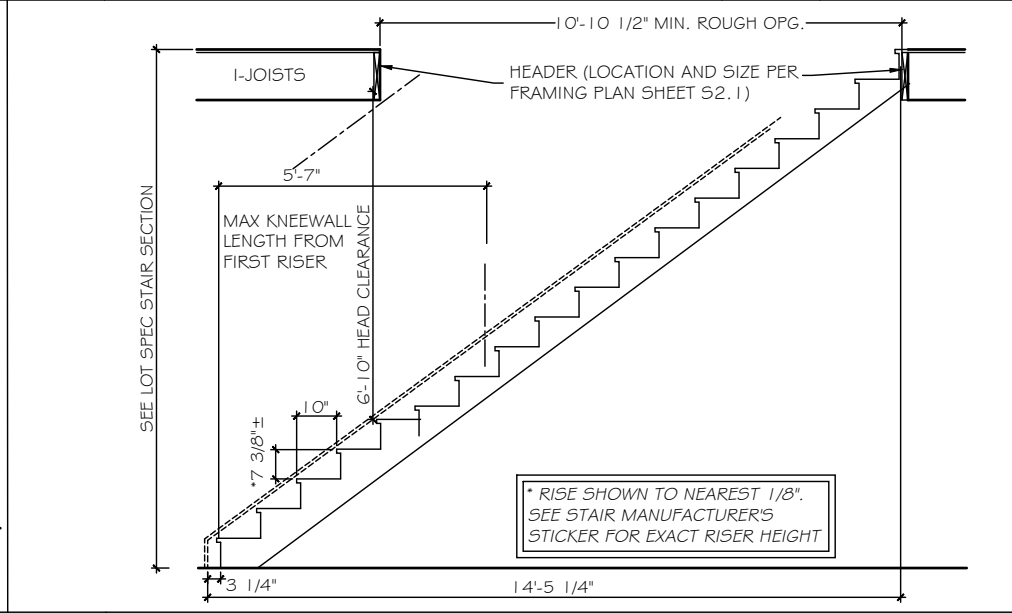
ST-4 OPT. OPEN RAIL FULL STAIR



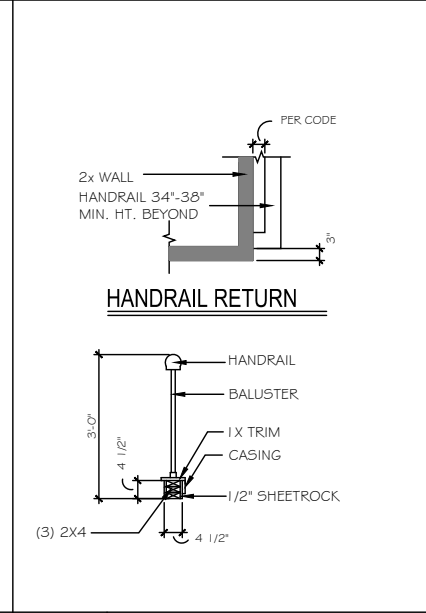
ST-5 STRAIGHT STAIR SECTION - 8ft CEILING HEIGHT w/ 11 7/8\"/>



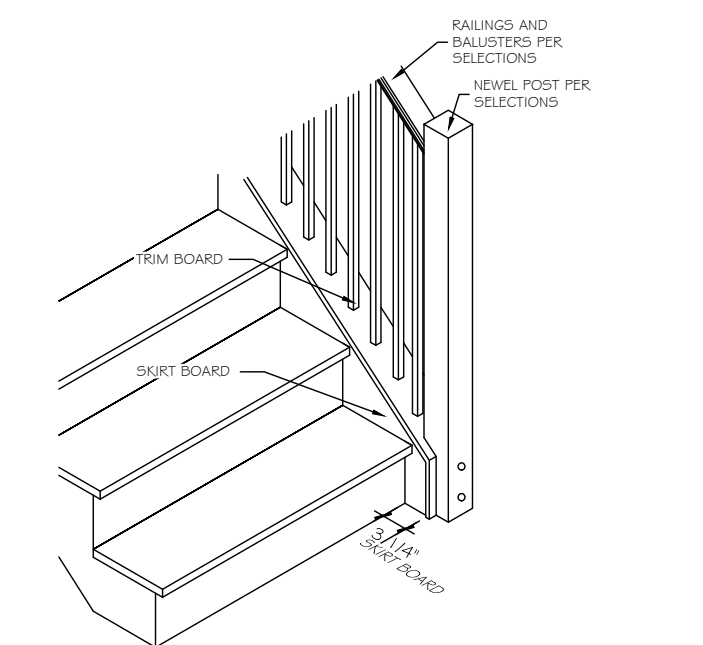
ST-6 STRAIGHT STAIR SECTION - 9ft CEILING HEIGHT w/ 11 7/8\"/>



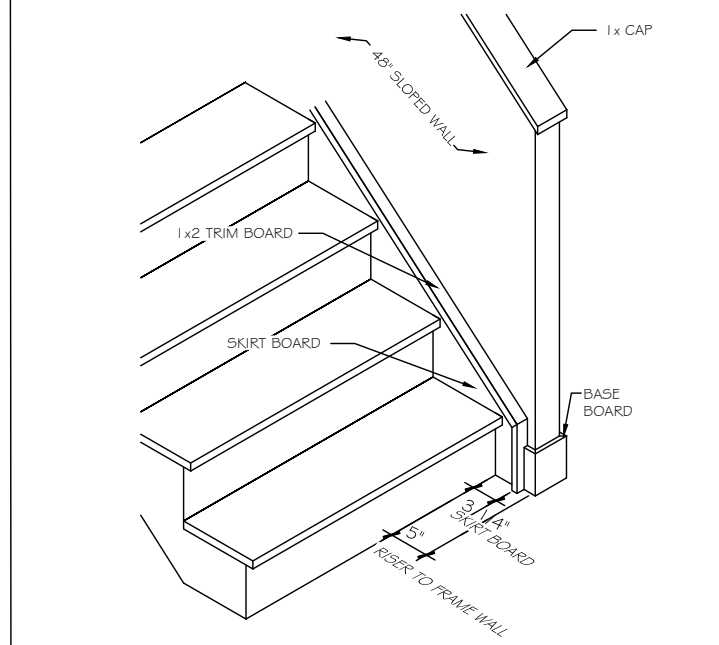
ST-7 STRAIGHT STAIR SECTION - 10ft CEILING HEIGHT w/ 11 7/8\"/>



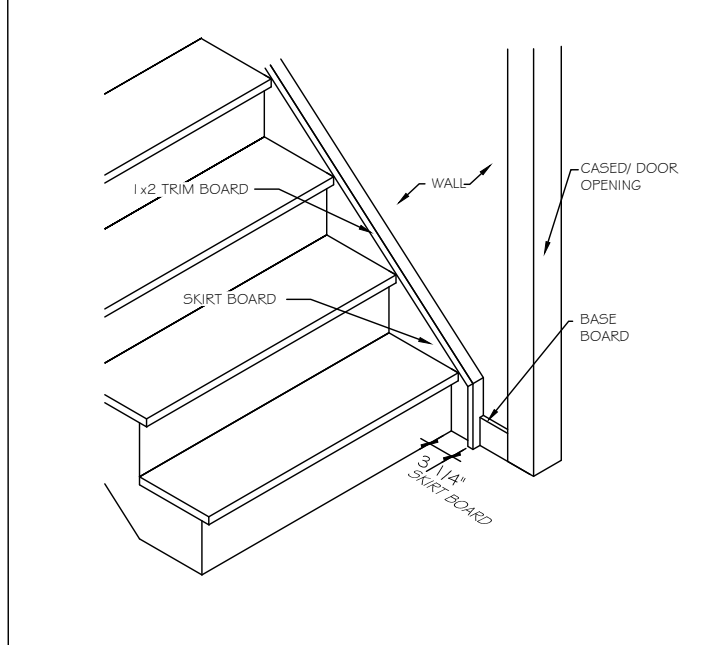
ST-8 HANDRAILS



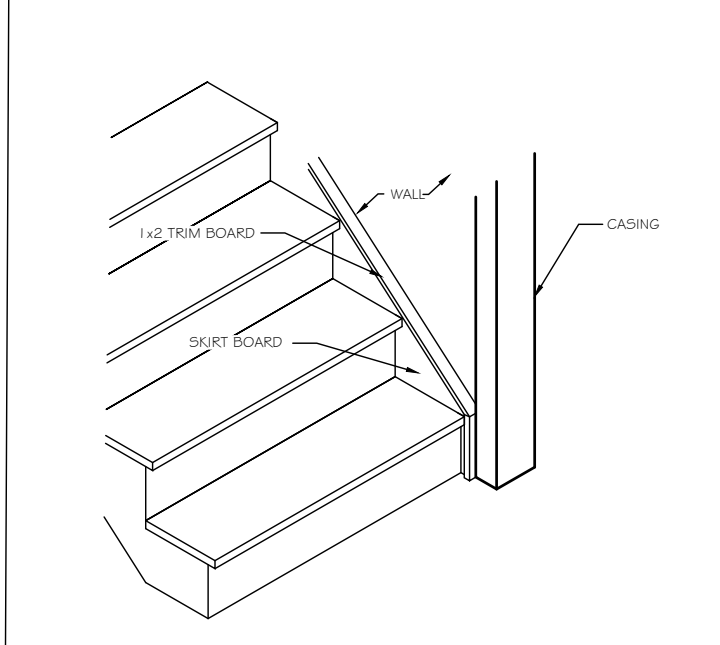
ST-9 OPT. OPEN RAIL - ISO



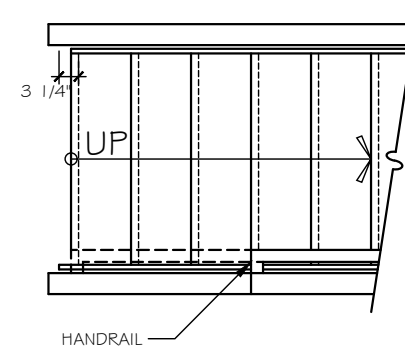
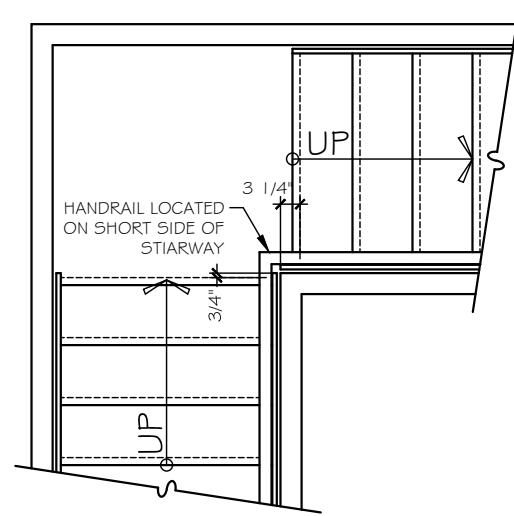
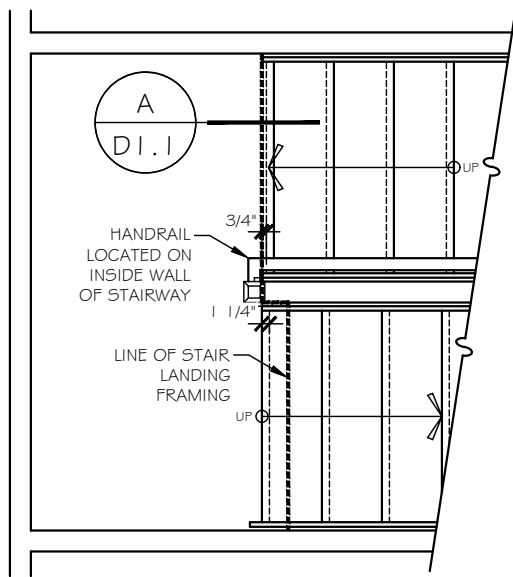
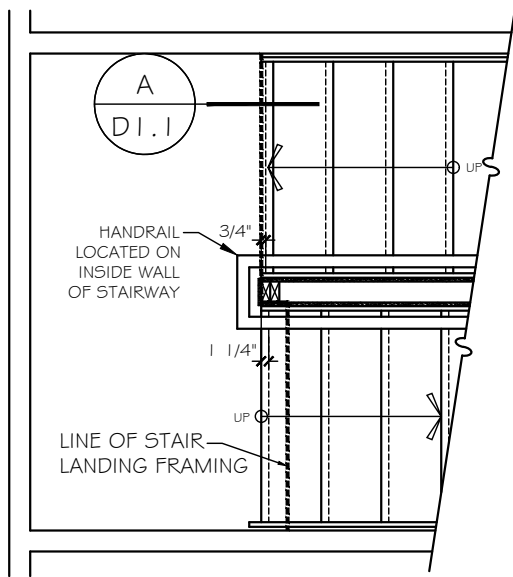
ST-10 48° SLOPED WALL w/ 1x CAP - ISO



ST-11 STAIRS @ CASED OPENING - ISO



ST-12 TRIM SKIRT BOARD @ CASED OPENING



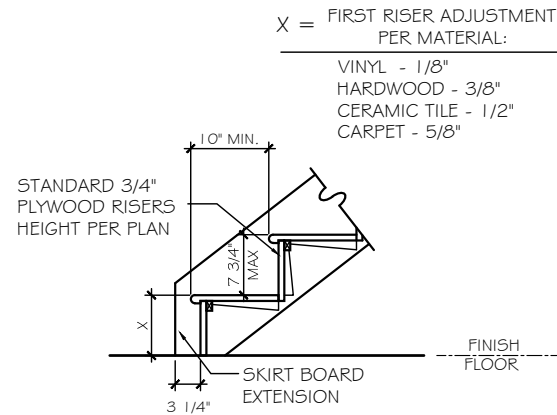
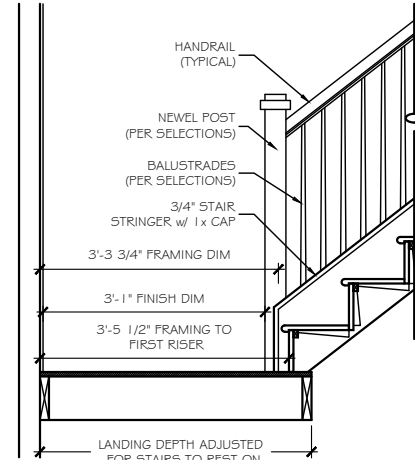
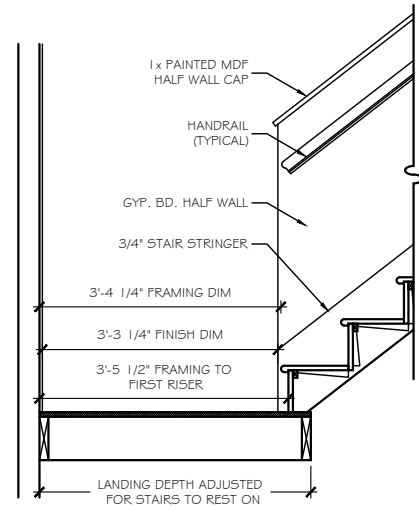
FOR STRAIGHT RUN STAIRWAYS WITHOUT AN INTERMEDIATE LANDING BETWEEN FLOORS, THE HANDRAIL SHOULD BE LOCATED ON THE SAME SIDE AS A FIRST FLOOR HALF WALL OR OPEN RAIL; IF BOTH SIDES HAVE A FIRST FLOOR HALF WALL OR OPEN RAIL, OR IF NONE EXIST, LOCATE THE HANDRAIL ON THE RIGHT SIDE OF THE STAIRWAY

ST-13 STAIR LANDING HALF WALL w/ CAP

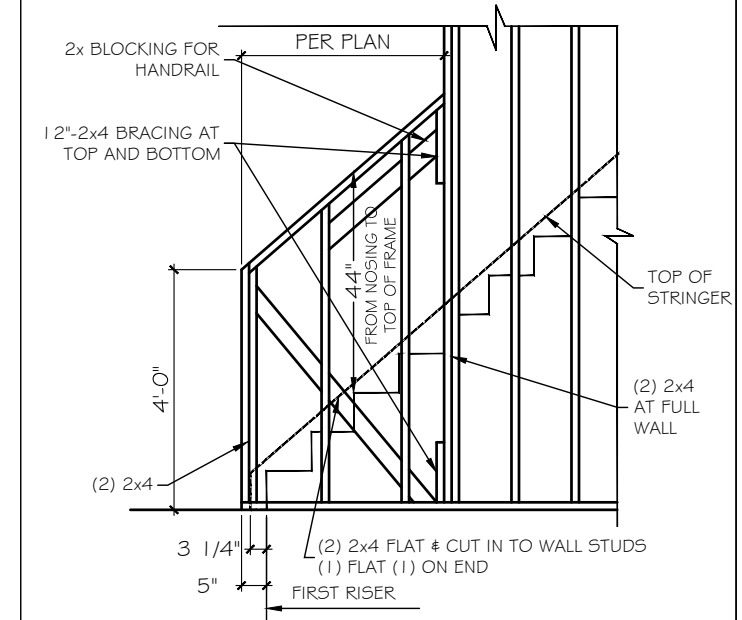
ST-14 STAIR LANDING NEWEL POST & BALUSTRADES

ST-15 STAIR LANDING FULL WALL

ST-15a STAIR w/o INTERMEDIATE LANDING



X = FIRST RISER ADJUSTMENT PER MATERIAL:
 VINYL - 1/8"
 HARDWOOD - 3/8"
 CERAMIC TILE - 1/2"
 CARPET - 5/8"

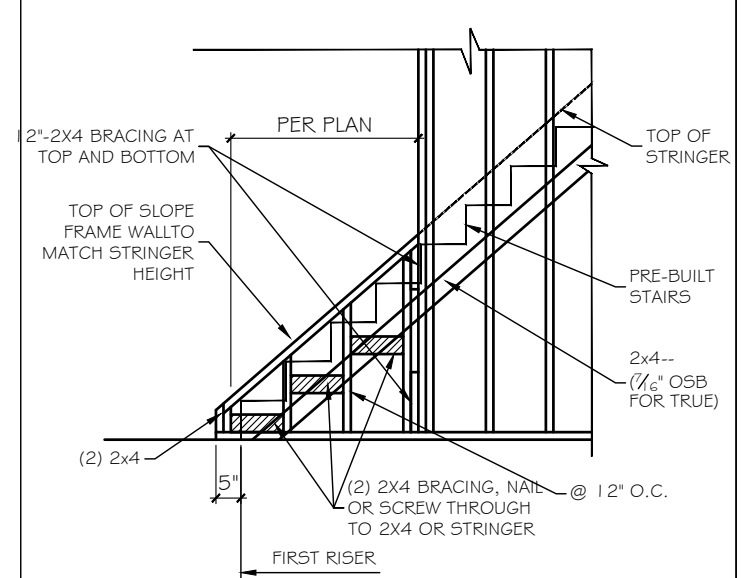
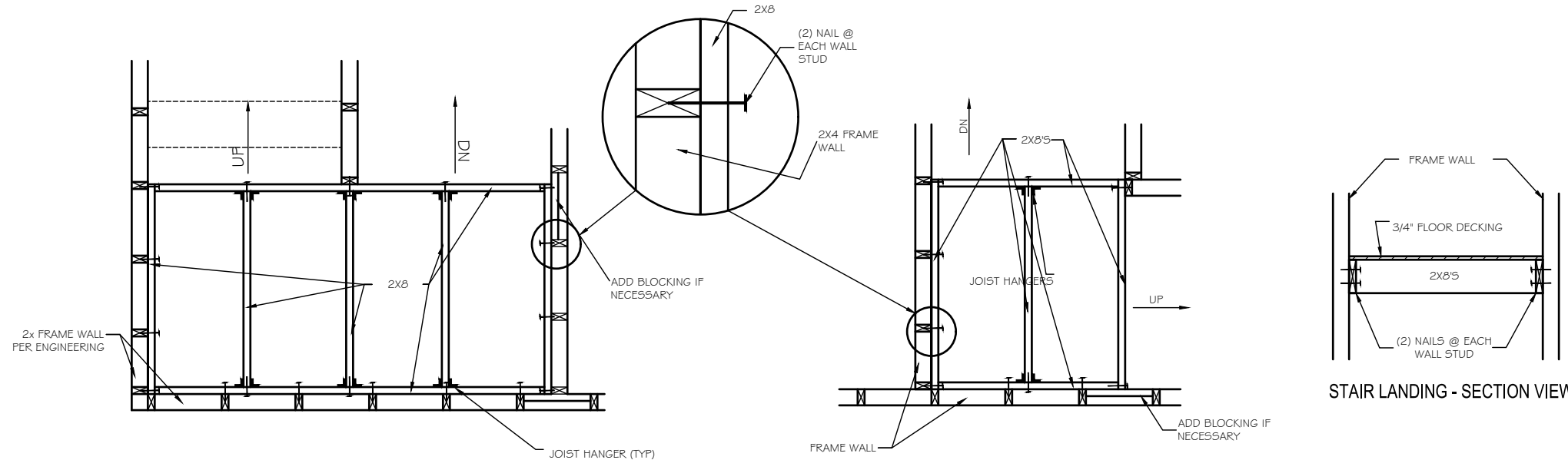


ST-17 SECTION A- SLOPED WALL

ST-18 SECTION A- OPEN RAIL

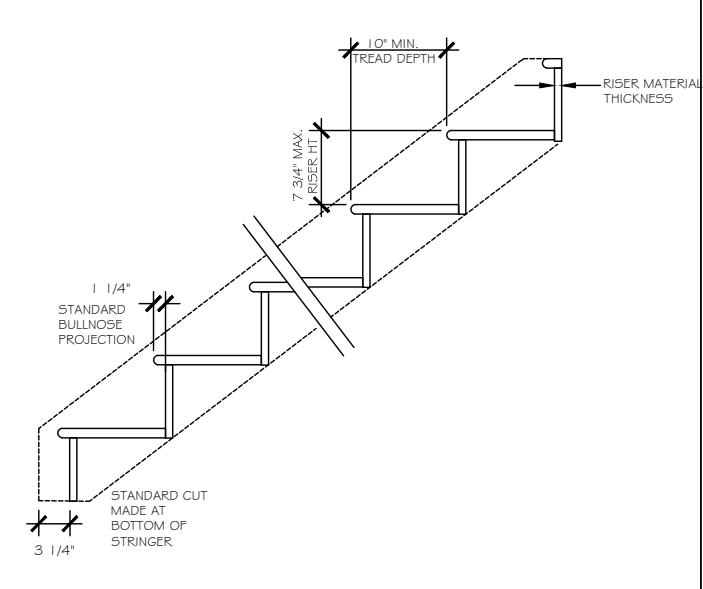
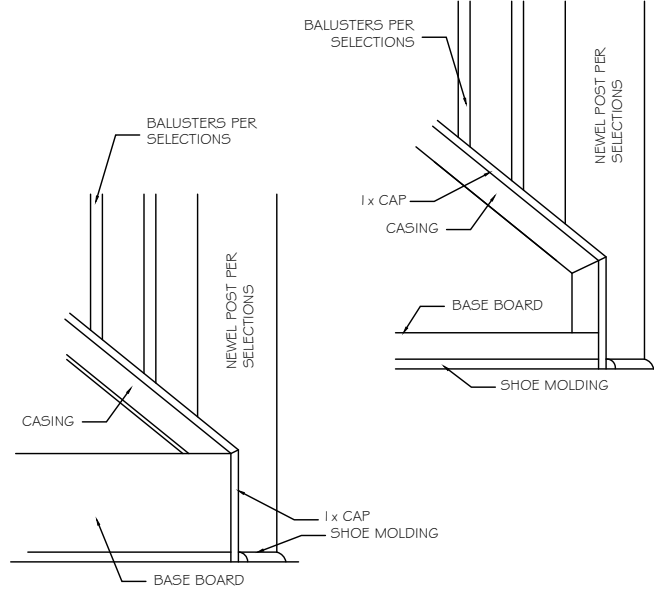
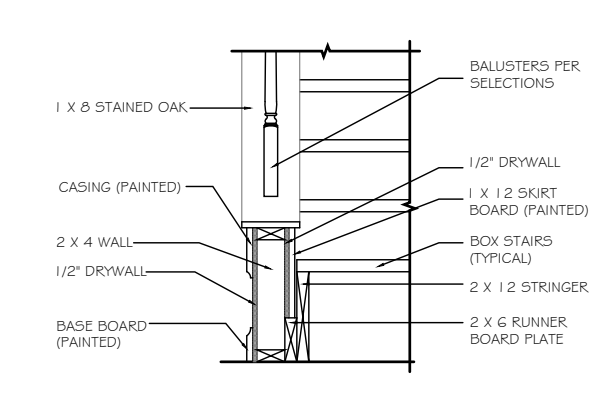
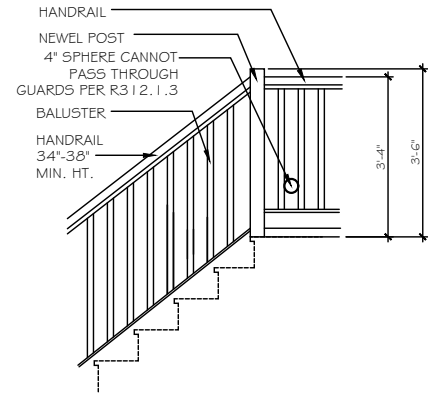
ST-19 STAIR SECTION - FIRST FLOOR

ST-16 SLOPED WALL @ STAIRS - FRAMING



ST-21 STAIR LANDING - PLAN VIEW

ST-20 OPEN RAIL - CURB WALL FRAMING

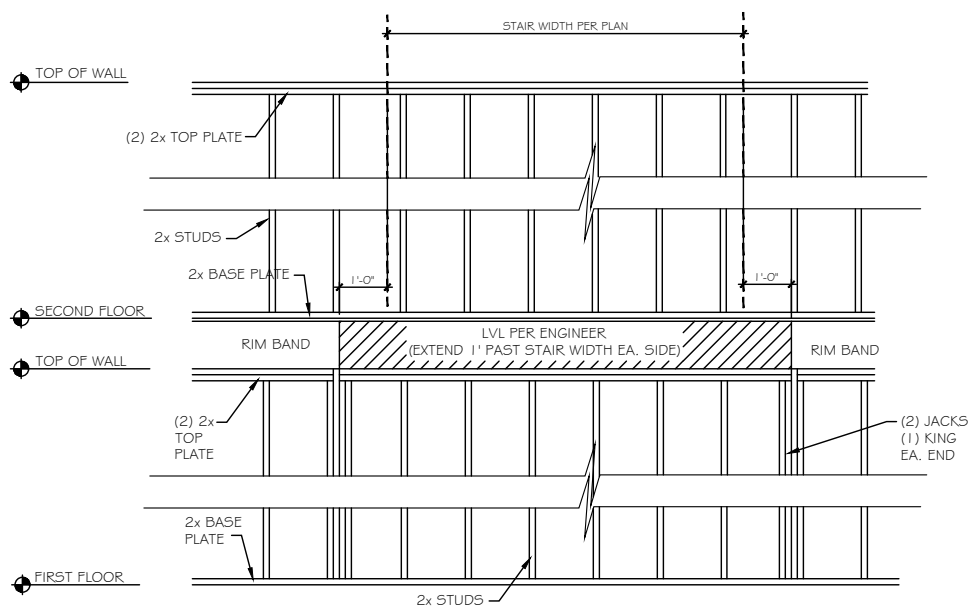
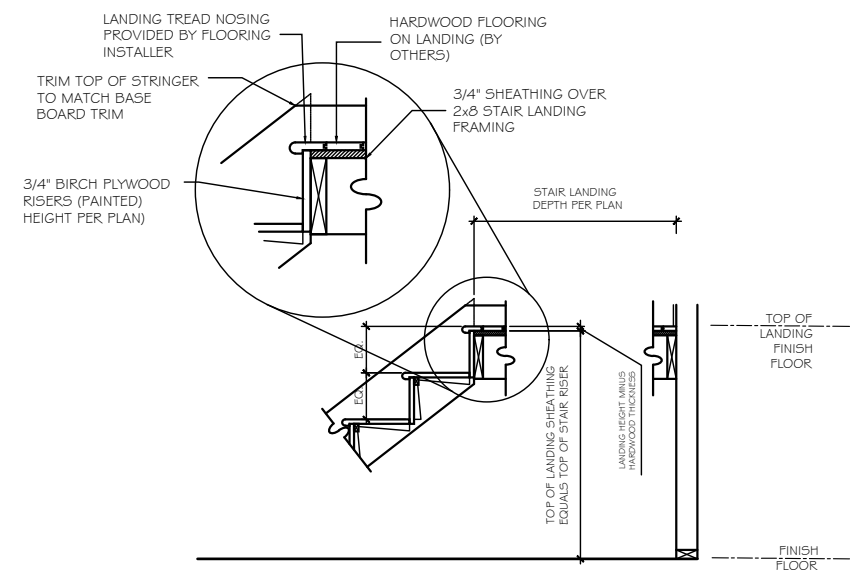


ST-23 OPT. OPEN RAIL AT LANDING

ST-24 SECTION @ CURB WALL

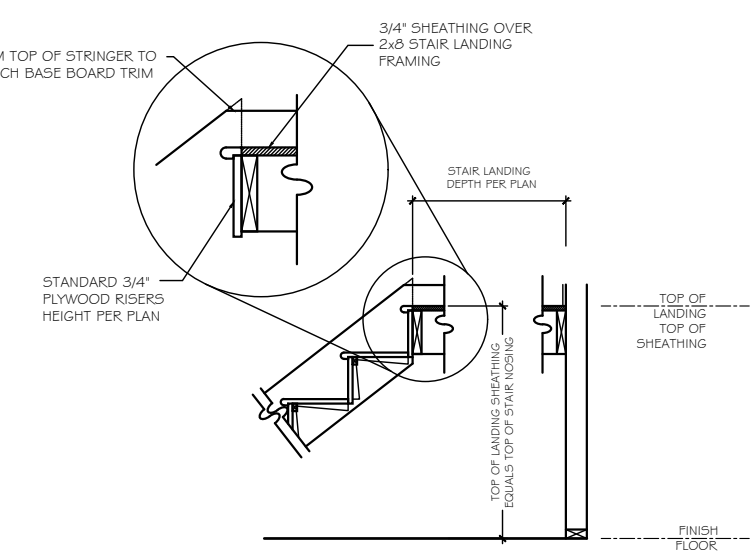
ST-25 OUTSIDE TRIM @ STAIR CURB WALL

STAIR SECTION



ST-26 STAIR SECTION - HARDWOOD STAIRS AND LANDING

ST-28 EXTERIOR WALL FRAMING @ U-SHAPED STAIRS in BALLOON FRAMING



ST-27 STAIR SECTION - CARPET STAIRS AND LANDING

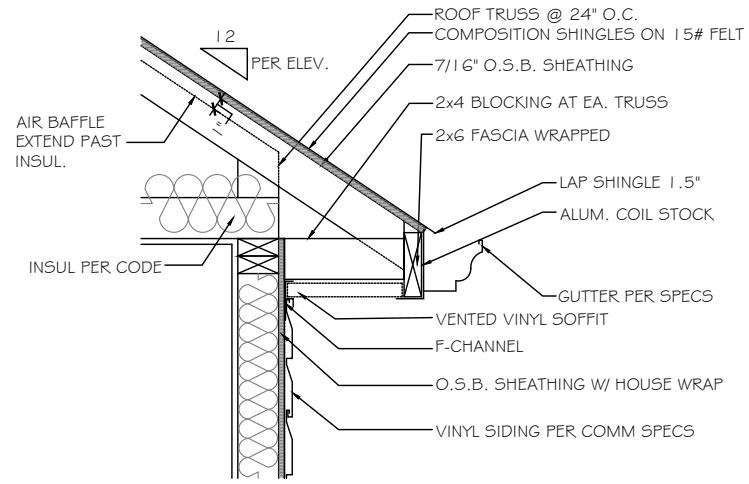
TrueHomes
 IT'S ALL ABOUT U
 2649 Breckridge Centre Dr.
 Suite 104
 Monroe, N.C. 28110
 704-271-1191

WALKER GROVE
 LOT# 14

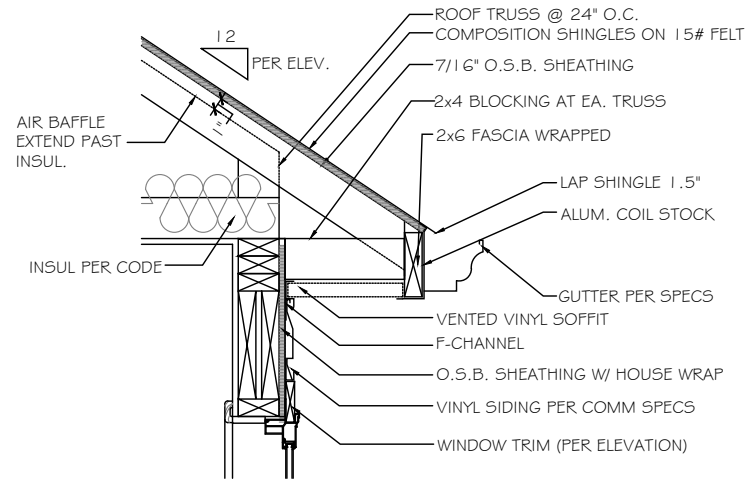
WARREN
 PLAN # 3300
 HARNETT

Copyright True Homes L.L.C. All rights reserved. The duplication, reproduction, copying, sale, rental, licensing, or any other distribution or use of these drawings, any portion thereof, or the plans depicted hereon is strictly prohibited.
 PREPARED BY:
 NICK
 DATE:
 6-21-21
 SCALE:
 AS SHOWN
 REVIEWED BY:
 CHUCK

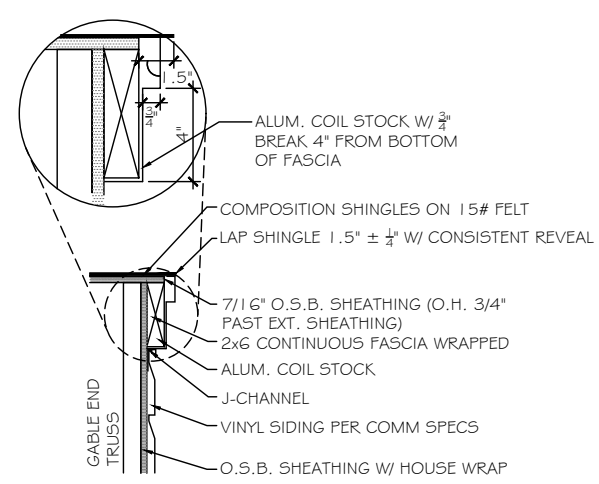
SHEET:
D5.3



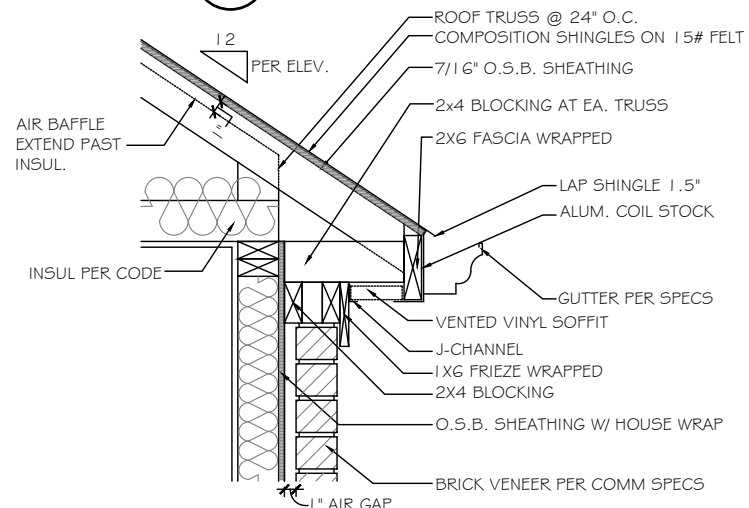
A CORNICE DETAIL - VINYL/VINYL
SCALE: NOT TO SCALE SIDES & REAR



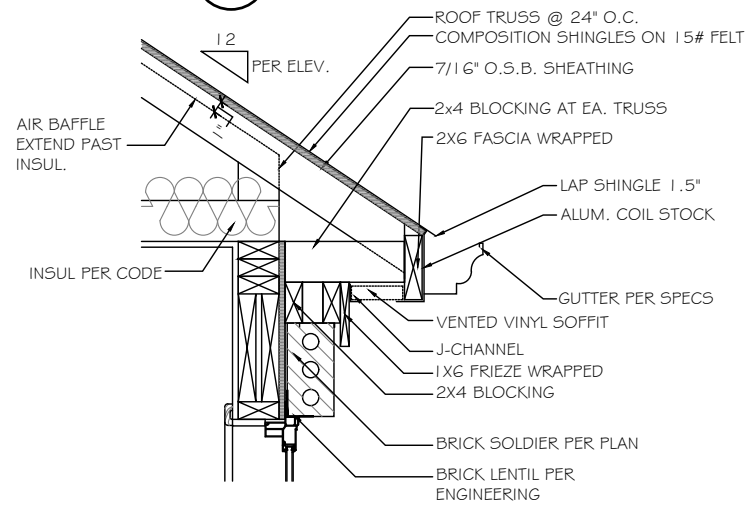
B CORNICE DETAIL - VINYL/VINYL
SCALE: NOT TO SCALE OVER WINDOW



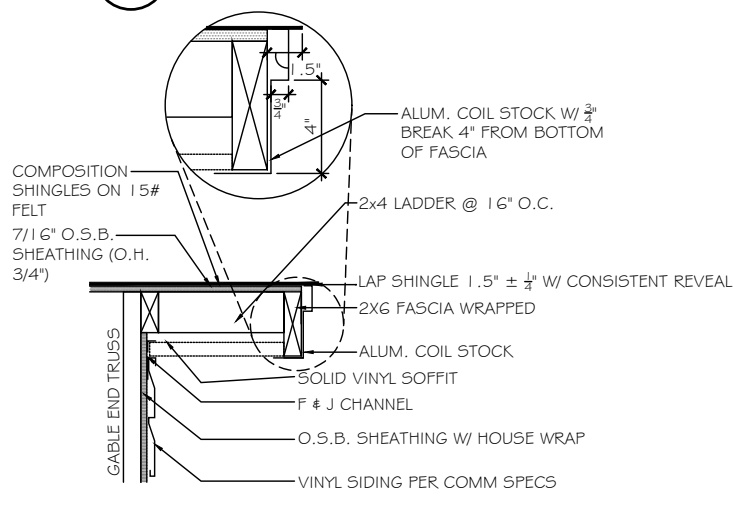
C FLUSH RAKE DETAIL - VINYL/VINYL
SCALE: NOT TO SCALE GABLE END



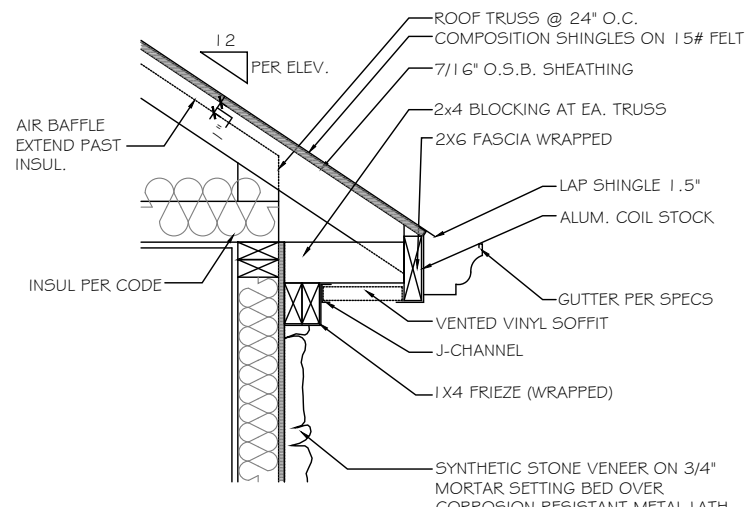
D BRICK CORNICE DETAIL - VINYL/VINYL
SCALE: NOT TO SCALE FRONT



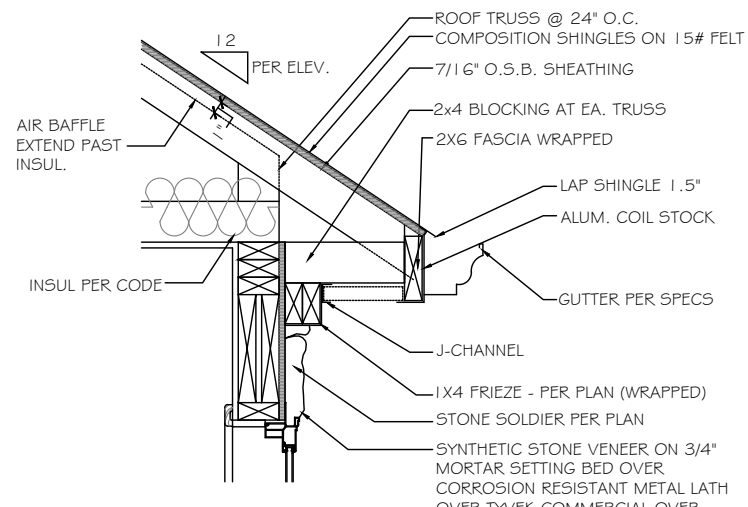
E BRICK CORNICE DETAIL - VINYL/VINYL
SCALE: NOT TO SCALE OVER WINDOW



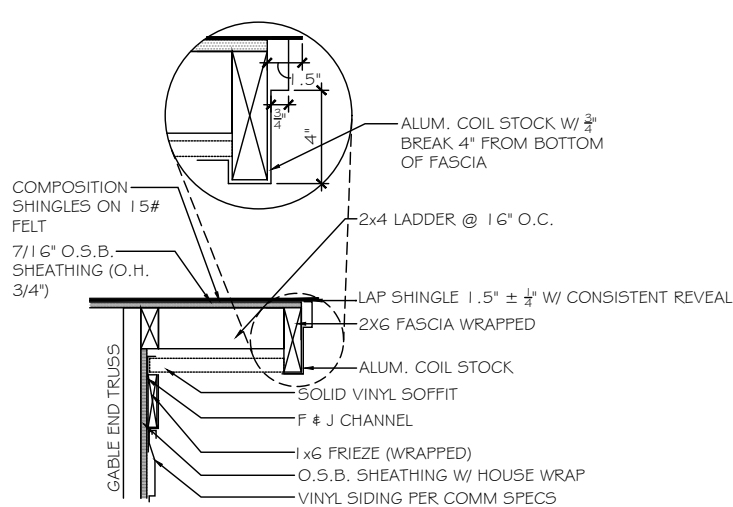
F RAKE OVERHANG DETAIL - VINYL/VINYL
SCALE: NOT TO SCALE GABLE END SIDE



G STONE CORNICE DETAIL - VINYL/VINYL
SCALE: NOT TO SCALE FRONT & REAR



H STONE CORNICE DETAIL - VINYL/VINYL
SCALE: NOT TO SCALE OVER WINDOW



J RAKE OVERHANG DETAIL w/ FRIEZE - VINYL/VINYL
SCALE: NOT TO SCALE FRONT

TrueHomes
IT'S ALL ABOUT U
2649 Breckridge Centre Dr.
Suite 104
Monroe, N.C. 28110
704-271-1191

WALKER GROVE
LOT# 14

WARREN
PLAN # 3300

HARNETT

Copyright True Homes L.L.C. All rights reserved. The duplication, reproduction, copying, sale, rental, licensing, or any other distribution or use of these drawings, any portion thereof, or the plans depicted hereon is strictly prohibited.
PREPARED BY:
NICK
DATE:
6-21-21
SCALE:
AS SHOWN
REVIEWED BY:
CHUCK

SHEET:
D9

