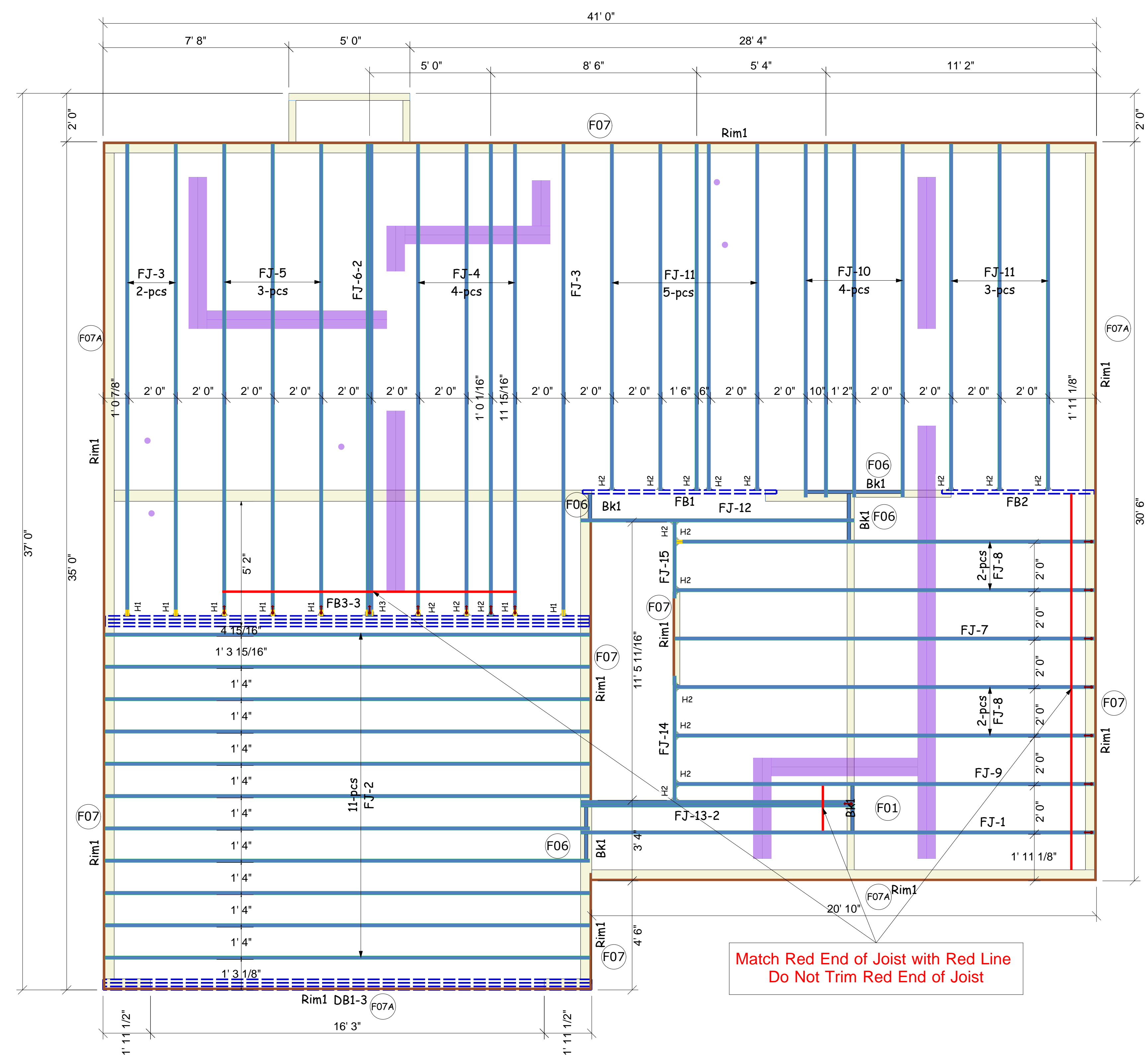


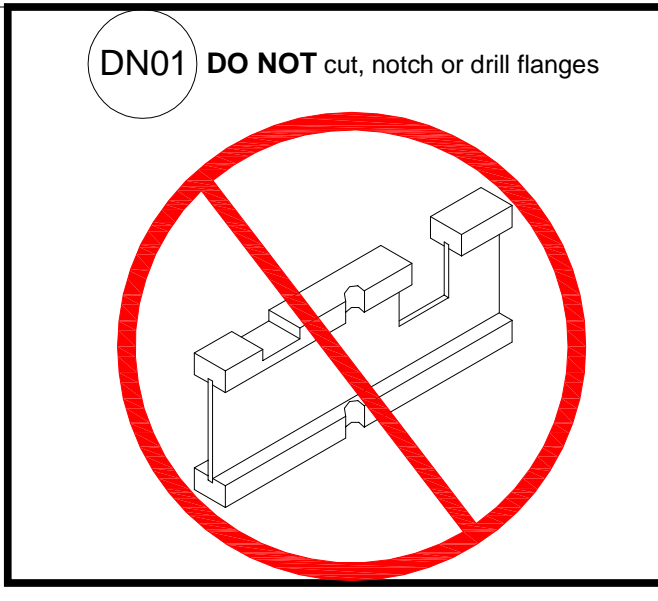
Net Qty	Plies	Product	Length	PlotID
1	1	14" BCI@ 4500s-1.8	21' 2 1/2"	FJ-1
11	1	14" BCI@ 4500s-1.8	20' 0"	FJ-2
3	1	14" BCI@ 4500s-1.8	19' 5 3/4"	FJ-3
4	1	14" BCI@ 4500s-1.8	19' 5 3/4"	FJ-4
3	1	14" BCI@ 4500s-1.8	19' 5 3/4"	FJ-5
2	2	14" BCI@ 4500s-1.8	19' 5 3/4"	FJ-6-2
1	1	14" BCI@ 4500s-1.8	17' 4"	FJ-7
4	1	14" BCI@ 4500s-1.8	17' 3 1/4"	FJ-8
1	1	14" BCI@ 4500s-1.8	17' 3 1/4"	FJ-9
4	1	14" BCI@ 4500s-1.8	14' 7"	FJ-10
8	1	14" BCI@ 4500s-1.8	14' 3 1/2"	FJ-11
1	1	14" BCI@ 4500s-1.8	11' 3 1/2"	FJ-12
2	2	14" BCI@ 4500s-1.8	11' 3 1/2"	FJ-13-2
1	1	14" BCI@ 4500s-1.8	5' 1 1/2"	FJ-14
1	1	14" BCI@ 4500s-1.8	3' 1 3/4"	FJ-15
3	3	1-3/4" x 11-7/8" VERSA-LAM@ 2.0 3100 SP	21' 0"	DB1-3
1	1	1-3/4" x 14" VERSA-LAM@ 2.0 3100 SP	8' 0"	FB1
1	1	1-3/4" x 14" VERSA-LAM@ 2.0 3100 SP	7' 0"	FB2
3	3	1-3/4" x 18" VERSA-LAM@ 2.0 3100 SP	20' 0"	FB3-3
14	1	1" x 14" BC RIM BOARD OSB	12' 0"	Rim1
5	1	14" BCI@ 4500s-1.8	2' 0"	Bk1

Hangers			
Product	Manuf	Qty	PlotID
HU 14	Simpson	7	H1
IUS 1.81/14	Simpson	18	H2
MIU 3.56/14	Simpson	1	H3

TOPSAIL
SEAL DATE 10-26-17
2nd FLOOR I-JOIST LAYOUT



Match Red End of Joist with Red Line
Do Not Trim Red End of Joist



This layout and associated materials list has been prepared based on project plans and/or information provided to Builders FirstSource (BFS). It remains the responsibility of the builder, architect, designer, or other responsible persons to review this information to assure that it is appropriate, accurate, complete and complies with applicable building codes.

- GENERAL NOTES:**
- 1.) READ THE INSTALLATION GUIDE BEFORE FRAMING.
 - 2.) ALL WALLS SHOWN ARE LOAD BEARING UNLESS NOTED OTHERWISE. WALLS NOT SHOWN ARE CONSIDERED NON-LOAD BEARING.
 - 3.) UNLESS STATED OTHERWISE ALL CEILING & ROOF LOADS BRACE DIRECTLY TO LOAD BEARING WALLS SUPPORTED BY FOUNDATION.
 - 4.) CONTACT BUILDERS FIRSTSOURCE BEFORE MAKING ANY ALTERATIONS OR ADJUSTMENTS...FAILURE TO DO SO MAY RESULT IN COSTLY REPAIRS.

H & H HOMES

TOPSAIL - SWP-195

2nd FLOOR EWP PLACEMENT PLAN

Builders FirstSource, Central Carolina Markets

DRAWN BY: CORY D DRIETZ DATE: 26DEC17

SCALE: NOT TO SCALE JOB NUMBER:

MINIMUM DESIGN DATA

LIVE LOAD 40 PSF
DEAD LOAD 10 PSF

TOTAL LOAD 50 PSF

DOL = 100%

DEFLECTION CRITERIA
L/480 (MINIMUM)

ARCHITECTURAL PLAN DATE
XX-XX-XX

REVISED ARCH. PLAN DATE