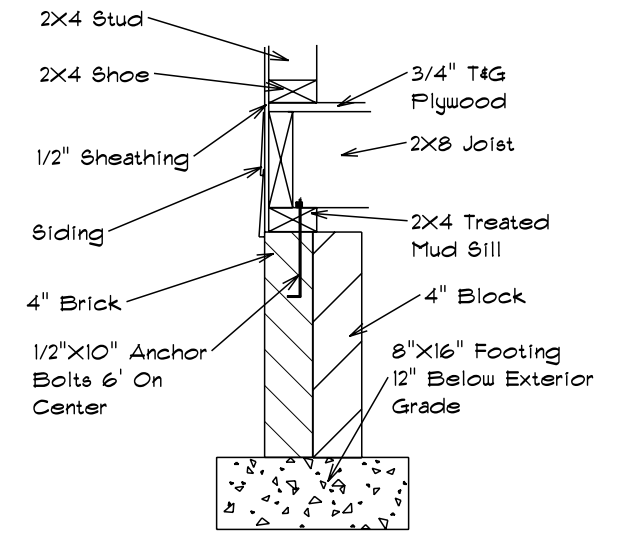
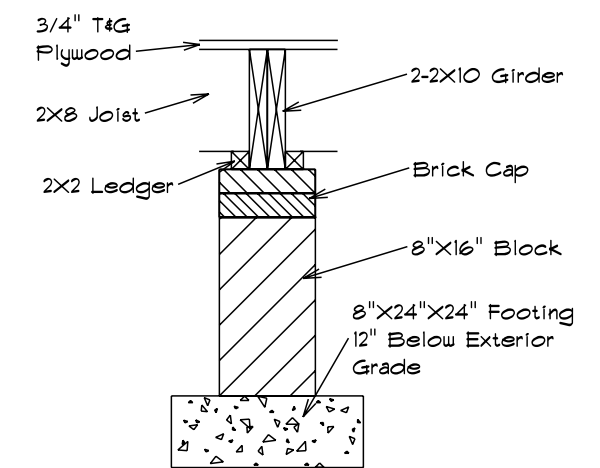


Foundation Detail



Footing & Pier Detail



FOUNDATION VENTILATION

1625 Sq.Ft. Foundation Area
 Requires 10.83 Sq.Ft. Ventilation.
 With 6 Mil. Poly, Plans Indicate
 Vents For Adequate Cross
 Ventilation.

Foundation Plan

Scale: 1/4" = 1'-0"

DATE: Wednesday, June 30, 2021

REVISED

DRAWING*

SCALE: 1/4"

DRAWN BY

APPROVED

Lot# 1134 Anderson Creek

The Echo Lake